

**Operator's manual Manuel d'utilisation**  
**Manual de instrucciones**  
**PP 455 E**

Please read the operator's manual carefully and make sure you understand the instructions before using the machine.

Lire attentivement et bien assimiler le manuel d'utilisation avant d'utiliser la machine.

Lea detenidamente el manual de instrucciones y asegúrese de entender su contenido antes de utilizar la máquina.



**US CA ES**

# KEY TO SYMBOLS

## Symbols on the machine

**WARNING!** The machine can be a dangerous tool if used incorrectly or carelessly, which can cause serious or fatal injury to the operator or others.

Please read the operator's manual carefully and make sure you understand the instructions before using the machine.

Always wear:

- Approved protective helmet
- Approved hearing protection
- Protective goggles or a visor
- Breathing mask

**WARNING!** Live parts.

### Environmental marking.

Symbols on the product or its packaging indicate that this product cannot be handled as domestic waste. It must instead be submitted to an appropriate recycling station for the recovery of electrical and electronic equipment.

By ensuring that this product is taken care of correctly, you can help to counteract the potential negative impact on the environment and people that can otherwise result through the incorrect waste management of this product.

For more detailed information about recycling this product, contact your municipality, your domestic waste service or the shop from where you purchased the product.



## Explanation of warning levels

The warnings are graded in three levels.

### WARNING!



**WARNING!** Used if there is a risk of serious injury or death for the operator or damage to the surroundings if the instructions in the manual are not followed.

### CAUTION!



**CAUTION!** Used if there is a risk of injury to the operator or damage to the surroundings if the instructions in the manual are not followed.

### NOTICE!

**NOTICE!** Used if there is a risk of damage to materials or the machine if the instructions in the manual are not followed.

# CONTENTS

## Contents

### KEY TO SYMBOLS

Symbols on the machine .....	2
Explanation of warning levels .....	2

### CONTENTS

Contents .....	3
Note the following before starting: .....	3

### PRESENTATION

Dear customer! .....	4
Design and features .....	4

### PRESENTATION

What is what on the hydraulic unit? .....	5
---	---

### MACHINE'S SAFETY EQUIPMENT

General .....	6
Emergency stop and stop button .....	6

### ASSEMBLING AND ADJUSTMENTS

Assembling/Installing equipment .....	7
---------------------------------------	---

### OPERATING

Protective equipment .....	8
General safety precautions .....	8
Work safety .....	9
Transport and storage .....	10

### MENU SYSTEM

General .....	11
Menu overview .....	11
Start menu .....	13
Operations menu .....	13

### STARTING AND STOPPING

General .....	15
Wall sawing .....	15
Wire cutting .....	16

### MAINTENANCE

General .....	18
Daily maintenance .....	18
Oil change .....	18
Filter replacement .....	18
Service .....	18
Error messages .....	18

### TECHNICAL DATA

PP 455 E .....	21
----------------	----

### US WARRANTY STATEMENT

WARRANTY POLICY .....	22
EQUIPMENT .....	22

## Note the following before starting:



**WARNING!** Cutting, especially when DRY cutting, generates dust that comes from the material being cut, which frequently contains silica. Silica is a basic component of sand, quartz, brick clay, granite and numerous other minerals and rocks. Exposure to excessive amount of such dust can cause:

Respiratory disease (affecting your ability to breath), including chronic bronchitis, silicosis and pulmonary fibrosis from exposure to silica. These diseases may be fatal;

Skin irritation and rash.

Cancer according to NTP\* and IARC\* \*/ National Toxicology Program, International Agency for Research on Cancer

Take precautionary steps:

Avoid inhalation of and skin contact with dust, mist and fumes.

Wear and ensure that all bystanders wear appropriate respiratory protection such as dust masks designed to filter out microscopic particles. (See OSHA 29 CFR Part 1910.1200)

Wet cut when feasible, to minimize dust.

## Dear customer!

Thank you for choosing a Husqvarna product!

It is our wish that you will be satisfied with your product and that it will be your companion for a long time. A purchase of one of our products gives you access to professional help with repairs and services. If the retailer who sells your machine is not one of our authorised dealers, ask him for the address of your nearest service workshop.

This operator's manual is a valuable document. Make sure it is always at hand at the work place. By following its content (using, service, maintenance etc.) the life span and the second-hand value of the machine can be extended. If you ever lend or sell this machine, make sure that the borrower or buyer gets the operator's manual, so they will also know how to properly maintain and use it.

## More than 300 years of innovation

Husqvarna AB is a Swedish company based on a tradition that dates back to 1689, when the Swedish King Charles XI ordered the construction of a factory for production of muskets. At that time, the foundation was already laid for the engineering skills behind the development of some of the world's leading products in areas such as hunting weapons, bicycles, motorcycles, domestic appliances, sewing machines and outdoor products.

Husqvarna is the global leader in outdoor power products for forestry, park maintenance and lawn and garden care, as well as cutting equipment and diamond tools for the construction and stone industries.

## Owner responsibility

It is the owner's/employer's responsibility that the operator has sufficient knowledge about how to use the machine safely. Supervisors and operators must have read and understood the Operator's Manual. They must be aware of:

- The machine's safety instructions.
- The machine's range of applications and limitations.
- How the machine is to be used and maintained.

Local regulations could restrict the use of this machine. Find out what regulations are applicable where you work before you start using the machine.

## The manufacturer's reservation

Subsequent to publishing this manual Husqvarna may issue additional information for safe operation of this product. It is the owner's obligation to keep up with the safest methods of operation.

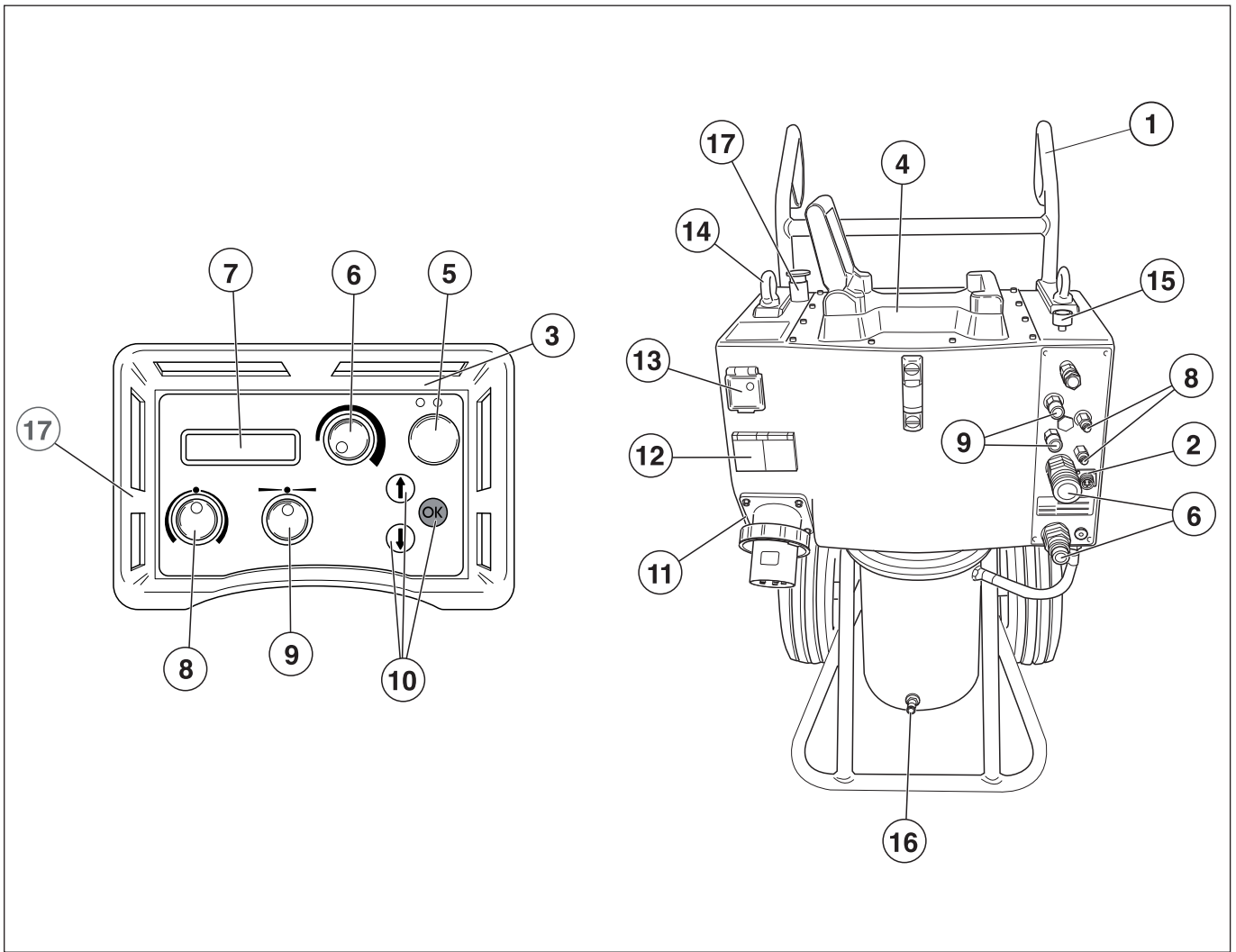
Husqvarna AB has a policy of continuous product development and therefore reserves the right to modify the design and appearance of products without prior notice.

For customer information and assistance, contact us at our website: [www.husqvarna.com](http://www.husqvarna.com)

## Design and features

Values such as high performance, reliability, innovative technology, advanced technical solutions and environmental considerations distinguish Husqvarna's products. Safe operation of this product requires the operator to read this manual carefully. Ask your dealer or Husqvarna should you need more information.

# PRESENTATION



## What is what on the hydraulic unit?

- |  |                              |
|--|------------------------------|
| 1 Handle                                 | 10 Option keys               |
| 2 Hydraulic hose connections             | 11 Electrical socket         |
| 3 Remote control                         | 12 230 V single phase socket |
| 4 Saw attachment                         | 13 Personal protection/Fuses |
| 5 Electric motor On/Off                  | 14 Lifting eye               |
| 6 Blade rotation and start water coolant | 15 Water flow valve          |
| 7 Display                                | 16 Wash-out port             |
| 8 Blade motion                           | 17 Power button (ON/OFF)     |
| 9 Travel feed                            |                              |

# MACHINE'S SAFETY EQUIPMENT

## General

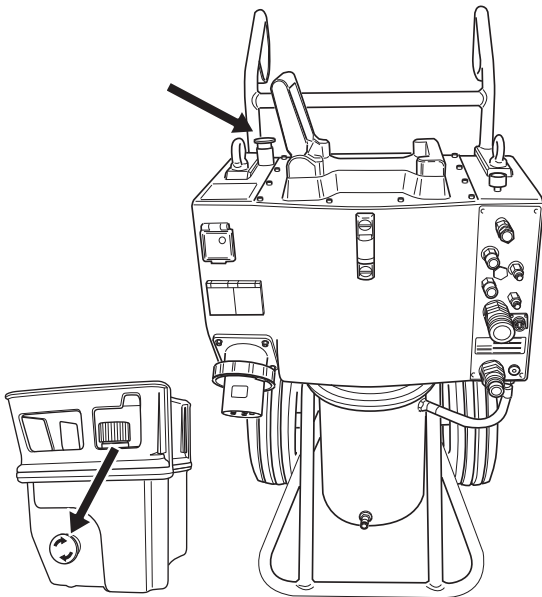


**WARNING! Never use a machine with faulty safety equipment. The machine's safety equipment must be checked and maintained as described in this section. If your machine fails any of these checks contact your service agent to get it repaired.**

This section describes the machine's safety equipment, its purpose, and how checks and maintenance should be carried out to ensure that it operates correctly.

## Emergency stop and stop button

The hydraulic unit is equipped with an emergency stop and the remote control with a stop button. These are used to be able to quickly shut down the hydraulic unit.



## Checking the emergency stop and stop button

- Start blade rotation
- Push the emergency stop on the hydraulic unit and check that the blade rotation stops. Check the stop button on the remote control in the same way.

# ASSEMBLING AND ADJUSTMENTS

## Assembling/Installing equipment

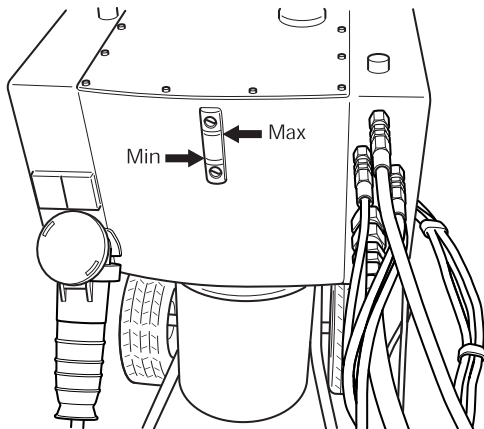
When the machine has been transported to a suitable site, it should be connected:

- Check the hydraulic oil level in the power pack. This is checked with the level indicator.

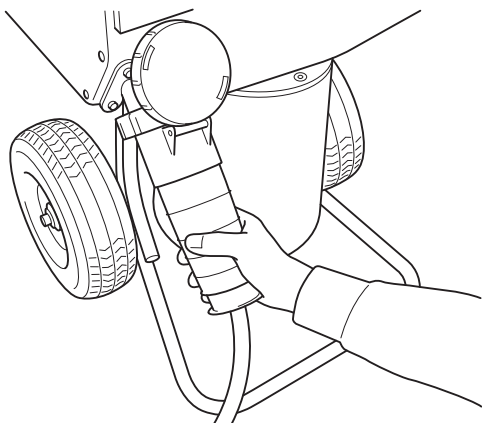
Min. level = red line

Max. level = black line

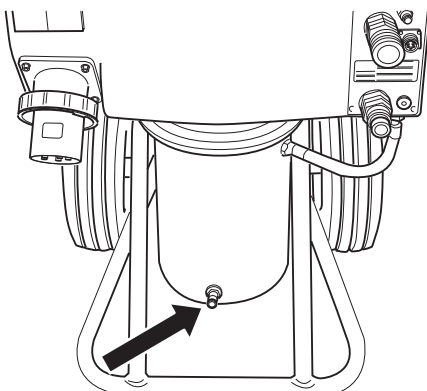
Do not exceed the max. level when filling the tank with hydraulic oil. The hydraulic oil expands when it gets hot and can overflow if the level is too high. Tank volume 16 l (4.2 US gallons).



- Connect the incoming power cable (400 V, 63 A or 400 V, 32 A European connector). The cable must be three-phase and earthed. When the machine is equipped with a single phase socket there must also be a neutral otherwise the single phase socket on the distribution box will not work. Check that the mains voltage corresponds with that stated on the rating plate on the machine.
- The power pack must be connected through a 63 A fuse in order to use maximum power. If connected through a 32 A fuse, the saw must be operated at low pressure, and with that cut less effectively to avoid overloading the fuse.



- Connect the incoming water hose to the water coupling on the bottom of the motor front on the hydraulic unit.



- Connect the remote control using the supplied CAN-cable. Tighten the cable connector screws by hand.

The CAN bus must be disconnected if the machine is fitted with a radio. There is no need to connect an antenna or other accessories to the CAN contact.

- Check that the emergency stop button on the power pack and the stop button on the remote control are not pressed by turning the them clockwise.
- The display now shows SELECT FUSE 32A. If the available fuse is 32 A, confirm this by pressing the membrane key marked 'OK'. If there is a 63 A fuse available, press the membrane key marked 'up arrow'. The display now indicates SELECT FUSE 63A. Confirm this by pressing the membrane key marked 'OK'.

- Connect the hose assembly. In this position, connect the hydraulic hoses. A pressure equalizing function making it easier to connect the hoses is now activated. This spares the seals in the hydraulic couplings.

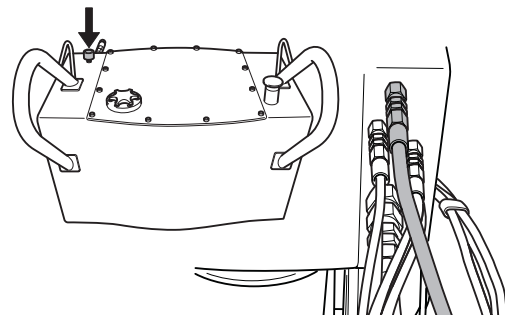
There are two types of hydraulic hoses for the unit:

- On a wall saw in the WS 400 series, the four thin hoses control the saw's motion motors, i.e. the saw's blade motion and the saw's trolley motion. The two thick hoses drive the blade.

- When a wire saw CS 2512 is connected to the unit, the two thin hoses control the tension on the magazine arm while the two thick hoses drive the wire.

Some couplings on the unit have a red marking sign on the coupling. The hoses with red discs should be connected to these couplings.

- Connect the water hose between the unit and the saw's water connector and open the water flow valve on top of the unit by turning the handwheel anticlockwise.



When the power cable and water hoses and hose assembly are connected, the machine can be started.

- Press OK to confirm the selection.
- The hydraulic output must be set according to which machine is connected to the hydraulic unit. Select one of the following:
  - 25 kW, 230 bar, 65 l/min
  - 9 kW, 140 bar, 40 l/min
- The display now shows 'PP-455 START MOTOR'. If the display does not show this, follow the instructions shown on the display.

# OPERATING

## Protective equipment

### General

Do not use the machine unless you are able to call for help in the event of an accident.

### Personal protective equipment

You must use approved personal protective equipment whenever you use the machine. Personal protective equipment cannot eliminate the risk of injury but it will reduce the degree of injury if an accident does happen. Ask your dealer for help in choosing the right equipment.



**WARNING!** The use of products such as cutters, grinders, drills, that sand or form material can generate dust and vapors which may contain hazardous chemicals. Check the nature of the material you intend to process and use an appropriate breathing mask.



**WARNING!** Long-term exposure to noise can result in permanent hearing impairment. So always use approved hearing protection. Listen out for warning signals or shouts when you are wearing hearing protection. Always remove your hearing protection as soon as the engine stops.



**WARNING!** There is always a risk of crush injuries when working with products containing moving parts. Wear protective gloves to avoid body injuries.

Always wear:

- Protective helmet
- Hearing protection
- Protective goggles or a visor
- Breathing mask
- Heavy-duty, firm grip gloves.
- Tight-fitting, heavy-duty and comfortable clothing that permits full freedom of movement.
- Boots with steel toe-caps and non-slip sole

Be careful as clothing, long hair, and jewellery can get caught in moving parts.

### Other protective equipment



**WARNING!** Sparks may appear and start a fire when you work with the machine. Always keep fire fighting equipment handy.

- Fire fighting equipment
- Always have a first aid kit nearby.

## General safety precautions



**WARNING!** Read all safety warnings and all instructions. Failure to follow the warnings and instructions may result in electric shock, fire and/or serious injury.

This section describes basic safety directions for using the machine. This information is never a substitute for professional skills and experience.

- Please read the operator's manual carefully and make sure you understand the instructions before using the machine.
- Read through the manual supplied with the hydraulic tool before starting to use the machine.
- Keep in mind that the operator is responsible for accidents or hazards occurring to other people or their property.
- All operators shall be trained in the use of the machine. The owner is responsible for ensuring that the operators receive training.
- The machine must be kept clean. Signs and stickers must be fully legible.



**WARNING!** The machine can be a dangerous tool if used incorrectly or carelessly, which can cause serious or fatal injury to the operator or others.

Never allow children or other persons not trained in the use of the machine to use or service it. Never allow anyone else to use the machine without first ensuring that they have read and understood the contents of the operator's manual.

Never use the machine if you are fatigued, while under the influence of alcohol or drugs, medication or anything that could affect your vision, alertness, coordination or judgement.



**WARNING!** Unauthorized modifications and/or accessories may lead to serious injury or death to the user or others.

Do not modify this product or use it if it appears to have been modified by others.

Never use a machine that is faulty. Carry out the safety checks, maintenance and service instructions described in this manual. Some maintenance and service measures must be carried out by trained and qualified specialists. See instructions under the heading Maintenance.

Always use genuine accessories.



# OPERATING

## Always use common sense

It is not possible to cover every conceivable situation you can face. Always exercise care and use your common sense. If you get into a situation where you feel unsafe, stop and seek expert advice. Contact your dealer, service agent or an experienced user. Do not attempt any task that you feel unsure of!

## Work safety

### Work area safety

- **Keep work area clean and well lit.** Cluttered or dark areas invite accidents.
- The safety distance is 4 meters (15 ft) from the machine.
- Always check and mark out where gas pipes are routed. Cutting close to gas pipes always entails danger. Make sure that sparks are not caused when cutting in view of the risk of explosion. Remain concentrated and focused on the task. Carelessness can result in serious personal injury or death.
- Do not use the machine in environments where there is a risk of explosion.
- Make sure that no pipes or electrical wires are routed in the work piece or in the working area.
- Make sure that electrical cables within the working area are not live.
- Observe your surroundings to ensure that nothing can affect your control of the machine.
- Do not use the machine in bad weather, such as dense fog, heavy rain, strong wind, intense cold, etc. Working in bad weather is tiring and can lead to dangerous conditions, e.g. slippery surfaces.
- Do not use the machine in wet or humid surroundings, close to water, in the rain or snow.
- Never start to work with the machine before the working area is clear and you have a firm foothold.

### Electrical safety



**WARNING! There is always a risk of shocks from electrically powered machines. Avoid unfavourable weather conditions and body contact with lightning conductors and metal objects. Always follow the instructions in the Operator's manual to avoid damage.**



**WARNING! Do not wash the machine with water, as water can enter the electrical system or the engine and cause damage to the machine or short circuit.**

- Always connect the machine through an ground fault circuit interrupter with personal protection, i.e. an ground fault circuit interrupter that trips at an ground fault of 30 mA.
- The machine should be connected to an earthed outlet socket.
- Check that the mains voltage corresponds with that stated on the rating plate on the machine.

- Check that the cord and extension cord are intact and in good condition. Always use extension cables that are approved for outdoor use.
- Never use the machine if any cable or plug is damaged, but hand it in to an authorized service workshop for repair.
- To avoid overheating do not use the extension cord while it is rolled up.
- Never drag the machine by means of the cord and never pull out the plug by pulling the cord.
- Keep all cords and extension cords away from water, oil and sharp edges. Make sure the cord is not pinched in doors, fences or the like. Otherwise it can cause the object to become live.

### Hydraulic safety

- Check that all couplings, connections and hydraulic hoses are in full working order.
- Keep the hydraulic hoses and couplings free from dirt.
- Do not misuse hoses.
- Do not use hoses that are distorted, worn or damaged.
- Check that the hoses are connected correctly to the machine and that the hydraulic couplings lock as intended before pressurising the hydraulic system. The couplings are locked by turning the outer sleeve on the female coupling so that the slot moves away from the ball.

The pressure hoses in the system must always be connected to the tool's intake. The return hoses in the system must always go to the tool's outlet. Confusing the connections can cause the tool to work in reverse, which can result in personal injury.

- Never use the hydraulic hoses to lift the machine.
- Check the machine, couplings and hydraulic hoses daily for leakage. A rupture or leak can cause a "hydraulic oil injection" in the body or result in other serious physical injury.
- Never disconnect the hydraulic hoses without first shutting off and disconnecting the hydraulic unit and ensuring the motors have stopped completely. If despite all precautions an emergency situation should arise, press the red emergency stop button on the top of the unit or press the green start/stop button on the remote control.
- Do not exceed the specified hydraulic oil flow or pressure for the tool being used. Excessive pressure or flow can result in rupturing.
- Do not check for leakage with your hands. Contact with the leak can result in serious personal injury caused by the high pressure in the hydraulic system.
- Hoses that are marked and approved as electrically non conductive must be used when using hydraulic tools on or in the vicinity of electrical cables. The use of other types of hoses can result in serious physical injury or even death.
- When replacing hoses, hoses marked "non-conducting dielectric" must be used. The hoses must be regularly checked for their electrical conductive insulation in accordance with special instructions.
- Run the hydraulic system until it reaches its operation temperature of 30°C before starting to saw, to reduce return pressure and other wear.

---

# OPERATING

---

## Personal safety

- Never use the machine if you are fatigued, while under the influence of alcohol or drugs, medication or anything that could affect your vision, alertness, coordination or judgement.
- Prevent unintentional starting. Ensure the switch is in the OFF-position.
- Never leave the machine unsupervised with the motor running.
- Always unplug the machine during longer work breaks.
- Never work alone, always ensure there is another person close at hand. Apart from being able to receive help to assemble the machine, you can also get help if an accident should occur.
- People and animals can distract you causing you to lose control of the machine. For this reason, always remain concentrated and focused on the task.
- People that need to be in close proximity of the machine must wear hearing protection as the sound level when cutting exceeds 85 dB(A).
- Always saw in a manner that permits easy access to the emergency stop.

## Use and care

- This machine is only intended for use together with a Husqvarna WS 355, WS 463, WS 462, WS 460 and CS 2512. All other use is forbidden.
- The machine is intended for use in industrial applications by experienced operators.
- Inspection and/or maintenance should be carried out with the motor switched off and the plug disconnected.
- Always switch off the machine before you move it.
- Observe care when lifting. You are handling heavy parts, which imply the risk of pinch injuries or other injuries.
- Check that all couplings, connections and cables are intact and free from dirt.
- Check that all cables and the water supply are correctly connected to the machine before starting it.
- Never pull out the power cable without first switching off the power pack and waiting for the engine to come to a complete halt. If an emergency situation should arise anyway, push the red emergency stop button on the power pack or the stop button on the remote control.
- Keep all parts in good working order and ensure that all fixtures are properly tightened.

## Transport and storage

- Always switch of the power pack and pull out the electric cable before moving the equipment.
- Use the cases provided to store the equipment.
- Secure the equipment during transportation in order to avoid transport damage and accidents.
- Store the equipment in a lockable area so that it is out of reach of children and unauthorized persons.
- Store the machine and its equipment in a dry and frost proof place.
- Do not expose the machine to temperatures exceeding 45°C or to direct sunlight.

# MENU SYSTEM

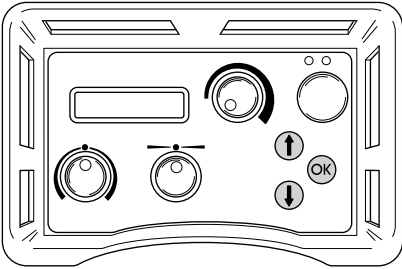
## General

This section is based on the 400V model of PP 455 E with a 5-pin connection. Some menu system variations may occur in other models.

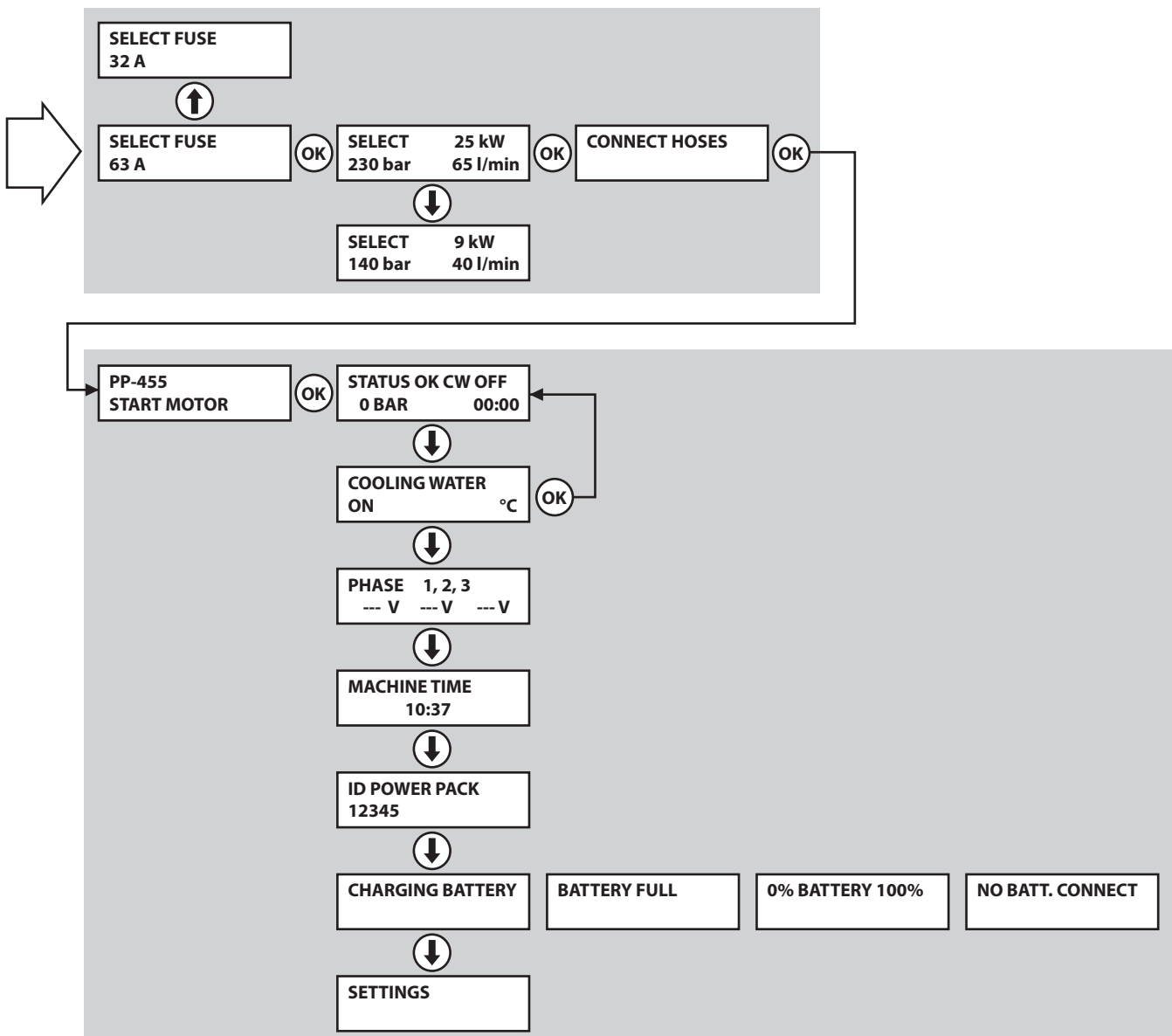
The menus are divided into two sections:

- Start menu
- Operations menu

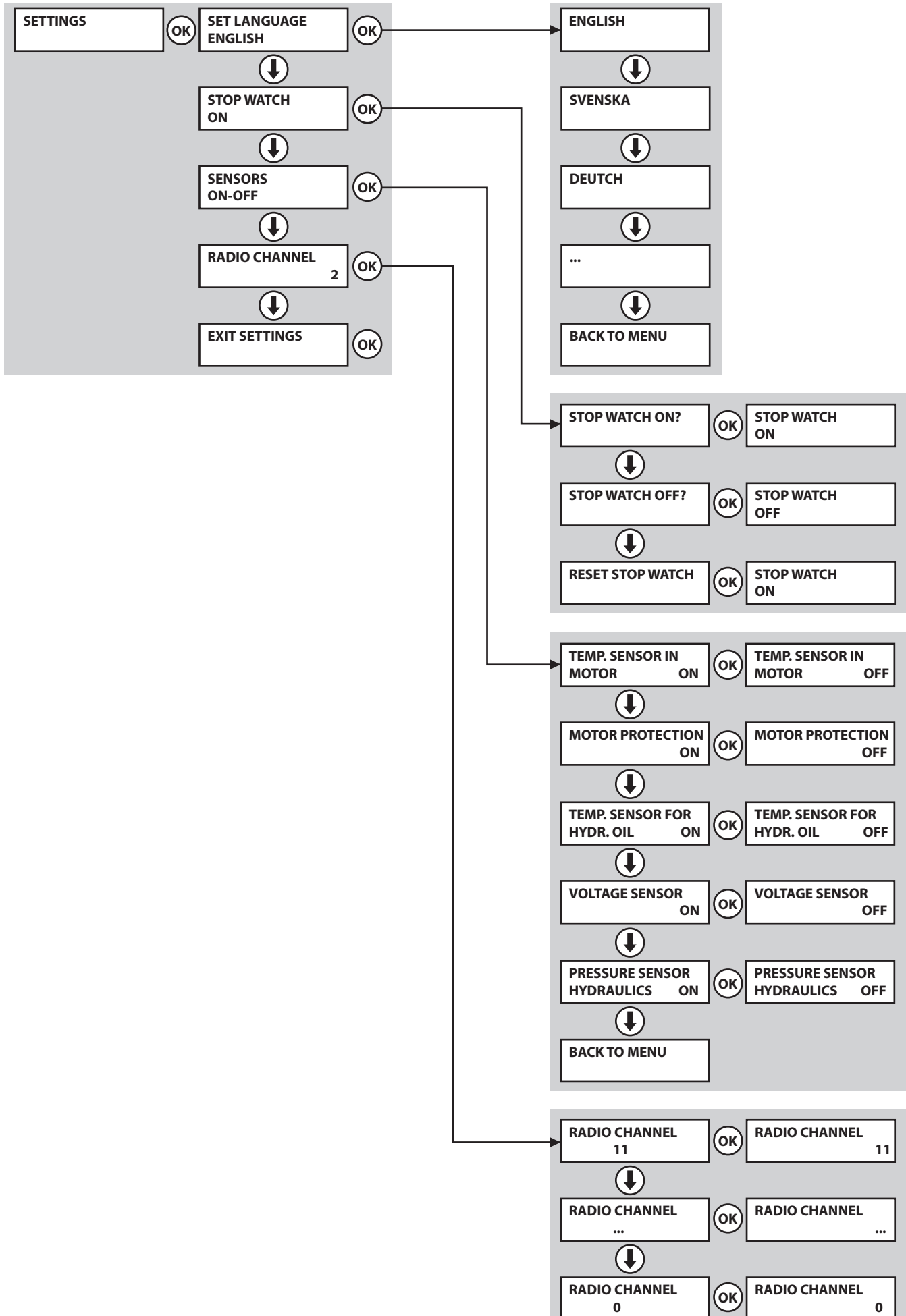
Browse with the arrow keys and confirm with "OK".



## Menu overview



# MENU SYSTEM



# MENU SYSTEM

## Start menu

The start menu is shown each time the power to the hydraulic unit is switched on.

### SELECT FUSE

The fuse rating must be set according to the fuse the hydraulic unit is connected to. Select one of the following options:

- 32A
- 63A
- Press OK to confirm the selection.

### SELECT POWER

The hydraulic output must be set depending on the machine connected to the hydraulic unit. Select one of the following options:

- 25 kW, 230 bar, 65 l/min (3300 psi, 17 US gpm)
- 9 kW, 140 bar, 40 l/min (2000 psi, 10 US gpm)
- Press OK to confirm the selection.

### CONNECT HOSES

In this position, connect the hydraulic hoses. A pressure equalizing function making it easier to connect the hoses is now activated. This spares the seals in the hydraulic couplings.

- Press OK when all hoses are connected.

## Operations menu

All information about operations and all setting options are accessed from this menu.

### START MOTOR

- Press the green button on the remote control to start the electric motor.

### STATUS

Status is the main information that is always shown on the display when the hydraulic unit with connected machine is operational.

- OK, signifies that the unit is operational and no warning messages have been issued.
- CW xx, where CW represents water coolant and xx ON or OFF. What is shown depends on whether the water coolant is switched on or off.
- yyy BAR, where yyy represents the instantaneous operating pressure.
- When time is switched on: mm:ss, is also shown, i.e. the time in minutes and seconds.

### COOLING WATER

Turn on (ON) or turn off (AUTO) the cooling water by pressing OK.

The current water coolant temperature is shown i the display.

## PHASE 1, 2, 3

The instantaneous main voltage to the hydraulic unit is shown under each phase name.

When the voltage becomes low, an error message is shown on the display, see the section "Error messages".

**NOTICE!** Long electrical cables with a small core cross section can result in a voltage drop. The hydraulic unit can then warn of a too low voltage.

## MACHINE TIME

State the total time that the blade/wire rotates for the connected power unit.

## ID POWER PACK

State the hydraulic unit's machine number.

## BATTERY

This function checks the remote control's battery. Different messages are shown on the display, depending what is currently happening with the battery:

- CHARGING BATTERY - The CAN cable is connected and the battery is charging.
- BATTERY FULL - The battery is fully charged.
- 0% BATTERY 100% - The bar shows the battery status.
- NO BATT. CONNECT - No battery can be detected.

## SETTINGS

All Setting options for the hydraulic unit and the remote control are accessed via this sub-menu.

### SET LANGUAGE

To select the language:

- Scroll using the arrow keys until the required language is shown.
- Press OK to confirm the selection.

### STOP WATCH

The function is used to measure the amount of time a job takes. The time is counted from when the saw starts working.

Select:

- ON, to enable.
- OFF, to disable.
- RESET STOP WATCH, to reset.

Browse with the arrow keys and confirm with "OK".

# MENU SYSTEM

## SENSORS ON/OFF

This sub-menu contains the setting options for the hydraulic unit's different sensors.

- TEMP. SENSOR IN MOTOR

The motor is fitted with a temperature sensor which guarantees that the motor is turned off if the temperature reaches a critical level.

Alternate between ON and OFF by pressing the OK button.

**NOTICE!** The electric motor can be damaged if the sensor is turned off.

- MOTOR PROTECTION

The hydraulic unit is fitted with a sensor which guarantees that the motor is turned off in the case of overloading or phase errors.

Alternate between ON and OFF by pressing the OK button.

**NOTICE!** The electric motor can be damaged if the sensor is turned off.

- TEMP. SENSOR FOR HYDR. OIL

A temperature sensor is fitted by the water coolant duct. The sensor ensures that the water coolant is connected to the hydraulic unit. The water coolant cools the hydraulic oil. When the temperature sensor is on, the control system continuously reads the temperature.

Alternate between ON and OFF by pressing the OK button.

**NOTICE!** The hydraulic unit can be damaged, if the temperature sensor is switched off.

- VOLTAGE SENSOR

A voltage sensor is connected to each phase, i.e. in total three sensors. These measure the phase voltage to hydraulic unit. Should the voltage be 10 % less than the nominal voltage, the hydraulic unit stops.

Alternate between ON and OFF by pressing the OK button.

**NOTICE!** The electric motor risks overheating due to a too low voltage, if the voltage sensors are switched off.

- PRESSURE SENSOR HYDRAULICS

The pressure sensor measures the hydraulic pressure to the blade.

Alternate between ON and OFF by pressing the OK button.

**NOTE!** The hydraulic unit's control system switches off, if the pressure sensor is switched off. The hydraulic system may then be difficult to control with a high load.

- BACK TO MENU

Press the OK button to leave this submenu.

## RADIO CHANNEL (only machines equipped with a radio)

The remote control must be connected to machine with a CAN cable.

- Select the required radio channel. Choose from between the following options:

- 0
- 1
- ...
- 11

Browse with the arrow keys and confirm with "OK".

## EXIT SETTINGS

Any settings are stored automatically.

- Press the OK button to leave this submenu.

# STARTING AND STOPPING

## General



**WARNING!** Please read the operator's manual carefully and make sure you understand the instructions before using the machine.

Wear personal protective equipment. See instructions under the heading "Personal protective equipment".

Make sure no unauthorised persons are in the working area, otherwise there is a risk of serious personal injury.

Check that the machine is assembled correctly and do not show any signs of damage. See instructions in the section "Assembling and adjustments".

- Perform daily maintenance. See instructions in the section "Maintenance".

## Wall sawing

### Before starting

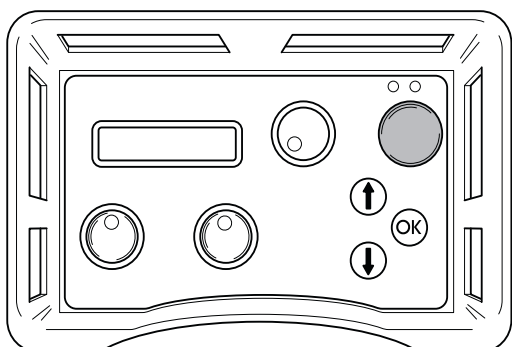
**IMPORTANT!** Make sure that the blade and blade guard are fitted correctly before turning on the hydraulic unit.

Before you start the motor, check that:

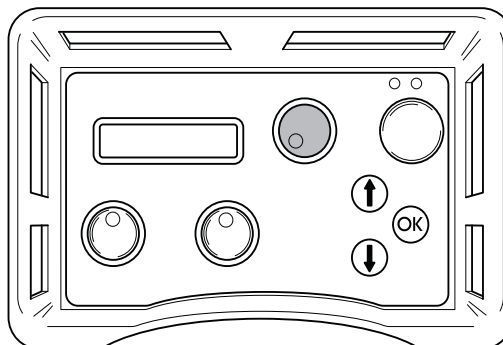
- The incoming electrical cable has been connected to a fuse rated at least 25 A.
- The 32 A or 63 A power setting is chosen.  
If this is not done, a message in the display will prompt this when the start button is pushed.
- The hoses have been connected to a device.
- Run the hydraulic system until it reaches its operation temperature of 30°C before starting to saw, to reduce return pressure and other wear.
- All controls on the remote control have been set to zero position. If this is not done, a message in the display will prompt this when the start button is pushed.

### Starting

- 1 Start the electric motor by pressing the remote control's green button once. The Y/D start takes place automatically. The rotation direction is always correct due to an automatic phase relay.

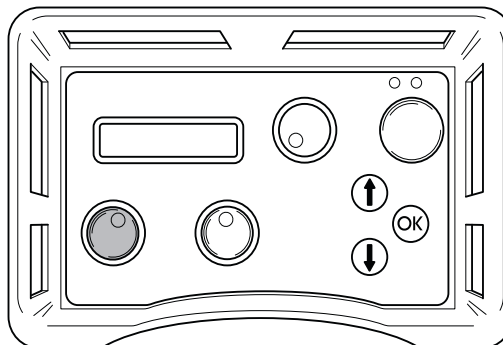


- 2 Turn the controls for blade rotation and water coolant to their maximum positions to start blade rotation and the water coolant.

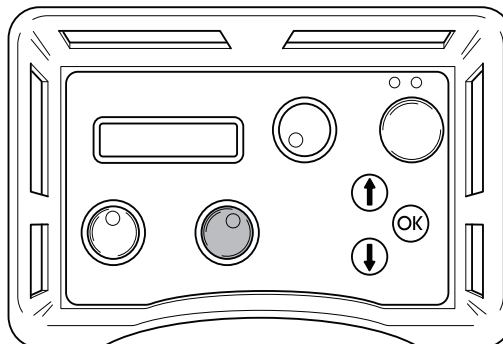


The amount of water can be adjusted manually with the knob on the top of the unit.

- 3 Start the blade motion by turning the blade motion knob on the remote control in the desired direction.

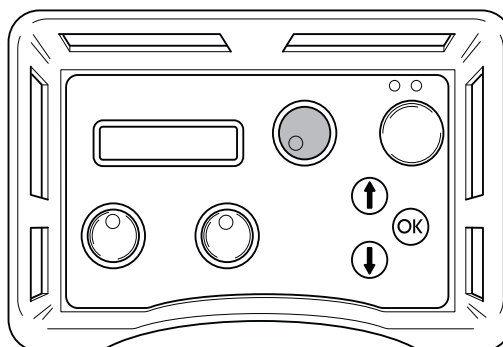


- 4 Start the horizontal motion by turning the horizontal motion knob in the desired direction.



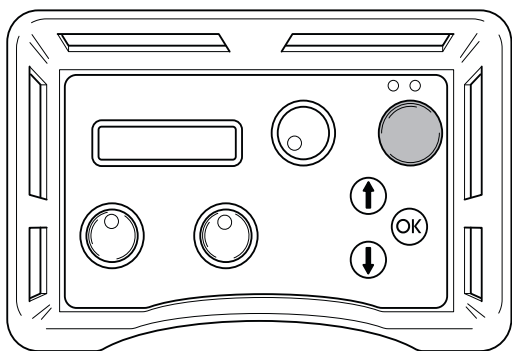
### Stopping

- 1 After the work is completed, turn off the blade rotation and water flow by turning the blade rotation and water coolant start knobs on the remote control back to '0'.



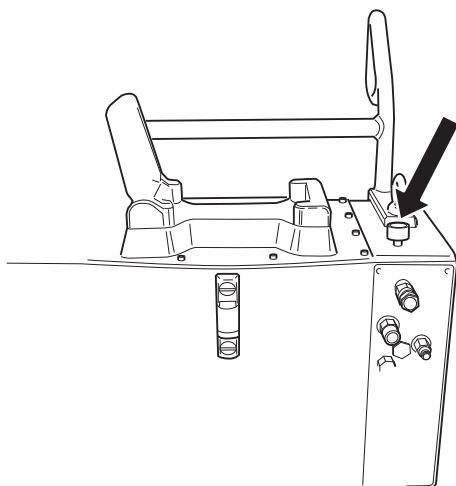
# STARTING AND STOPPING

- 2 Turn off the electric motor by pressing the remote control's green button.



## Water valve

When the power to the hydraulic unit is disconnected, the water valve opens so that the cooling system can be drained prior to transport and to avoid the risk of the cooler and motor freezing in sub-zero temperatures. The unit can be transported vertically or horizontally. If the power is cut during sawing, the water can be turned off by turning the water flow valve on top of the power unit clockwise to the stop position. The water flow connected to the hydraulic tool can also be reduced by turning the water flow valve.



## Dismantling the equipment

- 1 Allow the motor to stop completely.
- 2 Disconnect the power supply cable before disconnecting the water hoses.
- 3 Disconnect the hydraulic hoses.
- 4 If there is a risk of freezing, drain the water from the oil cooler by disconnecting both hoses, opening the water flow valve, and tilting the unit forwards.

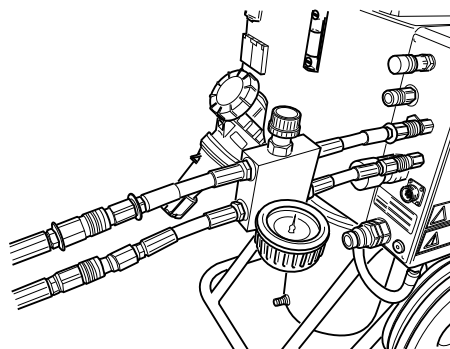
**IMPORTANT!** Always clean all the equipment at the end of the working day. Do not use a high pressure washer to clean the machine.

## Wire cutting

### Before starting

**IMPORTANT!** Do not connect the two thick hydraulic hoses to the wire saw before the cable is correctly fitted and tensioned, and all guards are correctly fitted.

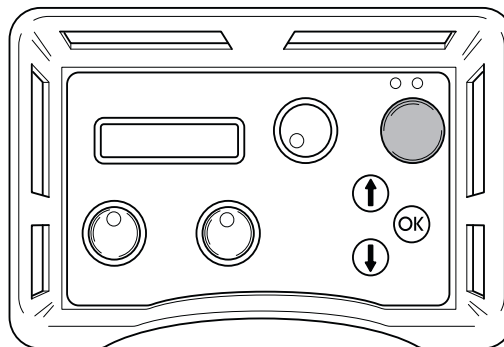
- Before you start the motor, check that:
  - The incoming electrical cable has been connected to a fuse rated at least 25 A.
  - The 32 A or 63 A power setting is chosen. If this is not done, a message in the display will prompt this when the start button is pushed.
- Assemble the pressure reduction block supplied with the wire saw on the hydraulic unit according to the instructions on the block.
- Connect the two smaller hydraulic hoses to the pressure reduction block. The hoses in the hose assembly marked with a red disc by the coupling shall be connected to the hose on the pressure reduction block that is also fitted with a disc.



- Close the valve on the pressure reduction block by turning the knob anti-clockwise until it stops and then two turns back.

### Starting

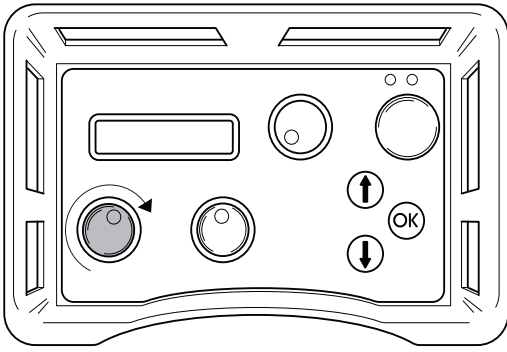
- 1 Start the electric motor by pressing the remote control's green button once.



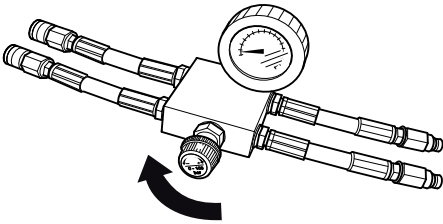


# STARTING AND STOPPING

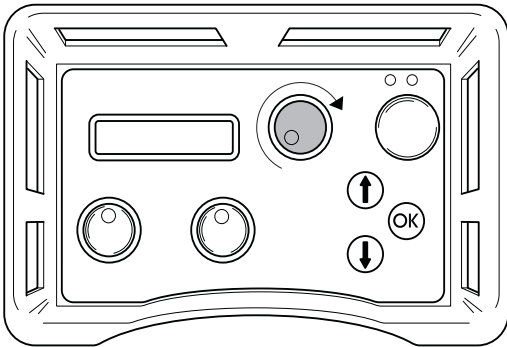
- 2 Set the feeding flow on the unit to max by turning the control on the remote control clockwise.



- 3 Tension the wire by carefully turning the knob on the pressure reduction block clockwise until the wire is tensioned sufficiently. Make sure to always check that the wire is seated correctly in all the wheels on the saw.

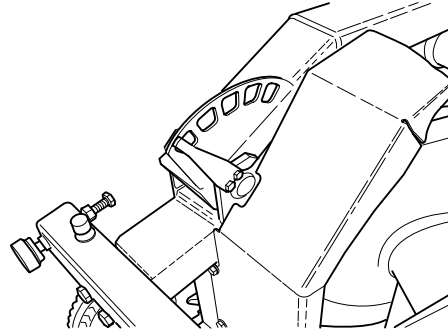


- 4 Start the wire drive by turning the control for motor rotation on the remote control clockwise.



- 5 Carefully increase the motor speed by turning the control for motor rotation. A suitable working pressure when cutting usually lies between 100 and 130 bar, but varies depending on how many wheel sets are used in the magazine, how much wire is in use and the hardness of the material to be cut.
- 6 As the material is cut away the working pressure drops, which is shown on the display, and the magazine must then be tensioned. Do this by turning the knob on the pressure reduction block clockwise.

- 7 The output tension on the magazine is shown by an indicator on the machine (shown in the min position). When the magazine cylinder is fully tensioned, the machine must be stopped and the wire must be wound around a new wheel set. Then continue to cut as above.



## Stopping

- Lower the speed on the wire and allow the motor to stop completely.
- Turn off the electric motor by pressing the remote control's green button.
- Disconnect the incoming cables from the hydraulic unit.
- Disconnect the hydraulic hoses and the water hose from the saw unit.
- The other steps are done in the reverse order to assembling.

**IMPORTANT!** Always clean all the equipment at the end of the working day. Do not use a high pressure washer to clean the machine.

# MAINTENANCE

## General



**WARNING!** The user must only carry out the maintenance and service work described in this manual. More extensive work must be carried out by an authorized service workshop.

**Inspection and/or maintenance should be carried out with the motor switched off and the plug disconnected.**

The life span of the machine can be reduced and the risk of accidents can increase if machine maintenance is not carried out correctly and if service and/or repairs are not carried out professionally. If you need further information please contact your nearest servicing dealer.

## Daily maintenance

- Check that the machine's safety equipment is undamaged. See instructions in the section "Machine's safety equipment".
- Check that the cord and extension cord are intact and in good condition.
- Check the hydraulic oil level in the power pack. The high pressure jet can damage seals and lead to water and dirt permeating into the machine, resulting in serious damage.
- Always clean all the equipment at the end of the working day. Use a heavy-duty hand-held brush or a large paint brush.
- Make sure to keep the connectors and pins clean. Clean with a rag or brush.

**NOTICE!** Do not use a high pressure washer to clean the machine.

- Check the tire pressures.

## Oil change



**WARNING!** Remember that oil can pose a hazard to health and the environment.

- There is a magnetic plug on the underside of the tank for draining the hydraulic oil. Clean the magnet.
- Open the screw cap on the tank and fill with hydraulic oil with a viscosity of 46. It is recommended to use a hydraulic oil with a viscosity of 68 in warmer climates. Make sure that the oil level is about 10 mm below the max. mark on the sight gauge.

About 16 litres of hydraulic oil is required when changing.

## Filter replacement

- To change the filter, remove the tank cap after loosening the twelve screws. Loosen the three screws for the filter housing cover and remove it as well. Lift out the old filter cartridge and press in the new one, making sure it engages with the end of the tube in the bottom of the housing.

## Service



**WARNING!** All types of repairs may only be carried out by authorised repairmen. This is so that the operators are not exposed to great risks.

After 100 hours of operation, the message "Time for servicing" is displayed. The entire equipment shall then be taken to an authorized Husqvarna dealer for servicing.

## Error messages

Nine different error messages can be shown on the display:

- NOTE! LOW VOLTAGE (1A) CHECK THE VOLTAGE SUPPLY AND THE CABLE TO THE HYDRAULIC UNIT
- LOW VOLTAGE PHASE X (1B) LOW POWER 32A
- MOTOR PROTECTION TRIPPED (2)
- MOTOR OVERHEATED (3) COOLING IN PROGRESS. DO NOT SWITCH OFF THE ELECTRIC MOTOR
- OIL TEMP. HIGH (4) CHECK THE WATER TO THE HYDRAULIC UNIT
- PRESSURE SENSOR OUT OF (5) ORDER
- HIGH HYDR PRESSURE (6) CHECK UNIT
- NO CONTACT CHECK THE CAN CABLE (7)
- NO RADIO CONTACT (8)

### Error message (1A)

**IMPORTANT!** Low voltage Check the voltage supply and the cable to the hydraulic unit.

Too low voltage, caused by:

- Long mains cable.
- Too small core size (cross-section) on the mains cable.

One or more phases down, caused by:

- A fuse has blown in the distribution box.
- Cable breakage.
- No voltage to one or more phases in the distribution box.

### Action (1A)

Press OK to acknowledge the error message.

The hydraulic unit will match the maximum power output to 32 A.

### Error message (1B)

'Low voltage Phase x low output. 32 A', where x represents phase 1, 2 or 3.

---

# MAINTENANCE

---

## Action (1B)

Press OK to acknowledge the message. It states on the display that the maximum power output is set to 32 A. If the voltage is still low, the electric motor is turned off and the low voltage error message is shown.

By pressing OK, the unit returns to the maximum power you selected at start up. To switch between 63 A and 32 A, the unit must be turned off and then on again.

Read the supply voltage on the operations menu 'Phase 1, Phase 2, Phase 3'. If the voltage, before the motor is started, is:

- Below 340 V, check that none of the cores in the cable are broken and that there is voltage up to distribution box.
- Above 340 V, check the cable's core dimensions and length.

## Error message (2)

'Motor protection tripped'

### Cause (2)

The electric motor has been overload or a phase is down. This is why the motor cut-out, which is there to protect the electric motor, has tripped.

### Action (2)

Press OK to acknowledge the error message. Check that there is voltage to the hydraulic unit on all three phases.

Read the supply voltage on the operations menu 'Phase 1, Phase 2, Phase 3'.

If the voltage to one phase is down: Check the mains cable and the voltage to the distribution box. The motor protection is reset automatically within three minutes.

If the voltage to all phases is higher than 340V: Wait for the motor cut-out to reset. Now restart the hydraulic unit.

If the motor cut-out trips frequently you should call the service personnel.

## Error message (3)

'Motor overheated cooling in progress. Do not turn off the electric motor!'

**IMPORTANT!** Do not turn off the motor, as this can damage it. When the motor has cooled it is turned off automatically.

### Cause (3)

High motor temperature detected

## Action (3)

Press OK to acknowledge the error message.

If after all it is necessary to turn off the engine, the error message must still be acknowledged by first pressing OK.

The display shows: COOLING. The hydraulic valves for blade and trolley motion are turned off. The blade motion can also be restarted.

When the motor temperature sensor drops below the limit level the display shows: MOTOR COOLED PRESS OK.

If the motor frequently overheats you should call the service personnel.

## Error message (4)

'Oil temp. high Check water to the hydraulic unit'

### Cause (4)

Failure to cool the hydraulic oil.

### Action (4)

When the error message is shown, the electric motor is turned off. Press OK to acknowledge the error message. Check that the water coolant is connected to the hydraulic unit and that the water runs to the blade when you turn the knob for blade rotation.

## Error message (5)

'Pressure sensor not working'

### Cause (5)

The pressure sensor for measuring the hydraulic pressure to the blade rotation is not working.

### Action (5)

Press OK to acknowledge the error message. If the error message is shown repeatedly, replace the pressure sensor.

## Error message (6)

'High hydr pressure check unit'

### Cause (6)

The blade has jammed, which causes a high hydraulic pressure.

### Action (6)

Press OK to acknowledge the error message. If the error message is shown frequently, you should call the service personnel.

## **Error message (7)**

'No contact Check the CAN cable'

### **Cause (7)**

In remote controls fitted with a radio and a battery, this warning is displayed if the incoming voltage to the power pack disappears.

The CAN cable, or its connector is damaged, which results in the hydraulic unit not being possible to control via the remote control.

### **Action (7)**

Press OK to acknowledge the error message. Check the cable and connector and replace if damaged. Contact the service personnel if the fault remains.

## **Error message (8) - applies to units equipped with a radio system**

'No radio contact'

### **Cause (8)**

The radio contact between the hydraulic unit and remote control is not working.

### **Action (8)**

Several actions may be necessary to rectify the fault:

- Ensure (via the operations menu - settings - radio id) that the identity number is greater than 0.
- Make sure that the hydraulic unit has been started.
- Move closer to the hydraulic unit to prevent long distances or reinforced walls.

---

# TECHNICAL DATA

---

## PP 455 E

Specified hydraulic output, kW/hp	25/33,5	
Max. hydraulic oil flow (at 63 A), l/min / gal/min	65/17	
Weight hydraulic unit incl. oil, kg/lbs	140/310	
Power supply		
Europe + Australia 5-pin	400V (32-63A), 50Hz	
Europe + Asia 4-pin	400V (32-63A), 50Hz	
Norway 5-pin	400V (32-63A), 50Hz	230V (80A), 50Hz
Japan 4-pin	200V (80A) 50, 60 Hz	
USA 4-pin	480V (32-63A, 60 Hz)	
Canada 4-pin	600V (20-40A), 60Hz	
Optional equipment	2 x 230 V wall socket	

**IMPORTANT!** The higher ampere rating applies for maximum output.

---

# US WARRANTY STATEMENT

---

## WARRANTY POLICY

All warranty claims will be determined after inspection at a designated facility. A Returned Goods Authorization is required for all warranty claims. Contact Husqvarna Customer Service Department at 800-845-1312 for an RGA. The customer must prepay the freight and absorb any labor expense required to return or replace a product submitted for warranty consideration. Husqvarna will pay return shipping expenses for repaired or approved replacement products.

## EQUIPMENT

Equipment manufactured by Husqvarna is warranted to be free from manufacturing defects in normal service for a period of two (2) years from date of purchase by the original consumer purchaser. **Component manufacturers offer separate warranty periods. Call Technical Services at 800-288-5040 for complete information.**

Our obligation under this warranty is expressly limited to the replacement or repair at Husqvarna Construction Products North America, Olathe, Kansas 66061, or at a service facility designated by us, of such part or parts as inspection shall disclose to have been defective.

This warranty does not apply to defects caused by damage, unreasonable use, faulty repairs made by others than an approved Husqvarna servicing dealer, or defects caused by failure to provide reasonable maintenance, while in the possession of the consumer. Further, the warranty is void if the product, or any of its components, are altered or modified by the consumer purchaser, or if the product is used in an inappropriate manner or with tools not recommended by the manufacturer.

**Exceptions:** Drill motors - 3 months, Wall saws - 1 year, Power cutters - 3 months, DM230 - 1 year, DM225 - 3 months, Gyro systems - 1 year, CD40 system - 1 year, DS160 C - 1 year, Smart box - 1 year, CS2515 - 1 year, PP455 E - 1 year, PP345 E - 1 year, HP40 - 1 year.

**Wear items:** Filters, spark plugs, bearings\*, belts, wheels\*\* and wear pads.

\*Except IntelliSeal™ system. \*\*Except delamination.

# EXPLICATION DES SYMBOLES

## Symboles sur la machine

AVERTISSEMENT! La machine utilisée de manière imprudente ou inadéquate peut devenir un outil dangereux, pouvant causer des blessures graves voire mortelles à l'utilisateur et aux autres personnes présentes.



Lire attentivement et bien assimiler le manuel d'utilisation avant d'utiliser la machine.



Toujours utiliser:

- Casque de protection homologué
- Protecteurs d'oreilles homologués
- Lunettes protectrices ou visière
- Masque respiratoire



AVERTISSEMENT! Courant élevé.



### Marquage environnemental.

Ce symbole figurant sur le produit ou sur son emballage indique que ce produit ne peut pas être traité comme déchet ménager. Il doit être collecté et amené à une installation de récupération appropriée de déchets d'équipements électriques et électroniques.



En veillant à ce que ce produit soit correctement éliminé, vous pouvez contribuer à prévenir les conséquences négatives potentielles sur l'environnement et les hommes, qui pourraient sinon être le résultat d'un traitement incorrect des déchets de ce produit.

Pour des informations plus détaillées sur le recyclage de ce produit, contactez votre commune ou le magasin où vous avez acheté le produit.

## Explication des niveaux d'avertissement

Il existe trois niveaux d'avertissement.

### AVERTISSEMENT!



**AVERTISSEMENT!** Symbole utilisé en cas de risque de blessures très graves ou de mort pour l'utilisateur ou de dommages pour les environs si les instructions du manuel ne sont pas suivies.

### REMARQUE !



**REMARQUE !** Symbole utilisé en cas de risque de blessures pour l'utilisateur ou de dommages pour les environs si les instructions du manuel ne sont pas suivies.

### ATTENTION !

**ATTENTION !** Symbole utilisé en cas de risque de dommages pour les matériaux ou la machine si les instructions du manuel ne sont pas suivies.

# SOMMAIRE

## Sommaire

### EXPLICATION DES SYMBOLES

Symboles sur la machine .....	23
Explication des niveaux d'avertissement .....	23

### SOMMAIRE

Sommaire .....	24
Contrôler les points suivants avant la mise en marche:	24

### PRÉSENTATION

Cher client, .....	25
Conception et propriétés .....	25

### PRÉSENTATION

Les composantes d'un groupe hydraulique .....	26
---	----

### ÉQUIPEMENT DE SÉCURITÉ DE LA MACHINE

Généralités .....	27
Arrêt d'urgence et bouton d'arrêt .....	27

### MONTAGE ET RÉGLAGES

Montage/Installation de l'équipement .....	28
--	----

### COMMANDE

Équipement de protection .....	30
Instructions générales de sécurité .....	30
Sécurité du travail .....	31
Transport et rangement .....	32

### SYSTÈME DE MENUS

Généralités .....	33
Vue d'ensemble des menus .....	33
Menu de démarrage .....	35
Menu de fonctionnement .....	35

### DÉMARRAGE ET ARRÊT

Généralités .....	37
Sciage mural .....	37
Découpe au câble .....	38

### ENTRETIEN

Généralités .....	40
Entretien quotidien .....	40
Changement d'huile .....	40
Remplacement du filtre .....	40
Service .....	40
Messages d'erreur .....	40

### CARACTÉRISTIQUES TECHNIQUES

PP 455 E .....	43
----------------	----

### DECLARATION DE GARANTIE ETATS-UNIS

POLITIQUE DE GARANTIE .....	44
EQUIPEMENT .....	44

## Contrôler les points suivants avant la mise en marche:



**AVERTISSEMENT!** La découpe, particulièrement la découpe à SEC soulève la poussière générée par le matériau coupé qui contient souvent de la silice. La silice est composée de sable, de quarts d'argile, de granit et de nombreuses autres substances minérales et rocheuses. L'exposition à une quantité excessive d'une telle poussière peut causer:

Des maladies respiratoires (altérant les facultés respiratoires), y compris bronchites chroniques, silicose et fibrose pulmonaire dues à une exposition à la silice. Ces maladies peuvent être fatales;

Irritation cutanée et démangeaisons.

Des cancers selon NTP\* et IARC\* \*/ National Toxicology Program, International Agency for Research on Cancer

Prendre des mesures préventives:

Éviter l'inhalation et le contact avec la peau de la poussière, des vapeurs et des fumées.

L'utilisateur et les personnes présentes sur le site doivent porter des protections respiratoires appropriées telles que des masques spécialement prévus pour filtrer les particules microscopiques. (Voir OSHA 29 CFR Partie 1910.1200)

Couper si possible en utilisant le jet d'eau afin de réduire la poussière dispersée.



## **Cher client,**

Nous vous remercions d'avoir choisi un produit Husqvarna !

Nous espérons que cette machine vous donnera toute satisfaction et qu'elle vous accompagnera pendant de longues années. L'achat de l'un des nos produits garantit une assistance professionnelle pour l'entretien et les réparations. Si la machine n'a pas été achetée chez l'un de nos revendeurs autorisés, demandez l'adresse de l'atelier d'entretien le plus proche.

Ce mode d'emploi est précieux. Veillez à ce qu'il soit toujours à portée de main sur le lieu de travail. En suivant les instructions qu'il contient (utilisation, révision, entretien etc.), il est possible d'allonger considérablement la durée de vie de la machine et d'augmenter sa valeur sur le marché de l'occasion. En cas de vente de la machine, ne pas oublier de remettre le manuel d'utilisation au nouveau propriétaire.

## **Plus de 300 ans d'innovation**

Husqvarna AB est une entreprise suédoise qui a vu le jour en 1689 lorsque le roi Karl XI décida de construire un arsenal pour la fabrication des mousquets. À l'époque, les compétences en ingénierie à la base du développement de certains des produits leaders du marché mondial dans des domaines tels que les armes de chasse, les vélos, les motocycles, l'électroménager, les machines à coudre et les produits d'extérieur, étaient déjà solides.

Husqvarna est le premier fournisseur mondial de produits motorisés pour utilisation en extérieur dans la foresterie, l'entretien de parcs, de pelouses et de jardins, ainsi que d'équipements de coupe et d'outils diamant destinés aux industries de la construction et de la pierre.

## **Responsabilité du propriétaire**

Il est de la responsabilité du propriétaire/de l'employeur de s'assurer que l'utilisateur possède les connaissances nécessaires pour manipuler la machine en toute sécurité. Les responsables et les utilisateurs doivent avoir lu et compris le Manuel d'utilisation. Ils doivent avoir conscience :

- Des instructions de sécurité de la machine.
- Des diverses applications de la machine et de ses limites.
- De la façon dont la machine doit être utilisée et entretenue.

Les législations locales peuvent limiter l'utilisation de cette machine. Recherchez les législations applicables pour le lieu où vous travaillez avant d'utiliser la machine.

## **Droit de réserve du fabricant**

Husqvarna peut éditer des informations complémentaires concernant l'utilisation de ce produit en toute sécurité après la publication du présent manuel. Il incombe au propriétaire de se tenir informé des méthodes d'utilisation les plus sûres.

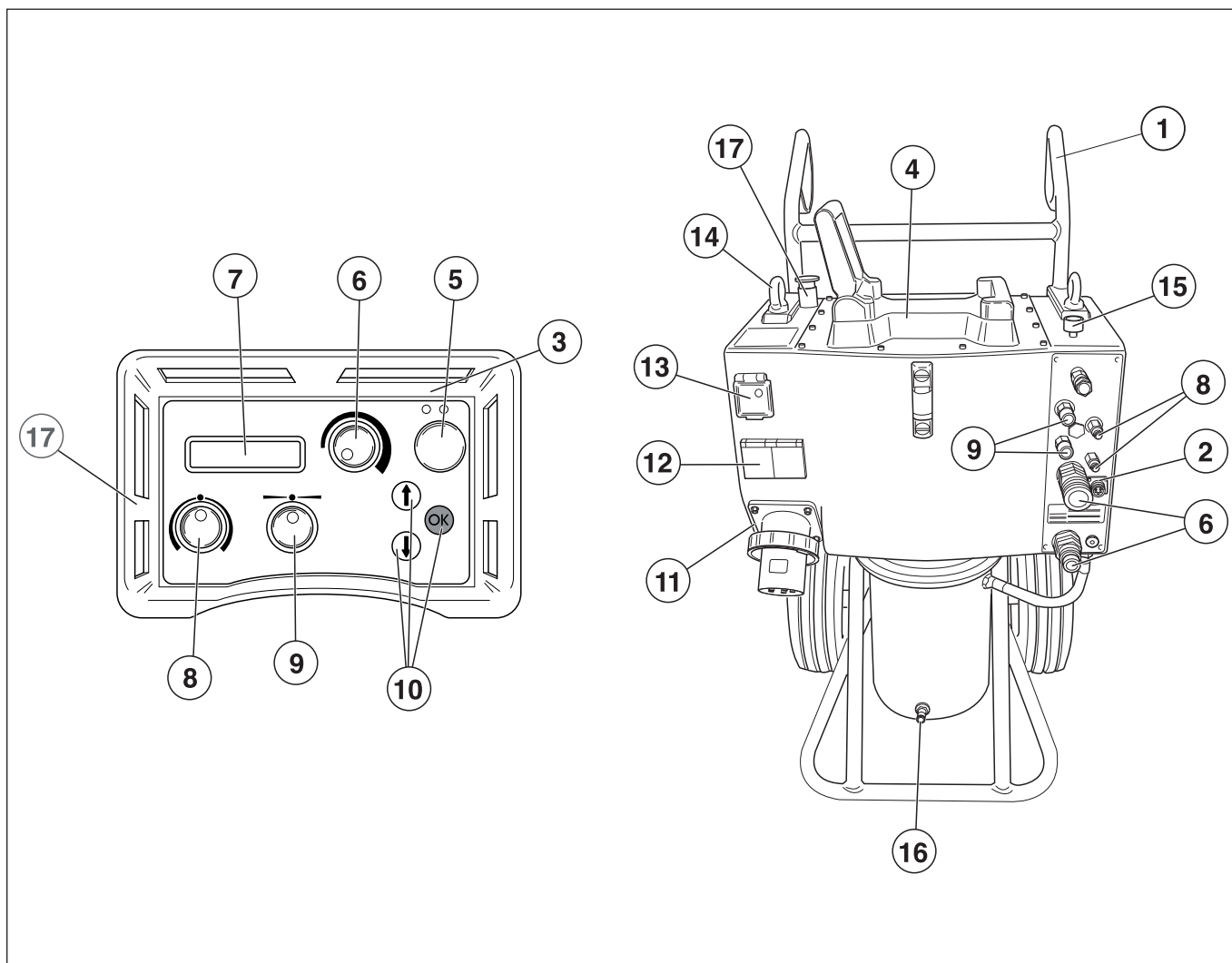
Husqvarna AB travaille continuellement au développement de ses produits et se réserve le droit d'en modifier, entre autres, la conception et l'aspect sans préavis.

Pour obtenir des informations et une assistance client, contactez-nous via notre site Web : [www.husqvarna.com](http://www.husqvarna.com)

## **Conception et propriétés**

Les produits Husqvarna se distinguent par des valeurs telles que la haute performance, la fiabilité, la technologie innovante, les solutions techniques de pointe et les considérations environnementales. Pour utiliser ce produit en toute sécurité, l'utilisateur doit lire le manuel avec attention. Contactez votre revendeur Husqvarna pour obtenir de plus amples informations.

# PRÉSENTATION



## Les composantes d'un groupe hydraulique

- |   |  |    |                                 |
|---|--|----|---------------------------------|
| 1 | Poignée  | 9  | Alimentation en longueur        |
| 2 | Raccordements des flexibles hydrauliques                     | 10 | Touches de sélection            |
| 3 | Commande à distance  | 11 | Prise électrique                |
| 4 | Fixation de scie   | 12 | Prise de 230 V monophasé        |
| 5 | Moteur électrique, Arrêt/Marche                              | 13 | Protection de personnes/Fusible |
| 6 | Rotation de la lame et démarrage de l'eau de refroidissement | 14 | Œillet de levage                |
| 7 | Écran d'affichage  | 15 | Vanne de dosage d'eau           |
| 8 | Entrée   | 16 | Raccord de l'eau                |
|   |  | 17 | Interrupteur (ON/OFF)           |

# ÉQUIPEMENT DE SÉCURITÉ DE LA MACHINE

## Généralités

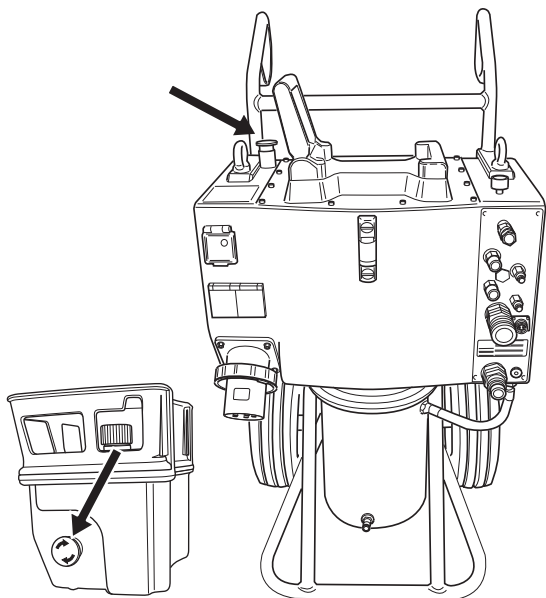


**AVERTISSEMENT!** Ne jamais utiliser une machine dont les équipements de sécurité sont défectueux. Contrôler et entretenir les équipements de sécurité de la machine conformément aux instructions données dans ce chapitre. Si les contrôles ne donnent pas de résultat positif, confier la machine à un atelier spécialisé.

Ce chapitre présente les équipements de sécurité de la machine, leur fonction, comment les utiliser et les maintenir en bon état.

## Arrêt d'urgence et bouton d'arrêt

Le groupe hydraulique est équipé d'un arrêt d'urgence et la commande à distance, d'un bouton d'arrêt. Ils sont habituellement utilisés pour arrêter rapidement le groupe hydraulique.



## Contrôle de l'arrêt d'urgence et du bouton d'arrêt

- Démarrer la rotation de la lame
- Appuyer sur l'arrêt d'urgence sur le groupe hydraulique et vérifier si le disque s'arrête de tourner. Contrôler le bouton d'arrêt de la commande à distance de la même façon.

# MONTAGE ET RÉGLAGES

## Montage/Installation de l'équipement

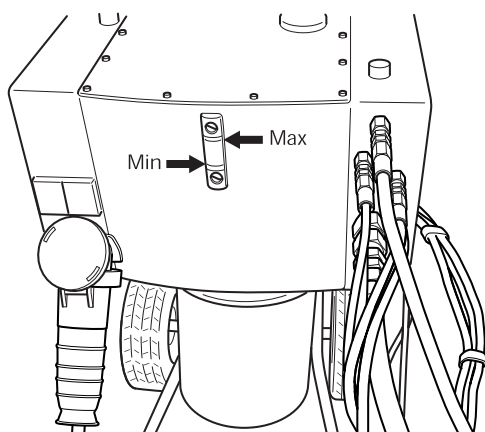
Après avoir été transportée à un emplacement approprié, la machine doit être branchée:

- Contrôler le niveau d'huile dans le groupe d'alimentation. Pour ce faire, contrôler le niveau sur la jauge.

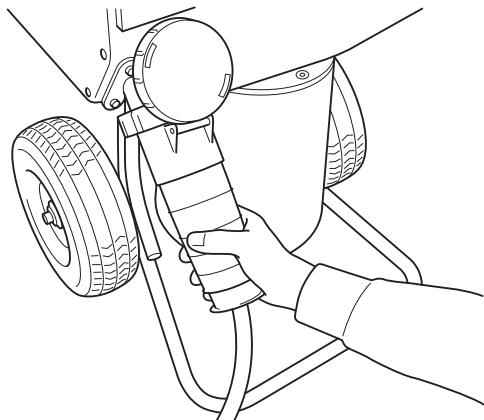
Niveau min. = ligne rouge

Niveau max. = ligne noire

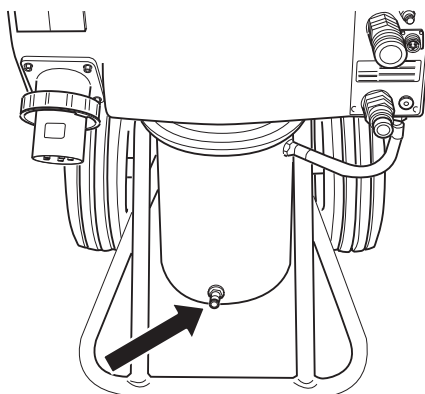
Ne pas dépasser le niveau maximal lors du remplissage d'huile. L'huile se dilate quand elle est chaude et risque de déborder si le niveau est trop élevé. Volume du réservoir 16 l.



- Brancher le câble d'alimentation électrique (400 V, 63 A ou 400 V, 32 A, prise européenne). Le conducteur doit être à trois phases et avec terre de protection. Si la machine est équipée d'une prise monophasée, le zéro doit aussi être présent dans la mesure où les prises monophasées sur la centrale électrique ne fonctionnent pas sans lui. Contrôler que la tension secteur est conforme aux indications sur la plaque de la machine.
- Le groupe hydraulique doit être raccordé à l'aide d'un fusible 63 A afin de pouvoir en utiliser la pleine puissance. S'il est raccordé par le biais d'un fusible 32 A, il convient d'utiliser la scie à une faible pression et de travailler en puissance réduite pour éviter de surcharger le fusible.



- Raccorder le tuyau d'arrivée d'eau au raccord d'eau situé en bas à l'avant du moteur sur le groupe hydraulique.



- Connecter la commande à distance à l'aide du câble CAN joint à la livraison. Visser le contact du câble à la main.

Le bus CAN doit être débranché si la machine est équipée d'une radio. Il n'est pas nécessaire de brancher une antenne ou d'autres accessoires au contact CAN.

- Veiller à ne pas appuyer sur le bouton d'arrêt d'urgence du groupe moteur ni sur le bouton d'arrêt de la commande à distance en les tournant dans le sens des aiguilles d'une montre.
- L'affichage indique maintenant CHOIX FUSIBLE 32A. Si le fusible disponible est de 32 A, confirmer cette information en appuyant sur la touche tactile « OK ». Si un fusible de 63 A est disponible, appuyer sur la touche tactile marquée « Flèche vers le haut ». L'affichage indique maintenant CHOIX FUSIBLE 63A. Confirmer en appuyant sur la touche tactile marquée « OK ».
- Connecter l'ensemble de flexibles. Raccorder les flexibles hydrauliques dans cette position. Une fonction d'équilibrage des pressions facilitant le raccordement des flexibles est maintenant activée. Cela épargne les joints des coupleurs hydrauliques.

Deux types de flexibles hydrauliques sont utilisés pour le groupe hydraulique :

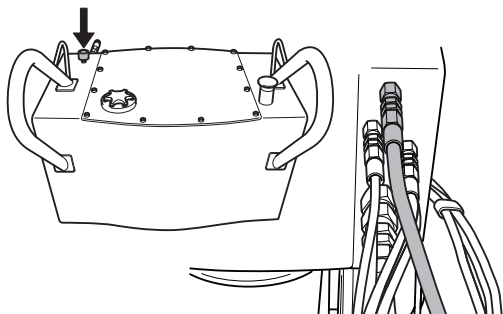
- Sur une scie murale de la série WS 400, les quatre flexibles fins commandent les moteurs d'alimentation de la scie, c'est-à-dire l'alimentation d'entrée et sortie ainsi que l'alimentation en longueur de la scie. Les deux gros flexibles entraînent la lame.

- Si une scie à câble CS 2512 est connectée au groupe, deux des flexibles fins commandent la tension du bras de magasin tandis que les deux gros flexibles entraînent le câble.

Certains raccords sur le groupe sont repérés avec une plaque avec des marquages rouges. À ces raccords sont connectés les flexibles munis de rondelles rouges.

# MONTAGE ET RÉGLAGES

- Connecter le tuyau d'eau entre le groupe et le raccord d'eau de la scie et ouvrir la vanne de dosage d'eau sur le dessus du groupe en tournant la manette dans le sens contraire des aiguilles d'une montre.



Quand le câble électrique et le tuyau d'eau et le paquet de flexibles sont connectés, la machine peut être démarrée.

- Appuyer sur OK pour confirmer le choix.
- La puissance hydraulique doit être réglée en fonction de la machine raccordée au groupe hydraulique. Choisir l'une des options suivantes :
  - 25kW, 230 bars, 65 l/min
  - 9 kW, 140 bars, 40 l/min
- L'affichage doit maintenant indiquer « PP-455 MARCHÉ MOTEUR ÉL ». Si l'affichage n'indique pas cette information, suivre les instructions figurant sur l'affichage.

# COMMANDE

## Équipement de protection

### Généralités

Ne jamais utiliser une machine s'il n'est pas possible d'appeler au secours en cas d'accident.

### Équipement de protection personnelle

Un équipement de protection personnelle homologué doit impérativement être utilisé lors de tout travail avec la machine. L'équipement de protection personnelle n'élimine pas les risques mais réduit la gravité des blessures en cas d'accident. Demander conseil au concessionnaire afin de choisir un équipement adéquat.



**AVERTISSEMENT!** L'utilisation de produits tels que des ciseaux, des disques, des forets, des disques fins ou des formes peut générer de la poussière et des vapeurs pouvant contenir des substances chimiques toxiques. Vérifiez la composition du matériel avec lequel vous travaillez et portez un masque respiratoire adapté.



**AVERTISSEMENT!** Une exposition prolongée au bruit risque de causer des lésions auditives permanentes. Toujours utiliser des protecteurs d'oreille agréés. Soyez toujours attentifs aux signaux d'alerte ou aux appels en portant des protège-oreilles. Enlevez-les sitôt le moteur arrêté.



**AVERTISSEMENT!** Le risque de coincement est toujours présent lors de travail avec des produits comportant des éléments mobiles. Utiliser des gants de protection pour éviter les blessures personnelles.

Toujours utiliser:

- Casque de protection
- Protecteur d'oreilles
- Lunettes protectrices ou visière
- Masque respiratoire
- Gants solides permettant une prise sûre.
- Vêtements confortables, robustes et serrés qui permettent une liberté totale de mouvement.
- Bottes avec coquille en acier et semelle antidérapante

Attention! Les habits, les cheveux longs et les bijoux peuvent se coincer dans les parties en mouvement.

### Autre équipement de protection



**AVERTISSEMENT!** Lorsque vous travaillez avec la machine, des étincelles peuvent se former et mettre le feu. Gardez toujours à portée de main les outils nécessaires à l'extinction d'un feu.

- Matériel de protection contre le feu
- Une trousse de premiers secours doit toujours être disponible.

## Instructions générales de sécurité



**AVERTISSEMENT!** Lire toutes les consignes et instructions de sécurité. Le non-respect des consignes et instructions peut provoquer une électrocution, un incendie et/ou des blessures graves.

Le présent chapitre décrit les consignes de sécurité de base relatives à l'utilisation de la machine. Aucune de ces informations ne peut remplacer l'expérience et le savoir-faire d'un professionnel.

- Lire attentivement et bien assimiler le manuel d'utilisation avant d'utiliser la machine.
- Il convient de parcourir le manuel fourni avec le groupe hydraulique avant de commencer à utiliser la machine.
- N'oubliez pas que l'opérateur est responsable des accidents ou dangers aux tiers et à leurs biens.
- Tous les opérateurs doivent recevoir une formation sur l'utilisation de la machine. Il incombe au propriétaire de garantir que les opérateurs reçoivent une formation.
- La machine doit rester propre. Les signes et autocollants doivent être parfaitement lisibles.



**AVERTISSEMENT!** La machine utilisée de manière imprudente ou inadéquate peut devenir un outil dangereux, pouvant causer des blessures graves voire mortelles à l'utilisateur et aux autres personnes présentes.

Ne jamais permettre à des enfants ou à des personnes ne possédant pas la formation nécessaire d'utiliser ou d'entretenir la machine. Ne jamais laisser d'autres personnes utiliser la machine sans s'être assuré au préalable que ces personnes ont bien compris le contenu du mode d'emploi.

N'utilisez jamais la machine si vous êtes fatigué, avez bu de l'alcool ou pris des médicaments susceptibles d'affecter votre vue, votre jugement ou la maîtrise de votre corps.



**AVERTISSEMENT!** Toute modification non autorisée et/ou tout emploi d'accessoires non homologués peuvent provoquer des accidents graves voire mortels pour l'utilisateur et les autres.

Ne modifiez jamais cette machine de façon à ce qu'elle ne soit plus conforme au modèle d'origine et n'utilisez jamais une machine qui semble avoir été modifiée.

Ne jamais utiliser une machine qui n'est pas en parfait état de marche. Appliquer les instructions de maintenance et d'entretien ainsi que les contrôles de sécurité indiqués dans ce manuel d'utilisation. Certaines mesures de maintenance et d'entretien doivent être confiées à un spécialiste dûment formé et qualifié. Voir les instructions à la section Maintenance.

N'utiliser que des accessoires et des pièces d'origine.

## Utilisez toujours votre bon sens

Il est impossible de mentionner toutes les situations auxquelles vous pouvez être confronté. Soyez toujours vigilant et utilisez l'appareil avec bon sens. Si vous êtes confronté à une situation où vous pensez ne pas être en sécurité, arrêtez immédiatement et consultez un spécialiste. Veuillez contacter votre revendeur, votre atelier de réparation ou un utilisateur expérimenté. Il convient d'éviter tous les travaux pour lesquels vous ne vous sentez pas suffisamment qualifié !

## Sécurité du travail

### Sécurité dans l'espace de travail

- **Maintenir un espace de travail propre et bien éclairé.**  
Les espaces encombrés ou sombres exposent à des accidents.
- La distance de sécurité est de 4 mètres par rapport à la machine.
- Contrôlez toujours et marquez les emplacements des conduites de gaz. Scier près d'une conduite de gaz est toujours synonyme de danger. Veillez à éviter la formation d'étincelles lors du sciage en raison d'un certain risque d'explosion. L'opérateur doit toujours être attentif et concentré sur son travail. La négligence peut causer des blessures personnelles graves voire mortelles.
- N'utilisez pas la machine dans des milieux présentant un risque d'explosion.
- Assurez-vous qu'aucun tuyau ou câble électrique ne passe dans le matériau à découper ou par la zone de travail.
- Contrôlez que les câbles électriques présents dans la zone de travail ne sont pas sous tension.
- Observez la zone environnante et assurez-vous qu'aucun facteur ne risque d'affecter votre contrôle de la machine.
- Ne pas travailler par mauvais temps: brouillard épais, pluie diluvienne, vent violent, grand froid, etc. Travailler par mauvais temps est fatiguant et peut créer des conditions de travail dangereuses telles que le verglas.
- Ne pas utiliser la machine dans un environnement mouillé ou humide, à proximité d'eau, sous la pluie ou la neige.
- Ne jamais commencer à travailler avec la machine sans avoir le champ libre et les pieds bien d'aplomb.

## Sécurité électrique



**AVERTISSEMENT! Il existe toujours un risque de choc avec les machines électriques. Évitez de travailler par mauvais temps ainsi que tout contact du corps avec du métal/un parafoudre. Suivez toujours les instructions du manuel d'utilisation pour éviter tout dommage.**



**AVERTISSEMENT! Ne lavez pas la machine avec de l'eau. Elle peut en effet s'infiltrer dans le système électrique ou le moteur et ainsi endommager la machine ou provoquer un court-circuit.**

- Toujours brancher la machine via un disjoncteur de fuite à la terre avec protection personnelle, par exemple un disjoncteur de fuite à la terre qui s'enclenche à un défaut à la terre de 30 mA.
- La machine doit être branchée à une prise de terre.
- Contrôler que la tension secteur est conforme aux indications sur la plaque de la machine.
- Contrôler que le câble et la rallonge sont entiers et en bon état. Utilisez toujours des câbles de raccordement agréés pour une utilisation à l'extérieur.
- Ne jamais utiliser la machine si tout câble ou bouchon est endommagé. Il convient dès lors de la confier à un atelier d'entretien agréé.
- N'utilisez pas la rallonge lorsqu'elle est enroulée afin d'éviter toute surchauffe.
- Ne tirez jamais la machine par le câble d'alimentation et ne la débranchez jamais en tirant sur le câble.
- Conserver tous les câbles et toutes les rallonges loin de l'eau, de l'huile et des bords tranchants. Veiller à ce que le câble ne soit pas coincé dans des portes, des clôtures ou d'autres équipements similaires. Des objets pourraient alors être sous tension.

## Sécurité hydraulique

- Contrôlez que tous les raccords, connexions et flexibles hydrauliques sont intacts.
- Maintenez les flexibles hydrauliques et les raccords propres.
- Ne maltraitez pas les flexibles.
- Ne pas utiliser de tuyaux tordus, usés ou endommagés.
- Contrôlez que les flexibles sont raccordés correctement à la machine et que les raccords hydrauliques se verrouillent comme prévu avant de mettre le système hydraulique sous pression. Pour verrouiller les raccords, tournez la douille extérieure du raccord femelle afin que la rainure s'éloigne de la boule.

Les tuyaux de pression du système doivent toujours être connectés à l'entrée de l'outil. Les tuyaux de retour du système doivent toujours être connectés à la sortie de l'outil. Si les raccords sont inversés, l'outil travaille à l'envers et risque ainsi de blesser les personnes.

# COMMANDE

- Ne jamais soulever la machine par les flexibles hydrauliques.
- Contrôlez tous les jours que la machine, les raccords et les flexibles hydrauliques ne présentent pas de fuites. Toute fissure ou fuite risque d'entraîner une « injection d'huile » dans le corps ou de causer une blessure corporelle grave.
- Ne débranchez jamais les flexibles hydrauliques avant d'avoir arrêté l'unité hydraulique et avant que le moteur ne se soit complètement arrêté. En cas d'urgence, appuyez sur le bouton rouge d'arrêt d'urgence sur le dessus du groupe ou appuyez sur le bouton vert de marche/arrêt sur la commande à distance.
- Ne dépassez pas le débit et la pression d'huile recommandés pour l'outil utilisé. Un débit ou une pression trop élevés peut causer des fissures.
- Ne jamais essayer de localiser une fuite avec la main. Le contact avec une fuite peut causer des blessures personnelles graves en raison de la pression élevée du système hydraulique.
- Quand des outils hydrauliques sont utilisés sur ou près de lignes électriques, utilisez des flexibles marqués et agréés comme « non conducteurs d'électricité ». L'utilisation d'autres flexibles peut résulter en des blessures personnelles graves voire mortelles.
- Si les flexibles doivent être changés, veillez à les remplacer par des flexibles de type « non conducteur d'électricité ». Contrôlez régulièrement l'isolation électrique des conducteurs des flexibles selon les instructions spécifiques.
- Avant de commencer l'opération de sciage, faire tourner le système hydraulique jusqu'à ce qu'il atteigne sa température de fonctionnement de 30°C, pour réduire la pression de retour et les usures.

## Sécurité du personnel

- N'utilisez jamais la machine si vous êtes fatigué, avez bu de l'alcool ou pris des médicaments susceptibles d'affecter votre vue, votre jugement ou la maîtrise de votre corps.
- Évitez tout démarrage accidentel. Vérifiez que l'interrupteur est en position OFF.
- Ne laissez jamais la machine sans surveillance avec le moteur en marche.
- Débranchez toujours la machine en cas d'interruption prolongée du travail.
- Ne travaillez jamais seul, mais toujours avec une personne à proximité. Cette personne peut aider à monter la machine, mais aussi intervenir en cas d'accident.
- Des personnes ou des animaux peuvent détourner l'attention de l'opérateur et l'amener à perdre le contrôle de la machine. C'est pourquoi l'opérateur doit toujours être attentif et concentré sur son travail.
- Les personnes devant se tenir à proximité doivent porter des protecteurs d'oreilles car le niveau sonore lors du sciage dépasse 85 dB(A).
- Ne sciez jamais d'une manière vous empêchant l'accès au bouton d'arrêt d'urgence.

## Utilisation et entretien

- Cette machine est uniquement destinée à être utilisée avec Husqvarna WS 355, WS 463, WS 462, WS 460 et CS 2512. Toute autre utilisation est interdite.
- La machine est conçue pour des applications industrielles et destinée à des opérateurs expérimentés.
- Les contrôles et/ou les entretiens doivent être effectués avec le moteur à l'arrêt et la prise électrique débranchée.
- Arrêtez toujours la machine avant de la déplacer.
- Faites preuve de prudence en cas de levage. Le maniement de pièces lourdes implique un risque de coinçage ou autre blessure.
- Vérifiez que tous les couplages, raccordements et câbles sont intacts et qu'ils sont propres.
- Vérifiez que tous les câbles et l'arrivée d'eau sont correctement branchés sur la machine avant de la démarrer.
- Ne jamais débrancher le câble d'alimentation électrique sans avoir préalablement éteint le groupe moteur et attendu que le moteur s'arrête complètement. Si vous êtes confronté à une situation d'urgence, appuyez sur le bouton d'arrêt d'urgence rouge sur le groupe moteur ou sur le bouton d'arrêt de la commande à distance.
- Assurez-vous que toutes les pièces sont en état de fonctionnement et que tous les éléments de fixation sont correctement serrés.

## Transport et rangement

- Veillez à toujours éteindre le groupe moteur et à débrancher le câble électrique avant de déplacer l'équipement.
- Utilisez les boîtes fournies pour le remisage de l'équipement.
- Sécurisez l'équipement lors du transport afin d'éviter tout dommage ou accident.
- Stockez l'équipement dans un endroit verrouillé afin de le maintenir hors de portée des enfants et de toute personne incompétente.
- Rangez la machine et ses équipements dans un endroit sec et à l'abri du gel.
- N'exposez pas la machine à des températures dépassant 45°C ou aux rayons directs du soleil.



# SYSTÈME DE MENUS

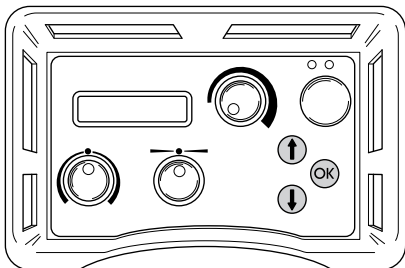
## Généralités

Cette section se base sur le modèle 400V de PP 455 E avec alimentation à cinq broches. Il est possible que le système de menus diffère légèrement pour d'autres modèles.

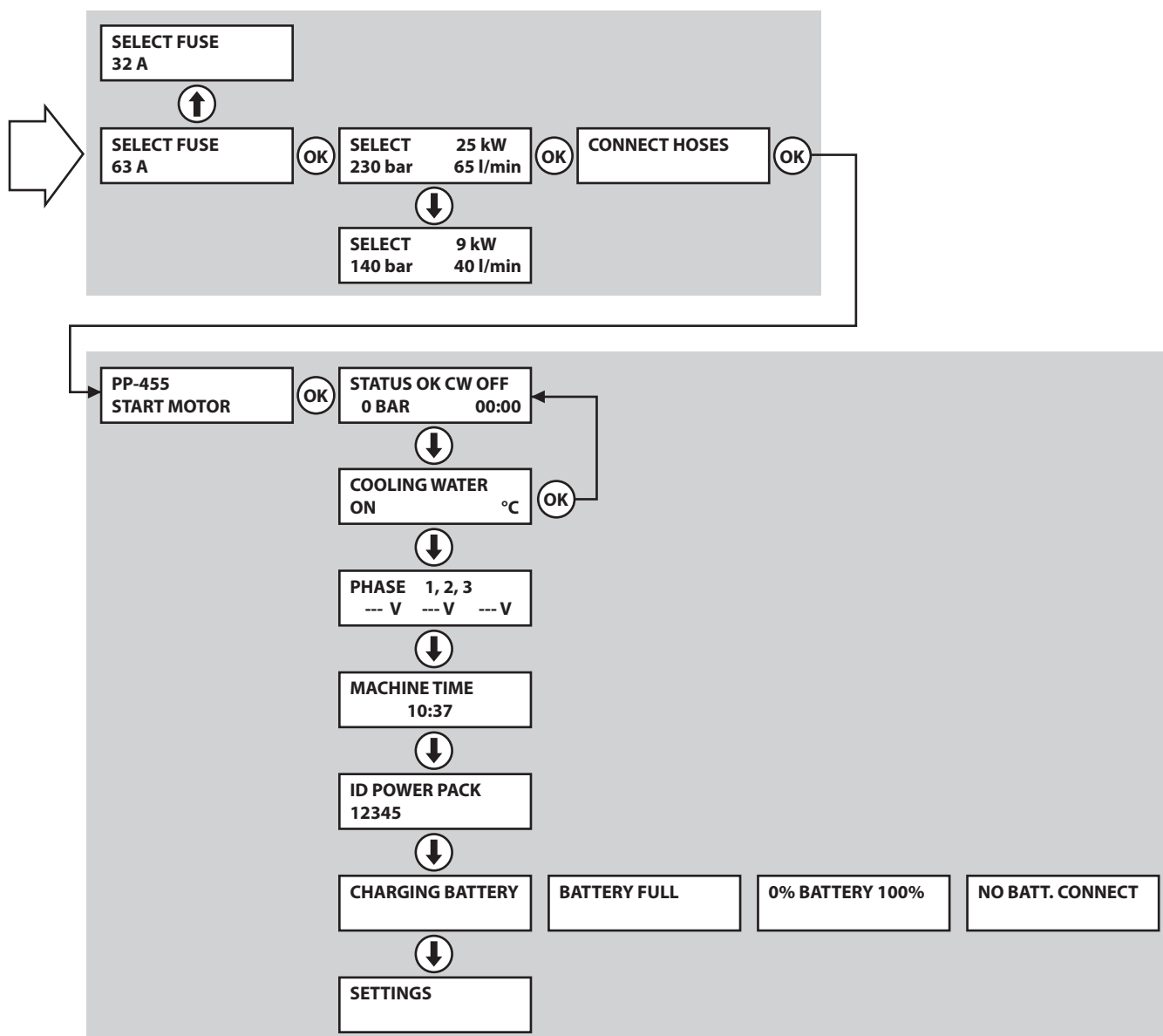
Les menus sont divisés en deux sections :

- Menu de démarrage
- Menu de fonctionnement

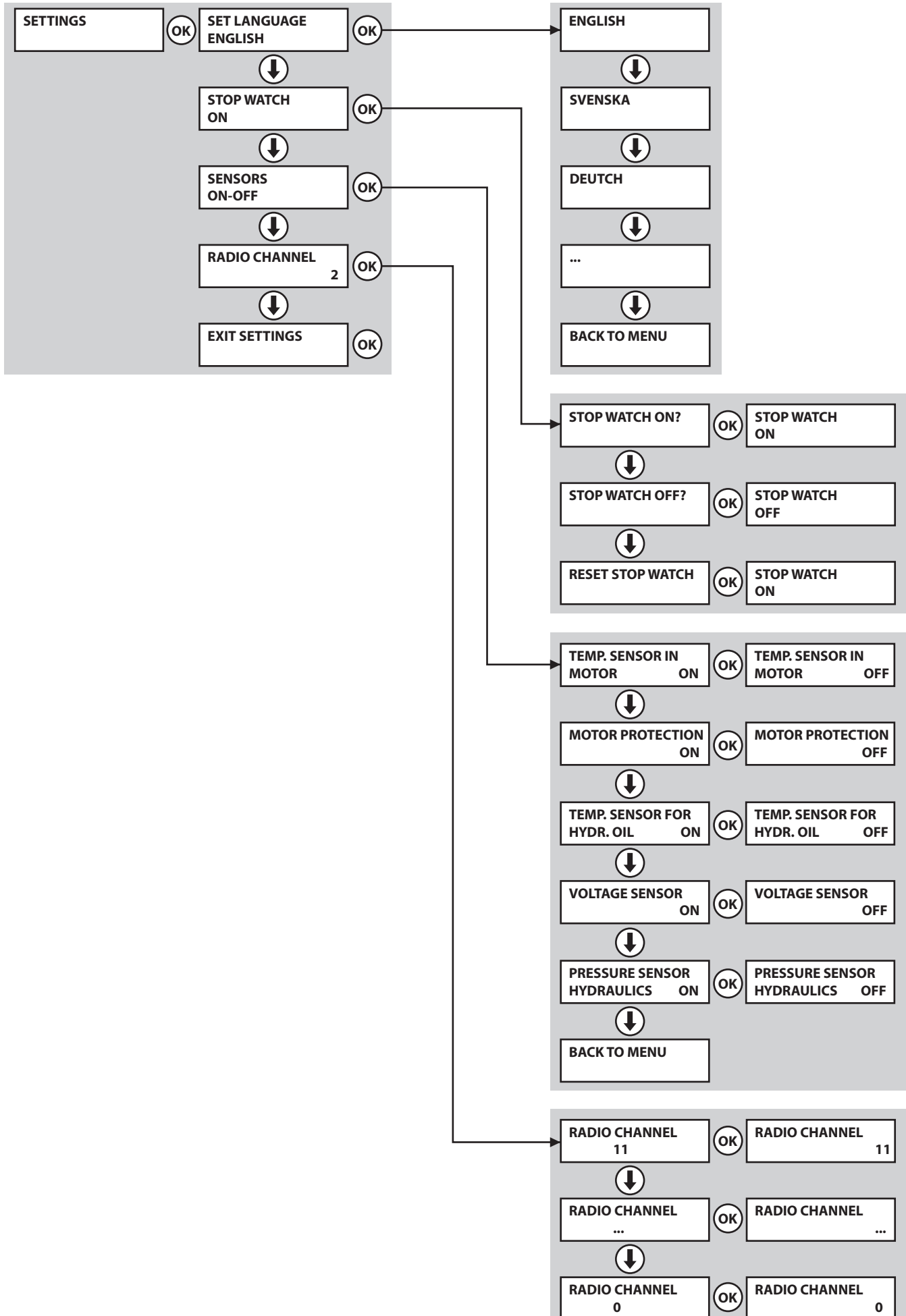
Utiliser les flèches et confirmer avec "OK".



## Vue d'ensemble des menus



# SYSTÈME DE MENUS



# SYSTÈME DE MENUS

## Menu de démarrage

Le menu de démarrage s'affiche à chaque fois que le groupe hydraulique est mis sous tension.

### CHOIX FUSIBLE

Le niveau de fusible doit être réglé en fonction du fusible auquel est connecté le groupe hydraulique. Choisir l'une des options suivantes :

- 32A
- 63A
- Appuyer sur OK pour confirmer le choix.

### CHOIX ALIMENTATION

La puissance hydraulique doit être réglée en fonction de la machine raccordée au groupe hydraulique. Choisir l'une des options suivantes :

- 25 kW, 230 bar, 65 l/min (3300 psi, 17 US gpm)
- 9 kW, 140 bar, 40 l/min (2000 psi, 10 US gpm)
- Appuyer sur OK pour confirmer le choix.

### CONNEXION TUYAUX

Raccorder les flexibles hydrauliques dans cette position. Une fonction d'équilibrage des pressions facilitant le raccordement des flexibles est maintenant activée. Cela épargne les joints des coupleurs hydrauliques.

- Appuyer sur OK lorsque tous les tuyaux sont connectés.

## Menu de fonctionnement

Ce menu donne accès à toutes les informations sur le fonctionnement et aux possibilités de paramétrage.

### MARCHE MOTEUR EL

- Appuyer sur le bouton vert de la commande à distance pour démarrer le moteur électrique.

### ETAT

Le statut est l'information principale qui apparaît toujours sur l'affichage lorsque le groupe hydraulique est en fonctionnement avec une machine connectée.

- OK signifie que le groupe est en fonctionnement et qu'il n'y a aucun message d'avertissement.
- ER xx, où ER signifie eau de refroidissement et xx MARCHE ou ARRÊT. L'indication affichée diffère si l'eau de refroidissement est connectée ou non.
- yyy BAR, où yyy représente la pression de fonctionnement instantanée.
- Si la fonction de mesure du temps est activée, l'affichage indique également : mm:ss, c-à-d le temps en minutes et secondes.

### EAU DE REFROID

Mettez l'eau de refroidissement sur (ON) ou annulez le mode (AUTO) en appuyant sur OK.

La température actuelle de l'eau de refroidissement est indiquée à l'écran.

## PH 1 PH 2 PH 3

Sous chaque dénomination de phase est indiquée la tension principale instantanée du groupe hydraulique.

Si la tension baisse, un message d'erreur apparaît sur l'affichage, voir le chapitre « Messages d'erreur ».

**ATTENTION !** Les câbles électriques longs avec une petite surface de section des conducteurs peuvent entraîner une chute de tension. Le groupe hydraulique peut alors émettre un avertissement de basse tension.

## TEMPS MACH TOTAL

Indique la durée totale de rotation de la lame/du câble pour l'unité électrique branchée.

## ID POWER PACK

Indique le numéro d'identification de l'unité hydraulique.

## BATTERIE

Cette fonction contrôle la batterie de la commande à distance. L'affichage indique différents messages en fonction du statut actuel de la batterie :

- CHARGING BATTERY - Le câble CAN est branché et la batterie est en charge.
- BATTERY FULL - La batterie est complètement chargée.
- 0% BATTERY 100% - La barre montre l'état de la batterie.
- NO BATT. CONNECT - Aucune batterie ne peut être détectée.

## PARAMETRES

Ce sous-menu permet d'accéder à toutes les possibilités de paramétrage du groupe hydraulique et de la commande à distance.

### SET LANGUAGE

Pour choisir une langue :

- Appuyer sur les touches fléchées jusqu'à affichage de la langue désirée.
- Appuyer sur OK pour confirmer le choix.

### MESURE TEMPS

Cette fonction s'utilise pour mesurer le temps nécessaire à un travail. Le temps est mesuré à partir du moment où la scie commence à travailler.

Sélectionner :

- ON pour activer.
- OFF pour désactiver.
- RÉINIT. CHRONO pour remettre à zéro.

Utiliser les flèches et confirmer avec "OK".

# SYSTÈME DE MENUS

## CAPTEURS ON/OFF

Ce sous-menu contient les options de réglage pour les différents capteurs de l'unité hydraulique.

- CAPTEUR TEMP MOTEUR EL

Le moteur est équipé d'un capteur de température garantissant que le moteur s'éteigne si la température atteint un niveau critique.

Alternez entre ON et OFF en appuyant sur le bouton OK.

**ATTENTION !** Le moteur électrique risque d'être endommagé si le capteur est éteint.

- PROTECT. MOTEUR

L'unité hydraulique est équipée d'un capteur garantissant que le moteur s'éteigne en cas de surcharge ou d'erreurs de phase.

Alternez entre ON et OFF en appuyant sur le bouton OK.

**ATTENTION !** Le moteur électrique risque d'être endommagé si le capteur est éteint.

- CAPTEUR TEMP HUILE HYDR.

Un capteur de température est monté au niveau du conduit d'eau de refroidissement. Ce capteur contrôle que l'eau de refroidissement est connectée au groupe hydraulique. L'eau de refroidissement refroidit l'huile hydraulique. Lorsque le capteur de température est en marche, le système de commande contrôle constamment la température.

Alternez entre ON et OFF en appuyant sur le bouton OK.

**ATTENTION !** Le groupe hydraulique risque d'être endommagé si le capteur de température est arrêté.

- TENSION

Un capteur de tension est connecté à chaque phase, c.-à-d. au total trois capteurs. Ils mesurent la tension de phase du groupe hydraulique. Si la tension est inférieure de 10% à la tension nominale, le groupe hydraulique s'arrête.

Alternez entre ON et OFF en appuyant sur le bouton OK.

**ATTENTION !** Si les capteurs de tension sont arrêtés, le moteur électrique risque de surchauffer en raison d'une tension trop basse.

- CAPTEUR PRESSION HYDR.

Ce capteur de pression mesure la pression hydraulique vers la lame.

Alternez entre ON et OFF en appuyant sur le bouton OK.

**REMARQUE!** Le système de régulation du groupe hydraulique s'arrête si le capteur de pression est arrêté. Il peut alors être difficile de commander et contrôler le système hydraulique en cas de forte charge.

- RETOUR AU MENU

Appuyez sur le bouton OK pour quitter ce sous-menu.

## RADIO CHANNEL (machines équipées de radio seulement)

La télécommande doit être branchée à la machine via un câble CAN.

- Sélectionnez le canal radio requis. Choisissez entre les options suivantes :

- 0
- 1
- ...
- 11

Utiliser les flèches et confirmer avec "OK".

## SORTIE PARAMETR.

Tous les paramètres sont enregistrés automatiquement.

- Appuyez sur le bouton OK pour quitter ce sous-menu.

# DÉMARRAGE ET ARRÊT

## Généralités



**AVERTISSEMENT!** Lire attentivement et bien assimiler le manuel d'utilisation avant d'utiliser la machine.

Utiliser les équipements de protection personnelle. Voir au chapitre "Équipement de protection personnelle".

Veiller à ce qu'aucune personne non autorisée ne se trouve dans la zone de travail pour éviter le risque de blessures graves.

Vérifiez que la machine est correctement montée et ne présente aucun dommage. Voir les instructions à la rubrique « Assemblage et réglages ».

- Effectuez un entretien quotidien. Voir les instructions au chapitre « Entretien ».

## Sciage mural

### Avant de démarrer la machine

**IMPORTANT!** S'assurer que le disque et le carter de disque sont installés correctement avant d'allumer le groupe hydraulique.

Avant de mettre en marche le moteur, contrôler que :

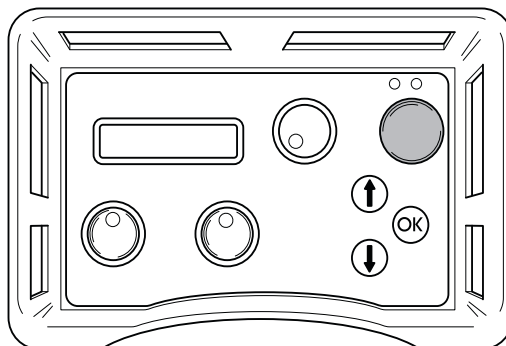
- le câble électrique d'entrée est protégé au moins par un fusible de 25 A.
- Une puissance de 32 A ou 63 A est sélectionnée.

Dans le cas contraire, si vous appuyez sur le bouton de démarrage, un message apparaît à l'écran pour vous l'indiquer.

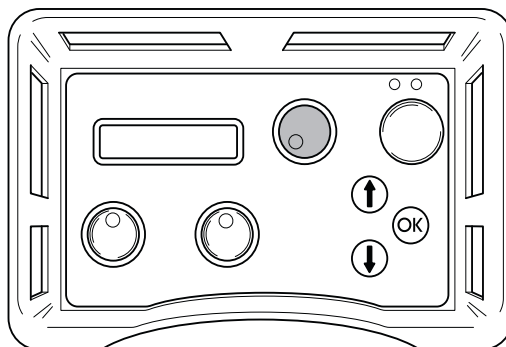
- les flexibles ont été connectés à un équipement.
- Avant de commencer l'opération de sciage, faire tourner le système hydraulique jusqu'à ce qu'il atteigne sa température de fonctionnement de 30°C, pour réduire la pression de retour et les usures.
- Toutes les commandes de la commande à distance sont réglées en position zéro. Dans le cas contraire, si vous appuyez sur le bouton de démarrage, un message apparaît à l'écran pour vous l'indiquer.

## Démarrage

- Démarrer le moteur électrique en appuyant une fois sur le bouton vert de la commande à distance. Le démarrage Y/D s'effectue automatiquement. Grâce au relais de séquence de phase, le sens de rotation est toujours correct.

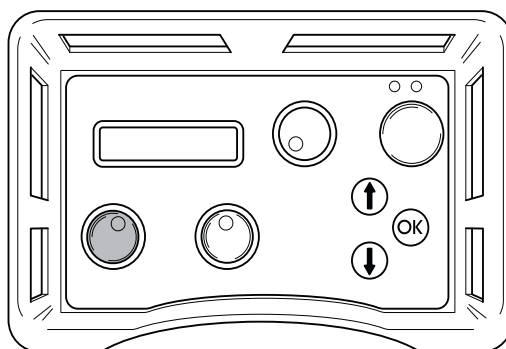


- Tourner la commande de rotation de la lame et de l'eau de refroidissement sur le débit maximum pour lancer la rotation de la lame et l'eau de refroidissement.

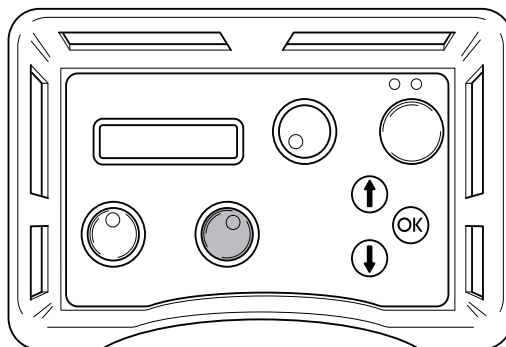


La quantité d'eau peut être réglée manuellement à l'aide de la manette sur le dessus du groupe.

- Démarrer l'alimentation d'entrée en tournant la manette correspondante sur la commande à distance dans le sens souhaité.



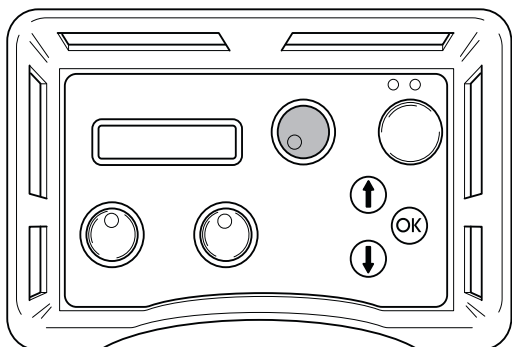
- Démarrer l'alimentation en longueur en tournant la manette correspondante dans le sens souhaité.



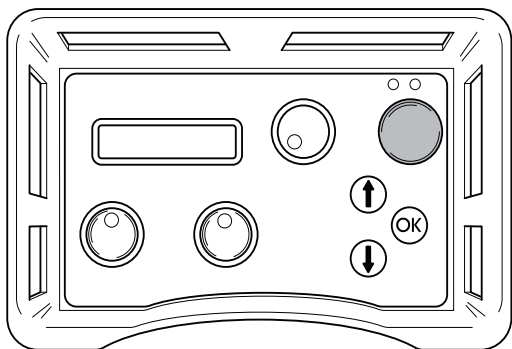
# DÉMARRAGE ET ARRÊT

## Arrêt

- 1 Une fois le travail terminé, arrêter la rotation de la lame et le rinçage à l'eau en tournant les manettes respectives de ces fonctions (situées sur la commande à distance) sur « 0 ».

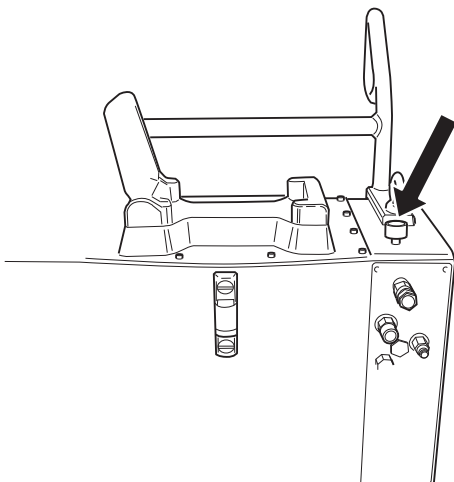


- 2 Arrêter le moteur électrique en appuyant sur le bouton vert de la commande à distance.



## Vanne d'eau

Quand l'alimentation en courant du groupe hydraulique est coupée, la vanne d'eau s'ouvre pour que le refroidisseur puisse être vidé avant le transport et pour éviter que le refroidisseur ne soit détruit par le gel en cas de températures au-dessous de zéro. Le groupe peut être transporté debout ou couché. Si le courant est coupé durant le sciage, il est possible de couper l'eau en tournant la vanne de dosage d'eau (située sur le dessus groupe) dans le sens des aiguilles d'une montre jusqu'à l'arrêt. En tournant la vanne de dosage d'eau, il est également possible de réduire la quantité d'eau vers l'outil hydraulique connecté.



## Démontage de l'équipement

- 1 Laisser le moteur s'arrêter complètement.
- 2 Déconnecter le câble électrique d'entrée avant de débrancher les tuyaux d'eau.
- 3 Débrancher les flexibles hydrauliques.
- 4 En cas de risque de gel, vider le refroidisseur à huile de son contenu d'eau en débranchant les deux tuyaux avant d'ouvrir la vanne de dosage d'eau et d'incliner le groupe vers l'avant.

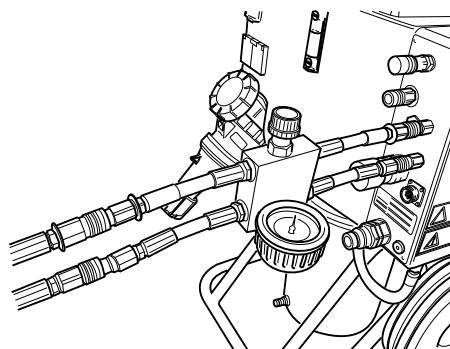
**IMPORTANT!** Toujours nettoyer l'équipement complet à la fin de la journée de travail. Éviter d'utiliser de l'eau sous haute pression lors du nettoyage de la machine.

## Découpe au câble

### Avant de démarrer la machine

**IMPORTANT!** Ne pas raccorder les deux gros flexibles hydrauliques à la scie avant que le câble soit correctement placé et tendu et avant que toutes les protections soient correctement installées.

- Avant de mettre en marche le moteur, contrôler que :
  - le câble électrique d'entrée est protégé au moins par un fusible de 25 A.
  - Une puissance de 32 A ou 63 A est sélectionnée. Dans le cas contraire, si vous appuyez sur le bouton de démarrage, un message apparaît à l'écran pour vous l'indiquer.
- Monter le bloc de réduction de pression livré avec la scie à câble sur le groupe hydraulique conformément aux instructions figurant sur le bloc.
- Raccorder deux des flexibles hydrauliques fins au bloc de réduction de pression. Le flexible de l'ensemble de flexibles qui est marqué d'une rondelle rouge au niveau du raccord doit être raccordé au flexible du bloc de réduction de pression qui est également pourvu d'une rondelle.

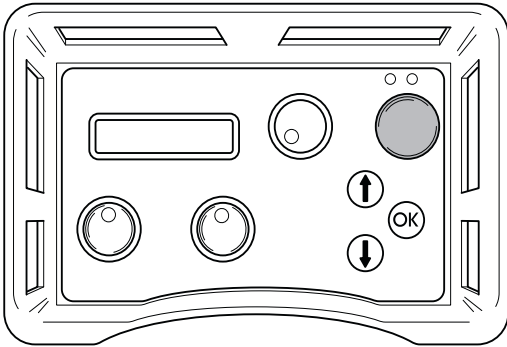


- Fermer la vanne du bloc de réduction de pression en tournant la manette à fond dans le sens contraire des aiguilles d'une montre, puis de deux tours dans l'autre sens.

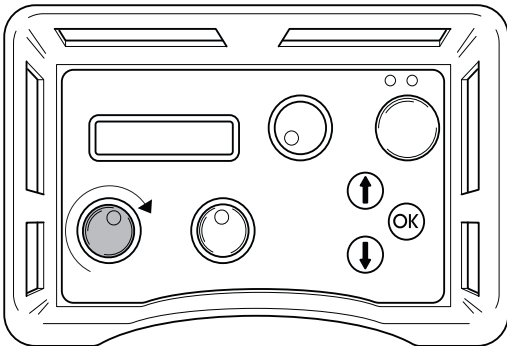
# DÉMARRAGE ET ARRÊT

## Démarrage

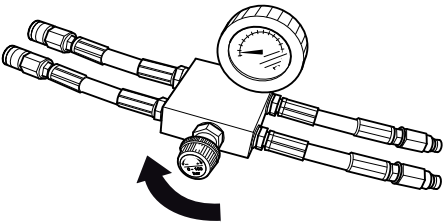
- 1 Démarrer le moteur électrique en appuyant une fois sur le bouton vert de la commande à distance.



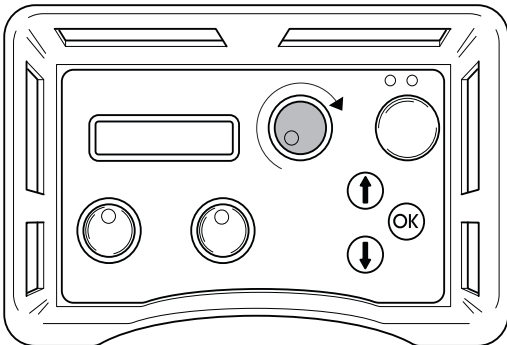
- 2 Régler le débit d'alimentation du groupe sur max. en tournant la commande du boîtier de commande à distance dans le sens des aiguilles d'une montre.



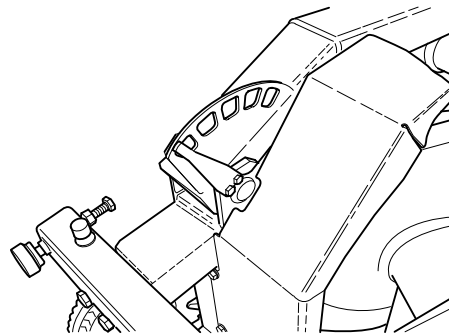
- 3 Tendre le câble en tournant prudemment la manette du bloc de réduction de pression dans le sens des aiguilles d'une montre jusqu'à ce que le câble soit correctement tendu. Veiller constamment à contrôler que le câble est en position correcte dans toutes les roues de la scie.



- 4 Démarrer l'entraînement du câble en tournant dans le sens des aiguilles d'une montre la commande de rotation du moteur sur le boîtier de commande à distance.



- 5 Augmenter prudemment le régime du moteur en tournant la commande de rotation du moteur. La pression de travail recommandée pour le sciage est en général entre 100 et 130 bars mais varie en fonction, par exemple, du nombre de paires de roues utilisées dans le magasin, de la quantité de câble en jeu et de la dureté du matériau à scier.
- 6 À mesure que le sciage progresse, la pression de travail diminue, ce qui est indiqué sur l'affichage, et le magasin doit être tendu. Effectuez ceci en tournant le volant du bloc de réduction de pression dans le sens des aiguilles d'une montre.
- 7 La tension du magasin est affichée par un indicateur sur la machine (en position min. sur l'illustration). Lorsque le cylindre du magasin est complètement tendu, la machine doit être arrêtée et le câble doit être enroulé autour d'une nouvelle paire de roues. Continuer ensuite le sciage comme décrit plus haut.



## Arrêt

- Diminuez la vitesse du câble et laissez le moteur s'arrêter complètement.
- Arrêter le moteur électrique en appuyant sur le bouton vert de la commande à distance.
- Débranchez les câbles électriques vers l'unité hydraulique.
- Débranchez les tuyaux hydrauliques et le tuyau d'eau de l'unité de sciage.
- Les autres étapes du démontage s'effectuent comme celle du montage mais dans l'ordre inverse.

**IMPORTANT!** Toujours nettoyer l'équipement complet à la fin de la journée de travail. Éviter d'utiliser de l'eau sous haute pression lors du nettoyage de la machine.

## Généralités



**AVERTISSEMENT! L'utilisateur ne peut effectuer que les travaux d'entretien et de révision décrits dans ce manuel d'utilisation. Les mesures plus importantes doivent être effectuées dans un atelier d'entretien agréé.**

**Les contrôles et/ou les entretiens doivent être effectués avec le moteur à l'arrêt et la prise électrique débranchée.**

La durée de vie de la machine risque d'être écourtée et le risque d'accidents accru si la maintenance de la machine n'est pas effectuée correctement et si les mesures d'entretien et/ou de réparation ne sont pas effectuées de manière professionnelle. Pour obtenir de plus amples informations, contacter l'atelier de réparation le plus proche.

## Entretien quotidien

- Vérifiez que l'équipement de sécurité de la machine est en parfait état. Voir instructions à la rubrique « Équipement de sécurité de la machine ».
- Contrôler que le câble et la rallonge sont entiers et en bon état.
- Contrôler le niveau d'huile dans le groupe d'alimentation. Le jet à haute pression peut endommager les joints et ainsi laisser de l'eau ou de la poussière pénétrer dans la machine, ce qui cause de graves dommages.
- Toujours nettoyer l'équipement complet à la fin de la journée de travail. Utilisez une brosse manuelle résistante ou un pinceau large.
- Veiller à garder les connecteurs et les broches propres. Nettoyer à l'aide d'un chiffon ou d'une brosse.

**ATTENTION ! Ne pas utiliser de nettoyeur haute pression pour le nettoyage de la machine.**

- Contrôler la pression des pneus.

## Changement d'huile



**AVERTISSEMENT! L'huile peut être dangereuse pour la santé et pour l'environnement.**

- Un bouchon magnétique situé sous le réservoir permet d'effectuer les vidanges. Nettoyer l'aimant.
- Ouvrir le bouchon à vis du réservoir et remplir d'huile hydraulique d'une viscosité de 46. Il est recommandé d'utiliser de l'huile hydraulique avec une viscosité de 68 dans les climats plus chauds. Vérifier que le niveau d'huile arrive à environ 10 mm sous le repère max. du tube d'observation.

Env. 16 litres d'huile sont nécessaires lors de la vidange.

## Remplacement du filtre

- Pour remplacer le filtre, desserrer les 12 vis du couvercle du réservoir et le retirer. Desserrer les trois vis du couvercle du carter du filtre et retirer le couvercle. Retirer la cartouche du filtre et mettre en place une nouvelle cartouche en veillant à ce qu'elle pénètre bien dans le manchon tubulaire au fond du carter du filtre.

## Service



**AVERTISSEMENT! Toutes les réparations doivent être effectuées par des réparateurs agréés. Ceci permet d'éviter que les opérateurs ne soient exposés à des risques importants.**

Après 100 heures d'utilisation apparaît à l'écran le message "Time for servicing" (entretien requis). Il convient alors de confier l'équipement complet à un revendeur Husqvarna agréé pour son entretien.

## Messages d'erreur

Dix messages d'erreurs différents peuvent apparaître sur l'affichage :

- ATTENTION ! BASSE TENSION (1A) CONTRÔLER L'ALIMENTATION EN TENSION ET LE CÂBLE VERS LE GROUPE HYDRAULIQUE
- BASSE TENSION PHASE X (1B) BASSE PUISSANCE 32A
- PROTECTION MOTEUR DÉCLENCHÉE (2)
- SURCHAUFFE MOTEUR (3) REFRROIDISS EN COURS. NE PAS ARRÊTER MOTEUR ÉL !
- TEMP. HUILE ÉLEVÉE (4) CONTRÔLER L'EAU VERS LE GROUPE HYDRAULIQUE
- CAPTEUR PRESSION (5) HORS SERVICE
- PRESSION HYDR. ÉLEVÉE (6) CONTR. GROUPE
- PAS DE CONTACT CONTRÔLER LE CÂBLE CAN (7)
- PAS DE CONTACT RADIO (8)

## Message d'erreur (1A)

**IMPORTANT! Basse tension Contrôler l'alimentation en tension et le câble vers le groupe hydraulique.**

Tension trop basse, causée par :

- Câble de connexion long
- Dimension de conducteur (surface de section) du câble électrique trop petite.

Une (ou plusieurs) phase(s) manque(nt), causée par :

- Un fusible s'est déclenché dans la centrale électrique.
- Câble électrique interrompu.
- Une ou plusieurs phases dans la centrale électrique ne sont pas sous tension.



## Solution (1A)

Appuyer sur OK pour confirmer le message d'erreur.

Le groupe hydraulique adapte alors la sortie de puissance maximale à 32A.

## Message d'erreur (1B)

« Basse tension Phase x basse puissance 32A », où x désigne la phase 1, 2 ou 3.

## Solution (1B)

Appuyer sur OK pour confirmer le message d'erreur. L'affichage indique que la puissance de sortie maximale est réglée à 32A. Si la tension reste basse, le moteur électrique s'arrête et un message d'erreur de basse tension s'affiche.

Appuyer sur OK et le groupe revient à la puissance maximale choisie lors de la mise en marche. Pour passer de 63A à 32A et vice versa, arrêter le groupe et le remettre en marche.

Relever la tension d'alimentation dans le menu de fonctionnement « Ph 1, 2, 3 ». Si, avant le démarrage du moteur, la tension est :

- Inférieure à 340V, contrôler qu'aucun conducteur du câble n'est interrompu et que la tension atteint la centrale électrique.
- Supérieure à 340V, contrôler les dimensions et la longueur du conducteur du câble.

## Message d'erreur (2)

« Protection moteur déclenchée »

## Cause (2)

Le moteur électrique est surchargé ou il manque une phase. La protection moteur, destinée à protéger le moteur électrique, s'est donc déclenchée.

## Solution (2)

Appuyer sur OK pour confirmer le message d'erreur. Contrôler que la tension vers le groupe hydraulique est présente sur les trois phases.

Relever la tension d'alimentation dans le menu de fonctionnement « Ph 1, 2, 3 ».

Si la tension vers une phase manque : Contrôler le câble électrique et la tension vers la centrale électrique. La protection moteur redémarre automatiquement dans les trois minutes.

Si la tension vers toutes les phases est supérieure à 340V : Attendre que la protection moteur redémarre. Puis redémarrer le groupe hydraulique.

Si la protection moteur se déclenche souvent, contacter le personnel d'entretien.

## Message d'erreur (3)

« Moteur surchauffé Refroid. en cours. Ne pas arrêter le moteur él. !

**IMPORTANT!** Ne pas arrêter le moteur, il risquerait d'être endommagé. Le moteur s'arrête automatiquement lorsqu'il est refroidi.

## Cause (3)

Température moteur élevée détectée

## Solution (3)

Appuyer sur OK pour confirmer le message d'erreur.

S'il est malgré tout nécessaire d'arrêter le moteur, confirmer d'abord le message d'erreur en appuyant sur OK.

L'affichage indique : REFROIDISSEMENT. Les vannes hydrauliques pour la lame et les alimentations sont arrêtées. Les mouvements d'alimentation peuvent cependant être remis en marche.

Lorsque la température du moteur est redescendue sous le niveau limite, l'affichage indique : MOTEUR REFROIDI APPUYER SUR OK.

Si le moteur surchauffe souvent, contacter le personnel d'entretien.

## Message d'erreur (4)

« Temp. huile élevée Contrôler l'eau vers le groupe hydraulique »

## Cause (4)

Le refroidissement de l'huile hydraulique n'a pas fonctionné.

## Solution (4)

Le moteur électrique s'arrête lorsque le message d'erreur s'affiche. Appuyer sur OK pour confirmer le message d'erreur. Contrôler que l'eau de refroidissement est connectée au groupe hydraulique et que l'eau coule vers la lame lorsque l'on tourne la manette de rotation de la lame.

## Message d'erreur (5)

« Capteur pression hors service »

## Cause (5)

Le capteur de pression pour la mesure de la pression hydraulique de la rotation de la lame ne fonctionne pas.

## Solution (5)

Appuyer sur OK pour confirmer le message d'erreur. Si le message d'erreur est répété, remplacer le capteur de pression.

## Message d'erreur (6)

« Pression hydr. élevée Contr. groupe »

## Cause (6)

La lame est coincée, ce qui entraîne une pression hydraulique élevée.

## Solution (6)

Appuyer sur OK pour confirmer le message d'erreur. Si le message d'erreur apparaît souvent, contacter le personnel d'entretien.

## Message d'erreur (7)

« Pas de contact Contrôler le câble CAN »

### Cause (7)

Dans les télécommandées équipées d'une radio et d'une batterie, cet avertissement s'affiche si la tension d'entrée vers le bloc d'alimentation disparaît.

Le câble CAN ou son contacteur est endommagé et le groupe hydraulique ne peut pas être contrôlé par l'intermédiaire de la commande à distance.

### Solution (7)

Appuyer sur OK pour confirmer le message d'erreur. Contrôler le câble et le contacteur et remplacer les parties endommagées. Contacter le personnel d'entretien si l'erreur persiste.

## Message d'erreur (8) – concerne les groupes équipés d'un système radio

« Pas de contact radio »

### Cause (8)

Le contact radio entre le groupe hydraulique et la commande à distance ne fonctionne pas.

### Solution (8)

Il peut être nécessaire d'effectuer d'autres mesures pour remédier à l'erreur :

- Contrôler (via le menu de fonctionnement - paramètres – radio id) que le numéro d'identification est supérieur à 0.
- Vérifier que le groupe hydraulique est en marche.
- S'approcher du groupe hydraulique afin d'éviter une trop grande distance ou des murs armés.

# CARACTÉRISTIQUES TECHNIQUES

## PP 455 E

Puissance hydraulique nominale, kW/cv	25/33,5	
Débit d'huile hydraulique maximum (à 63A), l/min / gal/min	65/17	
Poids, groupe hydraulique, huile comprise kg/lbs	140/310	
Ligação eléctrica		
Europe + Australie 5 broches	400V (32-63A), 50Hz	
Europe + Asie 4 broches	400V (32-63A), 50Hz	
Norvège 5 broches	400V (32-63A), 50Hz	230V (80A), 50Hz
EE.UU. 4 clavijas	200V (80A) 50, 60 Hz	
États-Unis 4 broches	480V (32-63A, 60 Hz)	
Canada 4 broches	600V (20-40A), 60Hz	
Équipement supplémentaire	2 prises murale de 230 V	

**IMPORTANT!** Pour une puissance maximale s'applique le nombre d'ampères supérieur.

---

# DECLARATION DE GARANTIE ETATS-UNIS

---

## POLITIQUE DE GARANTIE

Toute réclamation au titre de la garantie sera résolue après inspection dans un établissement désigné. Une autorisation de retour de marchandise est nécessaire en cas de réclamation au titre de la garantie. Pour obtenir cette autorisation, veuillez contacter le département du Service Clients d'Husqvarna au 800-845-1312. Le client doit prépayer le transport et prendre en charge tous les frais de main d'oeuvre nécessaires au retour ou au remplacement d'un produit soumis à des fins de garantie. Husqvarna remboursera les frais de transport encourus pour les produits réparés ou les produits de remplacement homologués.

## EQUIPEMENT

L'équipement fabriqué par Husqvarna est garanti pour être exempt de tout défaut de fabrication en fonctionnement normal pour une période de deux (2) ans à partir de la date de l'achat par l'acquéreur et utilisateur initial. **Les fabricants des pièces proposent des délais de garantie individuels. Pour davantage d'informations, veuillez contacter les Services techniques au 800-288-5040.**

Sous cette garantie, notre obligation est expressément limitée au remplacement ou à la réparation chez Husqvarna Construction Products North America, Olathe, Kansas 66061, ou à un atelier de réparation désigné par nos soins, de pièces que l'inspection aura déterminées comme défectueuses.

Cette garantie ne s'applique pas en cas de défauts occasionnés par des détériorations, une utilisation abusive, des réparations inadéquates opérées par des personnes autres qu'un réparateur Husqvarna homologué, ni en cas de défauts engendrés par un manque d'entretien minimum, une fois l'appareil en possession de l'utilisateur. Par ailleurs, la garantie est nulle si le produit, ou l'un de ses composants, est modifié par l'acheteur lui-même ou si le produit est utilisé d'une façon inappropriée ou avec des outils qui ne sont pas recommandés par le fabricant.

**Exceptions :** Moteurs de forage - 3 mois, Scies murales - 1 an, Découpeuses - 3 mois, DM 230 - 1 an, DM 225 - 3 mois, Système Gyro - 1 an, Système CD 40 - 1 an, DS 160 C - 1 an, Smart box - 1 an, CS 2515 - 1 an, PP 455 E - 1 an, PP 345 E - 1 an, HP 40 - 1 an.

**Articles d'usure :** Filtres, bougies d'allumage, roulements\*, courroies, roues\*\* et plaques d'usure.

\*Système Except IntelliSeal™. \*\*Sauf délaminage.

# ACLARACION DE LOS SIMBOLOS

## Símbolos en la máquina

¡ATENCIÓN! La máquina, si se utiliza de forma errónea o descuidada, puede ser una herramienta peligrosa que puede causar daños graves e incluso la muerte al usuario y a otras personas.



Lea detenidamente el manual de instrucciones y asegúrese de entender su contenido antes de utilizar la máquina.



Utilice siempre:

- Casco protector homologado
- Protectores auriculares homologados
- Gafas protectoras o visor
- Máscara respiratoria



Este producto cumple con la directiva CE vigente.



¡ATENCIÓN! Corriente intensa.



### Etiquetado ecológico.

El símbolo en el producto o en su envase indica que no se puede tratar este producto como desperdicio doméstico. Deberá por lo tanto depositarse en un centro de recogida adecuado para el reciclado de equipos eléctricos y electrónicos.



Haciendo que este producto sea manipulado adecuadamente, se ayuda a evitar consecuencias negativas potenciales para el medio ambiente y las personas, lo que puede ocurrir con la manipulación inadecuada como residuos del producto.

Para obtener información más detallada sobre el reciclado de este producto, contacte con la oficina municipal local, con el servicio de eliminación de desperdicios domésticos o con la tienda donde compró el producto.

## Explicación de los niveles de advertencia

Las advertencias se clasifican en tres niveles.

### ¡ATENCIÓN!



¡ATENCIÓN! Indica un riesgo de daños graves para el usuario o incluso muerte, o bien daños al entorno, si no se siguen las instrucciones del manual.

### ¡NOTA!



¡NOTA! Indica un riesgo de lesiones para el usuario o daños al entorno si no se siguen las instrucciones del manual.

### AVISO

AVISO Indica un riesgo de daños en los materiales o en la máquina si no se siguen las instrucciones del manual.

## Índice

<b>ACLARACION DE LOS SIMBOLOS</b>	
Símbolos en la máquina .....	45
Explicación de los niveles de advertencia .....	45
<b>INDICE</b>	
Índice .....	46
Antes de arrancar, observe lo siguiente: .....	46
<b>PRESENTACIÓN</b>	
Apreciado cliente: .....	47
Diseño y funciones .....	47
<b>PRESENTACIÓN</b>	
¿Qué es qué en la unidad hidráulica? .....	48
<b>EQUIPO DE SEGURIDAD DE LA MÁQUINA</b>	
Generalidades .....	49
Parada de emergencia y botón de parada .....	49
<b>MONTAJE Y AJUSTES</b>	
Montaje / instalación del equipo .....	50
<b>FUNCIONAMIENTO</b>	
Equipo de protección .....	52
Instrucciones generales de seguridad .....	52
Seguridad en el trabajo .....	53
Transporte y almacenamiento .....	54
<b>SISTEMA DE MENÚ</b>	
Generalidades .....	55
Vista general del menú .....	55
Menú de arranque .....	57
Menú de funcionamiento .....	57
<b>ARRANQUE Y PARADA</b>	
Generalidades .....	59
Serrado de pared .....	59
Cortado con alambre .....	60
<b>MANTENIMIENTO</b>	
Generalidades .....	62
Mantenimiento diario .....	62
Cambio de aceite .....	62
Cambio de filtro .....	62
Servicio .....	62
Mensajes de fallo .....	62
<b>DATOS TECNICOS</b>	
PP 455 E .....	65
<b>DECLARACIÓN DE GARANTÍA PARA EE. UU.</b>	
POLÍTICA DE GARANTÍA .....	66
EQUIPO .....	66

## Antes de arrancar, observe lo siguiente:



**¡ATENCIÓN!** El material que se corta a menudo contiene sílice y, al cortarlo en SECO particularmente, desprende polvo. La sílice es un componente básico de la arena, la arcilla para ladrillos, del cuarzo, del granito, y de varios otros minerales y rocas. La exposición a una cantidad excesiva de polvo de sílice puede causar:

Enfermedades respiratorias (que afectan su habilidad para respirar) como bronquitis crónicas, silicosis y fibrosis pulmonares por exposición a la sílice. Estas enfermedades pueden ser mortales.

Irritación y erupción de la piel.

Cáncer, según el Programa Nacional de Toxicología (NTP) y el Centro Internacional de Investigaciones sobre el Cáncer (IARC).

Tome medidas de precaución:

Evite el contacto de la piel con el polvo, vapor y humo, y su inhalación.

Use, y asegúrese de que quienes lo rodean usen, indumentaria de protección del aparato respiratorio como las mascarillas antipolvo diseñadas para filtrar partículas microscópicas. (Consulte las normas de la OSHA: 29 CFR Parte 1910.1200.)

Corte en húmedo, en la medida de lo posible, para minimizar la cantidad de polvo.

## Apreciado cliente:

Gracias por elegir un producto Husqvarna.

Esperamos que su máquina le proporcione plena satisfacción y le sirva de ayuda por mucho tiempo en adelante. La adquisición de alguno de nuestros productos da acceso a asistencia profesional con reparaciones y servicio. Si la máquina no fue adquirida en un distribuidor oficial, preguntar en la tienda de compra la dirección del taller de servicio más cercano.

Este manual de instrucciones es un documento importante. Procure tenerlo siempre a mano en el lugar de trabajo. Siguiendo sus instrucciones (de uso, servicio, mantenimiento etcétera) puede alargar considerablemente la vida útil de la máquina e incrementar su valor de reventa. Si vende su máquina, entregue el manual de instrucciones al nuevo propietario.

## Más de 300 años de innovación

La fundación de la empresa sueca Husqvarna AB data del año 1689, cuando el Rey Karl XI encargó la construcción de una fábrica para la fabricación de mosquetes. En ese momento se establecieron los cimientos de la experiencia tecnológica en la que se basan muchos de los productos punteros en el mundo en el sector de las armas de caza, bicicletas, motocicletas, electrodomésticos, máquinas de coser y productos para exteriores.

Husqvarna es líder internacional en productos motorizados para exteriores destinados a la silvicultura, el mantenimiento de parques y el cuidado del césped y del jardín, así como equipos de corte y herramientas de diamante para el sector de la construcción y la piedra.

## Responsabilidad del propietario

El propietario / empresario es el responsable de asegurarse de que el usuario tiene los conocimientos necesarios para utilizar la máquina con seguridad. Los supervisores y los usuarios deben haber leído y entendido el manual de instrucciones. Deben tener conocimiento de lo siguiente:

- Las instrucciones de seguridad de la máquina.
- Las aplicaciones y las limitaciones de la máquina.
- El modo de uso y de mantenimiento de la máquina.

La utilización de esta máquina podría estar restringida por regulaciones locales. Infórmese sobre las regulaciones vigentes en el lugar donde trabaja antes de empezar a utilizar la máquina.

## Los derechos que se reserva el fabricante.

Tras la publicación de este manual, Husqvarna podría publicar información adicional para el funcionamiento seguro de este producto. Es responsabilidad del propietario mantenerse informado de los métodos de funcionamiento más seguros.

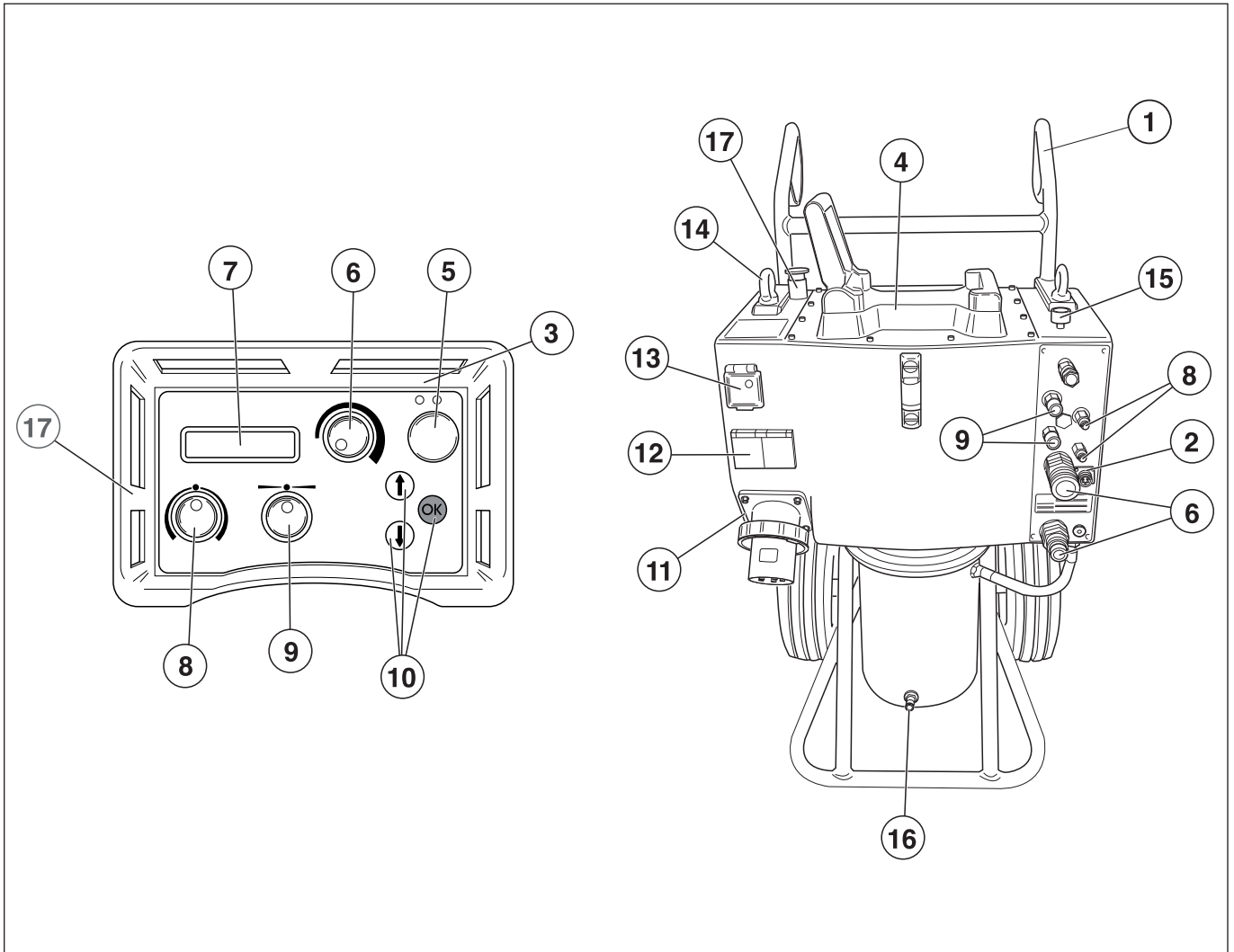
Husqvarna AB trabaja constantemente para perfeccionar sus productos y se reserva, por lo tanto, el derecho a introducir modificaciones en la construcción y el diseño sin previo aviso.

Para recibir información y atención como cliente, póngase en contacto con nosotros a través de nuestro sitio web:  
[www.husqvarna.com](http://www.husqvarna.com)

## Diseño y funciones

El alto rendimiento, la fiabilidad, la tecnología innovadora, las soluciones técnicas avanzadas y el respeto medioambiental son los valores que caracterizan a los productos de Husqvarna. El usuario debe leer este manual detenidamente para garantizar un funcionamiento seguro del producto. Póngase en contacto con su concesionario o con Husqvarna si necesita más información.

# PRESENTACIÓN



## ¿Qué es qué en la unidad hidráulica?

- |  |                                  |
|--|----------------------------------|
| 1 Mango  | 10 Teclas de selección           |
| 2 Conexiones de las mangueras hidráulicas                | 11 Toma eléctrica                |
| 3 Mando a distancia                                      | 12 Toma monofásica de 230 V      |
| 4 Fijación de sierra                                     | 13 Protección personal / fusible |
| 5 Motor eléctrico, Conexión / Desconexión                | 14 Cáncamo de elevación          |
| 6 Rotación de la hoja y activación del agua refrigerante | 15 Válvula de flujo de agua      |
| 7 Display  | 16 Conexión de agua              |
| 8 Avance de entrada                                      | 17 Botón de encendido (ON / OFF) |
| 9 Avance longitudinal                                    |                                  |



# EQUIPO DE SEGURIDAD DE LA MÁQUINA

## Generalidades

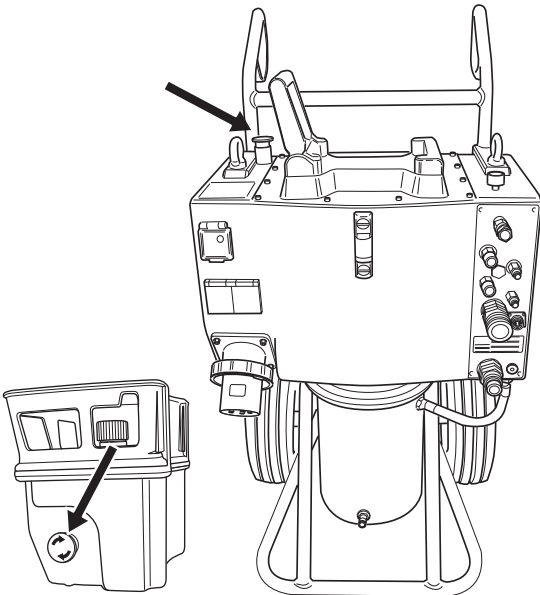


**¡ATENCIÓN!** Nunca utilice una máquina que tenga un equipo de seguridad defectuoso. Efectúe el control y mantenimiento del equipo de seguridad de la máquina como se describió en este capítulo. Si su máquina no pasa todos los controles, entréguela a un taller de servicio para su reparación.

En este capítulo se describen los componentes de seguridad de la máquina, su función y el modo de efectuar el control y el mantenimiento para garantizar un funcionamiento óptimo.

## Parada de emergencia y botón de parada

La unidad hidráulica dispone de parada de emergencia y el control remoto tiene un botón de parada. Se utilizan para parar rápidamente la unidad hidráulica.



## Verifique la parada de emergencia y el botón de parada

- Activar la rotación de la hoja
- Pulse la parada de emergencia de la unidad hidráulica y compruebe que la rotación del disco se detiene. Compruebe de igual modo el botón de parada situado en el control remoto.

# MONTAJE Y AJUSTES

## Montaje / instalación del equipo

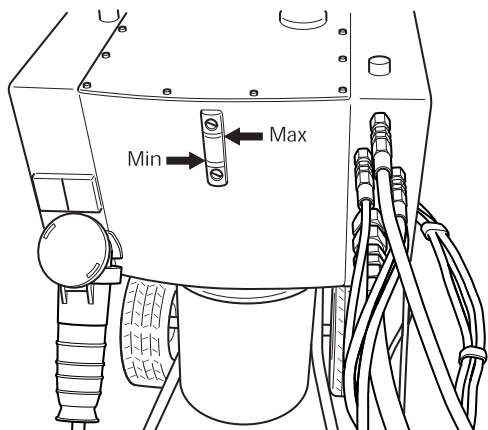
Después de ser transportada a un lugar adecuado, la máquina debe conectarse:

- Controlar el nivel de aceite en el equipo energético. El control se hace en el indicador de nivel.

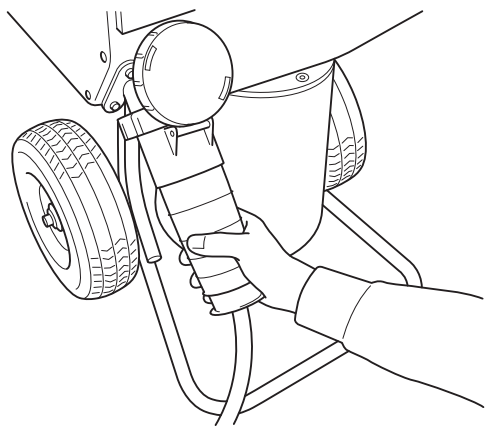
Nivel mínimo = línea roja

Nivel máximo = línea negra

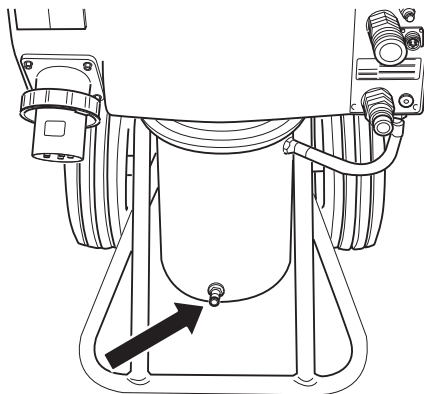
No se debe sobrepasar el nivel máximo al poner aceite en el depósito. El aceite se expande al calentarse y puede rebosar si el nivel es excesivo. Capacidad del depósito, 16 l (4,2 US gal).



- Conectar el cable eléctrico entrante (400 V, 63 A ó 400 V, 32-63 A, enchufe europeo). El cable debe tener tres fases y masa de protección. Si la máquina tiene una toma monofásica, también debe haber un neutro puesto que, de lo contrario, no funcionan las tomas monofásicas de la caja de distribución. Compruebe que la tensión de red concuerda con la que se indica en la placa de características de la máquina.
- La unidad eléctrica debe estar conectada mediante un fusible de 63 A para que funcione a la máxima potencia. Si se conecta mediante un fusible de 32 A, debe utilizarse la sierra a baja presión aunque corte de manera menos efectiva, para evitar la sobrecarga del fusible.



- Conectar la manguera de entrada de agua a la conexión de agua situada en la parte más baja de la frontal del motor en el equipo hidráulico.



- Conectar el mando a distancia con el cable de CAN incluido en la entrega. Fijar el contacto de cable enroscándolo a mano.  
El bus CAN debe desconectarse si la máquina está equipada con radio. No es necesario conectar una antena ni otros accesorios al contacto CAN.
- Compruebe que ni el botón de parada de emergencia de la unidad eléctrica ni el botón de parada del control remoto están pulsados girándolos en el sentido de las agujas del reloj.
- El display muestra el texto ELEGIR FUSIBLE 32A. Si el fusible colocado es de 32 A, se activa pulsando la tecla de membrana marcada con 'OK'. Si hay un fusible de 63 A, pulsar la tecla de membrana marcada con 'flecha arriba'. Ahora el display indica ELEGIR FUSIBLE 63 A. Confirmar pulsando la tecla de membrana marcada con 'OK'.
- Conectar el conjunto de mangueras. Conecte las mangueras hidráulicas en esta posición. Se activará la función de equalización de la presión, lo que facilitará la conexión de las mangueras. Esto evitará obturaciones en las conexiones hidráulicas.

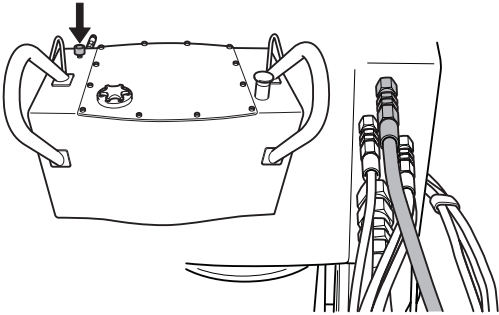
Hay dos tipos de mangueras hidráulicas para el equipo:

- En una sierra de pared de la serie WS 400, las cuatro mangueras finas controlan los motores de avance de la sierra; es decir, la entrada, la salida y el avance longitudinal de la sierra. Las dos mangueras gruesas accionan el disco.
- Si se conecta al equipo una sierra de cable CS 2512, dos de las mangueras finas controlan la tensión del brazo del depósito y las dos mangueras gruesas accionan el cable.

Junto a algunas conexiones del equipo hay un rótulo con marcas rojas. En estas conexiones se conectan las mangueras que tienen arandelas rojas.

## MONTAJE Y AJUSTES

- Conectar la manguera de agua entre el equipo y la conexión de agua de la sierra, y abrir la válvula de flujo de agua en la parte superior del equipo, girando la manija a izquierdas.



Cuando estén conectados el cable eléctrico, la manguera de agua y el conjunto de mangueras se puede poner en marcha la máquina.

- Pulsar 'OK' para confirmar la elección.
- La potencia hidráulica se debe ajustar según la máquina que está acoplada al equipo hidráulico. Elegir una de las opciones siguientes:
  - 25kW, 230 bar, 65l/min
  - 9 kW, 140 bar, 40l/min
- Ahora el display debe mostrar 'PP-455 ARRANCAR MOTOR'. De lo contrario, siga las instrucciones del display.

# FUNCIONAMIENTO

## Equipo de protección

### Generalidades

No use nunca una máquina si no tiene posibilidad de pedir auxilio si se produce un accidente.

### Equipo de protección personal

Para trabajar con la máquina debe utilizarse un equipo de protección personal homologado. El equipo de protección personal no elimina el riesgo de lesiones, pero reduce su efecto en caso de accidente. Pida a su distribuidor que le asesore en la elección del equipo.



**¡ATENCIÓN!** El uso de productos que cortan, pulen, taladran, alisan o forman materiales puede generar polvo y vapores que pueden contener sustancias químicas dañinas. Averiguar la composición del material con que se trabaja y usar una máscara respiratoria adecuada.



**¡ATENCIÓN!** La exposición prolongada al ruido puede causar daños crónicos en el oído. Por consiguiente, use siempre protectores auriculares homologados. Cuando use protección auditiva preste siempre atención a las señales o llamados de advertencia. Sáquese siempre la protección auditiva inmediatamente después de parar el motor.



**¡ATENCIÓN!** Existe siempre riesgo de accidentes por apriete al trabajar con aparatos con piezas móviles. Usar guantes protectores para evitar lesiones.

Utilice siempre:

- Casco protector
- Protectores auriculares
- Gafas protectoras o visor
- Máscara respiratoria
- Guantes resistentes de agarre seguro.
- Prendas de vestir ceñidas, resistentes y cómodas que permitan una libertad de movimientos total.
- Botas con puntera de acero y suela antideslizante.

Tener en cuenta que las ropas, el pelo largo y las joyas pueden atascarse en piezas móviles.

### Otros equipos de protección



**¡ATENCIÓN!** Mientras trabaja con la máquina, pueden producirse chispas que podrían ocasionar un incendio. Tenga siempre a mano herramientas para la extinción de incendios.

- Herramientas para la extinción de incendios
- Tenga siempre a mano el equipo de primeros auxilios.

## Instrucciones generales de seguridad



**¡ATENCIÓN!** Lea todas las advertencias e instrucciones de seguridad. No atender a estas advertencias e instrucciones puede provocar descargas eléctricas, incendios y lesiones graves.

Este apartado trata las normas de seguridad básicas para trabajar con el dispositivo. Esta información no sustituye en ningún caso los conocimientos y la experiencia de un profesional.

- Lea detenidamente el manual de instrucciones y asegúrese de entender su contenido antes de utilizar la máquina.
- Lea el manual de instrucciones suministrado con la unidad hidráulica antes de utilizar la máquina.
- Debe tenerse en cuenta que el operador es responsable de los accidentes o riesgos que ocurran a otras personas o a su propiedad.
- Todos los operadores deben ser formados en el empleo de la máquina. El propietario es responsable de la formación de los operadores.
- La máquina debe mantenerse limpia. Los letreros y las pegatinas deben ser legibles en su totalidad.



**¡ATENCIÓN!** La máquina, si se utiliza de forma errónea o descuidada, puede ser una herramienta peligrosa que puede causar daños graves e incluso la muerte al usuario y a otras personas.

No permita bajo ningún concepto el empleo o mantenimiento de la máquina por los niños u otras personas no instruidas en el manejo de la misma. Nunca deje que terceros utilicen la máquina sin asegurarse primero de que hayan entendido el contenido de este manual de instrucciones.

Nunca utilice la máquina si está cansado, si ha ingerido alcohol o si toma medicamentos que puedan afectar la vista, su capacidad de discernimiento o el control del cuerpo.



**¡ATENCIÓN!** Las modificaciones y/o el uso de accesorios no autorizados comportan riesgo de daños personales graves y peligro de muerte para el usuario y otras personas.

No modifique nunca esta máquina de forma que se desvíe de la versión original, y no la utilice si parece haber sido modificada por otras personas.

No utilice nunca una máquina defectuosa. Lleve a cabo las comprobaciones de seguridad y siga las instrucciones de mantenimiento y servicio de este manual. Algunas medidas de mantenimiento y servicio deben ser efectuadas por especialistas formados y cualificados. Consulte las instrucciones del apartado **Mantenimiento**.

Utilizar siempre recambios originales.

# FUNCIONAMIENTO

## Emplee siempre el sentido común

Es imposible abarcar todas las situaciones imaginables que se pueden producir al utilizar una taladradora. Proceder siempre con cuidado y emplear el sentido común. Si se encuentra en alguna situación que le haga sentirse inseguro, deténgase y consulte con un experto. Consulte a su distribuidor, al taller de servicio técnico o a un usuario experimentado. No emplee la máquina en aplicaciones para las que no se considere plenamente cualificado.

## Seguridad en el trabajo

### Seguridad en el área de trabajo

- **Mantenga el área de trabajo limpia y bien iluminada.** Las zonas abarrotadas de cosas u oscuras favorecen los accidentes.
- La distancia de seguridad es de 4 metros (15 pies) desde la máquina.
- Averigüe y marque siempre la ubicación del trazado de las tuberías de gas. El corte cerca de las tuberías de gas siempre es peligroso. Procure que no se generen chispas al cortar, debido al riesgo de explosión. Trabaje concentrado en su tarea. La negligencia comporta riesgo de daños personales graves y peligro de muerte.
- No utilice la máquina en entornos donde exista riesgo de explosión.
- Asegúrese de que no haya tuberías o cables eléctricos en la zona de trabajo o en la pieza en la que vaya a trabajar.
- Compruebe que los cables eléctricos que haya en el área de trabajo no tengan tensión.
- Compruebe el entorno para asegurarse de que nada pueda influir en su control de la máquina.
- No trabaje en condiciones atmosféricas desfavorables como niebla, lluvia intensa, tempestad, frío intenso, etc. Trabajar con mal tiempo es cansador y puede crear condiciones peligrosas, por ejemplo suelo resbaladizo.
- No emplee la máquina en un entorno mojado o húmedo, cerca de agua, en la lluvia o en la nieve.
- Antes de comenzar a trabajar con la máquina, controle siempre que el lugar esté libre y que los pies estén bien afirmados al terreno.

## Seguridad eléctrica



**¡ATENCIÓN! Existe siempre riesgo de sacudidas eléctricas al usar máquinas eléctricas. No usar la máquina en condiciones climáticas desfavorables y evitar el contacto del cuerpo con pararrayos y objetos metálicos. Seguir siempre las instrucciones del manual para evitar daños.**



**¡ATENCIÓN! No lave la máquina con agua, ya que puede penetrar en el sistema eléctrico o en el motor y causar daños en la máquina o un cortocircuito.**

- Conecte siempre la máquina mediante un interruptor de fuga a tierra con protección personal, como un disyuntor de fuga a tierra que se active a 30 mA.
- La máquina se debe enchufar a un enchufe con masa.
- Compruebe que la tensión de red concuerda con la que se indica en la placa de características de la máquina.
- Compruebe que el cable y el cable de empalme está intacto. Usar siempre cables de empalme homologados para uso en intemperie.
- Si se daña un cable, no utilice la máquina. Llévela a reparar a un taller de servicio oficial.
- Un cable de alargue no debe usarse enrollado porque hay riesgo de sobrecalentamiento.
- No arrastre la máquina nunca por el cordón y no quite nunca el enchufe tirando del cordón.
- Mantenga todos los cables y cables de empalme apartados de agua, aceite y cantos agudos. Proceda con cuidado para evitar que el cable se apriete en puertas, vallas o similares. Hay riesgo de cargar objetos con electricidad.

## Seguridad hidráulica

- Compruebe que todos los acoplamientos y conexiones, y las mangueras hidráulicas están intactos.
- Mantenga limpias de suciedad las mangueras y conexiones hidráulicas.
- No maltrate las mangueras.
- No utilice mangueras torcidas, gastadas o defectuosas.
- Compruebe que las mangueras estén conectadas adecuadamente en la herramienta y que las conexiones hidráulicas cierren como es debido antes de presurizar el sistema hidráulico. Las conexiones se fijan girando el manguito exterior del acoplamiento hembra para apartar la ranura de la bola.

Las mangueras de presión del sistema deben conectarse siempre en la entrada de la herramienta. Las mangueras de retorno del sistema deben conectarse siempre en la salida de la herramienta. Si se confunden las conexiones, la herramienta funcionará en sentido inverso, con el riesgo consiguiente de daños personales.

- No utilice nunca las mangueras hidráulicas para levantar la máquina.

# FUNCIONAMIENTO

- Revise a diario la máquina, los acoplamientos y las mangueras hidráulicas para ver si hay fugas. Una grieta o rotura puede producir una 'inyección de aceite' en el cuerpo o daños personales graves de otro tipo.
- No desacople nunca mangueras hidráulicas sin antes haber desactivado el equipo hidráulico y parado totalmente el motor. Si a pesar de todo se produjera un caso de emergencia, pulsar el botón rojo de parada de emergencia situado en la parte superior del equipo, o el botón verde de arranque y parada del mando a distancia.
- No se debe sobrepasar el caudal ni la presión de aceite especificados para las herramientas que se utilizan. Un caudal o presión demasiado altos pueden causar fugas o explosión.
- No hacer la búsqueda de fugas con la mano. El contacto con una fuga puede comportar daños personales graves causados por la presión alta del sistema hidráulico.
- Para usar herramientas hidráulicas en o cerca de cables eléctricos deben usarse mangueras marcadas y homologadas como 'no conductoras de electricidad'. El uso de mangueras de otro tipo comporta peligro de muerte o daños personales graves.
- Al cambiar mangueras deben usarse mangueras 'no conductoras de electricidad'. Las mangueras deben revisarse regularmente por lo que respecta al aislamiento de conducción eléctrica, según instrucciones especiales.
- Antes de arrancar la sierra, deje el sistema hidráulico funcionando hasta que alcance la temperatura de funcionamiento (30°C). De este modo, se reduce la presión de retorno y el desgaste en general.

## Seguridad personal

- Nunca utilice la máquina si está cansado, si ha ingerido alcohol o si toma medicamentos que puedan afectarle la vista, su capacidad de discernimiento o el control del cuerpo.
- Evite el encendido accidental de la herramienta. Asegúrese de que el interruptor está en la posición de apagado (OFF).
- No abandonar nunca la máquina sin vigilar, con el motor en marcha.
- Desenchufar siempre el contacto para paradas prolongadas del trabajo.
- Un operador nunca debe trabajar solo; siempre debe haber otra(s) persona(s) cerca. Así, además de tener ayuda para montar la máquina, también puede recibirse asistencia en caso de accidente.
- Las personas y los animales pueden distraer y hacer perder el control de la máquina. Por consiguiente, el operador debe estar siempre concentrado en su trabajo.
- Las personas que deban permanecer cerca deben usar protectores auriculares porque el nivel sonoro al cortar es superior a 85 dB(A).
- No haga nunca trabajos de corte de forma tal que no pueda acceder fácilmente a la parada de emergencia.

## Uso y cuidado

- Esta máquina está destinada únicamente a utilizar junto con Husqvarna WS 355, WS 463, WS 462, WS 460 y CS 2512. Está prohibida cualquier otra aplicación.
- La máquina está destinada al uso por operadores experimentados, en aplicaciones industriales.
- El control y/o mantenimiento de la máquina debe hacerse con el motor parado y el enchufe desenchufado.
- Parar siempre la máquina antes de trasladarla.
- Proceda con cuidado en las elevaciones. Las piezas son pesadas, por lo que hay riesgo de daños por apriete y daños personales de otro tipo.
- Compruebe que todas las juntas, conexiones y cables están intactos y limpios.
- Compruebe que todos los cables y el suministro de agua están correctamente conectados a la máquina antes de arrancarla.
- Nunca desconecte el cable sin desconectar antes la unidad eléctrica y esperar a que la máquina se detenga por completo. En caso de emergencia, pulse el botón rojo de parada de emergencia de la unidad o el botón de parada del control remoto.
- Mantener todas las piezas en perfecto estado y comprobar que todos los elementos de fijación estén bien apretados.

## Transporte y almacenamiento

- Desconecte siempre la unidad eléctrica y el cable eléctrico antes de mover el equipo.
- Utilice las cajas suministradas para guardar el equipo.
- Sujete bien el equipo durante el transporte para evitar daños y accidentes.
- Almacene la cortadora en lugar seguro fuera del alcance de los niños y personas no calificadas para su uso.
- Guarde la máquina y el equipo en un lugar seco y protegido de la escarcha.
- No exponga la máquina a temperaturas que excedan los 45 °C ni a la luz directa del sol.

# SISTEMA DE MENÚ

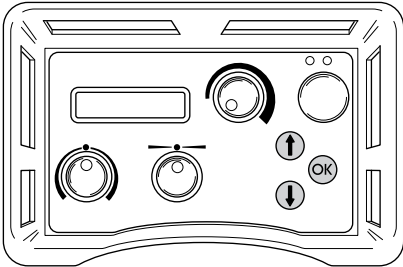
## Generalidades

Este apartado se basa en el modelo 400 V de PP 455 E con conexión de 5 pines. En otros modelos, el sistema de menú puede variar.

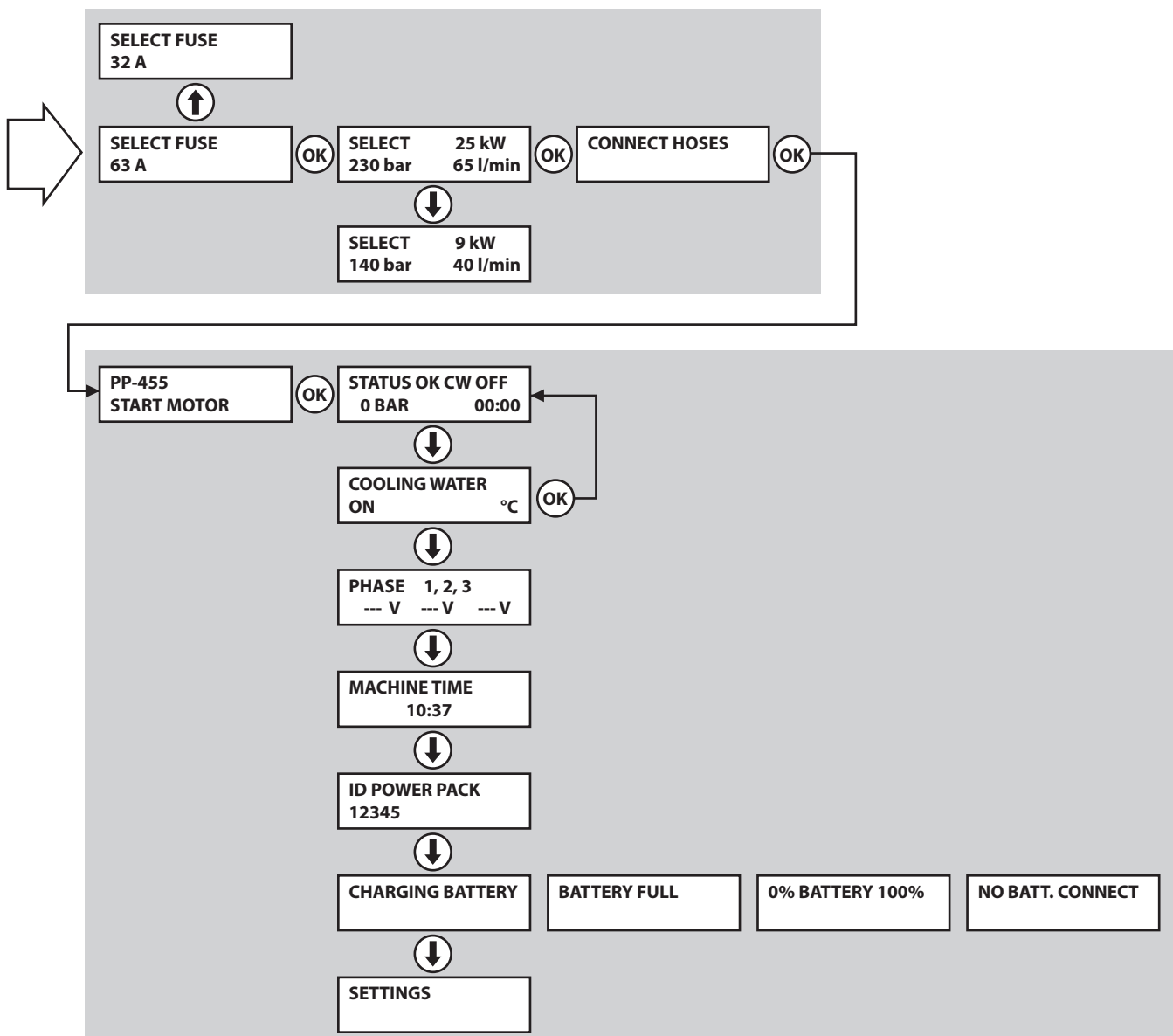
Los menús están agrupados en dos secciones:

- Menú de arranque
- Menú de funcionamiento

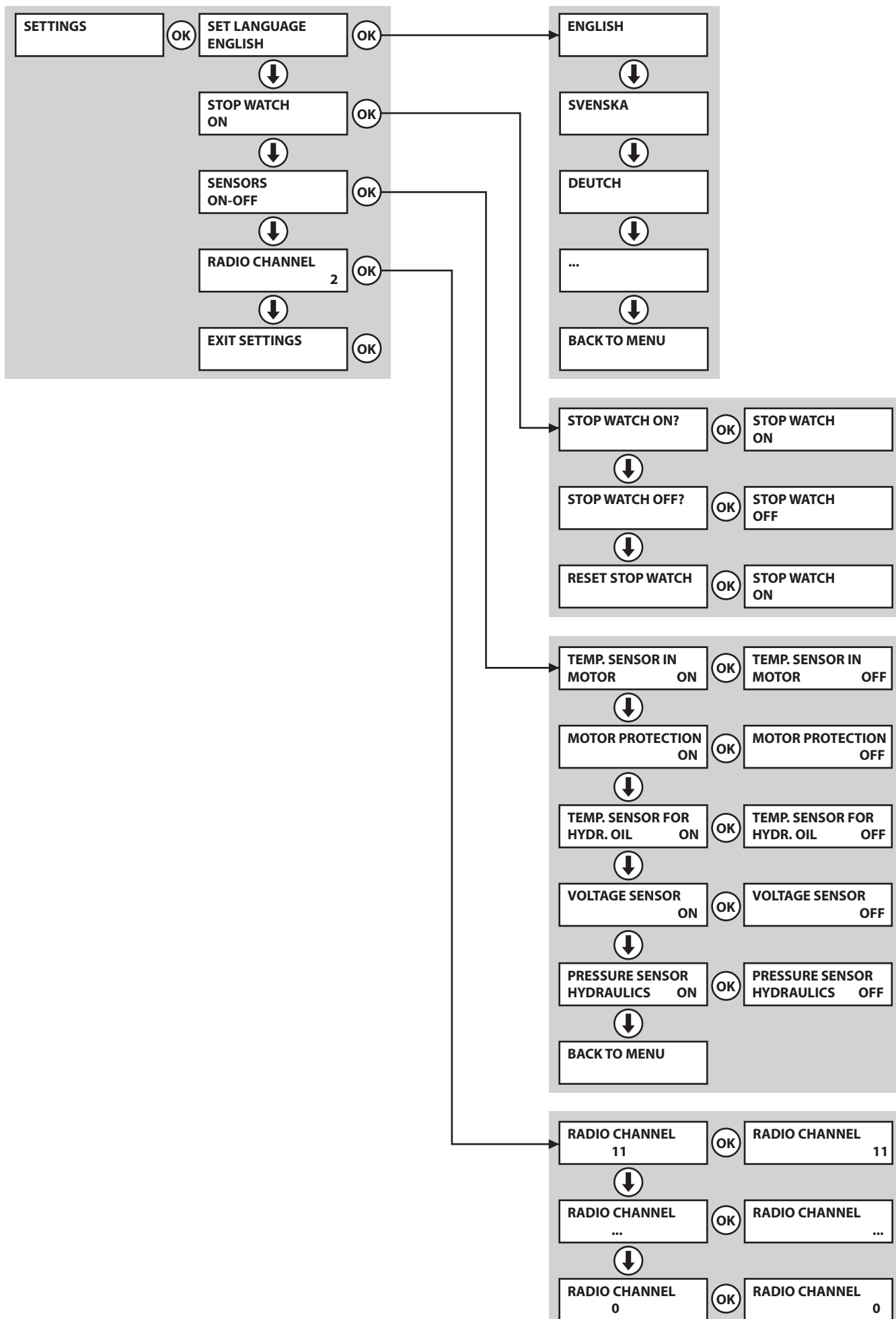
Desplácese con las flechas de dirección y confirme con «OK».



## Vista general del menú



# SISTEMA DE MENÚ





# SISTEMA DE MENÚ

## Menú de arranque

El menú de arranque se presenta cada vez que se conecta la corriente del equipo hidráulico.

### ELEGIR FUSIBLE

El nivel de protección de fusible se debe ajustar según el fusible al que está conectado el equipo hidráulico. Elegir una de las opciones siguientes:

- 32A
- 63A
- Pulsar 'OK' para confirmar la elección.

### SELECT POWER (Seleccionar alimentación)

La potencia hidráulica se debe ajustar según la máquina que está acoplada al equipo hidráulico. Elegir una de las opciones siguientes:

- 25 kW, 230 bar, 65 l/min (3300 psi, 17 US gpm)
- 9 kW, 140 bar, 40 l/min (2000 psi, 10 US gpm)
- Pulsar 'OK' para confirmar la elección.

### CONECT MANGUERAS

Conecte las mangueras hidráulicas en esta posición. Se activará la función de equalización de la presión, lo que facilitará la conexión de las mangueras. Esto evitará obturaciones en las conexiones hidráulicas.

- Pulsar 'OK' cuando estén conectadas todas las mangueras.

## Menú de funcionamiento

Con este menú se obtiene información sobre el funcionamiento y todas las posibilidades de ajuste.

### ARRANCAR MOTOR

- Pulse el botón verde del mando a distancia para arrancar el motor eléctrico.

### ESTADO

El 'Estado' es la información principal que se presenta siempre en el display cuando está funcionando el equipo hidráulico con máquina acoplada.

- OK significa que el equipo está funcionando y no hay ningún mensaje de advertencia.
- AR xx, en que AR denota agua refrigerante y xx CON o DES. La alternativa que se muestra depende de si el agua refrigerante está activada o desactivada.
- yyy BAR, en que yyy denota la presión de trabajo momentánea.
- Si está activado el cronometraje, también se presenta: mm:ss; es decir, el tiempo en minutos y segundos.

### AGUA REFRIGER.

Activación (ON) o desactivación (AUTO) del agua refrigeradora pulsando OK.

En la pantalla se indicará la temperatura del agua refrigeradora.

## FASE 1, 2, 3

Para cada denominación de fase se presenta la tensión principal momentánea del equipo hidráulico.

Si la tensión es baja se muestra un mensaje de fallo en el display; ver el capítulo 'Mensajes de fallo'.

**AVISO** Los cables eléctricos largos con conductores de sección transversal pequeña pueden causar caída de tensión. Entonces puede presentarse una advertencia de baja tensión en el equipo hidráulico.

### MACHINE TIME (Tiempo de la máquina)

Indica el tiempo total de rotación del disco o cable para la unidad de alimentación conectada.

### ID POWER PACK (ID unidad de alimentación)

Indica el número de máquina de la unidad hidráulica.

### BATTERY (Batería)

Esta función controla la batería del mando a distancia. Se presentan en el display distintos mensajes, dependiendo de lo que está ocurriendo con la batería:

- CHARGING BATTERY (cargando batería): el cable CAN está conectado y la batería se está cargando.
- BATTERY FULL (batería cargada): la batería está cargada completamente.
- 0% BATTERY 100% (0 % batería 100 %): la barra muestra el estado de la batería.
- NO BATT. CONNECT (ninguna batería conectada): no se ha detectado la batería.

## CONFIGURACION

En este submenú se accede a todas las posibilidades de ajuste del equipo hidráulico y el mando a distancia.

### SET LANGUAGE

Para seleccionar idioma:

- Desplazarse con las teclas de flecha hasta que se muestre el idioma deseado.
- Pulsar 'OK' para confirmar la elección.

### STOP WATCH (Cronómetro)

Esta función se usa para medir el tiempo de un trabajo. El cronometraje se inicia cuando la sierra empieza a trabajar.

Seleccionar:

- ON: activación.
- OFF: desactivación.
- RESET STOP WATCH (Reiniciar cronómetro): reinicio.

Desplácese con las flechas de dirección y confirme con «OK».

# SISTEMA DE MENÚ

## SENSORS ON/OFF (Sensores activados / desactivados)

Este submenú contiene las opciones de ajuste de los diferentes sensores de la unidad hidráulica.

- TEMP. SENSOR IN MOTOR (Sensor de temperatura en motor)

El motor dispone de un sensor de temperatura que garantiza que el motor se apaga cuando la temperatura alcanza un nivel crítico.

Con el botón OK puede alternar entre ON y OFF.

**AVISO** El motor eléctrico puede estropearse si el sensor se desactiva.

- MOTOR PROTECTION (Protección del motor)

La unidad hidráulica dispone de un sensor que garantiza que el motor se apaga en caso de sobrecarga o errores de fase.

Con el botón OK puede alternar entre ON y OFF.

**AVISO** El motor eléctrico puede estropearse si el sensor se desactiva.

- TEMP. SENSOR FOR HYDR. OIL (Sensor de temperatura para aceite hidráulico)

Hay un transductor de temperatura montado en el conducto de agua refrigerante. El transductor controla que el agua refrigerante está conectada al equipo hidráulico. El agua refrigerante enfría el aceite hidráulico. Cuando está activado el transductor de temperatura, el sistema de mando lee continuamente la temperatura.

Con el botón OK puede alternar entre ON y OFF.

**AVISO** El equipo hidráulico se puede averiar si se desactiva el transductor de temperatura.

- VOLTAGE SENSOR (Sensor de tensión)

Hay conectado un transductor de tensión en cada fase (tres transductores en total). Estos transductores miden la tensión de fase del equipo hidráulico. Si la tensión es menos del 10% del valor nominal, el equipo hidráulico se para.

Con el botón OK puede alternar entre ON y OFF.

**AVISO** Si se desactivan los transductores de tensión hay riesgo de recalentamiento del motor eléctrico debido a tensión demasiado baja.

- PRESSURE SENSOR HYDRAULICS (Hidráulica del sensor de presión)

Este transductor mide la presión hidráulica de la hoja.

Con el botón OK puede alternar entre ON y OFF.

**¡ATENCIÓN!** El sistema de regulación del equipo hidráulico se desactiva si se desactiva el transductor de presión. Entonces puede ser difícil el mando y control del sistema hidráulico en carga alta.

- BACK TO MENU (Volver al menú)

Pulse el botón OK para abandonar este submenú.

## RADIO CHANNEL (Canal de radio) (solamente máquinas equipadas con radio)

El control remoto debe conectarse a la máquina con un cable CAN.

- Seleccione el canal de radio que desee. Puede elegir entre las siguientes opciones:

- 0
- 1
- ...
- 11

Desplácese con las flechas de dirección y confirme con «OK».

## EXIT SETTINGS (Ajustes de salida)

Los ajustes se almacenan automáticamente.

- Pulse el botón OK para abandonar este submenú.

# ARRANQUE Y PARADA

## Generalidades



¡ATENCIÓN! Lea detenidamente el manual de instrucciones y asegúrese de entender su contenido antes de utilizar la máquina.

Utilice el equipo de protección personal. Vea las instrucciones bajo el título "Equipo de protección personal".

Asegúrese de que no haya personas desautorizadas en la zona de trabajo, de lo contrario, se corre el riesgo de ocasionar graves daños personales.

Controle que la máquina esté correctamente montada y que no esté dañada. Consulte las instrucciones bajo el título «Montaje y ajustes».

- Realice el mantenimiento diario. Consulte las instrucciones bajo el título «Mantenimiento».

## Serrado de pared

### Antes de arrancar

¡IMPORTANTE! Asegúrese de que el disco y el protector de este estén colocados correctamente antes de encender la unidad hidráulica.

Antes de poner en marcha el motor, comprobar que:

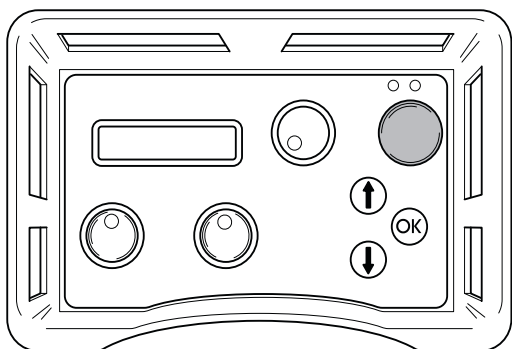
- El cable eléctrico entrante esté conectado a como mínimo un fusible de 25 A.
- Está seleccionada la modalidad de potencia 32 A o 63 A.

Si no lo están, aparecerá un mensaje en la pantalla al pulsar el botón de arranque.

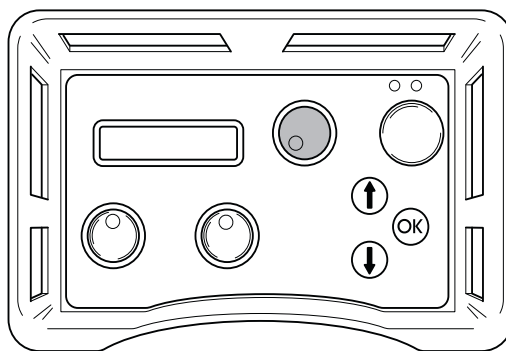
- Las mangueras están conectadas a un consumidor.
- Antes de arrancar la sierra, deje el sistema hidráulico funcionando hasta que alcance la temperatura de funcionamiento (30°C). De este modo, se reduce la presión de retorno y el desgaste en general.
- Todos los controles del control remoto está en la posición «0». Si no lo están, aparecerá un mensaje en la pantalla al pulsar el botón de arranque.

## Arranque

- 1 Poner en marcha el motor eléctrico pulsando una vez el botón verde del mando a distancia. El arranque Y/D es automático. Entonces, el sentido de rotación será correcto debido al relé automático de seguimiento de fase.

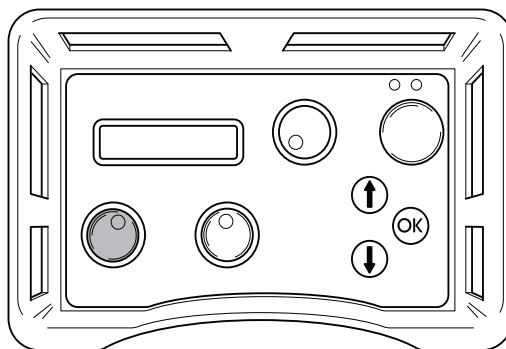


- 2 Poner el mando de rotación de hoja y agua refrigerante en la posición máxima para activar estas funciones.

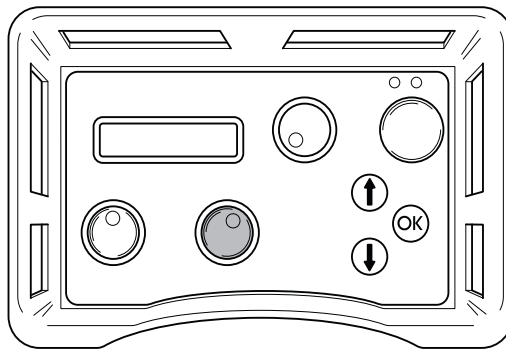


El flujo de agua se puede ajustar manualmente con la manija de la parte superior del equipo.

- 3 Activar el avance de entrada, girando la manija de avance de entrada del mando a distancia en la dirección deseada.

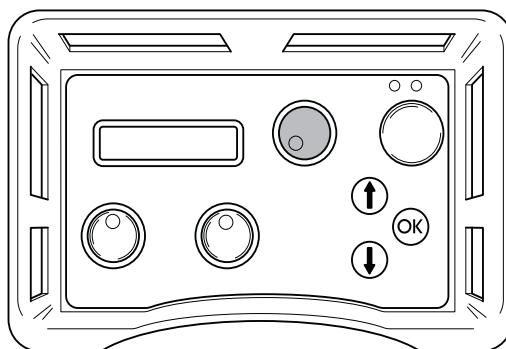


- 4 Activar el avance longitudinal, girando la manija de avance longitudinal en la dirección deseada.



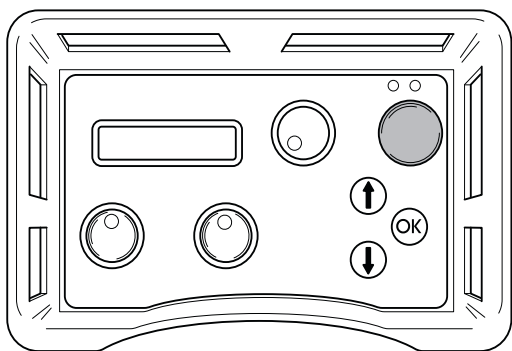
## Parada

- 1 Al terminar el trabajo, desactivar la rotación de la hoja y el flujo de agua, devolviendo a la posición '0' la manija de rotación de la hoja y activación del agua refrigerante.



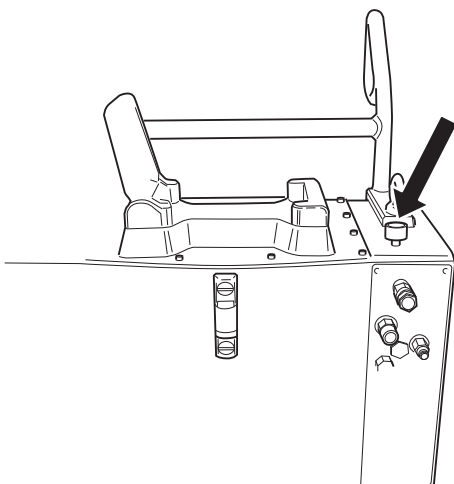
# ARRANQUE Y PARADA

- 2 Parar el motor eléctrico pulsando el botón verde del mando a distancia.



## Válvula de agua

Cuando se corta el suministro eléctrico del equipo hidráulico, la válvula de agua abre con el fin de drenar el enfriador para el transporte y evitar la congelación del enfriador y el motor en temperaturas bajo cero. El equipo se puede transportar en posición vertical u horizontal. Si se corta la corriente durante el corte, se puede cerrar el suministro de agua girando la válvula reguladora del caudal de agua a derechas hasta el tope. También es posible reducir el flujo de agua para la herramienta hidráulica conectada girando la válvula de flujo de agua.



## Desmontaje del equipo

- 1 Espere a que el motor se pare totalmente.
- 2 Desconectar el cable eléctrico entrante antes de soltar las mangueras de agua.
- 3 Desacoplar las mangueras hidráulicas.
- 4 Si hay riesgo de congelación, drenar el agua del enfriador de aceite desacoplando ambas mangueras, abriendo la válvula de flujo de agua e inclinando el equipo hacia delante.

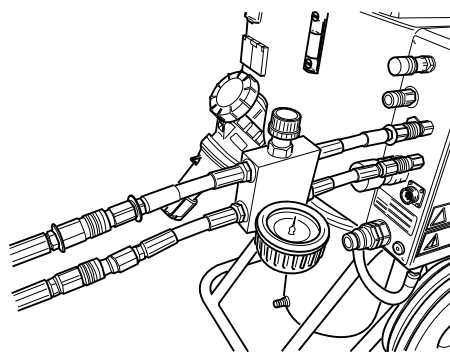
**¡IMPORTANTE!** Limpiar siempre todo el equipo después de cada turno de trabajo. No utilizar lavado a alta presión para limpiar la máquina.

## Cortado con alambre

### Antes de arrancar

**¡IMPORTANTE!** No conecte dos mangueras hidráulicas gruesas a la sierra de alambre antes de que el cable esté correctamente colocado y tensado y todos los protectores estén colocados correctamente.

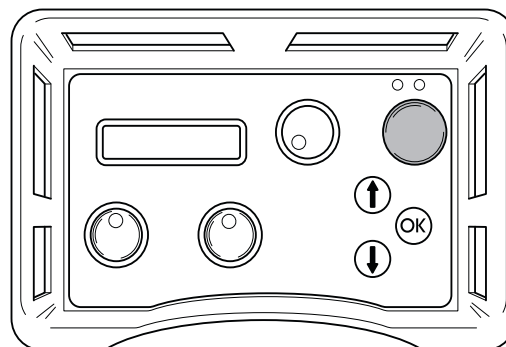
- Antes de poner en marcha el motor, comprobar que:
  - El cable eléctrico entrante esté conectado a como mínimo un fusible de 25 A.
  - Está seleccionada la modalidad de potencia 32 A o 63 A. Si no lo están, aparecerá un mensaje en la pantalla al pulsar el botón de arranque.
- Montar el bloque de reducción de presión que se entrega con la sierra de cable en el equipo hidráulico siguiendo las instrucciones en el bloque.
- Conectar dos de las mangueras hidráulicas finas en el bloque de reducción de presión. La manguera del conjunto de mangueras que está marcada con una arandela roja en la conexión se debe conectar en la manguera del bloque de reducción de presión que también tiene arandela.



- Cerrar la válvula del bloque de reducción de presión girando la manija a izquierdas hasta el tope y a continuación dos vueltas hacia atrás.

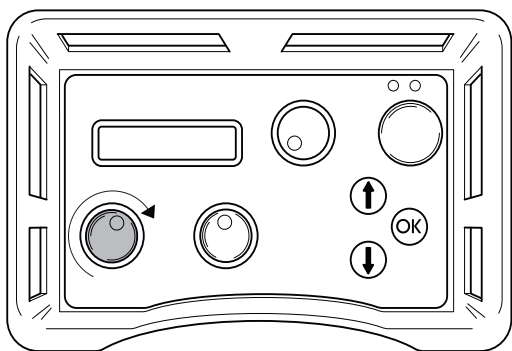
## Arranque

- 1 Poner en marcha el motor eléctrico pulsando una vez el botón verde del mando a distancia.

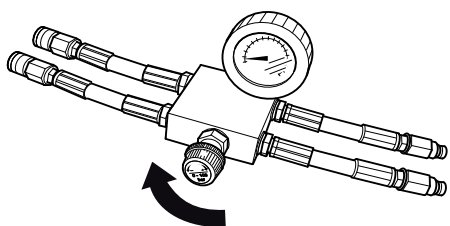


# ARRANQUE Y PARADA

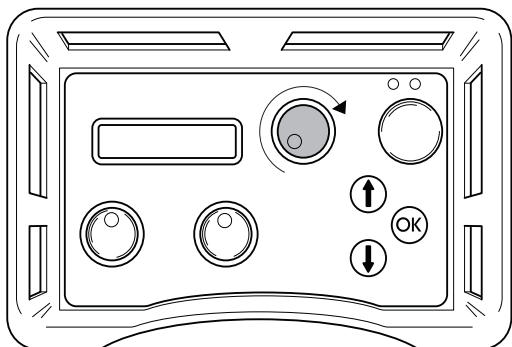
- 2 Ajustar al máximo el flujo de alimentación del equipo girando a derechas la manija del mando a distancia.



- 3 Tensar el cable girando con cuidado la manija del bloque de reducción de presión a derechas hasta que la tensión del cable sea la justa. Controlar constantemente que el cable esté bien colocado en todas las ruedas de la sierra.

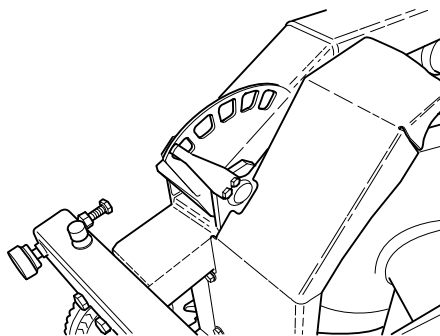


- 4 Activar el accionamiento del cable girando a derechas la manija de contrarrotación del mando a distancia.



- 5 Incrementar con cuidado el régimen del motor girando la manija de contrarrotación. La presión de trabajo adecuada para el corte es normalmente de 100 y 130 bar pero varía dependiendo del número de pares de ruedas que se utilizan en el depósito, de la cantidad de cable acoplado y de la dureza del material que se corta.
- 6 La presión disminuye a medida que se corta el material. Esto se indica en la pantalla y entonces debe tensarse el carro. Para ello, gire el mando del bloque de reducción de presión en la dirección de las agujas del reloj.

- 7 La tensión del depósito es mostrada por un indicador en la máquina (en la figura, en posición mínima). Cuando el cilindro del depósito está totalmente tensado, hay que parar la máquina y colocar el cable alrededor de un nuevo par de ruedas. Luego, proseguir según lo indicado arriba.



## Parada

- Disminuya la velocidad del alambre y deje que el motor se detenga por completo.
- Parar el motor eléctrico pulsando el botón verde del mando a distancia.
- Desconecte el cable eléctrico entrante del equipo hidráulico.
- Desacople las mangueras hidráulicas y la manguera de agua de la unidad de sierra.
- Las demás medidas se hacen en orden inverso al montaje.

**¡IMPORTANTE!** Limpiar siempre todo el equipo después de cada turno de trabajo. No utilizar lavado a alta presión para limpiar la máquina.

# MANTENIMIENTO

## Generalidades



**¡ATENCIÓN! El usuario sólo puede efectuar los trabajos de mantenimiento y servicio descritos en este manual. Los trabajos de mayor envergadura debe efectuarlos un taller de servicio oficial.**

**El control y/o mantenimiento de la máquina debe hacerse con el motor parado y el enchufe desenchufado.**

La vida útil de la máquina puede acortarse y el riesgo de accidentes puede aumentar si el mantenimiento de la máquina no se hace de forma adecuada y si los trabajos de servicio y/o reparación no se efectúan de forma profesional. Para más información, consulte con el taller de servicio oficial más cercano.

## Mantenimiento diario

- Compruebe que el equipo de seguridad de la máquina está intacto. Consulte las instrucciones del apartado «Equipo de seguridad de la máquina».
- Compruebe que el cable y el cable de empalme está intacto.
- Controlar el nivel de aceite en el equipo energético. El chorro de alta presión puede dañar las juntas y hacer que se introduzca agua y suciedad en el interior de la máquina, provocando daños graves.
- Limpiar siempre todo el equipo después de cada turno de trabajo. Utilice un cepillo manual extrafuerte o una brocha grande.
- Asegúrese de que los conectores y los pines están limpios. Límpielos con un trapo o un cepillo.

**AVISO** No utilice un equipo de limpieza a alta presión para limpiar la máquina.

- Controle la presión de los neumáticos.

## Cambio de aceite



**¡ATENCIÓN! Tener en cuenta que el aceite puede ser dañino para la salud y el medio ambiente.**

- En la parte inferior del depósito hay un tapón magnético para vaciar el aceite. Limpiar el imán.
- Abrir el tapón roscado del depósito y poner aceite hidráulico de viscosidad 46. Recomendamos el uso de aceite hidráulico con una viscosidad de 68 en climas cálidos. Procurar que el nivel de aceite está a aproximadamente 10 mm por debajo de la raya de nivel máximo de la mirilla de nivel.

Para el cambio se requieren aproximadamente 16 litros de aceite.

## Cambio de filtro

- Para cambiar el filtro, quitar el tapón del depósito aflojando los 12 tornillos. Además, quitar la tapa del cuerpo de filtro aflojando los tres tornillos. Sacar el elemento filtrante viejo y colocar uno nuevo, que debe entrar en el manguito que hay en el fondo del cuerpo de filtro.

## Servicio



**¡ATENCIÓN! Las reparaciones de todo tipo deben ser efectuadas por técnicos autorizados, únicamente. De este modo se evita someter a los operadores a grandes riesgos.**

Después de 100 horas de funcionamiento, se mostrará el mensaje «Time for servicing» («Efectuar mantenimiento»). Deberá llevar el equipo a un distribuidor autorizado de Husqvarna para que efectúe el mantenimiento de la máquina.

## Mensajes de fallo

En el display se pueden presentar nueve mensajes de fallo diferentes:

- ¡ATENCIÓN! BAJA TENSIÓN (1A) CONTROLAR LA ALIMENTACIÓN ELÉCTRICA Y EL CABLE DEL EQUIPO HIDRÁULICO
- BAJA TENSIÓN FASE X (1B) BAJA POTENCIA 32A
- PROTECCIÓN DE MOTOR DISPARADA (2)
- MOTOR RECALENTADO (3) REFRIGERACIÓN ACTIVADA. NO PARAR EL MOTOR ELÉCTRICO
- TEMPERATURA DE ACEITE ALTA (4) CONTROLAR EL AGUA DEL EQUIPO HIDRÁULICO
- TRANSDUCTOR DE PRESIÓN (5) NO FUNCIONANDO
- PRESIÓN HIDRÁULICA ALTA (6) CONTROLAR EL EQUIPO
- NO HAY CONTACTO CONTROLAR EL CABLE DE CAN (7)
- NO HAY CONTACTO DE RADIO (8)

## Mensaje de fallo (1A)

**¡IMPORTANTE!** Baja tensión Controlar la alimentación eléctrica y el cable del equipo hidráulico.

Tensión demasiado baja causada por:

- Cable de conexión largo.
- Dimensión de conductor (área de sección transversal) insuficiente del cable eléctrico.

Falta una o varias fases, a causa de:

- Se ha disparado un fusible en la caja de distribución.
- Rotura del cable eléctrico.
- No hay corriente en una o varias fases en la caja de distribución.

# MANTENIMIENTO

## Medida (1A)

Pulsar 'OK' para acusar recibo del mensaje de fallo.

Entonces el equipo hidráulico adaptará la toma de fuerza máxima a 32A.

## Mensaje de fallo (1B)

'Baja tensión Fase x baja potencia 32A', en que x denota la fase 1, 2 ó 3.

## Medida (1B)

Pulsar 'OK' para acusar recibo del mensaje de fallo. El display indica que la toma de fuerza máxima está ajustada a 32A. Si la tensión sigue siendo baja, se para el motor eléctrico y se presenta el mensaje de fallo de tensión baja.

Pulsando 'OK', el equipo recupera la potencia máxima que se eligió al arrancar. Para cambiar entre 63A y 32A, hay que parar y arrancar el equipo.

Leer la tensión de alimentación en el menú de funcionamiento; 'Fase 1, Fase 2, Fase 3'. Si antes de arrancar el motor la tensión es:

- Inferior a 340V; controlar que no hay ningún conductor roto en el cable y que llega tensión a la caja de distribución.
- Superior a 340V; controlar las dimensiones de conductores del cable y la longitud del cable.

## Mensaje de fallo (2)

"Protección de motor disparada"

## Causa (2)

El motor eléctrico se ha sobrecargado o falta alguna fase. Por ello se ha disparado la protección del motor eléctrico.

## Medida (2)

Pulsar 'OK' para acusar recibo del mensaje de fallo. Controlar que hay tensión para las tres fases del equipo hidráulico.

Leer la tensión de alimentación en el menú de funcionamiento; 'Fase 1, Fase 2, Fase 3'.

Si falta tensión en una fase: Controlar el cable eléctrico y la tensión de la caja de distribución. La protección del motor se reactiva automáticamente transcurrido un lapso de tres minutos.

Si la tensión en todas las fases es superior a 340V: Esperar a que se reactive la protección del motor. Seguidamente rearmar el equipo hidráulico.

Si la protección del motor se dispara con frecuencia, avisar a un técnico de servicio.

## Mensaje de fallo (3)

'Motor recalentado Refrigeración activada. ¡No parar el motor!'

**¡IMPORTANTE!** No parar el motor, puesto que podría averiarse. Cuando el motor se ha enfriado, se para automáticamente.

## Causa (3)

Temperatura del motor demasiado alta

## Medida (3)

Pulsar 'OK' para acusar recibo del mensaje de fallo.

Si a pesar de todo es necesario parar el motor, primero hay que acusar recibo del mensaje de fallo pulsando 'OK'.

El display muestra: REFRIGERACIÓN: Las válvulas hidráulicas de la hoja y los avances se desactivan. Sin embargo es posible reiniciar los movimientos de avance.

Cuando la temperatura del motor ha bajado por debajo del nivel límite, el display muestra: MOTOR ENFRIADO, PULSAR OK.

Si el motor se recalienta con frecuencia, avisar a un técnico de servicio.

## Mensaje de fallo (4)

'Temperatura de aceite alta Controlar el agua del equipo hidráulico'

## Causa (4)

La refrigeración del aceite hidráulico no ha funcionado.

## Medida (4)

Cuando se presenta el mensaje de fallo se para el motor eléctrico. Pulsar 'OK' para acusar recibo del mensaje de fallo. Controlar que el agua refrigerante está conectada al equipo hidráulico y que fluye hacia la hoja al girar la manija de rotación de la hoja.

## Mensaje de fallo (5)

'Transductor de presión no funcionando'

## Causa (5)

El transductor de medición de la presión hidráulica para rotación de la hoja no funciona.

## Medida (5)

Pulsar 'OK' para acusar recibo del mensaje de fallo. Si el mensaje de fallo se presenta de forma repetida, cambiar el transductor de presión.

## Mensaje de fallo (6)

"Presión hidráulica alta Controlar el equipo"

## Causa (6)

La hoja se ha atascado causando presión hidráulica alta.

## Medida (6)

Pulsar 'OK' para acusar recibo del mensaje de fallo. Si el mensaje de fallo se muestra con frecuencia, avisar a un técnico de servicio.

## **Mensaje de fallo (7)**

'No hay contacto Controlar el cable de CAN'

### **Causa (7)**

En los controles remotos con radio y batería, se muestra una advertencia si desaparece la tensión de entrada en la unidad de alimentación.

El cable de CAN o su conector está dañado, con lo que no es posible controlar el equipo hidráulico con el mando a distancia.

### **Medida (7)**

Pulsar 'OK' para acusar recibo del mensaje de fallo. Controlar el cable y el conector y cambiar el componente dañado. Si se mantiene el fallo, avisar a un técnico de servicio.

## **Mensaje de fallo (8) – válido para grupos hidráulicos con sistema de radio**

'No hay contacto de radio'

### **Causa (8)**

El contacto de radio entre el equipo hidráulico y el mando a distancia no funciona.

### **Medida (8)**

Pueden ser necesarias varias medidas para remediar el fallo:

- Comprobar (con el menú de funcionamiento – ajustes – identidad de radio) que el número de identidad es mayor que 0.
- Comprobar que el equipo hidráulico está en marcha.
- Acercarse al equipo hidráulico para evitar distancia excesiva o paredes armadas.



# DATOS TECNICOS

## PP 455 E

Potencia hidráulica indicada, kW/CV	25/33,5	
Caudal máximo de aceite hidráulico (con 63A), l/min / gal/min	65/17	
Peso equipo hidráulico incluso aceite, kg/lbs	140/310	
Conexión eléctrica		
Europa + Australia 5 clavijas	400V (32-63A), 50Hz	
Europa + Asia 4 clavijas	400V (32-63A), 50Hz	
Noruega 5 clavijas	400V (32-63A), 50Hz	230V (80A), 50Hz
Japón 4 clavijas	200V (80A) 50, 60 Hz	
EE.UU. 4 clavijas	480V (32-63A, 60 Hz)	
Canadá 4 clavijas	600V (20-40A), 60Hz	
Equipo extra	enchufe de pared 2 x 230 V	

**¡IMPORTANTE!** Para potencia máxima rige el amperaje más alto.

---

# DECLARACIÓN DE GARANTÍA PARA EE. UU.

---

## POLÍTICA DE GARANTÍA

Todas las solicitudes de garantía se determinarán tras una inspección de las instalaciones correspondientes. Para toda reclamación de garantía se requerirá una autorización de devolución de productos (RGA). Póngase en contacto con el Departamento de servicio al cliente de Husqvarna llamando al 800-845-1312 para solicitar dicha autorización. El cliente deberá pagar los portes previamente y asumir cualquier gasto de mano de obra necesario para devolver o sustituir un producto para el que se ha solicitado una evaluación de garantía. Husqvarna pagará los gastos de envío de los productos reparados o nuevos aprobados.

## EQUIPO

El equipo fabricado por Husqvarna está garantizado frente a defectos de fabricación para el uso normal durante un periodo de dos (2) años desde la fecha de compra por parte del cliente original. **Los fabricantes de componentes ofrecen periodos de garantía específicos. Llame al servicio técnico (800-288-5040) para obtener más información.**

Nuestras obligaciones en virtud de la presente garantía quedan expresamente limitadas a la sustitución o reparación, en Husqvarna Construction Products North America (Olathe, Kansas 66061) o en el servicio técnico que designemos, de las piezas que se consideren defectuosas tras su inspección.

Esta garantía no es aplicable a los defectos causados por daños, uso no razonable o reparaciones defectuosas no realizadas por el personal del servicio técnico autorizado por Husqvarna, o defectos causados por no haber realizado un mantenimiento razonable cuando el equipo estaba en posesión del cliente. Además, la garantía quedará anulada si el producto o cualquiera de sus componentes ha sido alterado o modificado por el cliente, así como si ha sido usado de manera inadecuada o con herramientas que no hayan sido recomendadas por el fabricante.

**Excepciones:** Perforadoras: 3 meses. Sierras de pared: 1 año. Cortadoras: 3 meses. DM 230: 1 año. DM 225: 3 meses. Sistemas Gyro: 1 año. Sistema CD 40: 1 año. DS 160 C: 1 año. Smart box: 1 año. CS 2515: 1 año. pp 455 E: 1 año. PP 345 E: 1 año. HP 40: 1 año.

**Materiales fungibles:** Filtros, bujías, cojinetes\*, correas, ruedas\*\* y almohadillas de desgaste.

\*Excepto en el sistema IntelliSeal™. \*\*Excepto en el deslaminado.



US - Original instructions, CA - Instructions d'origine, ES - Instrucciones originales



1157653-49

2015-08-25