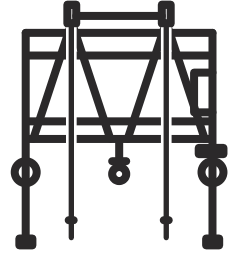




Husqvarna®



RIGG 900 FI

EN	Operator's manual	2-21
DE	Bedienungsanweisung	22-41
FR	Manuel d'utilisation	42-61
NL	Gebruiksaanwijzing	62-80

Contents

Introduction.....	2	Troubleshooting.....	15
Safety.....	5	Transportation, storage and disposal.....	16
Installation.....	8	Technical data.....	18
Operation.....	11	Declaration of Conformity.....	20
Maintenance.....	14		

Introduction

Product description

The product is a rigging system for storage tanks with floating roofs. The product is only to be used for the EBE 900 V shot blaster.

Intended use

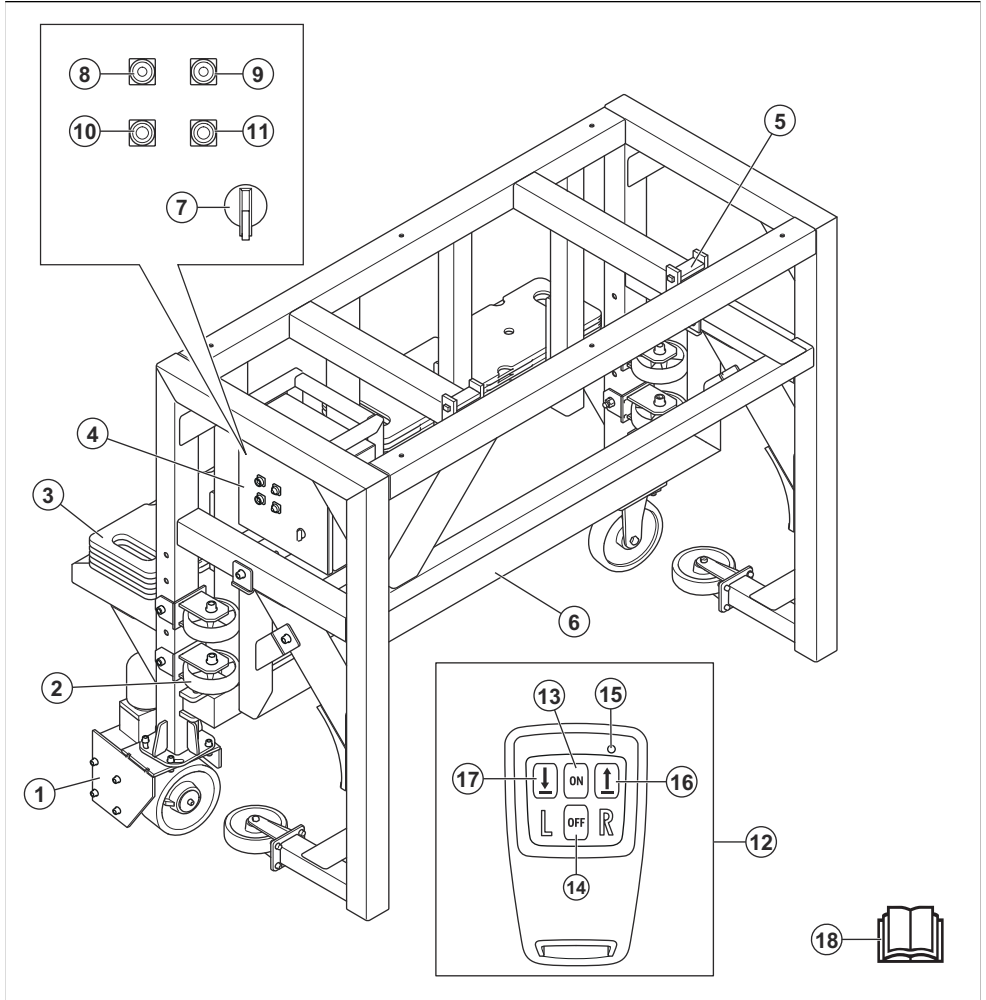
The product is used to move the EBE 900 V shot blaster left and right along the vertical steel surfaces

of storage tanks. The product can be operated with a remote control.

The product is used in commercial operations by professional operators.

Do not use the product for other tasks.

Product overview



1. Drive unit
2. Support wheels
3. Counterweights
4. Electrical enclosure and control panel
5. Suspensions for steel wire rope
6. Safety beam
7. ON/OFF switch
8. Green indicator for control voltage
9. Red indicator for phase sequence failure
10. Move left button
11. Move right button
12. Remote control

13. ON button
14. OFF button
15. LED
16. Move right button
17. Move left button
18. Operator's manual

Symbols on the product



Warning: This product can be dangerous and cause serious injury or death to the operator or others. Be careful and use the product correctly.



High voltage.



Lifting point on the product.



Read the manual carefully and make sure that you understand the instructions before you use the product.



Use approved protective helmet, hearing protection, eye protection and respiratory protection.



Use approved protective gloves.



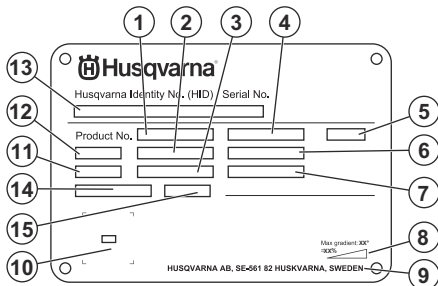
Use approved protective boots.



This product is in compliance with applicable EU directives.

Note: Other symbols/decals on the product refer to special certification requirements for some markets.

Type plate



1. Product number
2. Product weight
3. Rated power
4. Rated voltage
5. Enclosure
6. Rated current
7. Frequency
8. Maximum slope angle
9. Manufacturer
10. Scannable code
11. Production year
12. Model
13. Serial number
14. Work load lift
15. Value work load lift

Product damage

We are not responsible for damages to our product if:

- the product is incorrectly repaired.
- the product is repaired with parts that are not from the manufacturer or not approved by the manufacturer.
- the product has an accessory that is not from the manufacturer or not approved by the manufacturer.
- the product is not repaired at an approved service center or by an approved authority.

Safety

Safety definitions

Warnings, cautions and notes are used to point out specially important parts of the manual.



WARNING: Used if there is a risk of injury or death for the operator or bystanders if the instructions in the manual are not obeyed.



CAUTION: Used if there is a risk of damage to the product, other materials or the adjacent area if the instructions in the manual are not obeyed.

Note: Used to give more information that is necessary in a given situation.

General safety instructions



WARNING: Read the warning instructions that follow before you use the product.

- Keep the product clean. Make sure that you can clearly read signs and decals.
 - Do not use the product if it is damaged or does not operate correctly.
 - Do not do modifications to this product.
 - Do not operate the product if it is possible that other persons have done modifications to the product.
-
- ## Safety instructions for operation
-
-
- WARNING:** Read the warning instructions that follow before you use the product.
- Use personal protective equipment. Refer to *Personal protective equipment on page 6*.
 - Do not operate the product without all protective covers installed.
 - Do not use the product to lift persons or other objects than the shot blaster.
 - Stay behind the product at a safe distance, and with a clear view of the product, when you operate it.
 - Do not stay below the product.
 - Do not use the product on wood.
 - Make sure that you know how to stop the product quickly in an emergency.
 - Do not operate the product in too small steps. Frequent operation of the product in small steps can cause damage to the product.
 - Before you go away from the product, stop the product and disconnect the power cord. Make sure that there is no risk of accidental start.
 - Make sure that clothing, long hair and jewelry do not get caught in moving parts
 - Make sure that you are in a safe and stable position during operation.
 - Make sure that there are no loose bolts and nuts.
 - Always use approved accessories. Speak to your Husqvarna dealer for more information.
 - Make sure that there is no grease or oil on the handles.
 - Make sure that there is no ice on the product. Ice has a negative effect on the function of the product and changes the structure of the material.
 - Keep chemicals away from the product.
 - Do not weld on the product or the steel wire ropes.
 - Do not use the product unless you are able to call for help in case of an accident.
 - Do not operate the product unless you can get aid if an accident occurs.

Personal protective equipment



WARNING: Read the warning instructions that follow before you use the product.

- Always use approved personal protective equipment when you operate the product. Personal protective equipment cannot fully prevent injury but it decreases the degree of injury if an accident does occur. Let your dealer help you select the correct personal protective equipment and when to use them.
- Regularly do a check of the condition of the personal protective equipment.
- Use an approved protective helmet.
- Use approved hearing protection.
- Use approved respiratory protection.
- Use approved eye protection with side protection.
- Use protective gloves.
- Use boots with steel toe-cap and non-slip sole.
- Use approved work clothing or equivalent close-fitting clothing that has long sleeves and long legs.

Fire extinguisher

- Keep a fire extinguisher near during operation.
- Use a powder fire extinguisher or a carbon dioxide fire extinguisher.

Work area safety



WARNING: Read the warning instructions that follow before you use the product.

- It is the responsibility of the operator to analyze the surface to be treated. The user should make a risk assessment on the basis of the information obtained about the surface to be treated and take proper precautions for the work to be performed.
- Do not use the product in fog, rain, strong winds, cold weather, risk of lightning or other bad weather conditions.
- Look out for persons, objects and situations that can prevent safe operation of the product.
- Do not use the product in areas where fire or explosions can occur. The product creates sparks and flammable material can create ignition with the dust or fumes.
- Keep children, bystanders and animals away from the work area and at a safe distance from the product. Safe distance is 15 m/49 ft.
- Make sure that only approved persons are in the work area.
- Keep the work area clean and fully illuminated. Cluttered or dark areas invite accidents.

- Make sure that there are no cables or hoses in the operation direction of the product.
- Make sure that there are no obstacles that the product or the shot blaster can get caught on.
- Make sure that uneven surfaces, such as welded seams or floor joints, do not stop the product.
- Make sure that there is sufficient airflow in the work area.
- The operators that do not stay on ground level when the product is assembled must be certified to work on altitudes and use a fall protection system.
- Make sure that you know the maximum work load of the construction that will hold the rigging system and the product.

Electrical safety



WARNING: There is always a risk of shocks from electrical products. Do not use the product in bad weather conditions. Do not touch lightning conductors and metal objects. Always use the product as given in this operator's manual to prevent injury.



WARNING: Always use a power supply with RCD (residual-current device). An RCD decreases the risk of electrical shock.



WARNING: High voltage. There are unprotected parts in the power unit. Always disconnect the power plug before you open the door to the electrical box.



CAUTION: The power supply from the product or generator must be sufficient and constant to make sure that the motors operate without problems. Incorrect voltage causes the power consumption and the temperature of the motors to increase until the safety circuit releases. The dimension of the power cord must agree with national and local regulations. The dimension of the mains socket must agree with the amperage for the electrical socket and extension cable of the product.

If the power mains has higher system resistance, short voltage drop can occur when the product is started. This can influence the operation of other products, for example flicker on the lights.

- The power plug must match the outlet. Never modify the plug in any way. Do not use any adapter plugs with earthed (grounded) power tools. Unmodified plugs and matching outlets will reduce risk of electric shock.

- Avoid body contact with earthed or grounded surfaces, such as pipes, radiators, ranges and refrigerators. There is an increased risk of electric shock if your body is earthed or grounded.
- Make sure that the power, fuse and mains voltage are the same as the voltage shown on the rating plate of the product.
- Always stop the product before you disconnect the power plug.
- Always disconnect the power supply before you open the electrical enclosure.
- Make sure that the ON/OFF switch is in OFF position before the product is connected to the power supply.
- Always disconnect the power plug during a long product stop.
- Do not use the product if the power cord or power plug is damaged. Let an approved service center repair the product. A damaged power cord can cause serious injury and death.
- Use the power cord correctly. Do not use the power cord to move, pull or disconnect the product. Pull the power plug to disconnect the power cord. Do not pull the power cord.
- Only operate the product on dry surfaces.
- Keep the product away from rain. Water that goes into the product increases the risk of electrical shock.
- Always disconnect the power cord before you connect or disconnect the connection for the motor cable and the electrical enclosure.
- In order to avoid a hazard due to inadvertent resetting of the thermal cut-out, this appliance must not be supplied through an external switching device, such as a timer, or connected to a circuit that is regularly switched on and off by the utility.
- Make sure that the power supply for the product is supplied by separate transformers that are used for industrial purpose only.

Grounded product instructions



WARNING: Incorrect connection can result in electrical shock. Speak to an approved electrician if you are not sure if your mains outlet is correctly grounded.

Do not do modifications to the power plug from its factory specification. If the power plug or power cord is damaged or must be replaced, speak to your Husqvarna service agent. Obey local regulations and laws.

If you do not fully understand the instructions about the grounded product, speak to an approved electrician.

Use only grounded outdoor extension cables with grounding plugs and grounding outlet that accepts the product power plug.

The product has a grounded power cord and power plug. Always connect the product to a grounded mains outlet. This decreases the risk of electrical shock.

Do not use electrical adapters with the product.

Extension cables

- Use only approved extension cables with applicable properties.
- The rated value on the extension cable must be the same or higher than given on the rating plate of the product.
- Use grounded extension cables.
- When you operate the product outdoors, use an extension cable that is applicable for outdoor operation. This decreases the risk of electrical shock.
- Keep the connection to the extension cable dry and off the ground.
- Keep the extension cable away from heat, oil, sharp edges or moving parts. A damaged cable increases the risk of electrical shock.
- Make sure that the extension cable is in good condition and not damaged.
- Do not use the extension cable while it is wound up. This can cause the extension cable to become too hot.
- Make sure that the extension cable is out of the way and the product during operation. This prevents damage to the extension cable.

Safety devices on the product



WARNING: Read the warning instructions that follow before you use the product.

- Do not use a product with safety devices that are damaged or do not operate correctly.
- Do a check of the safety devices regularly. If the safety devices are damaged or do not operate correctly, speak to your Husqvarna service agent.
- Do not make modifications to safety devices.

ON/OFF switch

The ON/OFF switch is used to start and stop the power supply to the product.

To do a check of the ON/OFF switch

Refer to *Product overview on page 3* for information about where the ON/OFF switch is on your product.

1. Turn the ON/OFF switch to the ON (I) position.
2. Make sure that the indicator for control voltage comes on.
3. Turn the ON/OFF switch to the OFF (O) position.
4. Make sure that the indicator for control voltage goes off.

Safety instructions for maintenance



WARNING: Read the warning instructions that follow before you use the product.

- Only do the maintenance as given in this operator's manual. Let an approved service agent do all other servicing.
- If the maintenance is not done correctly and regularly, the risk of injury and damage to the product increases.
- Clean the product to remove dangerous material before you do the maintenance.
- Do the maintenance of the product on stable level ground. Make sure that the product cannot move.

- Do not make modifications to the product. Modifications that are not approved by the manufacturer can cause serious injury or death.
- Replace damaged, worn or broken parts.
- Do not use a pressure washer to clean the product.
- Only use lint-free cleaning cloths.
- Always use original accessories and spare parts. Accessories and spare parts that are not approved by the manufacturer, can cause serious injury or death.
- After maintenance, do a check of the vibration level in the product. If it is not correct, speak to an approved service agent.
- Let an approved service agent do servicing on the product regularly.

Installation

Introduction



WARNING: Read and understand the safety chapter before you install the product.



WARNING: Always use personal protective equipment. Refer to *Personal protective equipment* on page 6.



WARNING: Persons who are on top of a tank or above ground level must be secured by a safety lifeline fall protection system. Follow local applicable regulations.



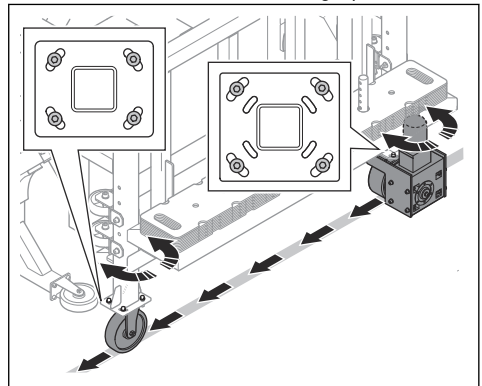
WARNING: Make sure that the steel wire ropes are clean and not damaged. Make sure that the certificates for the steel wire ropes, the rigging system and the winch motors are valid.



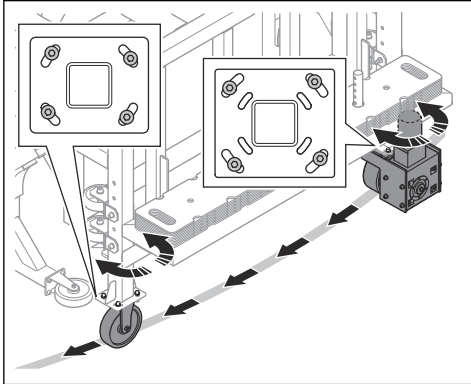
WARNING: When the operators have assembled the product, they must go down to ground level and keep a safe distance to the product.

To adjust the drive wheels to the diameter of the storage tank

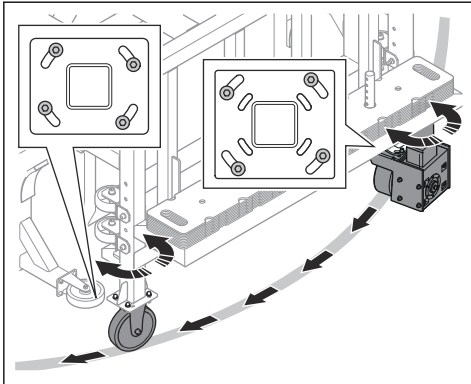
- If the diameter of the storage tank is larger than 25 m, set the drive wheels in the straight position.



- If the diameter of the storage tank is 15–25 m, set the drive wheels in the middle position.



- If the diameter of the storage tank is smaller than 15 m, set the drive wheels in the maximum turned position.

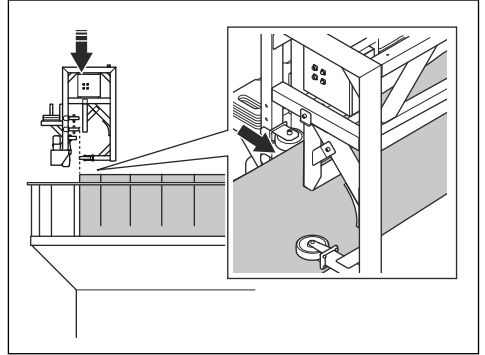


To install the product on a storage tank

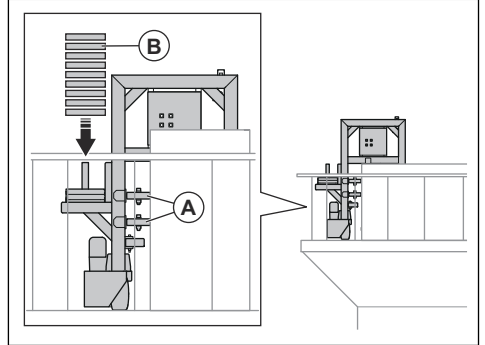


WARNING: Do not stay below the product when you install the product.

1. Lift the product onto the roof of the storage tank. Use applicable lifting equipment. Refer to *To lift the product on page 16*.

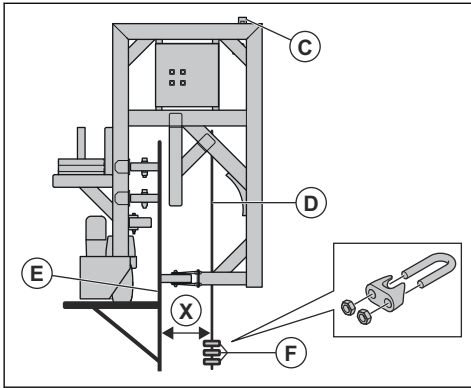


2. Install the 4 support wheels (A). Use 1 M16x150 bolt, 2 M16 washers, and 1 M16 locknut to install each support wheel.



3. Add counterweights (B) to the product. Refer to *To add and remove counterweights on page 10*.
4. Install the 2 steel wire ropes for the EBE 900 V shot blaster in the 2 suspensions (C) for the steel wire ropes.

- Adjust the 2 suspensions for the steel wire ropes to the correct position on the horizontal tubes of the frame. The correct position is when the distance (X) between the steel wire rope (D) and the wall (E) of the storage tank is 349 mm. Use 2 M20x180 bolts, 4 M20 washers, and 2 M20 locknuts.



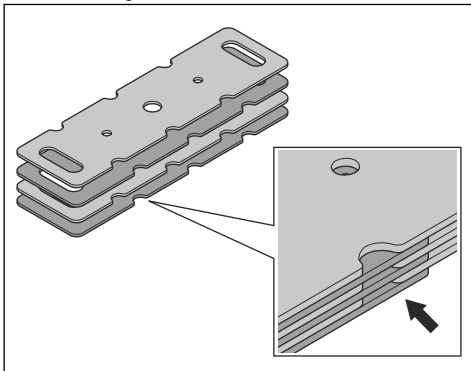
- Install the 6 clamps (F) at the necessary height on the steel wire ropes. The clamps engage the limit switch on the EBE 900 V shot blaster.
- Adjust the drive wheels to the radius of the storage tank. Refer to *To adjust the drive wheels to the diameter of the storage tank on page 8.*

To add and remove counterweights

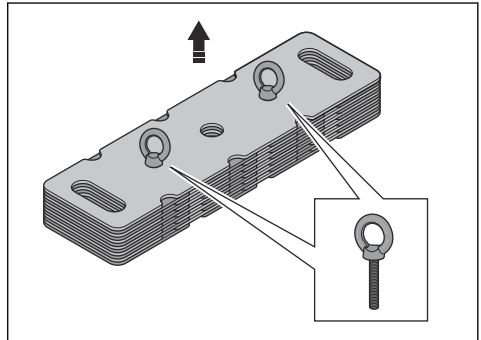


CAUTION: Do not use too many counterweights. The maximum permitted total counterweight is 600 kg. This is equal to 30 counterweights.

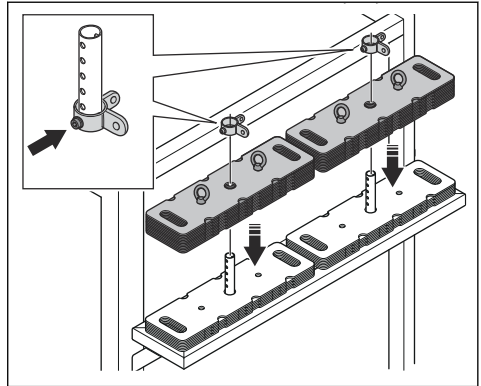
- Put 12 counterweights in the opposite direction of each other. This makes it easier to remove the counterweights with a screwdriver.



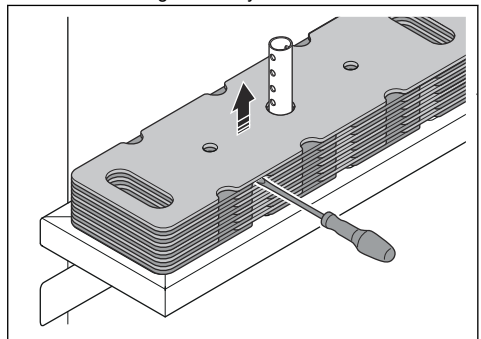
- Attach the lifting eyes to the counterweights. The length of the bolts on the lifting eyes is sufficient to lift 12 counterweights at a time.



- Put the counterweights on the counterweight rack on the product. Use the 4 lifting eyes when you lift the counterweights onto the counterweight rack.



- Install the clamp rings and tighten the set screws.
- Remove the lifting eyes.
- To remove a counterweight, do the steps that follow.
 - Remove the clamp rings.
 - Use a flat screwdriver to slightly lift the counterweight before you remove it.



Operation

Introduction



WARNING: Read and understand the safety chapter before you use the product.



WARNING: Make sure that the 6 clamps on the steel wire ropes are tightened.

To do before you operate the product

1. Read the operator's manual for this product, the EBE 900 V shot blaster, and the dust collector carefully and make sure that you understand the instructions.
2. If a generator is used as a power source for the product, read and understand the operator's manual of the generator.
3. Use personal protective equipment. Refer to *Personal protective equipment on page 6*.
4. Do a visual inspection of the product. Refer to *To do a visual inspection on page 11*.
5. Make sure that the product is assembled correctly and is not damaged.
6. Make sure that all bolts, screws and nuts are tightened.
7. Do daily maintenance. Refer to *Maintenance schedule on page 14*.
8. Install the product on the storage tank. Refer to *To install the product on a storage tank on page 9*.
9. Make sure that only approved persons are in the work area.
10. Make sure that the ON/OFF switch is in the OFF position before you connect the product to a power supply.
11. Connect the product to a power source. Refer to *To connect the product to a power source on page 12*.

To do a visual inspection



WARNING: Do not use the product if the visual inspection gives indications of damage or wear. If you are not sure about the condition of the product or the lifting equipment, speak to a competent person for more inspections.



WARNING: Seawater increases the speed of the corrosion process.

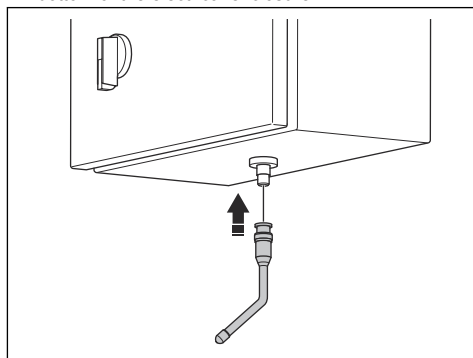


WARNING: Sand, concrete dust, and other particles increase the speed of the wear process.

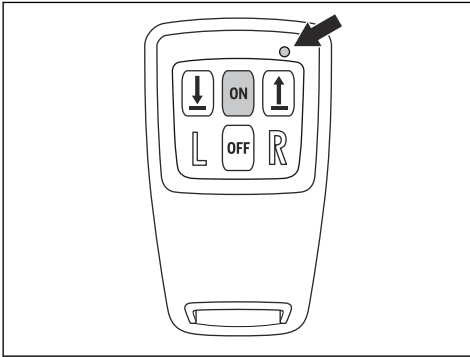
- Make sure that there is no wear or damage.
- Make sure that there is no deformation. Deformation decreases the material strength.
- Make sure that there is no corrosion.
- Make sure that there is no ice on the product.
- Make sure that there are no loose bolts or nuts.
- Make sure that no bearings or wheels are worn.
- Examine all welded joints for cracks.
- Make sure that no label is missing and that you can read all labels.
- Examine the steel wire ropes for wear and damage. Refer to the operator's manual for the EBE 900 V shot blaster.
- Make sure that the lifting equipment has no cracks, notches, grooves, corrosion or heat discoloration.

To do a pairing operation of the remote control and the product

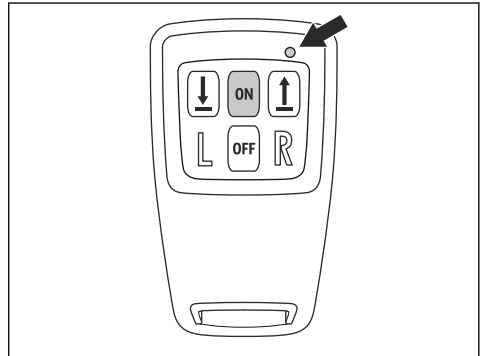
1. Install the antenna for the remote control at the bottom of the electrical enclosure.



2. Push the ON button for 3 seconds. The LED flashes with a green light during startup. When the LED flashes with a green light slowly, the pairing operation is done.



3. Push the ON button on the remote control to start the remote control. The LED flashes with a green light.

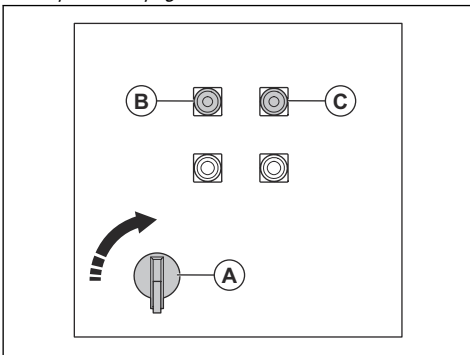


To connect the product to a power source

1. Connect the power plug of the product to a grounded mains outlet or other power source.
2. Make sure that the mains voltage agrees with the type plate on the product.

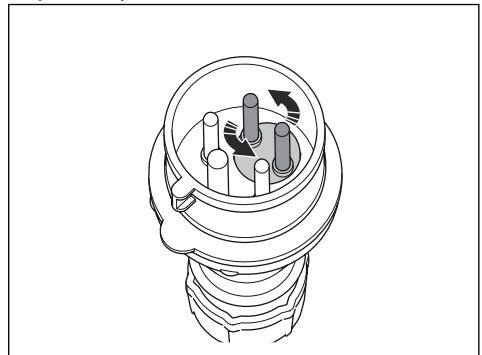
To start the product

1. Connect the product to a power source. Refer to *To connect the product to a power source on page 12*.
2. Set the ON/OFF switch (A) in the ON position. The green indicator for control voltage (B) comes on. If the red indicator for phase sequence failure (C) comes on, the phase sequence in the power plug must be changed. Refer to *To change the phase sequence on page 12*.



To change the phase sequence

1. Set the ON/OFF switch in the OFF position.
2. Disconnect the power plug from the power supply.
3. Turn the connectors in the power plug to change the phase sequence.



To operate the product with the remote control

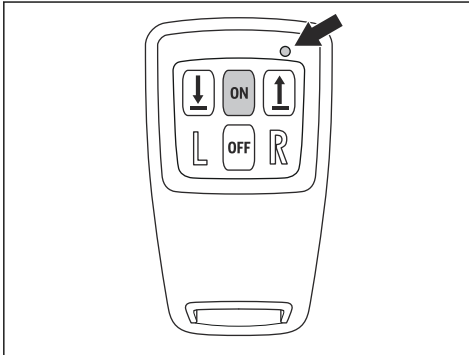
Note: The remote control is automatically de-energized after a period of time if it is not used.



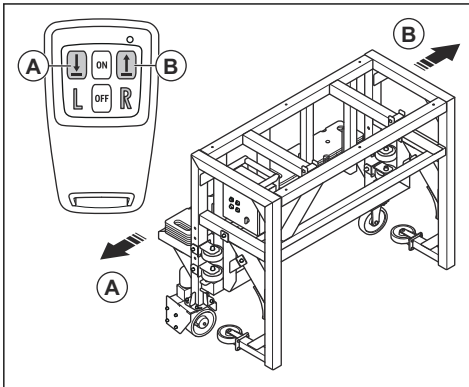
WARNING: Do not operate the product across the power supply cable.

1. Start the product. Refer to *To start the product on page 12*.
2. Do a pairing operation of the remote control and the product. Refer to *To do a pairing operation of the remote control and the product on page 11*.

3. Push the ON button on the remote control to start the remote control. The LED flashes with a green light.



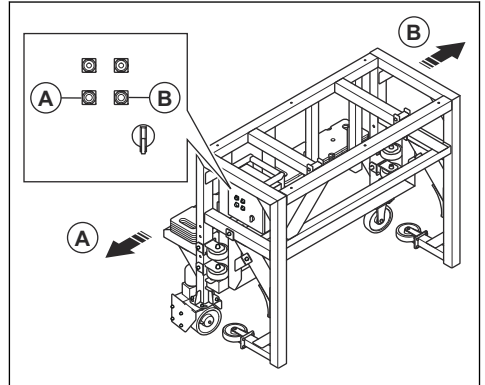
4. Use the left and right buttons to move the product to the left or to the right.



To operate the product with the control panel

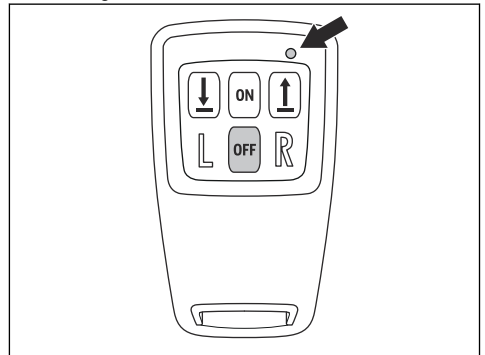
1. Start the product. Refer to *To start the product on page 12.*

2. Use the left button (A) to move the product to the left and the right button (B) to move the product to the right.

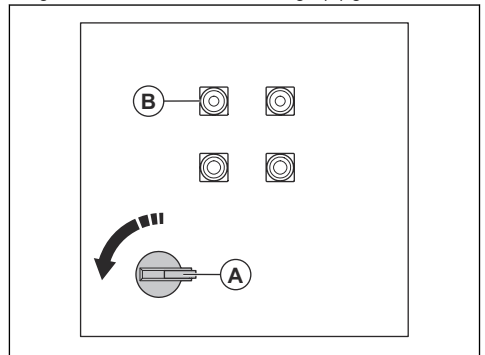


To stop the product

1. Push the OFF button on the remote control for 3 seconds. The LED flashes red before the remote control goes off.



2. Set the ON/OFF switch (A) in the OFF position. The green indicator for control voltage (B) goes off.



3. Disconnect the product from the power supply.

Maintenance

Introduction



WARNING: Before you do maintenance, you must read and understand the safety chapter.



WARNING: Use personal protective equipment when you do servicing and maintenance. Refer to *Personal protective equipment on page 6*.



WARNING: Before you do the maintenance, stop the motor and disconnect the power plug from the power supply. Make sure that all drives stop and let the product become cool.



WARNING: Do the maintenance of the product on stable level ground. Make sure that the product cannot move.

For all servicing and repair work on the product, special training is necessary. We guarantee the availability of professional repairs and servicing. If your dealer is not a service agent, speak to them for information about the nearest service agent.

For more detailed information, refer to www.husqvarnaconstruction.com.

Maintenance schedule

* = General maintenance done by the operator. The instructions are not given in this operator's manual.

X = The instructions are given in this operator's manual.

O = The instructions are not given in this operator's manual. Let an approved service agent do the maintenance.

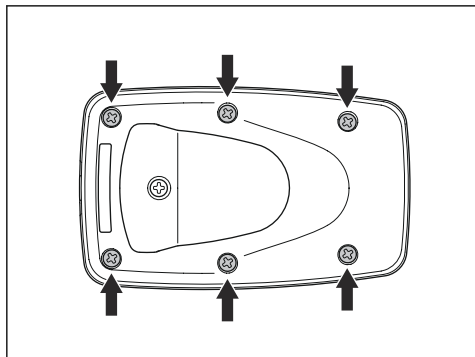
General product maintenance	Each 50 h	Daily	Yearly
Make sure that bolts, nuts, and screws are tight. Do this also 12 h after servicing and repairs.		*	
Do a check of the electrical components, the cables, and all connections for wear and damages.		*	
Do a check of the electric motor for wear and damages.		*	
Clean the inner parts of the electrical enclosure.		*	
Do a check of the RCD.		*	
Do maintenance on the remote control. Refer to the manufacturer's manual for the remote control.	*	*	*
Replace the ventilation filter of the electrical enclosure.	*		
Do an inspection of the drive motor and support wheels.	*		
Do a visual inspection of the product and the lifting equipment.		X	
Clean the product.		X	
Do a check of the safety devices on the product.		X	
Do a complete servicing and cleaning of the product.			O
Let a approved person do an inspection of the product and the safety devices on the product.			O
Lubricate the steel wire ropes.		X	

To clean the product

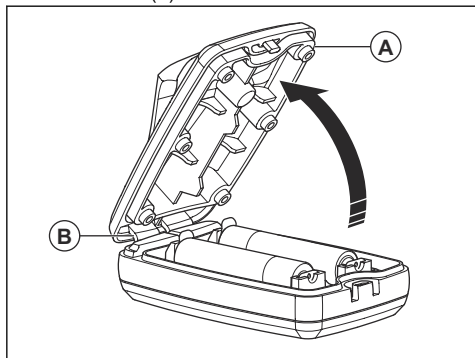
- Always clean all the equipment after use. Use a vacuum cleaner.
- Do not use a high-pressure washer to clean the product.
- Keep the air openings clean and clear to make sure that the product always has sufficiently cool temperature.

To replace the batteries in the remote control

1. Remove the 6 screws.



2. Carefully lift the top (A) of the battery cover and remove it. The battery cover is attached with hinges at the bottom (B).



3. Replace the batteries. For the correct battery type, refer to *Technical data on page 18*.
4. Attach the hinges at the bottom of the battery cover and push down the top of the battery cover.
5. Install the 6 screws and torque them to 1 Nm.

To lubricate the steel ropes



CAUTION: Do not lubricate the steel wire ropes with lubricants that contain molybdenum disulphide (MoS₂) or PTFE. Use a standard multi-purpose oil or grease.

1. Remove the steel wire ropes from the product. Make sure that you put the steel wire ropes on a clean surface.
2. Clean the steel ropes with a lint-free cloth.
3. Lubricate the steel wire ropes

Troubleshooting

To reset the product after an operation failure

1. Move the product down to the ground or onto a pallet.
2. Set the ON/OFF switch to OFF.
3. Push the OFF button on the remote control.
4. Wait 15 seconds and then set the ON/OFF switch to ON and start the remote control.

Troubleshooting of the remote control

Problem	Cause	Solution
The LED is red.	The voltage in the batteries is low.	Replace the batteries. Refer to <i>To replace the batteries in the remote control on page 15.</i>
The LED slowly flashes red 3 times.	The batteries are empty.	Replace the batteries. Refer to <i>To replace the batteries in the remote control on page 15.</i>
The LED quickly flashes red.	The output in the receiver is not in operation and there is no signal from the receiver.	Do a pairing operation. Refer to <i>To do a pairing operation of the remote control and the product on page 11.</i>

Transportation, storage and disposal

Transportation



WARNING: Be careful during transportation. The product is heavy and can cause injury or damage if it falls or moves during transportation.



CAUTION: Do not tow the product behind a vehicle.

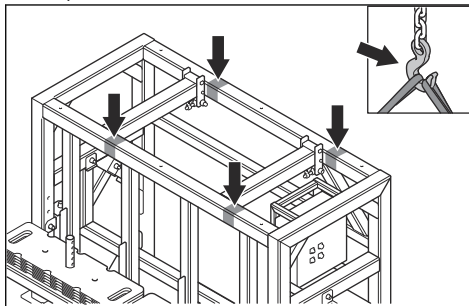
- Make sure that the power supply is disconnected before transportation.
- For transportation, lift the product to move it or put the product on a vehicle.
- Do not lift a damaged product. Make sure that the lifting eyes are correctly installed and not damaged.
- Always use the slowest speed when you lift the product.
- The cables on the lifting equipment must have tension before you lift the product from the ground.
- Do not walk or stay below or near a lifted product. Keep bystanders away from the work area.
- Make sure that you can see the product and the work area when you lift the product.
- Put protection on the product during transportation. The protection keeps natural elements, for example rain and snow, away from the product.

To lift the product



WARNING: Only lift the product with applicable lifting equipment.

- Attach the lifting equipment to the 4 lifting points of the product.



To attach the product to a transportation vehicle

Use the lifting points to attach the product to the transportation vehicle.

1. Attach the tie-down straps in the lifting points.
2. Attach and tighten the tie-down straps to the transportation vehicle.

Storage



CAUTION: Do not put the product in storage outdoors. Always keep the product indoors.

- Keep the product in a dry and cool storage with sufficient airflow.
- Do not keep the product on the floor, let the product hang above the floor.
- Clean the product and do a complete servicing before you put the product in storage.

- Make sure that you prevent corrosion if you put the steel wire ropes, chains, and other steel lifting equipment in storage for a longer time.
- Keep the product in a locked area to prevent access for children or persons that are not approved.

Disposal of the product

- Obey the local recycling requirements and applicable regulations.
- When the product no longer is used, send it to a Husqvarna dealer or discard it at a recycling location.

Technical data

	RIGG 900 FI
Weight, excl. counterweight, kg/lbs	580/1279
Weight, incl. max. counterweight, kg/lbs	980/2161
Product dimensions (L×W×H), mm/inch	2315×1330×1815/91×52×72
Rated voltage, V	400–460
Rated frequency, Hz	50/60
Electrical connection	16 A, 5 pole
Power consumption, drive motor, kW	0.18
Speed, m/min/ft/min	0–9/0-30
Maximum workload, kg/lbs	1300/2866
Dynamic test coefficient	1.1
Static test coefficient	1.25
Sound level, dB(A)	<70
Remote control	
Battery type	2 x AA/LR06 Alkaline
Frequency band, MHz	869
Channel separation, kHz	25
Functional sensitivity	Better than -107 dBm BER 10 ⁻⁴
Transmission principle	GMSK, TDMA
IP class	IP67
Ambient allowed temperature, °C/°F	0–45/32–113
Storage temperature, °C/°F	-40–+85/-40–+185

Note: If your product requires an electrical specification that is not in the table, speak to a Husqvarna service agent for more information.

Noise and vibration declaration statement

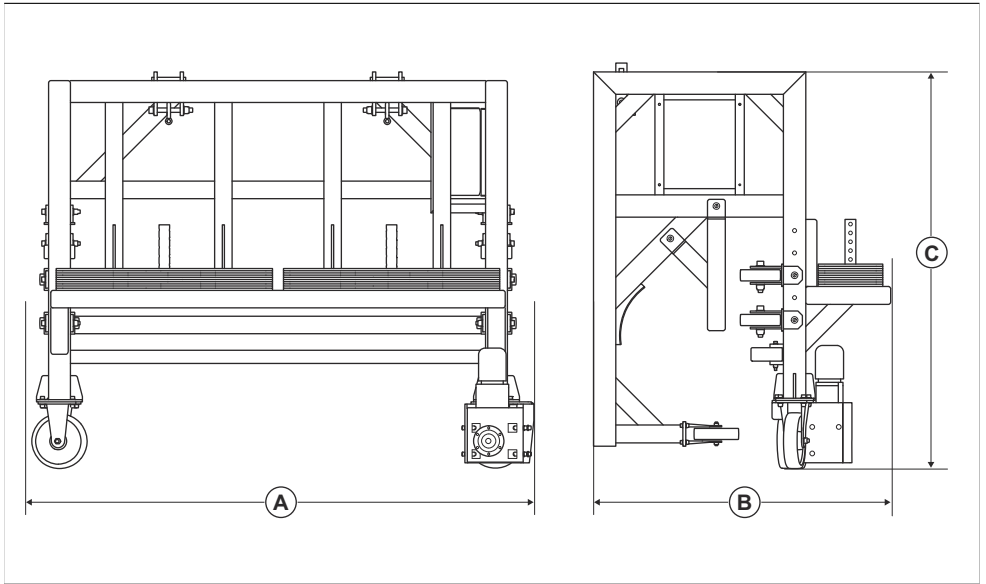
These declared values were obtained by laboratory type testing in accordance with the stated directive or standards and are suitable for comparison with the

declared values of other products tested in accordance with the same directive or standards. These declared values are not suitable for use in risk assessments and values measured in individual work places may be higher. The actual exposure values and risk of harm experienced by an individual user are unique and depend upon the way the user works, in what material the product is used, as well as upon the exposure time and the physical condition of the user, and the condition of the product.

Extension cables

Cable length	Cross section			
	≤ 16 A	≤ 32 A	≤ 63 A	≤ 125 A
Calculated at a pre-fuse GG ¹ :	16 amp	32 amp	63 amp	125 amp
> 20m	1.5 mm ²	2.5 mm ²	10 mm ²	25 mm ²
20m > 50m	2.5 mm ²	4 mm ²	10 mm ²	25 mm ²
50m > 75m	4 mm ²	6 mm ²	16 mm ²	35 mm ²

Product dimensions



A	Length, mm/inch	2315/91
B	Width, mm/inch	1330/52
C	Height, mm/inch	1814/72

¹ The cross sections must be re-calculated when other type or dimension pre-fuse are used than is given.

Declaration of Conformity

EU Declaration of Conformity

We, Husqvarna AB, SE-561 82 Huskvarna, Sweden, tel:
+46- 36-146500, declare on our sole responsibility that
the product:

Description	Rigging system
Brand	Husqvarna
Type/Model	RIGG 900 FI
Identification	Serial numbers dating from 2024 and onwards

complies fully with the following EU directives and
regulations:

Directive/Regulation	Description
2006/42/EC	"relating to machinery"
2014/53/EU	"relating to radio equipment"

and that the following standards and/or technical
specifications are applied;

EN ISO 12100:2010

EN 60204-1:2018

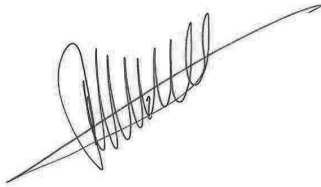
EN ESTI 300 220-1 v3.1.1

ETSI EN 300 220-2 V3.1.1

ETSI EN 301 489-1 V2.2.0

ETSI EN 301 489-3 V2.1.1

Soest, Netherland 2024



René van der Grint

Director CS&F INFRA, Product Category Concrete
Surfaces & Floors

Husqvarna AB, Construction Division

Responsible for technical documentation, available at
Nieuwegracht 9, 3763 LP Soest, Netherlands.



UK Declaration of Conformity

We Husqvarna AB, SE-561 82 Husqvarna, Sweden, tel: +46- 36-146500, declares on our sole responsibility that the product:

Description	Rigging System
Brand	Husqvarna
Type/Model	RIGG 900 FI
Identification	Serial numbers dating from 2024 and onwards

complies fully with the following UK regulations:

The Supply of Machinery (Safety) Regulations 2008
The Radio Equipment Regulations 2017

and that the following standards and/or technical specifications are applied;

EN ISO 12100:2010

EN 60204-1:2018

EN ESTI 300 220-1 v3.1.1

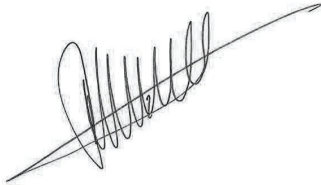
ETSI EN 300 220-2 V3.1.1

ETSI EN 301 489-1 V2.2.0

ETSI EN 301 489-3 V2.1.1

Soest, Netherland 2024

UK Importer:
Husqvarna UK Ltd
Preston Road, Co. Durham
DL5 6UP



René van der Grint

Director CS&F INFRA, Product Category Concrete Surfaces & Floors

Husqvarna AB, Construction Division

Responsible for technical documentation



Inhalt

Einleitung.....	22	Fehlerbehebung.....	37
Sicherheit.....	25	Transport, Lagerung und Entsorgung.....	37
Installation.....	29	Technische Daten.....	39
Betrieb.....	32	Konformitätserklärung.....	41
Wartung.....	35		

Einleitung

Gerätebeschreibung

Bei dem Gerät handelt es sich um ein Rigging-System für Lagertanks mit schwimmenden Dächern. Das Gerät darf nur für die Kugelstrahlmaschine EBE 900 V verwendet werden.

Verwendungszweck

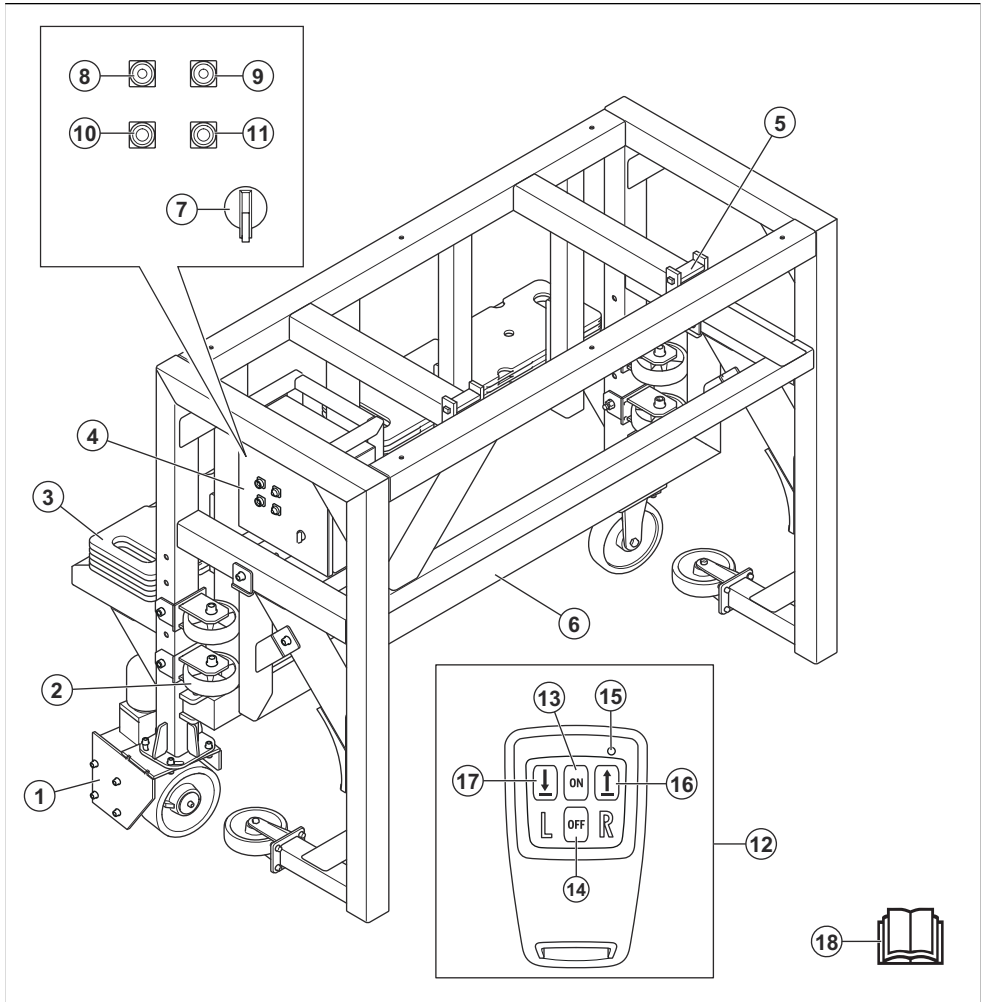
Das Gerät wird verwendet, um die Kugelstrahlmaschine EBE 900 V nach links und rechts entlang der vertikalen

Stahloberflächen von Lagertanks zu bewegen. Das Gerät kann mit einer Fernbedienung gesteuert werden.

Das Gerät ist für den gewerblichen Betrieb und für professionelle Bediener vorgesehen.

Verwenden Sie das Gerät nicht für andere Aufgaben.

Geräteübersicht



1. Antriebseinheit
2. Stützräder
3. Gegengewichte
4. Schaltschrank und Bedienfeld
5. Aufhängungen für Stahldrahtseil
6. Sicherheitsstrahl
7. ON/OFF-Schalter
8. Grüne Anzeige für Steuerspannung
9. Rote Anzeige für Phasenfolgefehler
10. Taste „Nach links“
11. Taste „Nach rechts“
12. Fernbedienung

13. ON-Taste
14. OFF-Taste
15. LED
16. Taste „Nach rechts“
17. Taste „Nach links“
18. Bedienungsanleitung

Symbole auf dem Gerät



Warnung: Dieses Gerät kann gefährlich sein und schwere oder tödliche Verletzungen des Bedieners oder anderer Personen verursachen. Gehen Sie

vorsichtig vor, und verwenden Sie das Gerät ordnungsgemäß.



Hochspannung.



Hebepunkt am Gerät.



Lesen Sie die Bedienungsanleitung sorgfältig durch, und machen Sie sich mit den Anweisungen vertraut, bevor Sie das Gerät verwenden.



Tragen Sie einen zugelassenen Schutzhelm, Gehörschutz, Augenschutz und Atemschutz.



Tragen Sie zugelassene Schutzhandschuhe.



Tragen Sie zugelassene Schutzstiefel.



Dieses Gerät entspricht den geltenden EU-Richtlinien.

1. Gerätenummer
2. Gerätegewicht
3. Nennleistung
4. Nennspannung
5. Gehäuse
6. Nennstrom
7. Häufigkeit
8. Maximaler Neigungswinkel
9. Hersteller
10. Scanbarer Code
11. Baujahr
12. Modell
13. Seriennummer
14. Arbeitslasthub
15. Wert für Arbeitslasthub

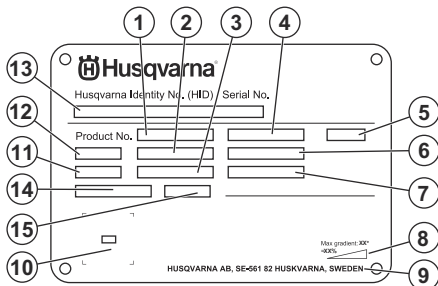
Produktschäden

Wir haften nicht für Schäden an unserem Produkt, wenn:

- das Gerät nicht ordnungsgemäß repariert wird.
- das Gerät mit Teilen repariert wird, die nicht vom Hersteller stammen oder nicht vom Hersteller zugelassen sind.
- ein Zubehörteil mit dem Gerät verwendet wird, das nicht vom Hersteller stammt oder nicht vom Hersteller zugelassen ist.
- das Gerät nicht bei einem zugelassenen Service Center oder von einem zugelassenen Fachmann repariert wird.

Hinweis: Sonstige Symbole/Aufkleber auf dem Gerät beziehen sich auf spezielle Zertifizierungsanforderungen, die in bestimmten Ländern gelten.

Typenschild



Sicherheit

Sicherheitsdefinitionen

Warnungen, Vorsichtsmaßnahmen und Hinweise werden verwendet, um auf besonders wichtige Teile der Bedienungsanleitung hinzuweisen.



WARNUNG: Wird verwendet, wenn bei Nichtbeachtung der Anweisungen in diesem Handbuch die Gefahr von Verletzung oder Tod des Bedieners oder anderer Personen besteht.



ACHTUNG: Wird verwendet, wenn bei Nichtbeachtung der Anweisungen in diesem Handbuch die Gefahr von Schäden am Gerät, an anderen Materialien oder in der Umgebung besteht.

Hinweis: Für weitere Informationen, die in bestimmten Situationen nötig sind.

Allgemeine Sicherheitshinweise



WARNUNG: Lesen Sie die folgenden Warnhinweise, bevor Sie das Gerät verwenden.

- Dieses Gerät ist ein gefährliches Werkzeug, wenn Sie nicht aufpassen oder es unsachgemäß verwenden. Dieses Gerät kann schwere oder tödliche Verletzungen des Bedieners oder anderer Personen verursachen. Es ist sehr wichtig, dass Sie vor der Anwendung des Produkts den Inhalt dieser Bedienungsanleitung gelesen und verstanden haben.
- Der Gebrauch dieses Geräts ist Personen (einschließlich Kindern), die über eingeschränkte körperliche, sensorische oder geistige Fähigkeiten verfügen oder denen es an der erforderlichen Erfahrung und Kenntnissen mangelt, untersagt.
- Bewahren Sie alle Warn- und Sicherheitshinweise auf.
- Halten Sie alle geltenden Gesetze und Vorschriften ein.
- Der Bediener und dessen Arbeitgeber müssen die mit dem Betrieb des Geräts verbundenen Gefahren kennen und vermeiden.
- Untersagen Sie allen Personen die Benutzung des Geräts, bis diese den Inhalt der Bedienungsanleitung gelesen und verstanden haben.
- Verwenden Sie das Gerät nicht, ohne vorher dafür geschult worden zu sein. Stellen Sie sicher, dass alle Bediener Schulungen erhalten.

- Lassen Sie nicht zu, dass Kinder das Gerät verwenden.
- Es dürfen nur zugelassene Personen mit dem Gerät arbeiten.
- Der Bediener ist für unfälle verantwortlich, die anderen Personen zustoßen oder an deren Eigentum entstehen.
- Verwenden Sie das Gerät nicht, wenn Sie müde oder krank sind oder unter Einfluss von Alkohol, Drogen oder Medikamenten stehen.
- Lassen Sie immer Vorsicht walten, und arbeiten Sie mit gesundem Menschenverstand.
- Halten Sie das Gerät sauber. Stellen Sie sicher, dass Symbole und Aufkleber deutlich lesbar sind.
- Verwenden Sie das Gerät nicht, wenn es beschädigt ist oder nicht ordnungsgemäß funktioniert.
- Nehmen Sie keine Modifikationen am Gerät vor.
- Bedienen Sie das Gerät nicht, wenn die Möglichkeit besteht, dass andere Personen Modifikationen daran durchgeführt haben.

Sicherheitshinweise für den Betrieb



WARNUNG: Lesen Sie die folgenden Warnhinweise, bevor Sie das Gerät verwenden.

- Tragen Sie eine persönliche Schutzausrüstung. Siehe *Persönliche Schutzausrüstung auf Seite 26*.
- Bedienen Sie das Gerät nicht, ohne dass alle Schutzabdeckungen montiert sind.
- Verwenden Sie das Gerät nicht, um Personen oder andere Gegenstände außer der Kugelstrahlmaschine zu heben.
- Halten Sie sich in einem sicheren Abstand hinter dem Gerät und mit direktem Blick auf das Gerät auf, wenn Sie es bedienen.
- Stehen Sie nicht unterhalb des Geräts.
- Verwenden Sie das Gerät nicht für Holz.
- Stellen Sie sicher, dass Sie wissen, wie das Gerät in einem Notfall schnell gestoppt werden kann.
- Bedienen Sie das Gerät nicht in zu kleinen Schritten. Der häufige Betrieb des Geräts in kleinen Schritten kann zu Schäden am Gerät führen.
- Bevor Sie sich vom Gerät entfernen, stoppen Sie es, und ziehen Sie das Netzkabel ab. Stellen Sie sicher, dass versehentliches Starten verhindert wird.
- Achten Sie darauf, dass sich Kleidung, langes Haar und Schmuck nicht in beweglichen Teilen verfangen können
- Stellen Sie sicher, dass Sie während der Arbeit eine sichere und stabile Position einnehmen.
- Stellen Sie sicher, dass keine Schrauben oder Muttern locker sind.

- Verwenden Sie immer zugelassenes Zubehör. Ihr Husqvarna-Händler steht Ihnen gern für weitere Informationen zur Verfügung.
- Achten Sie darauf, dass sich auf den Handgriffen kein Fett oder Öl befindet.
- Stellen Sie sicher, sich kein Eis auf dem Gerät befindet. Eis wirkt sich negativ auf die Funktion des Geräts aus und verändert die Struktur des Materials.
- Halten Sie Chemikalien vom Gerät fern.
- Keine Schweißarbeiten am Gerät oder an den Stahldrahtseilen durchführen.
- Sie dürfen das Gerät niemals verwenden, wenn nicht die Möglichkeit besteht, bei einem Unfall Hilfe herbeizurufen.
- Bedienen Sie das Gerät nur dann, wenn Sie bei einem Unfall Hilfe bekommen können.
- Es liegt in der Verantwortung des Bedieners, die zu behandelnde Oberfläche zu analysieren. Der Benutzer sollte eine Risikobewertung aufgrund der ermittelten Informationen über die zu behandelnde Oberfläche durchführen und geeignete Vorsichtsmaßnahmen für die auszuführenden Arbeiten treffen.
- Verwenden Sie das Gerät nicht bei Nebel, Regen, starkem Wind, kaltem Wetter, Gewittergefahr oder anderen schlechten Wetterbedingungen.
- Achten Sie auf Personen, Objekte und Situationen, die einen sicheren Betrieb des Geräts verhindern könnten.
- Verwenden Sie das Gerät nicht in Bereichen, in denen Feuer oder Explosionen auftreten können. Das Gerät erzeugt Funken und entflammables Material kann sich mit Staub oder Dämpfen entzünden.

Persönliche Schutzausrüstung



WARNUNG: Lesen Sie die folgenden Warnhinweise, bevor Sie das Gerät verwenden.

- Verwenden Sie stets die vorgeschriebene persönliche Schutzausrüstung bei der Bedienung des Geräts. Die persönliche Schutzausrüstung kann Verletzungen nicht vollständig vermeiden, vermindert aber den Umfang der Verletzungen und Schäden bei einem Unfall. Lassen Sie sich bei der Auswahl der korrekten persönlichen Schutzausrüstung und für deren Verwendung von Ihrem Händler beraten.
- Überprüfen Sie regelmäßig den Zustand der persönlichen Schutzausrüstung.
- Verwenden Sie einen zugelassenen Schutzhelm.
- Tragen Sie einen zugelassenen Gehörschutz.
- Tragen Sie einen zugelassenen Atemschutz.
- Tragen Sie einen zugelassenen Augenschutz mit seitlicher Abschirmung.
- Tragen Sie stets Schutzhandschuhe.
- Tragen Sie Stiefel mit Stahlkappe und rutschfester Sohle.
- Tragen Sie zugelassene Arbeitskleidung oder gleichwertige, eng anliegende Kleidung mit langen Ärmeln und langen Hosenbeinen.
- Achten Sie darauf, dass sich Kinder, umstehenden Personen und Tiere nicht im Arbeitsbereich aufhalten und in einem sicheren Abstand zum Gerät befinden. Der Sicherheitsabstand beträgt 15 m/49 ft.
- Stellen Sie sicher, dass sich nur befugte Personen im Arbeitsbereich befinden.
- Achten Sie auf einen sauberen und gut beleuchteten Arbeitsbereich. Durch zugestellte oder dunkle Arbeitsbereiche steigt die Unfallgefahr stark an.
- Stellen Sie sicher, dass sich keine Kabel oder Schläuche in der Betriebsrichtung des Geräts befinden.
- Stellen Sie sicher, dass keine Gegenstände im Weg sind, an denen sich das Gerät oder die Kugelstrahlmaschine verfangen könnte.
- Stellen Sie sicher, dass unebene Oberflächen, wie Schweißnähte oder Bodenverbindungen, das Gerät nicht stoppen.
- Achten Sie im Arbeitsbereich auf eine ausreichende Belüftung.
- Bediener, die beim Zusammenbau des Geräts nicht auf Bodenhöhe bleiben, müssen für die Arbeit in Höhen und die Verwendung eines Absturzsicherungssystems zertifiziert sein.
- Stellen Sie sicher, dass Sie die maximale Arbeitslast der Konstruktion kennen, die das Rigging-System und das Gerät aufnehmen kann.

Feuerlöscher

- Halten Sie in der Nähe des Arbeitsbereichs einen Feuerlöscher griffbereit.
- Verwenden Sie einen Pulver-Feuerlöscher oder einen Kohlendioxid-Feuerlöscher.

Sicherheit im Arbeitsbereich



WARNUNG: Lesen Sie die folgenden Warnhinweise, bevor Sie das Gerät verwenden.



WARNUNG: Bei elektrisch angetriebenen Geräten besteht immer die Gefahr von elektrischen Schlägen. Verwenden Sie das Gerät nicht bei schlechtem Wetter. Berühren Sie keine Blitzableiter und Metallgegenstände. Verwenden Sie das Gerät immer gemäß den in diesem Betriebshandbuch hinterlegten Anweisungen, um Verletzungen zu vermeiden.



WARNUNG: Verwenden Sie stets eine Stromversorgung mit Fehlerstromgerät (RCD). Durch ein RCD wird das Risiko von Stromschlägen verringert.



WARNUNG: Hochspannung. Das Antriebsaggregat enthält ungeschützte Teile. Trennen Sie immer den Netzstecker, bevor Sie die Klappe des Schaltkastens öffnen.



ACHTUNG: Die Stromversorgung aus dem Gerät oder vom Generator muss ausreichend und konstant sein, um einen störungsfreien Betrieb der Motoren sicherzustellen. Eine falsche Spannung führt dazu, dass der Stromverbrauch und die Temperatur der Motoren ansteigen, bis der Sicherheitskreis ausgelöst wird. Die Auslegung des Netzkabels muss mit den nationalen und lokalen Vorschriften übereinstimmen. Die Auslegung der Netzsteckdose muss mit der Stromstärke der Steckdose und des Verlängerungskabels des Geräts übereinstimmen.

Wenn das Stromnetz einen höheren Systemwiderstand aufweist, kann beim Starten des Geräts die Spannung kurzzeitig abfallen. Dies kann den Betrieb anderer Geräte beeinflussen, z. B. ein Flackern des Lichts verursachen.

- Der Netzstecker muss zur Steckdose passen. Der Netzstecker darf in keiner Weise verändert werden. Verwenden Sie bei Elektrowerkzeugen mit Schutzkontakt (geerdet) niemals Adapterstecker. Nicht modifizierte Stecker und passende Steckdosen reduzieren das Risiko eines Stromschlags.
- Vermeiden Sie Körperkontakt mit geerdeten Gegenständen wie Rohrleitungen, Heizungen, Herden oder Kühlschränken. Bei Körperkontakt mit geerdeten Gegenständen besteht ein erhöhtes Stromschlagrisiko.
- Kontrollieren Sie, ob die Leistung, die Sicherung und die Netzspannung mit dem entsprechenden Spannungswert auf dem Typenschild des Geräts übereinstimmen.
- Schalten Sie das Gerät immer aus, bevor Sie den Netzstecker ziehen.
- Ziehen Sie das Netzkabel immer ab, bevor Sie den Schaltkasten öffnen.
- Stellen Sie sicher, dass sich der EIN-/AUS-Schalter in der Position OFF befindet, bevor Sie das Gerät am Netzteil anschließen.
- Ziehen Sie immer den Netzstecker, wenn Sie das Gerät längere Zeit nicht verwenden.

- Verwenden Sie das Gerät nicht, wenn Kabel oder Stecker beschädigt sind. Lassen Sie die Reparatur von einer autorisierten Servicewerkstatt durchführen. Ein beschädigtes Netzkabel kann zu schweren und tödlichen Verletzungen führen.
- Verwenden Sie das Netzkabel nach Vorschrift. Verwenden Sie das Netzkabel nicht, um das Gerät zu verschieben, zu ziehen oder von der Netzspannung zu trennen. Ziehen Sie direkt am Stecker, um das Netzkabel abzuziehen. Ziehen Sie nicht am Netzkabel.
- Verwenden Sie das Gerät nur auf trockenen Flächen.
- Halten Sie das Gerät von Regen fern. Wasser, das in das Gerät eindringt, erhöht das Risiko eines elektrischen Schlags.
- Achten Sie immer darauf, dass das Netzkabel getrennt ist, wenn Sie den Stecker des Motorkabels und des Schaltkastens ein- oder ausstecken.
- Um eine Gefährdung durch versehentliches Zurücksetzen des Thermowächters zu vermeiden, darf dieses Gerät nicht über ein externes Schaltgerät, z. B. einen Timer, ans Stromnetz oder an einen Stromkreis angeschlossen werden, der regelmäßig von der Anlage ein- und ausgeschaltet wird.
- Achten Sie darauf, dass die Stromversorgung für das Gerät über separate Transformatoren erfolgt, die nur für industrielle Zwecke verwendet werden.

Anweisungen für geerdete Geräte



WARNUNG: Ein falscher Anschluss kann zu einem Stromschlag führen. Wenden Sie sich an einen qualifizierten Elektriker, wenn Sie Zweifel daran haben, ob die Netzsteckdose richtig geerdet ist.

Nehmen Sie keine Modifikationen am Netzstecker vor. Dieser muss den Werksspezifikationen entsprechen. Wenn der Netzstecker oder das Netzkabel beschädigt ist oder ersetzt werden muss, wenden Sie sich an Ihre Husqvarna Servicewerkstatt. Beachten Sie die vor Ort geltenden Vorschriften und Gesetze.

Wenden Sie sich an einen qualifizierten Elektriker, wenn Sie die Anweisungen hinsichtlich des geerdeten Geräts nicht vollständig verstehen.

Verwenden Sie nur geerdete Verlängerungskabel für den Außenbereich mit Erdungssteckern und einer Erdungssteckdose, die für den Netzstecker des Geräts geeignet ist.

Das Gerät verfügt über ein geerdetes Netzkabel und einen Netzstecker. Schließen Sie das Gerät immer an eine geerdete Steckdose an. Dadurch wird das Risiko von Stromschlägen verringert.

Verwenden Sie keine elektrischen Adapter am Gerät.

Verlängerungskabel

- Verwenden Sie nur zugelassene Verlängerungskabel mit den entsprechenden Eigenschaften.
- Der Nennwert auf dem Verlängerungskabel muss dem auf dem Typenschild des Geräts angegebenen Wert entsprechen oder höher sein.
- Verwenden Sie Schuko-Verlängerungskabel.
- Wenn Sie das Gerät im Freien benutzen, verwenden Sie ein für den Außeneinsatz geeignetes Verlängerungskabel. Dadurch wird das Risiko von Stromschlägen verringert.
- Achten Sie darauf, dass die Verbindung mit dem Verlängerungskabel trocken ist und keinen Bodenkontakt hat.
- Halten Sie das Verlängerungskabel fern von Hitzequellen, Öl, scharfen Kanten und beweglichen Teilen. Ein beschädigtes Kabel erhöht das Risiko eines Stromschlags.
- Stellen Sie sicher, dass sich das Verlängerungskabel in einem guten Zustand befindet und unbeschädigt ist.
- Verwenden Sie das Verlängerungskabel nicht im aufgewickelten Zustand. Dies kann dazu führen, dass das Verlängerungskabel zu heiß wird.
- Stellen Sie sicher, dass das Verlängerungskabel während des Betriebs nicht im Weg ist und das Gerät nicht behindert. Dadurch wird eine Beschädigung des Verlängerungskabels vermieden.

Sicherheitsvorrichtungen am Gerät



WARNUNG: Lesen Sie die folgenden Warnhinweise, bevor Sie das Gerät verwenden.

- Verwenden Sie kein Gerät mit Sicherheitsvorrichtungen, die beschädigt sind oder nicht ordnungsgemäß funktionieren.
- Führen Sie regelmäßig eine Überprüfung der Sicherheitsvorrichtungen durch. Wenn die Sicherheitsvorrichtungen beschädigt sind oder nicht ordnungsgemäß funktionieren, wenden Sie sich an den Kundendienst von Husqvarna.
- Führen Sie keine Änderungen an den Sicherheitsvorrichtungen durch.

EIN-/AUS-Schalter

Der ON/OFF-Schalter wird zum Starten und Stoppen der Stromversorgung des Geräts verwendet.

So prüfen Sie den EIN-/AUS-Schalter

Siehe *Geräteübersicht auf Seite 23* um zu erfahren, wo sich der ON/OFF-Schalter auf Ihrem Gerät befindet.

1. Drehen Sie den ON/OFF-Schalter in die Position ON (I).
2. Stellen Sie sicher, dass die Anzeige für die Steuerspannung aufleuchtet.
3. Drehen Sie den ON/OFF-Schalter in die Position OFF (0).
4. Stellen Sie sicher, dass die Anzeige für die Steuerspannung erlischt.

Sicherheitshinweise für die Wartung



WARNUNG: Lesen Sie die folgenden Warnhinweise, bevor Sie das Gerät verwenden.

- Führen Sie nur Wartungsarbeiten durch, die gemäß dieser Betriebsanleitung vorgegeben sind. Lassen Sie alle anderen Wartungsarbeiten von einer autorisierten Servicewerkstatt durchführen.
- Wenn die Wartung nicht ordnungsgemäß und regelmäßig erfolgt, erhöhen sich die Verletzungsgefahr und das Risiko für eine Beschädigung des Geräts.
- Reinigen Sie das Gerät, und entfernen Sie gefährliches Material vor der Wartung.
- Führen Sie die Wartung des Geräts auf einem stabilen, ebenen Untergrund durch. Sorgen Sie dafür, dass sich das Gerät nicht bewegen kann.
- Nehmen Sie keine Modifikationen am Gerät vor. Veränderungen am Gerät, die vom Hersteller nicht genehmigt wurden, können zu schweren Verletzungen oder zum Tod führen.
- Ersetzen Sie beschädigte, verschlissene oder defekte Teile.
- Reinigen Sie das Gerät nicht mit einem Hochdruckreiniger.
- Verwenden Sie nur fusselfreie Reinigungstücher.
- Verwenden Sie immer Originalersatzteile und Originalzubehör. Zubehör und Ersatzteile, die vom Hersteller nicht genehmigt wurden, können zu schweren Verletzungen oder zum Tod führen.
- Führen Sie nach der Wartung eine Überprüfung des Vibrationswerts im Gerät durch. Wenn er nicht korrekt ist, wenden Sie sich an eine autorisierte Servicewerkstatt.
- Lassen Sie das Gerät regelmäßig von einer autorisierten Servicewerkstatt warten.

Installation

Einleitung



WARNUNG: Lesen Sie vor der Installation des Geräts das Kapitel über Sicherheit, und machen Sie sich damit vertraut.



WARNUNG: Tragen Sie immer eine persönliche Schutzausrüstung. Siehe *Persönliche Schutzausrüstung auf Seite 26*.



WARNUNG: Personen, die sich auf einem Tank oder über Bodenhöhe befinden, müssen durch ein Absturzsicherungssystem mit Seilen gesichert werden. Befolgen Sie die vor Ort gültigen Vorschriften.



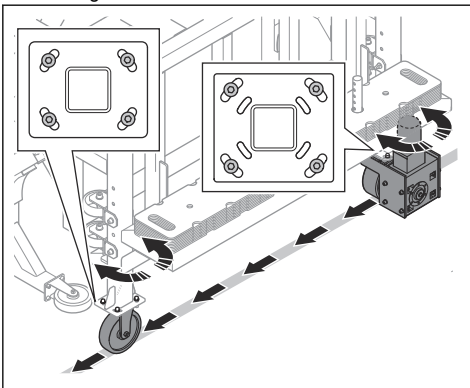
WARNUNG: Prüfen Sie, ob die Stahldrahtseile sauber und unbeschädigt sind. Stellen Sie sicher, dass die Zertifikate für die Stahldrahtseile, das Rigging-System und die Windenmotoren gültig sind.



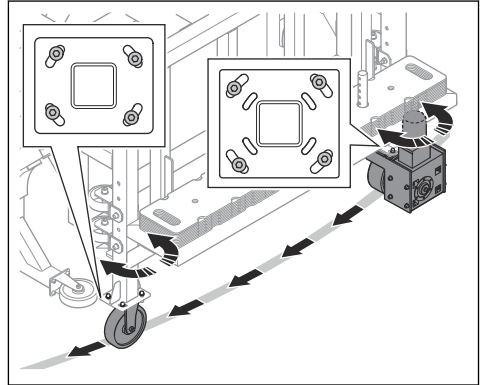
WARNUNG: Wenn die Bediener das Gerät montiert haben, müssen sie sich auf Bodenhöhe begeben und einen sicheren Abstand zum Gerät einhalten.

So stellen Sie die Antriebsräder auf den Durchmesser des Lagertanks ein

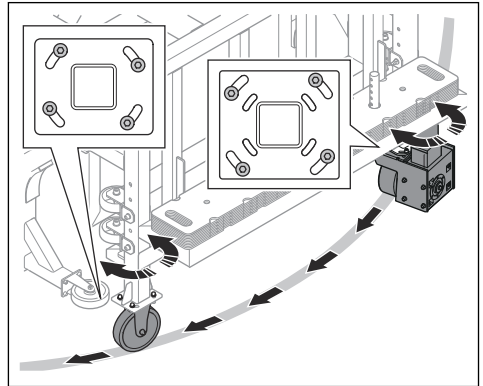
- Wenn der Durchmesser des Lagertanks größer als 25 m ist, bringen Sie die Antriebsräder in die gerade Stellung.



- Wenn der Durchmesser des Lagertanks 15 bis 25 m beträgt, bringen Sie die Antriebsräder in die mittlere Stellung.



- Wenn der Durchmesser des Lagertanks kleiner als 15 m ist, bringen Sie die Antriebsräder in die maximal gedrehte Stellung.

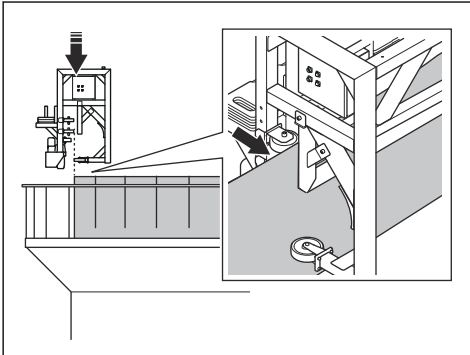


So befestigen Sie das Gerät an einem Lagertank

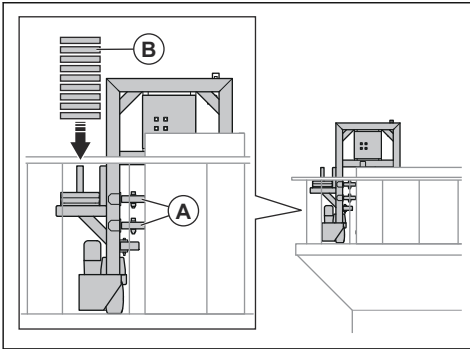


WARNUNG: Halten Sie sich nicht unter dem Gerät auf, wenn Sie es montieren.

1. Heben Sie das Gerät auf das Dach des Lagertanks. Verwenden Sie eine geeignete Hubvorrichtung. Siehe *So heben Sie das Gerät an auf Seite 37*.

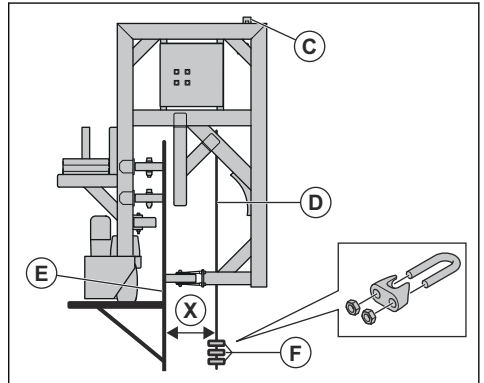


2. Montieren Sie die 4 Stützräder (A). Verwenden Sie 1 M16x150-Schraube, 2 M16-Unterlegscheiben und eine M16-Sicherungsmutter, um jedes Stützrad zu montieren.



3. Montieren Sie Gegengewichte (B) am Produkt. Siehe *Hinzufügen und Entfernen von Gegengewichten auf Seite 30*.
4. Setzen Sie die 2 Stahldrahtseile für die Kugelstrahlmaschine EBE 900 V in die 2 Aufhängungen (C) für die Stahldrahtseile ein.

5. Stellen Sie die 2 Aufhängungen für die Stahldrahtseile auf die richtige Position an den horizontalen Rahmenstangen ein. Die korrekte Position ist erreicht, wenn der Abstand (X) zwischen dem Stahldrahtseil (D) und der Wand (E) des Lagertanks 349 mm beträgt. Verwenden Sie 2 M20x180-Schrauben, 4 M20-Unterlegscheiben und 2 M20-Sicherungsmuttern.



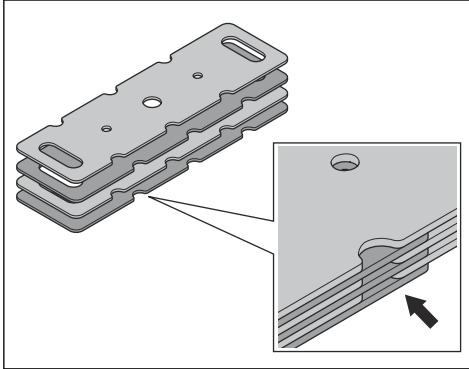
6. Bringen Sie die 6 Klemmen (F) auf der erforderlichen Höhe an den 2 Stahldrahtseilen an. Die Klemmen rasten am Endschalter an der Kugelstrahlmaschine EBE 900 V ein.
7. Stellen Sie die Antriebsräder auf den Radius des Lagertanks ein. Siehe *So stellen Sie die Antriebsräder auf den Durchmesser des Lagertanks ein auf Seite 29*.

Hinzufügen und Entfernen von Gegengewichten

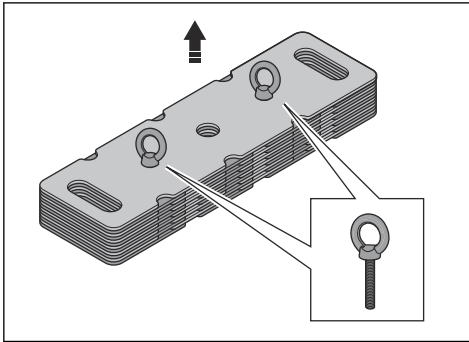


ACHTUNG: Verwenden Sie nicht zu viele Gegengewichte. Das maximal zulässige Gesamtgegengewicht beträgt 600 kg. Dies entspricht 30 Gegengewichten.

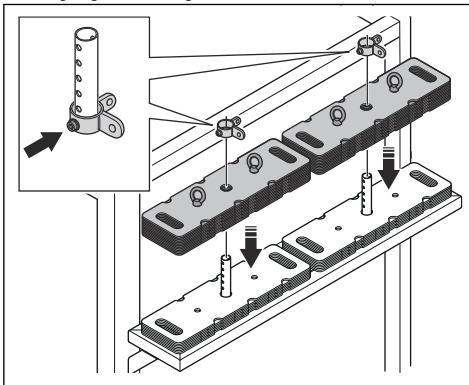
1. Setzen Sie 12 Gegengewichte in entgegengesetzter Richtung ein. Dies erleichtert das Entfernen der Gegengewichte mit einem Schraubenzieher.



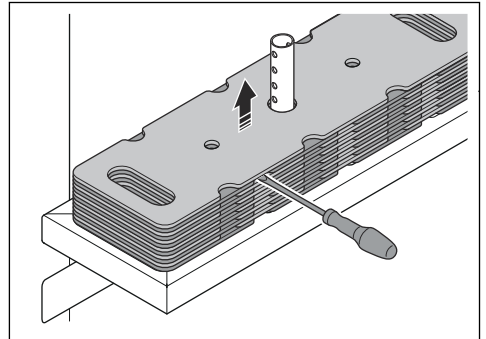
2. Befestigen Sie die Hebeösen an den Gegengewichten. Die Länge der Schrauben an den Hebeösen reicht aus, um 12 Gegengewichte gleichzeitig anzuheben.



3. Setzen Sie die Gegengewichte auf den Gegengewichtsträger am Gerät. Verwenden Sie die 4 Hebeösen, wenn Sie die Gegengewichte auf den Gegengewichtsträger heben.



4. Installieren Sie die Klemmringe und ziehen Sie die Stellschrauben an.
5. Entfernen Sie die Hebeösen.
6. Führen Sie zum Entfernen eines Gegengewichts die folgenden Schritte aus.
 - a) Entfernen Sie die Klemmringe.
 - b) Heben Sie das Gegengewicht mit einem flachen Schraubenzieher leicht an, bevor Sie es entfernen.



Betrieb

Einleitung



WARNUNG: Lesen Sie vor Gebrauch des Geräts das Kapitel über Sicherheit, und machen Sie sich damit vertraut.



WARNUNG: Stellen Sie sicher, dass die 6 Klemmen an den Stahldrahtseilen festgezogen sind.

Bevor Sie das Gerät bedienen

1. Lesen Sie die Bedienungsanleitung für dieses Gerät, die Kugelstrahlmaschine EBE 900 V und den Staubabscheider, sorgfältig durch und vergewissern Sie sich, dass Sie die Anweisungen verstanden haben.
2. Wenn ein Generator als Stromquelle für das Gerät verwendet wird, machen Sie sich mit der Bedienungsanleitung des Generators vertraut.
3. Tragen Sie eine persönliche Schutzausrüstung. Siehe *Persönliche Schutzausrüstung auf Seite 26*.
4. Unterziehen Sie das Gerät einer Sichtprüfung. Siehe *So führen Sie eine Sichtprüfung durch auf Seite 32*.
5. Stellen Sie sicher, dass das Gerät korrekt zusammengebaut und unbeschädigt ist.
6. Stellen Sie sicher, dass alle Bolzen, Schrauben und Muttern fest angezogen sind.
7. Warten Sie das Gerät täglich. Siehe *Wartungsplan auf Seite 35*.
8. Befestigen Sie das Gerät am Lagertank. Siehe *So befestigen Sie das Gerät an einem Lagertank auf Seite 29*.
9. Stellen Sie sicher, dass sich nur befugte Personen im Arbeitsbereich befinden.
10. Stellen Sie sicher, dass sich der ON/OFF-Schalter in der Position OFF befindet, bevor Sie das Gerät an das Netzteil anschließen.
11. Schließen Sie das Gerät an eine Stromquelle an. Siehe *So schließen Sie das Gerät an die Stromversorgung an auf Seite 33*.

So führen Sie eine Sichtprüfung durch



WARNUNG: Verwenden Sie das Gerät nicht, wenn die Sichtprüfung Anzeichen von Beschädigung oder Verschleiß ergibt. Wenn Sie sich nicht sicher über den Zustand des Geräts oder der Hubvorrichtung sind, wenden Sie sich zur weiteren Inspektion an eine Fachkraft.



WARNUNG: Salzwasser beschleunigt den Korrosionsprozess.

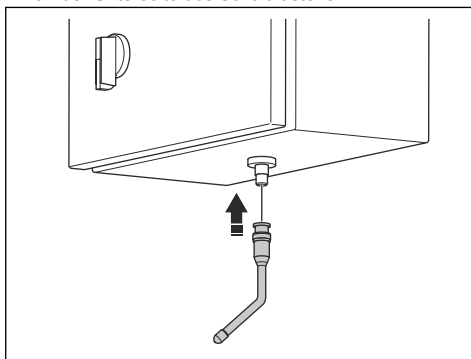


WARNUNG: Sand, Betonstaub und andere Partikel beschleunigen den Verschleißprozess.

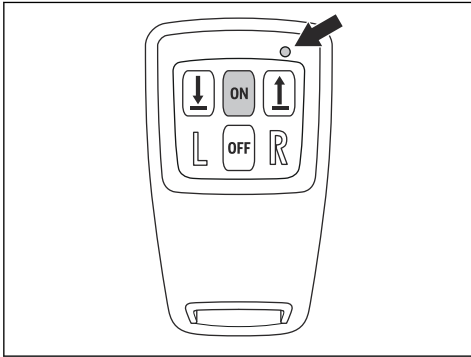
- Untersuchen Sie das Gerät auf Verschleiß und Schäden.
- Stellen Sie sicher, dass das Gerät nicht verformt ist. Verformung verringert die Materialfestigkeit.
- Untersuchen Sie das Gerät auf Korrosion.
- Stellen Sie sicher, sich kein Eis auf dem Gerät befindet.
- Stellen Sie sicher, dass keine Schrauben oder Muttern locker sind.
- Stellen Sie sicher, dass keine Lager oder Räder verschlissen sind.
- Untersuchen Sie alle geschweißten Verbindungen auf Risse.
- Stellen Sie sicher, dass alle Etiketten vorhanden und lesbar sind.
- Untersuchen Sie die Stahldrahtseile auf Verschleiß und Schäden. Weitere Informationen finden Sie in der Bedienungsanleitung für die Kugelstrahlmaschine EBE 900 V.
- Stellen Sie sicher, dass die Hebevorrichtung keine Risse, Kerben, Rillen, Korrosion oder Verfärbung durch Hitze aufweist.

So verbinden Sie die Fernbedienung mit dem Gerät

1. Installieren Sie die Antenne für die Fernbedienung an der Unterseite des Schaltkastens.



- Drücken Sie die ON-Taste 3 Sekunden lang. Die LED blinkt während des Startvorgangs grün. Wenn die LED langsam grün blinkt, ist der Kopplungsvorgang abgeschlossen.

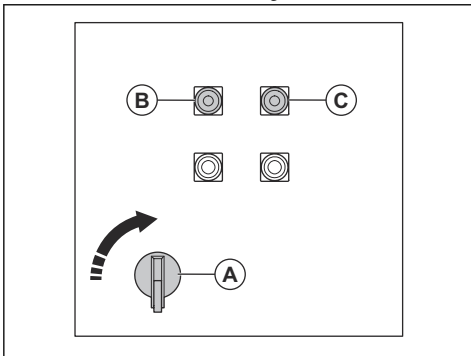


So schließen Sie das Gerät an die Stromversorgung an

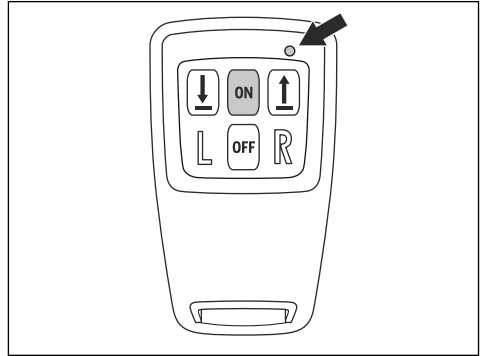
- Schließen Sie den Netzstecker des Geräts an eine geerdete Steckdose oder eine andere Stromquelle an.
- Vergewissern Sie sich, dass die Netzspannung mit der auf dem Typenschild des Geräts angegebenen Spannung übereinstimmt.

So starten Sie das Gerät

- Schließen Sie das Gerät an eine Stromquelle an. Siehe *So schließen Sie das Gerät an die Stromversorgung an auf Seite 33*.
- Drehen Sie den ON/OFF-Schalter (A) in die Stellung ON. Die grüne Anzeige für die Steuerspannung (B) leuchtet auf. Wenn die rote Anzeige für einen Phasenfolgefehler (C) aufleuchtet, muss die Phasenfolge im Netzstecker geändert werden. Siehe *So ändern Sie die Phasenfolge auf Seite 33*.

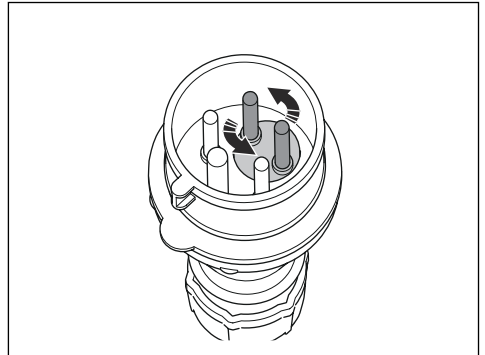


- Drücken Sie die ON-Taste auf der Fernbedienung, um diese zu starten. Die LED blinkt grün.



So ändern Sie die Phasenfolge

- Drehen Sie den EIN/AUS-Schalter in die Stellung OFF.
- Trennen Sie den Netzstecker vom Netzteil.
- Drehen Sie die Steckverbinder im Netzstecker, um die Phasenfolge zu ändern.



So steuern Sie das Gerät mit der Fernbedienung

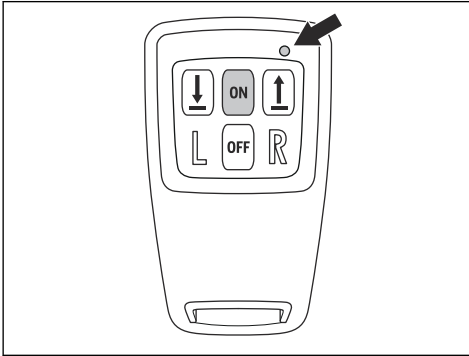
Hinweis: Die Fernbedienung wird nach einer gewissen Zeit automatisch abgeschaltet, wenn sie nicht verwendet wird.



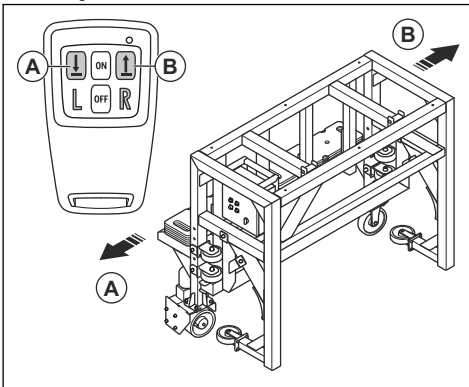
WARNUNG: Betreiben Sie das Gerät nicht über das Netzkabel.

- Starten Sie das Gerät. Siehe *So starten Sie das Gerät auf Seite 33*.
- Verbinden Sie die Fernbedienung mit dem Gerät. Siehe *So verbinden Sie die Fernbedienung mit dem Gerät auf Seite 32*.

3. Drücken Sie die ON-Taste auf der Fernbedienung, um diese zu starten. Die LED blinkt grün.



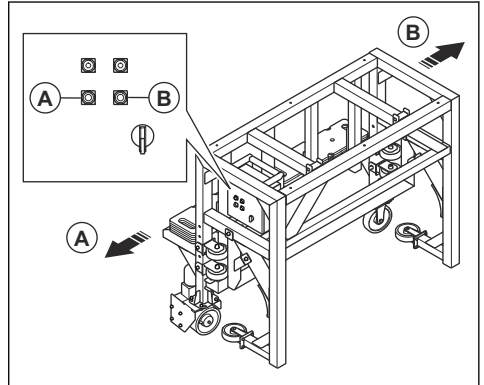
4. Mit den Tasten „Nach links“ und „Nach rechts“ bewegen Sie das Gerät nach links oder rechts.



So bedienen Sie das Gerät über das Bedienfeld

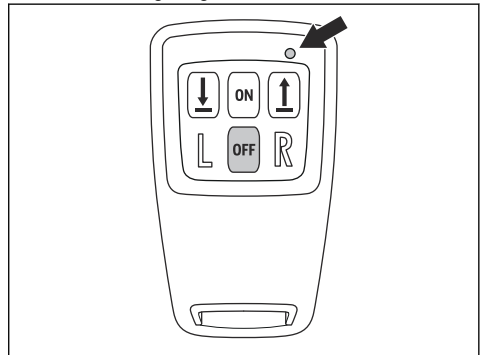
1. Starten Sie das Gerät. Siehe *So starten Sie das Gerät auf Seite 33.*

2. Mit der Taste „Nach links“ (A) bewegen Sie das Gerät nach links, und mit der Taste „Nach rechts“ (B) bewegen Sie das Gerät nach rechts.

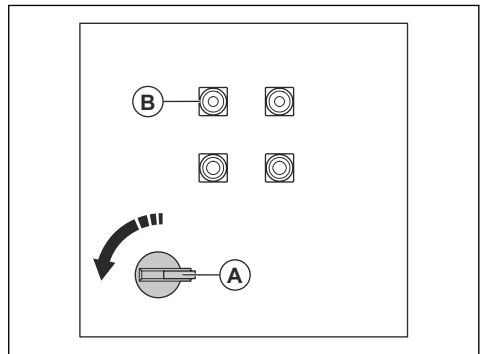


So stoppen Sie das Gerät

1. Halten Sie die OFF-Taste 3 Sekunden lang gedrückt. Die LED blinkt rot, bevor die Fernbedienung ausgeschaltet wird.



2. Drehen Sie den ON/OFF-Schalter (A) in die Stellung OFF. Die grüne Anzeige für die Steuerspannung (B) erlischt.



3. Trennen Sie das Gerät von der Stromversorgung.

Wartung

Einleitung

Untergrund durch. Sorgen Sie dafür, dass sich das Gerät nicht bewegen kann.



WARNUNG: Bevor Sie eine Wartung durchführen, müssen Sie das Kapitel über die Sicherheit lesen und verstehen.



WARNUNG: Verwenden Sie bei Service und Wartung persönliche Schutzausrüstung. Siehe *Persönliche Schutzausrüstung auf Seite 26*.



WARNUNG: Bevor Sie die Wartung durchführen, stoppen Sie den Motor und trennen den Netzstecker von der Stromversorgung. Stellen Sie sicher, dass alle Antriebe zum Stillstand kommen und das Gerät abkühlen kann.



WARNUNG: Führen Sie die Wartung des Geräts auf einem stabilen, ebenen

Für alle Wartungs- und Reparaturarbeiten am Gerät ist eine spezielle Schulung erforderlich. Wir garantieren die Verfügbarkeit von professionellen Reparaturen und Wartungsarbeiten. Wenn Ihr Händler keine Servicewerkstatt ist, sprechen Sie mit ihm, um Informationen über die nächste Servicewerkstatt zu erhalten.

Genauere Informationen finden Sie unter www.husqvarnaconstruction.com.

Wartungsplan

* = Allgemeine Wartung durch den Bediener. Diese Anweisungen sind nicht in dieser Bedienungsanleitung enthalten.

X = Diese Anweisungen sind in dieser Bedienungsanleitung enthalten.

O = Diese Anweisungen sind nicht in dieser Bedienungsanleitung enthalten. Lassen Sie die Wartung von einer zugelassenen Servicewerkstatt durchführen.

Allgemeine Gerätewartung	Alle 50 Betriebsstunden	Täglich	Jährlich
Sicherstellen, dass alle Muttern und Schrauben fest angezogen sind. Dies auch 12 Stdn. nach Wartungs- und Reparaturarbeiten durchführen.		*	
Die elektrischen Bauteile, Kabel und Anschlüsse auf Verschleiß und Beschädigung überprüfen.		*	
Den Elektromotor auf Verschleiß und Beschädigung überprüfen.		*	
Die inneren Teile des Schaltkastens reinigen.		*	
Überprüfen Sie den FI-Schalter.		*	
Die Fernbedienung warten. Weitere Informationen finden Sie in der Betriebsanleitung des Herstellers.	*	*	*
Den LüftungsfILTER des Schaltkastens austauschen.	*		
Den Antriebsmotor und die Stützräder überprüfen.	*		
Eine Sichtprüfung des Geräts und der Hebevorrichtung durchführen.		X	
Das Gerät reinigen.		X	
Führen Sie eine Überprüfung der Sicherheitsvorrichtungen am Gerät durch.		X	
Eine vollständige Wartung und Reinigung des Geräts durchführen.			O

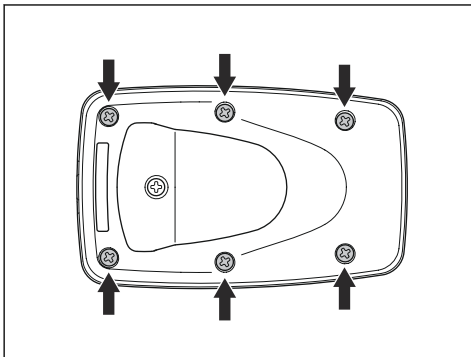
Allgemeine Gerätewartung	Alle 50 Betriebsstunden	Täglich	Jährlich
Eine autorisierte Person eine Inspektion des Geräts und der Sicherheitsvorrichtungen am Gerät durchführen lassen.			O
Die Stahldrahtseile schmieren.		X	

So reinigen Sie das Gerät

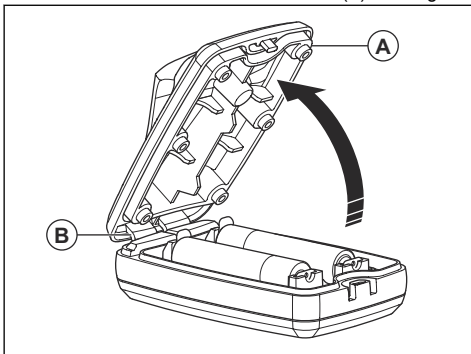
- Reinigen Sie immer die gesamte Ausstattung nach dem Gebrauch. Verwenden Sie einen Staubsauger.
- Reinigen Sie das Gerät nicht mit einem Hochdruckreiniger.
- Halten Sie die Luftöffnungen sauber und frei, um sicherzustellen, dass das Gerät immer eine ausreichend kühle Temperatur hat.

So tauschen Sie die Batterien in der Fernbedienung aus

1. Entfernen Sie die 6 Schrauben.



2. Heben Sie die Oberseite (A) der Batterieabdeckung hoch und entfernen Sie sie. Die Batterieabdeckung ist mit Scharnieren an der Unterseite (B) befestigt.



3. Tauschen Sie die Batterien aus. Den richtigen Batterietyp finden Sie unter *Technische Daten auf Seite 39*.
4. Rasten Sie die Scharniere an der Unterseite der Batterieabdeckung ein und drücken Sie die Oberseite der Batterieabdeckung nach unten.
5. Setzen Sie die 6 Schrauben ein und ziehen Sie sie mit 1 Nm fest.

Zum Schmieren der Stahldrahtseile



ACHTUNG: Schmieren Sie die Stahldrahtseile nicht mit Schmiermitteln, die Molybdändisulfid (MoS₂) oder PTFE enthalten. Verwenden Sie ein Standard-Mehrzwecköl oder -fett.

1. Entfernen Sie die Stahldrahtseile vom Produkt. Stellen Sie sicher, dass Sie die Stahldrahtseile auf einer sauberen Fläche ablegen.
2. Reinigen Sie die Stahldrahtseile mit einem fusselfreien Tuch.
3. Schmieren Sie Stahldrahtseile

Fehlerbehebung

So setzen Sie das Gerät nach einem Betriebsfehler zurück

1. Bewegen Sie das Gerät nach unten oder auf eine Palette.
2. Stellen Sie den EIN/AUS-Schalter auf AUS.
3. Drücken Sie die AUS-Taste auf der Fernbedienung.
4. Warten Sie 15 Sekunden, stellen Sie dann den EIN-/AUS-Schalter auf EIN und starten Sie die Fernbedienung.

Fehlerbehebung für die Fernbedienung

Problem	Ursache	Lösung
Die LED leuchtet rot.	Die Batteriespannung ist niedrig.	Tauschen Sie die Batterien aus. Siehe <i>So tauschen Sie die Batterien in der Fernbedienung aus auf Seite 36.</i>
Die LED blinkt 3 Mal langsam rot.	Die Akkus sind leer.	Tauschen Sie die Batterien aus. Siehe <i>So tauschen Sie die Batterien in der Fernbedienung aus auf Seite 36.</i>
Die LED blinkt schnell rot.	Der Ausgang im Empfänger ist nicht in Betrieb der Empfänger gibt kein Signal.	Führen Sie einen Kopplungsvorgang durch. Siehe <i>So verbinden Sie die Fernbedienung mit dem Gerät auf Seite 32.</i>

Transport, Lagerung und Entsorgung

Transport



WARNUNG: Seien Sie beim Transport vorsichtig. Das Gerät ist schwer und kann Verletzungen oder Schäden verursachen, wenn es beim Transport umfällt oder sich bewegt.

- Stellen Sie sicher, dass Sie beim Heben des Geräts jederzeit freie Sicht auf das Gerät und den Arbeitsbereich haben.
- Statten Sie das Gerät während des Transports mit dem Schutz aus. Durch diesen Schutz werden Naturelemente wie Regen und Schnee vom Gerät ferngehalten.



ACHTUNG: Ziehen Sie das Gerät nicht mit einem Fahrzeug.

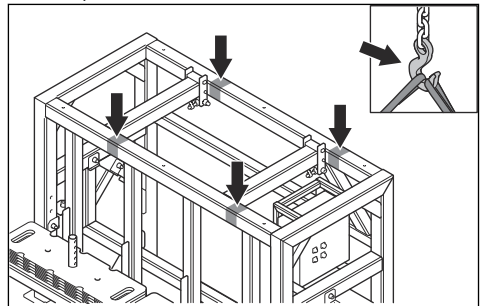
So heben Sie das Gerät an



WARNUNG: Heben Sie das Gerät lediglich mit einer Hubvorrichtung an.

- Stellen Sie vor dem Transport sicher, dass die Stromversorgung getrennt ist.
- Heben Sie das Gerät für den Transport an, oder platzieren Sie es auf einem Fahrzeug.
- Heben Sie ein Gerät nicht an, wenn es beschädigt ist. Vergewissern Sie sich, dass die Hebeösen richtig montiert und unbeschädigt sind.
- Verwenden Sie die niedrigste Stufe, wenn Sie das Gerät anheben.
- Die Kabel an der Hubvorrichtung müssen unter Spannung stehen, bevor Sie das Gerät vom Boden heben.
- Laufen bzw. stehen Sie nicht unterhalb oder in der Nähe eines hängenden Geräts. Halten Sie Unbeteiligte vom Arbeitsbereich fern.

- Befestigen Sie das Hebezeug an den 4 Hebepunkten am Gerät.



So befestigen Sie das Gerät auf einem Transportfahrzeug

Befestigen Sie das Gerät mit den Hebepunkten am Transportfahrzeug.

1. Befestigen Sie die Zurrgurte an den Hebepunkten.
2. Befestigen Sie die Zurrgurte am Transportfahrzeug und ziehen Sie sie fest.

Lagerung



ACHTUNG: Lagern Sie das Gerät nicht im Freien. Lagern Sie das Gerät immer in einem Gebäude.

- Lagern Sie das Gerät an einem trockenen und kühlen Ort mit ausreichender Belüftung.
- Lassen Sie das Gerät nicht auf dem Boden liegen, sondern lassen Sie es über dem Boden hängen.
- Reinigen Sie das Gerät und führen Sie umfassende Wartungsarbeiten durch, bevor Sie es längere Zeit einlagern.
- Stellen Sie sicher, dass sich keine Korrosion bildet, wenn Sie Stahldrahtseile, Ketten und andere Stahlhebergeräte für längere Zeit lagern.
- Bewahren Sie das Gerät in einem verschlossenen Bereich auf, um einen unerlaubten Zugriff durch Kinder oder andere Personen zu verhindern.

So entsorgen Sie das Gerät

- Befolgen Sie die örtlichen Recyclinganforderungen und geltenden Vorschriften.
- Wenn Sie das Gerät nicht mehr benutzen, senden Sie es an einen Husqvarna-Händler oder entsorgen Sie es bei einer Recyclingstelle.

Technische Daten

	RIGG 900 FI
Gewicht, ohne Gegengewicht, kg/lbs	580/1279
Gewicht inkl. max. Gegengewicht, kg/lbs	980/2161
Geräteabmessungen (L× B×H), mm/Zoll	2315 x 1330 x 1815/91 x 52 x 72
Nennspannung, V	400–460
Nennfrequenz, Hz	50/60
Elektrischer Anschluss	16 A, 5-polig
Leistungsaufnahme, Antriebsmotor, kW	0,18
Geschwindigkeit, m/min/ft/min	0–9/0–30
Maximale Arbeitslast, kg/lbs	1300/2866
Dynamiktestkoeffizient	1,1
Statischer Testkoeffizient	1,25
Schallpegel, dB(A)	< 70
Fernbedienung	
Akku-Typ	2 x AA/LR06 Alkali
Frequenzband, MHz	869
Kanaltrennung, kHz	25
Funktionale Empfindlichkeit	Besser als -107 dBm BER 10 ⁻⁴
Getriebeprinzip	GMSK, TDMA
IP-Klasse	IP67
Erlaubte Umgebungstemperatur, °C/°F	0–45/32–113
Lagertemperatur, °C/°F	-40–+85/-40–+185

Hinweis: Wenn für Ihr Gerät nicht in der Tabelle aufgeführte elektrische Spezifikationen erforderlich sind, wenden Sie sich an eine Husqvarna-Servicewerkstatt für weitere Informationen.

Konformitätserklärung für Geräusche und Vibrationen

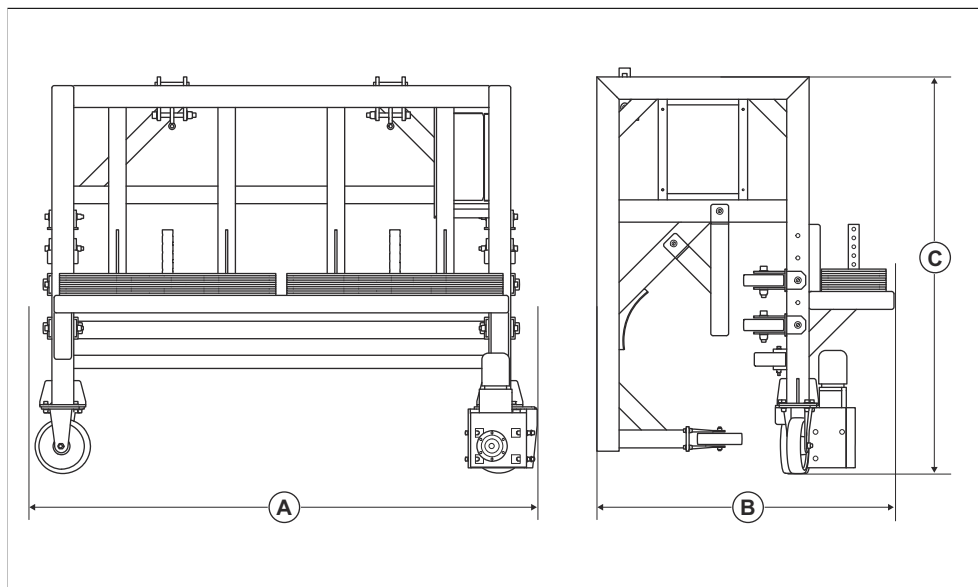
Diese erklärten Werte wurden in Laborversuchen in Übereinstimmung mit der aufgeführten Richtlinie oder Norm ermittelt und eignen sich für einen

Vergleich mit Wertdeklarationen anderer Produkte, die nach der gleichen Richtlinie bzw. Norm geprüft wurden. Diese Wertdeklarationen eignen sich nicht zur Verwendung in Risikobewertungen, zudem können die an einzelnen Arbeitsplätzen gemessenen Werte höher sein. Die tatsächlichen Belastungswerte und das Gefährdungsrisiko eines individuellen Benutzers sind immer spezifisch und davon abhängig, wie der Benutzer arbeitet, in welchem Material das Produkt eingesetzt wird, sowie von der Belastungszeit, dem Gesundheitszustand des Benutzers und dem Gerätezustand.

Verlängerungskabel

Kabellänge	Querschnitt			
	≤ 16 A	≤ 32 A	≤ 63 A	≤ 125 A
Berechnet bei einer Vorsicherung GG ² :	16 A	32 A	63 A	125 A
> 20m	1,5 mm ²	2,5 mm ²	10 mm ²	25 mm ²
20 m > 50 m	2,5 mm ²	4 mm ²	10 mm ²	25 mm ²
50m > 75m	4 mm ²	6 mm ²	16 mm ²	35 mm ²

Gerätemaße



A	Länge, mm/Zoll	2315/91
B	Breite, mm/Zoll	1330/52
D	Höhe, mm/Zoll	1814/72

² Die Querschnitte müssen neu berechnet werden, wenn andere Vorsicherungen verwendet werden als angegeben.

Konformitätserklärung

EU-Konformitätserklärung

Die Husqvarna AB, SE-561 82 Huskvarna, Schweden,
Tel.: +4636-146500, erklärt in alleiniger Verantwortung,
dass das Gerät:

Beschreibung	Rigging-System
Marke	Husqvarna
Typ/Modell	RIGG 900 FI
Identifizierung	Seriennummern ab 2024

die folgenden EU-Richtlinien und -Verordnungen erfüllt:

Richtlinie/Verordnung	Beschreibung
2006/42/EG	„Maschinenrichtlinie“
2014/53/EU	„zu Funkanlagen“

und dass die folgenden Normen und/oder technischen
Daten angewendet werden;

EN ISO 12100:2010

EN 60204-1:2018

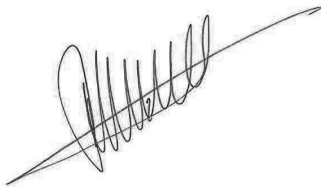
EN ESTI 300 220-1 v3.1.1

ETSI EN 300 220-2 V3.1.1

ETSI EN 301 489-1 V2.2.0

ETSI EN 301 489-3 V2.1.1

Soest, Netherland 2024



René van der Grint

Leiter CS&F INFRA, Produktkategorie Betonflächen und
-böden

Husqvarna AB, Construction Division

Verantwortlich für die technische Dokumentation,
erreichbar in Nieuwegracht 9, 3763 LP Soest,
Niederlande.



Sommaire

Introduction.....	42	Dépannage.....	56
Sécurité.....	45	Transport, entreposage et mise au rebut.....	57
Installation.....	48	Caractéristiques techniques.....	59
Utilisation.....	51	Déclaration de conformité.....	61
Entretien.....	54		

Introduction

Description du produit

Le produit est un système de rétention pour les réservoirs de stockage à toit flottant. Le produit doit uniquement être utilisé avec la grenailleuse EBE 900 V.

Utilisation prévue

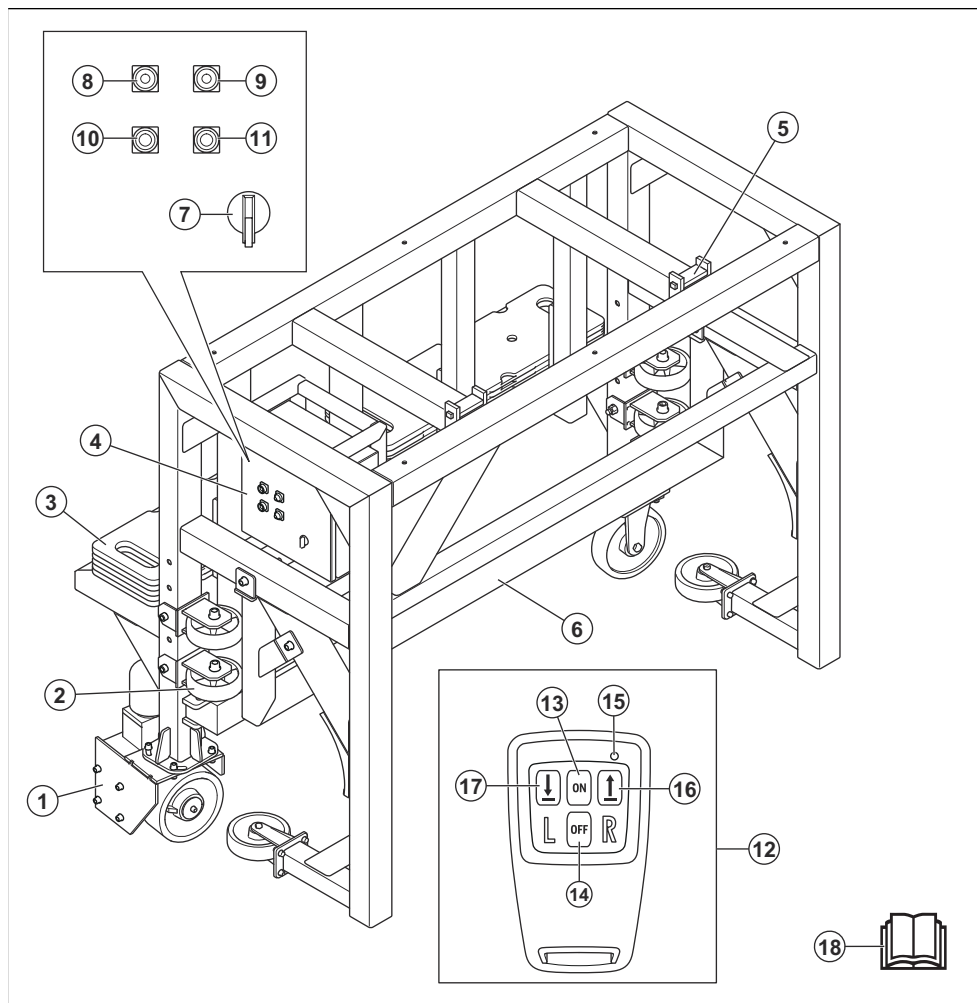
Le produit est utilisé pour déplacer la grenailleuse EBE 900 V de gauche à droite le long des parois verticales

en acier des réservoirs de stockage. Le produit peut être utilisé à l'aide d'une télécommande.

Le produit est conçu pour un usage commercial par des opérateurs professionnels.

N'utilisez pas ce produit pour d'autres travaux.

Aperçu du produit



1. Unité d'entraînement
2. Roues de support
3. Contrepoids
4. Boîtier électrique et panneau de commande
5. Suspensions pour câble en acier
6. Faisceau de sécurité
7. Interrupteur de marche/arrêt
8. Voyant vert de tension de commande
9. Voyant rouge d'échec de séquence de phase
10. Bouton de déplacement vers la gauche
11. Bouton de déplacement vers la droite
12. Télécommande

13. Bouton ON
14. Bouton OFF
15. LED
16. Bouton de déplacement vers la droite
17. Bouton de déplacement vers la gauche
18. Manuel d'utilisation

Symboles concernant le produit



Avvertimento : ce produit peut être dangereux et causer des blessures graves, voire mortelles, à l'opérateur ou

à d'autres personnes. Soyez prudent et utilisez le produit correctement.



haute tension.



Point de levage sur le produit.



Lisez avec attention le manuel d'utilisation et assurez-vous de bien comprendre les instructions avant d'utiliser ce produit.



Utilisez un casque de protection, des protège-oreilles, des protections pour les yeux et une protection respiratoire homologués.



Utilisez des gants de protection homologués.



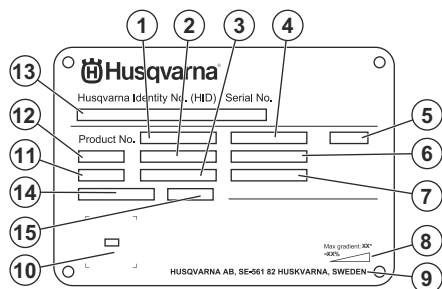
Utilisez des bottes de protection homologuées.



Ce produit est conforme aux directives de l'UE en vigueur.

Remarque: les autres symboles/autocollants présents sur le produit concernent des exigences de certification spécifiques à certains marchés.

Plaque signalétique



1. Référence de produit
2. Poids du produit
3. Puissance nominale
4. Tension nominale
5. Boîtier
6. Intensité nominale
7. Fréquence
8. Angle de pente maximal
9. fabricant
10. QR code
11. Année de production
12. Modèle
13. Numéro de série
14. Levage de la charge de travail
15. Valeur de levage de la charge de travail

Endommagement du produit

Nous ne sommes pas responsables des dommages subis par le produit si :

- le produit n'est pas correctement réparé ;
- le produit est réparé avec des pièces qui ne proviennent pas du fabricant ou qui ne sont pas homologuées par le fabricant ;
- le produit est équipé d'un accessoire qui ne provient pas du fabricant ou qui n'est pas homologué par le fabricant ;
- le produit n'est pas réparé par un centre d'entretien agréé ou par une autorité homologuée.

Sécurité

Définitions de sécurité

Des avertissements, des recommandations et des remarques sont utilisés pour souligner des parties spécialement importantes du manuel.



AVERTISSEMENT: Symbole utilisé en cas de risque de blessures ou de mort pour l'opérateur ou les personnes à proximité si les instructions du manuel ne sont pas respectées.



REMARQUE: Symbole utilisé en cas de risque de dommages pour le produit, d'autres matériaux ou les environs si les instructions du manuel ne sont pas respectées.

Remarque: Symbole utilisé pour donner des informations supplémentaires pour une situation donnée.

Instructions générales de sécurité



AVERTISSEMENT: lisez les instructions qui suivent avant d'utiliser le produit.

- Ce produit est un outil dangereux si vous ne faites pas attention ou si vous l'utilisez de manière incorrecte. Ce produit peut causer des blessures graves, voire mortelles, à l'opérateur ou à d'autres personnes. Avant d'utiliser le produit, il convient de lire attentivement et de bien comprendre les instructions contenues dans ce manuel de l'opérateur.
- Ce produit n'est pas destiné à être utilisé par des personnes (ou des enfants) aux capacités physiques, sensorielles ou mentales limitées ou manquant d'expérience et de connaissances.
- Conservez tous les avertissements de sécurité et toutes les instructions.
- Respectez l'ensemble des lois et réglementations applicables.
- L'opérateur et son employeur doivent connaître et éviter tout risque au cours de l'utilisation du produit.
- Ne laissez personne utiliser le produit avant d'avoir lu et compris le contenu du manuel de l'opérateur.
- N'utilisez pas le produit sauf si vous bénéficiez d'une formation préalable. Assurez-vous que tous les opérateurs suivent une formation.
- Ne laissez pas un enfant utiliser le produit.
- Seules les personnes autorisées peuvent utiliser le produit.

- L'utilisateur est tenu responsable des accidents auxquels il expose autrui ou ses biens.
- N'utilisez jamais l'appareil si vous êtes fatigué ou malade, ou si vous êtes sous l'emprise d'alcool, de drogues ou de médicaments.
- Soyez toujours prudent et utilisez votre bon sens.
- Maintenez le produit propre. Assurez-vous que vous pouvez lire clairement les avertissements et les autocollants.
- N'utilisez pas le produit s'il est endommagé ou s'il ne fonctionne pas correctement.
- Ne modifiez pas le produit.
- N'utilisez pas le produit s'il est susceptible d'avoir été modifié par d'autres personnes.

Instructions de sécurité pour le fonctionnement



AVERTISSEMENT: lisez les instructions qui suivent avant d'utiliser le produit.

- utilisez un équipement de protection individuelle. Reportez-vous à *Équipement de protection individuelle* à la page 46.
- N'utilisez pas le produit sans les caches de protection.
- N'utilisez pas le produit pour soulever des personnes ou d'autres objets que la grenailleuse .
- Restez derrière le produit en respectant une distance de sécurité et conservez une vue dégagée sur le produit lorsque vous l'utilisez.
- Ne restez pas sous le produit.
- N'utilisez pas le produit sur du bois.
- Assurez-vous que vous savez arrêter le produit rapidement en cas d'urgence.
- N'utilisez pas le produit par incréments trop petits. L'utilisation fréquente du produit par petits incréments peut endommager le produit.
- Avant de vous éloigner du produit, éteignez-le et débranchez le cordon d'alimentation. Assurez-vous qu'il n'y a aucun risque de démarrage accidentel.
- Assurez-vous que des vêtements, cheveux longs et bijoux ne peuvent pas se coincer dans les pièces en mouvement
- Veillez à vous tenir dans une position stable et sûre pendant l'utilisation du produit.
- Vérifiez l'absence de vis ou d'écrous desserrés.
- Utilisez uniquement des accessoires homologués. Pour plus d'informations, contactez votre revendeur Husqvarna.
- Vérifiez l'absence d'huile ou de graisse sur les poignées.

- Assurez-vous qu'il n'y a pas de glace sur le produit. La glace a un effet négatif sur le fonctionnement du produit et modifie la structure du matériau.
- Éloignez les substances chimiques du produit.
- Ne soudez rien sur le produit ou les câbles en acier.
- N'utilisez pas le produit s'il n'est pas possible d'appeler au secours en cas d'accident.
- N'utilisez pas le produit si vous ne pouvez pas être secouru en cas d'accident.
- Identifiez les éventuels personnes, objets et situations susceptibles de nuire à la sécurité du fonctionnement du produit.
- N'utilisez pas ce produit dans des zones présentant un risque d'incendie ou d'explosion. Le produit provoque des étincelles, et les matériaux inflammables peuvent s'enflammer en présence de poussière ou de fumées.
- Éloignez les animaux, les enfants et toute personne de la zone de travail et à une distance de sécurité du produit. La distance de sécurité est de 15 m/49 pi.

Équipement de protection individuelle



AVERTISSEMENT: lisez les instructions qui suivent avant d'utiliser le produit.

- Portez toujours un équipement de protection individuel homologué lorsque vous utilisez le produit. L'équipement de protection individuel ne protège pas complètement des blessures, mais il diminue la gravité des blessures en cas d'accident. Faites appel à votre revendeur pour vous aider à sélectionner l'équipement de protection individuel adéquat et vous indiquer quand l'utiliser.
- Vérifiez régulièrement l'état de votre équipement de protection individuel.
- Utilisez un casque de protection homologué.
- Utilisez des protège-oreilles homologués.
- portez une protection respiratoire homologuée.
- Utilisez des protections pour les yeux homologuées avec protections latérales.
- utilisez des gants de protection.
- Utilisez des bottes avec coquille en acier et semelles antidérapantes.
- Utilisez des vêtements de travail homologués ou des vêtements près du corps équivalents dotés de manches longues et d'un pantalon.

Extincteur

- Gardez un extincteur à proximité lors de l'utilisation du produit.
- Utilisez un extincteur à poudre ou un extincteur à gaz carbonique.

Sécurité dans la zone de travail



AVERTISSEMENT: lisez les instructions qui suivent avant d'utiliser le produit.

- Il incombe à l'opérateur d'analyser la surface à traiter. L'utilisateur doit effectuer une évaluation des risques sur la base des informations obtenues sur la surface à traiter et prendre les précautions appropriées pour le travail à effectuer.
- N'utilisez pas le produit en cas de brouillard, pluie, vents violents, risque de foudre ou autres conditions climatiques.

- Assurez-vous que seules les personnes autorisées se trouvent dans la zone de travail.
- Veillez à ce que la zone de travail reste propre et correctement éclairée. Les espaces encombrés ou sombres exposent à des accidents.
- Assurez-vous qu'aucun câble ou tuyau n'est présent dans le sens de marche du produit.
- Assurez-vous qu'il n'y a pas d'obstacles sur lesquels le produit ou la grenailleuse peut s'accrocher.
- Assurez-vous que les surfaces irrégulières, telles que les joints soudés ou les joints au sol, n'arrêtent pas le produit.
- Assurez-vous qu'il y ait une circulation d'air suffisante dans la zone de travail.
- Les opérateurs qui ne restent pas au niveau du sol lors de l'assemblage du produit doivent être certifiés pour travailler en hauteur et utiliser un système de protection antichute.
- Veillez à bien connaître la charge de travail maximale de la construction qui soutiendra le système de rétention et le produit.

Sécurité électrique



AVERTISSEMENT: les produits électriques présentent toujours un risque d'électrocution. N'utilisez pas le produit dans de mauvaises conditions météorologiques. Ne touchez pas de paratonnerres ni d'objets métalliques. Utilisez toujours le produit comme indiqué dans ce manuel d'utilisation pour éviter les blessures.



AVERTISSEMENT: utilisez toujours une alimentation électrique avec RCD (disjoncteur différentiel de fuite à la terre). L'utilisation d'un RCD permet de réduire le risque de choc électrique.



AVERTISSEMENT: haute tension. Il y a des pièces non protégées dans l'unité électrique. Débranchez toujours le produit de la fiche d'alimentation avant d'ouvrir la porte du boîtier électrique.



REMARQUE: l'alimentation électrique du produit ou du générateur doit être suffisamment puissante, et constante pour que les moteurs électriques puissent fonctionner sans problème. Une tension incorrecte provoque l'augmentation de la consommation d'énergie et de la température du moteur jusqu'au déclenchement du circuit de sécurité. Les dimensions du cordon d'alimentation doivent être conformes aux réglementations nationales et locales. Les dimensions de la prise de courant murale doivent être conformes à l'ampérage de la prise électrique et du câble de rallonge du produit.

Si la résistance du secteur est plus élevée, de brèves chutes de tension peuvent se produire au démarrage du produit. Cela peut affecter le fonctionnement d'autres produits ; les lampes peuvent par exemple vaciller.

- La fiche d'alimentation doit être adaptée à la prise. N'apportez jamais de modifications à la fiche. N'utilisez pas de fiches d'adaptation avec des outils mis à la terre (masse). Des fiches non modifiées et des prises compatibles réduiront le risque d'électrocution.
- Évitez tout contact physique avec les surfaces mises à la terre telles que les tuyaux, les radiateurs, les cuisinières et les réfrigérateurs. Le risque d'électrocution est plus important si le corps est relié à la terre.
- Assurez-vous que la tension d'alimentation, des fusibles et du secteur est identique à celle indiquée sur la plaque signalétique du produit.
- Arrêtez toujours le produit avant de débrancher la fiche d'alimentation.
- Débranchez toujours l'alimentation électrique avant d'ouvrir le boîtier électrique.
- Assurez-vous que l'interrupteur Marche/Arrêt est en position d'arrêt avant de brancher le produit sur l'alimentation électrique.
- Débranchez toujours la fiche d'alimentation en cas d'arrêt prolongé du produit.
- N'utilisez pas le produit si le cordon d'alimentation ou la fiche d'alimentation sont endommagés. Faites réparer le produit par un centre d'entretien agréé. Un cordon d'alimentation endommagé peut provoquer des blessures graves, voire mortelles.
- Utilisez le cordon d'alimentation correctement. N'utilisez pas le cordon d'alimentation pour déplacer, tirer ou débrancher le produit. Tirez sur la fiche d'alimentation pour débrancher le câble d'alimentation. Ne tirez pas le cordon d'alimentation.
- Utilisez uniquement le produit sur des surfaces sèches.
- Tenez le produit à l'abri de la pluie. L'eau qui s'infiltré dans le produit augmente le risque d'électrocution.

- Débranchez toujours de cordon d'alimentation avant de brancher ou débrancher la connexion du câble du moteur et du boîtier électrique.
- Afin d'éviter tout danger dû à une réinitialisation accidentelle du disjoncteur thermique, cet appareil ne doit pas être alimenté par un dispositif de commutation externe, tel qu'une minuterie, ou connecté à un circuit régulièrement mis sous et hors tension par le fournisseur d'électricité.
- Assurez-vous que l'alimentation électrique du produit est fournie par des unités d'alimentation électrique distinctes qui sont utilisées à des fins industrielles uniquement.

Instructions pour produit mis à la terre



AVERTISSEMENT: un mauvais branchement peut provoquer un choc électrique. Consultez un électricien agréé si vous n'êtes pas certain que votre prise secteur soit correctement mise à la terre.

Ne modifiez pas la prise de courant par rapport à ses spécifications d'usine. Si la fiche ou le cordon d'alimentation est endommagé ou doit être remplacé, contactez votre atelier spécialisé Husqvarna. Respectez la législation et les réglementations locales.

Si vous n'avez pas bien compris les instructions de mise à la terre du produit, consultez un électricien homologué.

Utilisez uniquement des rallonges extérieures mises à la terre avec des fiches de mise à la terre et une prise de mise à la terre acceptant la fiche d'alimentation du produit.

Le produit est équipé d'un cordon d'alimentation de mise à la terre et d'une prise de courant. Branchez systématiquement le produit sur une prise secteur mise à la terre. Cela réduit le risque de choc électrique.

N'utilisez pas d'adaptateurs électriques avec le produit.

Rallonges

- Utilisez uniquement des rallonges homologuées avec des propriétés adéquates.
- La valeur nominale sur la rallonge doit être identique ou supérieure à celle indiquée sur la plaque signalétique du produit.
- Utilisez des rallonges mises à la terre.
- Lorsque vous utilisez l'outil à l'extérieur, utilisez une rallonge adaptée à un usage extérieur. Cela réduit le risque de choc électrique.
- Maintenez la connexion de la rallonge au sec et au-dessus du sol.
- Maintenez la rallonge à l'écart de la chaleur, d'huile, des bords tranchants ou des pièces mobiles. Un

câble endommagé augmente le risque de choc électrique.

- Assurez-vous que la rallonge est en bon état et non endommagée.
- N'utilisez pas la rallonge lorsqu'elle est enroulée. Cela peut entraîner une surchauffe de la rallonge.
- Assurez-vous que la rallonge se trouve en dehors du passage et du produit pendant le fonctionnement. Cela empêche toute dégradation de la rallonge.

4. Assurez-vous que le témoin de tension de commande s'éteint.

Instructions de sécurité pour l'entretien



AVERTISSEMENT: lisez les instructions qui suivent avant d'utiliser le produit.

- Effectuez uniquement les tâches d'entretien décrites dans le présent manuel d'utilisation. Laissez un atelier spécialisé agréé se charger de toutes les autres opérations d'entretien.
- Si l'entretien n'est pas effectué correctement et régulièrement, le risque de blessures et d'endommagement du produit augmente.
- Nettoyez le produit afin de retirer tout matériau dangereux avant de faire l'entretien.
- Effectuez l'entretien du produit sur un sol de niveau et stable. Assurez-vous que le produit ne peut pas bouger.
- Ne modifiez pas le produit. Les modifications apportées au produit qui ne sont pas approuvées par le fabricant peuvent causer des blessures graves, voire mortelles.
- Remplacez les pièces endommagées, usées ou cassées.
- N'utilisez pas de nettoyeur haute pression pour nettoyer le produit.
- Utilisez uniquement des chiffons non pelucheux.
- Utilisez toujours les accessoires et les pièces de rechange d'origine. Les accessoires et les pièces de rechange qui ne sont pas approuvés par le fabricant peuvent causer des blessures graves, voire mortelles.
- Après l'entretien, contrôlez le niveau de vibrations dans le produit. S'il n'est pas correct, contactez un atelier spécialisé agréé.
- Demandez à un atelier spécialisé d'effectuer régulièrement l'entretien du produit.

Dispositifs de sécurité sur le produit



AVERTISSEMENT: lisez les instructions qui suivent avant d'utiliser le produit.

- N'utilisez pas un produit dont les dispositifs de sécurité sont endommagés ou ne fonctionnent pas correctement.
- Contrôlez les dispositifs de sécurité régulièrement. Si les dispositifs de sécurité sont endommagés ou ne fonctionnent pas correctement, contactez votre atelier spécialisé Husqvarna.
- N'apportez pas de modifications aux dispositifs de sécurité.

Interrupteur de marche/arrêt

L'interrupteur Marche/Arrêt permet d'activer ou de couper l'alimentation électrique du produit.

Pour contrôler l'interrupteur Marche/Arrêt

Reportez-vous à *Aperçu du produit à la page 43* pour connaître l'emplacement de l'interrupteur Marche/Arrêt sur votre produit.

1. Tournez l'interrupteur ON/OFF en position ON (I).
2. Assurez-vous que le témoin de tension de commande s'allume.
3. Tournez l'interrupteur ON/OFF en position OFF (0).

Installation

Introduction



AVERTISSEMENT: Assurez-vous de lire et de comprendre le chapitre dédié à la sécurité avant d'installer le produit.



AVERTISSEMENT: portez toujours un équipement de protection individuel. Reportez-vous à *Équipement de protection individuelle à la page 46*.



AVERTISSEMENT: les personnes qui se trouvent en haut d'un réservoir

ou au-dessus du niveau du sol doivent être sécurisées par la ligne de vie d'un système de protection antichute. Respectez les réglementations en vigueur.



AVERTISSEMENT: vérifiez que les câbles en acier sont propres et intacts. Assurez-vous que les certificats des câbles en acier, du système de rétention et des moteurs de treuil sont valides.



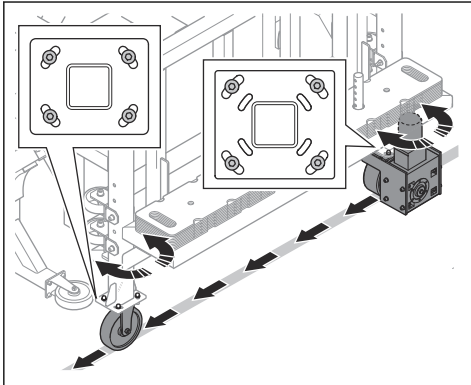
AVERTISSEMENT: une fois que les opérateurs ont assemblé le produit, ils doivent descendre au niveau du sol et

s'éloigner à une distance de sécurité du produit.

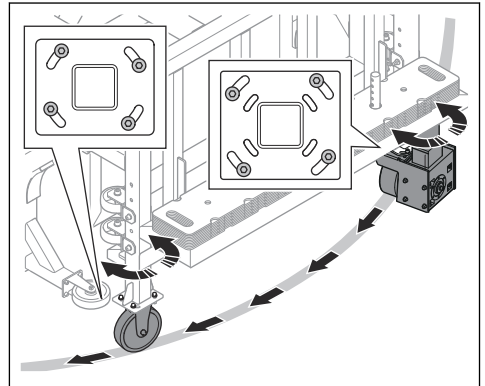
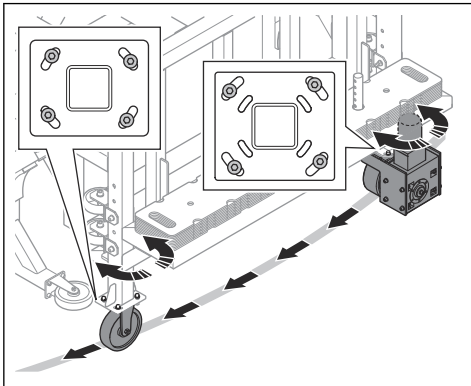
- Si le diamètre du réservoir de stockage est inférieur à 15 m, placez les roues motrices en position de rotation maximale.

Réglage des roues motrices au diamètre du réservoir de stockage

- Si le diamètre du réservoir de stockage est supérieur à 25 m, placez les roues motrices en position droite.



- Si le diamètre du réservoir de stockage est compris entre 15 et 25 m, placez les roues motrices en position centrale.

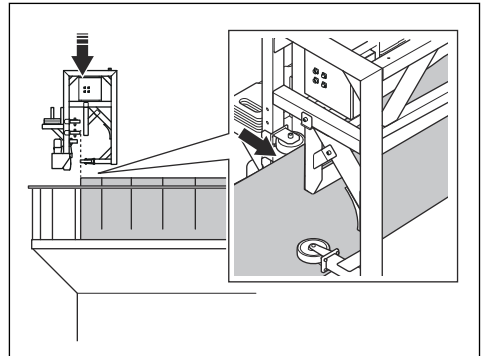


Installation du produit sur un réservoir de stockage

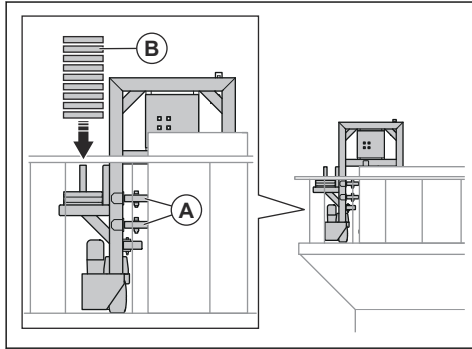


AVERTISSEMENT: ne restez pas en dessous du produit lorsque vous l'installez.

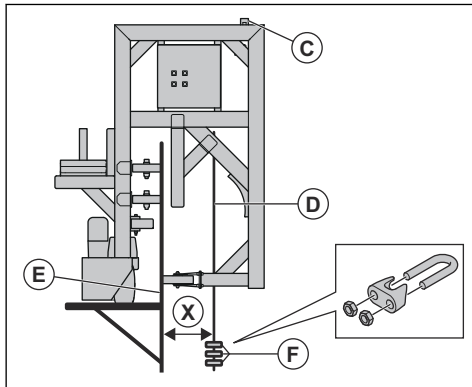
1. Soulevez le produit sur le toit du réservoir de stockage. Utilisez un équipement de levage adapté. Reportez-vous à *Levage du produit* à la page 57.



2. Installez les 4 roues de support (A). Utilisez 1 boulon M16x150, 2 rondelles M16 et 1 contre-écrou M16 pour installer chaque roue de support.



3. Ajoutez des contreponds (B) au produit. Reportez-vous à *Ajout et retrait des contreponds à la page 50*.
4. Installez les 2 câbles en acier pour la grenailleuse EBE 900 V dans les 2 suspensions (C) pour les câbles en acier.
5. Réglez les 2 suspensions des câbles en acier dans la position correcte sur les tubes horizontaux du châssis. La position correcte est lorsque la distance (X) entre le câble en acier (D) et la paroi (E) du réservoir de stockage est de 349 mm. Utilisez 2 boulons M20x180, 4 rondelles M20 et 2 contre-écrous M20.



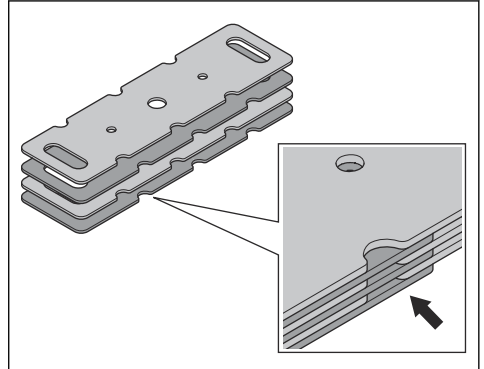
6. Installez les 6 colliers (F) à la hauteur nécessaire sur les câbles en acier. Les colliers engagent l'interrupteur de fin de course sur la grenailleuse EBE 900 V.
7. Réglez les roues motrices au rayon du réservoir de stockage. Reportez-vous à *Réglage des roues motrices au diamètre du réservoir de stockage à la page 49*.

Ajout et retrait des contreponds

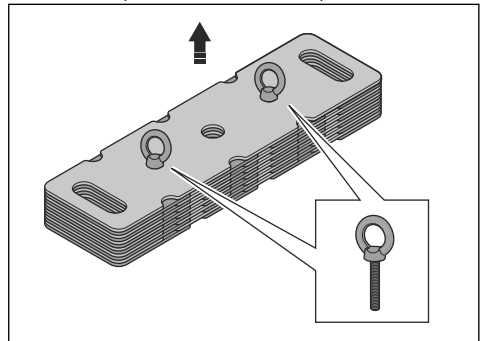


REMARQUE: n'utilisez pas une quantité trop importante de contreponds. Le contreponds total maximum autorisé est de 600 kg. Cela équivaut à 30 contreponds.

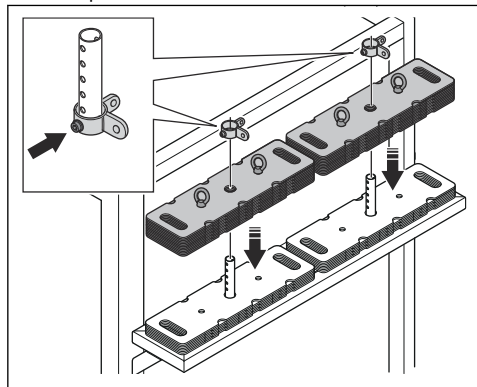
1. Placez les 12 contreponds dans le sens opposé l'un à l'autre. Cela facilite le retrait des contreponds à l'aide d'un tournevis.



2. Fixez les anneaux de levage aux contreponds. La longueur des boulons sur les anneaux de levage est suffisante pour soulever 12 contreponds à la fois.

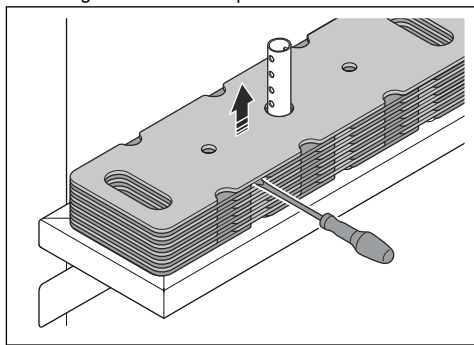


- Placez les contrepoids sur le support de contrepoids situé sur le produit. Utilisez les 4 anneaux de levage pour soulever les contrepoids sur le support de contrepoids.



- Installez les bagues de serrage et serrez les vis de réglage.

- Retirez les anneaux de levage.
- Pour retirer un contrepoids, procédez comme suit.
 - Retirez les bagues de serrage.
 - Utilisez un tournevis plat pour soulever légèrement le contrepoids avant de le retirer.



Utilisation

Introduction



AVERTISSEMENT: assurez-vous de lire et de comprendre le chapitre dédié à la sécurité avant d'utiliser le produit.



AVERTISSEMENT: assurez-vous que les 6 colliers des câbles en acier sont serrés.

À faire avant d'utiliser le produit

- Lisez attentivement le manuel d'utilisation de ce produit, de la grenailleuse EBE 900 V et de l'aspirateur, et assurez-vous de bien comprendre les instructions.
- Si un générateur est utilisé comme source d'alimentation pour le produit, veillez à lire et à bien comprendre le manuel d'utilisation du générateur.
- utilisez un équipement de protection individuelle. Reportez-vous à *Équipement de protection individuelle* à la page 46.
- Inspectez visuellement le produit. Reportez-vous à *Inspection visuelle* à la page 51.
- Assurez-vous que le produit est correctement monté et qu'il n'est pas endommagé.
- Vérifiez que tous les boulons, vis et écrous sont serrés.
- Effectuez l'entretien quotidien. Reportez-vous à *Calendrier d'entretien* à la page 55.

- Installez le produit sur le réservoir de stockage. Reportez-vous à *Installation du produit sur un réservoir de stockage* à la page 49.
- Assurez-vous que seules les personnes autorisées se trouvent dans la zone de travail.
- Assurez-vous que l'interrupteur ON/OFF est en position OFF avant de brancher le produit à une alimentation électrique.
- Branchez le produit à une source d'alimentation. Reportez-vous à *Branchement du produit à une source d'alimentation* à la page 52.

Inspection visuelle



AVERTISSEMENT: N'utilisez pas le produit si l'inspection visuelle indique des signes de dommages ou d'usure. Si vous n'êtes pas sûr de l'état du produit ou de l'équipement de levage, adressez-vous à une personne compétente pour effectuer des inspections supplémentaires.



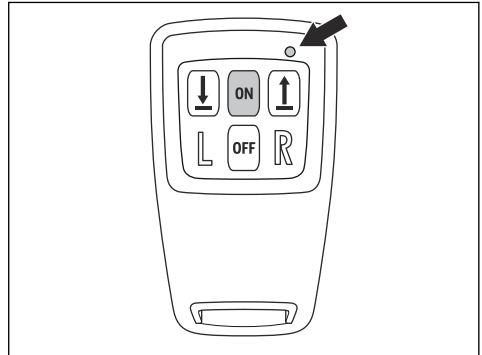
AVERTISSEMENT: L'eau de mer accélère le processus de corrosion.



AVERTISSEMENT: Le sable, la poussière de béton et autres particules accélèrent le processus d'usure.

- Assurez-vous que le produit ne présente ni usure ni dommages.
- Assurez-vous que le produit ne présente aucune déformation. La déformation diminue la résistance du matériau.
- Assurez-vous que le produit ne présente aucune corrosion.
- Assurez-vous qu'il n'y a pas de glace sur le produit.
- Vérifiez l'absence de boulons ou d'écrous desserrés.
- Assurez-vous qu'aucun roulement ou roue n'est usé.
- Vérifiez l'absence de fissures sur tous les joints soudés.
- Assurez-vous qu'aucune étiquette n'est manquante et que vous pouvez lire toutes les étiquettes.
- Examinez les câbles en acier pour vérifier l'absence d'usure ou de dommages. Reportez-vous au manuel d'utilisation de la grenailleuse EBE 900 V.
- Assurez-vous que l'équipement de levage ne présente pas de fissures, d'entailles, de rainures, de corrosion ou de décoloration due à la chaleur.

2. Appuyez sur le bouton ON pendant 3 secondes. La LED clignote en vert pendant le démarrage. Lorsque le voyant clignote lentement en vert, l'opération d'appariement est terminée.

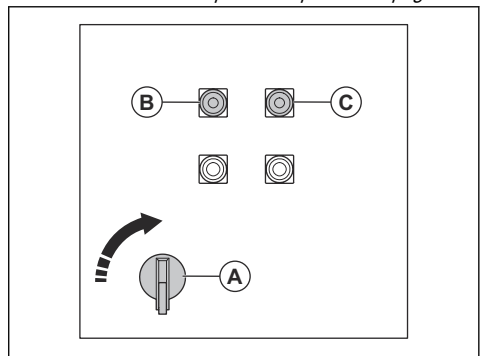


Branchement du produit à une source d'alimentation

1. Branchez la fiche d'alimentation du produit à une prise secteur mise à la terre ou à une autre source d'alimentation.
2. Assurez-vous que la tension secteur est conforme aux valeurs indiquées sur la plaque signalétique du produit.

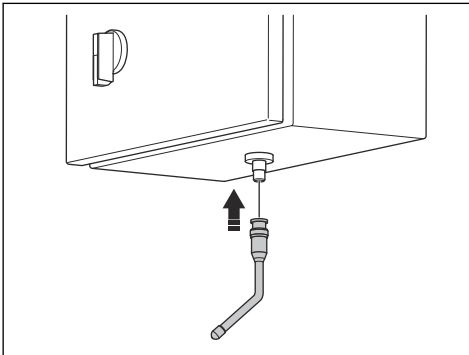
Démarrage du produit

1. Branchez le produit à une source d'alimentation. Reportez-vous à *Branchement du produit à une source d'alimentation à la page 52*.
2. Mettez l'interrupteur ON/OFF (A) en position ON. Le voyant vert de tension de commande (B) s'allume. Si le voyant rouge d'échec de séquence de phase (C) s'allume, la séquence de phase de la fiche d'alimentation doit être modifiée. Reportez-vous à *Modification de la séquence de phase à la page 53*.

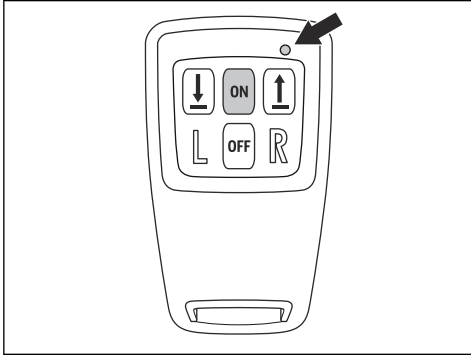


Effectuer une opération d'appariement entre la télécommande et le produit

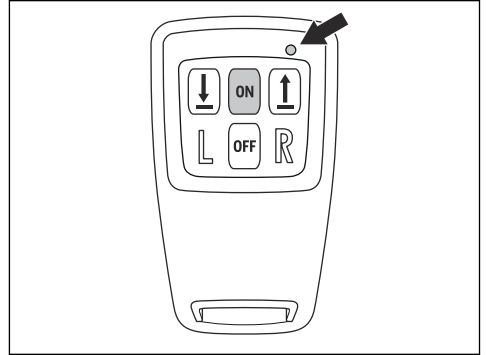
1. Installez l'antenne de la télécommande au bas du boîtier électrique.



3. Appuyez sur le bouton ON de la télécommande pour la démarrer. La LED clignote en vert.

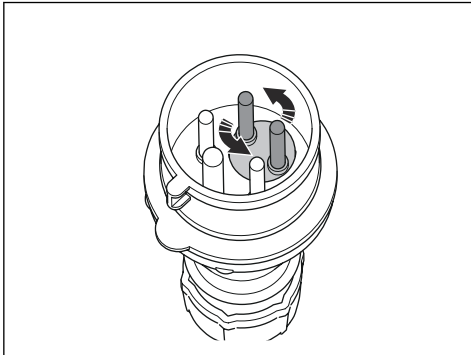


3. Appuyez sur le bouton ON de la télécommande pour la démarrer. La LED clignote en vert.



Modification de la séquence de phase

1. Mettez l'interrupteur ON/OFF en position OFF.
2. Débranchez la fiche d'alimentation de l'alimentation électrique.
3. Tournez les connecteurs de la fiche d'alimentation pour modifier la séquence de phase.



Utiliser le produit à l'aide de la télécommande

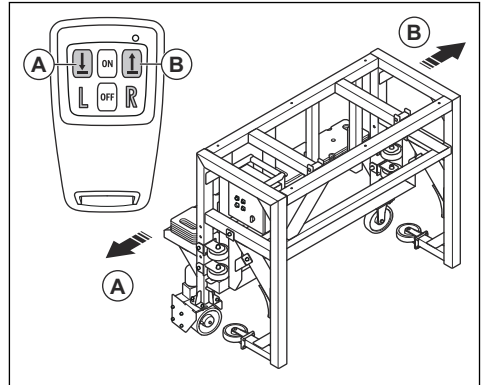
Remarque: La télécommande est automatiquement mise hors tension après un certain temps si elle n'est pas utilisée.



AVERTISSEMENT: n'utilisez pas le produit sur le câble d'alimentation électrique.

1. Faites démarrer le produit. Reportez-vous à *Démarrage du produit à la page 52.*
2. Effectuez une opération d'appariement entre la télécommande et le produit. Reportez-vous à *Effectuer une opération d'appariement entre la télécommande et le produit à la page 52.*

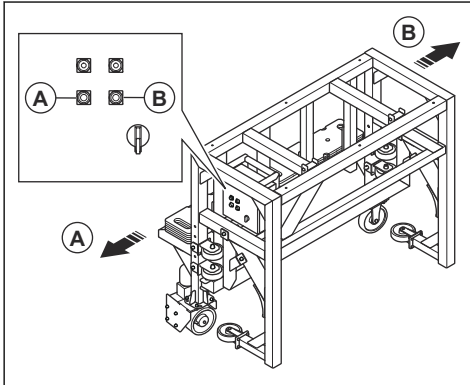
4. Utilisez les boutons gauche et droit pour déplacer le produit vers la gauche ou vers la droite.



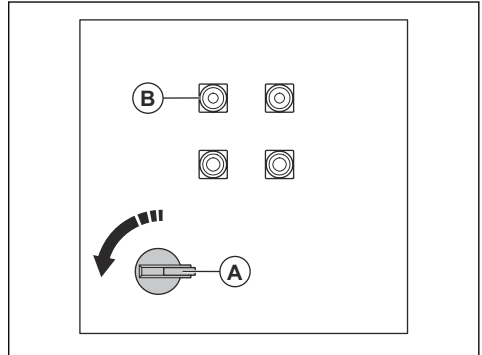
Fonctionnement du produit à l'aide du panneau de commande

1. Faites démarrer le produit. Reportez-vous à *Démarrage du produit à la page 52.*

- Utilisez le bouton gauche (A) pour déplacer le produit vers la gauche et le bouton droit (B) pour déplacer le produit vers la droite.



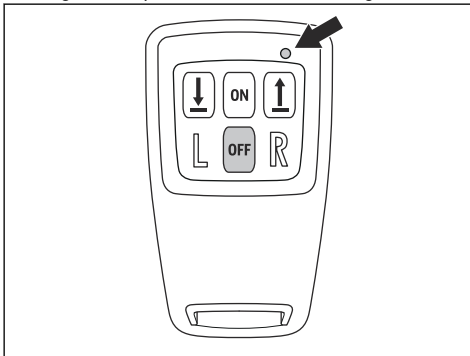
- Mettez l'interrupteur ON/OFF (A) en position OFF. Le voyant vert de la tension de commande (B) s'éteint.



- Débranchez le produit de l'alimentation électrique.

Arrêt du produit

- Appuyez sur le bouton ON/OFF de la télécommande pendant 3 secondes. Le témoin LED clignote en rouge avant que la télécommande s'éteigne.



Entretien

Introduction



AVERTISSEMENT: avant d'effectuer des travaux d'entretien, vous devez lire et comprendre le chapitre sur la sécurité.



AVERTISSEMENT: avant d'effectuer l'entretien, arrêtez le moteur et débranchez la fiche de l'alimentation électrique. Assurez-vous que tous les entraînements s'arrêtent et laissez le produit refroidir.



AVERTISSEMENT: utilisez un équipement de protection individuel lors de l'entretien. Reportez-vous à *Équipement de protection individuelle* à la page 46.



AVERTISSEMENT: Effectuez l'entretien du produit sur un sol de niveau et stable. Assurez-vous que le produit ne peut pas bouger.

Une formation spécifique est nécessaire pour effectuer tous les travaux d'entretien et de réparation du produit. Nous garantissons qu'il vous est possible d'obtenir des

services de réparation et d'entretien effectués par des professionnels. Si votre revendeur n'est pas un atelier spécialisé, demandez-lui des informations à propos de l'atelier spécialisé le plus proche.

Pour des informations plus détaillées, reportez-vous à www.husqvarnaconstruction.com.

X = Les instructions sont mentionnées dans ce manuel d'utilisation.

O = Les instructions ne sont pas mentionnées dans ce manuel d'utilisation. Faites réaliser l'entretien par un agent d'entretien agréé.

Calendrier d'entretien

* = Entretien général effectué par l'opérateur. Les instructions ne sont pas mentionnées dans ce manuel d'utilisation.

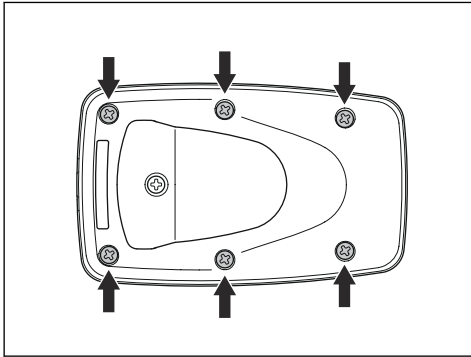
Entretien général du produit	Toutes les 50 h	Tous les jours	Une fois par an
Assurez-vous que les boulons, les écrous et les vis sont serrés. Effectuez cette opération également 12 heures après l'entretien et les réparations.		*	
Vérifiez que les composants électriques, les câbles et tous les raccords ne sont pas usés ou endommagés.		*	
Examinez le moteur électrique pour vérifier l'absence d'usure ou de dommages.		*	
Nettoyez l'intérieur du boîtier électrique.		*	
Effectuez un contrôle du RCD.		*	
Procédez à l'entretien de la télécommande. Reportez-vous au manuel du fabricant de la télécommande.	*	*	*
Remplacez le filtre de ventilation du boîtier électrique.	*		
Inspectez le moteur d'entraînement et les roues de support.	*		
Inspectez visuellement le produit et l'équipement de levage.		X	
Nettoyez le produit.		X	
Contrôlez les dispositifs de sécurité du produit.		X	
Effectuez un entretien et un nettoyage complets du produit.			O
Demandez à une personne agréée d'inspecter le produit et les dispositifs de sécurité du produit.			O
Lubrifiez les câbles en acier.		X	

Nettoyage du produit

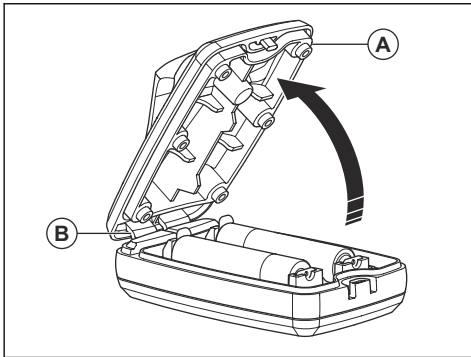
- Nettoyez toujours tout l'équipement après utilisation. Utilisez un aspirateur.
- N'utilisez pas de nettoyeur haute pression pour nettoyer le produit.
- Maintenez les ouvertures d'air propres et dégagées pour garantir que le produit est toujours suffisamment frais.

Remplacement des piles de la télécommande

1. Retirez les 6 vis.



2. Soulevez avec précaution la partie supérieure (A) du capot de piles et retirez-la. La partie inférieure du capot de piles est fixée par des charnières (B).



3. Remplacez les piles. Pour connaître le bon type de , reportez-vous à *Caractéristiques techniques à la page 59*.
4. Fixez les charnières sur la partie inférieure du capot de piles et poussez la partie supérieure du capot de piles vers le bas.
5. Posez les 6 vis et les serrer à un couple de 1 Nm.

Lubrification des câbles en acier



REMARQUE: ne lubrifiez pas les câbles en acier avec des lubrifiants contenant du bisulfure de molybdène (MoS2) ou du PTFE. Utilisez une huile ou de la graisse multi-usage standard.

1. Retirez les câbles en acier du produit. Assurez-vous de placer les câbles en acier sur une surface propre.
2. Nettoyez les câbles en acier avec un chiffon non pelucheux.
3. Lubrifiez les câbles en acier

Dépannage

Réinitialisation du produit après une défaillance de fonctionnement

1. Faites descendre le produit au sol ou sur une palette.
2. Placez l'interrupteur de marche/d'arrêt en position d'arrêt.
3. Appuyez sur le bouton d'arrêt de la télécommande.
4. Patientez 15 secondes, puis réglez l'interrupteur de marche/arrêt en position de marche et démarrez la télécommande.

Recherche de pannes de la télécommande

Problème	Cause	Solution
La LED est rouge.	La tension des piles est faible.	Remplacez les piles. Reportez-vous à <i>Remplacement des piles de la télécommande à la page 56</i> .

Problème	Cause	Solution
La LED clignote lentement en rouge 3 fois.	Les piles sont vides.	Remplacez les piles. Reportez-vous à <i>Remplacement des piles de la télécommande à la page 56.</i>
La LED clignote rapidement en rouge.	La sortie du récepteur ne fonctionne pas et il n'y a pas de signal en provenance du récepteur.	Effectuez une opération de couplage. Reportez-vous à <i>Effectuer une opération d'appariement entre la télécommande et le produit à la page 52.</i>

Transport, entreposage et mise au rebut

Transport



AVERTISSEMENT: soyez prudent lors du transport. Le produit est lourd et peut provoquer des blessures ou être endommagé en cas de chute ou de déplacement lors du transport.



REMARQUE: ne remorquez pas le produit derrière un véhicule.

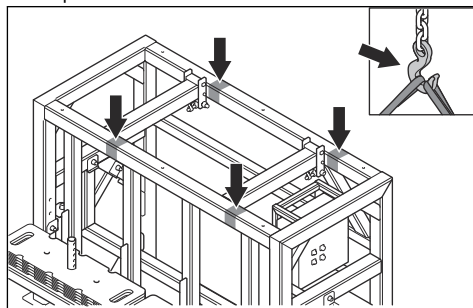
- Assurez-vous que l'alimentation électrique est débranchée avant le transport.
- Pour le transport, soulevez le produit pour le déplacer ou le placer sur un véhicule.
- ne soulevez pas un produit endommagé. Assurez-vous que les anneaux de levage sont bien fixés et en bon état.
- Utilisez toujours la vitesse la plus faible lorsque vous soulevez le produit.
- Les câbles de l'équipement de levage doivent être tendus avant de soulever le produit.
- ne marchez pas sur un produit soulevé et ne restez en dessous ou à proximité. Éloignez les personnes présentes de la zone de travail.
- Vous devez toujours voir le produit et la zone de travail lorsque vous soulevez le produit.
- Placez une protection sur le produit pendant le transport. La protection permet de faire en sorte que le produit n'entre pas en contact avec des éléments naturels, comme la pluie et la neige.

Levage du produit



AVERTISSEMENT: soulevez le produit uniquement à l'aide d'un équipement de levage adapté.

- Fixez l'équipement de levage aux 4 points de levage du produit.



Fixation du produit pour le transport

Utilisez les points de levage pour fixer le produit au véhicule de transport.

- Fixez les sangles d'arrimage dans les points de levage.
- Fixez les sangles d'arrimage sur le véhicule de transport et serrez-les.

Remisage



REMARQUE: n'entreposez pas le produit à l'extérieur. Gardez toujours le produit à l'intérieur.

- Placez le produit dans un endroit sec, frais et bien aéré.
- Ne laissez pas le produit au sol, accrochez-le au-dessus du sol.
- Nettoyez le produit et effectuez un entretien complet avant de remiser le produit.
- Veillez à prendre des mesures pour éviter la corrosion si les câbles en acier, les chaînes et autres équipements de levage en acier sont entreposés pendant une période prolongée.

- Conservez le produit dans un endroit verrouillé afin que des enfants ou personnes qui ne sont pas autorisées à l'utiliser ne puissent pas y avoir accès.

Mise au rebut du produit

- Respectez les consignes locales de recyclage et la réglementation en vigueur.
- Lorsque vous n'utilisez plus le produit, renvoyez-le au concessionnaire Husqvarna ou mettez-le au rebut dans une déchetterie.

Caractéristiques techniques

	RIGG 900 FI
Poids, hors contrepoids, kg/lb	580/1 279
Poids, contrepoids max. inclus, kg/lb	980/2 161
Dimensions du produit (L × l × h), mm/pouce	2 315 × 1 330 × 1 815/91 × 52 × 72
Tension nominale, V	400–460
Fréquence nominale, Hz	50/60
Connexion électrique	16 A, 5 pôles
Consommation électrique, moteur d'entraînement, kW	0,18
Vitesse, m/min/pi/min	0–9/0-30
Charge de travail maximale, kg/lb	1 300/2 866
Coefficient de test dynamique	1,1
Coefficient de test statique	1,25
Niveau sonore, dB(A)	<70
Télécommande	
Type de batterie	2 piles alcalines AA/LR06
Bande de fréquence, MHz	869
Séparation des canaux, kHz	25
Sensibilité fonctionnelle	Supérieure à -107 dBm BER 10 ⁻⁴
Principe de transmission	GMSK, TDMA
Classe IP	IP67
Température ambiante autorisée, °C/°F	0–45/32-113
Température de stockage, °C/°F	-40–+85/-40–+185

Remarque: si votre produit correspond à des spécifications électriques qui ne figurent pas dans le tableau, contactez un atelier de réparation Husqvarna pour plus d'informations.

Déclaration relative au bruit et aux vibrations

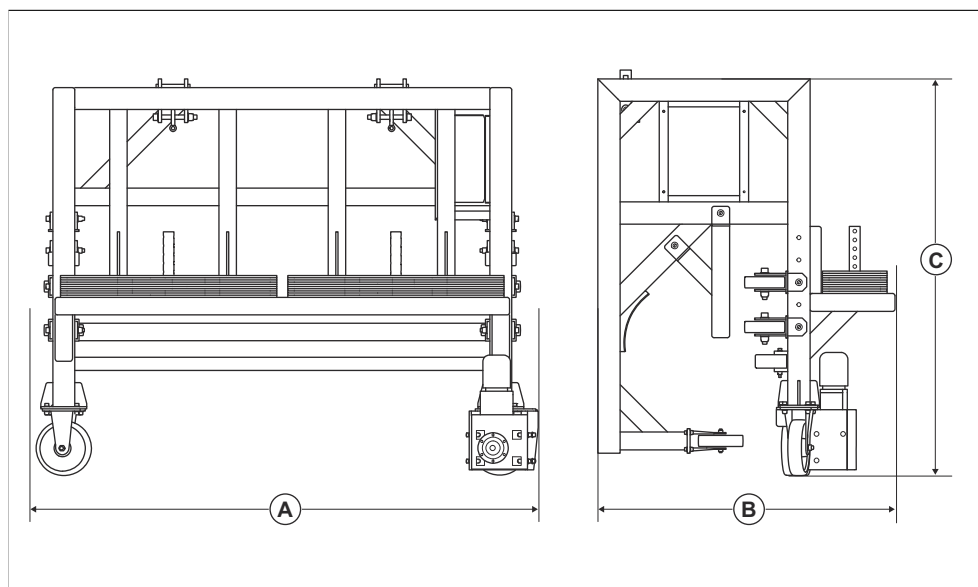
Ces valeurs déclarées ont été obtenues grâce à des essais types effectués en laboratoire conformément à la directive ou aux normes mentionnées. Elles conviennent

à l'établissement d'une comparaison avec les valeurs déclarées d'autres produits testés conformément aux mêmes normes ou à la même directive. Ces valeurs ne sont pas adaptées à une utilisation à des fins d'évaluations des risques ; les valeurs mesurées dans différents lieux de travail peuvent être plus élevées. Les valeurs d'exposition réelles et les risques de blessures rencontrés par chaque utilisateur sont uniques et dépendent de la manière dont l'utilisateur travaille, dans quel matériau le produit est utilisé, mais aussi de la durée d'exposition, de la condition physique de l'utilisateur et de l'état du produit.

Rallonges

Longueur du câble	Section transversale			
	≤ 16 A	≤ 32 A	≤ 63 A	≤ 125 A
Calculé au niveau d'un pré-fusible GG ³ :	16 A	32 A	63 A	125 A
> 20 m	1,5 mm ²	2,5 mm ²	10 mm ²	25 mm ²
20 m > 50 m	2,5 mm ²	4 mm ²	10 mm ²	25 mm ²
50 m > 75 m	4 mm ²	6 mm ²	16 mm ²	35 mm ²

Dimensions du produit



A	Longueur, mm/pouce	2 315/91
B	Largeur, mm/pouce	1 330/52
C	Hauteur, mm/pouce	1 814/72

³ Les sections transversales doivent être recalculées lorsque des pré-fusibles de type ou de dimension différents sont utilisés.

Déclaration de conformité

Déclaration de conformité UE

Nous, Husqvarna AB, SE-561 82 Huskvarna, Suède,
tél : +46- 36-146500, déclarons sous notre entière
responsabilité que le produit :

Description	Système de rétention
Marque	Husqvarna
Type/Modèle	RIGG 900 FI
Identification	Numéros de série à partir de 2024 et ultérieurs

est entièrement conforme à la réglementation et aux
directives de l'UE suivantes :

Directive/Réglementation	Description
2006/42/EC	« relative aux machines »
2014/53/UE	« relative aux équipements radio »

et que les normes et/ou les spécifications techniques
suivantes sont appliquées :

EN ISO 12100:2010

EN 60204-1:2018

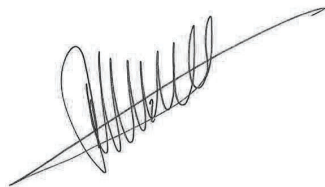
EN ESTI 300 220-1 v3.1.1

ETSI EN 300 220-2 V3.1.1

ETSI EN 301 489-1 V2.2.0

ETSI EN 301 489-3 V2.1.1

Soest, Netherland 2024



René van der Grint

Directeur de CS&F INFRA, Catégorie de produits
Surfaces et sols en béton

Husqvarna AB, division Construction

Responsable de la documentation technique, disponible
à l'adresse Nieuwegracht 9, 3763 LP Soest, Pays-Bas.



Inhoud

Inleiding.....	62	Probleemoplossing.....	76
Veiligheid.....	65	Vervoer, opslag en verwerking.....	76
Installatie.....	68	Technische gegevens.....	78
Werking.....	71	Verklaring van overeenstemming.....	80
Onderhoud.....	74		

Inleiding

Productbeschrijving

Het product is een tuigagesysteem voor opslagtanks met zwevende daken. Het product mag alleen worden gebruikt voor de EBE 900 V straalmachine.

Gebruik

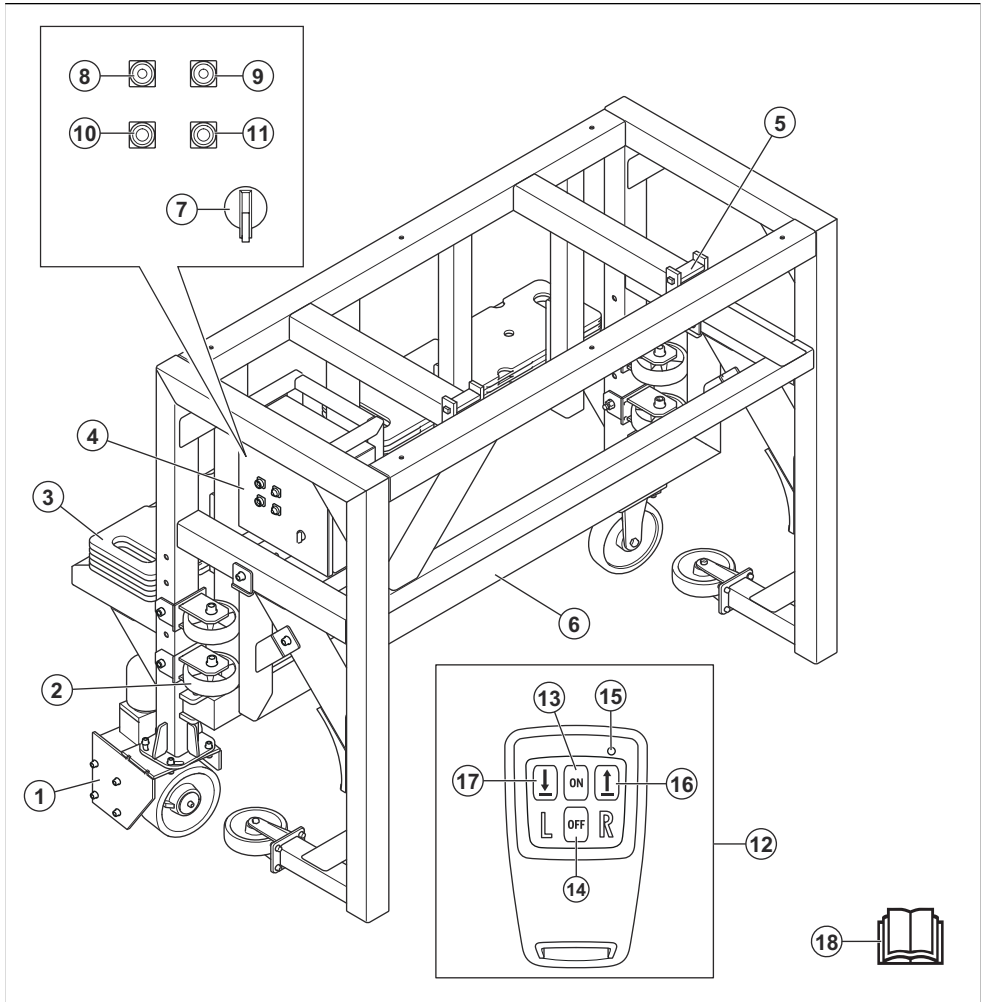
Het product wordt gebruikt om de EBE 900 V straalmachine links en rechts langs de verticale stalen

oppervlakken van opslagtanks te bewegen. Het product kan met een afstandsbediening worden bediend.

Het product wordt voor commerciële toepassingen gebruikt door professionele gebruikers.

Gebruik het product niet voor andere taken.

Productoverzicht



1. Aandrijfeenheid
2. Steunwielen
3. Contragewichten
4. Controlekast en bedieningspaneel
5. Ophangingen voor staalkabel
6. Veiligheidsbalk
7. ON/OFF-schakelaar
8. Groen indicatielampje voor regeltspanning
9. Rood indicatielampje voor fasevolgordefout
10. Knop voor naar links bewegen
11. Knop voor naar rechts bewegen
12. Afstandsbediening

13. ON-knop
14. OFF-knop
15. Led
16. Knop voor naar rechts bewegen
17. Knop voor naar links bewegen
18. Bedieningshandleiding

Symbolen op het product



Waarschuwing: Dit product kan gevaarlijk zijn en ernstig of fataal letsel toebrengen aan de gebruiker of anderen. Wees

voorzichtig en gebruik het product op de juiste manier.



Hoogspanning.



Hijspunt op het product.



Lees de handleiding goed door en zorg dat u de instructies hebt begrepen voordat u het product gebruikt.



Gebruik een goedgekeurde veiligheidshelm, gehoorbescherming, oogbescherming en ademhalingsbescherming.



Draag goedgekeurde veiligheidshandschoenen.



Draag goedgekeurde veiligheidslaarzen.



Dit product voldoet aan de geldende EU-richtlijnen.

1. Productnummer
2. Gewicht van het product
3. Nominaal vermogen
4. Nominale spanning
5. Behuizing
6. Nominale stroom
7. Frequentie
8. Maximale hellingshoek
9. Fabrikant
10. Scanbare code
11. Bouwjaar
12. Model
13. Serienummer
14. Werklast heffen
15. Waarde werklast heffen

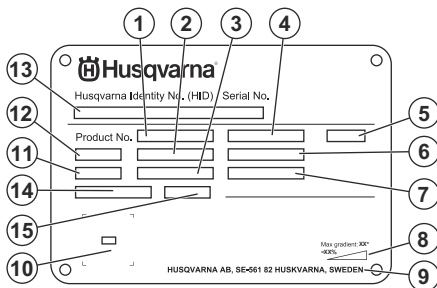
Schade aan het product

We zijn niet verantwoordelijk voor schade aan ons product als:

- het product niet goed is gerepareerd.
- het product is gerepareerd met onderdelen die niet van de fabrikant afkomstig zijn, of onderdelen die niet zijn goedgekeurd door de fabrikant.
- het product een accessoire bevat dat niet afkomstig is van de fabrikant of niet is goedgekeurd door de fabrikant.
- het product niet is gerepareerd door een erkend servicepunt of door een erkende autoriteit.

Let op: Overige op het product aangebrachte symbolen/plaatjes verwijzen naar specifieke eisen aan certificering voor bepaalde markten.

Typeplaatje



Veiligheid

Veiligheidsdefinities

Waarschuwingen, voorzorgsmaatregelen en opmerkingen worden gebruikt om te wijzen op belangrijke delen van de handleiding.



WAARSCHUWING: Wordt gebruikt om te wijzen op de kans op ernstig of fataal letsel voor de gebruiker of omstanders wanneer de instructies in de handleiding niet worden gevolgd.



OPGELET: Wordt gebruikt indien er een risico bestaat op schade aan het product en andere eigendommen of aan de omgeving wanneer de instructies in de handleiding niet worden gevolgd.

Let op: Geven verdere informatie die nodig is in een bepaalde situatie.

Algemene veiligheidsinstructies



WAARSCHUWING: Lees de volgende waarschuwingen voordat u het product gaat gebruiken.

- Dit product kan bij onvoorzichtig of onjuist gebruik een gevaarlijk gereedschap zijn. Dit product kan ernstig of fataal letsel toebrengen aan de gebruiker of anderen. Het is erg belangrijk dat u deze gebruiksaanwijzing leest en begrijpt voordat u dit product gaat gebruiken.
- Dit product mag niet worden gebruikt door personen (inclusief kinderen) met een lichamelijke, zintuiglijke of geestelijke beperking of gebrek aan ervaring en kennis.
- Bewaar alle waarschuwingen en instructies.
- U dient alle toepasselijke wet- en regelgeving in acht te nemen.
- De gebruiker en de werkgever van de gebruiker dienen op te hoogte te zijn van de risico's tijdens het gebruik van het product en moeten deze voorkomen.
- Zorg ervoor dat dit product alleen wordt gebruikt door personen die de inhoud van de gebruikershandleiding hebben gelezen en begrepen.
- Gebruik het product alleen als u voorafgaand aan gebruik training hebt ontvangen. Zorg ervoor dat alle gebruikers getraind worden.
- Laat het product niet door een kind bedienen.
- Het product mag alleen worden gebruikt door goedgekeurde personen.
- De gebruiker is verantwoordelijk indien ongelukken gebeuren met andere mensen of hun eigendommen.

- Gebruik het product nooit als u moe of ziek bent, of onder invloed van alcohol, drugs of medicijnen verkeert.
- Wees altijd voorzichtig en gebruik uw gezond verstand.
- Houd het product schoon. Zorg ervoor dat u de aanduidingen en stickers duidelijk kunt lezen.
- Gebruik het product niet als het beschadigd is of niet correct werkt.
- Breng geen wijzigingen aan dit product aan.
- Gebruik het product niet als de mogelijkheid bestaat dat andere personen wijzigingen aan het product hebben aangebracht.

Veiligheidsinstructies voor bediening



WAARSCHUWING: Lees de volgende waarschuwingen voordat u het product gaat gebruiken.

- Maak altijd gebruik van persoonlijke beschermingsmiddelen. Zie *Persoonlijke beschermingsuitrusting* op pagina 66.
- Gebruik het product niet zonder dat alle beschermkappen zijn gemonteerd.
- Gebruik het product niet om personen of andere voorwerpen dan de straalmachine op te tillen.
- Blijf op een veilige afstand achter het product en met een duidelijk zicht op het product wanneer u het gebruikt.
- Loop of sta niet onder het product.
- Gebruik het product niet op hout.
- Zorg ervoor dat u weet hoe u het product in een noodsituatie snel kunt stopzetten.
- Gebruik het product niet in te kleine stappen. Als u het product vaak in kleine stappen gebruikt, kan het beschadigd raken.
- Voordat u het product achterlaat, moet u de motor stopzetten en de voedingskabel afkoppelen. Zorg ervoor dat er geen risico op onbedoeld starten bestaat.
- Zorg ervoor dat er geen kleding, lang haar en sieraden vast komen te zitten in bewegende delen
- Zorg ervoor dat u stabiel en veilig staat tijdens het gebruik.
- Controleer of er geen loszittende bouten en moeren zijn.
- Gebruik altijd goedgekeurde accessoires. Neem voor meer informatie contact op met uw Husqvarna-dealer.
- Zorg ervoor dat er geen vet of olie op de handgrepen zit.

- Controleer of er geen ijs op het product zit. Ijs heeft een negatief effect op de werking van het product en verandert de structuur van het materiaal.
- Houd chemische middelen uit de buurt van het product.
- Voer geen laswerkzaamheden op het product of de staalkabels uit.
- Gebruik het product nooit zonder de mogelijkheid hulp in te roepen in geval van nood.
- Gebruik het product alleen als u weet dat u hulp kunt krijgen indien zich een ongeval voordoet.

Persoonlijke beschermingsuitrusting



WAARSCHUWING: Lees de volgende waarschuwingen voordat u het product gaat gebruiken.

- Draag tijdens het gebruik van het product altijd goedgekeurde persoonlijke beschermingsuitrusting. Persoonlijke beschermingsuitrusting kunnen niet alle risico's uitsluiten maar kunnen de ernst van eventueel letsel helpen beperken. Vraag uw dealer te helpen bij het kiezen van de juiste persoonlijke beschermingsmiddelen en wanneer u deze moet gebruiken.
- Controleer regelmatig de toestand van uw persoonlijke beschermingsmiddelen.
- Draag een goedgekeurde veiligheidshelm.
- Gebruik goedgekeurde gehoorbescherming.
- Gebruik goedgekeurde ademhalingsbescherming.
- Gebruik goedgekeurde oogbescherming met zijbescherming.
- Draag veiligheidshandschoenen.
- Gebruik laarzen met stalen neus en antislipzool.
- Gebruik goedgekeurde werkkleding of gelijkwaardige nauwsluitende kleding met lange mouwen en lange broekspijpen.

Brandblusser

- Zorg dat er een brandblusser in de buurt is tijdens het gebruik van dit product.
- Gebruik een poederblusser of een kooldioxidebrandblusser.

Veiligheid van het werkgebied



WAARSCHUWING: Lees de volgende waarschuwingen voordat u het product gaat gebruiken.

- Het is de verantwoordelijkheid van de gebruiker om het te behandelen oppervlak aan een analyse te onderwerpen. De gebruiker wordt geacht een risicoanalyse te maken op basis van de gegevens die over het te behandelen oppervlak zijn verkregen en dient passende voorzorgsmaatregelen te treffen.

- Gebruik het product niet bij mist, regen, harde wind, koud weer, risico op blikseminslag of andere slechte weersomstandigheden.
- Kijk uit voor personen, objecten en situaties die een veilig gebruik van het product kunnen verhinderen.
- Gebruik het product niet in gebieden waar brand of explosies kunnen optreden. Het product creëert vonken, en ontvlambaar materiaal kan met het stof of de dampen ontbranden.
- Houd kinderen, omstanders en dieren weg van het werkgebied en op veilige afstand van het product. Een veilige afstand is 15 m/49 ft.
- Zorg ervoor dat er alleen goedgekeurde personen in het werkgebied zijn.
- Zorg dat het werkgebied schoon en volledig verlicht is. In rommelige of donkere gebieden gebeuren eerder ongelukken.
- Zorg ervoor dat er geen kabels of slangen in de werkrichting van het product zijn.
- Zorg ervoor dat er geen obstakels zijn waar het product of de straalmachine aan vast kan komen te zitten.
- Let erop dat het product niet wordt belemmerd door ongelijke vloerdelen, zoals lasnaden of vloerverbindingen.
- Zorg ervoor dat er een voldoende luchtstroom op de werkplek is.
- Gebruikers die niet op de grond blijven wanneer het product wordt geassembleerd, moeten zijn gecertificeerd om op hoogten te werken en moeten een valbeveiligingssysteem gebruiken.
- Zorg dat u op de hoogte bent van de maximale werklast van de constructie die het tuigagesysteem en het product zal dragen.

Elektrische veiligheid



WAARSCHUWING: Er is altijd kans op schokken van elektrische producten. Gebruik het product niet bij slecht weer. Raak geen bliksemafleiders en metalen voorwerpen aan. Gebruik het product altijd zoals in deze bedieningshandleiding wordt beschreven om letsel te voorkomen.



WAARSCHUWING: Gebruik altijd een voeding met aardlekschakelaar. Een aardlekschakelaar vermindert de kans op een elektrische schok.



WAARSCHUWING: Hoogspanning. Er bevinden zich onbeschermd onderdelen in de voedingseenheid. Haal altijd de stekker uit het stopcontact voordat u de deur van het regelkastje opent.



OPGELET: De voeding van het product of de generator moet krachtig genoeg en constant zijn om de motoren probleemloos te kunnen laten werken. Een onjuiste spanning heeft tot gevolg dat het stroomverbruik en de temperatuur van de motoren toenemen totdat het veiligheidscircuit wordt geactiveerd. De specificaties van de voedingskabel moeten overeenstemmen met de nationale en lokale voorschriften. De specificaties van het stopcontact moeten overeenstemmen met de stroomsterkte voor het stopcontact en de verlengkabel van het product.

Als het elektriciteitsnet een hogere systeemweerstand heeft, kan er kort spanningsverlies optreden wanneer het product wordt gestart. Dit kan invloed hebben op de werking van andere producten en bijvoorbeeld flikkerende lichten veroorzaken.

- De voedingsstekker moet geschikt zijn voor het betreffende stopcontact. Wijzig nooit de stekker. Gebruik nooit een adapterstekker in combinatie met geaarde elektrische gereedschappen. Ongewijzigde stekkers en overeenkomende stopcontacten verkleinen het risico op elektrische schokken.
- Vermijd lichamelijk contact met geaarde oppervlakken, zoals buizen, radiatoren, fornuizen en koelkasten. Er is een verhoogd risico op elektrische schokken als uw lichaam geaard is.
- Controleer of de spanning van het elektriciteitsnet en de zekering overeenkomt met de spanning die wordt aangegeven op het productplaatje van het product.
- Stop het product altijd voordat u de stekker uit het stopcontact haalt.
- Haal altijd de stekker uit het stopcontact voordat u de elektrische behuizing opent.
- Zorg ervoor dat de ON/OFF-schakelaar in de OFF-stand staat en dat het product is aangesloten op een voedingsbron.
- Haal de voedingsstekker altijd uit het stopcontact als het product langere tijd niet wordt gebruikt.
- Gebruik het product niet als de voedingskabel of de stekker beschadigd is. Laat onderhoud aan het product uitvoeren door een erkende servicewerkplaats. Een beschadigde voedingskabel kan ernstig letsel en de dood veroorzaken.
- Gebruik de voedingskabel op de juiste manier. Gebruik de voedingskabel niet om het product te verplaatsen, te trekken of los te koppelen. Trek aan de stekker om de voedingskabel los te koppelen. Trek niet aan de voedingskabel.
- Gebruik het product alleen op droge oppervlakken.
- Stel het product niet bloot aan regen. Water dat het product binnendringt, verhoogt het risico op elektrische schokken.

- Verwijder de voedingskabel altijd voordat u de verbinding voor de motorkabel en de controlekast aansluit of loskoppelt.
- Om gevaar vanwege onbedoeld resetten van de thermische uitschakeling te voorkomen, mag het apparaat niet worden gevoed via een extern schakelapparaat, zoals een timer, en mag het niet aangesloten worden op een circuit dat regelmatig in- en uitgeschakeld wordt door het nutsbedrijf.
- Zorg ervoor dat de voeding voor het product wordt geleverd door afzonderlijke voedingseenheden die alleen voor industrieel gebruik bedoeld zijn.

Instructies voor geaard product



WAARSCHUWING: Een verkeerde aansluiting kan leiden tot elektrische schokken. Raadpleeg een erkende elektricien als u niet zeker weet of de contactdoos van het elektriciteitsnet correct geaard is.

Breng geen wijzigingen aan de stekker aan ten opzichte van de fabrieksspecificatie. Als de stekker of de voedingskabel beschadigd is of moet worden vervangen, raadpleeg dan uw Husqvarna-servicewerkplaats. Volg de lokale regel- en wetgeving.

Neem contact op met een erkende elektricien als u de instructies over het geaarde product niet volledig begrijpt.

Gebruik alleen geaarde verlengkabels voor buitengebruik met geaarde stekkers en geaarde contactdozen die geschikt zijn voor de stekker van het product.

Het product heeft een geaarde voedingskabel en een geaarde stekker. Sluit het product altijd aan op een geaard stopcontact. Dit vermindert de kans op een elektrische schok.

Gebruik geen adapters in combinatie met het product.

Verlengkabels

- Gebruik alleen goedgekeurde verlengkabels met geschikte eigenschappen.
- De markering op de verlengkabel moet gelijk zijn aan of hoger zijn dan de waarde op het productplaatje van het product.
- Gebruik geaarde verlengkabels.
- Gebruik een verlengkabel die geschikt is voor gebruik buitenshuis wanneer u buiten werkt met het product. Dit vermindert de kans op een elektrische schok.
- Houd de aansluiting op de verlengkabel droog en zorg dat deze de grond niet raakt.
- Houd de verlengkabel uit de buurt van hitte, olie, scherpe randen en bewegende delen. Een

beschadigde kabel verhoogt het risico op elektrische schokken.

- Controleer of de verlengkabel in goede staat verkeert en niet beschadigd is.
- Gebruik de verlengkabel niet in opgerolde toestand. Daardoor kan de kabel oververhit raken.
- Zorg ervoor dat de verlengkabel tijdens het bedrijf niet in de weg ligt en zich niet bij het product bevindt. Zo voorkomt u dat de verlengkabel beschadigd raakt.

4. Zorg ervoor dat het indicatielampje voor regelspanning uit is.

Veiligheidsinstructies voor onderhoud



WAARSCHUWING: Lees de volgende waarschuwingen voordat u het product gaat gebruiken.

- Voer alleen onderhoud uit zoals beschreven in deze bedieningshandleiding. Laat een goedgekeurde servicewerkplaats alle andere onderhoudswerkzaamheden uitvoeren.
- Als het onderhoud niet correct en regelmatig wordt uitgevoerd, neemt de kans op letsel of schade aan het product toe.
- Maak het product schoon om gevaarlijk materiaal te verwijderen voordat u het onderhoud uitvoert.
- Zorg ervoor dat u onderhoudswerkzaamheden aan het product uitvoert op een stabiele, horizontale ondergrond. Zorg ervoor dat het product niet kan bewegen.
- Breng geen wijzigingen aan het product aan. Wijzigingen aan het product die niet zijn goedgekeurd door de fabrikant, kunnen leiden tot ernstig letsel of overlijden.
- Vervang beschadigde, versleten of defecte onderdelen.
- Reinig het product niet met een hogedrukpuit.
- Gebruik alleen niet-pluizende reinigingsdoeken.
- Gebruik altijd originele accessoires en reserveonderdelen. Accessoires en wijzigingen die niet zijn goedgekeurd door de fabrikant, kunnen leiden tot ernstig letsel of overlijden.
- Controleer na onderhoud het trillingsniveau in het product. Als dit niet correct is, neemt u contact op met een erkende servicewerkplaats.
- Laat een erkende servicewerkplaats regelmatig onderhoud aan het product uitvoeren.

Veiligheidsvoorzieningen op het product



WAARSCHUWING: Lees de volgende waarschuwingen voordat u het product gaat gebruiken.

- Gebruik geen producten met veiligheidsvoorzieningen die beschadigd zijn of niet correct werken.
- Controleer de veiligheidsvoorzieningen regelmatig op een juiste werking. Als de veiligheidsvoorzieningen beschadigd zijn of niet goed werken, neem dan contact op met uw Husqvarna servicewerkplaats.
- Voer geen aanpassingen uit aan veiligheidsvoorzieningen.

ON/OFF-schakelaar

De ON/OFF-schakelaar wordt gebruikt om de voeding naar het product te starten en te stoppen.

De ON/OFF-schakelaar controleren

Zie *Productoverzicht op pagina 63* voor informatie over de locatie van de ON/OFF-schakelaar op uw product.

1. Zet de ON/OFF-schakelaar op ON (I).
2. Controleer of het indicatielampje voor regelspanning gaat branden.
3. Draai de ON/OFF-schakelaar naar de stand OFF (0).

Installatie

Inleiding



WAARSCHUWING: Zorg dat u het hoofdstuk over veiligheid hebt gelezen en begrepen voordat u het product monteert.



WAARSCHUWING: Personen die zich boven op een tank of boven de grond bevinden, moeten worden beveiligd met een valbeveiligingssysteem met veiligheidsslijn. Neem de lokale toepasselijke voorschriften in acht.



WAARSCHUWING: Gebruik altijd persoonlijke beschermingsmiddelen. Zie *Persoonlijke beschermingsuitrusting op pagina 66*.



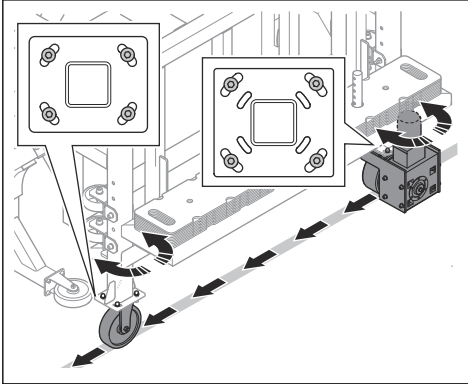
WAARSCHUWING: Controleer of de staalkabels schoon en niet beschadigd zijn. Controleer of de certificaten voor de staalkabels, het tuigagesysteem en de liermotoren geldig zijn.



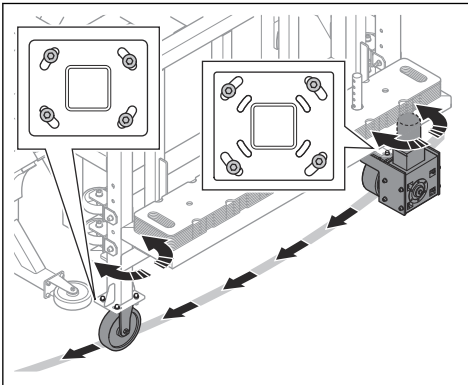
WAARSCHUWING: Wanneer de gebruikers het product in elkaar hebben gezet, moeten ze naar beneden op de grond gaan en op veilige afstand van het product blijven.

De aandrijfwielen op de diameter van de opslagtank afstellen

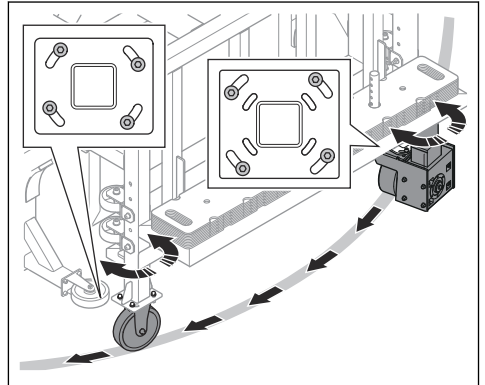
- Als de diameter van de opslagtank groter is dan 25 m, zet u de aandrijfwielen in de rechttuitstand.



- Als de diameter van de opslagtank 15–25 m bedraagt, zet u de aandrijfwielen in de middelste stand.



- Als de diameter van de opslagtank kleiner is dan 15 m, zet u de aandrijfwielen in de maximaal gedraaide stand.

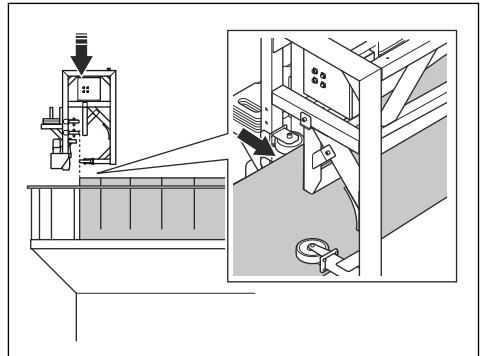


Het product aan een opslagtank monteren

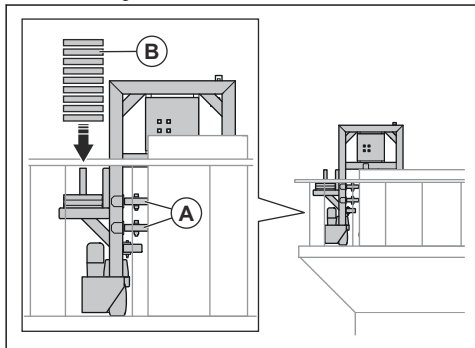


WAARSCHUWING: Blijf niet onder het product wanneer u het product installeert.

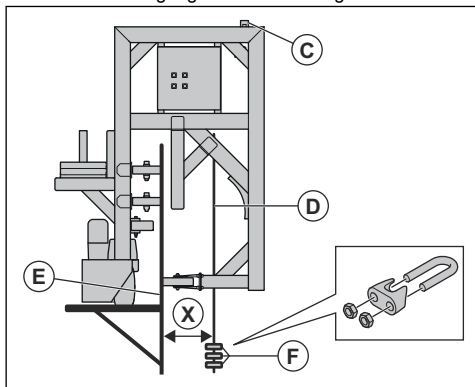
- Laat het product zakken op het dak van de opslagtank. Gebruik geschikte hefuitrusting. Zie *Het product optillen op pagina 76*.



2. Installeer de 4 steunwielen (A). Breng elk steunwiel aan met 1 M16x150-bout, 2 M16-onderlegingen en 1 M16-borgmoer.



3. Voeg contragewichten (B) toe aan het product. Zie *Contragewichten toevoegen en verwijderen* op pagina 70.
4. Monteer de 2 staalkabels voor de EBE 900 V-kogelstraler in de 2 ophangingen (C) voor staalkabels.
5. Stel de 2 ophangingen voor staalkabels af in de juiste positie op de horizontale framebuizen. De juiste positie is wanneer de afstand (X) tussen de staalkabel (D) en de wand (E) van de opslagtank 349 mm bedraagt. Gebruik 2 M20x180-bouten, 4 M20-onderlegingen en 2 M20-borgmoeren.



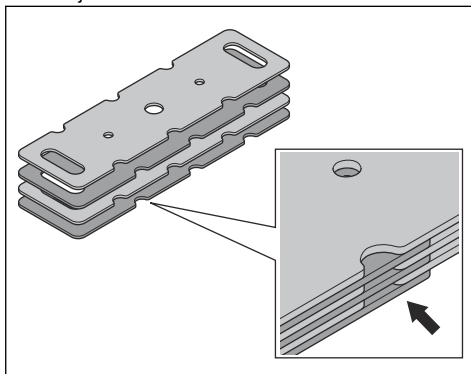
6. Monteer de 6 klemmen (F) op de noodzakelijke hoogte op de staalkabels. De klemmen schakelen de eindschakelaar op de EBE 900 V straalmachine in.
7. Stel de aandrijfwielen af op de diameter van de opslagtank. Zie *De aandrijfwielen op de diameter van de opslagtank afstellen* op pagina 69.

Contragewichten toevoegen en verwijderen

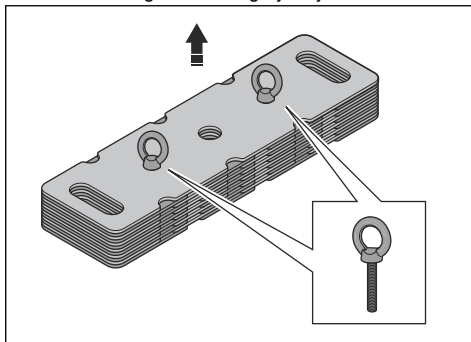


OPGELET: Gebruik niet te veel contragewichten. Het maximaal toegestane totale contragewicht is 600 kg. Dit is gelijk aan 30 contragewichten.

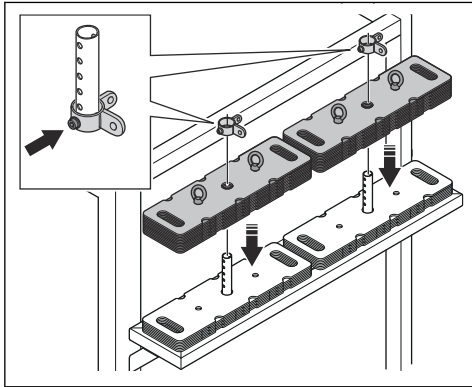
1. Plaats 12 contragewichten in de tegenovergestelde richting van elkaar. Dit maakt het gemakkelijker om de contragewichten met een schroevendraaier te verwijderen.



2. Bevestig de hijsogen aan de contragewichten. De lengte van de bouten op de hijsogen is voldoende om 12 contragewichten tegelijkertijd te heffen.

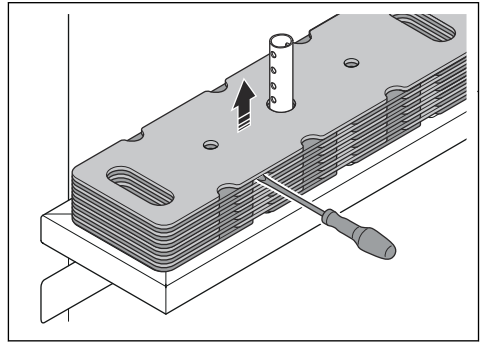


- Plaats de contragewichten op het rek voor contragewichten op het product. Gebruik de 4 hijsogen wanneer u de contragewichten op het rek voor contragewichten heft.



- Breng de klemringen aan en draai de stelschroeven vast.

- Verwijder de hijsogen.
- Voer de volgende stappen uit om een contragewicht te verwijderen.
 - Verwijder de klemringen.
 - Gebruik een platte schroevendraaier om het contragewicht iets op te tillen voordat u het verwijdert.



Werking

Inleiding



WAARSCHUWING: Zorg dat u het hoofdstuk over veiligheid hebt gelezen en begrepen voordat u het product gebruikt.



WAARSCHUWING: Zorg ervoor dat de 6 klemmen op de staalkabels goed vast zitten.

Voordat u het product gebruikt

- Lees de bedieningshandleiding voor dit product, de EBE 900 V straalmachine en het stofopvangsysteem zorgvuldig door en zorg dat u de instructies hebt begrepen.
- Als een generator wordt gebruikt als voedingsbron voor het product leest u de bedieningshandleiding van de generator door en zorg dat u deze begrijpt.
- Maak altijd gebruik van persoonlijke beschermingsmiddelen. Zie *Persoonlijke beschermingsuitrusting op pagina 66*.
- Voer een visuele inspectie van het product uit. Zie *Een visuele controle uitvoeren op pagina 71*.
- Controleer of het product goed gemonteerd en niet beschadigd is.
- Controleer of alle bouten, schroeven en moeren goed zijn vastgedraaid.
- Voer dagelijks onderhoud uit. Zie *Onderhoudsschema op pagina 74*.

- Monteer het product op de opslagtank. Zie *Het product aan een opslagtank monteren op pagina 69*.
- Zorg ervoor dat er alleen goedgekeurde personen in het werkgebied zijn.
- Zorg ervoor dat de ON/OFF-schakelaar in de stand OFF staat voordat u het product op een voeding aansluit.
- Sluit het product aan op een stroombron. Zie *Het product op een stroombron aansluiten op pagina 72*.

Een visuele controle uitvoeren



WAARSCHUWING: Gebruik het product niet als bij de visuele inspectie tekenen van beschadiging of slijtage ontdekt worden. Als u niet zeker weet wat de toestand van het product of de hefuitrusting is, neem dan contact op met een bevoegd persoon voor meer inspecties.



WAARSCHUWING: Zeewater verhoogt de snelheid van het corrosieproces.



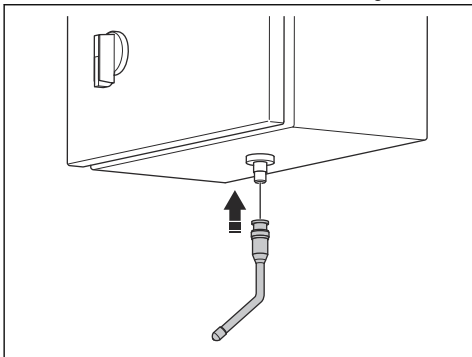
WAARSCHUWING: Zand, betonstof en andere deeltjes verhogen de snelheid van het slijtproces.

- Controleer of er geen slijtage of beschadigingen zijn.

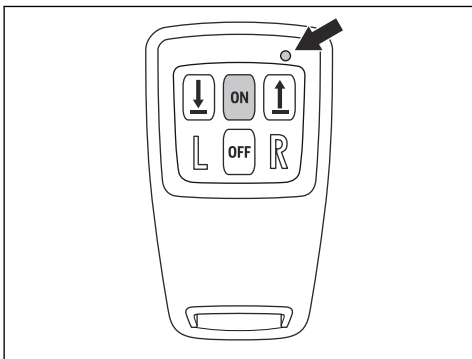
- Controleer of er geen vervorming is. Vervorming vermindert de materiaalsterkte.
- Controleer of er geen corrosie is.
- Controleer of er geen ijs op het product zit.
- Controleer of er geen loszittende bouten of moeren zijn.
- Controleer of er geen lagere wielen zijn versleten.
- Controleer alle gelaste verbindingen op scheuren.
- Zorg ervoor dat er geen label ontbreekt en dat u alle labels kunt lezen.
- Controleer de staalkabels op slijtage en beschadiging. Raadpleeg de bedieningshandleiding voor de EBE 900 V straalmachine.
- Controleer of de hefuitrusting geen scheuren, inkepingen, groeven, corrosie of verkleuring door hitte heeft.

De afstandsbediening en het product koppelen

1. Installeer de antenne voor de afstandsbediening aan de onderkant van de elektrische behuizing.



2. Druk 3 seconden lang op de ON-knop. Het ledlampje knippert groen tijdens het opstarten. Als het ledlampje langzaam groen knippert, is de koppeling voltooid.

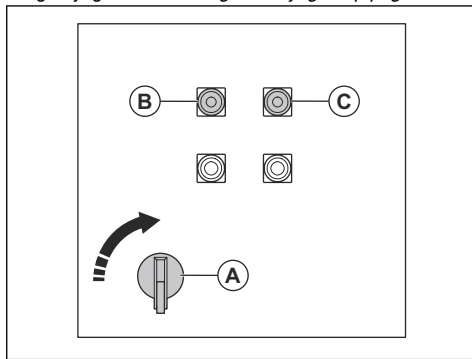


Het product op een stroombron aansluiten

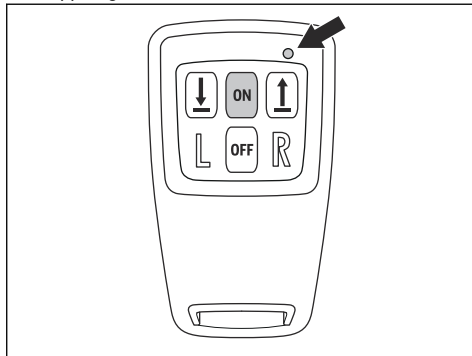
1. Sluit de voedingsstekker van het product aan op een geaard stopcontact of een andere stroombron.
2. Controleer of de netspanning overeenkomt met de spanning die is aangegeven op het productplaatje op het product.

Product starten

1. Sluit het product aan op een stroombron. Zie *Het product op een stroombron aansluiten op pagina 72*.
2. Zet de ON/OFF-schakelaar (A) in de stand ON. Het groene indicatielampje voor regelspanning (B) gaat branden. Als het rode indicatielampje voor fasevolgordefout (C) gaat branden, moet de fasevolgorde in de voedingsstekker worden gewijzigd. Zie *Fasevolgorde wijzigen op pagina 72*.



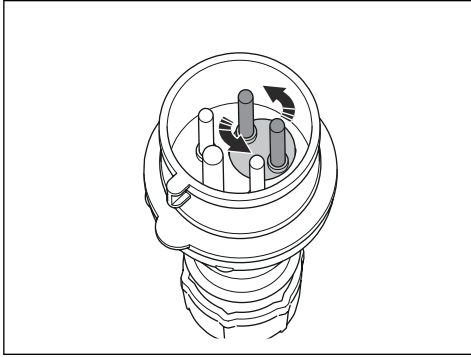
3. Druk op de afstandsbediening op de ON-knop om de afstandsbediening in te schakelen. Het ledlampje knippert groen.



Fasevolgorde wijzigen

1. Zet de ON/OFF-schakelaar in de OFF-stand.
2. Koppel de stekker los van de voeding.

3. Draai de connectoren in de voedingsstekker om de fasevolgorde te wijzigen.



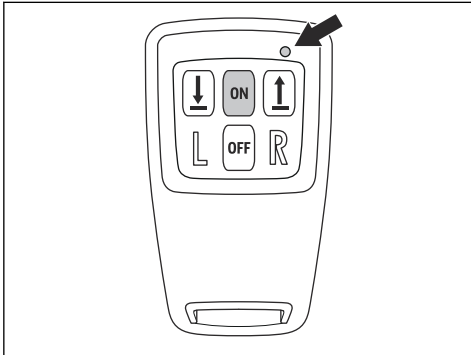
Het product bedienen met de afstandsbediening

Let op: Als de afstandsbediening niet wordt gebruikt, wordt deze na verloop van tijd automatisch uitgeschakeld.

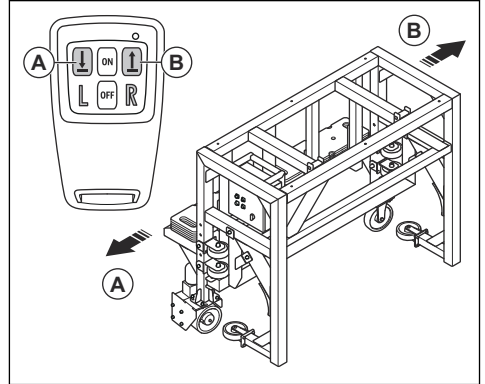


WAARSCHUWING: Rijd niet met het product over de voedingskabel.

1. Start het product. Zie *Product starten op pagina 72*.
2. De afstandsbediening en het product koppelen. Zie *De afstandsbediening en het product koppelen op pagina 72*.
3. Druk op de afstandsbediening op de ON-knop om de afstandsbediening in te schakelen. Het ledlampje knippert groen.

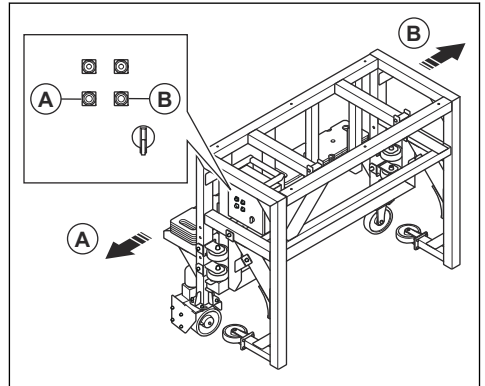


4. Gebruik de linker- en rechter knoppen om het product naar links of rechts te bewegen.



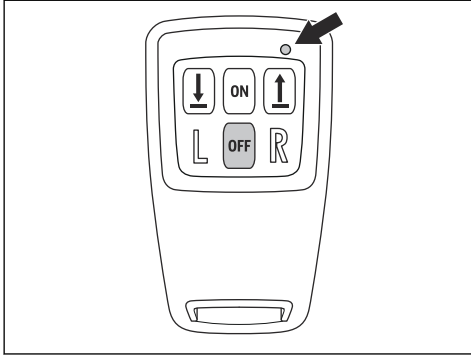
Het product gebruiken via het bedieningspaneel

1. Start het product. Zie *Product starten op pagina 72*.
2. Gebruik de linkerknop (A) om het product naar links te bewegen en de rechterknop (B) om het product naar rechts te bewegen.

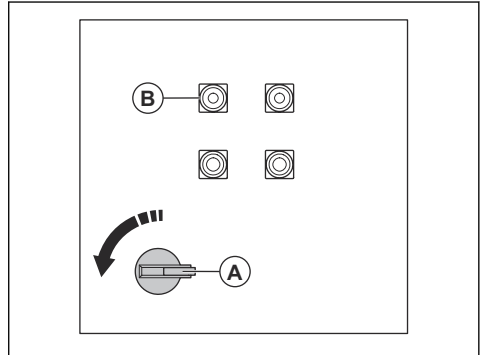


Product stoppen

1. Druk op het product 3 seconden lang op de OFF-knop. Het ledlampje knippert rood voordat de afstandsbediening wordt uitgeschakeld.



2. Zet de ON/OFF-schakelaar (A) in de stand OFF. Het groene indicatielampje voor regelspanning (B) gaat uit.



3. Ontkoppel het product van de voeding.

Onderhoud

Inleiding



WAARSCHUWING: Voordat u onderhoud gaat uitvoeren, dient u het hoofdstuk over veiligheid te lezen en hebben begrepen.



WAARSCHUWING: Draag persoonlijke beschermingsmiddelen als u service en onderhoud uitvoert. Zie *Persoonlijke beschermingsuitrusting op pagina 66*.



WAARSCHUWING: Voordat u het onderhoud uitvoert, moet u de motor stopzetten en de voedingsstekker van de voeding loskoppelen. Zorg dat alle aandrijvingen stoppen en laat het product afkoelen.



WAARSCHUWING: Zorg ervoor dat u onderhoudswerkzaamheden aan het

product uitvoert op een stabiele, horizontale ondergrond. Zorg ervoor dat het product niet kan bewegen.

Voor alle onderhouds- en reparatiewerkzaamheden aan het product is speciale training nodig. Wij garanderen de beschikbaarheid van professionele reparaties en onderhoud. Indien uw dealer geen servicewerkplaats heeft, vraag hem dan naar de dichtstbijzijnde servicewerkplaats.

Zie www.husqvarnaconstruction.com voor meer gedetailleerde informatie.

Onderhoudsschema

* = Algemeen onderhoud uit te voeren door de gebruiker. De instructies zijn niet opgenomen in deze gebruikershandleiding.

X = De instructies zijn opgenomen in deze gebruikershandleiding.

O = De instructies zijn niet opgenomen in deze gebruikershandleiding. Laat onderhoud aan de machine uitvoeren door een erkende servicewerkplaats.

Algemeen productonderhoud	Elke 50 uur	Elke dag	Jaarlijks
Controleer of de bouten, moeren en schroeven goed zijn vastgedraaid. Doe dit ook 12 uur na onderhoud en reparaties.		*	
Controleer de elektrische onderdelen, de kabels en alle aansluitingen op slijtage en beschadiging.		*	
Controleer de elektromotor op slijtage en beschadiging.		*	

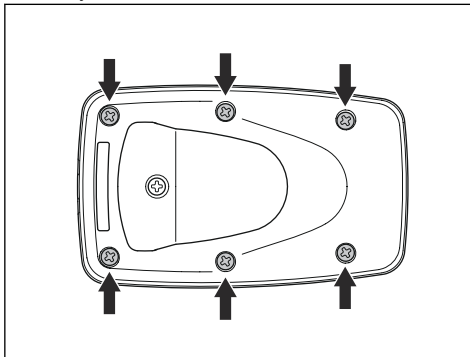
Algemeen productonderhoud	Elke 50 uur	Elke dag	Jaarlijks
Reinig de binnenste onderdelen van de controlekast.		*	
Controleer het RCD.		*	
Onderhoud aan de afstandsbediening uitvoeren. Raadpleeg de handleiding van de fabrikant voor de afstandsbediening.	*	*	*
Vervang het ventilatiefilter van de controlekast.	*		
Inspecteer de aandrijfmotor en de steunwielen.	*		
Voer een visuele inspectie van het product en de hefuitrusting uit.		X	
Reinig het product.		X	
Controleer de veiligheidsvoorzieningen van het product.		X	
Voer een volledige onderhouds- en reinigingsbeurt uit.			O
Laat een bevoegd persoon het product en de veiligheidsvoorzieningen op het product inspecteren.			O
Smeer de staalkabels.		X	

Product reinigen

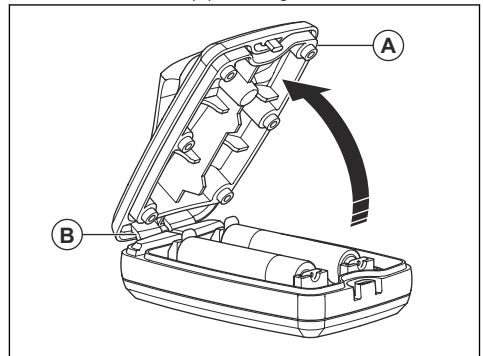
- Reinig na gebruik altijd alle apparatuur. Gebruik een stofzuiger.
- Reinig het product niet met een hogedrukpuit.
- Houd de luchtopeningen schoon en vrij om ervoor te zorgen dat het product altijd een voldoende koude temperatuur heeft.

De batterijen in de afstandsbediening vervangen

1. Verwijder de 6 schroeven.



2. Til de bovenkant (A) van het batterijklepje omhoog en verwijder dit. Het batterijklepje is met scharnieren aan de onderkant (B) bevestigd.



3. Vervang de batterijen. Voor het juiste type batterijen, zie *Technische gegevens op pagina 78*.
4. Bevestig de scharnieren aan de onderkant van het batterijklepje en druk de bovenkant van het batterijklepje omlaag.
5. Monteer de 6 schroeven aan en haal deze aan met 1 Nm.

De staalkabels smeren



OPGELET: Smeer de staalkabels niet met smeermiddelen die molybdeendisulfide (MoS₂) of PTFE bevatten. Gebruik standaard universele olie of smeervet.

1. Verwijder de staalkabels van het product. Zorg ervoor dat u de staalkabels op een schone ondergrond legt.
2. Reinig de staalkabels met een pluivrije doek.
3. Smeer de staalkabels

Probleemoplossing

Om het product te resetten na een bedrijfsfout

1. Laat het product neer op de grond of op een pallet.

2. Zet de ON/OFF-schakelaar op OFF.
3. Druk op de knop OFF op de afstandsbediening.
4. Wacht 15 seconden, zet de ON/OFF-schakelaar op de stand ON en start de afstandsbediening.

Problemen met de afstandsbediening oplossen

Probleem	Oorzaak	Oplossing
Het ledlampje brandt rood.	De spanning in de batterijen is laag.	Vervang de batterijen. Zie <i>De batterijen in de afstandsbediening vervangen op pagina 75</i> .
Led knippert langzaam 3 keer rood.	De batterijen zijn leeg.	Vervang de batterijen. Zie <i>De batterijen in de afstandsbediening vervangen op pagina 75</i> .
Het ledlampje knippert snel rood.	De uitgang in de ontvanger is niet in bedrijf en er is geen signaal van de ontvanger.	Koppel het product. Zie <i>De afstandsbediening en het product koppelen op pagina 72</i> .

Vervoer, opslag en verwerking

Transport



WAARSCHUWING: Wees voorzichtig tijdens het transport. Het product is zwaar en kan als het valt of beweegt letsel of schade veroorzaken.



OPGELET: Sleep het product niet achter een voertuig.

- Zorg dat de voeding is losgekoppeld voor transport.
- Voor transport moet u het product heffen om het te verplaatsen of op een voertuig te plaatsen.
- Hef een beschadigd product niet. Controleer of de hijsogen correct zijn aangebracht en niet beschadigd zijn.
- Gebruik altijd de laagste snelheid wanneer u het product heft.
- De kabels op de hefuitrusting moeten gespannen zijn voordat u het product van de grond heft.
- Loop nooit onder een opgeheven product door en blijf er niet onder of in de buurt staan. Houd omstanders uit de buurt van het werkgebied.
- Zorg ervoor dat u het product en het werkgebied kunt zien wanneer u het product heft.
- Zorg dat het product tijdens het transport wordt beschermd. De bescherming zorgt ervoor

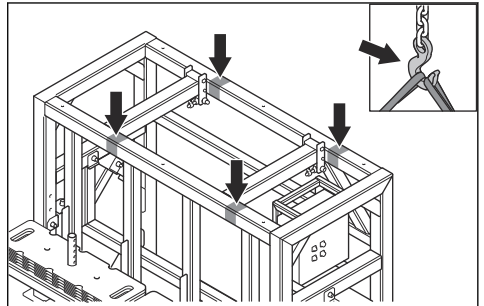
dat het product niet wordt blootgesteld aan natuurverschijnselen zoals regen en sneeuw.

Het product optillen



WAARSCHUWING: Hef het product alleen met hijsuitrusting.

- Bevestig de hijsuitrusting aan de 4 hijspunten van het product.



Het product aan een transportvoertuig bevestigen

Gebruik de hijspunten om het product aan het transportvoertuig te bevestigen.

1. Bevestig de sjobanden in de hijspunten.
2. Bevestig de sjobanden aan het transportvoertuig en haal de sjobanden aan.

Opslag



OPGELET: Sla het product niet buiten op. Bewaar dit product altijd binnen.

- Plaats het product in een droge en koele opslagruimte met een goede luchtstroom.
- Laat het product niet op de vloer staan, laat het product boven de vloer hangen.
- Reinig het product en voer een volledige onderhoudsbeurt uit voordat u het product opslaat.
- Zorg ervoor dat u corrosie voorkomt als u de staalkabels, kettingen en andere stalen hefuitrusting voor langere tijd opbergt.
- Bewaar het product in een afgesloten ruimte om toegang door kinderen of onbevoegde personen te verhinderen.

Het product afvoeren

- Neem de plaatselijk geldende wet- en regelgeving voor recycling in acht.
- Wanneer het product niet langer wordt gebruikt, stuur het dan naar een Husqvarna-dealer of voer het af via een recyclingslocatie.

Technische gegevens

	RIGG 900 FI
Gewicht, excl. conragewicht, kg	580
Gewicht, incl. max. conragewicht, kg	980
Productafmetingen (L×B×H), mm	2315 × 1330 × 1815
Nominale spanning, V	400-460
Nominale frequentie, Hz	50/60
Elektrische aansluiting	16 A, 5-polig
Energieverbruik, aandrijfmotor, kW	0,18
Snelheid, m/min.	0-9
Maximale werklust, kg	1300
Dynamische testcoëfficiënt	1,1
Statische testcoëfficiënt	1,25
Geluidsniveau, dB(A)	<70
Afstandsbediening	
Accutype	2 x AA/LR06 alkaline
Frequentieband, MHz	869
Kanaalscheiding, kHz	25
Functionele gevoeligheid	Beter dan -107 dBm BER 10 ⁻⁴
Transmissieprincipe	GMSK, TDMA
IP-klasse	IP67
Toegestane omgevingstemperatuur, °C	0-45
Opslagtemperatuur, °C	-40-85

Let op: Als voor uw product een elektrische specificatie vereist is die niet in de tabel staat, moet u contact opnemen met een Husqvarna-servicewerkplaats voor meer informatie.

Verklaring inzake geluid- en trillingsemissies

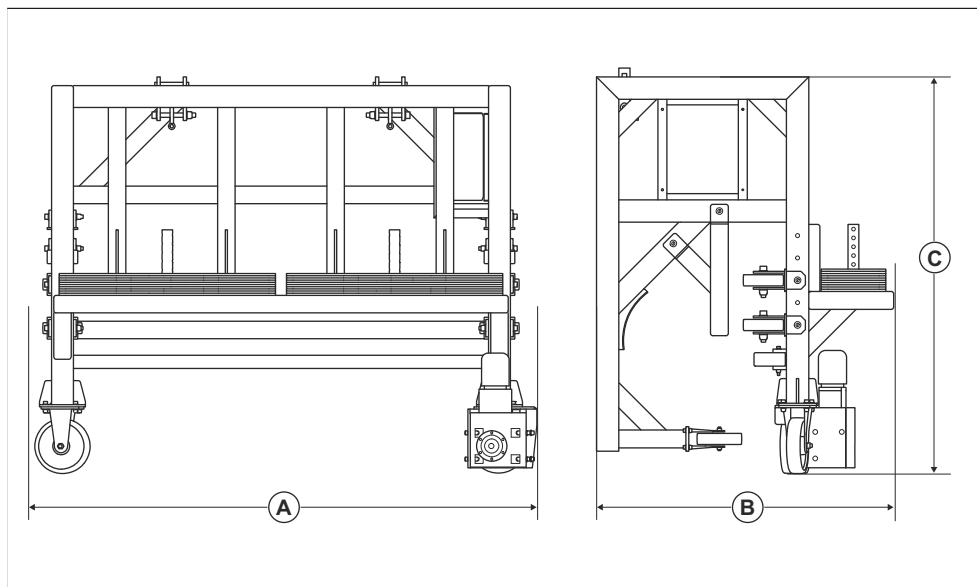
Deze aangegeven waarden zijn verkregen door middel van typeonderzoek in een laboratorium in overeenstemming met de genoemde richtlijn of normen

en zijn geschikt voor vergelijking met aangegeven waarden van andere producten die volgens dezelfde richtlijn of normen zijn getest. Deze aangegeven waarden zijn niet geschikt voor gebruik ten behoeve van risicoanalyses. Waarden die worden gemeten op afzonderlijke werkplekken, kunnen hoger zijn. De werkelijke blootstellingswaarden en het risico op letsel dat een individuele gebruiker ondervindt, zijn uniek en zijn afhankelijk van de manier waarop de gebruiker werkt, het materiaal waarvoor het product gebruikt wordt, de blootstellingstijd en de fysieke toestand van de gebruiker en de toestand van het product.

Verlengkabels

Kabellengte	Dwarsdoorsnede			
	≤ 16 A	≤ 32 A	≤ 63 A	≤ 125 A
Berekend bij een verzekering GG ⁴ :	16 amp	32 amp	63 amp	125 amp
> 20m	1,5 mm ²	2,5 mm ²	10 mm ²	25 mm ²
20m > 50m	2,5 mm ²	4 mm ²	10 mm ²	25 mm ²
50m > 75m	4 mm ²	6 mm ²	16 mm ²	35 mm ²

Productafmetingen



A	Lengte, mm	2315
B	Breedte, mm	1330
C	Hoogte, mm	1814

⁴ De dwarsdoorsnedes moeten opnieuw worden berekend als een ander type verzekering of verzekering met andere afmetingen dan gegeven wordt gebruikt.

Verklaring van overeenstemming

EU-verklaring van overeenstemming

Wij, Husqvarna AB, SE-561 82 Huskvarna,
Zweden, tel: +46- 36-146500, verklaren onder onze
alleenverantwoordelijkheid dat het product:

Beschrijving	Tuigagesysteem
Merk	Husqvarna
Type/model	RIGG 900 FI
Identificatie	Serienummers vanaf 2024 en verder

volledig voldoet aan de volgende EU-richtlijnen en
-regelgeving:

Richtlijn/Verordening	Beschrijving
2006/42/EG	"betreffende machines"
2014/53/EU	"betreffende radioapparatuur"

en dat de volgende normen en/of technische
specificaties zijn toegepast:

EN ISO 12100:2010

EN 60204-1:2018

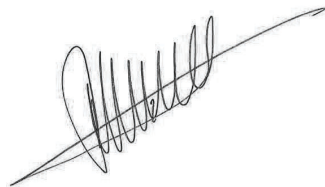
EN ESTI 300 220-1 v3.1.1

ETSI EN 300 220-2 V3.1.1

ETSI EN 301 489-1 V2.2.0

ETSI EN 301 489-3 V2.1.1

Soest, Netherland 2024



René van der Grint

Director CS&F INFRA, Product Category Concrete
Surfaces & Floors

Husqvarna AB, Construction-divisie

Verantwoordelijk voor de technische documentatie,
beschikbaar op Nieuwegracht 9, 3763 LP Soest.





FR

Cet appareil,
ses cordons,
et batterie
se recyclent

À DÉPOSER
EN MAGASIN



OU

À DÉPOSER
EN DÉCHÈTERIE



Points de collecte sur www.quefairedemesdechets.fr
Privilégiez la réparation ou le don de votre appareil !

Husqvarna®

www.husqvarnaconstruction.com

Original instructions
Originalanweisungen
Instructions d'origine
Originele instructies

1143437-20



FR



2024-02-16