



 **Husqvarna**<sup>®</sup>



FS7000 D, FS7000 DL

EN Operator's manual  
ES-MX Manual del usuario  
FR-CA Manuel d'utilisation

2-53  
54-109  
110-166

---

## Contents

---

Introduction.....	2	Troubleshooting.....	41
Safety.....	10	Transportation, storage and disposal.....	42
Operation.....	15	Technical data.....	46
Maintenance.....	29	Accessories.....	53

---

## Introduction

---

### California Proposition 65



## WARNING

The engine exhaust from this product contains chemicals known to the State of California to cause cancer, birth defects or other reproductive harm.

### Owner responsibility

Wet cut to minimize dust emissions.



**WARNING:** Cutting, especially when DRY cutting, generates dust that comes from the material being cut, which frequently contains silica. Silica is a basic component of sand, quartz, brick clay, granite and numerous other minerals and rocks.

Exposure to excessive amount of such dust can cause:

Respiratory disease (affecting your ability to breathe), including chronic bronchitis, silicosis and pulmonary fibrosis from exposure to silica. These diseases may be fatal;

Skin irritation and rash.

Cancer according to NTP\* and IARC\* \*/ National Toxicology Program, International Agency for Research on Cancer.

Take precautionary steps:

Avoid inhalation of and skin contact with dust, mist and fumes.

Wear and ensure that all bystanders wear appropriate respiratory protection such as dust masks designed to filter out microscopic particles. (See OSHA 29 CFR Part 1926.1153)

It is the owner's/employer's responsibility that the operator has sufficient knowledge about how to use the product safely. Supervisors and operators must have read and understood the Operator's Manual. They must be aware of:

- The products's safety instructions.
- The products's range of applications and limitations.
- How the product is to be used and maintained.

National/Local regulations could restrict the use of this product. Find out what regulations are applicable where you work before you start using the product.

### Product description

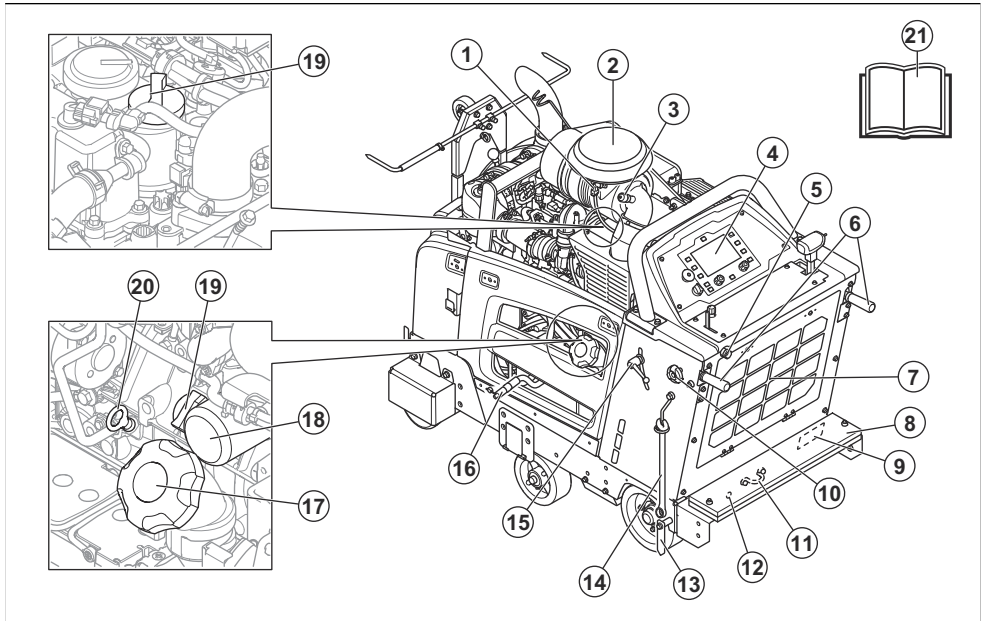
The product is a walk behind floor saw with a combustion engine. The product has an adjustable pointer that lets you see the operation clearly and makes it easy to cut straight. The product has a control panel with a digital display that monitors all functions.

### Intended use

This product is used with diamond blades for wet cutting to cut hard floor surface materials such as concrete, asphalt and stone. All other use is incorrect.

The product is used in industrial operations by operators with experience.

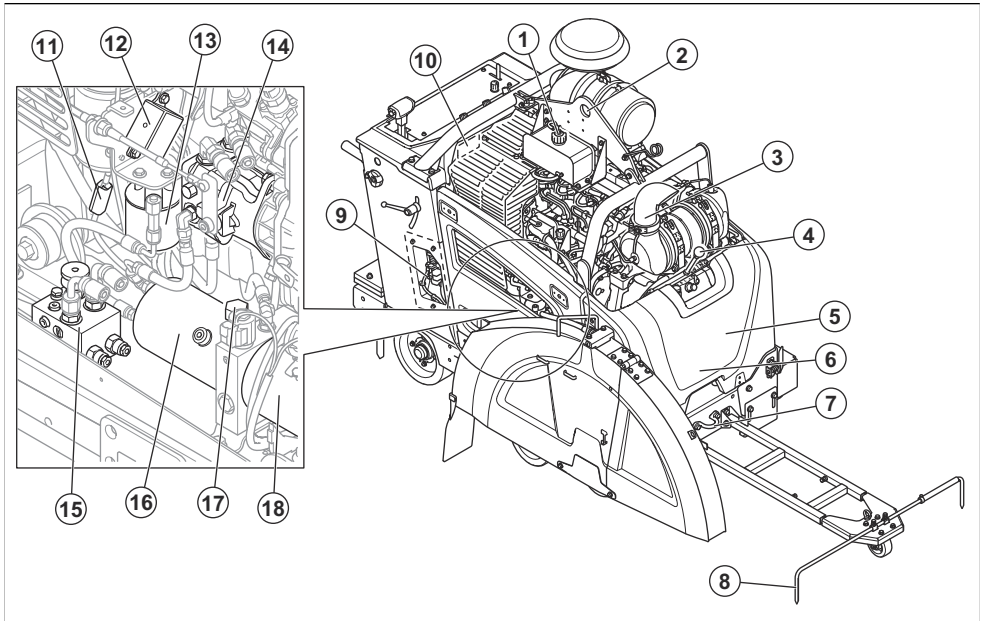
## Product overview, left side (FS7000 D)



**Note:** The product can have different configurations. Thus, the appearance of the product can be different from the product overview.

1. Ambient temperature sensor
2. Air filter
3. Air filter indicator
4. Control panel and display
5. Water inlet
6. Operation handles
7. Radiator air filter
8. Weight kit
9. Type plate for EU
10. Locking knob for operation handles, adjustment in length
11. Rear tie-down bracket
12. Manual axle adjustment
13. Rear pointer
14. Blade shaft wrench
15. Locking knob for operation handles, adjustment in height
16. Drain hose for engine oil
17. Fuel tank cap
18. Engine oil filter
19. Oil tank cap for engine oil
20. Engine oil dipstick
21. Operator's manual

## Product overview, right side (FS7000 D)

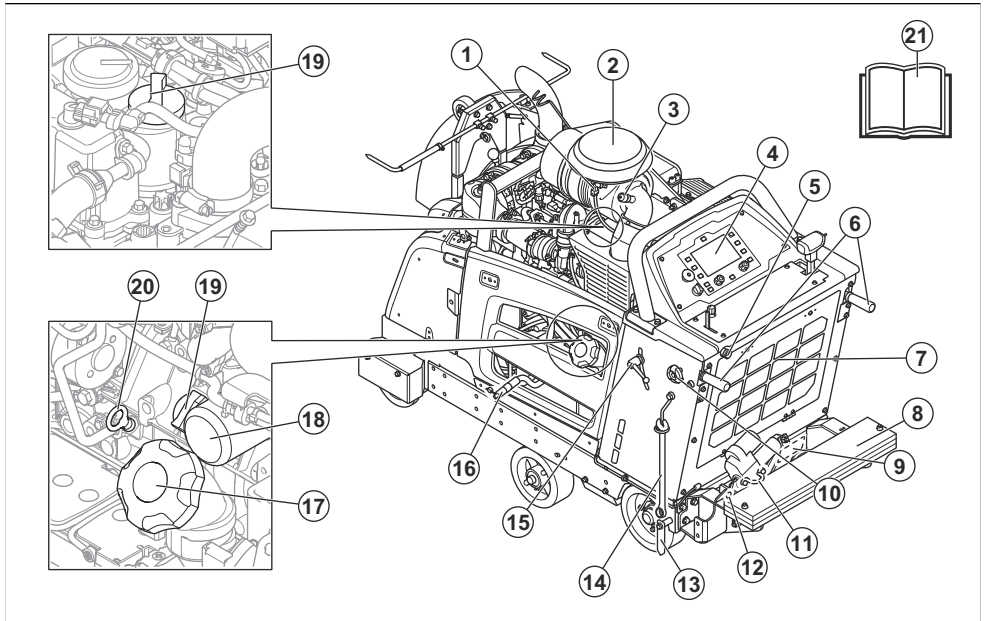


**Note:** The product can have different configurations. Thus, the appearance of the product can be different from the product overview.

1. Radiator coolant lid
2. Lifting eye
3. Muffler
4. Gearshift lever, 3-speed gearbox model
5. Bolts for belt tension, behind the protective cover
6. Water drain valve for the gearbox, behind the protective cover
7. Front tie-down bracket
8. Adjustable pointer
9. Relay and fuse box
10. Type plate for US/Canada
11. Glow plug fuse
12. Glow plug relay
13. Hydraulic system filter
14. Pump for the hydrostatic transmission
15. Transmission bypass valve
16. Hydraulic reservoir
17. Hydraulic reservoir opening
18. Pump for the hydraulic lift



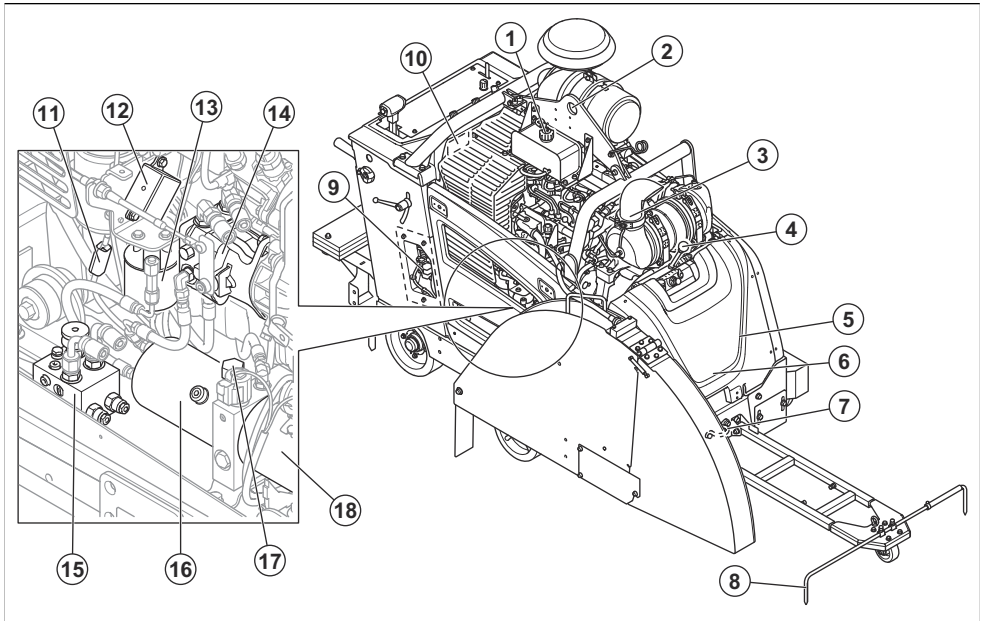
## Product overview, left side (FS7000 DL)



**Note:** The product can have different configurations. Thus, the appearance of the product can be different from the product overview.

1. Ambient temperature sensor
2. Air filter
3. Air filter indicator
4. Control panel and display
5. Water inlet
6. Operation handles
7. Radiator air filter
8. Weight kit
9. Type plate for EU
10. Locking knob for operation handles, adjustment in length
11. Rear tie-down bracket
12. Manual axle adjustment
13. Rear pointer
14. Blade shaft wrench
15. Locking knob for operation handles, adjustment in height
16. Drain hose for engine oil
17. Fuel tank cap
18. Engine oil filter
19. Oil tank cap for engine oil
20. Engine oil dipstick
21. Operator's manual

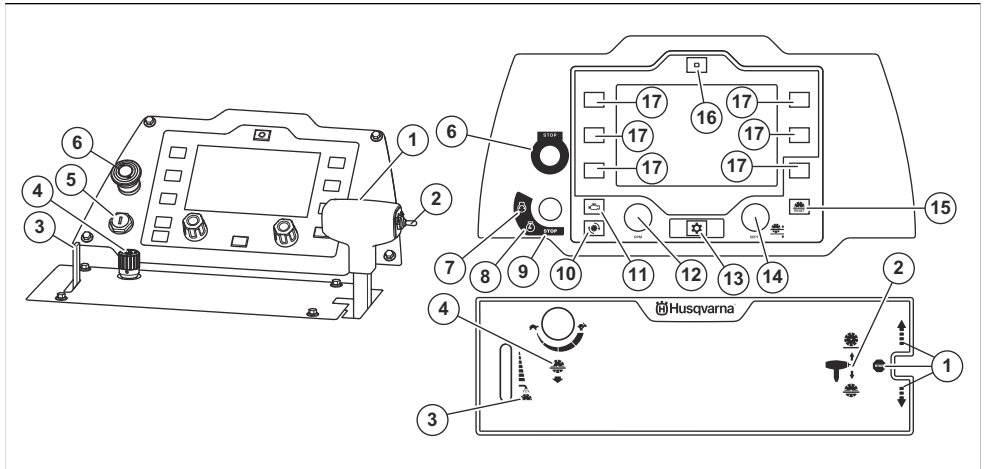
## Product overview, right side (FS7000 DL)



**Note:** The product can have different configurations. Thus, the appearance of the product can be different from the product overview.

1. Radiator coolant lid
2. Lifting eye
3. Muffler
4. Gearshift lever, 3-speed gearbox model
5. Bolts for belt tension, behind the protective cover
6. Water drain valve for the gearbox, behind the protective cover
7. Front tie-down bracket
8. Adjustable pointer
9. Relay and fuse box
10. Type plate for US/Canada
11. Glow plug fuse
12. Glow plug relay
13. Hydraulic system filter
14. Pump for the hydrostatic transmission
15. Transmission bypass valve
16. Hydraulic reservoir
17. Hydraulic reservoir opening
18. Pump for the hydraulic lift

## Overview of the controls and the control panel



1. Lever for speed control. Forward, rearward and transmission stop \*
2. Switch for cutting depth adjustment \*
3. Lever for the water cooling system for the cutting blade \*
4. Knob for adjustment of the blade lowering speed \*
5. Engine start switch
6. Machine stop button \*
7. Engine start position \*
8. Ignition on position \*
9. Engine stop position \*
10. Button to show blade speed in rpm on the display \*
11. Button to show engine speed in rpm on the display \*
12. Knob for the throttle control
13. Menu button \*
14. Knob for adjustment of the blade depth stop \*
15. Reset button for the blade depth stop \*
16. E-track reset button \* (optional)
17. Selection button

\* = Refer also to *Symbols on the product on page 7*.

### Symbols on the product



**WARNING:** This product can be dangerous and cause serious injury or death to the operator or others. Be careful and use the product correctly.



Read the operator's manual carefully and make sure that you understand the instructions before you use this product.



Use hearing protection, eye protection and respiratory protection. Refer to *Personal protective equipment on page 12*.



All displacement of the machine outside the cutting area shall be carried out with the tool not in rotation.



Remove the cutting blade before transportation and before you lift the product, to prevent damage to the cutting blade.



The blade guards must always be installed on the product. Do not let more than 180° of the cutting blade show.



Make sure that the cutting blade is not blunt or has damages, such as cracks.



Make sure that the cutting blade is applicable to the same speed or a higher speed than the value given on the product type plate. A cutting blade that is operated at too high speed can break and cause injury or damage.



Do not use the product near flammable material or gases.



The dust can cause health problems. Use an approved respiratory protection. Do not breathe exhaust fumes. Do not use a combustion engine product indoors or in areas that do not have sufficient airflow.



Hot surface.



Keep body parts away from the cutting blade and other moving parts.



Risk of cut injuries. Keep all body parts away from the cutting blade.



Ultra-low-sulfur diesel fuel only.



Engine oil.



Dipstick.



Do not lift the saw when you examine the engine oil level.



Make sure that the saw is level without cutting blade when you examine the engine oil level.



The arrow on the blade guard shows the direction of rotation of the cutting blade.



Always lift the product at the lifting eye.



Transmission stop.



Switch for cutting depth adjustment.



Lever for the water cooling system.



Knob for adjustment of the blade lowering speed.



Slow.



Fast.



Machine stop.



Engine starts.



Ignition on.

**STOP**

Engine stops.



Show blade speed in rpm on the display.



Show engine speed in rpm on the display.



Menu button.



Knob for adjustment of the blade depth stop.



Reset button for the blade depth stop.



Reset button for the E-track adjustment (optional).



This product complies with applicable EC Directives.



Noise emission to the environment complies with applicable EC Directives. The noise emission of the product is specified in *Personal protective equipment on page 12* and on the label.

**Note:** Other symbols/decals on the product refer to certification requirements for some markets.

## Symbols on the control panel display



E-track adjustment, left (optional).



E-track adjustment, right (optional).



Water safety system ON/OFF. The water safety system monitors the water pressure to the water cooling system for the cutting blade. If the water pressure decreases, the water safety system stops the cutting blade.



Engage/disengage blade clutch. This function is not standard on all product variants.



Blade depth stop.

## Warning symbols on the control panel display



Machine stop engaged. Reset the machine stop button and cycle ignition.



The battery does not charge.



Low fuel level.



Preheating. Refer to the engine manual for more information.



No water pressure to the water cooling system for the cutting blade.



Low engine oil pressure.



Engine stop. The operation cannot continue.



Engine too hot. The operation cannot continue. Refer to the engine manual for more information.



Moderate engine problem. The operation can continue.



Engine failure. Refer to the engine manual for more information.



Regeneration is necessary. Refer to *Regeneration on page 40*. Only applicable for products that comply with the Euro V Emission standard.



Replace the diesel particulate filter (DPF). Refer to *Replace the diesel particulate filter on page 41*. Only applicable for products that comply with the Euro V Emission standard.



Error code not related to the engine.

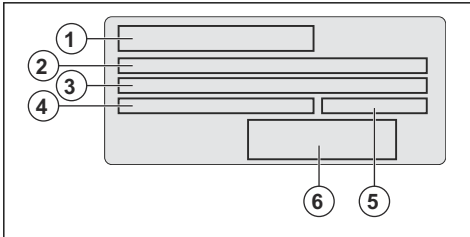


Failure in the NOx Diagnostic Control System. Only applicable for products that comply with the Euro V Emission standard.



Water in the fuel.

## Type plate US/Canada



1. Brand
2. Product number
3. Model
4. Serial number
5. Production date, year, week

6. Manufacturer, address, phone number

## Product damage

We are not responsible for damages to our product if:

- the product is incorrectly repaired.
- the product is repaired with parts that are not from the manufacturer or not approved by the manufacturer.
- the product has an accessory that is not from the manufacturer or not approved by the manufacturer.
- the product is not repaired at an approved service center or by an approved authority.

## CALIFORNIA AIR RESOURCES BOARD (CARB)

**Note:** This machine is considered a preempt Off-Road Application as relating to CARB standards. The U.S EPA has sole authority to establish emission standards for preempt construction equipment.

## EPA Tier 4 Final Emissions

The product complies with the exhaust emission standard Tier 4 Final.

## Safety

### Safety definitions

Warnings, cautions and notes are used to point out specially important parts of the manual.



**WARNING:** Used if there is a risk of injury or death for the operator or bystanders if the instructions in the manual are not obeyed.



**CAUTION:** Used if there is a risk of damage to the product, other materials or the adjacent area if the instructions in the manual are not obeyed.

**Note:** Used to give more information that is necessary in a given situation.

### General safety instructions



**WARNING:** Read the warning instructions that follow before you use the product.

- This product is a dangerous tool if you are not careful or if you use the product incorrectly. This

product can cause serious injury or death to the operator or others. Before you use the product, you must read and understand the contents of this operator's manual.

- Save all warnings and instructions.
- Comply with all applicable laws and regulations.
- The operator and the employer of the operator must know and prevent the risks during operation of the product.
- Do not let a person operate the product unless they read and understand the contents of the operator's manual.
- Do not operate the product unless you receive training before use. Make sure that all operators receive training.
- Only let approved persons operate the product.
- The operator is responsible for accidents that occur to other persons or their property.
- Do not use the product if you are tired, ill, or under the influence of alcohol, drugs or medicine.
- Always be careful and use your common sense.
- This product produces an electromagnetic field during operation. This field can under some circumstances interfere with active or passive medical implants. To decrease the risk of serious injury or death, we recommend persons with medical implants to speak to their physician and the medical implant manufacturer before operating this product.

- Keep the product clean. Make sure that you can clearly read signs and decals.
- Do not use the product if it is defective.
- Do not do modifications to this product.
- Do not operate the product if it is possible that other persons have done modifications to the product.

## Safety instructions for operation

---



**WARNING:** Read the warning instructions that follow before you use the product.

- Read the warning instructions that are supplied with the cutting blade by the cutting blade manufacturer.
- Make sure that the product is assembled correctly.
- Do not operate the product without the blade guard and the protective covers installed.
- Incorrect operation of the product can cause the cutting blade to break and cause injury or damage.
- Make sure that you know how to stop the engine quickly in an emergency.
- Use personal protective equipment. Refer to *Personal protective equipment on page 12*.
- Make sure that only approved persons are in the work area.
- Make sure that electrical cables in the work area are not live.
- Keep the work area clean and bright.
- Before you operate the product, find out if there are hidden wires, cables and pipes in the work area. If the product hits a hidden object, stop the engine immediately and examine the product and the object. Do not start to operate the product again until you know that it is safe to continue.
- Do not use the product in bad weather conditions, such as thick fog, heavy rain, strong wind or intense cold. To do work in bad weather makes you tired and can cause dangerous conditions, for example slippery surfaces.
- Make sure that you are in a safe and stable position during operation.
- Do not use the product in areas where fire or explosions can occur.
- The product can cause objects to eject at high speed. Make sure that all persons in the work area use approved personal protective equipment. Remove loose objects from the work area.
- The exhaust fumes from the engine contain carbon monoxide which is an odourless, poisonous and very dangerous gas. Do not use a combustion engine product indoors or in areas that do not have sufficient airflow.
- Before you go away from the product, stop the engine and make sure that there is no risk of accidental start.
- The product does not have a parking brake. Do not go away from the product if it is on a slope. If it is

necessary to park the product on a slope, make sure that the product is sufficiently attached and cannot move.

- Be very careful during operation on slopes. The product is heavy and can cause serious injury if it falls.
- Make sure that no material can become loose and cause injury to the operator.
- Make sure that clothes, long hair and jewelry do not get caught in moving parts.
- Do not operate the product unless you can get aid if an accident occurs.

## Exhaust fumes safety

---



**WARNING:** Read the warning instructions that follow before you use the product.

- The exhaust fumes from the engine contain carbon monoxide which is an odourless, poisonous and very dangerous gas. To breathe carbon monoxide can cause death. Because carbon monoxide is odourless and cannot be seen, it is not possible to sense it. A symptom of carbon monoxide poisoning is dizziness, but it is possible that a person becomes unconscious without warning if the quantity or concentration of carbon monoxide is sufficient.
- Exhaust fumes that you can see or smell also contain carbon monoxide.
- Do not use a combustion engine product indoors or in areas that do not have sufficient airflow.

## Vibration safety

---



**WARNING:** Read the warning instructions that follow before you use the product.

- During operation of the product, vibrations go from the product to the operator. Regular and frequent operation of the product can cause or increase the degree of injuries to the operator. Injuries can occur in fingers, hands, wrists, arms, shoulders, and/or nerves and blood supply or other body parts. The injuries can be debilitating and/or permanent, and can increase gradually during weeks, months or years. Possible injuries include damage to the blood circulation system, the nervous system, joints, and other body structures.
- Symptoms can occur during operation of the product or at other times. If you have symptoms and continue to operate the product, the symptoms can increase or become permanent. If these or other symptoms occur, get medical aid:
  - Numbness, loss of feeling, tingling, pricking, pain, burning, throbbing, stiffness, clumsiness, loss of strength, changes in skin color or condition.

- Symptoms can increase in cold temperatures. Use warm clothing and keep your hands warm and dry when you operate the product in cold environments.
- Do maintenance on and operate the product as given in the operator's manual, to keep a correct vibration level.
- Keep your hands on the handle or handles only. Keep all other body parts away from the product.
- Stop the product immediately if strong vibrations suddenly occurs. Do not continue the operation before the cause of the increased vibrations is removed.

## Noise safety



**WARNING:** Read the warning instructions that follow before you use the product.

- High noise levels and long-term exposure to noise can cause noise-induced hearing loss.
- To keep the noise level to a minimum, do maintenance on and operate the product as given in the operator's manual.
- Examine the muffler for damages and defects. Make sure that the muffler is correctly attached to the product.
- Use approved hearing protection while you operate the product.
- Listen for warning signals and voices when you use hearing protection. Remove the hearing protection when the product is stopped, unless hearing protection is necessary for the noise level in the work area.

## Personal protective equipment



**WARNING:** Read the warning instructions that follow before you use the product.

- Always use approved personal protective equipment when you operate the product. Personal protective equipment cannot fully prevent injury but it decreases the degree of injury if an accident does occur. Let your dealer help you select the correct personal protective equipment.
- Regularly do a check of the condition of the personal protective equipment.
- Use an approved protective helmet.
- Use approved hearing protection.
- Use approved respiratory protection.
- Use approved eye protection with side protection. There is a high risk of eye injury from thrown objects.
- Use protective gloves.
- Use boots with steel toe-cap and non-slip sole.
- Use approved work clothing or equivalent close-fitting clothing that has long sleeves and long legs.

## Fire extinguisher

- Keep a fire extinguisher near during operation.
- Use a powder fire extinguisher of "ABE" class or a carbon dioxide fire extinguisher of "BE" type.

## Safety devices on the product

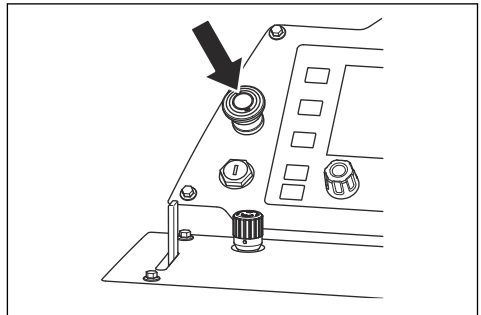


**WARNING:** Read the warning instructions that follow before you use the product.

- Do not use a product with defective safety devices.
- Do a check of the safety devices regularly. If the safety devices are defective, speak to your Husqvarna service agent.

## Machine stop button

The machine stop button quickly stops the engine and all electrical functions but not the lights. The machine stop button sets the product in safe mode. The product cannot start again until the safe mode is reset.



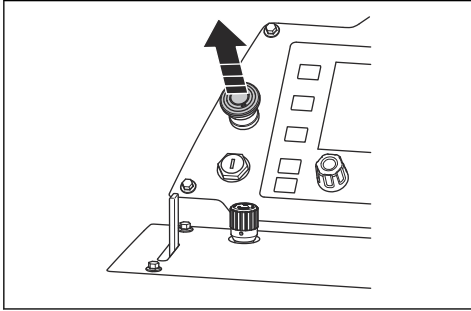
**Note:** Do not use the machine stop button to stop the product unless there is an emergency. For correct procedure how to stop the product during operation, refer to *To stop the product on page 29*.

## To do a check of the machine stop button

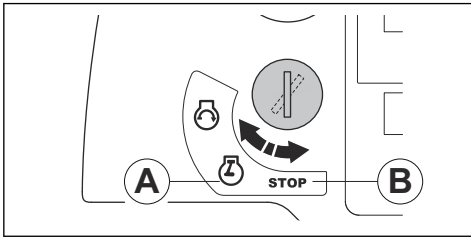
1. Start the engine. Refer to *To start the product on page 25*.
2. Push the machine stop button. The engine stops and the product is set to safe mode.



3. Pull out the machine stop button to reset the machine stop.



4. To reset the safe mode, turn the engine start switch to engine stop position (B) and then to ignition on position (A).



### Blade guard

The blade guard is a protective cover for the top part of the cutting blade. It gives protection if parts from a damaged cutting blade or other objects eject in the direction of the operator. The blade guard prevents injury from the cutting blade. The blade guard is also a part of the water cooling system that keeps the cutting blade cool during operation.

#### To do a check of the blade guard

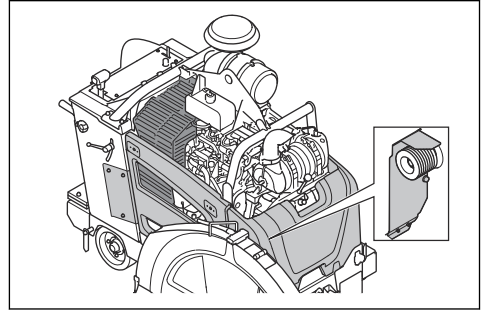
- Make sure that the blade guard is correctly installed. Refer to *To install a blade guard (FS7000 D, FS7000 DL, 20-42 in.) on page 19* or *To install a blade guard (FS7000 DL, 48-60 in.) on page 19*.
- Examine the blade guard for damages, such as cracks.
- Replace a damaged blade guard.
- Replace the blade guard if it is hit, bent or has other defects.
- Examine the blade guard lock for damages.
- Make sure that the blade guard lock is correctly engaged.

### Protective covers

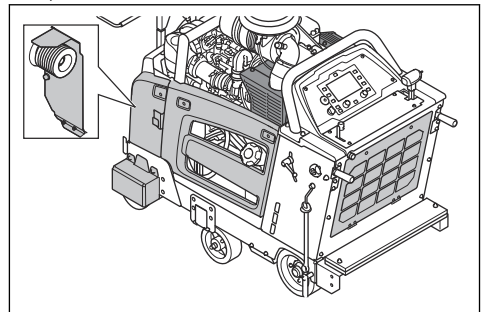
Missing or damaged protective covers increase the risk of injury on moving parts and hot surfaces.

### To do a check of the protective covers

- Do a check of the protective covers before you operate the product.
  - a) Front and right side:



- b) Rear and left side:



- Make sure that the protective covers are correctly attached and do not have cracks or other damages.
- Replace damaged protective covers.

### Muffler

The muffler keeps the noise levels to a minimum and sends the exhaust fumes away from the operator.

Do not use the product if the muffler is missing or defective. A defective muffler increases the noise level and the risk of fire.



**WARNING:** The muffler becomes very hot during and after use and when the engine operates at idle speed. Be careful near flammable materials and/or fumes to prevent fire.

#### To do a check of the muffler

- Examine the muffler regularly to make sure that it is attached correctly and not damaged.



**CAUTION:** Do not change the muffler. The muffler is of DOC type and a part of emissions compliance.

## Fuel safety

---



**WARNING:** Read the warning instructions that follow before you use the product.

- Fuel is flammable and the fumes are explosive. Be careful with fuel to prevent injury, fire and explosion.
- Do not breathe in the fuel fumes. The fuel fumes are poisonous and can cause injury. Make sure that the airflow is sufficient.
- Do not remove the fuel tank cap or fill the fuel tank when the engine is on.
- Let the engine become cool before you refuel.
- Do not fill fuel in an indoor area. Not sufficient airflow can cause injury or death because of asphyxiation or carbon monoxide.
- Do not smoke near the fuel or the engine.
- Do not put hot objects near the fuel or the engine.
- Do not fill fuel near sparks or flames.
- Before you refuel, open the fuel tank cap slowly and release the pressure carefully.
- Fuel on your skin can cause injury. If you get fuel on your skin, use soap and water to remove the fuel.
- If you spill fuel on your clothing, change clothing immediately.
- Do not fill the fuel tank fully. Heat causes the fuel to expand. Keep a space at the top of the fuel tank.
- Tighten the fuel tank cap fully. If the fuel tank cap is not tightened, there is a risk of fire.
- Before you start the product, move the product to a minimum of 3 m/10 ft from where you refueled.
- Do not start the product if there is fuel or engine oil on the product. Remove the unwanted fuel and engine oil and let the product dry before you start the engine.
- Examine the engine for leaks regularly. If there are leaks in the fuel system, do not start the engine until the leaks are repaired.
- Do not use your fingers to examine the engine for leaks.
- Keep fuel in approved containers only.
- When the product and fuel is in storage, make sure that fuel and fuel fumes cannot cause damage.
- Drain the fuel in an approved container outdoors and away from sparks and flames.

## Battery safety

---



**WARNING:** A damaged battery can cause an explosion and cause injury. If the battery has a deformation or is damaged,

speak to an approved Husqvarna service agent.



**WARNING:** Read the warning instructions that follow before you use the product.

- Use protective glasses when you are near batteries.
- Do not wear watches, jewelry or other metal objects near the battery.
- Keep the battery out of reach for children.
- Charge the battery in a space with good airflow.
- Keep flammable materials at a minimum clearance of 1 m when you charge the battery.
- Discard replaced batteries. See *Disposal on page 45*.
- Explosive gases can come from the battery. Do not smoke near the battery. Keep the battery away from open flames and sparks.

## Safety instructions for maintenance

---



**WARNING:** Read the warning instructions that follow before you use the product.

- Use personal protective equipment. Refer to *Personal protective equipment on page 12*.
- If the maintenance is not done correctly and regularly, the risk of injury and damage to the product increases.
- Stop the engine and let the product become cool before you do the maintenance.
- Clean the product to remove dangerous material before you do the maintenance.
- Disconnect the spark plug cap before you do the maintenance.
- The exhaust fumes from the engine are hot and can contain sparks. Do not operate the product in indoor areas or near flammable material.
- Do not change the product. Modifications that are not approved by the manufacturer, can cause serious injury or death.
- Always use original accessories and spare parts. Accessories and spare parts that are not approved by the manufacturer, can cause serious injury or death.
- Replace damaged, worn or broken parts.
- Only do the maintenance as given in this operator's manual. Let an approved service center do all other servicing.
- Remove all tools from the product before you start the engine after maintenance. Loose tools or tools attached to rotating parts can eject and cause injury.
- Let an approved service center do servicing on the product regularly.

---

# Operation

---

## Introduction



**WARNING:** Read and understand the safety chapter before you use the product.

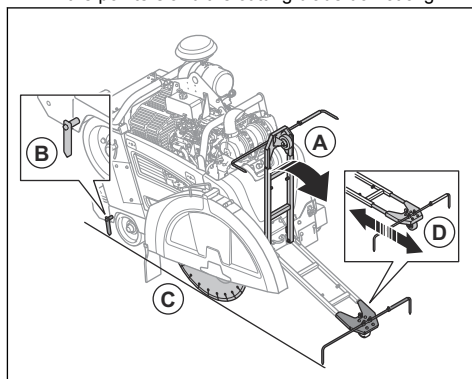
## To do before you operate the product

- Read this operator's manual carefully and make sure that you understand the instructions.
- Read the operator's manual for the control panel carefully and make sure that you understand the instructions.
- Read the engine manual that is supplied by the engine manufacturer.
- Read the instructions that are supplied with the cutting blade by the cutting blade manufacturer.
- Before you start the product for the first time, do these steps:
  - a) Install a new battery and connect the battery cables. Refer to *To connect and disconnect the battery on page 39*.

**Note:** For some markets, the battery is installed when you purchase the product.

- b) Set the correct language and do other necessary settings on the control panel. Refer to the operator's manual for the control panel.
- Before each operation of the product, do these steps:
    - a) Do the daily maintenance. Refer to *Maintenance schedule on page 29*.
    - b) Make line marks for all cuts. Prepare the operation sequence carefully to prevent injury and damage.
    - c) Adjust the operation handles to an applicable operation position. Refer to *To adjust the position of the operation handles on page 16*.

- d) Lower the adjustable pointer (A) and make sure that it aligns with the rear pointer (B), the cutting blade and the line mark on the surface (C). Refer to *To do a check of the pointers on page 15* if the pointers and the cutting blade do not align.



- e) If it is necessary, adjust the length of the adjustable pointer with the screws on the adjustable pointer (D).

## To do a check of the pointers

1. Put a long straight metal bar or equivalent flat against the cutting blade.

**Note:** As an alternative to a straight metal bar, you can use the cord for the adjustable pointer. Attach the cord to the rear pointer and hold it along the side of the product, against the cutting blade.

2. Make sure that the rear pointer, the cutting blade and the adjustable pointer align.
  - a) Adjust the adjustable pointer with the screws.
  - b) To adjust the rear pointer, tap it with a mallet.

## Cutting blades



**WARNING:** Do not use a cutting blade for other materials than which it is made for.



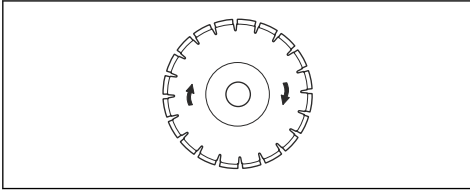
**WARNING:** Only use diamond blades for wet cutting. The diamond blade must be applicable to the same speed or a higher speed than the value given on the product type plate. Only use diamond blades that are in compliance with national or regional standards, for example EN13236 or ANSI B7.1.

The cutting blade manufacturer gives warnings and recommendations for the operation and correct maintenance of the cutting blade. Those warnings are supplied with the cutting blade.

## Diamond blades



**WARNING:** Make sure that the diamond blade rotates in the direction of the arrows shown on the diamond blade.



**CAUTION:** Always use a sharp diamond blade.

There is a wide range of diamond blades that is used for different operations. From new made concrete to concrete and asphalt that has become hard and for different hardness classes.

Diamond blades have a steel core with segments that are made of industrial diamonds.

## Water cooling system

Always use water during operation to keep the temperature of the diamond blades down. The water cooling system also increases the lifetime of the diamond blades and prevents dust buildup.

Make sure that the water supply is not clogged.

## To sharpen the diamond blades

Diamond blades can become blunt if you use an incorrect feeding pressure or when you cut materials such as hard reinforced concrete. If you use a blunt diamond blade it becomes too hot, which can cause the diamond segments to come loose.

- Decrease the cutting depth and the engine speed for a short time to sharpen the diamonds on the diamond blade.

## Diamond blades for wet cutting



**CAUTION:** Always use a blade flange dimension that is specified for the current blade dimension. Do not use blade flanges that are damaged.

During the operation, the friction causes the diamond blade to become very hot. If the diamond blade

becomes too hot, it will decrease the blade tension or make the core crack.

Let the diamond blade become cool before you touch it.

- Diamond blades for wet cutting must be used with water to keep the diamond blade core and segments cool during cutting. Diamond blades for wet cutting can not be used dry.
- If you use diamond blades for wet cutting without water, the diamond blade can become too hot. This gives bad performance, blade damage and is a safety risk.

## To fill fuel



**CAUTION:** Always use correct fuel type. Incorrect fuel type causes damage to the product.

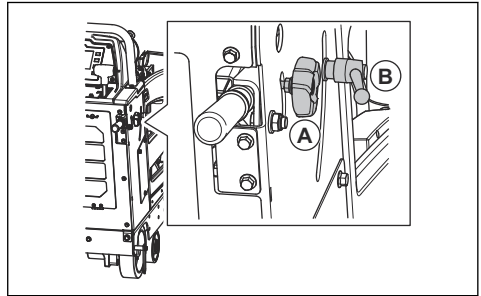


**CAUTION:** Do not use biodiesel. Biodiesel causes damage to the fuel hoses.

- Use diesel fuel of the correct type. Refer to *Technical data on page 46*. For more information about the fuel, refer to the engine manual supplied by the engine manufacturer.

## To adjust the position of the operation handles

1. To adjust the length of the operation handles, loosen the locking knob (A).



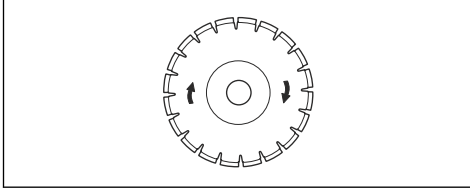
2. Adjust the operation handles to applicable operation length.
3. Tighten the locking knob (A).
4. To adjust the height of the operation handles, turn the locking knob (B) counterclockwise.
5. Adjust the operation handles to applicable operation height.
6. Turn the locking knob (B) clockwise to lock the operation handles in position.

## To install a cutting blade

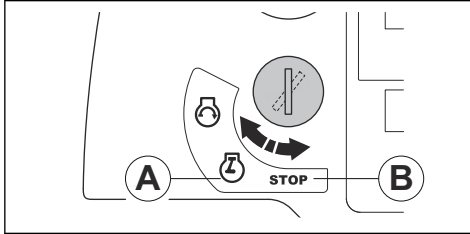
Read the section *Product configuration for different blade dimensions on page 20* before you install a cutting blade.



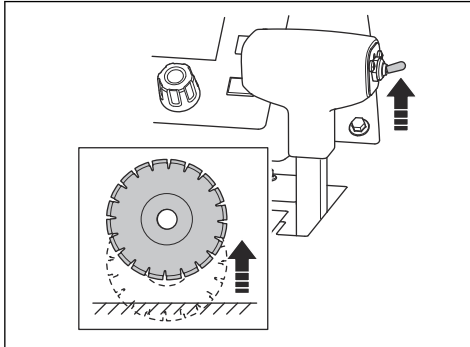
**CAUTION:** Risk of damage to the cutting blade if it is installed opposite the direction of rotation. Make sure that the cutting blade rotates in the direction of the arrows shown on the cutting blade.



1. Set the engine start switch to ignition on position (A).

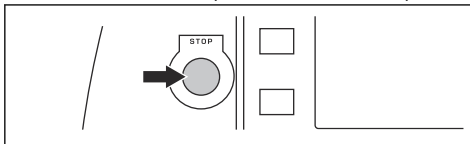


2. Push the switch for cutting depth adjustment up to lift the cutting blade.

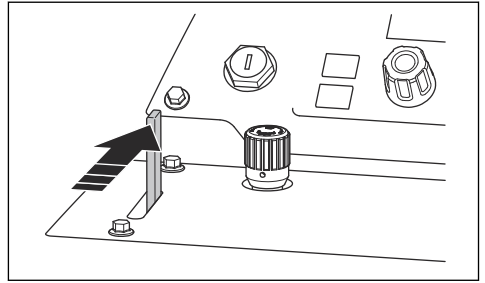


3. Set the engine start switch to stop position (B).

4. Push the machine stop button on the control panel.

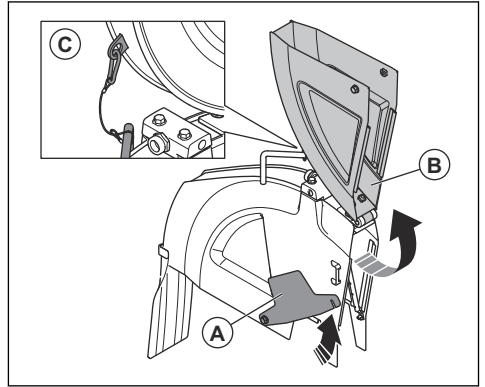


5. Close the water valve.



6. Open the blade guard:

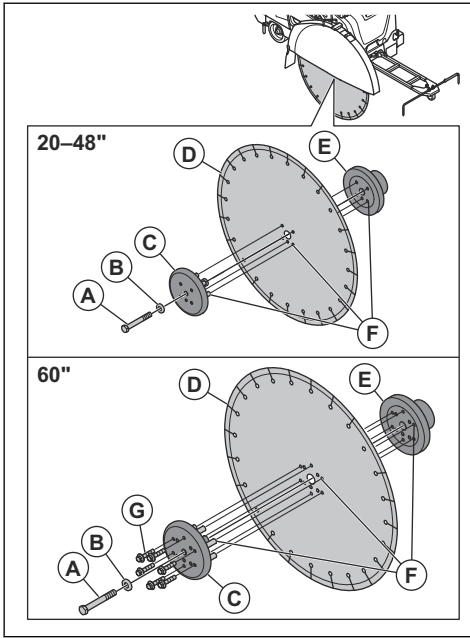
a) Loosen the bolt or bolts on the blade guard and lift the blade guard latch (A).



**Note:** Blade guards with dimension 20-42 in. have 1 bolt. Blade guards with dimension 48-60 in. have 2 bolts.

b) Lift the blade guard front (B) and lock the blade guard in upright position with the wire and carabiner (C).

7. Remove the blade shaft bolt (A).



**Note:** The blade shaft bolt on the right side of the product has a left thread. The blade shaft bolt on the left side of the product has a right thread.

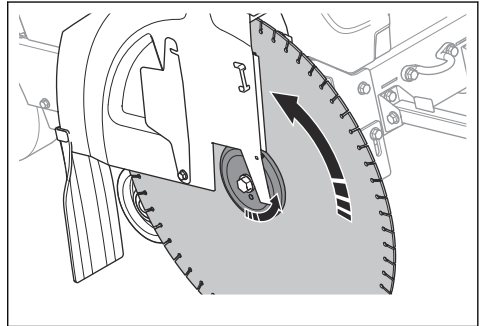
8. Remove the outer blade flange (C) and the flat washer (B).



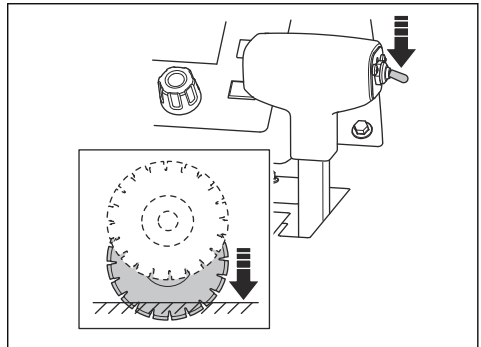
**WARNING:** Damaged or dirty parts can prevent correct installation of the cutting blade. Examine the blade shaft bolt, the blade flanges, the flat washer and the blade flange arbor for damages. Replace worn or damaged parts. Clean the contact surfaces of the cutting blade and the blade flanges.

9. Put the cutting blade (D) on the outer flange arbor.  
 10. Install the cutting blade and the outer flange into the inner flange (E). Make sure that the locking pins (F) go through the blade and into the inner flange.  
 11. Install the flat washer and the blade shaft bolt.

12. To remove play, turn the outer flange and the cutting blade in the opposite direction of which the cutting blade rotates.



13. Hold the cutting blade tightly while you tighten blade shaft bolt with the blade shaft wrench.  
 14. FS7000 DL: For a 1500 mm/60 in. cutting blade, tighten the 6 bolts (G) that hold the outer blade flange.  
 15. Push the switch for cutting depth adjustment down to lower the cutting blade until it touches the surface.



**CAUTION:** Do not lower the cutting blade too quickly. If the cutting blade hits the surface with force, the cutting blade can become damaged. Decrease the speed with the knob for adjustment of the blade lowering speed.



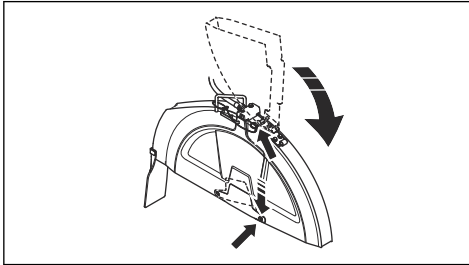
**CAUTION:** Do not let the front weight of the product push down on the cutting blade. This causes damage to the cutting blade.

16. Tighten the blade shaft bolt with the supplied 15/16" wrench. Tighten the blade shaft bolt to min. 159 ft-lbs/236.6 Nm (dry threads), 180 ft-lbs/267.9 Nm (wet threads) or 212 ft-lbs/315.5 Nm (anti-sized threads).

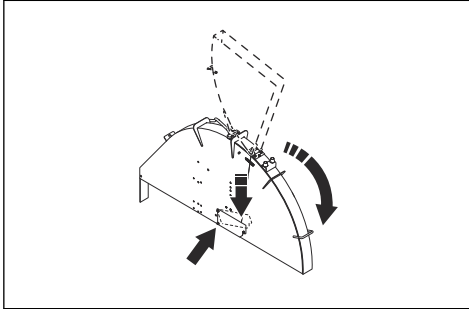
**Note:** The resistance between the cutting blade and the ground keep the cutting blade in position.

- Lower the blade guard front and put the blade guard latch on the front bolt of the blade guard. Tighten the front bolt of the blade guard.

a) FS7000 D:



b) FS7000 DL:



**CAUTION:** Do not operate the product without the blade guard latch engaged and the front bolt of the blade guard installed. Do not use the product if the parts are damaged.

- Start the product and listen for unusual sounds. If there are unusual sounds, remove the cutting blade.

- Examine the cutting blade for damages.
- Install the cutting blade again. Replace the cutting blade if it is damaged.

## To remove the cutting blade

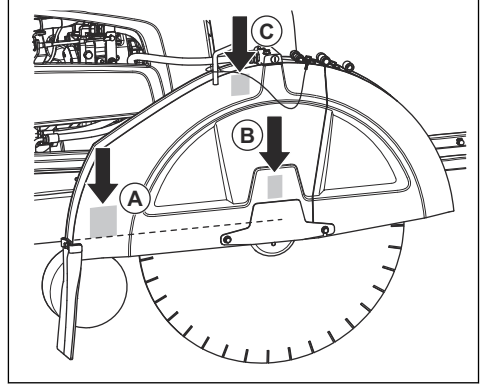


**WARNING:** When you remove diamond blades, let the product become cool and use protective gloves. Diamond blades are very hot after use.

- Remove the cutting blade in the opposite sequence of how it was installed. Refer to *To install a cutting blade on page 17*.

## To install a blade guard (FS7000 D, FS7000 DL, 20–42 in.)

- Lower the blade guard onto the supports (A), (B), and (C).



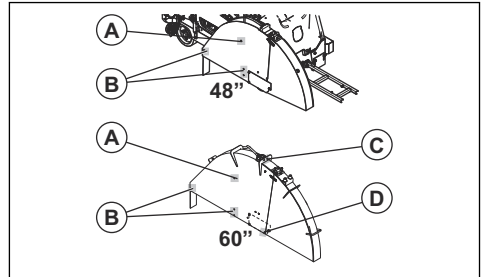
- Push the blade guard down until the blade guard lock engages.
- Connect the water hose.

All supports are not used for all blade guard dimensions.

- 14 in., 20 in. and 26 in. blade guards are lowered onto the support (B) only.
- 30 in. blade guard is lowered onto the supports (B) and (C).
- 36 in. and 42 in. blade guard is lowered onto all supports (A), (B), and (C).

## To install a blade guard (FS7000 DL, 48–60 in.)

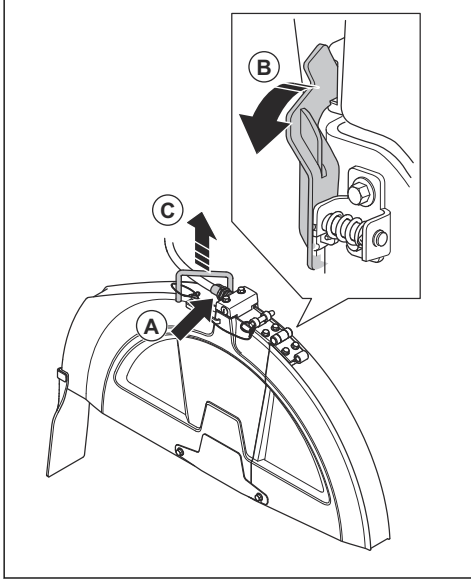
- Lower the blade guard on to the support screws (A), (B), (C) and (D).



- Push the blade guard down until the blade guard lock engages.
- Connect the water hose.

## To remove the blade guard (FS7000 D, FS7000 DL, 20-42 in.)

1. Disconnect the water hose (A) from the blade guard.



2. Use the blade shaft wrench to turn the blade guard lock (B) forward until it stops and disengages.
3. Lift the blade guard at the handle (C).

## To remove the blade guard (FS7000 DL, 48-60 in.)

1. Disconnect the water hose from the blade guard.
2. Remove the bolt that holds the blade guard.
3. Remove the blade guard.

## Product configuration for different blade dimensions

A product with a 1-speed gearbox operates with 1 specified blade dimension and 1 specified blade guard. A product with a 3-speed gearbox operates with a specified range of blade dimensions in 1 specified blade guard. If you replace the cutting blade with a cutting blade of a different dimension, it is necessary to change the configuration of the product.

For a product with a 1-speed gearbox, replace these parts with parts of the applicable dimension for the new cutting blade:

- Blade shaft pulleys
- Gearbox pulleys
- Blade shaft flanges
- Belts
- Blade guard

For a product with a 3-speed gearbox it is sufficient to change the gear if the dimension of the new cutting blade is in the same dimension range as the replaced cutting blade. If the dimension range is different, it is necessary to replace the parts in the list also on a product with a 3-speed gearbox.

Let your dealer help you to send an order for the parts that is necessary for your configuration.

## To do a configuration of the gearbox

- To change gearbox setup on the control panel display, refer to the operator's manual for the control panel.

## Configuration of a 1-speed gearbox model

There are 5 possible configurations for a 1-speed gearbox product:

FS7000 D, mm/in.	FS7000 DL, mm/in.
500/20	500/20
650/26	650/26
750/30	750/30
900/36	900/36
1000/42	1000/42
–	1200/48
–	1500/60

Refer to the operator's manual for the control panel for more information.

## Configuration of a 3-speed gearbox model

There are 4 possible configurations for a 3-speed gearbox product:

FS7000 D, mm/in.	FS7000 DL, mm/in.
350–650/14–26	500–900/20–36
500–750/20–30	650–1000/26–42
500–900/20–36	750–1200/30–48
650–1000/26–42	900–1500/36–60

Refer to the operator's manual for the control panel for more information.

## To change gears on a 3-speed gearbox model

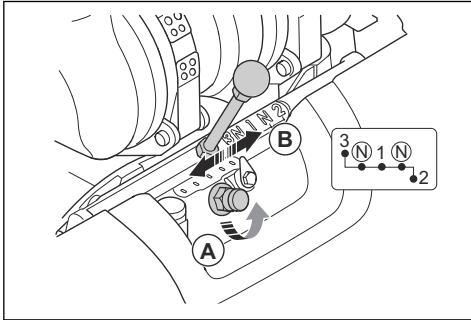


**CAUTION:** Do not change gears when the engine is on or before you do a check of the product configuration. There is a risk of damage to the gearbox.

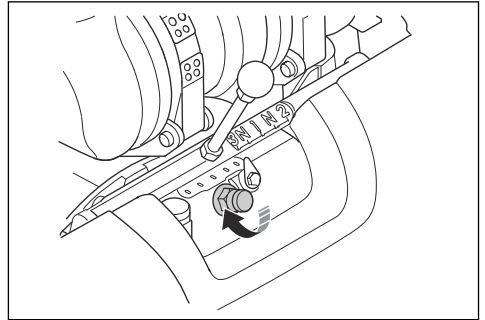


The gearbox has 3 speed positions and 2 neutral positions available. When the gearbox is set to neutral position, the cutting blade does not rotate when the engine is on.

1. Turn the engine start switch to the stop position.
2. Make sure that the dimension of the gearbox pulleys, blade shaft pulleys and blade shaft flanges are correct for the dimension of the installed cutting blade.
3. Make sure that the blade shaft speed is correct.
4. Turn the knob (A) 2 revolutions counterclockwise to loosen the locknut.

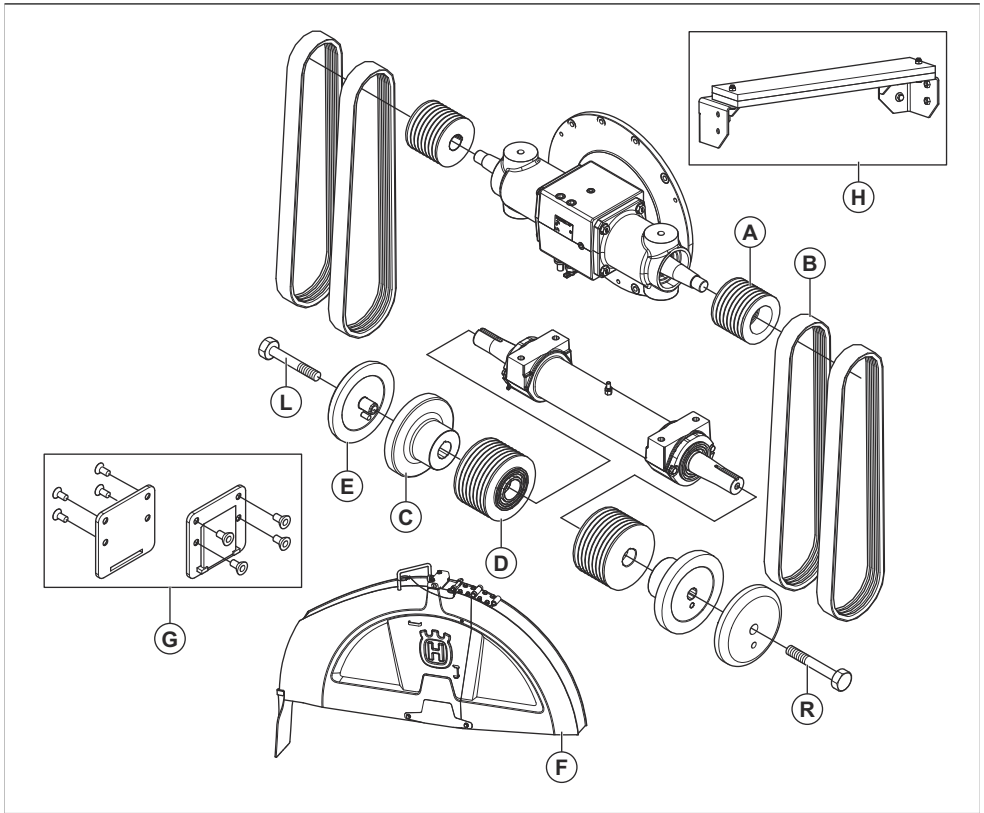


5. Loosen the locknut fully but do not remove it.
6. Move the gearshift lever (B) to the applicable gear. If it is not easy to move the gearshift lever, turn the blade shaft a small distance.
7. Tighten the knob clockwise with your fingers.



8. Tighten the locknut with the supplied blade shaft wrench. Refer to *Product overview, left side (FS7000 D)* on page 3 or *Product overview, left side (FS7000 DL)* on page 5.

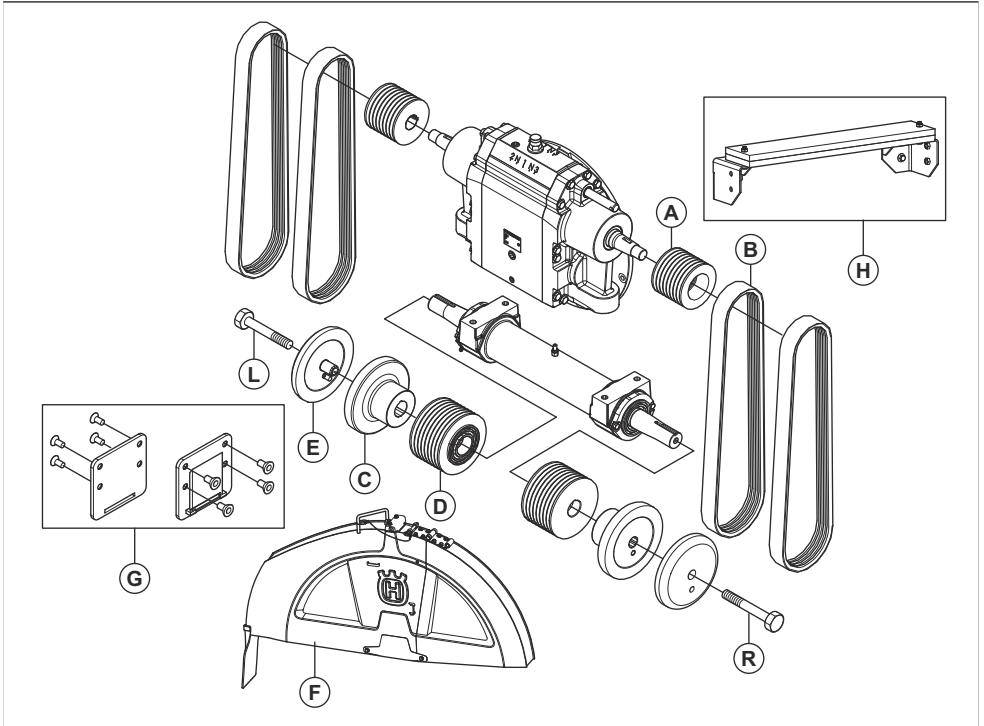
## Change of blade dimension, 1-speed gearbox model



\* = The part is included in the initial configuration of the product. Parts that are not in this table are also included in the initial configuration of the product.

Dimension, mm/in.	A	B	C	D	E	F	G	H
<b>500/20</b>	130/5.12	3VX470	114/4.5	106/4.17	114/4.5	500/20	No	No
<b>650/26</b>	97/3.82	3VX450	127/5	106/4.17	127/5	650/26	No	No
<b>750/30</b>	97/3.82	3VX450	127/5	115/4.53	127/5	750/30	No	No
<b>900/36, FS7000 D</b>	97/3.82	3VX470	152.5/6	138/5.43	152.5/6	900/36	Yes	No
<b>900/36, FS7000 DL</b>	97/3.82	3VX500	152.5/6	138/5.43	152.5/6	900/36	Yes	No
<b>1000/42, FS7000 D</b>	97/3.82	3VX485	178/7	162.5/6.4	178/7	1000/42	Yes	Yes
<b>1000/42, FS7000 DL</b>	97/3.82	3VX500	178/7	162.5/6.4	178/7	1000/42	Yes	Yes
<b>1200/48, FS7000 DL</b>	97/3.82	3VX500	203.2/8	184/7.24	203.2/8	1200/48	No	Yes
<b>1500/60, FS7000 DL</b>	97/3.82	3VX580	254/10	236/9.29	254/10	1500/60	No	Yes

## Change of blade dimension, 3-speed gearbox model



\* = The part is included in the initial configuration of the product. Parts that are not in this table are also included in the initial configuration of the product.

Dimension, mm/in.	A	B	C	D	E	F	G	H
<b>350-650/14-26, FS7000 D</b>	130/5.12	3VX570	127/5	106/4.17	127/5	350-650/14-26	No	No
<b>500-750/20-30, FS7000 D</b>	109/4.29	3VX550	127/5	106/4.17	127/5	500-750/20-30	No	No
<b>500-900/20-36, FS7000 D</b>	109/4.29	3VX560	152.5/6	121.5/4.78	152.5/6	500-900/20-36	Yes	No
<b>500-900/20-36, FS7000 DL</b>	109/4.29	3VX580	152.5/6	121.5/4.78	152.5/6	500-900/20-36	Yes	No
<b>650-1000/26-42, FS7000 D</b>	109/4.29	3VX580	178/7	146/5.75	178/7	650-1000/26-42	Yes	Yes
<b>650-1000/26-42, FS7000 DL</b>	109/4.29	3VX600	178/7	146/5.75	178/7	650-1000/26-42	Yes	Yes
<b>750-1200/30-48, FS7000 DL</b>	109/4.29	3VX580	203.2/8	162.5/6.4	203.2/8	750-1200/30-48	No	Yes
<b>900-1500/36-60, FS7000 DL</b>	130/5.12	3VX670	254/10	236/9.29	254/10	900-1500/36-60	No	Yes

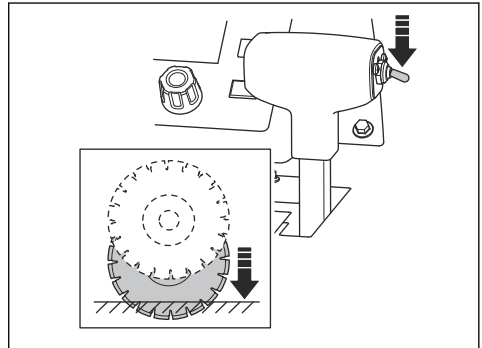
## Blade depth stop

The product has the function blade depth stop that lets the operator set the maximum cutting depth. The maximum cutting depth is different for different blade dimensions:

Dimension, mm/in.	Max. cutting depth, mm/in.
350/14	118/4.75
500/20	193/7.75
650/26	262/10.5
750/30	312/12.5
900/36	374/15
1000/42	411/17.5
1000/48	498/20
1500/60	623/25

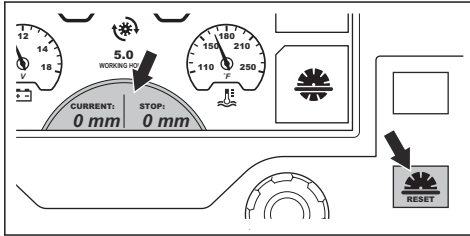
## To set the cutting depth

1. Push the switch for cutting depth adjustment down to lower the cutting blade until it touches the surface. This is the start position for the cutting depth.

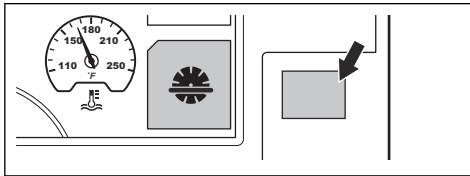


**CAUTION:** Do not lower the cutting blade too quickly. If the cutting blade hits the surface with force, it can cause damage to the cutting blade. Decrease the speed with the knob for adjustment of the blade lowering speed.

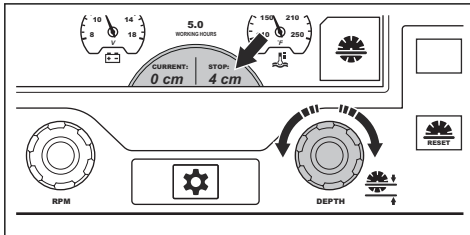
- Push the reset button for the blade depth stop on the control panel. The cutting depth value is set to 0 in./mm on the display.



- Push the button adjacent to the symbol for blade depth stop. The symbol on the display changes color to show that the function is engaged.



- Turn the knob for adjustment of the blade depth stop until the correct cutting depth shows on the display. During operation, the cutting blade is not lowered more than the set cutting depth.



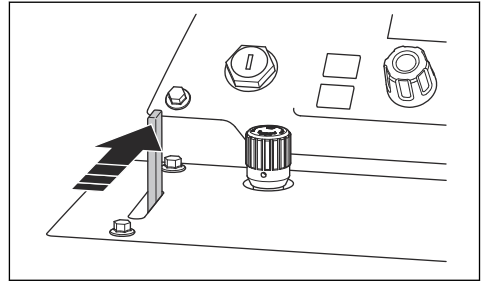
**CAUTION:** Always do a check that the cutting depth is correct. The blade depth stop helps you to get the correct cutting depth but only gives an indication of the depth value.

- If it is necessary to increase the cutting depth, do 1 of these procedures:
  - Turn the knob for adjustment of the blade depth stop to set a new cutting depth.
  - Push the button adjacent to the symbol for blade depth stop to disengage the function. The symbol on the display changes color to show that the function is disengaged.

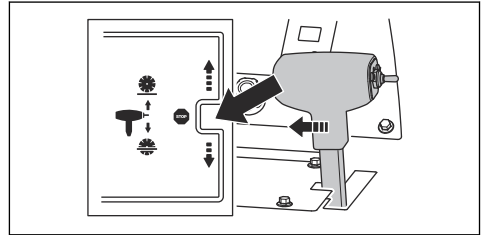
## To start the product

- Connect the water inlet to a water supply.

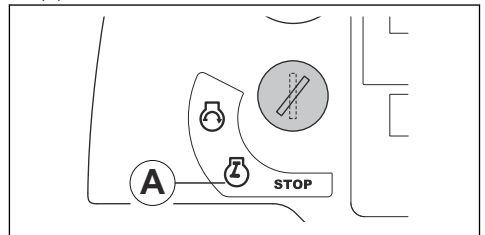
- Close the water valve.



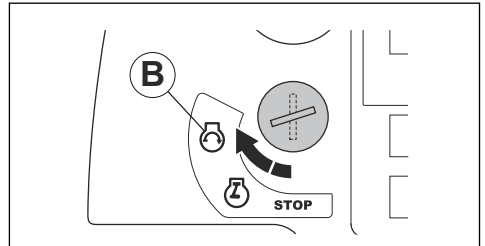
- Set the lever for speed control to the stop position.



- Make sure that the transmission bypass valve is closed. Refer to *Product overview, right side (FS7000 D)* on page 4 or *Product overview, right side (FS7000 DL)* on page 6 for the position of the transmission bypass valve.
- Turn the engine start switch to ignition on position (A).



- If the preheating symbol shows on the display, wait until it goes off. Refer to *Warning symbols on the control panel display* on page 9.
- Turn the engine start switch to engine start position (B). The engine starts.



- Let the engine operate at idle speed for 2-3 minutes until the temperature gauge starts to move.

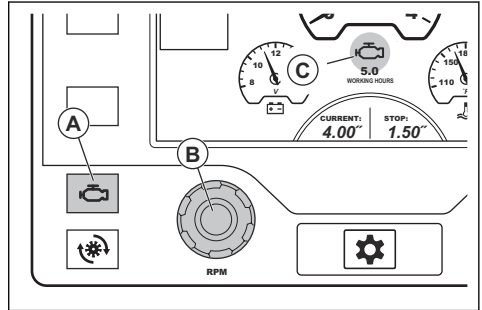


**CAUTION:** Do not let the engine operate at low idle speed when the product is not in operation. Low idle speed increases the quantity of particles in the engine and decreases the time between regenerations. Only applicable for products that comply with the Euro V Emission standard.



**WARNING:** For products without a blade clutch, the cutting blade starts to rotate when the engine starts and the gear is not in neutral. Do not move the product to the side or out of the work area if the cutting blade rotates.

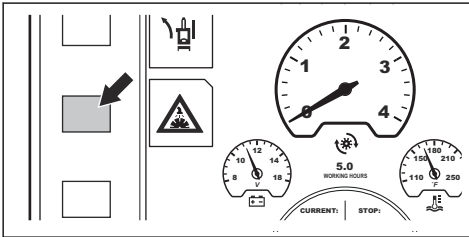
- Push the engine speed button (A). The engine symbol (C) shows that the speed adjustment knob (B) adjusts the engine speed.



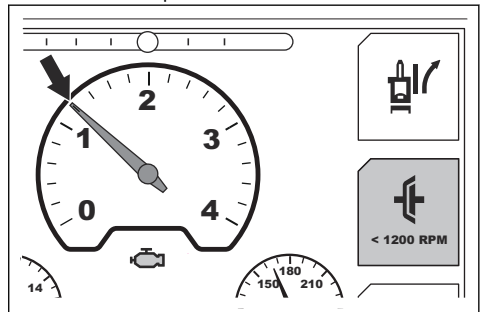
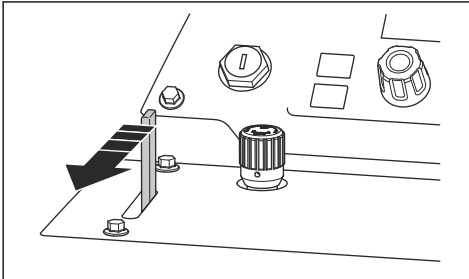
- If the product has a blade clutch, do this procedure:
  - Make sure that the engine speed is not higher than 1200 rpm.

## To operate the product

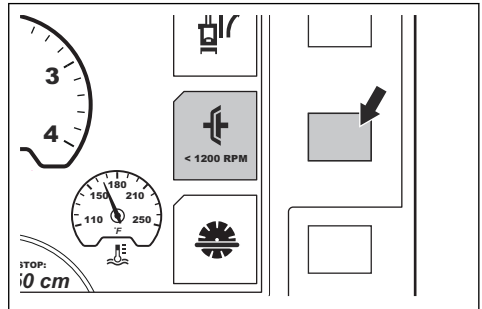
- Start the engine.
- Push the button adjacent to the symbol for the water safety system. The symbol on the display changes color to show that the function is engaged.



- Open the water valve.

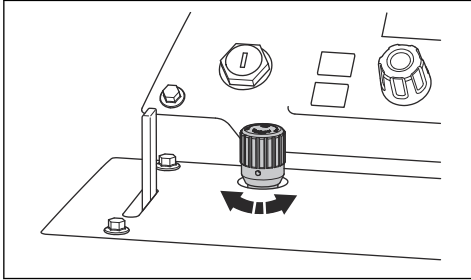


- Push the button adjacent to the blade clutch symbol on the display. The symbol on the display changes color to show that the drive on the cutting blade is engaged.

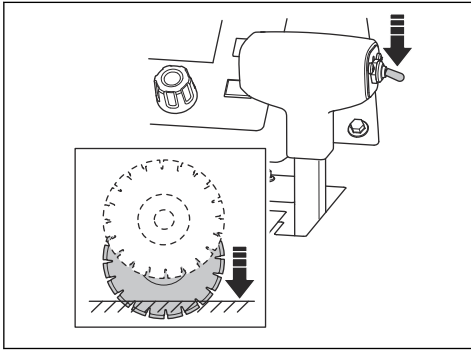


- Turn the speed adjustment knob clockwise to increase the engine speed to full throttle.

7. To set the blade lowering speed, turn the knob for adjustment of the blade lowering speed. Turn counterclockwise to increase the speed and clockwise to decrease the speed.



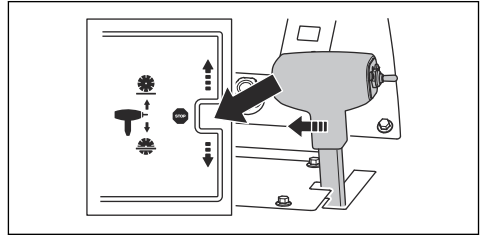
8. Keep the adjustable pointer, the rear pointer and the cutting blade on the line mark during the full operation.
9. Push the switch for cutting depth adjustment down to lower the cutting blade to the correct cutting depth. Refer to *Blade depth stop* on page 24.



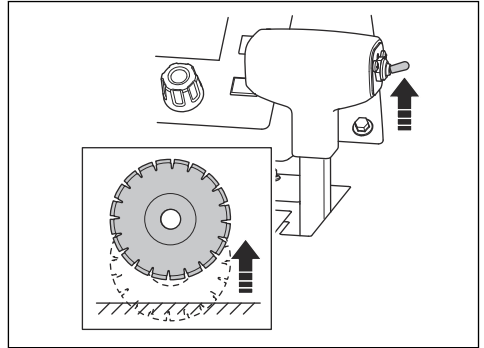
**CAUTION:** If you lower the cutting blade into a cut that is not fully completed, align the cutting blade accurately with the cut to prevent damage to the cutting blade.

10. Push the lever for speed control forward slowly to move the product forward.
11. Listen to the sound of the engine. Pull the lever for speed control rearward to adapt the forward speed to the sawing conditions.

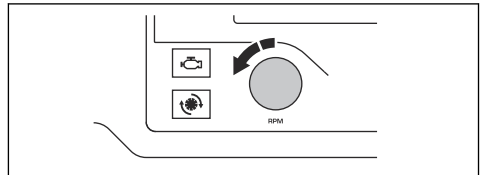
12. When the operation is completed, set the lever for speed control in the stop position.



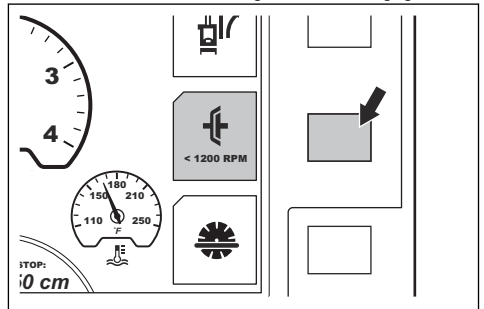
13. Push the switch for cutting depth adjustment up until the cutting blade is above the surface.



14. Turn the knob for the throttle control to the low idle position.



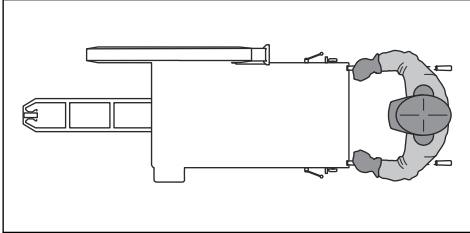
15. If the product has a blade clutch, push the button adjacent to the blade clutch symbol on the display. The symbol on the display changes color to show that the drive on the cutting blade is disengaged.



**Note:** Refer to *Straight operation of the product on page 28* for information about how to adjust the rear axle if the product does not cut straight.

### To use the correct working technique

- Stay away from the blade path while the engine is on. The correct operator position is between the handles.



- Examine the cutting blade frequently for cracks and broken parts during the work day. Do not use a damaged cutting blade.



**WARNING:** Stop the engine before you examine the cutting blade.

- Do not grind with the side of the cutting blade. The cutting blade can break and cause injury to the operator or bystanders. Only use the cutting edge.
- Do not bend or twist the cutting blade in the cut.
- Make sure that the cutting blade moves freely and does not catch in the cut.

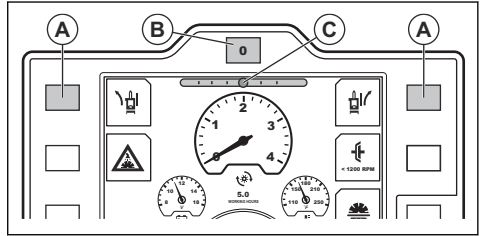
### Straight operation of the product

During operation, the cutting blade causes resistance to the forward movement from the rear wheels. This causes the product to steer in the same direction as the cutting blade is installed. To prevent a bent cut, the angle of the rear axle can be adjusted. There are 2 procedures to adjust the rear axle, with the E-track function or with a manual axle adjustment.

#### To adjust the rear axle with the E-track function

You can do the rear axle adjustment with the E-track function during operation or when the product is stationary.

- Push the left and right E-track adjustment buttons (A) to adjust the rear axle. Push again and again for small adjustments.

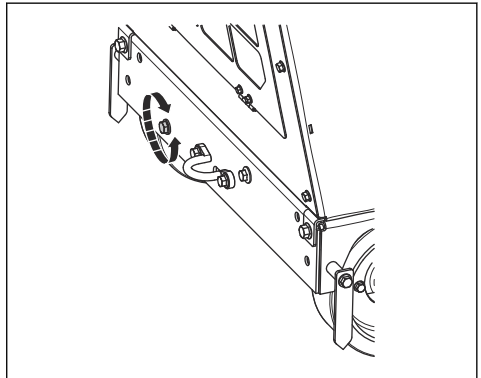


**Note:** The E-track gauge (C) on the display shows the current angle of the rear axle. The adjustment is saved when the ignition is off or if the product becomes without power.

- Look at the movement and the direction of the product to make sure that the adjustment is correct.
- To reset the rear axle to the center angle that is set in the system, push the E-track reset button (B).
- To go back to the adjusted angle, push the E-track reset button again.
- To adjust the center angle that is set in the system, refer to the operator's manual for the control panel.

#### To adjust the rear axle manually

- Turn the adjustment bolt at the lower left at the rear of the product. Use an 18 mm wrench.

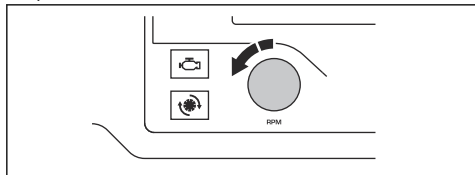


- a) If the product steers to the right during operation, turn the adjustment bolt counterclockwise.
- b) If the product steers to the left during operation, turn the adjustment bolt clockwise.

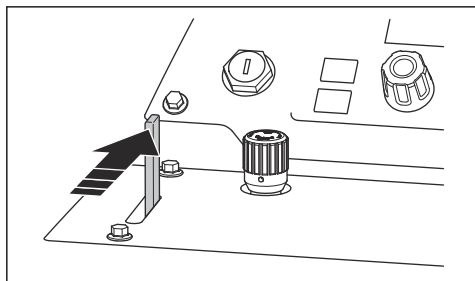


## To stop the product

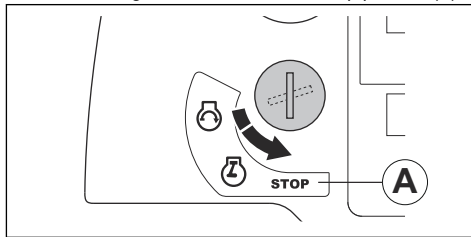
1. Turn the knob for the throttle control to the low idle position.



2. Close the water valve.



3. Let the engine operate at idle speed for 2-3 minutes.
4. Turn the engine start switch to the stop position (A).



**WARNING:** The cutting blade continues to rotate for a while after the engine stops. Do not stop the cutting blade with your hands. Serious injuries can occur.

## Maintenance

### Introduction



**WARNING:** Read and understand the safety chapter before you do maintenance on the product.

For all servicing and repair work on the product, special training is necessary. We guarantee that professional repairs and servicing is available. If your dealer is not a service agent, speak to them for information about the nearest service agent.

For spare parts, speak to your Husqvarna dealer or service agent.

### To do before the maintenance

- Park the product on a level surface and stop the engine. Push the machine stop button on the control panel to prevent accidental start during maintenance.

- Clean the area around the product from oil and dirt. Remove unwanted objects.
- Put clear signs around the maintenance area to give a warning to bystanders that maintenance work is in progress.
- Keep fire extinguishers, medical supplies and an emergency phone near.

### Maintenance schedule

**Note:** If more than 1 time interval is identified in a table row, the shortest time interval is for the first maintenance only.

\* Refer to *Safety devices on the product on page 12* for instructions.

Maintenance	Daily and after transportation	50 h	100 h	250 h	500 h	Yearly
Clean the product.	X					
Do a check of the radiator coolant level.	X					
Do a check of the engine oil level.	X					

Maintenance	Daily and after transportation	50 h	100 h	250 h	500 h	Yearly
Do a check of the blade guard.	*					
Examine all hoses and hose clamps. Look for damage where the hoses rub against other hoses or parts of the product.	X					
Clean the outer air filter.	X					
Do a check of the protective covers and blade guards.	*					
Drain water from the gearbox.	X					
Do a check of the water supply to the cutting blade.	X					
Drain the water separator for the fuel filter.	X					
Lubricate the pivot on the hydraulic cylinder.	X					
Replace the engine oil and engine oil filter.		X	X			
Clean the radiator air filter.		X				
Do a check of the V-belts.		X				
Lubricate the front wheels.		X				
Replace the hydraulic system filter.		X		X		
Lubricate the pivot bearings of the front axle.			X			
Examine the wheels and wheel hubs for damage and make sure that they are installed correctly.			X			
Examine the air filter hose and hose clamps.			X			
Do a check of the hydraulic oil level.			X			
Replace the fuel filter.			X			
Lubricate the blade shaft.				X		
Lubricate the rear axle bearing.				X		
Replace the hydraulic oil.					X	
Replace the oil in the gearbox.					X	
Replace the radiator coolant.					X	
Replace the air filters.						X
Do a check that the coolant mixture is correct. Refer to <i>Technical data on page 46</i> .						X

## To clean the product



**WARNING:** Use protective glasses. When you clean with a high-pressure washer, dirt and harmful material can eject from the product.

- Let the product become cool before you clean it.
- Make sure that the cover for the relay and fuse box is correctly installed before you clean the product.
- Do not clean electrical components with water.
- Use a weak cleaning agent. Put on protective gloves to prevent skin irritation.
- Use a high-pressure washer to clean the product.

## To clean the radiator



**CAUTION:** Obey the instructions. Incorrect procedure can cause damage to the cooling fins.

- Use compressed air to clean the cooling fins.
- If it is necessary, use a high-pressure washer and a weak cleaning agent.
- Spray directly on the radiator, in parallel to the cooling fins.
- Keep a minimum distance of 40 cm/15.75 in. between the cooling fins and the nozzle for the high-pressure washer or air flow.

## To clean the control panel



**CAUTION:** Do not use a high-pressure washer to clean the control panel.

- Clean electrical components with a cloth or with compressed air.
- Clean the control panel with a moist cloth.

## To clean the engine

- Keep a minimum distance of 40 cm/15.75 in. between the nozzle and the engine and engine components.
- Be careful when you clean the engine, especially near electrical components. Do not spray water directly at electrical components.
- Do not point the water directly into the exhaust pipe or the engine air filter.

## To do after you clean the product

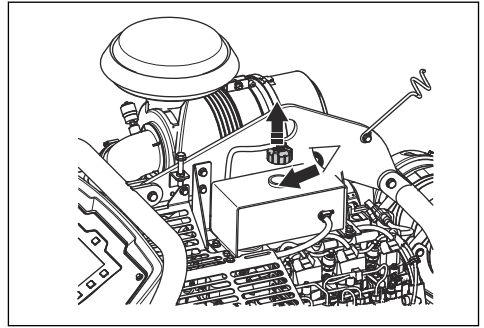
- Blow electrical terminals dry with compressed air.
- Let the product become fully dry before you start the engine.

## To do a check of the radiator coolant level



**WARNING:** Risk of burn injuries. Let the engine become cool before you open the radiator coolant lid.

1. Remove the radiator coolant lid.

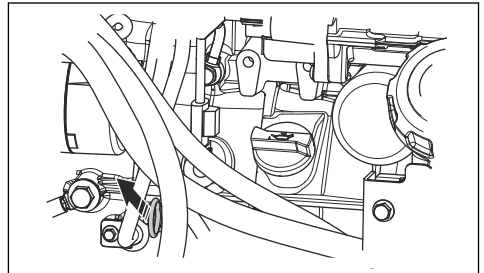


2. Look down in the coolant tank. The coolant level is correct when it is at the start of the tube in the coolant tank.
3. If the radiator coolant level is too low, fill until the level is correct. Refer to *Technical data on page 46* for correct radiator coolant type and mixture.

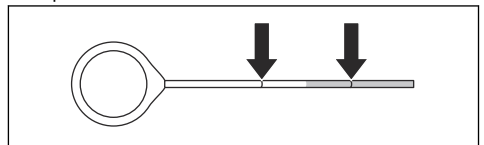
## To do a check of the engine oil level

To read the oil level correctly the product must be in the correct position.

1. Make sure that the cutting blade is removed and that the product is level when you examine the engine oil level.
2. Remove the dipstick from the oil tank.



3. Clean the oil from the dipstick.
4. Put the dipstick back fully into the oil tank.
5. Remove the dipstick.
6. Examine the oil level on the dipstick. Make sure that the level of engine oil is between the marks on the dipstick.



7. If the oil level is low, fill with engine oil and do a check of the oil level again. Refer to *Technical data on page 46* for correct engine oil type.

## To examine hoses and hose clamps

- Look for leakage on the hoses in the fuel system, the hydraulic system and the cooling system.
- Examine the hoses for wear and damage, especially where the hoses rub against other hoses or parts of the product.
- Replace damaged hoses.
- Tighten loose hose clamps.

## To clean the outer air filter



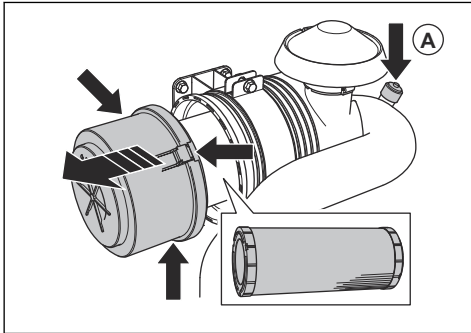
**WARNING:** Use approved respiratory protection when you clean or replace the air filter. Discard used air filters correctly. The dust in the air filter is dangerous to your health.



**WARNING:** Do not clean the air filter with compressed air. This causes damage to the air filter and the risk increases that you breathe the dangerous dust.

It is not necessary to clean the inner air filter.

1. Examine the air filter indicator (A). If the air filter indicator is red, it is necessary to clean the outer air filter.
2. Open the 3 clamps of the air filter housing and remove the air filter housing.



3. Remove the air filter.
4. Tap the air filter against a hard surface or use a vacuum cleaner to remove the particles.



**CAUTION:** Do not let the nozzle of the vacuum cleaner touch the surface of the air filter. Keep a small distance. The sensitive surface of the air filter becomes damaged if objects touch it.

5. Replace damaged gaskets.
6. Examine the air filter hose and the hose clamps.
  - a) Replace damaged parts.
  - b) Tighten loose clamps.

7. Install the outer air filter.
8. Install the air filter housing and close the 3 clamps of the air filter housing.

**Note:** If the 3 clamps of the air filter housing cannot be closed, the outer air filter is not correctly installed.



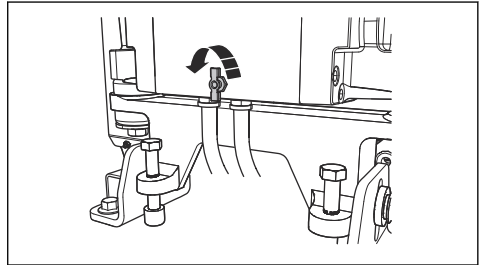
**CAUTION:** Always replace a damaged air filter, or the dust will go into the engine and cause engine damage. Damage to the engine because of a damaged air filter voids the warranty.

## To drain water from the gearbox



**CAUTION:** Water in the gearbox can cause corrosion and freeze damages.

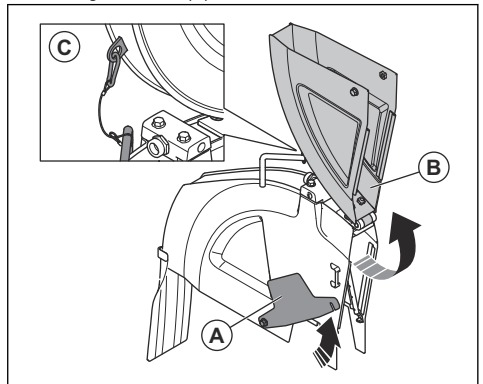
1. Turn the water drain valve on the gearbox counterclockwise to open.



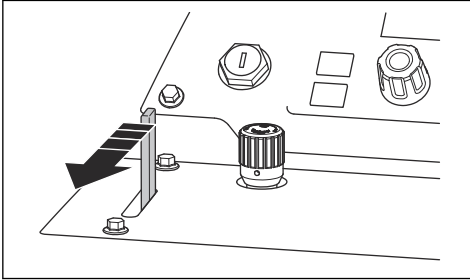
2. Turn the water drain valve on the gearbox clockwise to close.

## To do a check of the water supply to the cutting blade (FS7000 D)

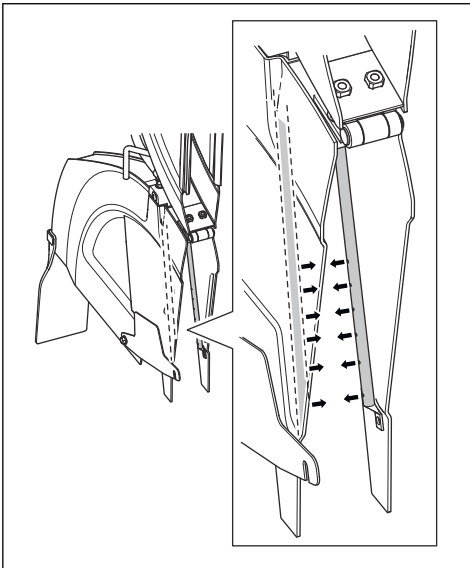
1. Loosen the front bolt on the blade guard and lift the blade guard latch (A).



2. Lift the blade guard front (B) and lock the blade guard in upright position with a wire and carabiner (C).
3. Open the water valve.



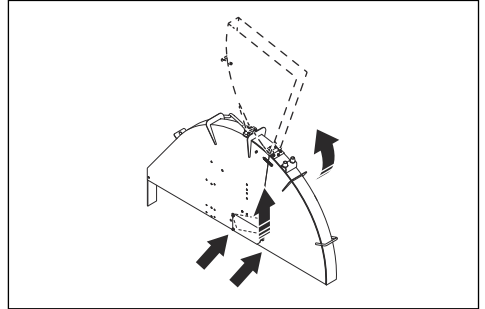
4. Make sure that the jets of water go straight out from the holes and onto each side of the cutting blade.



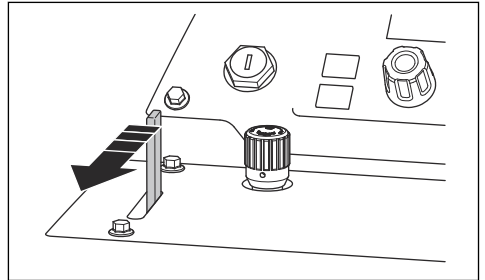
5. Make sure that there are no leakages in the water pipes.
6. Replace the water pipes if they are damaged.

## To do a check of the water supply to the cutting blade (FS7000 DL)

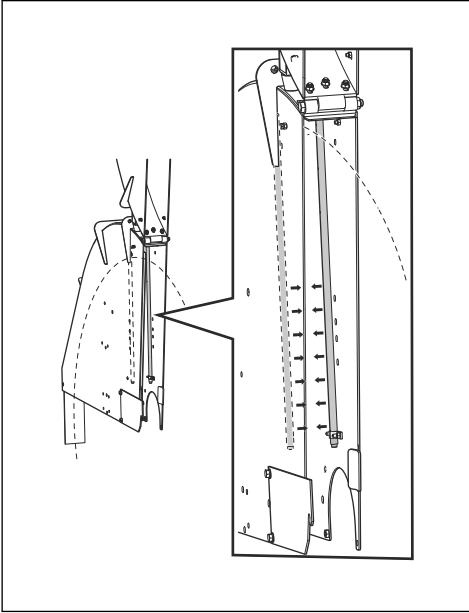
1. Lift the blade guard front.



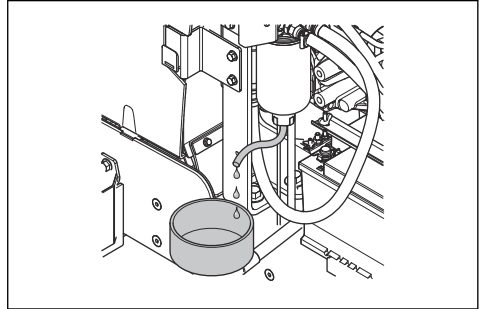
2. Lock the blade guard in upright position with a spring hook.
3. Open the water valve.



4. Make sure that the jets of water go straight out from the holes and onto each side of the cutting blade.



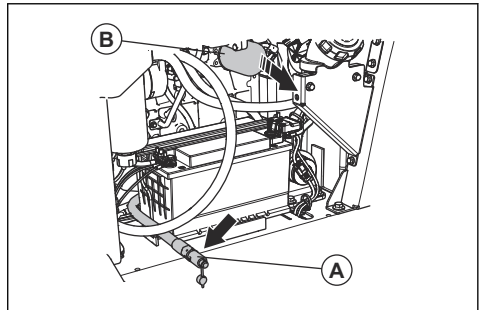
5. Loosen the tap and drain the water from the water separator into the container.



6. Tighten the tap.
7. Discard the water as chemical waste. Refer to *Disposal* on page 45.

### To replace the engine oil and engine oil filter

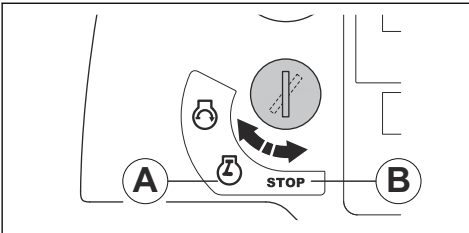
1. Put a cover on the battery to prevent oil spill on the battery.
2. Remove the cap (A) from the oil drain hose for engine oil.



3. Open the valve and bend the hose down to drain the engine oil.
4. Remove the engine oil filter (B) and discard it.
5. Close the valve.
6. Fill a new engine oil filter with oil and install the engine oil filter on the product.

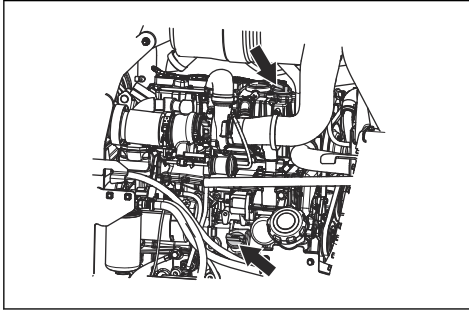
### To drain the water separator for the fuel filter

1. Put a container below the hose at the bottom of the water separator for the fuel filter.
2. Turn the engine start switch to ignition on position (A). Do not start the engine.



3. Let the fuel pump operate for approximately 15 seconds to increase the pressure in the fuel system.
4. Turn the engine start switch to the stop position (B).

7. Open an oil tank cap and fill the system with engine oil. Refer to *Technical data on page 46*.



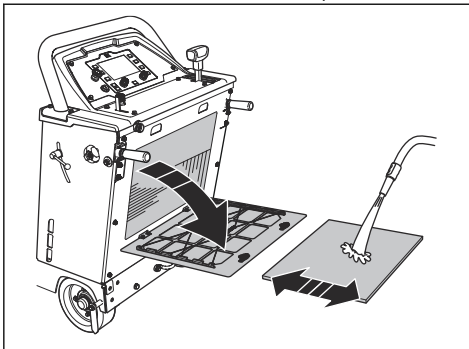
**Note:** There are 2 oil tank caps for engine oil.

### To clean the radiator air filter



**CAUTION:** Do not operate the product without the radiator air filter installed.

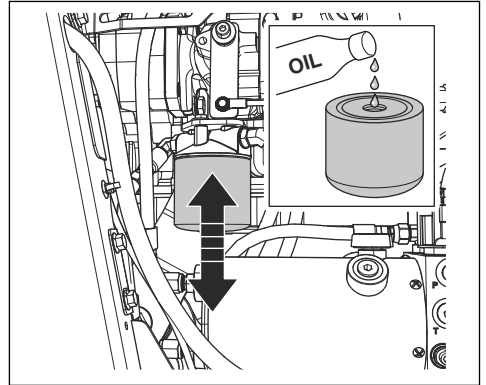
- Clean the radiator air filter with soap and water.



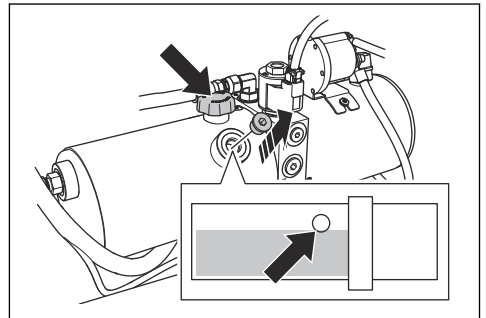
- Always replace a damaged radiator air filter.

### To replace the hydraulic system filter

1. Remove the hydraulic system filter and discard it.



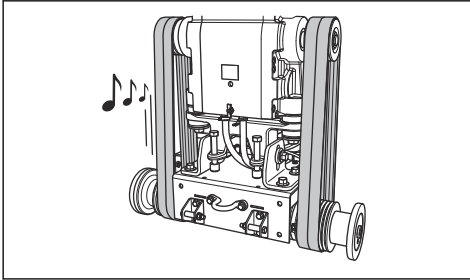
2. Fill a new hydraulic system filter with oil. Refer to *Technical data on page 46* for the correct type of oil.
3. Lubricate the seal with some drops of oil.
4. Install the hydraulic system filter.
5. Make sure that the product is level.
6. Remove the plug from the inspection opening on the hydraulic reservoir.



7. Remove the hydraulic reservoir cap and fill with new oil to the correct oil level. Refer to *To do a check of the hydraulic oil level on page 36*.
8. Install the hydraulic reservoir cap.
9. Install the plug in the inspection opening on the hydraulic reservoir.

## To do a check of the V-belts

- Pull and release the V-belts, 1 at a time. The belts must give a long sound, not a short sound.



- If you hear a long, clear sound from the V-belts, the tension is correct.
  - If you hear only a short sound from the V-belts, the tension is too low. Refer to *To increase the tension of the V-belts on page 36*.
- Examine the V-belts for wear and damages. Replace damaged V-belts.



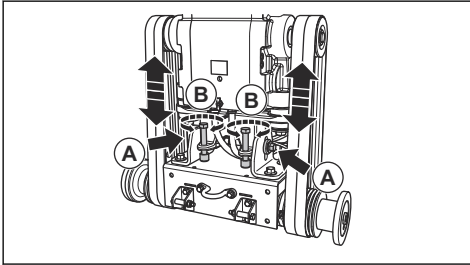
**CAUTION:** Do not replace only 1 of the V-belts. Always replace all 4 V-belts at the same time.

## To increase the tension of the V-belts



**CAUTION:** The tension of new V-belts must be increased after the first 2-4 hours of operation.

- Loosen the 2 bolts (A) with the blade shaft wrench.



- Turn the bolts for the belt tension (B) clockwise until the V-belts are tight.

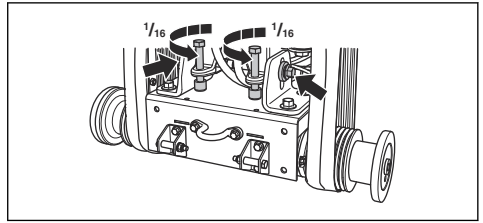


**CAUTION:** Turn the 2 bolts for the belt tension equally. The tension must be the same in the 2 V-belts.

- Do a check of the V-belts. Refer to *To do a check of the V-belts on page 36*.
  - If the tension of the V-belts is too low, turn the bolts for the belt tension some more.

- Do this procedure again until the V-belt tension is correct.

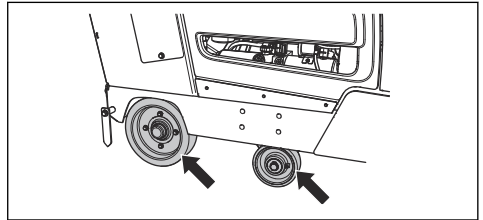
- Tighten the 2 bolts (A).
- Loosen the bolts for the belt tension counterclockwise approximately 1/16 of a turn.



**CAUTION:** Make sure that the 4 V-belts have the same tension. Do not adjust the tension of the V-belts too much.

## To examine the wheels

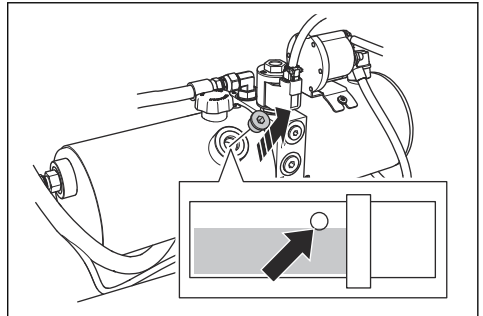
- Examine the wheels for wear or damage. Replace wheels and hubs if they are damaged or worn out.



- Examine if the rear wheel hubs and wheels are loose. Tighten loose screws and nuts.

## To do a check of the hydraulic oil level

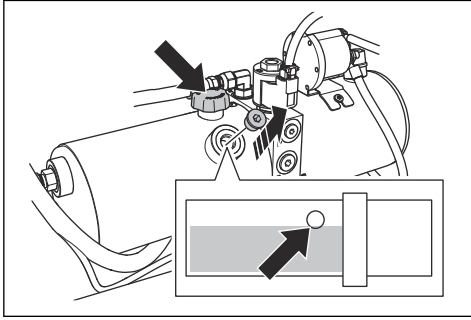
- Remove the plug in the inspection opening on the hydraulic reservoir. Refer to *Product overview, right side (FS7000 D) on page 4* or *Product overview, right side (FS7000 DL) on page 6* for the hydraulic reservoir position.



- Make sure that the oil level is at the bottom edge of the opening on the hydraulic reservoir.



- If it is necessary, remove the hydraulic reservoir cap and fill the hydraulic reservoir until the oil level is correct. Refer to *Technical data on page 46* for the correct type of oil.

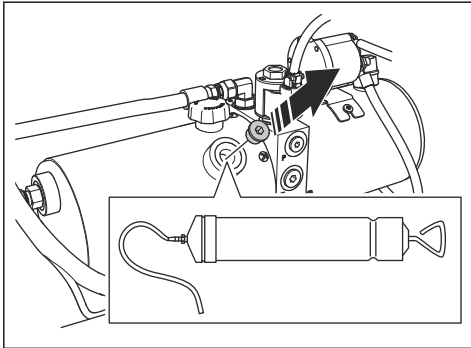


**CAUTION:** Do not fill too much. Oil can come out of the inspection opening.

- Install the hydraulic reservoir cap.
- Install the plug in the inspection opening on the hydraulic reservoir.

## To replace the hydraulic oil

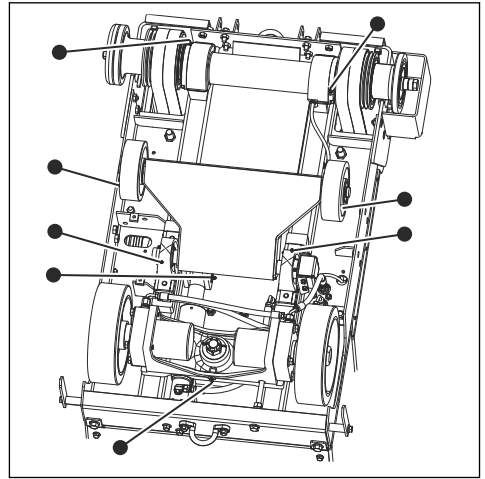
- Remove the plug from the inspection opening on the hydraulic reservoir.



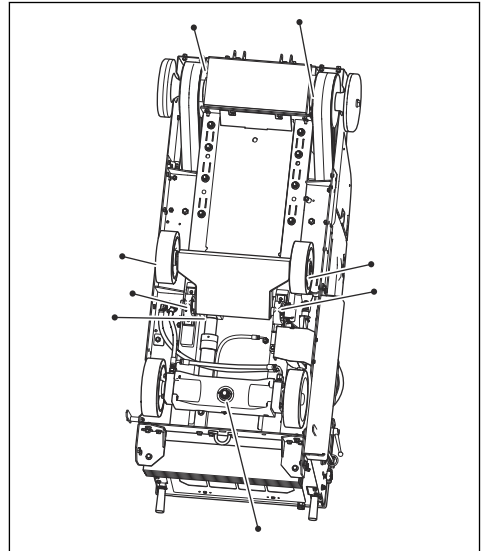
- Use a manual oil pump to drain the oil through the inspection opening on the hydraulic reservoir.
- Replace the hydraulic system filter. Refer to *To replace the hydraulic system filter on page 35*.

## To lubricate the product

- Clean the 8 grease nipples.
  - FS7000 D:



- FS7000 DL:



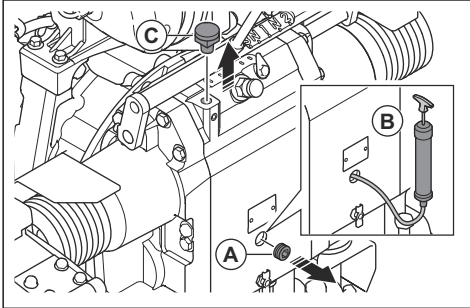
- Replace broken or blocked grease nipples.
- Lubricate the front wheels.
- Lubricate the pivot bearings of the front axle.
- Lubricate the blade shaft. Push the grease pump 2 times at each end of the blade shaft.
- Lubricate the pivot pin on the hydraulic cylinder.
- Lubricate the rear axle bearing.

For more information about lubrication, refer to *Technical data on page 46*.

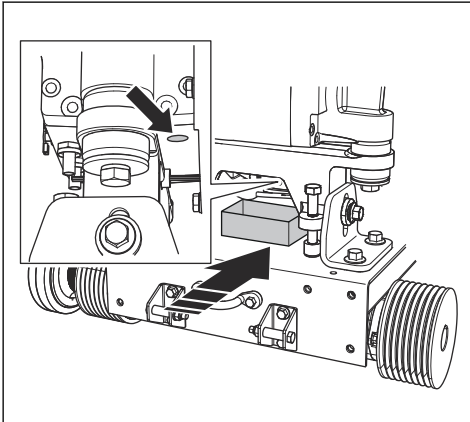
## To replace the oil in the gearbox

There are 2 alternatives for how to drain the oil from the gearbox.

1. To drain the oil with a manual oil pump, do this procedure:
  - a) Remove the plug in the inspection window at the front of the product (A).

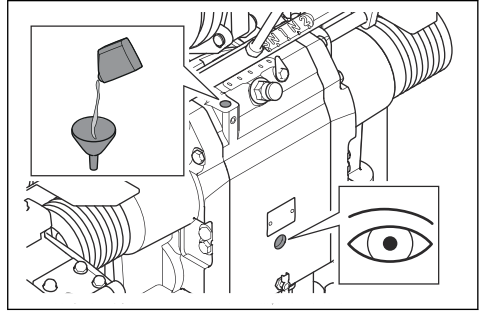


- b) Use an oil pump (B) to drain the oil through the inspection window.
2. Remove the left screw (C).
  3. To drain the oil through the hole below the engine, do this procedure:
    - a) Put a container below the engine.



- b) Loosen the screw and let the oil run out into the container.
- c) Tighten the screw.

4. Fill oil into the tube while you look through the inspection window.



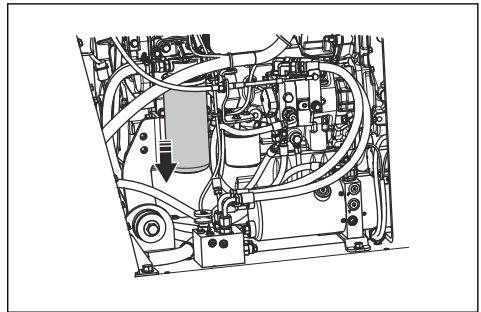
5. Fill until you see that the oil level is correct.
6. Tighten the left screw.

## To replace the fuel filter



**WARNING:** Use protective gloves to prevent skin irritation. Fuel can come from the fuel filter and onto your skin.

1. Close the valve of the prefilter. For more information, refer to the engine manual.
2. Turn the fuel filter counterclockwise to remove it.
3. Replace the fuel filter.
4. Fill the new fuel filter with diesel fuel.
5. Lubricate the seal with some drops of diesel fuel.



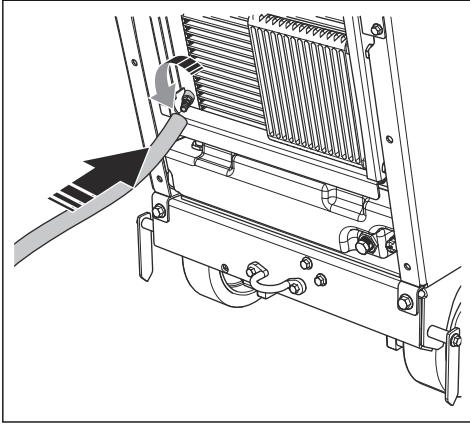
6. Install the fuel filter.
7. Open the valve of the prefilter before you start the engine.

## To replace the radiator coolant

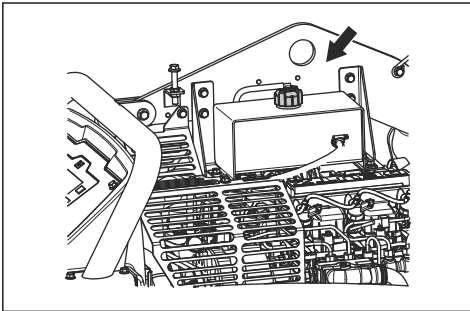


**WARNING:** Risk of burn injuries. Let the engine become cool before you open the radiator coolant lid.

1. Remove the rear cover.



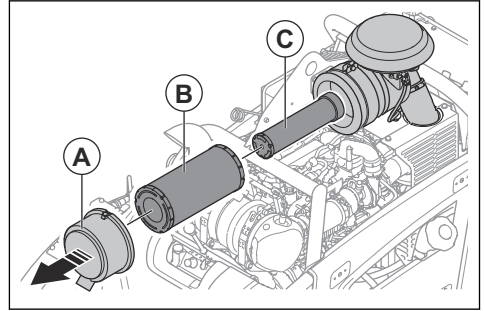
2. Put an extension on the valve.
3. Open the valve.
4. Remove the radiator coolant lid. The radiator coolant drains from the system.



5. Close the valve.
6. Fill with radiator coolant until the level is at the start of the tube in the coolant tank. Refer to *Technical data on page 46* for correct radiator coolant type and mixture.

## To replace the air filters

1. Open the 3 clamps of the air filter housing (A) and remove the air filter housing.



2. Replace the outer air filter (B) and the inner air filter (C).
3. Install the air filters in opposite sequence.

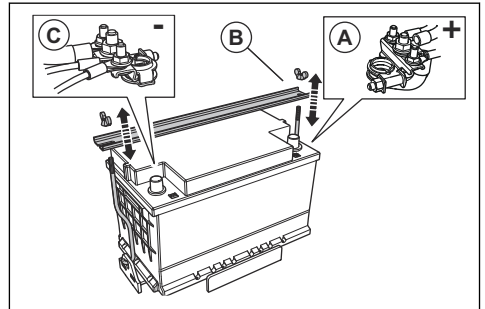
**Note:** If the 3 clamps of the air filter housing cannot be closed, the outer air filter is not correctly installed.

## Battery maintenance

**Note:** The battery on your product is maintenance free. Do not open or remove the caps or the covers.

## To connect and disconnect the battery

1. Connect the red battery cable (A) to the POSITIVE (+) battery terminal on the battery.



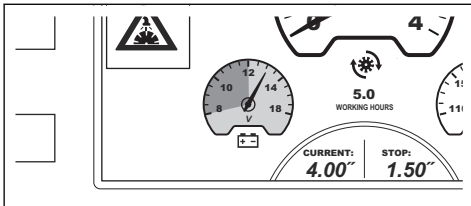
2. Install the battery holder (B).
3. Connect the black battery cable (C) to the NEGATIVE (-) battery terminal on the battery.
4. Disconnect the battery cables in the opposite sequence of how they were connected.



**WARNING:** Always disconnect the NEGATIVE (-) battery terminal first.

## To do a check of the battery

- Do a check of the battery daily.
  - a) Set the engine start switch to the ignition on position.
  - b) Examine the battery gauge in the display. It must not be below 12V.



- If the battery gauge is below 12V, charge or replace the battery.
- Replace the battery if it cannot keep the voltage. This can occur if the product is not operated for a long time. For information about recommended batteries, refer to *Technical data on page 46*.
- Charge the battery regularly.
- Keep the battery terminals and the battery cables clean.

## To do an emergency start of the engine

If the battery is too weak to start the engine, you can use jumper cables to do an emergency start. This product has a 12 V system with negative ground. The product that is used for the emergency start must also have a 12 V system with negative ground and minimum 700 CCA.

### To connect the jumper cables

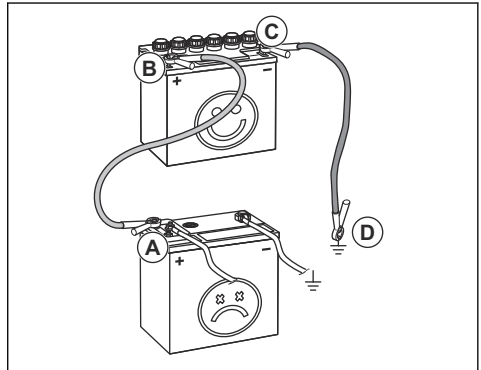


**WARNING:** Risk of explosion because of explosive gas that comes from the battery. Do not connect the negative terminal of the charged battery to or near the negative terminal of the weak battery.



**CAUTION:** Do not use the battery of your product to start other vehicles.

1. Connect one end of the red battery cable to the POSITIVE (+) battery terminal (A) on the weak battery.



2. Connect the other end of the red battery cable to the POSITIVE (+) battery terminal (B) on the charged battery.



**WARNING:** Do not let the ends of the red battery cable touch the chassis. This will cause a short circuit.

3. Connect one end of the black battery cable to the NEGATIVE (-) battery terminal (C) on the charged battery.
4. Connect the other end of the black battery cable to a CHASSIS GROUND (D), away from the fuel tank and the battery.

### To remove the jumper cables

**Note:** Remove the jumper cables in the opposite sequence to how you connect them.

1. Remove the BLACK cable from the chassis.
2. Remove the BLACK cable from the fully charged battery.
3. Remove the RED cable from the 2 batteries.

## Regeneration

**Note:** The regeneration function is a requirement by law for products that are sold in Europe. The information in this section is only applicable for products that comply with the Euro V Emission standard.

To decrease the exhaust emissions, the diesel engine has a diesel particulate filter (DPF) that collects unwanted material from the exhaust. The concentration of unwanted material in the diesel particulate filter increases during operation and it is necessary to clean the diesel particulate filter regularly. The procedure to clean the diesel particulate filter, a DPF regeneration, is a fully automatic procedure that is started by the

operator and controlled by the engine control unit. There are different modes of regeneration:

- Regeneration is necessary
- Warning level
- Standstill regeneration
- Engine stop mode
- Servicing regeneration
- Replace the diesel particulate filter

### Regeneration is necessary

When this warning symbol shows on the display, the engine is in a mode where regeneration is necessary.



This mode does not have an effect on the power output of the engine. It is recommended to do a standstill regeneration in the shortest time possible after the warning symbol shows.

### Warning level

When these warning symbols show on the display, the engine is in warning level.



The power output of the engine is decreased by 25%. It is recommended to do a standstill regeneration in the shortest time possible after the warning symbols show.

If operation continues in warning level and the soot load increases to 120% or more, the maximum engine speed is decreased to 1500 rpm.

### Standstill regeneration

Approximately 40 minutes are necessary to do a standstill regeneration. Refer to the operator's manual

for the control panel for information on how to do the standstill regeneration.

### Engine stop mode

When these warning symbols show on the display, the engine is in engine stop mode.



The power output of the engine is decreased by 50% and the maximum engine speed is decreased to 60%.

A servicing regeneration must be done.

### Servicing regeneration

When the engine is in engine stop mode, a standstill regeneration is not possible. It is necessary to use the servicing tool SERDIA and do a servicing regeneration.

Approximately 40 minutes are necessary to do a servicing regeneration. Refer to the operator's manual for the control panel for information on how to do the servicing regeneration.

### Replace the diesel particulate filter

When these warning symbols show on the display and the engine has the error code SPN: 4781, FMI:14, regeneration is not possible. It is necessary to replace the diesel particulate filter.



The power output of the engine is decreased by 50% and maximum engine speed is decreased to 60%.

---

## Troubleshooting

---

### Troubleshooting



**WARNING:** If the engine or cutting blade stops, lift the cutting blade fully from the cut. Set the engine start switch to the stop position and push the machine stop

button on the control panel. Examine the product fully before you start the product again.

---

For more information about warning symbols, refer to the operator's manual for the control panel.

Problem	Cause	Solution
The engine stops during operation.	The fuel tank is empty. The related warning symbol shows on the display.	Fill the fuel tank with correct fuel type.
	The water safety switch stops the engine because there is no water pressure. The related warning symbol shows on the display together with a warning message.	Disengage the water safety switch. Do a check of the water supply.
	The machine stop button is pushed down. The related warning symbol shows on the display together with a warning message.	Pull the machine stop button up to reset the machine stop.
	Too high load on the cutting blade.	Listen to the sound of the engine. If the engine speed decreases, pull the lever for speed control rearward.
	A fuse is broken.	Replace broken fuses.
The cutting blade stops during operation.	The drive belt tension is not sufficient.	Examine the tension of the drive belt.
	The blade clutch is disengaged.	Engage the blade clutch to engage the blade drive. Make sure that the engine speed is 1200 rpm or less when you engage the blade clutch.
	The blade clutch has an electrical failure or broken fuse.	Examine the fuses. Replace broken fuses.
The cutting blade lowers too quickly.	The valve that controls the speed for the cutting blade position is open too much.	Turn the knob for adjustment of the blade lowering speed clockwise until an applicable speed is set.
The cutting blade cuts too slowly.	The cutting blade is blunt or the feeding pressure is too high.	Decrease the cutting depth and engine speed for a short time.
The control unit restarts when you try to start the engine.	The battery voltage is too low.	Charge the battery, replace the battery or use jumper cables.

## Transportation, storage and disposal

### Transportation



**WARNING:** Be careful during transportation. The product is heavy and can cause injury or damage if it falls or moves during transportation.

The wheels let you move the product manually for shorter distances. For longer distances, lift the product to move it or put the product on a vehicle.

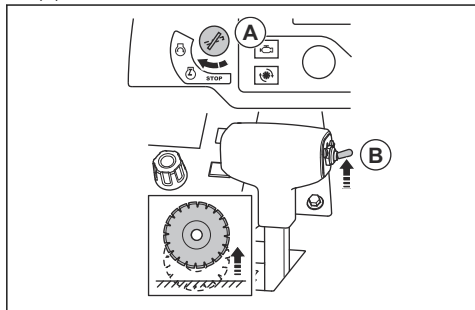


**CAUTION:** Do not tow the product behind a vehicle.

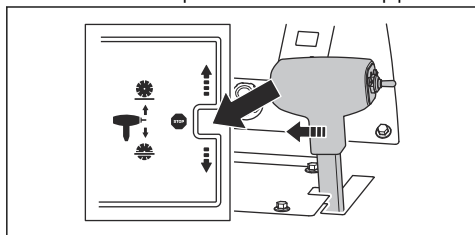
- Safety the product during transportation. Make sure that it cannot move.
- Remove the cutting blade before transportation of the product.
- Remove all tools and wrenches.
- For transportation of the product and fuel, make sure that there are no leaks or fumes. Sparks or open flames, for example from electrical devices or boilers, can start a fire.
- Always use approved containers for transportation of fuel.
- Examine new cutting blades for transport damage.

## To move the product with the engine on

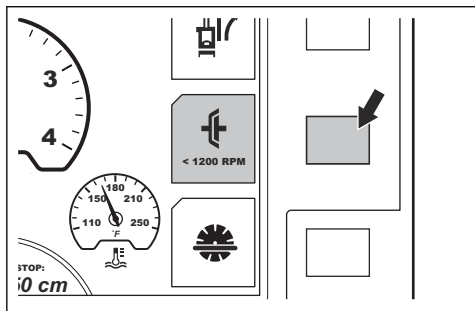
1. Turn the engine start switch to ignition on position (A).



2. Push the switch for cutting depth adjustment (B) up until the cutting blade does not touch the ground.
3. Put the lever for speed control into the stop position.



4. If the product has a blade clutch, make sure that the blade clutch is disengaged. The blade clutch is disengaged when the symbol on the display is not in a different color.



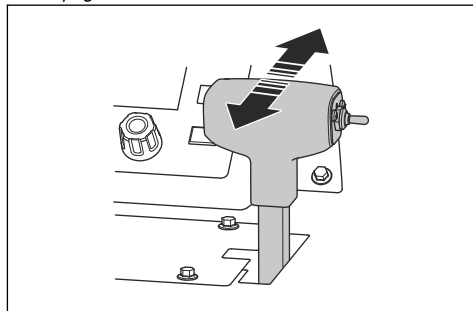
5. If the product does not have a blade clutch, remove the blade or move the gearbox lever to neutral position. Refer to *To remove the cutting blade on page 19* and *To change gears on a 3-speed gearbox model on page 20*.



**WARNING:** For products that do not have a blade clutch, the cutting blade starts to rotate when the engine starts. Do not move the product to the side or

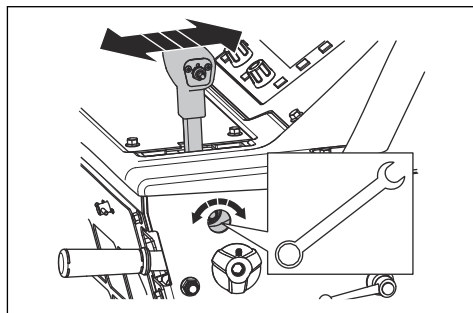
out of the work area if the cutting blade rotates.

6. Start the product. Refer to *To start the product on page 25*.
7. Push the lever for speed control forward for forward saw movement, or rearward for reverse movement. The more you push the lever for speed control, the more the speed increases. Refer to *Technical data on page 46*.



**WARNING:** Do not open the transmission bypass valve to neutral position while the product is parked on a slope. The product can move away from you and cause injury to bystanders.

8. Adjust the resistance on the lever for speed control with the nut on the side of the lever for speed control.



## To move the product up and down a ramp



**WARNING:** Be very careful when you move the product up and down ramps with the engine on. The product is heavy and there is a risk of injury if the product falls or moves too quickly.

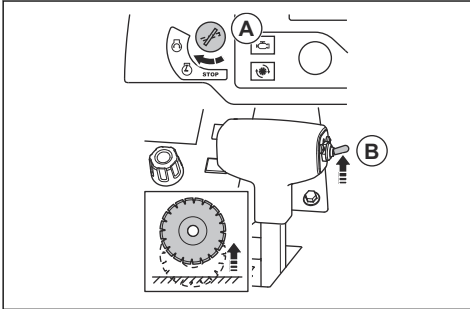


**WARNING:** For ramps with a large angle, always use a winch. Do not walk or stay below the product.

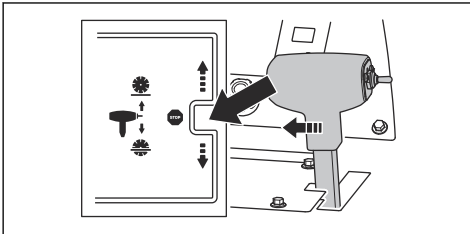
- To move the product down a ramp, operate the product rearward slowly.
- To move the product up a ramp, operate the product forward slowly.

### To move the product with the engine off

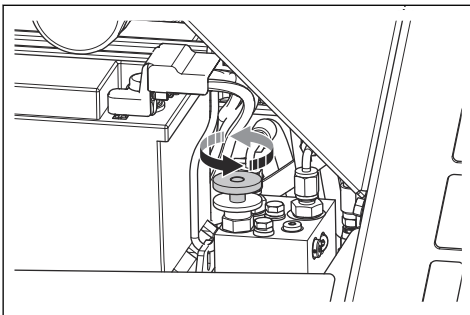
1. Turn the engine start switch to ignition on position (A).



2. Push the switch for cutting depth adjustment (B) up until the cutting blade does not touch the ground.
3. Put the lever for speed control into the stop position.



4. Turn the transmission bypass valve counterclockwise to the end position to disengage the transmission.



5. Hold the operation handles and push the product to move it.



**WARNING:** Do not push the product on a slope while the transmission bypass valve is in neutral

position. The product can move away from you and cause injury to bystanders.

### To lift the product



**WARNING:** Make sure that the lifting equipment has the correct dimension. The type plate on the product shows the product weight.



**WARNING:** Do not lift a damaged product. Make sure that the lifting eye is correctly installed and not damaged.

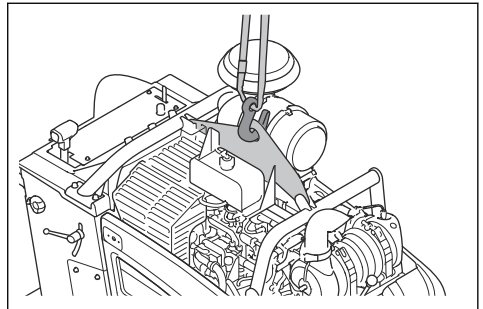


**WARNING:** Do not walk or stay below or near a lifted product.



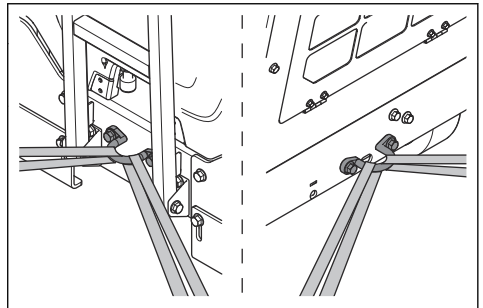
**CAUTION:** Do not use the operation handles to lift the product.

- Attach the lifting equipment through the lifting eye.



### To safety the product to a transportation vehicle

1. Put 1 strap through the tie-down bracket at the front of the product and attach the strap to the vehicle.



2. Put 1 strap through the tie-down bracket at the rear of the product and attach the strap to the vehicle.



## Storage

- The product does not have a parking brake. Do not go away from the product if it is on a slope. If it is necessary to park the product on a slope, make sure that the product is sufficiently attached and cannot move.
- Keep the product in a locked area to prevent access for children or persons that are not approved.
- Drain water from the gearbox.
- Set the engine start switch to the stop position.
- Set the lever for speed control to the stop position.
- Remove the cutting blade from the product.
- Keep the cutting blades in a safe area to prevent damage.
- Keep the cutting blades in a dry and frost-free area.
- Examine new cutting blades for storage damage.
- For storage of the product and fuel, make sure that there are no leaks or fumes. Sparks or open flames, for example from electrical devices or boilers, can start a fire.
- Always use approved containers for storage of fuel.
- Keep the battery in a cool and dry area.

For long-term storage, also do these steps:

- Clean the product and do a complete servicing.
- Lubricate all lubrication points.
- Disconnect the battery cable from the negative battery terminal and put the battery cable at a safe distance away from the battery.
- Do a trickle charging of the battery during long-term storage.
- Fill the fuel tank to prevent water in the fuel system.
- Keep the product in a dry and frost-free area.
- Drain the water separator for the fuel filter.
- Do a check that the freezing point of the engine coolant is sufficient for the temperatures in the storage location.
- Put a protective cover on the product. This is especially important for storage outdoors.
- Replace the engine oil after a long-term storage.

## Disposal


- Chemicals can be dangerous and must not be discarded on the ground. Always discard used chemicals at a service center or an applicable disposal location.
- When the product is worn out, send it to the dealer or to an applicable recycling location.
- Oil, oil filters, fuel and the battery can have negative effects on the environment. Obey the local recycling requirements and applicable regulations.
- Do not discard the battery as domestic waste.
- Send the battery to a Husqvarna service agent or discard it at a disposal location for used batteries.

## Technical data

### Technical data

Engine *	
Engine brand, type	Deutz, TD 2.9 L4
Engine power, kW/hp@rpm <sup>1</sup>	55.4/74.3@2600
Displacement, dm <sup>3</sup> /cu.in.	2.92/178
Cylinders	4
Air filter	Radial seal with pre-cleaner and restriction indicator
Starter	Electric
Fuel	Ultra-low-sulfur diesel fuel only

\* = For further information and questions about this specific engine, refer to the engine manual or the web site of the engine manufacturer.

Fuel and lubrication system	
Fuel tank capacity, l/gal	40/10.6
Oil tank capacity, l/qts	8.5/9
Engine oil	SAE 15W40 or SAE 10W30, API Class CJ-4, ACEA E6-08, ACEA E9-08
Gearbox oil	SAE 75W90
Gearbox oil tank capacity, l/qts	1-Speed gearbox model: 0.95/1 3-Speed gearbox model: 1.77/1.87
Grease	Quality: NLGI 2. Standard: SAE J310
Hydraulic oil	SAE 15W40, API Class SE, API Class CC, API Class CD
Coolant fluid	Ethylene glycol and water, 50/50 mixture. Supplied in the product at purchase.  Propylene glycol and water, 50/50 mixture.
	 <b>CAUTION:</b> Do not make the mixture directly in the tank. It is easier to get the correct 50/50 mixture if you make the mixture in a container.

<sup>1</sup> As specified by engine manufacturer. The power rating of the engines indicated is the average gross power output (at specified rpm.) of a typical production engine for the engine model measured to SAE J1995. Mass production engines may differ from this value. Actual power output for the engine installed in the final machine will depend on the operating speed, environmental conditions and other variables.

<b>Battery</b>	
Terminal type	T6
BCI	94R
Voltage, V	12
Capacity, Ah	80-120
CCA, A	760-860
Max. size L×W×H, mm/in.	316x175x190 / 12.4×6.9×7.5

<b>Saw setup, FS7000 D</b>	<b>500/20</b>	<b>650/26</b>	<b>750/30</b>	<b>900/36</b>	<b>1000/42</b>
Blade guard capacity, mm/in.	500/20	650/26	750/30	900/36	1000/42
Max. cutting depth, mm/in.	193/7.75	262/10.5	312/12.5	374/15	411/17.5
Blade shaft, rpm	2362	1762	1624	1354	1150
Approximate blade shaft output, kW/hp	68/50				
Arbor size, mm/in.	25.4/1 with five drive pins				
Quick disconnect blade flange diameter, mm/in.	114.5/4.5	127/5	127/5	152.5/6	178/7
Blade shaft drive	3 VX V-belts				
Blade coolant	Water				
Blade guard attachment	Slip-on, auto-latch				
Propulsion	Hydraulic				
Max. ground speed	Infinitely variable: 0-76 m/min / 0-250 fpm forward and reverse. 25 m/min max. reverse speed on CE models.				
Nominal weight (uncrated), kg/lb	960/2116	980/2161	980/2161	1000/2205	1050/2315
Max. operating weight incl. optional accessories, kg/lb	1030/2271	1050/2315	1050/2315	1070/2359	1120/2469

<b>Saw setup, FS7000 DL</b>	<b>650/26</b>	<b>900/36</b>	<b>1000/42</b>	<b>1200/48</b>	<b>1500/60</b>
Blade guard capacity, mm/in.	650/26	900/36	1000/42	1200/48	1500/60
Maximum cutting depth, mm/in.	262/10.5	374/15	411/17.5	498/20	623/25
Blade shaft, rpm	1762	1354	1150	1015	792
Approximate blade shaft output, kW/hp	68/50				
Arbor size, mm/in.	25.4/1 with 6 screws				
Quick disconnect blade flange diameter, mm/in.	127/5	152.5/6	178/7	203.2/8	254/10

Saw setup, FS7000 DL	650/26	900/36	1000/42	1200/48	1500/60
Blade shaft drive	3 VX V-belts				
Blade coolant	Water				
Blade guard attachment	Slip-on, auto-latch			Bolt on	
Propulsion	Hydraulic				
Max. ground speed	Infinitely variable: 0-76 m/min / 0-250 fpm forward and reverse. 25 m/min maximum reverse speed on CE models.				
Nominal weight (uncrated), kg/lb	1010/2226	1030/2271	1040/2293	1050/2315	1290/2844
Max. operating weight incl. optional accessories, kg/lb	1070/2359	1090/2403	1110/2447	1120/2469	1360/2998

Noise and vibration emissions	
Sound power level, measured dB (A)	115
Sound power level, guaranteed $L_{WA}$ dB (A) <sup>2</sup>	119
Sound pressure level at the operator's ear, dB (A) <sup>3</sup>	101
Vibration level, $a_{HV}$ , m/s <sup>2</sup> , right handle/left handle <sup>4</sup>	<2.5/<2.5

## Noise and vibration declaration statement

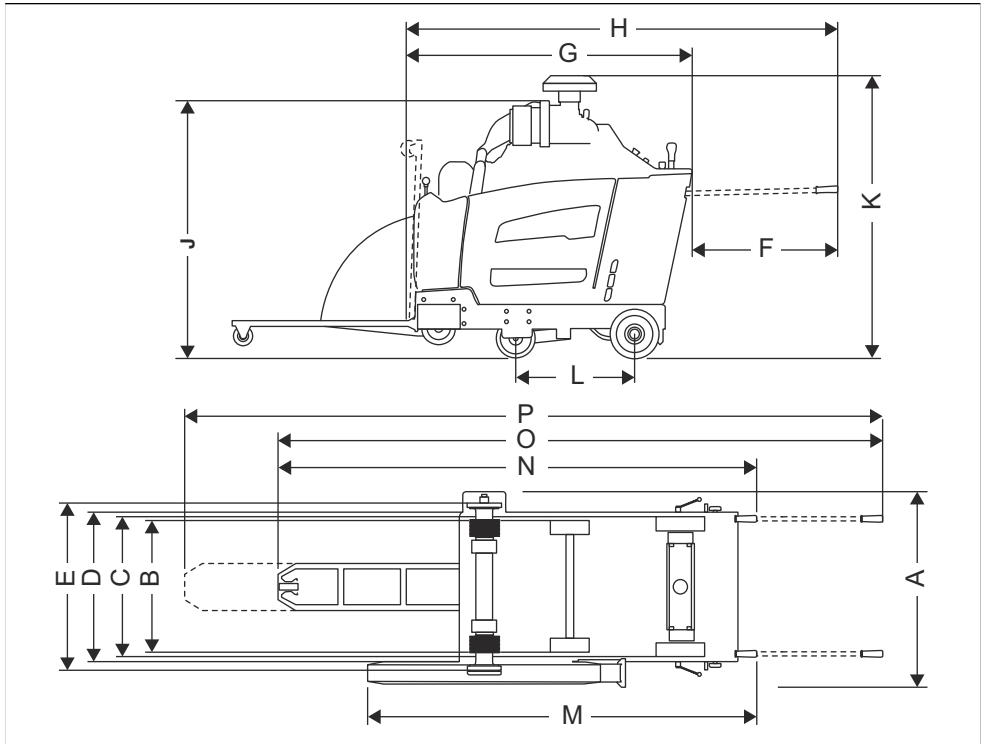
These declared values were obtained by laboratory type testing in accordance with the stated directive or standards and are suitable for comparison with the declared values of other products tested in accordance with the same directive or standards. These declared values are not suitable for use in risk assessments and values measured in individual work places may be higher. The actual exposure values and risk of harm experienced by an individual user are unique and depend upon the way the user works, in what material the product is used, as well as upon the exposure time and the physical condition of the user, and the condition of the product.

<sup>2</sup> Noise emissions in the environment measured as sound power ( $L_{WA}$ ) in conformity with EC directive 2000/14/EC. The difference between guaranteed and measured sound power is that the guaranteed sound power also includes dispersion in the measurement result and the variations between different machines of the same model according to Directive 2000/14/EC.

<sup>3</sup> Noise pressure level according to ISO EN 13862. Reported data for noise pressure level has a typical statistical dispersion (standard deviation) of 2.5 dB(A).

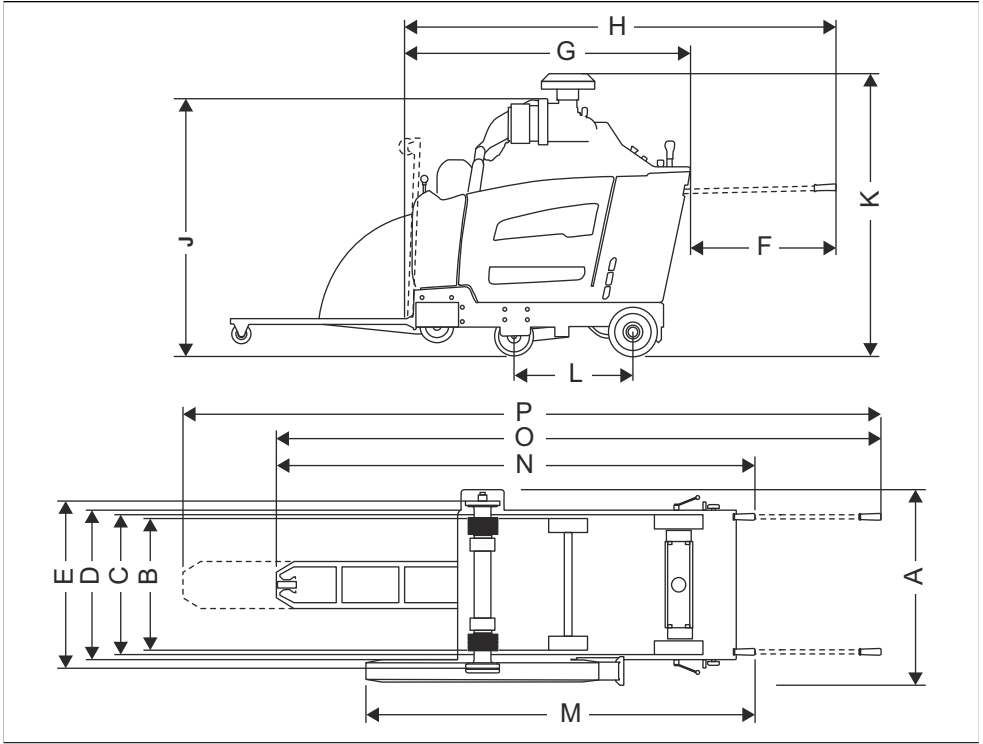
<sup>4</sup> Vibration level according to EN 13862. Reported data for vibration level has a typical statistical dispersion (standard deviation) of 1 m/s<sup>2</sup>.

## Product dimensions (FS7000 D)



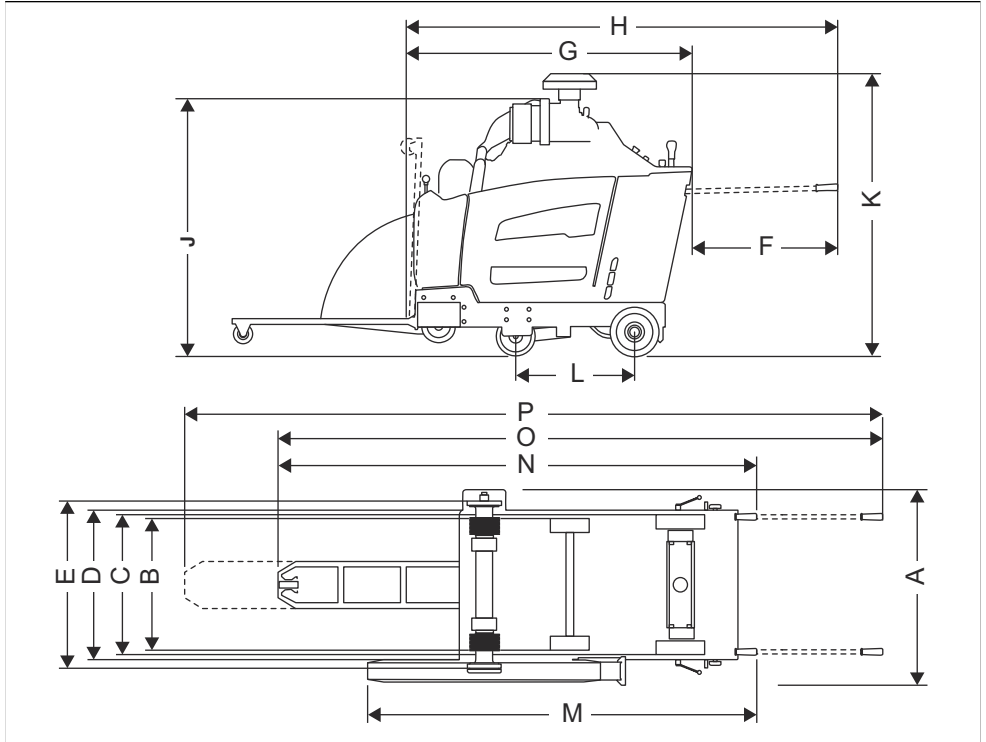
<b>A</b>	Width, mm/in.	974/38.4	<b>J</b>	Min. total height (no exhaust pipe, no precleaner cap), mm/in.	1319/51.9
<b>B</b>	Center to center wheel width, mm/in.	Front: 604/23.8, rear: 646/25.4	<b>K</b>	Max. total height (top of precleaner), mm/in.	1499/59
<b>C</b>	Outside to outside wheel width, mm/in.	Front: 680/26.8, rear: 722/28.4	<b>L</b>	Wheel base length, mm/in.	597/23.5
<b>D</b>	Frame width, mm/in.	750/29.5	<b>M</b>	Length, guard to handle (handles in), mm/in.	1961/77.2
<b>E</b>	Inner flange to inner flange width, mm/in.	829.5/32.7	<b>N</b>	Max. total length (handles in), mm/in.	2500/98.4
<b>F</b>	Handle extension, mm/in.	809/31.9	<b>O</b>	Max. total length (handles out, pointer down), mm/in.	3190/125.6
<b>G</b>	Min. saw length (pointer and guard up, no handles), mm/in.	1642/64.6	<b>P</b>	Max. total length (handles out, pointer extended), mm/in.	3670/144.5
<b>H</b>	Saw length (pointer up, handles out), mm/in.	2417/95.2			

## Product dimensions (FS7000 DL, 36-48 in.)



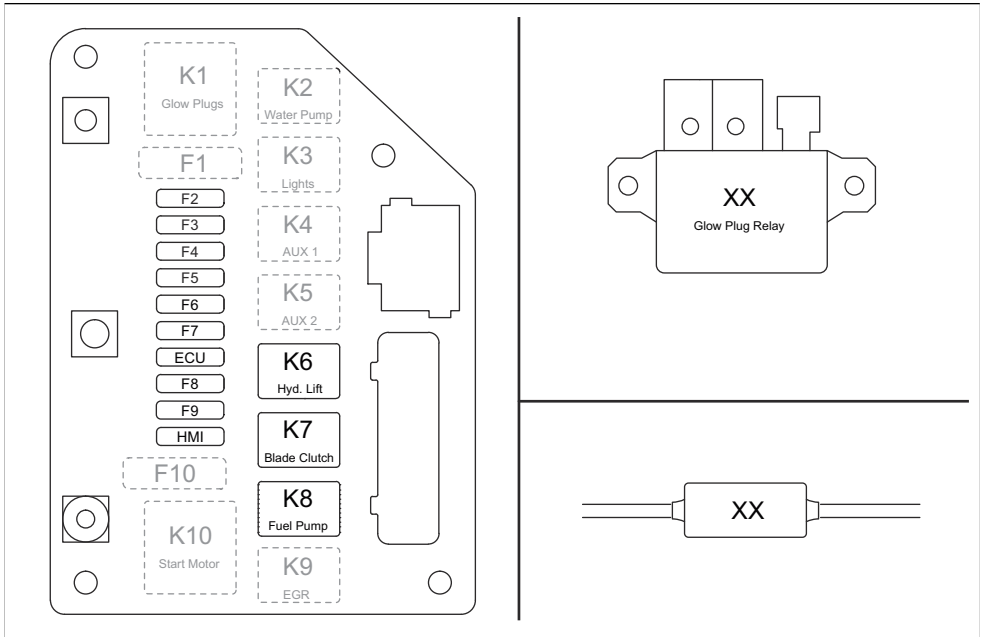
<b>A</b>	Width, mm/in.	990/39	<b>J</b>	Min. total height (no exhaust pipe, no precleaner cap), mm/in.	1319/51.9
<b>B</b>	Center to center wheel width, mm/in.	Front: 604/23.8, rear: 646/25.4	<b>K</b>	Max. total height (top of precleaner), mm/in.	1499/59
<b>C</b>	Outside to outside wheel width, mm/in.	Front: 680/26.8, rear: 722/28.4	<b>L</b>	Wheel base length, mm/in.	597/23.5
<b>D</b>	Frame width, mm/in.	750/29.5	<b>M</b>	Length, guard to handle (handles in), mm/in.	2465/97
<b>E</b>	Inner flange to inner flange width, mm/in.	830/32.7	<b>N</b>	Max. total length (handles in), mm/in.	2793/110
<b>F</b>	Handle extension, mm/in.	809/31.9	<b>O</b>	Max. total length (handles out, pointer down), mm/in.	3483/137.1
<b>G</b>	Min. saw length (pointer and guard up, no handles), mm/in.	1941/76.4	<b>P</b>	Max. total length (handles out, pointer extended), mm/in.	3963/156
<b>H</b>	Saw length (pointer up, handles out), mm/in.	2417/95.2			

## Product dimensions (FS7000 DL, 60 in.)



<b>A</b>	Width, mm/in.	1003/39.5	<b>J</b>	Min. total height (no exhaust pipe, no precleaner cap), mm/in.	2918/114.9
<b>B</b>	Center to center wheel width, mm/in.	Front: 604/23.8, rear: 646/25.4	<b>K</b>	Max. total height (top of pre-cleaner), mm/in.	1499/59
<b>C</b>	Outside to outside wheel width, mm/in.	Front: 680/26.8, rear: 722/28.4	<b>L</b>	Wheel base length, mm/in.	597/23.5
<b>D</b>	Frame width, mm/in.	750/29.5	<b>M</b>	Length, guard to handle (handles in), mm/in.	2465/97
<b>E</b>	Inner flange to inner flange width, mm/in.	825/32.5	<b>N</b>	Max. total length (handles in), mm/in.	2977/117.2
<b>F</b>	Handle extension, mm/in.	809/31.9	<b>O</b>	Max. total length (handles out, pointer down), mm/in.	3571/140.6
<b>G</b>	Min. saw length (pointer and guard up, no handles), mm/in.	2324/91.5	<b>P</b>	Max. total length (handles out, pointer extended), mm/in.	4051/159.5
<b>H</b>	Saw length (pointer up, handles out), mm/in.	2417/95.2			

## Relays and fuses



Function	Designation	Relay (A)	Designation	Fuse (A)
Glow plugs	K1	(not used)	F1	(not used)
Water pump (optional)	K2	25	F2	25
Lights (optional)	K3	25	F3	25
Slurry system (optional)	K4	25	F4	25
5th wheel (optional)	K5	25	F5	25
Hydraulic lift pump	K6	25	F6	25
Blade clutch	K7	25	F7	15
Fuel pump	K8	25	F8	20
EGR/Fuel Sol.	K9	(not used)	F9	(not used)
Start motor	K10	(not used)	F10	(not used)
ECU	n/a	n/a	ECU	25
HMI	n/a	n/a	HMI	25



---

## Accessories

---

### Approved Husqvarna accessories

- Rear weight kit, 2 bars.
- Dual light kit.
- Water pump kit.
- 5th wheel kit.

---

## Contenido

---


Introducción.....	54	Solución de problemas.....	94
Seguridad.....	62	Transporte, almacenamiento y eliminación de residuos.....	95
Funcionamiento.....	67	Datos técnicos.....	99
Mantenimiento.....	81	Accesorios.....	109

---

## Introducción

---

### Propuesta 65 de California

**¡ADVERTENCIA!**  
Los gases de escape del motor de este producto contienen sustancias químicas conocidas en el Estado de California como causantes de cáncer, defectos congénitos y otros daños reproductivos.

### Responsabilidad del propietario

---



**ADVERTENCIA:** Cuando corta con la máquina, especialmente cuando se corta EN SECO, el material que corta produce polvo que con frecuencia contiene sílice. El sílice es un componente básico de la arena, el cuarzo, la arcilla de los ladrillos, el granito y otros numerosos minerales y rocas. La exposición a una cantidad excesiva de ese polvo puede causar:

Producto de la exposición a la sílice se pueden ocasionar enfermedades respiratorias (que afectan la capacidad de respirar) como la bronquitis crónica, la silicosis y la fibrosis pulmonar. Estas enfermedades pueden ser mortales.

Irritación cutánea y sarpullido.

Cáncer, según el NTP\* y la IARC\* \*/National Toxicology Program (Programa Nacional de Toxicología) y Centro Internacional de Investigaciones sobre el Cáncer.

Tome medidas preventivas:

Evite inhalar y que su piel entre en contacto con el polvo, el vaho y los gases.

Utilice artículos apropiados para la protección respiratoria como máscaras contra polvo diseñadas para filtrar partículas microscópicas, y asegúrese de que todas las personas que se encuentren cerca

también lo hagan. (Consulte la normativa OSHA 29 CFR Parte 1926.1153)

Corte húmedo para minimizar las emisiones de polvo.

Es responsabilidad del propietario o empleador que el usuario tenga los conocimientos necesarios sobre cómo utilizar el producto de forma segura. Los supervisores y usuarios deben haber leído y comprendido el manual de usuario. Deben tener conocimiento de lo siguiente:

- Las instrucciones de seguridad de los productos.
- La gama de aplicaciones y limitaciones de los productos.
- Cómo el producto se va a utilizar y mantener.

El uso de este producto podría estar restringido por normas nacionales o locales. Infórmese sobre qué normas se aplican en el lugar donde trabaja antes de comenzar a utilizar el producto.

### Descripción del producto

El producto es una sierra de piso con motor de combustión. El producto dispone de un puntero ajustable que permite ver la operación con claridad y facilita el corte recto. El producto tiene un panel de control con pantalla digital que muestra todas las funciones.

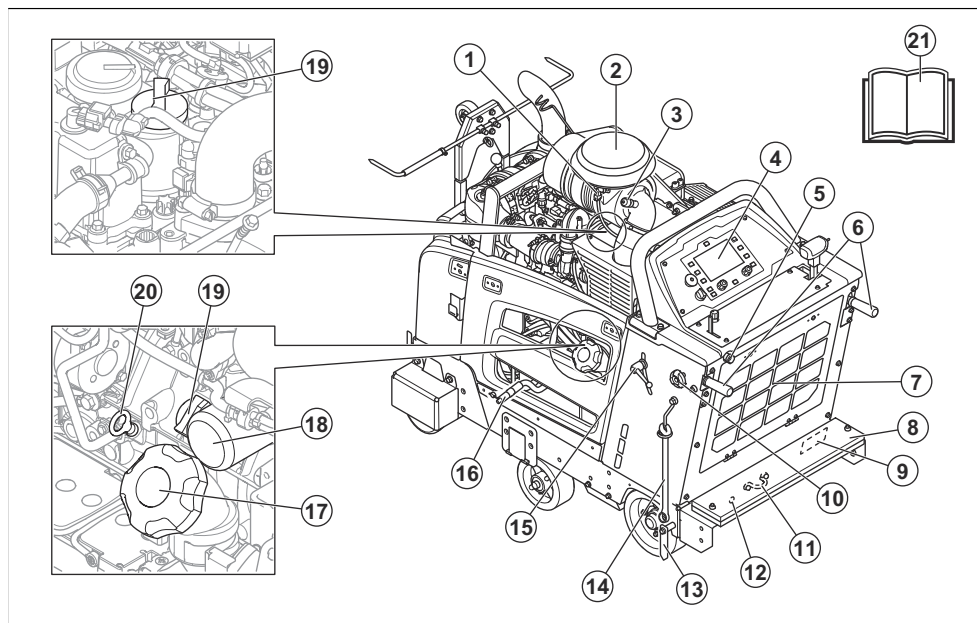
### Uso previsto

Este producto se utiliza con hojas de diamante para el corte húmedo de materiales duros de superficies de

pisos como hormigón, asfalto y piedra. No se debe usar para ningún otro propósito.

El producto lo deben utilizar operadores experimentados en tareas industriales.

## Descripción general del producto, lado izquierdo (FS7000 D)

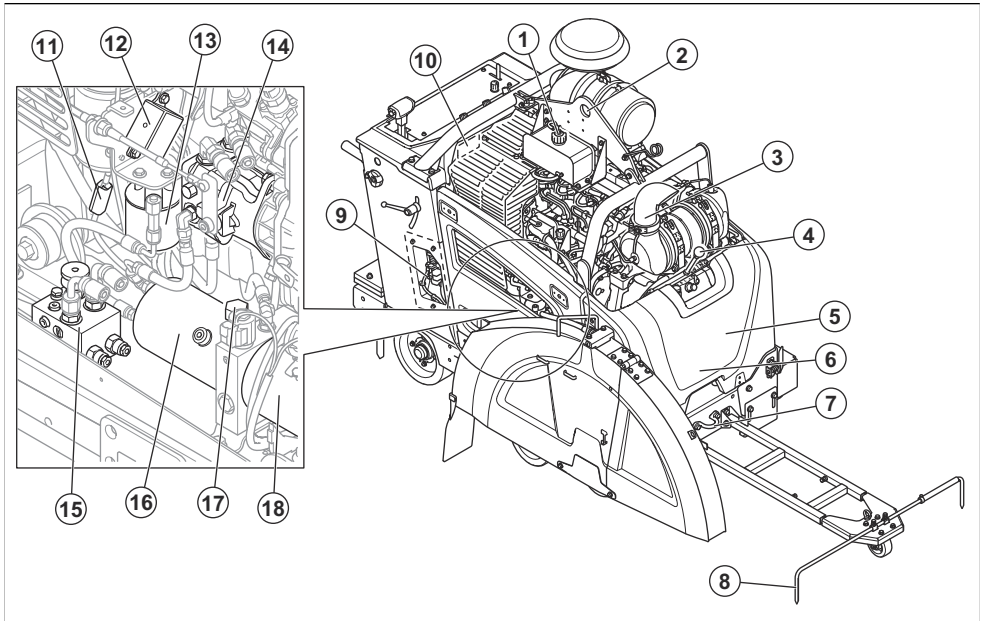


**Tenga en cuenta:** El producto puede tener diferentes configuraciones. Por lo tanto, el aspecto del producto puede ser distinto del que aparece en la descripción general.

1. Sensor de temperatura ambiente
2. Filtro de aire
3. Indicador del filtro de aire
4. Panel de control y pantalla
5. Admisión de agua
6. Manijas de operación
7. Filtro de aire del radiador
8. Kit de peso
9. Placa de identificación para la UE
10. Perilla de bloqueo para las manijas de operación del ajuste de largo

11. Soporte de sujeción trasero
12. Ajuste de eje manual
13. Puntero trasero
14. Llave para eje del disco
15. Perilla de bloqueo para las manijas de operación del ajuste de altura
16. Manguera de drenaje del aceite del motor
17. Tapa del depósito de combustible
18. Filtro de aceite del motor
19. Tapón del depósito de aceite para el aceite del motor
20. Cala aceite del motor
21. Manual del usuario

## Descripción general del producto, lado derecho (FS7000 D)

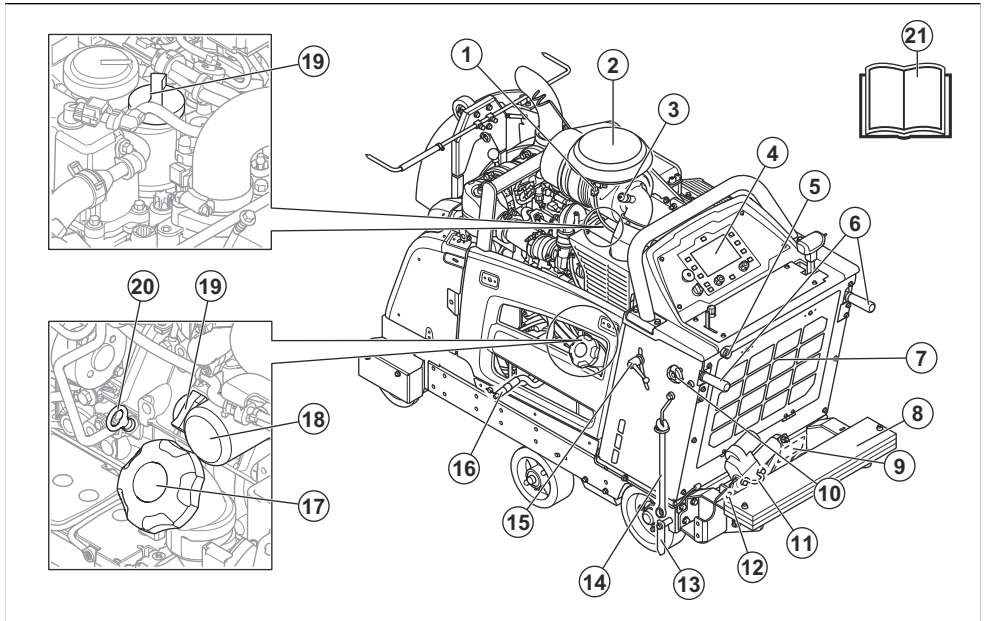


**Tenga en cuenta:** El producto puede tener diferentes configuraciones. Por lo tanto, el aspecto del producto puede ser distinto del que aparece en la descripción general.

1. Tapa de llenado de refrigerante del radiador
2. Cáncamo
3. Silenciador
4. Palanca de cambios, modelo con caja de cambios de 3 velocidades
5. Pernos para la tensión de la correa, detrás de la cubierta protectora
6. Válvula de drenaje de agua de la caja de cambios, detrás de la cubierta protectora

7. Soporte de sujeción frontal
8. Puntero ajustable
9. Caja de relés y fusibles
10. Placa de identificación para Canadá/EE. UU.
11. Fusible de la bujía incandescente
12. Relé de la bujía incandescente
13. Filtro del sistema hidráulico
14. Bomba de la transmisión hidrostática
15. Válvula de derivación de la transmisión
16. Depósito hidráulico
17. Orificio del depósito hidráulico
18. Bomba de elevación hidráulica

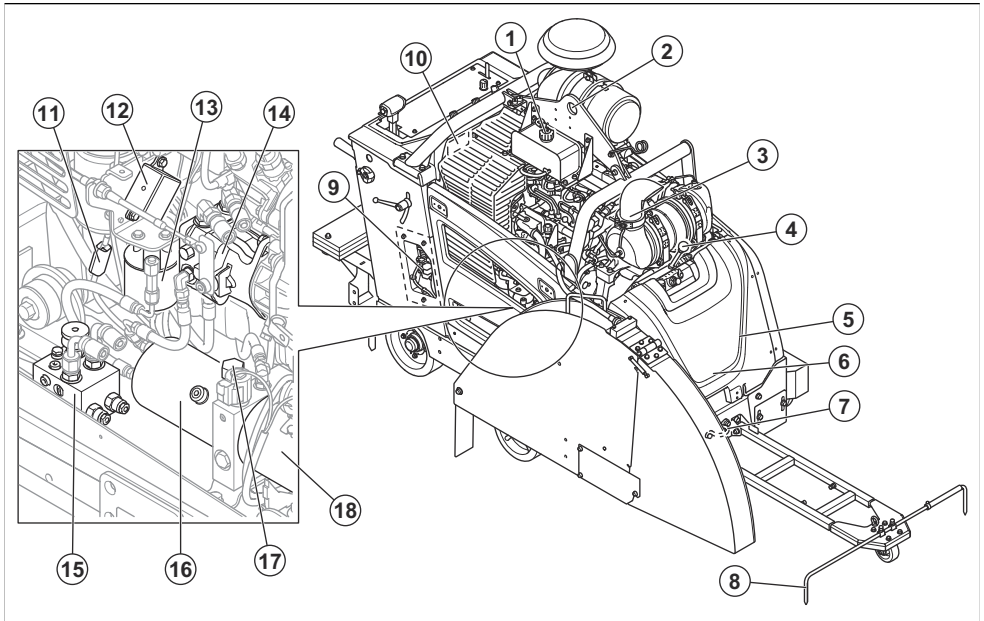
## Descripción general del producto, lado izquierdo (FS7000 DL)



**Tenga en cuenta:** El producto puede tener diferentes configuraciones. Por lo tanto, el aspecto del producto puede ser distinto del que aparece en la descripción general.

- |  |   |
|--|---|
| 1. Sensor de temperatura ambiente  | 11. Soporte de sujeción trasero   |
| 2. Filtro de aire  | 12. Ajuste de eje manual  |
| 3. Indicador del filtro de aire  | 13. Puntero trasero   |
| 4. Panel de control y pantalla   | 14. Llave para eje del disco  |
| 5. Admisión de agua  | 15. Perilla de bloqueo para las manijas de operación del ajuste de altura |
| 6. Manijas de operación  | 16. Manguera de drenaje del aceite del motor                              |
| 7. Filtro de aire del radiador   | 17. Tapa del depósito de combustible                                      |
| 8. Kit de peso   | 18. Filtro de aceite del motor  |
| 9. Placa de identificación para la UE                                    | 19. Tapón del depósito de aceite para el aceite del motor                 |
| 10. Perilla de bloqueo para las manijas de operación del ajuste de largo | 20. Cala aceite del motor   |
|  | 21. Manual del usuario  |

## Descripción general del producto, lado derecho (FS7000 DL)

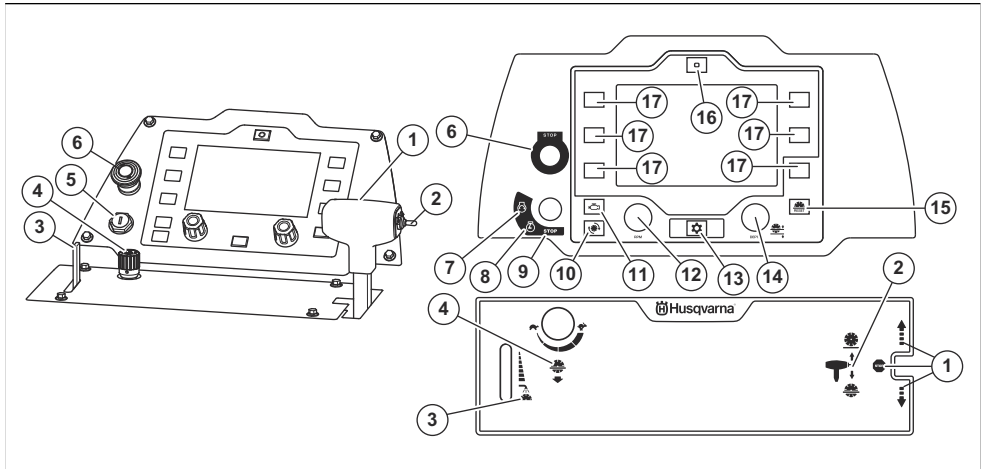


**Tenga en cuenta:** El producto puede tener diferentes configuraciones. Por lo tanto, el aspecto del producto puede ser distinto del que aparece en la descripción general.

1. Tapa de llenado de refrigerante del radiador
2. Cáncamo
3. Silenciador
4. Palanca de cambios, modelo con caja de cambios de 3 velocidades
5. Pernos para la tensión de la correa, detrás de la cubierta protectora
6. Válvula de drenaje de agua de la caja de cambios, detrás de la cubierta protectora

7. Soporte de sujeción frontal
8. Puntero ajustable
9. Caja de relés y fusibles
10. Placa de identificación para Canadá/EE. UU.
11. Fusible de la bujía incandescente
12. Relé de la bujía incandescente
13. Filtro del sistema hidráulico
14. Bomba de la transmisión hidrostática
15. Válvula de derivación de la transmisión
16. Depósito hidráulico
17. Orificio del depósito hidráulico
18. Bomba de elevación hidráulica

## Descripción general de los controles y del panel de control



1. Palanca de ajuste del régimen de velocidad. Avance, retroceso y detención de la transmisión\*
2. Interruptor para el ajuste de la profundidad de corte\*
3. Palanca del sistema de refrigeración por agua del disco de corte\*
4. Perilla de ajuste de la velocidad de descenso de la hoja\*
5. Interruptor de arranque del motor
6. Botón de detención de la máquina\*
7. Posición de arranque del motor\*
8. Posición de encendido activado\*
9. Posición de detención del motor\*
10. Botón para mostrar la velocidad de la hoja en r. p. m. en la pantalla\*
11. Botón para mostrar el régimen del motor en r. p. m. en la pantalla\*
12. Perilla del acelerador
13. Botón de menú\*
14. Perilla de ajuste del tope de profundidad de la cuchilla\*
15. Botón de reinicio del tope de profundidad de la cuchilla\*
16. Botón de reinicio de E-track\* (optativo)
17. Botón de selección

\* = Consulte también *Símbolos en la máquina* en la página 59.

### Símbolos en la máquina



**ADVERTENCIA:** Este producto puede ser peligroso y provocar daños graves o fatales al operador o a otras personas. Tenga cuidado y utilice el producto correctamente.



Lea atentamente el manual de instrucciones y asegúrese de que entiende las instrucciones antes de usar este producto.



Utilice protectores auriculares, protección ocular y protección respiratoria. Consulte *Equipo de protección personal* en la página 64.



Todo desplazamiento de la máquina fuera del área de corte debe realizarse sin rotación de la herramienta.



Para evitar que el disco de corte se dañe, quítelo antes de transportar el producto y de levantarlo.



El producto siempre debe tener instaladas las protecciones de la hoja. No deje que sobresalgan más de 180° del disco de corte.



Asegúrese de que el disco de corte no esté desafilado y de que no tenga daños, como grietas.



Asegúrese de que el disco de corte corresponda a la misma velocidad o a una velocidad más alta que el valor que se indica en la placa de identificación del producto. Si el disco de corte se utiliza

a una velocidad demasiado alta, puede romperse y causar lesiones o daños.



No utilice el producto cerca de sustancias o gases inflamables.



El polvo puede provocar problemas de salud. Utilice una protección respiratoria aprobada. No inhale los gases de escape. No utilice el motor de combustión en interiores ni en zonas que no tengan suficiente flujo de aire.



Superficie caliente.



Mantenga las partes del cuerpo alejadas del disco de corte y otras piezas móviles.



Riesgo de corte. Mantenga todas las partes del cuerpo lejos del disco de corte.



Utilice solo combustible diésel con contenido ultrabajo de azufre.



Aceite del motor.



Varilla de nivel.



No levante la sierra cuando verifique el nivel de aceite del motor.



Asegúrese de que la sierra esté nivelada sin el disco de corte cuando examine el nivel de aceite del motor.



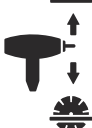
La flecha que aparece en la protección de la hoja muestra el sentido de rotación del disco de corte.



Levante siempre el producto por el cáncamo.



Detención de la transmisión.



Interruptor para el ajuste de la profundidad de corte.



Palanca del sistema de refrigeración por agua.



Perilla de ajuste de la velocidad de descenso de la hoja.



Lento.



Rápido.



Detención de la máquina.



Arranque del motor.



Encendido activado.



Detención del motor.



Mostrar la velocidad de la hoja en r. p. m. en la pantalla.





Mostrar el régimen del motor en r. p. m. en la pantalla.



Botón de menú.



Perilla de ajuste del tope de profundidad de la cuchilla.



Botón de reinicio del tope de profundidad de la cuchilla.



Botón de reinicio del ajuste de E-track (optativo).



Este producto cumple con las directivas CE pertinentes.



Las emisiones sonoras hacia el medioambiente cumplen con las directivas CE pertinentes. Las emisiones sonoras del producto se especifican en *Equipo de protección personal en la página 64* y en la etiqueta.

**Tenga en cuenta:** Otros símbolos o etiquetas en la máquina hacen referencia a requisitos de certificación para algunos mercados.

## Símbolos de la pantalla del panel de control



Ajuste de E-track, izquierda (optativo).



Ajuste de E-track, derecha (optativo).



Sistema de seguridad del agua ENCENDIDO/APAGADO. El sistema de seguridad del agua muestra la presión del agua que va hacia el sistema de refrigeración por agua del disco de corte. Si la presión del agua disminuye, el sistema de seguridad del agua detiene el disco de corte.



Acople/desacople el embrague de la hoja. Esta función no se incluye como estándar en todas las variantes de producto.



Tope de profundidad de la cuchilla.

## Símbolos de advertencia de la pantalla del panel de control



Se activó la detención de la máquina. Vuelva a poner el botón de detención de la máquina en su condición inicial y realice un ciclo de encendido.



La batería no se carga.



Nivel de combustible bajo.



Pre calentamiento. Para obtener más información, consulte el manual del motor.



No hay presión de agua en el sistema de refrigeración por agua del disco de corte.



Presión de aceite de motor baja.



Detención del motor. La operación no puede continuar.



Motor sobrecalentado. La operación no puede continuar. Para obtener más información, consulte el manual del motor.



Problema moderado del motor. La operación puede continuar.



Falla del motor. Para obtener más información, consulte el manual del motor.



Se requiere regeneración. Consulte *Regeneración en la página 93*. Válido solo para productos que cumplan con las normas de emisiones Euro V.



Sustituya el filtro de partículas diésel (DPF). Consulte *Sustituya el filtro de partículas diésel en la página 94*. Válido solo para productos que cumplan con las normas de emisiones Euro V.



Código de error no relacionado con el motor.

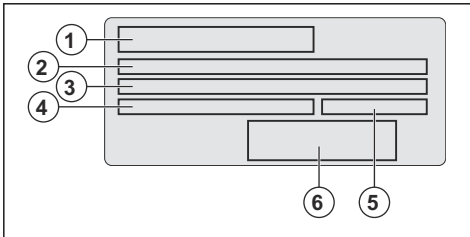


Falla en el sistema de control de diagnóstico de NOx. Válido solo para productos que cumplan con las normas de emisiones Euro V.



Agua en el combustible.

## Placa de identificación para EE. UU./ Canadá



1. Marca

2. Número de la máquina
3. Modelo
4. Número de serie
5. Fecha de fabricación, año, semana
6. Fabricante, dirección, número de teléfono

## Daños en el producto

No somos responsables de los daños a nuestro producto en los siguientes casos:

- el producto se repara incorrectamente
- el producto se repara con piezas que no son del fabricante o que este no autoriza
- el producto tiene un accesorio que no es del fabricante o que este no autoriza
- el producto no se repara en un centro de servicio autorizado o por una autoridad aprobada.

## CONSEJO DE RECURSOS DEL AIRE DE CALIFORNIA (CARB)

**Tenga en cuenta:** Esta máquina se considera un adelanto en cuanto a aplicaciones todo terreno en relación con los estándares del CARB. La EPA de EE. UU. tiene exclusiva autoridad para establecer normas de emisiones para equipos de construcción anticipados.

## Emisiones de acuerdo con Tier 4 Final de la EPA

El producto cumple la norma sobre emisiones de gases de escape Tier 4 Final.

# Seguridad

## Definiciones de seguridad

Las advertencias, precauciones y notas se utilizan para señalar las piezas particularmente importantes del manual.



**ADVERTENCIA:** Se utilizan para señalar el riesgo de lesiones graves o mortales para el operador o para aquellos que se encuentren cerca si no se siguen las instrucciones del manual.



**AVISO:** Se utilizan para señalar el riesgo de dañar la máquina, otros materiales o el área adyacente si no se siguen las instrucciones del manual.

**Tenga en cuenta:** Se utilizan para entregar más información necesaria en situaciones particulares.

## Instrucciones generales de seguridad



**ADVERTENCIA:** Lea atentamente las instrucciones de advertencia siguientes antes de usar el producto.

- Este producto puede ser una herramienta peligrosa si no se maneja con cuidado o si utiliza el producto de forma incorrecta. Este producto puede causar daños graves o fatales al operador o a otras personas. Antes de utilizar el producto, es muy importante que lea y comprenda el contenido de este manual de usuario.
- Guarde todas las advertencias y las instrucciones.
- Cumpla todas las leyes y reglamentos vigentes.
- El operador y el empleador del operador deben conocer y evitar los riesgos durante la operación del producto.
- No permita que nadie que no haya leído y comprendido el contenido del manual de usuario utilice el producto.

- No utilice el producto si no ha recibido capacitación antes de su uso. Asegúrese de que todos los usuarios reciban capacitación.
- Restrinja el uso del producto solo a personas autorizadas.
- El operador es responsable de los accidentes que puedan ocurrirles a otras personas o a sus propiedades.
- No utilice el producto si está cansado, enfermo o bajo la influencia de alcohol, drogas o medicamentos.
- Sea siempre cuidadoso y use el sentido común.
- En este producto se genera un campo electromagnético durante su funcionamiento. Este campo puede, en determinadas circunstancias, interferir en implantes médicos activos o pasivos. Para reducir el riesgo de daños graves o mortales, se recomienda que las personas con implantes médicos consulten a su médico y al fabricante del implante médico antes de utilizar este producto.
- Mantenga la máquina limpia. Asegúrese de que puede leer señales y etiquetas claramente.
- No utilice el producto si se encuentra defectuoso.
- No modifique este producto.
- No utilice el producto si es posible que otras personas hayan realizado modificaciones en el mismo.

## Instrucciones de seguridad para el funcionamiento



**ADVERTENCIA:** Lea atentamente las instrucciones de advertencia siguientes antes de usar el producto.

- Lea las instrucciones de advertencia del disco de corte indicadas por el fabricante del disco de corte.
- Asegúrese de que el producto esté montado correctamente.
- No opere el producto si no tiene instaladas la protección de la hoja y las cubiertas protectoras.
- Si el producto no se opera correctamente, el disco de corte se puede romper y causar lesiones o daños.
- Asegúrese de saber cómo detener el motor rápidamente en caso de emergencia.
- Utilice equipo de protección personal. Consulte *Equipo de protección personal en la página 64*.
- Asegúrese de que solo personas autorizadas estén en la zona de trabajo.
- Asegúrese de que los cables eléctricos de la zona de trabajo estén sin corriente.
- Mantenga el área de trabajo limpia y despejada.
- Antes de utilizar el producto, averigüe si hay cables y tuberías ocultos en la zona de trabajo. Si el producto se topa con un objeto oculto, detenga el motor inmediatamente y examine el producto y el objeto. No comience a utilizar el producto

nuevamente hasta asegurarse de que sea seguro continuar.

- No utilice el producto en condiciones climáticas desfavorables, como nieblas densas, lluvias abundantes, vientos fuertes y fríos intensos. El trabajo en condiciones climáticas desfavorables es agotador y puede provocar condiciones peligrosas, como superficies resbaladizas.
- Asegúrese de encontrarse en una posición segura y estable durante la operación.
- No utilice el producto en áreas donde se pueden producir explosiones o fuego.
- El producto puede hacer que los objetos salgan eyectados a alta velocidad. Asegúrese de que todas las personas en el área de trabajo utilicen equipos de protección personal aprobados. Retire los objetos sueltos del área de trabajo.
- Los gases de escape del motor contienen monóxido de carbono, un gas inodoro, tóxico y muy peligroso. No utilice el motor de combustión en interiores ni en zonas que no tengan suficiente flujo de aire.
- Antes de alejarse del producto, detenga el motor y asegúrese de que no exista riesgo de que se ponga en marcha de forma accidental.
- El producto no tiene freno de estacionamiento. No se aleje del producto cuando esté en una pendiente. Si se ve obligado a estacionar el producto en una pendiente, asegúrese de que esté bien sujeto y de que no se pueda mover.
- Tenga mucho cuidado cuando trabaje en pendientes. El producto es pesado y puede causar daños graves si se cae.
- Asegúrese de que ningún material se pueda aflojar y causar lesiones al operador.
- Asegúrese de que ninguna prenda, cabello largo o joya puedan quedar atrapados en las piezas móviles.
- No utilice el producto si no puede recibir ayuda en caso de que ocurra un accidente.

## Seguridad de los gases de escape



**ADVERTENCIA:** Lea atentamente las instrucciones de advertencia siguientes antes de usar el producto.

- Los gases de escape del motor contienen monóxido de carbono, un gas inodoro, tóxico y muy peligroso. Respirar monóxido de carbono puede provocar la muerte. Dado que el monóxido de carbono es inodoro y no se puede ver, no es posible detectarlo. Un síntoma de intoxicación por monóxido de carbono es el mareo, pero también es posible que la persona pierda la conciencia sin previo aviso si la cantidad o concentración de monóxido de carbono es suficiente.
- Los gases de escape que se pueden ver u oler también contienen monóxido de carbono.

- No utilice el motor de combustión en interiores ni en zonas que no tengan suficiente flujo de aire.

## Seguridad de vibración



**ADVERTENCIA:** Lea atentamente las instrucciones de advertencia siguientes antes de usar el producto.

- Durante el funcionamiento del producto, se transmiten vibraciones del producto al operador. El uso frecuente y regular del producto puede provocarle lesiones al operador o aumentar el grado de estas. Se pueden producir lesiones en los dedos, las manos, las muñecas, los brazos, los hombros o los nervios, así como en el riego sanguíneo u otras partes del cuerpo. Las lesiones pueden ser debilitantes o permanentes, y pueden aumentar gradualmente durante semanas, meses o años. Entre las posibles lesiones se incluyen daños en el sistema de circulación sanguínea, el sistema nervioso, las articulaciones y otras estructuras corporales.
- Los síntomas pueden presentarse durante el funcionamiento del producto o en otro momento. Si tiene síntomas y continúa utilizando el producto, los síntomas pueden aumentar o hacerse permanentes. Si se producen estos u otros síntomas, solicite asistencia médica:
  - Entumecimiento, pérdida de sensación, hormigueo, picazón, dolor, ardor, dolor pulsante, rigidez, aturdimiento, pérdida de fuerza, cambios en el color o en el estado de la piel.
- Los síntomas pueden aumentar con el frío. Utilice ropa de abrigo y mantenga las manos calientes y secas cuando utilice el producto en entornos fríos.
- Realice el mantenimiento del producto y utilícelo según se indica en el manual de usuario, para mantener un nivel de vibración correcto.
- Mantenga las manos solamente en las manijas. No acerque ninguna otra parte de cuerpo al producto.
- Detenga el producto de inmediato si se producen vibraciones fuertes repentinamente. No continúe la operación hasta eliminar la causa del aumento de las vibraciones.

## Seguridad contra el ruido



**ADVERTENCIA:** Lea atentamente las instrucciones de advertencia siguientes antes de usar el producto.

- Los niveles altos de ruido y la exposición a largo plazo al ruido pueden causar pérdida auditiva.
- Para mantener el nivel de ruido al mínimo, realice el mantenimiento del producto y utilícelo según se indica en el manual de usuario.
- Examine el silenciador en busca de daños y defectos. Asegúrese de que el silenciador esté correctamente unido al producto.

- Utilice protectores auriculares aprobados cuando opere el producto.
- Cuando utilice protectores auriculares, esté atento a las señales de advertencia y a las voces. Quítense los protectores auriculares cuando el producto esté detenido, a menos que sean necesarios para el nivel de ruido en la zona de trabajo.

## Equipo de protección personal



**ADVERTENCIA:** Lea atentamente las instrucciones de advertencia siguientes antes de usar el producto.

- Utilice siempre el equipo de protección personal aprobado cuando utilice el producto. El equipo de protección personal no puede impedir el riesgo de lesiones, pero disminuirá el grado de lesión si ocurre un accidente. Solicite a su concesionario que lo ayude a seleccionar el equipo de protección personal correcto.
- Realice periódicamente una comprobación del estado del equipo de protección personal.
- Utilice un casco protector aprobado.
- Use protección auricular aprobada.
- Utilice protección respiratoria aprobada.
- Utilice protección ocular aprobada con protección lateral. Existe un alto riesgo de lesiones oculares provocadas por la expulsión de objetos.
- Use guantes protectores.
- Utilice botas con punta de acero y suela antideslizante.
- Utilice ropa de trabajo aprobada o ropa equivalente de ajuste ceñido, que cubra por completo los brazos y las piernas.

## Extintor de incendios

- Mantenga un extintor de incendios a mano durante la operación.
- Utilice un extintor de incendios de polvo de clase "ABE" o un extintor de dióxido de carbono de tipo "BE".

## Dispositivos de seguridad en el producto

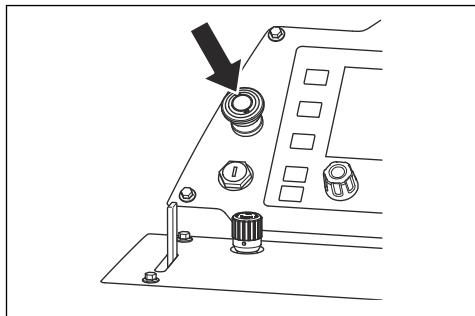


**ADVERTENCIA:** Lea atentamente las instrucciones de advertencia siguientes antes de usar el producto.

- No utilice un producto con dispositivos de seguridad defectuosos.
- Revise los dispositivos de seguridad de forma regular. Si los dispositivos de seguridad están defectuosos, comuníquese con su taller de servicio Husqvarna.

## Botón de detención de la máquina

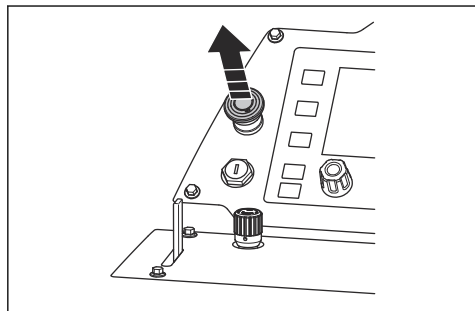
El botón de detención de la máquina detiene rápidamente el motor y todas las funciones eléctricas, pero no las luces. El botón de detención de la máquina establece el producto en modo seguro. El producto no puede volver a iniciarse hasta que el modo seguro se vuelva a poner en su condición inicial.



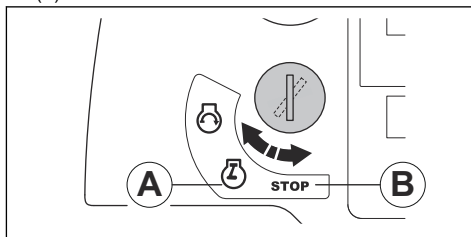
**Tenga en cuenta:** No utilice el botón de detención de la máquina para detener el producto, a menos que se trate de una emergencia. Para conocer el procedimiento correcto para detener el producto durante el funcionamiento, consulte *Para detener el producto en la página 81*.

## Para revisar el botón de detención de la máquina

1. Arranque el motor. Consulte *Para poner en marcha la máquina en la página 77*.
2. Presione el botón de detención de la máquina. El motor se detiene y el producto se establece en modo seguro.
3. Tire del botón de detención de la máquina para volver a poner la detención de la máquina en su condición inicial.



4. Para volver a poner el modo seguro en su condición inicial, gire el interruptor de arranque del motor a la posición de detención del motor (B) y, a continuación, a la posición de encendido activado (A).



## Protector de la cuchilla

La protección de la hoja es una cubierta protectora para la parte superior del disco de corte. Proporciona protección en caso de que el disco de corte se rompa y sus piezas, u otros objetos, salgan expulsados en dirección al operador. La protección de la hoja previene lesiones causadas por el disco de corte. La protección de la hoja también forma parte del sistema de refrigeración por agua, que mantiene el disco de corte frío durante el funcionamiento.

## Para revisar la protección de la hoja

- Asegúrese de que la protección de la hoja se encuentre instalada correctamente. Consulte *Cómo instalar una protección de la hoja (FS7000 D, FS7000 DL, de entre 20 y 42 pulg)* en la página 72 o *Para instalar una protección de la hoja (FS7000 DL, de entre 48 y 60 pulg)* en la página 72.
- Revise si la protección de la hoja presenta daños, por ejemplo, grietas.
- Si la protección de la hoja está dañada, reemplácela.
- Reemplace la protección de la hoja si está golpeada, doblada o si presenta otros defectos.
- Examine el bloqueo de la protección de la hoja para ver si está dañado.
- Asegúrese de que el bloqueo de la protección de la hoja esté acoplado correctamente.

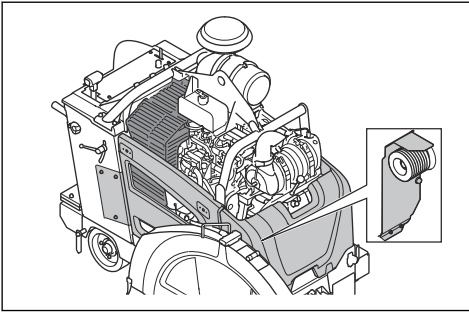
## Cubiertas protectoras

Si faltan cubiertas protectoras o estas están dañadas, aumenta el riesgo de lesiones por piezas móviles y superficies calientes.

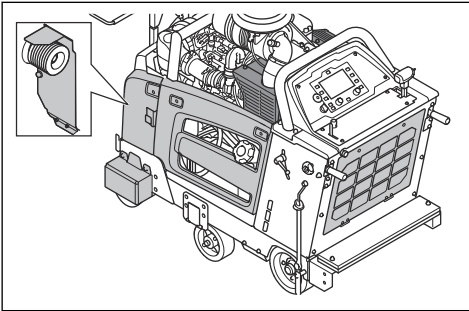
## Para revisar las cubiertas protectoras

- Realice una comprobación de las cubiertas protectoras antes de usar el producto.

a) Lado delantero y derecho:



b) Lado trasero e izquierdo:



- Asegúrese de que las cubiertas protectoras estén correctamente instaladas y no tengan grietas u otros daños.
- Reemplace las cubiertas protectoras dañadas.

### Silenciador

El silenciador mantiene los niveles de ruido al mínimo y envía los gases de escape lejos del operador.

No utilice el producto si el silenciador no está instalado o está defectuoso. Un silenciador defectuoso aumenta el nivel de ruido y el riesgo de incendio.



**ADVERTENCIA:** El silenciador se calienta mucho durante y después del uso y cuando el motor funciona en régimen de ralentí. Tenga cuidado cerca de materiales o vapores inflamables para prevenir incendios.

### Para comprobar el silenciador

- Examine el silenciador con regularidad para asegurarse de que está instalado correctamente y que no esté dañado.



**AVISO:** No cambie el silenciador. El silenciador es de tipo DOC y es parte del cumplimiento de las normas sobre emisiones.

## Seguridad de combustible



**ADVERTENCIA:** Lea atentamente las instrucciones de advertencia siguientes antes de usar el producto.

- La gasolina es inflamable y sus gases son explosivos. Tenga cuidado con el combustible para evitar lesiones, incendios y explosiones.
- No inhale los gases del combustible. Los gases del combustible son tóxicos y pueden provocar lesiones. Asegúrese de que el flujo de aire sea suficiente.
- No retire la tapa del depósito de combustible ni llene el depósito con el motor encendido.
- Deje que el motor se enfríe antes de agregar combustible.
- No llene el depósito de combustible en interiores. Un flujo de aire insuficiente puede causar lesiones graves o fatales por asfixia o debido al monóxido de carbono.
- No fume cerca del combustible o del motor.
- No coloque objetos calientes cerca del combustible o del motor.
- No llene el depósito de combustible cerca de chispas o llamas.
- Antes de llenar el depósito de combustible, abra lentamente la tapa del depósito de combustible y libere la presión con cuidado.
- Si el combustible entra en contacto con la piel, puede provocar lesiones. Si le cae combustible en la piel, quítelo con jabón y agua.
- Si derrama combustible en su ropa, cámbiese la ropa inmediatamente.
- No llene el depósito de combustible completamente. El calor provoca que el combustible se expanda. Deje espacio en la parte superior del depósito de combustible.
- Apriete bien la tapa del depósito de combustible. Si no aprieta la tapa del depósito de combustible, se genera un riesgo de incendio.
- Antes de poner en marcha el producto, colóquelo a una distancia mínima de 3 m/10 pies desde el lugar donde llenó el depósito de combustible.
- No arranque el producto si hay combustible o aceite de motor en el producto. Elimine el combustible y el aceite del motor no deseados y deje que el producto se seque antes de arrancar el motor.
- Examine frecuentemente el motor en busca de fugas. Si hay fugas en el sistema de combustible, no arranque el motor hasta que las repare.
- No busque fugas en el motor con los dedos.
- Almacene el combustible solo en recipientes aprobados.
- Cuando el producto y el combustible estén almacenados, asegúrese de que el combustible y los gases del combustible no puedan causar daños.
- Vacíe el combustible en un recipiente aprobado en exteriores y lejos de chispas y llamas.

## Seguridad de la batería



**ADVERTENCIA:** Una batería dañada puede provocar una explosión y causar lesiones. Si la batería tiene una deformación o está dañada, hable con un taller de servicio Husqvarna autorizado.



**ADVERTENCIA:** Lea atentamente las instrucciones de advertencia siguientes antes de usar el producto.

- Utilice gafas protectoras cuando esté cerca de las baterías.
- No use relojes, joyas u otros objetos metálicos cerca de la batería.
- Almacene la batería fuera del alcance de los niños.
- Cargue la batería en un espacio con buena ventilación.
- Mantenga los materiales inflamables a una distancia mínima de 1 m cuando cargue la batería.
- Deseche las baterías que ha reemplazado. Consulte *Eliminación en la página 98*.
- La batería puede generar gases explosivos. No fume cerca de la batería. Mantenga la batería lejos de llamas abiertas y chispas.

### Instrucciones de seguridad para el mantenimiento



**ADVERTENCIA:** Lea atentamente las instrucciones de advertencia siguientes antes de usar el producto.

- Utilice equipo de protección personal. Consulte *Equipo de protección personal en la página 64*.
- Si el mantenimiento no se realiza de manera correcta y regular, aumenta el riesgo de sufrir lesiones y causar daños en el producto.
- Detenga el motor y deje que el producto se enfríe antes de realizar el mantenimiento.
- Limpie el producto para eliminar materiales peligrosos antes de realizar el mantenimiento.
- Desconecte el sombrerete de bujía antes de realizar el mantenimiento.
- Los gases de escape del motor están calientes y pueden contener chispas. No utilice el producto en zonas interiores ni cerca de materiales inflamables.
- No modifique el producto. Las modificaciones en el producto que no estén aprobadas por el fabricante pueden causar daños graves o la muerte.
- Utilice siempre accesorios y piezas de repuesto originales. El uso de accesorios y piezas de repuesto que no estén aprobados por el fabricante puede causar daños graves o la muerte.
- Cambie las piezas dañadas, desgastadas o rotas.
- Solo realice tareas de mantenimiento como se indica en el presente manual del usuario. Solicite a un taller de servicio aprobado que realice cualquier otro mantenimiento.
- Retire todas las herramientas del producto después del mantenimiento y antes de arrancar el motor. Si quedan herramientas sueltas o conectadas a las piezas giratorias, estas pueden salir expulsadas y provocar lesiones cuando se ponga en marcha el motor.
- Solicite a un taller de servicio aprobado hacer el mantenimiento regular del producto.

## Funcionamiento

### Introducción



**ADVERTENCIA:** Asegúrese de leer y comprender el capítulo de seguridad antes de utilizar el producto.

### Haga lo siguiente antes de usar el producto

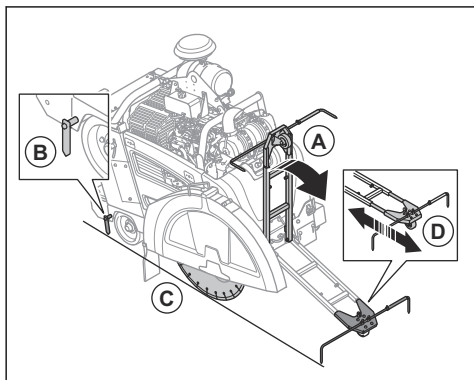
- Lea atentamente el manual del usuario y asegúrese de entender las instrucciones.
- Lea el manual de instrucciones del panel de control atentamente y asegúrese de entender las instrucciones.
- Lea el manual del motor proporcionado por el fabricante del motor.
- Lea las instrucciones del disco de corte indicadas por el fabricante del disco de corte.
- Antes de arrancar el producto por primera vez, realice los siguientes pasos:

- a) Instale una batería nueva y conecte los cables de la batería. Consulte *Para conectar y desconectar la batería en la página 92*.

**Tenga en cuenta:** En algunos mercados, el producto viene con la batería instalada al momento de comprarlo.

- b) Establezca el idioma correcto y realice otros ajustes necesarios en el panel de control. Consulte el manual de usuario del panel de control.
- Antes de cada operación del producto, realice los siguientes pasos:
    - a) Realice el mantenimiento diario. Consulte *Programa de mantenimiento en la página 82*.
    - b) Trace marcas de líneas para todos los cortes. Prepare la secuencia de operación con cuidado para evitar lesiones y daños.

- c) Ajuste las manijas de operación a una posición de funcionamiento adecuada. Consulte *Para ajustar la posición de las manijas de operación en la página 69*.
- d) Baje el puntero ajustable (A) y asegúrese de que esté alineado con el puntero trasero (B), con el disco de corte y con la marca de la línea en la superficie (C). Consulte *Para revisar los punteros en la página 68* si los punteros y el disco de corte no están alineados.



- e) Si es necesario, ajuste el largo del puntero ajustable con los tornillos en el puntero ajustable (D).

## Para revisar los punteros

1. Apoye una barra de metal recta o barra chata en el disco de corte.

**Tenga en cuenta:** Como alternativa a la barra de metal recta, puede utilizar el hilo para el puntero ajustable. Fije el hilo al puntero trasero y extiéndalo por el costado del producto, pegado al disco de corte.

2. Asegúrese de que el puntero trasero, el disco de corte y el puntero ajustable estén alineados.
  - a) Ajuste el puntero ajustable con los tornillos.
  - b) Para ajustar el puntero trasero, golpéelo suavemente con un mazo.

## Discos de corte



**ADVERTENCIA:** No utilice un disco de corte para materiales distintos de aquellos para los que se fabricó.



**ADVERTENCIA:** Utilice únicamente hojas de diamante para corte húmedo. La hoja de diamante debe corresponder a la misma velocidad o a una velocidad más alta que el valor que se indica en la placa de identificación del producto. Utilice

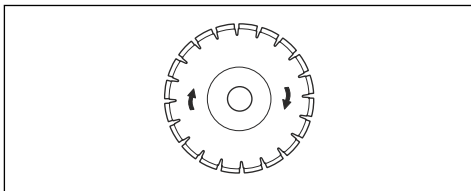
solo hojas de diamante que cumplan con las normas nacionales o regionales; por ejemplo, EN13236 o ANSI B7.1.

El fabricante del disco de corte realiza advertencias y recomendaciones para la operación y el mantenimiento correctos del disco de corte. Estas advertencias vienen con el disco de corte.

## Cuchillas de diamante



**ADVERTENCIA:** Asegúrese de que la hoja de diamante gire en la dirección que indican las flechas de la hoja de diamante.



**AVISO:** Utilice siempre una cuchilla de diamante afilada.

Existe una amplia gama de hojas de diamante que se utilizan para diferentes operaciones, desde hormigón nuevo hasta hormigón y asfalto endurecidos, y para diferentes clases de dureza.

Las hojas de diamante tienen un núcleo de acero con segmentos hechos de diamantes industriales.

## Sistema de refrigeración por agua

Utilice siempre agua durante la operación para mantener la temperatura de las cuchillas de diamante baja. El sistema de refrigeración por agua también aumenta la vida útil de las cuchillas de diamante y evita la acumulación de polvo.

Asegúrese de que el suministro de agua no esté obstruido.

## Para afilar las hojas de diamante

Las hojas de diamante pueden desafilarse cuando se utiliza la presión de alimentación equivocada o cuando se cortan ciertos materiales, como hormigón armado duro. Si se utiliza una hoja de diamante desafilada, esta se calienta demasiado al cortar, lo que puede provocar que se aflojen los segmentos de diamante.

- Disminuya la profundidad de corte y el régimen del motor durante un breve período para afilar los diamantes de la hoja de diamante.



## Hojas de diamante para corte húmedo



**AVISO:** Utilice siempre una dimensión de brida de la cuchilla que sea especificada para la dimensión actual de la cuchilla. No utilice bridas de cuchilla dañadas.

Durante la operación, la fricción provoca que la hoja de diamante adquiera una alta temperatura. Si la hoja de diamante se calienta demasiado, disminuirá la tensión de la cuchilla o provocará que el núcleo se agriete.

Deje que la hoja de diamante se enfríe antes de tocarla.

- Las hojas de diamante para corte húmedo se deben utilizar con agua para mantener fríos el núcleo de la hoja de diamante y los segmentos durante el corte. Las hojas de diamante para corte húmedo no se pueden utilizar en seco.
- Si utiliza hojas de diamante para corte húmedo sin agua, estas pueden calentarse demasiado, lo que provoca mal rendimiento, daños en las cuchillas y supone un riesgo para la seguridad.

## Para agregar combustible



**AVISO:** Utilice siempre el tipo de combustible correcto. El tipo de combustible incorrecto puede causar daños en el producto.

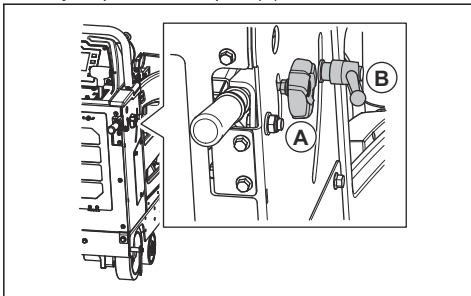


**AVISO:** No utilice biodiésel. El biodiésel daña las mangueras de combustible.

- Utilice combustible diésel del tipo correcto. Consulte *Datos técnicos en la página 99*. Para obtener más información sobre el combustible, consulte el manual del motor proporcionado por el fabricante.

## Para ajustar la posición de las manijas de operación

1. Para ajustar el largo de las manijas de operación, afloje la perilla de bloqueo (A).



2. Ajuste las manijas de operación a un largo de funcionamiento adecuado.

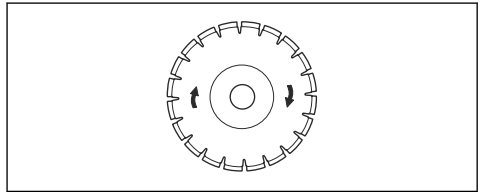
3. Apriete la perilla de bloqueo (A).
4. Para ajustar la altura de las manijas de operación, gire la perilla de bloqueo (B) hacia la izquierda.
5. Ajuste las manijas de operación a una altura de funcionamiento adecuada.
6. Gire la perilla de bloqueo (B) hacia la derecha para bloquear las manijas de operación en su posición.

## Para instalar el disco de corte

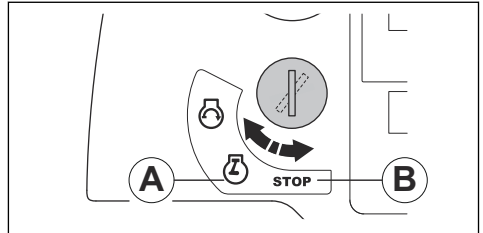
Lea la sección *Configuración del producto para diferentes dimensiones de hoja en la página 73* antes de instalar un disco de corte.



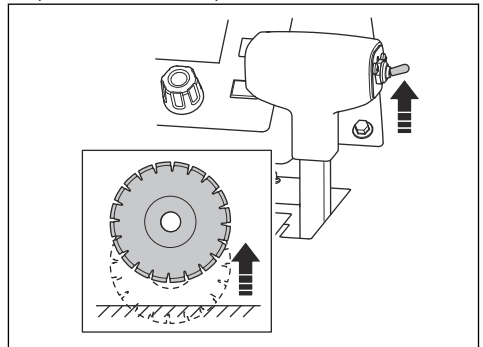
**AVISO:** Existe riesgo de daños en el disco de corte si se instala en dirección opuesta al sentido de rotación. Asegúrese de que el disco de corte gire en la dirección que indican las flechas en el disco de corte.



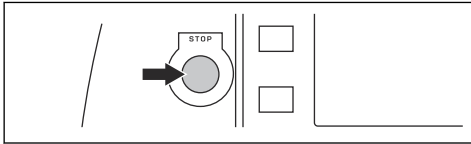
1. Gire el interruptor de arranque del motor a la posición de encendido activado (A).



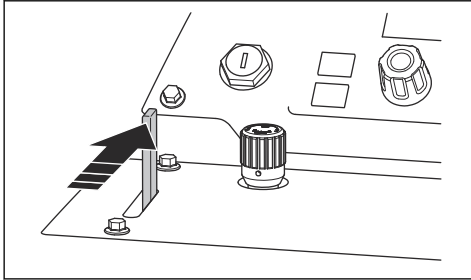
2. Mueva hacia arriba el interruptor de ajuste de la profundidad de corte para levantar el disco de corte.



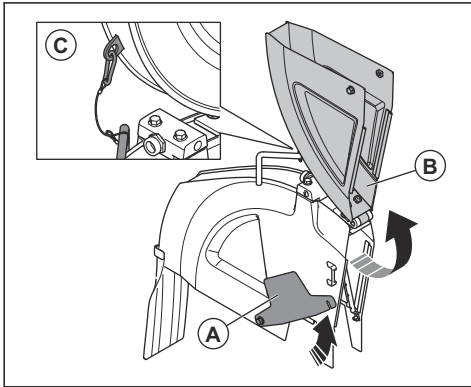
- Coloque el interruptor de arranque del motor en la posición de detención (B).
- Presione el botón de detención de la máquina en el panel de control.



- Cierre la válvula de agua.



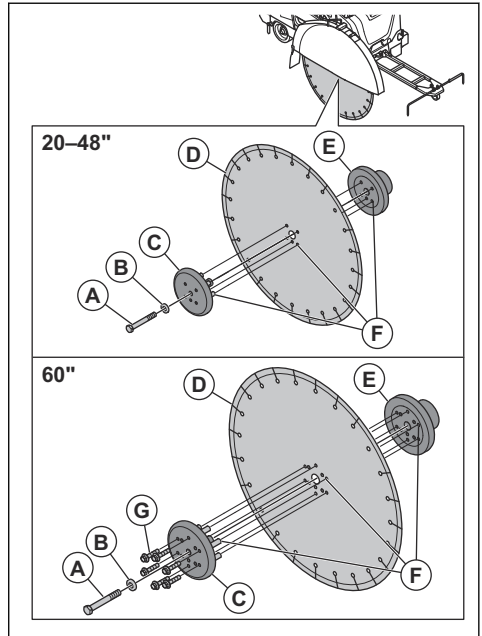
- Abra la protección de la hoja:
  - Afloje el perno o los pernos de la protección de la hoja y levante el seguro de la protección de la hoja (A).



**Tenga en cuenta:** Las protecciones de la hoja de dimensiones de entre 20 y 42 in tienen 1 perno. Las protecciones de la hoja de dimensiones de entre 48 y 60 in tienen 2 pernos.

- Levante la parte delantera de la protección de la hoja (B) y bloquéela en posición vertical con un hilo diamantado y un mosquetón (C).

- Quite el perno del eje de la hoja (A).



**Tenga en cuenta:** El perno del eje de la hoja en el lado derecho del producto tiene una rosca izquierda. El perno del eje de la hoja en el lado izquierdo del producto tiene una rosca derecha.

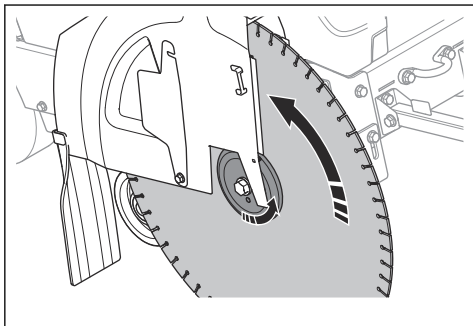
- Retire la brida exterior de la hoja (C) y la arandela plana (B).



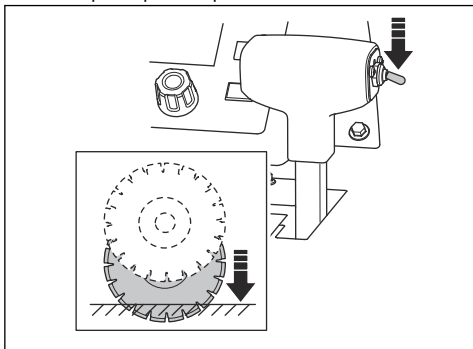
**ADVERTENCIA:** Las piezas dañadas o sucias pueden impedir la correcta instalación del disco de corte. Verifique que el perno del eje de la hoja, las bridas de la cuchilla, la arandela plana y el eje giratorio de la brida de la cuchilla no presenten daños. Reemplace las piezas desgastadas o dañadas. Limpie las superficies de contacto del disco de corte y de las bridas de la cuchilla.

- Coloque el disco de corte (D) en el eje giratorio de la brida exterior.
- Instale el disco de corte y la brida exterior en la brida interior (E). Asegúrese de que los pasadores de bloqueo (F) atraviesen la hoja hasta llegar a la brida interior.
- Instale la arandela plana y el perno del eje de la hoja.

12. Para eliminar la holgura, gire la brida exterior y el disco de corte en la dirección opuesta a la que gira el disco de corte.



13. Sujete firmemente el disco de corte mientras aprieta el perno del eje de la hoja con la llave para eje del disco.
14. FS7000 DL: Para un disco de corte de 1500 mm/60 in, apriete los 6 pernos (G) que sujetan la brida exterior de la hoja.
15. Presione hacia abajo el interruptor de ajuste de la profundidad de corte para bajar el disco de corte hasta que toque la superficie.



**AVISO:** No baje el disco de corte demasiado rápido. El disco de corte se puede dañar si golpea la superficie con fuerza. Reduzca la velocidad con la perilla de ajuste de la velocidad de descenso del disco.



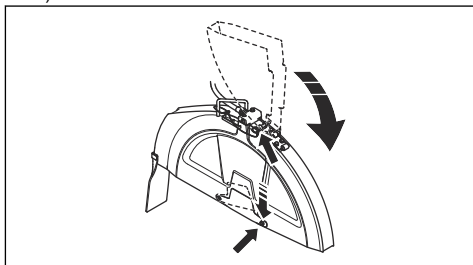
**AVISO:** No deje que el peso delantero del producto ejerza presión sobre el disco de corte, ya que esto daña el disco de corte.

16. Apriete el perno del eje del disco de corte firmemente con la llave de 15/16" proporcionada. Apriete el perno del eje de la hoja a un mínimo de 159 ft-lb/236,6 Nm (rosca seca), 180 ft-lb/267,9 Nm (rosca húmeda) o 212 ft-lb/315,5 Nm (rosca antidimensionada).

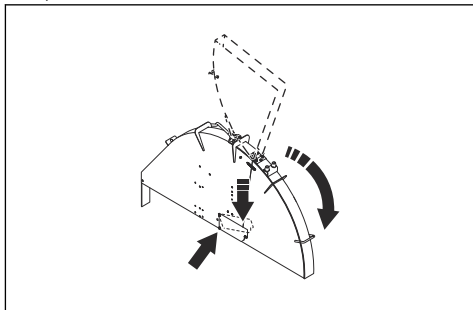
**Tenga en cuenta:** La resistencia entre el disco de corte y el suelo mantiene el disco de corte en su posición.

17. Baje la parte delantera de la protección de la hoja y coloque el seguro de la protección de la hoja en el perno delantero de la protección de la hoja. Apriete el perno delantero de la protección de la hoja.

a) FS7000 D:



b) FS7000 DL:



**AVISO:** No utilice el producto sin el seguro de la protección de la hoja acoplado y sin el perno delantero de la protección de la hoja instalado. No utilice el producto si las piezas están dañadas.

18. Arranque el motor y ponga atención a si hay ruidos inusuales. Si los hay, extraiga el disco de corte.
- Revise si el disco de corte presenta daños.
  - Vuelva a instalar el disco de corte. Reemplace el disco de corte si está dañado.

## Para extraer el disco de corte



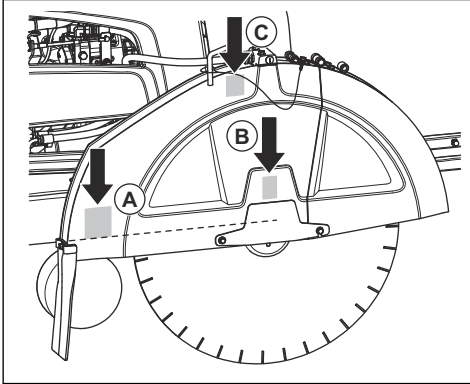
**ADVERTENCIA:** Espere a que el producto se enfríe antes de extraer las hojas de diamante y utilice guantes protectores

para el proceso. Las hojas de diamante estarán muy calientes después de su uso.

- Extraiga el disco de corte en el orden inverso al de instalación. Consulte *Para instalar el disco de corte en la página 69.*

## Cómo instalar una protección de la hoja (FS7000 D, FS7000 DL, de entre 20 y 42 pulg)

1. Baje la protección de la hoja hasta los soportes (A), (B) y (C).



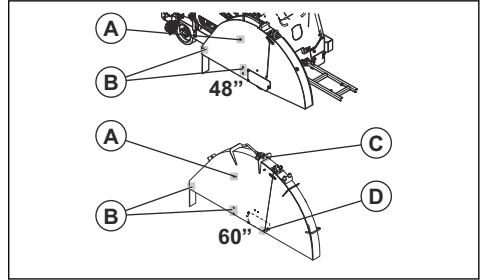
2. Empuje la protección de la hoja hacia abajo hasta que se acople el bloqueo de la protección de la hoja.
3. Conecte la manguera de agua.

No todos los soportes se utilizan para todas las dimensiones de protecciones de la hoja.

- Las protecciones de la hoja de 35,5 cm/14 pulg, 50,8 cm/20 pulg y 66 cm/26 pulg solo se bajan hasta el soporte (B).
- La protección de la hoja de 76,2 cm/30 pulg se baja hasta los soportes (B) y (C).
- Las protecciones de la hoja de 36 pulg y de 42 pulg se bajan hasta todos los soportes (A), (B) y (C).

## Para instalar una protección de la hoja (FS7000 DL, de entre 48 y 60 pulg)

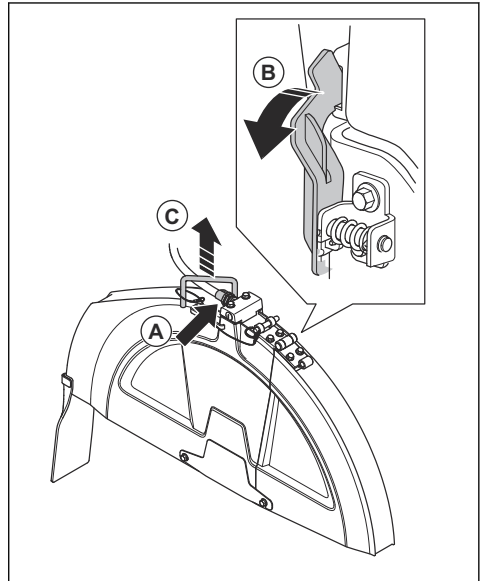
1. Baje la protección de la hoja hasta los tornillos de soporte (A), (B), (C) y (D).



2. Empuje la protección de la hoja hacia abajo hasta que se acople el bloqueo de la protección de la hoja.
3. Conecte la manguera de agua.

## Para retirar la protección de la hoja (FS7000 D, FS7000 DL de entre 20 y 42 pulg)

1. Desconecte la manguera de agua (A) de la protección de la hoja.



2. Con la llave del eje de la hoja, gire el seguro de la protección de la hoja (B) hacia delante hasta que tope y se desacople.
3. Levante la protección de la hoja por la manija (C).

## Para retirar la protección de la hoja (FS7000 DL, de entre 48 y 60 pulg)

1. Desconecte la manguera de agua de la protección de la hoja.
2. Retire el perno que sujeta la protección de la hoja.
3. Retire la protección de la hoja.

## Configuración del producto para diferentes dimensiones de hoja

Un producto con caja de cambios de 1 velocidad opera con 1 dimensión de hoja especificada y 1 protección de la hoja especificada. Un producto con caja de cambios de 3 velocidades opera con un rango especificado de dimensiones de hojas y 1 protección de la hoja especificada. Si reemplaza el disco de corte por otro de dimensiones diferentes, es necesario cambiar la configuración del producto.

Para un producto con caja de cambios de 1 velocidad, reemplace estas piezas por piezas de la dimensión correspondiente al nuevo disco de corte:

- Poleas del eje del disco
- Poleas de la caja de cambios
- Bridas del eje del disco
- Correas
- Protector de la cuchilla

Para un producto con caja de cambios de 3 velocidades, basta con cambiar el engranaje si la dimensión del nuevo disco de corte está en el mismo rango de dimensiones que el disco de corte reemplazado. Si está en otro rango de dimensiones, sin embargo, es necesario reemplazar las piezas indicadas en la lista, aunque se trate de un producto con caja de cambios de 3 velocidades.

Solicite ayuda a su concesionario para realizar el pedido de las piezas necesarias para su configuración.

## Para realizar una configuración de la caja de cambios

- Para cambiar la configuración de la caja de cambios en la pantalla del panel de control, consulte el manual de usuario del panel de control.

## Configuración de un modelo de caja de cambios de 1 velocidad

Hay cinco configuraciones posibles para un producto con caja de cambios de 1 velocidad:

FS7000 D, mm/pulg	FS7000 DL, mm/pulg
500/20	500/20
650/26	650/26
750/30	750/30
900/36	900/36

FS7000 D, mm/pulg	FS7000 DL, mm/pulg
1000/42	1000/42
–	1200/48
–	1500/60

Consulte el manual de usuario del panel de control para obtener información adicional.

## Configuración de un modelo de caja de cambios de 3 velocidades

Hay cuatro configuraciones posibles para un producto con caja de cambios de 3 velocidades:

FS7000 D, mm/pulg	FS7000 DL, mm/pulg
350-650/14-26	500-900/20-36
500-750/20-30	650-1000/26-42
500-900/20-36	750-1200/30-48
650-1000/26-42	900-1500/36-60

Consulte el manual de usuario del panel de control para obtener información adicional.

## Para cambiar de marcha en un modelo con caja de cambios de 3 velocidades

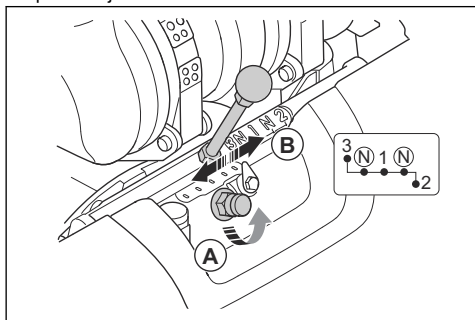


**AVISO:** No cambie de marcha mientras el motor esté encendido o antes de realizar una comprobación de la configuración del producto. Esto puede dañar la caja de cambios.

La caja de cambios dispone de 3 posiciones de velocidad y 2 posiciones neutras. Cuando la caja de cambios está en la posición neutra, el disco de corte no gira mientras el motor está encendido.

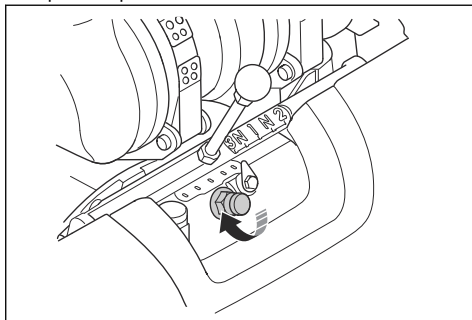
1. Gire el interruptor de encendido a la posición de detención.
2. Asegúrese de que las dimensiones de las poleas de la caja de cambios, de las poleas del eje de la hoja y de las bridas del eje de la hoja sean las correctas para la dimensión del disco de corte instalado.
3. Asegúrese de que la velocidad del eje de la hoja sea la correcta.

4. Gire la perilla (A) 2 revoluciones hacia la izquierda para aflojar la contratuerca.



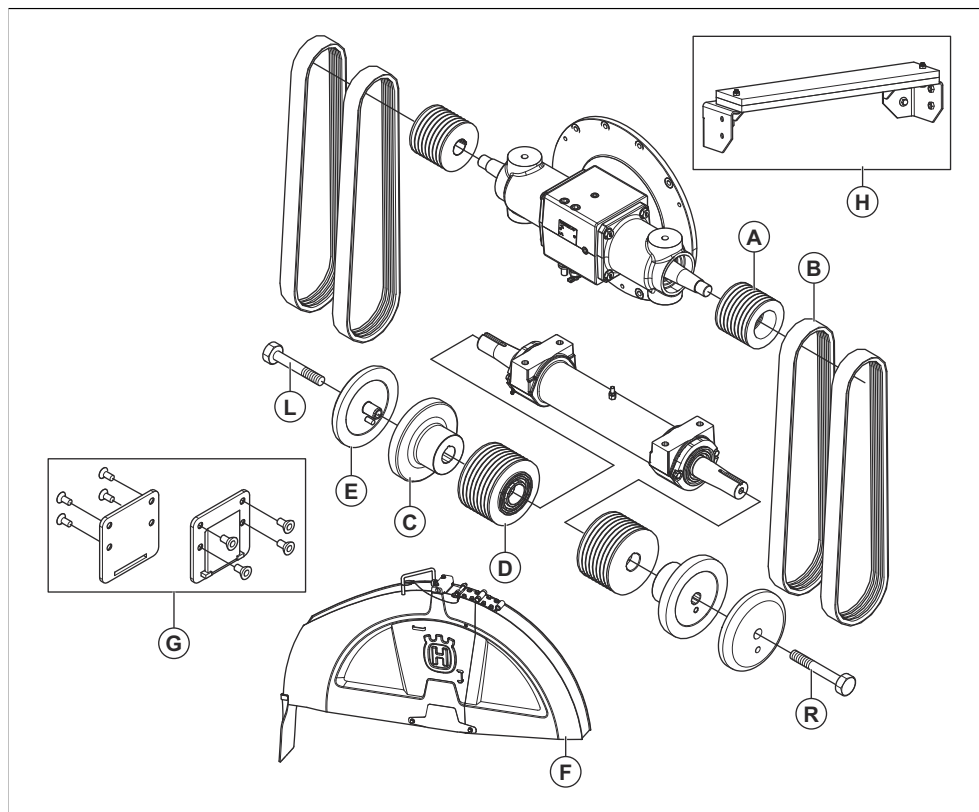
5. Afloje la contratuerca por completo, pero no la quite.  
 6. Mueva la palanca de cambios (B) al cambio correspondiente. Si no es fácil mover la palanca de cambios, gire el eje de la hoja una pequeña distancia.

7. Apriete la perilla hacia la derecha con los dedos.



8. Apriete la contratuerca con la llave del eje de la hoja proporcionada. Consulte *Descripción general del producto, lado izquierdo (FS7000 D)* en la página 55 o *Descripción general del producto, lado izquierdo (FS7000 DL)* en la página 57.

### Cambio de la dimensión de la hoja, modelo con caja de cambios de 1 velocidad

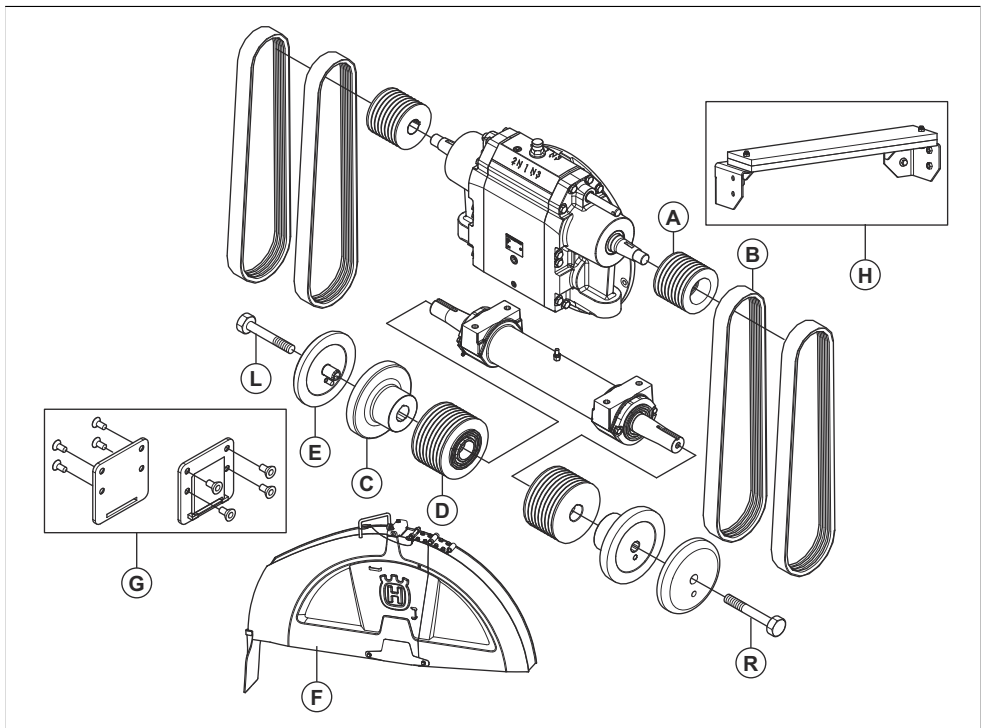


\* = La pieza se incluye en la configuración inicial del producto. Algunas piezas que no están en esta

tabla también se incluyen en la configuración inicial del producto.

Dimensión, mm/pulg	A	B	C	D	E	F	G	H
500/20	130/5,12	3VX470	114/4,5	106/4,17	114/4,5	500/20	No	No
650/26	97/3,82	3VX450	127/5	106/4,17	127/5	650/26	No	No
750/30	97/3,82	3VX450	127/5	115/4,53	127/5	750/30	No	No
900/36, FS7000 D	97/3,82	3VX470	152,5/6	138/5,43	152,5/6	900/36	Sí	No
900/36, FS7000 DL	97/3,82	3VX500	152,5/6	138/5,43	152,5/6	900/36	Sí	No
1000/42, FS7000 D	97/3,82	3VX485	178/7	162,5/6,4	178/7	1000/42	Sí	Sí
1000/42, FS7000 DL	97/3,82	3VX500	178/7	162,5/6,4	178/7	1000/42	Sí	Sí
1200/48, FS7000 DL	97/3,82	3VX500	203,2/8	184/7,24	203,2/8	1200/48	No	Sí
1500/60, FS7000 DL	97/3,82	3VX580	254/10	236/9,29	254/10	1500/60	No	Sí

### Cambio de la dimensión de la hoja, modelo con caja de cambios de 3 velocidad



\* = La pieza se incluye en la configuración inicial del producto. Algunas piezas que no están en esta

tabla también se incluyen en la configuración inicial del producto.

Dimensión, mm/pulg	A	B	C	D	E	F	G	H
350-650/14-26, FS7000 D	130/5,12	3VX570	127/5	106/4,17	127/5	350-650/14-26	No	No
500-750/20-30, FS7000 D	109/4,29	3VX550	127/5	106/4,17	127/5	500-750/20-30	No	No
500-900/20-36, FS7000 D	109/4,29	3VX560	152,5/6	121,5/4,7 8	152,5/6	500-900/20-36	Sí	No
500-900/20-36, FS7000 DL	109/4,29	3VX580	152,5/6	121,5/4,7 8	152,5/6	500-900/20-36	Sí	No
650-1000/26-42, FS7000 D	109/4,29	3VX580	178/7	146/5,75	178/7	650-1000/26-4 2	Sí	Sí
650-1000/26-42, FS7000 DL	109/4,29	3VX600	178/7	146/5,75	178/7	650-1000/26-4 2	Sí	Sí
750-1200/30-48, FS7000 DL	109/4,29	3VX580	203,2/8	162,5/6,4	203,2/8	750-1200/30-4 8	No	Sí
900-1500/36-60, FS7000 DL	130/5,12	3VX670	254/10	236/9,29	254/10	900-1500/36-6 0	No	Sí

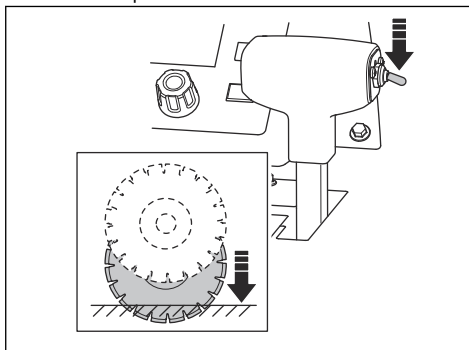
## Detención de profundidad del disco

El producto tiene la función de tope de profundidad de la cuchilla, que permite al operador ajustar la profundidad máxima de la cuchilla. La profundidad máxima de la cuchilla es diferente para las diferentes dimensiones del disco:

Dimensión, mm/pulg	Profundidad máxima de corte, mm/pulg
350/14	118/4,75
500/20	193/7,75
650/26	262/10,5
750/30	312/12,5
900/36	374/15
1000/42	411/17,5
1000/48	498/20
1500/60	623/25

## Para ajustar profundidad de corte

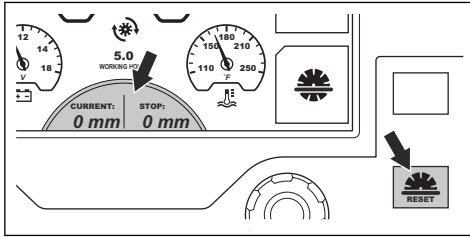
1. Presione hacia abajo el interruptor de ajuste de la profundidad de corte para bajar el disco de corte hasta que toque la superficie. Esta es la posición inicial de la profundidad de corte.



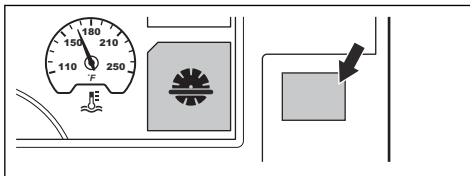
**AVISO:** No baje el disco de corte demasiado rápido. El disco de corte se puede dañar si golpea la superficie con fuerza. Reduzca la velocidad con la perilla de ajuste de la velocidad de descenso de la hoja.



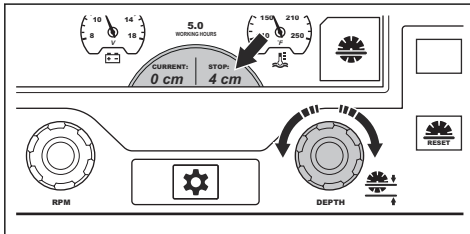
- Presione el botón de reinicio del tope de la profundidad de la cuchilla en el panel de control. El valor de la profundidad de corte se establece en 0 mm/pulg en la pantalla.



- Presione el botón ubicado junto al símbolo del tope de profundidad de la cuchilla. El símbolo de la pantalla cambia de color para mostrar que la función está activada.



- Gire la perilla de ajuste del tope de profundidad de la cuchilla hasta que aparezca la profundidad de corte correcta en la pantalla. Durante la operación, el disco de corte no desciende más que la profundidad de corte establecida.

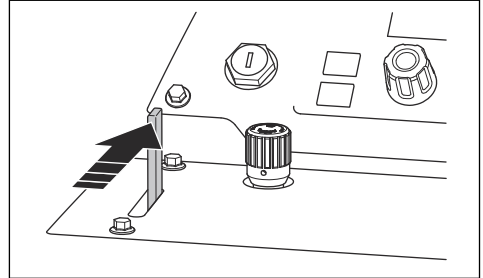


**AVISO:** Compruebe siempre que la profundidad de corte sea correcta. El tope de profundidad de la cuchilla ayuda a obtener la profundidad de corte correcta, pero solo proporciona una indicación del valor de la profundidad.

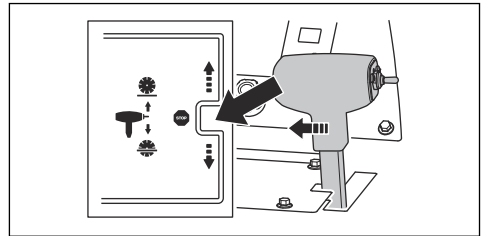
- Si es necesario aumentar la profundidad de corte, realice uno de los siguientes procedimientos:
  - Gire la perilla de ajuste del tope de profundidad de la cuchilla para establecer una nueva profundidad de corte.
  - Presione el botón ubicado junto al símbolo del tope de profundidad de la cuchilla para desactivar la función. El símbolo de la pantalla cambia de color para mostrar que la función está desactivada.

## Para poner en marcha la máquina

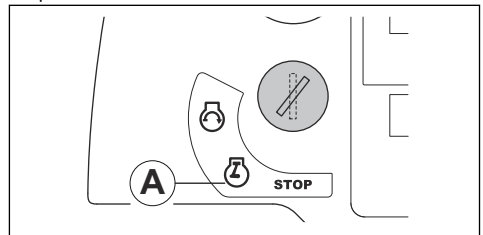
- Conecte la admisión de agua a un suministro de agua.
- Cierre la válvula de agua.



- Coloque la palanca del control de velocidad en la posición de detención.

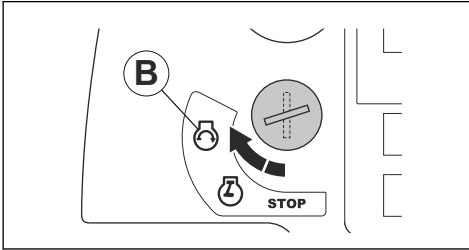


- Asegúrese de que la válvula de derivación de la transmisión esté cerrada. Consulte *Descripción general del producto, lado derecho (FS7000 D)* en la página 56 o *Descripción general del producto, lado derecho (FS7000 DL)* en la página 58 para conocer la posición de la válvula de derivación de la transmisión.
- Gire el interruptor de encendido del motor a la posición de encendido activado.



- Si el símbolo de precalentamiento aparece en la pantalla, espere hasta que se apague. Consulte *Símbolos de advertencia de la pantalla del panel de control* en la página 61.

- Gire el interruptor de encendido del motor a la posición de arranque del motor. El motor arranca.



- Deje que el motor funcione en régimen de ralentí durante 2 a 3 minutos hasta que el calibrador de temperatura comience a moverse.



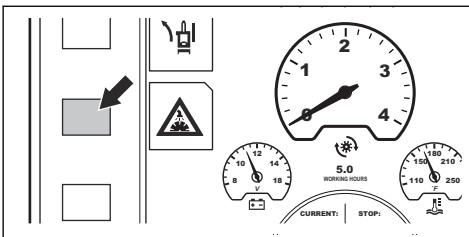
**AVISO:** No deje que el motor funcione en régimen de ralentí bajo cuando el producto no esté en operación. El régimen de ralentí bajo aumenta la cantidad de partículas en el motor y disminuye el tiempo entre regeneraciones. Válido solo para productos que cumplan con las normas de emisiones Euro V.



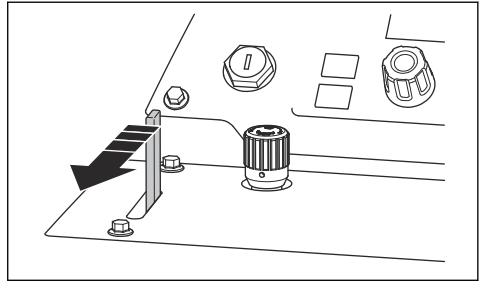
**ADVERTENCIA:** En los productos sin embrague de hoja, el disco de corte empieza a girar cuando el motor arranca y la marcha no está en posición neutra. No mueva el producto hacia un lado o fuera de la zona de trabajo si el disco de corte está girando.

## Para hacer funcionar el producto

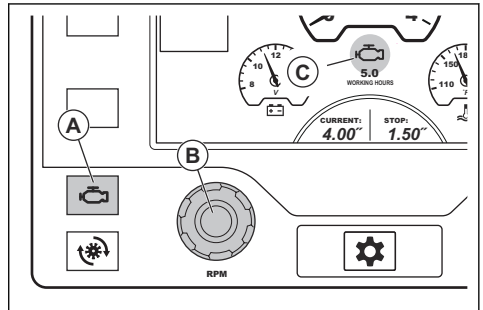
- Arranque el motor.
- Presione el botón ubicado junto al símbolo del sistema de seguridad del agua. El símbolo de la pantalla cambia de color para mostrar que la función está activada.



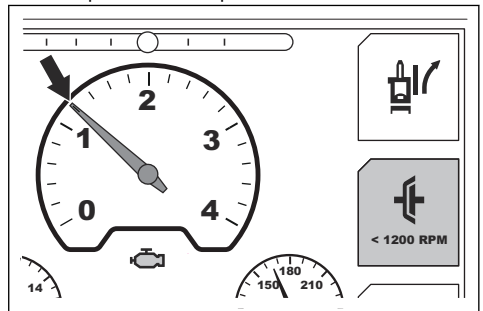
- Abra la válvula de agua.



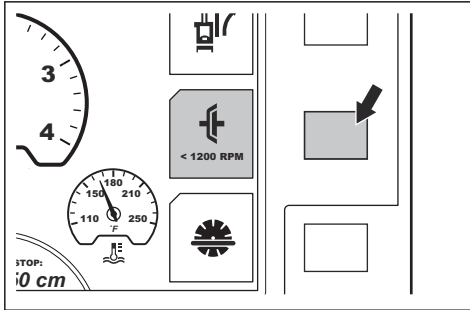
- Presione el botón de régimen del motor (A). El símbolo del motor (C) muestra que la perilla de ajuste de velocidad (B) ajusta el régimen del motor.



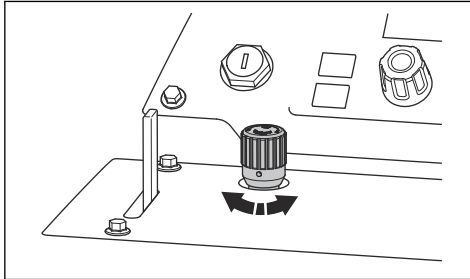
- Si el producto tiene un embrague de la cuchilla, realice el siguiente procedimiento:
  - Asegúrese de que el régimen del motor no sea superior a 1200 r. p. m.



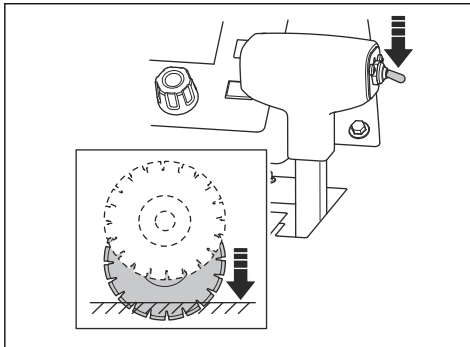
- b) Presione el botón ubicado junto al símbolo de embrague de la cuchilla en la pantalla. El símbolo de la pantalla cambia de color para mostrar que el accionamiento del disco de corte está activado.



6. Gire la perilla de ajuste de velocidad hacia la derecha para aumentar el régimen del motor a aceleración máxima.
7. Para ajustar la velocidad de descenso de la hoja, gire la perilla de ajuste de la velocidad de descenso de la hoja. Gire a la izquierda para aumentar la velocidad y a la derecha para disminuirla.

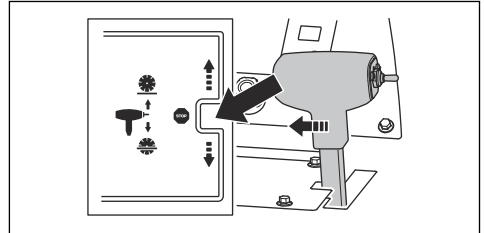


8. Mantenga el puntero ajustable, el puntero trasero y el disco de corte en la marca de la línea durante toda la operación.
9. Mueva hacia abajo el interruptor de ajuste de la profundidad de corte para bajar el disco de corte hasta la profundidad de corte correcta. Consulte *Detención de profundidad del disco en la página 76*.

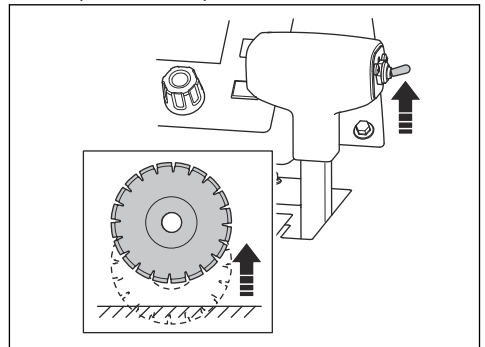


**AVISO:** Si baja el disco de corte a un corte que no esté completamente terminado, alinéelo con precisión con el corte para evitar daños en el disco de corte.

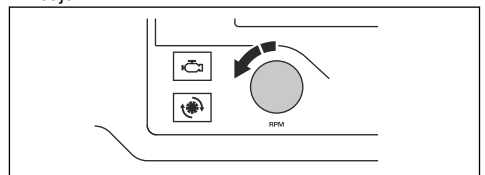
10. Empuje la palanca de control de velocidad lentamente hacia delante para mover el producto hacia delante.
11. Escuche el sonido del motor. Tire de la palanca de control de velocidad hacia atrás para adaptar la velocidad de avance a las condiciones del corte.
12. Una vez finalizada la operación, coloque la palanca de control de velocidad en la posición de detención.



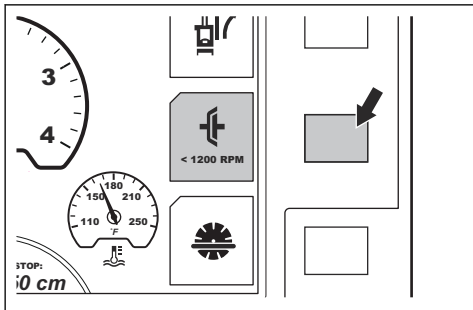
13. Mueva hacia arriba el interruptor de ajuste de la profundidad de corte hasta que el disco de corte esté por sobre la superficie.



14. Gire la perilla del acelerador a la posición de ralentí bajo.



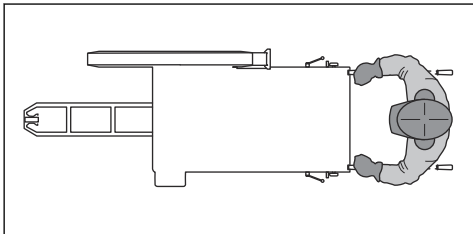
15. Si el producto tiene un embrague de la cuchilla, presione el botón ubicado junto al símbolo de embrague de la cuchilla en la pantalla. El símbolo de la pantalla cambia de color para mostrar que el accionamiento del disco de corte está desactivado.



**Tenga en cuenta:** Consulte *Funcionamiento recto del producto en la página 80* para obtener información sobre cómo ajustar el eje trasero si el producto no corta en línea recta.

### Para utilizar la técnica de trabajo correcta

- Manténgase alejado del recorrido de la cuchilla mientras el motor está encendido. La posición correcta del operador es entre las manijas.



- Examine el disco de corte con frecuencia en busca de grietas y piezas rotas durante la jornada de trabajo. No utilice un disco de corte dañado.



**ADVERTENCIA:** Detenga el motor antes de examinar el disco de corte.

- No afile con el costado del disco de corte. El disco de corte puede romperse y causar lesiones graves al operador o a las personas que se encuentren cerca. Utilice solo el borde cortante.
- No doble ni gire el disco de corte mientras está dentro del corte.
- Asegúrese de que el disco de corte se mueva libremente y de que no se atasque en el corte.

### Funcionamiento recto del producto

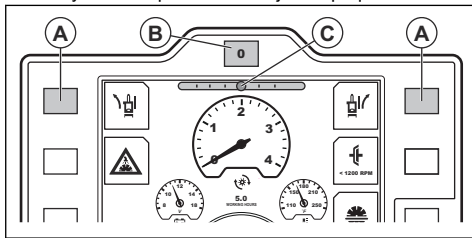
Durante la operación, el disco de corte provoca resistencia al movimiento de avance desde las ruedas traseras. Esto hace que el producto se desplace en la

misma dirección en la que está instalado el disco de corte. Para evitar un corte torcido, se puede ajustar el ángulo del eje trasero. Hay dos procedimientos para ajustar el eje trasero: con la función E-track o con un ajuste manual del eje.

### Para ajustar el eje trasero con la función E-track

Puede realizar el ajuste del eje trasero con la función E-track durante la operación o cuando el producto no se esté moviendo.

- Presione los botones de ajuste izquierdo y derecho de E-track (A) para ajustar el eje trasero. Presione una y otra vez para realizar ajustes pequeños.

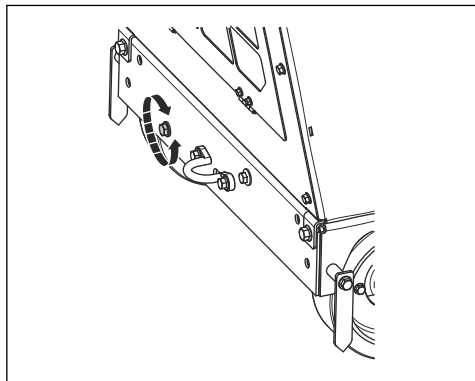


**Tenga en cuenta:** El calibrador de E-track (C) de la pantalla muestra el ángulo actual del eje trasero. El ajuste se guarda tanto si se apaga el encendido como si el producto se queda sin energía.

- Observe el movimiento y la dirección del producto para asegurarse de que el ajuste sea correcto.
- Para restablecer el eje trasero al ángulo central establecido en el sistema, presione el botón de reinicio de E-track (B).
- Para volver al ángulo ajustado, vuelva a presionar el botón de reinicio de E-track.
- Para ajustar el ángulo central establecido en el sistema, consulte el manual de usuario del panel de control.

## Para ajustar el eje trasero manualmente

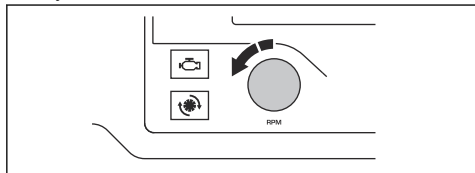
- Gire el perno de ajuste en la parte inferior izquierda de la parte trasera del producto. Utilice una llave de 18 mm



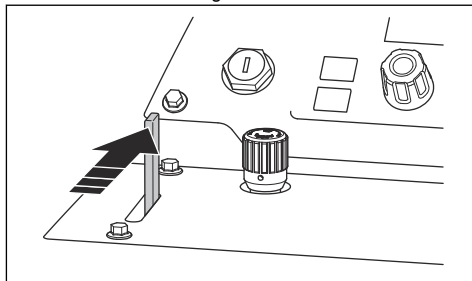
- a) Si el producto se desvía hacia la derecha durante la operación, gire el perno de ajuste hacia la izquierda.
- b) Si el producto se desvía hacia la izquierda durante la operación, gire el perno de ajuste hacia la derecha.

## Para detener el producto

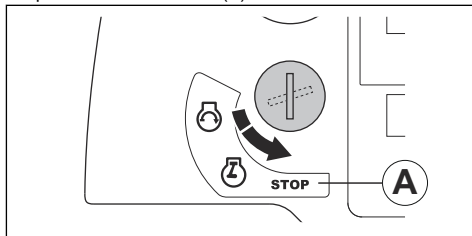
1. Gire la perilla del acelerador a la posición de ralentí bajo.



2. Cierre la válvula de agua.



3. Deje que el motor funcione en régimen de ralentí durante 2 a 3 minutos.
4. Gire el interruptor de encendido del motor a la posición de detención (A).



**ADVERTENCIA:** El disco de corte sigue girando durante un tiempo después de que el motor se detiene. Nunca detenga el disco de corte con las manos. Esto podría ocasionar daños graves.

## Mantenimiento

### Introducción



**ADVERTENCIA:** Lea detenidamente el capítulo de seguridad antes de realizar mantenimiento en el producto.

Para todos los trabajos de mantenimiento y reparación del producto, se requiere capacitación especial. Garantizamos la disponibilidad de reparaciones y servicios profesionales. Si el concesionario no cuenta con un taller de servicio, pídale información acerca del taller de servicio más cercano.

Para obtener piezas de repuesto, consulte a su distribuidor o taller de servicio Husqvarna.

### Tareas previas al mantenimiento

- Estacione el producto en una superficie nivelada y detenga el motor. Presione el botón de detención de la máquina en el panel de control para evitar que se encienda accidentalmente durante el mantenimiento.
- Limpie el aceite y el polvo de la zona que rodea el producto. Retire los objetos no deseados.
- Coloque señales claras alrededor de la zona de mantenimiento para advertir a las demás personas que se está desarrollando un trabajo de mantenimiento.
- Mantenga a mano extintores, suministros médicos y un teléfono de emergencia.

## Programa de mantenimiento

\* Consulte *Dispositivos de seguridad en el producto en la página 64* para obtener instrucciones.

**Tenga en cuenta:** Si se identifica más de un intervalo de tiempo en una fila de la tabla, el intervalo más corto es solamente para el primer mantenimiento.

Mantenimiento	Todos los días y después del transporte	50 h	100 h	250 h	500 h	Anual-mente
Limpie la máquina.	X					
Revise el nivel de refrigerante del radiador	X					
Revise el nivel de aceite del motor.	X					
Revise la protección de la hoja.	*					
Examine todas las mangueras y las abrazaderas de las mangueras. Busque daños en los lugares donde las mangueras rozan con otras mangueras o con piezas del producto.	X					
Limpie el filtro de aire exterior.	X					
Revise las cubiertas protectoras y las protecciones de la hoja.	*					
Drene el agua de la caja de cambios.	X					
Revise el suministro de agua que va hacia el disco de corte.	X					
Drene el separador de agua del filtro de combustible.	X					
Lubrique el pivote del cilindro hidráulico.	X					
Reemplace el aceite del motor y el filtro de aceite del motor.		X	X			
Limpie el filtro de aire del radiador.		X				
Revise las correas en V.		X				
Lubrique las ruedas delanteras.		X				
Sustituya el filtro del sistema hidráulico.		X		X		
Lubrique los cojinetes de pivote del eje delantero.			X			
Revise si hay daños en las ruedas y en los cubos de las ruedas y asegúrese de que estén instalados correctamente.			X			
Examine la manguera y las abrazaderas de la manguera del filtro de aire.			X			
Revise el nivel de aceite hidráulico.			X			
Reemplace el filtro de combustible.			X			
Lubrique el eje del disco.				X		

Mantenimiento	Todos los días y después del transporte	50 h	100 h	250 h	500 h	Anual-mente
Lubrique el cojinete del eje trasero.				X		
Reemplace el aceite hidráulico.					X	
Reemplace el aceite de la caja de cambios.					X	
Reemplace el refrigerante del radiador.					X	
Reemplace los filtros de aire.						X
Revise que la mezcla de refrigerante sea la correcta. Consulte <i>Datos técnicos en la página 99.</i>						X

## Para limpiar el producto



**ADVERTENCIA:** Utilice gafas protectoras. Al limpiar con una hidrolavadora, pueden salir expulsados polvo y materiales nocivos.

- Deje que el producto se enfríe antes de limpiarlo.
- Asegúrese de que la cubierta del relé y la caja de fusibles estén instaladas correctamente antes de limpiar el producto.
- No limpie los componentes eléctricos con agua.
- Utilice un agente de limpieza suave. Póngase guantes protectores para evitar la irritación de la piel.
- Utilice una hidrolavadora para limpiar el producto.

## Para limpiar el radiador



**AVISO:** Siga las instrucciones. Un procedimiento incorrecto puede dañar las aletas de refrigeración.

- Utilice aire comprimido para limpiar las aletas de refrigeración.
- Si es necesario, utilice un lavador de alta presión y un agente de limpieza suave.
- Rocíe directamente en el radiador, en paralelo con las aletas de refrigeración.
- Mantenga una distancia mínima de 40 cm/ 15,75 pulg entre las aletas de refrigeración y la boquilla del lavador de alta presión o del flujo de aire.

## Para limpiar el panel de control



**AVISO:** No utilice lavadores de alta presión para limpiar el panel de control.

- Limpie los componentes eléctricos con un paño o con aire comprimido.
- Limpie el panel de control con un paño húmedo.

## Para limpiar el motor

- Mantenga una distancia mínima de 40 cm/ 15,75 pulg entre las aletas de refrigeración y la boquilla y el motor y sus componentes.
- Tenga cuidado al limpiar el motor, especialmente cerca de componentes eléctricos. No rocíe agua directamente sobre los componentes eléctricos.
- No dirija el agua directamente al tubo de escape ni al filtro de aire del motor.

## Tareas posteriores al mantenimiento

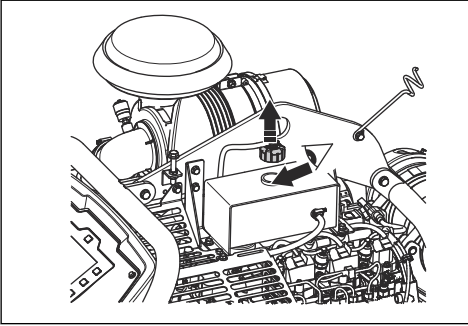
- Seque los terminales eléctricos con aire comprimido.
- Deje que el producto se seque por completo antes de arrancar el motor.

## Para revisar el nivel de refrigerante del radiador



**ADVERTENCIA:** Riesgo de quemaduras. Deje que el motor se enfríe antes de abrir la tapa del refrigerante del radiador.

1. Quite la tapa del refrigerante del radiador.

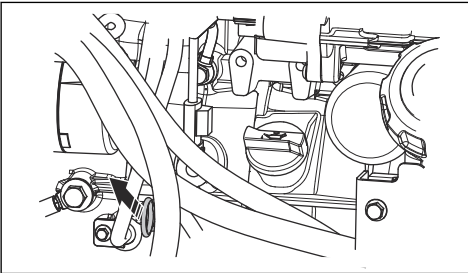


2. Mire el interior del tanque de refrigerante. El nivel del refrigerante es el correcto cuando se encuentra al principio del tubo en el tanque de refrigerante.
3. Si el nivel de refrigerante del radiador es demasiado bajo, llénelo hasta el nivel correcto. Consulte *Datos técnicos en la página 99* para conocer el tipo y la mezcla correcto de refrigerante del radiador.

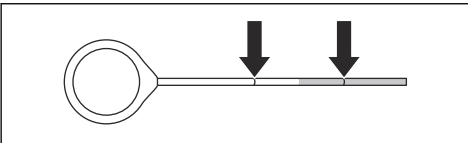
## Para comprobar el nivel de aceite del motor

Para leer el nivel de aceite correctamente, el producto debe estar en la posición correcta.

1. Asegúrese de que se haya extraído el disco de corte y de que el producto esté nivelado cuando examine el nivel de aceite del motor.
2. Extraiga la varilla de nivel del depósito de aceite.



3. Limpie el aceite de la varilla de nivel.
4. Vuelva a colocar la varilla completamente dentro del depósito de aceite.
5. Quitó la varilla de nivel.
6. Examine el nivel de aceite con la varilla de nivel. Asegúrese de que el nivel de aceite del motor esté entre las marcas de la varilla de nivel.



7. Si el nivel de aceite es bajo, llene con aceite de motor y revise nuevamente. Consulte *Datos técnicos en la página 99* para conocer el tipo correcto de aceite del motor.

## Para examinar las mangueras y las abrazaderas de las mangueras

- Busque fugas en las mangueras del sistema de combustible, el sistema hidráulico y el sistema refrigerante.
- Busque daños y desgaste en las mangueras, especialmente en los lugares donde estas rozan con otras mangueras o con piezas del producto.
- Cambie las mangueras dañadas.
- Apriete las abrazaderas de las mangueras que estén flojas.

## Para limpiar el filtro de aire exterior



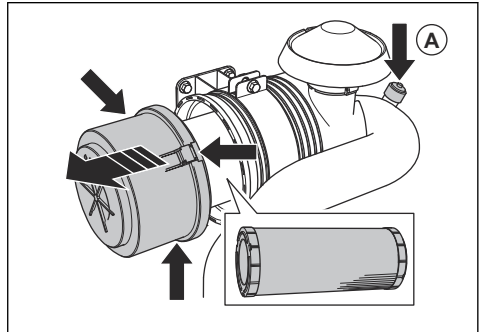
**ADVERTENCIA:** Utilice una protección respiratoria aprobada cuando limpie o reemplace el filtro de aire. Deseche correctamente los filtros de aire usados. El polvo del filtro de aire es peligroso para la salud.



**ADVERTENCIA:** No limpie el filtro de aire con aire comprimido. Esto provoca daños en el filtro de aire y aumenta el riesgo de que respire el polvo peligroso.

No es necesario limpiar el filtro de aire interior.

1. Revise el indicador del filtro de aire (A). Si el indicador del filtro de aire está rojo, es necesario limpiar el filtro de aire exterior.
2. Abra las tres abrazaderas de la caja del filtro de aire y quítela.



3. Retire el filtro de aire.
4. Golpee suavemente el filtro de aire contra una superficie dura o utilice una aspiradora para eliminar las partículas.





**AVISO:** No deje que la boquilla de la aspiradora toque la superficie del filtro de aire. Mantenga una pequeña distancia. La superficie sensible del filtro de aire se daña si algún objeto la toca.

5. Cambie las juntas dañadas.
6. Examine la manguera y las abrazaderas de la manguera del filtro de aire.
  - a) Cambie las partes dañadas.
  - b) Apriete las conexiones flojas.
7. Instale el filtro de aire exterior.
8. Instale la caja del filtro de aire y cierre las tres abrazaderas de la caja del filtro de aire.

**Tenga en cuenta:** Si las tres abrazaderas de la caja del filtro de aire no se pueden cerrar, significa que el filtro de aire exterior no está bien instalado.



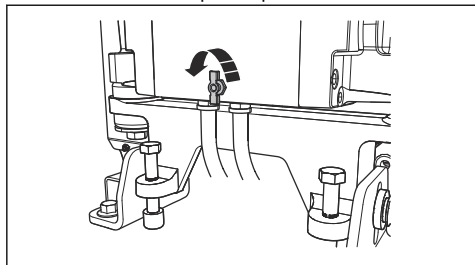
**AVISO:** Si el filtro de aire está dañado, siempre reemplácelo, ya que, de lo contrario, le entrará polvo al motor y lo dañará. Los daños en el motor debidos a que el filtro de aire está dañado anulan la garantía.

## Para drenar el agua de la caja de cambios



**AVISO:** El agua en la caja de cambios puede ocasionar corrosión y daños por congelamiento.

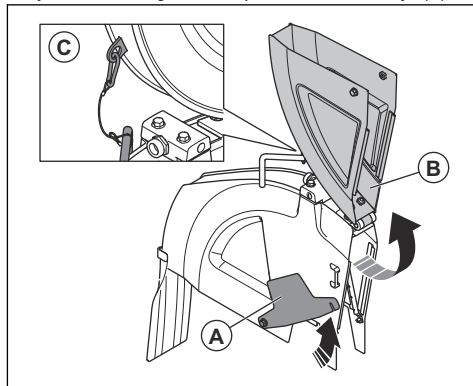
1. Gire la válvula de drenaje de agua de la caja de cambios hacia la izquierda para abrirla.



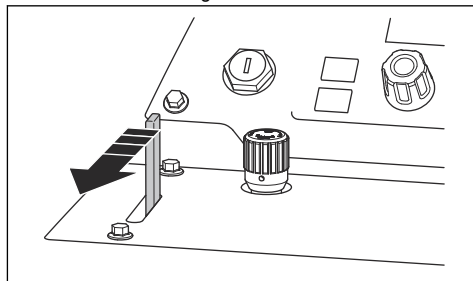
2. Gire la válvula de drenaje de agua de la caja de cambios hacia la derecha para cerrarla.

## Para revisar el suministro de agua que va hacia el disco de corte (FS7000 D)

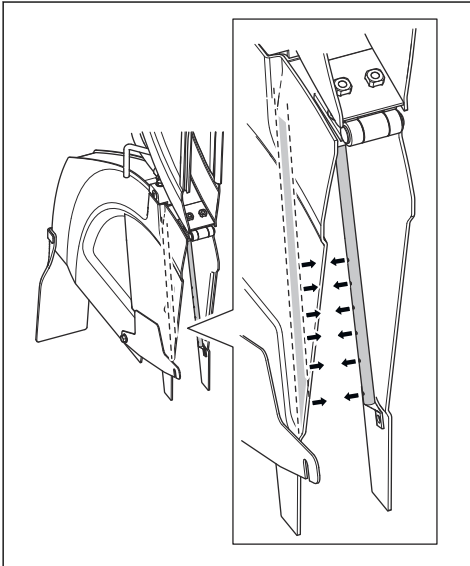
1. Afloje el perno delantero de la protección de la hoja y levante el seguro de la protección de la hoja (A).



2. Levante la parte delantera de la protección de la hoja (B) y bloquéela en posición vertical con un alambre y un mosquetón (C).
3. Abra la válvula de agua.



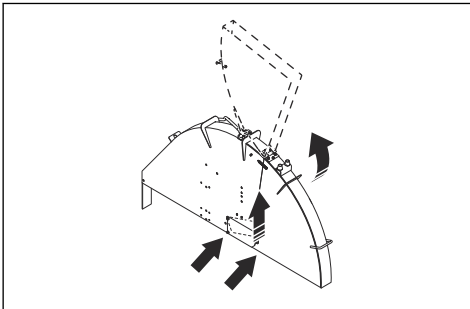
4. Asegúrese de que los chorros de agua salgan en línea recta de los orificios hacia cada lado del disco de corte.



5. Asegúrese de que no haya fugas en las tuberías de agua.
6. Reemplace las tuberías de agua si están dañadas.

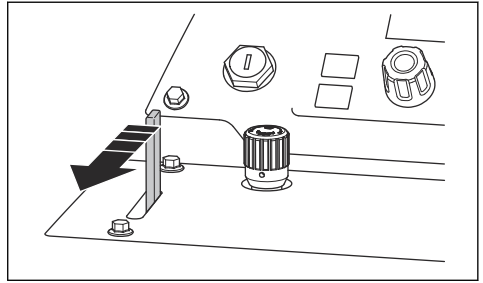
### Para revisar el suministro de agua que va hacia el disco de corte (FS7000 DL)

1. Levante la parte delantera de la protección de la hoja.

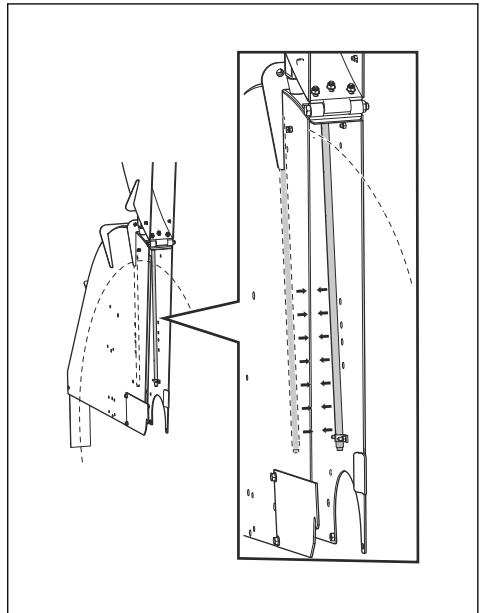


2. Bloquee la protección de la hoja en posición vertical con un gancho de resorte.

3. Abra la válvula de agua.



4. Asegúrese de que los chorros de agua salgan en línea recta de los orificios hacia cada lado del disco de corte.

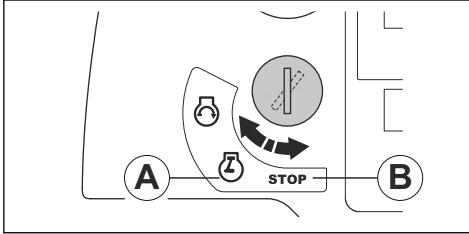


5. Asegúrese de que no haya fugas en las tuberías de agua.
6. Reemplace las tuberías de agua si están dañadas.

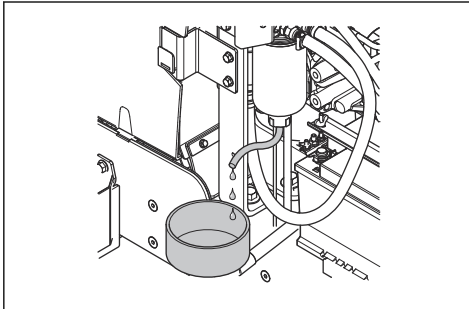
### Para drenar el separador de agua del filtro de combustible

1. Coloque un recipiente debajo de la manguera en la parte inferior del separador de agua del filtro de combustible.

2. Gire el interruptor de encendido del motor a la posición de encendido activado. No arranque el motor.



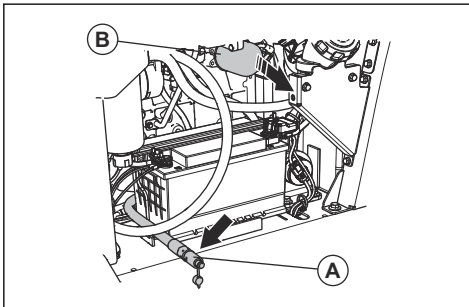
3. Deje que la bomba de combustible funcione durante aproximadamente 15 segundos para aumentar la presión en el sistema de combustible.
4. Gire el interruptor de encendido del motor a la posición de detención (B).
5. Abra el grifo y drene el agua del separador de agua en el recipiente.



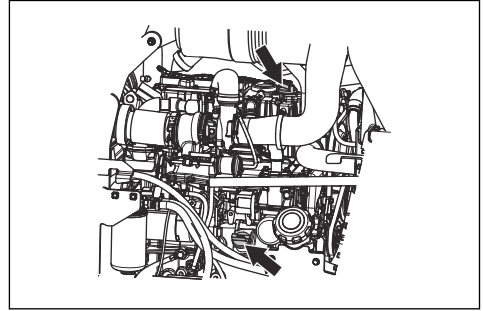
6. Cierre el grifo.
7. Deseche el agua como residuo químico. Consulte *Eliminación en la página 98*.

## Para reemplazar el aceite del motor y el filtro de aceite del motor

1. Coloque una cubierta sobre la batería para evitar que le caiga aceite.
2. Quite la tapa (A) de la manguera de drenaje de aceite del motor.



3. Abra la válvula y doble la manguera hacia abajo para drenar el aceite del motor.
4. Quite el filtro de aceite del motor (B) y deséchelo.
5. Cierre la válvula.
6. Llene un filtro de aceite del motor nuevo con aceite e instale dicho filtro de aceite del motor en el producto.
7. Abra una de las tapas del depósito de aceite y llene el sistema con aceite de motor. Consulte *Datos técnicos en la página 99*.



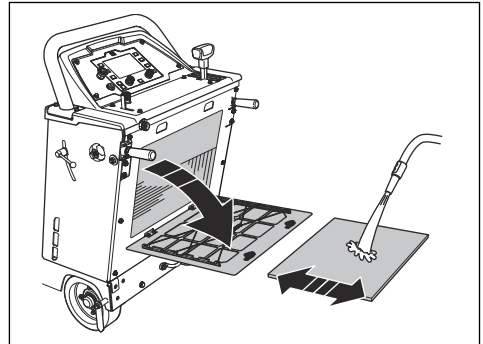
**Tenga en cuenta:** Hay dos tapas en el depósito de aceite del motor.

## Para limpiar el filtro de aire del radiador



**AVISO:** No utilice el producto sin el filtro de aire del radiador instalado.

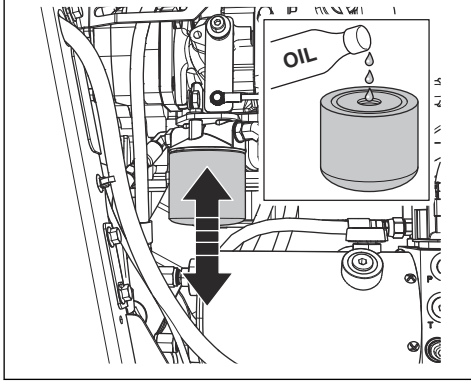
- Limpie el filtro de aire del radiador con jabón y agua.



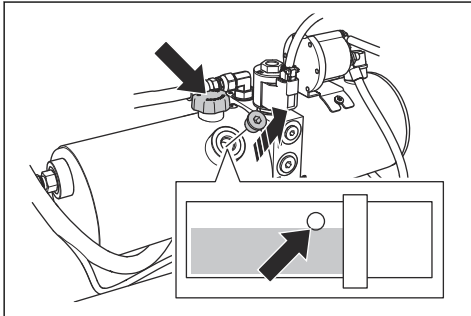
- Si el filtro de aire del radiador está dañado, siempre reemplácelo.

## Para reemplazar el filtro del sistema hidráulico

1. Extraiga el filtro del sistema hidráulico y deséchelo.



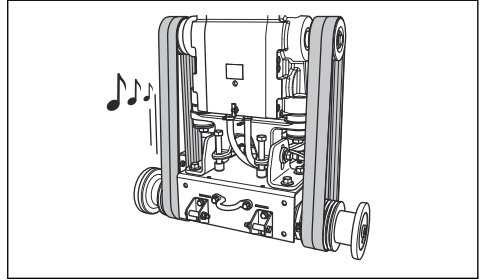
2. Llene con aceite un nuevo filtro del sistema hidráulico. Consulte *Datos técnicos en la página 99* para conocer el tipo de aceite correcto.
3. Lubrique el sello con unas gotas de aceite.
4. Instale el filtro del sistema hidráulico.
5. Asegúrese de que el producto esté nivelado.
6. Quite la tapa de la abertura de inspección del depósito hidráulico.



7. Quite la tapa del depósito hidráulico y llénelo con aceite nuevo hasta el nivel correcto. Consulte *Para revisar el nivel de aceite hidráulico en la página 89*.
8. Instale la tapa del depósito hidráulico.
9. Instale el tapón de la abertura de inspección del depósito hidráulico.

## Para revisar las correas en V

- Tire de las correas en V y suéltelas, una por una. Las correas deben emitir un sonido largo, no un sonido corto.



- a) Si oye un sonido largo y claro de las correas en V, la tensión es correcta.
  - b) Si solo oye un sonido breve de las correas en V, significa que la tensión es demasiado baja. Consulte *Para aumentar la tensión de las correas en V en la página 88*.
- Examine las correas en V en busca de desgaste y daños. Reemplace correas en V dañadas.



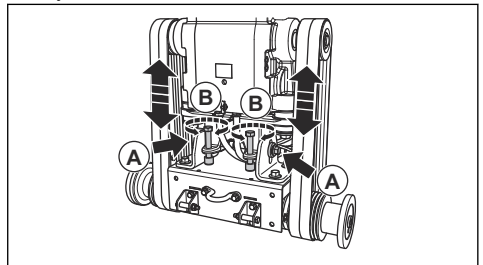
**AVISO:** No reemplace solo una de las correas en V. Reemplace siempre las cuatro correas en V al mismo tiempo.

## Para aumentar la tensión de las correas en V



**AVISO:** La tensión de las correas en V nuevas debe aumentarse después de las primeras 2 a 4 horas de funcionamiento.

1. Afloje los dos pernos (A) con la llave del eje de la hoja.



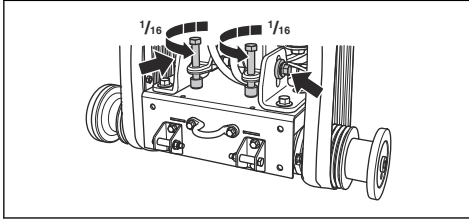
2. Gire los pernos de la tensión de las correas (B) hacia la derecha hasta que las correas en V estén apretadas.



**AVISO:** Gire los dos pernos de la tensión de las correas por igual. La

tensión debe ser la misma en las dos correas en V.

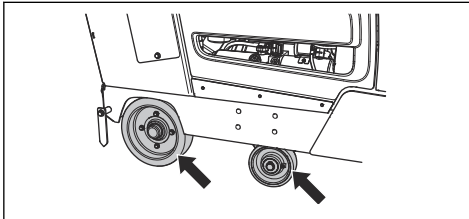
3. Revise las correas en V. Consulte *Para revisar las correas en V en la página 88*.
  - a) Si la tensión de las correas en V es demasiado baja, gire los pernos de la tensión de las correas un poco más.
  - b) Repita este procedimiento hasta que la tensión de las correas en V sea correcta.
4. Apriete los dos pernos (A).
5. Afloje los pernos de la tensión de las correas hacia la derecha aproximadamente 1/16 de vuelta.



**AVISO:** Asegúrese de que las cuatro correas en V tengan la misma tensión. No ajuste demasiado la tensión de las correas en V.

## Para revisar las ruedas

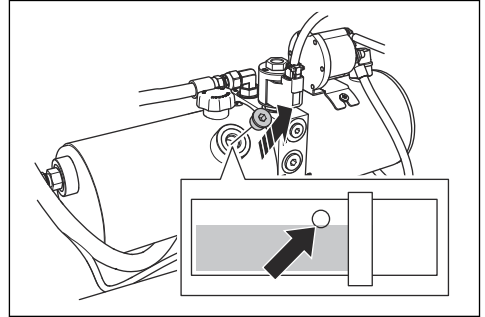
- Revise si hay desgaste o daños en las ruedas. Reemplace las ruedas y los cubos si están dañados o desgastados.



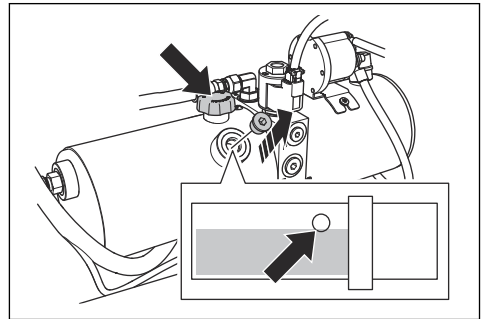
- Revise si las ruedas traseras y los cubos de estas están flojos. Apriete los tornillos y las tuercas que estén flojos.

## Para revisar el nivel de aceite hidráulico

1. Extraiga la tapa de la abertura de inspección del depósito hidráulico. Consulte *Descripción general del producto, lado derecho (FS7000 D)* en la página 56 o *Descripción general del producto, lado derecho (FS7000 DL)* en la página 58 para conocer la posición del depósito hidráulico.



2. Asegúrese de que el nivel de aceite se encuentre en el borde inferior de la abertura del depósito hidráulico.
3. Si es necesario, quite el tapón del depósito hidráulico y llénelo hasta el nivel de aceite correcto. Consulte *Datos técnicos en la página 99* para conocer el tipo de aceite correcto.

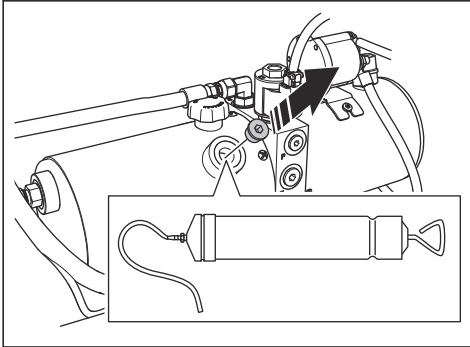


**AVISO:** No llene demasiado. El aceite puede salirse por la abertura de inspección.

4. Instale la tapa del depósito hidráulico.
5. Instale el tapón de la abertura de inspección del depósito hidráulico.

## Para reemplazar el aceite hidráulico

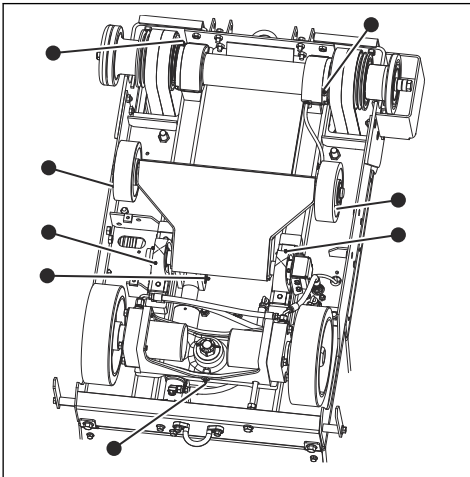
1. Quite la tapa de la abertura de inspección del depósito hidráulico.



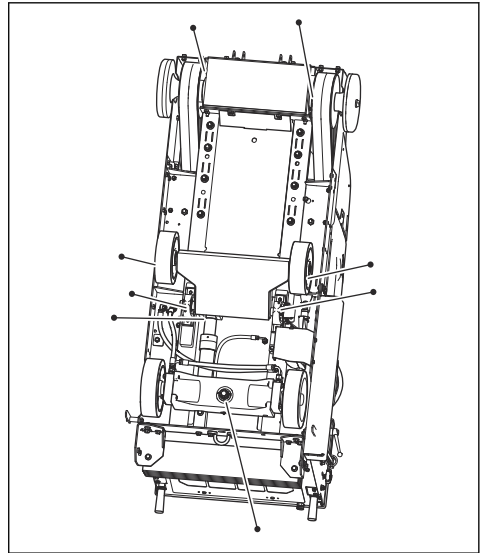
2. Utilice una bomba de aceite manual para drenar el aceite a través de la abertura de inspección del depósito hidráulico.
3. Sustituya el filtro del sistema hidráulico. Consulte *Para reemplazar el filtro del sistema hidráulico en la página 88*.

## Para lubricar el producto

1. Limpie las ocho boquillas de engrase.
  - FS7000 D:



- FS7000 DL:



2. Reemplace las boquillas de engrase rotas o bloqueadas.
3. Lubrique las ruedas delanteras.
4. Lubrique los cojinetes de pivote del eje delantero.
5. Lubrique el eje del disco. Presione la bomba de engrase dos veces en cada extremo del eje de la hoja.
6. Lubrique el pasador de pivote en el cilindro hidráulico.
7. Lubrique el cojinete del eje trasero.

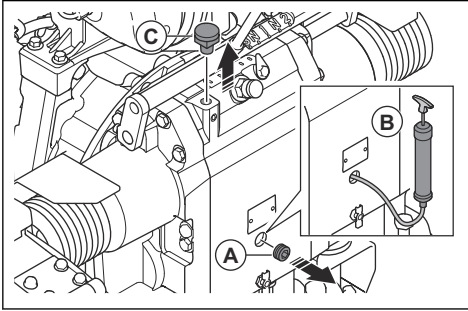
Para obtener más información acerca de la lubricación, consulte *Datos técnicos en la página 99*.

## Para reemplazar el aceite de la caja de cambios

Hay dos alternativas para drenar el aceite de la caja de cambios.

1. Para drenar el aceite con una bomba de aceite manual, lleve a cabo el siguiente procedimiento:

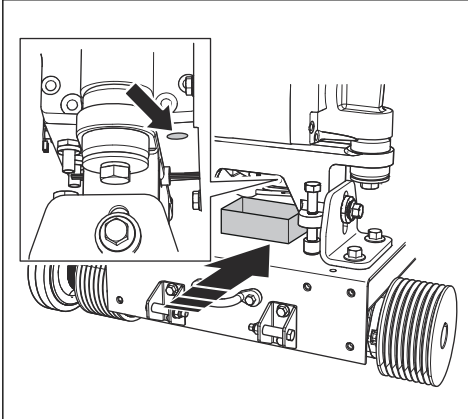
- a) Retire el tapón de la ventana de inspección de la parte delantera del producto (A).



- b) Utilice una bomba de aceite (B) para drenar el aceite a través de la ventana de inspección.

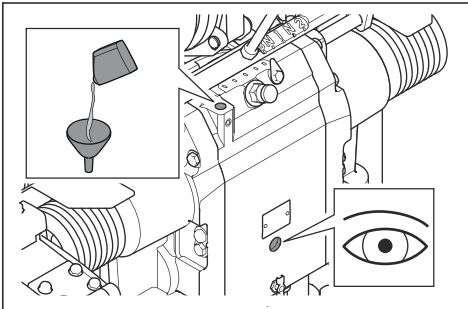
- Retire el tornillo izquierdo (C).
- Para drenar el aceite a través del orificio debajo del motor, lleve a cabo el siguiente procedimiento:

- a) Coloque un recipiente debajo del motor.



- b) Afloje el tornillo y deje que el aceite caiga al recipiente.  
c) Ajuste el tornillo.

- Introduzca aceite por el tubo mientras mira a través de la ventana de inspección.



- Llene hasta que vea que el nivel de aceite es correcto.

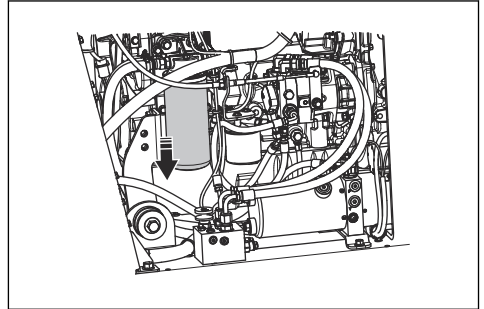
- Apriete el tornillo izquierdo.

## Para reemplazar el filtro de combustible



**ADVERTENCIA:** Utilice guantes protectores para evitar la irritación de la piel. Puede salir combustible del filtro de combustible y caerle en la piel.

- Cierre la válvula del prefiltro. Para obtener más información, consulte el manual del motor.
- Gire el filtro de combustible hacia la izquierda para extraerlo.
- Reemplace el filtro de combustible.
- Llene el nuevo filtro de combustible con combustible diésel.
- Lubrique el sello con unas gotas de combustible diésel.



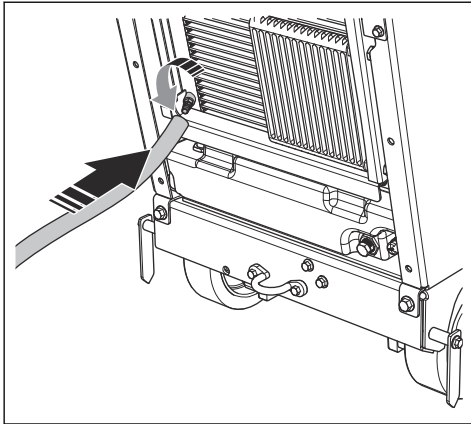
- Instale el filtro de combustible.
- Abra la válvula del prefiltro antes de arrancar el motor.

## Para reemplazar el refrigerante del radiador

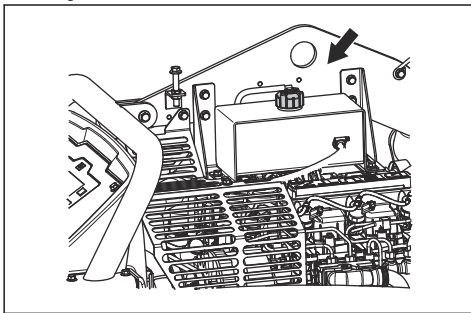


**ADVERTENCIA:** Riesgo de quemaduras. Deje que el motor se enfríe antes de abrir la tapa del refrigerante del radiador.

1. Retire la cubierta trasera.



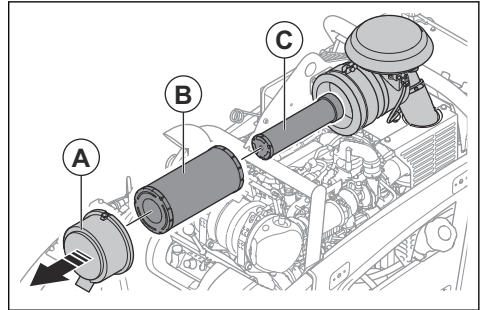
2. Coloque una extensión en la válvula.
3. Abra la válvula.
4. Quite la tapa del refrigerante del radiador. El refrigerante del radiador se drena del sistema.



5. Cierre la válvula.
6. Llénela con el refrigerante del radiador hasta que el nivel esté al principio del tubo del tanque de refrigerante. Consulte *Datos técnicos en la página 99* para conocer el tipo y la mezcla correctos de refrigerante del radiador.

## Para reemplazar los filtros de aire

1. Abra las 3 abrazaderas de la caja del filtro de aire (A) y retírela.



2. Reemplace el filtro de aire exterior (B) y el filtro de aire interior (C).
3. Instale los filtros de aire en la secuencia opuesta.

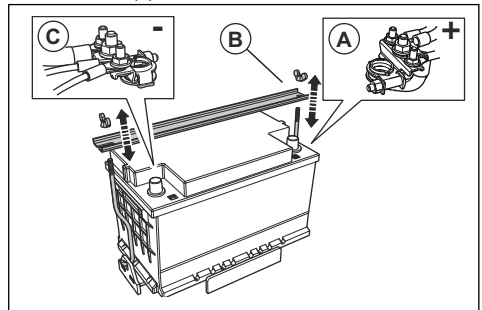
**Tenga en cuenta:** Si las tres abrazaderas de la caja del filtro de aire no se pueden cerrar, significa que el filtro de aire exterior no está bien instalado.

## Mantenimiento de la batería

**Tenga en cuenta:** La batería de su producto no requiere mantenimiento. No abra ni retire las tapas ni las cubiertas.

### Para conectar y desconectar la batería

1. Conecte el cable rojo de la batería (A) al terminal POSITIVO (+) de la batería.



2. Instale la sujeción de la batería (B).
3. Conecte el cable negro de la batería (C) al terminal NEGATIVO (-) de la batería.
4. Desconecte los cables de la batería en el orden inverso al de conexión.

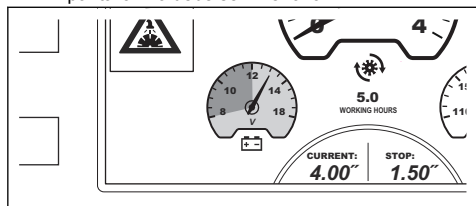


**ADVERTENCIA:** Desconecte siempre primero el terminal NEGATIVO (-) de la batería.



## Para revisar la batería

- Revise la batería todos los días.
  - a) Gire el interruptor de arranque del motor a la posición de encendido activado.
  - b) Examine el calibrador de la batería en la pantalla. No debe ser inferior a 12 V.



- Si el calibrador de la batería está por debajo de los 12 V, cargue o reemplace la batería.
- Reemplace la batería si no puede mantener el voltaje. Esto puede ocurrir si el producto no se utiliza durante mucho tiempo. Para conocer las baterías recomendadas, consulte *Datos técnicos en la página 99*.
- Cargue la batería regularmente.
- Mantenga limpios los terminales y los cables de la batería.

## Para hacer una parada de emergencia del motor

Si la batería está demasiado baja como para arrancar el motor, puede utilizar cables de puente para realizar un arranque de emergencia. Este producto tiene un sistema de 12 V con conexión a tierra negativa. El producto que se utilice para el arranque de emergencia debe tener también un sistema de 12 V con conexión a tierra negativa y un mínimo de 700 CCA.

### Para conectar los cables de puente

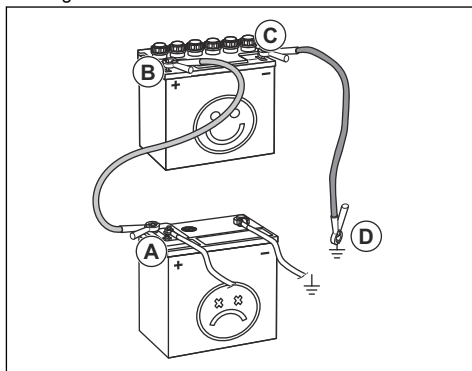


**ADVERTENCIA:** Existe riesgo de explosión debido a los gases explosivos procedentes de la batería. No conecte el terminal negativo de la batería cargada al terminal negativo de la batería con poca carga ni cerca de este.



**AVISO:** No utilice la batería de su producto para arrancar otros vehículos.

1. Conecte un extremo del cable rojo de la batería al terminal POSITIVO (+) (A) de la batería con poca carga.



2. Conecte el otro extremo del cable rojo de la batería al terminal POSITIVO (+) (B) de la batería cargada.



**ADVERTENCIA:** No deje que los extremos del cable rojo de la batería hagan contacto con el chasis, ya que esto provocaría un cortocircuito.

3. Conecte un extremo del cable negro de la batería al terminal NEGATIVO (-) (C) de la batería cargada.
4. Conecte el otro extremo del cable negro de la batería a una CONEXIÓN A TIERRA DEL CHASIS (D), lejos del depósito de combustible y de la batería.

### Para retirar los cables de puente

**Tenga en cuenta:** Quite los cables de puente en la secuencia opuesta a cómo los conectó.

1. Quite el cable NEGRO del chasis.
2. Quite el cable NEGRO de la batería totalmente cargada.
3. Quite el cable ROJO de las 2 baterías.

## Regeneración

**Tenga en cuenta:** La función de regeneración es un requisito legal para los productos que se venden en Europa. La información de esta sección solo es válida para los productos que cumplan con las normas sobre emisiones Euro V.

Para reducir las emisiones de escape, el motor diésel tiene un filtro de partículas diésel (DPF, del inglés Diesel Particulate Filter) que recoge material no deseado del escape. La concentración de material no deseado en el filtro de partículas diésel aumenta durante el funcionamiento y es necesario limpiarlo con regularidad. El procedimiento para limpiar el filtro

de partículas diésel, llamado regeneración de DPF, es un procedimiento totalmente automático que el operador pone en marcha y se controla mediante la unidad de control del motor. Hay diferentes modos de regeneración:

- Se requiere regeneración
- Nivel de advertencia
- Regeneración estacionaria
- Modo de detención del motor
- Regeneración de mantenimiento
- Sustituya el filtro de partículas diésel

### Se requiere regeneración

Cuando aparece este símbolo de advertencia en la pantalla, el motor está en un modo que requiere regeneración.



Este modo no afecta a la potencia de salida del motor. Se recomienda realizar una regeneración estacionaria lo antes posible después de que aparezca el símbolo de advertencia.

### Nivel de advertencia

Cuando estos símbolos de advertencia aparecen en la pantalla, el motor está en el nivel de advertencia.



La potencia de salida del motor se reduce en un 25 %. Se recomienda realizar una regeneración estacionaria lo antes posible después de que aparezca el símbolo de advertencia.

Si el funcionamiento continúa en el nivel de advertencia y la carga de hollín aumenta al 120 % o más, el régimen máximo del motor se reduce a 1500 rpm.

### Regeneración estacionaria

Para realizar una regeneración estacionaria, se necesitan aproximadamente 40 minutos. Consulte

el manual de usuario del panel de control para obtener información sobre cómo realizar la regeneración estacionaria.

### Modo de detención del motor

Cuando estos símbolos de advertencia aparecen en la pantalla, el motor está en modo de detención.



La potencia de salida del motor se reduce en un 50 % y el régimen máximo del motor en un 60 %.

Se debe realizar una regeneración de mantenimiento.

### Regeneración de mantenimiento

Cuando el motor está en modo de detención, no es posible realizar una regeneración estacionaria. Es necesario utilizar la herramienta de mantenimiento SERDIA y realizar una regeneración de mantenimiento.

Para realizar una regeneración de mantenimiento se necesitan aproximadamente 40 minutos. Consulte el manual de usuario del panel de control para obtener información sobre cómo realizar el mantenimiento de la regeneración.

### Sustituya el filtro de partículas diésel

Cuando aparecen estos símbolos de advertencia en la pantalla y el motor presenta el código de error SPN: 4781, FMI:14, no es posible realizar la regeneración. Es necesario sustituir el filtro de partículas diésel.



La potencia de salida del motor se reduce en un 50 % y el régimen máximo del motor al 60 %.

---

## Solución de problemas

---

### Solución de problemas



**ADVERTENCIA:** Si el motor o el disco de corte se detienen, levante el disco de corte por completo del corte. Coloque el interruptor de encendido del motor en la posición de detención y presione el botón

de detención de la máquina en el panel de control. Revise completamente el producto antes de volver a encenderlo.

Para obtener más información sobre los símbolos de advertencia, consulte el manual de usuario del panel de control.

Problema	Causa	Solución
El motor se detiene durante el funcionamiento.	El depósito de combustible está vacío. El símbolo de advertencia correspondiente aparece en la pantalla.	Llene el depósito de combustible con el tipo de combustible correcto.
	El interruptor de seguridad del agua detiene el motor porque no hay presión de agua. El símbolo de advertencia correspondiente aparece en la pantalla junto con un mensaje de advertencia.	Desconecte el interruptor de seguridad del agua. Revise el suministro de agua.
	El botón de detención de la máquina está presionado. El símbolo de advertencia correspondiente aparece en la pantalla junto con un mensaje de advertencia.	Tire hacia arriba del botón de detención de la máquina para volver a poner la detención de la máquina en su condición inicial.
	Demasiada carga sobre el disco de corte.	Escuche el sonido del motor. Si el régimen del motor disminuye, tire hacia atrás de la palanca de control de velocidad.
	Un fusible está roto.	Reemplace los fusibles rotos.
El disco de corte se detiene durante el funcionamiento.	La tensión de la correa de transmisión es insuficiente.	Revise la tensión de la correa de transmisión.
	El embrague de la cuchilla está desacoplado.	Acople el embrague de la cuchilla para que se acople con la transmisión de la cuchilla. Asegúrese de que el régimen del motor sea de 1200 r. p. m. o menos cuando acople el embrague de la cuchilla.
	El embrague de la cuchilla tiene una falla eléctrica o un fusible roto.	Examine los fusibles. Reemplace los fusibles rotos.
El disco de corte desciende demasiado rápidamente.	La válvula que controla la velocidad de la posición del disco de corte está demasiado abierta.	Gire la perilla de ajuste de la velocidad de descenso de la hoja hacia la derecha hasta que se establezca una velocidad aplicable.
El disco de corte corta demasiado despacio.	El disco de corte está desafilado o la presión de alimentación es demasiado alta.	Disminuya la profundidad de corte y el régimen del motor por un tiempo breve
La unidad de control se reinicia cuando se intenta arrancar el motor.	La tensión de la batería es demasiado baja.	Cargue la batería, reemplace la batería o utilice cables de puente.

## Transporte, almacenamiento y eliminación de residuos

### Transporte



**ADVERTENCIA:** Tenga cuidado durante el transporte. El producto es pesado y puede causar lesiones o daños si se cae o se mueve durante el transporte.

Las ruedas permiten mover el producto manualmente en distancias más cortas. Para distancias más largas,

levante el producto para moverlo o súbalo a un vehículo.



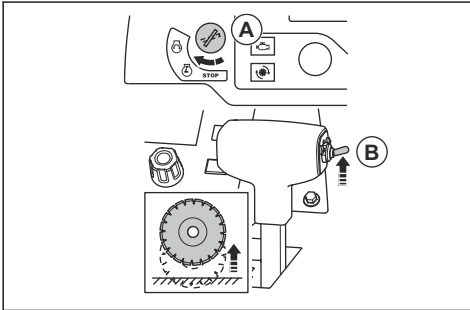
**AVISO:** No remolque el producto detrás de un vehículo.

- Fije el producto con seguridad durante el transporte. Asegúrese de que no se mueva.

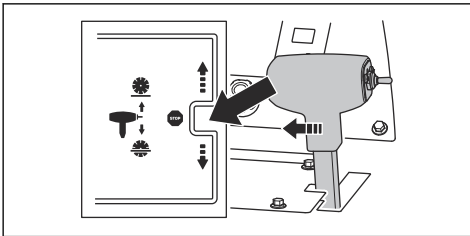
- Quite el disco de corte antes de transportar el producto.
- Extraiga todas las herramientas y llaves.
- Para el transporte del producto y del combustible, asegúrese de que no haya fugas ni gases. Las chispas o llamas, por ejemplo, de dispositivos eléctricos o calderas, pueden iniciar un incendio.
- Siempre utilice recipientes aprobados para el transporte del combustible.
- Revise los discos de corte nuevos para ver si se dañaron durante el transporte.

### Para mover el producto con el motor encendido

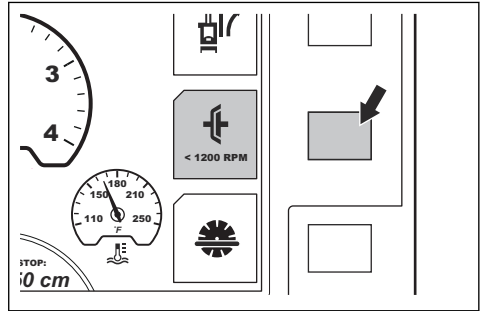
1. Gire el interruptor de encendido del motor a la posición de encendido activado.



2. Mueva hacia arriba el interruptor de ajuste de la profundidad de corte (B) hasta que el disco de corte deje de tocar el suelo.
3. Coloque la palanca de control de velocidad en la posición de detención.



4. Si el producto tiene embrague de cuchilla, asegúrese de que esté desacoplado. El embrague de la cuchilla está desacoplado cuando el símbolo de la pantalla no está en un color diferente.

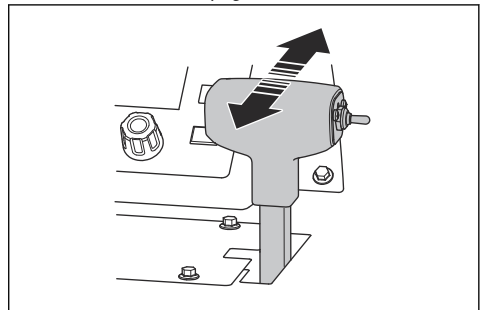


5. Si el producto no tiene embrague de la cuchilla, quite la hoja o mueva la palanca de cambios a la posición neutra. Consulte *Para extraer el disco de corte en la página 71* y *Para cambiar de marcha en un modelo con caja de cambios de 3 velocidades en la página 73*.



**ADVERTENCIA:** Para productos que no tengan embrague de cuchilla, el disco de corte empieza a girar cuando el motor arranca. No mueva el producto hacia un lado o fuera de la zona de trabajo si el disco de corte está girando.

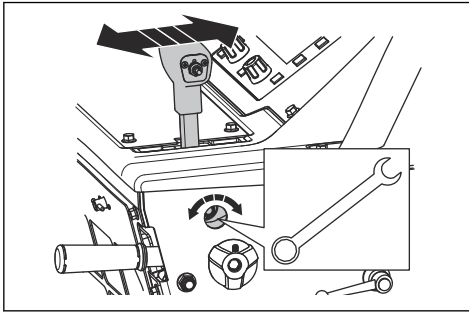
6. Encienda el producto. Consulte *Para poner en marcha la máquina en la página 77*.
7. Empuje la palanca de control de velocidad lentamente hacia delante para un corte hacia delante, o hacia atrás para movimiento en reversa. Cuanto más empuje la palanca de control de velocidad, más aumentará la velocidad. Consulte *Datos técnicos en la página 99*.



**ADVERTENCIA:** No abra la válvula de derivación de la transmisión a la posición neutra mientras el producto esté estacionado en una pendiente. El producto puede desplazarse lejos de

usted y provocar lesiones a las demás personas.

- Ajuste la resistencia en la palanca de control de velocidad con la tuerca al costado de la palanca de control de velocidad.



**Para mover el producto hacia arriba y hacia abajo por una rampa**



**ADVERTENCIA:** Tenga mucho cuidado al mover el producto hacia arriba y hacia abajo en rampas con el motor encendido. El producto es pesado y existe riesgo de lesiones si se cae o se mueve demasiado rápido.

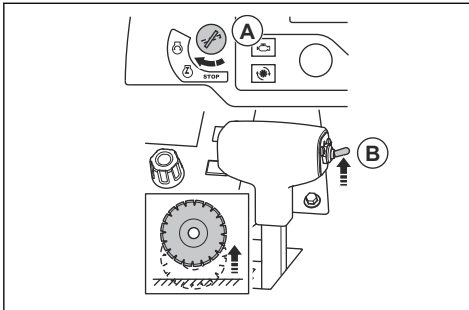


**ADVERTENCIA:** Para rampas con un ángulo grande, utilice siempre un cabrestante. No camine ni permanezca por debajo del producto.

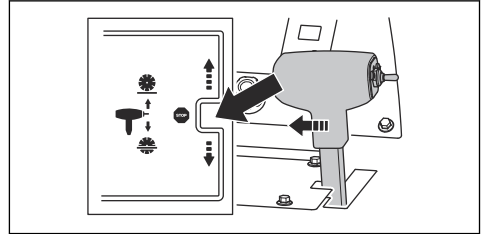
- Para bajar el producto por una rampa, opere el producto lentamente hacia atrás.
- Para subir el producto por una rampa, opere el producto lentamente hacia delante.

**Para mover el producto con el motor apagado**

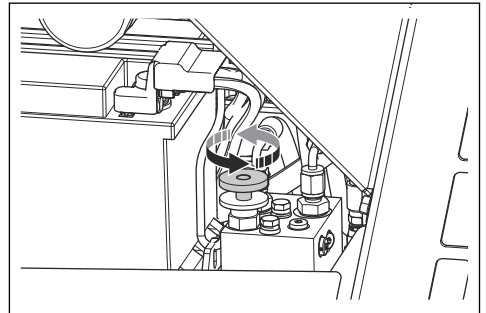
- Gire el interruptor de encendido del motor a la posición de encendido activado.



- Mueva hacia arriba el interruptor de ajuste de la profundidad de corte (B) hasta que el disco de corte deje de tocar el suelo.
- Coloque la palanca de control de velocidad en la posición de detención.



- Gire la válvula de derivación de la transmisión hacia la posición final a la derecha para desacoplar la transmisión.



- Sujete las manijas de operación y empuje el producto para moverlo.



**ADVERTENCIA:** No empuje el producto en una pendiente mientras la válvula de derivación de la transmisión esté en posición neutra. El producto puede desplazarse lejos de usted y provocar lesiones a las demás personas.

**Para levantar el producto**



**ADVERTENCIA:** Asegúrese de que el equipo de elevación tenga la dimensión correcta. La placa de identificación del producto muestra el peso del producto.



**ADVERTENCIA:** No levante el producto si está dañado. Asegúrese de que el cáncamo esté correctamente instalado y de que no esté dañado.

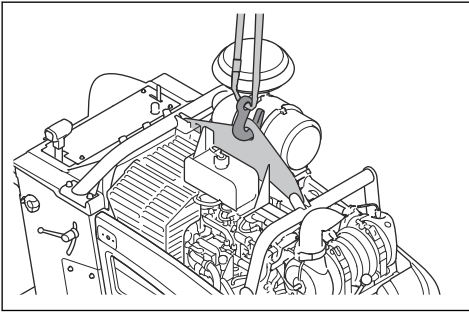


**ADVERTENCIA:** No camine ni permanezca por debajo del producto cuando esté levantado.



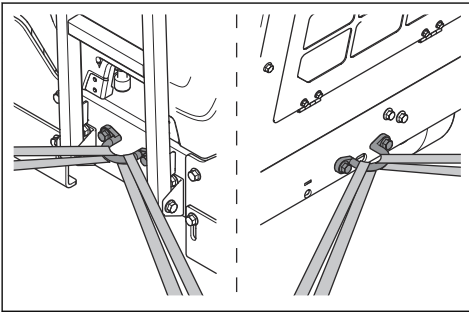
**AVISO:** No levante el producto por las manijas de operación.

- Fije el equipo de elevación al cáncamo.



### Para fijar el producto con seguridad en un vehículo de transporte

1. Pase una correa por el soporte de sujeción de la parte delantera del producto y fije la correa al vehículo.



2. Pase una correa por el soporte de sujeción de la parte trasera del producto y fije la correa al vehículo.

### Almacenamiento

- El producto no tiene freno de estacionamiento. No se aleje del producto cuando esté en una pendiente. Si se ve obligado a estacionar el producto en una pendiente, asegúrese de que esté bien sujeto y de que no se pueda mover.
- Mantenga el producto en un área cerrada para evitar que los niños u otras personas sin autorización puedan acceder a él.
- Drene el agua de la caja de cambios.
- Coloque el interruptor de encendido en la posición de detención.
- Coloque la palanca del control de velocidad en la posición de detención.
- Extraiga el disco de corte del producto.
- Mantenga el disco de corte en una zona segura para evitar daños.

- Mantenga los discos de corte en un lugar seco y sin escarcha.
- Revise los discos de corte nuevos para ver si se dañaron durante el almacenamiento.
- Para el almacenamiento del producto y del combustible, asegúrese de que no haya fugas ni gases. Las chispas o llamas, por ejemplo, de dispositivos eléctricos o calderas, pueden iniciar un incendio.
- Siempre utilice recipientes aprobados para el almacenamiento del combustible.
- Mantenga la batería en una zona fresca y seca.

Para el almacenamiento a largo plazo, realice los siguientes pasos:

- Limpie el producto y realice un mantenimiento completo.
- Lubrique todos los puntos de lubricación.
- Desconecte el cable de la batería del terminal negativo de la batería y coloque el cable de la batería a una distancia segura de la misma.
- Realice una carga continua y lenta de la batería durante un tiempo de almacenamiento prolongado.
- Llene el depósito de combustible para evitar la entrada de agua en el sistema de combustible.
- Mantenga el producto en un lugar seco y sin escarcha.
- Drene el separador de agua del filtro de combustible.
- Compruebe que el punto de congelación del refrigerante del motor sea suficiente para las temperaturas en el lugar de almacenamiento.
- Coloque una cubierta protectora sobre el producto. Esto es especialmente importante para el almacenamiento en exteriores.
- Cambie el aceite del motor después de un almacenamiento prolongado.

### Eliminación

- Las sustancias químicas pueden ser peligrosas y no deben tirarse en el suelo. Siempre elimine los productos químicos utilizados en un centro de servicio o un lugar adecuado para su eliminación.
- Cuando el producto se desgaste completamente, envíe al distribuidor o a un centro de reciclaje aplicable.
- El aceite, los filtros de aceite, el combustible y la batería pueden tener efectos negativos en el ambiente. Obedezca las regulaciones vigentes y requisitos de reciclaje locales.
- No deseche la batería como un residuo doméstico.
- Envíe la batería a un taller de servicio Husqvarna o deséchela en un lugar para eliminación de baterías usadas.

---

## Datos técnicos

---

### Datos técnicos


<b>Motor*</b>	
Marca del motor, tipo	Deutz, TD 2.9 L4
Potencia del motor, kW/hp a r. p. m. <sup>5</sup>	55,4/74,3 a 2600
Cilindrada, dm <sup>3</sup> /pulg. cúb.	2,92/178
Cilindros	4
Filtro de aire	Sello radial con prefiltro e indicador de restricción
Motor de partida	Eléctrico
Combustible	Solo combustible diésel con contenido ultrabajo de azufre

\* = Para obtener más información y para preguntas sobre este motor específico, consulte el manual del motor o el sitio web del fabricante del motor.

<b>Combustible y sistema de lubricación</b>	
Capacidad del depósito de combustible, l/gal	40/10,6
Capacidad del depósito de aceite, l/cuartos de galón	8,5/9
Aceite del motor	SAE 15W40 o SAE 10W30, API clase CJ-4, ACEA E6-08, ACEA E9-08
Aceite de la caja de cambios	SAE 75W90
Capacidad del depósito de aceite de la caja de cambios, l/cuartos de galón	Modelo de caja de cambios de 1 velocidad: 0,95/1 Modelo de caja de cambios de 3 velocidad: 1,77/1,87
Grasa	Calidad: NLGI 2. Norma: SAE J310
Aceite hidráulico	SAE 15W40, API clase SE, API clase CC, API clase CD

---

<sup>5</sup> Como lo especifica el fabricante del motor. La calificación indicada de potencia de los motores corresponde a la potencia de salida bruta promedio (en las r. p. m. especificadas) de un motor de producción típico para el modelo de motor medido según la SAE J1995. Los motores de producción masiva podrían diferir de este valor. La salida de potencia real para el motor instalado en la máquina final dependerá de la velocidad de funcionamiento, las condiciones medioambientales y otras variables.

<b>Combustible y sistema de lubricación</b>	
Fluido refrigerante	Glicol etileno y agua, mezcla 50/50 Viene con el producto al momento de la compra.  Glicol de propileno y agua, mezcla 50/50
	 <b>AVISO:</b> No realice la mezcla directamente en el depósito. Es más fácil obtener la mezcla 50/50 correcta si la prepara en un recipiente.

<b>Batería</b>	
Tipo de terminal	T6
BCI	94R
Voltaje, V	12
Capacidad, Ah	80-120
CCA, A	760-860
Tamaño máx. LxAxA, mm/pulg	316 x 175 x 190/12,4 x 6,9 x 7,5

<b>Ajuste de la sierra, FS7000 D</b>	<b>500/20</b>	<b>650/26</b>	<b>750/30</b>	<b>900/36</b>	<b>1000/42</b>
Capacidad de protección de la hoja, mm/pulg	500/20	650/26	750/30	900/36	1000/42
Profundidad máxima de corte, mm/pulg	193/7,75	262/10,5	312/12,5	374/15	411/17,5
Eje del disco, rpm	2362	1762	1624	1354	1150
Potencia aproximada del eje de la hoja, kW/hp	68/50				
Tamaño del eje giratorio, mm/pulg	25,4/1 con cinco pasadores de arrastre				
Diámetro de la brida de la cuchilla de desconexión rápida, mm/pulg	114,5/4,5	127/5	127/5	152,5/6	178/7
Transmisión del eje de la cuchilla	3 correas en V VX				
Refrigerante de la cuchilla	Agua				
Accesorio del protector de la cuchilla	De calce deslizando, con seguro automático				
Propulsión	Hidráulica				
Velocidad absoluta máxima	Variable infinita: 0-76 m/min / 0-250 pies/min de avance y retroceso. Velocidad máxima de marcha atrás de 25 m/min en los modelos CE.				
Peso nominal (fuera de la caja), kg/lb	960/2116	980/2161	980/2161	1000/2205	1050/2315
Peso de funcionamiento máx. con accesorios optativos, kg/lb	1030/2271	1050/2315	1050/2315	1070/2359	1120/2469



<b>Ajuste de la sierra, FS7000 DL</b>	<b>650/26</b>	<b>900/36</b>	<b>1000/42</b>	<b>1200/48</b>	<b>1500/60</b>
Capacidad de protección de la hoja, mm/pulg	650/26	900/36	1000/42	1200/48	1500/60
Profundidad máxima de corte, mm/pulg	262/10,5	374/15	411/17,5	498/20	623/25
Eje del disco, rpm	1762	1354	1150	1015	792
Potencia aproximada del eje de la hoja, kW/hp	68/50				
Tamaño del eje giratorio, mm/pulg	25,4/1 con 6 tornillos				
Diámetro de la brida de la cuchilla de desconexión rápida, mm/pulg	127/5	152,5/6	178/7	203,2/8	254/10
Transmisión del eje de la cuchilla	3 correas en V VX				
Refrigerante de la cuchilla	Agua				
Accesorio del protector de la cuchilla	De calce deslizante, con seguro automático			Con perno	
Propulsión	Hidráulica				
Velocidad absoluta máxima	Variable infinita: 0-76 m/min / 0-250 pies/min de avance y retroceso. Velocidad máxima de retroceso 25 m/min en los modelos CE.				
Peso nominal (fuera de la caja), kg/lb	1010/2226	1030/2271	1040/2293	1050/2315	1290/2844
Peso de funcionamiento máx. con accesorios optativos, kg/lb	1070/2359	1090/2403	1110/2447	1120/2469	1360/2998

<b>Emisiones de ruido y vibración</b>	
Nivel de potencia acústica, medido en dB (A)	115
Nivel de potencia acústica garantizada $L_{WA}$ dB (A) <sup>6</sup>	119
Nivel de presión sonora en el oído del operador, dB(A) <sup>7</sup>	101
Nivel de vibración, $a_{hv}$ , m/s <sup>2</sup> , manija derecha/manija izquierda <sup>8</sup>	<2,5/<2,5

## Declaración de ruido y vibración

Estos valores declarados se obtuvieron mediante pruebas de laboratorio, en conformidad con la directiva o las normas declaradas, y son adecuados para compararlos con los valores declarados de otros productos probados en conformidad con la misma

directiva o normas. Estos valores declarados no son adecuados para su uso en evaluaciones de riesgos, y los valores medidos en lugares de trabajo individuales pueden ser superiores. Los valores de exposición reales y el riesgo de daños que experimente un usuario individual son únicos y dependen de la forma en que el usuario trabaja, del material en que se utiliza el

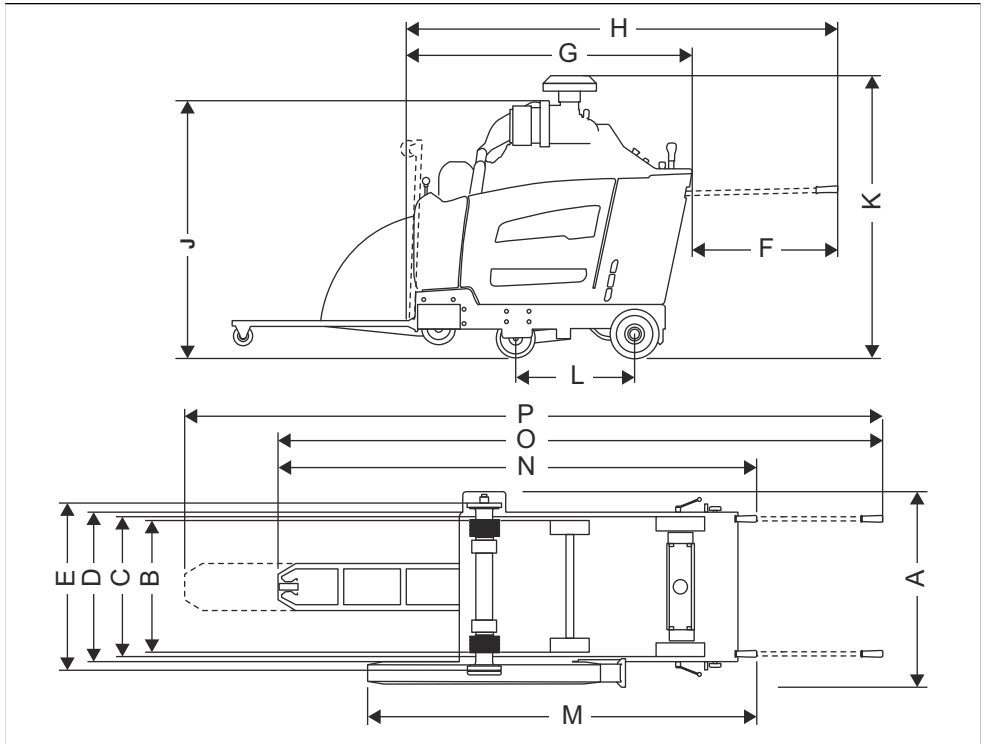
<sup>6</sup> Las emisiones sonoras en el medio ambiente medidas como potencia acústica ( $L_{WA}$ ) en conformidad con la directiva CE 2000/14/CE. La diferencia entre la potencia acústica garantizada y medida es que la potencia acústica garantizada también incluye la dispersión en el resultado de la medición y las variaciones entre las distintas máquinas del mismo modelo según la directiva 2000/14/CE.

<sup>7</sup> Nivel de presión sonora según ISO EN 13862. Los datos informados en cuanto al nivel de presión sonora tienen una dispersión estadística típica (desviación estándar) de 2,5 dB(A).

<sup>8</sup> Nivel de vibración según EN 13862. Los datos informados en cuanto al nivel de vibración tienen una dispersión estadística típica (desviación estándar) de 1 m/s<sup>2</sup>.

producto, así como del tiempo de exposición y el estado físico del usuario, y del estado del producto.

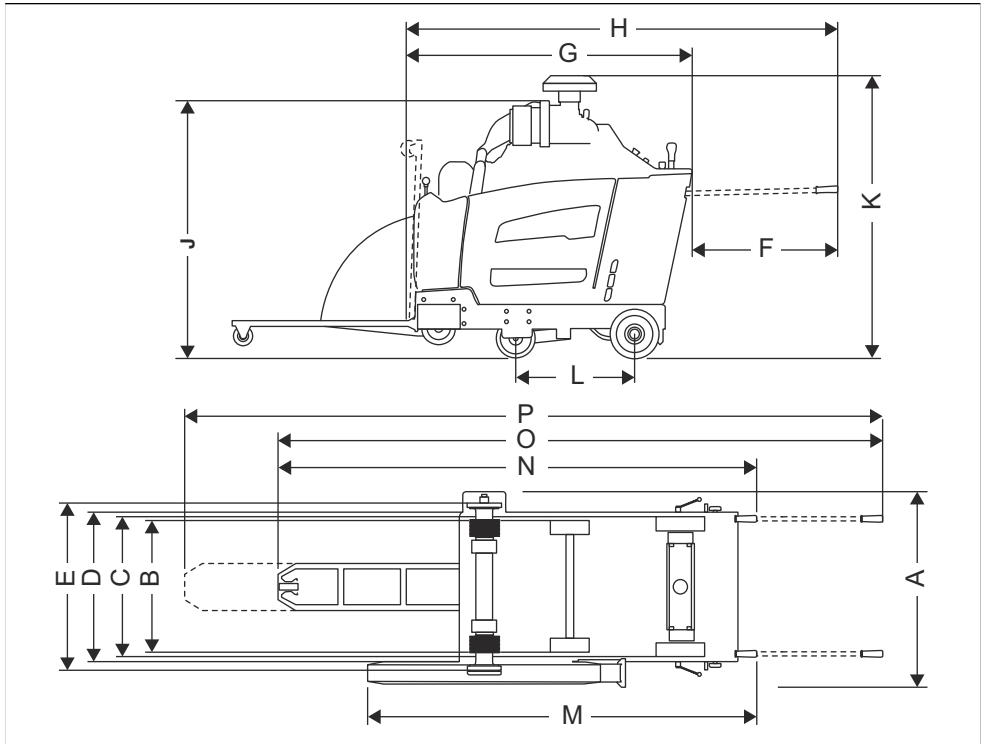
## Dimensiones del producto (FS7000 D)



<b>A</b>	Ancho, mm/pulg	974/38,4	<b>J</b>	Altura mín. total (sin tubo de escape, sin la tapa del prefiltro), mm/pulg	1319/51,9
<b>B</b>	Ancho de la rueda de centro a centro, mm/pulg	Delanteras: 604/23,8, traseras: 646/25,4	<b>K</b>	Altura máx. total (parte superior del prefiltro), mm/pulg	1499/59
<b>C</b>	Ancho de la rueda de punta a punta, mm/pulg	Delanteras: 680/26,8, traseras: 722/28,4	<b>L</b>	Largo de la base de la rueda, mm/pulg	597/23,5
<b>D</b>	Ancho del marco, mm/pulg	750/29,5	<b>M</b>	Largo, de la protección a la manija (con las manijas adentro), mm/pulg	1961/77,2
<b>E</b>	Ancho de brida interior a brida interior, mm/pulg	829,5/32,7	<b>N</b>	Largo máx. total (con las manijas adentro), mm/pulg	2500/98,4
<b>F</b>	Extensión de las manijas, mm/pulg	809/31,9	<b>O</b>	Largo máx. total (con las manijas afuera, puntero hacia abajo), mm/pulg	3190/125,6

<b>G</b>	Largo mín. de la sierra (puntero y protección hacia arriba, sin manijas), mm/pulg	1642/64,6	<b>P</b>	Largo máx. total (con las manijas afuera, puntero extendido), mm/pulg	3670/144,5
<b>H</b>	Largo de la sierra (con el puntero hacia arriba, con las manijas afuera), mm/pulg	2417/95,2			

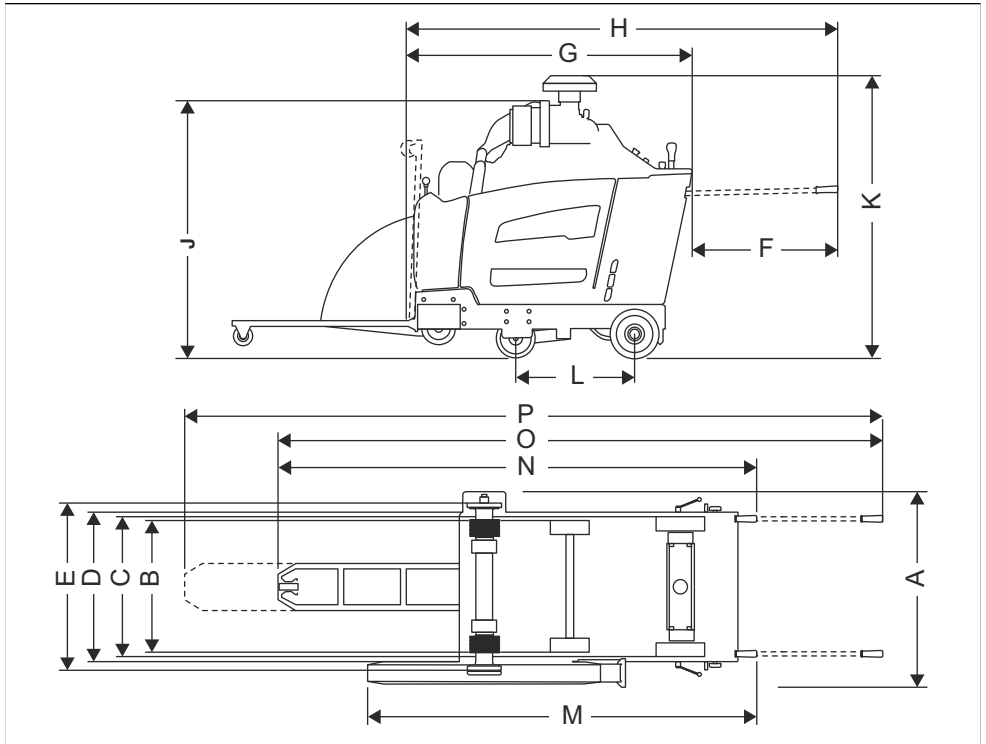
## Dimensiones del producto (FS7000 DL, de 36 a 48 pulg)



<b>A</b>	Ancho, mm/pulg	990/39	<b>J</b>	Altura mín. total (sin tubo de escape, sin la tapa del prefiltro), mm/pulg	1319/51,9
<b>B</b>	Ancho de la rueda de centro a centro, mm/pulg	Delanteras: 604/23,8, traseras: 646/25,4	<b>K</b>	Altura máx. total (parte superior del prefiltro), mm/pulg	1499/59
<b>C</b>	Ancho de la rueda de punta a punta, mm/pulg	Delanteras: 680/26,8, traseras: 722/28,4	<b>L</b>	Largo de la base de la rueda, mm/pulg	597/23,5
<b>D</b>	Ancho del marco, mm/pulg	750/29,5	<b>M</b>	Largo, de la protección a la manija (con las manijas adentro), mm/pulg	2465/97
<b>E</b>	Ancho de brida interior a brida interior, mm/pulg	830/32,7	<b>N</b>	Largo máx. total (con las manijas adentro), mm/pulg	2793/110
<b>F</b>	Extensión de las manijas, mm/pulg	809/31,9	<b>O</b>	Largo máx. total (con las manijas afuera, puntero hacia abajo), mm/pulg	3483/137,1

<b>G</b>	Largo mín. de la sierra (puntero y protección hacia arriba, sin manijas), mm/pulg	1941/76,4	<b>P</b>	Largo máx. total (con las manijas afuera, puntero extendido), mm/pulg	3963/156
<b>H</b>	Largo de la sierra (con el puntero hacia arriba, con las manijas afuera), mm/pulg	2417/95,2			

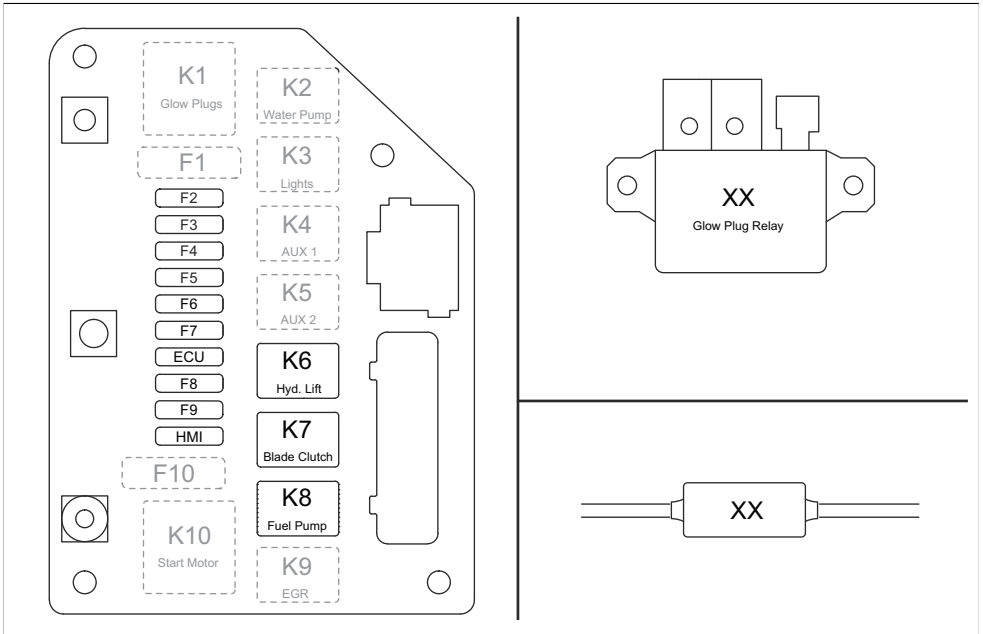
## Dimensiones del producto (FS7000 DL, 60 pulg)



<b>A</b>	Ancho, mm/pulg	1003/39,5	<b>J</b>	Altura mín. total (sin tubo de escape, sin la tapa del prefiltro), mm/pulg	2918/114,9
<b>B</b>	Ancho de la rueda de centro a centro, mm/pulg	Delanteras: 604/23,8, traseras: 646/25,4	<b>K</b>	Altura máx. total (parte superior del prefiltro), mm/pulg	1499/59
<b>C</b>	Ancho de la rueda de punta a punta, mm/pulg	Delanteras: 680/26,8, traseras: 722/28,4	<b>L</b>	Largo de la base de la rueda, mm/pulg	597/23,5
<b>D</b>	Ancho del marco, mm/pulg	750/29,5	<b>M</b>	Largo, de la protección a la manija (con las manijas adentro), mm/pulg	2465/97
<b>E</b>	Ancho de brida interior a brida interior, mm/pulg	825/32,5	<b>N</b>	Largo máx. total (con las manijas adentro), mm/pulg	2977/117,2
<b>F</b>	Extensión de las manijas, mm/pulg	809/31,9	<b>O</b>	Largo máx. total (con las manijas afuera, puntero hacia abajo), mm/pulg	3571/140,6

<b>G</b>	Largo mín. de la sierra (puntero y protección hacia arriba, sin manijas), mm/pulg	2324/91,5	<b>P</b>	Largo máx. total (con las manijas afuera, puntero extendido), mm/pulg	4051/159,5
<b>H</b>	Largo de la sierra (con el puntero hacia arriba, con las manijas afuera), mm/pulg	2417/95,2			

## Relés y fusibles



Función	Denominación	Relé (A)	Denominación	Fusible (A)
Calentador	K1	(no utilizado)	F1	(no utilizado)
Bomba de agua (optativa)	K2	25	F2	25
Luces (optativas)	K3	25	F3	25
Sistema de residuos (optativo)	K4	25	F4	25
5.ª rueda (optativa)	K5	25	F5	25
Bomba de elevación hidráulica	K6	25	F6	25
Embrague del disco	K7	25	F7	15
Bomba de combustible	K8	25	F8	20
EGR/Solenoide de combustible	K9	(no utilizado)	F9	(no utilizado)



<b>Función</b>	<b>Denominación</b>	<b>Relé (A)</b>	<b>Denominación</b>	<b>Fusible (A)</b>
Motor de arranque	K10	(no utilizado)	F10	(no utilizado)
ECU	n/a	n/a	ECU	25
HMI	n/a	n/a	HMI	25

---

## Accesorios

---

### Accesorios Husqvarna aprobados

- Kit de contrapesos traseros, 2 barras.
- Kit de luz doble.
- Kit de bomba de agua.
- Kit de 5.<sup>a</sup> rueda.

---

## Table des matières

---

Introduction.....	110	Dépannage.....	151
Sécurité.....	118	Transport, entreposage et mise au rebut.....	152
Fonctionnement.....	123	Données techniques.....	156
Entretien.....	138	Accessoires.....	166

---

## Introduction

---

### Proposition 65 de la Californie



## ATTENTION!

Les émissions du moteur de cet outil contiennent des produits chimiques qui, d'après l'État de Californie, peuvent causer le cancer, des malformations congénitales ou autre danger pour la reproduction.

### Responsabilité du propriétaire

Effectuer une coupe humide pour réduire au minimum les émissions de poussière.



**AVERTISSEMENT :** La coupe, en particulier la coupe à sec, produit de la poussière qui provient du matériau coupé, qui contient souvent de la silice. La silice est un composant de base du sable, du quartz, de la brique d'argile, du granit et de nombreux autres pierres et minéraux. L'exposition à une quantité excessive de ces poussières peut entraîner :

une maladie respiratoire (réduisant la capacité à respirer), notamment la bronchite chronique, la silicose et la fibrose pulmonaire causée par l'exposition à la silice. Ces maladies peuvent être fatales;

Des irritations et éruptions cutanées.

Le cancer, selon le NTP (National Toxicology Program) et le CIRC (Centre International de recherche sur le cancer).

Prendre les précautions suivantes :

Éviter l'inhalation et le contact cutané avec les poussières, brouillards et fumées.

Porter et veiller à ce que les personnes à proximité portent un dispositif de protection respiratoire approprié, tel un masque antipoussière filtrant les particules microscopiques. (Voir OSHA 29 CFR Part 1926.1153)

Il est de la responsabilité du propriétaire ou de l'employeur de s'assurer que l'utilisateur possède les connaissances nécessaires pour manipuler le produit en toute sécurité. Les superviseurs et les utilisateurs doivent avoir lu et compris le manuel d'utilisation. Ils doivent être conscients des éléments suivants :

- Les consignes de sécurité relatives aux produits.
- L'éventail d'applications du produit et ses limites.
- La manière dont le produit doit être utilisé et entretenu.

Les règlements locaux ou nationaux peuvent limiter l'utilisation de ce produit. Rechercher les réglementations en vigueur où le travail est exécuté avant d'utiliser le produit.

### Description de l'outil

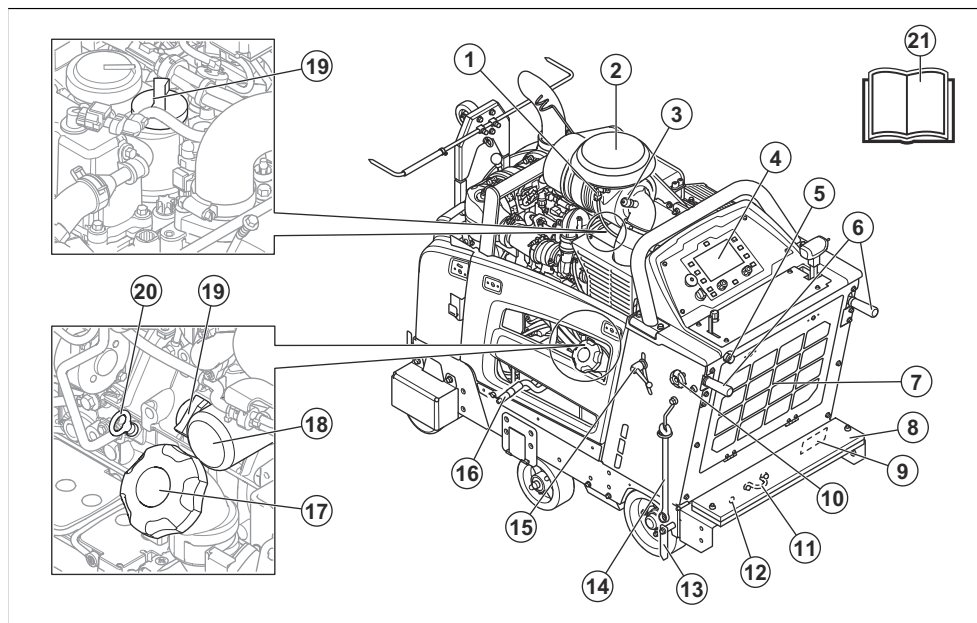
L'outil est une scie de sol autotractée avec un moteur à combustion. Le produit est doté d'un guide réglable qui permet de voir clairement le fonctionnement et facilite la coupe en ligne droite. Le produit est doté d'un panneau de commande avec affichage numérique qui surveille toutes les fonctions.

### Utilisation prévue

Ce produit est utilisé avec des disques diamantés pour la coupe humide afin de découper des matériaux de surface de sol durs tels que le béton, l'asphalte et la pierre. Toute autre utilisation est inappropriée.

Le produit est conçu pour des opérations industrielles et destiné à des opérateurs expérimentés.

## Présentation du produit, côté gauche (FS7000 D)

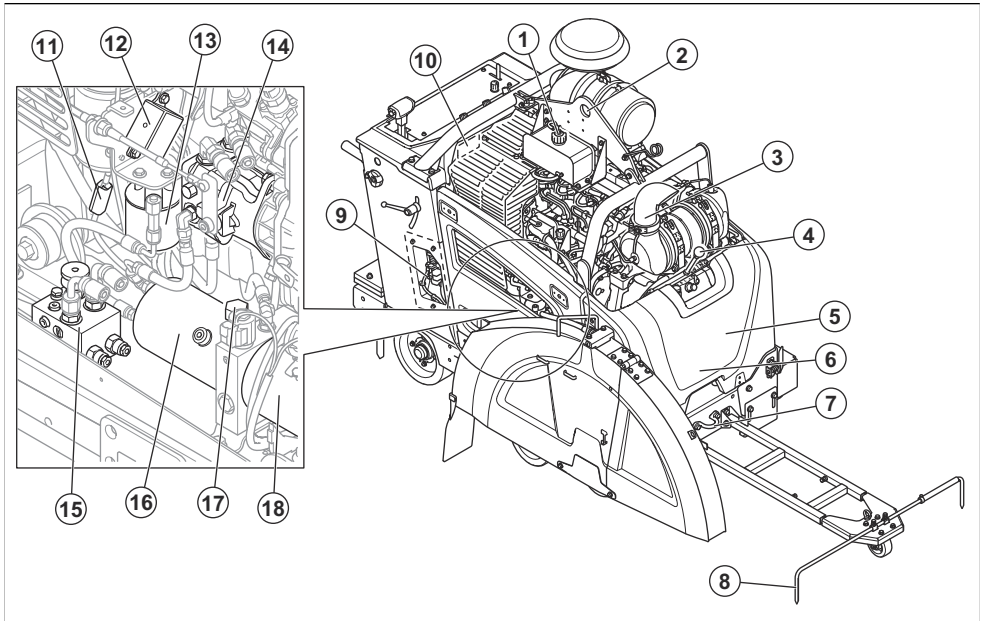


**Remarque :** Le produit peut comporter des configurations différentes. Ainsi, l'apparence du produit peut être différente de la présentation du produit.

1. Capteur de température ambiante
2. Filtre à air
3. Indicateur du filtre à air
4. Panneau de commande et écran
5. Entrée d'eau
6. Poignées de guidon
7. Filtre à air du radiateur
8. Trousse de poids
9. Plaque signalétique pour l'UE
10. Molette de verrouillage pour le réglage de la longueur des poignées de guidon

11. Support d'arrimage arrière
12. Réglage manuel de l'essieu
13. Guide arrière
14. Clé d'arbre de disque
15. Molette de verrouillage pour le réglage de la hauteur des poignées de guidon
16. Flexible de vidange d'huile moteur
17. Bouchon du réservoir de carburant
18. Filtre à huile moteur
19. Bouchon du réservoir d'huile moteur
20. Jauge d'huile moteur
21. Manuel d'utilisation

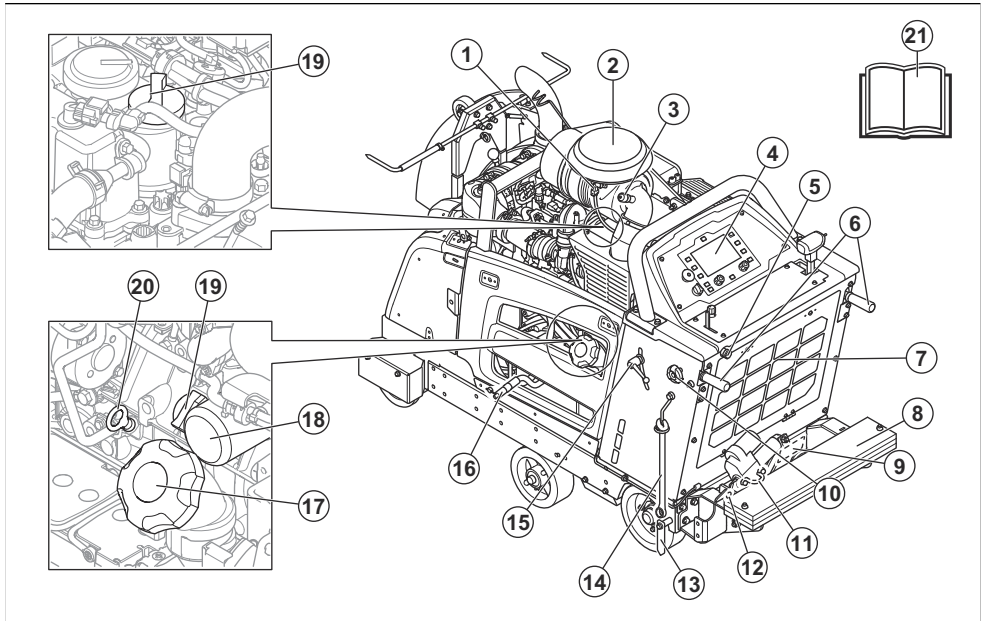
## Présentation du produit, côté droit (FS7000 D)



**Remarque :** Le produit peut comporter des configurations différentes. Ainsi, l'apparence du produit peut être différente de la présentation du produit.

1. Couvercle de remplissage de liquide de refroidissement du radiateur
2. Anneau de levage
3. Silencieux
4. Levier de changement de vitesse, modèle à boîte de vitesses à 3 rapports
5. Boulons de tension de la courroie, derrière le couvercle de protection
6. Valve de vidange d'eau de la boîte de vitesses, derrière le couvercle de protection
7. Support d'arrimage avant
8. Guide réglable
9. Boîte à relais et à fusibles
10. Plaque signalétique pour les États-Unis et le Canada
11. Fusible de bougie de préchauffage
12. Relais de bougie de préchauffage
13. Filtre du circuit hydraulique
14. Pompe de la transmission hydrostatique
15. Soupape de dérivation de la transmission
16. Réservoir hydraulique
17. Ouverture du réservoir hydraulique
18. Pompe de levage hydraulique

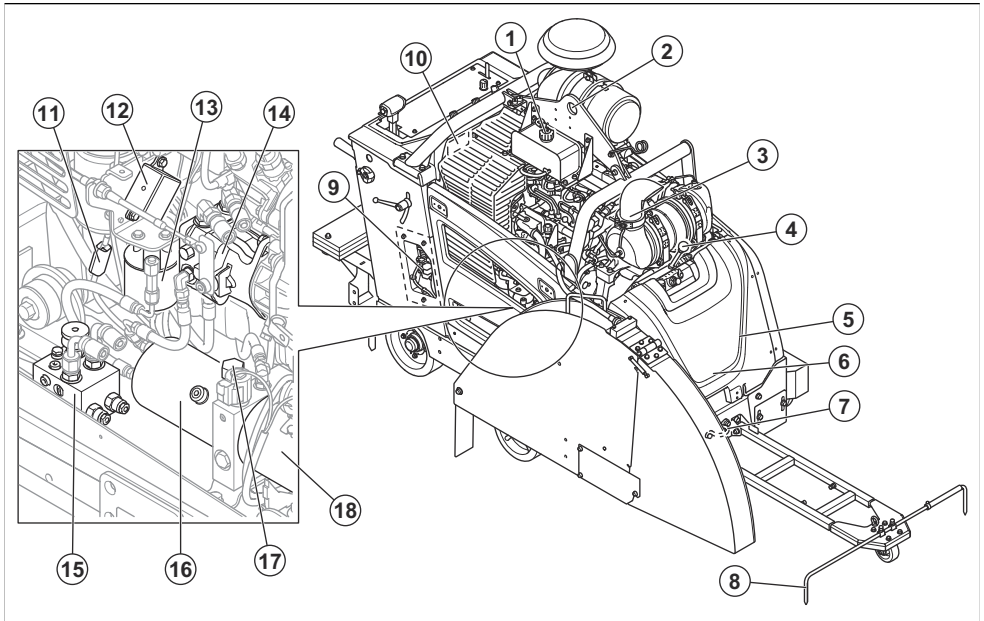
## Présentation du produit, côté gauche (FS7000 DL)



**Remarque :** Le produit peut comporter des configurations différentes. Ainsi, l'apparence du produit peut être différente de la présentation du produit.

- |  |   |
|--|---|
| <ol style="list-style-type: none"><li>1. Capteur de température ambiante</li><li>2. Filtre à air</li><li>3. Indicateur du filtre à air</li><li>4. Panneau de commande et écran</li><li>5. Entrée d'eau</li><li>6. Poignées de guidon</li><li>7. Filtre à air du radiateur</li><li>8. Trousse de poids</li><li>9. Plaque signalétique pour l'UE</li><li>10. Molette de verrouillage pour le réglage de la longueur des poignées de guidon</li></ol> | <ol style="list-style-type: none"><li>11. Support d'arrimage arrière</li><li>12. Réglage manuel de l'essieu</li><li>13. Guide arrière</li><li>14. Clé d'arbre de disque</li><li>15. Molette de verrouillage pour le réglage de la hauteur des poignées de guidon</li><li>16. Flexible de vidange d'huile moteur</li><li>17. Bouchon du réservoir de carburant</li><li>18. Filtre à huile moteur</li><li>19. Bouchon du réservoir d'huile moteur</li><li>20. Jauge d'huile moteur</li><li>21. Manuel d'utilisation</li></ol> |
|--|---|

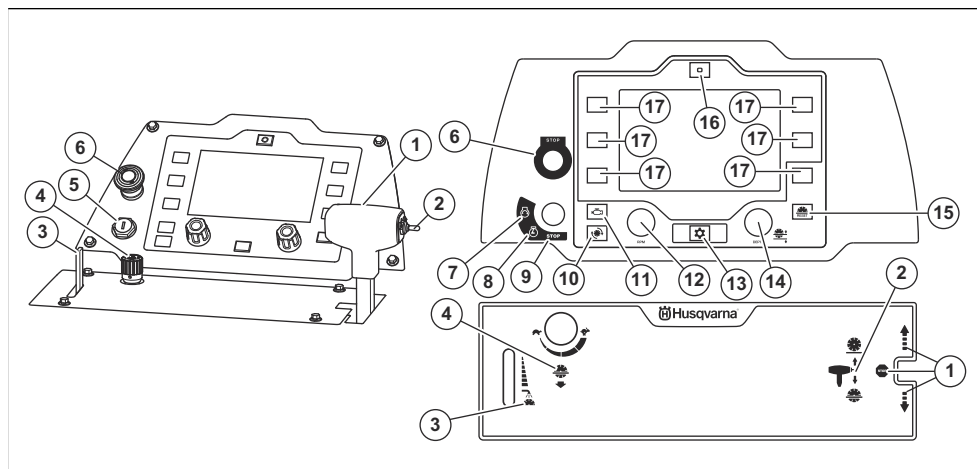
## Présentation du produit, côté droit (FS7000 DL)



**Remarque :** Le produit peut comporter des configurations différentes. Ainsi, l'apparence du produit peut être différente de la présentation du produit.

1. Couvercle de remplissage de liquide de refroidissement du radiateur
2. Anneau de levage
3. Silencieux
4. Levier de changement de vitesse, modèle à boîte de vitesses à 3 rapports
5. Boulons de tension de la courroie, derrière le couvercle de protection
6. Valve de vidange d'eau de la boîte de vitesses, derrière le couvercle de protection
7. Support d'arrimage avant
8. Guide réglable
9. Boîte à relais et à fusibles
10. Plaque signalétique pour les États-Unis et le Canada
11. Fusible de bougie de préchauffage
12. Relais de bougie de préchauffage
13. Filtre du circuit hydraulique
14. Pompe de la transmission hydrostatique
15. Soupape de dérivation de la transmission
16. Réservoir hydraulique
17. Ouverture du réservoir hydraulique
18. Pompe de levage hydraulique

## Vue d'ensemble des commandes et du panneau de commande



1. Levier de commande de vitesse. Marche avant, marche arrière et arrêt de la transmission\*
2. Commutateur de réglage de la profondeur de coupe\*
3. Levier du circuit de refroidissement par eau du disque de coupe\*
4. Molette de réglage de la vitesse d'abaissement du disque\*
5. Commutateur de démarrage du moteur
6. Bouton d'arrêt de la machine\*
7. Position de démarrage du moteur\*
8. Position de contact mis\*
9. Position d'arrêt du moteur\*
10. Bouton pour afficher la vitesse du disque en tr/min sur l'écran\*
11. Bouton pour afficher le régime moteur en tr/min sur l'écran\*
12. Molette de commande d'accélération
13. Bouton de menu\*
14. Molette de réglage de la butée de profondeur du disque\*
15. Bouton de réinitialisation de la butée de profondeur du disque\*
16. Bouton de réinitialisation du système de suivi électronique\* (en option)
17. Bouton de sélection

\* = Se reporter également à *Symboles figurant sur l'outil* à la page 115.

### Symboles figurant sur l'outil



**AVERTISSEMENT :** Ce produit peut être dangereux et causer des blessures très graves, ou même mortelles, à l'utilisateur



Lire soigneusement le manuel d'instructions et veiller à bien comprendre les directives avant d'utiliser cette machine.



Portes des protections pour les oreilles, les yeux et les voies respiratoires. Se reporter à la section *Équipement de protection personnelle* à la page 120.



Tout déplacement de la machine hors de la zone de coupe doit être effectué lorsque l'outil n'est pas en rotation.



Retirer le disque de coupe avant le transport et avant de soulever le produit, afin d'éviter d'endommager celle-ci.



Les protège-lames doivent toujours être montés sur le produit. Ne pas laisser plus de 180° du disque de coupe visible.



S'assurer que le disque de coupe n'est pas émoussé ou qu'il ne présente pas de dommages, tels que des fissures.



S'assurer que le disque de coupe peut être utilisé à la même vitesse ou à une vitesse supérieure à la valeur indiquée

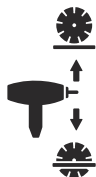
sur la plaque signalétique du produit.  
Un disque de coupe qui est utilisé à une vitesse trop élevée peut se briser et provoquer des blessures ou des dommages.



Toujours utiliser l'anneau de levage pour lever le produit.



Arrêt de la transmission.



Commutateur de réglage de la profondeur de coupe.



Levier du circuit de refroidissement par eau.



Molette de réglage de la vitesse d'abaissement du disque.



Lent.



Rapide.



Arrêt de la machine.



Démarrage du moteur.



Contact mis.



Arrêt du moteur.



Ne pas utiliser le produit près de substances inflammables ou de gaz.



La poussière peut causer des problèmes de santé. Utiliser une protection respiratoire adéquate. Ne pas respirer les gaz d'échappement. Ne pas utiliser un produit à moteur à combustion à l'intérieur ou dans des endroits mal aérés.



Surface chaude.



Garder les parties du corps à l'écart du disque de coupe et des autres pièces mobiles.



Risque de coupures. Garder les parties du corps à l'écart du disque de coupe.



Carburant diesel à très faible teneur en soufre uniquement.



Huile moteur.



Jauge d'huile.



Ne pas relever la scie lors de la vérification du niveau d'huile moteur.



S'assurer que la scie est de niveau sans le disque de coupe lors de la vérification du niveau d'huile moteur.



La flèche sur le protège-lame indique le sens de rotation du disque de coupe.





Afficher la vitesse du disque en tr/min sur l'écran.



Afficher le régime moteur en tr/min sur l'écran.



Bouton de menu.



Molette de réglage de la butée de profondeur du disque.



Bouton de réinitialisation de la butée de profondeur du disque.



Bouton de réinitialisation du réglage du système de suivi électronique (en option).



Ce produit est conforme aux directives CE en vigueur.



Les émissions sonores dans l'environnement sont conformes aux directives CE en vigueur. Les émissions sonores produites par l'outil sont indiquées dans le chapitre *Équipement de protection personnelle à la page 120* et sur la plaque signalétique.

**Remarque :** Les autres symboles et autocollants apposés sur le produit se rapportent aux exigences en matière de certification pour certains marchés.

## Symboles sur l'écran du panneau de commande



Réglage du système de suivi électronique, gauche (en option).



Réglage du système de suivi électronique, droite (en option).



Marche/arrêt du système de sécurité du circuit hydraulique. Le système de sécurité du circuit hydraulique surveille la pression de l'eau dans le circuit de

refroidissement par eau du disque de coupe. Si la pression de l'eau diminue, le système de sécurité du circuit hydraulique arrête le disque de coupe.



Engager/désengager l'embrayage du disque. Cette fonction n'est pas disponible de série sur toutes les variantes du produit.



Butée de profondeur de coupe du disque.

## Symboles d'avertissement sur l'écran du panneau de commande



Arrêt de la machine activé. Réinitialiser le bouton d'arrêt de la machine et couper puis rétablir le contact.



La batterie ne se recharge pas.



Bas niveau de carburant.



Préchauffage. Consulter le manuel du moteur pour obtenir plus de renseignements.



Aucune pression d'eau dans le circuit de refroidissement par eau du disque de coupe.



Basse pression d'huile moteur.



Arrêt du moteur. Le sciage ne peut pas continuer.



Le moteur surchauffe. Le sciage ne peut pas continuer. Consulter le manuel du moteur pour obtenir plus de renseignements.



Problème d'importance moyenne relié au moteur. Le sciage peut continuer.



Défaillance du moteur. Consulter le manuel du moteur pour obtenir plus de renseignements.



Une régénération est nécessaire. Se reporter à la section *Régénération à la page 150*. Applicable uniquement aux produits conformes à la norme d'émission Euro V.



Remplacer le filtre à particules diesel (DPF). Se reporter à *Remplacer le filtre à particules diesel à la page 151*. Applicable uniquement aux produits conformes à la norme d'émission Euro V.



Code d'erreur non lié au moteur.

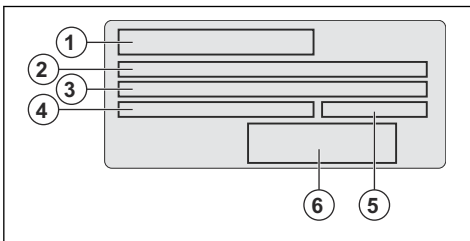


Défaillance du système de contrôle diagnostique de NOx. Applicable uniquement aux produits conformes à la norme d'émission Euro V.



Eau dans le carburant.

## Plaque signalétique pour les États-Unis et le Canada



1. Marque
2. Numéro du produit
3. Modèle
4. Numéro de série
5. Date, année, semaine de production
6. Fabricant, adresse, numéro de téléphone

## Produit endommagé

Nous ne sommes pas responsables des dommages causés à notre produit si :

- Le produit n'est pas réparé de façon adéquate.
- Le produit est réparé avec des pièces qui ne sont pas fournies ou homologuées par le fabricant.
- Le produit comprend un accessoire qui n'est pas fourni ou homologué par le fabricant.
- Le produit n'est pas réparé par un centre de service après-vente agréé ou par une autorité homologuée.

## CALIFORNIA AIR RESOURCES BOARD (CARB)

**Remarque :** Cette machine est considérée comme une application hors route exemptée des normes CARB. L'EPA des États-Unis est la seule habilitée à instaurer des normes antipollution visant l'équipement de construction exempté.

## Émissions conformes à la norme Tier 4 Final de l'EPA

Le produit est conforme à la norme Tier 4 Final sur les émissions d'échappement.

## Sécurité

### Définitions relatives à la sécurité

Les avertissements, recommandations et remarques soulignent des points du manuel qui revêtent une importance particulière.



**AVERTISSEMENT :** Indique la présence d'un risque de blessure ou de décès de l'utilisateur ou de personnes à proximité si les instructions du manuel ne sont pas suivies.



**MISE EN GARDE :** Indique la présence d'un risque de dommages au produit, à d'autres appareils ou à la zone adjacente si les instructions du manuel ne sont pas suivies.

**Remarque :** Utilisé pour donner des renseignements plus détaillés qui sont nécessaires dans une situation donnée.

## Consignes générales de sécurité



**AVERTISSEMENT** : Lire les messages d'avertissement qui suivent avant d'utiliser l'outil.

- Ce produit est un outil dangereux s'il est utilisé de façon insouciant ou inappropriée. Cet outil peut causer des blessures graves, ou même mortelles, à l'utilisateur et à d'autres personnes. Il est obligatoire de lire et de comprendre le contenu de ce manuel d'utilisation avant d'utiliser l'outil.
  - Conserver tous les avertissements et toutes les instructions.
  - Se conformer à toutes les lois et réglementations en vigueur.
  - L'utilisateur et l'employeur de l'utilisateur doivent connaître et prévenir les risques liés à l'utilisation du produit.
  - Ne pas laisser une personne utiliser le produit à moins qu'elle a lu et compris le contenu de ce manuel d'utilisation.
  - Ne pas faire fonctionner le produit sans avoir reçu une formation relative à son fonctionnement. S'assurer que tous les utilisateurs reçoivent une formation.
  - Seules les personnes autorisées peuvent utiliser le produit.
  - L'utilisateur est responsable des accidents survenus à d'autres personnes ou à leurs biens.
  - Ne pas utiliser le produit en cas de fatigue ou sous l'emprise de l'alcool, de drogues ou de médicaments.
  - Toujours rester prudent et faire preuve de bon sens.
  - Ce produit génère un champ électromagnétique pendant le fonctionnement. Ce champ magnétique peut, dans certains cas, nuire aux implants médicaux actifs ou passifs. Pour réduire le risque de blessures graves ou mortelles, il est recommandé aux personnes ayant des implants médicaux de consulter leur médecin et le fabricant de l'implant médical avant d'utiliser le produit.
  - Toujours garder le produit propre. S'assurer de pouvoir lire clairement les signes et les autocollants.
  - Ne pas utiliser le produit s'il est défectueux.
  - Ne pas modifier ce produit.
  - Ne pas utiliser le produit s'il est possible que d'autres personnes aient apporté des modifications à celui-ci.
- S'assurer que le produit est monté de façon adéquate.
  - Ne pas utiliser le produit sans que le protège-lame courroie et les couvercles de protection soient installés.
  - Une utilisation incorrecte du produit peut entraîner le bris du disque de coupe et provoquer des blessures ou des dommages.
  - S'assurer de savoir comment arrêter rapidement le moteur en cas d'urgence.
  - Utiliser de l'équipement de protection individuelle. *Se reporter à la section **Équipement de protection personnelle** à la page 120.*
  - S'assurer que seules les personnes autorisées se trouvent dans la zone de travail.
  - S'assurer que les câbles électriques dans la zone de travail ne sont pas sous tension.
  - Maintenir la zone de travail propre et bien éclairée.
  - Avant d'utiliser le produit, vérifier qu'il n'y a pas des fils, des câbles et des tuyaux cachés dans la zone de travail. Si le produit heurte un objet caché, arrêter immédiatement le moteur et examiner le produit et l'objet. Ne pas redémarrer le produit avant de s'assurer de pouvoir continuer en toute sécurité.
  - Ne pas utiliser le produit par mauvais temps, y compris dans un brouillard épais, sous une pluie diluvienne, dans des endroits fortement venteux et en cas de froid intense. Travailler par mauvais temps accroît la fatigue et peut entraîner des conditions dangereuses, par exemple des surfaces glissantes.
  - S'assurer d'être dans une position stable et sécuritaire au cours du travail.
  - Ne pas utiliser ce produit dans des zones où un incendie ou des explosions peuvent se produire.
  - Le produit peut projeter des objets à grande vitesse. S'assurer que toutes les personnes se trouvant dans la zone de travail utilisent un équipement de protection individuel approuvé. Retirer les matériaux lâches de la zone de travail.
  - Les gaz d'échappement du moteur contiennent du monoxyde de carbone, un gaz inodore, toxique et très dangereux. Ne pas utiliser un produit à moteur à combustion à l'intérieur ou dans des endroits mal aérés.
  - Avant de s'éloigner du produit, arrêter le moteur et s'assurer qu'il n'y a aucun risque de démarrage accidentel.
  - Le produit n'est pas équipé d'un frein de stationnement. Ne pas s'éloigner de l'outil lorsqu'il est dans une pente. S'il est nécessaire de stationner l'outil dans une pente, s'assurer que celui-ci est suffisamment attaché et ne peut pas bouger.
  - Faire attention pendant le sciage sur un terrain en pente. Le produit est lourd et peut provoquer des blessures graves en cas de chute.
  - S'assurer qu'aucun matériau ne peut se détacher et blesser l'utilisateur.

## Consignes de sécurité pour l'utilisation



**AVERTISSEMENT** : Lire les messages d'avertissement qui suivent avant d'utiliser l'appareil.

- Lire les instructions d'avertissement fournies avec le disque de coupe par le fabricant de celle-ci.

- S'assurer que les vêtements, les cheveux longs et les bijoux ne peuvent pas se coincer dans les pièces en mouvement.
- Ne pas utiliser l'outil s'il n'est pas possible d'obtenir de l'aide en cas d'accident.

- Les symptômes peuvent augmenter par temps froid. Porter des vêtements chauds et garder les mains au chaud et au sec lors de l'utilisation de l'outil dans des environnements froids.
- Procéder à l'entretien et à l'utilisation du produit comme indiqué dans le manuel d'utilisation pour maintenir les vibrations à un niveau acceptable.
- Garder les mains sur la ou les poignées uniquement. Garder toutes les autres parties du corps à l'écart du produit.
- Arrêter immédiatement le produit en cas de fortes vibrations soudaines. Ne pas poursuivre le sciage avant d'avoir éliminé la cause des vibrations accrues.

## Sécurité relative aux gaz d'échappement



**AVERTISSEMENT** : Lire les messages d'avertissement qui suivent avant d'utiliser l'outil.

- Les gaz d'échappement du moteur contiennent du monoxyde de carbone, un gaz inodore, toxique et très dangereux. Respirer du monoxyde de carbone peut entraîner la mort. Le monoxyde de carbone étant inodore et invisible, il n'est pas possible de le détecter. Un symptôme d'intoxication au monoxyde de carbone est l'étourdissement, mais il est possible qu'une personne perde connaissance sans avertissement si la quantité ou la concentration de monoxyde de carbone est suffisante.
- Les gaz d'échappement visibles ou odorants contiennent également du monoxyde de carbone.
- Ne pas utiliser un produit à moteur à combustion à l'intérieur ou dans des endroits mal aérés.

## Sécurité relative au bruit



**AVERTISSEMENT** : Lire les messages d'avertissement qui suivent avant d'utiliser l'outil.

- Des niveaux sonores élevés et une exposition prolongée au bruit peuvent entraîner une perte auditive due au bruit.
- Pour réduire au maximum le niveau sonore, procéder à l'entretien du produit et l'utiliser comme indiqué dans le manuel d'utilisation.
- Examiner le silencieux pour détecter d'éventuels dommages ou défauts. S'assurer que le silencieux est bien fixé sur le produit.
- Toujours porter un dispositif de protection pour les oreilles homologué lors de l'utilisation du produit.
- Rester attentif aux appels ou cris d'avertissement lors de l'utilisation d'un dispositif de protection pour les oreilles. Retirer le dispositif de protection pour les oreilles lorsque le produit est arrêté, sauf si une protection auditive est nécessaire en raison du niveau sonore dans la zone de travail.

## Sécurité en matière de vibrations



**AVERTISSEMENT** : Lire les messages d'avertissement qui suivent avant d'utiliser l'outil.

- Pendant le fonctionnement du produit, des vibrations sont transmises du produit à l'utilisateur. L'utilisation régulière et fréquente du produit peut provoquer ou augmenter les risques de blessures pour l'utilisateur. Des blessures peuvent se produire au niveau des doigts, des mains, des poignets, des bras, des épaules et/ou des nerfs, ou d'autres parties du corps ou affecter l'apport sanguin. Les blessures peuvent être invalidantes et/ou permanentes et peuvent augmenter progressivement au fil des semaines, des mois ou des années. Les blessures possibles incluent des dommages au système de circulation sanguine, au système nerveux, aux articulations et à d'autres structures corporelles.
- Des symptômes peuvent apparaître pendant l'utilisation du produit ou à d'autres moments. Si l'utilisateur présente des symptômes et continue à utiliser le produit, les symptômes peuvent augmenter ou devenir permanents. Si ces symptômes ou d'autres symptômes apparaissent, consulter un médecin :
  - Engourdissement, perte de sensation, fourmillement, picotement, douleur, brûlure, boursoufflement, raideur, sensation de lourdeur, perte de force, changements de couleur ou d'état de la peau.

## Équipement de protection personnelle



**AVERTISSEMENT** : Lire les messages d'avertissement qui suivent avant d'utiliser l'appareil.

- Toujours utiliser un équipement de protection personnelle homologué lors de l'utilisation de l'outil. Cet équipement de protection personnelle n'élimine pas complètement les risques de blessures, mais il peut en réduire la gravité en cas d'accident. Le revendeur aidera l'utilisateur à sélectionner l'équipement adéquat.
- Vérifier régulièrement l'état de l'équipement de protection personnelle.
- Porter un casque de protection approuvé.
- Porter un dispositif de protection homologué pour les oreilles.
- Utiliser un dispositif de protection respiratoire homologué.

- Porter un dispositif de protection pour les yeux homologué avec écrans latéraux. Il existe un risque élevé de blessures aux yeux dues à la projection d'objets.
- Porter des gants de protection.
- Utiliser des bottes à embout en acier et semelles antidérapantes.
- Porter des vêtements de travail homologués ou des vêtements ajustés équivalents avec des manches longues et des pantalons.

### Extincteur

- Garder un extincteur à proximité pendant le sciage.
- Utiliser un extincteur à poudre de classe « ABE » ou un extincteur au dioxyde de carbone de type « BE ».

### Dispositifs de sécurité sur l'outil

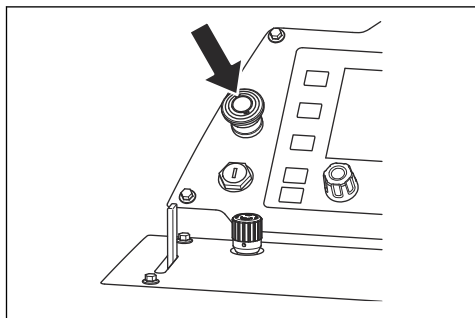


**AVERTISSEMENT** : Lire les messages d'avertissement qui suivent avant d'utiliser l'outil.

- Ne pas utiliser un outil dont les dispositifs de protection sont défectueux.
- Vérifier régulièrement les dispositifs de sécurité. Si les dispositifs de sécurité sont défectueux, parler à votre agent d'entretien Husqvarna.

### Bouton d'arrêt de la machine

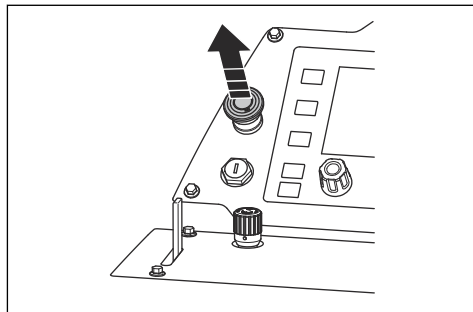
Le bouton d'arrêt de la machine arrête rapidement le moteur et toutes les fonctions électriques, mais pas l'éclairage. Le bouton d'arrêt de la machine permet de mettre le produit en mode de sécurité. Le produit ne peut pas redémarrer tant que le mode de sécurité n'est pas réinitialisé.



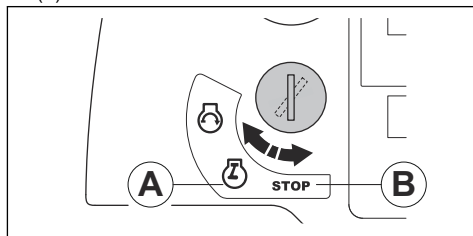
**Remarque** : Ne pas utiliser le bouton d'arrêt de la machine pour arrêter le produit, sauf en cas d'urgence. Pour connaître la procédure à suivre pour arrêter le produit pendant son fonctionnement, se reporter à *Arrêt de l'outil à la page 138*.

### Vérification du bouton d'arrêt de la machine

1. Démarrer le moteur. Se reporter à la section *Démarrage de l'outil à la page 134*.
2. Appuyer sur le bouton d'arrêt de la machine. Le moteur s'arrête et le produit passe en mode de sécurité.
3. Tirer sur le bouton d'arrêt de la machine pour réinitialiser l'arrêt de la machine.



4. Pour réinitialiser le mode de sécurité, tourner le commutateur de démarrage du moteur en position d'arrêt du moteur (B), puis en position de contact mis (A).



### Protège-lame

Le protège-lame est un couvercle de protection pour la partie supérieure du disque de coupe. Il protège l'utilisateur en cas d'éjection de pièces d'un disque de coupe endommagé ou d'autres objets vers l'utilisateur. Le protège-lame empêche les blessures dues au disque de coupe. Le protège-lame fait également partie du circuit de refroidissement par eau qui maintient le disque de coupe frais pendant le sciage.

### Vérification du protège-lame

- S'assurer que le protège-lame est bien installé. Se reporter à la section *Pour installer un protège-lame (FS7000 D, FS7000 DL, 20 à 42 po) à la page 128* ou *Pour installer un protège-lame (FS7000 DL, 48 à 60 po) à la page 128*.
- Examiner le protège-lame pour détecter d'éventuels dommages comme des fissures.
- Toujours remplacer un protège-lame endommagé.
- Remplacer le protège-lame s'il est heurté, déformé ou présente d'autres défauts.

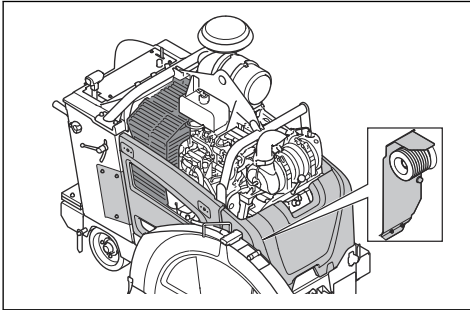
- Examiner le verrou du protège-lame pour détecter d'éventuels dommages.
- S'assurer que le verrou du protège-lame est correctement engagé.

### Couvercles de protection

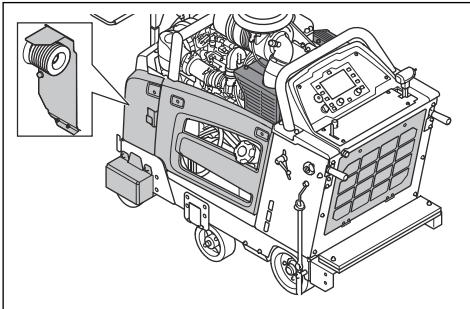
Les couvercles de protection manquants ou endommagés augmentent le risque de blessures sur des pièces en mouvement et des surfaces chaudes.

### Vérification des couvercles de protection

- Vérifier les couvercles de protection avant d'utiliser le produit.
  - a) Côté avant droit :



- b) Côté arrière gauche :



- S'assurer que les couvercles de protection sont correctement fixés et ne présentent pas de fissures ni d'autres dommages.
- Remplacer les couvercles de protection endommagés.

### Silencieux

Le silencieux maintient le niveau de bruit au minimum et dirige les gaz d'échappement loin de l'utilisateur.

Ne pas utiliser l'outil si le silencieux est manquant ou défectueux. Un silencieux défectueux augmente le niveau sonore et le risque d'incendie.



**AVERTISSEMENT :** Le silencieux devient très chaud pendant et après utilisation et lorsque le moteur tourne au ralenti. Faire attention à proximité des matériaux inflammables ou des fumées afin d'éviter tout risque d'incendie.

### Pour vérifier le silencieux

- Examiner régulièrement le silencieux pour s'assurer qu'il est correctement raccordé et en bon état.



**MISE EN GARDE :** Ne pas modifier le silencieux. Le silencieux est de type DOC et contribue à la conformité aux normes sur les émissions.

### Sécurité – carburant



**AVERTISSEMENT :** Lire les messages d'avertissement qui suivent avant d'utiliser le produit.

- L'essence est inflammable et les vapeurs sont explosives. Faire attention avec le carburant afin d'éviter toute blessure, tout incendie et toute explosion.
- Ne pas respirer les vapeurs de carburant. Les vapeurs de carburant sont toxiques et peuvent provoquer des blessures. S'assurer que le débit d'air est suffisant.
- Ne pas enlever le bouchon du réservoir de carburant ou remplir le réservoir de carburant lorsque le moteur est en marche.
- Laisser le moteur refroidir avant de faire l'appoint.
- Ne pas faire le plein de carburant à l'intérieur. Un débit d'air insuffisant peut entraîner des blessures ou la mort en raison d'une asphyxie ou du monoxyde de carbone.
- Ne pas fumer à proximité du carburant ou du moteur.
- Ne pas placer des objets chauds à proximité du carburant ou du moteur.
- Ne pas faire l'appoint de carburant à proximité d'étincelles ou de flammes.
- Avant de faire le plein, ouvrir lentement le couvercle du réservoir de carburant et relâcher la pression avec précaution.
- Le carburant peut provoquer des lésions cutanées. Si du carburant se déverse sur la peau, se nettoyer au savon doux et à l'eau.
- Si du carburant se déverse sur les vêtements, changer immédiatement de vêtement.
- Ne jamais remplir le réservoir de carburant complètement. La chaleur provoque une dilatation du carburant. Laisser un espace dans la partie supérieure du réservoir de carburant.

- Serrer fermement le couvercle du réservoir de carburant. Si le couvercle du réservoir de carburant n'est pas bien serré, il y a un risque d'incendie.
- Avant de démarrer l'outil, le déplacer à au moins 3 m (10 pi) de l'endroit où le plein de carburant a eu lieu.
- Ne pas démarrer l'outil s'il y a du carburant ou de l'huile moteur sur l'outil. Éponger le carburant et l'huile moteur indésirables et laisser l'outil sécher avant de démarrer le moteur.
- Vérifier régulièrement le moteur à la recherche de fuites. S'il y a des fuites dans le système de carburant, ne pas démarrer le moteur jusqu'à ce que les fuites soient réparées.
- Ne pas utiliser les doigts pour rechercher d'éventuelles fuites au niveau du moteur.
- N'entreposer le carburant que dans des contenants homologués.
- Lorsque l'outil et le carburant sont entreposés, s'assurer que le carburant et les vapeurs de carburant ne peuvent pas provoquer de dommages.
- Vider le carburant dans un contenant homologué à l'extérieur et loin d'étincelles ou de flammes.

### Sécurité en matière de batteries



**AVERTISSEMENT** : Une batterie endommagée peut engendrer une explosion et des blessures. Si la batterie est détériorée ou endommagée, communiquer avec un agent d'entretien Husqvarna agréé.



**AVERTISSEMENT** : Lire les messages d'avertissement qui suivent avant d'utiliser le produit.

- Utiliser des lunettes de protection en cas de présence à proximité des batteries.
- Ne pas porter des montres, des bijoux ou d'autres objets métalliques à côté de la batterie.
- Entreposer la batterie hors de portée des enfants.
- Charger la batterie dans un endroit avec une bonne ventilation.
- Conserver les matériaux inflammables à une distance minimale d'un mètre lors du chargement de la batterie.
- Mettre au rebut les batteries remplacées. Voir *Mise au rebut à la page 155*.

- Les gaz explosifs peuvent provenir de la batterie. Ne pas fumer à proximité de la batterie. Maintenir la batterie à l'écart de flammes nues et d'étincelles.

### Consignes de sécurité pour la maintenance



**AVERTISSEMENT** : Lire les messages d'avertissement qui suivent avant d'utiliser l'outil.

- Utiliser de l'équipement de protection individuelle. Se reporter à la section *Équipement de protection personnelle à la page 120*.
- Si la maintenance n'est pas effectuée correctement et régulièrement, le risque de blessures et de dommages sur l'outil augmente.
- Arrêter le moteur et laisser le produit refroidir avant de procéder à l'entretien.
- Nettoyer le produit pour éliminer les matières dangereuses avant d'effectuer la maintenance.
- Débrancher la bougie d'allumage avant de procéder à l'entretien.
- Les gaz d'échappement du moteur sont chauds et peuvent contenir des étincelles. Ne pas utiliser l'outil dans un local clos ou à proximité de matériaux inflammables.
- Ne pas modifier l'outil. Toute modification non approuvée par le fabricant peut entraîner des blessures graves, voire mortelles.
- Toujours utiliser des accessoires et des pièces de rechange d'origine. Les accessoires et les pièces de rechange qui ne sont pas approuvés par le fabricant peuvent causer des blessures graves, voire mortelles.
- Remplacer les pièces endommagées, usées ou brisées.
- N'effectuer que les travaux d'entretien indiqués dans ce manuel d'utilisation. Confier toutes les autres opérations d'entretien à un centre de service agréé.
- Retirer tous les outils du produit avant de démarrer le moteur après la maintenance. Des outils non fixés ou fixés aux pièces tournantes peuvent s'éjecter et provoquer des blessures.
- Demander à un centre de service agréé d'effectuer régulièrement l'entretien de l'outil.

## Fonctionnement

### Introduction



**AVERTISSEMENT** : Lire et comprendre le chapitre sur la sécurité avant d'utiliser le produit.

### Avant d'utiliser le produit

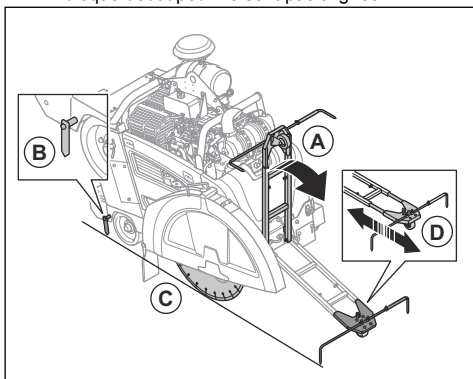
- Lire attentivement ce manuel d'utilisation et veiller à bien comprendre les directives.
- Lire attentivement le manuel d'utilisation pour le panneau de commande et veiller à bien comprendre les directives.

- Lire le manuel du moteur fourni par le fabricant du moteur.
- Lire les instructions fournies avec le disque de coupe par le fabricant du disque.
- Avant de démarrer le produit pour la première fois, procéder comme suit :

- a) Installer une batterie neuve et brancher les câbles de batterie. Se reporter à la section *Branchement et débranchement de la batterie à la page 149.*

**Remarque :** Pour certains marchés, la batterie est installée lors de l'achat du produit.

- b) Choisir la langue de préférence et effectuer les autres réglages nécessaires sur le panneau de commande. Consulter le manuel d'utilisation du panneau de commande.
- Avant chaque utilisation du produit, procéder comme suit :
    - a) Effectuer l'entretien quotidien. Se reporter à la section *Calendrier d'entretien à la page 138.*
    - b) Tracer des lignes de repère pour toutes les coupes. Préparer soigneusement la séquence d'opération pour éviter toute blessure et tout dommage.
    - c) Régler les poignées dans une position adéquate pour l'utilisation de l'outil. Se reporter à la section *Réglage de la position des poignées de manœuvre à la page 125.*
    - d) Abaisser le guide réglable (A) et s'assurer qu'il est aligné avec le guide arrière (B), le disque découpeur et la ligne de repère sur la surface (C). Se reporter à la section *Vérification des guides à la page 124* si les guides et le disque découpeur ne sont pas alignés.



- e) Si nécessaire, régler la longueur du guide réglable à l'aide des vis situées sur le guide réglable (D).

## Vérification des guides

1. Placer une longue barre métallique droite ou l'équivalent à plat contre le disque de coupe.

**Remarque :** Au lieu d'une barre métallique droite, on peut utiliser le cordon pour le guide réglable. Attacher le cordon au guide arrière et le maintenir sur le côté du produit, contre le disque de coupe.

2. S'assurer que le guide arrière, le disque de coupe et le guide réglable sont alignés.

- a) Régler le guide réglable à l'aide des vis.
- b) Pour régler le guide arrière, taper dessus avec un maillet.

## Disques de coupe



**AVERTISSEMENT :** Ne pas utiliser un disque de coupe pour d'autres matériaux que ceux pour lesquels il est conçu.



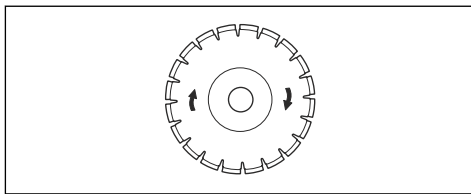
**AVERTISSEMENT :** Utiliser uniquement des disques diamantés pour la coupe humide. Le disque diamanté doit pouvoir être utilisé à la même vitesse ou à une vitesse supérieure à la valeur indiquée sur la plaque signalétique du produit. Utiliser seulement des disques diamantés qui sont conformes aux normes nationales ou régionales telles que, par exemple, les normes EN13236 ou ANSI B7.1.

Le fabricant des disques de coupe publie des avertissements et des recommandations pour l'utilisation et l'entretien adéquat de ceux-ci. Ces avertissements sont fournis avec le disque de coupe.

## Disques diamantés



**AVERTISSEMENT :** S'assurer que le disque diamanté tourne dans le sens des flèches indiquées sur le disque.



**MISE EN GARDE :** Toujours utiliser un disque diamanté affûté.

Il existe une vaste gamme de disques diamantés pour différentes opérations. Du béton neuf au béton et à l'asphalte qui ont durci et pour différentes classes de dureté.



Les disques diamantés présentent un noyau en acier avec des segments faits de diamants industriels.

### Circuit de refroidissement par eau

Toujours utiliser de l'eau pendant le sciage pour maintenir la température des disques diamantés basse. Le circuit de refroidissement par eau augmente également la durée de vie des disques diamantés et empêche l'accumulation de poussière.

Vérifier que l'alimentation en eau n'est pas bouchée.

### Affûtage des disques diamantés

Les disques diamantés peuvent s'émauser à la longue en cas d'utilisation d'une pression d'alimentation incorrecte ou lors de la coupe de matériaux tels que le béton armé dur. Un disque diamanté émoussé deviendra trop chaud et les segments diamantés pourraient se détacher.

- Réduire la profondeur de coupe et le régime moteur pendant un court moment pour affûter les diamants sur le disque diamanté.

### Disques diamantés pour la coupe humide



**MISE EN GARDE :** Toujours utiliser un flasque de disque de dimension prescrite pour le disque utilisé. Ne pas utiliser de flasques de disque endommagés.

Pendant le sciage, la friction fait en sorte que le disque diamanté devient très chaud. Si le disque diamanté devient trop chaud, sa tension diminue ou son noyau se fissurera.

Laisser le disque diamanté refroidir avant de le toucher.

- Les disques diamantés pour la coupe humide doivent être utilisés avec de l'eau pour maintenir le noyau et les segments du disque à température pendant la coupe. Les disques diamantés pour la coupe humide ne peuvent pas être utilisés à sec.
- En cas d'utilisation de disques diamantés pour coupe humide sans eau, le disque diamanté peut devenir trop chaud. Cela donne un mauvais rendement, endommage la lame et constitue un risque pour la sécurité.

### Faire le plein



**MISE EN GARDE :** Toujours utiliser un carburant du type approprié. Un type de carburant inapproprié endommage le produit.

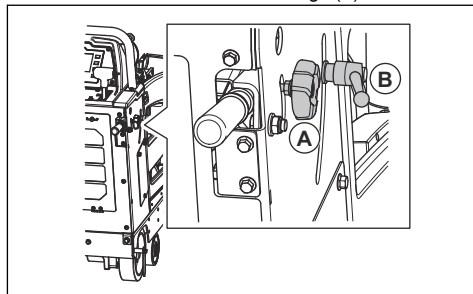


**MISE EN GARDE :** Ne pas utiliser de biodiesel. Le biodiesel endommage les flexibles de carburant.

- Utiliser du carburant diesel du type approprié. Se reporter à la section *Données techniques à la page 156*. Pour obtenir plus de renseignements sur le carburant, se reporter au manuel du moteur fourni par le fabricant du moteur.

### Réglage de la position des poignées de manœuvre

1. Pour régler la longueur des poignées de manœuvre, desserrer la molette de verrouillage (A).



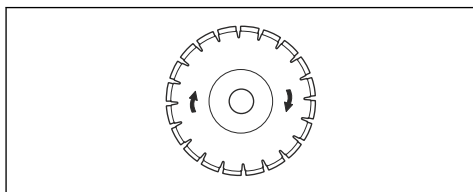
2. Régler les poignées de manœuvre à la longueur de fonctionnement appropriée.
3. Serrer la molette de verrouillage (A).
4. Pour régler la hauteur des poignées de manœuvre, tourner la molette de verrouillage (B) dans le sens inverse des aiguilles d'une montre.
5. Régler les poignées de manœuvre à la hauteur de fonctionnement appropriée.
6. Tourner la molette de verrouillage (B) dans le sens des aiguilles d'une montre pour verrouiller les poignées de manœuvre en position.

### Installation d'un disque de découpe

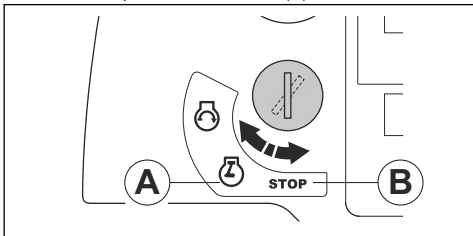
Lisez la section *Configuration du produit pour différentes dimensions de lame à la page 129* avant d'installer un disque de découpe.



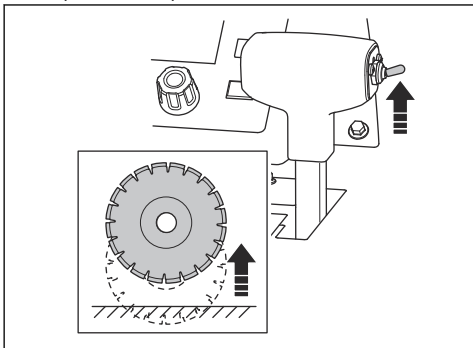
**MISE EN GARDE :** il existe un risque d'endommagement du disque de découpe si celui-ci est installé dans le sens inverse de la rotation. Assurez-vous que le disque de découpe tourne dans le sens indiqué par les flèches sur le disque de découpe.



1. Positionnez le commutateur de démarrage du moteur en position de contact (A).

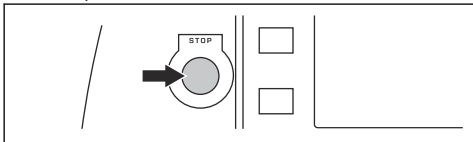


2. Poussez le commutateur de réglage de la profondeur de coupe vers le haut pour soulever le disque de découpe.

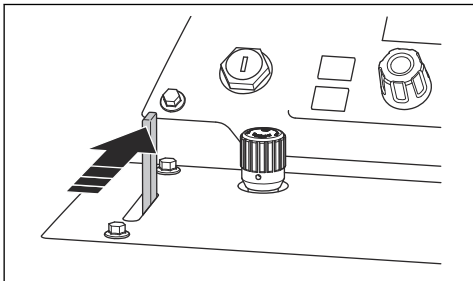


3. Placez le commutateur de démarrage du moteur en position d'arrêt (B).

4. Appuyez sur le bouton d'arrêt de la machine situé sur le panneau de commande.

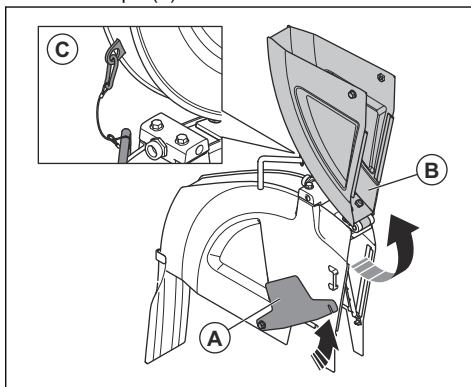


5. Fermez le robinet d'eau.



6. Ouvrez le carter de disque :

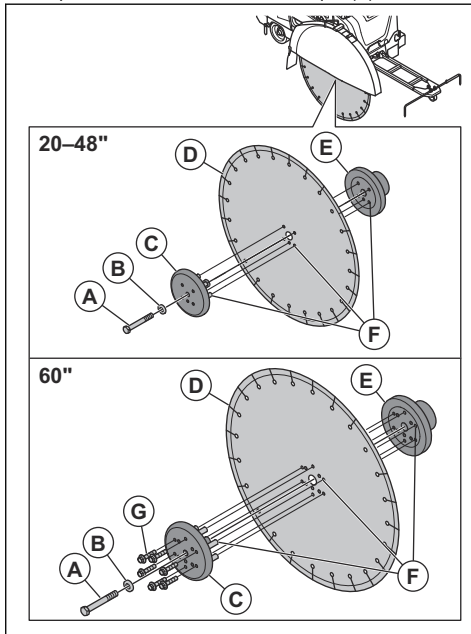
- a) Desserrez le ou les boulons du carter de disque et soulevez le dispositif de verrouillage du carter de disque (A).



**Remarque :** Les carters de disque de dimension 20-42 po sont dotés de 1 boulon. Les carters de disque de dimension 48-60 po sont dotés de 2 boulons.

- b) Soulevez la partie avant du carter de disque (B) et verrouillez-la en position verticale à l'aide du câble et du mousqueton (C).

7. Déposez le boulon de l'axe de disque (A).



**Remarque :** Le boulon de l'axe de disque situé à droite du produit présente un filetage à gauche. Le

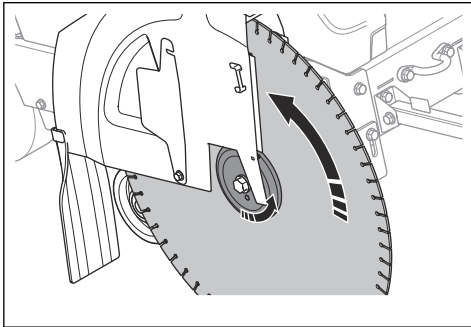
boulon de l'axe de disque situé à gauche du produit présente un filetage à droite.

8. Déposez la bride extérieure du disque (C) et la rondelle plate (B).



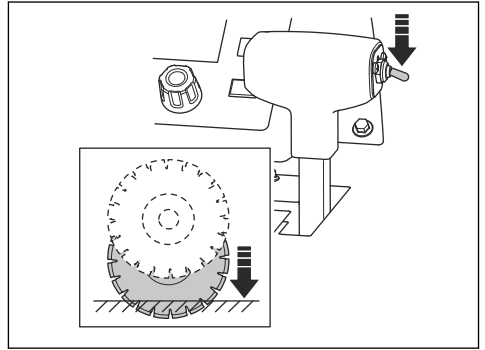
**AVERTISSEMENT :** la présence de pièces endommagées ou sales peut empêcher l'installation correcte du disque de découpe. Vérifiez que le boulon de l'axe de disque, les brides de disque, la rondelle plate et le mandrin de bride de disque ne sont pas endommagés. Remplacez les pièces usées ou endommagées. Nettoyez les surfaces de contact du disque de découpe et des brides.

9. Installez le disque de découpe (D) sur le mandrin de bride extérieure.
10. Installez le disque de découpe et la bride extérieure dans la bride intérieure (E). Assurez-vous que les goupilles de blocage (F) passent à travers le disque et dans la bride intérieure.
11. Installez la rondelle plate et le boulon d'axe de disque.
12. Pour éliminer le jeu, tournez la bride extérieure et le disque de découpe dans le sens de rotation opposé à celui du disque de découpe.



13. Tenez fermement le disque de découpe pendant que vous serrez le boulon d'axe de disque à l'aide de la clé d'axe de disque.
14. FS7000 DL : Pour un disque de découpe de 1 500 mm/60 po, serrez les 6 boulons (G) qui maintiennent la bride de disque extérieure.

15. Appuyez sur le commutateur de réglage de la profondeur de coupe pour abaisser le disque de découpe jusqu'à ce qu'il touche la surface.



**MISE EN GARDE :** n'abaissez pas le disque de découpe trop rapidement. Si le disque de découpe frappe la surface avec force, il peut être endommagé. Diminuez la vitesse à l'aide du bouton de réglage de la vitesse d'abaissement du disque.

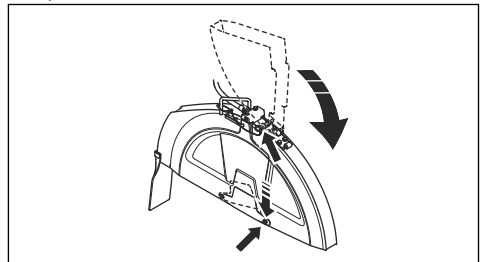


**MISE EN GARDE :** Ne laissez pas le poids avant du produit reposer sur le disque de découpe. Cela endommage le disque de découpe.

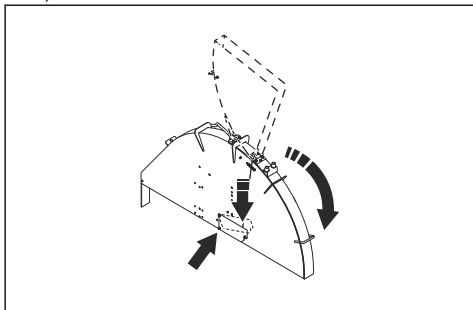
16. Serrez le boulon de l'axe de disque à l'aide de la clé 15/16 po fournie. Serrer le boulon de l'axe du disque à au moins 236,6 Nm/159 lb-pi (filetages secs), 267,9 Nm/180 lb-pi (filetages humides) ou 315,5 Nm/212 lb-pi (filetages avec dégrissant).

**Remarque :** La résistance entre le disque de découpe et le sol maintient le disque de découpe en place.

17. Abaissez le carter de disque avant et placez le loquet du carter de disque sur le boulon avant du carter de disque. Serrez le boulon avant du carter de disque.
- a) FS7000 D :



b) FS7000 DL :



**MISE EN GARDE :** Ne faites pas fonctionner le produit sans que le loquet du carter de disque soit engagé et sans que le boulon avant du carter de disque soit installé. N'utilisez pas le produit si les pièces sont endommagées.

18. Démarrez le produit et prêtez l'oreille pour repérer d'éventuels bruits anormaux. Si vous entendez des bruits anormaux, retirez le disque de découpe.
  - a) Examinez le disque de découpe pour repérer d'éventuels dommages.
  - b) Installez à nouveau le disque de découpe. Remplacez le disque de découpe s'il est endommagé.

## Dépose du disque de coupe

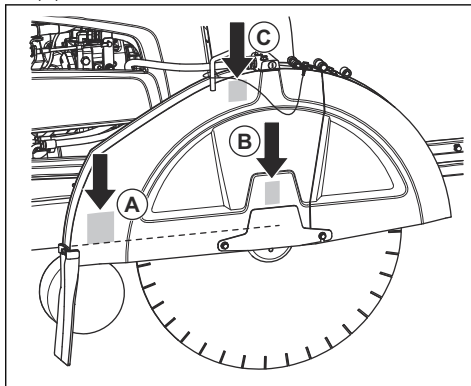


**AVERTISSEMENT :** Lors de la dépose de disques diamantés, laissez le produit refroidir et utiliser des gants de protection. Les disques diamantés sont très chauds après utilisation.

- Déposer le disque de coupe dans l'ordre inverse de son installation. Se reporter à la section *Installation d'un disque de découpe à la page 125.*

## Pour installer un protège-lame (FS7000 D, FS7000 DL, 20 à 42 po)

1. Abaisser le protège-lame sur les supports (A), (B) et (C).



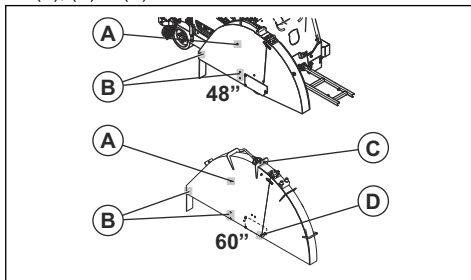
2. Pousser le protège-lame vers le bas jusqu'à ce que le verrou du protège-lame s'engage.
3. Raccordement du flexible d'eau.

Les supports ne sont pas tous utilisés pour toutes les dimensions de protège-lame.

- Les protège-lames de 14, 20 et 26 pouces sont abaissés sur le support (B) uniquement.
- Le protège-lame de 30 pouces est abaissé sur les supports (B) et (C).
- Le protège-lame de 36 po ou de 42 po est abaissé sur tous les supports (A), (B) et (C).

## Pour installer un protège-lame (FS7000 DL, 48 à 60 po)

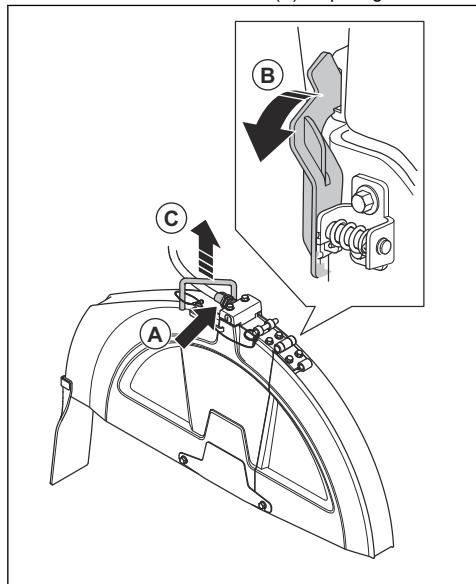
1. Abaisser le protège-lame sur les vis de support (A), (B), (C) et (D).



2. Pousser le protège-lame vers le bas jusqu'à ce que le verrou du protège-lame s'engage.
3. Raccordement du flexible d'eau.

## Pour retirer le protège-lame (FS7000 D, FS7000 DL, 20 à 42 po)

1. Débrancher le flexible d'eau (A) du protège-lame.



2. Utiliser la clé d'arbre de disque pour tourner le verrou du protège-lame vers l'avant jusqu'à ce qu'il s'arrête et se désengage.
3. Lever le protège-lame au niveau de la poignée (C).

## Pour retirer le protège-lame (FS7000 DL, 48 à 60 po)

1. Débrancher le tuyau d'eau du protège-lame.
2. Enlever le boulon qui retient le protège-lame.
3. Retirer le protège-lame.

## Configuration du produit pour différentes dimensions de lame

Un produit équipé d'une boîte de vitesses à 1 rapport utilise un disque de dimensions prescrites et 1 protège-lame prescrit. Un produit équipé d'une boîte de vitesses à 3 rapports utilise une gamme de disques de dimensions prescrites et 1 protège-lame prescrit. En cas de remplacement d'un disque de coupe par un disque de dimension différente, il est nécessaire de modifier la configuration du produit.

Pour un produit équipé d'une boîte de vitesses à 1 rapport, remplacer ces pièces par des pièces de la dimension appropriée pour le nouveau disque de coupe :

- Poulies de l'arbre de disque
- Poulies de la boîte de vitesses

- Flasques de l'arbre de disque
- Courroies
- Protège-lame

Pour un produit équipé d'une boîte à 3 rapports, il suffit de changer le pignon si la dimension du nouveau disque de coupe est dans la même plage de dimensions que celle du disque remplacé. Si la plage de dimensions est différente, il est nécessaire de remplacer les pièces de la liste également sur un produit équipé d'une boîte d'engrenage à 3 rapports.

Le revendeur pourra aider à envoyer une commande pour les pièces nécessaires à la configuration.

### Configuration de la boîte de vitesses

- Pour modifier la configuration de la boîte de vitesses sur l'écran du panneau de commande, se reporter au manuel d'utilisation du panneau de commande.

### Configuration d'un modèle à boîte à 1 rapport

Cinq configurations sont possibles pour un produit à boîte à 1 rapport :

FS7000 D, mm / po	FS7000 DL, mm / po
500/20	500/20
650/26	650/26
750/30	750/30
900/36	900/36
1000/42	1000/42
–	1200/48
–	1500/60

Se reporter au manuel d'utilisation du panneau de commande pour obtenir de plus amples renseignements.

### Configuration d'un modèle à boîte à 3 rapports

Trois configurations sont possibles pour un produit à boîte à 4 rapports :

FS7000 D, mm / po	FS7000 DL, mm / po
350-650/14-26	500-900/20-36
500-750/20-30	650-1000/26-42
500-900/20-36	750-1200/30-48
650-1000/26-42	900-1500/36-60

Se reporter au manuel d'utilisation du panneau de commande pour obtenir de plus amples renseignements.

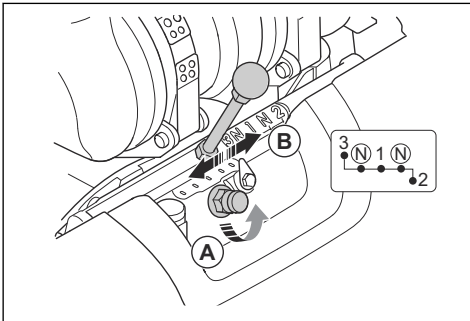
## Pour changer de vitesse sur un modèle à boîte à 3 rapports



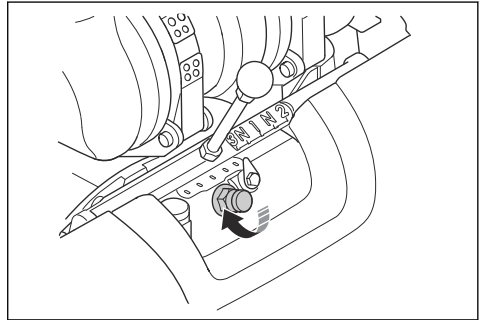
**MISE EN GARDE :** Ne pas changer de vitesse lorsque le moteur est en marche ou avant de vérifier la configuration du produit. La boîte de vitesses risque d'être endommagée.

La boîte de vitesses dispose de 3 positions de vitesse et 2 positions de point mort. Lorsque la boîte de vitesses est au point mort, le disque de coupe ne tourne pas lorsque le moteur est en marche.

1. Placer le commutateur de démarrage du moteur à la position STOP.
2. S'assurer que la dimension des poulies de la boîte de vitesses, des poulies de l'arbre disque et des flasques de l'arbre de disque est correcte pour la dimension du disque de coupe installé.
3. S'assurer que la vitesse de l'arbre de disque est correcte.
4. Tourner la molette (A) de 2 tours dans le sens inverse des aiguilles d'une montre pour desserrer le contre-écrou.

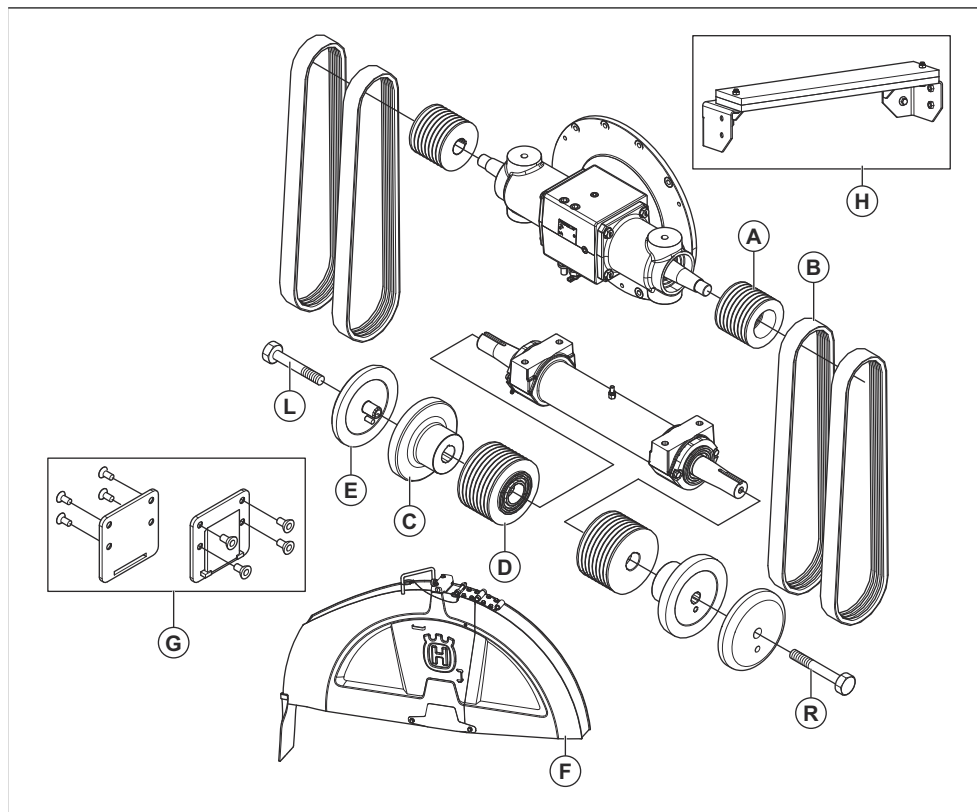


5. Desserrer complètement le contre-écrou sans le déposer.
6. Déplacer le levier de changement de vitesse (B) à la vitesse appropriée. S'il n'est pas facile de déplacer le levier de changement de vitesse, tourner quelque peu l'arbre de disque.
7. Serrer la molette dans le sens des aiguilles d'une montre avec les doigts.



8. Serrer le contre-écrou à l'aide de la clé pour arbre de disque fournie. Se reporter à *Présentation du produit, côté gauche (FS7000 D)* à la page 111 ou à *Présentation du produit, côté gauche (FS7000 DL)* à la page 113.

## Modification de la dimension du disque, modèle à boîte à 1 rapport



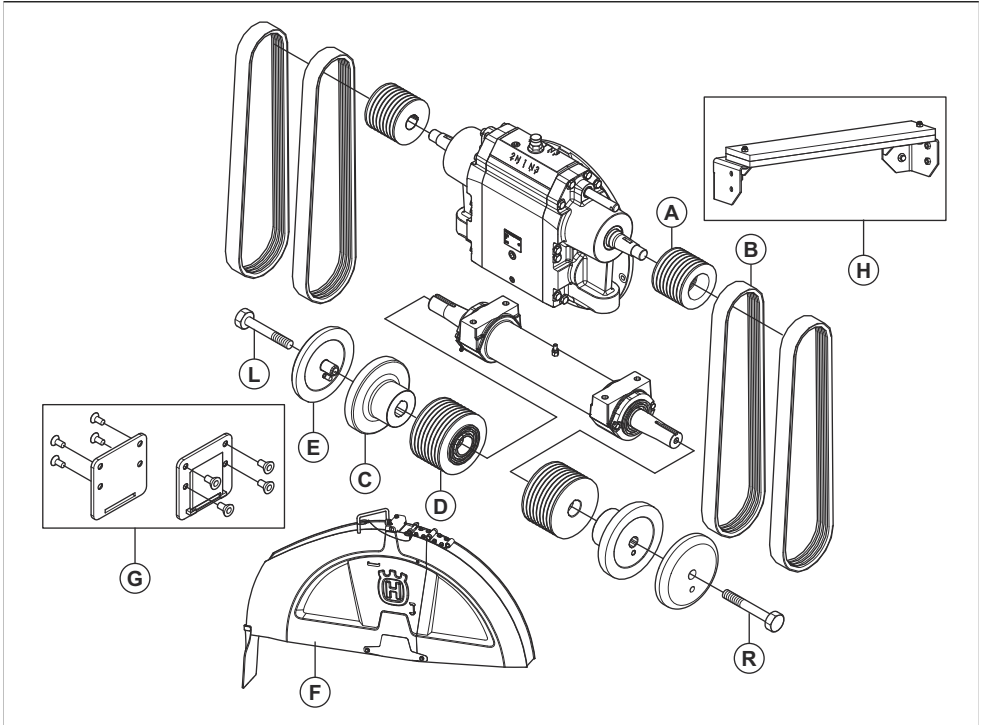
\* = La pièce est incluse dans la configuration initiale du produit. Les pièces qui ne figurent pas dans ce tableau

sont également incluses dans la configuration initiale du produit.

Profondeur, mm/po	A	B	C	D	E	F	G	H
500/20	130/5,12	3VX470	114/4,5	106/4,17	114/4,5	500/20	No n	No n
650/26	97/3,82	3VX450	127/5	106/4,17	127/5	650/26	No n	No n
750/30	97/3,82	3VX450	127/5	115/4,53	127/5	750/30	No n	No n
900/36, FS7000 D	97/3,82	3VX470	152,5/6	138/5,43	152,5/6	900/36	Oui	No n
900/36, FS7000 DL	97/3,82	3VX500	152,5/6	138/5,43	152,5/6	900/36	Oui	No n
1000/42, FS7000 D	97/3,82	3VX485	178/7	162,5/6,4	178/7	1000/42	Oui	Oui
1000/42, FS7000 DL	97/3,82	3VX500	178/7	162,5/6,4	178/7	1000/42	Oui	Oui

<b>1200/48, FS7000 DL</b>	97/3,82	3VX500	203,2/8	184/7,24	203,2/8	1200/48	No n	Oui
<b>1500/60, FS7000 DL</b>	97/3,82	3VX580	254/10	236/9,29	254/10	1500/60	No n	Oui

### Modification de la dimension du disque, modèle à boîte à 3 rapports



\* = La pièce est incluse dans la configuration initiale du produit. Les pièces qui ne figurent pas dans ce tableau

sont également incluses dans la configuration initiale du produit.

Profondeur, mm/po	A	B	C	D	E	F	G	H
<b>350-650/14-26, FS7000 D</b>	130/5,12	3VX570	127/5	106/4,17	127/5	350-650/14-26	No n	No n
<b>500-750/20-30, FS7000 D</b>	109/4,29	3VX550	127/5	106/4,17	127/5	500-750/20-30	No n	No n
<b>500-900/20-36, FS7000 D</b>	109/4,29	3VX560	152,5/6	121,5/4,7 8	152,5/6	500-900/20-36	Oui	No n
<b>500-900/20-36, FS7000 DL</b>	109/4,29	3VX580	152,5/6	121,5/4,7 8	152,5/6	500-900/20-36	Oui	No n
<b>650-1000/26-42, FS7000 D</b>	109/4,29	3VX580	178/7	146/5,75	178/7	650-1000/26-4 2	Oui	Oui



<b>650-1000/26-42, FS7000 DL</b>	109/4,29	3VX600	178/7	146/5,75	178/7	650-1000/26-42	Oui	Oui
<b>750-1200/30-48, FS7000 DL</b>	109/4,29	3VX580	203,2/8	162,5/6,4	203,2/8	750-1200/30-48	No n	Oui
<b>900-1500/36-60, FS7000 DL</b>	130/5,12	3VX670	254/10	236/9,29	254/10	900-1500/36-60	No n	Oui

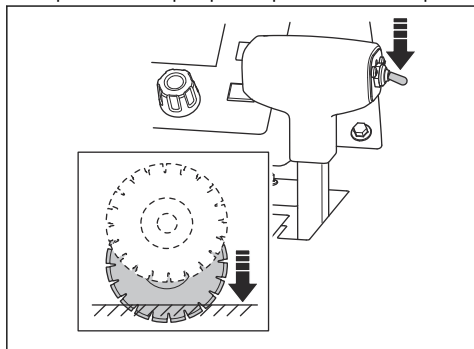
## Butée de profondeur de coupe du disque

Le produit est doté de la fonction de butée de profondeur de coupe du disque qui permet à l'utilisateur de déterminer la profondeur de coupe maximale. La profondeur de coupe maximale est différente selon les dimensions des différents disques :

Profondeur, mm/po	Profondeur de coupe max., mm/po
350/14	118/4,75
500/20	193/7,75
650/26	262/10,5
750/30	312/12,5
900/36	374/15
1000/42	411/17,5
1000/48	498/20
1500/60	623/25

## Réglage de la profondeur de coupe

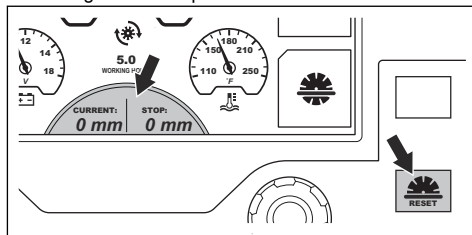
1. Abaisser le commutateur de réglage de la profondeur de coupe pour abaisser le disque de coupe jusqu'à ce qu'il touche la surface. Il s'agit de la position de départ pour la profondeur de coupe.



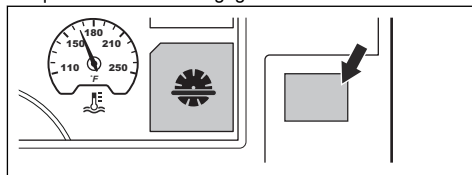
**MISE EN GARDE :** Ne pas abaisser le disque de coupe rapidement. Si le disque de coupe

heurte la surface avec force, il risque d'être endommagé. Diminuer la vitesse à l'aide de la molette de réglage de la vitesse d'abaissement du disque.

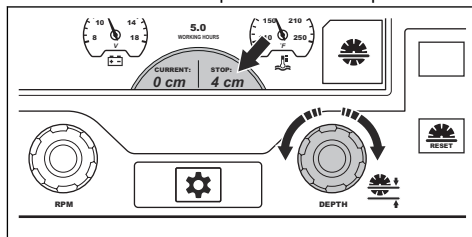
2. Appuyer sur le bouton de réinitialisation de la butée de profondeur de coupe du disque sur le panneau de commande. La valeur de la profondeur de coupe est réglée à 0 mm/po à l'écran.



3. Appuyer sur le bouton situé à côté du symbole de butée de profondeur de coupe du disque. Le symbole à l'écran change de couleur pour indiquer que la fonction est engagée.



4. Tourner la molette de réglage de la butée de profondeur de coupe du disque jusqu'à ce que la profondeur de coupe exacte s'affiche à l'écran. Pendant le sciage, le disque de coupe n'est pas abaissé au-delà de la profondeur de coupe définie.



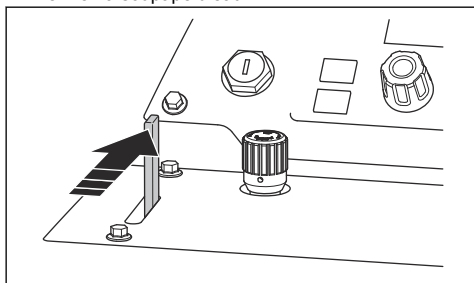
**MISE EN GARDE :** Toujours vérifier que la profondeur de coupe est exacte. La butée de profondeur de coupe du disque aide à obtenir la

profondeur de coupe exacte, mais elle donne uniquement une indication de la valeur de la profondeur.

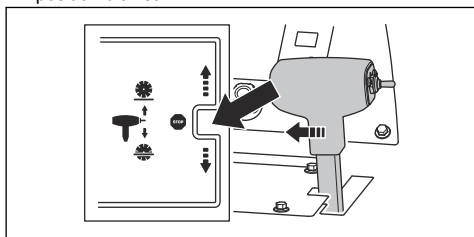
5. S'il est nécessaire d'augmenter la profondeur de coupe, effectuer l'une des procédures suivantes :
  - a) Tourner la molette de réglage de la butée de profondeur de coupe du disque pour régler une nouvelle profondeur de coupe.
  - b) Appuyer sur le bouton situé à côté du symbole de butée de profondeur de coupe du disque pour désengager la fonction. Le symbole à l'écran change de couleur pour indiquer que la fonction est désactivée.

## Démarrage de l'outil

1. Raccorder l'entrée d'eau à l'alimentation en eau.
2. Fermer la soupape d'eau.

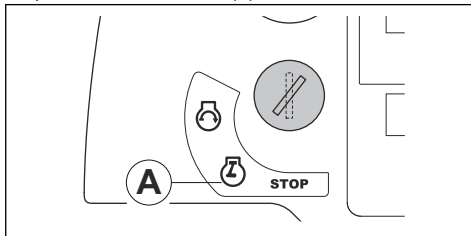


3. Placer le levier de commande de vitesse à la position d'arrêt.

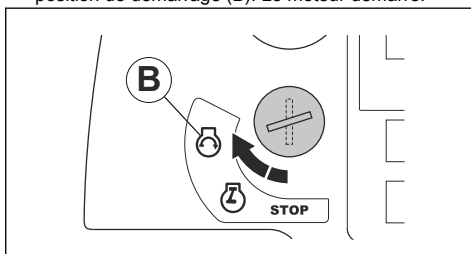


4. S'assurer que la soupape de dérivation de la transmission est fermée. Se reporter à *Présentation du produit, côté droit (FS7000 D)* à la page 112 ou à *Présentation du produit, côté droit (FS7000 DL)* à la page 114 pour connaître la position de la soupape de dérivation de la transmission.

5. Placez le commutateur de démarrage du moteur à la position de contact mis (A).



6. Si le symbole de préchauffage s'affiche à l'écran, attendre qu'il s'éteigne. Se reporter à la section *Symboles d'avertissement sur l'écran du panneau de commande* à la page 117.
7. Placer le commutateur de démarrage du moteur à la position de démarrage (B). Le moteur démarre.



8. Laisser le moteur tourner au ralenti pendant 2 à 3 minutes jusqu'à ce que l'aiguille de l'indicateur de température commence à se déplacer.



**MISE EN GARDE :** Ne pas laisser le moteur tourner au ralenti lorsque le produit n'est pas en marche. Un bas régime de ralenti augmente la quantité de particules dans le moteur et diminue l'intervalle entre les régénérations. Applicable uniquement aux produits conformes à la norme d'émission Euro V.

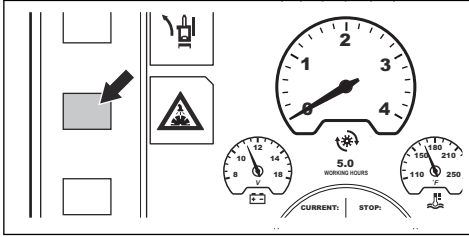


**AVERTISSEMENT :** Pour les produits sans embrayage de disque, le disque de coupe commence à tourner lorsque le moteur démarre et que le rapport n'est pas au point mort. Ne pas déplacer l'outil sur le côté ou hors de la zone de travail si le disque de coupe tourne.

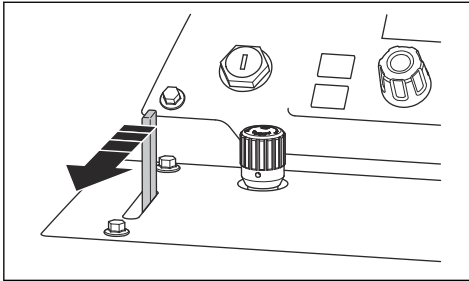
## Pour utiliser le produit

1. Démarrer le moteur.

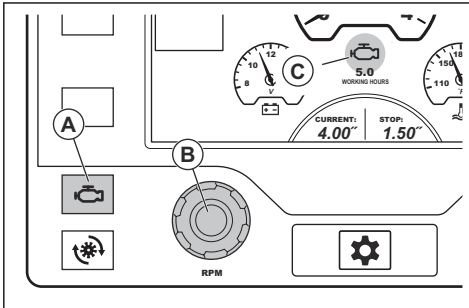
- Appuyer sur le bouton situé à côté du symbole du système de sécurité du circuit hydraulique. Le symbole à l'écran change de couleur pour indiquer que la fonction est engagée.



- Ouvrir la soupape d'eau.

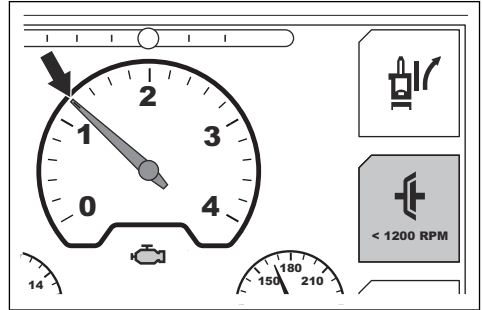


- Appuyer sur le bouton de régime du moteur (A). Le symbole du moteur (C) indique que la molette de réglage du régime (B) règle le régime du moteur.

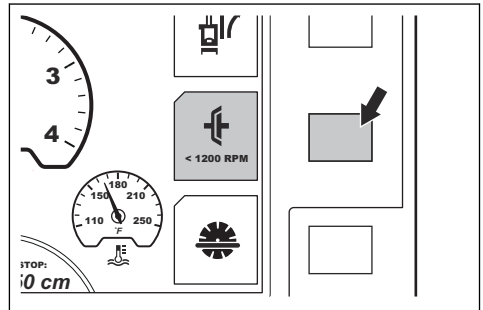


- Si le produit est équipé d'un embrayage de disque, procéder comme suit :

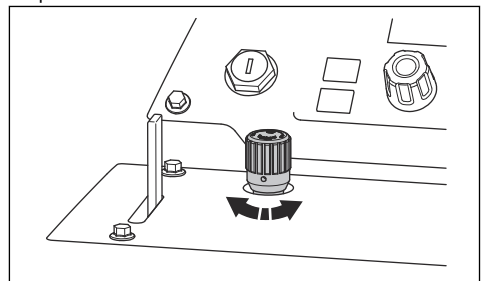
- S'assurer que le régime du moteur n'est pas supérieur à 1 200 tr/min.



- Appuyer sur le bouton situé à côté du symbole d'embrayage de disque sur l'écran. Le symbole à l'écran change de couleur pour indiquer que l'entraînement du disque de coupe est engagé.

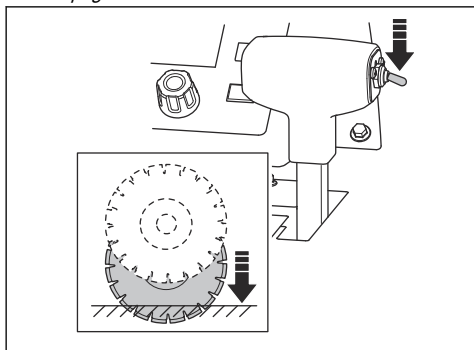


- Tourner la molette de réglage du régime dans le sens horaire pour augmenter le régime du moteur jusqu'à plein régime.
- Pour régler la vitesse d'abaissement du disque, tourner la molette de réglage de la vitesse d'abaissement du disque. Tourner dans le sens inverse des aiguilles d'une montre pour augmenter la vitesse et dans le sens des aiguilles d'une montre pour la réduire.



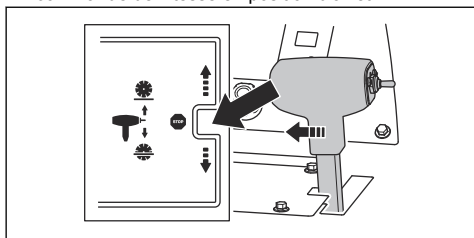
- Maintenir le guide réglable, le guide arrière et le disque de coupe sur la ligne de repère pendant toute la durée de l'opération.

9. Abaisser sur le commutateur de réglage de la profondeur de coupe pour abaisser le disque de coupe à la profondeur de coupe exacte. Se reporter à la section *Butée de profondeur de coupe du disque* à la page 133.

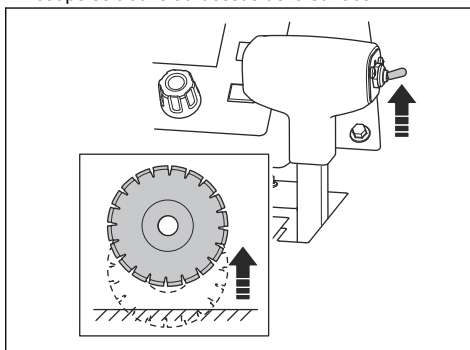


**MISE EN GARDE :** Lors de l'abaissement du disque de coupe dans une entaille qui n'est pas terminée, aligner le disque de coupe précisément avec l'entaille afin d'éviter d'endommager le disque.

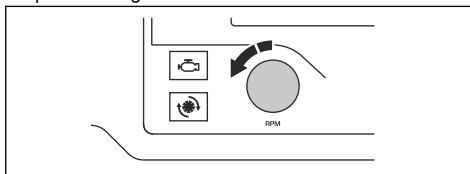
10. Pousser lentement le levier de commande de vitesse vers l'avant pour faire avancer le produit.  
 11. Prêter l'oreille au son du moteur. Tirer le levier de commande de vitesse vers l'arrière pour adapter la vitesse d'avancement aux conditions de sciage.  
 12. Une fois l'opération terminée, placer le levier de commande de vitesse en position d'arrêt.



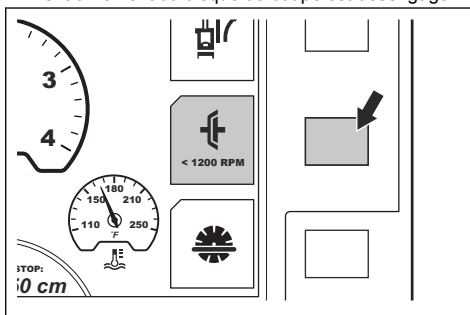
13. Lever le commutateur de réglage de la profondeur de coupe vers le haut jusqu'à ce que le disque de coupe se trouve au-dessus de la surface.



14. Tourner la molette de commande d'accélération à la position de grand ralenti.



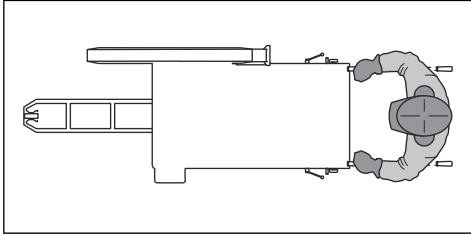
15. Si le produit est doté d'un embrayage de disque, appuyer sur le bouton situé à côté du symbole d'embrayage de disque sur l'écran. Le symbole à l'écran change de couleur pour indiquer que l'entraînement du disque de coupe est désengagé.



**Remarque :** Reportez-vous à la section *Fonctionnement en ligne droite du produit* à la page 137 pour obtenir plus d'informations sur le réglage de l'essieu arrière si le produit ne coupe pas en ligne droite.

## Utilisation de la bonne technique de travail

- Rester à l'écart de la trajectoire du disque lorsque le moteur tourne. L'utilisateur doit se placer entre les poignées.



- Vérifier fréquemment le disque de coupe pour détecter les fissures et les pièces cassées pendant la journée de travail. Ne pas utiliser un disque de coupe endommagé.



**AVERTISSEMENT :** Arrêter le moteur avant de vérifier le disque de coupe.

- Ne pas meuler avec le côté du disque de coupe. Le disque de coupe peut se briser et provoquer des blessures à l'utilisateur ou aux personnes à proximité. Utiliser seulement le bord de coupe.
- Ne pas plier ni tordre le disque de coupe dans l'entaille.
- S'assurer que le disque de coupe se déplace librement et ne se grippe pas dans l'entaille.

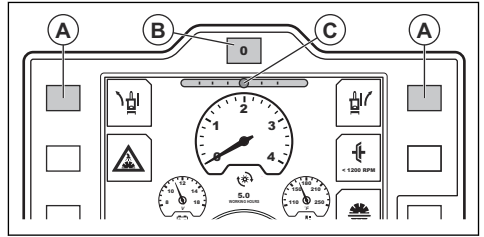
## Fonctionnement en ligne droite du produit

Pendant le sciage, le disque de coupe oppose une résistance au mouvement vers l'avant des roues arrière. Le produit est ainsi dirigé dans le même sens que celui où le disque de coupe est installé. Pour éviter une entaille non rectiligne, l'angle de l'essieu arrière peut être réglé. Deux procédures permettent de régler l'essieu : avec la fonction de suivi électronique ou avec un réglage manuel de l'essieu.

### Réglage de l'essieu arrière avec la fonction de suivi électronique

Le réglage de l'essieu avec la fonction de suivi électronique peut être effectué pendant le fonctionnement l'outil ou lorsqu'il est immobilisé.

- Appuyer sur les boutons de réglage de suivi électronique gauche et droit (A) pour régler l'essieu arrière. Appuyer plusieurs fois pour effectuer de petits réglages.

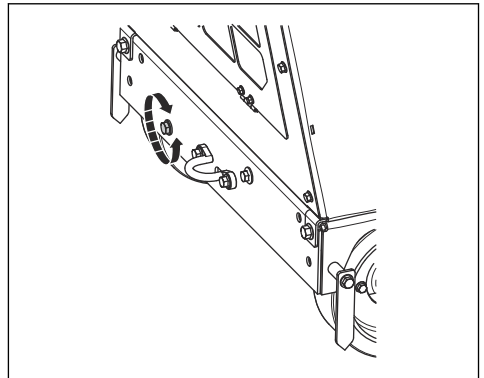


**Remarque :** L'indicateur du système de suivi électronique (C) à l'écran indique l'angle actuel de l'essieu arrière. Le réglage est enregistré lorsque le contact est coupé ou si l'outil est mis hors tension.

- Observer le mouvement et la direction de l'outil pour s'assurer que le réglage est approprié.
- Pour réinitialiser l'essieu arrière à l'angle central défini dans le système, appuyer sur le bouton de réinitialisation du système de suivi électronique (B).
- Pour revenir à l'angle réglé, appuyer de nouveau sur le bouton de réinitialisation du système de suivi électronique.
- Pour régler l'angle central défini dans le système, se reporter au manuel d'utilisation du panneau de commande.

### Réglage manuel de l'essieu arrière

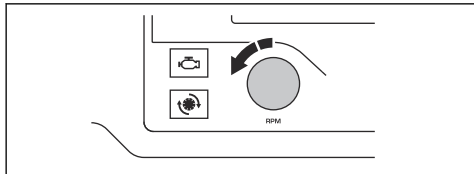
- Tourner le boulon de réglage en bas à gauche à l'arrière du produit. Utiliser une clé de 18 mm.



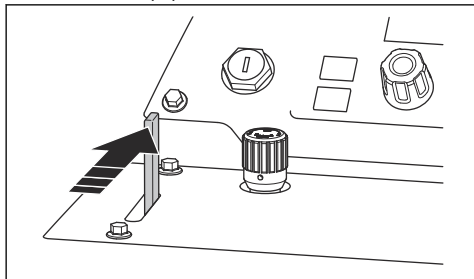
- a) Si la scie dévie vers la droite lors du sciage, tournez le boulon de réglage dans le sens inverse des aiguilles d'une montre.
- b) Si la scie dévie vers la gauche lors du sciage, tournez le boulon de réglage dans le sens des aiguilles d'une montre.

## Arrêt de l'outil

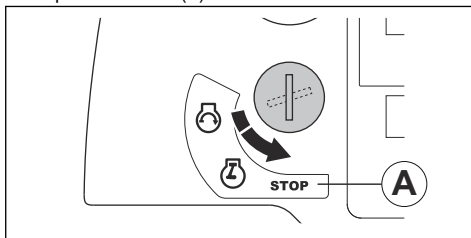
1. Tourner la molette de commande d'accélération à la position de grand ralenti.



2. Fermer la soupape d'eau.



3. Laisser le moteur tourner au ralenti pendant 2 à 3 minutes.
4. Tourner le commutateur de démarrage du moteur à la position STOP (A).



**AVERTISSEMENT :** Le disque de coupe continue de tourner pendant un moment après l'arrêt du moteur. Ne pas arrêter le disque de coupe avec les mains. Sinon, des blessures graves peuvent survenir.

## Entretien

### Introduction



**AVERTISSEMENT :** Lire et comprendre le chapitre sur la sécurité avant de faire l'entretien du produit.

Pour tous les travaux d'entretien et de réparation sur le produit, une formation spécifique est nécessaire. Nous garantissons que des réparations et des entretiens professionnels sont offerts. Si un revendeur n'est pas un agent d'entretien, communiquer avec lui pour connaître l'agent d'entretien le plus proche.

Pour les pièces de rechange, contacter un agent d'entretien ou un revendeur Husqvarna.

### À faire avant l'entretien

- Stationner le produit sur une surface de niveau et arrêter le moteur. Appuyer sur le bouton d'arrêt de la machine situé sur le panneau de commande pour éviter tout démarrage accidentel pendant l'entretien.

- Nettoyer la zone autour du produit pour éliminer toute trace d'huile et de saleté. Enlever les objets indésirables.
- Placer des panneaux de signalisation clairs autour de la zone d'entretien pour avertir les personnes présentes que des travaux d'entretien sont en cours.
- Garder des extincteurs, des fournitures médicales et un téléphone d'urgence à proximité.

### Calendrier d'entretien

**Remarque :** Si le tableau indique plusieurs intervalles de temps, le plus court concerne le premier entretien uniquement.

\* Se reporter à la section *Dispositifs de sécurité sur l'outil* à la page 121 pour obtenir des instructions.

Entretien	Tous les jours et après un transport	50 h	100 h	250 h	500 h	Une fois par an
Nettoyer le produit.	X					
Contrôlez le niveau de liquide de refroidissement du radiateur.	X					

<b>Entretien</b>	<b>Tous les jours et après un transport</b>	<b>50 h</b>	<b>100 h</b>	<b>250 h</b>	<b>500 h</b>	<b>Une fois par an</b>
Contrôlez le niveau d'huile moteur.	X					
Contrôlez le carter de disque.	*					
Contrôlez tous les tuyaux et colliers de serrage. Vérifiez que les tuyaux ne frottent pas contre d'autres tuyaux ou pièces du produit.	X					
Nettoyez le filtre à air extérieur.	X					
Contrôlez les capots de protection et les carters de disque.	*					
Vidangez l'eau de la boîte de vitesses.	X					
Vérifiez l'approvisionnement en eau du disque de découpe.	X					
Vidangez le séparateur d'eau du filtre à carburant.	X					
Lubrifiez le pivot du cylindre hydraulique.	X					
Remplacez l'huile moteur et le filtre à huile.		X	X			
Nettoyez le filtre à air du radiateur.		X				
Contrôlez les courroies trapézoïdales.		X				
Lubrifiez les roues avant.		X				
Remplacez le filtre du circuit hydraulique.		X		X		
Lubrifiez les roulements de pivot de l'arbre avant.			X			
Vérifiez que les roues et moyeux de roue ne sont pas endommagés et qu'ils sont correctement installés.			X			
Examinez le tuyau du filtre à air et les colliers de serrage.			X			
Contrôlez le niveau d'huile hydraulique.			X			
Remplacer le filtre à carburant.			X			
Lubrifiez l'axe de disque.				X		
Lubrifiez le roulement de l'arbre arrière.				X		
Remplacez l'huile hydraulique.					X	
Changez l'huile dans la boîte de vitesses.					X	
Remplacez le liquide de refroidissement du radiateur.					X	
Remplacez les filtres à air.						X
Vérifiez que le mélange de liquide de refroidissement est correct. Reportez-vous à la section <i>Données techniques à la page 156</i> .						X

## Nettoyage du produit



**AVERTISSEMENT :** Porter des lunettes de protection. Lorsque du nettoyeur produit à l'aide d'un nettoyeur haute pression, de la saleté et des matériaux dangereux peuvent être éjectés du produit.

- Laisser le produit refroidir avant de le nettoyer.
- S'assurer que le couvercle de la boîte à fusibles et relais est correctement installé avant de nettoyer le produit.
- Ne pas nettoyer les composants électriques avec de l'eau.
- Utiliser un produit de nettoyage doux. Porter des gants de protection pour éviter toute irritation de la peau.
- Utiliser un nettoyeur à haute pression pour nettoyer le produit.

## Nettoyage du radiateur



**MISE EN GARDE :** Respecter les instructions. Une procédure incorrecte peut endommager les ailettes de refroidissement.

- Utiliser de l'air comprimé pour nettoyer les ailettes de refroidissement.
- Si nécessaire, utiliser un nettoyeur haute pression et un produit de nettoyage doux.
- Pulvériser directement sur le radiateur, parallèlement aux ailettes de refroidissement.
- Maintenir une distance minimale de 40 cm (15,75 po) entre les ailettes de refroidissement et le gicleur du nettoyeur haute pression ou le jet d'air.

## Nettoyage du panneau de commande



**MISE EN GARDE :** Ne pas utiliser un nettoyeur haute pression pour nettoyer le panneau de commande.

- Nettoyer les composants électriques à l'aide d'un chiffon ou de l'air comprimé.
- Nettoyer le panneau de commande au moyen d'un chiffon humide.

## Nettoyage du moteur

- Maintenir une distance minimale de 40 cm (15,75 po) entre le gicleur et le moteur et ses composants.
- Faire attention lors du nettoyage du moteur, en particulier à proximité des composants électriques. Ne pas pulvériser l'eau directement sur les composants électriques.
- Ne pas diriger l'eau directement dans le tuyau d'échappement ou le filtre à air du moteur.

## À faire après le nettoyage du produit

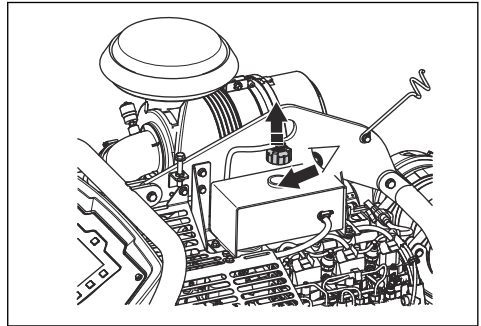
- Sécher les bornes électriques à l'air comprimé.
- Laisser le produit sécher complètement avant de démarrer le moteur.

## Vérification du niveau de liquide de refroidissement du radiateur



**AVERTISSEMENT :** Risque de brûlures. Laisser le moteur se refroidir avant de retirer le couvercle de liquide de refroidissement du radiateur.

1. Déposer le couvercle de liquide de refroidissement du radiateur.



2. Regarder dans le réservoir de liquide de refroidissement. Le niveau de liquide de refroidissement est correct lorsqu'il est au début du tube dans le réservoir de liquide de refroidissement.
3. Si le niveau de liquide de refroidissement du radiateur est trop bas, faire l'appoint de liquide jusqu'à ce que le niveau soit correct. Se reporter à la section *Données techniques à la page 156* pour connaître le type et le mélange corrects de liquide de refroidissement du radiateur.

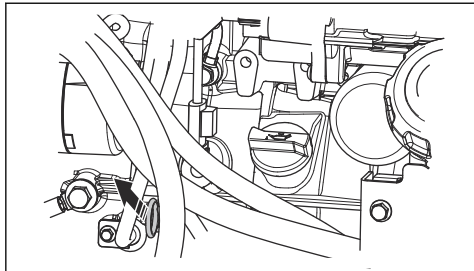
## Pour vérifier le niveau d'huile moteur

Pour lire correctement le niveau d'huile, le produit doit être dans la position appropriée.

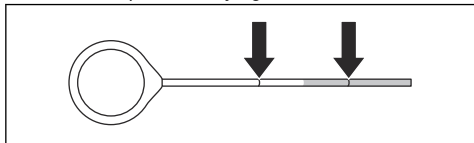
1. S'assurer que le disque de coupe est déposé et que le produit est de niveau lors de la vérification du niveau d'huile moteur.



## 2. Retirer la jauge d'huile du réservoir d'huile.



3. Nettoyer l'huile sur la jauge d'huile.
4. Remettre la jauge d'huile à fond dans le réservoir d'huile.
5. Retirer la jauge d'huile.
6. Examiner le niveau d'huile sur la jauge d'huile. S'assurer que le niveau d'huile moteur se trouve entre les repères de la jauge.



7. Si le niveau d'huile est trop bas, remplir avec de l'huile moteur et vérifier de nouveau le niveau d'huile. Se reporter à la section *Données techniques à la page 156* pour connaître le type d'huile moteur approprié.

## Vérification des flexibles et des colliers de serrage

- Rechercher des fuites sur les flexibles du circuit de carburant, du circuit hydraulique et du circuit de refroidissement.
- Vérifier que les flexibles ne sont ni usés ni endommagés, en particulier aux endroits où ils frottent contre d'autres flexibles ou pièces du produit.
- Remplacer les flexibles endommagés.
- Serrer les colliers de serrage desserrés.

## Nettoyage du filtre à air externe



**AVERTISSEMENT** : Porter un dispositif de protection respiratoire homologué lors du nettoyage ou du remplacement du filtre à air. Mettre au rebut les filtres à air usés correctement. La poussière présente dans le filtre à air est dangereuse pour la santé.

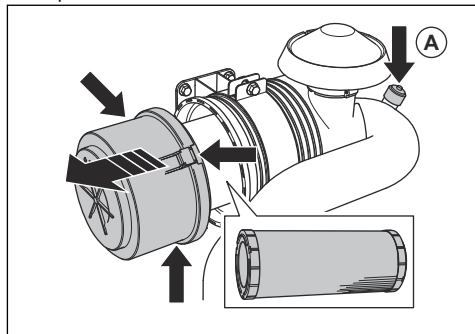


**AVERTISSEMENT** : Ne pas nettoyer le filtre à air à l'air comprimé. Cela

endommage le filtre à air et augmente le risque de respirer la poussière dangereuse.

Il n'est pas nécessaire de nettoyer le filtre à air interne.

1. Vérifier l'indicateur du filtre à air (A). Si l'indicateur du filtre à air est rouge, il est nécessaire de nettoyer le filtre à air externe.
2. Ouvrir les trois agrafes du boîtier du filtre à air et déposer le boîtier.



3. Retirer le filtre à air.
4. Tapoter le filtre à air contre une surface dure ou utiliser un aspirateur pour éliminer les particules.



**MISE EN GARDE** : Ne pas laisser l'embout de l'aspirateur toucher la surface du filtre à air. Garder une petite distance. La surface sensible du filtre à air est endommagée en cas de contact avec des objets.

5. Remplacer les joints endommagés.
6. Examiner le flexible du filtre à air et les colliers de serrage.
  - a) Remplacer les pièces endommagées.
  - b) Serrer les colliers de serrage desserrés.
7. Poser le filtre à air externe.
8. Poser le boîtier du filtre à air et fermer les trois agrafes du boîtier du filtre à air.

**Remarque** : Si les trois agrafes du boîtier du filtre à air ne peuvent pas être fermées, le filtre à air externe n'est pas correctement posé.



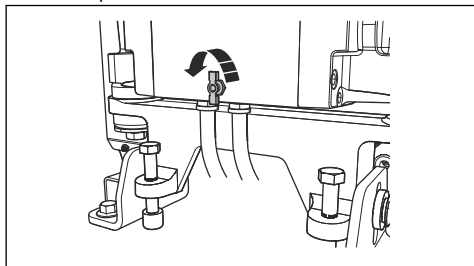
**MISE EN GARDE** : Toujours remplacer un filtre à air endommagé, sinon la poussière risque de pénétrer dans le moteur et de l'endommager. Tout dommage au moteur dû à un filtre à air endommagé annule la garantie.

## Vidange d'eau de la boîte de vitesses



**MISE EN GARDE :** L'eau présente dans la boîte de vitesses peut provoquer des dommages dus à la corrosion et au gel.

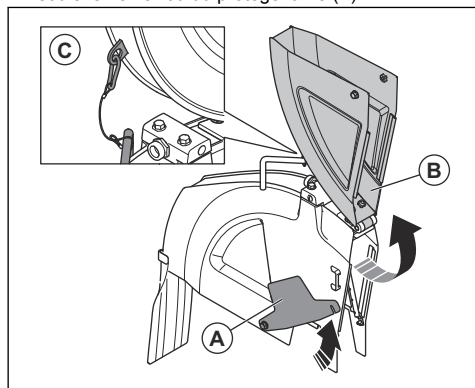
1. Tourner le robinet de vidange d'eau de la boîte de vitesses dans le sens inverse des aiguilles d'une montre pour l'ouvrir.



2. Tourner le robinet de vidange d'eau de la boîte de vitesses dans le sens des aiguilles d'une montre pour le fermer.

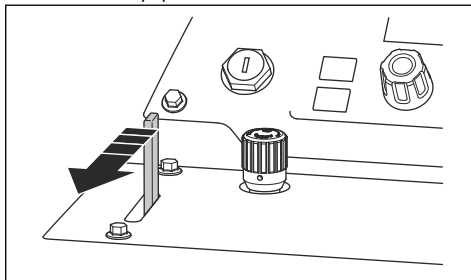
## Vérification de l'alimentation en eau du disque de coupe (FS7000 D)

1. Desserrer le boulon avant du protège-lame et soulever le verrou du protège-lame (A).

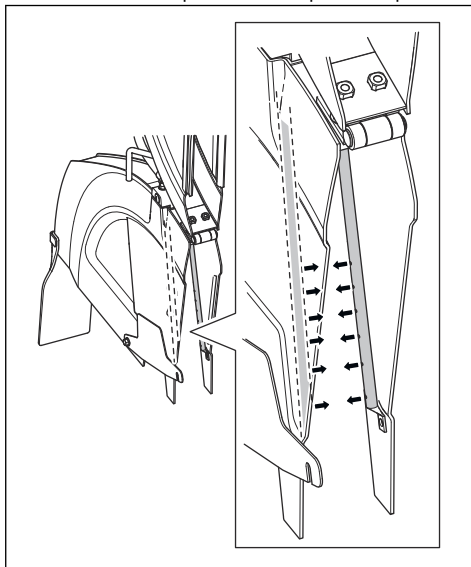


2. Soulever l'avant du protège-lame (B) et le verrouiller en position verticale à l'aide d'un fil et d'un mousqueton (C).

3. Ouvrir la soupape d'eau.



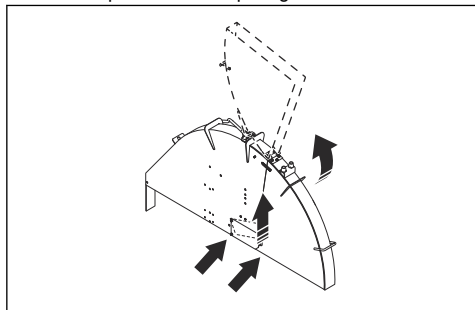
4. S'assurer que les jets d'eau sortent directement des orifices et de chaque côté du disque de coupe.



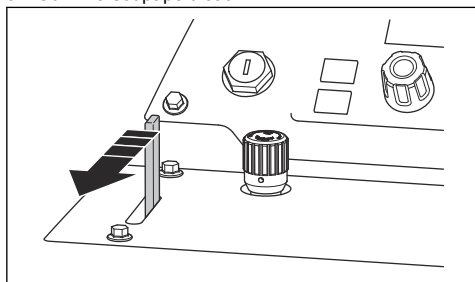
5. S'assurer qu'il n'y a aucune fuite dans les tuyaux d'eau.
6. Remplacer les tuyaux d'eau s'ils sont endommagés.

## Vérification de l'alimentation en eau du disque de coupe (FS7000 DL)

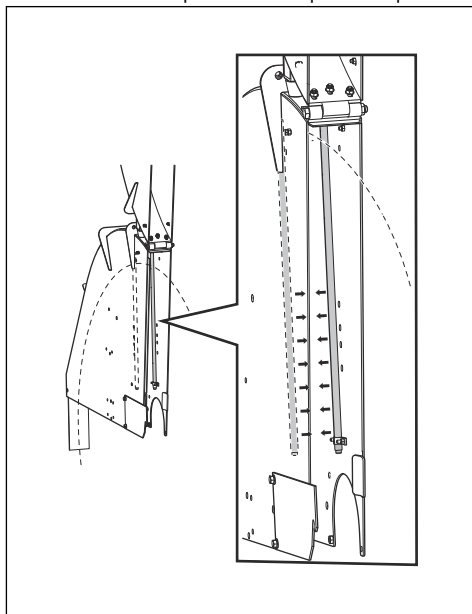
1. Lever la partie avant du protège-lame.



2. Verrouiller le protège-lame en position verticale à l'aide d'un mousqueton.
3. Ouvrir la soupape d'eau.



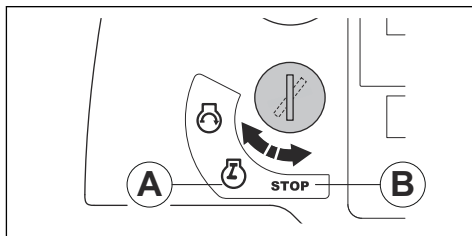
4. S'assurer que les jets d'eau sortent directement des orifices et de chaque côté du disque de coupe.



5. S'assurer qu'il n'y a aucune fuite dans les tuyaux d'eau.
6. Remplacer les tuyaux d'eau s'ils sont endommagés.

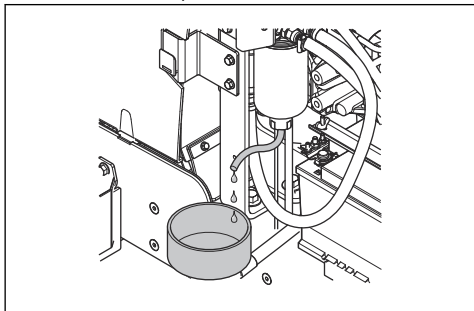
## Vidange du séparateur d'eau du filtre à carburant

1. Placer un récipient sous le flexible au bas du séparateur d'eau du filtre à carburant.
2. Placer le commutateur de démarrage du moteur à la position de contact mis (A). Ne pas démarrer le moteur.



3. Laisser fonctionner la pompe à carburant pendant environ 15 secondes pour augmenter la pression dans le circuit de carburant.
4. Placer le commutateur de démarrage du moteur à la position STOP (B).

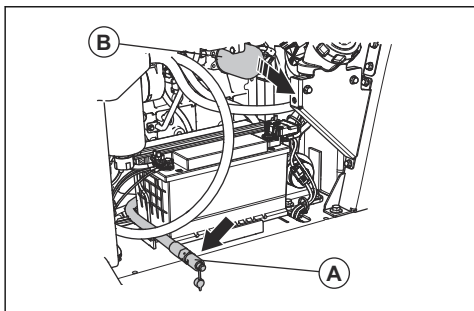
- Desserrer le robinet et vidanger l'eau du séparateur d'eau dans le récipient.



- Resserrer le robinet.
- Mettre l'eau au rebut comme un déchet chimique. Se reporter à la section *Mise au rebut à la page 155*.

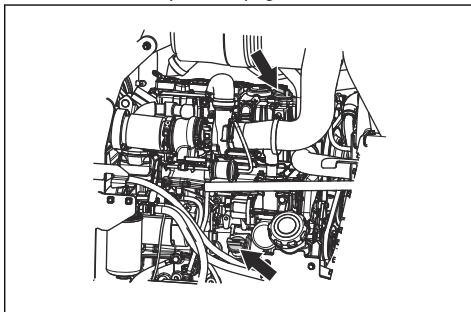
## Vidange de l'huile moteur et remplacement du filtre à huile

- Placer un couvercle sur la batterie pour éviter tout déversement d'huile sur celle-ci.
- Déposer le bouchon (A) du flexible de vidange d'huile moteur.



- Ouvrir la soupape et plier le flexible vers le bas pour vidanger l'huile moteur.
- Déposer le filtre à huile moteur (B) et le mettre au rebut.
- Refermer la soupape.
- Remplir d'huile un filtre à huile moteur neuf et poser le filtre à huile moteur sur le produit.

- Ouvrir le bouchon de réservoir d'huile et remplir le circuit d'huile moteur. Se reporter à la section *Données techniques à la page 156*.



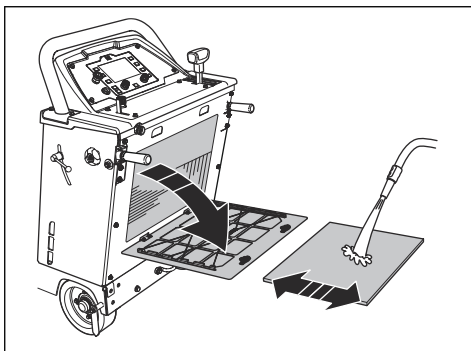
**Remarque :** Il y a deux bouchons de réservoir d'huile moteur.

## Nettoyage du filtre à air du radiateur



**MISE EN GARDE :** Ne pas faire fonctionner l'outil sans que le filtre à air du radiateur soit posé.

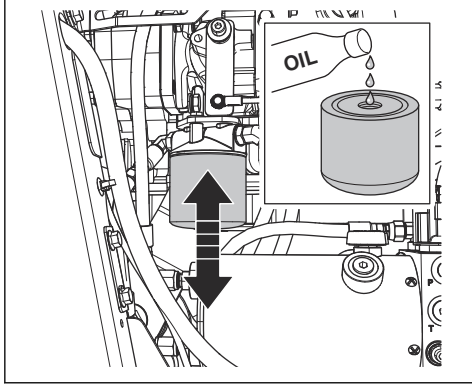
- Nettoyer le filtre à air du radiateur à l'eau savonneuse.



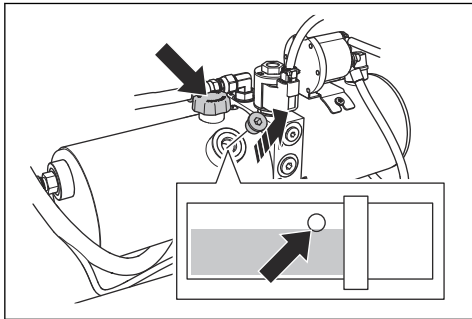
- Toujours remplacer les filtres à air de radiateur endommagés.

## Remplacement du filtre du circuit hydraulique

1. Déposer le filtre du circuit hydraulique et le mettre au rebut.



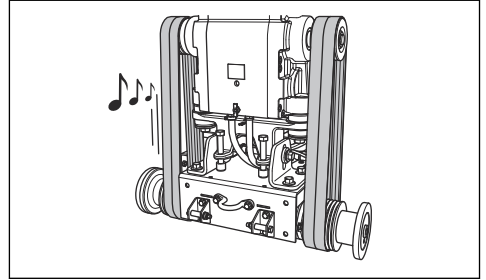
2. Remplir d'huile un filtre neuf du circuit hydraulique. Se reporter à la section *Données techniques à la page 156* pour connaître le type d'huile approprié.
3. Lubrifier le joint avec quelques gouttes d'huile.
4. Poser le filtre du circuit hydraulique.
5. S'assurer que l'outil est de niveau.
6. Retirer le bouchon de l'orifice d'inspection du réservoir hydraulique.



7. Déposer le bouchon du réservoir hydraulique et remplir d'huile neuve jusqu'au niveau exact. Se reporter à la section *Vérification du niveau d'huile hydraulique à la page 146*.
8. Poser le bouchon du réservoir hydraulique.
9. Poser le bouchon dans l'orifice d'inspection du réservoir hydraulique.

## Vérification des courroies trapézoïdales

- Tirer et relâcher les courroies trapézoïdales, une à la fois. Les courroies doivent émettre un son long et non court.



- a) Si les courroies trapézoïdales émettent un son long et clair, la tension est correcte.
  - b) Si les courroies trapézoïdales ne produisent qu'un bref son, la tension est trop faible. Se reporter à la section *Augmentation de la tension des courroies trapézoïdales à la page 145*.
- Examiner les courroies trapézoïdales à la recherche de fissures ou de tout autre dommage. Remplacer les courroies trapézoïdales endommagées.



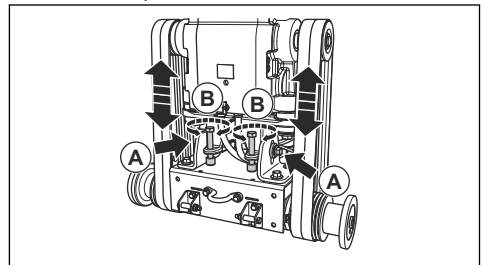
**MISE EN GARDE :** Ne pas remplacer uniquement une des courroies trapézoïdales. Toujours remplacer les 4 courroies trapézoïdales en même temps.

## Augmentation de la tension des courroies trapézoïdales



**MISE EN GARDE :** La tension des courroies trapézoïdales neuves doit être augmentée au bout des 2 à 4 premières heures de fonctionnement de l'outil.

1. Desserrer les 2 boulons (A) à l'aide de la clé pour arbre de disque.

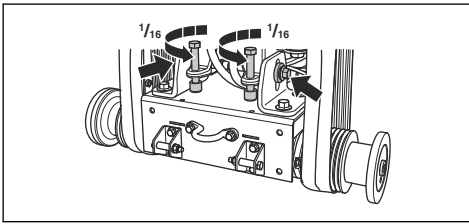


2. Tourner les boulons de tension des courroies (B) dans le sens des aiguilles d'une montre jusqu'à ce que les courroies trapézoïdales soient tendues.



**MISE EN GARDE :** Tourner les 2 boulons de tension des courroies de manière égale. La tension doit être la même dans les 2 courroies trapézoïdales.

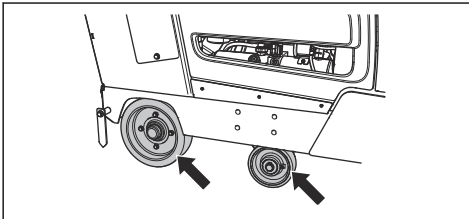
3. Vérifier les courroies trapézoïdales. Se reporter à la section *Vérification des courroies trapézoïdales* à la page 145.
  - a) Si la tension des courroies trapézoïdales est trop faible, tourner les boulons de tension des courroies un peu plus.
  - b) Répéter cette procédure jusqu'à ce que la tension de la courroie trapézoïdale soit correcte.
4. Serrer les 2 boulons (A).
5. Desserrer les boulons de tension des courroies dans le sens inverse des aiguilles d'une montre d'environ 1/16 de tour.



**MISE EN GARDE :** S'assurer que les 4 courroies trapézoïdales ont la même tension. Ne pas trop tendre les courroies trapézoïdales.

## Vérification des roues

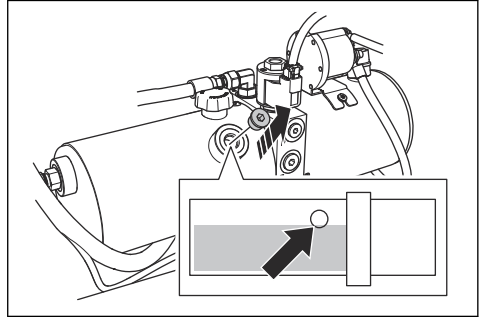
- Vérifier si les roues ne sont pas usées ou endommagées. Remplacer les roues et les moyeux s'ils sont endommagés ou usés.



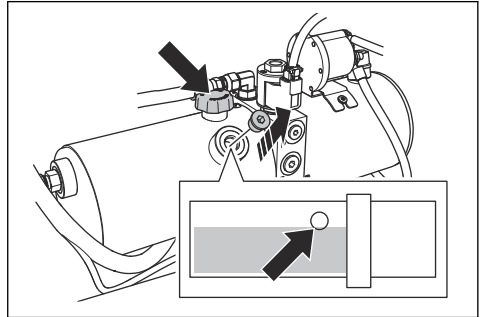
- Vérifier si les moyeux et les roues arrière ne sont pas desserrés. Serrer les vis et les écrous desserrés.

## Vérification du niveau d'huile hydraulique

1. Retirer le bouchon dans l'orifice d'inspection du réservoir hydraulique. Se reporter à *Présentation du produit, côté droit (FS7000 D)* à la page 112 ou à *Présentation du produit, côté droit (FS7000 DL)* à la page 114 pour connaître la position du réservoir hydraulique.



2. S'assurer que le niveau d'huile se trouve sur le bord inférieur de l'orifice du réservoir hydraulique.
3. Si nécessaire, déposer le bouchon du réservoir hydraulique et remplir le réservoir jusqu'à ce que le niveau d'huile soit correct. Se reporter à la section *Données techniques* à la page 156 pour connaître le type d'huile approprié.

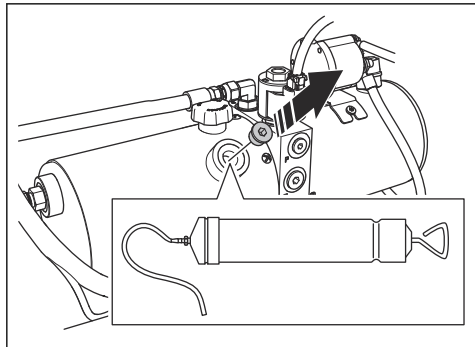


**MISE EN GARDE :** Ne pas remplir excessivement. L'huile peut s'écouler de l'orifice d'inspection.

4. Poser le bouchon du réservoir hydraulique.
5. Poser le bouchon dans l'orifice d'inspection du réservoir hydraulique.

## Vidange de l'huile hydraulique

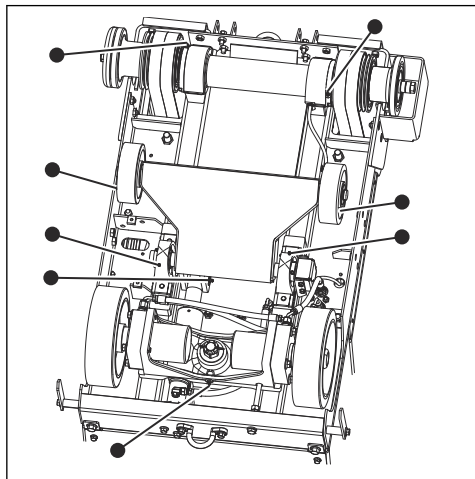
1. Retirer le bouchon de l'orifice d'inspection du réservoir hydraulique.



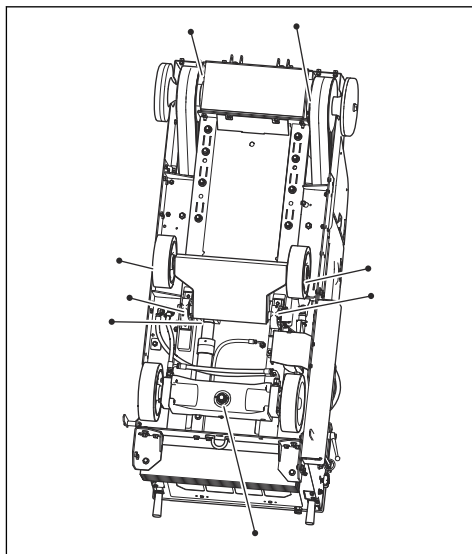
2. Utiliser une pompe à huile manuelle pour vidanger l'huile par l'orifice d'inspection du réservoir hydraulique.
3. Remplacer le filtre du circuit hydraulique. Se reporter à la section *Remplacement du filtre du circuit hydraulique* à la page 145.

## Lubrification de la machine

1. Nettoyer les 8 raccords graisseurs.
  - FS7000 D :



- FS7000 DL :



2. Remplacer les raccords graisseurs brisés ou obstrués.
3. Lubrifier les roues avant.
4. Lubrifier les crapaudines de l'essieu avant.
5. Lubrifier l'arbre de disque. Presser la pompe à graisse 2 fois à chaque extrémité de l'arbre de disque.
6. Lubrifier l'axe d'articulation du vérin hydraulique.
7. Lubrifier le palier d'essieu arrière.

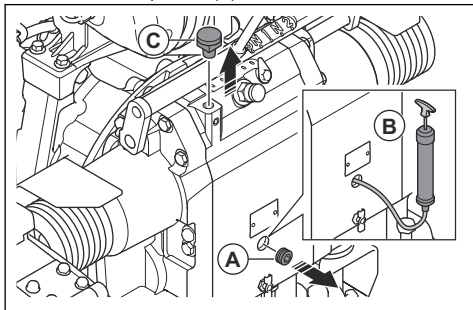
Pour obtenir de plus amples renseignements sur le graissage, se reporter à la section *Données techniques* à la page 156.

## Vidanger l'huile de boîte de vitesses.

La vidange d'huile de la boîte de vitesses peut se faire de 2 façons.

1. Pour vidanger l'huile à l'aide d'une pompe à huile manuelle, procéder comme suit :

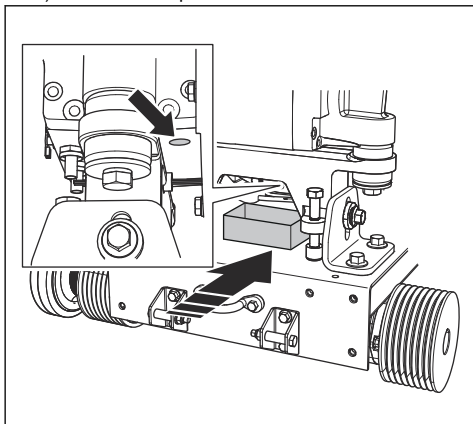
- a) Retirer le bouchon du regard d'inspection à l'avant du produit (A).



- b) Utiliser une pompe à huile (B) pour vidanger l'huile par le regard d'inspection.

2. Retirer la vis de gauche (C).
3. Pour vidanger l'huile par l'orifice situé sous le moteur, procéder comme suit :

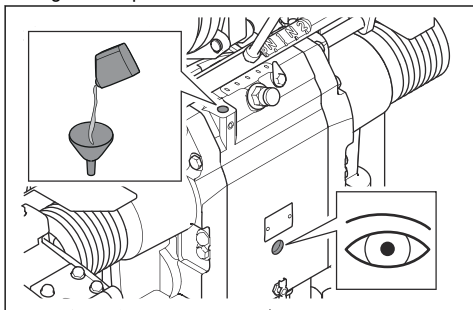
- a) Placer un récipient sous le moteur.



- b) Desserrer la vis et laisser l'huile s'écouler dans le récipient.

- c) Serrer la vis.

4. Remplir le tube d'huile tout en regardant à travers le regard d'inspection.



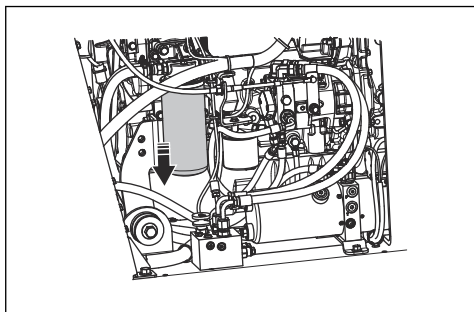
5. Remplir jusqu'à ce que le niveau d'huile soit correct.
6. Serrer la vis de gauche.

## Remplacement du filtre à carburant



**AVERTISSEMENT :** Porter des gants de protection pour éviter toute irritation de la peau. Le carburant peut provenir du filtre à carburant et s'écouler sur la peau.

1. Fermer la soupape du préfiltre. Pour obtenir des renseignements supplémentaires, consulter le manuel du moteur.
2. Tourner le filtre à carburant dans le sens inverse des aiguilles d'une montre pour le retirer.
3. Remplacer le filtre à carburant.
4. Remplir le filtre à carburant neuf de carburant diesel.
5. Lubrifier le joint avec quelques gouttes de carburant diesel.



6. Poser le filtre à carburant.
7. Ouvrir la soupape du préfiltre avant de démarrer le moteur.

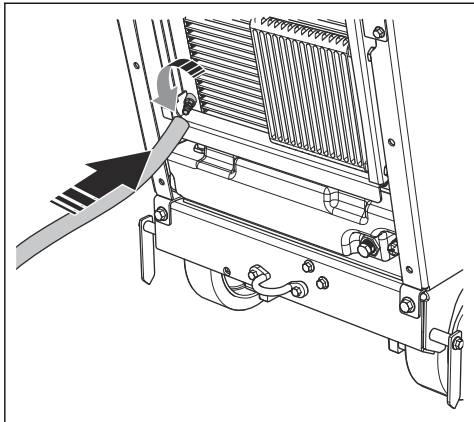
## Vidanger du liquide de refroidissement du radiateur



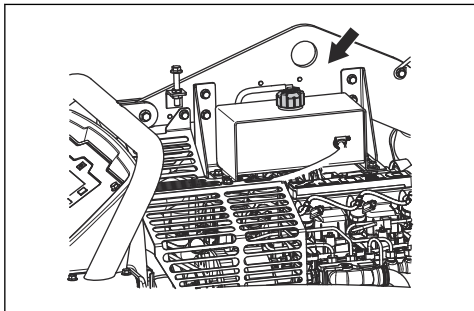
**AVERTISSEMENT :** Risque de brûlures. Laisser le moteur se refroidir avant de retirer le couvercle de liquide de refroidissement du radiateur.



1. Déposer le couvercle arrière.



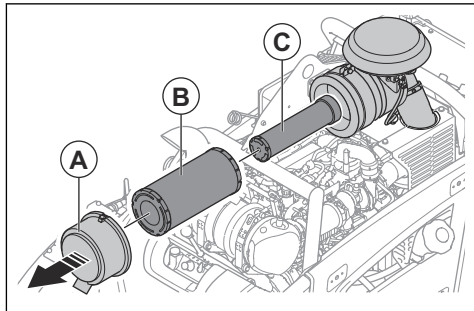
2. Placer une rallonge sur la soupape.
3. Ouvrir la soupape.
4. Déposer le couvercle de liquide de refroidissement du radiateur. Le liquide de refroidissement du radiateur s'écoule du circuit.



5. Refermer la soupape.
6. Remplir de liquide de refroidissement du radiateur jusqu'à ce que le niveau atteigne le début du tube dans le réservoir de liquide de refroidissement. Se reporter à la section *Données techniques à la page 156* pour connaître le type et le mélange corrects de liquide de refroidissement du radiateur.

## Remplacement des filtres à air

1. Ouvrir les trois agrafes du boîtier du filtre à air (A) et retirer ce boîtier.



2. Remplacer le filtre à air externe (B) et le filtre à air interne (C).
3. Poser les filtres à air neufs dans l'ordre inverse.

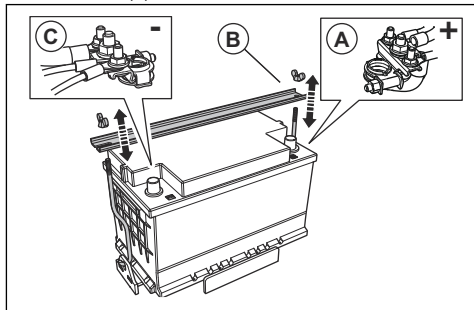
**Remarque :** Si les trois agrafes du boîtier du filtre à air ne peuvent pas être fermées, le filtre à air externe n'est pas correctement posé.

## Entretien de la batterie

**Remarque :** La batterie de votre produit est de type sans entretien. Ne pas ouvrir ou retirer les capuchons ou les couvercles.

## Branchement et débranchement de la batterie

1. Raccorder le câble de batterie rouge (A) à la borne POSITIVE (+) de la batterie.



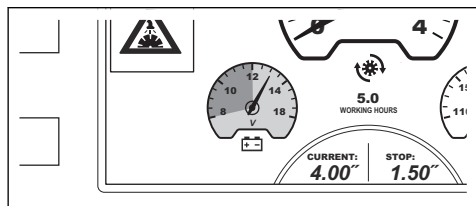
2. Poser le support de batterie (B).
3. Raccorder le câble de batterie noir (C) à la borne NÉGATIVE (-) de la batterie.
4. Débrancher les câbles de batterie dans l'ordre inverse de leur branchement.



**AVERTISSEMENT :** Toujours débrancher la borne NÉGATIVE (-) de la batterie en premier.

## Vérification de la batterie

- Vérifier la batterie chaque jour.
  - a) Tourner le commutateur de démarrage du moteur à la position de contact mis.
  - b) Vérifier l'indicateur de charge de la batterie sur l'écran. La charge ne doit pas être inférieure à 12 V.



- Si la charge de la batterie est inférieure à 12 V, recharger ou remplacer la batterie.
- Remplacer la batterie si elle ne peut pas conserver la tension. Cela peut se produire si l'outil n'est pas utilisé pendant une longue période. Pour plus d'informations sur les batteries recommandées, se reporter à la section *Données techniques à la page 156*.
- Recharger la batterie régulièrement.
- Maintenir les bornes et les câbles de batterie propres.

## Pour effectuer un démarrage d'urgence du moteur

Si la batterie est trop faible pour démarrer le moteur, il est possible d'utiliser des câbles volants pour effectuer un démarrage d'urgence. Ce produit est équipé d'un circuit de 12 V avec prise de masse négative.

Le produit utilisé pour le démarrage d'urgence doit également disposer d'un circuit de 12 V avec prise de masse négative et d'un minimum de 700 ampères de démarrage à froid.

## Raccordement des câbles volants

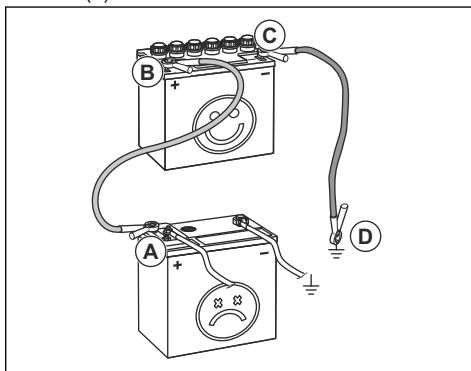


**AVERTISSEMENT :** Risque d'explosion en raison de gaz explosif qui provient de la batterie. Ne pas brancher la borne négative de la batterie chargée à la borne négative de la batterie faible ou à proximité de celle-ci.



**MISE EN GARDE :** Ne pas utiliser la batterie du produit pour démarrer d'autres véhicules.

1. Raccorder une extrémité du câble rouge de la batterie à la borne POSITIVE (+) de la batterie faible (A).



2. Raccorder l'autre extrémité du câble rouge à la borne POSITIVE (+) de la batterie chargée (B).



**AVERTISSEMENT :** Ne pas laisser les extrémités du câble rouge toucher le châssis. Sinon, cela provoque un court-circuit.

3. Raccorder une extrémité du câble noir de la batterie à la borne NÉGATIVE (-) de la batterie faible (C).
4. Raccorder l'autre extrémité du câble noir à une MASSE DU CHÂSSIS (D), à l'écart du réservoir de carburant et de la batterie.

## Pour retirer les câbles de démarrage

**Remarque :** Retirer les câbles de démarrage dans l'ordre inverse par rapport à celui observé lors de leur raccordement.

1. Retirer le câble NOIR du châssis.
2. Retirer le câble NOIR de la batterie complètement chargée.
3. Retirer le câble ROUGE des 2 batteries.

## Régénération

**Remarque :** La fonction de régénération est une exigence légale pour les produits vendus en Europe. L'information contenue dans cette section s'applique uniquement aux produits conformes à la norme d'émission Euro V.

Pour réduire les émissions d'échappement, le moteur diesel est équipé d'un filtre à particules diesel (FDP) qui recueille les matières indésirables de l'échappement. La concentration de matières indésirables dans le filtre à particules diesel augmente pendant le fonctionnement de l'outil et il est nécessaire de nettoyer régulièrement le filtre à particules diesel. La procédure de nettoyage du

filtre à particules diesel, une régénération du FPD, est une procédure entièrement automatique qui est lancée par l'utilisateur et commandée par l'unité de commande du moteur. La régénération comprend différents modes :

- Régénération nécessaire
- Niveau d'avertissement
- Régénération à l'arrêt
- Mode d'arrêt du moteur
- Régénération d'entretien
- Remplacer le filtre à particules diesel

### Régénération nécessaire

Lorsque ce symbole d'avertissement s'affiche à l'écran, le moteur est dans un mode où la régénération s'avère nécessaire.



Ce mode n'a aucun effet sur la puissance de sortie du moteur. Il est recommandé d'effectuer une régénération à l'arrêt dans les plus brefs délais après l'affichage du symbole d'avertissement.

### Niveau d'avertissement

Lorsque ces symboles d'avertissement s'affichent à l'écran, le moteur est au niveau d'avertissement.



La puissance de sortie du moteur est réduite de 25 %. Il est recommandé d'effectuer une régénération à l'arrêt dans les plus brefs délais après l'affichage des symboles d'avertissement.

Si le fonctionnement continue au niveau d'avertissement et que la quantité de suie augmente à 120 % ou plus, le régime maximal du moteur est réduit à 1 500 tr/min.

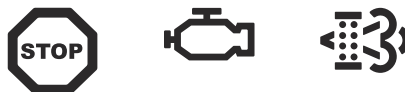
### Régénération à l'arrêt

Il faut environ 40 minutes pour effectuer une régénération à l'arrêt. Se reporter au manuel de

l'opérateur du panneau de commande pour obtenir plus d'information sur la procédure de régénération à l'arrêt.

### Mode d'arrêt du moteur

Lorsque ces symboles d'avertissement s'affichent à l'écran, le moteur est en mode d'arrêt du moteur.



La puissance de sortie du moteur est réduite de 50 % et le régime maximal du moteur est réduit à 60 %.

Une régénération d'entretien doit être effectuée.

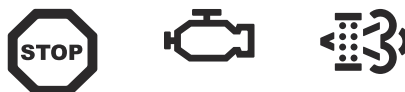
### Régénération d'entretien

Lorsque le moteur est en mode d'arrêt du moteur, une régénération à l'arrêt n'est pas possible. Il est nécessaire d'utiliser l'outil d'entretien SERDIA et d'effectuer une régénération d'entretien.

Il faut environ 40 minutes pour effectuer une régénération d'entretien. Se reporter au manuel de l'opérateur du panneau de commande pour obtenir plus d'information sur la procédure de régénération d'entretien.

### Remplacer le filtre à particules diesel

Lorsque ces symboles d'avertissement s'affichent à l'écran et que le moteur a le code d'erreur SPN : 4781, FMI : 14, la régénération n'est pas possible. Il est nécessaire de remplacer le filtre à particules diesel.



La puissance de sortie du moteur est réduite de 50 % et le régime maximal du moteur est réduit à 60 %.

---

## Dépannage

---

### Dépannage



**AVERTISSEMENT** : Si le moteur ou le disque de coupe s'arrête, lever complètement le disque de coupe de l'entaille. Placer le commutateur de démarrage à la position d'arrêt et appuyer sur le bouton d'arrêt de la machine

sur le panneau de commande. Examiner entièrement le produit avant de le redémarrer.

Pour plus d'informations sur les symboles d'avertissement, se reporter au manuel d'utilisation du panneau de commande.

Problème	Causes	Solution
Le moteur s'arrête pendant le sciage.	Le réservoir de carburant est vide. Le symbole d'avertissement correspondant s'affiche à l'écran.	Remplir le réservoir de carburant avec un carburant du type approprié.
	Le commutateur de sécurité d'eau arrête le moteur, car il n'y a pas de pression d'eau. Le symbole d'avertissement correspondant s'affiche à l'écran avec un message d'avertissement.	Désengager le commutateur de sécurité d'eau. Vérifier l'alimentation en eau.
	Le bouton d'arrêt de la machine est enfoncé. Le symbole d'avertissement correspondant s'affiche à l'écran avec un message d'avertissement.	Tirer le bouton d'arrêt de la machine vers le haut pour réinitialiser l'arrêt de la machine.
	Charge trop élevée sur le disque de coupe.	Prêter l'oreille au son du moteur. Si le régime du moteur diminue, tirer le levier de commande de vitesse vers l'arrière.
	Un fusible est grillé.	Remplacer les fusibles grillés.
Le disque de coupe s'arrête pendant le sciage.	La tension de la courroie d'entraînement n'est pas suffisante.	Vérifier la tension de la courroie d'entraînement.
	L'embrayage du disque est désengagé.	Engager l'embrayage du disque pour engager l'entraînement du disque. S'assurer que le régime du moteur ne dépasse pas 1 200 tr/min lors de l'engagement de l'embrayage du disque.
	Une panne électrique ou un fusible grillé touche l'embrayage du disque.	Vérifier les fusibles. Remplacer les fusibles grillés.
Le disque de coupe s'abaisse trop rapidement.	La soupape qui commande la vitesse de la position du disque de coupe est trop ouverte.	Tourner la molette de réglage de la vitesse d'abaissement du disque dans le sens des aiguilles d'une montre jusqu'à ce qu'une vitesse appropriée soit réglée.
Le disque coupe trop lentement.	Le disque de coupe est émoussé ou la pression d'alimentation est trop élevée.	Réduire la profondeur de coupe et le régime du moteur pendant un court moment.
L'unité de commande redémarre lorsqu'on essaye de démarrer le moteur.	La tension de la batterie est trop basse.	Recharger la batterie, remplacer la batterie ou utiliser des câbles volants.

## Transport, entreposage et mise au rebut

### Transport



**AVERTISSEMENT** : Être prudent lors du transport. Le produit est lourd et peut causer des blessures ou des dommages s'il se renverse ou se déplace pendant le transport.

Les roues vous permettent de déplacer le produit manuellement sur les distances courtes. Pour de plus longues distances, soulever le produit pour le déplacer ou le placer sur un véhicule.

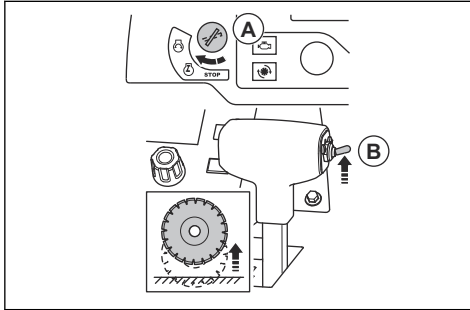


**MISE EN GARDE** : Ne pas remorquer le produit derrière un véhicule.

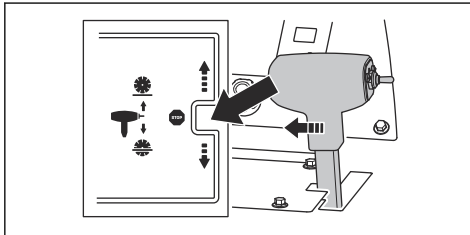
- Arrimer le produit pendant le transport. S'assurer qu'il ne puisse pas bouger.
- Retirer le disque de coupe avant de transporter le produit.
- Retirer tous les outils et les clés.
- Pour le transport du produit et du carburant, s'assurer qu'il n'y a pas de fuite ou de vapeur. Les étincelles ou les flammes nues, par exemple avec des appareils électriques ou des chaudières, peuvent déclencher un incendie.
- Toujours utiliser des contenants agréés pour transporter du carburant.
- Inspecter tous les disques neufs à la recherche de dommages dus au transport.

## Pour déplacer le produit lorsque le moteur tourne

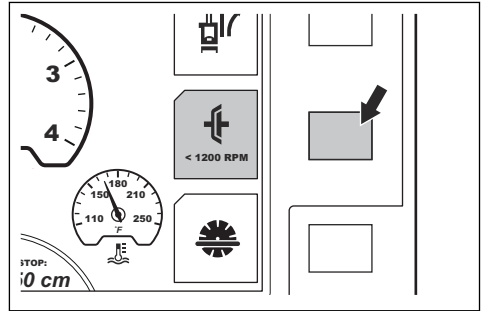
1. Placer le commutateur de démarrage du moteur à la position de contact mis (A).



2. Lever le commutateur de réglage de la profondeur de coupe (B) jusqu'à ce que le disque de coupe ne touche pas le sol.
3. Placer le levier de commande de vitesse à la position d'arrêt.



4. Si le produit est doté d'un embrayage de disque, s'assurer que l'embrayage est désengagé. L'embrayage de disque est désengagé lorsque le symbole sur l'écran n'est pas de couleur différente.

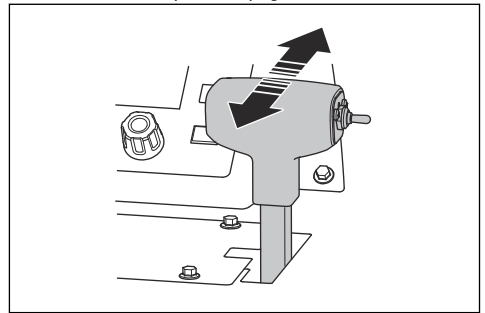


5. Si le produit n'est pas doté d'un embrayage de disque, déposer le disque ou mettre le levier de la boîte de vitesses au point mort. Se reporter aux sections *Dépose du disque de coupe à la page 128* et *Pour changer de vitesse sur un modèle à boîte à 3 rapports à la page 130*.



**AVERTISSEMENT :** Pour les produits qui ne sont pas dotés d'un embrayage de disque, le disque de coupe commence à tourner lorsque le moteur démarre. Ne pas déplacer l'outil sur le côté ou hors de la zone de travail si le disque de coupe tourne.

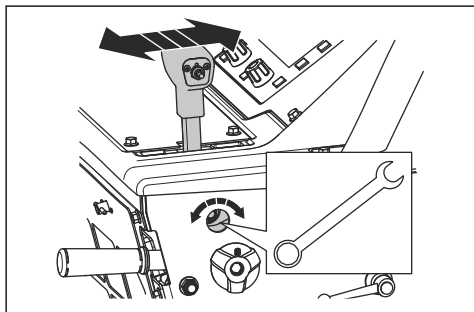
6. Démarrer l'outil. Se reporter à la section *Démarrage de l'outil à la page 134*.
7. Pousser le levier de commande de vitesse vers l'avant pour le déplacement de la scie vers l'avant ou vers l'arrière pour le déplacement vers l'arrière. Plus le levier de commande de vitesse est poussé, plus la vitesse augmente. Se reporter à la section *Données techniques à la page 156*.



**AVERTISSEMENT :** Ne pas ouvrir la soupape de dérivation de la transmission à la position de point mort lorsque la scie est stationnée sur une pente. Le produit peut se mettre en

mouvement et blesser les personnes se trouvant à proximité.

- Régler la résistance sur le levier de commande de vitesse à l'aide de l'écrou sur le côté du levier.



**Pour déplacer le produit vers le haut ou vers le bas dans une pente**



**AVERTISSEMENT :** Être très prudent lors du déplacement du produit dans une pente, moteur en marche. Le produit est lourd et il y a un risque de blessure si le produit se renverse ou se déplace trop rapidement.

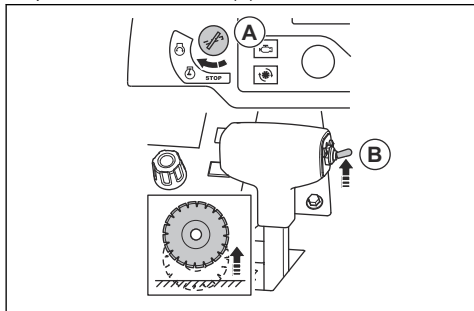


**AVERTISSEMENT :** Sur les pentes prononcées, toujours utiliser un treuil. Ne pas marcher ou rester devant le produit.

- Pour descendre une pente avec le produit, faire fonctionner le produit lentement en marche arrière.
- Pour monter une pente avec le produit, faire fonctionner le produit lentement en marche avant.

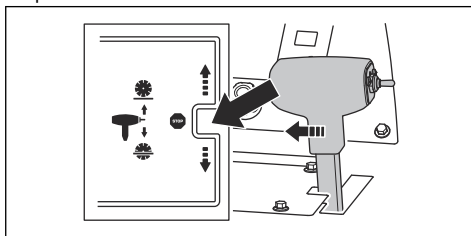
**Pour déplacer le produit lorsque le moteur est arrêté**

- Placer le commutateur de démarrage du moteur à la position de contact mis (A).

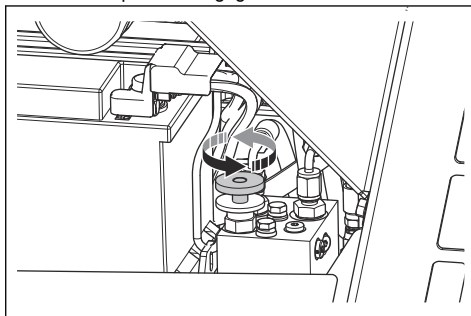


- Lever le commutateur de réglage de la profondeur de coupe (B) jusqu'à ce que le disque de coupe ne touche pas le sol.

- Placer le levier de commande de vitesse à la position d'arrêt.



- Tourner la soupape de dérivation de la transmission en sens inverse des aiguilles d'une montre au maximum pour désengager la transmission.



- Tenir les poignées de manœuvre et pousser le produit pour le déplacer.



**AVERTISSEMENT :** Ne pas pousser le produit sur une pente lorsque la soupape de dérivation de la transmission est au point mort. Le produit peut se mettre en mouvement et blesser les personnes se trouvant à proximité.

**Levage du produit**



**AVERTISSEMENT :** S'assurer que l'équipement de levage est de capacité appropriée. Le poids du produit figure sur sa plaque signalétique.



**AVERTISSEMENT :** Ne pas soulever un produit endommagé. S'assurer que l'anneau de levage est correctement posé et en bon état.

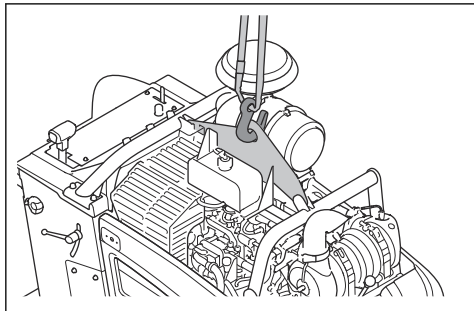


**AVERTISSEMENT :** Ne pas marcher ou rester en dessous ou à proximité d'un produit soulevé.



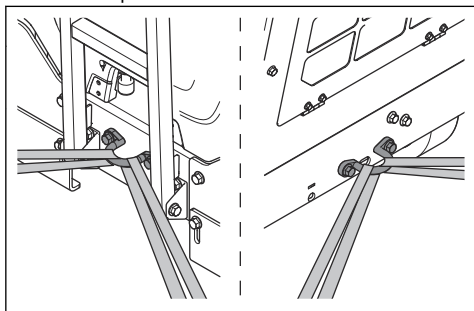
**MISE EN GARDE :** Ne pas utiliser les poignées de manœuvre pour soulever le produit.

- Attacher l'équipement de levage à l'anneau de levage.



### Pour arrimer le produit sur un véhicule de transport

1. Passer une sangle dans le support d'arrimage à l'avant du produit et l'attacher au véhicule.



2. Passer une sangle dans le support d'arrimage à l'arrière du produit et l'attacher au véhicule.

### Entreposage

- Le produit n'est pas équipé d'un frein de stationnement. Ne pas s'éloigner de l'outil lorsqu'il est dans une pente. S'il est nécessaire de stationner l'outil dans une pente, s'assurer que celui-ci est suffisamment attaché et ne peut pas bouger.
- Garder le produit dans un endroit verrouillé hors de portée des enfants et des personnes non autorisées.
- Vidanger l'eau de la boîte de vitesses.
- Régler le commutateur de démarrage du moteur à la position STOP (arrêt).
- Placer le levier de commande de vitesse à la position d'arrêt.
- Retirer le disque de coupe de l'outil.
- Ranger les disques de coupe dans un endroit sûr afin d'éviter tout dommage.

- Ranger les disques de coupe dans un endroit sec et à l'abri du gel.
- Examiner les disques de coupe neufs à la recherche de dommages dus à l'entreposage.
- Pour l'entreposage et le transport du produit et du carburant, s'assurer qu'il n'y a pas de fuite ou de vapeur. Les étincelles ou les flammes nues, par exemple avec des appareils électriques ou des chaudières, peuvent démarrer un incendie.
- Toujours utiliser des contenants agréés pour l'entreposage du carburant.
- Ranger la batterie dans un endroit frais et sec.

Pour le remisage à long terme, procéder également comme suit :

- Nettoyer le produit et procéder à un entretien complet.
- Lubrifier tous les points de graissage.
- Débrancher le câble de batterie de la borne négative de la batterie et le placer à une distance sûre de la batterie.
- Effectuer une recharge lente de la batterie pendant le remisage à long terme.
- Remplir le réservoir de carburant pour empêcher l'eau de pénétrer dans le circuit de carburant.
- Remiser le produit dans un endroit sec et à l'abri du gel.
- Vidanger le séparateur d'eau du filtre à carburant.
- Vérifier que le point de congélation du liquide de refroidissement du moteur est suffisant pour les températures dans l'endroit de remisage.
- Placer une housse de protection sur le produit. Ceci est particulièrement important pour le remisage à l'extérieur.
- Vidanger l'huile moteur après un remisage à long terme.

### Mise au rebut

- Les produits chimiques peuvent être dangereux et ne doivent pas se déverser au sol. Toujours mettre au rebut les produits chimiques usagés dans un centre d'entretien ou dans un emplacement de mise au rebut applicable.
- Lorsque le produit est usé, l'envoyer à votre concessionnaire ou dans un emplacement recyclage applicable.
- L'huile, les filtres à huile, le carburant et la batterie peuvent avoir des effets négatifs sur l'environnement. Respecter les exigences locales en matière de recyclage et la réglementation en vigueur.
- Ne pas mettre au rebut la batterie comme un déchet domestique ordinaire.
- Envoyer la batterie à un agent d'entretien Husqvarna ou la mettre au rebut dans un emplacement de mise au rebut des batteries usagées.

---

## Données techniques

---

### Données techniques


Moteur*	
Marque et type du moteur	Deutz, TD 2.9 L4
Puissance du moteur, kW/hp à tr/min <sup>9</sup>	55,4/74,3 à 2600
Cylindrée, dm <sup>3</sup> / po <sup>3</sup>	2,92/178
Cylindres	4
Filtre à air	Joint radial avec prédépoussiéreur et indicateur de colmatage
Démarrreur	Électrique
Carburant	Carburant diesel à très faible teneur en soufre uniquement

\* = Pour plus de renseignements et des questions sur ce moteur spécifique, se reporter au manuel du moteur ou au site Web du fabricant du moteur.

Circuits d'alimentation et de lubrification	
Capacité du réservoir de carburant, l/gal	40/10,6
Capacité du réservoir d'huile, l/pintes	8,5/9
Huile moteur	SAE 15W40 ou SAE 10W30, API Classe CJ-4, ACEA E6-08, ACEA E9-08
Huile pour boîte de vitesses	SAE 75W90
Capacité du réservoir d'huile de boîte de vitesses, l/pintes	Modèle de boîte de vitesses à un rapport : 0,95/1 Modèle de boîte de vitesses à trois rapports : 1,77/1,87
Graisse	Qualité : NLGI 2. Norme : SAE J310
Huile hydraulique	SAE 15W40, API classe SE, API classe CC, API classe CD

<sup>9</sup> Tel que spécifié par le fabricant du moteur. La puissance nominale des moteurs indiquée est la puissance de sortie moyenne brute (au régime spécifié) d'un moteur de série type pour le modèle de moteur, mesurée selon la norme SAE J1995. Les moteurs de production en série peuvent varier de cette valeur. La puissance de sortie réelle du moteur installé dans la machine finale dépend de la vitesse de fonctionnement, des conditions environnementales et d'autres variables.



Circuits d'alimentation et de lubrification	
Liquide de refroidissement	Éthane-1,2-diol et eau, mélange en parts égales Fourni dans le produit lors de l'achat.  Propane-1,2-diol et eau, mélange en parts égales.
	 <b>MISE EN GARDE :</b> Ne pas préparer le mélange directement dans le réservoir. Il est plus facile d'obtenir le mélange 50/50 correct si le mélange est préparé dans un récipient.

Batterie	
Type de terminal	T6
BCI	94R
Tension, V	12
Capacité, Ah	80-120
CCA, A	760-860
Taille max. L×I×H, mm/po	316×175×190 / 12,4×6,9×7,5

Configuration de la scie, FS7000 D	500/20	650/26	750/30	900/36	1000/42
Capacité du protège-lame, mm/po	500/20	650/26	750/30	900/36	1000/42
Profondeur de coupe max., mm/po	193/7,75	262/10,5	312/12,5	374/15	411/17,5
Vitesse de rotation de l'arbre de lame, tours par minute	2362	1762	1624	1354	1150
Sortie approximative de l'arbre de disque, kW/hp	68/50				
Taille du mandrin, mm/po	25,4/1 avec cinq goupilles d'entraînement				
Diamètre de flasque de disque à dégagement rapide, mm/po	114,5/4,5	127/5	127/5	152,5/6	178/7
Entraînement de l'arbre de disque	3 courroies trapézoïdales VX				
Liquide de refroidissement du disque	Eau				
Fixation du protège-lame.	Coulissant, verrouillage automatique				
Propulsion	Hydraulique				
Vitesse d'avancement max.	Variable à l'infini : 0 à 76 m/min / 0 à 250 pi/min en marche avant ou arrière. 25 m/min max. en marche arrière sur les modèles CE.				
Poids nominal (déballé), kg/lb	960/2116	980/2161	980/2161	1000/2205	1050/2315
Poids en ordre de marche max. avec accessoires en option, kg/lb	1030/2271	1050/2315	1050/2315	1070/2359	1120/2469

Configuration de la scie, FS7000 DL	650/26	900/36	1000/42	1200/48	1500/60
Capacité du protège-lame, mm/po	650/26	900/36	1000/42	1200/48	1500/60
Profondeur de coupe max., mm / po	262/10,5	374/15	411/17,5	498/20	623/25
Vitesse de rotation de l'arbre de lame, tours par minute	1762	1354	1150	1015	792
Sortie approximative de l'arbre de disque, kW/hp	68/50				
Taille du mandrin, mm/po	25,4/1 avec 6 vis				
Diamètre de flasque de disque à dé-gagement rapide, mm/po	127/5	152,5/6	178/7	203,2/8	254/10
Entraînement de l'arbre de disque	3 courroies trapézoïdales VX				
Liquide de refroidissement du disque	Eau				
Fixation du protège-lame.	Couissant, verrouillage automatique			Boulonné	
Propulsion	Hydraulique				
Vitesse d'avancement max.	Variable à l'infini : 0 à 76 m/min / 0 à 250 pi/min en marche avant ou arrière. 25 m/min vitesse maximale en marche arrière sur les modèles CE				
Poids nominal (déballé), kg/lb	1010/2226	1030/2271	1040/2293	1050/2315	1290/2844
Poids en ordre de marche max. avec accessoires en option, kg/lb	1070/2359	1090/2403	1110/2447	1120/2469	1360/2998

Données sur le bruit et les vibrations	
Niveau de puissance sonore, mesuré en dB (A)	115
Niveau de puissance acoustique garanti $L_{WA}$ dB(A) <sup>10</sup>	119
Niveau de pression sonore au niveau des oreilles de l'utilisateur, en dB (A) <sup>11</sup>	101
Niveau de vibrations, $a_{hv}$ , $m/s^2$ , poignée droite/poignée gauche <sup>12</sup>	<2,5/<2,5

## Déclaration relative au bruit et aux vibrations

Ces valeurs déclarées ont été obtenues par essai en laboratoire conformément à la directive ou aux normes indiquées et peuvent être comparées aux valeurs déclarées d'autres produits testés conformément à la

même directive ou aux mêmes normes. Ces valeurs déclarées ne conviennent pas aux évaluations des risques et les valeurs mesurées sur des lieux de travail individuels peuvent être plus élevées. Les valeurs d'exposition réelles et le risque d'atteinte encouru par un utilisateur individuel sont uniques et dépendent de la façon dont l'utilisateur travaille, du matériau dans lequel

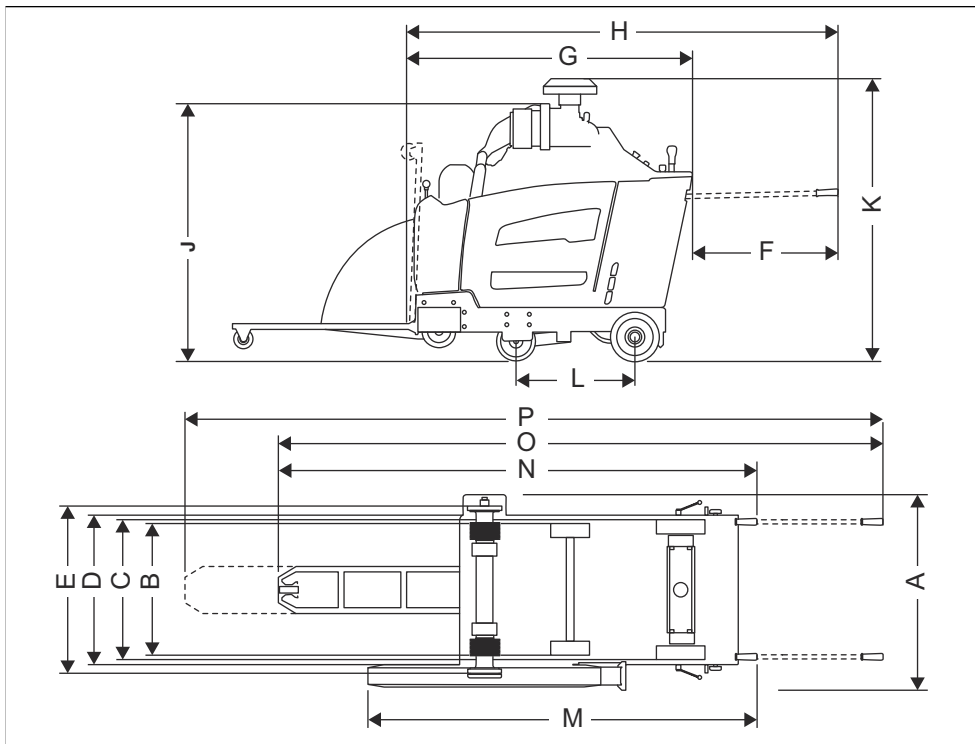
<sup>10</sup> Émission du bruit dans l'environnement mesurée en tant que puissance acoustique ( $L_{WA}$ ) conforme à la directive européenne 2000/14/EC. La puissance sonore garantie diffère du niveau mesuré en cela qu'elle prend également en compte la dispersion et les variations entre plusieurs machines du même modèle, conformément à la directive 2000/14/CE.

<sup>11</sup> Niveau de pression sonore selon la norme ISO EN 13862. Les données signalées pour le niveau de pression sonore présentent une dispersion statistique type (écart type) de 2,5 dB(A).

<sup>12</sup> Niveau de vibration selon la directive EN 13862. Les données signalées pour le niveau de vibration présentent une dispersion statistique type (écart standard) de 1  $m/s^2$ .

le produit est utilisé, du temps d'exposition et de la condition physique de l'utilisateur, ainsi que de l'état du produit.

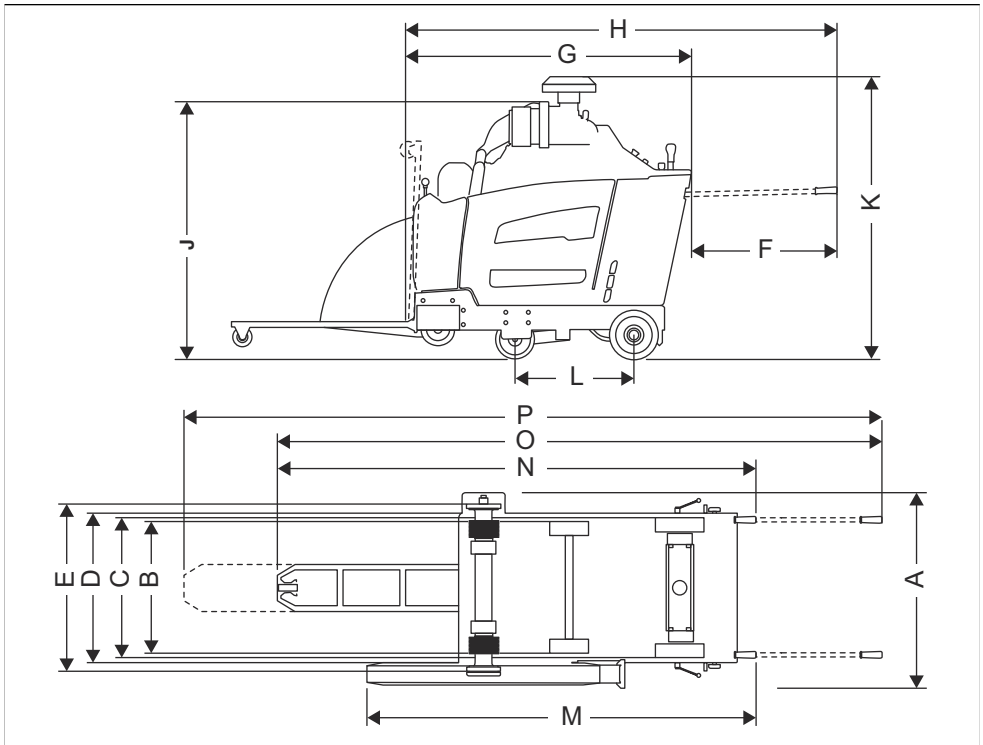
## Dimensions du produit (FS7000 D)



<b>A</b>	Largeur, mm/po	974/38,4	<b>J</b>	Hauteur totale min. (sans tuyau d'échappement, sans bouchon de prédépoussiéreur), mm/po	1319/51,9
<b>B</b>	Entraxe des roues, mm/po	Avant : 604/23,8, arrière : 646/25,4	<b>K</b>	Hauteur totale max. (partie supérieure du prédépoussiéreur), mm/po	1499/59
<b>C</b>	Largeur hors tout entre les roues, mm/po	Avant : 680/26,8, arrière : 722/28,4	<b>L</b>	Longueur de l'empattement, mm/po	597/23,5
<b>D</b>	Largeur du bâti, mm/po	750/29,5	<b>M</b>	Longueur, du protège-lame à la poignée (poignées non déployées), mm/po	1961/77,2
<b>E</b>	Largeur de flasque intérieur au flasque intérieur, mm/po	829,5/32,7	<b>N</b>	Longueur totale max. (poignées non déployées), mm/po	2500/98,4
<b>F</b>	Rallonge de poignée, mm/po	809/31,9	<b>O</b>	Longueur totale max. (poignées vers l'extérieur, guide abaissé), mm/po	3190/125,6

<b>G</b>	Longueur min. de la scie (guide et protection relevés, sans poignée), mm/po	1642/64,6	<b>P</b>	Longueur totale max. (poignées déployées, guide étendu), mm/po	3670/144,5
<b>H</b>	Longueur de la scie (guide relevé, poignées déployées), mm/po	2417/95,2			

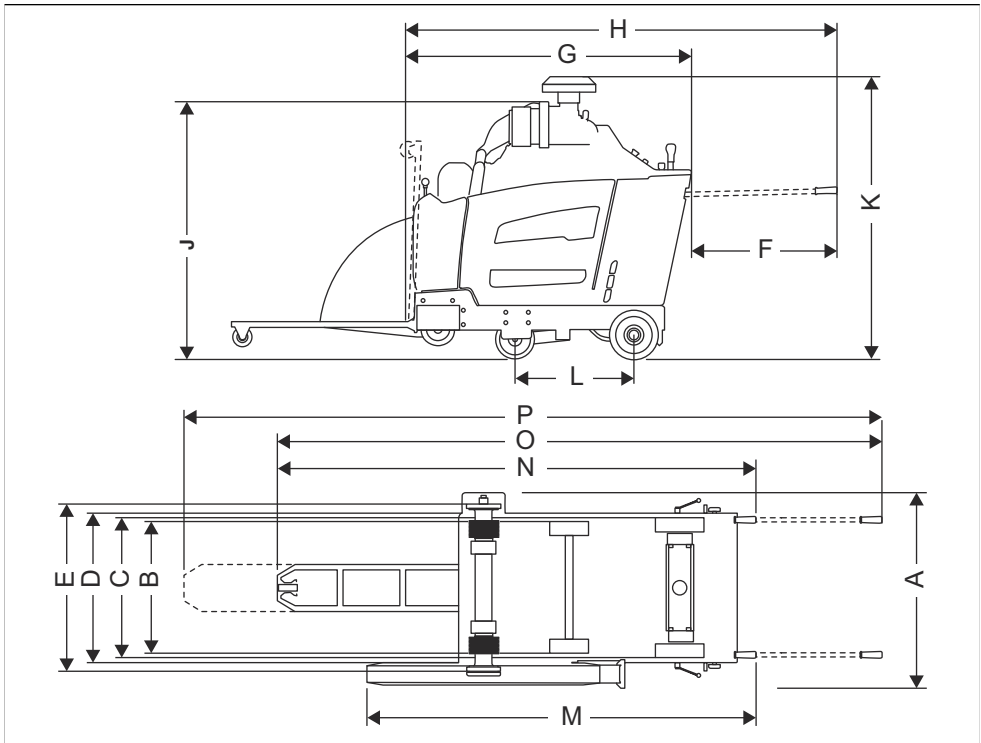
## Dimensions du produit (FS7000 DL, 36 à 48 po)



<b>A</b>	Largeur, mm/po	990/39	<b>J</b>	Hauteur totale min. (sans tuyau d'échappement, sans bouchon de prédépoussiéreur), mm/po	1319/51,9
<b>B</b>	Entraxe des roues, mm/po	Avant : 604/23,8, arrière : 646/25,4	<b>K</b>	Hauteur totale max. (partie supérieure du prédépoussiéreur), mm/po	1499/59
<b>C</b>	Largeur hors tout entre les roues, mm/po	Avant : 680/26,8, arrière : 722/28,4	<b>L</b>	Longueur de l'empattement, mm/po	597/23,5
<b>D</b>	Largeur du bâti, mm/po	750/29,5	<b>M</b>	Longueur, du protège-lame à la poignée (poignées non déployées), mm/po	2465/97
<b>E</b>	Largeur de flasque intérieur au flasque intérieur, mm/po	830/32,7	<b>N</b>	Longueur totale max. (poignées non déployées), mm/po	2793/110
<b>F</b>	Rallonge de poignée, mm/po	809/31,9	<b>O</b>	Longueur totale max. (poignées vers l'extérieur, guide abaissé), mm/po	3483/137,1

<b>G</b>	Longueur min. de la scie (guide et protection relevés, sans poignée), mm/po	1941/76,4	<b>P</b>	Longueur totale max. (poignées déployées, guide étendu), mm/po	3963/156
<b>H</b>	Longueur de la scie (guide relevé, poignées déployées), mm/po	2417/95,2			

## Dimensions du produit (FS7000 DL, 60 po)

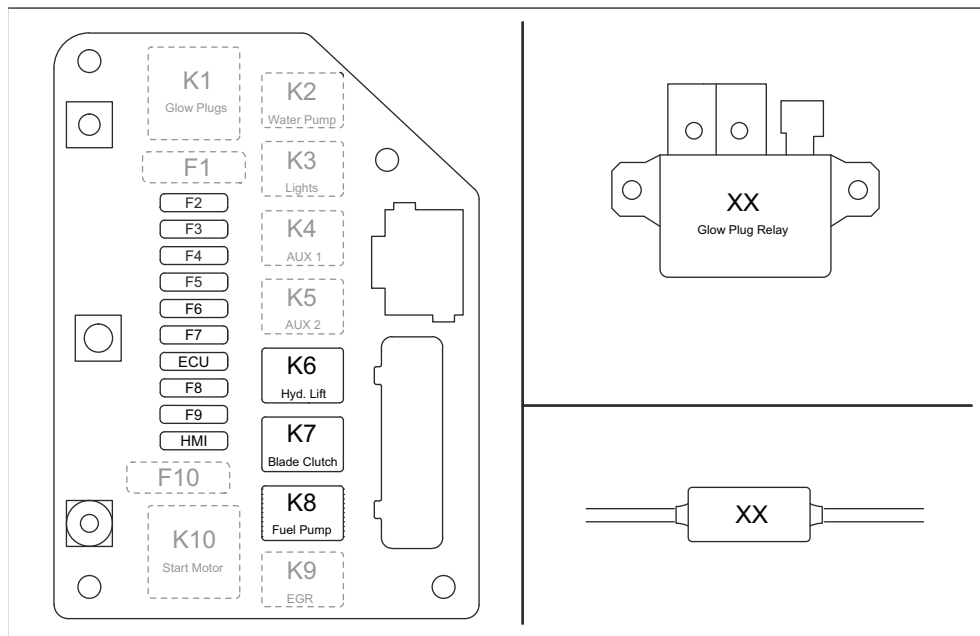


<b>A</b>	Largeur, mm/po	1003/39,5	<b>J</b>	Hauteur totale min. (sans tuyau d'échappement, sans bouchon de prédépoussiéreur), mm/po	2918/114,9
<b>B</b>	Entraxe des roues, mm/po	Avant : 604/23,8, arrière : 646/25,4	<b>K</b>	Hauteur totale max. (partie supérieure du prédépoussiéreur), mm/po	1499/59
<b>C</b>	Largeur hors tout entre les roues, mm/po	Avant : 680/26,8, arrière : 722/28,4	<b>L</b>	Longueur de l'empattement, mm/po	597/23,5
<b>D</b>	Largeur du bâti, mm/po	750/29,5	<b>M</b>	Longueur, du protège-lame à la poignée (poignées non déployées), mm/po	2465/97
<b>E</b>	Largeur de flasque intérieur au flasque intérieur, mm/po	825/32,5	<b>N</b>	Longueur totale max. (poignées non déployées), mm/po	2977/117,2
<b>F</b>	Rallonge de poignée, mm/po	809/31,9	<b>O</b>	Longueur totale max. (poignées vers l'extérieur, guide abaissé), mm/po	3571/140,6



<b>G</b>	Longueur min. de la scie (guide et protection relevés, sans poignée), mm/po	2324/91,5	<b>P</b>	Longueur totale max. (poignées déployées, guide étendu), mm/po	4051/159,5
<b>H</b>	Longueur de la scie (guide relevé, poignées déployées), mm/po	2417/95,2			

## Relais et fusibles



Fonction	Désignation	Relais (A)	Désignation	Fusible (A)
Bougies de préchauffage	K1	(non utilisé)	F1	(non utilisé)
Pompe à eau	K2	25	F2	25
Éclairage (en option)	K3	25	F3	25
Système de collecte de boue (en option)	K4	25	F4	25
5e roue (en option)	K5	25	F5	25
Pompe de lavage hydraulique	K6	25	F6	25
Embrayage du disque	K7	25	F7	15
Pompe à carburant	K8	25	F8	20
Sol. RGE/carburant	K9	(non utilisé)	F9	(non utilisé)

Fonction	Désignation	Relais (A)	Désignation	Fusible (A)
Dispositif auxiliaire de démarrage	K10	(non utilisé)	F10	(non utilisé)
ECU	s.o.	s.o.	ECU	25
Interface homme-machine (HMI)	s.o.	s.o.	Interface homme-machine (HMI)	25

---

## Accessoires

---

### Accessoires Husqvarna homologués

- Ensemble de masses arrière, 2 barres.
- Ensemble de projecteurs doubles.
- Ensemble de pompe à eau.
- Ensemble de 5<sup>e</sup> roue.





[www.husqvarnacp.com](http://www.husqvarnacp.com)

Original instructions  
Instrucciones originales  
Instructions d'origine

1141374-49 Rev. C



2024-10-21