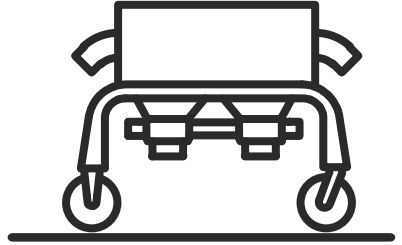




**H Husqvarna®**



DC 2-48

EN	Operator's manual
DE	Bedienungsanweisung
FR	Manuel d'utilisation
NL	Gebruiksaanwijzing

2-28
29-57
58-87
88-115

---

## Contents

---

Introduction.....	2	Transportation, storage and disposal.....	21
Safety.....	5	Technical data .....	25
Operation.....	9	Accessories.....	27
Maintenance.....	13	Declaration of Conformity.....	28
Troubleshooting.....	20		

---

## Introduction

---

### Product description

The product is a dust collector operated by electric motors. Dust goes through the dust collector hoses into the dust inlets. The product collects the dust particles from the air.

### Intended use

---



**WARNING:** Do not collect ignition sources, hot particles, liquids, explosive

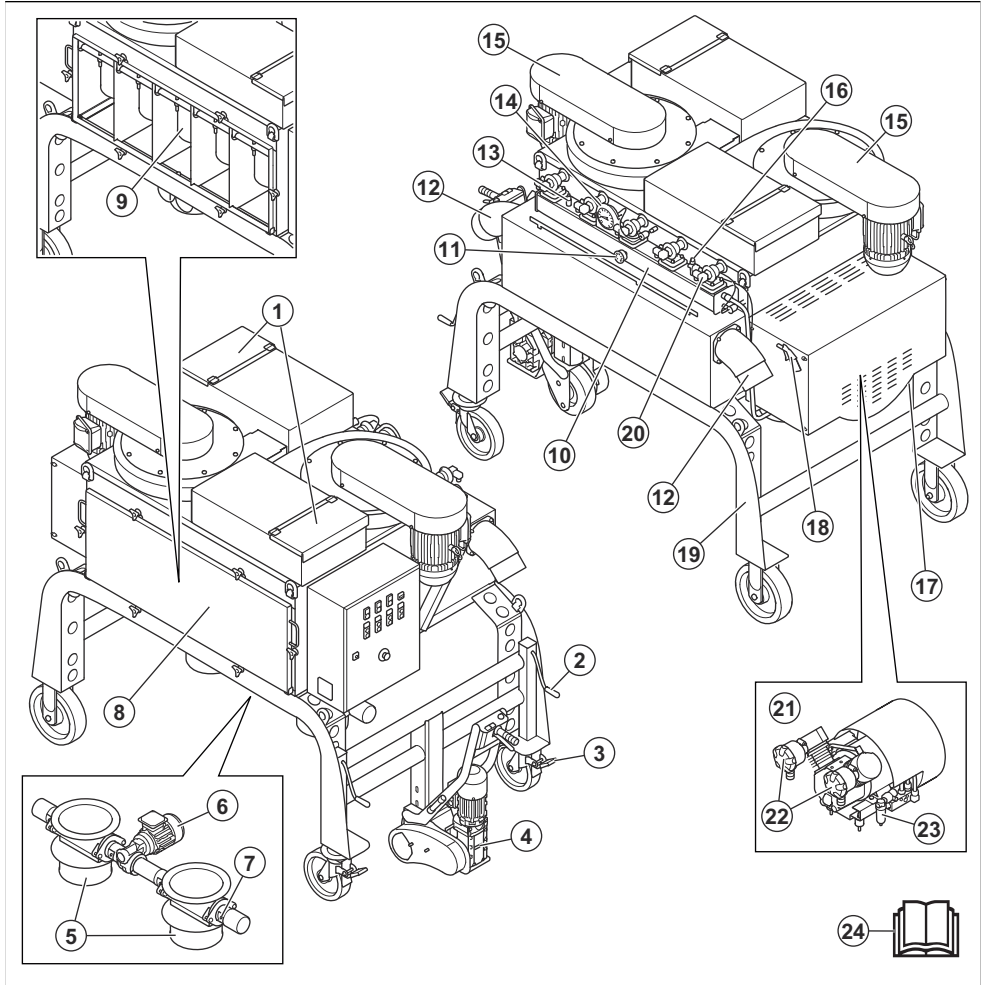
material and unstable or pyrophoric particles.

---

The product is for professional operations only. The product is intended for indoor and outdoor use in dry conditions together with an applicable Husqvarna shot blaster. The product is used for dry suction of dust and particles from material removed by the shot blaster. The material can be dangerous and harmful to health.

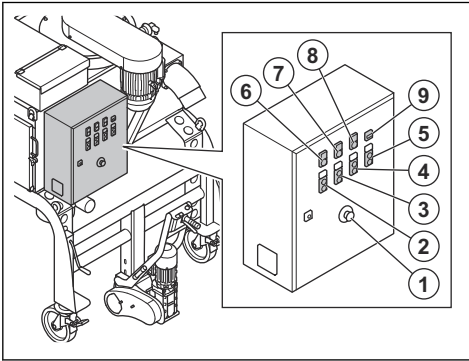
Do not use the product for other tasks. Only use the product with accessories that are approved by the manufacturer.

# Product overview



- |   |   |
|---|---|
| 1. Airflow hatches                            | 13. Safety valve for the pressure tank  |
| 2. Handle for height adjustment of the caster | 14. Vacuum gauge                        |
| 3. Parking brake                              | 15. Fan units                           |
| 4. Drive system with quick-release pin        | 16. Control valve for the pressure tank |
| 5. Rotating valves                            | 17. Drain box                           |
| 6. Drive motor for the rotating valves        | 18. Nozzle for pressurized air          |
| 7. Adjustment nut for the gland seal          | 19. Type plate                          |
| 8. Filter door                                | 20. Pulse valve                         |
| 9. Primary filters                            | 21. Air compressor                      |
| 10. Pressure tank                             | 22. Air compressor filters              |
| 11. Manometer                                 | 23. Water separator                     |
| 12. Air intakes                               | 24. Operator's manual                   |

## Control panel overview



1. Emergency stop button
2. Air compressor ON/OFF button
3. Fan ON/OFF button
4. Drive system ON/OFF button
5. Rotating valve ON/OFF button
6. Indicator for incorrect phase
7. Indicator for motor protection
8. Power indicator
9. Hour meter

## Symbols on the product



Warning: This product can be dangerous and cause serious injury or death to the operator or others. Be careful and use the product correctly.



High voltage.



Lifting point.



No lifting point.



Keep hands away from rotating parts.



Read the manual carefully and make sure that you understand the instructions before you use the product.



Use an approved respiratory protection.



Use approved hearing protection.



Use approved eye protection.



Use approved protective gloves.



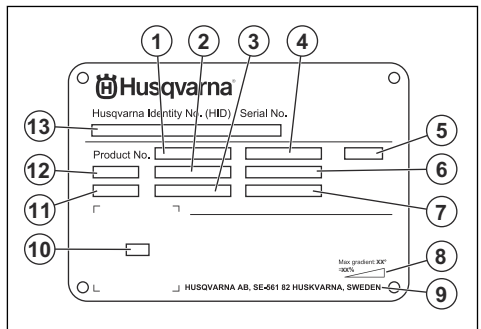
Use approved protective boots.



This product is in compliance with applicable EU directives.

**Note:** Other symbols/decals on the product refer to special certification requirements for some markets.

## Type plate



1. Product number
2. Product weight
3. Rated power
4. Rated voltage
5. Enclosure
6. Rated current
7. Frequency
8. Maximum slope angle
9. Manufacturer
10. Scannable code

- 11. Production year
- 12. Model
- 13. Serial number

## Product liability

As referred to in the product liability laws, we are not liable for damages that our product causes if:

- the product is incorrectly repaired.
- the product is repaired with parts that are not from the manufacturer or not approved by the manufacturer.
- the product has an accessory that is not from the manufacturer or not approved by the manufacturer.
- the product is not repaired at an approved service center or by an approved authority.

## Safety

### Safety definitions

Warnings, cautions and notes are used to point out specially important parts of the manual.



**WARNING:** Used if there is a risk of injury or death for the operator or bystanders if the instructions in the manual are not obeyed.



**CAUTION:** Used if there is a risk of damage to the product, other materials or the adjacent area if the instructions in the manual are not obeyed.

**Note:** Used to give more information that is necessary in a given situation.

### General safety instructions



**WARNING:** Read the warning instructions that follow before you use the product.

- This product is a dangerous tool if you are not careful or if you use the product incorrectly. This product can cause serious injury or death to the operator or others. Before you use the product, you must read and understand the contents of this operator's manual.
- This product is not intended for use by persons, including children, with reduced physical, sensory or mental capabilities, or lack of experience and knowledge, unless they have been given supervision or instruction concerning use of the appliance by a person responsible for their safety.
- Save all warnings and instructions.
- Comply with all applicable laws and regulations.
- The operator and the employer of the operator must know and prevent the risks during operation of the product.
- Do not let a person operate the product unless they read and understand the contents of the operator's manual.

- Do not operate the product unless you receive training before use. Make sure that all operators receive training.
- Do not let a child operate the product.
- Only let approved persons operate the product.
- The operator is responsible for accidents that occur to other persons or their property.
- Do not use the product if you are tired, ill, or under the influence of alcohol, drugs or medicine.
- Always be careful and use your common sense.
- Keep the product clean. Make sure that you can clearly read signs and decals.
- Do not use the product if it is damaged or does not operate correctly.
- Do not do modifications to this product.
- Do not operate the product if it is possible that other persons have done modifications to the product.

### Safety instructions for operation



**WARNING:** Read the warning instructions that follow before you use the product.

- Use personal protective equipment. Refer to *Personal protective equipment on page 6*.
- Do not operate the product without all protective covers installed.
- Make sure that you know how to stop the motor quickly in an emergency.
- Before you go away from the product, stop the motor and disconnect the power cord. Make sure that there is no risk of accidental start.
- Keep hair, loose clothing and all body parts away from openings and moving parts.
- Make sure that you are in a safe and stable position during operation.
- Make sure that there are no loose bolts and nuts.
- Always use approved accessories. Speak to your Husqvarna dealer for more information.
- Make sure that the dust extraction hose is correctly attached to the product with hose clamps and industrial tape.
- Make sure that the parking brakes are engaged and that you are in a safe and stable position during operation.

- Regularly do a check of the contents of the dust storage system at the bottom of the product. Always wear a dust mask when you empty the dust storage system. Comply with the local regulations when you discard the dust.
- Do not point the dust extraction hose at persons.
- Make sure that there is no grease or oil on the handles.
- Do not use the product to collect water or liquids.
- Do not use the product to collect hot, burning or smoking objects.
- Do not use the product to collect flammable or combustible liquids.
- Do not use the product in collect dangerous dust.
- Immediately stop the product if dust comes out the filter unit. The primary filters are damaged or not correctly installed.
- Do not use without dust bag and/or filters in place. Replace the dust bag and filters system as given in this manual.

### Dust safety



**WARNING:** Read the warning instructions that follow before you use the product.

- Operation of the product can cause dust in the air. Dust can cause serious injury and permanent health problems. Silica dust is regulated as harmful by several authorities. These are examples of such health problems:
  - The fatal lung diseases chronic bronchitis, silicosis and pulmonary fibrosis
  - Cancer
  - Birth defects
  - Skin inflammation
- Use correct equipment to decrease the quantity of dust and fumes in the air and to decrease dust on work equipment, surfaces, clothing and body parts. Example of controls are dust collection systems. Decrease dust at the source where possible. Make sure that the equipment is correctly installed and used and that regular maintenance is done.
- Use approved respiratory protection. Make sure that the respiratory protection is applicable for the dangerous materials in the work area.
- Make sure that the airflow is sufficient in the work area.
- It is the responsibility of the user to analyse the surface to be treated. The surface may not contain any substances which could pose a fire-, explosion or health risk when treated. The user should make a risk assessment on the basis of the information obtained about the surface to be treated and take proper precautions for the work to be performed.

### Noise safety



**WARNING:** Read the warning instructions that follow before you use the product.

- High noise levels and long-term exposure to noise can cause noise-induced hearing loss.
- To keep the noise level to a minimum, do maintenance on and operate the product as given in the operator's manual.
- Use approved hearing protection while you operate the product.
- Listen for warning signals and voices when you use hearing protection. Remove the hearing protection when the product is stopped, unless hearing protection is necessary for the noise level in the work area.

### Personal protective equipment



**WARNING:** Read the warning instructions that follow before you use the product.

- Always use approved personal protective equipment when you operate the product. Personal protective equipment cannot fully prevent injury but it decreases the degree of injury if an accident does occur. Let your dealer help you select the correct personal protective equipment and when to use them.
- Regularly do a check of the condition of the personal protective equipment.
- Use approved hearing protection.
- Use approved respiratory protection.
- Use approved eye protection with side protection.
- Use protective gloves.
- Use boots with steel toe-cap and non-slip sole.
- Use approved work clothing or equivalent close-fitting clothing that has long sleeves and long legs.

### Work area safety



**WARNING:** Read the warning instructions that follow before you use the product.

- Do not use the product in fog, rain, strong winds, cold weather, risk of lightning or other bad weather conditions.
- Keep children, bystanders and animals away from the work area and at a distance of minimum 5 m/17 ft. from the product.
- Make sure that only approved persons are in the work area.
- Keep work area clean and well lit. Cluttered or dark areas invite accidents.

- Make sure that rough surfaces, for example welded seams or floor joints, do not stop the product.
- Make sure that there are no cables or hoses in the operation direction of the product.
- Make sure that there is sufficient airflow in the work area.
- Make sure that there are no flammable liquids in the work area.
- This appliance is not suitable for use in classified (hazardous) locations, to pick up dusts or liquids of high explosion risk, nor mixtures of combustible dust with liquids.
- Do not pick up anything that is burning or smoking, such as cigarettes, matches, or hot ashes.
- Do not use to pick up flammable liquids, such as gasoline, or use in areas where flammable vapors may be present.

## Electrical safety



**WARNING:** There is always a risk of shocks from electrical products. Do not use the product in bad weather conditions. Do not touch lightning conductors and metal objects. Always use the product as given in this operator's manual to prevent injury.



**WARNING:** Always use a power supply with RCD (residual-current device). An RCD decreases the risk of electrical shock.



**WARNING:** High voltage. There are unprotected parts in the power unit. Always disconnect the power plug before you open the door to the electrical box.



**CAUTION:** The power supply from the product or generator must be sufficient and constant to make sure that the motor operates without problems. Incorrect voltage causes the power consumption and the temperature of the motor to increase until the safety circuit releases. The dimension of the power cord must agree with national and local regulations. The dimension of the mains socket must agree with the amperage for the electrical socket and extension cable of the product.

If the power mains has higher system resistance, short voltage drop can occur when the product is started. This can influence the operation of other products, for example flicker on the lights.

- The power plug must match the outlet. Never modify the plug in any way. Do not use any adapter plugs with earthed (grounded) power tools. Unmodified

plugs and matching outlets will reduce risk of electric shock.

- Avoid body contact with earthed or grounded surfaces, such as pipes, radiators, ranges and refrigerators. There is an increased risk of electric shock if your body is earthed or grounded.
- Make sure that the power, fuse and mains voltage are the same as the voltage shown on the rating plate of the product.
- Always stop the product before you disconnect the power plug.
- Always disconnect the power plug during a long product stop.
- Do not use the product if the supply cord or power plug is damaged. If the supply cord is damaged, it must be replaced by the manufacturer, its service agent or similarly qualified persons in order to avoid a hazard. A damaged power cord can cause serious injury and death.
- Use the power cord correctly. Do not use the power cord to move, pull or disconnect the product. Pull the power plug to disconnect the power cord. Do not pull the power cord.
- Keep the product away from rain. Water that goes into the product increases the risk of electrical shock.
- Always disconnect the power cord before you connect or disconnect the connection for the motor cable and the electrical enclosure.
- In order to avoid a hazard due to inadvertent resetting of the thermal cut-out, this appliance must not be supplied through an external switching device, such as a timer, or connected to a circuit that is regularly switched on and off by the utility.
- Make sure that the power supply for the product is supplied by separate transformers that are used for industrial purpose only.

## Grounded product instructions



**WARNING:** Incorrect connection can result in electrical shock. Speak to an approved electrician if you are not sure if your mains outlet is correctly grounded.

Do not do modifications to the power plug from its factory specification. If the power plug or power cord is damaged or must be replaced, speak to your Husqvarna service agent. Obey local regulations and laws.

If you do not fully understand the instructions about the grounded product, speak to an approved electrician.

Use only grounded outdoor extension cables with grounding plugs and grounding outlet that accepts the product power plug.

The product has a grounded power cord and power plug. Always connect the product to a grounded mains outlet. This decreases the risk of electrical shock.

Do not use electrical adapters with the product.

### Extension cables

- Use only approved extension cables with applicable properties.
- The rated value on the extension cable must be the same or higher than given on the rating plate of the product.
- Use grounded extension cables.
- When you operate the product outdoors, use an extension cable that is applicable for outdoor operation. This decreases the risk of electrical shock.
- Keep the connection to the extension cable dry and off the ground.
- Keep the extension cable away from heat, oil, sharp edges or moving parts. A damaged cable increases the risk of electrical shock.
- Make sure that the extension cable is in good condition and not damaged.
- Do not use the extension cable while it is wound up. This can cause the extension cable to become too hot.
- Make sure that the extension cable is out of the way and the product during operation. This prevents damage to the extension cable.

### Safety devices on the product



**WARNING:** Read the warning instructions that follow before you use the product.

- Do not use the product if the safety devices are damaged or does not operate correctly.
- Do a check of the safety devices daily. If your safety devices are damaged or does not operate correctly, speak to your Husqvarna service agent.
- Do not make modifications on safety devices

### Emergency stop button

The emergency stop button is used to quickly stop the product and breaks the mains power supply.

#### To do a check of the emergency stop button

Refer to *Control panel overview on page 4* for information about where the emergency stop button is on your product.

1. Turn the emergency stop button clockwise to make sure that the emergency stop button is disengaged.
2. Start the product. Refer to *To start the product on page 11*.
3. Push the emergency stop button.
4. Make sure that the motor stops.
5. Turn the emergency stop button clockwise to disengage.

### Motor protection switch

The product has multiple motor protection switches to prevent motor overload. Let an electrician do a check of the motor protection switches if there is a motor overload.

### Safety instructions for maintenance



**WARNING:** Read the warning instructions that follow before you do maintenance on the product.

- Product related accidents can occur during the troubleshooting, servicing and maintenance as the operator must be in the risk area of the product. The operator must be careful, make a plan and prepare the work to prevent accidents.
- If the maintenance is not done correctly and regularly, the risk of injury and damage to the product increases.
- Use personal protective equipment. Refer to *Personal protective equipment on page 6*.
- Disconnect the product from the power source before you do the maintenance.
- Do not make modifications to the product. Modifications that are not approved by the manufacturer can cause serious injury or death.
- Always use original accessories and spare parts. Accessories and spare parts that are not approved by the manufacturer, can cause serious injury or death.
- Replace damaged, worn or broken parts.
- Only do the maintenance as given in this operator's manual. Let an approved service agent do all other servicing.
- If the replacement of the supply cord is necessary, this has to be done by the manufacturer or his agent in order to avoid a safety hazard.
- Only let an approved electrician do all checks of the electric components.
- Be careful when you handle the filters. If you damage the filters, there is a risk of dust dispersion.
- The manufacturer, or an instructed person, must do a technical inspection at least annually. The technical inspection includes an inspection of the filters for damage, air tightness of the product and correct function of the control mechanism. In addition the filtration efficiency of the product must be tested at least annually, or more frequently as may be specified by national requirements. If the test is not conducted the main filters must be replaced by new ones.
- When carrying out service or repair operations, all contaminated items which cannot be satisfactorily cleaned are to be disposed of; such items shall be disposed of in impervious bags in accordance with any current regulation for the disposal of such waste.
- All the machine parts shall be regarded as contaminated when removed from the working



area and appropriate action taken to prevent dust dispersal.

- The outside of the machine should be decontaminated by vacuum cleaning methods and wiped clean or treated with sealant before being taken out of a working area.
- For user servicing, the machine shall be dismantled, cleaned and serviced, as far as is reasonably practicable, without causing risk to the maintenance

staff and others. Suitable precautions include decontamination before dismantling, provision for local filtered exhaust ventilation where the machine is dismantled, cleaning of the maintenance area and suitable personal protection.

- It is necessary to provide for an adequate AIR CHANGE RATE ACR in the room if the exhaust air is returned to the room. Refere to National regulations.

---

## Operation

---

### Introduction



**WARNING:** Before you operate the product, you must read and understand the safety chapter.

### To do before you operate the product



**WARNING:** To prevent the risk of injury, make sure that you attach the product plug fully to the extension cable. Do regular checks of the connection while you operate the product to make sure that it is fully attached. Do not use an extension cable that makes a loose connection.



**WARNING:** Read the operator's manual of the attached equipment carefully. If specified requirements or settings are given for the secondary product, make sure that you obey these.

1. Read the operator's manual carefully and make sure that you understand the instructions.
2. Do the daily maintenance. Refer to *Maintenance schedule on page 13*.
3. Make sure that the work area is clean and bright.
4. Use personal protective equipment. Refer to *Personal protective equipment on page 6*.
5. Make sure that the product is installed correctly.
6. Make sure that the frequency and voltage shown on the type plate agrees with the power supply voltage. This is also applicable for the extension cables.
7. Disengage the drive system. Refer to *To engage the drive system on page 21*.
8. Engage the parking brake. Refer to *To engage and disengage the parking brake on page 9*.
9. Attach the 2 dust extraction hoses. Refer to *To attach the dust extraction hoses on page 9*.
10. Install a BigBag. Put a pallet below the BigBag.
11. Make sure that the power plug is connected correctly.

### To attach the dust extraction hoses

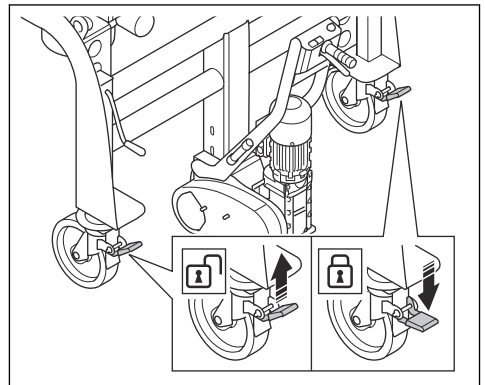
Use antistatic dust extraction hoses with a diameter of 150 mm/6 in.

- Connect the 2 dust extraction hoses with hose clamps and industrial tape.

### To engage and disengage the parking brake

The parking brake must be engaged before you start the product.

1. Push the lock lever down to engage the parking brake.

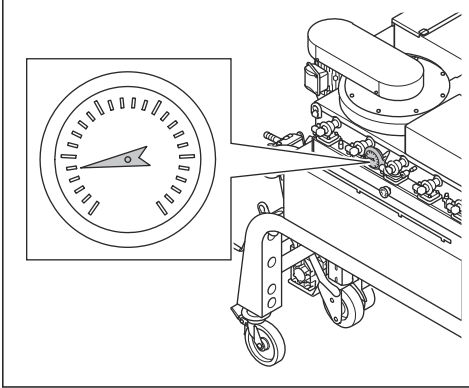


2. To disengage the parking brake, push the lock lever up.

### Vacuum gauge

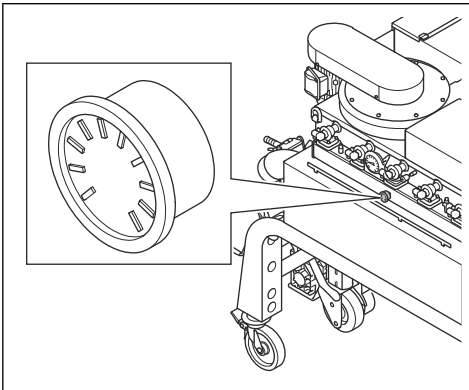
The vacuum gauge shows the condition of the primary filters. If the value on the vacuum gauge is 20 cmH<sub>2</sub>O or higher, it is necessary to clean the primary filters. Refer to *To clean the primary filters on page 15*. If the value on the vacuum gauge is 15 cmH<sub>2</sub>O or higher after you clean the primary filters, it is necessary to replace the

primary filters. Refer to *To replace the primary filters on page 15*.



### Pressure tank manometer

The pressure tank manometer shows the pressure in the pressure tank. The air in the pressure tank cleans the primary filters. The pressure is around 7 bar/100 PSI during operation.



### Water separator

The water separator removes dirt, oil and water from the air.

### To connect a secondary product

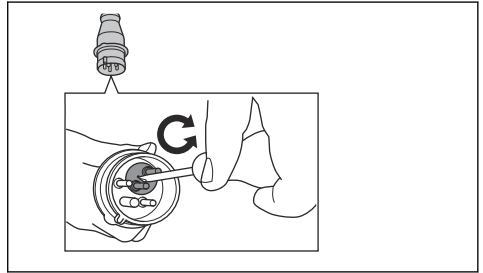
1. Connect the power plug of the secondary product to an applicable power supply.
2. Make sure that the dust extraction hoses between the product and the secondary product are connected with hose clamps and industrial tape.
3. Make sure that the dust extraction hoses are in good condition and can move freely.

### To connect the product to a power source

1. Connect the power plug of the product to a grounded mains outlet or other power source.
2. Make sure that the mains voltage agrees with the type plate on the product.

### To change the phase sequence

1. Stop the product. Refer to *To stop the product on page 11*.
2. Wait until the product is fully stopped.
3. Disconnect the extension cord from the power plug on the product.
4. Turn the inverter switch in the power plug on the product to the opposite position.



5. Connect the power cord and do a check of the control panel. Refer to *Warning indicator of the motor protection and fault power supply on page 10*.

### Warning indicator of the motor protection and fault power supply

The warning indicator of the motor protection comes on when there is a fault in the power supply. The motors cannot start when the indicator is on. Disengage the motor protection to start the motors. Refer to *To disengage the motor protection on page 10*.

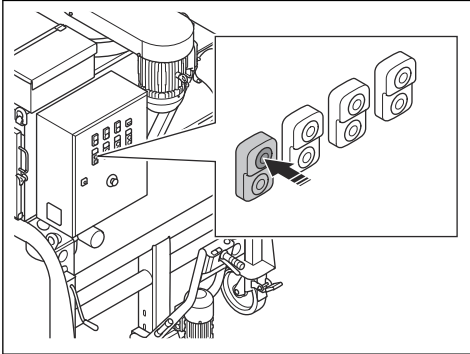
### To disengage the motor protection

1. Change the phases position.
2. Do a check of the warning indicator of the motor protection. If the indicator is still on, the power supply is not correct.
3. Do a check of the motor protection switch in the electrical enclosure.
4. Do a check of the warning indicator of the motor protection. If the indicator is still on, the power supply is not correct.
5. Do a check of all phases with a multimeter. Connect the missing phases.
6. Start the motors. Refer to *To start the product on page 11*.

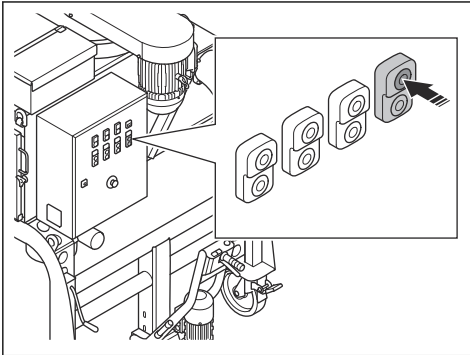
7. Do a check of the warning indicator of the motor protection. If the indicator is still on, speak to your Husqvarna service agent.

## To start the product

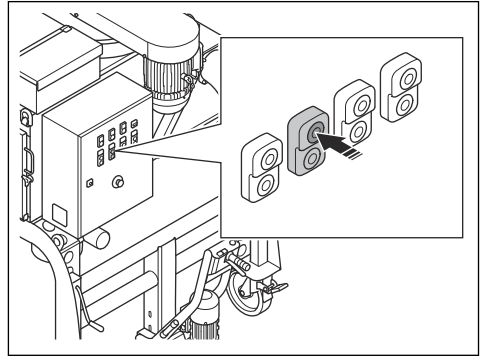
1. Do all steps in *To do before you operate the product on page 9*.
2. Make sure that the 2 airflow hatches are closed.
3. Make sure that the dust extraction hoses between the product and the secondary product are attached correctly.
4. Start the compressor.



5. Start the motor for the rotating valves.



6. Start the fans and wait until the fans are at full speed.



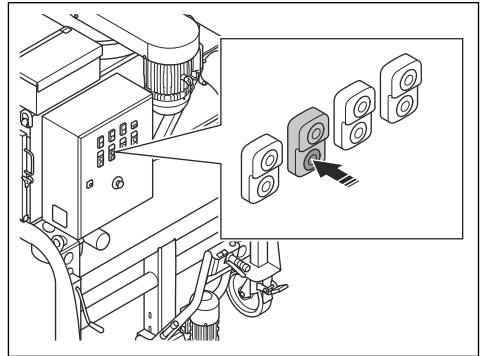
**Note:** The 2 fans do not start at the same time. When the first fan is at full speed, the second fan starts. The airflow hatches open automatically.



**WARNING:** Do not use the drive system when the product is in operation.

## To stop the product

1. If you stop the product temporarily, stop only the fans. The airflow hatches close automatically.



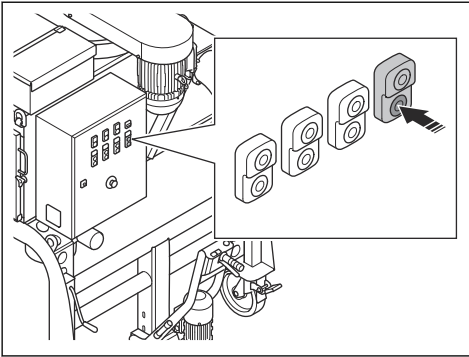
**Note:** When the air compressor is on during a short stop, the product cleans the primary filters.



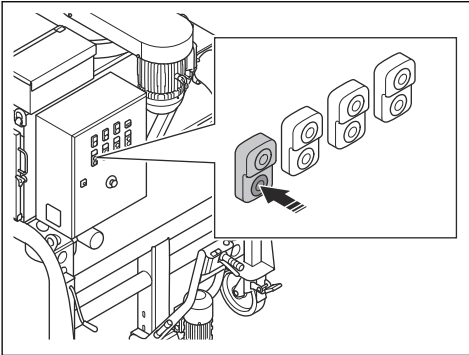
**WARNING:** Make sure that the air intakes are closed during the product cleaning cycle. If the air intakes are not closed, dust goes into the air. The dust particles are dangerous to your health.

2. If you stop the product for more than 1 hour, stop the fans, then do the steps that follow:

a) Stop the motor for the rotating valves.



b) Stop the air compressor.



c) Disconnect the power plug from the power supply.

## To discard a full BigBag and install a new BigBag bag

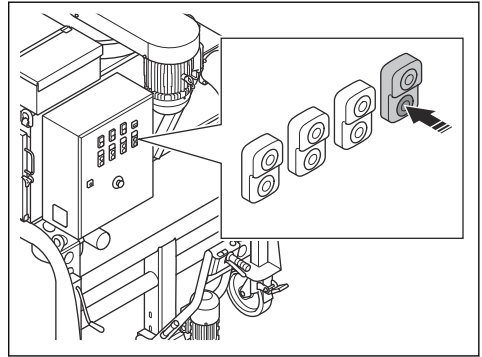


**WARNING:** Lift the BigBag with caution. Use lifting equipment. A full BigBag can be heavy. Make sure that the straps are closed correctly before you lift the BigBag.

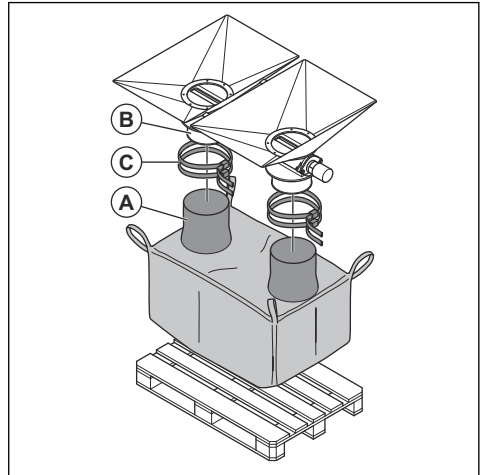


**WARNING:** Use approved respiratory protection when you replace the BigBag. Refer to *Personal protective equipment* on page 6.

1. Stop the motor for the rotating valves.

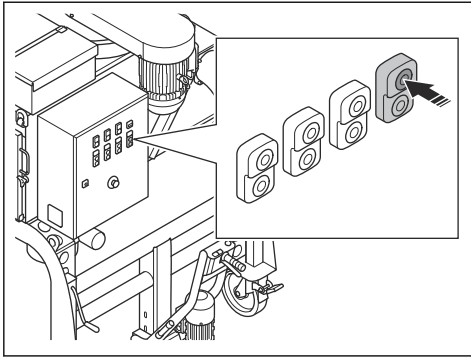


2. Remove the funnels of the BigBag from the dust outlets and close them.
3. Remove the pallet and the BigBag from the product.
4. Obey local regulations for disposal of the full BigBag bag.
5. Put a new pallet and new BigBag below the product.
6. Install the funnels of the BigBag (A) on the dust outlets (B).



7. Attach the funnels of the BigBag on the dust outlets with straps (C).
8. Make sure that the BigBag sits evenly on the pallet.

9. Start the motor for the rotating valves.

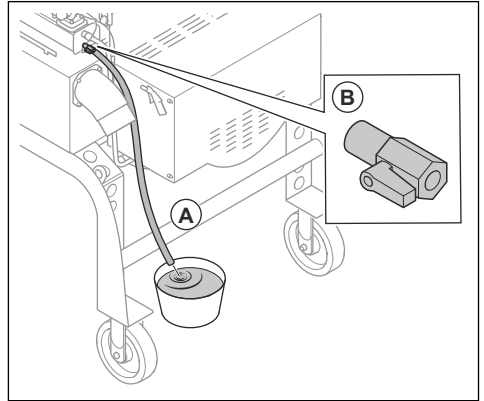


## To drain the water from the pressure tank

Water in the pressurized air collects in the pressure tank. It is necessary to drain the water from the pressure tank daily.

1. Stop the product. Refer to *To stop the product on page 11*.

2. Put a container below the water extraction hose (A) to collect the water.



3. Open the water valve (B).  
4. Close the water valve when all the water is drained.

# Maintenance

## Introduction



**WARNING:** Read and understand the safety chapter before you do maintenance on the product.

X = The instructions are given in this operator's manual.

O = The instructions are not given in this operator's manual. Let an approved service agent do the maintenance.

## Maintenance schedule

\* = General maintenance done by the operator. The instructions are not given in this operator's manual.

General product maintenance	Daily	Weekly	Monthly	12 h after servicing	Each 3 months	Yearly
Make sure that the power plug and extension cable are in good condition and not damaged.	*					
Do a check of the electrical components, the cables and the connections for wear and damages.	*					
Do a check of the RCD.	*					
Examine the motors for dirt and damage.	*					
Empty the drain box.	*					
Make sure that the dust extraction hoses are not damaged or blocked.	*					
Drain the water from the pressure tank.	X					

General product maintenance	Daily	Weekly	Monthly	12 h after servicing	Each 3 months	Yearly
Make sure that the dust extraction hoses are correctly installed.	X					
Dispose dust from the product.	X					
Do a check of all safety devices.	X					
Clean the air compressor filters. Replace if it is necessary.		X				
Make sure that there is no dust leakage at the rotating valve seals.		X				
Make sure that the noise level from the bearings of the rotating valves is not unusually high.			*			
Examine the drive motor of the rotating valves for oil leakage.			*			
Make sure that the rotating valve blades are not worn and that there is no air leakage. Replace if it is necessary.			X			
Make sure that nuts and screws are tight.				*		
Clean the filter of the water separator. Replace if it is necessary.					X	
Do a check of the V-belt tension.					X	
Replace the air compressor filters.					X	
Replace the filter of the water separator.						X
Clean the top section of the filter unit.					O	
Do a complete servicing and cleaning of the product.						O

## To clean the product

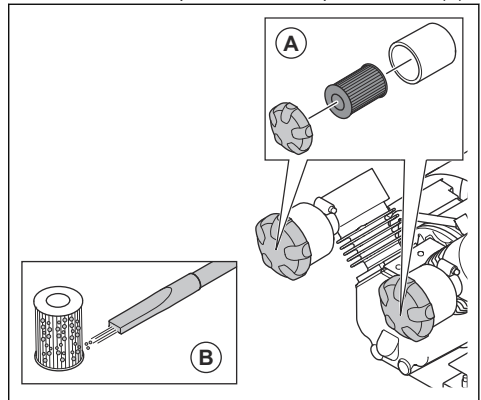
- Always clean all the equipment after use. Use a vacuum cleaner.
- Do not use a high-pressure washer to clean the product.
- Keep the air openings clean and clear to make sure that the product always has sufficiently cool temperature.

## To clean the compressor filters



**CAUTION:** Do not use a high-pressure washer or water to clean the compressor filters. Do not hit the filters with force to clean them. Do not use pressurized air to clean the compressor filters.

1. Remove the 2 caps and the 2 compressor filters (A).



2. Clean the 2 compressor filters with a small dust extractor (B).

3. Install the 2 compressor filters and close the 2 caps.

If you cannot fully clean the compressor filters or if they are damaged, it is necessary to replace them.

## To clean the filter in the water separator

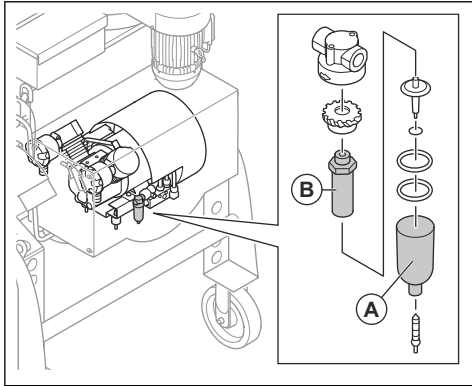


**CAUTION:** Do not use a high-pressure washer to clean the filter. Do not hit the filter with force to clean it.

1. Remove the filter in the water separator. Refer to *To replace the filter in the water separator on page 15*.
2. Clean the filter with warm water.
3. Dry the filter with pressurized air.
4. Install the filter. Refer to *To replace the filter in the water separator on page 15*.

## To replace the filter in the water separator

1. Stop the product. Refer to *To stop the product on page 11*.
2. Remove the bowl of the water separator (A).



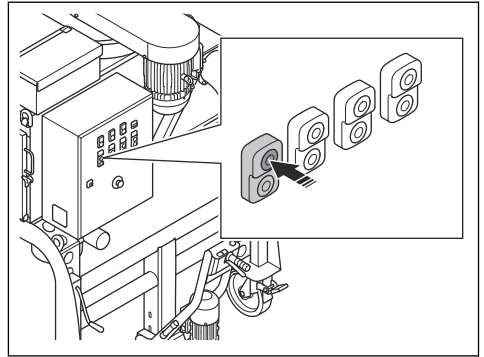
3. Replace the filter of the water separator (B).
4. Install the bowl of the water separator (A).

## To clean the primary filters

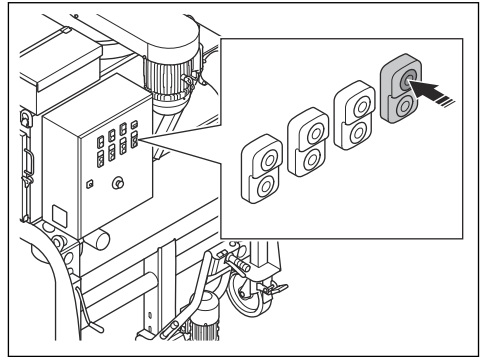


**WARNING:** Always close off the air intake when the pulse cleaning cycle runs. If the air intake is not closed, dust can come in to the air. The dust particles are dangerous to your health.

1. Start the compressor.



2. Start the motor for the rotating valves.



3. Keep the air compressor on for 30 minutes while the product is not in operation. Pressurized air goes through the primary filters and cleans them.

## To replace the primary filters

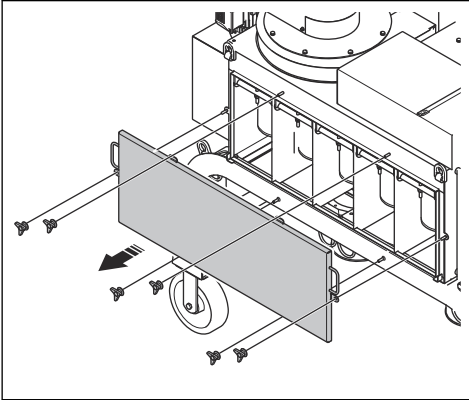


**WARNING:** Always use personal protective equipment when you replace the primary filters. Refer to *Personal protective equipment on page 6*.

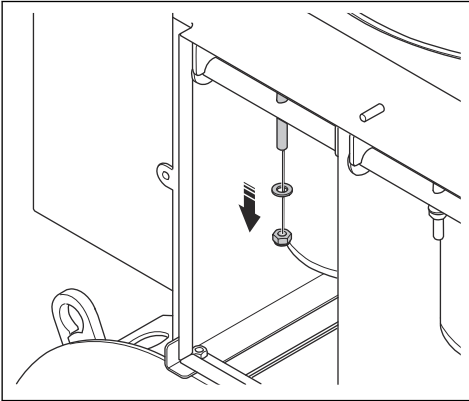
There are 20 primary filters in the product. Replace all filters at the same time.

1. Stop the product. Refer to *To stop the product on page 11*.

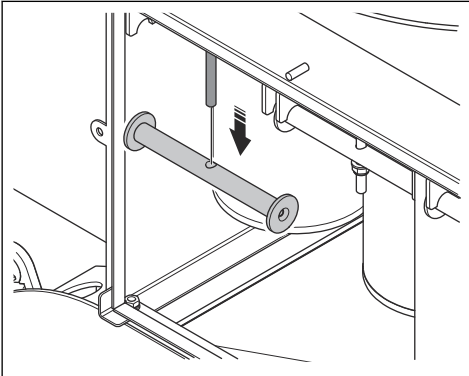
2. Remove the 6 locking knobs and the cover of the filter housing.



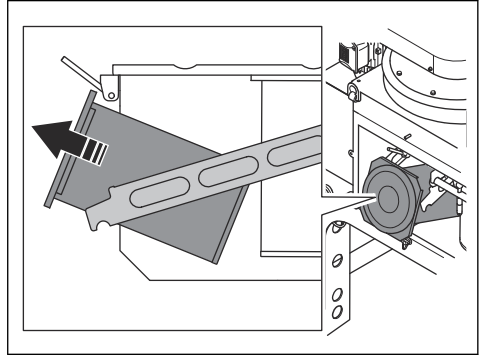
3. Remove the nut and washer.



4. Remove the lock bar and tilt the filter brackets down.

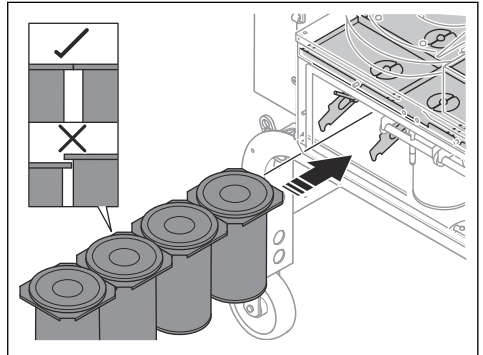


5. Pull out the 4 primary filters and put them carefully in a plastic bag.



**WARNING:** Be careful when you remove the primary filters. The particles in the primary filters are dangerous to your health.

6. Discard the plastic bag correctly. Refer to local regulations.
7. Push 4 new primary filters on the filter brackets in to the filter housing. Install 1 filter at a time. Make sure that you do not put the edges of the primary filters on top of each other.



**WARNING:** If the primary filters are not installed correctly, dust can go into the air. The dust particles are dangerous to your health.

8. Install the lock bar.
9. Install the washer and nut. Make sure that there is no space between the washer and the nut.



**CAUTION:** The nut and washer must be correctly installed on the screw that holds the lock bar. Dust in the filter housing can cause damage to the threads on the screw.



10. Do the same replacement procedure on the other 4 rows of primary filters.
11. Install the cover of the filter housing and the 6 locking knobs.

## To do a check of the V-belt tension

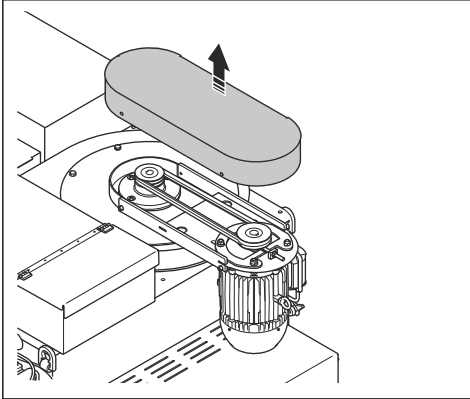


**WARNING:** Only remove the V-belt covers when the product is disconnected from the mains outlet and the motors are fully stopped.

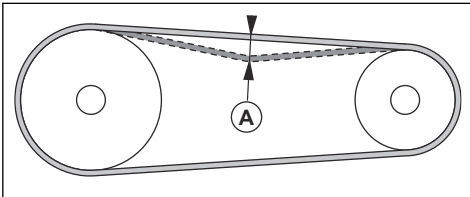


**WARNING:** Do not operate the product without the V-belt covers installed.

1. Stop the product. Refer to *To stop the product on page 11*.
2. Remove the V-belt covers.

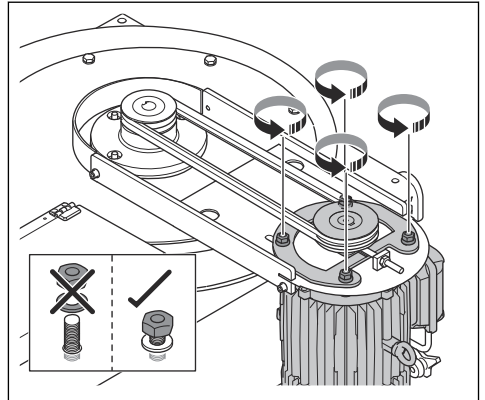


3. Examine the V-belts for damages and wear. Replace the V-belts if it is necessary.
4. Push the V-belts with your thumb to examine the tension. If you can push the V-belts a distance of 10–15 mm/0.4–0.6 in. (A), the tension is correct.

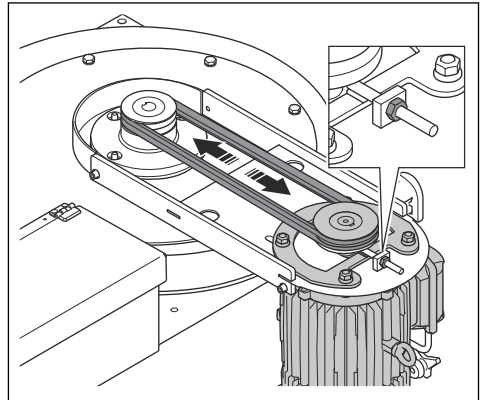


5. Do the steps that follow to adjust the V-belt tension if it is necessary.

- a) Loosen the 4 nuts.



- b) Increase the distance between the motor and the bearing to increase the V-belt tension. Decrease the distance to loosen the V-belts.



- c) Tighten the 4 nuts.

6. Install the V-belt covers.

## To replace the V-belts



**WARNING:** Only remove the V-belt cover when the product is disconnected from the mains outlet and the motor has fully stopped.



**WARNING:** Do not operate the product without the V-belt cover installed.

1. Stop the product. Refer to *To stop the product on page 11*.
2. Remove the V-belt cover. Refer to *To do a check of the V-belt tension on page 17*.

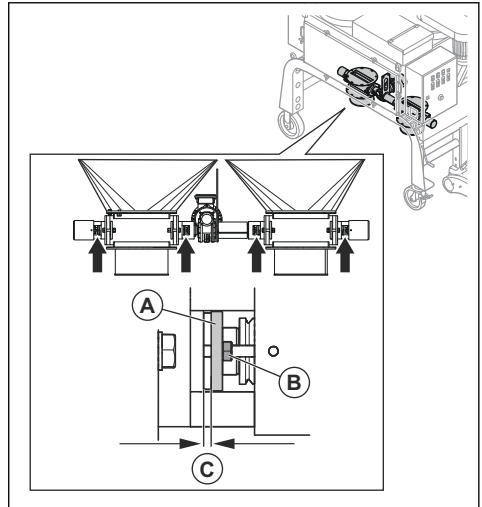
3. Decrease the distance between the motor and the bearing to release the tension of the V-belts.
4. Remove the V-belts and install the new V-belts.
5. Increase the distance between the motor and the bearing to apply tension to the V-belts. Refer to *To do a check of the V-belt tension on page 17.*
6. Install the V-belt cover.

7. Install the chain cover.

## To adjust the gland seals of the rotating valves

If there is a leakage of dust at the gland seals, it is necessary to tighten the gland seals. There are gland seals on each side of the 2 rotating valves.

1. Stop the product. Refer to *To stop the product on page 11.*
2. Make sure that the bushings (A) are vertical and not at an angle.



3. Tighten the nuts (B) a half turn.



**CAUTION:** Do not tighten the nuts too much. The gland seals can become damaged.

4. Make sure that the distance (C) is the same on the left and the right side.
5. Start the product and make sure that there is no leakage of dust at the gland seals.

## To replace the rotating valve seals



**WARNING:** Use approved respiratory protection when you replace the rotating valve seals. Refer to *Personal protective equipment on page 6.*

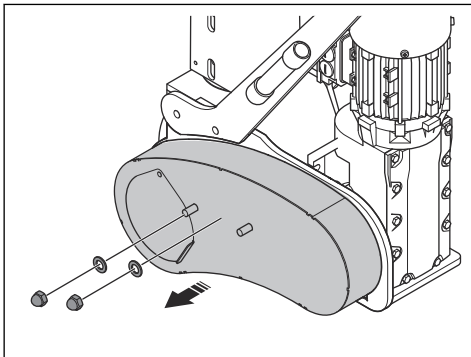
1. Stop the product. Refer to *To stop the product on page 11.*
2. Make sure that the power supply is disconnected.

## To do a check of the chain tension of the drive system

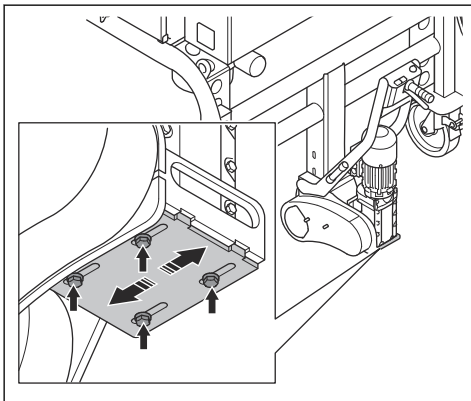


**WARNING:** Do not operate the product without the chain cover installed.

1. Stop the product. Refer to *To stop the product on page 11.*
2. Remove the chain cover.

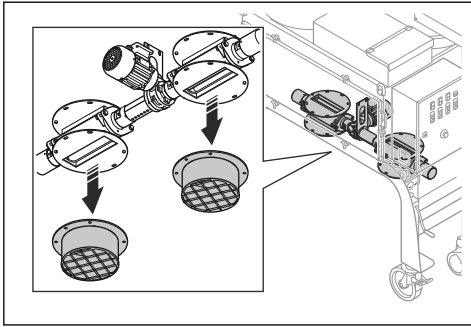


3. Push the chain to examine the tension. If you can push the chain a distance of 5 mm/0.2 in., the tension is correct.
4. Loosen the nuts.

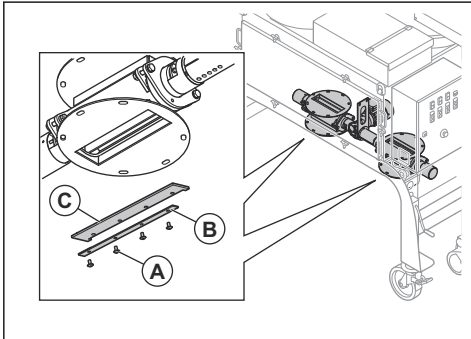


5. Move the chain wheel to adjust the tension.
6. Tighten the nuts.

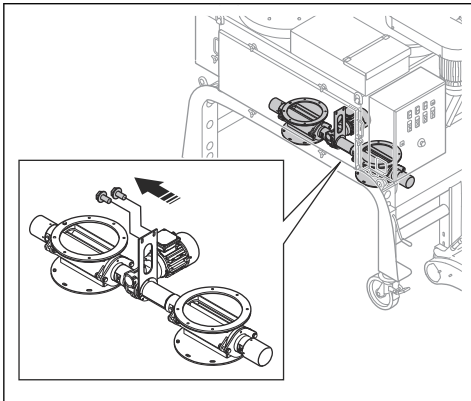
3. Remove the BigBag and remove the dust outlets.



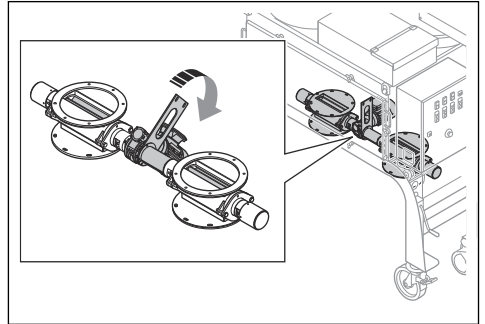
4. Remove the 4 bolts (A), the clamp strip (B) and the sealing blade (C) of the rotating valve seal.



5. Remove the 2 bolts on the drive motor plate.



6. Turn the drive motor to until you can remove the next set of sealing blades.



7. Do the same procedure until all sealing blades are removed.

8. To install new sealing blades, do these steps for each set of sealing blades:

- Apply threadlocker on 4 new bolts.
- Install a new sealing blade, the clamp strip and the 4 bolts.
- Tighten the 2 bolts in the center first, then tighten the bolts at each end of the clamp strip.

9. Make sure that the sealing blade aligns with the housing of the rotating valve and that there is a minimum clearance.

## Troubleshooting

Problem	Cause	Solution
The filter cleaning system does not operate correctly.	There is no pressure or not sufficient pressure in the pressure tank.	Do a check of the pneumatic system.  Clean the compressor filter. Refer to <i>To clean the compressor filters on page 14</i> .
	There is too much water in the pressure tank.	Remove all water from the pressure tank. Refer to <i>To drain the water from the pressure tank on page 13</i> .
	The Programmable Logic Controller (PLC) does not operate correctly or the settings are incorrect.	Speak to an approved service agent.
	The compressor filters are dirty.	Clean the compressor filters. Refer to <i>To clean the product on page 14</i> .
	The BigBag is not attached correctly or has a leak.	Make sure that the BigBag is attached correctly and does not have a hole.
The motors are on but there is no suction.	The primary filters are dirty.	Clean the primary filters. Refer to <i>To clean the primary filters on page 15</i> . Replace the primary filters if it is necessary. Refer to <i>To replace the primary filters on page 15</i> .
	There is a leakage in the dust collection system.	Do a check of the seals in the dust collection system for leakages. Replace if it is necessary.
	The dust extraction hoses are incorrectly installed or damaged.	Do a check of the dust extraction hoses. Replace if it is necessary.
	The tension of the V-belts is incorrect.	Do a check of the tension of the V-belts.
The indicator for phase sequence control is on.	The phases are incorrect.	Change the phase sequence. Refer to <i>To change the phase sequence on page 10</i> .
The indicator for motor failure is on.	The motor protection switch releases because of motor overload.	Make sure that you use the correct power supply.
		Let an electrician do a check of the fault.
Dust comes out in the air from the airflow hatches.	The primary filters are damaged or incorrectly installed.	Do a check of the primary filters. Replace if it is necessary, refer to <i>Introduction on page 9</i> .
Unusual noises come from the product.	There are loose screws and nuts.	Tighten all screws and nuts.
	There is a fault with the bearings.	Speak to an approved service agent.
	The airflow hatches are damaged.	Do a check of the airflow hatches. Replace if it is necessary.

Problem	Cause	Solution
The pressure in the pressure tank is less than 7 bar.	The filter for the water separator is dirty or damaged.	Clean the filter for the water separator. Replace if it is necessary.
	The compressor filters are dirty or damaged.	Clean the compressor filters. Replace if it is necessary.
	There is a leakage in the tubes.	Speak to an approved service agent.
	The control valve is damaged.	Speak to an approved service agent.
	The pneumatic system is damaged.	Do a check of the pneumatic system.

## Transportation, storage and disposal

### Transportation



**WARNING:** Be careful during transportation. The product is heavy and can cause injury or damage if it falls or moves during transportation.



**CAUTION:** Do not tow the product behind a vehicle.

- Make sure that the electrical cable and dust extraction hose are disconnected before transportation. Close the air intake when the dust extraction hose is disconnected.
- Remove the collected dust before transportation.
- The wheels let you move the product shorter distances. For longer distances, lock the wheels and lift the product to move it or put the product on a vehicle.
- Put some type of protection on the product during transportation. The protection keeps rain and snow away from the product.
- Make sure that there is no pressure in the pressure tank before transportation.
- Use the drive system for transportation only when all other functions are off.

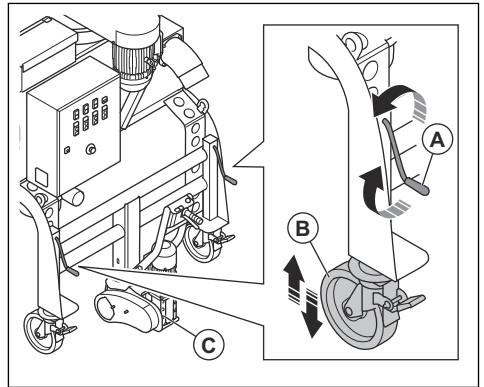
### To engage the drive system



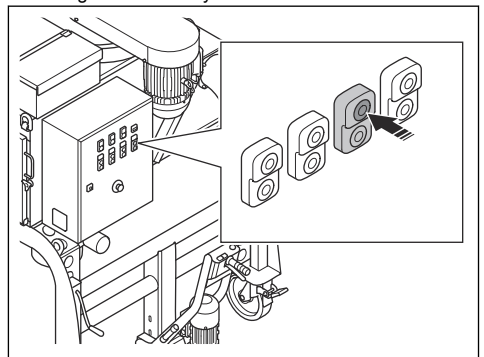
**WARNING:** Keep your hands away from rotating parts. Be very careful when you attach the quick-release pin.

Install the quick-release pin to engage the drive system. The quick-release pin is found adjacent to the drive system.

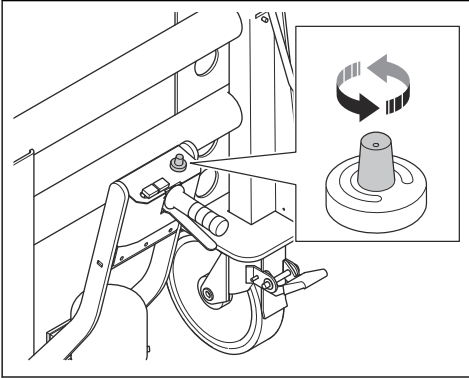
1. Turn the height adjustment handles (A) to lower the casters (B) until the drive system (C) is off the ground.



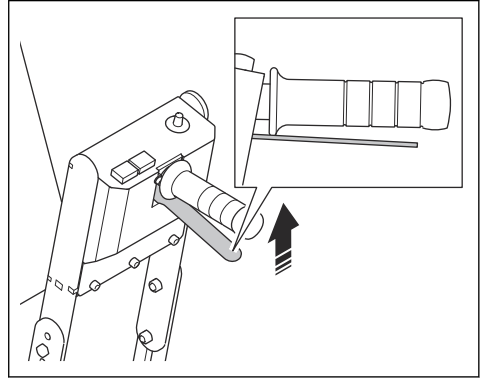
2. Energize the drive system.



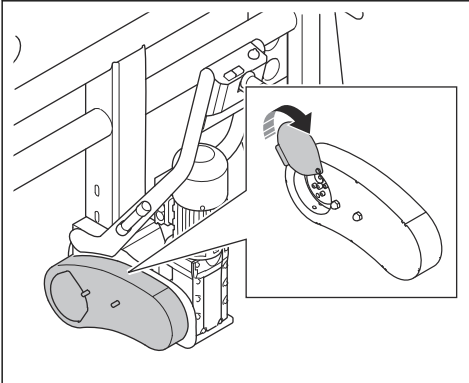
3. Set the drive speed to the lowest possible, approximately 0.5.



6. Use your other hand to operate the drive system lever.

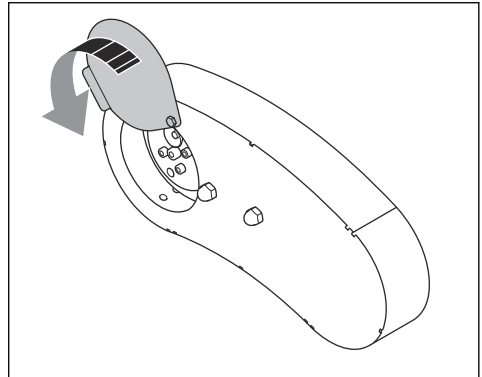


4. Open the drive chain cover.

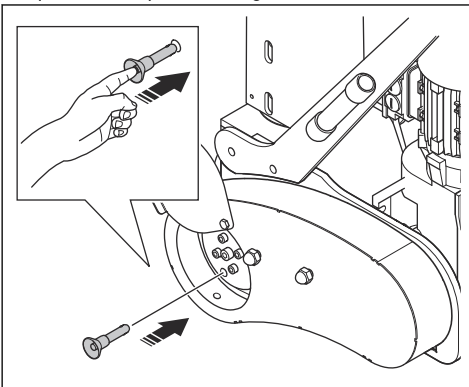


The quick-release pin locks into position when the drive system is engaged.

7. Close the drive chain cover.



5. Install the quick-release pin. Push and hold the quick-release pin with a finger.



8. Turn the height adjustment handles to lift the casters until the drive system is on the ground.  
9. To disengage the drive system, refer to *To disengage the drive system on page 22.*

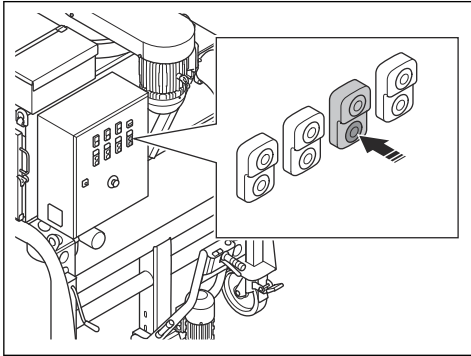
## To disengage the drive system



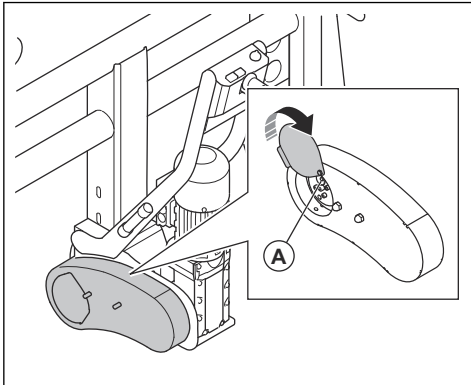
**CAUTION:** Only disengage the drive system when the product is parked on level surface.

If it is necessary to move the product manually with the motor off, the drive system must be disengaged.

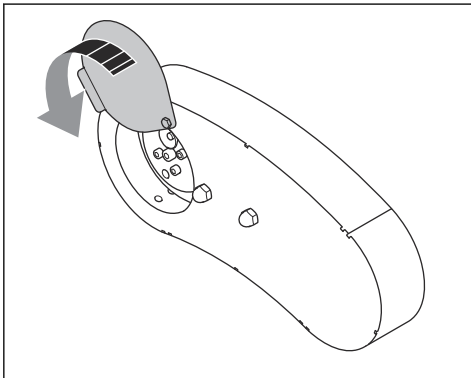
1. Park the product on level surface and de-energize the drive system.



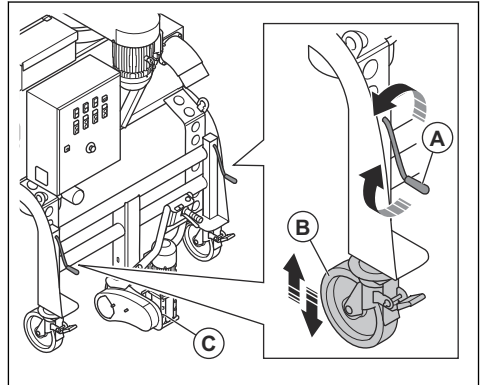
2. Disconnect the power supply.
3. Open the drive chain cover.



4. Pull out the quick-release pin (A).
5. Put the quick-release pin in the storage position.
6. Close the drive chain cover.



7. Turn the height adjustment handles (A) to lower the casters (B) until the drive system (C) is off the ground.



### To move the product with the drive system



**WARNING:** The product is heavy and there is a risk of injury if the product falls. Be careful when you move the product.



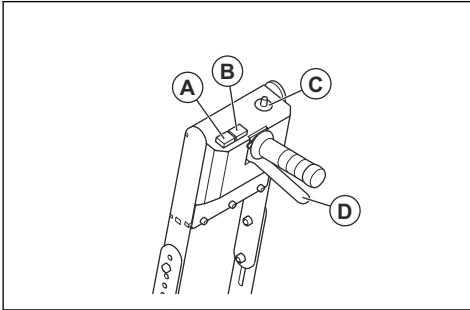
**WARNING:** Do not move the product during operation.



**WARNING:** Use protective boots with steel toe-cap and non-slip sole.

1. Make sure that the pallet and the BigBag are removed.
2. Engage the drive system. Refer to *To engage the drive system on page 21*.
3. Make sure that the parking brake is disengaged. Refer to *To engage and disengage the parking brake on page 9*.

- Set and adjust the movement speed with the speed control dial (C).



- Push and hold the drive system lever (D) to move the product rearward.
- Push and hold the overdrive button (A) to move at maximum speed.
- Push and hold the forward button (B) to move the product forward.

## To move the product up and down a ramp



**WARNING:** Be very careful when you move the product up and down ramps. The product is heavy and there is a risk of injury if the product falls or moves too quickly.



**WARNING:** For ramps with a steep slope, always use a winch. Do not walk or stay below or near the product.

- To move the product down a ramp, operate the product forward slowly.
- To move the product up a ramp, operate the product rearward slowly.
- Do not turn the product to the left or to the right more than 45° on a ramp.

## To lift the product



**WARNING:** Make sure that the lifting equipment has the correct specification to lift the product safely. The type plate on the product shows the product weight.

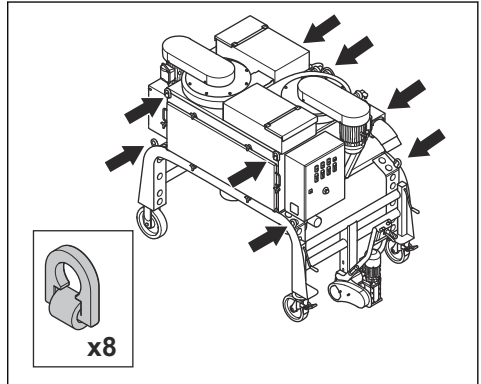


**WARNING:** Do not walk or stay below or near a lifted product. Keep bystanders away from the work area.



**WARNING:** Do not lift a damaged product. Make sure that the lifting eyes are correctly installed and not damaged.

- Remove the BigBag from the product.
- Put straps through the 8 lifting eyes and use lifting equipment to lift the product.



- Lift the product slowly.

## To attach the product to a transportation vehicle

Use the lifting eyes to attach the product to the transportation vehicle.

- Attach the tie-down straps in the lifting eyes.
- Attach and tighten the tie-down straps to the transportation vehicle.

## Storage



**CAUTION:** Do not put the product in storage outdoors. Always keep the product indoors.

- Keep the product in a dry and frost-free area.
- Clean the product and do a complete servicing before you put the product in storage.
- Keep the product in a locked area to prevent access for children or persons that are not approved.
- Remove dust from the dust collector.

## Disposal of the product

- Obey the local recycling requirements and applicable regulations.
- When the product no longer is used, send it to a Husqvarna dealer or discard it at a recycling location.



---

## Technical data

---

	DC 2-48	DC 2-48
Rated power, W	18370	18740
Rated voltage, V	400	480
Rated frequency, Hz	50	60
Rated current, A	32	30
Cable length, m/ft.	25/82	25/82
Power cable type	4×6 mm <sup>2</sup>	4×10AWG
Max. airflow, m <sup>3</sup> /h	4400	4400
Max. under pressure, mbar	64	64
Max. cleaning gradeability, deg/%	10/18	10/18
Weight, kg/lb	1107/2441	1107/2441
Operation temperature °C/°F	-10–45/14–113	-10–45/14–113
Diameter dust hose connection, mm/in.	2×150/2×6	2×150/2×6

---

**Note:** If your product requires an electrical specification that is not in the table, speak to a Husqvarna service agent for more information.

---

### Noise emissions

Sound pressure level at the operator's ear, LP dB (A) <sup>1</sup>	85
Sound power level, measured LWA dB (A) <sup>2</sup>	101

### Noise and vibration declaration statement

These declared values were obtained by laboratory type testing in accordance with the stated directive or standards and are suitable for comparison with the declared values of other products tested in accordance with the same directive or standards. These declared

values are not suitable for use in risk assessments and values measured in individual work places may be higher. The actual exposure values and risk of harm experienced by an individual user are unique and depend upon the way the user works, in what material the product is used, as well as upon the exposure time and the physical condition of the user, and the condition of the product.

---

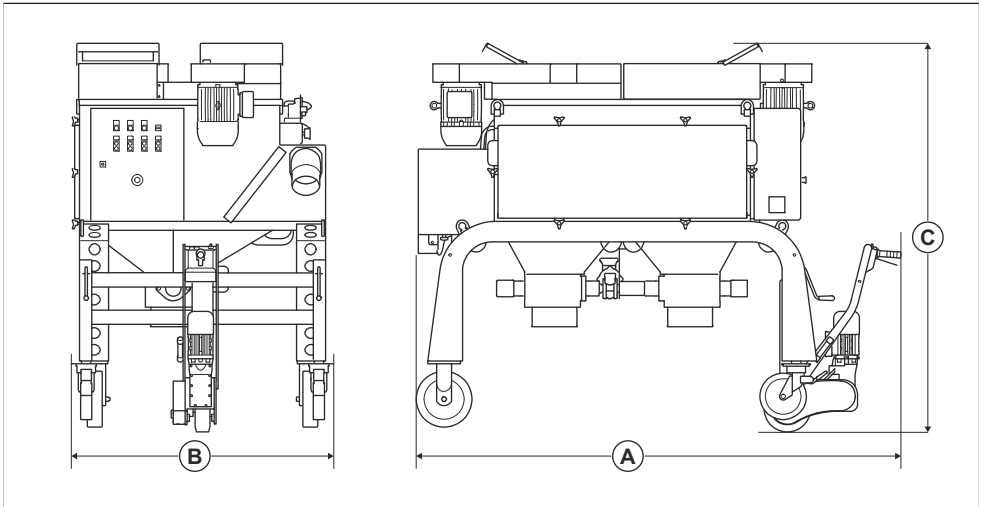
<sup>1</sup> Sound pressure level determined according to EN ISO 11202. Measured on concrete surface. Uncertainty Kpa 2.5 dB.

<sup>2</sup> Sound power level determined according to EN ISO 3747. Measured on concrete surface. Uncertainty Kwa 2.5 dB.

## Extension cables

Cable length	Cross section			
	≤ 16 A	≤ 32 A	≤ 63 A	≤ 125 A
Calculated at a pre-fuse GG <sup>3</sup> :	16 amp	32 amp	63 amp	125 amp
> 20m	1.5 mm <sup>2</sup>	2.5 mm <sup>2</sup>	10 mm <sup>2</sup>	25 mm <sup>2</sup>
20m > 50m	2.5 mm <sup>2</sup>	4 mm <sup>2</sup>	10 mm <sup>2</sup>	25 mm <sup>2</sup>
50m > 75m	4 mm <sup>2</sup>	6 mm <sup>2</sup>	16 mm <sup>2</sup>	35 mm <sup>2</sup>

## Product dimensions



<b>A</b>	Length, mm/in.	2293/90
<b>B</b>	Width, mm/in.	1410/56
<b>C</b>	Height, mm/in.	1956/77

<sup>3</sup> The cross sections must be re-calculated when other type or dimension pre-fuse are used than is given.

---

## Accessories

---

Available accessory	Item number
Primary filter cartridge M-class	533969201
BigBag 385 l	533993301

---

# Declaration of Conformity

---

## EU Declaration of Conformity

We, Husqvarna AB, SE-561 82 Huskvarna, Sweden, tel:  
+46- 36-146500, declare on our sole responsibility that  
the product:

Description	Dust collector
Brand	Husqvarna
Type/Model	DC 2-48
Identification	Serial numbers dating from 2023 and onwards

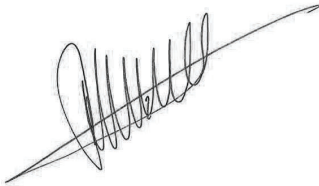
complies fully with the following EU directives and  
regulations:

Directive/Regulation	Description
2006/42/EC	"relating to machinery"
2014/30/EU	"relating to electromagnetic compatibility"

and that the following standards and/or technical  
specifications are applied;

EN ISO 12100:2010, EN 60204-1:2006

Partille, 2023-05-01



René van der Grint

Director CS&F INFRA, Product Category Concrete  
Surfaces & Floors

Husqvarna AB, Construction Division

Responsible for technical documentation



---

## Inhalt

---

Einleitung.....	29	Transport, Lagerung und Entsorgung.....	49
Sicherheit.....	32	Technische Daten .....	54
Betrieb.....	37	Zubehör.....	56
Wartung.....	41	Konformitätserklärung.....	57
Fehlersuche.....	48		

---

## Einleitung

---

### Gerätebeschreibung

Bei dem Gerät handelt es sich um einen Staubabscheider, der von Elektromotoren betrieben wird. Der Staub gelangt durch Staubabsaugschläuche in die Staubeinlässe. Das Gerät sammelt die Staubpartikel in der Luft.

### Verwendungszweck

---



**WARNUNG:** Saugen sie keine Zündquellen, heißen Partikel, Flüssigkeiten,

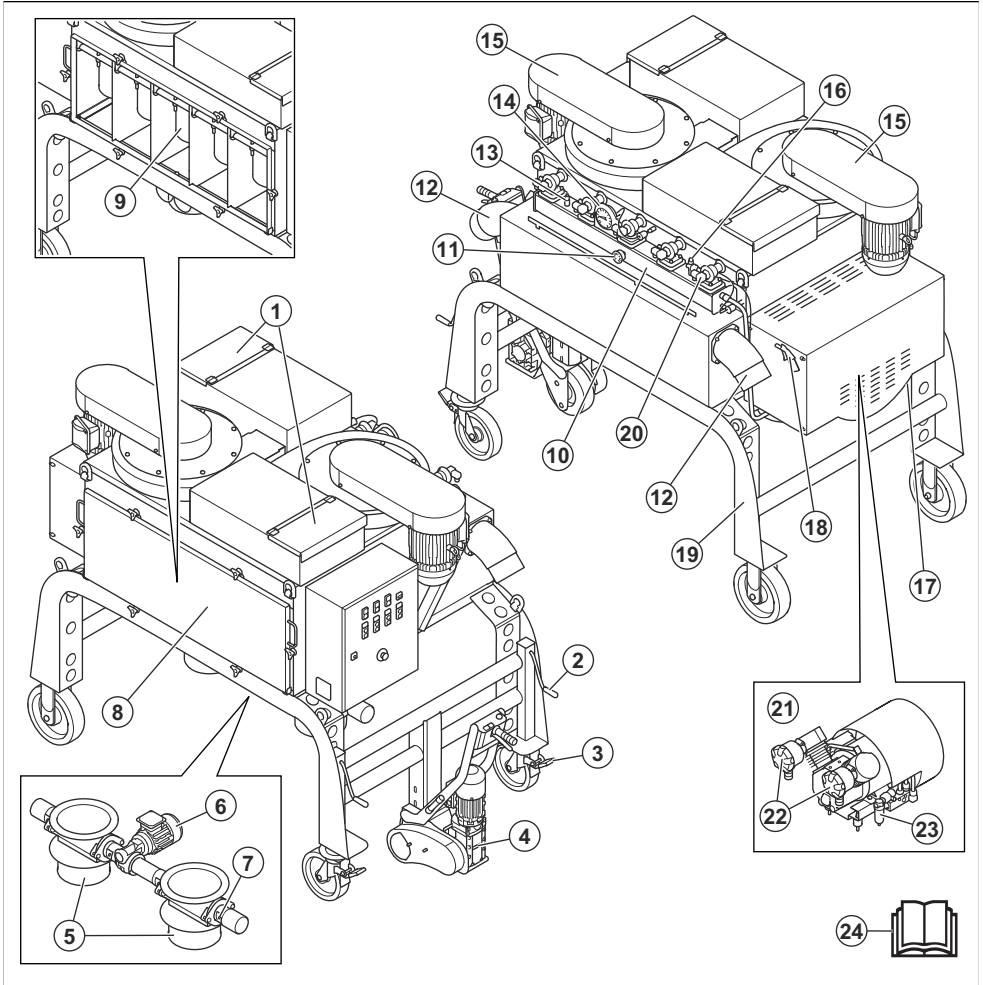
explosiven Materialien und instabile oder pyrophorische Partikel auf.

---

Das Gerät ist nur für professionelle Einsätze bestimmt. Das Gerät ist für den Einsatz im Innen- und Außenbereich unter trockenen Bedingungen zusammen mit einer geeigneten Husqvarna Kugelstrahlmaschine vorgesehen. Das Gerät wird für die Trockenabsaugung von Staub und Partikeln aus dem Material verwendet, das von der Kugelstrahlmaschine entfernt wurde. Das Material kann gefährlich und gesundheitsschädlich sein.

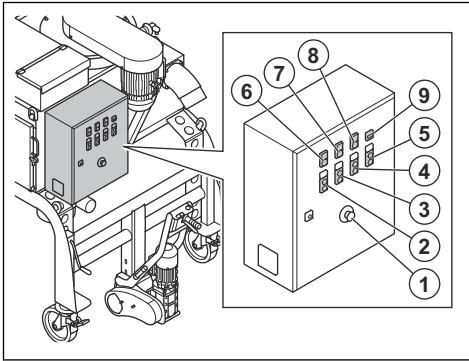
Verwenden Sie das Gerät nicht für andere Aufgaben. Verwenden Sie das Gerät nur mit Zubehörteilen, die vom Hersteller genehmigt sind.

# Geräteübersicht



- |   |   |
|---|---|
| 1. Luftstromklappen                             | 13. Sicherheitsventil für den Druckbehälter |
| 2. Handgriff zur Höheneinstellung der Laufrolle | 14. Unterdruckmesser                        |
| 3. Feststellbremse                              | 15. Lüftereinheiten                         |
| 4. Antriebssystem mit Schnellverschlusspin      | 16. Steuerventil für den Druckbehälter      |
| 5. Drehventile                                  | 17. Auffangbehälter                         |
| 6. Antriebsmotor für die Drehventile            | 18. Spritze für Druckluft                   |
| 7. Einstellmutter für die Stopfbuchse           | 19. Typenschild                             |
| 8. Filterklappe                                 | 20. Impulsventil                            |
| 9. Primärfilter                                 | 21. Luftkompressor                          |
| 10. Druckbehälter                               | 22. Luftkompressorfilter                    |
| 11. Manometer                                   | 23. Wasserabscheider                        |
| 12. Lufteinlässe                                | 24. Bedienungsanleitung                     |

## Überblick über die Bedientafel



1. Not-Aus-Taste
2. ON/OFF-Taste des Luftcompressors
3. ON/OFF-Taste des Lüfters
4. ON/OFF-Taste des Antriebssystems
5. ON/OFF-Taste des Drehventils
6. Anzeige für falsche Phase
7. Anzeige für Motorschutz
8. Betriebsanzeige
9. Betriebsstundenzähler

## Symbole auf dem Gerät



Warnung: Dieses Gerät kann gefährlich sein und schwere oder tödliche Verletzungen des Bedieners oder anderer Personen verursachen. Gehen Sie vorsichtig vor, und verwenden Sie das Gerät ordnungsgemäß.



Hochspannung.



Aufnahmepunkt.



Kein Aufnahmepunkt.



Halten Sie die Hände von rotierenden Teilen fern.



Lesen Sie die Bedienungsanleitung sorgfältig durch, und machen Sie sich mit den Anweisungen vertraut, bevor Sie das Gerät verwenden.



Tragen Sie einen zugelassenen Atemschutz.



Tragen Sie einen zugelassenen Gehörschutz.



Tragen Sie einen zugelassenen Augenschutz.



Tragen Sie zugelassene Schutzhandschuhe.



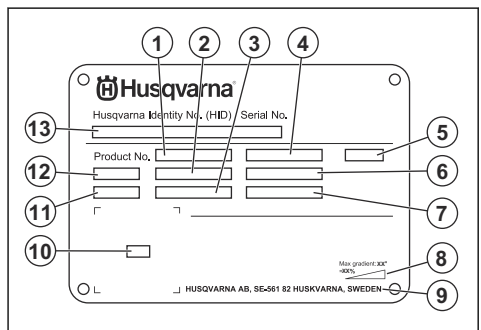
Tragen Sie zugelassene Schutzstiefel.



Dieses Gerät entspricht den geltenden EU-Richtlinien.

**Hinweis:** Sonstige Symbole/Aufkleber auf dem Gerät beziehen sich auf spezielle Zertifizierungsanforderungen, die in bestimmten Ländern gelten.

## Typenschild



1. Gerätenummer
2. Gerätegewicht
3. Nennleistung

4. Nennspannung
5. Gehäuse
6. Nennstrom
7. Häufigkeit
8. Maximaler Neigungswinkel
9. Hersteller
10. Scanbarer Code
11. Baujahr
12. Modell
13. Seriennummer

- das Gerät nicht ordnungsgemäß repariert wird.
- das Gerät mit Teilen repariert wird, die nicht vom Hersteller stammen oder nicht vom Hersteller zugelassen sind.
- ein Zubehöerteil mit dem Gerät verwendet wird, das nicht vom Hersteller stammt oder nicht vom Hersteller zugelassen ist.
- das Gerät nicht bei einem zugelassenen Service Center oder von einem zugelassenen Fachmann repariert wird.

## Produkthaftung

Im Sinne der Produkthaftungsgesetze übernehmen wir keine Haftung für Schäden, die unser Gerät verursacht, wenn...

---

## Sicherheit

---

### Sicherheitsdefinitionen

Warnungen, Vorsichtsmaßnahmen und Hinweise werden verwendet, um auf besonders wichtige Teile der Bedienungsanleitung hinzuweisen.



**WARNUNG:** Wird verwendet, wenn bei Nichtbeachtung der Anweisungen in diesem Handbuch die Gefahr von Verletzung oder Tod des Bedieners oder anderer Personen besteht.



**ACHTUNG:** Wird verwendet, wenn bei Nichtbeachtung der Anweisungen in diesem Handbuch die Gefahr von Schäden am Gerät, an anderen Materialien oder in der Umgebung besteht.

**Hinweis:** Für weitere Informationen, die in bestimmten Situationen nötig sind.

### Allgemeine Sicherheitshinweise



**WARNUNG:** Lesen Sie die folgenden Warnhinweise, bevor Sie das Gerät verwenden.

- Dieses Gerät ist ein gefährliches Werkzeug, wenn Sie nicht aufpassen oder es unsachgemäß verwenden. Dieses Gerät kann schwere oder tödliche Verletzungen des Bedieners oder anderer Personen verursachen. Es ist sehr wichtig, dass Sie vor der Anwendung des Produkts den Inhalt dieser Bedienungsanleitung gelesen und verstanden haben.
- Der Gebrauch dieses Geräts durch Personen, einschließlich Kindern, die über eingeschränkte körperliche, sensorische oder geistige Fähigkeiten

verfügen oder denen es an der erforderlichen Erfahrung und Kenntnissen mangelt, ist untersagt, sofern sie nicht von einer für ihre Sicherheit verantwortlichen Person bei der Arbeit überwacht und im Gebrauch des Geräts zuvor geschult wurden.

- Bewahren Sie alle Warn- und Sicherheitshinweise auf.
- Halten Sie alle geltenden Gesetze und Vorschriften ein.
- Der Bediener und dessen Arbeitgeber müssen die mit dem Betrieb des Geräts verbundenen Gefahren kennen und vermeiden.
- Untersagen Sie allen Personen die Benutzung des Geräts, bis diese den Inhalt der Bedienungsanleitung gelesen und verstanden haben.
- Verwenden Sie das Gerät nicht, ohne vorher dafür geschult worden zu sein. Stellen Sie sicher, dass alle Bediener Schulungen erhalten.
- Lassen Sie nicht zu, dass Kinder das Gerät verwenden.
- Es dürfen nur zugelassene Personen mit dem Gerät arbeiten.
- Der Bediener ist für Unfälle verantwortlich, die anderen Personen zustoßen oder an deren Eigentum entstehen.
- Verwenden Sie das Gerät nicht, wenn Sie müde oder krank sind oder unter Einfluss von Alkohol, Drogen oder Medikamenten stehen.
- Lassen Sie immer Vorsicht walten, und arbeiten Sie mit gesundem Menschenverstand.
- Halten Sie das Gerät sauber. Stellen Sie sicher, dass Symbole und Aufkleber deutlich lesbar sind.
- Verwenden Sie das Gerät nicht, wenn es beschädigt ist oder nicht ordnungsgemäß funktioniert.
- Nehmen Sie keine Modifikationen am Gerät vor.
- Bedienen Sie das Gerät nicht, wenn die Möglichkeit besteht, dass andere Personen Modifikationen daran durchgeführt haben.



## Sicherheitshinweise für den Betrieb



**WARNUNG:** Lesen Sie die folgenden Warnhinweise, bevor Sie das Gerät verwenden.

- Tragen Sie eine persönliche Schutzausrüstung. Siehe *Persönliche Schutzausrüstung auf Seite 34*.
- Bedienen Sie das Gerät nicht, ohne dass alle Schutzabdeckungen montiert sind.
- Stellen Sie sicher, dass Sie wissen, wie der Motor in einem Notfall schnell gestoppt werden kann.
- Bevor Sie sich vom Gerät entfernen, stoppen Sie den Motor, und ziehen Sie das Netzkabel ab. Stellen Sie sicher, dass versehentliches Starten verhindert wird.
- Stellen Sie sicher, dass keine Haare, lose Kleidungsstücke oder Körperteile in die Nähe von Öffnungen und beweglichen Teilen gelangen.
- Stellen Sie sicher, dass Sie während der Arbeit eine sichere und stabile Position einnehmen.
- Stellen Sie sicher, dass keine Schrauben oder Muttern locker sind.
- Verwenden Sie immer zugelassenes Zubehör. Ihr Husqvarna-Händler steht Ihnen gern für weitere Informationen zur Verfügung.
- Stellen Sie sicher, dass der Staubabsaugschlauch ordnungsgemäß mit Schlauchschellen und Industrieklebeband am Gerät befestigt ist.
- Stellen Sie sicher, dass die Feststellbremse angezogen ist und dass Sie sich während des Betriebs in einer sicheren und stabilen Position befinden.
- Überprüfen Sie regelmäßig den Inhalt des Staubspeichersystems an der Unterseite des Geräts. Tragen Sie immer eine Staubschutzmaske, wenn Sie das Staubspeichersystem entleeren. Beachten Sie beim Entsorgen des Staubs die örtlichen Vorschriften.
- Richten Sie den Staubabsaugschlauch nicht auf Personen.
- Achten Sie darauf, dass sich auf den Handgriffen kein Fett oder Öl befindet.
- Verwenden Sie das Gerät nicht zum Aufnehmen von Wasser oder Flüssigkeiten.
- Verwenden Sie das Gerät nicht zum Aufnehmen heißer, brennender oder rauchender Gegenstände.
- Verwenden Sie das Gerät nicht, um entflammare oder brennbare Flüssigkeiten aufzunehmen.
- Verwenden Sie das Gerät nicht, um gefährlichen Staub aufzunehmen.
- Halten Sie das Gerät sofort an, wenn Staub aus der Filtereinheit austritt. Die Primärfilter sind beschädigt oder nicht korrekt installiert.
- Verwenden Sie es nicht ohne Staubbeutel und/oder Filter. Tauschen Sie den Staubbeutel und das Filtersystem gemäß den Anweisungen in diesem Handbuch aus.

## Staubtechnische Sicherheit



**WARNUNG:** Lesen Sie die folgenden Warnhinweise, bevor Sie das Gerät verwenden.

- Der Betrieb des Geräts kann Staub in der Luft verursachen. Staub kann schwere Verletzungen und permanente Gesundheitsprobleme verursachen. Silikatstaub wurde von verschiedenen Behörden als schädlich eingestuft. Dies sind Beispiele für derartige Gesundheitsprobleme:
  - Die tödlichen Lungenkrankheiten chronische Bronchitis, Silikose und Lungenfibrose
  - Krebs
  - Angeborene Fehlbildungen
  - Hautentzündung
- Verwenden Sie eine angemessene Ausstattung, um die Menge von Staub und Dämpfen in der Luft und den Staub auf Arbeitsgeräten, Oberflächen, Kleidung und Körperteilen zu verringern. Beispiele für Steuerungen sind Staubsammlersysteme. Reduzieren Sie den Staub an der Quelle, falls möglich. Stellen Sie sicher, dass die Ausstattung korrekt montiert ist und verwendet wird und dass sie regelmäßig gewartet wird.
- Tragen Sie einen zugelassenen Atemschutz. Stellen Sie sicher, dass der Atemschutz für die gefährlichen Materialien im Arbeitsbereich geeignet ist.
- Stellen Sie sicher, dass der Arbeitsbereich ausreichend belüftet ist.
- Es liegt in der Verantwortung des Bedieners, die zu behandelnde Oberfläche zu analysieren. Die Oberfläche darf keine Stoffe enthalten, die bei der Behandlung Brand-, Explosions- oder Gesundheitsrisiken darstellen könnten. Der Bediener muss eine Risikobewertung aufgrund der ermittelten Informationen über die zu behandelnde Oberfläche durchführen und geeignete Vorsichtsmaßnahmen für die auszuführenden Arbeiten treffen.

## Lärm – Sicherheit



**WARNUNG:** Lesen Sie die folgenden Warnhinweise, bevor Sie das Gerät benutzen.

- Ein hoher Geräuschpegel und Lärmbelastung über einen langen Zeitraum können zu lärmbedingten Hörschäden führen.
- Um den Geräuschpegel auf einem Minimum zu halten, warten und betreiben Sie das Gerät gemäß den Anweisungen der Bedienungsanleitung.
- Tragen Sie einen zugelassenen Gehörschutz beim Arbeiten mit dem Gerät.
- Beachten Sie Warnsignale und Stimmen, wenn Sie einen Gehörschutz tragen. Entfernen Sie den Gehörschutz, wenn das Gerät ausgeschaltet wird,

es sei denn, er ist bei dem Geräuschpegel in Ihrem Arbeitsbereich erforderlich.

## Persönliche Schutzausrüstung



**WARNUNG:** Lesen Sie die folgenden Warnhinweise, bevor Sie das Gerät verwenden.

- Verwenden Sie stets die vorgeschriebene persönliche Schutzausrüstung bei der Bedienung des Geräts. Die persönliche Schutzausrüstung kann Verletzungen nicht vollständig vermeiden, vermindert aber den Umfang der Verletzungen und Schäden bei einem Unfall. Lassen Sie sich bei der Auswahl der korrekten persönlichen Schutzausrüstung und für deren Verwendung von Ihrem Händler beraten.
- Überprüfen Sie regelmäßig den Zustand der persönlichen Schutzausrüstung.
- Tragen Sie einen zugelassenen Gehörschutz.
- Tragen Sie einen zugelassenen Atemschutz.
- Tragen Sie einen zugelassenen Augenschutz mit seitlicher Abschirmung.
- Tragen Sie stets Schutzhandschuhe.
- Tragen Sie Stiefel mit Stahlkappe und rutschfester Sohle.
- Tragen Sie zugelassene Arbeitskleidung oder gleichwertige, eng anliegende Kleidung mit langen Ärmeln und langen Hosenbeinen.

## Sicherheit im Arbeitsbereich



**WARNUNG:** Lesen Sie die folgenden Warnhinweise, bevor Sie das Gerät verwenden.

- Verwenden Sie das Gerät nicht bei Nebel, Regen, starkem Wind, kaltem Wetter, Gewittergefahr oder anderen schlechten Wetterbedingungen.
- Achten Sie darauf, dass sich Kinder, umstehenden Personen und Tiere nicht im Arbeitsbereich aufhalten und sich in einem Abstand von mindestens 5 m zum Gerät befinden.
- Stellen Sie sicher, dass sich nur befugte Personen im Arbeitsbereich befinden.
- Sorgen Sie für einen sauberen und gut ausgeleuchteten Arbeitsbereich. Durch zugestellte oder dunkle Arbeitsbereiche steigt die Unfallgefahr stark an.
- Stellen Sie sicher, dass unebene Oberflächen, zum Beispiel Schweißnähte oder Bodenverbindungen, das Gerät nicht stoppen.
- Stellen Sie sicher, dass sich keine Kabel oder Schläuche in der Betriebsrichtung des Geräts befinden.
- Achten Sie im Arbeitsbereich auf eine ausreichende Belüftung.

- Stellen Sie sicher, dass sich keine brennbaren Flüssigkeiten im Arbeitsbereich befinden.
- Dieses Gerät ist nicht für den Einsatz in klassifizierten (gefährlichen) Bereichen, zur Aufnahme von Stäuben oder Flüssigkeiten mit hohem Explosionsrisiko oder Mischungen aus brennbarem Staub und Flüssigkeiten geeignet.
- Nehmen Sie mit dem Gerät keine brennenden oder rauchenden Gegenstände oder Substanzen wie Zigaretten, Streichhölzer oder heiße Asche auf.
- Verwenden Sie das Gerät nicht, um brennbare Flüssigkeiten wie z. B. Benzin aufzunehmen, und verwenden Sie es nicht in Bereichen, in denen entzündliche Dämpfe auftreten können.

## Elektrische Sicherheit



**WARNUNG:** Bei elektrisch angetriebenen Geräten besteht immer die Gefahr von elektrischen Schlägen. Verwenden Sie das Gerät nicht bei schlechtem Wetter. Berühren Sie keine Blitzableiter und Metallgegenstände. Verwenden Sie das Gerät immer gemäß den in diesem Betriebshandbuch hinterlegten Anweisungen, um Verletzungen zu vermeiden.



**WARNUNG:** Verwenden Sie stets eine Stromversorgung mit Fehlerstromgerät (RCD). Durch ein RCD wird das Risiko von Stromschlägen verringert.



**WARNUNG:** Hochspannung. Das Antriebsaggregat enthält ungeschützte Teile. Trennen Sie immer den Netzstecker, bevor Sie die Klappe des Schaltkastens öffnen.



**ACHTUNG:** Die Stromversorgung aus dem Gerät oder vom Generator muss ausreichend und konstant sein, um einen störungsfreien Betrieb des Motors sicherzustellen. Eine falsche Spannung führt dazu, dass der Stromverbrauch und die Temperatur des Motors ansteigen, bis der Sicherheitskreis ausgelöst wird. Die Auslegung des Netzkabels muss mit den nationalen und lokalen Vorschriften übereinstimmen. Die Auslegung der Netzsteckdose muss mit der Stromstärke der Steckdose und des Verlängerungskabels des Geräts übereinstimmen.

Wenn das Stromnetz einen höheren Systemwiderstand aufweist, kann beim Starten des Geräts die Spannung kurzzeitig abfallen. Dies kann den Betrieb anderer

Geräte beeinflussen, z. B. ein Flackern des Lichts verursachen.

- Der Netzstecker muss zur Steckdose passen. Der Netzstecker darf in keiner Weise verändert werden. Verwenden Sie bei Elektrowerkzeugen mit Schutzkontakt (geerdet) niemals Adapterstecker. Nicht modifizierte Stecker und passende Steckdosen reduzieren das Risiko eines Stromschlags.
- Vermeiden Sie Körperkontakt mit geerdeten Gegenständen wie Rohrleitungen, Heizungen, Herden oder Kühlschränken. Bei Körperkontakt mit geerdeten Gegenständen besteht ein erhöhtes Stromschlagrisiko.
- Kontrollieren Sie, ob die Leistung, die Sicherung und die Netzspannung mit dem entsprechenden Spannungswert auf dem Typenschild des Geräts übereinstimmen.
- Schalten Sie das Gerät immer aus, bevor Sie den Netzstecker ziehen.
- Ziehen Sie immer den Netzstecker, wenn Sie das Gerät längere Zeit nicht verwenden.
- Verwenden Sie das Gerät nicht, wenn Stromkabel oder Stecker beschädigt sind. Ist das Netzkabel beschädigt, muss es zur Gefahrenvermeidung vom Hersteller, dessen Servicewerkstatt oder von gleichermaßen qualifizierten Personen ausgetauscht werden. Ein beschädigtes Netzkabel kann zu schweren und tödlichen Verletzungen führen.
- Verwenden Sie das Netzkabel nach Vorschrift. Verwenden Sie das Netzkabel nicht, um das Gerät zu verschieben, zu ziehen oder von der Netzspannung zu trennen. Ziehen Sie direkt am Stecker, um das Netzkabel abziehen. Ziehen Sie nicht am Netzkabel.
- Halten Sie das Gerät von Regen fern. Wasser, das in das Gerät eindringt, erhöht das Risiko eines elektrischen Schlags.
- Achten Sie immer darauf, dass das Netzkabel getrennt ist, wenn Sie den Stecker des Motorkabels und des Schaltkastens ein- oder ausstecken.
- Um eine Gefährdung durch versehentliches Zurücksetzen des Thermowächters zu vermeiden, darf dieses Gerät nicht über ein externes Schaltgerät, z. B. einen Timer, ans Stromnetz oder an einen Stromkreis angeschlossen werden, der regelmäßig von der Anlage ein- und ausgeschaltet wird.
- Achten Sie darauf, dass die Stromversorgung für das Gerät über separate Transformatoren erfolgt, die nur für industrielle Zwecke verwendet werden.

#### Anweisungen für geerdete Geräte



**WARNUNG:** Ein falscher Anschluss kann zu einem Stromschlag führen. Wenden Sie sich an einen qualifizierten Elektriker, wenn Sie Zweifel daran haben, ob die Netzsteckdose richtig geerdet ist.

Nehmen Sie keine Modifikationen am Netzstecker vor. Dieser muss den Werksspezifikationen entsprechen. Wenn der Netzstecker oder das Netzkabel beschädigt ist oder ersetzt werden muss, wenden Sie sich an Ihre Husqvarna Servicewerkstatt. Beachten Sie die vor Ort geltenden Vorschriften und Gesetze.

Wenden Sie sich an einen qualifizierten Elektriker, wenn Sie die Anweisungen hinsichtlich des geerdeten Geräts nicht vollständig verstehen.

Verwenden Sie nur geerdete Verlängerungskabel für den Außenbereich mit Erdungssteckern und einer Erdungssteckdose, die für den Netzstecker des Geräts geeignet ist.

Das Gerät verfügt über ein geerdetes Netzkabel und einen Netzstecker. Schließen Sie das Gerät immer an eine geerdete Steckdose an. Dadurch wird das Risiko von Stromschlägen verringert.

Verwenden Sie keine elektrischen Adapter am Gerät.

#### Verlängerungskabel

- Verwenden Sie nur zugelassene Verlängerungskabel mit den entsprechenden Eigenschaften.
- Der Nennwert auf dem Verlängerungskabel muss dem auf dem Typenschild des Geräts angegebenen Wert entsprechen oder höher sein.
- Verwenden Sie Schuko-Verlängerungskabel.
- Wenn Sie das Gerät im Freien benutzen, verwenden Sie ein für den Außeneinsatz geeignetes Verlängerungskabel. Dadurch wird das Risiko von Stromschlägen verringert.
- Achten Sie darauf, dass die Verbindung mit dem Verlängerungskabel trocken ist und keinen Bodenkontakt hat.
- Halten Sie das Verlängerungskabel fern von Hitzequellen, Öl, scharfen Kanten und beweglichen Teilen. Ein beschädigtes Kabel erhöht das Risiko eines Stromschlags.
- Stellen Sie sicher, dass sich das Verlängerungskabel in einem guten Zustand befindet und unbeschädigt ist.
- Verwenden Sie das Verlängerungskabel nicht im aufgewickelten Zustand. Dies kann dazu führen, dass das Verlängerungskabel zu heiß wird.
- Stellen Sie sicher, dass das Verlängerungskabel während des Betriebs nicht im Weg ist und das Gerät nicht behindert. Dadurch wird eine Beschädigung des Verlängerungskabels vermieden.

#### Sicherheitsvorrichtungen am Gerät



**WARNUNG:** Lesen Sie die folgenden Warnhinweise, bevor Sie das Gerät verwenden.

- Verwenden Sie das Gerät nicht, wenn die Sicherheitsvorrichtungen beschädigt sind oder nicht ordnungsgemäß funktionieren.
- Führen Sie täglich eine Überprüfung der Sicherheitsvorrichtungen durch. Wenn Ihre Sicherheitsvorrichtungen beschädigt sind oder nicht ordnungsgemäß funktionieren, wenden Sie sich an Ihren Kundendienst von Husqvarna.
- Führen Sie keine Änderungen an den Sicherheitsvorrichtungen durch
- Nehmen Sie keine Modifikationen am Gerät vor. Veränderungen am Gerät, die vom Hersteller nicht genehmigt wurden, können zu schweren Verletzungen oder zum Tod führen.
- Verwenden Sie immer Originalersatzteile und Originalzubehör. Zubehör und Ersatzteile, die vom Hersteller nicht genehmigt wurden, können zu schweren Verletzungen oder zum Tod führen.
- Ersetzen Sie beschädigte, verschlissene oder defekte Teile.

### Not-Aus-Taste

Die Not-Aus-Taste wird verwendet, um das Gerät schnell anzuhalten und unterbricht die Stromversorgung.

### So führen Sie eine Prüfung der Not-Aus-Taste durch

Unter *Überblick über die Bedientafel auf Seite 31* finden Sie Informationen darüber, wo sich die Not-Aus-Taste an Ihrem Gerät befindet.

1. Drehen Sie die Not-Aus-Taste im Uhrzeigersinn, um sicherzustellen, dass die Not-Aus-Taste deaktiviert ist.
2. Das Gerät starten. Siehe *So starten Sie das Gerät auf Seite 39*.
3. Drücken Sie die Not-Aus-Taste.
4. Vergewissern Sie sich, dass der Motor vollständig zum Stillstand gekommen ist.
5. Drehen Sie die Not-Aus-Taste im Uhrzeigersinn, um sie zu deaktivieren.

### Motorschutzschalter

Das Gerät verfügt über mehrere Motorschutzschalter, um eine Motorüberlastung zu verhindern. Lassen Sie einen Elektriker die Motorschutzschalter überprüfen, wenn eine Motorüberlastung vorliegt.

## Sicherheitshinweise für die Wartung



**WARNUNG:** Lesen Sie die folgenden Warnhinweise, bevor Sie das Gerät warten.

- Bei der Fehlerbehebung, Wartung und Instandhaltung können gerätebezogene Unfälle auftreten, da sich der Bediener im Risikobereich des Geräts befinden muss. Der Bediener muss vorsichtig sein, einen Plan aufstellen und die Arbeiten vorbereiten, um Unfälle zu vermeiden.
- Wenn die Wartung nicht ordnungsgemäß und regelmäßig erfolgt, erhöhen sich die Verletzungsgefahr und das Risiko für eine Beschädigung des Geräts.
- Tragen Sie eine persönliche Schutzausrüstung. Siehe *Persönliche Schutzausrüstung auf Seite 34*.
- Trennen Sie das Gerät vom Netz, bevor Sie Wartungsarbeiten durchführen.
- Lassen Sie keine Modifikationen am Gerät vor. Veränderungen am Gerät, die vom Hersteller nicht genehmigt wurden, können zu schweren Verletzungen oder zum Tod führen.
- Verwenden Sie immer Originalersatzteile und Originalzubehör. Zubehör und Ersatzteile, die vom Hersteller nicht genehmigt wurden, können zu schweren Verletzungen oder zum Tod führen.
- Ersetzen Sie beschädigte, verschlissene oder defekte Teile.
- Führen Sie nur Wartungsarbeiten durch, die gemäß dieser Betriebsanleitung vorgegeben sind. Lassen Sie alle anderen Wartungsarbeiten von einer autorisierten Servicewerkstatt durchführen.
- Ein erforderlicher Austausch des Netzkabels muss durch den Hersteller oder dessen Servicewerkstatt erfolgen, um Sicherheitsgefahren zu vermeiden.
- Lassen Sie alle Prüfungen der elektrischen Komponenten nur von einem zugelassenen Elektriker durchführen.
- Seien Sie vorsichtig im Umgang mit den Filtern. Wenn Sie die Filter beschädigen, besteht die Gefahr der Staubverteilung.
- Der Hersteller oder eine eingewiesene Person muss mindestens einmal jährlich eine technische Inspektion durchführen. Die technische Inspektion umfasst die Inspektion der Filter auf Schäden, die Luftdichtheit des Geräts und die ordnungsgemäße Funktion des Steuermechanismus. Darüber hinaus muss die Filtrationseffizienz des Geräts mindestens einmal jährlich oder ggf. häufiger, je nach nationalen Vorschriften, geprüft werden. Wird der Test nicht durchgeführt, müssen die Primärfilter durch neue Filter ersetzt werden.
- Bei der Durchführung von Wartungs- oder Reparaturarbeiten müssen alle kontaminierten Gegenstände, die nicht zufriedenstellend gereinigt werden können, entsorgt werden; diese Gegenstände sind in undurchlässigen Beuteln gemäß den geltenden Vorschriften für die Entsorgung solcher Abfälle zu entsorgen.
- Alle Maschinenteile sind als kontaminiert zu betrachten, wenn sie aus dem Arbeitsbereich entfernt werden, und es sind geeignete Maßnahmen zur Vermeidung der Staubverteilung zu ergreifen.
- Das Äußere der Maschine muss mit einem Staubsauger dekontaminiert und sauber abgewischt oder mit Dichtmittel behandelt werden, bevor sie aus dem Arbeitsbereich genommen wird.
- Bei Wartungsarbeiten durch den Bediener muss die Maschine soweit wie möglich zerlegt, gereinigt und gewartet werden, ohne dass dies eine Gefahr für das Wartungspersonal oder andere Personen darstellt. Geeignete Vorsichtsmaßnahmen umfassen die Dekontamination vor der Demontage, die Bereitstellung einer lokalen gefilterten Abgasentlüftung, wenn die Maschine demontiert wird, die Reinigung des Wartungsbereichs und geeignete persönliche Schutzausrüstung.

- Wenn die Abluft in den Raum zurückgeleitet wird, muss für eine angemessene LUFTAUSTAUSCHRATE (AIR CHANGE RATE,

ACR) gesorgt werden. Beachten Sie die nationalen Vorschriften.

## Betrieb

### Einleitung



**WARNUNG:** Vor dem Betrieb des Gerätes müssen Sie die Sicherheitsinformationen lesen und verstehen.

### Bevor Sie das Gerät bedienen



**WARNUNG:** Um Verletzungsgefahr zu vermeiden, stellen Sie sicher, dass Sie den Gerätestecker vollständig am Verlängerungskabel anbringen. Überprüfen Sie die Verbindung regelmäßig, während Sie das Gerät bedienen, um sicherzustellen, dass es vollständig angeschlossen ist. Verwenden Sie kein Verlängerungskabel, das eine lockere Verbindung herstellt.



**WARNUNG:** Lesen Sie die Bedienungsanleitung für die beigelegte Ausrüstung sorgfältig durch. Wenn festgelegte Anforderungen oder Einstellungen für das Zusatzgerät angegeben sind, beachten Sie diese.

1. Lesen Sie die Bedienungsanleitung sorgfältig durch, und stellen Sie sicher, dass Sie die Anweisungen verstehen.
2. Führen Sie die tägliche Wartung durch. Siehe *Wartungsplan auf Seite 41*.
3. Stellen Sie sicher, dass der Arbeitsbereich sauber und hell ist.
4. Tragen Sie eine persönliche Schutzausrüstung. Siehe *Persönliche Schutzausrüstung auf Seite 34*.
5. Stellen Sie sicher, dass das Gerät korrekt installiert ist.
6. Stellen Sie sicher, dass die Frequenz und die Spannung auf dem Typenschild mit der Netzspannung übereinstimmen. Dies gilt auch für die Verlängerungskabel.
7. Deaktivieren Sie das Antriebssystem. Siehe *So aktivieren Sie das Antriebssystem auf Seite 49*.
8. Feststellbremse anziehen. Siehe *So betätigen und lösen Sie die Handbremse auf Seite 37*.
9. Bringen Sie die 2 Staubabsaugschläuche an. Siehe *So bringen Sie die Staubabsaugschläuche an auf Seite 37*.

10. Installieren Sie einen BigBag-Beutel. Stellen Sie eine Palette unter die BigBag.
11. Stellen Sie sicher, dass der Netzstecker korrekt verbunden ist.

### So bringen Sie die Staubabsaugschläuche an

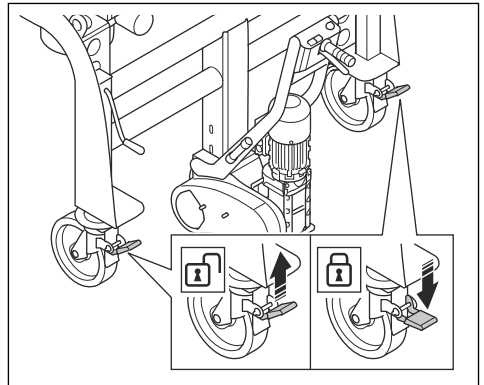
Verwenden Sie antistatische Staubabsaugschläuche mit einem Durchmesser von 150 mm.

- Schließen Sie die 2 Staubabsaugschläuche mit Schlauchschellen und Industrieklebeband an.

### So betätigen und lösen Sie die Handbremse

Die Feststellbremse muss angezogen sein, bevor Sie das Gerät starten.

1. Drücken Sie den Verriegelungshebel nach unten, um die Feststellbremse zu aktivieren.

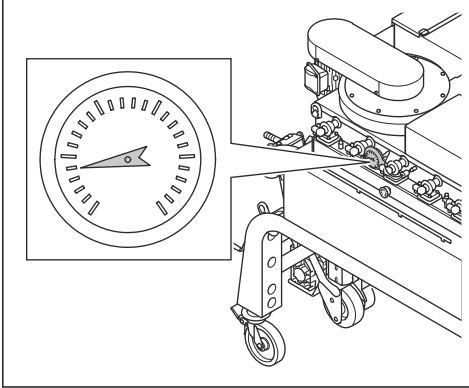


2. Um die Feststellbremse zu lösen, drücken Sie den Verriegelungshebel nach oben.

### Unterdruckmesser

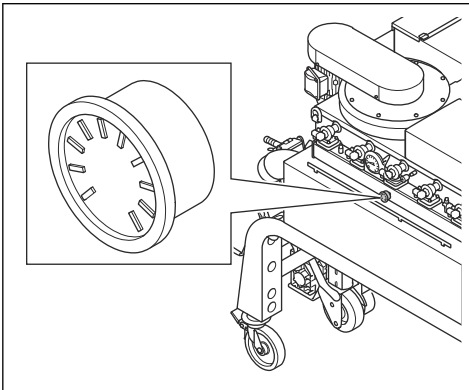
Der Unterdruckmesser zeigt den Zustand der Primärfilter an. Wenn der Wert auf dem Unterdruckmesser 20 cm H<sub>2</sub>O oder höher ist, müssen die Primärfilter gereinigt werden. Siehe *So reinigen Sie die Primärfilter auf Seite 43*. Wenn der Wert auf dem Unterdruckmesser nach dem Reinigen der Primärfilter 15 cm H<sub>2</sub>O oder höher ist, müssen die

Primärfilter ausgetauscht werden. Siehe *So tauschen Sie die Primärfilter aus* auf Seite 44.



### Druckbehälter-Manometer

Das Druckbehälter-Manometer zeigt den Druck im Druckbehälter an. Die Luft im Druckbehälter reinigt die Primärfilter. Der Druck liegt während des Betriebs bei etwa 7 bar/100 PSI.



### Wasserabscheider

Der Wasserabscheider entfernt Schmutz, Öl und Wasser aus der Luft.

### So schließen Sie ein Zusatzgerät an

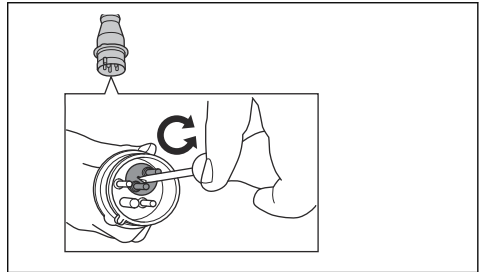
1. Schließen Sie den Netzstecker des Zusatzgeräts an eine geeignete Stromversorgung an.
2. Stellen Sie sicher, dass die Staubabsaugschläuche zwischen dem Gerät und dem Zusatzgerät mit Schlauchschellen und Industrieklebeband mit Schlauchschellen und Industrieklebeband angeschlossen ist.
3. Stellen Sie sicher, dass die Staubabsaugschläuche in gutem Zustand sind und sich frei bewegen können.

### So schließen Sie das Gerät an die Stromversorgung an

1. Schließen Sie den Netzstecker des Geräts an eine geerdete Steckdose oder eine andere Stromquelle an.
2. Vergewissern Sie sich, dass die Netzspannung mit der auf dem Typenschild des Geräts angegebenen Spannung übereinstimmt.

### So ändern Sie die Phasenfolge

1. Stoppen Sie das Gerät. Siehe *So stoppen Sie das Gerät* auf Seite 39.
2. Warten Sie, bis das Gerät vollständig gestoppt wurde.
3. Trennen Sie das Verlängerungskabel vom Netzstecker des Geräts.
4. Drehen Sie den Wechselrichterschalter am Netzstecker des Geräts in die entgegengesetzte Position.



5. Schließen Sie das Netzkabel an, und überprüfen Sie das Bedienfeld. Siehe *Warnanzeige des Motorschutzes und Störung der Stromversorgung* auf Seite 38.

### Warnanzeige des Motorschutzes und Störung der Stromversorgung

Die Warnanzeige des Motorschutzes leuchtet auf, wenn eine Störung bei der Stromversorgung vorliegt. Die Motoren können nicht gestartet werden, wenn die Anzeige leuchtet. Deaktivieren Sie den Motorschutz, um die Motoren zu starten. Siehe *So deaktivieren Sie den Motorschutz* auf Seite 38.

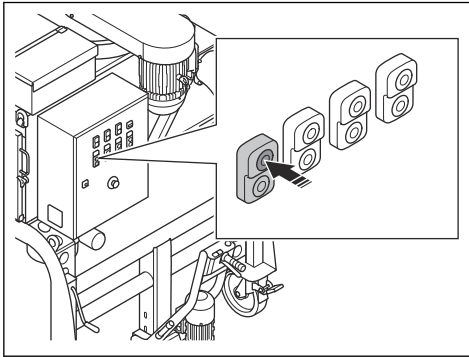
### So deaktivieren Sie den Motorschutz

1. Ändern Sie die Position der Phasen.
2. Überprüfen Sie die Warnanzeige des Motorschutzes. Wenn sie noch leuchtet, ist die Stromversorgung nicht korrekt.
3. Überprüfen Sie den Motorschutzschalter im Schaltschrank.
4. Überprüfen Sie die Warnanzeige des Motorschutzes. Wenn sie noch leuchtet, ist die Stromversorgung nicht korrekt.

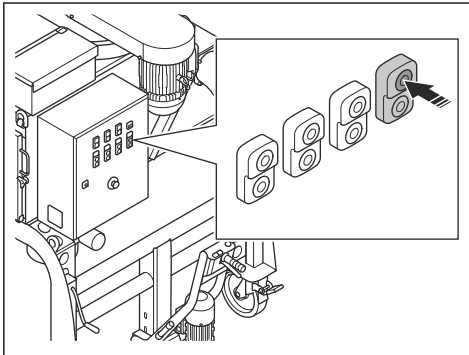
- Überprüfen Sie alle Phasen mit einem Multimeter. Schließen Sie die fehlenden Phasen an.
- Starten Sie die Motoren. Siehe *So starten Sie das Gerät auf Seite 39*.
- Überprüfen Sie die Warnanzeige des Motorschutzes. Wenn sie noch leuchtet, wenden Sie sich an Ihre Husqvarna Servicewerkstatt.

## So starten Sie das Gerät

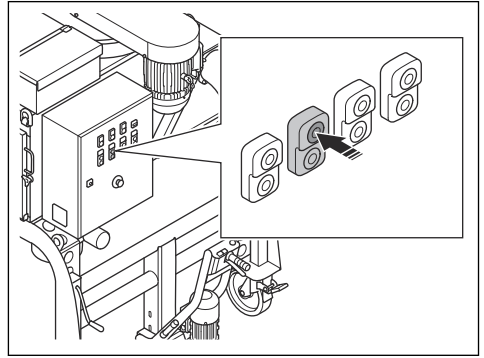
- Führen Sie alle Schritte durch unter *Bevor Sie das Gerät bedienen auf Seite 37*.
- Stellen Sie sicher, dass die 2 Luftstromklappen geschlossen sind.
- Stellen Sie sicher, dass die Staubabsaugschläuche zwischen dem Gerät und dem Zusatzgerät korrekt angeschlossen sind.
- Starten Sie den Kompressor.



- Starten Sie den Motor für die Drehventile.



- Starten Sie die Lüfter, und warten Sie, bis die Lüfter auf voller Drehzahl laufen.



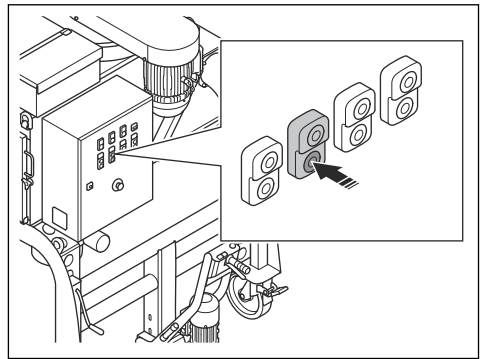
**Hinweis:** Die 2 Lüfter starten nicht gleichzeitig. Wenn sich der erste Lüfter auf voller Drehzahl befindet, startet der zweite Lüfter. Die Luftstromklappen öffnen sich automatisch.



**WARNUNG:** Verwenden Sie das Antriebssystem nicht, wenn das Gerät in Betrieb ist.

## So stoppen Sie das Gerät

- Wenn Sie das Gerät vorübergehend anhalten, halten Sie nur die Lüfter an. Die Luftstromklappen schließen sich automatisch.



**Hinweis:** Wenn der Luftkompressor während eines kurzen Stopps eingeschaltet ist, reinigt das Gerät die Primärfilter.



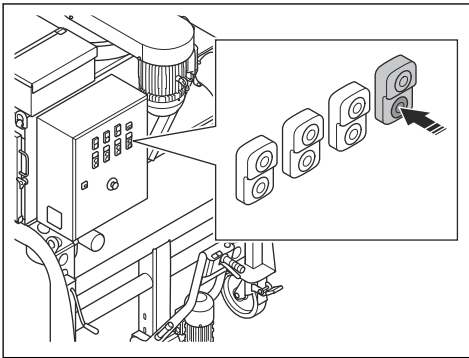
**WARNUNG:** Stellen Sie sicher, dass die Lufteinlässe während des Reinigungszyklus des Geräts geschlossen sind. Wenn die Lufteinlässe nicht geschlossen sind, gelangt Staub



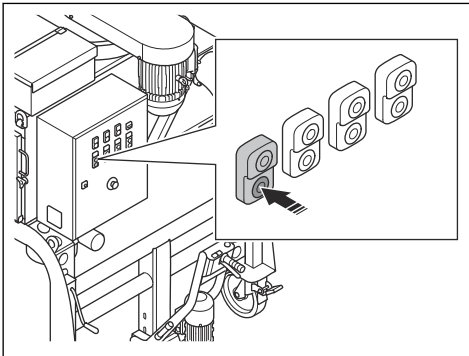
in die Luft. Die Staubpartikel sind gesundheitsschädlich.

2. Wenn Sie das Gerät länger als 1 Stunde anhalten, stoppen Sie die Lüfter, und führen Sie dann die folgenden Schritte aus:

a) Stoppen Sie den Motor für die Drehventile.



b) Stoppen Sie den Luftkompressor.



c) Trennen Sie den Netzstecker vom Netzteil.

## So entsorgen Sie einen vollen BigBag-Beutel und setzen einen neuen BigBag-Beutel ein

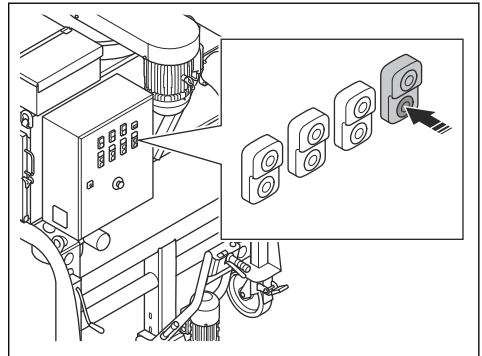


**WARNUNG:** Heben Sie den BigBag-Beutel vorsichtig an. Verwenden Sie eine Hubvorrichtung. Ein voller BigBag-Beutel kann schwer sein. Stellen Sie sicher, dass die Gurte ordnungsgemäß geschlossen sind, bevor Sie den BigBag-Beutel anheben.

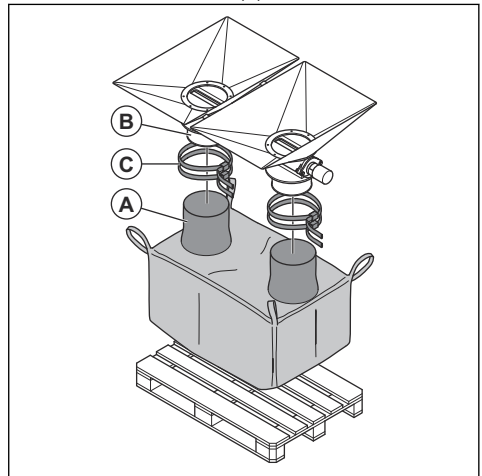


**WARNUNG:** Tragen Sie einen zugelassenen Atemschutz, wenn Sie den BigBag-Beutel austauschen. Siehe *Persönliche Schutzausrüstung auf Seite 34.*

1. Stoppen Sie den Motor für die Drehventile.



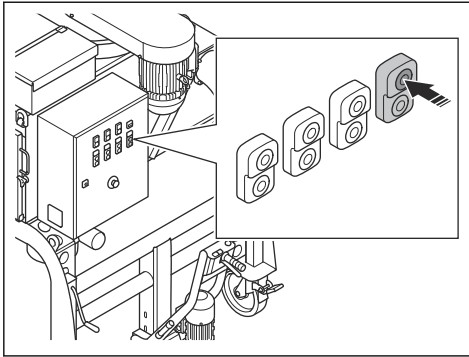
2. Entfernen Sie die Trichter des BigBag-Beutels aus den Staubauslässen und schließen Sie diese.
3. Entfernen Sie die Palette und den BigBag-Beutel vom Gerät.
4. Beachten Sie die örtlichen Vorschriften zur Entsorgung des vollen BigBag-Beutels.
5. Stellen Sie eine neue Palette und einen neuen BigBag-Beutel unter das Gerät.
6. Montieren Sie die Trichter des BigBag-Beutels (A) an den Staubauslässen (B).



7. Befestigen Sie die Trichter des BigBag-Beutels mit Gurten (C) an den Staubauslässen.
8. Stellen Sie sicher, dass der BigBag-Beutel gleichmäßig auf der Palette sitzt.



9. Starten Sie den Motor für die Drehventile.

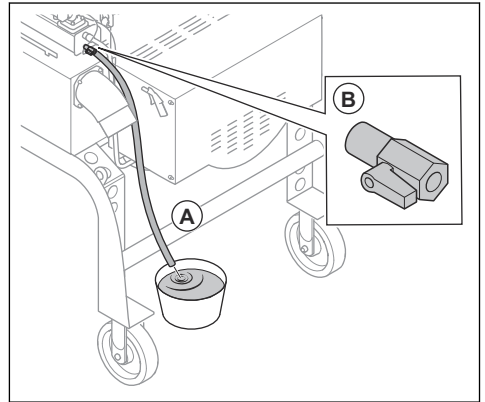


### So lassen Sie das Wasser aus dem Druckbehälter ab

Wasser in der Druckluft sammelt sich im Druckbehälter. Das Wasser muss täglich aus dem Druckbehälter abgelassen werden.

1. Stoppen Sie das Gerät. Siehe *So stoppen Sie das Gerät auf Seite 39*.

2. Stellen Sie einen Behälter unter den Wasserabsaugschlauch (A), um das Wasser aufzufangen.



3. Öffnen Sie das Wasserventil (B).

4. Schließen Sie das Wasserventil, wenn das gesamte Wasser abgelassen ist.

## Wartung

### Einleitung



**WARNUNG:** Lesen Sie vor dem Warten des Geräts das Kapitel über Sicherheit, und machen Sie sich damit vertraut.

X = Diese Anweisungen sind in dieser Bedienungsanleitung enthalten.

O = Diese Anweisungen sind nicht in dieser Bedienungsanleitung enthalten. Lassen Sie die Wartung von einer zugelassenen Servicewerkstatt durchführen.

### Wartungsplan

\* = Allgemeine Wartung durch den Bediener. Diese Anweisungen sind nicht in dieser Bedienungsanleitung enthalten.

Allgemeine Gerätewartung	Täglich	Wöchent-lich	Monatlich	12 Stunden nach der Wartung	Alle 3 Monate	Jährlich
Stellen Sie sicher, dass der Netzstecker und das Verlängerungskabel sich in einem guten Zustand befinden und nicht beschädigt sind.	*					
Prüfen Sie die elektrischen Bauteile, Kabel und Anschlüsse auf Verschleiß und Schäden.	*					
Überprüfen Sie den FI-Schalter.	*					
Prüfen Sie die Motoren auf Verschmutzung und Risse.	*					

Allgemeine Gerätewartung	Täglich	Wöchentlich	Monatlich	12 Stunden nach der Wartung	Alle 3 Monate	Jährlich
Entleeren Sie den Ablaufbehälter.	*					
Vergewissern Sie sich, dass die Staubabsaugschläuche nicht beschädigt oder verstopft sind.	*					
Lassen Sie das Wasser aus dem Druckbehälter ab.	X					
Vergewissern Sie sich, dass die Staubabsaugschläuche korrekt angeschlossen sind.	X					
Entsorgen Sie den Staub aus dem Gerät.	X					
Führen Sie eine Überprüfung aller Sicherheitsvorrichtungen durch.	X					
Reinigen Sie die Druckluftfilter. Ggf. ersetzen.		X				
Stellen Sie sicher, dass an den Drehventilen kein Staub austritt.		X				
Stellen Sie sicher, dass der Geräuschpegel von den Lagern der Drehventile nicht ungewöhnlich hoch ist.			*			
Prüfen Sie den Antriebsmotor der Drehventile auf Ölundichtigkeit.			*			
Stellen Sie sicher, dass die Trennscheiben der Drehventile nicht verschlissen sind und dass keine Luft entweichen kann. Ggf. ersetzen.			X			
Vergewissern Sie sich, dass alle Muttern und Schrauben fest angezogen sind.				*		
Reinigen Sie den Filter des Wasserabscheiders. Ggf. ersetzen.					X	
Kontrollieren Sie die Riemenspannung des Keilriemens.					X	
Tauschen Sie die Luftkompressorfilter aus.					X	
Tauschen Sie den Filter des Wasserabscheiders aus.						X
Reinigen Sie den oberen Teil der Filtereinheit.					O	
Führen Sie eine vollständige Wartung und Reinigung des Geräts durch.						O

## So reinigen Sie das Gerät

- Reinigen Sie immer die gesamte Ausstattung nach dem Gebrauch. Verwenden Sie einen Staubsauger.
- Reinigen Sie das Gerät nicht mit einem Hochdruckreiniger.

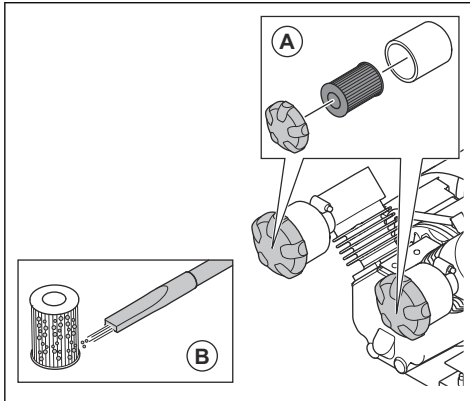
- Halten Sie die Luftöffnungen sauber und frei, um sicherzustellen, dass das Gerät immer eine ausreichend kühle Temperatur hat.

## So reinigen Sie die Kompressorfilter



**ACHTUNG:** Reinigen Sie die Kompressorfilter weder mit einem Hochdruckreiniger noch mit Wasser. Schlagen Sie nicht mit Gewalt auf die Filter, um sie zu reinigen. Verwenden Sie zum Reinigen der Kompressorfilter keine Druckluft.

1. Entfernen Sie die 2 Kappen und die 2 Kompressorfilter (A).



2. Reinigen Sie die 2 Kompressorfilter mit einem kleinen Staubabsauger (B).
3. Bauen Sie die 2 Kompressorfilter ein und schließen Sie die 2 Kappen.

Wenn Sie die Kompressorfilter nicht vollständig reinigen können oder wenn sie beschädigt sind, müssen sie ausgetauscht werden.

## So reinigen Sie den Filter im Wasserabscheider

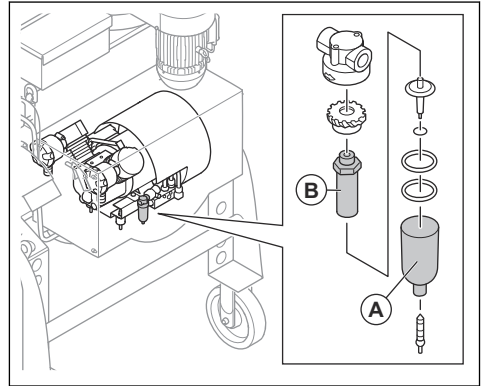


**ACHTUNG:** Reinigen Sie den Filter nicht mit einem Hochdruckreiniger. Schlagen Sie nicht mit Gewalt auf den Filter, um ihn zu reinigen.

1. Entfernen Sie den Filter im Wasserabscheider. Siehe *So ersetzen Sie den Filter im Wasserabscheider auf Seite 43*.
2. Reinigen Sie den Filter mit warmem Wasser.
3. Trocknen Sie den Filter mit Druckluft.
4. Montieren Sie den Filter. Siehe *So ersetzen Sie den Filter im Wasserabscheider auf Seite 43*.

## So ersetzen Sie den Filter im Wasserabscheider

1. Stoppen Sie das Gerät. Siehe *So stoppen Sie das Gerät auf Seite 39*.
2. Entfernen Sie den Behälter des Wasserabscheiders (A).



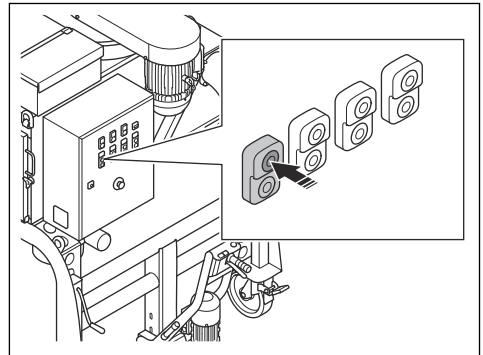
3. Tauschen Sie den Filter des Wasserabscheiders (B) aus.
4. Montieren Sie den Behälter des Wasserabscheiders (A).

## So reinigen Sie die Primärfilter

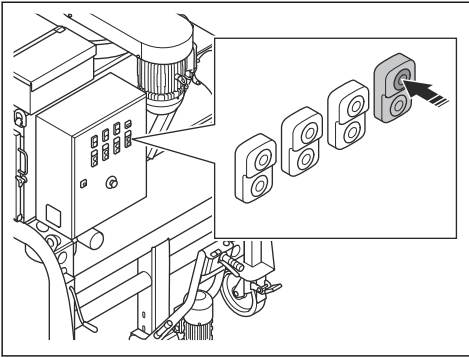


**WARNUNG:** Schließen Sie den Lufterlass immer, wenn der Puls-Reinigungszyklus läuft. Wenn der Lufterlass nicht geschlossen ist, kann Staub in die Luft gelangen. Die Staubpartikel sind gesundheitsschädlich.

1. Starten Sie den Kompressor.



2. Starten Sie den Motor für die Drehventile.



3. Lassen Sie den Luftkompressor 30 Minuten lang eingeschaltet, während das Gerät nicht in Betrieb ist. Druckluft strömt durch die Primärfilter und reinigt sie.

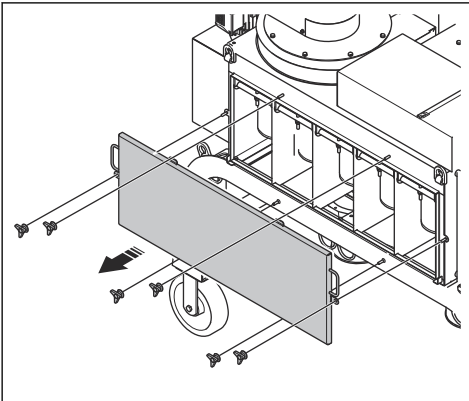
### So tauschen Sie die Primärfilter aus



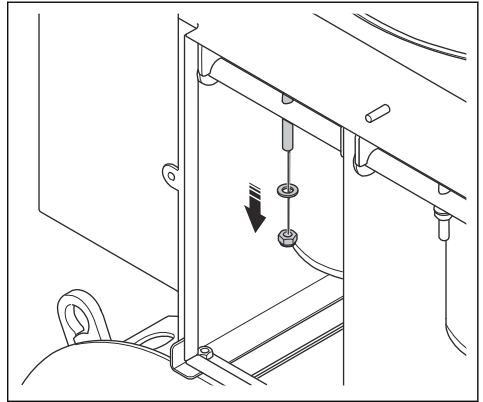
**WARNUNG:** Beim Auswechseln der Primärfilter stets persönliche Schutzausrüstung tragen. Siehe *Persönliche Schutzausrüstung auf Seite 34*.

Das Gerät ist mit 20 Primärfiltern ausgestattet. Tauschen Sie alle Filter gleichzeitig aus.

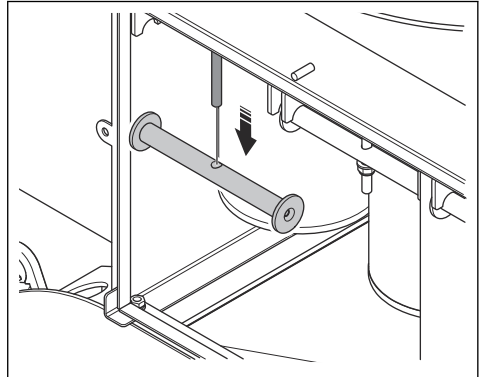
1. Stoppen Sie das Gerät. Siehe *So stoppen Sie das Gerät auf Seite 39*.
2. Entfernen Sie die 6 Verriegelungsknöpfe und die Abdeckung des Filtergehäuses.



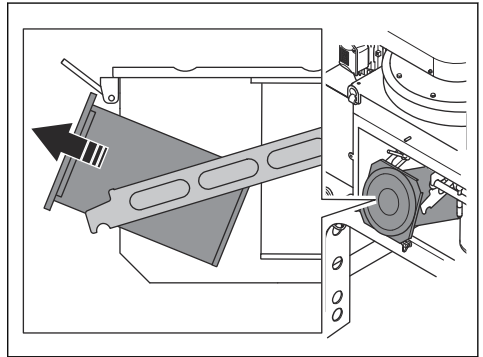
3. Entfernen Sie die Mutter und die Unterlegscheibe.



4. Entfernen Sie die Sicherungsstange und kippen Sie die Filterhalterungen nach unten.

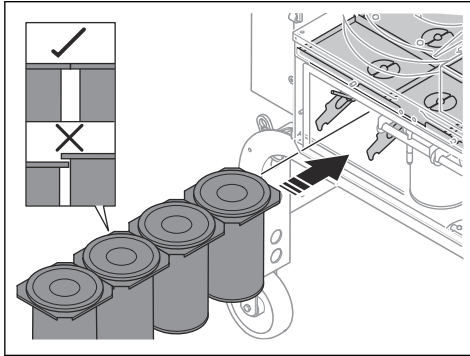


5. Ziehen Sie die 4 Primärfilter heraus und legen Sie sie vorsichtig in einen Plastikbeutel.



**WARNUNG:** Seien Sie vorsichtig, wenn Sie den Primärfilter entfernen. Die Partikel in den Primärfiltern gefährden Ihre Gesundheit.

- Entsorgen Sie den Plastikbeutel ordnungsgemäß. Beachten Sie die lokalen Vorschriften.
- Schieben Sie 4 neue Primärfilter an den Filterhalterungen in das Filtergehäuse ein. Installieren Sie jeweils 1 Filter. Stellen Sie sicher, dass die Kanten der Primärfilter nicht übereinander liegen.



**WARNUNG:** Wenn die Primärfilter nicht richtig eingesetzt sind, kann Staub in die Luft gelangen. Die Staubpartikel sind gesundheitsschädlich.

- Montieren Sie die Sicherungsstange.
- Montieren Sie die Unterlegscheibe und die Mutter. Vergewissern Sie sich, dass zwischen der Unterlegscheibe und der Muttern kein Spiel vorhanden ist.



**ACHTUNG:** Die Mutter und die Unterlegscheibe müssen korrekt an der Schraube montiert werden, mit der der Sicherungshebel befestigt ist. Staub im Filtergehäuse kann das Gewinde der Schraube beschädigen.

- Führen Sie dasselbe Austauschverfahren für die anderen 4 Reihen der Primärfilter durch.
- Montieren Sie die Abdeckung des Filtergehäuses und die 6 Verriegelungsknöpfe.

## So kontrollieren Sie die Riemenspannung des Keilriemens

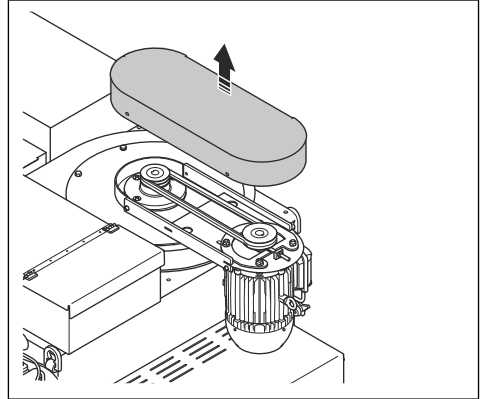


**WARNUNG:** Entfernen Sie die Keilriemenabdeckungen nur, wenn das Gerät von der Steckdose getrennt ist und die Motoren vollständig zum Stillstand gekommen ist.

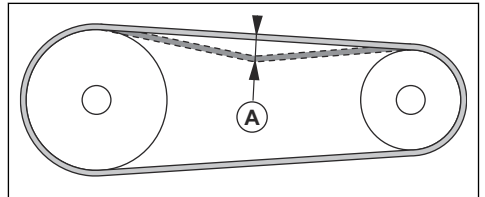


**WARNUNG:** Betreiben Sie das Gerät nicht ohne Keilriemenabdeckungen.

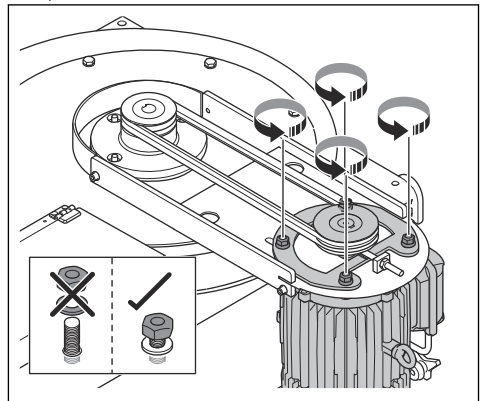
- Stoppen Sie das Gerät. Siehe *So stoppen Sie das Gerät auf Seite 39*.
- Entfernen Sie die Keilriemenabdeckungen.



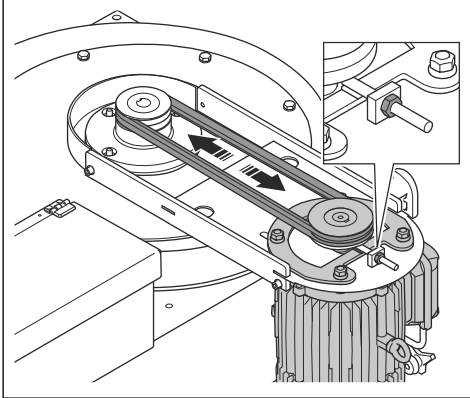
- Überprüfen Sie die Keilriemen auf Beschädigung und Verschleiß. Ersetzen Sie die Keilriemen bei Bedarf.
- Drücken Sie mit Ihrem Daumen auf die Keilriemen, um die Spannung zu prüfen. Wenn Sie die Keilriemen um 10–15 mm/0,4–0,6 Zoll (A) eindrücken können, ist die Spannung korrekt.



- Führen Sie die folgenden Schritte aus, um die Keilriemenspannung bei Bedarf einzustellen.
  - Lösen Sie die 4 Muttern.



- b) Vergrößern Sie den Abstand zwischen Motor und Lager, um die Keilriemen zu spannen. Verringern Sie den Abstand, um die Keilriemen zu lösen.



- c) Ziehen Sie die 4 Muttern fest.

6. Montieren Sie die Keilriemenabdeckungen.

## So ersetzen Sie die Keilriemen



**WARNUNG:** Entfernen Sie die Keilriemenabdeckung nur, wenn das Gerät von der Steckdose getrennt ist und der Motor vollständig zum Stillstand gekommen ist.



**WARNUNG:** Betreiben Sie das Gerät nicht ohne Keilriemenabdeckung.

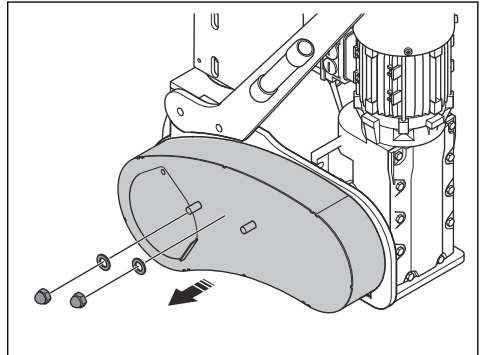
1. Stoppen Sie das Gerät. Siehe *So stoppen Sie das Gerät auf Seite 39*.
2. Entfernen Sie die Keilriemenabdeckung. Siehe *So kontrollieren Sie die Riemenspannung des Keilriemens auf Seite 45*.
3. Verringern Sie den Abstand zwischen Motor und Lager, um die Spannung der Keilriemen zu lösen.
4. Entfernen Sie die Keilriemen und montieren Sie die neuen Keilriemen.
5. Vergrößern Sie den Abstand zwischen Motor und Lager, um die Keilriemen zu spannen. Siehe *So kontrollieren Sie die Riemenspannung des Keilriemens auf Seite 45*.
6. Montieren Sie die Keilriemenabdeckung.

## So nehmen Sie eine Überprüfung der Spannung des Antriebssystems vor

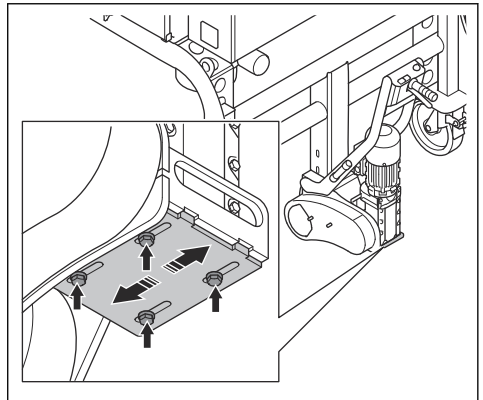


**WARNUNG:** Betreiben Sie das Gerät nicht ohne Kettenabdeckung.

1. Stoppen Sie das Gerät. Siehe *So stoppen Sie das Gerät auf Seite 39*.
2. Entfernen Sie die Kettenabdeckung.



3. Drücken Sie auf die Kette, um die Spannung zu prüfen. Wenn Sie die Kette um 5 mm/0,2 Zoll eindrücken können, ist die Spannung korrekt.
4. Lösen Sie die Muttern.



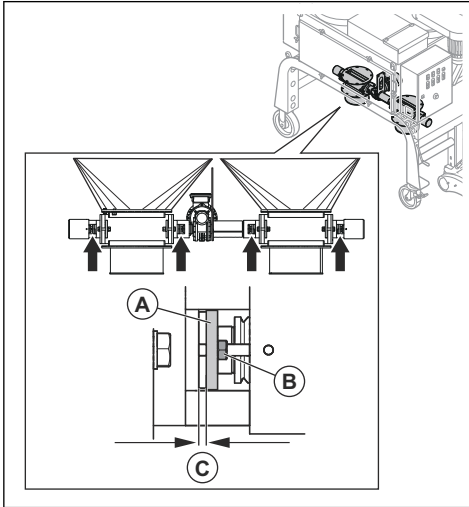
5. Bewegen Sie das Kettenrad, um die Spannung einzustellen.
6. Muttern festziehen.
7. Installieren Sie die Kettenabdeckung.

## So stellen Sie die Stopfbuchsen der Drehventile ein

Wenn Staub an den Stopfbuchsen austritt, müssen die Stopfbuchsen festgezogen werden. Auf jeder Seite der 2 Drehventile befinden sich Stopfbuchsen.

1. Stoppen Sie das Gerät. Siehe *So stoppen Sie das Gerät auf Seite 39*.

2. Stellen Sie sicher, dass die Buchsen (A) senkrecht und nicht schräg stehen.



3. Ziehen Sie die Muttern (B) eine halbe Umdrehung an.



**ACHTUNG:** Ziehen Sie die Muttern nicht zu stark an. Die Stopfbuchsen können sonst beschädigt werden.

4. Stellen Sie sicher, dass der Abstand (C) auf der linken und rechten Seite gleich ist.
5. Starten Sie das Gerät und stellen Sie sicher, dass an den Stopfbuchsen kein Staub austritt.

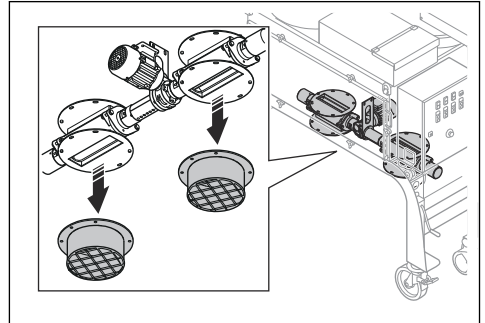
## So ersetzen Sie die Drehventildichtungen



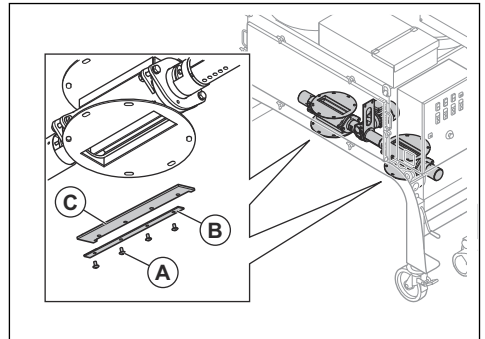
**WARNUNG:** Tragen Sie einen zugelassenen Atemschutz, wenn Sie die Drehventildichtungen ersetzen. Siehe *Persönliche Schutzausrüstung auf Seite 34.*

1. Stoppen Sie das Gerät. Siehe *So stoppen Sie das Gerät auf Seite 39.*
2. Vergewissern Sie sich, dass die Stromversorgung unterbrochen ist.

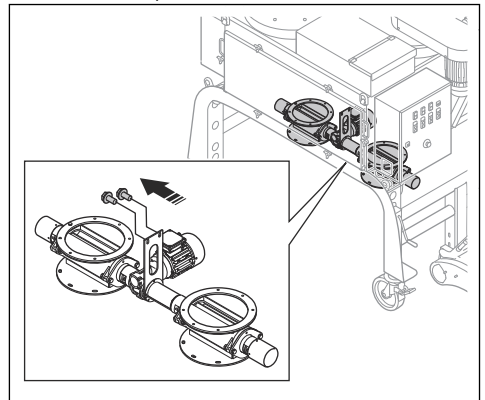
3. Entfernen Sie den BigBag-Beutel und die Staubauslässe.



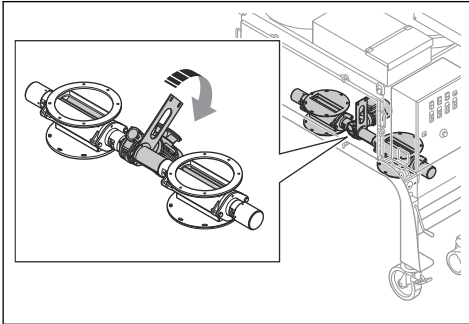
4. Entfernen Sie die 4 Schrauben (A), die Klemmleiste (B) und die Dichtplatte (C) der Drehventildichtung.



5. Entfernen Sie die 2 Schrauben an der Antriebsmotorplatte.



6. Drehen Sie den Antriebsmotor auf, bis Sie den nächsten Satz Dichtplatten entfernen können.



7. Wiederholen Sie den Vorgang, bis alle Dichtplatten entfernt sind.
8. Um neue Dichtplatten zu installieren, führen Sie die folgenden Schritte für jeden Satz Dichtplatten aus:
  - a) Bringen Sie eine Schraubensicherung an die 4 neuen Schrauben an.
  - b) Montieren Sie eine neue Dichtplatte, die Klemmleiste und die 4 Schrauben.
  - c) Ziehen Sie zuerst die 2 Schrauben in der Mitte und dann die Schrauben an beiden Enden der Klemmleiste fest.
9. Stellen Sie sicher, dass die Dichtplatte mit dem Gehäuse des Drehventils ausgerichtet ist und minimal Spiel vorhanden ist.

## Fehlersuche

Problem	Ursache	Lösung
Das Filterreinigungssystem funktioniert nicht ordnungsgemäß.	Es ist kein oder kein ausreichender Druck im Druckbehälter vorhanden.	Überprüfen Sie das Drucksystem.  Reinigen Sie den Kompressorfilter. Siehe <i>So reinigen Sie die Kompressorfilter auf Seite 43</i> .
	Im Druckbehälter befindet sich zu viel Wasser.	Entfernen Sie das gesamte Wasser aus dem Druckbehälter. Siehe <i>So lassen Sie das Wasser aus dem Druckbehälter ab auf Seite 41</i> .
	Die speicherprogrammierbare Steuerung (SPS) arbeitet nicht korrekt oder die Einstellungen sind falsch.	Bitte eine autorisierte Servicewerkstatt kontaktieren.
	Die Kompressorfilter sind verschmutzt.	Reinigen Sie die Kompressorfilter. Siehe <i>So reinigen Sie das Gerät auf Seite 42</i> .
	Der BigBag-Beutel ist nicht richtig angegeschlossen oder hat ein Leck.	Stellen Sie sicher, dass der BigBag-Beutel richtig befestigt ist und kein Loch aufweist.
Die Motoren sind eingeschaltet, aber es ist keine Saugleistung vorhanden.	Die Primärfilter sind verschmutzt.	Reinigen Sie die Primärfilter. Siehe <i>So reinigen Sie die Primärfilter auf Seite 43</i> . Ersetzen Sie die Primärfilter bei Bedarf. Siehe <i>So tauschen Sie die Primärfilter aus auf Seite 44</i> .
	Es gibt ein Leck Im Staubabscheidersystem.	Prüfen Sie die Dichtungen im Staubabscheidersystem auf Undichtigkeiten. Ggf. ersetzen.
	Die Staubabsaugschläuche sind falsch montiert oder beschädigt.	Kontrollieren Sie die Staubabsaugschläuche. Ggf. ersetzen.
	Die Spannung der Keilriemen ist nicht korrekt.	Kontrollieren Sie die Spannung der Keilriemen.
Die Anzeige für die Phasenfolgeregelung leuchtet.	Die Phasen sind nicht korrekt.	Ändern Sie die Phasenfolge. Siehe <i>So ändern Sie die Phasenfolge auf Seite 38</i> .



Problem	Ursache	Lösung
Die Anzeige für Motorfehler leuchtet.	Der Motorschutzschalter wird aufgrund von Motorüberlastung ausgelöst.	Vergewissern Sie sich, dass das empfohlene Netzteil verwendet wird.
		Lassen Sie die Störung von einem Elektriker untersuchen.
Staub tritt mit der Luft aus den Luftstromklappen aus.	Die Primärfilter sind beschädigt oder falsch eingebaut.	Überprüfen Sie die Primärfilter. Bei Bedarf ersetzen, siehe <i>Einleitung auf Seite 37</i> .
Das Gerät gibt ungewöhnliche Geräusche von sich.	Es sind lose Schrauben und Muttern vorhanden.	Ziehen Sie alle Schrauben und Muttern fest.
	Es liegt eine Störung an den Lagern vor.	Bitte eine autorisierte Servicewerkstatt kontaktieren.
	Die Luftstromklappen sind beschädigt.	Überprüfen Sie die Luftstromklappen. Ggf. ersetzen.
Der Druck im Druckbehälter ist weniger als 7 bar.	Der Filter für den Wasserabscheider ist verschmutzt oder beschädigt.	Reinigen Sie den Filter für den Wasserabscheider. Ggf. ersetzen.
	Die Kompressorfilter sind verschmutzt oder beschädigt.	Reinigen Sie die Kompressorfilter. Ggf. ersetzen.
	Es liegt eine Undichtigkeit in den Schläuchen vor.	Bitte eine autorisierte Servicewerkstatt kontaktieren.
	Das Steuerventil ist beschädigt.	Bitte eine autorisierte Servicewerkstatt kontaktieren.
	Das Drucksystem ist beschädigt.	Überprüfen Sie das Drucksystem.

## Transport, Lagerung und Entsorgung

### Transport



**WARNUNG:** Seien Sie beim Transport vorsichtig. Das Gerät ist schwer und kann Verletzungen oder Schäden verursachen, wenn es beim Transport umfällt oder sich bewegt.



**ACHTUNG:** Ziehen Sie das Gerät nicht mit einem Fahrzeug.

- Stellen Sie sicher, dass das Stromkabel und der Staubabsaugschlauch vor dem Transport getrennt sind. Schließen Sie den Lufteinlass, wenn der Staubabsaugschlauch getrennt ist.
- Entfernen Sie den aufgefängenen Staub vor dem Transport.
- Bei kürzeren Strecken können Sie das Gerät mit den Rädern manuell bewegen. Verriegeln Sie die Räder bei längeren Strecken und heben Sie das Gerät an,

um es zu bewegen, oder platzieren Sie es auf einem Fahrzeug.

- Schützen Sie das Gerät während des Transports. Durch diesen Schutz werden Regen und Schnee vom Gerät ferngehalten.
- Stellen Sie vor dem Transport sicher, dass der Druckbehälter keine undichten Stellen aufweist.
- Verwenden Sie das Antriebssystem nur für den Transport, wenn alle anderen Funktionen ausgeschaltet sind.

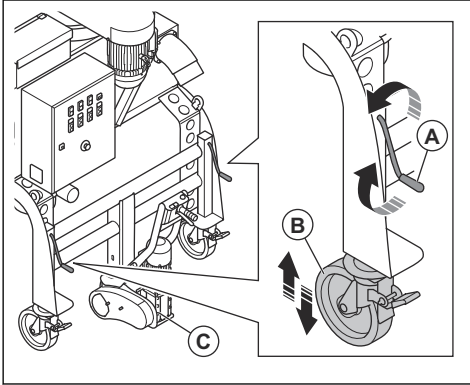
### So aktivieren Sie das Antriebssystem



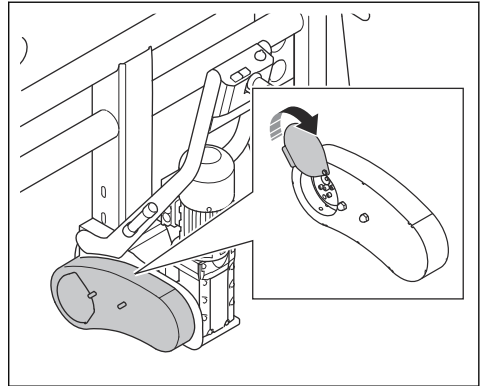
**WARNUNG:** Halten Sie Ihre Hände von rotierenden Teilen fern. Gehen Sie beim Anbringen des Schnellverschlusspins sehr vorsichtig vor.

Bringen Sie den Schnellverschlusspin an, um das Antriebssystem zu aktivieren. Der Schnellverschlusspin befindet sich neben dem Antriebssystem.

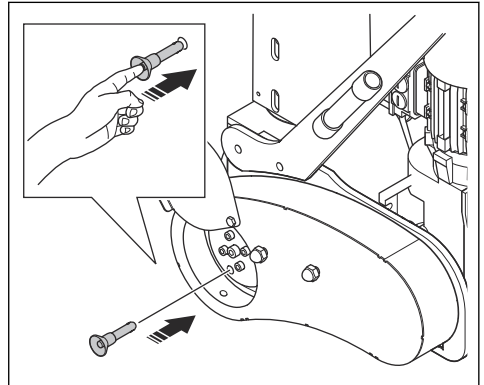
1. Drehen Sie die Handrife für die Höhenverstellung (A), um die Laufrollen (B) abzusenken, bis das Antriebssystem (C) vom Boden abgehoben ist.



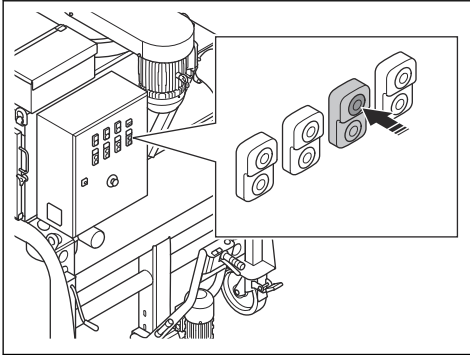
4. Öffnen Sie die Antriebskettenabdeckung.



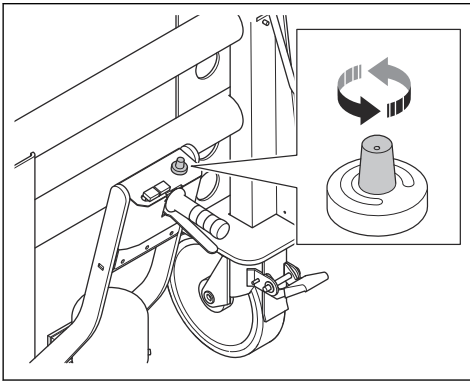
5. Bringen Sie den Schnellverschlusspin an. Halten Sie den Schnellverschlusspin mit einem Finger gedrückt.



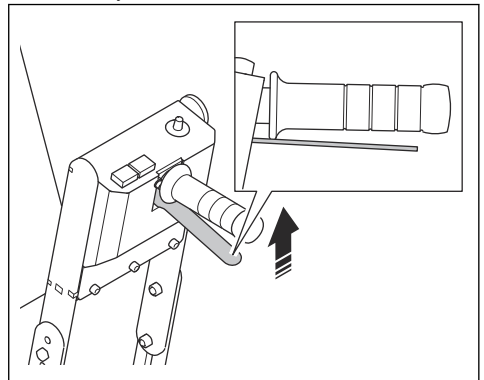
2. Schalten Sie das Antriebssystem ein.



3. Stellen Sie die Bewegungsgeschwindigkeit auf die geringstmögliche Geschwindigkeit ein, ca. 0,5.

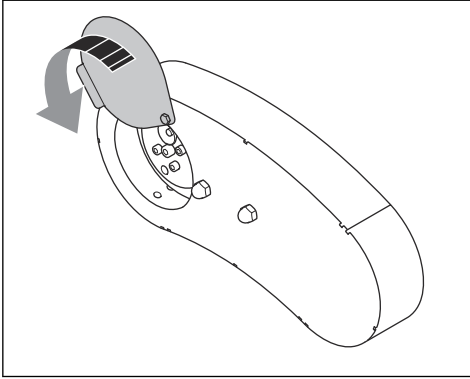


6. Verwenden Sie die andere Hand, um den Hebel des Antriebssystems zu bedienen.



Der Schnellverschlusspin rastet ein, wenn das Antriebssystem aktiviert wird.

7. Schließen Sie die Antriebskettenabdeckung.



8. Drehen Sie die Handgriffe für die Höhenverstellung, um die Laufrollen anzuheben, bis das Antriebssystem auf dem Boden steht.
9. Informationen zum Ausschalten des Antriebssystems finden Sie unter *So deaktivieren Sie das Antriebssystem* auf Seite 51.

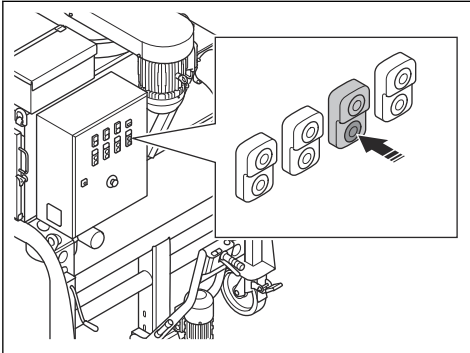
## So deaktivieren Sie das Antriebssystem



**ACHTUNG:** Deaktivieren Sie das Antriebssystem nur, wenn das Gerät auf ebenem Boden geparkt ist.

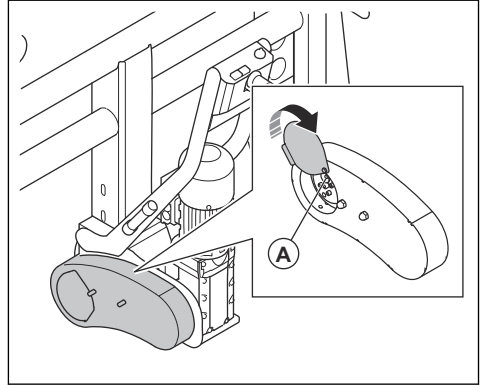
Wenn es notwendig ist, das Gerät bei abgeschaltetem Motor von Hand zu bewegen, muss das Antriebssystem deaktiviert werden.

1. Parken Sie das Gerät auf einem ebenen Untergrund und schalten Sie das Gerät aus.

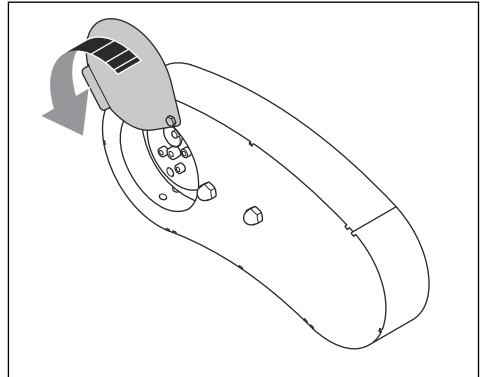


2. Trennen Sie das Netzteil.

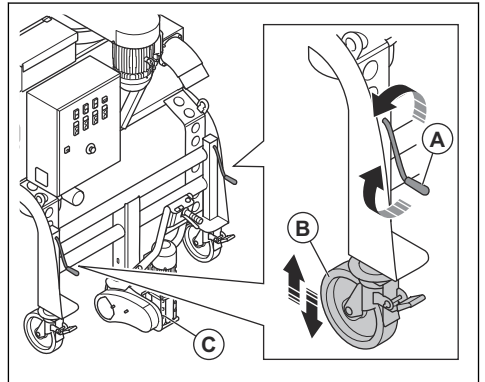
3. Öffnen Sie die Antriebskettenabdeckung.



4. Ziehen Sie den Schnellverschlusspin (A) heraus.
5. Legen Sie den Schnellverschlusspin in seiner Lagerposition ab.
6. Schließen Sie die Antriebskettenabdeckung.



7. Drehen Sie die Handgriffe für die Höhenverstellung (A), um die Laufrollen (B) abzusenken, bis das Antriebssystem (C) vom Boden abgehoben ist.



## So bewegen Sie das Gerät mit dem Antriebssystem



**WARNUNG:** Das Gerät ist schwer und kann Verletzungen verursachen, wenn es umfällt. Seien Sie vorsichtig, wenn Sie das Gerät anheben.

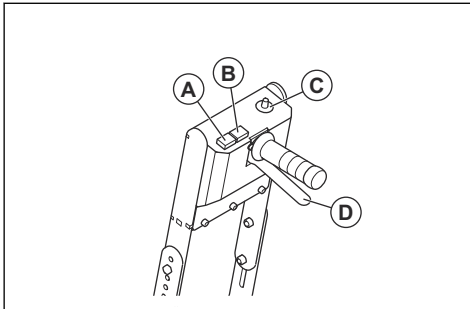


**WARNUNG:** Bewegen Sie das Gerät während des Betriebs nicht.



**WARNUNG:** Tragen Sie Schutzstiefel mit Stahlkappen und rutschfesten Sohlen.

1. Stellen Sie sicher, dass die Palette und der BigBag-Beutel entfernt wurden.
2. Aktivieren Sie das Antriebssystem. Siehe *So aktivieren Sie das Antriebssystem auf Seite 49*.
3. Stellen Sie sicher, dass die Feststellbremse ausgeschaltet ist. Siehe *So betätigen und lösen Sie die Handbremse auf Seite 37*.
4. Stellen Sie die Bewegungsgeschwindigkeit mit dem Drehzahlregler (C) ein.



5. Drücken und halten Sie den Hebel des Antriebssystems (D), um das Gerät nach hinten zu bewegen.
6. Halten Sie die Overdrive-Taste (A) gedrückt, um sich mit maximaler Geschwindigkeit zu bewegen.
7. Halten Sie die Vorwärtstaste (B) gedrückt, um das Gerät vorwärts zu bewegen.

## So bewegen Sie das Gerät eine Rampe hoch bzw. herunter



**WARNUNG:** Seien Sie besonders vorsichtig, wenn Sie das Gerät eine Rampe hoch- bzw. herunterbewegen. Das Gerät ist schwer und kann Verletzungen verursachen, wenn es umfällt oder zu schnell bewegt wird.



**WARNUNG:** Verwenden Sie bei Rampen mit steilem Gefälle immer eine Winde. Laufen bzw. stehen Sie nicht unterhalb oder in der Nähe des Geräts.

- Um das Gerät eine Rampe herunter zu bewegen, fahren Sie es langsam vorwärts.
- Um das Gerät eine Rampe hinauf zu bewegen, fahren Sie es langsam rückwärts.
- Drehen Sie das Gerät nicht um mehr als 45° nach links oder rechts auf einer Rampe.

## So heben Sie das Gerät an



**WARNUNG:** Stellen Sie sicher, dass die Hebevorrichtung den korrekten Spezifikationen entspricht, um das Gerät sicher anheben zu können. Auf dem Typenschild des Geräts ist das Gerätegewicht angegeben.

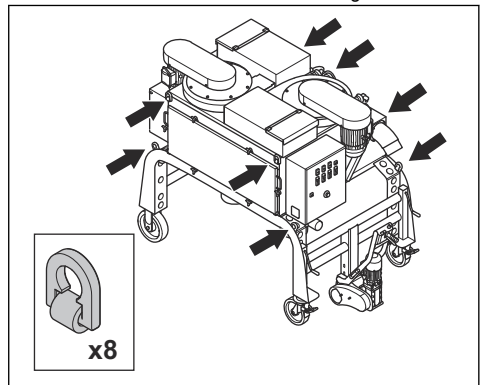


**WARNUNG:** Laufen bzw. stehen Sie nicht unterhalb oder in der Nähe eines hängenden Geräts. Halten Sie Unbeteiligte vom Arbeitsbereich fern.



**WARNUNG:** Heben Sie ein Gerät nicht an, wenn es beschädigt ist. Vergewissern Sie sich, dass die Hebeösen richtig montiert und unbeschädigt sind.

1. Entfernen Sie den BigBag-Beutel vom Gerät.
2. Führen Sie Gurte durch die 8 Hebeösen und heben Sie das Gerät mit einer Hubvorrichtung an.



3. Heben Sie das Gerät langsam an.

## So befestigen Sie das Gerät auf einem Transportfahrzeug

Befestigen Sie das Gerät mit den Hebeösen am Transportfahrzeug.

1. Befestigen Sie die Zurrgurte in den Hebeösen.
2. Befestigen Sie die Zurrgurte am Transportfahrzeug und ziehen Sie sie fest.

## Lagerung

---



**ACHTUNG:** Lagern Sie das Gerät nicht im Freien. Lagern Sie das Gerät immer in einem Gebäude.

---

- Bewahren Sie das Gerät in einem trockenen und frostfreien Raum auf.
- Reinigen Sie das Gerät und führen Sie umfassende Wartungsarbeiten durch, bevor Sie es längere Zeit einlagern.
- Bewahren Sie das Gerät in einem verschlossenen Bereich auf, um einen unerlaubten Zugriff durch Kinder oder andere Personen zu verhindern.
- Entfernen Sie Staub aus dem Staubabscheider.

## So entsorgen Sie das Gerät

- Befolgen Sie die örtlichen Recyclinganforderungen und geltenden Vorschriften.
- Wenn Sie das Gerät nicht mehr benutzen, senden Sie es an einen Husqvarna-Händler oder entsorgen Sie es bei einer Recyclingstelle.

## Technische Daten

	DC 2-48	DC 2-48
Nennleistung, W	18370	18740
Nennspannung, V	400	480
Nennfrequenz, Hz	50	60
Nennstrom, A	32	30
Kabellänge, m/ft.	25/82	25/82
Anschlusskabelart	4×6 mm <sup>2</sup>	4×10AWG
Max. Luftstrom, m <sup>3</sup> /h	4400	4400
Max. Unterdruck, mbar	64	64
Max. Steigfähigkeit bei der Reinigung, Grad/%	10/18	10/18
Gewicht, kg	1107/2441	1107/2441
Betriebstemperatur, °C/°F	-10-45/14-113	-10-45/14-113
Durchmesser Staubschlauchanschluss, mm/Zoll	2×150/2×6	2×150/2×6

**Hinweis:** Wenn für Ihr Gerät nicht in der Tabelle aufgeführte elektrische Spezifikationen erforderlich sind,

wenden Sie sich an eine Husqvarna-Servicewerkstatt für weitere Informationen.

### Geräuschemissionen

Schalldruckpegel am Ohr des Bedieners, LP dB (A) <sup>4</sup>	85
Schalleistungspegel, gemessen LWA dB (A) <sup>5</sup>	101

### Konformitätserklärung für Geräusche und Vibrationen

Diese erklärten Werte wurden in Laborversuchen in Übereinstimmung mit der aufgeführten Richtlinie oder Norm ermittelt und eignen sich für einen Vergleich mit Wertdeklarationen anderer Produkte, die nach der gleichen Richtlinie bzw. Norm geprüft wurden. Diese Wertdeklarationen eignen sich nicht

zur Verwendung in Risikobewertungen, zudem können die an einzelnen Arbeitsplätzen gemessenen Werte höher sein. Die tatsächlichen Belastungswerte und das Gefährdungsrisiko eines individuellen Benutzers sind immer spezifisch und davon abhängig, wie der Benutzer arbeitet, in welchem Material das Produkt eingesetzt wird, sowie von der Belastungszeit, dem Gesundheitszustand des Benutzers und dem Gerätezustand.

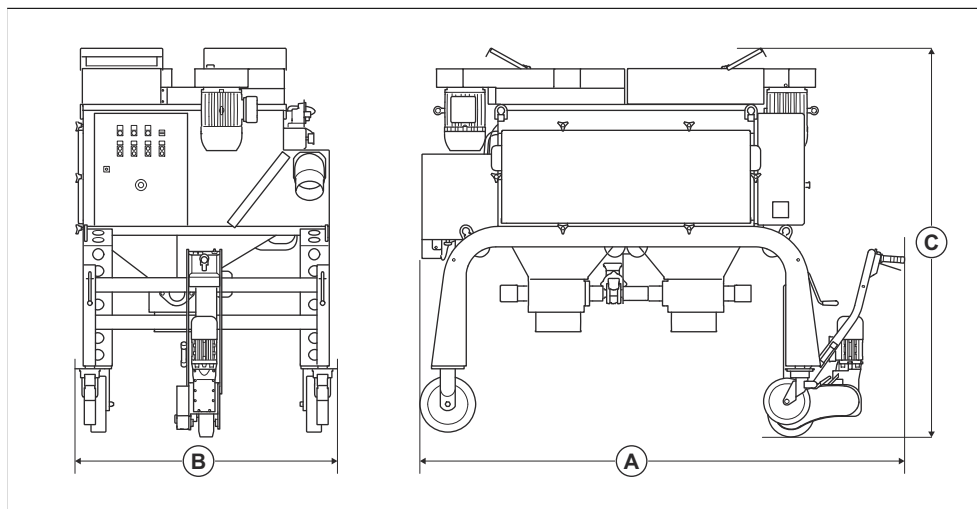
<sup>4</sup> Schalldruckpegel gemessen gemäß EN ISO 11202. Gemessen auf Betonoberfläche. Unsicherheit kPa 2,5 dB.

<sup>5</sup> Schalleistungspegel, gemessen gemäß EN ISO 3747. Gemessen auf Betonoberfläche. Unsicherheit KWA 2,5 dB.

## Verlängerungskabel

Kabellänge	Querschnitt			
	≤ 16 A	≤ 32 A	≤ 63 A	≤ 125 A
Berechnet bei einer Vorsicherung GG <sup>6</sup> :	16 A	32 A	63 A	125 A
> 20m	1,5 mm <sup>2</sup>	2,5 mm <sup>2</sup>	10 mm <sup>2</sup>	25 mm <sup>2</sup>
20 m > 50 m	2,5 mm <sup>2</sup>	4 mm <sup>2</sup>	10 mm <sup>2</sup>	25 mm <sup>2</sup>
50m > 75m	4 mm <sup>2</sup>	6 mm <sup>2</sup>	16 mm <sup>2</sup>	35 mm <sup>2</sup>

## Gerätemaße



<b>A</b>	Länge, mm/Zoll	2293/90
<b>B</b>	Breite, mm/Zoll	1410/56
<b>D</b>	Höhe, mm/Zoll	1956/77

<sup>6</sup> Die Querschnitte müssen neu berechnet werden, wenn andere Vorsicherungen verwendet werden als angegeben.

---

## Zubehör

---

<b>Verfügbares Zubehör</b>	<b>Artikelnummer</b>
Primärfilterpatrone M-Klasse	533969201
BigBag 385 l	533993301



---

# Konformitätserklärung

---

## EU-Konformitätserklärung

Die Husqvarna AB, SE-561 82 Huskvarna, Schweden,  
Tel.: +4636-146500, erklärt in alleiniger Verantwortung,  
dass das Gerät:

Beschreibung	Staubabscheider
Marke	Husqvarna
Typ/Modell	DC 2-48
Identifizierung	Seriennummern ab 2023

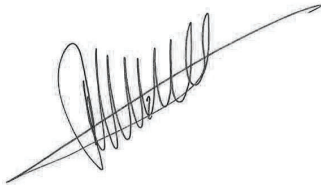
die folgenden EU-Richtlinien und -Verordnungen erfüllt:

Richtlinie/Verordnung	Beschreibung
2006/42/EG	„Maschinenrichtlinie“
2014/30/EU	„EMV-Richtlinie“

und dass die folgenden Normen und/oder technischen  
Daten angewendet werden;

EN ISO 12100:2010, EN 60204-1:2006

Partille, 2023-05-01



René van der Grint

Leiter CS&F INFRA, Produktkategorie Betonflächen und  
-böden

Husqvarna AB, Construction Division

Verantwortlich für die technische Dokumentation



---

## Sommaire

---

Introduction.....	58	Transport, entreposage et mise au rebut.....	79
Sécurité.....	61	Caractéristiques techniques .....	84
Utilisation.....	66	Accessoires.....	86
Entretien.....	70	Déclaration de conformité.....	87
Recherche de pannes.....	78		

---

## Introduction

---

### Description du produit

Le produit est un aspirateur fonctionnant avec des moteurs électriques. La poussière traverse les tuyaux de l'aspirateur et pénètre dans les entrées de poussière. Le produit recueille les particules de poussière contenues dans l'air.

### Utilisation prévue

---



**AVERTISSEMENT:** ne recueillez pas de sources d'inflammation, de particules

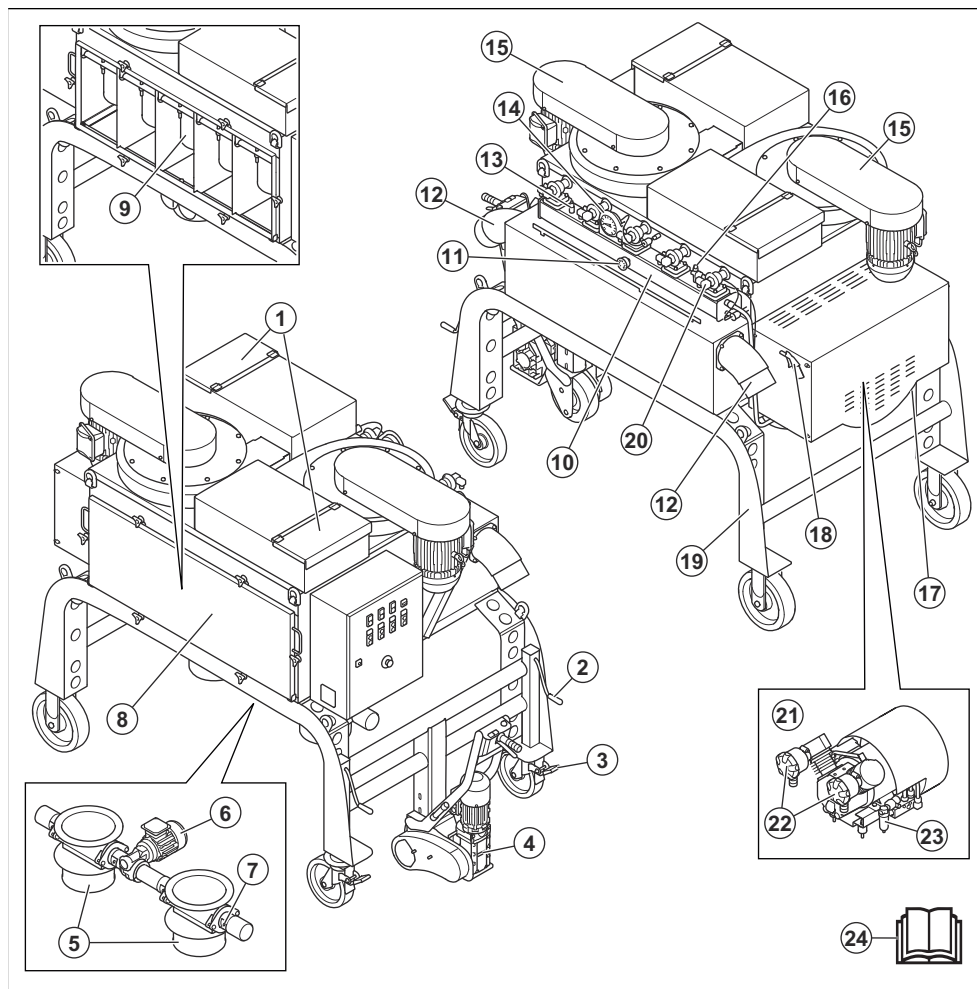
chaudes, de liquides, de matériaux explosifs et de particules instables ou pyrophoriques.

---

Ce produit est à usage professionnel uniquement. Ce produit est conçu pour une utilisation en intérieur et en extérieur dans des conditions sèches avec une grenailleuse Husqvarna adaptée. Ce produit sert à aspirer en milieu sec la poussière et les particules du matériau enlevé par la grenailleuse. Ces matériaux peuvent être dangereux et nocifs pour la santé.

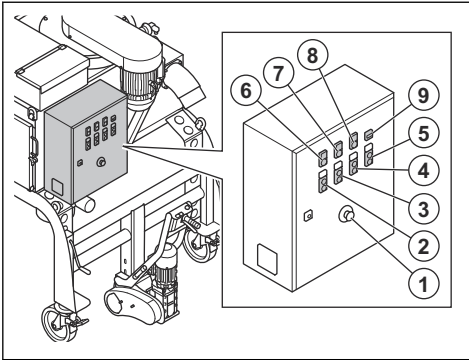
N'utilisez pas ce produit pour d'autres travaux. Utilisez uniquement le produit avec des accessoires approuvés par le fabricant.

## Aperçu du produit



- |  |  |
|--|--|
| 1. Trappes de débit d'air                                      | 12. Prises d'air                               |
| 2. Poignée de réglage de la hauteur de la roulette             | 13. Vanne de sécurité du réservoir de pression |
| 3. Frein de stationnement                                      | 14. Manomètre à dépression                     |
| 4. Système d'entraînement avec goupille à déclenchement rapide | 15. Ventilateurs                               |
| 5. Vannes rotatives  | 16. Vanne de commande du réservoir de pression |
| 6. Moteur d'entraînement des vannes rotatives                  | 17. Bac de vidange                             |
| 7. Écrou de réglage du joint de presse-étoupe                  | 18. Buse d'air sous pression                   |
| 8. Volet du filtre   | 19. Plaque signalétique                        |
| 9. Filtres primaires   | 20. Vanne d'impulsion                          |
| 10. Réservoir de pression                                      | 21. Compresseur d'air                          |
| 11. Manomètre  | 22. Filtres du compresseur d'air               |
|  | 23. Séparateur d'eau                           |

## Aperçu du panneau de commande



1. Bouton d'arrêt d'urgence
2. Bouton ON/OFF du compresseur d'air
3. Bouton ON/OFF du ventilateur
4. Bouton ON/OFF du système d'entraînement
5. Bouton ON/OFF de la vanne rotative
6. Témoin de phase incorrecte
7. Témoin de protection du moteur
8. Témoin d'alimentation
9. Compteur horaire

## Symboles concernant le produit



Avertissement : ce produit peut être dangereux et causer des blessures graves, voire mortelles, à l'opérateur ou à d'autres personnes. Soyez prudent et utilisez le produit correctement.



haute tension.



Point de levage.



Aucun point de levage.



Éloignez vos mains des pièces rotatives.



Lisez avec attention le manuel d'utilisation et assurez-vous de bien comprendre les instructions avant d'utiliser ce produit.



Portez une protection respiratoire homologuée.



Utilisez des protège-oreilles homologués.



Utilisez des protections pour les yeux homologuées.



Utilisez des gants de protection homologués.



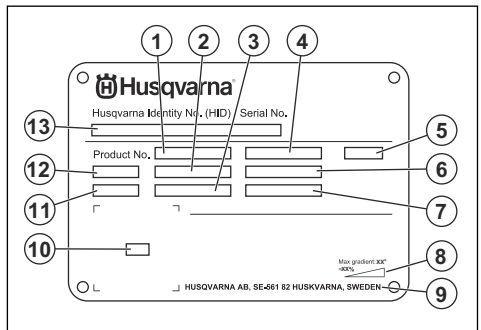
Utilisez des bottes de protection homologuées.



Ce produit est conforme aux directives de l'UE en vigueur.

**Remarque:** les autres symboles/autocollants présents sur le produit concernant des exigences de certification spécifiques à certains marchés.

## Plaque signalétique



1. Référence de produit
2. Poids du produit
3. Puissance nominale
4. Tension nominale

5. Boîtier
6. Intensité nominale
7. Fréquence
8. Angle de pente maximal
9. fabricant
10. QR code
11. Année de production
12. Modèle
13. Numéro de série

- le produit n'est pas correctement réparé ;
- le produit est réparé avec des pièces qui ne proviennent pas du fabricant ou qui ne sont pas homologuées par le fabricant ;
- le produit est équipé d'un accessoire qui ne provient pas du fabricant ou qui n'est pas homologué par le fabricant ;
- le produit n'est pas réparé par un centre d'entretien agréé ou par une autorité homologuée.

## Responsabilité

Conformément à la loi sur la responsabilité du fait des produits, nous déclinons toute responsabilité pour tout dommage causé par notre produit si :

---

## Sécurité

---

### Définitions de sécurité

Des avertissements, des recommandations et des remarques sont utilisés pour souligner des parties spécialement importantes du manuel.



**AVERTISSEMENT:** Symbole utilisé en cas de risque de blessures ou de mort pour l'opérateur ou les personnes à proximité si les instructions du manuel ne sont pas respectées.



**REMARQUE:** Symbole utilisé en cas de risque de dommages pour le produit, d'autres matériaux ou les environs si les instructions du manuel ne sont pas respectées.

**Remarque:** Symbole utilisé pour donner des informations supplémentaires pour une situation donnée.

### Instructions générales de sécurité



**AVERTISSEMENT:** lisez les instructions qui suivent avant d'utiliser le produit.

- Ce produit est un outil dangereux si vous ne faites pas attention ou si vous l'utilisez de manière incorrecte. Ce produit peut causer des blessures graves, voire mortelles, à l'opérateur ou à d'autres personnes. Avant d'utiliser le produit, il convient de lire attentivement et de bien comprendre les instructions contenues dans ce manuel de l'opérateur.
- Ce produit n'est pas destiné à une utilisation par des personnes, notamment des enfants, aux capacités physiques, sensorielles ou mentales limitées ou

manquant d'expérience et de connaissances, sauf si elles bénéficient de la surveillance ou des instructions concernant l'utilisation de l'appareil de la part d'une personne responsable de leur sécurité.

- Conservez tous les avertissements de sécurité et toutes les instructions.
- Respectez l'ensemble des lois et réglementations applicables.
- L'opérateur et son employeur doivent connaître et éviter tout risque au cours de l'utilisation du produit.
- Ne laissez personne utiliser le produit avant d'avoir lu et compris le contenu du manuel de l'opérateur.
- N'utilisez pas le produit sauf si vous bénéficiez d'une formation préalable. Assurez-vous que tous les opérateurs suivent une formation.
- Ne laissez pas un enfant utiliser le produit.
- Seules les personnes autorisées peuvent utiliser le produit.
- L'utilisateur est tenu responsable des accidents auxquels il expose autrui ou ses biens.
- N'utilisez jamais l'appareil si vous êtes fatigué ou malade, ou si vous êtes sous l'emprise d'alcool, de drogues ou de médicaments.
- Soyez toujours prudent et utilisez votre bon sens.
- Maintenez le produit propre. Assurez-vous que vous pouvez lire clairement les avertissements et les autocollants.
- N'utilisez pas le produit s'il est endommagé ou s'il ne fonctionne pas correctement.
- Ne modifiez pas le produit.
- N'utilisez pas le produit s'il est susceptible d'avoir été modifié par d'autres personnes.

### Instructions de sécurité pour le fonctionnement



**AVERTISSEMENT:** lisez les instructions qui suivent avant d'utiliser le produit.

- utilisez un équipement de protection individuel. Reportez-vous à *Équipement de protection individuel* à la page 63.
- N'utilisez pas le produit sans les caches de protection.
- Assurez-vous de savoir comment couper le moteur rapidement en cas d'urgence.
- avant de vous éloigner du produit, coupez le moteur et débranchez le cordon d'alimentation. Assurez-vous qu'il n'y a aucun risque de démarrage accidentel.
- Maintenez les cheveux, les vêtements amples et toutes les parties du corps à l'écart des ouvertures et des pièces mobiles.
- Veillez à vous tenir dans une position stable et sûre pendant l'utilisation du produit.
- Vérifiez l'absence de vis ou d'écrous desserrés.
- Utilisez uniquement des accessoires homologués. Pour plus d'informations, contactez votre revendeur Husqvarna.
- Assurez-vous que le tuyau d'extraction de poussière est correctement fixé au produit à l'aide de colliers de serrage et de ruban adhésif industriel.
- Assurez-vous que les freins de stationnement sont engagés et que votre position est sûre et stable pendant l'utilisation du produit.
- Vérifiez régulièrement le contenu du système de stockage de la poussière au bas du produit. Portez toujours un masque antipoussière lorsque vous videz le système de stockage de la poussière. Respectez les réglementations locales lorsque vous jetez la poussière.
- Ne dirigez pas le tuyau d'extraction de poussière vers des personnes.
- Vérifiez l'absence d'huile ou de graisse sur les poignées.
- N'utilisez pas le produit pour recueillir de l'eau ou d'autres liquides.
- N'utilisez pas le produit pour recueillir des objets chauds, brûlants ou incandescents.
- N'utilisez pas le produit pour recueillir des liquides inflammables ou combustibles.
- N'utilisez pas le produit pour recueillir des poussières dangereuses.
- Arrêtez immédiatement le produit si de la poussière s'échappe de l'ensemble filtre. Les filtres primaires sont endommagés ou mal installés.
- N'utilisez pas la machine sans sac à poussière et/ou sans filtres. Remplacez le sac à poussière et le système de filtres comme indiqué dans ce manuel.
- Le fonctionnement du produit peut générer de la poussière dans l'air. La poussière peut provoquer des blessures graves et des problèmes de santé irréversibles. Plusieurs organismes classent la poussière de silice parmi les poussières dangereuses. Voici quelques exemples de problèmes de santé pouvant être causés :
  - Maladies pulmonaires mortelles telles que la bronchite chronique, la silicose et la fibrose pulmonaire
  - Cancer
  - Anomalies congénitales
  - Inflammation de la peau.
- Utilisez un équipement adapté permettant de réduire la quantité de poussière et de fumées dans l'air et de diminuer la poussière présente sur les équipements de travail, les surfaces, les vêtements et les parties du corps. Par exemple, des systèmes de collecte de la poussière. Réduisez la quantité de poussière au niveau de la source, dans la mesure du possible. Assurez-vous que l'équipement est correctement installé et utilisé, et qu'un entretien régulier est effectué.
- Portez une protection respiratoire homologuée. Assurez-vous que la protection respiratoire est adaptée aux matériaux dangereux dans la zone de travail.
- Assurez-vous que la zone de travail est suffisamment aérée.
- Il incombe à l'utilisateur d'analyser la surface à traiter. La surface ne doit contenir aucune substance susceptible de présenter un risque d'incendie, d'explosion ou pour la santé lorsqu'elle est traitée. L'utilisateur doit effectuer une évaluation des risques sur la base des informations obtenues sur la surface à traiter et prendre les précautions appropriées pour le travail à effectuer.

## Sécurité relative au bruit



**AVERTISSEMENT:** Lisez les instructions qui suivent avant d'utiliser le produit.

- Des niveaux sonores élevés et une exposition prolongée au bruit peuvent provoquer une perte auditive.
- Afin de maintenir le niveau sonore au minimum, effectuez l'entretien et utilisez le produit comme indiqué dans le manuel d'utilisation.
- Utilisez des protège-oreilles homologués pendant l'utilisation du produit.
- Soyez attentif aux signaux d'alerte et aux appels lorsque vous portez des protège-oreilles. Retirez les protège-oreilles lorsque le produit est arrêté, sauf si les protège-oreilles sont nécessaires en raison du niveau sonore dans la zone de travail.

## Sécurité antipoussière



**AVERTISSEMENT:** lisez les instructions qui suivent avant d'utiliser le produit.

## Équipement de protection individuel



**AVERTISSEMENT:** lisez les instructions qui suivent avant d'utiliser le produit.

- Portez toujours un équipement de protection individuel homologué lorsque vous utilisez le produit. L'équipement de protection individuel ne protège pas complètement des blessures, mais il diminue la gravité des blessures en cas d'accident. Faites appel à votre revendeur pour vous aider à sélectionner l'équipement de protection individuel adéquat et vous indiquer quand l'utiliser.
- Vérifiez régulièrement l'état de votre équipement de protection individuel.
- Utilisez des protège-oreilles homologués.
- Portez une protection respiratoire homologuée.
- Utilisez des protections pour les yeux homologuées avec protections latérales.
- utilisez des gants de protection.
- Utilisez des bottes avec coquille en acier et semelles antidérapantes.
- Utilisez des vêtements de travail homologués ou des vêtements près du corps équivalents dotés de manches longues et d'un pantalon.

## Sécurité dans la zone de travail



**AVERTISSEMENT:** lisez les instructions qui suivent avant d'utiliser le produit.

- N'utilisez pas le produit en cas de brouillard, pluie, vents violents, risque de foudre ou autres conditions climatiques.
- Éloignez les animaux, les enfants et toute personne de la zone de travail et à une distance de 5 m/17 pi minimum du produit.
- Assurez-vous que seules les personnes autorisées se trouvent dans la zone de travail.
- Maintenez un espace de travail propre et bien éclairé. Les espaces encombrés ou sombres exposent à des accidents.
- Assurez-vous que les surfaces rugueuses, telles que les joints soudés ou les joints au sol, n'arrêtent pas le produit.
- Assurez-vous qu'aucun câble ou tuyau n'est présent dans le sens de marche du produit.
- Assurez-vous qu'il y ait une circulation d'air suffisante dans la zone de travail.
- Assurez-vous qu'il n'y ait pas de liquides inflammables dans la zone de travail.
- Cet appareil n'est pas adapté à une utilisation dans des endroits classés (dangereux), pour aspirer les poussières ou les liquides présentant un risque d'explosion élevé, ni les mélanges de poussières combustibles et de liquides.

- N'aspirez aucun objet brûlant ou incandescent, comme des cigarettes, des allumettes ou des cendres chaudes.
- Le produit ne doit pas servir à aspirer des liquides inflammables, tels que de l'essence, ni être utilisé dans des zones où des vapeurs inflammables peuvent être présentes.

## Sécurité électrique



**AVERTISSEMENT:** les produits électriques présentent toujours un risque d'électrocution. N'utilisez pas le produit dans de mauvaises conditions météorologiques. Ne touchez pas de paratonnerres ni d'objets métalliques. Utilisez toujours le produit comme indiqué dans ce manuel d'utilisation pour éviter les blessures.



**AVERTISSEMENT:** utilisez toujours une alimentation électrique avec RCD (disjoncteur différentiel de fuite à la terre). L'utilisation d'un RCD permet de réduire le risque de choc électrique.



**AVERTISSEMENT:** haute tension. Il y a des pièces non protégées dans l'unité électrique. Débranchez toujours le produit de la fiche d'alimentation avant d'ouvrir la porte du boîtier électrique.



**REMARQUE:** l'alimentation électrique du produit ou du générateur doit être suffisamment puissante et constante pour que le moteur puisse fonctionner sans problème. Une tension incorrecte provoque l'augmentation de la consommation d'énergie et de la température du moteur jusqu'au déclenchement du circuit de sécurité. Les dimensions du cordon d'alimentation doivent être conformes aux réglementations nationales et locales. Les dimensions de la prise de courant murale doivent être conformes à l'ampérage de la prise électrique et du câble de rallonge du produit.

Si la résistance du secteur est plus élevée, de brèves chutes de tension peuvent se produire au démarrage du produit. Cela peut affecter le fonctionnement d'autres produits ; les lampes peuvent par exemple vaciller.

- La fiche d'alimentation doit être adaptée à la prise. N'apportez jamais de modifications à la fiche. N'utilisez pas de fiches d'adaptation avec des outils mis à la terre (masse). Des fiches non modifiées et des prises compatibles réduiront le risque d'électrocution.

- Évitez tout contact physique avec les surfaces mises à la terre telles que les tuyaux, les radiateurs, les cuisinières et les réfrigérateurs. Le risque d'électrocution est plus important si le corps est relié à la terre.
- Assurez-vous que la tension d'alimentation, des fusibles et du secteur est identique à celle indiquée sur la plaque signalétique du produit.
- Arrêtez toujours le produit avant de débrancher la fiche d'alimentation.
- Débranchez toujours la fiche d'alimentation en cas d'arrêt prolongé du produit.
- N'utilisez pas le produit si le cordon d'alimentation ou la fiche d'alimentation sont endommagés. Si le cordon d'alimentation est endommagé, il doit être remplacé par le fabricant, son agent d'entretien ou toute autre personne habilitée afin d'éviter tout danger. Un cordon d'alimentation endommagé peut provoquer des blessures graves, voire mortelles.
- Utilisez le cordon d'alimentation correctement. N'utilisez pas le cordon d'alimentation pour déplacer, tirer ou débrancher le produit. Tirez sur la fiche d'alimentation pour débrancher le câble d'alimentation. Ne tirez pas le cordon d'alimentation.
- Tenez le produit à l'abri de la pluie. L'eau qui s'infiltre dans le produit augmente le risque d'électrocution.
- Débranchez toujours de cordon d'alimentation avant de brancher ou débrancher la connexion du câble du moteur et du boîtier électrique.
- Afin d'éviter tout danger dû à une réinitialisation accidentelle du disjoncteur thermique, cet appareil ne doit pas être alimenté par un dispositif de commutation externe, tel qu'une minuterie, ou connecté à un circuit régulièrement mis sous et hors tension par le fournisseur d'électricité.
- Assurez-vous que l'alimentation électrique du produit est fournie par des unités d'alimentation électrique distinctes qui sont utilisées à des fins industrielles uniquement.

Utilisez uniquement des rallonges extérieures mises à la terre avec des fiches de mise à la terre et une prise de mise à la terre acceptant la fiche d'alimentation du produit.

Le produit est équipé d'un cordon d'alimentation de mise à la terre et d'une prise de courant. Branchez systématiquement le produit sur une prise secteur mise à la terre. Cela réduit le risque de choc électrique.

N'utilisez pas d'adaptateurs électriques avec le produit.

### Rallonges

- Utilisez uniquement des rallonges homologuées avec des propriétés adéquates.
- La valeur nominale sur la rallonge doit être identique ou supérieure à celle indiquée sur la plaque signalétique du produit.
- Utilisez des rallonges mises à la terre.
- Lorsque vous utilisez l'outil à l'extérieur, utilisez une rallonge adaptée à un usage extérieur. Cela réduit le risque de choc électrique.
- Maintenez la connexion de la rallonge au sec et au-dessus du sol.
- Maintenez la rallonge à l'écart de la chaleur, d'huile, des bords tranchants ou des pièces mobiles. Un câble endommagé augmente le risque de choc électrique.
- Assurez-vous que la rallonge est en bon état et non endommagée.
- N'utilisez pas la rallonge lorsqu'elle est enroulée. Cela peut entraîner une surchauffe de la rallonge.
- Assurez-vous que la rallonge se trouve en dehors du passage et du produit pendant le fonctionnement. Cela empêche toute dégradation de la rallonge.

### Dispositifs de sécurité sur le produit



**AVERTISSEMENT:** lisez les instructions qui suivent avant d'utiliser le produit.

- N'utilisez pas le produit si les dispositifs de sécurité sont endommagés ou ne fonctionnent pas correctement.
- Contrôlez les dispositifs de sécurité quotidiennement. Si vos dispositifs de sécurité sont endommagés ou ne fonctionnent pas correctement, contactez votre atelier spécialisé Husqvarna.
- N'apportez pas de modifications aux dispositifs de sécurité

### Bouton d'arrêt d'urgence

Le bouton d'arrêt d'urgence est utilisé pour arrêter rapidement le produit et couper l'alimentation électrique du secteur.

### Instructions pour produit mis à la terre



**AVERTISSEMENT:** un mauvais branchement peut provoquer un choc électrique. Consultez un électricien agréé si vous n'êtes pas certain que votre prise secteur soit correctement mise à la terre.

Ne modifiez pas la prise de courant par rapport à ses spécifications d'usine. Si la fiche ou le cordon d'alimentation est endommagé ou doit être remplacé, contactez votre atelier spécialisé Husqvarna. Respectez la législation et les réglementations locales.

Si vous n'avez pas bien compris les instructions de mise à la terre du produit, consultez un électricien homologué.



## Contrôle du bouton d'arrêt d'urgence

Reportez-vous à la section *Aperçu du panneau de commande* à la page 60 pour connaître l'emplacement du bouton d'arrêt d'urgence sur votre produit.

1. Tournez le bouton d'arrêt d'urgence dans le sens des aiguilles d'une montre pour vous assurer qu'il est désengagé.
2. Faites démarrer le produit. Reportez-vous à la section *Démarrage du produit* à la page 68.
3. Appuyez sur le bouton d'arrêt d'urgence.
4. Assurez-vous que le moteur s'arrête.
5. Tournez le bouton d'arrêt d'urgence dans le sens des aiguilles d'une montre pour le désengager.

## Disjoncteur du moteur

Le produit est doté de plusieurs disjoncteurs de moteur pour éviter la surcharge du moteur. Demandez à un électricien de vérifier les disjoncteurs du moteur en cas de surcharge du moteur.

## Instructions de sécurité pour l'entretien



**AVERTISSEMENT:** Lisez les avertissements suivants avant d'effectuer l'entretien du produit.

- Des accidents liés au produit peuvent survenir pendant la recherche de pannes, l'entretien et la maintenance, car l'opérateur doit se trouver dans la zone à risque du produit. L'opérateur doit être prudent, planifier et préparer le travail pour éviter les accidents.
- Si l'entretien n'est pas effectué correctement et régulièrement, le risque de blessures et d'endommagement du produit augmente.
- Utilisez un équipement de protection individuel. Reportez-vous à *Équipement de protection individuel* à la page 63.
- Avant tout travail d'entretien, débranchez le produit de la source d'alimentation.
- Ne modifiez pas le produit. Les modifications apportées au produit qui ne sont pas approuvées par le fabricant peuvent causer des blessures graves, voire mortelles.
- Utilisez toujours les accessoires et les pièces de rechange d'origine. Les accessoires et les pièces de rechange qui ne sont pas approuvés par le fabricant peuvent causer des blessures graves, voire mortelles.
- Remplacez les pièces endommagées, usées ou cassées.
- Effectuez uniquement les tâches d'entretien décrites dans le présent manuel d'utilisation. Laissez un atelier spécialisé agréé se charger de toutes les autres opérations d'entretien.
- Si le remplacement du cordon d'alimentation s'avère nécessaire, il doit être effectué par le constructeur ou son agent afin d'éviter tout risque pour la sécurité.
- Seul un électricien agréé doit effectuer tous les contrôles des composants électriques.
- Soyez prudent lors de la manipulation des filtres. Si vous endommagez les filtres, il existe un risque de dispersion de la poussière.
- Le fabricant ou une personne qualifiée doit effectuer une inspection technique au moins une fois par an. L'inspection technique comprend l'inspection des filtres pour vérifier l'absence de dommages, l'étanchéité à l'air du produit et le bon fonctionnement du mécanisme de commande. En outre, l'efficacité de filtration du produit doit être testée au moins une fois par an, ou plus fréquemment, selon les exigences nationales. Si le test n'est pas effectué, les filtres principaux doivent être remplacés par des filtres neufs.
- Lors d'opérations d'entretien ou de réparation, tous les éléments contaminés qui ne peuvent pas être nettoyés de manière satisfaisante doivent être mis au rebut ; ces éléments doivent être mis au rebut dans des sacs imperméables conformément aux réglementations en vigueur concernant l'élimination de ces déchets.
- Toutes les pièces de la machine doivent être considérées comme contaminées lorsqu'elles sont retirées de la zone de travail et les mesures appropriées doivent être prises pour empêcher la dispersion de la poussière.
- L'extérieur de la machine doit être décontaminé par des méthodes d'aspiration et essuyé ou traité avec du produit d'étanchéité avant d'être sorti d'une zone de travail.
- Pour l'entretien par l'utilisateur, la machine doit être démontée, nettoyée et entretenue, dans la mesure du possible, sans risque pour le personnel d'entretien et d'autres personnes. Les précautions appropriées comprennent la décontamination avant le démontage, la mise à disposition d'une ventilation par aspiration locale filtrée à l'endroit où la machine est démontée, le nettoyage de la zone d'entretien et une protection individuelle appropriée.
- Il est nécessaire de prévoir un TAUX DE RENOUVELLEMENT D'AIR (TRH) adéquat dans la pièce si l'air évacué est renvoyé dans la pièce. Reportez-vous aux réglementations nationales.

# Utilisation

## Introduction



**AVERTISSEMENT:** Avant d'utiliser le produit, vous devez lire et comprendre le chapitre sur la sécurité.

## À faire avant d'utiliser le produit



**AVERTISSEMENT:** pour éviter tout risque de blessure, assurez-vous de fixer complètement la fiche du produit à la rallonge. Vérifiez régulièrement le branchement pendant que vous utilisez le produit pour vous assurer qu'il est bien fixé. N'utilisez pas de rallonge créant une connexion lâche.



**AVERTISSEMENT:** lisez attentivement le manuel d'utilisation de l'équipement fixé. Si des exigences ou des réglages spécifiques sont donnés pour le produit secondaire, veillez à les respecter.

## Raccordement des tuyaux d'extraction de poussière

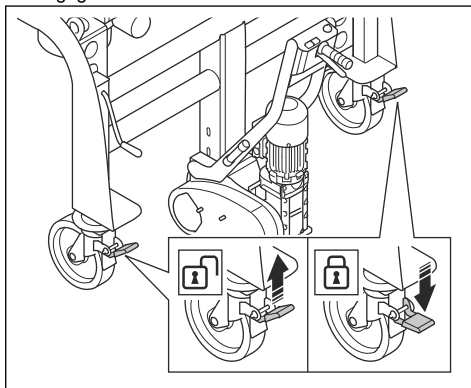
Utilisez des tuyaux d'extraction de poussière antistatiques d'un diamètre de 150 mm/6 po.

- Branchez les 2 tuyaux d'extraction de poussière avec des colliers de serrage et du ruban adhésif industriel.

## Pour engager et désengager le frein de stationnement

Le frein de stationnement doit être serré avant de démarrer le produit.

1. Repoussez le levier de verrouillage vers le bas pour engager le frein de stationnement.



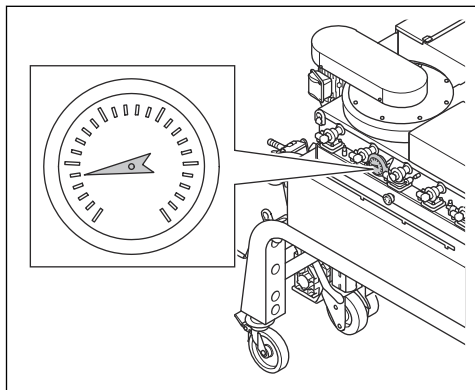
2. Pour désengager le frein de stationnement, repoussez le levier de verrouillage vers le haut.

1. Lisez attentivement le manuel d'utilisation et assurez-vous de bien comprendre les instructions.
2. Effectuez l'entretien quotidien. Reportez-vous à *Calendrier d'entretien* à la page 70.
3. Assurez-vous que la zone de travail est propre et lumineuse.
4. utilisez un équipement de protection individuel. Reportez-vous à *Équipement de protection individuel* à la page 63.
5. Assurez-vous que le produit est installé correctement.
6. Veillez à ce que la fréquence et la tension indiquées sur la plaque signalétique correspondent à la tension d'alimentation électrique. Cela s'applique également aux rallonges.
7. Désengagez le système d'entraînement. Reportez-vous à *Engagement du système d'entraînement* à la page 79.
8. Serrez le frein de stationnement. Reportez-vous à *Pour engager et désengager le frein de stationnement* à la page 66.
9. Raccordez les 2 tuyaux d'extraction de poussière. Reportez-vous à *Raccordement des tuyaux d'extraction de poussière* à la page 66.
10. Installez un BigBag. Placez une palette sous le BigBag.
11. Assurez-vous que la fiche d'alimentation est correctement branchée.

## Manomètre à dépression

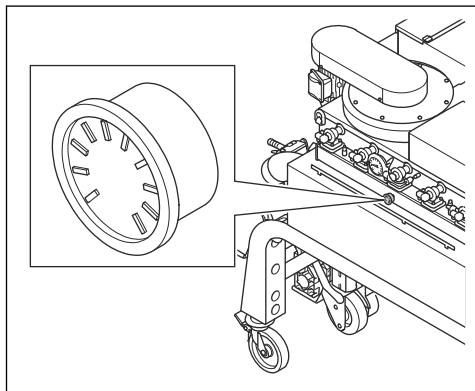
Le manomètre à dépression indique l'état des filtres primaires. Si la valeur indiquée sur le manomètre à dépression est supérieure ou égale à 20 cmH<sub>2</sub>O, il est nécessaire de nettoyer les filtres primaires. Reportez-vous à *Nettoyage des filtres primaires* à la page 72. Si la valeur indiquée sur le manomètre à dépression est de 15 cmH<sub>2</sub>O ou plus après le nettoyage des filtres primaires, il est nécessaire de remplacer les filtres

primaires. Reportez-vous à *Remplacement des filtres à air à la page 73*.



## Manomètre du réservoir de pression

Le manomètre du réservoir de pression indique la pression dans le réservoir de pression. L'air dans le réservoir de pression nettoie les filtres primaires. La pression est d'environ 7 bar/100 PSI pendant le fonctionnement.



## Séparateur d'eau

Le séparateur d'eau élimine la saleté, l'huile et l'eau de l'air.

## Branchement d'un produit secondaire

1. Branchez la fiche d'alimentation du produit secondaire à une source d'alimentation électrique appropriée.
2. Assurez-vous que les tuyaux d'extraction de poussière entre le produit et le produit secondaire sont raccordés à l'aide de colliers de serrage et de ruban adhésif industriel.

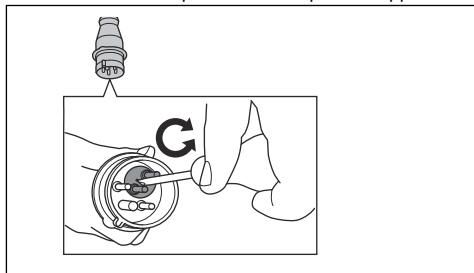
3. Assurez-vous que les tuyaux d'extraction de poussière sont en bon état et peuvent bouger librement.

## Branchement du produit à une source d'alimentation

1. Branchez la fiche d'alimentation du produit à une prise secteur mise à la terre ou à une autre source d'alimentation.
2. Assurez-vous que la tension secteur est conforme aux valeurs indiquées sur la plaque signalétique du produit.

## Modification de la séquence de phase

1. Arrêtez le produit. Reportez-vous à *Arrêt du produit à la page 68*.
2. Attendez que le produit soit totalement arrêté.
3. Débranchez la rallonge électrique de la fiche d'alimentation du produit.
4. Placez le commutateur inverseur de la fiche d'alimentation du produit dans la position opposée.



5. Branchez le câble d'alimentation et vérifiez le panneau de commande. Reportez-vous à *Témoin d'avertissement de la protection du moteur et de défaut de l'alimentation électrique à la page 67*.

## Témoin d'avertissement de la protection du moteur et de défaut de l'alimentation électrique

Le témoin d'avertissement de la protection du moteur s'allume en cas de défaut d'alimentation électrique. Les moteurs ne peuvent pas démarrer lorsque le témoin est allumé. Désengagez la protection du moteur pour démarrer les moteurs. Reportez-vous à *Désengagement de la protection du moteur à la page 67*.

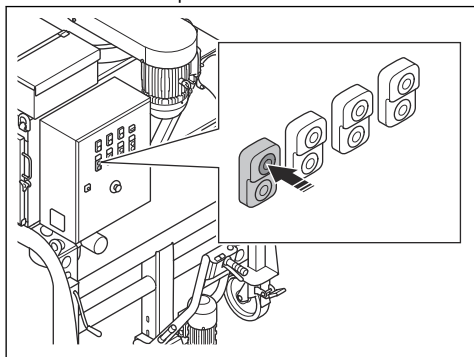
## Désengagement de la protection du moteur

1. Modifiez la position des phases.
2. Contrôlez le témoin d'avertissement de la protection du moteur. Si le témoin est toujours allumé, l'alimentation électrique n'est pas correcte.

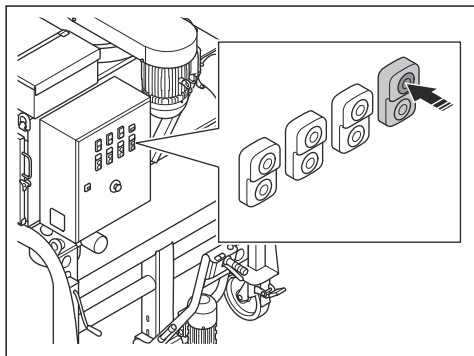
3. Contrôlez l'interrupteur de la protection du moteur dans le boîtier électrique.
4. Contrôlez le témoin d'avertissement de la protection du moteur. Si le témoin est toujours allumé, l'alimentation électrique n'est pas correcte.
5. Vérifiez toutes les phases à l'aide d'un multimètre. Connectez les phases manquantes.
6. Démarrez les moteurs. Reportez-vous à *Démarrage du produit à la page 68*.
7. Contrôlez le témoin d'avertissement de la protection du moteur. Si le témoin est toujours allumé, contactez votre agent d'entretien Husqvarna.

## Démarrage du produit

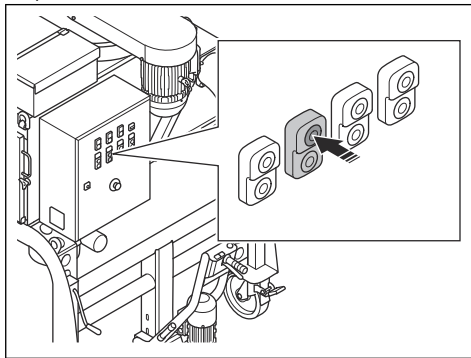
1. Effectuez toutes les étapes de la section *À faire avant d'utiliser le produit à la page 66*.
2. Assurez-vous que les 2 trappes de débit d'air sont fermées.
3. Assurez-vous que les tuyaux d'extraction de poussière sont correctement fixés entre le produit et le produit secondaire.
4. Démarrez le compresseur.



5. Démarrez le moteur des vannes rotatives.



6. Démarrez les ventilateurs et attendez qu'ils soient à pleine vitesse.



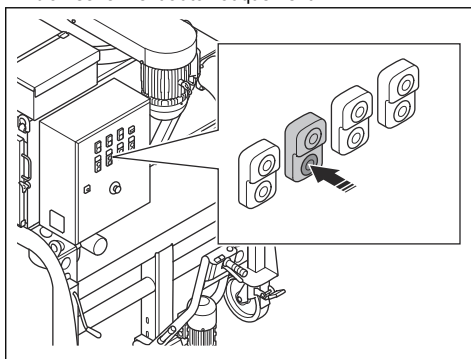
**Remarque:** les 2 ventilateurs ne démarrent pas en même temps. Lorsque le premier ventilateur est à pleine vitesse, le deuxième ventilateur démarre. Les trappes de débit d'air s'ouvrent automatiquement.



**AVERTISSEMENT:** n'utilisez pas le système d'entraînement lorsque le produit est en marche.

## Arrêt du produit

1. Si vous arrêtez temporairement le produit, arrêtez uniquement les ventilateurs. Les trappes de débit d'air se ferment automatiquement.



**Remarque:** lorsque le compresseur d'air est activé pendant un court arrêt, le produit nettoie les filtres primaires.

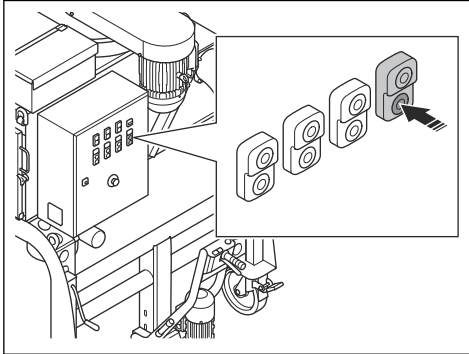


**AVERTISSEMENT:** assurez-vous que les prises d'air sont fermées pendant le cycle de nettoyage du produit. Si les prises d'air ne sont pas fermées, de la poussière pénètre dans

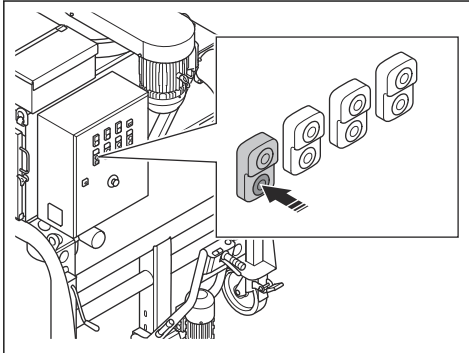
l'air. Les particules de poussière sont dangereuses pour la santé.

2. Si vous arrêtez le produit pendant plus de 1 heure, arrêtez les ventilateurs, puis procédez comme suit :

a) Arrêtez le moteur des vannes rotatives.



b) Arrêtez le compresseur d'air.



c) Débranchez la fiche d'alimentation de l'alimentation électrique.

## Mise au rebut d'un sac BigBag plein et préparation d'un sac BigBag neuf

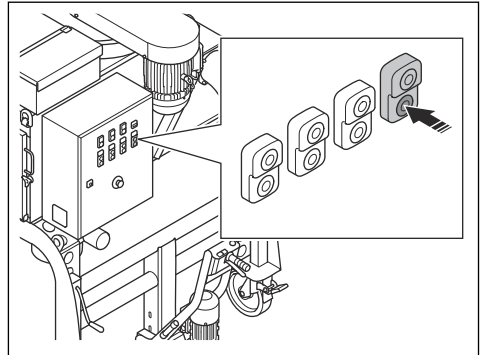


**AVERTISSEMENT:** soulevez le BigBag avec précaution. Utilisez un équipement de levage. Un BigBag plein peut être lourd. Assurez-vous que les brides de serrage sont correctement fermées avant de soulever le BigBag.

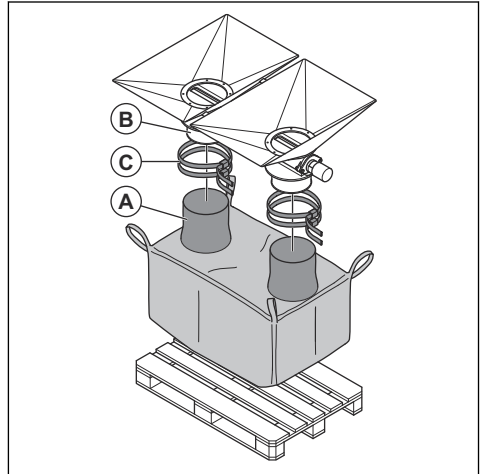


**AVERTISSEMENT:** portez une protection respiratoire homologuée lorsque vous remplacez le BigBag. Reportez-vous à *Équipement de protection individuel à la page 63.*

1. Arrêtez le moteur des vannes rotatives.

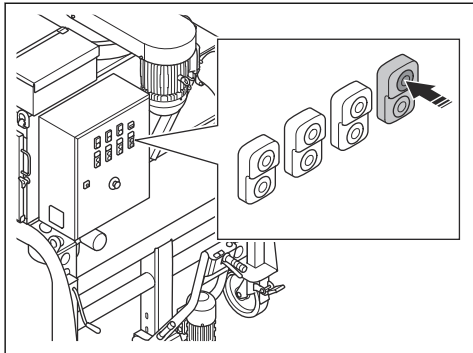


2. Retirez les entonnoirs du BigBag des sorties de poussière et fermez-les.
3. Retirez la palette et le BigBag du produit.
4. Respectez les réglementations locales relatives à la mise au rebut du sac BigBag plein.
5. Placez une nouvelle palette et un nouveau BigBag sous le produit.
6. Installez les entonnoirs du BigBag (A) sur les sorties de poussière (B).

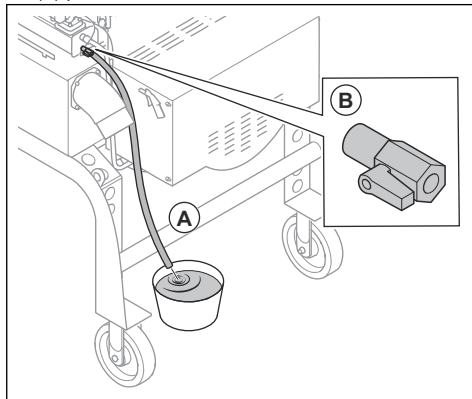


7. Fixez les entonnoirs du BigBag sur les sorties de poussière à l'aide des brides de serrage (C).
8. Assurez-vous que le BigBag repose uniformément sur la palette.

9. Démarrez le moteur des vannes rotatives.



2. Placez un récipient sous le flexible d'extraction d'eau (A) pour recueillir l'eau.



3. Ouvrez le robinet d'eau (B).

4. Fermez le robinet d'eau lorsque toute l'eau est vidangée.

## Vidange de l'eau du réservoir de pression

L'eau présente dans l'air sous pression s'accumule dans le réservoir de pression. Il est nécessaire de vidanger l'eau du réservoir de pression tous les jours.

1. Arrêtez le produit. Reportez-vous à *Arrêt du produit à la page 68*.

## Entretien

### Introduction



**AVERTISSEMENT:** assurez-vous de lire et de comprendre le chapitre sur la sécurité avant de procéder à l'entretien du produit.

X = Les instructions sont mentionnées dans ce manuel d'utilisation.

O = Les instructions ne sont pas mentionnées dans ce manuel d'utilisation. Faites réaliser l'entretien par un agent d'entretien agréé.

### Calendrier d'entretien

\* = Entretien général effectué par l'opérateur. Les instructions ne sont pas mentionnées dans ce manuel d'utilisation.

Entretien général du produit	Tous les jours	Toutes les semaines	Tous les mois	12 h après l'entretien	Tous les 3 mois	Une fois par an
Assurez-vous que la fiche d'alimentation et le câble de rallonge sont en bon état et non endommagés.	*					
Vérifiez que les composants électriques, les câbles et les raccords ne sont pas usés ou endommagés.	*					
Effectuez un contrôle du RCD.	*					
Vérifiez que les moteurs ne présentent ni dommages ni salissures.	*					

Entretien général du produit	Tous les jours	Toutes les semaines	Tous les mois	12 h après l'entretien	Tous les 3 mois	Une fois par an
Videz le bac de vidange.	*					
Assurez-vous que les tuyaux d'extraction de poussière ne sont ni endommagés ni obstrués.	*					
Vidangez l'eau du réservoir de pression.	X					
Assurez-vous que les tuyaux d'extraction de poussière sont correctement en place.	X					
Jetez la poussière du produit.	X					
Contrôlez les dispositifs de sécurité.	X					
Nettoyez les filtres du compresseur d'air. Remplacez-les si nécessaire.		X				
Assurez-vous qu'il n'y a pas de fuite de poussière au niveau des joints des vannes rotatives.		X				
Assurez-vous que le niveau sonore des roulements des vannes rotatives n'est pas anormalement élevé.			*			
Vérifiez que le moteur d'entraînement des vannes rotatives ne présente pas de fuite d'huile.			*			
Assurez-vous que les lames des vannes rotatives ne sont pas usées et qu'il n'y a pas de fuite d'air. Remplacez-les si nécessaire.			X			
Assurez-vous que les écrous et les vis sont serrés.				*		
Nettoyez le filtre du séparateur d'eau. Remplacez-les si nécessaire.					X	
Contrôlez la tension de la courroie trapézoïdale.					X	
Remplacez les filtres du compresseur d'air.					X	
Remplacez le filtre du séparateur d'eau.						X
Nettoyez la partie supérieure de l'ensemble filtre.					O	
Effectuez un entretien et un nettoyage complets du produit.						O

## Nettoyage du produit

- Nettoyez toujours tout l'équipement après utilisation. Utilisez un aspirateur.
- N'utilisez pas de nettoyeur haute pression pour nettoyer le produit.

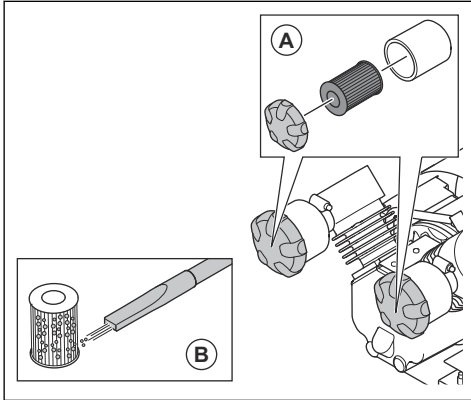
- Maintenez les ouvertures d'air propres et dégagées pour garantir que le produit est toujours suffisamment frais.

## Nettoyage des filtres du compresseur



**REMARQUE:** n'utilisez pas de nettoyeur haute pression ni d'eau pour nettoyer les filtres du compresseur. Ne frappez pas les filtres avec force pour les nettoyer. N'utilisez pas d'air comprimé pour nettoyer les filtres du compresseur.

1. Déposez les 2 bouchons et les 2 filtres du compresseur (A).



2. Nettoyez les 2 filtres du compresseur à l'aide d'un petit aspirateur industriel (B).
3. Installez les 2 filtres du compresseur et fermez les 2 bouchons.

S'il est impossible de nettoyer complètement les filtres du compresseur ou s'ils sont endommagés, il est nécessaire de les remplacer.

## Nettoyage du filtre du séparateur d'eau



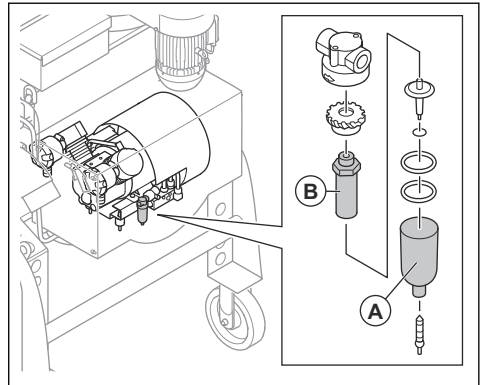
**REMARQUE:** n'utilisez pas de nettoyeur haute pression pour nettoyer le filtre. Ne frappez pas le filtre avec force pour le nettoyer.

1. Déposez le filtre du séparateur d'eau. Reportez-vous à *Remplacement du filtre du séparateur d'eau à la page 72*.
2. Nettoyez le filtre avec de l'eau chaude.
3. Séchez le filtre à l'air comprimé.
4. Installez le filtre. Reportez-vous à *Remplacement du filtre du séparateur d'eau à la page 72*.

## Remplacement du filtre du séparateur d'eau

1. Arrêtez le produit. Reportez-vous à *Arrêt du produit à la page 68*.

2. Déposez la cuve du séparateur d'eau (A).



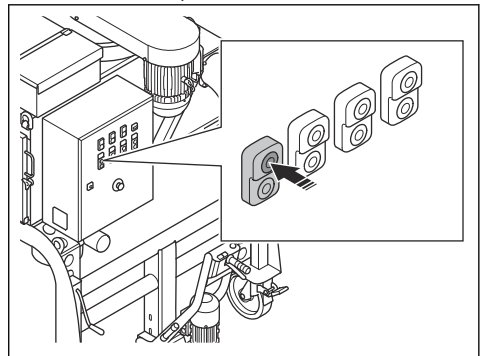
3. Remplacez le filtre du séparateur d'eau (B).
4. Posez la cuve du séparateur d'eau (A).

## Nettoyage des filtres primaires



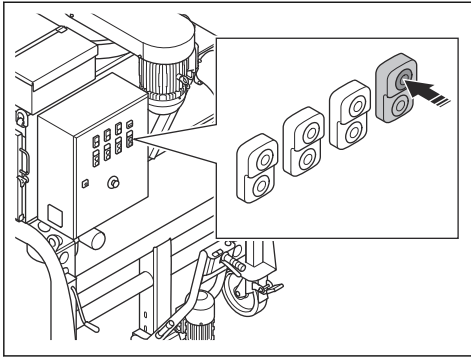
**AVERTISSEMENT:** fermez toujours la prise d'air lorsque le cycle de nettoyage par impulsions est en cours. Si la prise d'air n'est pas fermée, de la poussière peut pénétrer dans l'air. Les particules de poussière sont dangereuses pour la santé.

1. Démarrez le compresseur.





2. Démarrez le moteur des vannes rotatives.



3. Laissez le compresseur d'air activé pendant 30 minutes lorsque le produit n'est pas en marche. L'air comprimé traverse les filtres primaires et les nettoie.

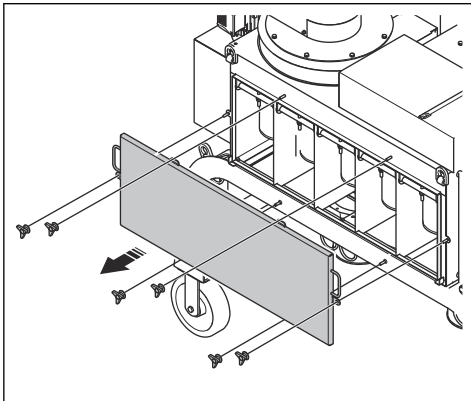
### Remplacement des filtres à air



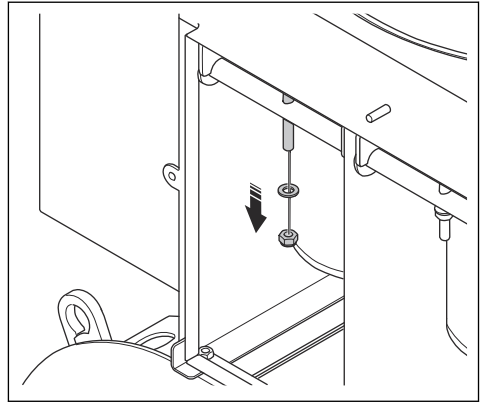
**AVERTISSEMENT:** utilisez toujours un équipement de protection individuel lors du remplacement des filtres primaires. Reportez-vous à *Équipement de protection individuel* à la page 63.

Le produit comporte 20 filtres primaires. Remplacez tous les filtres en même temps.

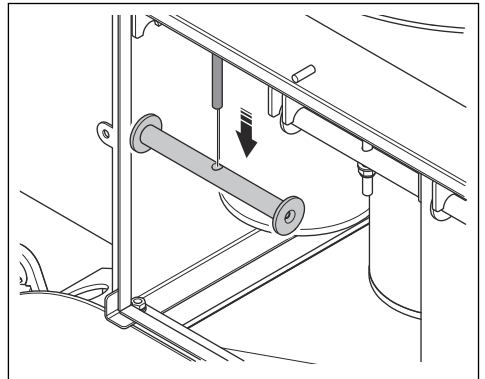
1. Arrêtez le produit. Reportez-vous à *Arrêt du produit* à la page 68.
2. Retirez les 6 boutons de verrouillage et le couvercle du boîtier de filtre.



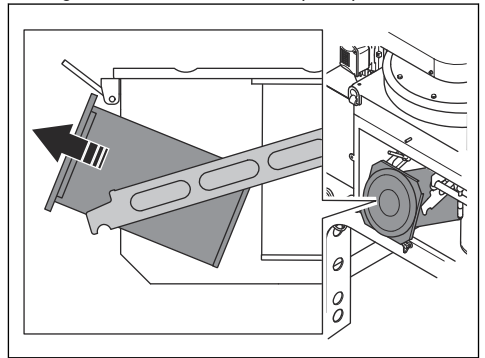
3. Retirez l'écrou et la rondelle.



4. Retirez la barre de verrouillage et inclinez les supports de filtre vers le bas.



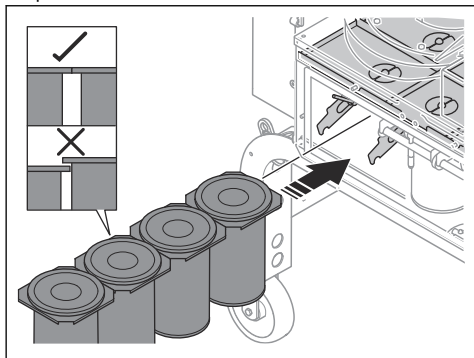
5. Retirez les 4 filtres primaires et placez-les soigneusement dans un sac en plastique.



**AVERTISSEMENT:** veillez à retirer les filtres primaires délicatement. Les particules présentes dans les filtres

primaires sont dangereuses pour la santé.

6. Mettez correctement au rebut le sac en plastique. Reportez-vous aux réglementations locales.
7. Repoussez les 4 filtres primaires neufs sur les supports de filtre du boîtier de filtre. Installez 1 filtre à la fois. Veillez à ne pas placer les bords des filtres primaires l'un au-dessus de l'autre.



**AVERTISSEMENT:** si les filtres primaires ne sont pas installés correctement, de la poussière peut pénétrer dans l'air. Les particules de poussière sont dangereuses pour la santé.

8. Installez la barre de verrouillage.
9. Posez la rondelle et l'écrou. Vérifiez qu'il n'y a pas d'espace entre la rondelle et l'écrou.



**REMARQUE:** l'écrou et la rondelle doivent être correctement posés sur la vis qui maintient la barre de verrouillage. La présence de poussière dans le boîtier de filtre peut endommager les filetages de la vis.

10. Effectuez la même procédure de remplacement sur les 4 autres rangées de filtres primaires.
11. Installez le couvercle du boîtier de filtre et les 6 boutons de verrouillage.

## Contrôle de la tension de la courroie trapézoïdale

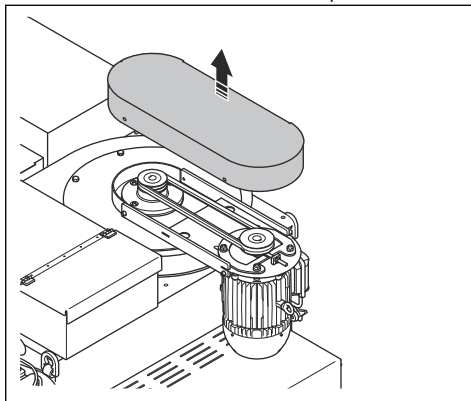


**AVERTISSEMENT:** retirez les carters de courroie trapézoïdale uniquement lorsque le produit est débranché de la prise secteur et que les moteurs sont complètement arrêtés.

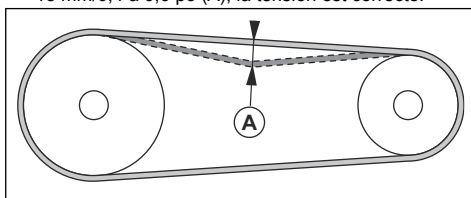


**AVERTISSEMENT:** n'utilisez pas le produit si les carters des courroies trapézoïdales ne sont pas installés.

1. Arrêtez le produit. Reportez-vous à *Arrêt du produit à la page 68*.
2. Retirez les carters des courroies trapézoïdales.

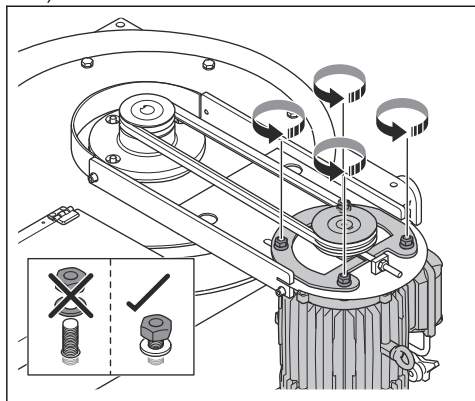


3. Vérifiez l'absence de dommages et d'usure au niveau des courroies trapézoïdales. Remplacez les courroies trapézoïdales, si nécessaire.
4. Poussez les courroies trapézoïdales avec le pouce pour contrôler la tension. Si vous pouvez pousser les courroies trapézoïdales sur une distance de 10 à 15 mm/0,4 à 0,6 po (A), la tension est correcte.

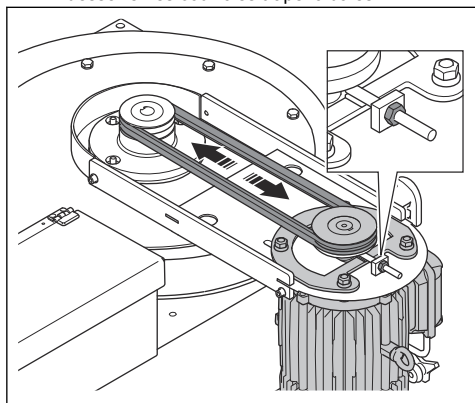


5. Effectuez les étapes suivantes pour régler la tension des courroies trapézoïdales si nécessaire.

a) Desserrez les 4 écrous.



b) Augmentez la distance entre le moteur et le roulement pour tendre les courroies trapézoïdales. Réduisez la distance pour desserrer les courroies trapézoïdales.



c) Serrez les 4 écrous.

6. Installez les carters des courroies trapézoïdales.

## Remplacement des courroies trapézoïdales



**AVERTISSEMENT:** retirez le carter de la courroie trapézoïdale uniquement lorsque le produit est débranché de la prise secteur et que le moteur est complètement arrêté.



**AVERTISSEMENT:** n'utilisez pas le produit si le couvercle de la courroie trapézoïdale n'est pas installé.

1. Arrêtez le produit. Reportez-vous à *Arrêt du produit* à la page 68.

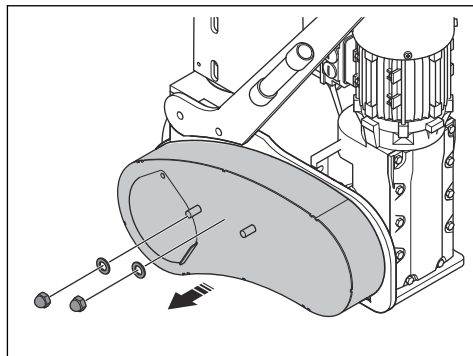
2. Retirez le carter de la courroie trapézoïdale. Reportez-vous à *Contrôle de la tension de la courroie trapézoïdale* à la page 74.
3. Réduisez la distance entre le moteur et le roulement pour réduire la tension des courroies trapézoïdales.
4. Retirez les courroies trapézoïdales et installez les neuves.
5. Augmentez la distance entre le moteur et le roulement pour tendre les courroies trapézoïdales. Reportez-vous à *Contrôle de la tension de la courroie trapézoïdale* à la page 74.
6. Installez le couvercle de la courroie trapézoïdale.

## Contrôle de la tension de la chaîne du système d'entraînement



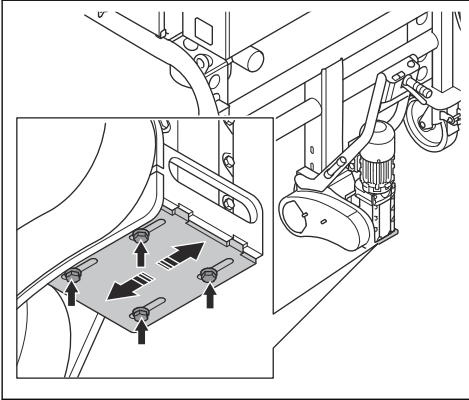
**AVERTISSEMENT:** n'utilisez pas le produit si le couvercle de la chaîne n'est pas installé.

1. Arrêtez le produit. Reportez-vous à *Arrêt du produit* à la page 68.
2. Retirez le couvercle de la chaîne.



3. Poussez la chaîne pour vérifier sa tension. Si vous pouvez pousser la chaîne sur une distance de 5 mm/0,2 po, la tension est correcte.

4. Desserrez les écrous.

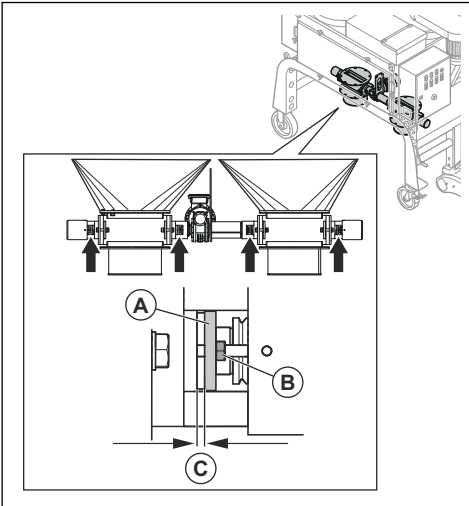


5. Déplacez la roue de chaîne pour régler la tension.
6. Serrez les écrous.
7. Installez le couvercle de la chaîne.

## Réglage des joints de presse-étoupe des vannes rotatives

En cas de fuite de poussière au niveau des joints de presse-étoupe, il est nécessaire de resserrer les joints de presse-étoupe. Il y a des joints de presse-étoupe de chaque côté des 2 vannes rotatives.

1. Arrêtez le produit. Reportez-vous à *Arrêt du produit à la page 68*.
2. Assurez-vous que les bagues (A) sont à la verticale et ne sont pas inclinées.



3. Serrez les écrous (B) d'un demi-tour.



**REMARQUE:** ne serrez pas trop les écrous. Sinon, les joints de presse-étoupe risquent d'être endommagés.

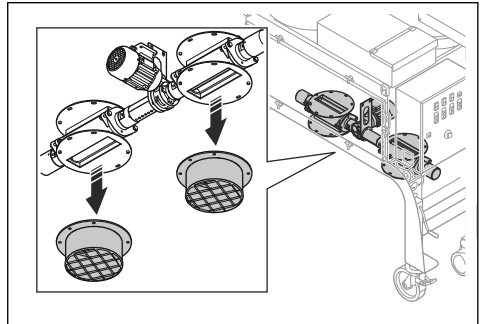
4. Assurez-vous que la distance (C) est la même à gauche et à droite.
5. Démarrez le produit et assurez-vous qu'il n'y a pas de fuite de poussière au niveau des joints de presse-étoupe.

## Remplacement des joints des vannes rotatives

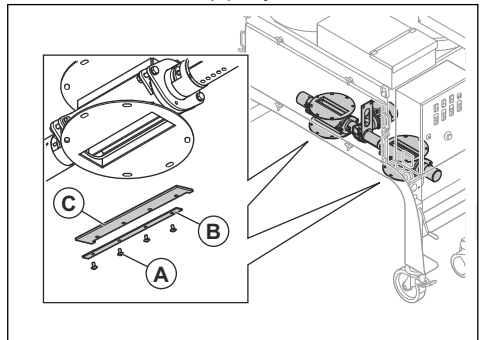


**AVERTISSEMENT:** portez une protection respiratoire homologuée lorsque vous remplacez les joints des vannes rotatives. Reportez-vous à *Équipement de protection individuel à la page 63*.

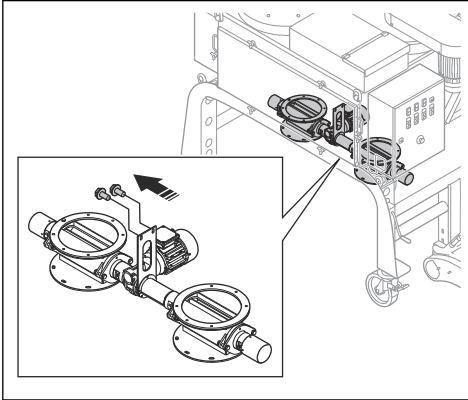
1. Arrêtez le produit. Reportez-vous à *Arrêt du produit à la page 68*.
2. Assurez-vous que le produit est hors tension.
3. Retirez le BigBag, puis les sorties de poussière.



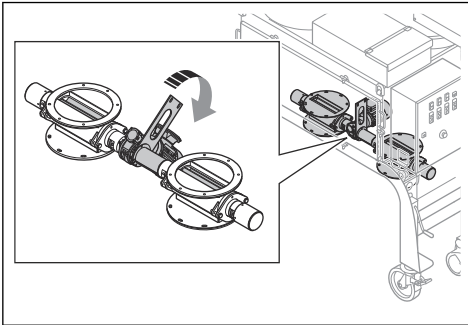
4. Retirez les 4 boulons (A), la bande de serrage (B) et la lame d'étanchéité (C) du joint de vanne rotative.



5. Retirez les 2 boulons de la plaque du moteur d'entraînement.



6. Tournez le moteur d'entraînement jusqu'à ce que vous puissiez retirer le jeu de lames d'étanchéité suivant.



7. Répétez la procédure jusqu'à ce que toutes les lames d'étanchéité soient déposées.
8. Pour installer de nouvelles lames d'étanchéité, procédez comme suit pour chaque jeu de lames d'étanchéité :
- a) Appliquez du frein-filet sur 4 boulons neufs.
  - b) Installez une lame d'étanchéité neuve, la bande de serrage et les 4 boulons.
  - c) Serrez d'abord les 2 boulons au centre, puis serrez les boulons à chaque extrémité de la bande de serrage.
9. Assurez-vous que la lame d'étanchéité est alignée avec le carter de la vanne rotative et qu'il y a un jeu minimum.

## Recherche de pannes

Problème	Cause	Solution
Le système de nettoyage de filtre ne fonctionne pas correctement.	La pression est nulle ou insuffisante dans le réservoir de pression.	Contrôlez le système pneumatique. Nettoyez le filtre du compresseur. Reportez-vous à <i>Nettoyage des filtres du compresseur à la page 72</i> .
	Le réservoir de pression contient trop d'eau.	Éliminez toute l'eau du réservoir de pression. Reportez-vous à <i>Vidange de l'eau du réservoir de pression à la page 70</i> .
	L'automate programmable (PLC) ne fonctionne pas correctement ou les réglages sont incorrects.	Adressez-vous à un atelier de réparation agréé.
	Les filtres du compresseur sont sales.	Nettoyez les filtres du compresseur. Reportez-vous à <i>Nettoyage du produit à la page 71</i> .
	Le BigBag n'est pas correctement fixé ou présente une fuite.	Assurez-vous que le BigBag est correctement fixé et n'est pas troué.
Les moteurs sont allumés, mais il n'y a pas d'aspiration.	Les filtres primaires sont sales.	Nettoyez les filtres primaires. Reportez-vous à <i>Nettoyage des filtres primaires à la page 72</i> . Remplacez les filtres primaires si nécessaire. Reportez-vous à <i>Remplacement des filtres à air à la page 73</i> .
	Le système d'aspiration présente une fuite.	Contrôlez l'étanchéité des joints du système d'aspiration. Remplacez-les si nécessaire.
	Les tuyaux d'extraction de poussière sont mal installés ou sont endommagés.	Contrôlez les tuyaux d'extraction de poussière. Remplacez-les si nécessaire.
	La tension des courroies trapézoïdales est incorrecte.	Contrôlez la tension des courroies trapézoïdales.
Le témoin de contrôle de séquence de phase est allumé.	Les phases sont incorrectes.	Modifiez la séquence de phase. Reportez-vous à <i>Modification de la séquence de phase à la page 67</i> .
Le témoin de défaillance du moteur est allumé.	Le disjoncteur du moteur se déclenche en raison d'une surcharge du moteur.	Assurez-vous d'utiliser la bonne alimentation électrique.
		Faites vérifier le défaut par un électricien.
De la poussière s'échappe dans l'air par les trappes de débit d'air.	Les filtres primaires sont endommagés ou mal installés.	Contrôlez les filtres primaires. Remplacez-les si nécessaire, reportez-vous à la section <i>Introduction à la page 66</i> .
Le produit émet des bruits inhabituels.	Des vis et des écrous sont desserrés.	Resserrez toutes les vis et tous les écrous.
	Les roulements présentent un défaut.	Adressez-vous à un atelier de réparation agréé.
	Les trappes de débit d'air sont endommagées.	Contrôlez les trappes de débit d'air. Remplacez-les si nécessaire.

Problème	Cause	Solution
La pression dans le réservoir de pression est inférieure à 7 bar.	Le filtre du séparateur d'eau est sale ou endommagé.	Nettoyez le filtre du séparateur d'eau. Remplacez-les si nécessaire.
	Les filtres du compresseur sont sales ou endommagés.	Nettoyez les filtres du compresseur. Remplacez-les si nécessaire.
	Les tubes présentent une fuite.	Adressez-vous à un atelier de réparation agréé.
	La vanne de commande est endommagée.	Adressez-vous à un atelier de réparation agréé.
	Le système pneumatique est endommagé.	Contrôlez le système pneumatique.

## Transport, entreposage et mise au rebut

### Transport



**AVERTISSEMENT:** soyez prudent lors du transport. Le produit est lourd et peut provoquer des blessures ou être endommagé en cas de chute ou de déplacement lors du transport.



**REMARQUE:** ne remorquez pas le produit derrière un véhicule.

- Veillez à débrancher le câble électrique et le tuyau d'extraction de poussière avant le transport. Fermez la prise d'air lorsque le tuyau d'extraction de poussière est débranché.
- Retirez la poussière recueillie avant le transport.
- Les roues vous permettent de déplacer le produit sur de courtes distances. Pour de longues distances, bloquez les roues et soulevez le produit pour le déplacer ou le placer sur un véhicule.
- Placez une protection sur le produit pendant le transport. La protection permet que le produit n'entre pas en contact avec la pluie et la neige.
- Assurez-vous qu'il n'y a pas de pression dans le réservoir de pression avant le transport.
- Utilisez le système d'entraînement pour le transport uniquement lorsque toutes les autres fonctions sont désactivées.

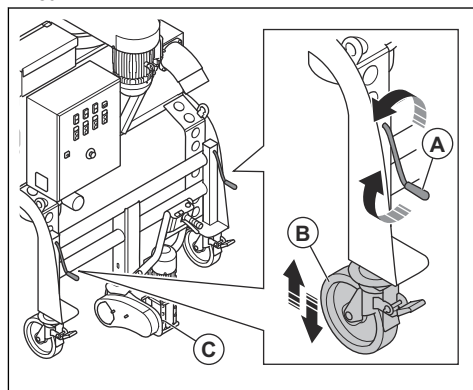
### Engagement du système d'entraînement



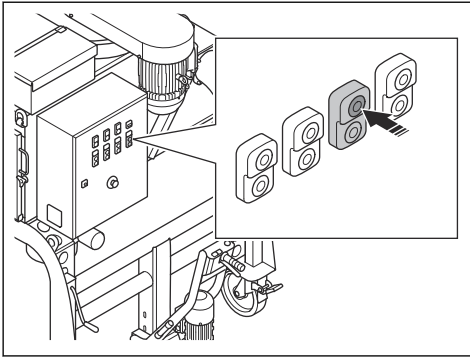
**AVERTISSEMENT:** éloignez vos mains des pièces rotatives. Faites très attention lors de la fixation de la goupille à déclenchement rapide.

Posez la goupille à déclenchement rapide pour engager le système d'entraînement. La goupille à déclenchement rapide se trouve à côté du système d'entraînement.

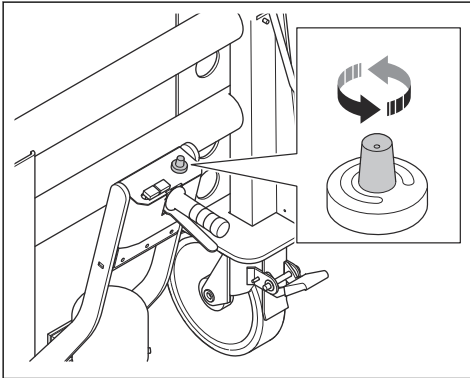
1. Tournez les poignées de réglage de la hauteur (A) pour abaisser les roulettes (B) jusqu'à ce que le système d'entraînement (C) ne repose plus sur le sol.



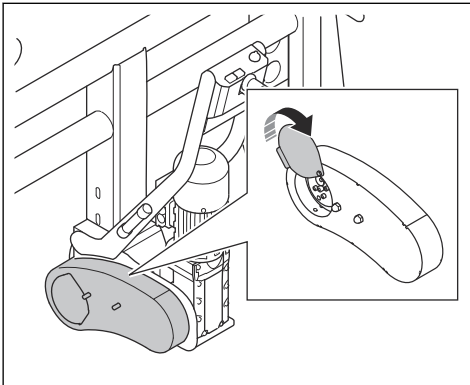
2. Mettez le système d'entraînement sous tension.



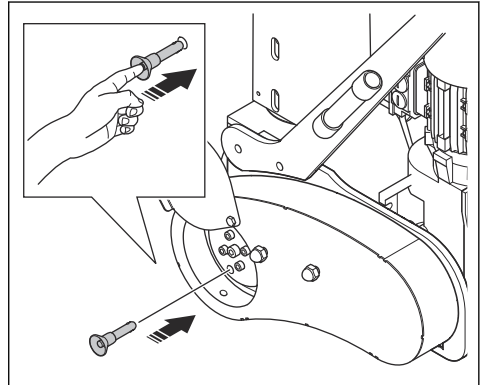
3. Réglez la vitesse d'entraînement sur la vitesse la plus basse possible, environ 0,5.



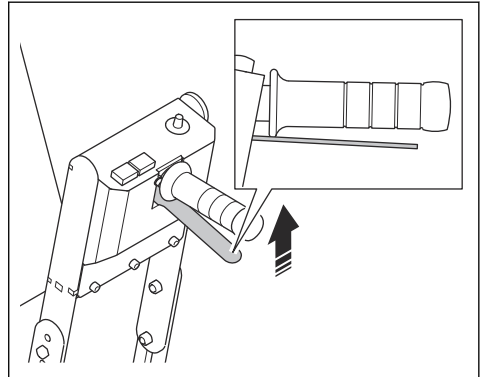
4. Ouvrez le couvercle de la chaîne d'entraînement.



5. Posez la goupille à déclenchement rapide. Poussez la goupille à déclenchement rapide et maintenez-la avec un doigt.

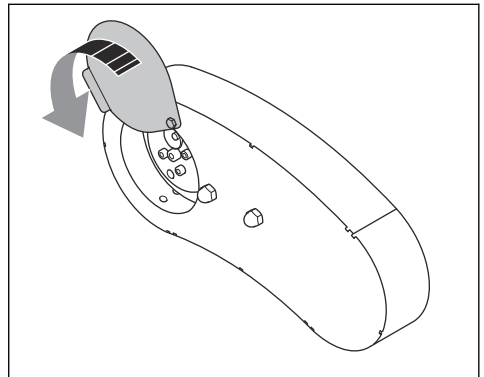


6. Utilisez l'autre main pour actionner le levier du système d'entraînement.



La goupille à déclenchement rapide se fixe en place lorsque le système d'entraînement est engagé.

7. Fermez le couvercle de la chaîne d'entraînement.





8. Tournez les poignées de réglage de la hauteur pour soulever les roulettes jusqu'à ce que le système d'entraînement repose sur le sol.
9. Pour désengager le système d'entraînement, reportez-vous à *Désengagement du système d'entraînement* à la page 81.

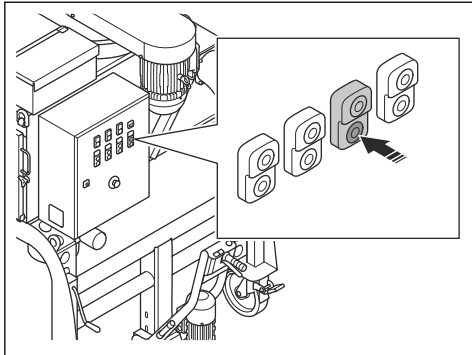
## Désengagement du système d'entraînement



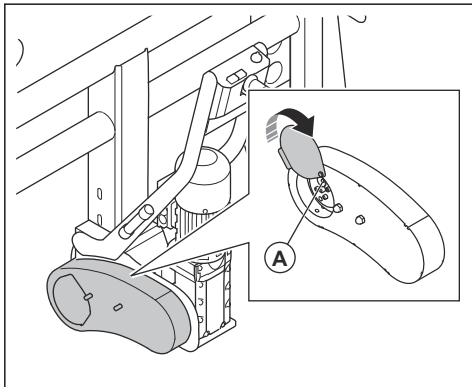
**REMARQUE:** ne désengagez le système d'entraînement que lorsque le produit est stationné sur une surface plane.

Si'il est nécessaire de déplacer le produit manuellement, avec le moteur à l'arrêt, le système d'entraînement doit être désengagé.

1. Garez le produit sur une surface plane et mettez le système d'entraînement hors tension.

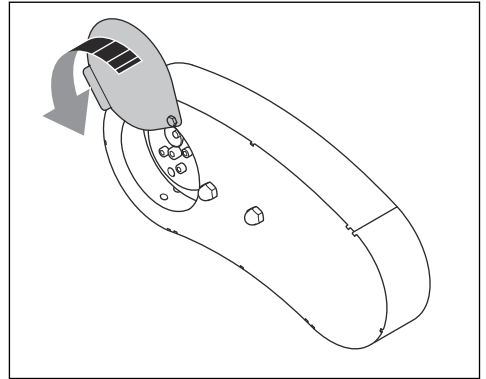


2. Débranchez l'alimentation électrique.
3. Ouvrez le couvercle de la chaîne d'entraînement.

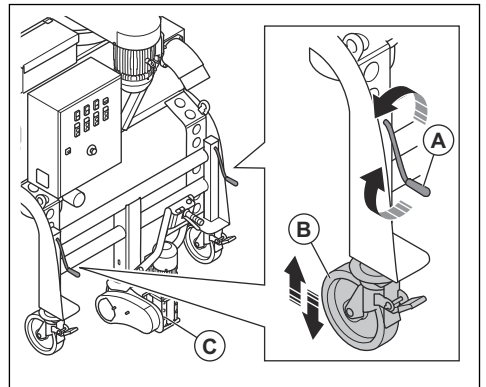


4. Retirez la goupille à déclenchement rapide (A).
5. Placez la goupille à déclenchement rapide en position de rangement.

6. Fermez le couvercle de la chaîne d'entraînement.



7. Tournez les poignées de réglage de la hauteur (A) pour abaisser les roulettes (B) jusqu'à ce que le système d'entraînement (C) ne repose plus sur le sol.



## Déplacement du produit avec le système d'entraînement



**AVERTISSEMENT:** le produit est lourd, et il existe un risque de blessure en cas de chute du produit. Soyez prudent lorsque vous déplacez le produit.



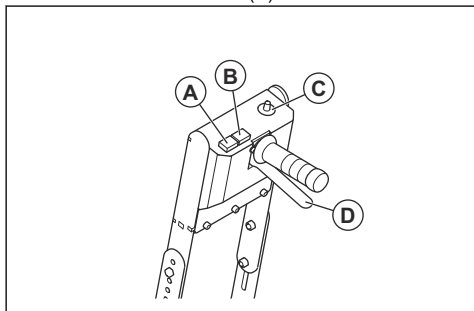
**AVERTISSEMENT:** ne déplacez pas le produit pendant son fonctionnement.



**AVERTISSEMENT:** portez des bottes de protection avec coquille en acier et des semelles antidérapantes.

1. Assurez-vous que la palette et le BigBag ont été retirés.

- Engagez le système d'entraînement. Reportez-vous à *Engagement du système d'entraînement à la page 79*.
- Assurez-vous que le frein de stationnement est desserré. Reportez-vous à *Pour engager et désengager le frein de stationnement à la page 66*.
- Réglez la vitesse de déplacement à l'aide du bouton de commande de vitesse (C).



- Appuyez sur le levier du système d'entraînement (D) et maintenez-le enfoncé pour déplacer le produit vers l'arrière.
- Appuyez sur le bouton d'overdrive (A) et maintenez-le enfoncé pour vous déplacer à la vitesse maximale.
- Appuyez sur le bouton de marche avant (B) et maintenez-le enfoncé pour déplacer le produit vers l'avant.

## Montée et descente du produit avec une rampe



**AVERTISSEMENT:** Soyez très prudent lorsque vous faites monter et descendre le produit sur des rampes. Le produit est lourd et il y a un risque de blessure si le produit tombe ou se déplace trop rapidement.



**AVERTISSEMENT:** Pour les rampes à pente raide, utilisez toujours un treuil. Ne marchez pas sur le produit et ne restez en dessous ou à proximité.

- Pour faire descendre le produit d'une rampe, déplacez-le lentement vers l'avant.
- Pour faire monter le produit sur une rampe, déplacez-le lentement vers l'arrière.
- Ne faites pas pivoter le produit vers la gauche ou vers la droite à plus de 45° sur une rampe.

## Levage du produit



**AVERTISSEMENT:** assurez-vous que l'équipement de levage présente la bonne spécification afin de soulever le produit en toute sécurité. La plaque signalétique sur le produit indique le poids du produit.

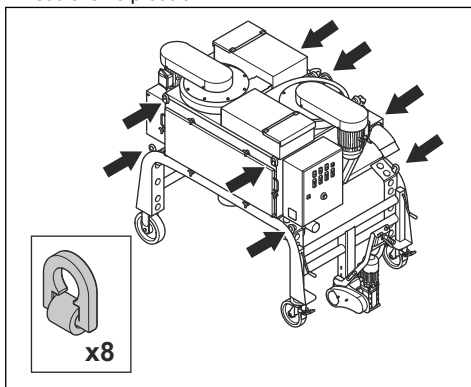


**AVERTISSEMENT:** ne marchez pas sur un produit soulevé et ne restez en dessous ou à proximité. Éloignez les personnes présentes de la zone de travail.



**AVERTISSEMENT:** ne soulevez pas un produit endommagé. Assurez-vous que les anneaux de levage sont bien fixés et en bon état.

- Retirez le BigBag du produit.
- Faites passer des sangles dans les 8 anneaux de levage et utilisez un équipement de levage pour soulever le produit.



- Soulevez lentement le produit.

## Fixation du produit pour le transport

Utilisez les anneaux de levage pour fixer le produit au véhicule de transport.

- Fixez les sangles d'arrimage dans les anneaux de levage.
- Fixez les sangles d'arrimage sur le véhicule de transport et serrez-les.

## Remisage



**REMARQUE:** N'entreposez pas le produit à l'extérieur. Gardez toujours le produit à l'intérieur.

- Conservez le produit dans un endroit sec et à l'abri du gel.
- Nettoyez le produit et effectuez un entretien complet avant de remiser le produit.
- Conservez le produit dans un endroit verrouillé afin que des enfants ou personnes qui ne sont pas autorisées à l'utiliser ne puissent pas y avoir accès.
- Éliminez la poussière de l'aspirateur.

### **Mise au rebut du produit**

- Respectez les consignes locales de recyclage et la réglementation en vigueur.
- Lorsque vous n'utilisez plus le produit, renvoyez-le au concessionnaire Husqvarna ou mettez-le au rebut dans une déchetterie.

## Caractéristiques techniques

	DC 2-48	DC 2-48
Puissance nominale, W	18 370	18 740
Tension nominale, V	400	480
Fréquence nominale, Hz	50	60
Intensité nominale, A	32	30
Longueur du câble, m/pi	25/82	25/82
Type de câble d'alimentation	4×6 mm <sup>2</sup>	4×10AWG
Débit d'air maximal, m <sup>3</sup> /h	4 400	4 400
Sous-pression maximale, mbar	64	64
Pente de nettoyage maximale, deg/%	10/18	10/18
Poids, kg	1 107/2 441	1 107/2 441
Température de fonctionnement, °C/°F	-10-45 / 14-113	-10-45 / 14-113
Diamètre du raccord du tuyau à poussière, mm/po	2×150 / 2×6	2×150 / 2×6

**Remarque:** si votre produit correspond à des spécifications électriques qui ne figurent pas dans le

tableau, contactez un atelier de réparation Husqvarna pour plus d'informations.

### Émissions sonores

Niveau de pression sonore à l'oreille de l'utilisateur, LP dB (A) <sup>7</sup>	85
Niveau de puissance acoustique mesuré, LWA dB (A) <sup>8</sup>	101

### Déclaration relative au bruit et aux vibrations

Ces valeurs déclarées ont été obtenues grâce à des essais types effectués en laboratoire conformément à la directive ou aux normes mentionnées. Elles conviennent à l'établissement d'une comparaison avec les valeurs déclarées d'autres produits testés conformément aux mêmes normes ou à la même directive. Ces valeurs

ne sont pas adaptées à une utilisation à des fins d'évaluations des risques ; les valeurs mesurées dans différents lieux de travail peuvent être plus élevées. Les valeurs d'exposition réelles et les risques de blessures rencontrés par chaque utilisateur sont uniques et dépendent de la manière dont l'utilisateur travaille, dans quel matériau le produit est utilisé, mais aussi de la durée d'exposition, de la condition physique de l'utilisateur et de l'état du produit.

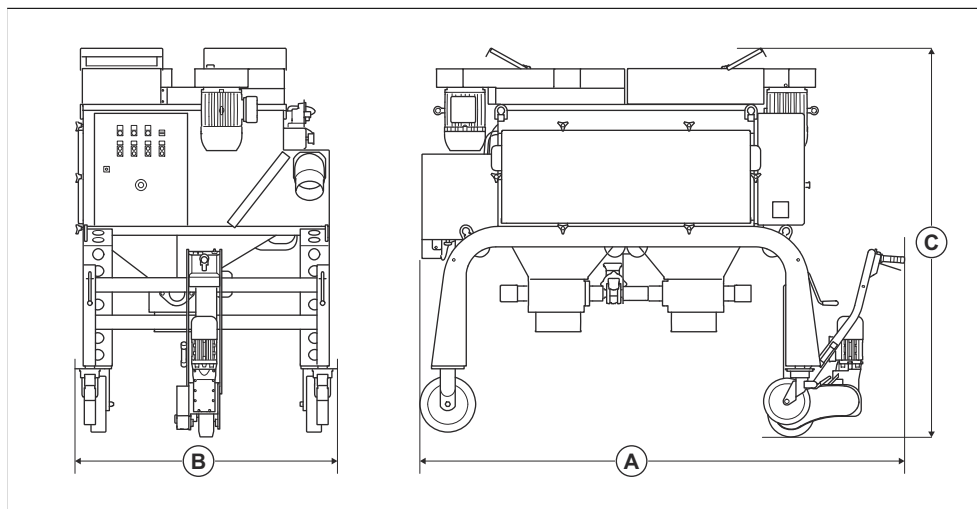
<sup>7</sup> Niveau de pression sonore déterminé selon la norme EN ISO 11202. Mesuré sur une surface en béton. Incertitude KpA 2,5 dB.

<sup>8</sup> Niveau de puissance acoustique déterminé selon la norme EN ISO 3747. Mesuré sur une surface en béton. Incertitude KwA 2,5 dB.

## Rallonges

Longueur du câble	Section transversale			
	≤ 16 A	≤ 32 A	≤ 63 A	≤ 125 A
Calculé au niveau d'un pré-fusible GG <sup>9</sup> :	16 A	32 A	63 A	125 A
> 20 m	1,5 mm <sup>2</sup>	2,5 mm <sup>2</sup>	10 mm <sup>2</sup>	25 mm <sup>2</sup>
20 m > 50 m	2,5 mm <sup>2</sup>	4 mm <sup>2</sup>	10 mm <sup>2</sup>	25 mm <sup>2</sup>
50 m > 75 m	4 mm <sup>2</sup>	6 mm <sup>2</sup>	16 mm <sup>2</sup>	35 mm <sup>2</sup>

## Dimensions du produit



<b>A</b>	Longueur, mm/po.	2 293/90
<b>B</b>	Largeur, mm/po	1 410/56
<b>C</b>	Hauteur, mm/po	1 956/77

<sup>9</sup> Les sections transversales doivent être recalculées lorsque des pré-fusibles de type ou de dimension différents sont utilisés.

---

## Accessoires

---

Accessoire disponible	Numéro d'article
Cartouche filtrante primaire classe M	533969201
BigBag 385 l	533993301

---

## Déclaration de conformité

---

### Déclaration de conformité UE

Nous, Husqvarna AB, SE-561 82 Huskvarna, Suède,  
tél : +46- 36-146500, déclarons sous notre entière  
responsabilité que le produit :

Description	Aspirateur
Marque	Husqvarna
Type/Modèle	DC 2-48
Identification	Numéros de série à partir de 2023 et ultérieurs

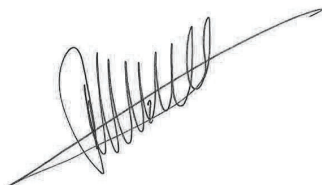
est entièrement conforme à la réglementation et aux  
directives de l'UE suivantes :

Directive/Réglementation	Description
2006/42/EC	« relative aux machines »
2014/30/UE	« relative à la compatibilité électromagnétique »

et que les normes et/ou les spécifications techniques  
suivantes sont appliquées :

EN ISO 12100:2010, EN 60204-1:2006

Partille, 2023-05-01



René van der Grint

Directeur de CS&F INFRA, catégorie de produits  
Surfaces et sols en béton

Husqvarna AB, division Construction

Responsable de la documentation technique



---

## Inhoud

---

Inleiding.....	88	Vervoer, opslag en verwerking.....	107
Veiligheid.....	91	Technische gegevens .....	112
Werking.....	95	Accessoires.....	114
Onderhoud.....	99	Verklaring van overeenstemming.....	115
Probleemoplossing.....	106		

---

## Inleiding

---

### Productbeschrijving

Het product is een stofopvanger die wordt aangedreven door elektromotoren. Het stof gaat via de stofvangerslangen naar de stofinlaten. Het product scheidt de stofdeeltjes van de lucht.

### Gebruik

---



**WAARSCHUWING:** Verzamel geen ontstekingsbronnen, hete deeltjes,

vloeistoffen, explosief materiaal en instabiele of pyrofore deeltjes.

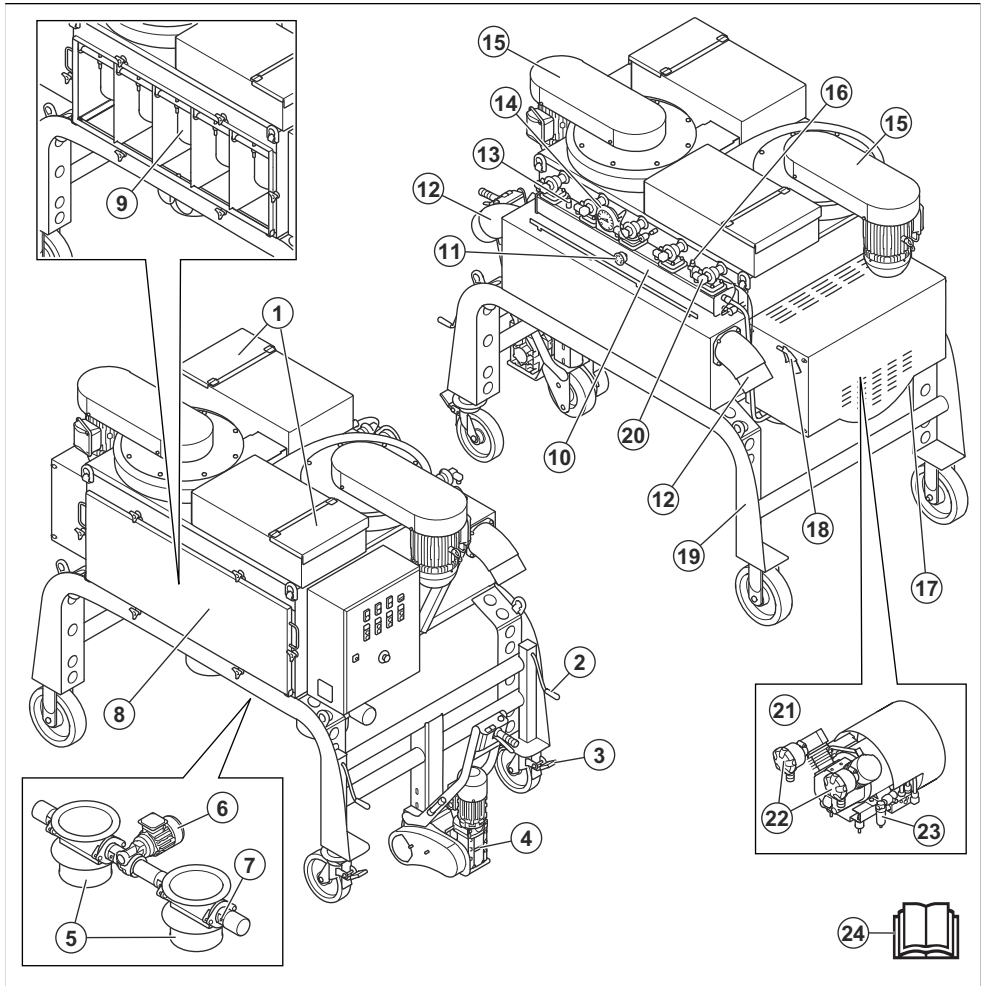
---

Dit product is uitsluitend bedoeld voor professioneel gebruik. Het product is bedoeld voor binnen- en buitengebruik in droge omstandigheden in combinatie met een toepasselijke Husqvarna kogelstraler. Het product is bedoeld voor het droog opzuigen van stof en deeltjes van materiaal dat verwijderd is door de kogelstraler. Het materiaal kan gevaarlijk en schadelijk zijn voor de gezondheid.

Gebruik het product niet voor andere taken. Gebruik het product uitsluitend met accessoires die door de fabrikant zijn goedgekeurd.



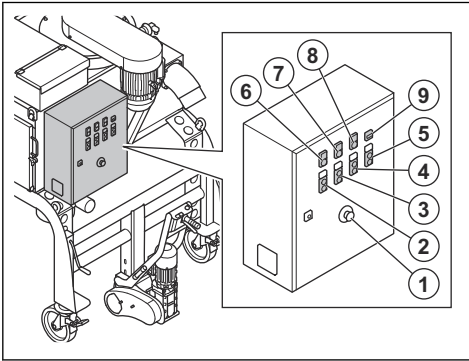
# Productoverzicht



1. Luchtstroomkleppen
2. Hendel voor hoogte-instelling van zwenkwiel
3. Parkeerrem
4. Aandrijfsysteem met snelontgrendelingspin
5. Draaiende kleppen
6. Aandrijfmotor voor de draaiende kleppen
7. Instelmoer voor de pakkingsafdichting
8. Filterdeur
9. Primaire filters
10. Druktank
11. Manometer
12. Luchtinlaten

13. Veiligheidsventiel voor druktank
14. Vacuümmeter
15. Ventilatoreenheden
16. Regelventiel voor druktank
17. Ontwateringsbak
18. Mondstuk voor perslucht
19. Typeplaatje
20. Impulsklep
21. Luchtcompressor
22. Luchtcompressorfilters
23. Waterafscheider
24. Bedieningshandleiding

## Overzicht bedieningspaneel



1. Noodstopknop
2. ON/OFF-knop voor luchtcompressor
3. ON/OFF-knop voor ventilator
4. Aandrijfsysteem knop ON/OFF
5. Draaiende klep ON/OFF
6. Indicator voor onjuiste fase
7. Indicator voor motorbescherming
8. Vermogenindicator
9. Urenteller

## Symbolen op het product



Waarschuwing: Dit product kan gevaarlijk zijn en ernstig of fataal letsel toebrengen aan de gebruiker of anderen. Wees voorzichtig en gebruik het product op de juiste manier.



Hoogspanning.



Hijspunt.



Geen hijspunt.



Houd handen uit de buurt van draaiende onderdelen.



Lees de handleiding goed door en zorg dat u de instructies hebt begrepen voordat u het product gebruikt.



Gebruik goedgekeurde ademhalingsbescherming.



Gebruik goedgekeurde gehoorbescherming.



Gebruik goedgekeurde oogbescherming.



Draag goedgekeurde veiligheidshandschoenen.



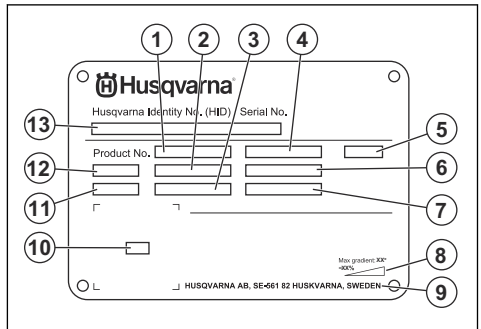
Draag goedgekeurde veiligheidslaarzen.



Dit product voldoet aan de geldende EU-richtlijnen.

**Let op:** Overige op het product aangebrachte symbolen/plaatjes verwijzen naar specifieke eisen aan certificering voor bepaalde markten.

## Typeplaatje



1. Productnummer
2. Gewicht van het product
3. Nominiaal vermogen
4. Nominale spanning
5. Behuizing
6. Nominale stroom
7. Frequentie
8. Maximale hellingshoek
9. Fabrikant

- 10. Scanbare code
- 11. Bouwjaar
- 12. Model
- 13. Serienummer

## Productaansprakelijkheid

Zoals uiteengezet in de wet voor productaansprakelijkheid zijn wij niet aansprakelijk voor schade die door ons product wordt veroorzaakt, indien:

- het product niet goed is gerepareerd.
- het product is gerepareerd met onderdelen die niet van de fabrikant afkomstig zijn, of onderdelen die niet zijn goedgekeurd door de fabrikant.
- het product een accessoire bevat dat niet afkomstig is van de fabrikant of niet is goedgekeurd door de fabrikant.
- het product niet is gerepareerd door een erkend servicepunt of door een erkende autoriteit.

---

## Veiligheid

---

### Veiligheidsdefinities

Waarschuwingen, voorzorgsmaatregelen en opmerkingen worden gebruikt om te wijzen op belangrijke delen van de handleiding.



**WAARSCHUWING:** Wordt gebruikt om te wijzen op de kans op ernstig of fataal letsel voor de gebruiker of omstanders wanneer de instructies in de handleiding niet worden gevolgd.



**OPGELET:** Wordt gebruikt indien er een risico bestaat op schade aan het product en andere eigendommen of aan de omgeving wanneer de instructies in de handleiding niet worden gevolgd.

**Let op:** Geven verdere informatie die nodig is in een bepaalde situatie.

### Algemene veiligheidsinstructies



**WAARSCHUWING:** Lees de volgende waarschuwingen voordat u het product gaat gebruiken.

- Dit product kan bij onvoorzichtig of onjuist gebruik een gevaarlijk gereedschap zijn. Dit product kan ernstig of fataal letsel toebrengen aan de gebruiker of anderen. Het is erg belangrijk dat u deze gebruiksaanwijzing leest en begrijpt voordat u dit product gaat gebruiken.
- Dit product is niet bedoeld voor gebruik door personen (waaronder kinderen) met fysieke, zintuiglijke of geestelijke beperkingen of een gebrek aan kennis en ervaring, tenzij ze bij het gebruik van het product begeleiding of aanwijzingen krijgen van een persoon die verantwoordelijk is voor hun veiligheid.
- Bewaar alle waarschuwingen en instructies.
- U dient alle toepasselijke wet- en regelgeving in acht te nemen.

- De gebruiker en de werkgever van de gebruiker dienen op te hoogte te zijn van de risico's tijdens het gebruik van het product en moeten deze voorkomen.
- Zorg ervoor dat dit product alleen wordt gebruikt door personen die de inhoud van de gebruikershandleiding hebben gelezen en begrepen.
- Gebruik het product alleen als u voorafgaand aan gebruik training hebt ontvangen. Zorg ervoor dat alle gebruikers getraind worden.
- Laat het product niet door een kind bedienen.
- Het product mag alleen worden gebruikt door goedgekeurde personen.
- De gebruiker is verantwoordelijk indien ongelukken gebeuren met andere mensen of hun eigendommen.
- Gebruik het product nooit als u moe of ziek bent, of onder invloed van alcohol, drugs of medicijnen verkeert.
- Wees altijd voorzichtig en gebruik uw gezond verstand.
- Houd het product schoon. Zorg ervoor dat u de aanduidingen en stickers duidelijk kunt lezen.
- Gebruik het product niet als het beschadigd is of niet correct werkt.
- Breng geen wijzigingen aan dit product aan.
- Gebruik het product niet als de mogelijkheid bestaat dat andere personen wijzigingen aan het product hebben aangebracht.

### Veiligheidsinstructies voor bediening



**WAARSCHUWING:** Lees de volgende waarschuwingen voordat u het product gaat gebruiken.

- Maak altijd gebruik van persoonlijke beschermingsmiddelen. Zie *Persoonlijke beschermingsuitrusting op pagina 92*.
- Gebruik het product niet zonder dat alle beschermkappen zijn gemonteerd.
- Zorg ervoor dat u weet hoe u de motor in een noodsituatie snel kunt stoppen.
- Voordat u het product achterlaat, moet u de motor stopzetten en de voedingskabel afkoppelen. Zorg ervoor dat er geen risico op onbedoeld starten bestaat.

- Houd haar, wijde kleding en alle lichaamsdelen uit de buurt van openingen en bewegende delen.
- Zorg ervoor dat u stabiel en veilig staat tijdens het gebruik.
- Controleer of er geen loszittende bouten en moeren zijn.
- Gebruik altijd goedgekeurde accessoires. Neem voor meer informatie contact op met uw Husqvarna-dealer.
- Zorg ervoor dat de afzuigslang op de juiste wijze met de slangklemmen en industriële tape aan het product is bevestigd.
- Let erop dat de parkeerremmen zijn geactiveerd en dat uw positie tijdens het werk veilig en stabiel is.
- Controleer de inhoud van het stofopslagsysteem onder aan het product regelmatig. Draag altijd een stofmasker bij het legen van het stofopslagsysteem. Houd u bij het afvoeren van het stof aan de lokale voorschriften.
- Richt de afzuigslang niet op personen.
- Zorg ervoor dat er geen vet of olie op de handgrepen zit.
- Gebruik het product niet in de nabijheid van water of vloeistoffen.
- Gebruik het product niet voor het verzamelen van hete, brandende of smeulende voorwerpen.
- Gebruik het product niet voor het verzamelen van brandbare of ontvlambare vloeistoffen.
- Gebruik het product niet voor het verzamelen van gevaarlijk stof.
- Stop het product onmiddellijk als er stof uit de filtereenheid komt. De primaire filters zijn beschadigd of niet correct geïnstalleerd.
- Niet gebruiken zonder geplaatste stofzak en/of filters. Vervang de stofzak en het filtersysteem zoals beschreven in deze handleiding.

## Bescherming tegen stof



**WAARSCHUWING:** Lees de volgende waarschuwingen voordat u het product gaat gebruiken.

- Gebruik van het product kan stof in de lucht veroorzaken. Stof kan ernstig letsel en permanente gezondheidsproblemen veroorzaken. Silicastaaf wordt door verschillende instanties als schadelijk beschouwd. Hieronder volgen enkele voorbeelden van dergelijke gezondheidsproblemen:
  - De fatale longaandoeningen chronische bronchitis, silicose en longfibrose
  - Kanker
  - Geboortefwijkingen
  - Huidontsteking
- Gebruik de juiste apparatuur om de hoeveelheid stof en dampen in de lucht te verminderen en om stof op werkuitrusting, oppervlakken, kleding en lichaamsdelen te verminderen. Voorbeelden van

- voorzieningen zijn stofopvangsystemen. Verminder waar mogelijk stof bij de bron. Zorg ervoor dat de apparatuur correct wordt geïnstalleerd en gebruikt en dat er regelmatig onderhoud wordt uitgevoerd.
- Gebruik goedgekeurde ademhalingsbescherming. Zorg ervoor dat adembescherming wordt gebruikt bij gevaarlijke materialen in het werkgebied.
- Zorg ervoor dat er toereikende ventilatie in het werkgebied is.
- Het is de verantwoordelijkheid van de gebruiker om het te behandelen oppervlak aan een analyse te onderwerpen. Op het oppervlak mogen geen stoffen voorkomen die bij behandeling risico opleveren voor brand, explosie of de gezondheid. De gebruiker wordt geacht een risicoanalyse te maken op basis van de gegevens die over het te behandelen oppervlak zijn verkregen en dient passende voorzorgsmaatregelen te treffen.

## Geluidsveiligheid



**WAARSCHUWING:** Lees de volgende waarschuwingen voordat u het product gaat gebruiken.

- Hoge geluidsniveaus en langdurige blootstelling aan lawaai kunnen gehoorverlies veroorzaken.
- Om het geluidsniveau tot een minimum te beperken, moet u het product onderhouden en bedienen zoals beschreven in de gebruikershandleiding.
- Gebruik goedgekeurde gehoorbescherming wanneer u het product gebruikt.
- Let op alarmsignalen en luide stemmen wanneer u gehoorbescherming gebruikt. Verwijder de gehoorbescherming wanneer het product is gestopt, tenzij gehoorbescherming nodig is voor het geluidsniveau in de werkomgeving.

## Persoonlijke beschermingsuitrusting



**WAARSCHUWING:** Lees de volgende waarschuwingen voordat u het product gaat gebruiken.

- Draag tijdens het gebruik van het product altijd goedgekeurde persoonlijke beschermingsuitrusting. Persoonlijke beschermingsuitrusting kunnen niet alle risico's uitsluiten maar kunnen de ernst van eventueel letsel helpen beperken. Vraag uw dealer u te helpen bij het kiezen van de juiste persoonlijke beschermingsmiddelen en wanneer u deze moet gebruiken.
- Controleer regelmatig de toestand van uw persoonlijke beschermingsmiddelen.
- Gebruik goedgekeurde gehoorbescherming.
- Gebruik goedgekeurde ademhalingsbescherming.
- Gebruik goedgekeurde oogbescherming met zijbescherming.
- Draag veiligheidshandschoenen.

- Gebruik laarzen met stalen neus en antislipzool.
- Gebruik goedgekeurde werkkleding of gelijkwaardige nauwsluitende kleding met lange mouwen en lange broekspijpen.

## Veiligheid van het werkgebied



**WAARSCHUWING:** Lees de volgende waarschuwingen voordat u het product gaat gebruiken.

- Gebruik het product niet bij mist, regen, harde wind, koud weer, risico op blikseminslag of andere slechte weersomstandigheden.
- Houd kinderen, omstanders en dieren weg van het werkgebied en op een veilige afstand van minimaal 5 m/17 ft. van het product.
- Zorg ervoor dat er alleen goedgekeurde personen in het werkgebied zijn.
- Zorg ervoor dat de werkplek schoon en goed verlicht is. In rommelige of donkere gebieden gebeuren eerder ongelukken.
- Let erop dat het product niet wordt belemmerd ruwe oppervlakken, zoals lasnaden of vloerverbindingen.
- Zorg ervoor dat er geen kabels of slangen in de werkrichting van het product zijn.
- Zorg ervoor dat er een voldoende luchtstroom op de werkplek is.
- Zorg ervoor dat zich geen brandbare vloeistoffen in het werkgebied bevinden.
- Dit apparaat is niet geschikt voor gebruik op gevaarlijke locaties of voor het verzamelen van stof of vloeistoffen met een hoog explosierisico noch mengsels van onbrandbaar stof en vloeistoffen.
- Zuig geen brandende of smeulende voorwerpen op, zoals sigaretten, lucifers of hete as.
- Gebruik het product niet voor het verzamelen van brandbare vloeistoffen, zoals benzine, en ook niet in gebieden waar brandbare dampen aanwezig kunnen zijn.

## Elektrische veiligheid



**WAARSCHUWING:** Er is altijd kans op schokken van elektrische producten. Gebruik het product niet bij slecht weer. Raak geen bliksemafleiders en metalen voorwerpen aan. Gebruik het product altijd zoals in deze bedieningshandleiding wordt beschreven om letsel te voorkomen.



**WAARSCHUWING:** Gebruik altijd een voeding met aardlekschakelaar. Een aardlekschakelaar vermindert de kans op een elektrische schok.



**WAARSCHUWING:** Hoogspanning. Er bevinden zich onbeschermde onderdelen in de voedingseenheid. Haal altijd de stekker uit het stopcontact voordat u de deur van het regelkastje opent.



**OPGELET:** De voeding van het product of de generator moet krachtig genoeg en constant zijn om de motor probleemloos te kunnen laten werken. Een onjuiste spanning heeft tot gevolg dat het stroomverbruik en de temperatuur van de motor toenemen totdat het veiligheidscircuit wordt geactiveerd. De specificaties van de voedingskabel moeten overeenstemmen met de nationale en lokale voorschriften. De specificaties van het stopcontact moeten overeenstemmen met de stroomsterkte voor het stopcontact en de verlengkabel van het product.

Als het elektriciteitsnet een hogere systeemweerstand heeft, kan er kort spanningsverlies optreden wanneer het product wordt gestart. Dit kan invloed hebben op de werking van andere producten en bijvoorbeeld flinterende lichten veroorzaken.

- De voedingsstekker moet geschikt zijn voor het betreffende stopcontact. Wijzig nooit de stekker. Gebruik nooit een adapterstekker in combinatie met gearde elektrische gereedschappen. Ongewijzigde stekkers en overeenkomende stopcontacten verkleinen het risico op elektrische schokken.
- Vermijd lichamelijk contact met gearde oppervlakken, zoals buizen, radiatoren, fornuizen en koelkasten. Er is een verhoogd risico op elektrische schokken als uw lichaam geard is.
- Controleer of de spanning van het elektriciteitsnet en de zekering overeenkomt met de spanning die wordt aangegeven op het productplaatje van het product.
- Stop het product altijd voordat u de stekker uit het stopcontact haalt.
- Haal de voedingsstekker altijd uit het stopcontact als het product langere tijd niet wordt gebruikt.
- Gebruik het product niet als de voedingskabel of de stekker beschadigd is. Als de voedingskabel is beschadigd, moet deze om gevaar te vermijden, worden vervangen door de fabrikant, de servicewerkplaats van de fabrikant of een gelijkwaardig gekwalificeerd persoon. Een beschadigde voedingskabel kan ernstig letsel en de dood veroorzaken.
- Gebruik de voedingskabel op de juiste manier. Gebruik de voedingskabel niet om het product te verplaatsen, te trekken of los te koppelen. Trek aan de stekker om de voedingskabel los te koppelen. Trek niet aan de voedingskabel.

- Stel het product niet bloot aan regen. Water dat het product binnendringt, verhoogt het risico op elektrische schokken.
- Verwijder de voedingskabel altijd voordat u de verbinding voor de motorkabel en de controlekast aansluit of loskoppelt.
- Om gevaar vanwege onbedoeld resetten van de thermische uitschakeling te voorkomen, mag het apparaat niet worden gevoed via een extern schakelapparaat, zoals een timer, en mag het niet aangesloten worden op een circuit dat regelmatig in- en uitgeschakeld wordt door het nutsbedrijf.
- Zorg ervoor dat de voeding voor het product wordt geleverd door afzonderlijke voedingseenheden die alleen voor industrieel gebruik bedoeld zijn.
- Houd de verlengkabel uit de buurt van hitte, olie, scherpe randen en bewegende delen. Een beschadigde kabel verhoogt het risico op elektrische schokken.
- Controleer of de verlengkabel in goede staat verkeert en niet beschadigd is.
- Gebruik de verlengkabel niet in opgerolde toestand. Daardoor kan de kabel oververhit raken.
- Zorg ervoor dat de verlengkabel tijdens het bedrijf niet in de weg ligt en zich niet bij het product bevindt. Zo voorkomt u dat de verlengkabel beschadigd raakt.

## Veiligheidsvoorzieningen op het product



**WAARSCHUWING:** Lees de volgende waarschuwingen voordat u het product gaat gebruiken.

- Gebruik het product niet als veiligheidsvoorzieningen beschadigd zijn of niet goed werken.
- Controleer de veiligheidsvoorzieningen dagelijks. Als uw veiligheidsvoorzieningen beschadigd zijn of niet goed werken, neem dan contact op met uw Husqvarna servicewerkplaats.
- Voer geen veranderingen uit aan de veiligheidsvoorzieningen

### Noodstopknop

De noodstopknop wordt gebruikt om het product snel te stoppen en schakelt de netvoeding uit.

### De noodstopknop controleren

Raadpleeg *Overzicht bedieningspaneel op pagina 90* voor informatie over de locatie van de noodstopknop op uw product.

1. Draai de noodstopknop rechtsom om ervoor te zorgen dat de noodstopknop wordt uitgeschakeld.
2. Start het product. Zie *Product starten op pagina 97*.
3. Druk op de noodstopknop.
4. Zorg ervoor dat de motor stopt.
5. Draai de noodstopknop rechtsom om deze uit te schakelen.

### Motorbeveiligingsschakelaar

Het product is uitgerust met een aantal motorbeveiligingsschakelaars om overbelasting van de motor te voorkomen. Laat een elektricien de motorbeveiligingsschakelaars nakijken als de motor overbelast is geraakt.

## Veiligheidsinstructies voor onderhoud



**WAARSCHUWING:** Lees de volgende waarschuwingen voordat u onderhoud aan het product uitvoert.

## Instructies voor geaard product



**WAARSCHUWING:** Een verkeerde aansluiting kan leiden tot elektrische schokken. Raadpleeg een erkende elektricien als u niet zeker weet of de contactdoos van het elektriciteitsnet correct geaard is.

Breng geen wijzigingen aan de stekker aan ten opzichte van de fabrieksspecificatie. Als de stekker of de voedingskabel beschadigd is of moet worden vervangen, raadpleeg dan uw Husqvarna-servicewerkplaats. Volg de lokale regel- en wetgeving.

Neem contact op met een erkende elektricien als u de instructies over het geaarde product niet volledig begrijpt.

Gebruik alleen geaarde verlengkabels voor buitengebruik met geaarde stekkers en geaarde contactdozen die geschikt zijn voor de stekker van het product.

Het product heeft een geaarde voedingskabel en een geaarde stekker. Sluit het product altijd aan op een geaard stopcontact. Dit vermindert de kans op een elektrische schok.

Gebruik geen adapters in combinatie met het product.

### Verlengkabels

- Gebruik alleen goedgekeurde verlengkabels met geschikte eigenschappen.
- De markering op de verlengkabel moet gelijk zijn aan of hoger zijn dan de waarde op het productplaatje van het product.
- Gebruik geaarde verlengkabels.
- Gebruik een verlengkabel die geschikt is voor gebruik buitenshuis wanneer u buiten werkt met het product. Dit vermindert de kans op een elektrische schok.
- Houd de aansluiting op de verlengkabel droog en zorg dat deze de grond niet raakt.

- Productgerelateerde ongevallen kunnen zich tijdens probleemoplossing, servicewerkzaamheden en onderhoud voordoen, aangezien de gebruiker zich dan in het risicogebied van het product bevindt. De gebruiker moet voorzichtig zijn, een plan opstellen en de werkzaamheden voorbereiden om ongevallen te vermijden.
- Als het onderhoud niet correct en regelmatig wordt uitgevoerd, neemt de kans op letsel of schade aan het product toe.
- Maak altijd gebruik van persoonlijke beschermingsmiddelen. Zie *Persoonlijke beschermingsuitrusting op pagina 92*.
- Haal de stekker uit het stopcontact voordat u onderhoud uitvoert.
- Breng geen wijzigingen aan het product aan. Wijzigingen aan het product die niet zijn goedgekeurd door de fabrikant, kunnen leiden tot ernstig letsel of overlijden.
- Gebruik altijd originele accessoires en reserveonderdelen. Accessoires en wijzigingen die niet zijn goedgekeurd door de fabrikant, kunnen leiden tot ernstig letsel of overlijden.
- Vervang beschadigde, versleten of defecte onderdelen.
- Voer alleen onderhoud uit zoals beschreven in deze bedieningshandleiding. Laat een goedgekeurde servicewerkplaats alle andere onderhoudswerkzaamheden uitvoeren.
- Als een vervanging van de voedingskabel noodzakelijk is, moet deze worden uitgevoerd door de fabrikant of de werkplaats van de fabrikant, om veiligheidsrisico's te voorkomen.
- Laat alleen een erkende elektricien alle controles van de elektrische onderdelen uitvoeren.
- Wees voorzichtig wanneer u met de filters bezig bent. Als de filters beschadigd raken, kan er stof vrijkomen.
- De fabrikant, of een geïnstrueerde persoon, moet minimaal een keer per jaar een technische inspectie uitvoeren. De technische inspectie bestaat uit inspectie van de filters op schade, de luchtdichtheid van het product en de correcte werking van het regelmechanisme. Bovendien moet de effectiviteit van de filter van het product ten minste een keer per jaar worden getest, of vaker, zoals door nationale voorschriften kan worden gespecificeerd. Als de test niet wordt uitgevoerd, moeten de primaire filters worden vervangen door nieuwe.
- Tijdens servicewerkzaamheden of reparaties moeten alle verontreinigde componenten die niet naar behoren kunnen worden gereinigd, worden afgevoerd. Gebruik hiervoor ondoordringbare zakken en volg de richtlijnen voor het afvoeren van dergelijk afval.
- Alle machineonderdelen worden als verontreinigd beschouwd wanneer ze uit het werkgebied zijn verwijderd en passende maatregelen zijn vereist om het vrijkomen van stof te voorkomen.
- Voordat de machine uit het werkgebied wordt verwijderd, moet de buitenkant met een vacuümsysteem worden ontsmet en worden schoongeveegd of met sealant worden behandeld.
- Bij servicewerkzaamheden door de gebruiker moet de machine worden gedemonteerd, gereinigd en geservicet, voor zover redelijkerwijs mogelijk, zonder het onderhoudspersoneel en anderen aan risico's bloot te stellen. Passende voorzorgsmaatregelen zijn onder meer ontsmetting vóór de demontage, een lokaal gefilterd afzuigstelsel waar de machine wordt gedemonteerd, reiniging van het werkgebied en geschikte persoonlijke beschermingsmiddelen.
- Als de uitblaaslucht wordt teruggevoerd naar de ruimte, is LUCHTVERVERSINGSGRAAD ACR in de ruimte een vereiste. Neem de nationale voorschriften in acht.

---

## Werking

---

### Inleiding



**WAARSCHUWING:** Voordat u het product gaat gebruiken, dient u het hoofdstuk over veiligheid te lezen en hebben begrepen.

### Voordat u het product gebruikt



**WAARSCHUWING:** Om risico op letsel te voorkomen, dient u ervoor te zorgen dat de stekker van het product goed aan de verlengkabel wordt bevestigd. Controleer de aansluiting regelmatig tijdens het gebruik van het product om u ervan te verzekeren dat de stekker goed vastzit. Gebruik een verlengkabel niet als deze loszit.



**WAARSCHUWING:** Lees de bedieningshandleiding voor het aangesloten apparaat zorgvuldig door. Als er specifieke eisen of instellingen voor het secundaire product gelden, dient u zich hieraan te houden.

1. Lees de gebruikershandleiding zorgvuldig door en zorg dat u de instructies hebt begrepen.
2. Voer dagelijks onderhoud uit. Zie *Onderhoudsschema op pagina 99*.
3. Zorg ervoor dat het werkgebied schoon en droog is.
4. Maak altijd gebruik van persoonlijke beschermingsmiddelen. Zie *Persoonlijke beschermingsuitrusting op pagina 92*.
5. Controleer of het product correct is gemonteerd.



6. Let erop dat de frequentie en de spanning op het typeplaatje overeenkomen met de voedingsspanning. Dit geldt ook voor verlengkabels.
7. Schakel het aandrijfsysteem uit. Zie *Het aandrijfsysteem inschakelen op pagina 107*.
8. Schakel de parkeerrem in. Zie *De parkeerrem in- en uitschakelen op pagina 96*.
9. Sluit de 2 stofzuigerslangen aan. Zie *De afzuigslang bevestigen op pagina 96*.
10. Monteer een BigBag. Plaats een pallet onder de BigBag.
11. Zorg ervoor dat de stekker correct op de voeding wordt aangesloten.

## De afzuigslang bevestigen

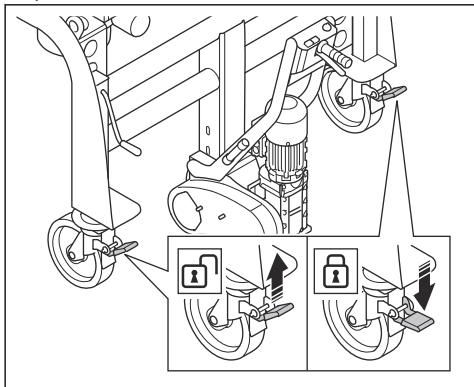
Gebruik antistatische afzuigslangen met een diameter van 150 mm/6 inch.

- Bevestig de 2 afzuigslangen met de slangklemmen en industriële tape.

## De parkeerrem in- en uitschakelen

Activeer de parkeerrem voordat u het product start.

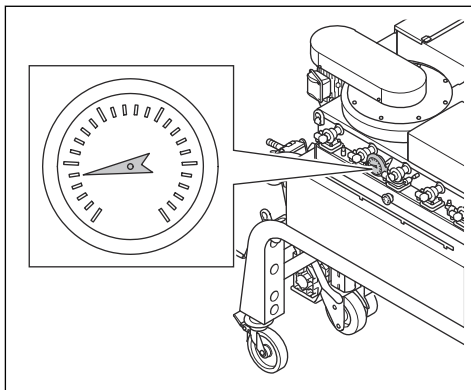
1. Duw de vergrendelingshendel omlaag om de parkeerrem te activeren.



2. Als u de parkeerrem wilt vrijgeven, duwt u de hendel omhoog.

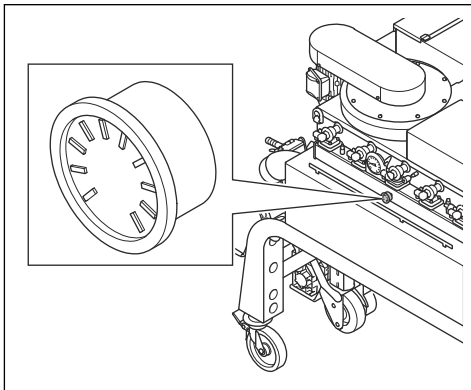
## Vacuümmer

De vacuümmer geeft de conditie van de primaire filters weer. Als de waarde op de vacuümmer 20 cm H<sub>2</sub>O of hoger is, moeten de primaire filters worden gereinigd. Zie *De primaire filters reinigen op pagina 101*. Is de waarde op de vacuümmer na reiniging van de primaire filters 15 cm H<sub>2</sub>O of hoger, dan moeten de primaire filters worden vervangen. Zie *De primaire filters vervangen op pagina 102*.



## Manometer van de druktank

De manometer van de druktank geeft de druk in de druktank weer. De lucht in de druktank reinigt de primaire filters. De druk is tijdens het gebruik rond 7 bar/100 PSI.



## Waterafscheider

De waterafscheider verwijdert vuil, olie en water uit de lucht.

## Een secundair product aansluiten

1. Sluit de stekker van het secundaire product aan op een geschikte voeding.
2. Controleer of de afzuigslangen tussen de machine en het secundaire product bevestigd zijn met de slangklemmen en industriële tape.
3. Controleer of de afzuigslangen in goede conditie verkeren en vrij kunnen bewegen.

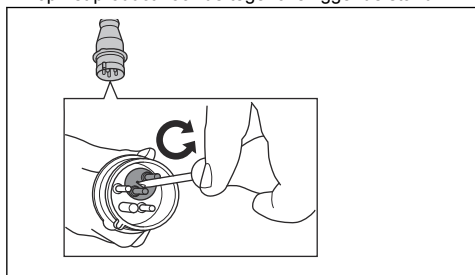


## Het product op een stroombron aansluiten

1. Sluit de voedingsstekker van het product aan op een geaard stopcontact of een andere stroombron.
2. Controleer of de netspanning overeenkomt met de spanning die is aangegeven op het productplaatje op het product.

## Fasevolgorde wijzigen

1. Stop het product. Zie *Product stoppen op pagina 98*.
2. Wacht tot het product volledig is gestopt.
3. Koppel de verlengkabel los van de voedingsstekker op het product.
4. Draai de omkeerschakelaar in de voedingsstekker op het product naar de tegenoverliggende stand.



5. Sluit het snoer aan en controleer het bedieningspaneel. Zie *Waarschuwinglampje van de motorbescherming en fout in voeding op pagina 97*.

## Waarschuwinglampje van de motorbescherming en fout in voeding

Het waarschuwinglampje van de motorbescherming van de straalmotoren brandt als er een fout in de voeding is. De motoren kunnen niet starten als het lampje brandt. Schakel de motorbescherming uit om de motoren te starten. Zie *De motorbescherming uitschakelen op pagina 97*.

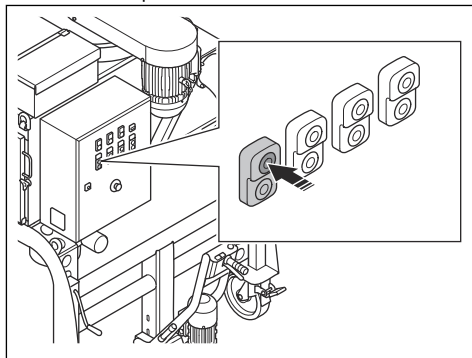
## De motorbescherming uitschakelen

1. Wijzig de fasepositie.
2. Controleer het waarschuwinglampje van de motorbescherming. Als het lampje nog steeds brandt is de voeding niet correct.
3. Controleer de motorbeveiligingsschakelaar in de controlekast.
4. Controleer het waarschuwinglampje van de motorbescherming. Als het lampje nog steeds brandt is de voeding niet correct.
5. Controleer alle fases met een multimeter. Herstel de ontbrekende fases.
6. Start de motoren. Zie *Product starten op pagina 97*.

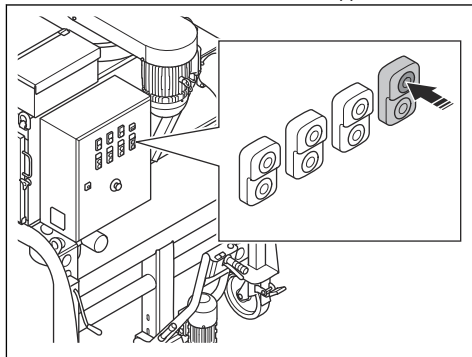
7. Controleer het waarschuwinglampje van de motorbescherming. Als het lampje nog steeds brandt, moet u contact opnemen met uw Husqvarna-servicewerkplaats.

## Product starten

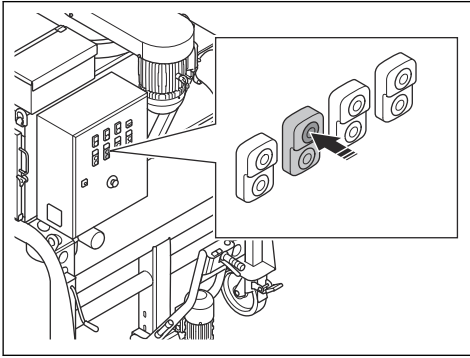
1. Voer alle stappen uit in *Voordat u het product gebruikt op pagina 95*.
2. Controleer of de 2 luchtstroomkleppen gesloten zijn.
3. Controleer of de afzuigslangen tussen het product en het secundaire product correct bevestigd zijn.
4. Start de compressor.



5. Start de motor voor de draaiende kleppen.



6. Start de ventilatoren en wacht tot de ventilatoren op volle snelheid draaien.



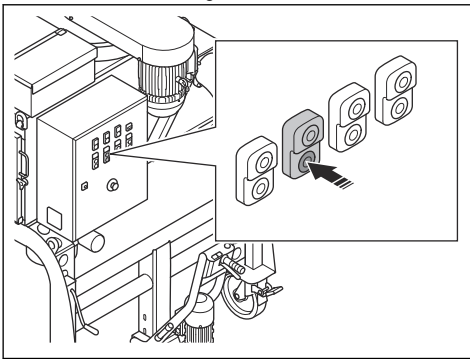
**Let op:** De 2 ventilatoren starten niet tegelijkertijd. Als de eerste ventilator op volle snelheid draait, start de tweede ventilator. De luchtstroomkleppen worden automatisch geopend.



**WAARSCHUWING:** Gebruik het aandrijfsysteem niet als het product in bedrijf is.

## Product stoppen

1. Als u het product tijdelijk wilt stoppen, stop dan alleen de ventilatoren. De luchtstroomkleppen worden automatisch gesloten.



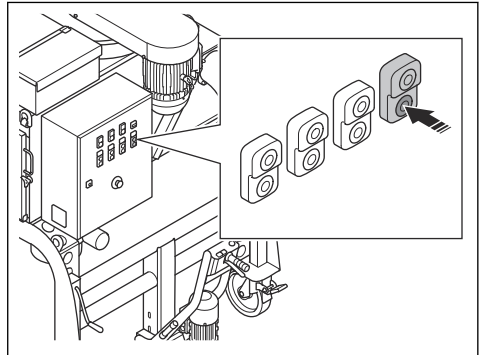
**Let op:** Als de luchtcompressor tijdens een korte onderbreking aan blijft, reinigt het product de primaire filters.



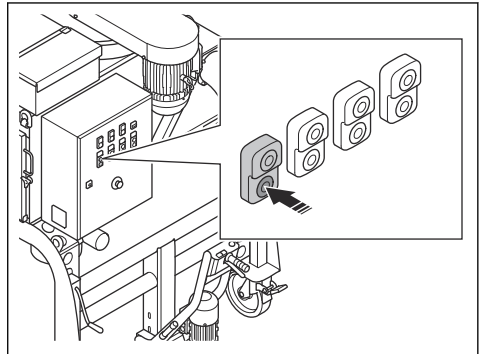
**WAARSCHUWING:** Zorg ervoor dat de luchtinlaten gesloten zijn tijdens de productreinigingscyclus. Als de luchtinlaten niet gesloten zijn, kan er stof in de lucht terechtkomen. De stofdeeltjes zijn gevaarlijk voor uw gezondheid.

2. Als u het product langer dan een uur wilt stoppen, stopt u de ventilatoren en voert u de volgende stappen uit:

- a) Stop de motor voor de draaiende kleppen.



- b) Stop de luchtcompressor.



- c) Koppel de stekker los van de voeding.

## Een volle BigBag afvoeren en een nieuwe BigBag-zak plaatsen

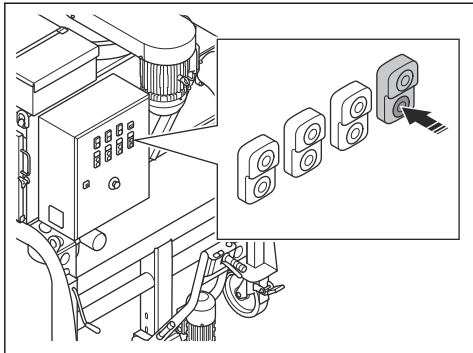


**WAARSCHUWING:** Til de BigBag voorzichtig op. Gebruik hefuitrusting. Een volle BigBag kan zwaar zijn. Controleer of de spanbanden goed vastzitten voordat u de BigBag eruit tilt.

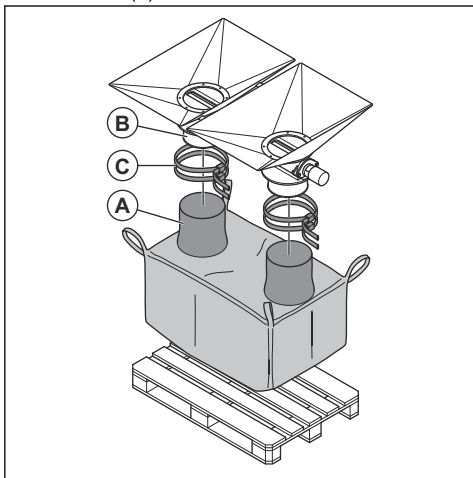


**WAARSCHUWING:** Gebruik goedgekeurde ademhalingsbescherming wanneer u de BigBag vervangt. Zie *Persoonlijke beschermingsuitrusting op pagina 92*.

1. Stop de motor voor de draaiende kleppen.

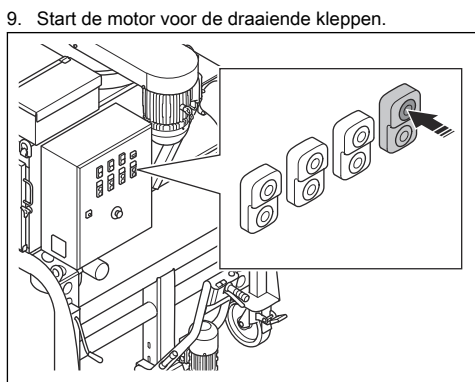


2. Verwijder de BigBag-trechers van de stofuitlaten en sluit deze.
3. Verwijder de pallet en de BigBag van het product.
4. Volg de lokale voorschriften bij het afvoeren van een volle BigBag-zak.
5. Plaats een nieuwe pallet en een nieuwe BigBag onder het product.
6. Monteer de trechers van de BigBag (A) op de stofuitlaten (B).



7. Bevestig de trechers van de BigBag aan de stofuitlaten met spanbanden (C).

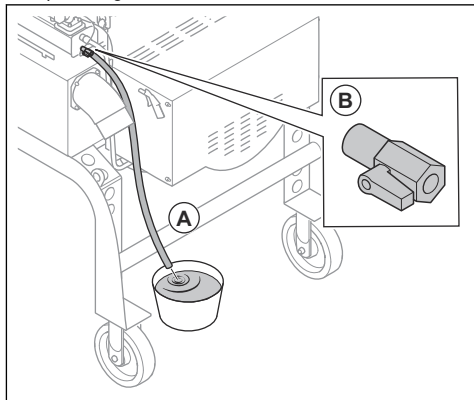
8. Controleer of de BigBag gelijkmatig op de pallet rust.



## Water uit de druktank aftappen

Het water uit de perslucht verzamelt zich in de druktank. Dat water moet dagelijks uit de druktank worden afgetapt.

1. Stop het product. Zie *Product stoppen op pagina 98*.
2. Plaats een bak onder de aftapslang (A) om het water op te vangen.



3. Open het waterventiel (B).
4. Wanneer al het water is afgetapt, sluit u het waterventiel.

## Onderhoud

### Inleiding



**WAARSCHUWING:** Zorg dat u het hoofdstuk over veiligheid hebt gelezen en begrepen voordat u onderhoud aan het product gaat uitvoeren.

### Onderhoudsschema

\* = Algemeen onderhoud uit te voeren door de gebruiker. De instructies zijn niet opgenomen in deze gebruikershandleiding.

X = De instructies zijn opgenomen in deze gebruikershandleiding.

O = De instructies zijn niet opgenomen in deze gebruikershandleiding. Laat onderhoud aan de machine uitvoeren door een erkende servicewerkplaats.

<b>Algemeen productonderhoud</b>	<b>Elke dag</b>	<b>Wekelijks</b>	<b>Maandelijks</b>	<b>12 uur na onderhoud</b>	<b>Elke 3 maanden</b>	<b>Jaarlijks</b>
Controleer of de stekker en verlengkabel in goede staat verkeren en niet beschadigd zijn.	*					
Controleer de elektrische onderdelen, de kabels en de aansluitingen op slijtage en beschadiging.	*					
Controleer het RCD.	*					
Controleer de motoren op vuil en schade.	*					
Leeg de ontwateringsbak.	*					
Controleer of de afzuigslangen niet beschadigd of verstopt zijn.	*					
Tap het water uit de druktank af.	X					
Controleer of de afzuigslangen correct geplaatst zijn.	X					
Verwijder stof van het product.	X					
Controleer alle veiligheidsvoorzieningen.	X					
Reinig de luchtcompressorfilters. Vervang indien nodig.		X				
Controleer of er geen stoflekage bij de afdichtingen van de draaiende kleppen is.		X				
Controleer of het geluidsniveau van de lagers van de draaiende kleppen niet ongebruikelijk hoog is.			*			
Inspecteer de aandrijfmotor van de draaiende kleppen op olielekage.			*			
Controleer of de bladen van de draaiende kleppen niet versleten zijn en of er geen luchtlekage is. Vervang indien nodig.			X			
Controleer of de moeren en schroeven goed zijn vastgedraaid.				*		
Reinig het filter van de waterafscheider. Vervang indien nodig.					X	
Controleer de spanning van de V-riem.					X	
Vervangen de luchtcompressorfilters.					X	
Vervang het filter van de waterafscheider.						X
Reinig het bovenste gedeelte van de filtereenheid.					O	

Algemeen productonderhoud	Elke dag	Wekelijks	Maandelijks	12 uur na onderhoud	Elke 3 maanden	Jaarlijks
Voer een volledige onderhouds- en reinigingsbeurt uit.						○

## Product reinigen

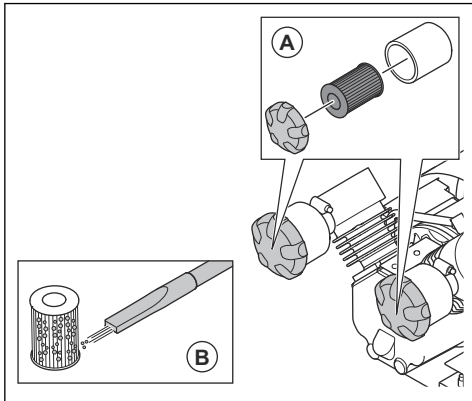
- Reinig na gebruik altijd alle apparatuur. Gebruik een stofzuiger.
- Reinig het product niet met een hogedrukspuit.
- Houd de luchtopeningen schoon en vrij om ervoor te zorgen dat het product altijd een voldoende koude temperatuur heeft.

## De compressorfilters reinigen



**OPGELET:** Reinig de compressorfilters niet met water of een hogedrukspuit. Sla niet hard tegen de filters om ze te reinigen. Reinig de compressorfilters niet met perslucht.

1. Verwijder de twee doppen en de twee compressorfilters (A).



2. Reinig de twee compressorfilters met een kleine stofzuiger (B).
3. Plaats de twee compressorfilters en de twee doppen terug.

Als de compressorfilters niet helemaal schoon worden of als ze beschadigd zijn, moeten ze worden vervangen.

## Het filter van de waterafscheider reinigen

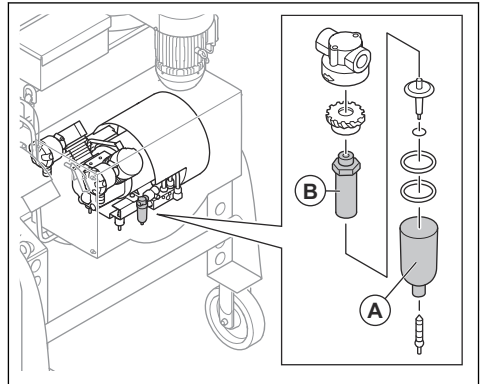


**OPGELET:** Reinig het filter niet met een hogedrukspuit. Sla niet hard tegen het filter om het te reinigen.

1. Verwijder het filter uit de waterafscheider. Zie *Het filter van de waterafscheider vervangen op pagina 101*.
2. Reinig het filter met warm water.
3. Droog het filter met perslucht.
4. Plaats het filter terug. Zie *Het filter van de waterafscheider vervangen op pagina 101*.

## Het filter van de waterafscheider vervangen

1. Stop het product. Zie *Product stoppen op pagina 98*.
2. Verwijder de beker van de waterafscheider (A).



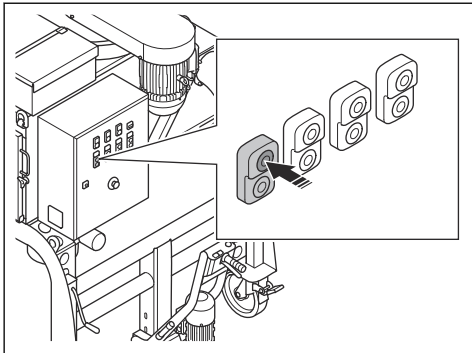
3. Vervang het filter van de waterafscheider (B).
4. Plaats de beker van de waterafscheider (A) terug.

## De primaire filters reinigen

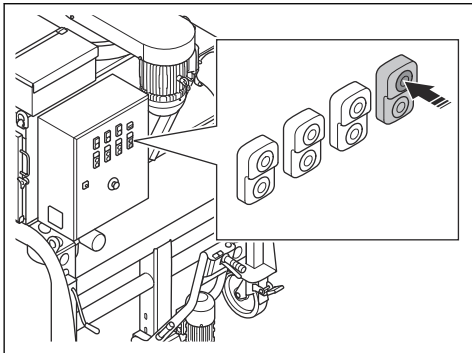


**WAARSCHUWING:** Sluit de luchtinlaat altijd tijdens pulsreiniging. Als de luchtinlaat niet dicht is, kan er stof in de lucht terecht komen. De stofdeeltjes zijn gevaarlijk voor uw gezondheid.

1. Start de compressor.



2. Start de motor voor de draaiende kleppen.



3. Houd de luchtcompressor 30 minuten ingeschakeld terwijl het product niet in werking is. Er stroomt dan perslucht door de primaire filters om ze te reinigen.

### De primaire filters vervangen

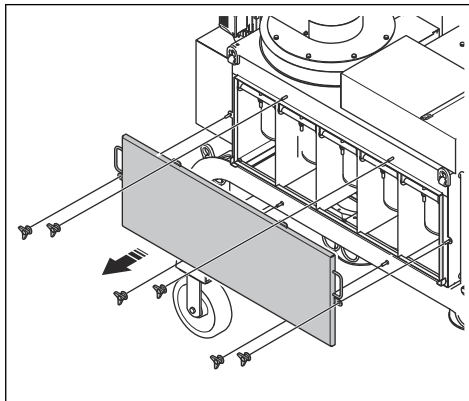


**WAARSCHUWING:** Gebruik bij het vervangen van de primaire filters altijd persoonlijke beschermingsmiddelen. Zie *Persoonlijke beschermingsuitrusting op pagina 92*.

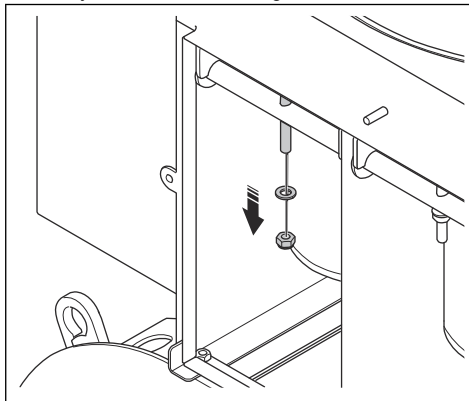
Het product bevat 20 primaire filters. Vervang alle filters gelijktijdig.

1. Stop het product. Zie *Product stoppen op pagina 98*.

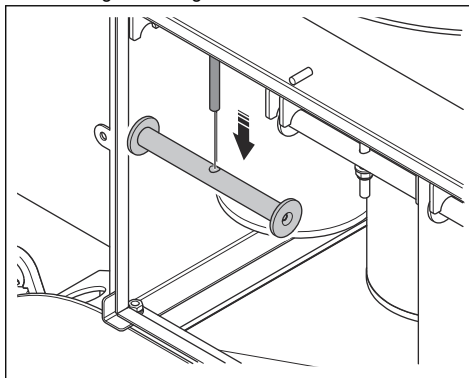
2. Verwijder de zes vergrendelknoppen en de deur het filterhuis.



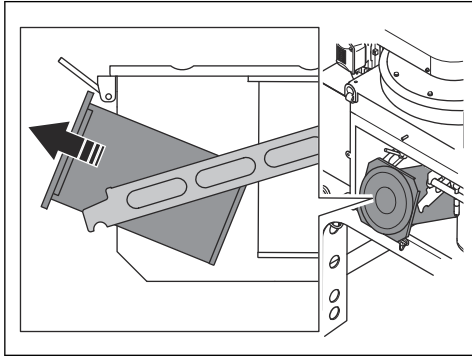
3. Verwijder de moer en sluitring.



4. Verwijder de vergrendelstang en kantel de filterbeugels omlaag.

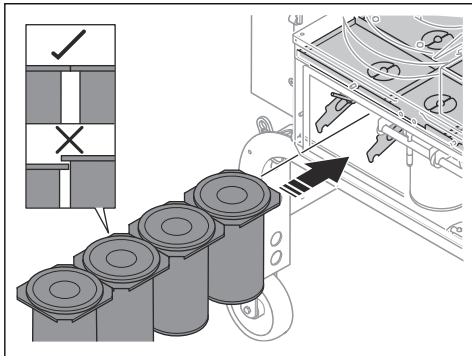


5. Trek de vier primaire filters eruit en plaats ze voorzichtig in een plastic zak.



**WAARSCHUWING:** Wees voorzichtig bij het verwijderen van de primaire filters. De deeltjes in de primaire filters zijn schadelijk voor uw gezondheid.

6. Voer de plastic zak correct af. Neem de lokale voorschriften in acht.
7. Duw vier nieuwe primaire filters op de filterbeugels in het filterhuis. Plaats de filters een voor een. Let erop dat de randen van de primaire filters elkaar niet overlappen.



**WAARSCHUWING:** Als de primaire filters niet correct worden geplaatst, kan er stof in de lucht terechtkomen. De stofdeeltjes zijn gevaarlijk voor uw gezondheid.

8. Plaats de vergrendelstang terug.
9. Monteer de sluitring en de moer. Let erop dat er geen ruimte tussen de sluitring en de moer zit.



**OPGELET:** De moer en de sluitring moeten correct worden geplaatst op de schroef aan de vergrendelstang. Stof

in het filterhuis kan de schroefdraad beschadigen.

10. Vervang de andere vier rijen primaire filters op dezelfde manier.
11. Plaats de deur van het filterhuis en de zes vergrendelknoppen terug.

## De spanning van de V-riem controleren

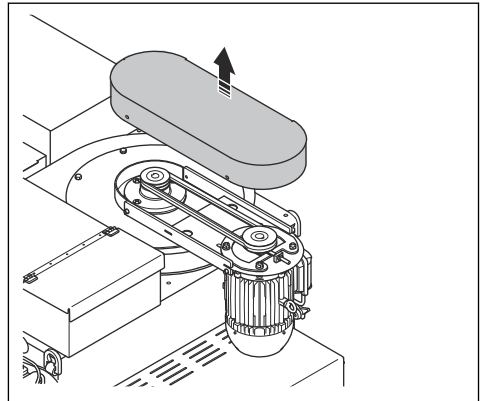


**WAARSCHUWING:** Verwijder de V-riemkappen uitsluitend als de stekker van het product uit het stopcontact is en de motoren volledig stilstaan.

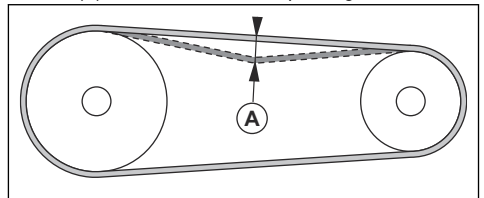


**WAARSCHUWING:** Gebruik het product niet zonder dat de V-riemkappen zijn gemonteerd.

1. Stop het product. Zie *Product stoppen op pagina 98*.
2. Verwijder de V-riemkappen.

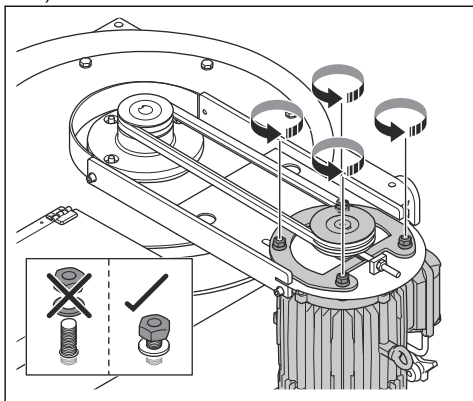


3. Controleer de V-riemkappen op beschadiging en slijtage. Vervang de V-riemkappen indien nodig.
4. Duw de V-riemen met uw duim in om de spanning te controleren. Als u de V-riemen 10-15 mm/0,4-0,6 inch (A) kunt indrukken is de spanning correct.

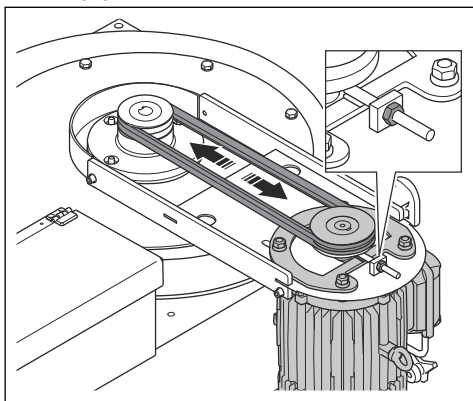


5. Voer de volgende stappen uit om de spanning van de V-riem aan te passen wanneer nodig:.

a) Draai de vier moeren los.



b) Vergroot de afstand tussen de motor en de lager om spanning van de V-riem te verhogen. Verklein de spanning om de V-riemen losser te maken.



c) Draai de vier moeren vast.

6. Monteer de V-riemkappen.

## De V-riemen vervangen



**WAARSCHUWING:** Verwijder de V-riemkap uitsluitend als de stekker van het product uit het stopcontact is en de motor volledig stilstaat.



**WAARSCHUWING:** Gebruik het product niet zonder dat de V-riemkap is gemonteerd.

1. Stop het product. Zie *Product stoppen op pagina 98*.
2. Verwijder de V-riemkap. Zie *De spanning van de V-riem controleren op pagina 103*.

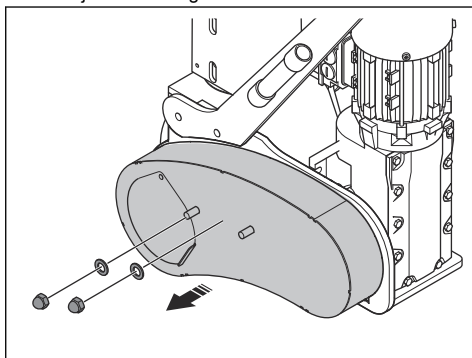
3. Verklein de afstand tussen de motor en de lager om de spanning van de V-riem te verlagen.
4. Verwijder de oude V-riem en plaats een nieuwe.
5. Vergroot de afstand tussen de motor en de lager om de V-riem op spanning te brengen. Zie *De spanning van de V-riem controleren op pagina 103*.
6. Monteer de V-riemkap.

## De kettingspanning van het aandrijfsysteem checken

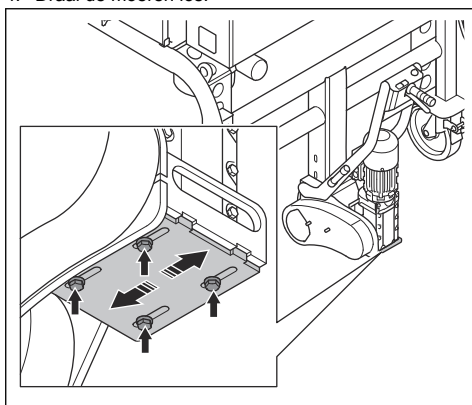


**WAARSCHUWING:** Gebruik het product niet zonder de kettingbeschermer.

1. Stop het product. Zie *Product stoppen op pagina 98*.
2. Verwijder de kettingbeschermer.



3. Duw tegen de ketting om de spanning te checken. Als u de ketting 5 mm/0,2 inch kunt indrukken is de spanning correct.
4. Draai de moeren los.



5. Verplaats het kettingwiel om de spanning aan te passen.
6. Draai de moeren vast.

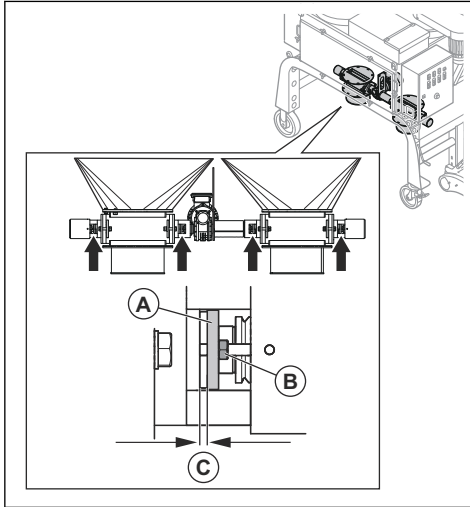


7. Plaats de kettingbeschermer.

## Pakkingsafdichtingen van de draaiende afstellen

Als er stoflekage bij de pakkingsafdichtingen is, moeten de pakkingsafdichtingen worden aangehaald. Er zijn pakkingsafdichtingen aan elke kant van de twee draaiende kleppen.

1. Stop het product. Zie *Product stoppen op pagina 98*.
2. Zorg ervoor dat de lagerbussen (A) verticaal en niet in een hoek staan.



3. Haal de moeren (B) een halve draai aan.



**OPGELET:** Haal de moeren niet te strak aan. De pakkingsafdichtingen kunnen beschadigd raken.

4. Zorg ervoor dat de afstand (C) links en rechts gelijk is.
5. Start het product en controleer of er geen stoflekage bij de pakkingsafdichtingen is.

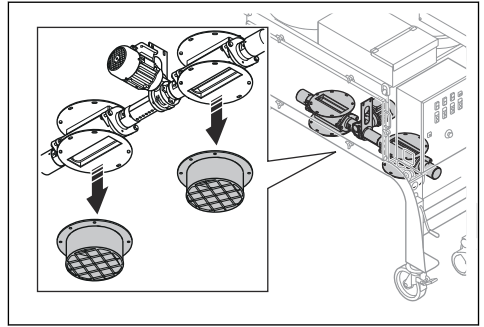
## Afdichtingen draaiende kleppen vervangen



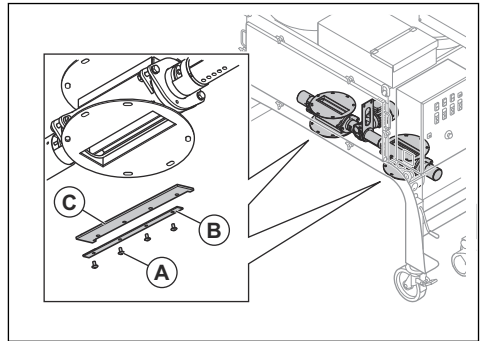
**WAARSCHUWING:** Gebruik goedgekeurde ademhalingsbescherming wanneer u de afdichtingen van de draaiende kleppen vervangt. Zie *Persoonlijke beschermingsuitrusting op pagina 92*.

1. Stop het product. Zie *Product stoppen op pagina 98*.
2. Zorg ervoor dat de voeding losgekoppeld is.

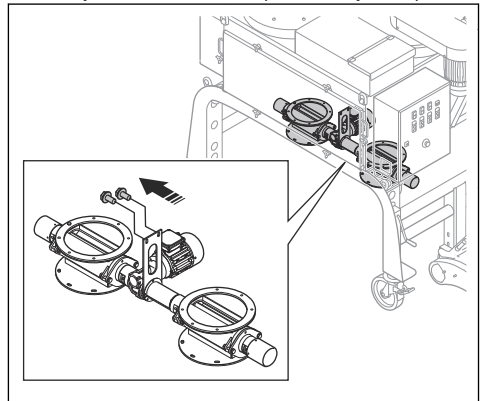
3. Verwijder de BigBag en verwijder de stofuitlaten.



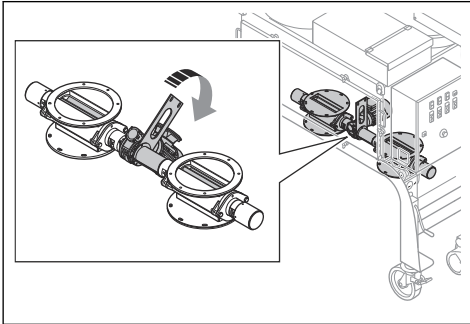
4. Verwijder de vier bouten (A), de klemstrook (B) en het afdichtingsblad (C) van de afdichting van de draaiende klep



5. Verwijder de twee bouten op de aandrijfmotorplaat.



6. Draai de aandrijfmotor totdat u de volgende set afdichtingsbladen kunt verwijderen.



7. Voer dezelfde procedure uit totdat alle afdichtingsbladen verwijderd zijn.
8. Om nieuwe afdichtingsbladen te monteren, moeten deze stappen voor elke set afdichtingsbladen worden uitgevoerd:
- Breng draadborgmiddel op vier nieuwe bouten aan.
  - Monteer een nieuw afdichtingsblad, de klemstrook en de vier bouten.
  - Haal de twee bouten in het midden eerst aan, en haal vervolgens de bouten bij elk uiteinde van de klemstrook aan.
9. Controleer of het afdichtingsblad is uitgelijnd op de behuizing van de draaiende klep en of er een minimale afstand is.

## Probleemoplossing

Probleem	Oorzaak	Oplossing
Het filterreinigings-systeem functioneert niet naar behoren.	Er is geen of niet voldoende spanning in de druktank.	Controleer het pneumatische systeem. Reinig het compressorfilter. Zie <i>De compressorfilters reinigen op pagina 101</i> .
	Er zit te veel vocht in de druktank.	Verwijder al het water uit de druktank. Zie <i>Water uit de druktank aftappen op pagina 99</i> .
	De PLC (Programmable Logic Controller) functioneert niet naar behoren of de instellingen zijn onjuist.	Neem contact op met een erkende service-werkplaats.
	De compressorfilters zijn vuil.	Reinig de compressorfilters. Zie <i>Product reinigen op pagina 101</i> .
	De BigBag is niet correct bevestigd of heeft een lekkage.	Controleer of de BigBag correct is bevestigd en geen gat heeft.
De motoren staan aan, maar er is geen afzuiging.	De primaire filters zijn vuil.	Reinig de primaire filters. Zie <i>De primaire filters reinigen op pagina 101</i> . Vervang de primaire filters indien nodig. Zie <i>De primaire filters vervangen op pagina 102</i> .
	Er is een lekkage in het stofopvangsysteem.	Controleer de afdichtingen in het stofopvangsysteem op lekkages. Vervang indien nodig.
	De afzuigslangen zijn niet correct geplaatst of beschadigd.	Controleer de afzuigslangen. Vervang indien nodig.
	De V-riem heeft niet de juiste spanning.	Controleer de spanning van de V-riem.
Het lampje voor fasevolgorde brandt.	De fases zijn niet correct.	Wijzig de fasevolgorde. Zie <i>Fasevolgorde wijzigen op pagina 97</i> .
De indicator voor motorstoring brandt.	De motorbeveiligingsschakelaar is geactiveerd vanwege overbelasting van de motor.	Zorg ervoor dat u de juiste voeding gebruikt.
		Laat een elektricien de storing nakijken.
Er komt stof in de lucht terecht via de luchtstroomkleppen.	De primaire filters zijn beschadigd of niet correct geïnstalleerd.	Controleer de primaire filters. Vervang deze indien nodig. Raadpleeg <i>Inleiding op pagina 95</i> .

Probleem	Oorzaak	Oplossing
Het product maakt vreemde geluiden.	Er zijn losse schroeven en moeren.	Haal alle schroeven en moeren aan.
	Er is een storing in de lagers.	Neem contact op met een erkende service-werkplaats.
	De luchtstroomkleppen zijn beschadigd.	Controleer de luchtstroomkleppen. Vervang indien nodig.
De druk in de druk-tank is minder dan 7 bar.	Het filter van de waterafscheider is vuil of beschadigd.	Reinig het filter van de waterafscheider. Vervang indien nodig.
	De compressorfilters zijn vuil of beschadigd.	Reinig de compressorfilters. Vervang indien nodig.
	Er is een lekkage in de leidingen.	Neem contact op met een erkende service-werkplaats.
	Het regelventiel is beschadigd.	Neem contact op met een erkende service-werkplaats.
	Het pneumatische systeem is beschadigd.	Controleer het pneumatische systeem.

## Vervoer, opslag en verwerking

### Transport



**WAARSCHUWING:** Wees voorzichtig tijdens het transport. Het product is zwaar en kan als het valt of beweegt letsel of schade veroorzaken.



**OPGELET:** Sleep het product niet achter een voertuig.

- Zorg ervoor dat de elektrische kabel en de afzuigslang zijn losgekoppeld voordat het product op transport gaat. Sluit de luchtinlaat wanneer de afzuigslang is losgekoppeld.
- Verwijder het verzamelde stof voordat het product op transport gaat.
- Met de wielen kunt u het product verplaatsen voor kortere afstanden. Voor langere afstanden vergrendelt u de wielen en heft u het product om het te verplaatsen of op een voertuig te plaatsen.
- Zorg dat het product tijdens het transport op bepaalde manieren wordt beschermd. De bescherming zorgt ervoor dat het product niet wordt blootgesteld aan regen en sneeuw.
- Zorg ervoor dat de druktank niet onder druk staat wanneer het product op transport gaat.
- Gebruik het aandrijfsysteem alleen voor transport als alle andere functies uitgeschakeld zijn.

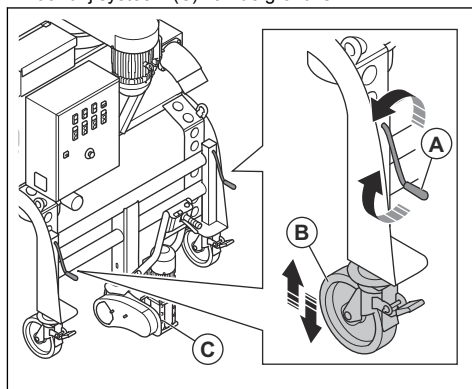
### Het aandrijfsysteem inschakelen



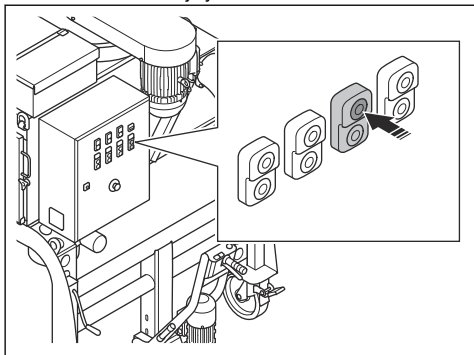
**WAARSCHUWING:** Houd uw handen uit de buurt van draaiende onderdelen. Wees zeer voorzichtig als u de snelontgrendelingspin bevestigt.

Monteer de snelontgrendelingspin om het aandrijfsysteem in te schakelen. De snelontgrendelingspin bevindt zich naast het aandrijfsysteem.

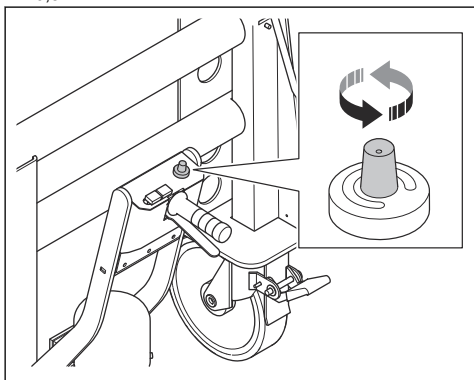
1. Draai de hoogte-afstelhendels (A) om de zwenkwielen (B) omlaag te brengen tot het aandrijfsysteem (C) van de grond is.



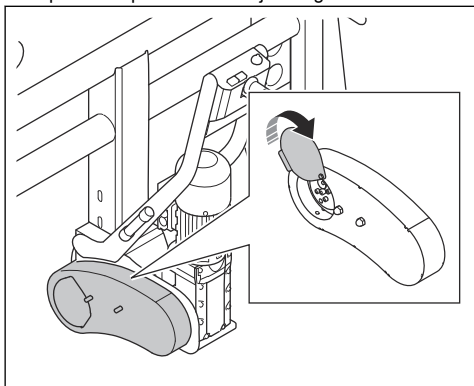
2. Voorzie het aandrijfsysteem van stroom.



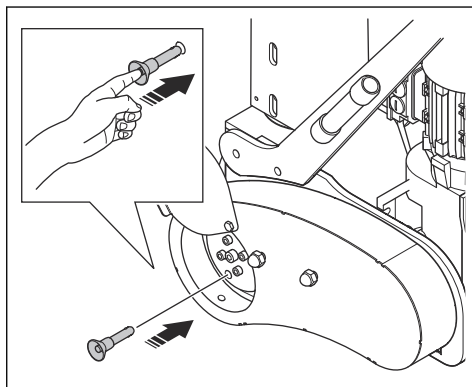
3. Zet de rijsnelheid op de laagst mogelijke stand, ca. 0,5.



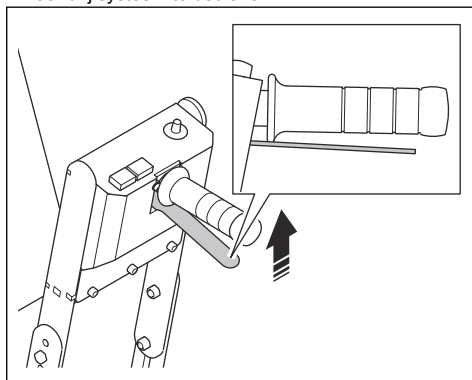
4. Open de kap van de aandrijfketting.



5. Monteer de snelontgrendelingspin. Duw de snelontgrendelingspin in met een vinger en houd deze vast.

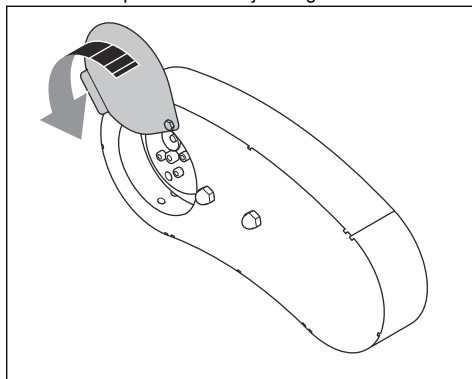


6. Gebruik uw andere hand om de hendel van het aandrijfsysteem te bedienen.



De snelontgrendelingspin wordt in positie vergrendeld als het aandrijfsysteem is ingeschakeld.

7. Sluit de kap van de aandrijfketting.



- Draai de hoogte-afstelhendels om de zwenkwielen omhoog te brengen tot het aandrijfsysteem op de grond staat.
- Het aandrijfsysteem uitschakelen, zie *Het aandrijfsysteem uitschakelen op pagina 109*.

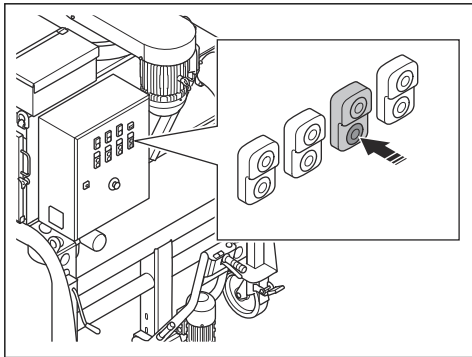
## Het aandrijfsysteem uitschakelen



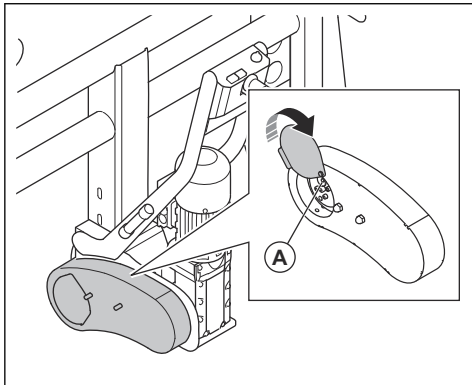
**OPGELET:** Schakel het aandrijfsysteem alleen uit als het product op een vlakke ondergrond is geparkeerd.

Als het nodig is om het product met de hand te verplaatsen terwijl de motor uitgeschakeld is, moet het aandrijfsysteem worden uitgeschakeld.

- Parkeer het product op een vlakke ondergrond en maak het aandrijfsysteem stroomloos.

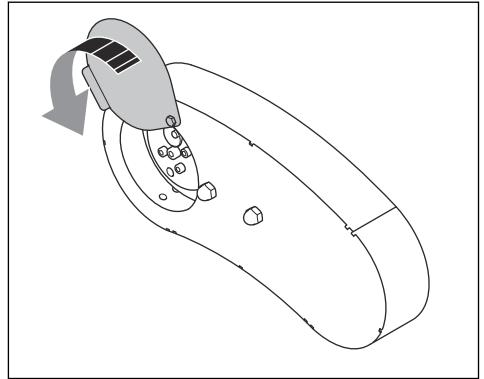


- Ontkoppel de voeding.
- Open de kap van de aandrijfketting.

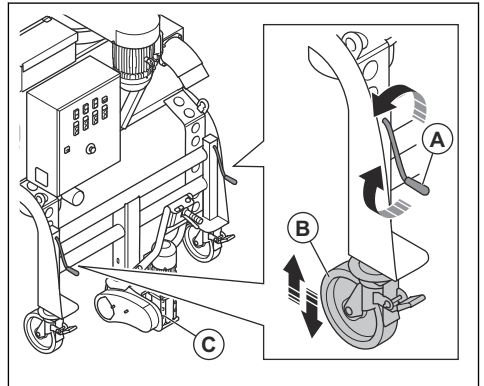


- Trek de snelontgrendelingspin (A) eruit.
- Zet de snelontgrendelingspin in de opslagstand.

- Sluit de kap van de aandrijfketting.



- Draai de hoogte-afstelhendels (A) om de zwenkwielen (B) omlaag te brengen tot het aandrijfsysteem (C) van de grond is.



## Het product verplaatsen met het aandrijfsysteem



**WAARSCHUWING:** Het product is zwaar en er bestaat gevaar voor letsel als het product naar beneden valt. Wees voorzichtig wanneer u het product verplaatst.



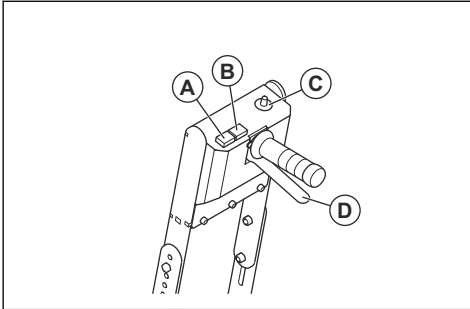
**WAARSCHUWING:** Beweeg het product niet tijdens het bedrijf.



**WAARSCHUWING:** Gebruik beschermende laarzen met stalen neuzen en antislipzolen.

- Zorg ervoor dat de pallet en de BigBag verwijderd zijn.

- Schakel het aandrijfsysteem in. Zie *Het aandrijfsysteem inschakelen op pagina 107*.
- Controleer of de parkeerrem is uitgeschakeld. Zie *De parkeerrem in- en uitschakelen op pagina 96*.
- Het bewegingstoerental wordt ingesteld of afgesteld met de toerentalregelknop (C).



- Houd de hendel van het aandrijfsysteem (D) ingedrukt om het product achterwaarts te bewegen.
- Houd de overdriveknop (A) ingedrukt om te bewegen met maximaal toerental.
- Houd de voorwaartsknop (B) ingedrukt om het product voorwaarts te bewegen.

## Het product een hellingbaan op en af laten gaan



**WAARSCHUWING:** Wees zeer voorzichtig wanneer u het product een hellingbaan op en af laat gaan. Het product is zwaar en er bestaat gevaar voor letsel als het product te valt of te snel beweegt.



**WAARSCHUWING:** Gebruik altijd een lier voor steile hellingbanen. Loop nooit onder het product door en blijf er niet onder of in de buurt staan.

- Als u het product van een hellingbaan af wilt laten rijden, rijd het product dan langzaam vooruit.
- Als u het product een hellingbaan op wilt laten rijden, rijd het product dan langzaam achteruit.
- Draai het product nooit meer dan 45° naar links of rechts op een hellingbaan.

## Het product optillen



**WAARSCHUWING:** Zorg ervoor dat de hijsapparatuur de juiste specificaties heeft om het product veilig op te tillen. Het typeplaatje op het product geeft het gewicht van het product aan.

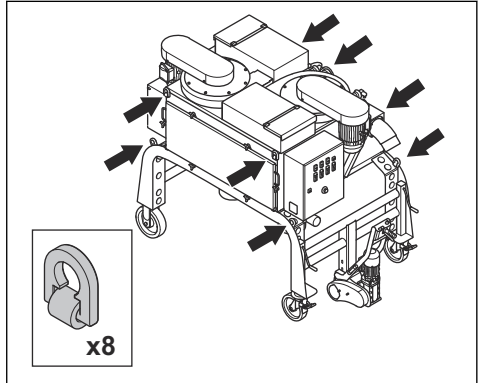


**WAARSCHUWING:** Loop nooit onder een opgeheven product door en blijf er niet onder of in de buurt staan. Houd omstanders uit de buurt van het werkgebied.



**WAARSCHUWING:** Hef een beschadigd product niet. Controleer of de hijsogen correct zijn aangebracht en niet beschadigd zijn.

- Verwijder de BigBag uit het product.
- Steek banden door acht hijsogen en gebruik hefuitrusting om het product omhoog te heffen.



- Hef het product langzaam omhoog.

## Het product aan een transportvoertuig bevestigen

Gebruik de hijsogen om het product aan het transportvoertuig te bevestigen.

- Bevestig de spanbanden in de hijsogen.
- Bevestig de sjobanden aan het transportvoertuig en haal de sjobanden aan.

## Opslag



**OPGELET:** Sla het product niet buiten op. Bewaar dit product altijd binnen.

- Bewaar het product in een droge en vorstvrije ruimte.
- Reinig het product en voer een volledige onderhoudsbeurt uit voordat u het product opslaat.
- Bewaar het product in een afgesloten ruimte om toegang door kinderen of onbevoegde personen te verhinderen.
- Verwijder het stof van de stofopvang.

## Het product afvoeren

- Neem de plaatselijk geldende wet- en regelgeving voor recycling in acht.
- Wanneer het product niet langer wordt gebruikt, stuur het dan naar een Husqvarna-dealer of voer het af via een recyclingslocatie.

## Technische gegevens

	DC 2-48	DC 2-48
Nominaal vermogen, W	18370	18740
Nominale spanning, V	400	480
Nominale frequentie, Hz	50	60
Nominale stroom, A	32	30
Kabellengte, m/ft.	25/82	25/82
Type voedingskabel	4×6mm <sup>2</sup>	4×10AWG
Max. luchtstroom, m <sup>3</sup> /u	4400	4400
Maximale onderdruk, mbar	64	64
Max. reinigingsvermogen, graden/%	10/18	10/18
Gewicht, kg/lb	1107/2441	1107/2441
Bedrijfstemperatuur °C/°F	-10-45/14-113	-10-45/14-113
Diameter stofslangaansluiting, mm/inch.	2×150/2×6	2×150/2×6

**Let op:** Als voor uw product een elektrische specificatie vereist is die niet in de tabel staat, moet u

contact opnemen met een Husqvarna-servicewerkplaats voor meer informatie.

### Geluidsemissies

Geluidsdrukniveau bij het oor van de gebruiker, LP dB (A) <sup>10</sup>	85
Geluidsvermogensniveau, gemeten LWA dB (A) <sup>11</sup>	101

### Verklaring inzake geluid- en trillingsemissies

Deze aangegeven waarden zijn verkregen door middel van typeonderzoek in een laboratorium in overeenstemming met de genoemde richtlijn of normen en zijn geschikt voor vergelijking met aangegeven waarden van andere producten die volgens dezelfde richtlijn of normen zijn getest. Deze aangegeven

waarden zijn niet geschikt voor gebruik ten behoeve van risicoanalyses. Waarden die worden gemeten op afzonderlijke werkplekken, kunnen hoger zijn. De werkelijke blootstellingswaarden en het risico op letsel dat een individuele gebruiker ondervindt, zijn uniek en zijn afhankelijk van de manier waarop de gebruiker werkt, het materiaal waarvoor het product gebruikt wordt, de blootstellingstijd en de fysieke toestand van de gebruiker en de toestand van het product.

<sup>10</sup> Geluidsdrukniveau bepaald volgens EN ISO 11202. Gemeten op betonoppervlak. Onzekerheidsmarge Kpa 2,5 dB.

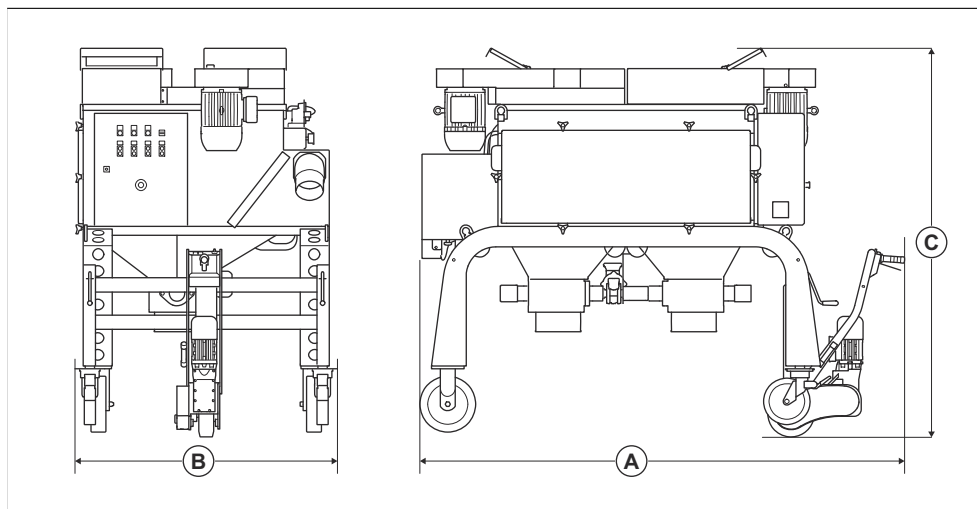
<sup>11</sup> Geluidsvermogensniveau volgens EN ISO 3747. Gemeten op betonoppervlak. Onzekerheidsmarge Kwa 2,5 dB.



## Verlengkabels

Kabellengte	Dwarsdoorsnede			
	≤ 16 A	≤ 32 A	≤ 63 A	≤ 125 A
Berekend bij een verzekering GG <sup>12</sup> :	16 amp	32 amp	63 amp	125 amp
> 20m	1,5 mm <sup>2</sup>	2,5 mm <sup>2</sup>	10 mm <sup>2</sup>	25 mm <sup>2</sup>
20m > 50m	2,5 mm <sup>2</sup>	4 mm <sup>2</sup>	10 mm <sup>2</sup>	25 mm <sup>2</sup>
50m > 75m	4 mm <sup>2</sup>	6 mm <sup>2</sup>	16 mm <sup>2</sup>	35 mm <sup>2</sup>

## Productafmetingen



<b>A</b>	Lengte, mm/inch	2293/90
<b>B</b>	Breedte, mm/inch	1410/56
<b>C</b>	Hoogte, mm/inch	1956/77

<sup>12</sup> De dwarsdoorsnedes moeten opnieuw worden berekend als een ander type verzekering of verzekering met andere afmetingen dan gegeven wordt gebruikt.

---

## Accessoires

---

<b>Verkrijgbaar accessoire</b>	<b>Artikelnummer</b>
Primaire-filterpatroon M-klasse	533969201
BigBag 385 l	533993301

---

# Verklaring van overeenstemming

---

## EU-verklaring van overeenstemming

Wij, Husqvarna AB, SE-561 82 Huskvarna,  
Zweden, tel: +46- 36-146500, verklaren onder onze  
alleenverantwoordelijkheid dat het product:

Beschrijving	Stofopvanger
Merk	Husqvarna
Type/model	DC 2-48
Identificatie	Serienummers vanaf 2023 en verder

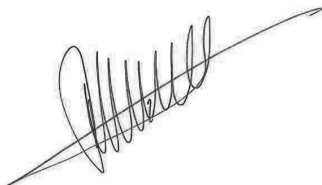
volledig voldoet aan de volgende EU-richtlijnen en  
-regelgeving:

Richtlijn/Verordening	Beschrijving
2006/42/EG	"betreffende machines"
2014/30/EU	"betreffende elektromagnetische compatibiliteit"

en dat de volgende normen en/of technische  
specificaties zijn toegepast:

EN ISO 12100:2010, EN 60204-1:2006

Partille, 2023-05-01



René van der Grint

Director CS&F INFRA, Product Category Concrete  
Surfaces & Floors

Husqvarna AB, Construction-divisie

Verantwoordelijk voor technische documentatie





FR

Cet appareil,  
ses cordons,  
et batterie  
se recyclent

À DÉPOSER  
EN MAGASIN



OU

À DÉPOSER  
EN DÉCHÈTERIE



Points de collecte sur [www.quefairedemesdechets.fr](http://www.quefairedemesdechets.fr)  
Privilégiez la réparation ou le don de votre appareil !

# Husqvarna<sup>®</sup>

[www.husqvarnaconstruction.com](http://www.husqvarnaconstruction.com)

Original instructions  
Originalanweisungen  
Instructions d'origine  
Originele instructies

1143444-20



FR



2023-07-05