

IMPORTANT
Read Before Using

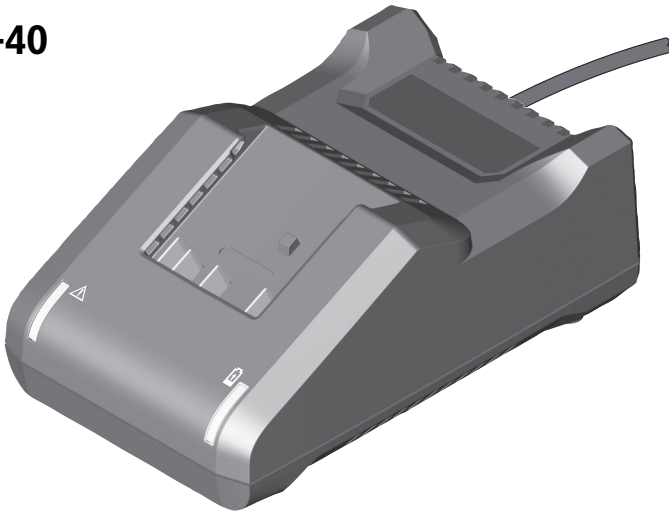
IMPORTANT
Lire avant usage

IMPORTANTE
Leer antes de usar



Operating / Safety Instructions
Consignes d'utilisation/de sécurité
Instrucciones de funcionamiento y seguridad

GAL18V-40



 **Husqvarna**[®]

Call Toll Free for Consumer Information & Service Locations

Pour obtenir des informations et les adresses de nos centres de service après-vente, appelez ce numéro gratuit

Llame gratis para obtener información para el consumidor y ubicaciones de servicio

+46 36 146 500

www.husqvarnacp.com





For English Version
See page 2

Version française
Voir page 9

Versión en español
Ver la página 17

Safety Symbols

The definitions below describe the level of severity for each signal word. Please read the manual and pay attention to these symbols.

	This is the safety alert symbol. It is used to alert you to potential personal injury hazards. Obey all safety messages that follow this symbol to avoid possible injury or death.
	DANGER indicates a hazardous situation which, if not avoided, will result in death or serious injury.
	WARNING indicates a hazardous situation which, if not avoided, could result in death or serious injury.
	CAUTION indicates a hazardous situation which, if not avoided, could result in minor or moderate injury.

WARNING Read all instructions. Failure to follow all instructions listed below, may result in electric shock, fire and/or serious personal injury.

IMPORTANT SAFETY AND OPERATING INSTRUCTIONS
SAVE THESE INSTRUCTIONS

Charger Safety Rules

- 1. SAVE THESE INSTRUCTIONS – This manual contains important safety and operating instructions for Husqvarna battery charger model GAL 18V-40D** do not substitute any other charger.
- 2. Before using battery charger, read all instructions and warning markings on (1) battery charger, (2) battery pack, and (3) product using battery.**
- 3. To reduce the risk of injury, charge only Husqvarna rechargeable batteries listed on page 5.** Other types of batteries may burst causing personal injury and damage.
- 4. Charge battery pack in temperatures above +32 degrees F (0 degrees C) and below +113 degrees F (45 degrees C). Store tool and battery pack in locations where temperatures will not exceed 120 degrees F (49 degrees C).** This is important to prevent serious damage to the battery cells.
- 5. Do not recharge battery in damp or wet environment. Do not expose charger to rain or snow.** Water entering battery charger may result in electric shock or fire.
- 6. Never submerge battery pack, tool or charger in fluid of any kind or allow fluid to enter them.** Corrosive or conductive fluid (such as seawater or industrial chemical or bleach containing products, etc.) can cause short circuit which may result in fire, personal injury and property damage.
- 7. Battery leakage may occur under extreme usage or temperature conditions. Avoid contact with skin and eyes.** The battery liquid is caustic and could cause chemical burns to tissues. If liquid comes in contact with skin, wash quickly with soap and water. If the liquid contacts your eyes, flush them with water for a minimum of 10 minutes and seek medical attention.
- 8. Place charger on flat nonflammable surfaces and away from flammable materials when recharging battery pack.** Carpeting and other heat insulating surfaces block proper air circulation which may cause overheating of the charger and battery pack. If smoke or melting of the charger or battery pack is observed, unplug the charger immediately and do not use the battery pack or charger. Contact customer service immediately.
- 9. Make sure cord is located so that it will not be stepped on, tripped over, or**

otherwise subjected to damage or stress. Damaged plug and cord may result in electric shock or fire.

10. **Disconnect the charger by pulling the plug rather than the cord. Do not operate charger with damaged cord or plug; have them replaced immediately.** Damaged plug or cord may result in electric shock or fire.
11. **Do not insert battery pack in charger if battery pack case is cracked.** Using damaged battery pack may result in electric shock or fire.
12. **Do not disassemble charger or operate the charger if it has received a sharp blow, been dropped or otherwise damaged in anyway.** Incorrect reassembly or damage may result in electric shock or fire.
13. **Before each use, check the battery charger, cable, plug and battery pack. Do not use if damage is detected. Never open the battery charger or battery pack yourself, take it to a Husqvarna Factory Service Center, or qualified serviceman**

only using original replacement parts. Incorrect reassembly or using damaged product may result in electric shock or fire.

14. **Do not use attachments not recommended or sold by Husqvarna.** Using attachments not recommended may result in electric shock or fire.
15. **Do not store battery pack in charger.** Battery pack stored in charger over a long period of time could lead to battery pack damage and fire.
16. **Unplug charger from outlet before storage, attempting any maintenance or cleaning.** Such preventive safety measures reduce the risk of electric shock or fire.
17. **Keep the battery charger clean by wiping the charger housing with a damp cloth.** Contamination may result in electric shock or fire.
18. **Replace battery pack if a substantial drop in operating time per charge is observed.** Battery pack may be nearing the end of its life.

▶ Battery Care

⚠ WARNING When batteries are not in tool or charger, keep them away from metal objects. For example, to protect terminals from shorting **DO NOT** place batteries in a tool box or pocket with nails, screws, keys, etc. Fire or injury may result.
DO NOT PUT BATTERIES INTO FIRE or expose to high heat. They may explode.

▶ Battery Disposal

⚠ WARNING Do not attempt to disassemble the battery or remove any component projecting from the battery terminals. Fire or injury may result. Prior to disposal, protect exposed terminals with heavy insulating tape to prevent shorting.

▼ LITHIUM-ION BATTERIES

If equipped with a lithium-ion battery, the battery must be collected, recycled or disposed of in an environmentally sound manner.



“The EPA certified RBRC Battery Recycling Seal on the lithium-ion (Li-ion) battery indicates Husqvarna Corporation is voluntarily participating in

an industry program to collect and recycle these batteries at the end of their useful life, when taken out of service in the United States or Canada. The RBRC program provides a convenient alternative to placing used Li-ion batteries into the trash or the municipal waste stream, which may be illegal in your area.

Please call 1-800-8-BATTERY for information on Li-ion battery recycling and disposal bans/restrictions in your area, or return your batteries to a Husqvarna Service Center for recycling. Husqvarna Corporation’s involvement in this program is part of our commitment to preserving our environment and conserving our natural resources.”

▶ Extension Cords

⚠ WARNING AN EXTENSION CORD SHOULD NOT BE USED UNLESS ABSOLUTELY NECESSARY. Use of improper extension cord could result in risk

of fire and electrical shock. If an extension cord is used, make sure:

- a. The pins on plug of extension cord are the same number, size, and shape as those of plug on charger.
- b. The extension cord is properly wired and in good electrical condition.
- c. The wire size is large enough for AC ampere rating of charger as specified below:

Length of Cord, Feet	25	50	100	150
AWG Size of Cord	18	16	16	14

- d. An extension cord is a temporary solution. Move the charger to a standard receptacle as soon as the job has been completed.

► Important Charging Notes

1. The charger was designed to fast charge the battery only when the battery temperature is between 32°F (0°C) and 113°F (45°C). If the battery pack is too hot or too cold, the charger will not begin charging the battery. (This may happen if the battery pack is hot from heavy use). Once the battery temperature returns to its safe charging temperature, between 32°F (0°C) and 113°F (45°C), the charger will automatically begin charging.
2. A substantial drop in operating time per charge may mean that the battery pack is nearing the end of its life and should be replaced.
3. Remember to unplug charger during storage period.
4. If battery does not charge properly:
 - a. Check for voltage at outlet by plugging in some other electrical device.
 - b. Check to see if outlet is connected to a light switch which turns power "off" when lights are turned off.
 - c. Check battery pack terminals and charger connectors for dirt. Clean

with cotton swab and alcohol if necessary.

- d. If you still do not get proper charging, take or send tool, battery pack and charger to your local Husqvarna Service Center. See "Tools, Electric" in the Yellow Pages for names and addresses.

Note: Use of chargers or battery packs not sold by Husqvarna will void the warranty.

► FCC Caution:

The manufacturer is not responsible for radio interference caused by unauthorized modifications to this equipment. Such modifications could void the user's authority to operate the equipment.

This device complies with Part 15 of the FCC Rules. Operation is subject to the following two conditions:

- 1) This device may not cause harmful interference, and
- 2) This device must accept any interference received, including interference that may cause undesired operation.

NOTE! This equipment has been tested and found to comply with the limits for a Class B digital devices, pursuant to Part 15 of the FCC rules. These limits are designed to provide reasonable protection against harmful interference in a residential installation. This equipment generates uses and can radiate radio frequency energy and, if not installed and used in accordance with the instructions, may cause harmful interference to radio communications. However, there is no guarantee that interference will not occur in a particular installation. If this equipment does cause harmful interference to radio or television reception, which can be determined by turning the equipment off and on, the user is encouraged to try to correct the interference by one or more of the following measures:

- Reorient or relocate the receiving antenna.
- Increase the separation between the equipment and receiver.
- Connect the equipment into an outlet on a circuit different from that to which the receiver is connected.

- Consult the dealer or an experienced radio/TV technician for help.

► Electronic Cell Protection (ECP)

The lithium ion battery is protected against deep discharging by the “Electronic Cell Protection (ECP)”. When the battery is

empty, the tool is switched off by means of a protective circuit.

The battery is supplied partially charged. Completely charge the battery before using your cordless power tool for the first time. The lithium ion battery can be charged at any time, without reducing its service life. Interrupting the charging procedure does not damage the battery.

SAVE THESE INSTRUCTIONS

Functional Description and Specifications

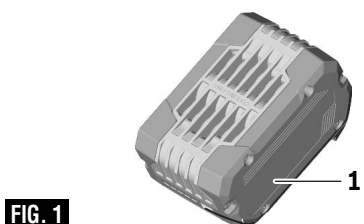
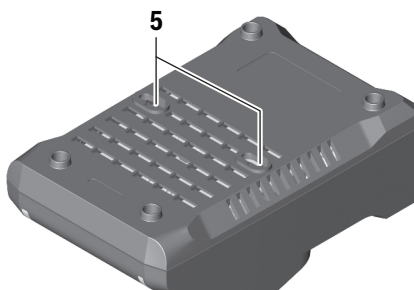
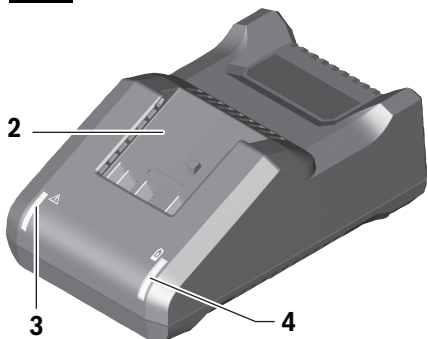


FIG. 1



- 1 Battery
- 2 Charger
- 3 Error indicator (red light)
- 4 Charging indicator (green light)
- 5 Wall-mounting slots

Charger input voltage	120 V ~ 60 Hz
Battery Charging current	4.0A

Husqvarna batteries	Approximate charging time to capacity	
	80%	100%
18V40 Ah	48 min	65 min
18V80 Ah	113 min	124 min

⚠ WARNING This charger will only charge the following batteries:

-18V40

-18V80

For most up to date battery compatibility, please refer to www.husqvarnacp.com

Charging Battery Pack

Plug charger cord into your standard power outlet.

With no battery pack inserted, the charger's green indicator light will go ON. This indicates the charger is receiving power and the charger is ready for operation.



When you insert the battery pack **1** into the charger. The charger's green indicator light **4** will begin to "BLINK". This

indicates that the battery is receiving a fast charge.

Once approximately 80% battery capacity has been reached, the blinking of green light will slow down, indicating that fast charging is now complete. If battery remains in charger, the charging process is completed in Long Life charging mode.

The purpose of the rapidly "BLINKING" green light is to indicate that the battery pack is fast-charging. It does not indicate the exact point of full charge. The light will stop blinking when battery is fully charged.



Continuous green battery charger light **4** indicates that the battery is fully charged.

However, the battery pack may

be used at any time, even if the green light is still blinking.



A steady red indicator light **3** means that the battery pack is outside the proper temperature ranges (too hot or too cold) so the charger will not begin the charging

process. Charging (Fast or long Life Charging Mode) is only possible when the temperature range of the battery pack is between 32°F (0°C) and 113°F (45°C).

As soon as the battery pack reaches the correct temperature range, the battery charger will automatically switch to fast charging.



If the red indicator light **3** is "BLINKING", the battery pack cannot accept a charge. This may be due to the contacts on

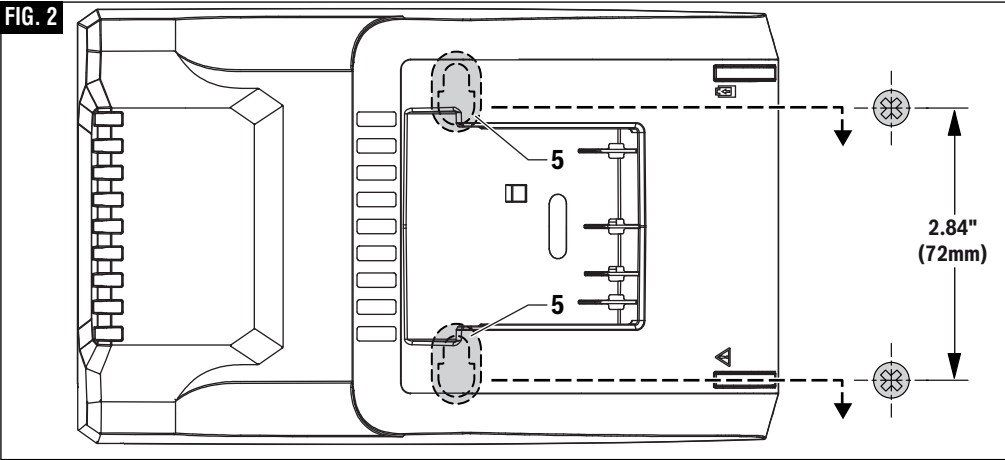
the charger or battery pack is contaminated, the battery pack itself may be defective, or battery may be wrong type for this charger.

- Confirm battery compatibility with charger by checking list of genuine Husqvarna battery packs outlined on page 5 of this manual.
- If applicable, insert another compatible battery pack into charger to verify charger is working properly.
- Clean the contacts of the charger or battery pack (e. g. by using a cotton swab and alcohol on battery and charger terminals or inserting and removing the battery several times) or replace the battery pack, as required.

When the battery pack is fully charged, unplug the charger (unless you're charging another battery pack) and slip the battery pack back into the tool.

Wall Mounting

FIG. 2



⚠ WARNING Read instructions of the drill driver and the mounting hardware prior to drilling hole.

Note: The consumer is responsible for damage or injury caused by incorrect installation.

Use mounting hardware which is appropriate for the wall type and suitable for the weight of charger and heaviest battery pack. If the charger is installed without the correct hardware, the product may be unstable and cause property damage or personal injury.

Do not wall mount the charger where the weight of the charger and battery cannot be supported. If the strength of the wall mount location is not strong enough, the charger can fall off and cause an injury. **Note:** It is the consumer's responsibility to ensure that the wall can properly support the total weight.

Check to be sure that there are no hidden live wires, water pipe, or gas pipe behind the mounting area. Cutting or drilling into any of these may cause serious injury or death.

⚠ CAUTION Do not mount to any surface other than a vertical wall. Mounting of the charger is designed for vertical surfaces only. Improper installation may cause property damage or personal injury.

The charger can be mounted to a wall using wall mounting slots 5 (Fig. 2).

- Locate mounting area on the wall.
- Mark two points on a vertical line 2.84" (72mm) apart.
- Select the appropriate screws and anchors (if necessary) for the material of the wall. (Mounting hardware not included.)
- Drill into wall with appropriate drill bit. If anchors are to be used, follow anchor hardware manufacturer's instructions.
- Screw in two round-head screws (not included) with a diameter of 0.2" (5mm) to maximum 0.25" (6.5mm) into wall or anchors. Leave approximately 0.13" (3.3 mm) space between bottom of screw head and wall.
- Position the charger screw slots over the mounting screws. Push charger towards the wall and slide it down to secure charger to mounting screws.

Note: Make sure the charger is securely mounted and that it is tight against the mounting surface. Adjust screw exposure as necessary to ensure the charger is flat against the wall.

Warranty policy

All warranty claims will be determined after inspection at a designated facility. A Returned Goods Authorization is required for all warranty claims. Contact Husqvarna Customer Service Department at 800-845-1312 for an RGA. The customer must prepay the freight and absorb any labor expense required to return or replace a product submitted for warranty consideration. Husqvarna will pay return shipping expenses for repaired or approved replacement products.

EQUIPMENT

Equipment manufactured by Husqvarna is warranted to be free from manufacturing defects in normal service for a period of two (2) years from date of purchase by the original consumer purchaser. Component manufacturers offer separate warranty periods. Call Technical Services at 800-288-5040 for complete information.

Our obligation under this warranty is expressly limited to the replacement or repair at Husqvarna Construction Products North America, Olathe, Kansas 66061, or at a service facility designated by us, of such part or parts as inspection shall disclose to have been defective.

This warranty does not apply to defects caused by damage, unreasonable use, faulty repairs made by others than an approved Husqvarna servicing dealer, or defects caused by failure to provide reasonable maintenance, while in the possession of the consumer. Further, the warranty is void if the product, or any of its components, are altered or modified by the consumer purchaser, or if the product is used in an inappropriate manner or with tools not recommended by the manufacturer.

Exceptions: Drill mo





months, Gyro systems - 1 year, CD40 system - 1 year, DS160 C - 1 year, Smart box - 1 year, CS2515 - 1 year, PP455 E - 1 year, PP345 E - 1 year, HP40 - 1 year.

Wear items: Filters, spark plugs, bearings*, belts, wheels** and wear pads.

*Except IntelliSeal™ system. **Except delamination.

Symboles relatifs à la sécurité

Les définitions ci-dessous décrivent le niveau de gravité pour chaque terme signalant un danger. Veuillez lire le mode d'emploi et lire la signification de ces symboles.

	<p>C'est le symbole d'alerte relatif à la sécurité. Il est utilisé pour vous avertir de l'existence possible d'un danger de lésion corporelle. Obéissez à tous les messages relatifs à la sécurité qui suivent ce symbole pour éviter tout risque de blessure ou même de mort.</p>
	<p>DANGER indique une situation dangereuse qui, si elle n'est pas évitée, causera la mort d'une personne ou une blessure grave.</p>
	<p>AVERTISSEMENT indique une situation dangereuse qui, si elle n'est pas évitée, pourrait causer la mort d'une personne ou une blessure grave.</p>
	<p>MISE EN GARDE indique une situation dangereuse qui, si elle n'est pas évitée, causera une blessure légère ou modérée.</p>

AVERTISSEMENT Vous devez lire toutes les instructions. Le non-respect, même partiel, des instructions ci-après entraîne un risque de choc électrique, d'incendie et/ou de blessures graves.

IMPORTANTES CONSIGNES DE SÉCURITÉ ET DE FONCTIONNEMENT CONSERVEZ CES INSTRUCTIONS

Consignes de sécurité applicables aux chargeurs

- CONSERVER CES INSTRUCTIONS.** Ce mode d'emploi contient des instructions d'utilisation et des consignes de sécurité importantes pour le chargeur de piles Husqvarna modèle GAL18V-40. Ne lui substituez aucun autre chargeur.
- Avant d'utiliser le chargeur de piles, lisez toutes les instructions et tous les avertissements figurant sur (1) le chargeur de piles, (2) le bloc-piles et (3) le produit utilisant les piles.**
- Pour réduire le nombre de blessures, chargez uniquement des piles rechargeables Husqvarna indiquées à la page 13.** D'autres types de piles risqueraient d'éclater et de causer ainsi des blessures et des dommages.
- Chargez le bloc-piles à des températures supérieures à +32 degrés F (0 degré C) et inférieures à +113 degrés F (45 degrés C). Rangez l'outil et le bloc-piles à des endroits dont la température ne dépassera pas 120 degrés F (49 degrés C).** Ceci est important pour ne pas risquer de causer des dommages graves aux cellules des piles.
- Ne rechargez pas les piles dans un environnement humide ou mouillé. N'exposez pas le chargeur à la pluie ou à la neige.** La pénétration d'eau dans le chargeur de piles risquerait de causer un choc électrique ou un incendie.
- Ne submergez jamais le bloc-piles, l'outil ou le chargeur dans un liquide de quelque sorte que ce soit, et ne permettez pas l'entrée de liquide à l'intérieur.** Les liquides corrosifs ou conducteurs (tels que l'eau de mer, les produits chimiques industriels ou les produits contenant de l'eau de Javel, etc.) peuvent provoquer des courts-circuits qui peuvent causer un incendie, des dommages corporels et des dommages matériels.
- Il peut y avoir une fuite de pile dans des conditions extrêmes d'utilisation ou de température. Évitez tout contact avec la peau et les yeux.** Le liquide de pile est caustique et pourrait causer des brûlures chimiques aux tissus. Si le liquide vient en

contact avec la peau, lavez rapidement à l'eau savonneuse. Si le liquide vient en contact avec les yeux, rincez-les à l'eau pendant au moins 10 minutes et sollicitez des soins médicaux.

- 8. Placez le chargeur sur des surfaces plates et non inflammables, et à distance de tous matériaux inflammables, lorsque vous rechargez le bloc-piles.** De la moquette et d'autres surfaces thermiquement isolantes bloquent une circulation appropriée de l'air, ce qui pourrait causer une surchauffe du chargeur et du bloc-piles. Si vous observez de la fumée ou si vous voyez que le chargeur ou le bloc-piles commence à fondre, débranchez immédiatement le chargeur et ne vous servez plus du chargeur ou du bloc-piles. Contactez immédiatement le service à la clientèle.
- 9. Assurez-vous que le cordon est placé à un endroit où il ne sera pas piétiné, ou il ne fera trébucher personne et où il ne sera pas exposé par ailleurs à des dommages ou à des contraintes.** Une fiche et un cordon endommagés pourraient causer un choc électrique ou un incendie.
- 10. Débranchez le chargeur en tirant sur la fiche et non sur le cordon. N'utilisez pas un chargeur dont le cordon ou la fiche est endommagé ; faites-les remplacer immédiatement.** Une fiche ou un cordon endommagé pourrait causer un choc électrique ou un incendie.
- 11. N'insérez pas de bloc-piles dans le chargeur si le boîtier du bloc-piles est fissuré.** L'utilisation d'un bloc-piles endommagé pourrait causer un choc électrique ou un incendie.
- 12. Ne démontez pas le chargeur et ne l'utilisez pas s'il a reçu un impact violent, s'il est tombé ou s'il a été endommagé par ailleurs d'une quelconque autre**

façon. Un réassemblage incorrect ou un endommagement pourrait causer un choc électrique ou un incendie.

- 13. Inspectez le chargeur de piles, le câble, la fiche et le bloc-piles avant chaque emploi. Ne pas utiliser si un dommage est détecté. N'ouvrez jamais le chargeur de piles ou le bloc-piles vous-même ; apportez-le dans un centre de service usine Husqvarna ou chez un réparateur qualifié n'utilisant que des pièces de rechange d'origine.** Un remontage incorrect ou l'utilisation d'un produit endommagé pourrait causer un choc électrique ou un incendie.
- 14. N'utilisez pas d'accessoire qui n'est pas recommandé ou vendu par Husqvarna.** L'utilisation d'accessoires non recommandés pourrait causer un choc électrique ou un incendie.
- 15. Ne rangez pas le chargeur avec un bloc-piles à l'intérieur.** Le stockage d'un bloc-piles à l'intérieur d'un chargeur pendant une période prolongée pourrait endommager le bloc-piles et risquerait même de causer un incendie.
- 16. Débranchez le chargeur de la prise de courant avant de le ranger, d'effectuer une opération de maintenance ou de réparation, ou de le nettoyer.** De telles mesures préventives en matière de sécurité réduisent le risque de choc électrique ou d'incendie.
- 17. Gardez le chargeur de piles propre en essuyant le boîtier du chargeur avec un tissu humide.** Tout contamination pourrait causer un choc électrique ou un incendie.
- 18. Remplacez le bloc-piles si vous constatez une baisse substantielle de l'autonomie de fonctionnement après les recharges.** Cela signifie peut-être que le bloc-piles s'approche de la fin de sa vie utile..

► Entretien des piles

⚠ AVERTISSEMENT Lorsque les piles ne sont pas dans l'outil ou le chargeur, gardez-les à l'écart d'objets métalliques. Ainsi, pour éviter un court-circuitage des bornes, **NE**

PLACEZ PAS les piles dans la boîte à outils ou dans la poche avec des clous, des vis, des clés, etc. Ceci peut provoquer un incendie ou des blessures.

NE METTEZ PAS LES PILES AU FEU ET NE LES EXPOSEZ PAS À UNE CHALEUR ÉLEVÉE. Elles peuvent exploser.

► Mise au rebut des piles

⚠ AVERTISSEMENT Ne tentez pas de désassembler le bloc-piles ou d'enlever tout composant faisant saillie des bornes de piles, ce qui peut provoquer un incendie ou des blessures. Avant la mise au rebut, protégez les bornes exposées à l'aide d'un ruban isolant épais pour prévenir le court-circuitage.

▼ PILES LITHIUM-ION

Si le produit est équipé d'une pile lithium-ion, la pile doit être ramassée, recyclée ou mise au rebut d'une manière qui ne soit pas nocive pour l'environnement.



“Le sceau RBRC de recyclage des piles, homologué par l'EPA (Agence pour la protection de l'environnement des États-Unis), qui se trouve

sur les piles au lithium-ion (Li-ion) indique que Husqvarna Corporation participe volontairement à un programme industriel de ramassage et de recyclage de ces piles au terme de leur vie utile, pourvu qu'elles soient mises hors service aux États-Unis ou au Canada. Le programme du RBRC offre une alternative pratique à la mise des piles au Li-ion usées au rebut ou au ramassage d'ordures municipal, ce qui pourrait être interdit dans votre région.

Veillez appeler le 1-800-8-BATTERY pour obtenir de plus amples renseignements sur le recyclage des piles au Li-ion et sur les restrictions ou interdictions de mise au rebut qui s'appliquent à votre région ou renvoyez vos piles à un Centre de Service Husqvarna pour recyclage. La participation de Husqvarna Corporation à ce programme s'insère dans le contexte de notre engagement à préserver notre environnement et à conserver nos ressources naturelles.”

► Cordons de rallonge

⚠ AVERTISSEMENT UN CORDON DE RALLONGE NE DOIT ÊTRE UTILISÉ QUE S'IL EST ABSOLUMENT NÉCESSAIRE. L'utilisation d'un cordon de rallonge inapproprié peut créer un risque d'incendie et de chocs électriques. Si un cordon de rallonge doit être utilisé, assurez-vous que :

- a. la fiche du cordon de rallonge

possède des broches de nombre, dimensions et forme identiques à ceux de la fiche du chargeur ;

- b. le cordon de rallonge est bien câblé et en bon état électrique ;
- c. le fil est de calibre suffisant pour l'intensité nominale en c.a. du chargeur, comme indiqué ci-après ;

Longueur du fil, en pieds	25	50	100	150
Calibre AWG du fil	18	16	16	14

- d. un cordon de rallonge constitue une solution temporaire. Déplacez le chargeur à une prise standard dès que le travail est terminé.

► Remarques importantes concernant la charge

1. De même, le chargeur n'est destiné qu'à la charge rapide des bloc-piles dont la température se situe entre 0°C (32°F) et 45°C (113°F). Si le bloc-piles est trop chaud ou trop froid, le chargeur ne commencera pas à charger les piles. (Chose possible si le bloc-piles devient trop chaud à l'usage intensif). Une fois que la température des piles sera revenue dans la plage de températures de charge ne présentant pas de danger, à savoir entre 32° F (0° C) et 113° F (45° C), le chargeur commencera automatiquement à les charger.
2. Une diminution marquée de la réserve énergétique entre les charges peut signaler l'épuisement du bloc-piles et le besoin d'un remplacement.
3. N'oubliez pas de débrancher le chargeur durant la période de remisage.
4. Si le bloc-piles ne se charge pas normalement :
 - a. Vérifiez la présence de courant à la prise en y branchant un autre appareil électrique.
 - b. Vérifiez si la prise n'est pas raccordée conjointement à un interrupteur qui servirait à éteindre

les lumières.

c. Inspectez les bornes du bloc-piles et les connecteurs du chargeur pour vous assurer qu'ils ne sont pas sales. Nettoyez avec un coton-tige et de l'alcool si nécessaire.

d. Si vous n'arrivez toujours pas à obtenir la charge satisfaisante, confiez l'outil, le bloc-piles et le chargeur à votre centre d'entretien Husqvarna habituel. Voir les noms et adresses des centres d'entretien sous la rubrique « Outils électriques » dans les pages jaunes de l'annuaire de téléphone.

Remarque : L'utilisation de chargeurs ou de bloc-piles non vendus par Husqvarna annule la garantie.

► Mise en garde de la FCC :

Le fabricant n'est pas responsable des perturbations radioélectriques causées par des modifications non autorisées de ce matériel. De telles modifications pourraient annuler le droit de l'utilisateur de se servir de ce matériel.

Cet appareil est conforme à la Partie 15 des Règles de la FCC. Son exploitation est sujette au respect de deux conditions :

- 1) Cet appareil ne risque pas de causer des interférences nuisibles ; et
- 2) Cet appareil doit accepter toutes les interférences reçues, y compris les interférences qui peuvent causer un fonctionnement indésirable.

REMARQUE : ce matériel a été testé et il a été démontré qu'il respecte les limites fixées pour un appareil numérique de Classe B, conformément à la Partie 15 des Règles de la FCC. Ces limites sont conçues de manière à assurer une protection raisonnable contre les perturbations nuisibles dans une installation résidentielle. Ce matériel produit, utilise et

peut rayonner de l'énergie de fréquence radioélectrique et, s'il n'est pas installé et utilisé conformément aux instructions, il risque de causer des perturbations nuisibles aux communications radio. Cependant, il n'est pas possible de garantir qu'aucune perturbation ne résultera d'une installation particulière. Si ce matériel cause des perturbations radioélectriques nuisibles affectant la réception de la radio ou de la télévision – ce qui peut être déterminé en mettant ce matériel sous tension et hors tension – l'utilisateur devrait essayer de remédier à de telles perturbations en prenant une ou plusieurs des mesures suivantes :

- Changer l'orientation de l'antenne de réception ou la placer à un autre endroit.
- Augmenter la distance entre le matériel et le récepteur.
- Brancher le matériel dans une prise de courant faisant partie d'un circuit différent de celui auquel le récepteur est connecté.
- Consulter le revendeur ou un technicien radio/télévision expérimenté pour obtenir de l'aide.

► Système ECP (Electronic Cell Protection)

La pile lithium-ion est protégée contre les décharges profondes par un système ECP (Electronic Cell Protection). Lorsque la pile est vide, l'outil est mis automatiquement hors service au moyen d'un circuit de protection.

La pile est fournie partiellement chargée. Chargez complètement la pile avant d'utiliser votre tournevis sans fil pour la première fois. Chargez complètement les piles avant de vous servir de votre outil électrique sans fil pour la première fois. L'interruption de la procédure de charge n'endommage pas la pile.

CONSERVEZ CES INSTRUCTIONS

Description fonctionnelle et spécifications

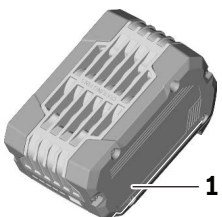
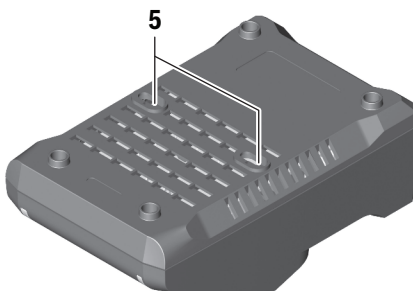
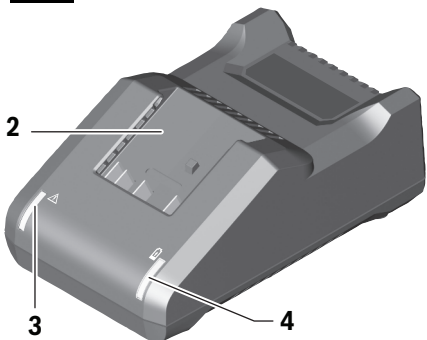


FIG. 1



- 1 Bloc-piles
- 2 Chargeur
- 3 Indicateur d'erreur (témoin rouge)
- 4 Indicateur de charge (témoin vert)
- 5 Fentes pour montage sur le mur

Tension d'entrée du chargeur	120 V ~ 60 Hz	
Courant de charge des piles	4.0A	
Piles Husqvarna	Durée de charge approximative jusqu'à capacité	
	80%	100%
18V40 Ah	48 min	65 min
18V80 Ah	113 min	124 min

⚠ AVERTISSEMENT Ce chargeur chargera uniquement les piles suivantes :

-18V40
-18V80

Pour les toutes dernières informations sur la compatibilité des piles, veuillez vous référer à www.husqvarnacp.com

Charge du bloc-piles

Branchez le cordon d'alimentation du chargeur dans votre prise de courant standard.

Si le bloc-piles **1** n'est pas inséré, le voyant lumineux vert du chargeur **4** s'allumera. Ceci indique que le chargeur reçoit alors une alimentation électrique et que le chargeur est prêt à fonctionner.



Lorsque vous insérez le bloc-piles dans le chargeur **4**. Le voyant lumineux vert du chargeur commencera à « CLIGNOTER ». Ceci indique que les piles sont en train de recevoir une charge rapide.

Après qu'une capacité de charge des piles d'environ 80 % aura été atteinte, le rythme de clignotement du voyant lumineux vert se ralentira, indiquant ainsi que la charge rapide est maintenant terminée. Si le bloc-piles reste dans le chargeur, le processus de charge est effectué dans le mode de charge « Long Life » (longue durée de vie).

La raison d'être du « CLIGNOTEMENT » rapide du voyant lumineux est pour indiquer que le bloc-piles est en mode de charge rapide. Ceci n'indique pas le point exact d'atteinte de la pleine charge. Le voyant cessera de clignoter quand les piles seront totalement chargées.



L'allumage continu du voyant lumineux vert du chargeur **4** de piles indique que les piles sont totalement chargées. Cependant,

le bloc-piles peut être utilisé à tout moment, même si le voyant lumineux vert clignote toujours.



Un voyant lumineux rouge **3** constamment éclairé signifie que le bloc-piles est en dehors de la plage de températures

appropriée (trop chaud ou trop froid); dans ce cas le chargeur ne commencera pas le processus de charge. Une charge (mode de charge rapide ou mode de charge pour une longue durée de vie) n'est possible que

quand la plage de température du bloc-piles est comprise entre 32° F (0° C) et 113° F (45° C).

Dès que le bloc-piles aura atteint la plage de température correcte, le chargeur de piles se mettra automatiquement en mode de charge rapide.



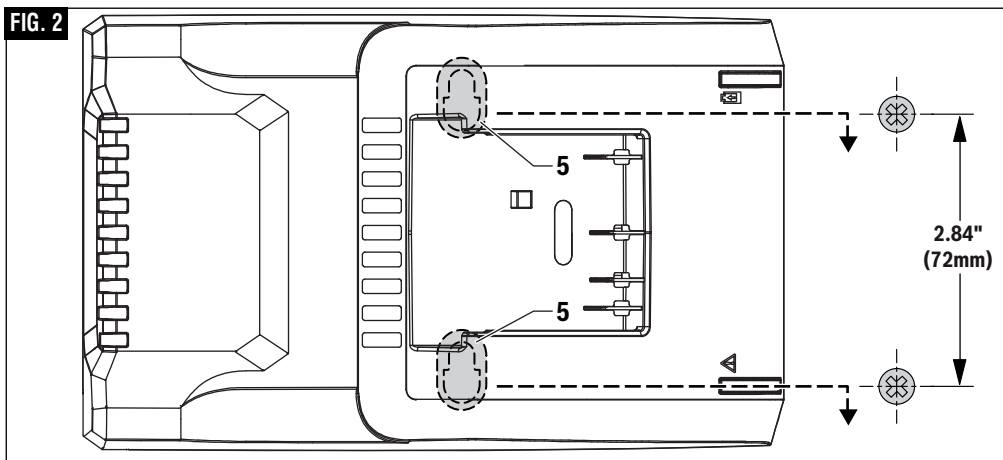
Si le voyant lumineux rouge **3** « CLIGNOTE », cela signifie que le bloc-piles ne peut pas accepter de charge. Ceci peut

être causé par le fait que les contacts sur le chargeur ou sur le bloc-piles sont contaminés, que le bloc-piles lui-même peut être défectueux ou que les piles utilisées ne sont pas appropriées pour ce chargeur.

- Vérifiez la compatibilité des piles avec le chargeur en consultant la liste des piles Husqvarna authentiques présentée à la page 13 de ce mode d'emploi.
- Le cas échéant, insérez un autre bloc-piles compatible dans le chargeur afin de confirmer que le chargeur fonctionne correctement.
- Nettoyez les contacts du chargeur ou du bloc-piles (p. ex., en utilisant un coton-tige et de l'alcool sur les piles ou en insérant et retirant les piles plusieurs fois de suite) ou remplacez le bloc-piles, suivant les besoins.

Lorsque le bloc-piles est totalement chargé, débranchez le chargeur (sauf si vous êtes en train de charger un autre bloc-piles) et glissez à nouveau le bloc-piles à l'intérieur de l'outil.

Montage sur le mur



⚠ AVERTISSEMENT Lisez les instructions pour la perceuse-visseuse et pour le matériel de montage avant de percer un trou.

Remarque : Le consommateur est responsable de tous dommages et blessures causés par une installation incorrecte.

Utilisez du matériel approprié pour le type de mur et pour le poids du chargeur et du bloc-piles le plus lourd. Si le chargeur est installé sans le matériel approprié, le produit peut être instable et causer des dommages matériels ou des blessures.

Ne montez pas le chargeur sur un mur ne pouvant pas supporter le poids du chargeur et des piles. Si le mur utilisé pour le montage du chargeur n'est pas assez fort pour le supporter, le chargeur risque de tomber et de causer une blessure. Remarque : Il incombe au consommateur de s'assurer que le mur peut supporter le poids total de façon appropriée.

Vérifiez pour vous assurer qu'il n'existe pas de fils sous tension cachés, de canalisations d'eau ou de tuyaux de gaz derrière la zone de montage. Le fait de couper ou de percer de tels objets pourrait causer des blessures graves, ou même la mort.

⚠ MISE EN GARDE Ne pas monter sur une surface autre qu'un mur vertical. Le chargeur est

conçu pour n'être monté que sur des surfaces verticales. Une installation incorrecte pourrait causer des dommages aux biens ou des blessures.

Le chargeur peut être monté sur un mur en utilisant les fentes prévues pour le montage sur un mur 5 (Fig. 2).

- Localisez la zone de montage sur le mur.
- Marquez deux points sur une ligne verticale à 72 mm / 2,84 po l'un de l'autre.
- Sélectionnez les vis et dispositifs d'ancrage appropriés (si nécessaire) pour le matériau dans lequel le mur est construit. (Matériel de fixation non inclus.)
- Percez dans le mur avec la mèche appropriée pour le perçage. Si des dispositifs d'ancrage doivent être utilisés, suivez les instructions du fabricant du matériel d'ancrage.
- Vissez deux vis à tête ronde (non fournies) d'un diamètre compris entre 5mm / 0,2 po et 6,5 mm / 0,25 po dans le mur ou les dispositifs d'ancrage. Laissez environ 3,3 mm / 0,13 po d'espace entre le bas de la tête de vis et le mur.
- Positionnez les fentes prévues pour les vis de fixation du chargeur au-dessus des vis de montage. Poussez le

chargeur vers le mur et faites-le glisser vers le bas pour assujettir le chargeur aux vis de montage.

Remarque : Assurez-vous que le chargeur est fermement installé et qu'il est bien à plat contre la surface de montage. Ajustez

l'exposition de la vis selon les besoins pour assurer que le chargeur est bien à plat contre le mur.

Politique de garantie

Toute réclamation au titre de la garantie sera résolue après inspection dans un établissement désigné. Une autorisation de retour de marchandise est nécessaire en cas de réclamation au titre de la garantie. Pour obtenir une autorisation de retour de marchandise, communiquer avec le service à la clientèle de Husqvarna au 800-845-1312. Le client doit prépayer le transport et assumer tous les frais de main-d'œuvre nécessaires au retour ou au remplacement d'un produit soumis à des fins de garantie. Husqvarna remboursera les frais de transport encourus pour les produits réparés ou les produits de remplacement homologués.

ÉQUIPEMENT

L'équipement fabriqué par Husqvarna est garanti exempt de tout défaut de fabrication en fonctionnement normal pour une période de deux (2) ans à partir de la date de l'achat par le consommateur acheteur initial. Les fabricants des pièces proposent des périodes de garantie distinctes. Pour obtenir tous les renseignements, communiquer avec le service technique au 800-288-5040.

En vertu de cette garantie, notre obligation est expressément limitée au remplacement ou à la réparation chez Husqvarna Construction Products North America, Olathe, Kansas 66061, ou à un atelier d'entretien désigné par nos soins, des pièces jugées défectueuses lors de l'inspection.

Cette garantie ne s'applique pas aux défauts occasionnés par des dommages, une utilisation abusive, des réparations inadéquates effectuées ailleurs que dans un centre de réparation agréé de Husqvarna, ou des défauts causés par l'absence d'un entretien raisonnable, pendant que le consommateur est en possession du produit. Par ailleurs, la garantie est nulle si le produit, ou l'un de ses composants, est modifié par le consommateur acheteur ou si le produit est utilisé d'une façon inappropriée ou avec des outils non recommandés par le fabricant.





Exceptions : moteurs de forage – 3 mois, scies murales – 1 an, découpeuses – 3 mois, DM230 – 1 an, DM225 – 3 mois, systèmes Gyro – 1 an, système CD40 – 1 an, DS160 C – 1 an, Smartbox – 1 an, CS2515 – 1 an, PP455 E – 1 an, PP345 E – 1 an, HP40 – 1 an.

Pièces soumises à l'usure : filtres, bougies d'allumage, roulements*, courroies, disques** et plaques d'usure.

*Sauf système IntelliSeal™. **Sauf délaminage.

Símbolos de seguridad

Las definiciones que aparecen a continuación describen el nivel de gravedad de cada palabra de señal de seguridad. Por favor, lea el manual y preste atención a estos símbolos.

	Éste es el símbolo de alerta de seguridad. Se utiliza para alertarle a usted de posibles peligros de lesiones corporales. Obedezca todos los mensajes de seguridad que sigan a este símbolo para evitar posibles lesiones o muerte.
	PELIGRO indica una situación peligrosa que, si no se evita, causará la muerte o lesiones graves.
	ADVERTENCIA indica una situación peligrosa que, si no se evita, podría causar la muerte o lesiones graves.
	PRECAUCIÓN indica una situación peligrosa que, si no se evita, podría causar lesiones leves o moderadas.

ADVERTENCIA Lea todas las instrucciones. El incumplimiento de todas las instrucciones indicadas a continuación puede dar lugar a sacudidas eléctricas, incendios y/o lesiones personales graves.

INSTRUCCIONES DE SEGURIDAD Y DE FUNCIONAMIENTO IMPORTANTES CONSERVE ESTAS INSTRUCCIONES

Normas de seguridad para cargadores

- GUARDE ESTAS INSTRUCCIONES:** Este manual contiene instrucciones de seguridad y utilización importantes para el cargador de baterías Husqvarna modelo GAL18V-40. No lo sustituya por ningún otro cargador.
- Antes de utilizar el cargador de baterías, lea todas las instrucciones y marcas de advertencia que se encuentran en (1) el cargador de baterías, (2) el paquete de batería y (3) el producto que utiliza baterías.**
- Para reducir el riesgo de lesiones, cargue solamente las baterías recargables Husqvarna que se indican en la página 21.** Otros tipos de baterías pueden reventar, causando lesiones corporales y daños.
- Cargue el paquete de batería a temperaturas por encima de +32 grados F (0 grados C) y por debajo de +113 grados F (45 grados C). Almacene la herramienta y el paquete de batería en lugares en los que las temperaturas no excedan 120 grados F (49 grados C).** Esto es importante para prevenir daños graves a las celdas de la batería.
- No recargue la batería en un ambiente húmedo o mojado. No exponga el cargador ni a la lluvia ni a la nieve.** La entrada de agua en el cargador de baterías puede causar descargas eléctricas o incendio.
- No sumerja nunca el paquete de batería, la herramienta o el cargador en ningún tipo de líquido ni permita que entre líquido en ellos.** Los líquidos corrosivos o conductores (tales como el agua de mar o los productos que contengan sustancias químicas industriales o blanqueador, etc.) pueden provocar un cortocircuito que es posible que cause incendio, lesiones corporales y daños materiales.
- Se puede producir un escape del líquido de las baterías bajo condiciones extremas de uso o de temperatura. Evite el contacto con la piel y los ojos.** El líquido de la batería es cáustico y podría causar quemaduras químicas en los tejidos. Si el líquido entra en contacto con la piel, lávela rápidamente con agua y jabón. Si el líquido entra en contacto con los ojos, enjuáguelos con agua durante un

mínimo de 10 minutos y obtenga atención médica.

8. **Coloque el cargador sobre superficies planas ininflamables y alejado de materiales inflamables cuando recargue el paquete de batería. Las alfombras y otras superficies termoaislantes bloquean la circulación apropiada de aire, lo cual puede causar sobrecalentamiento del cargador y del paquete de batería.** Si se observa humo o derretimiento del cargador o del paquete de batería, desenchufe inmediatamente el cargador y no utilice el paquete de batería ni el cargador. Contacte inmediatamente a servicio al cliente.
9. **Asegúrese de que el cable de alimentación esté ubicado de manera que no se pueda pisar ni tropezar en él, ni que pueda sufrir daños ni someterse a esfuerzo excesivo de alguna otra manera.** El enchufe y el cable de alimentación dañados pueden causar descargas eléctricas o incendio.
10. **Desconecte el cargador jalando el enchufe en lugar de jalando el cable de alimentación. No utilice el cargador con el cable de alimentación o el enchufe dañado; haga que reemplacen el cable o el enchufe de inmediato.** Un enchufe o un cable de alimentación dañado puede causar descargas eléctricas o incendio.
11. **No inserte el paquete de batería en el cargador si la carcasa del paquete de batería está agrietada.** La utilización de un paquete de batería dañado puede causar descargas eléctricas o incendio.
12. **No desensamble el cargador ni lo utilice si ha recibido un golpe fuerte, se ha caído o se ha dañado de alguna otra manera.** Un reensamblaje incorrecto o los daños pueden causar descargas eléctricas o incendio.
13. **Antes de cada uso, compruebe el cargador de baterías, el cable, el enchufe y el paquete de batería. No utilice la unidad si se detecta algún daño. No abra nunca el cargador de baterías ni el paquete de batería usted mismo, llévelo a un Centro de Servicio de Fábrica Husqvarna a un técnico de servicio calificado que utilice únicamente piezas de repuesto originales.** Es posible que un reensamblaje incorrecto o la utilización del producto dañado causen descargas eléctricas o incendio.
14. **No utilice un aditamento no recomendado o no vendido por Husqvarna.** La utilización de aditamentos no recomendados puede causar descargas eléctricas o incendio.
15. **No almacene el paquete de batería en el cargador.** El paquete de batería almacenado en el cargador durante un período de tiempo prolongado podría causar daños al paquete de batería e incendio del mismo.
16. **Desenchufe el cargador del tomacorriente antes de almacenarlo, intentar cualquier mantenimiento o limpiarlo.** Dichas medidas preventivas de seguridad reducen el riesgo de descargas eléctricas o incendio.
17. **Mantenga limpio el cargador de baterías limpiando la carcasa del cargador con un paño húmedo.** La contaminación puede causar descargas eléctricas o incendio.
18. **Reemplace el paquete de batería si se observa un descenso sustancial del tiempo de funcionamiento por carga.** Es posible que el paquete de batería se esté acercando al final de su vida útil.

► Cuidado de las baterías

⚠ ADVERTENCIA Cuando las baterías no están en la herramienta o en el cargador, manténgalas alejadas de objetos metálicos. Por ejemplo, para evitar que las terminales hagan cortocircuito, **NO** ponga las baterías en una caja de herramientas o en un bolsillo con clavos, tornillos, llaves,

etc. Se pueden producir un incendio o lesiones.

NO ARROJE LAS BATERÍAS AL FUEGO NI LAS EXPONGA AL CALOR INTENSO. Pueden explotar.

► Eliminación de las baterías

⚠ ADVERTENCIA No intente desarmar la

batería ni quitar ninguno de los componentes que sobresalen de las terminales de la batería. Se pueden producir lesiones o un incendio. Antes de tirarla, proteja las terminales que están al descubierto con cinta adhesiva aislante gruesa para prevenir cortocircuitos.

▼ BATERÍAS DE IONES DE LITIO

Si este producto está equipado con una batería de iones de litio, dicha batería debe recogerse, reciclarse o eliminarse de manera segura para el medio ambiente.



“El sello de reciclaje de baterías RBRC certificado por la EPA que se encuentra en la batería de iones de litio (Li-ion) indica que Husqvarna Corporation

está participando voluntariamente en un programa de la industria para recoger y reciclar estas baterías al final de su vida útil, cuando se retiran de servicio en los Estados Unidos y Canadá. El programa RBRC proporciona una alternativa conveniente a tirar las baterías de Li-ion usadas a la basura o a la corriente municipal de aguas residuales, lo cual quizás sea ilegal en su área.

Tenga la amabilidad de llamar al 1-800-8-BATTERY para obtener información acerca de las prohibiciones/restricciones sobre el reciclaje y la eliminación de baterías de Li-ion en su lugar o devuelva las baterías a un Centro de servicio Husqvarna para reciclarlas. La participación de Husqvarna Corporation en este programa es parte de nuestro compromiso hacia preservar nuestro medio ambiente y conservar nuestros recursos naturales.”

► Cordones de extensión

⚠ ADVERTENCIA NO SE DEBE UTILIZAR UN CORDON DE EXTENSION A NO SER QUE SEA ABSOLUTAMENTE NECESARIO. La utilización de un cordón de extensión inapropiado podría dar lugar a peligro de incendio y sacudidas eléctricas. Si se debe utilizar un cordón de extensión, asegúrese de que:

- Las terminales del enchufe del cordón de extensión tengan el mismo número, tamaño y forma que las del enchufe del cargador.
- El cordón de extensión esté conectado adecuadamente y en buenas condiciones eléctricas.

- El tamaño del cable sea suficientemente grande para la capacidad nominal en amperios AC del cargador según se especifica a continuación:

Longitud del cordón, pies:	25	50	100	150
Tamaño del cordón según el calibre americano de alambres (AWG)	18	16	16	14

- Un cordón de extensión es una solución provisional. Lleve el cargador a un tomacorriente estándar en cuanto se haya terminado el trabajo.

► Notas importantes para cargar

- El cargador fue diseñado para cargar la batería rápidamente sólo cuando la temperatura de la batería está entre 0°C (32°F) y 45°C (113°F). Si el paquete de baterías está demasiado caliente o demasiado frío, el cargador no cargará rápidamente la batería. (Esto puede ocurrir si el paquete de baterías está caliente debido a una utilización intensa). Una vez que la temperatura de la batería regresa a su intervalo de carga segura, entre 32 °F (0 °C) y 113 °F (45 °C), el cargador comenzará automáticamente a cargar.
- Un descenso considerable en el tiempo de funcionamiento por carga puede significar que el paquete de baterías se está acercando al final de su vida y que debe ser sustituido.
- Recuerde desenchufar el cargador durante el período de almacenamiento.
- Si la batería no carga adecuadamente:
 - Compruebe que hay tensión en el tomacorriente enchufando algún otro dispositivo eléctrico.
 - Compruebe si el tomacorriente está conectado a un interruptor de luz que corta el suministro de energía cuando se apagan las luces.
 - Compruebe los terminales del paquete de batería y los conectores del cargador para determinar si tienen suciedad. Si es necesario, límpielos con un bastoncillo de algodón y alcohol.
 - Si usted sigue sin obtener una

carga adecuada, lleve o envíe la herramienta, el paquete de baterías y el cargador al Centro de servicio Husqvarna local. Busque bajo “Herramientas eléctricas” en las páginas amarillas para obtener nombres y direcciones.

Nota: La utilización de cargadores o paquetes de batería no vendidos por Husqvarna anulará la garantía.

► **Aviso de precaución de la FCC:**

El fabricante no es responsable de la radiointerferencia causada por las modificaciones no autorizadas que se realicen en este equipo. Dichas modificaciones podrían anular la autoridad del usuario para utilizar el equipo.

Este dispositivo cumple con la Parte 15 de las Reglas de la FCC. El funcionamiento está sujeto a las dos condiciones siguientes:

- 1) Este dispositivo no puede causar interferencias nocivas y
- 2) Este dispositivo debe aceptar cualquier interferencia recibida, incluyendo interferencia que pueda causar un funcionamiento no deseado.

NOTA: Este equipo ha sido sometido a pruebas y se ha comprobado que cumple con los límites para un dispositivo digital de Clase B, conforme a la parte 15 de las Normas de la FCC. Estos límites están diseñados para proporcionar protección razonable contra la interferencia perjudicial en una instalación residencial. Este equipo genera, usa y puede irradiar energía de radiofrecuencia y, si no se instala y utiliza de acuerdo con las instrucciones, puede causar interferencia perjudicial para las

radiocomunicaciones. Sin embargo, no hay garantía de que no vaya a ocurrir interferencia en una instalación específica. Si este equipo causa interferencia perjudicial para la recepción de radio o televisión, lo cual se puede determinar apagando y encendiendo el equipo, se recomienda al usuario que intente corregir la interferencia tomando una o más de las medidas siguientes:

- Reoriente o reubique la antena receptora.
- Aumente la separación entre el equipo y el receptor.
- Conecte el equipo a un tomacorriente que esté en un circuito distinto al circuito al que el receptor esté conectado.
- Consulte al distribuidor o a un técnico experto en radio/TV para obtener ayuda.

► **“Protección con células electrónicas” (Electronic Cell Protection, ECP)**

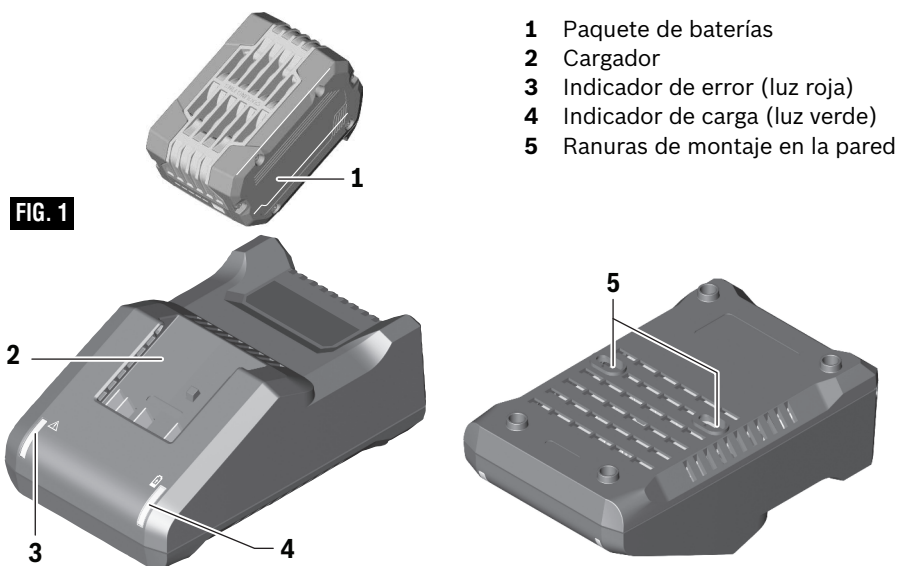
La batería de iones de litio está protegida contra la descarga profunda por la “protección con células electrónicas” (Electronic Cell Protection, ECP). Cuando la batería esté vacía, la herramienta se apagará por medio de un circuito protector.

La batería se suministra parcialmente cargada. Cargue completamente la batería antes de utilizar la herramienta eléctrica por primera vez. La batería de iones de litio se puede cargar en cualquier momento, sin reducir su vida de servicio. La interrupción del procedimiento de carga no daña la batería.

CONSERVE ESTAS INSTRUCCIONES

Descripción funcional y especificaciones

FIG. 1



- 1 Paquete de baterías
- 2 Cargador
- 3 Indicador de error (luz roja)
- 4 Indicador de carga (luz verde)
- 5 Ranuras de montaje en la pared

Baterías Husqvarna	Tiempo de carga aproximado hasta la capacidad máxima	
	80%	100%
18V40 Ah	48 min	65 min
18V80 Ah	113 min	124 min
Tensión de entrada del cargador		120 V ~ 60 Hz
Corriente de carga de la batería		4.0A

⚠ ADVERTENCIA Este cargador
cargará solamente
las baterías siguientes:

-18V40
-18V80

Para informarse sobre la compatibilidad de
baterías más actualizada, sírvase visitar
www.husqvarnacp.com

Carga del paquete de baterías

Enchufe el cable del cargador en un tomacorriente estándar.

Si el paquete de batería no está insertado, la luz indicadora verde del cargador se ENCENDERÁ. Esto indica que el cargador está recibiendo alimentación eléctrica y que el cargador está listo para funcionar.



Cuando inserte el paquete de batería **1** en el cargador, la luz indicadora verde del cargador **4** comenzará a "PARPADEAR".

Esto indica que la batería está recibiendo una carga rápida.

Una vez que se haya alcanzado aproximadamente el 80% de la capacidad de la batería, el parpadeo de la luz verde se volverá más lento, lo cual indica que el proceso de carga rápida se ha completado en ese momento. Si la batería permanece en el cargador, el proceso de carga se completa en el modo de carga de larga duración.

El propósito de la luz verde que "PARPADEA" rápidamente es indicar que el paquete de batería se está cargando rápidamente. No indica el punto exacto en que se alcanza la carga completa. La luz dejará de parpadear cuando la batería esté completamente cargada.



Una luz verde **4** continua en el cargador de baterías indica que la batería está completamente cargada. Sin embargo, el

paquete de batería se podrá usar en cualquier momento, incluso si la luz verde aún está parpadearo.



Una luz indicadora roja **3** continua significa que el paquete de batería está fuera de los intervalos de temperatura

apropiados (demasiado caliente o demasiado frío), por lo cual el cargador no comenzará el proceso de carga. El proceso de carga (modo de carga rápida o de larga

duración) sólo es posible cuando el intervalo de temperatura del paquete de batería está entre 32 °F (0 °C) y 113 °F (45 °C).

En cuanto el paquete de batería alcance el intervalo de temperatura correcto, el cargador de batería cambiará automáticamente a carga rápida.



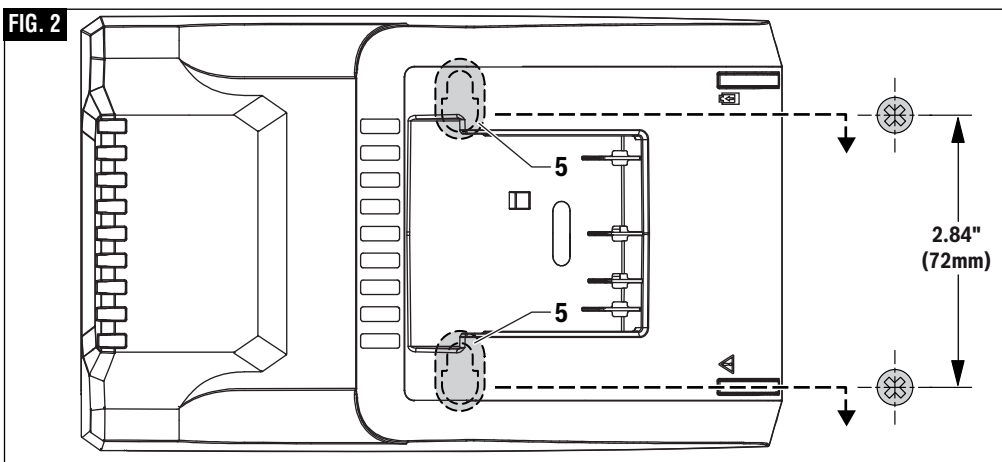
Si la luz indicadora roja **3** está "PARPADEANDO", el paquete de batería no puede aceptar una carga. Puede que esto se

deba a que los contactos del cargador o del paquete de batería están contaminados, a que el propio paquete de batería está defectuoso o a que la batería es de tipo incorrecto para este cargador.

- Confirme la compatibilidad de la batería con el cargador consultando la lista de paquetes de batería Husqvarna genuinos que aparece en la página 21 de este manual.
- Si es pertinente, inserte otro paquete de batería compatible en el cargador, para verificar si éste está funcionando correctamente.
- Limpie los contactos del cargador o del paquete de batería (p. ej., usando un bastoncillo de algodón y alcohol en los terminales de la batería y del cargador, o insertando y retirando varias veces la batería) o reemplace el paquete de batería, según sea necesario.

Cuando el paquete de batería esté completamente cargado, desenchufe el cargador (a menos que esté cargando otro paquete de batería) y deslice el paquete de batería hacia el interior de la herramienta.

Montaje en pared



⚠ ADVERTENCIA Lea las instrucciones del taladro atornillador y los herrajes de montaje antes de taladrar el agujero.

Nota: El consumidor es responsable de los daños o las lesiones que una instalación incorrecta cause.

Utilice herrajes de montaje que sean apropiados para el tipo de pared y adecuados para el peso del cargador y el paquete de batería más pesado. Si el cargador se instala sin los herrajes correctos, es posible que el producto esté inestable y cause daños materiales o lesiones corporales.

No monte el cargador en una pared donde el peso del cargador y la batería no pueda ser soportado. Si la resistencia de la ubicación de montaje en la pared no es suficientemente elevada, el cargador se puede caer y causar una lesión. Nota: Es responsabilidad del consumidor asegurarse de que la pared pueda soportar adecuadamente el peso total.

Haga una comprobación para asegurarse de que no haya cables con corriente, tuberías de agua ni tuberías de gas ocultas detrás del área de montaje. Si se corta o taladra en cualquiera de estas cosas, puede que el resultado sea lesiones graves o la muerte.

⚠ PRECAUCIÓN No monte la unidad en superficies que no sean una pared vertical. El montaje del cargador está diseñado únicamente para

superficies verticales. Es posible que una instalación incorrecta cause daños materiales o lesiones corporales.

El cargador se puede montar en una pared utilizando las ranuras de montaje en pared 5 (Fig. 2).

- Localice el área de montaje en la pared.
- Marque dos puntos en una línea vertical con 2,84 pulgadas (72 mm) de separación.
- Seleccione los tornillos y anclajes adecuados (si es necesario) para el material de la pared. (Herrajes de montaje no incluidos).
- Taladre en la pared con la broca taladradora adecuada. Si se van a usar anclajes, siga las instrucciones del fabricante de los herrajes de anclaje.
- Enrosque dos tornillos de cabeza redonda (no incluidos) con un diámetro de 0,2 pulgadas (5 mm) a 0,25 pulgadas (6,5 mm) como máximo en la pared o los anclajes. Deje aproximadamente 0,13 pulgadas (3,3mm) de espacio entre la parte inferior de la cabeza del tornillo y la pared.
- Posicione las ranuras para tornillo del cargador sobre los tornillos de montaje. Empuje el cargador hacia la

pared y deslízelo hacia abajo para sujetarlo firmemente a los tornillos de montaje.

Nota: Asegúrese de que el cargador esté montado de manera segura y que se encuentre bien apretado contra la superficie de montaje. Ajuste la exposición del tornillo según sea necesario para asegurarse de que el cargador esté plano contra la pared.

Política de garantía

Todos los reclamos de garantía se determinarán después de una inspección en una instalación designada. Se requiere una Autorización de devolución de mercadería para todos los reclamos de garantía. Comuníquese con el departamento de Servicio al cliente de Husqvarna al 800-845-1312 para una Autorización de devolución de mercadería. El cliente debe realizar un pago previo del flete y asumir cualquier gasto de mano de obra requerido para devolver o reemplazar un producto enviado para la evaluación de garantía. Husqvarna pagará los gastos de envío de devolución para productos de reemplazo aprobados o reparados.

EQUIPOS

Se garantiza que el equipo fabricado por Husqvarna no tiene defectos de fabricación en el uso normal durante un período de dos (2) años a partir de la fecha de compra del comprador original. Los fabricantes de componentes ofrecen períodos de garantía por separado. Llame al departamento de Servicios técnicos al 800-288-5040 para obtener información completa.

Nuestra obligación conforme a esta garantía se limita expresamente al reemplazo o reparación en Husqvarna Construction Products North America, Olathe, Kansas 66061 o en una instalación de servicio designada por nosotros, de dicha pieza o piezas que según la inspección deberán catalogarse como defectuosas.

Esta garantía no se aplica a los defectos causados por daños, uso no razonable o reparaciones fallidas realizadas por otras personas que no sean un proveedor de servicios autorizado por Husqvarna, o defectos causados por no haber realizado un mantenimiento razonable mientras se encontraba en posesión del consumidor. Además, la garantía será nula si el producto o cualquiera de sus componentes se encuentra alterado o modificado por el comprador de consumo o si el producto se utiliza de una manera inadecuada o con herramientas no recomendadas por el fabricante.

Excepciones: Motores de perforadora - 3 meses, sierras de pared - 1 año, cortadoras - 3 meses, DM230 - 1 año, DM225 - 3 meses, sistemas Gyro - 1 año, sistema CD40 - 1 año, DS160 C - 1 año, Smart box - 1 año, CS2515 1 año, PP455 E - 1 año, PP345 E - 1 año, HP40 - 1 año.

Materiales desgastados: Filtros, bujías, cojinetes*, correas, ruedas** y almohadillas desgastadas.

*Excepto el sistema IntelliSeal™. **Excepto la deslaminación.

Original instructions

1142829-49



2021-08-24