

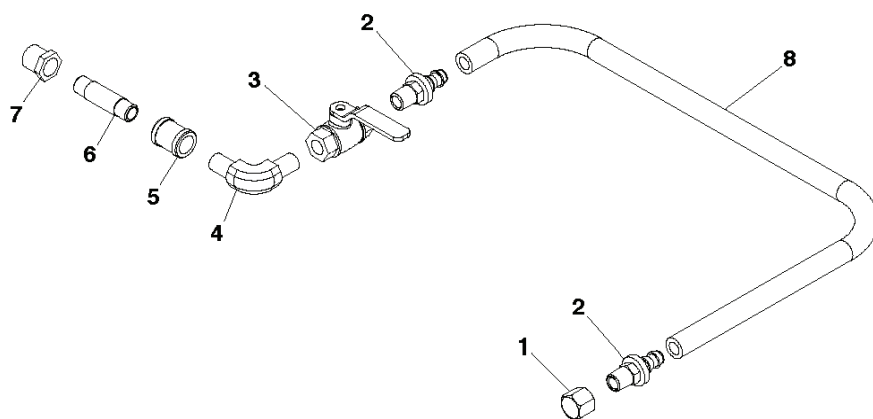
**SPARE PARTS CATALOGUE**  
**: HUSQVARNA SOFF-CUT 5000**

Spare Parts List

---

# **SPARE PARTS LIST**

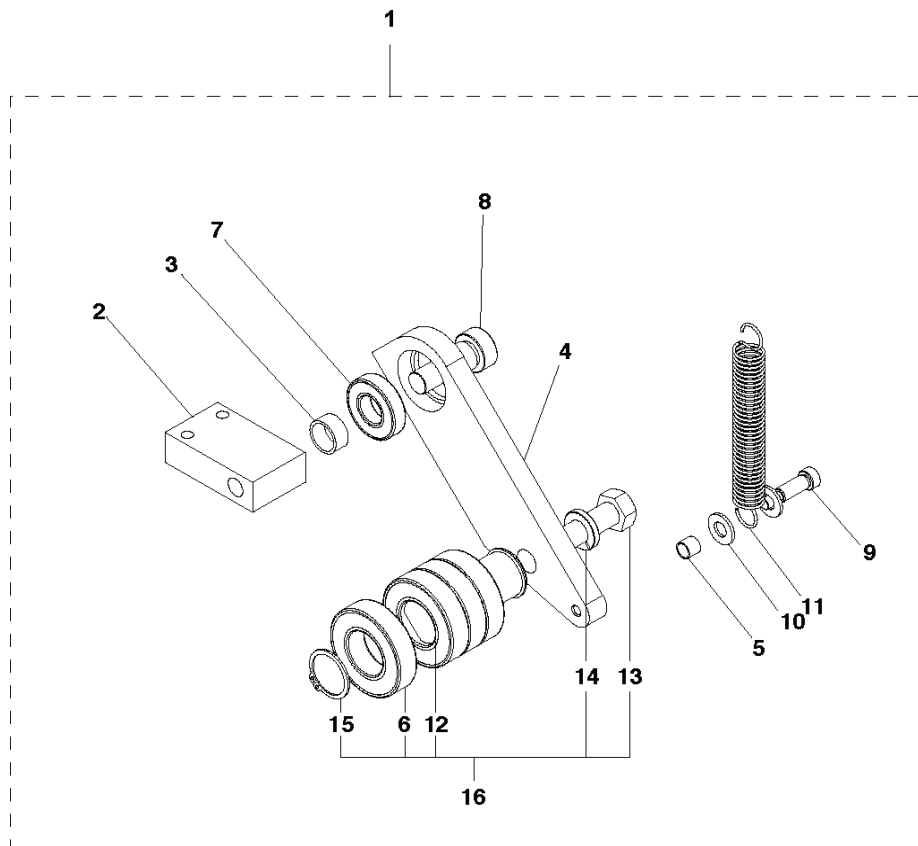
**D** SOFF CUT X5000  
KIT, OIL DRAIN



---

REF.	PART NO.	DESCRIPTION	REMARK	QTY.	KIT
1	505776601	CAP		1	
2	505738601	FITTING		2	
3	505738901	VALVE		1	
4	505738701	ADAPTER		1	
5	505796601	FITTING		1	
6	505796501	NIPPLE		1	
7	505796401	BUSHING		1	
8	505738501	HOSE		1	

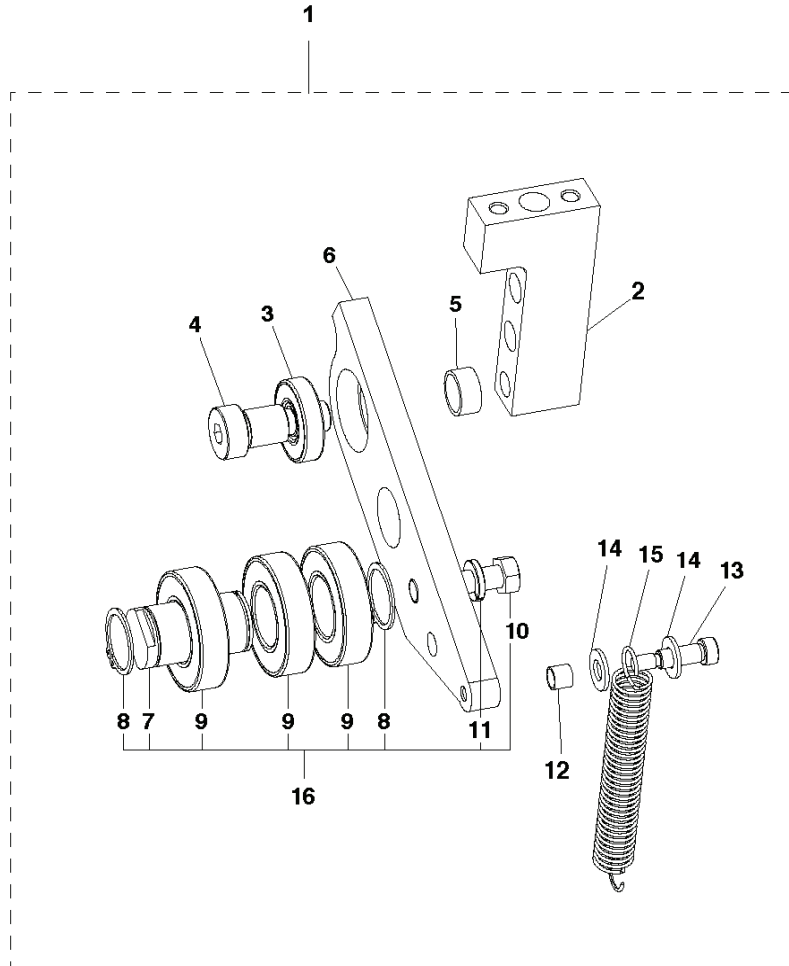
**E** SOFF CUT X5000  
BLADE IDLER PULLEY



---

REF.	PART NO.	DESCRIPTION	REMARK	QTY.	KIT
2	505664501	BLOCK. IDLER MOUNT		1	
3	505714602	SPACER		1	
4	505663901	IDLER PULLEY ARM		1	
5	505717901	BUSHING		1	
6	505736301	BALL BEARING		4	
7	505736001	BALL BEARING		1	
8	505726201	BOLT		1	
9	505726401	BOLT		1	
10	539990188	WASHER		2	
11	505796901	SPRING		1	
12	505665001	SHAFT		1	
13	505821101	BOLT		1	
14	505731101	WASHER		1	
15	542206205	SNAP RING		2	
16	505484502	PULLEY		1	

**F** SOFF CUT X5000  
PUMP IDLER PULLEY

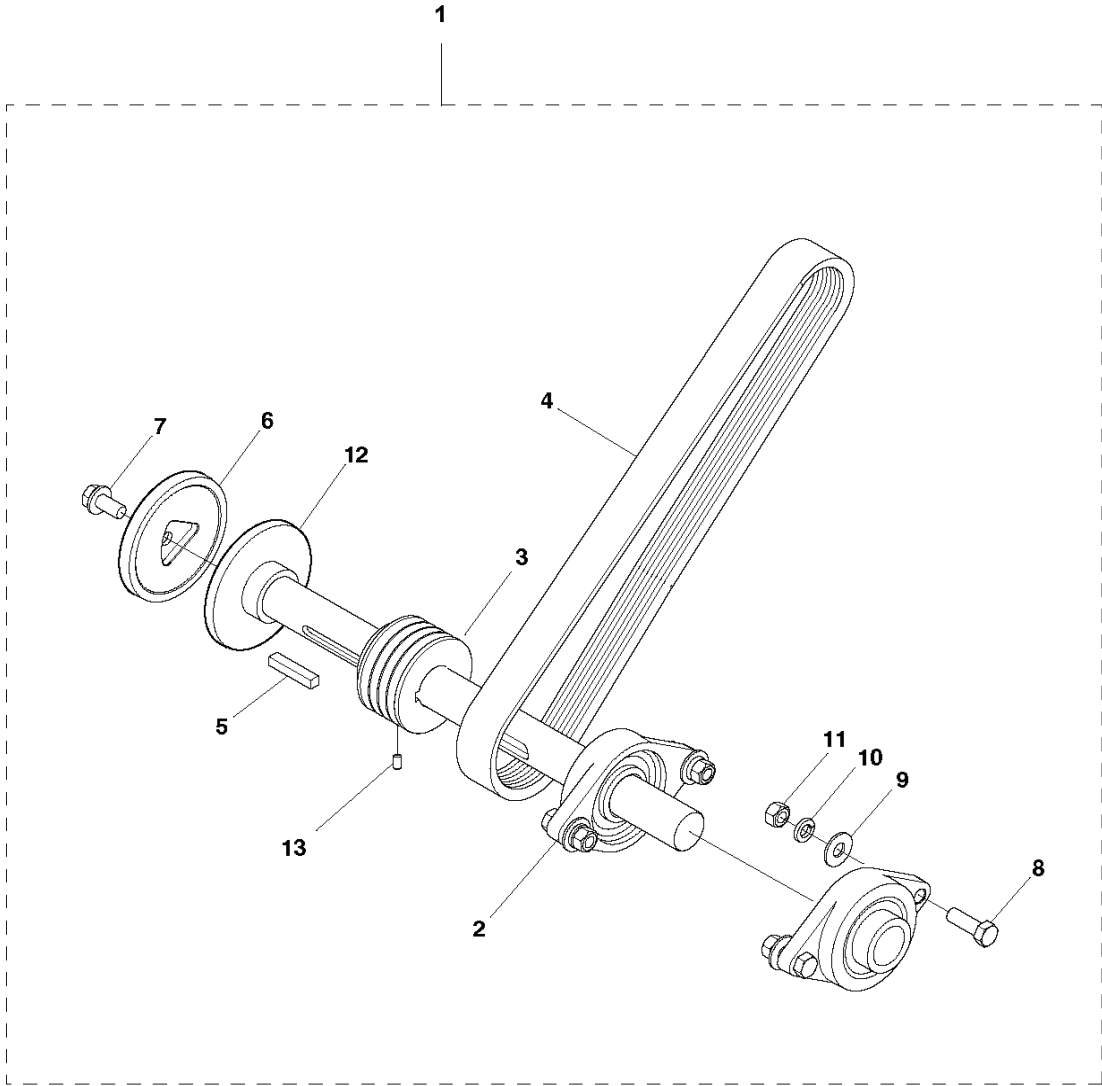


---

REF.	PART NO.	DESCRIPTION	REMARK	QTY.	KIT
1	510271801	BELT TENSIONER ASSY		1	
2	505714401	BLOCK		1	
3	505736001	BALL BEARING		1	
4	505726201	BOLT		1	
5	505714602	SPACER		1	
6	505706901	ARM		1	
7	505706801	SHAFT		1	
8	542206205	SNAP RING		2	
9	505736301	BALL BEARING		3	
10	505795801	BOLT		1	
11	505731001	WASHER		1	
12	505717901	BUSHING		1	
13	505726401	BOLT		1	
14	539990188	WASHER		2	
15	505774601	SPRING		1	
16	505483401	BEARING KIT		1	

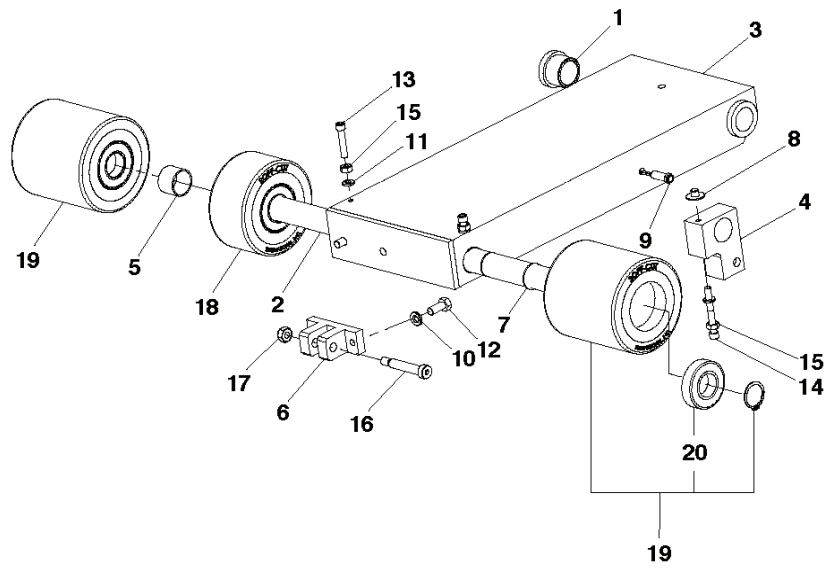


**G** SOFF CUT X5000  
BLADE SHAFT ASSEMBLY



REF.	PART NO.	DESCRIPTION	REMARK	QTY.	KIT
1	510272201	BLADE SHAFT		1	
2	505774101	BLADE SHAFT		2	
3	582046601	PULLEY	Machines with S/N before 001317909001 needs to buy both pos 3 and 4	1	
4	542166629	V-BELT	Machines with S/N before 001317909001 needs to buy both pos 3 and 4	1	
5	510326901	KEY		1	
6	505491506	WASHER		1	
7	505483701	BOLT		1	
8	505821101	BOLT		4	
9	505731401	WASHER		4	
10	505731101	WASHER		4	
11	505733301	NUT		4	
12	505573205	SHAFT		1	
13	542020550	SCREW		1	

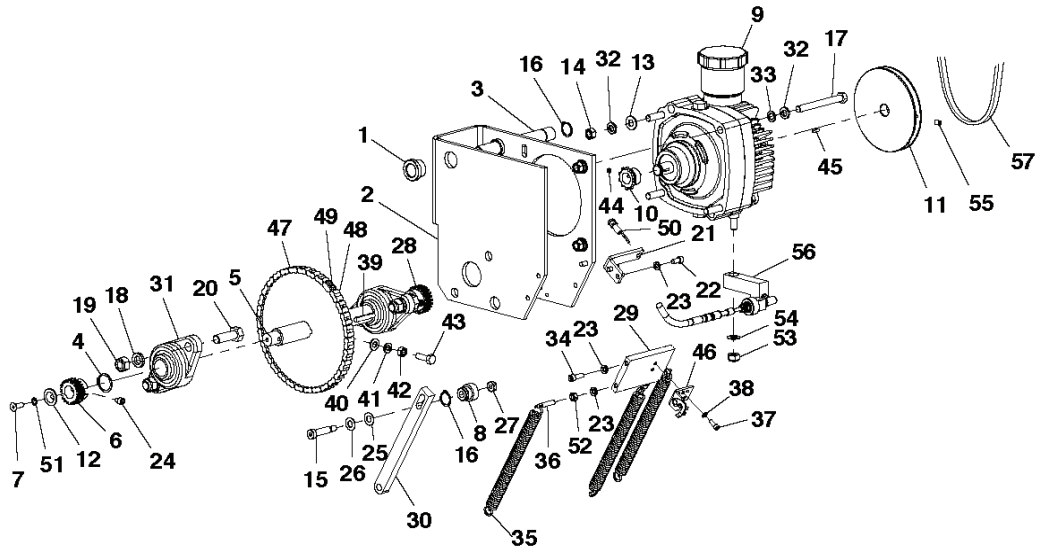
**H** SOFF CUT X5000  
FRONT WHEEL CARRIAGE



---

REF.	PART NO.	DESCRIPTION	REMARK	QTY.	KIT
1	505705101	BUSHING		2	
2	505764001	AXLE		1	
3	505660101	WHEEL		1	
4	505660301	BLOCK		1	
5	505764101	SPACER		1	
6	505756901	BRACKET		1	
7	542206205	SNAP RING		1	
8	505625301	BUTTON		1	
9	505754301	SWITCH		1	
10	505633001	WASHER		2	
11	505632801	WASHER		3	
12	539976934	SCREW		2	
13	505628001	BOLT		2	
14	505728901	BOLT		1	
15	505631901	NUT		3	
16	505771501	BOLT		1	
17	539990717	NUT		1	
18	505869201	WHEEL ASSY		1	
19	505869101	WHEEL ASSY		2	

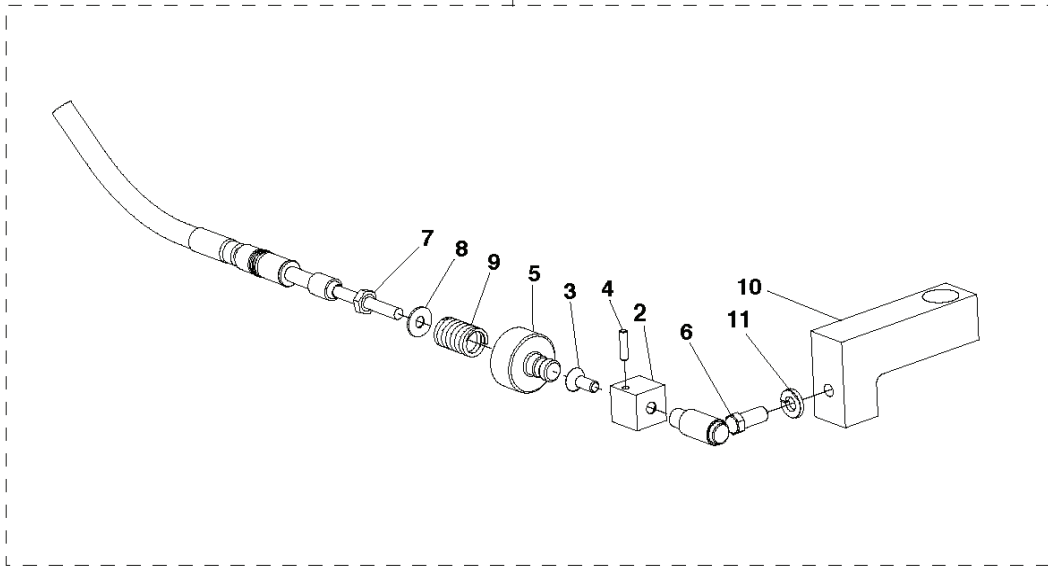
**J** SOFF CUT X5000  
PUMP ASSEMBLY



REF.	PART NO.	DESCRIPTION	REMARK	QTY.	KIT
1	505586901	BUSHING		2	
2	505658201	FRAME		1	
3	505658701	SHAFT		1	
4	542206205	SNAP RING		2	
5	505764701	DRIVE SHAFT		1	
6	505602401	GEAR		1	
7	505628601	SCREW		2	
8	505658801	BUSHING		1	
9	582382801	TRANSMISSION		1	
10	587659901	SPROCKET		1	
11	505739801	PULLEY		1	
12	505764801	WASHER		2	
13	900000002	DUMMY PART		4	
14	539990130	NUT		4	
15	505820701	BOLT		1	
16	505733501	SNAP RING		2	
17	539300870	NLA HCS 3/8-16 X 3-1/2 GR 5 ZN		4	
18	505731101	WASHER		4	
19	523327701	NUT		4	
20	505821101	BOLT		4	
21	505658501	ARM		1	
22	505722301	BOLT		2	
23	505632801	WASHER		7	
24	505772701	SCREW		4	
25	505634501	WASHER		1	
26	505634201	WASHER		1	
27	505631701	NUT		1	
28	505777001	GEAR		1	
29	505658601	PLATE, PUMP SUPPORT		1	
30	505658401	ARM		1	
31	505689401	BEARING		2	
32	505731001	WASHER		8	
33	505724001	WASHER		4	
34	505627801	BOLT		2	
35	505775201	SPRING		3	
36	505774501	ANCHOR		3	
37	505729601	BOLT		2	
38	505633101	WASHER		2	
39	510318101	KEY		1	
40	539990188	WASHER		1	
41	505633001	WASHER		1	
42	505732401	NUT		1	
43	539990209	SCREW		1	
44	542020541	KEY		1	
45	539300749	KEY		2	
46	505666401	BRACKET		1	
47	505739401	SPROCKET		1	
48	587706601	KIT		1	
49	505739601	LINK		1	
50	505754301	SWITCH		1	
51	505686201	WASHER		2	
52	505631901	NUT		3	
53	539976979	NUT		1	
54	505634201	WASHER		1	
55	542020541	KEY		2	
56	505862301	CONTROL		1	
57	505484003	BELT		1	

**K** SOFF CUT X5000  
SPEED CONTROL CABLE

1

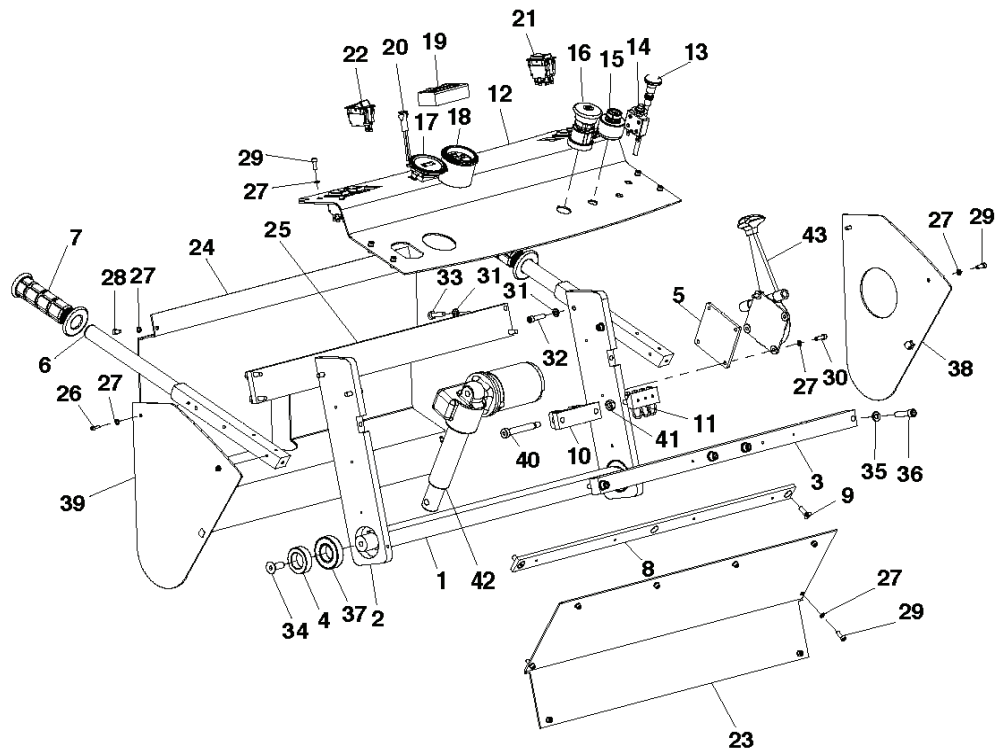


---

REF.	PART NO.	DESCRIPTION	REMARK	QTY.	KIT
1	505862301	CONTROL		1	
2	505658901	CONTROL CABLE		1	
3	505729901	SCREW		1	
4	505633701	PRECISION DOW PIN STL 1/8 X 1/		1	
5	505659001	FITTING		1	
6	505823501	BALL JOINT		1	
7	505823001	CONTROL CABLE		1	
8	505725301	WASHER		1	
9	505775101	SPRING		1	
10	505714901	ARM		1	
11	505632801	WASHER		1	

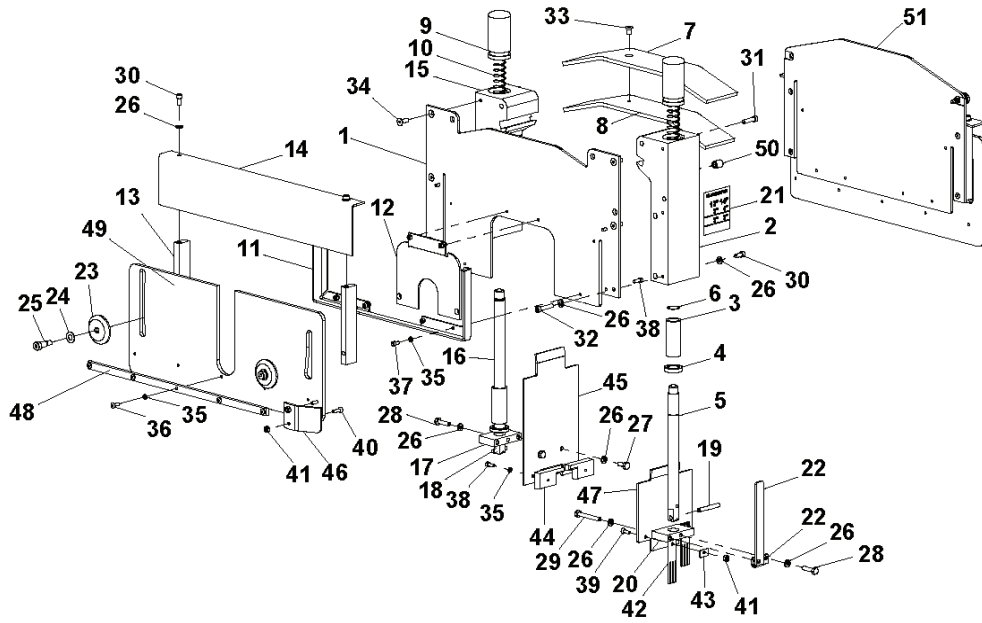


**L** SOFF CUT X5000  
CONTROL PANEL ASSEMBLY



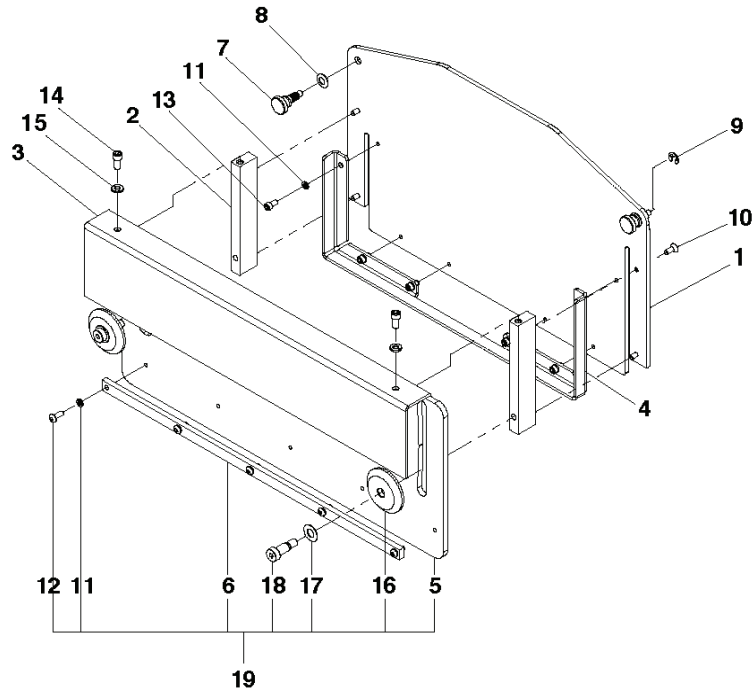
REF.	PART NO.	DESCRIPTION	REMARK	QTY.	KIT
1	505657901	SHAFT. CONTROL PANEL PIVOT		1	
2	505657201	ARM. CP PIVOT		2	
3	505657101	ACTUATOR		1	
4	505658001	SPACER		2	
5	505658101	SPACER		1	
6	505657801	SHAFT		2	
7	505601101	HANDLE GRIP		2	
8	505758501	CROSSBAR		1	
9	505628601	SCREW		2	
10	505757001	ACTUATOR		1	
11	505752701	BLOCK		1	
12	505657301	PANEL		1	
13	505695001	CABLE		1	
14	505605101	CIRCUIT BREAKER		1	
15	505797601	KEY SWITCH		1	
16	505704401	STOP SWITCH		1	
17	505750202	HOUR METER		1	
18	505704301	METER		1	
19	505605001	HOUR METER		1	
20	505846001	LIGHT		1	
21	582518501	SWITCH		4	
22	582518601	SWITCH		1	
23	505657601	PANEL. CONTROL FRONT		1	
24	505657701	PANEL. CONTROL REAR		1	
25	505664701	CROSS BAR. CP. REAR		1	
26	505802001	SHC 6-32 X 1/2 STAINLESS STEEL		2	
27	505633101	WASHER		26	
28	505627701	BOLT		4	
29	505729601	BOLT		18	
30	505729701	BOLT		2	
31	505632801	WASHER		8	
32	505627901	BOLT		4	
33	505727301	BOLT		4	
34	510325101	BOLT		2	
35	505633001	WASHER		4	
36	505688601	SHC 5/16-18 X 1 1/4 BLACK STEE		4	
37	505736301	BALL BEARING		2	
38	505657501	PANEL		1	
39	505657401	PANEL. CONTROL RIGHT SIDE		1	
40	505627201	BOLT		1	
41	539990717	NUT		1	
42	505844902	HANDLE		1	
43	505823601	CONTROL LEVER		1	

**M** SOFF CUT X5000  
BLADE BLOCK ASSEMBLY



REF.	PART NO.	DESCRIPTION	REMARK	QTY.	KIT
1	505662501	COVER	From page K	1	
2	505662301	BLOCK		1	
3	505667801	SHAFT		2	
4	505738001	SEAL		2	
5	505663401	SHAFT		1	
6	505748401	RETAINER RING		2	
7	505661801	COVER		1	
8	505661701	COVER		1	
9	505663501	CAP		2	
10	505663701	SPRING		2	
11	505662201	BRACKET		1	
12	505662901	COVER		1	
13	505661501	BLOCK		2	
14	505661901	COVER		1	
15	505662401	BLOCK		1	
16	505663301	SHAFT		1	
17	505839801	BLOCK		1	
18	505774001	PIN		1	
19	587918201	PIN		1	
20	505664901	BLOCK		1	
21	510325701	LABEL		1	
22	505831701	ARM		1	
23	505761701	WASHER		2	
24	505634201	WASHER		2	
25	505627101	BOLT		2	
26	505632801	WASHER		12	
27	505627401	BOLT		3	
28	505727301	BOLT		2	
29	505728101	BOLT		1	
30	505722301	BOLT		4	
31	505627901	BOLT		2	
32	505628001	BOLT		2	
33	505628501	SCREW		2	
34	505628601	SCREW		4	
35	505633101	WASHER		15	
36	505629801	SCREW		5	
37	505627701	BOLT		8	
38	505729601	BOLT		6	
39	505730201	SCREW		2	
40	505772901	SCREW		2	
41	505630401	NUT		4	
42	505769201	FLAP		2	
43	505769101	BAR		2	
44	505661601	BLOCK		1	
45	505662701	PLATE		1	
46	505761501	SHIELD		1	
47	505662801	PLATE		1	
48	505664301	STIFFENER		1	
49	505663101	COVER		1	
50	505748301	INSERT		2	
51	505862501	BLADE		1	

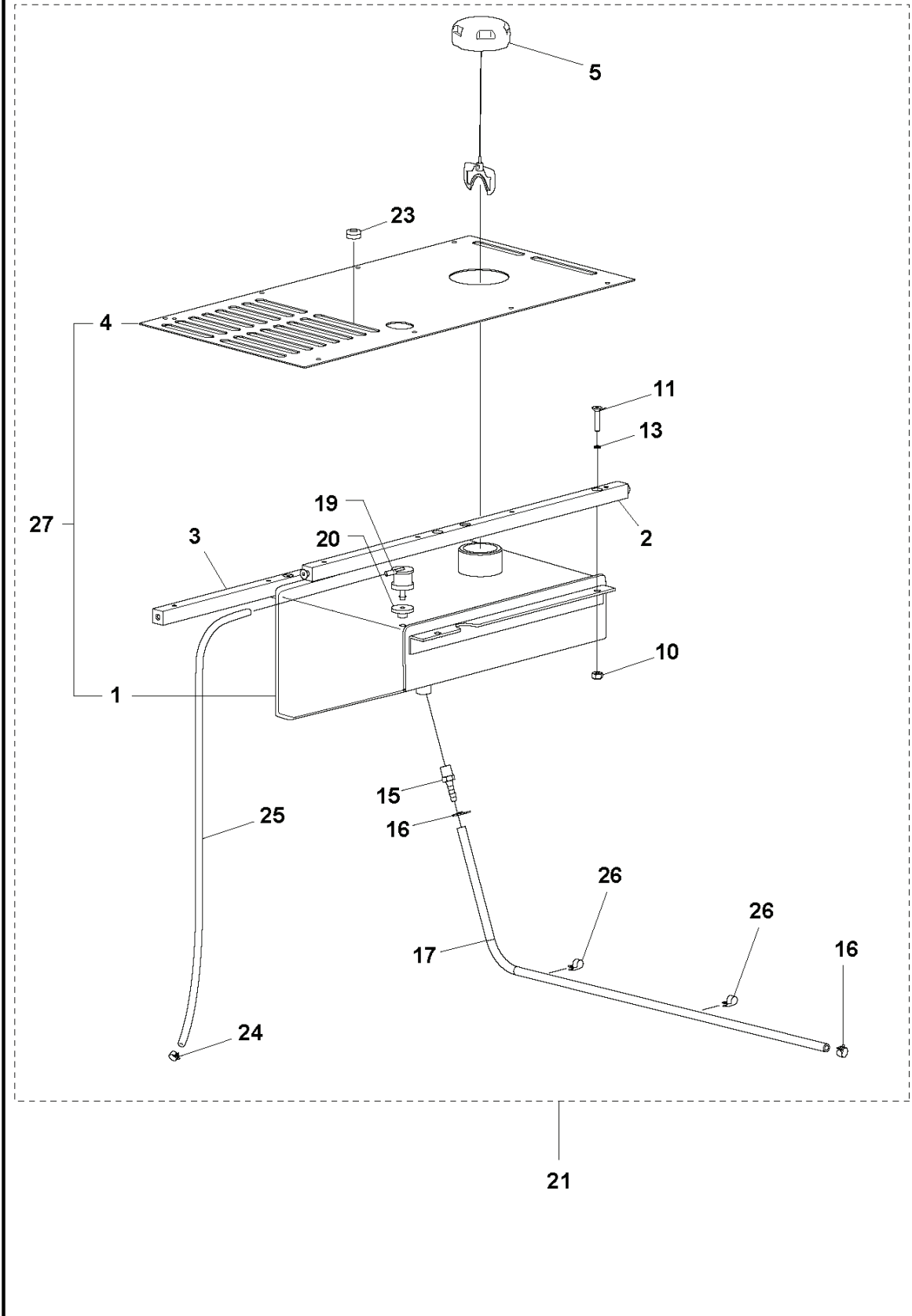
**N** SOFF CUT X5000  
BLADE BLOCK COVER ASSEMBLY



---

REF.	PART NO.	DESCRIPTION	REMARK	QTY.	KIT
1	505663001	FRONT COVER		1	
2	505661501	BLOCK		2	
3	505662101	COVER		1	
4	505662201	BRACKET		1	
5	505663201	COVER		1	
6	505664301	STIFFENER		1	
7	505536301	KNOB		2	
8	505536401	WASHER		2	
9	505536501	E-CLIP		2	
10	505729901	SCREW		4	
11	505633101	WASHER		11	
12	505629801	SCREW		5	
13	505627701	BOLT		6	
14	505722301	BOLT		2	
15	505632801	WASHER		2	
16	505761701	WASHER		2	
17	505634201	WASHER		2	
18	505627101	BOLT		2	
19	505889801	PROTECTIVE COVER		1	

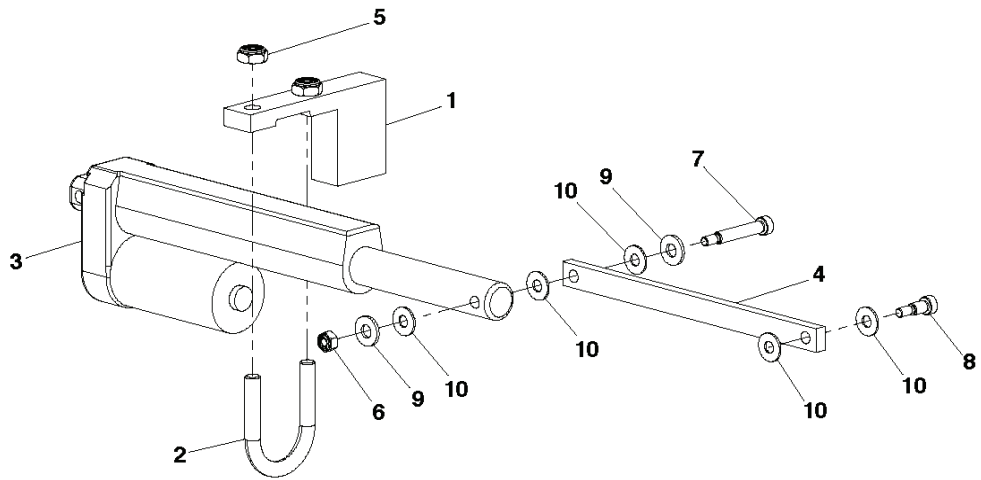
**P** SOFF CUT X5000  
FUEL TANK ASSEMBLY



REF.	PART NO.	DESCRIPTION	REMARK	QTY.	KIT
1	529501101	TANK		1	
2	505792001	HOOD	Cross bar	1	
3	505792001	HOOD	Cross bar	1	
4	577608501	COVER		1	
5	593015801	FUEL CAP		1	
10	539976978	NUT		4	
11	505773401	SOCKET	Socket screw	4	
13	505633101	WASHER		8	
15	541204799	FITTING		1	
16	577813501	CLAMP		2	
17	523050801	HOSE		1	
19	576618101	TANK VENT		1	
20	576618201	GROMMET		1	
21	900000002	DUMMY PART	510271519	1	
23	542047273	GROMMET		1	
24	577813502	CLAMP		2	
25	523050813	HOSE		1	
26	505639301	CBL CLAMP 1/2 IN.		2	
27	534205701	FUEL TANK		1	



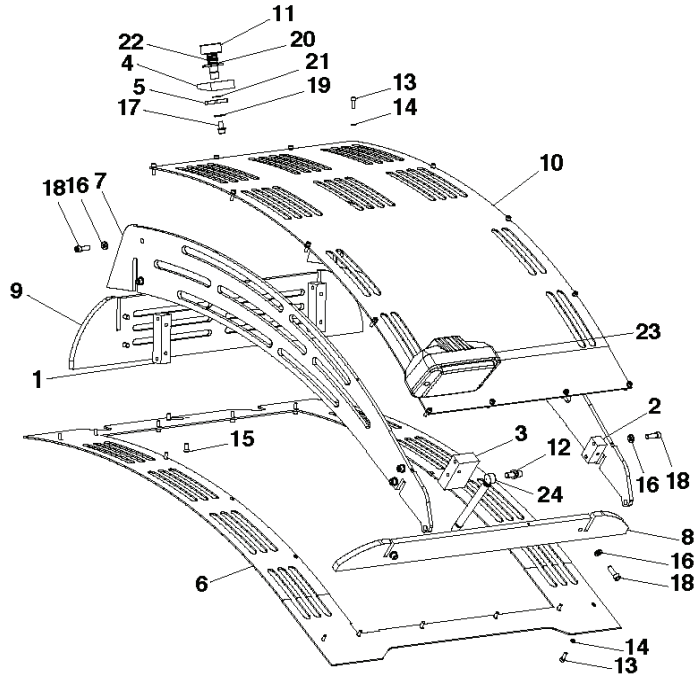
**U** SOFF CUT X5000  
KIT, GUIDE ACTUATOR



---

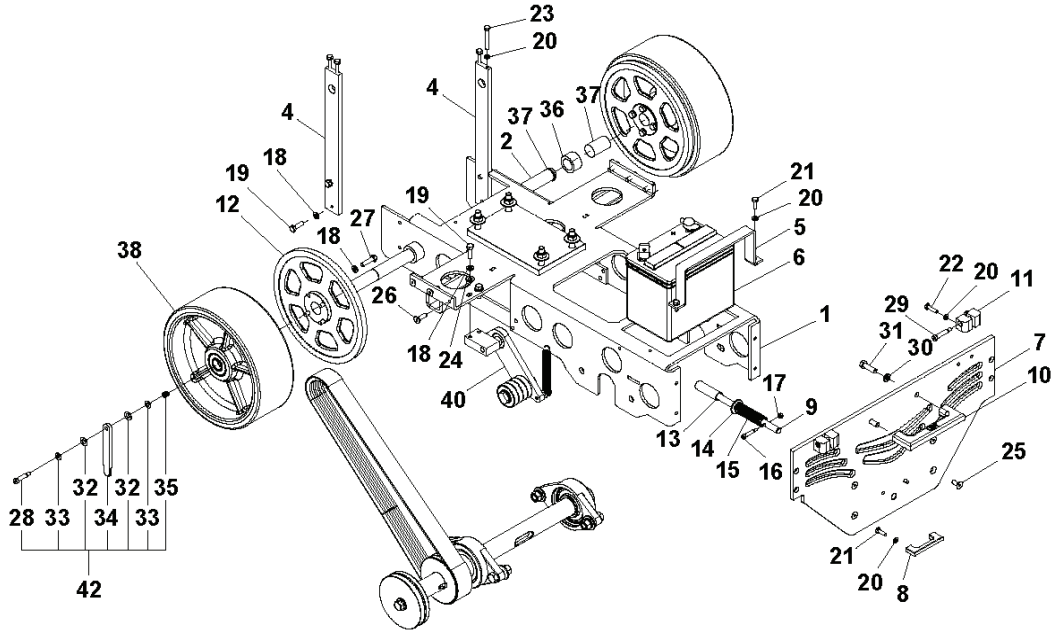
REF.	PART NO.	DESCRIPTION	REMARK	QTY.	KIT
1	505792401	BRACKET		1	
2	575421301	CLAMP		1	
3	505848002	KIT	Complete guide	1	
4	505765501	LINKAGE		1	
5	505631701	NUT		2	
6	505630401	NUT		1	
7	505811701	BOLT		1	
8	505686401	BOLT		1	
9	505632001	WASHER		2	
10	505634401	WASHER		5	

**Y** SOFF CUT X5000  
HOOD ASSEMBLY



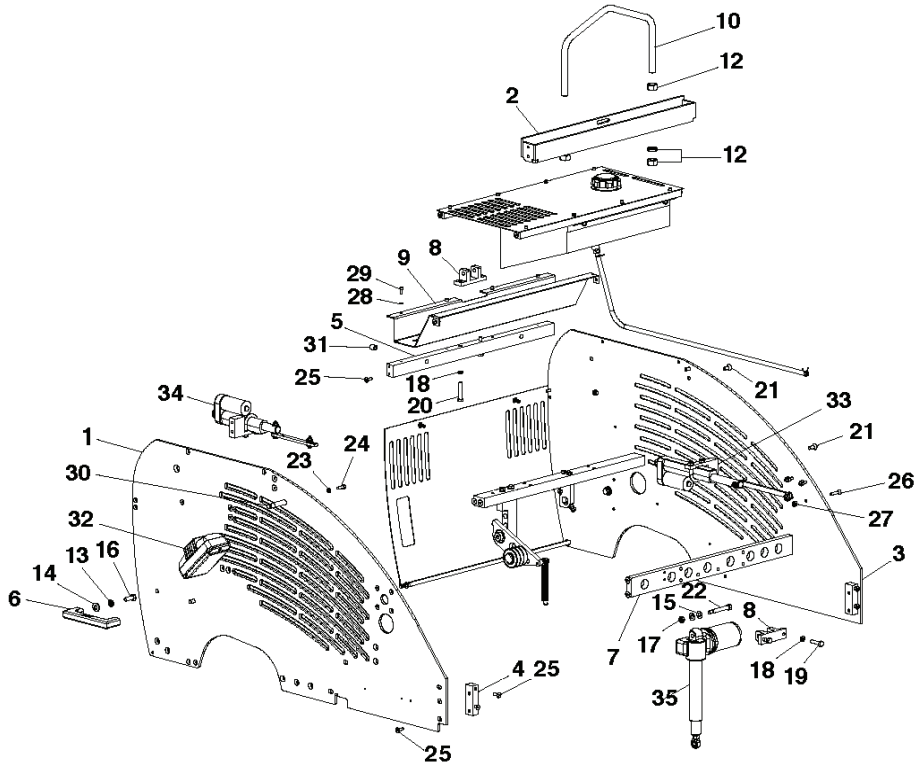
REF.	PART NO.	DESCRIPTION	REMARK	QTY.	KIT
1	505659101	BLOCK. REAR CORNER HOOD		2	
2	505659201	BLOCK		1	
3	505659301	BLOCK		1	
4	505659501	BLOCK		1	
5	505659601	ARM. HOOD LOCK		1	
6	510322701	PANEL. HOOD SKIRT		1	
7	505659701	PLATE		2	
8	505659801	PLATE. FRONT HOOD		1	
9	505659901	PLATE. REAR HOOD		1	
10	510322901	PANEL. TOP HOOD		1	
11	505660001	HOOD KNOB		1	
12	505738201	BALL JOINT		1	
13	505628201	BOLT		32	
14	505632701	WASHER		32	
15	505729901	SCREW		2	
16	505632801	WASHER		15	
17	505722301	BOLT		1	
18	505627801	BOLT		14	
19	505632001	WASHER		1	
20	505731401	WASHER		1	
21	505647801	SNAP RING		1	
22	510325601	SPRING. HOOD LATCH		1	
23	505752201	LIGHT		1	
24	505738101	DAMPER		1	

**R** SOFF CUT X5000  
MAINFRAME ASSEMBLY



REF.	PART NO.	DESCRIPTION	REMARK	QTY.	KIT
1	505657001	MAINFRAME X5000 (SEND PRINT		1	
2	505660201	SHAFT		1	
3	505656901	ARM. CROSSBAR SUPPORT		2	
4	505660601	BRACKET		1	
5	505786201	BATTERY		1	
6	505661101	FRONT PLATE		1	
7	505714201	SHAFT		1	
8	505764301	ARBOR SHAFT		1	
9	505716901	HANDLE		1	
10	505659401	BLOCK		2	
11	505869801	REAR AXLE		2	
12	505764401	ARBOR LOCK 3/4 X 2.35		1	
13	505731401	WASHER		1	
14	505737201	SPRING		1	
15	505725901	BOLT		1	
16	505630401	NUT		1	
17	505633001	WASHER		14	
18	539990209	SCREW		6	
19	505632801	WASHER		12	
20	505627501	BOLT		4	
21	505686901	BOLT		4	
22	505728101	BOLT		4	
23	539990188	WASHER		2	
24	505628801	SCREW		4	
25	505730101	SCREW		6	
26	505728401	BOLT		8	
27	505726701	BOLT		1	
28	505726601	BOLT		2	
29	505731001	WASHER		2	
30	539976941	SCREW		2	
31	505634501	WASHER		2	
32	505725001	FLT WSH 5/16 I.D. TRA 512		2	
33	505718501	GUIDE		1	
34	505636001	SPRING		1	
35	505664201	SPACER		2	
36	542206205	SNAP RING		4	
37	505871001	WHEEL ASSY		2	
40	505887701	ARM		1	

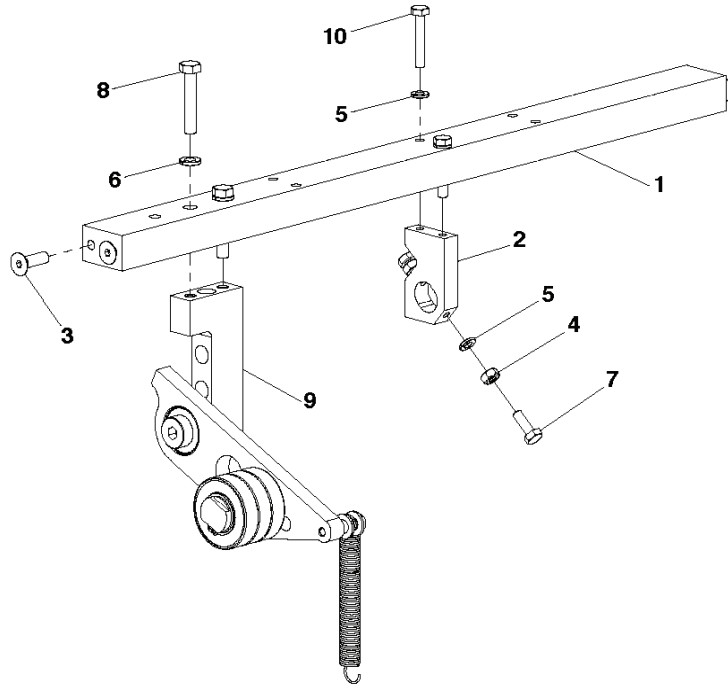
**X** SOFF CUT X5000  
PANEL ASSEMBLY



REF.	PART NO.	DESCRIPTION	REMARK	QTY.	KIT
1	505661001	PLATE		1	
2	505660901	CROSSBAR		1	
3	505661201	SIDEPLATE. LEFT		1	
4	505660501	BLOCK. PANEL CORNER MOUNT		2	
5	505758801	CROSSBAR		1	
6	505716901	HANDLE		2	
7	505756001	WHEEL		1	
8	505757001	ACTUATOR		2	
9	505661301	PANEL. REAR BIN		1	
10	505607002	BAR		1	
11	510298601	5/8-18 JAM NUT		6	
12	505731001	WASHER		4	
13	510301001	WASHER		4	
14	505634501	WASHER		2	
15	516028604	BOLT		4	
16	900000002	DUMMY PART		1	
17	505633001	WASHER		4	
18	505728401	BOLT		2	
19	510298401	5/16-18 X 1 3/4 HEX BOLT GRD5		2	
20	505628801	SCREW		12	
21	505627201	BOLT		1	
22	505632801	WASHER		1	
23	505627501	BOLT		1	
24	505628601	SCREW		14	
25	505773401	SOCKET		4	
26	539976978	NUT		6	
27	505633101	WASHER		4	
28	505729601	BOLT		4	
29	510324001	ARM		1	
30	505748301	INSERT		2	
31	505752201	LIGHT		1	
32	505848002	KIT		1	
33	505847902	KIT		1	
34	505849401	ACTUATOR		1	



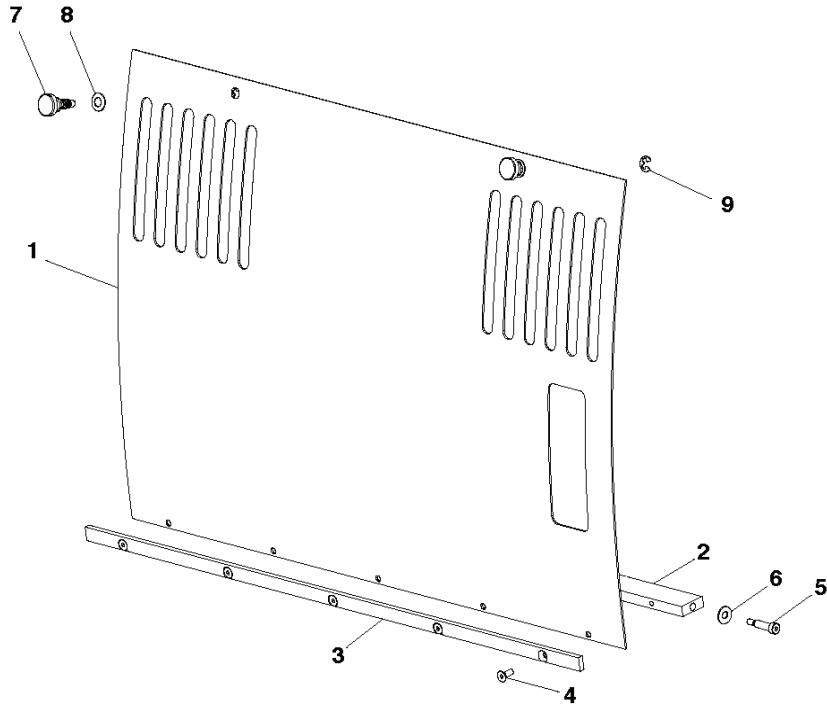
**S** SOFF CUT X5000  
PUMP CROSSBAR ASSEMBLY



---

REF.	PART NO.	DESCRIPTION	REMARK	QTY.	KIT
1	505660701	CROSSBAR		1	
2	505658301	BLOCK		1	
3	505730101	SCREW		4	
4	505631901	NUT		2	
5	505632801	WASHER		4	
6	505633001	WASHER		2	
7	505627501	BOLT		2	
8	510298401	5/16-18 X 1 3/4 HEX BOLT GRD5		2	
9	510271801	BELT TENSIONER ASSY		1	
10	505728301	BOLT		2	

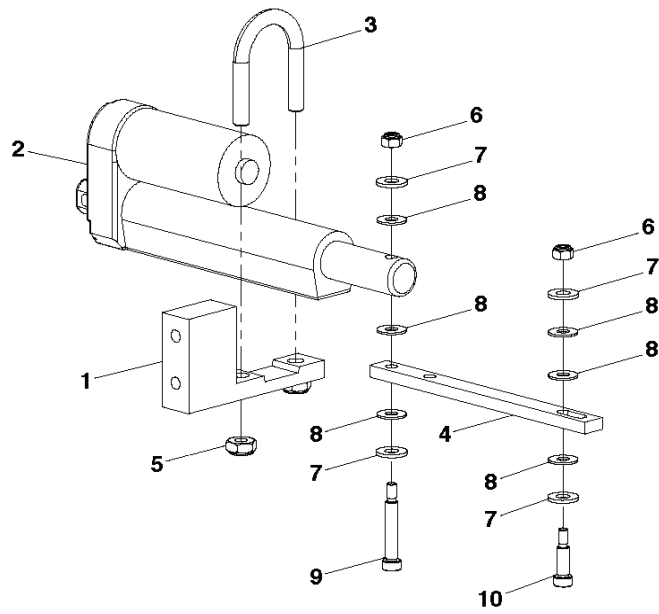
**T** SOFF CUT X5000  
REAR ACCESS ASSEMBLY



---

REF.	PART NO.	DESCRIPTION	REMARK	QTY.	KIT
1	505791601	PANEL		1	
2	505660801	CROSSBAR		1	
3	505767101	BRACE		1	
4	505729901	SCREW		5	
5	505725801	BOLT		2	
6	505634401	WASHER		2	
7	505536301	KNOB		2	
8	505536401	WASHER		2	
9	505536501	E-CLIP		2	

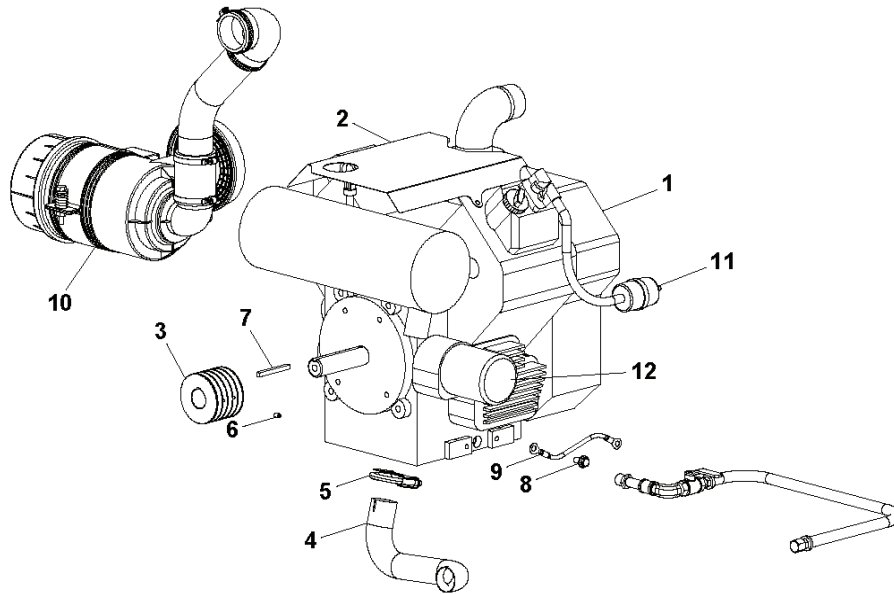
**V** SOFF CUT X5000  
KIT, THROTTLE ACTUATOR



---

REF.	PART NO.	DESCRIPTION	REMARK	QTY.	KIT
1	505792401	BRACKET		1	
2	505847902	KIT	Complete Throttle Actuator	1	
3	575421301	CLAMP		1	
4	505792201	LINKAGE		1	
5	505631701	NUT		2	
6	505630401	NUT		2	
7	505632001	WASHER		4	
8	505634401	WASHER		4	
9	505811701	BOLT		1	
10	505725701	BOLT		1	

**A** SOFF CUT X5000  
ENGINE ASSEMBLY

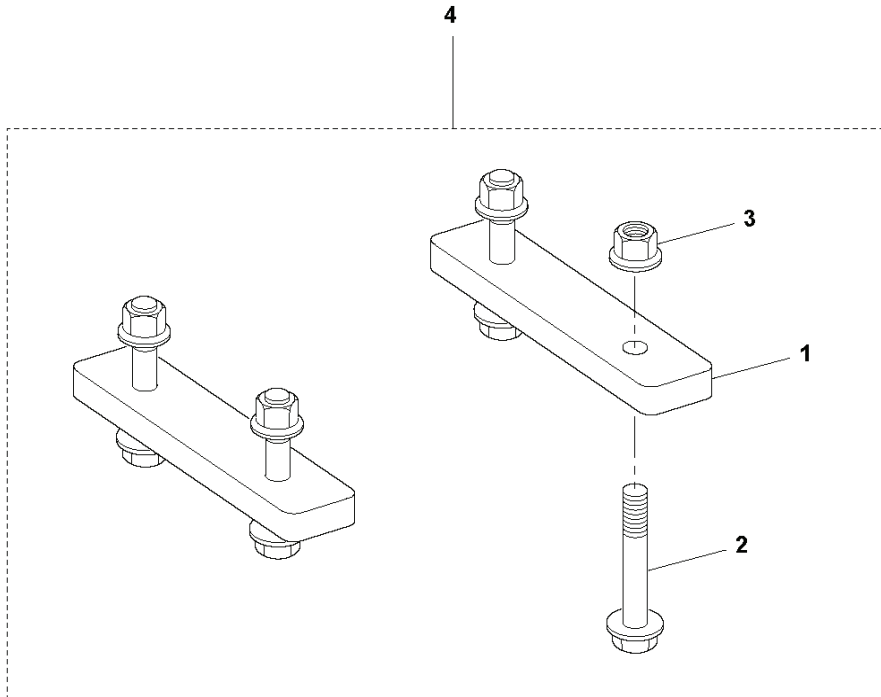


---

REF.	PART NO.	DESCRIPTION	REMARK	QTY.	KIT
1	505666502	ENGINE		1	
2	510323701	SHROUD		1	
3	510326001	PULLEY		1	
4	510325901	EXHAUST		1	
5	510327101	CLAMP		1	
6	542020541	KEY		4	
7	542199045	KEY		1	
8	505795601	BOLT		1	
9	575446605	KIT		1	
10	900000002	DUMMY PART			
11	505798201	FUEL FILTER		1	
12	505797401	OIL FILTER		1	



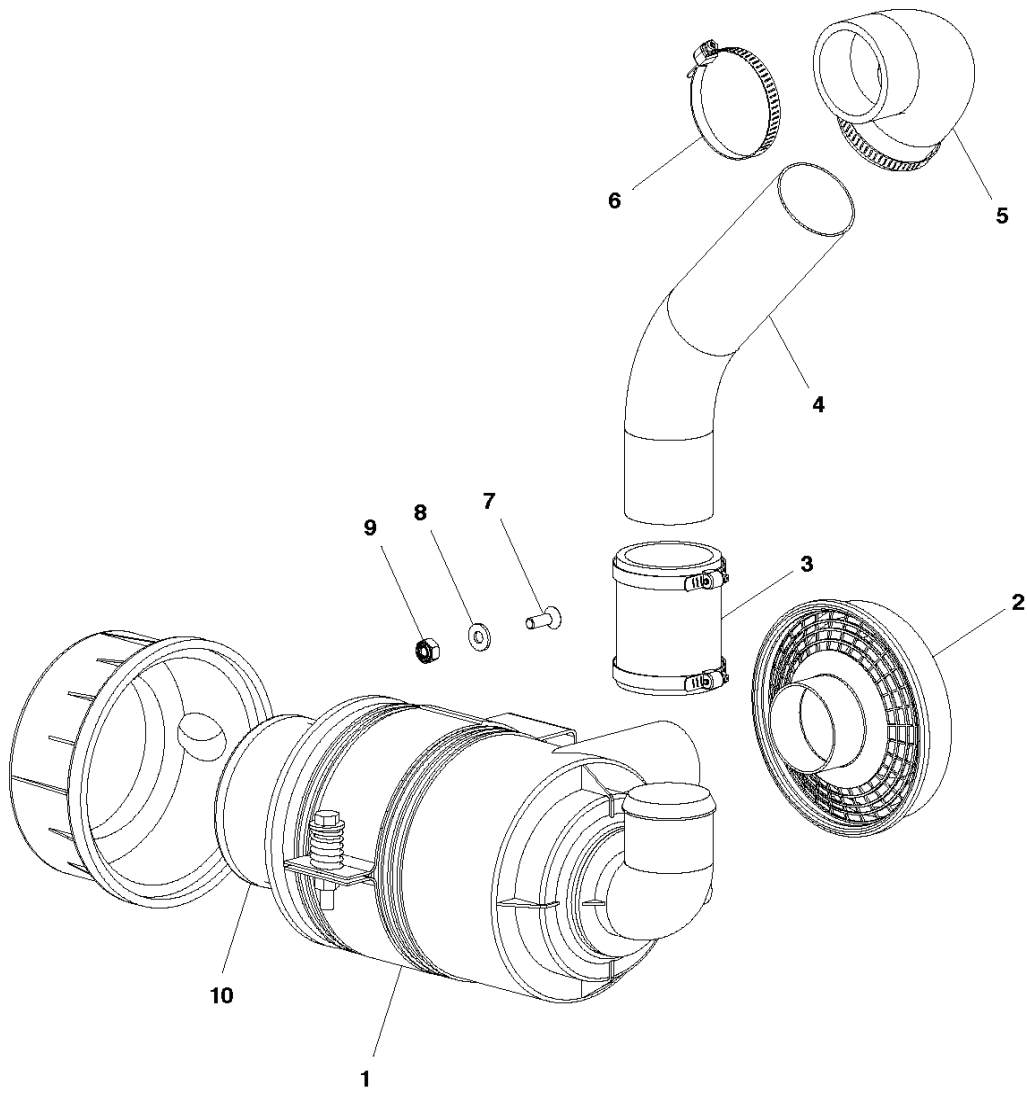
**B** SOFF CUT X5000  
KIT, MOTOR MOUNT



---

REF.	PART NO.	DESCRIPTION	REMARK	QTY.	KIT
1	501080601	PLATE		2	
2	581243301	SCREW EHHFM		4	
3	576645705	NUT FLANGE		4	
4	582238701	MOTOR KIT		1	

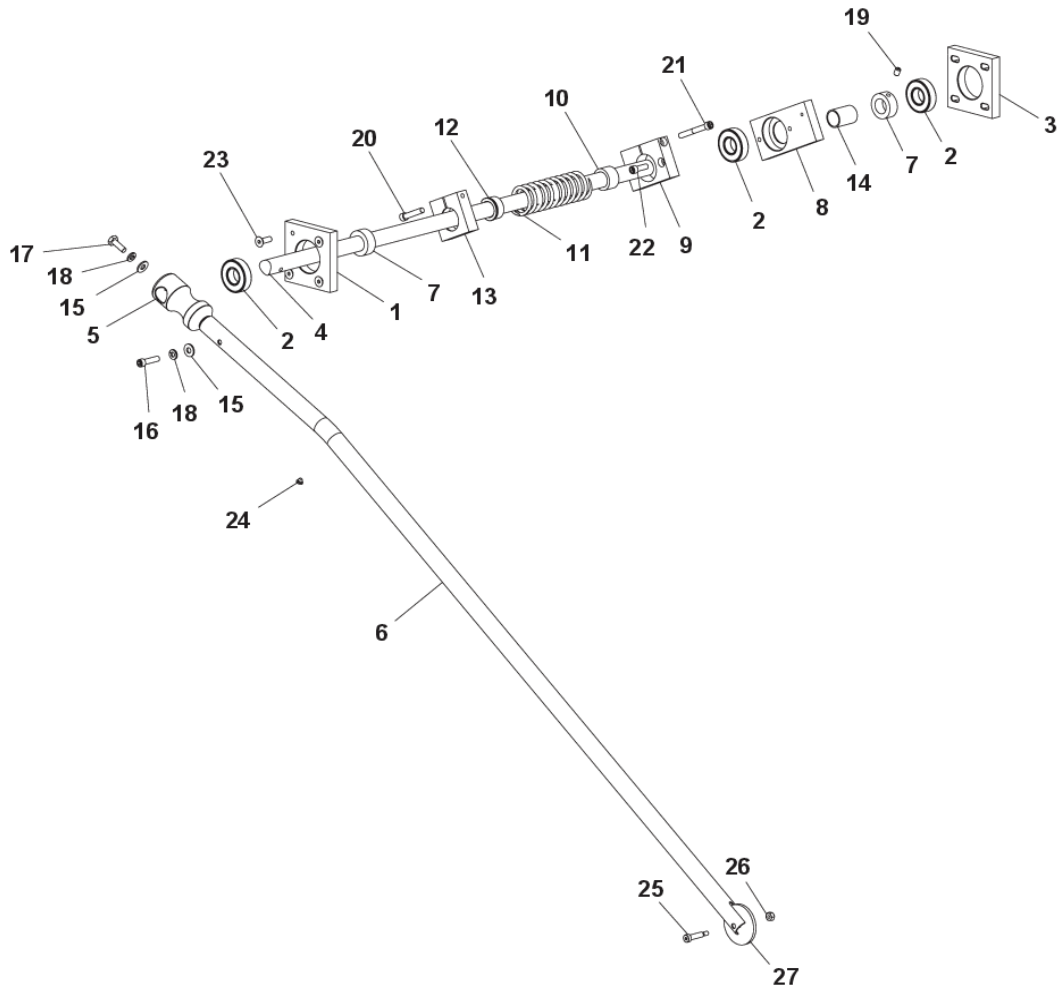
**C** SOFF CUT X5000  
INTAKE SYSTEM ASSEMBLY



---

REF.	PART NO.	DESCRIPTION	REMARK	QTY.	KIT
1	505836101	AIR CLEANER		1	
2	505836301	HOOD		1	
3	575654203	HOSE		1	
4	510323901	INTAKE ELBOW		1	
5	505745002	ELBOW		1	
6	505776001	HOSE CLAMP		4	
7	505628601	SCREW		2	
8	505632001	WASHER		2	
9	539976978	NUT		2	
10	505482306	FILTER		1	

**SOFF CUT X5000  
GUIDE ARM ASSEMBLY**



---

REF.	PART NO.	DESCRIPTION	REMARK	QTY.	KIT
1	505713701	PLATE		1	
2	505736101	BALL BEARING		3	
3	505713801	PLATE		1	
4	505664101	SHAFT		1	
5	505769901	GUIDE		1	
6	599777301	GUIDE		1	
7	505718401	SHAFT		2	
8	505717101	BLOCK		1	
9	505717201	BLOCK		1	
10	505717501	BUSHING		1	
11	505774901	GUIDE		1	
12	505717401	BUSHING		1	
13	505717301	BLOCK		1	
14	505716201	BUSHING		1	
15	505632001	WASHER		2	
16	505627901	BOLT		1	
17	505627501	BOLT		1	
18	505632801	WASHER		2	
19	542020568	SCREW		2	
20	505628001	BOLT		1	
21	505728901	BOLT		1	
22	505627801	BOLT		2	
23	505628601	SCREW		4	
24	505775701	BUMPER		1	
25	505771701	BOLT		1	
26	505630401	NUT		1	
27	505614201	DISC		1	