

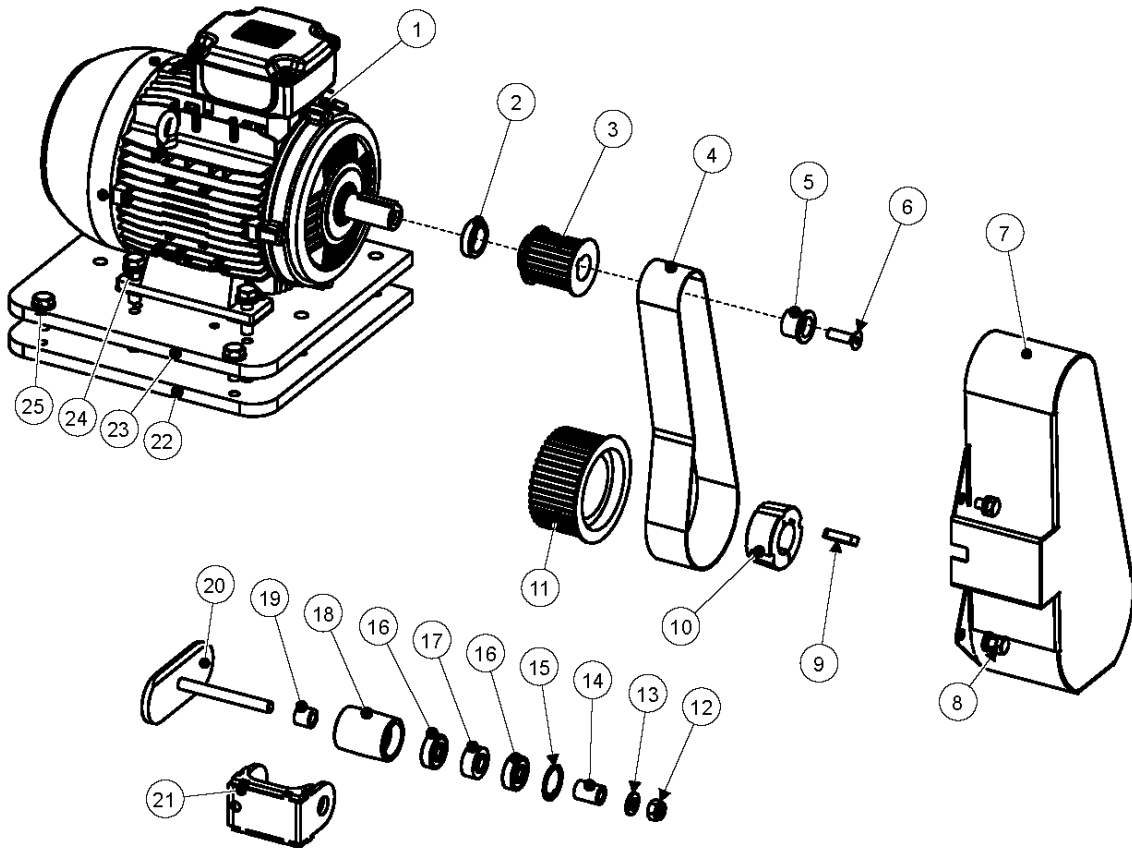


# SPARE PARTS LIST

SCARIFIER

BMP 265, 2022-04

BMP 265  
E-DRIVE

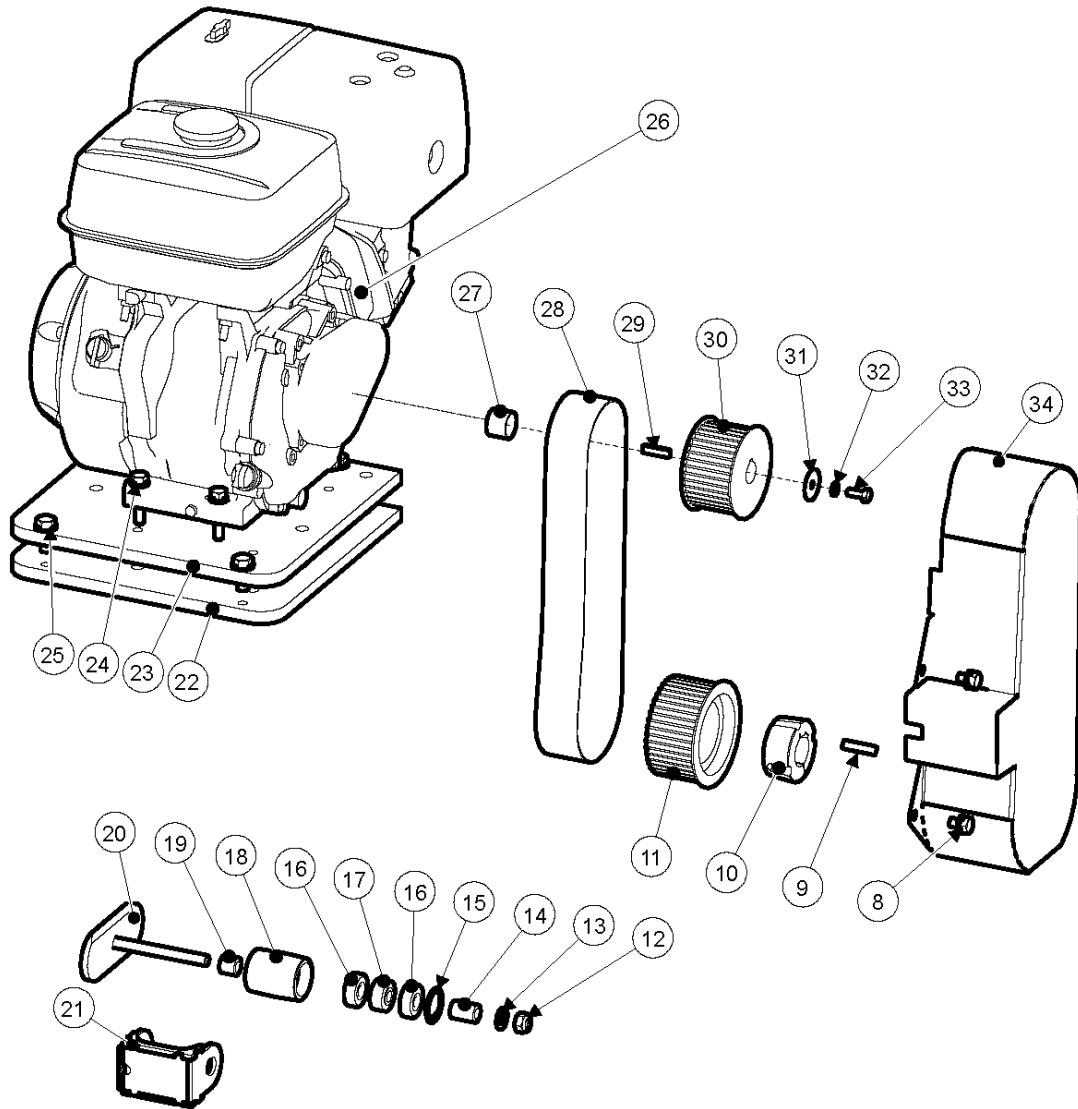


## DRIVE UNIT

BMP 265, 2022-04

Ref	Part No	Description	Remark	QTY KIT
1	534 71 41-01	MOTOR	MOTOR	1
2	535 36 19-01	RING	RING	1
3	534 79 10-01	PULLEY	PULLEY	1
4	533 12 54-01	BELT	BELT	1
5	534 58 00-01	BUSH	BUSH	1
6	900 00 00-02	DUMMY PART	DUMMY PART	1
7	534 32 03-01	BELT COVER	BELT COVER	1
8	900 00 00-02	DUMMY PART	DUMMY PART	4
9	533 46 01-01	KEY	KEY	1
10	533 43 90-01	BUSHING	BUSHING	1
11	534 79 13-01	PULLEY	PULLEY	1
11	533 09 92-01	PULLEY	PULLEY	1
12	900 00 00-02	DUMMY PART	DUMMY PART	1
13	900 00 00-02	DUMMY PART	DUMMY PART	1
14	534 51 45-01	BUSH	BUSH	1
15	900 00 00-02	DUMMY PART	DUMMY PART	1
16	534 31 21-01	BEARING	BEARING	2
17	534 51 51-01	BUSH	BUSH	1
18	534 89 41-01	PULLEY	PULLEY	1
19	534 51 46-01	BUSH	BUSH	1
20	534 89 37-01	BRACKET	BRACKET	1
21	534 78 53-01	BRACKET	BRACKET	1
22	535 22 67-01	ENGINE PLATE	ENGINE PLATE	1
23	535 22 68-01	ENGINE PLATE	ENGINE PLATE	1
24	900 00 00-02	DUMMY PART	DUMMY PART	4

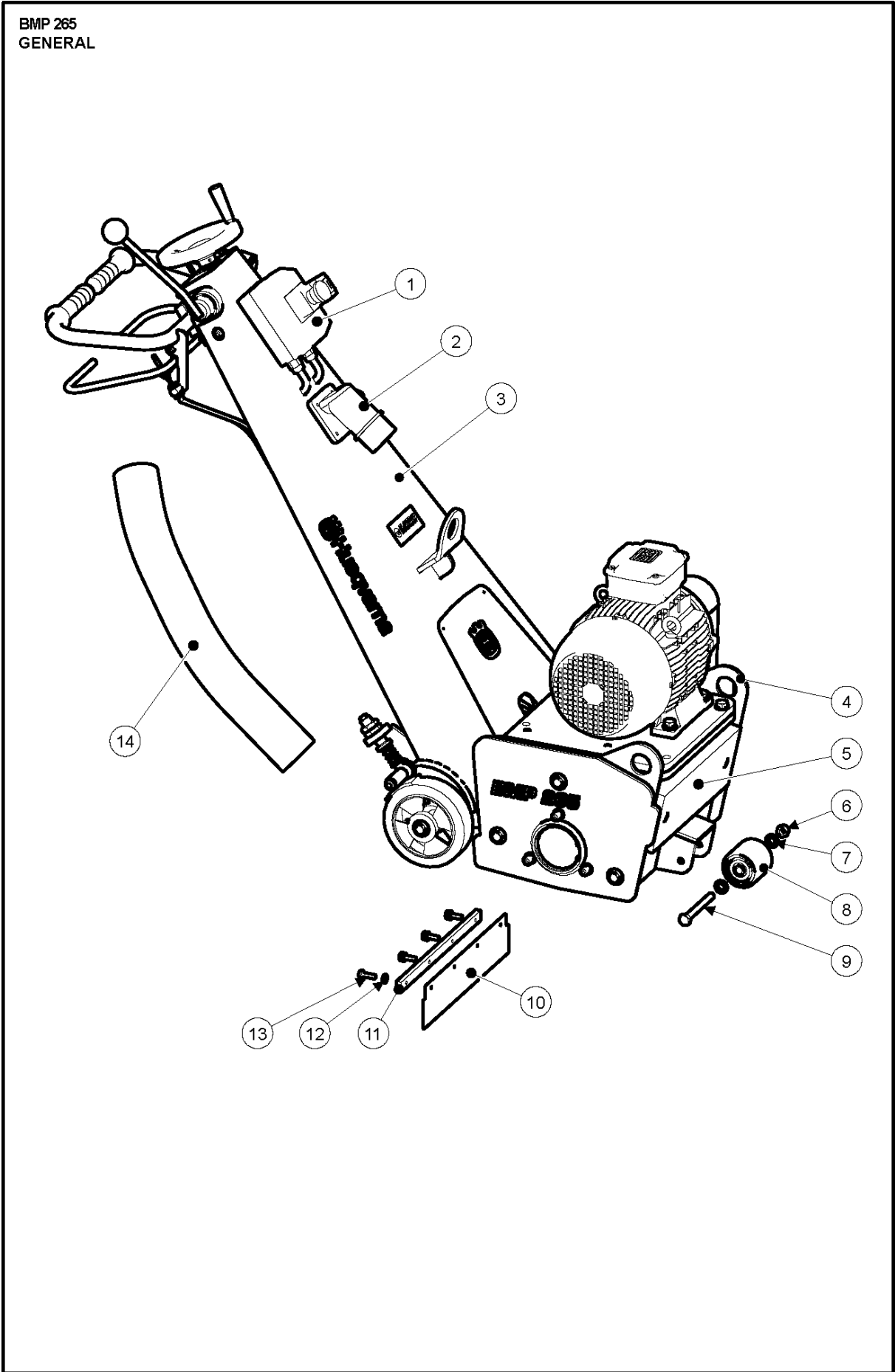
BMP 265  
P-DRIVE



DRIVE UNIT

BMP 265, 2022-04

Ref	Part No	Description	Remark	QTY KIT
25	900 00 00-02	DUMMY PART	DUMMY PART	4
26	534 62 62-01	MOTOR	MOTOR	1
27	535 34 72-01	BUSH	BUSH	1
28	534 63 64-01	BELT	BELT	1
29	534 65 03-01	KEY	KEY	1
30	534 79 14-01	PULLEY	PULLEY	1
31	900 00 00-02	DUMMY PART	DUMMY PART	1
32	900 00 00-02	DUMMY PART	DUMMY PART	1
33	900 00 00-02	DUMMY PART	DUMMY PART	1
34	534 32 02-01	BELT COVER	BELT COVER	1

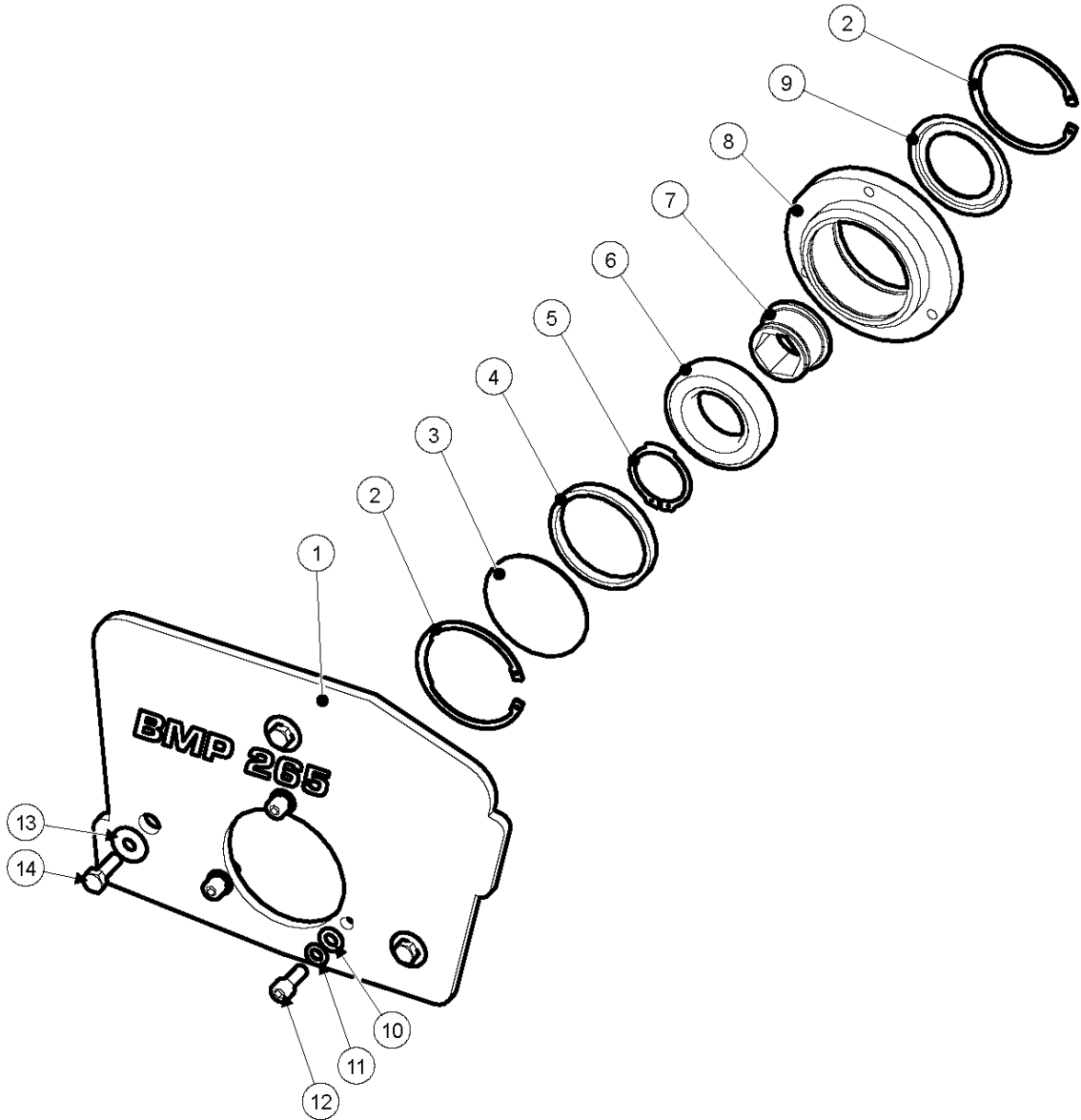


## CHASSIS

BMP 265, 2022-04

Ref	Part No	Description	Remark	QTY KIT
1	534 54 96-01	ELECTRICAL SYSTEM	ELECTRICAL SYSTEM	1
2	534 38 61-01	FREQUENCY INVERTER	FREQUENCY INVERTER	1
3	534 69 85-01	FRAME	FRAME	1
4	535 21 90-01	HOUSING	HOUSING	1
5	535 21 88-01	WEIGHT	WEIGHT	1
6	900 00 00-02	DUMMY PART	DUMMY PART	1
7	900 00 00-02	DUMMY PART	DUMMY PART	2
8	533 54 32-01	WHEEL	WHEEL	1
9	900 00 00-02	DUMMY PART	DUMMY PART	1
10	534 81 47-01	GASKET	GASKET	1
11	534 39 28-01	CLAMP	CLAMP	2
12	900 00 00-02	DUMMY PART	DUMMY PART	4
13	900 00 00-02	DUMMY PART	DUMMY PART	4
14	534 06 62-01	HOSE	HOSE	1

**BMP 265**  
**SIDE PLATE & BEARING UNIT**



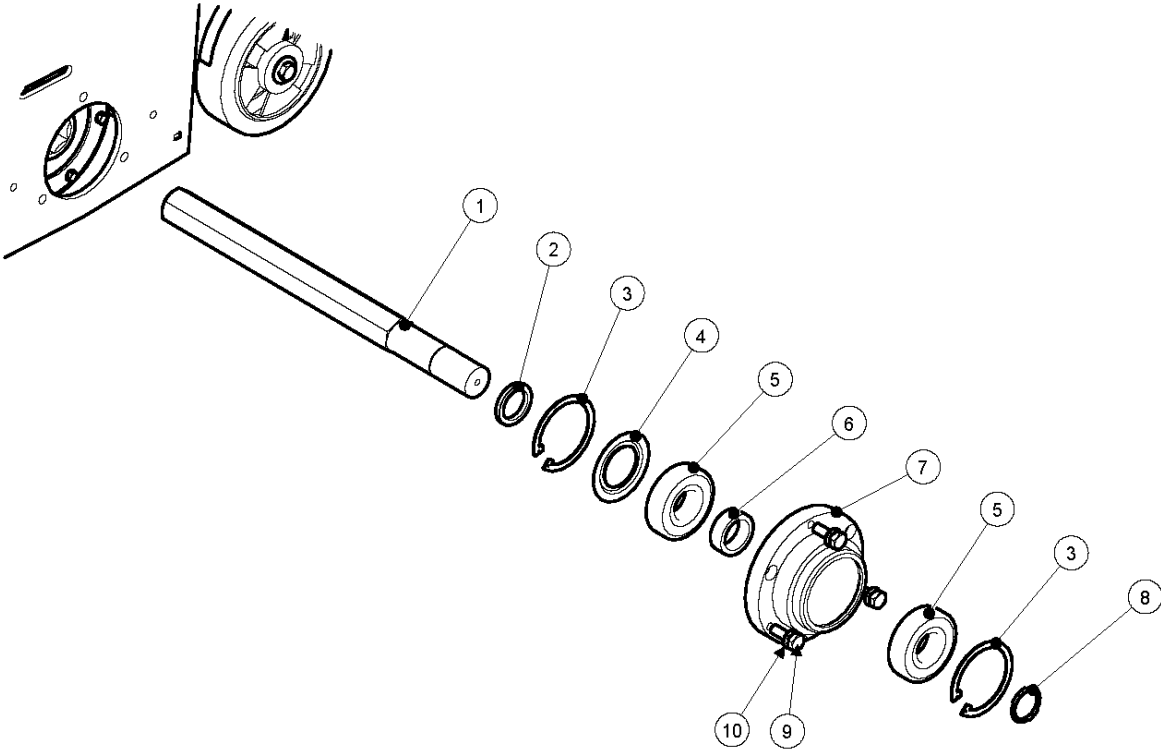


## BEARING HOUSING

BMP 265, 2022-04

Ref	Part No	Description	Remark	QTY KIT
1	534 84 16-01	PLATE	PLATE	1
2	900 00 00-02	DUMMY PART	DUMMY PART	2
3	533 54 63-01	COVER	COVER	1
4	533 01 57-01	RING	RING	1
5	533 22 05-01	RING	RING	1
6	533 54 97-01	BEARING	BEARING	2
7	533 65 80-01	SUPPORT	SUPPORT	1
8	533 66 60-01	BEARING HOUSING	BEARING HOUSING	1
9	533 53 55-01	RING	RING	1
10	533 26 87-01	WASHER	WASHER	3
11	533 32 11-01	WASHER	WASHER	3
12	533 76 32-01	SCREW	SCREW	3
13	534 06 41-01	WASHER	WASHER	3
14	534 67 85-01	SCREW	SCREW	3
15	533 62 15-01	BEARING	BEARING	1

BMP 265  
LEFT BEARING UNIT, COMPLETE

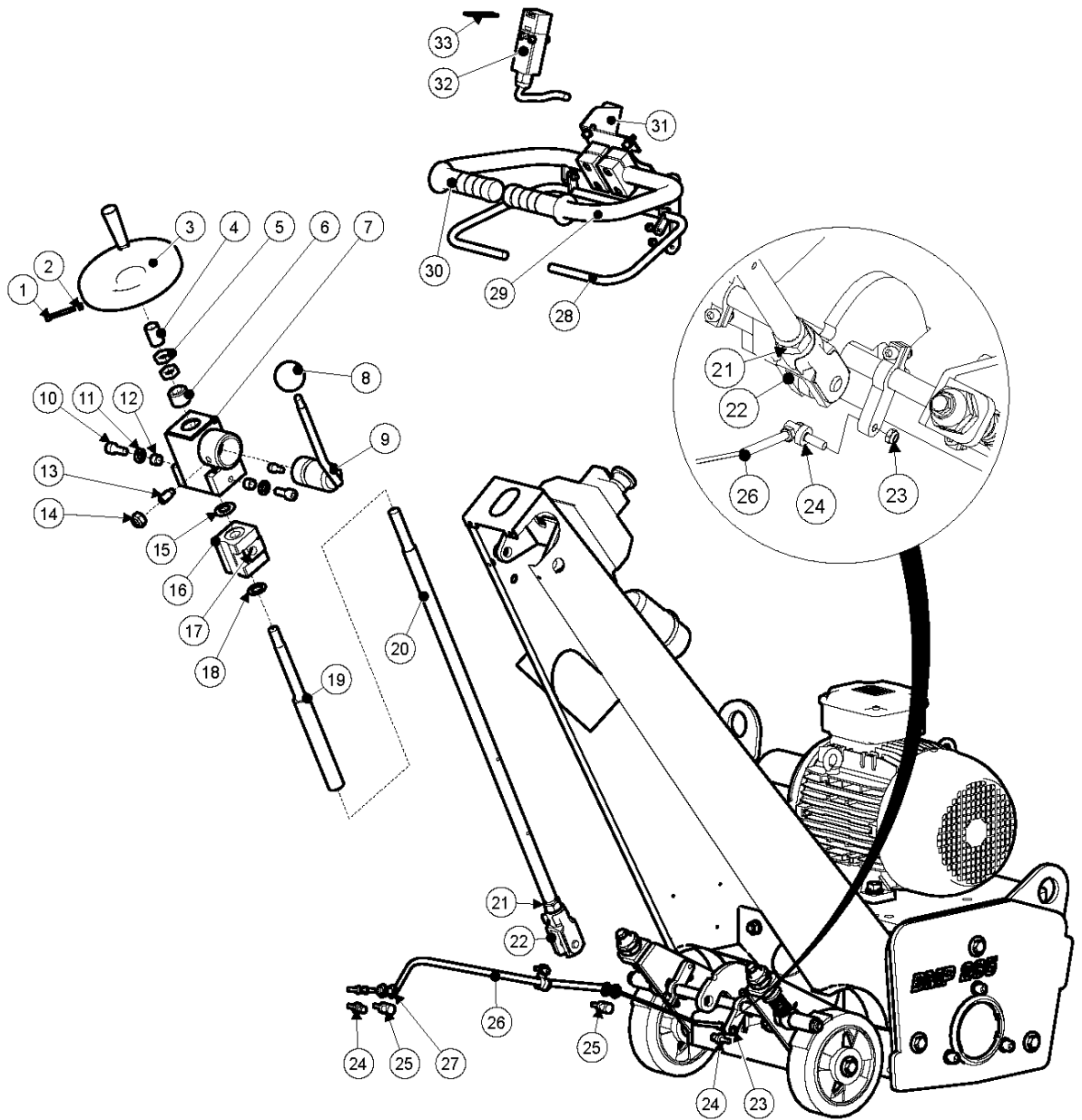


## BEARING HOUSING

BMP 265, 2022-04

Ref	Part No	Description	Remark	QTY KIT
1	534 62 39-01	DRIVE SHAFT	DRIVE SHAFT	1
2	534 51 56-01	RING	RING	1
3	533 34 40-01	CIRCLIP	CIRCLIP	2
4	533 53 56-01	RING	RING	1
5	533 54 96-01	BEARING	BEARING	2
6	533 54 59-01	BUSHING	BUSHING	1
7	533 93 55-01	BEARING HOUSING	BEARING HOUSING	1
8	533 00 17-01	SHAFT	SHAFT	1
9	900 00 00-02	DUMMY PART	DUMMY PART	3
10	900 00 00-02	DUMMY PART	DUMMY PART	3
11	534 57 53-01	UNIT	UNIT	1

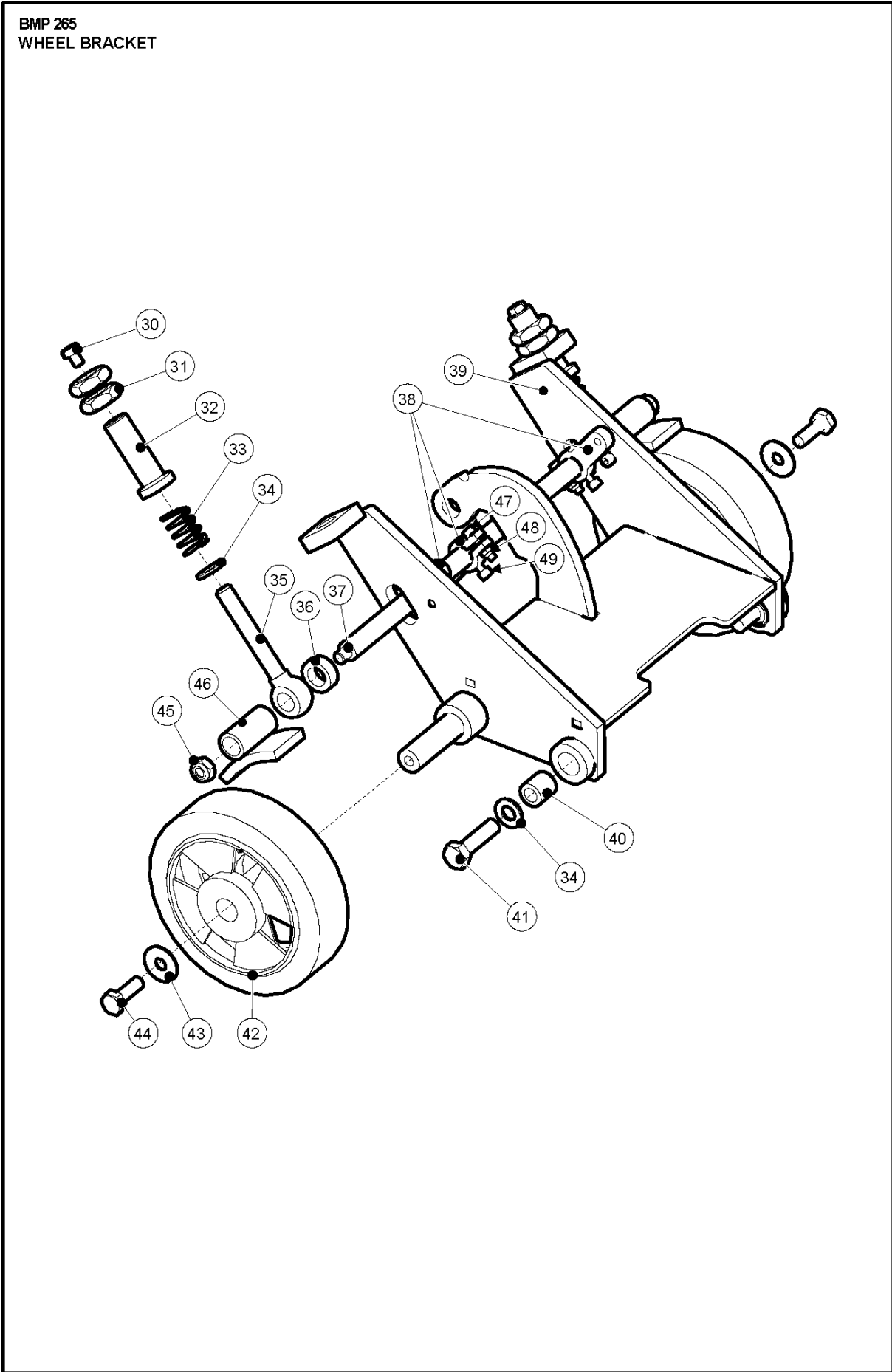
**BMP 265  
LIFTING DEVICE**



## LIFTING SYSTEM

BMP 265, 2022-04

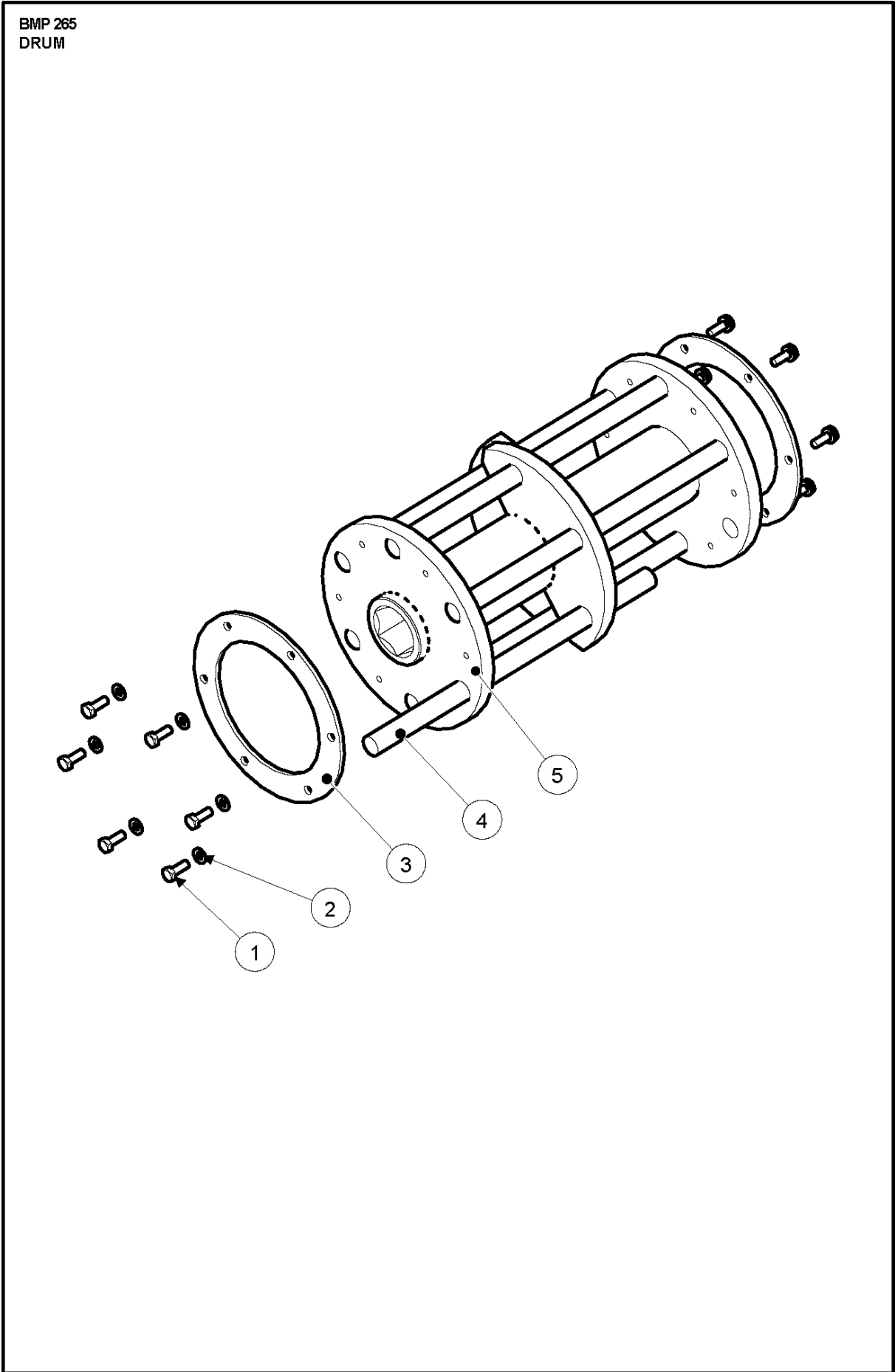
Ref	Part No	Description	Remark	QTY KIT
1	900 00 00-02	DUMMY PART	DUMMY PART	1
2	534 68 90-01	NUT	NUT	1
3	535 35 25-01	WHEEL	WHEEL	1
4	534 37 22-01	BUSH	BUSH	1
5	534 68 63-01	NUT	NUT	2
6	534 51 44-01	BUSH	BUSH	1
7	535 26 07-01	HANDLE	HANDLE	1
8	533 74 24-01	KNOB	KNOB	1
9	534 78 95-01	LEVER	LEVER	1
10	900 00 00-02	DUMMY PART	DUMMY PART	2
11	900 00 00-02	DUMMY PART	DUMMY PART	2
12	534 37 21-01	BUSH	BUSH	2
13	900 00 00-02	DUMMY PART	DUMMY PART	1
14	900 00 00-02	DUMMY PART	DUMMY PART	1
15	900 00 00-02	DUMMY PART	DUMMY PART	1
16	534 84 68-01	BLOCK	BLOCK	1
17	534 84 73-01	BLOCK	BLOCK	1
18	900 00 00-02	DUMMY PART	DUMMY PART	1
19	534 85 87-01	SLEEVE	SLEEVE	1
20	534 86 57-01	SPINDLE	SPINDLE	1
21	900 00 00-02	DUMMY PART	DUMMY PART	1
22	534 58 78-01	HEAD	HEAD	1
23	900 00 00-02	DUMMY PART	DUMMY PART	10
24	534 37 79-01	CABLE HOLDER	CABLE HOLDER	2
25	534 37 80-01	CABLE HOLDER	CABLE HOLDER	2
26	534 37 63-01	CABLE	CABLE	1
27	534 67 71-01	NUT	NUT	4
28	534 36 59-01	HANDLE	HANDLE	1
29	534 61 10-01	BAR	BAR	1
30	534 61 29-01	HANDLE	HANDLE	2
31	534 61 37-01	MOUNTING PLATE	MOUNTING PLATE	1
32	533 88 94-01	SWITCH	SWITCH	1
32	533 38 74-01	SWITCH	SWITCH	1
33	533 28 91-01	KEY	KEY	1



## WHEEL BRACKET, LOWER

BMP 265, 2022-04

Ref	Part No	Description	Remark	QTY KIT
30	900 00 00-02	DUMMY PART	DUMMY PART	2
31	533 24 45-01	HEXAGON NUT	HEXAGON NUT	4
32	534 86 12-01	SPRING	SPRING	2
33	534 86 90-01	SPRING	SPRING	2
34	900 00 00-02	DUMMY PART	DUMMY PART	4
35	534 57 13-01	EYE BOLT	EYE BOLT	2
36	535 90 20-01	RING	RING	2
37	534 36 55-01	AXLE	AXLE	1
38	534 66 62-01	LEVER	LEVER	3
39	535 26 04-01	WHEEL BRACKET	WHEEL BRACKET	1
40	533 18 34-01	BUSHING	BUSHING	2
41	900 00 00-02	DUMMY PART	DUMMY PART	2
42	533 77 12-01	WHEEL	WHEEL	2
43	534 67 73-01	WASHER	WASHER	2
44	900 00 00-02	DUMMY PART	DUMMY PART	2
45	900 00 00-02	DUMMY PART	DUMMY PART	2
46	534 36 62-01	BRAKE SHOE	BRAKE SHOE	2
47	900 00 00-02	DUMMY PART	DUMMY PART	3
48	900 00 00-02	DUMMY PART	DUMMY PART	3
49	900 00 00-02	DUMMY PART	DUMMY PART	5





Ref	Part No	Description	Remark	QTY KIT
1	534 69 23-01	SCREW	SCREW	12
2	534 69 15-01	WASHER	WASHER	12
3	534 80 56-01	PLATE	PLATE	2
4	534 53 71-01	SHAFT	SHAFT	6
5	900 00 00-02	DUMMY PART	DUMMY PART	1
6	533 12 46-01	TOOL	TOOL	1
7	533 47 79-01	UNIT	UNIT	1
8	534 80 28-01	REPAIR KIT	REPAIR KIT	1