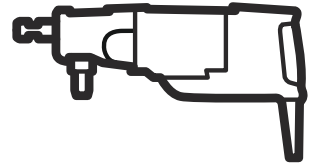




# Husqvarna®



## DM 230

EN	Operator's manual	2-24
FR	Manuel d'utilisation	25-49
NL	Gebbruiksaanwijzing	50-73
DE	Bedienungsanweisung	74-98

---

# Contents

---

Introduction.....	2	Technical data.....	20
Safety.....	4	Accessories.....	21
Operation.....	10	Service.....	21
Maintenance.....	16	Declaration of Conformity.....	22
Troubleshooting.....	18	Registered trademarks.....	24
Transportation and storage.....	19		

---

## Introduction

---

### Product description

This Husqvarna drill motor is an electric handheld diamond core drill. It can be used dry or wet in all approved materials. Refer to *Intended use on page 2*.

The diamond drill bit is a hollow drill that has diamond segments.

If you drill wet, the water goes through the ball valve, hose and the diamond drill bit. The water flushes the drilled material out of the slot and decreases the temperature in the drill bit. Use a dust extractor and a ring that collects the water to remove the water again.

If you drill dry, use a dust extractor to remove the material through the drill bit and the dust extractor

connection. This will decrease the temperature in the drill bit.

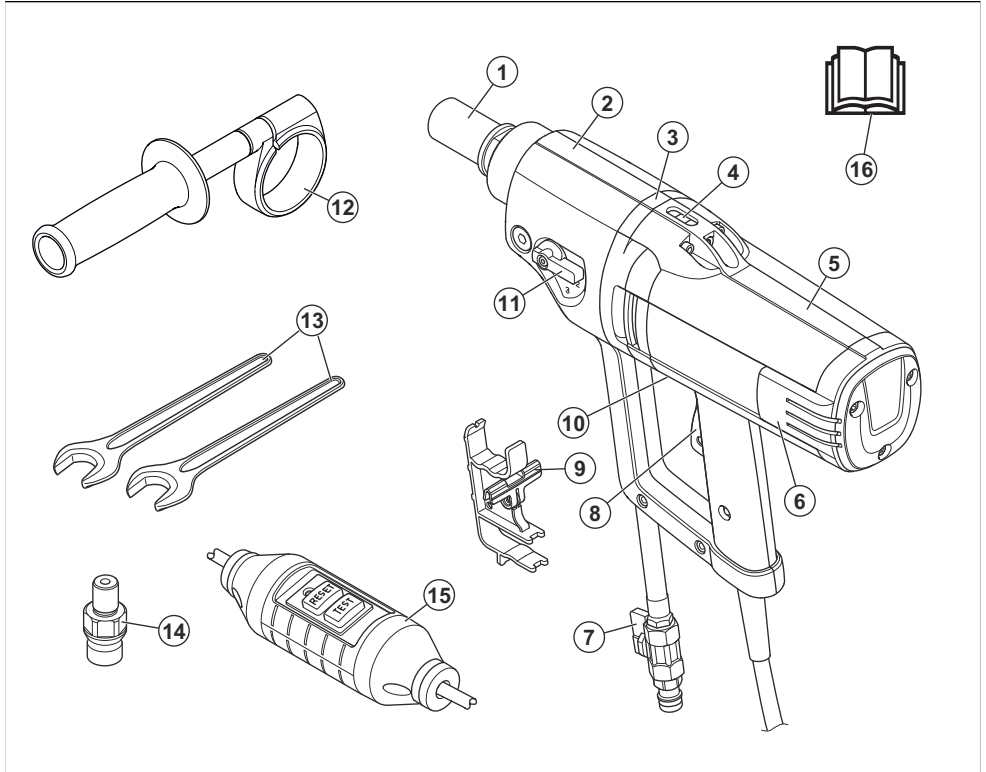
This product has a Smartstart™ function. Refer to *To drill a start hole with the Smartstart™ function on page 15*.

### Intended use

The product is used to drill concrete, brick and rock. All other use is incorrect.

The product is used in industrial operations by operators with experience.

## Product overview



1. Drill spindle
2. Gearbox
3. Leakage hole
4. Spirit level
5. Motor module
6. Inspection cover
7. Water connector
8. Power switch
9. Trigger lock bracket
10. Smartstart™
11. Gear knob
12. Auxiliary handle and adapter
13. Wrenches
14. Adapter coupling (North America only)
15. PRCD

**Note:** In this manual we use the term PRCD for PRCD and GFCI.

16. Operator's manual

## Symbols on the product



**WARNING!** This product can be dangerous and cause serious injury or death to the operator or others. Be careful and use the product correctly.



Read the operator's manual carefully and make sure that you understand the instructions before you use this product.



Always use approved personal protective equipment. Refer to *Personal protective equipment* on page 8.



This product complies with applicable EC directives.



**Environmental mark.** The product or package of the product is not domestic waste. Recycle it at an approved disposal location for electrical and electronic equipment.



Make sure that water cannot leak into the product when you drill in the ceiling. Use an applicable water collector.

**Note:** Other symbols/decals on the product refer to special certification requirements for some markets.

---

## Safety

---

### Safety definitions

Warnings, cautions and notes are used to point out specially important parts of the manual.



**WARNING:** Used if there is a risk of injury or death for the operator or bystanders if the instructions in the manual are not obeyed.



**CAUTION:** Used if there is a risk of damage to the product, other materials or the adjacent area if the instructions in the manual are not obeyed.

**Note:** Used to give more information that is necessary in a given situation.

### General power tool safety warnings



**WARNING:** Read all safety warnings, instructions, illustrations and specifications provided with this power tool. Failure to follow all instructions listed below may result in electric shock, fire and/or serious injury.

**Save all warnings and instructions for future reference.** The term "power tool" in the warnings refers to your mains-operated (corded) power tool or battery-operated (cordless) power tool.

### Work area safety

- **Keep work area clean and well lit.** Cluttered or dark areas invite accidents.
- **Do not operate power tools in explosive atmospheres, such as in the presence of flammable liquids, gases or dust.** Power tools create sparks which may ignite the dust or fumes.

### Product damage

We are not responsible for damages to our product if:

- the product is incorrectly repaired.
- the product is repaired with parts that are not from the manufacturer or not approved by the manufacturer.
- the product has an accessory that is not from the manufacturer or not approved by the manufacturer.
- the product is not repaired at an approved service center or by an approved authority.

- **Keep children and bystanders away while operating a power tool.** Distractions can cause you to lose control.

### Electrical safety



**WARNING:** There is always a risk of shocks from electrical products. Do not use the product in bad weather conditions. Prevent that your body touches lightning conductors and metal objects. Always follow the instructions in the Operator's manual to prevent damage.



**WARNING:** Do not clean the product with water. Water can enter the electrical system or the engine and cause damage to the product or short circuit.



**WARNING:** Do not use the product without the RDC provided with the tool.

- Power tool plugs must match the outlet. Never modify the plug in any way. Do not use any adapter plugs with earthed (grounded) power tools. Unmodified plugs and matching outlets will reduce risk of electric shock.
- Avoid body contact with earthed or grounded surfaces, such as pipes, radiators, ranges and refrigerators. There is an increased risk of electric shock if your body is earthed or grounded.
- If operating a power tool in a damp location is unavoidable, use a residual current device (RCD) protected supply. Use of an RCD reduces the risk of electric shock. An RCD with the action current less than 30mA is recommended.
- Only connect the product to correctly grounded outlet.

- Check that the mains voltage and fusing corresponds with that stated on the rating plate on the machine.
- Make sure that the cord and extension cable are not damaged and in good condition.
- When operating a power tool outdoors, use an extension cord suitable for outdoor use. Use of a cord suitable for outdoor use reduces the risk of electric shock.
- Do not use the product if the cord is damaged, hand it in to an approved service center for repair. A damaged cable can cause dangerous injury and in worst case kill.
- Make sure that the extension cable is folded out to prevent overheating before you use it.
- Do not abuse the cord. Never use the cord for carrying, pulling or unplugging the power tool. Keep cord away from heat, oil, sharp edges or moving parts. Damaged or entangled cords increase the risk of electric shock.
- Do not expose power tools to rain or wet conditions. Water entering a power tool will increase the risk of electric shock.
- Make sure that the cord is behind you when you start to use the product. This is to not make damage to the cord.
- **Do not expose power tools to rain or wet conditions.** Water entering a power tool will increase the risk of electric shock
- **Do not abuse the cord. Never use the cord for carrying, pulling or unplugging the power tool. Keep cord away from heat, oil, sharp edges or moving parts.** Damaged or entangled cords increase the risk of electric shock
- **When operating a power tool outdoors, use an extension cord suitable for outdoor use.** Use of a cord suitable for outdoor use reduces the risk of electric shock.

## Personal safety

- **Stay alert, watch what you are doing and use common sense when operating a power tool. Do not use a power tool while you are tired or under the influence of drugs, alcohol or medication.** A moment of inattention while operating power tools may result in serious personal injury.
- **Use personal protective equipment. Always wear eye protection.** Protective equipment such as dust mask, non-skid safety shoes, hard hat or hearing protection used for appropriate conditions will reduce personal injuries.
- **Prevent unintentional starting. Ensure the switch is in the off-position before connecting to power source and/or battery pack, picking up or carrying the tool.** Carrying power tools with your finger on the switch or energising power tools that have the switch on invites accidents.
- **Remove any adjusting key or wrench before turning the power tool on.** A wrench or a key left attached to a rotating part of the power tool may result in personal injury.
- **Do not overreach. Keep proper footing and balance at all times.** This enables better control of the power tool in unexpected situations.
- **Dress properly. Do not wear loose clothing or jewellery. Keep your hair and clothing away from moving parts.** Loose clothes, jewellery or long hair can be caught in moving parts.
- **If devices are provided for the connection of dust extraction and collection facilities, ensure these are connected and properly used.** Use of dust collection can reduce dust-related hazards.
- **Do not let familiarity gained from frequent use of tools allow you to become complacent and ignore tool safety principles.** A careless action can cause severe injury within a fraction of a second.

## Power tool use and care

- **Do not force the power tool. Use the correct power tool for your application.** The correct power tool will do the job better and safer at the rate for which it was designed.
- **Do not use the power tool if the switch does not turn it on and off.** Any power tool that cannot be controlled with the switch is dangerous and must be repaired.
- **Disconnect the plug from the power source and/or remove the battery pack, if detachable, from the power tool before making any adjustments, changing accessories, or storing power tools.** Such preventive safety measures reduce the risk of starting the power tool accidentally.
- **Store idle power tools out of the reach of children and do not allow persons unfamiliar with the power tool or these instructions to operate the power tool.** Power tools are dangerous in the hands of untrained users.
- **Maintain power tools and accessories. Check for misalignment or binding of moving parts, breakage of parts and any other condition that may affect the power tool's operation. If damaged, have the power tool repaired before use.** Many accidents are caused by poorly maintained power tools.
- **Keep cutting tools sharp and clean.** Properly maintained cutting tools with sharp cutting edges are less likely to bind and are easier to control.
- **Use the power tool, accessories and tool bits etc. in accordance with these instructions, taking into account the working conditions and the work to be performed.** Use of the power tool for operations different from those intended could result in a hazardous situation.
- **Keep handles and grasping surfaces dry, clean and free from oil and grease.** Slippery handles and grasping surfaces do not allow for safe handling and control of the tool in unexpected situations.

## Service

- **Have your power tool serviced by a qualified repair person using only identical replacement parts.** This will ensure that the safety of the power tool is maintained.
- **Never service damaged battery packs.** Service of battery packs should only be performed by the manufacturer or authorized service providers.

## Drill safety warnings - for handheld operation



**WARNING:** The vibration emission during actual use of the power tool can differ from the declared total value, depending on the ways in which the tool is used.

### Safety instructions for all handheld operations

- **Use the auxiliary handle(s).** Loss of control can cause personal injury.
- **Do not drill handheld from a ladder or a scaffold.**
- **Make sure you stand firmly.**
- **Hold the power tool by insulated gripping surfaces, when performing an operation where the cutting accessory may contact hidden wiring or its own cord.** Cutting accessory contacting a "live" wire may make exposed metal parts of the power tool "live" and could give the operator an electric shock.

### Safety instructions when using long drill bits

- **Never operate at higher speed than the maximum speed rating of the drill bit.** At higher speeds, the bit is likely to bend if allowed to rotate freely without contacting the workpiece, resulting in personal injury.
- **Always start drilling at low speed and with the bit tip in contact with the workpiece.** At higher speeds, the bit is likely to bend if allowed to rotate freely without contacting the workpiece, resulting in personal injury.
- **Apply pressure only in direct line with the bit and do not apply excessive pressure.** Bits can bend causing breakage or loss of control, resulting in personal injury.

## Diamond drill safety warnings

- **When performing drilling that requires the use of water, route the water away from the operator's work area or use a liquid collection device.** Such precautionary measures keep the operator's work area dry and reduce the risk of electrical shock.
- **Operate power tool by insulated grasping surfaces, when performing an operation where the cutting accessory may contact hidden wiring or its own cord.** Cutting accessory contacting a "live" wire may make exposed metal parts of the power tool "live" and could give the operator an electric shock.
- **Wear hearing protection when diamond drilling.** Exposure to noise can cause hearing loss.

- **When the bit is jammed, stop applying downward pressure and turn off the tool.** Investigate and take corrective actions to eliminate the cause of the bit jamming.
- **When restarting a diamond drill in the workpiece, check that the bit rotates freely before starting.** If the bit is jammed, it may not start, may overload the tool, or may cause the diamond drill to release from the workpiece.
- **When securing the drill stand with anchors and fasteners to the workpiece, ensure that the anchoring used is capable of holding and restraining the machine during use.** If the workpiece is weak or porous, the anchor may pull out causing the drill stand to release from the workpiece.
- **When securing the drill stand with a vacuum pad to the workpiece, install the pad on a smooth, clean, non-porous surface. Do not secure to laminated surfaces such as tiles and composite coating.** If the workpiece is not smooth, flat or well affixed, the pad may pull away from the workpiece.
- **Ensure there is sufficient vacuum before and during drilling.** If the vacuum is insufficient, the pad may release from the workpiece.
- **Never perform drilling with the machine secured by the vacuum pad only, except when drilling downwards.** If the vacuum is lost, the pad will release from the workpiece.
- **When the drilling through walls or ceilings, ensure to protect persons and the work area on the other side.** The bit may extend through the hole or the core may fall out on the other side.
- **When drilling overhead, always use the liquid collection device specified in the instructions. Do not allow water to flow into the tool.** Water entering the power tool will increase the risk of electric shock.

## General safety instructions



**WARNING:** Read the warning instructions that follow before you use the product.

- This product is a dangerous tool if you are not careful or if you use the product incorrectly. This product can cause serious injury or death to the operator or others. Before you use the product, you must read and understand the contents of this operator's manual.
- This product is not intended for use by persons (including children) with reduced physical, sensory or mental capabilities, or lack of experience and knowledge.
- Save all warnings and instructions.
- Comply with all applicable laws and regulations.
- The operator and the employer of the operator must know and prevent the risks during operation of the product.

- Do not let a person operate the product unless they read and understand the contents of the operator's manual.
- Do not operate the product unless you receive training before use. Make sure that all operators receive training.
- Do not let a child operate the product.
- Only let approved persons operate the product.
- The operator is responsible for accidents that occur to other persons or their property.
- Do not use the product if you are tired, ill, or under the influence of alcohol, drugs or medicine.
- Always be careful and use your common sense.
- This product produces an electromagnetic field during operation. This field can under some circumstances interfere with active or passive medical implants. To decrease the risk of serious injury or death, we recommend persons with medical implants to speak to their physician and the medical implant manufacturer before operating this product.
- Keep the product clean. Make sure that you can clearly read signs and decals.
- Do not use the product if it is damaged.
- Do not make modifications to this product.
- Do not operate the product if it is possible that other persons have made modifications to the product.

## Always use common sense



**WARNING:** Under no circumstances should you modify the original design of the product without approval from the manufacturer. Always use original spare parts. Unauthorized modifications and/or accessories may lead to serious injury or death to the user or others.



**WARNING:** The use of products such as cutters, grinders, drills, that sand or form material can generate dust and vapours which may contain hazardous chemicals. Check the nature of the material you intend to process and use an appropriate breathing mask.

It is not possible to cover every conceivable situation you can face when using the product. Always exercise care and use your common sense. Avoid all situations which you consider to be beyond your capability. If you still feel uncertain about operating procedures after reading these instructions, you should consult an expert before continuing.

Do not hesitate to contact your Husqvarna representative if you have any more questions about the use of the product. We will willingly be of service and provide you with advice as well as help you to use your product both efficiently and safely.

Let your Husqvarna dealer check the product regularly and make essential adjustments and repairs.

Husqvarna Construction Products has a policy of continuous product development. Husqvarna reserves the right to modify the design and appearance of products without prior notice and without further obligation introduce design modifications.

All information and all data in the operator's manual were applicable at the time the operator's manual was sent to print.

## Safety instructions for operation



**WARNING:** Read the warning instructions that follow before you use the product.



**WARNING:** The noise emissions during actual use of the power tool can differ from the declared values depending on the ways in which the tool is used, especially what kind of workpiece is processed.



**WARNING:** Make sure to identify safety measures to protect the operator that are based on an estimation of exposure in the actual conditions of use (taking account of all parts of the operating cycle such as the times when the tool is switched off and when it is running idle in addition to the trigger time).

- Do not operate the product unless you can get aid if an accident occurs.
- Do not use the product in bad weather, such as fog, rain, strong winds, intense cold and equivalent conditions. Dangerous conditions, such as slippery surfaces, can occur because of bad weather.
- Look out for persons, objects and situations that can prevent safe operation of the product.
- When the drill points up during operation, always use an applicable container to collect the water.
- If used in a drill stand, always attach the product to an applicable drill stand before operation. Refer to *To use the product with a drill stand on page 10*.
- Make sure that you always can stop the motor quickly in an emergency.
- Make sure that there are no pipes or electrical cables in the area where the hole will be made.
- If the product does not operate correctly, stop the motor.
- Make sure that you are in a safe and stable position during operation.
- Stay at a distance from the drill bit when the motor is on.
- Do not go away from the product when the motor is on.

- Always disconnect the power cord before you go away from the product.
- Keep all parts in good condition and make sure that all fixtures are correctly tightened.
- If vibrations occur in the product or the noise level from the product is unusually high, stop the product immediately. Examine the product for damages. Repair damages or let an approved service agent do the repair.
- Always use approved accessories. Speak to your dealer for more information.
- **Brace the tool properly before use.** This tool produces a high output torque and without properly bracing the tool during operation, loss of control may occur resulting in personal injury.

- Use rubber protective gloves that prevents skin irritation from wet concrete.
- Use an approved protective helmet.
- Always use approved hearing protection while you operate the product. Noise for a long period can cause noise-induced hearing loss.
- The product makes dust and fumes that contain dangerous chemicals. Use an approved breathing protection.
- Use boots with steel toe-caps and non-slip soles.
- Make sure that you have a first aid kit near.
- Sparks can occur when you operate the product. Make sure that you have a fire extinguisher near.

## Safety devices on the product

---



**WARNING:** Read the warning instructions that follow before you use the product.

---

- Never use a product that has faulty safety equipment! If your product fails any checks contact your service agent to get it repaired.
- Do not use the product if protective plates, protective covers, safety switches or other protective devices are not attached or are damaged.

### Motor overload protection, Elgard™

The motor overload protection engages if the motor has too high load or the drill bit cannot move freely.

The motor overload protection causes the power from the motor to decrease and increase in short intervals for some seconds. Then, if you do not decrease the force, the motor stops. Refer to *To reset the motor overload protection on page 16*.

### Friction clutch

The friction clutch is integrated in the gearbox of the product. It prevents damage to the product if the drill bit stops during operation. If the load is too high, the friction clutch is released and stops the drill spindle but keeps the motor on for some seconds. The friction clutch engages again if the load is decreased and the operation can continue. If the drill bit is caught in the material and fully stops, the friction clutch stops the motor immediately.



**CAUTION:** Make sure that the release time of the clutch is not more than 3-4 seconds, because if not wear and heat will increase quickly.

---

### PRCD



**WARNING:** Not applicable for 110V type sold in United Kingdom and Ireland. United Kingdom and Ireland: Do not operate

## Extension cables

- Use only approved extension cables with sufficient length.
- The rated value on the extension cable must be the same or higher than given on the rating plate of the product.
- Use grounded extension cables.
- When you operate the product outdoors, use an extension cable that is applicable for outdoor operation. This decreases the risk of electrical shock.
- Keep the connection to the extension cable dry and off the ground.
- Keep the extension cable away from heat, oil, sharp edges or moving parts. A damaged cable increases the risk of electrical shock.
- Make sure that the extension cable is in good condition and not damaged.
- Do not use the extension cable while it is wound up. This can cause the extension cable to become too hot.
- Make sure that the extension cable is behind you and the product when you use the product. This prevents damage to the extension cable.

## Personal protective equipment

---



**WARNING:** Read the warning instructions that follow before you use the product.

---

- Always use correct personal protective equipment when you operate the product. The personal protective equipment does not erase the risk of injury. The personal protective equipment decreases the grade of injury if an accident occurs. Let your dealer help you select the right equipment.
- Use approved eye protection while you operate the product.
- Do not use loose, heavy and not applicable clothing. Use clothes that let you move freely.
- Use approved protective gloves that enables a solid hold.



the 110V type of the product without an isolation transformer, refer to EN/IEC 61558-1 and EN/IEC 61558-2-23. The isolation transformer must have a grounded earth wire on the secondary winding side.



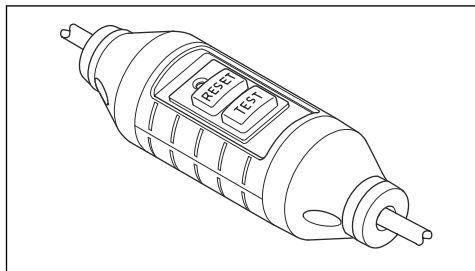
**WARNING:** Do not put the PRCD into water.



**WARNING:** Before you operate the product, always do a check of the PRCD. Refer to *To examine the PRCD on page 9*.

The product has a PRCD installed on the power cord. The PRCD is for protection and engages if an electrical fault occurs. Refer to *Technical data on page 20* for information about at which current the PRCD engages.

The red light shows that the PRCD is on and that the product can be started. If the red light does not show, push the RESET button.



#### To examine the PRCD



**WARNING:** Not applicable for 110V type sold in United Kingdom and Ireland. Refer to *PRCD on page 8*.



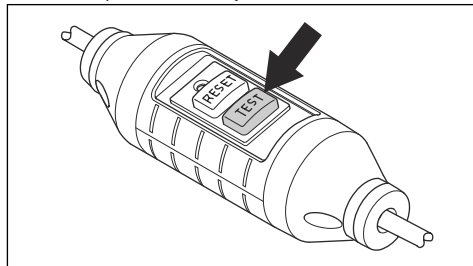
**WARNING:** The PRCD must be examined each time the power plug is connected to a power outlet.



**WARNING:** If the PRCD must be repaired, always speak to an approved Husqvarna service agent.

1. Connect the power plug of the product to a power outlet.
2. Push the "RESET" button. The indicator above the button is red when the current is connected.
3. Start the product, refer to *To start the product on page 14*.

4. Push the "TEST" button. If the product stops, the PRCD operates correctly.



#### Isolation transformer

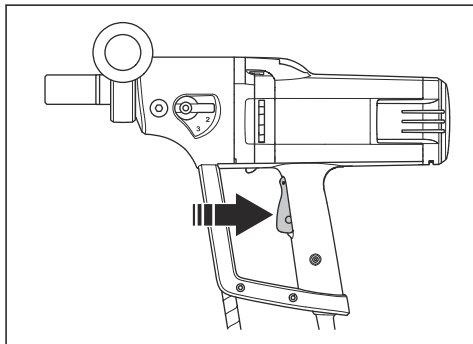
**Note:** Applicable for 110V type sold in United Kingdom and Ireland.

Do not operate the 110V type of the product without isolation transformer that refers to EN/IEC 61558-1 and EN/IEC 61558-2-23.

The isolation transformer must have ground wires on the 230V and the 110V side.

#### Power switch

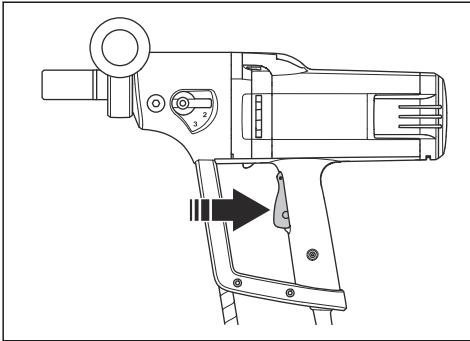
The power switch is used to start and stop the product.



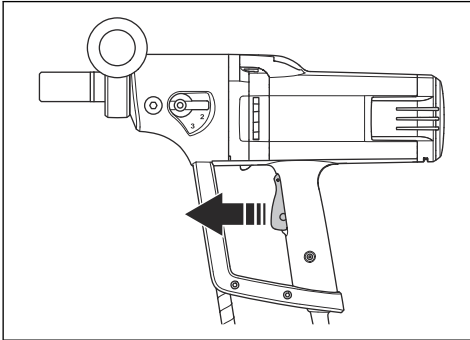
#### To do a check of the power switch

1. Connect the power plug of the product to a power outlet.

2. Push the power switch to start the product.



3. Release the power switch to stop the product.



## Safety instructions for maintenance



**WARNING:** Inspection and/or maintenance should be carried out with the motor switched off and the plug disconnected.

- Maintain power tools and accessories. Check for misalignment or binding of moving parts, breakage of parts and any other condition that may affect the power tool's operation. If damaged, have the power tool repaired before use. Many accidents are caused by poorly maintained power tools.
- Keep cutting tools sharp and clean. Properly maintained cutting tools with sharp cutting edges are less likely to bind and are easier to control.
- Have your power tool serviced by a qualified repair person using only identical replacement parts. This will ensure that the safety of the power tool is maintained.

## Operation

### To do before you operate the product

1. Read the operator's manual carefully and make sure that you understand the instructions.
2. Do the daily maintenance. Refer to *Maintenance schedule on page 16*.
3. Make sure that the nominal voltage and current in the power outlet is the same as the voltage and current of the product.
4. Make sure that the PRCD is started. Refer to *PRCD on page 8* and *To examine the PRCD on page 9*.
5. Make sure that the work area is clean and bright.
6. Use personal protective equipment. Refer to *Personal protective equipment on page 8*.
7. Make sure that the product is installed correctly. The drill bit must be attached correctly.
8. If you use the product with a drill stand, read the operator's manual for the drill stand carefully and make sure that you understand the instructions. Make sure that the product is attached correctly.

9. If you do not use a drill stand, the auxiliary handle must be connected and fully tightened. Refer to *To set the auxiliary handle in an applicable position on page 12*.
10. When you operate the product dry, use a dust extractor. Refer to *To prepare the product for dry drilling on page 12*.
11. When you operate the product wet, make sure that the water system is not damaged and use the water connector. Refer to *To prepare the product for wet drilling on page 12*.
12. When you do inverted drilling, make sure that you comply to the applicable instructions. Refer to *To prepare the product for inverted drilling on page 12*.

### To use the product with a drill stand



**CAUTION:** If you use a drill stand, read this section carefully.



**CAUTION:** Read the operator's manual for the drill stand carefully.

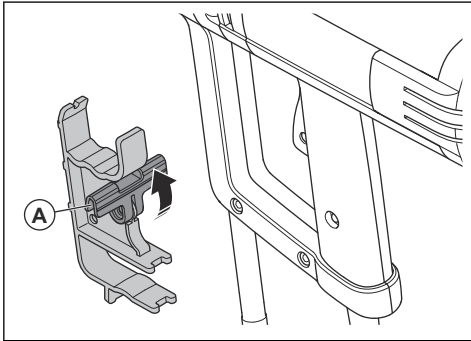
To attach the product to a drill stand, refer to the manual for the drill stand.

- Remove the auxiliary handle when you use the product with a drill stand.
- Always use a drill stand if you stand on a scaffold when you drill.
- Make sure that the drill stand is correctly attached.
- Make sure that the product is correctly attached in the drill stand.
- Use only with approved Husqvarna drill stands. Refer to *Accessories on page 21*.
- Attach the trigger lock bracket. Refer to *To attach the trigger lock bracket to the product on page 11*.

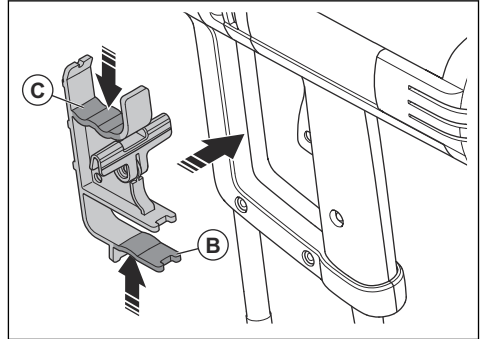
### To attach the trigger lock bracket to the product

The trigger lock bracket must only be used when you use a drill stand. The trigger lock bracket pushes and holds the power switch to start position.

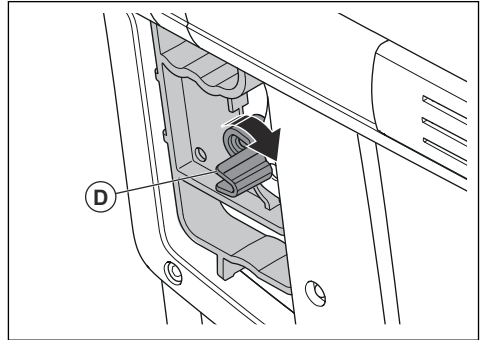
1. Attach the product to a drill stand. Refer to *To use the product with a drill stand on page 10*.
2. Turn the knob (A) counterclockwise.



3. Put your thumb on the lower part (B) of the trigger lock bracket and put 2-4 fingers at the top part (C) of the trigger lock bracket. Push your thumb and fingers together and install the trigger lock bracket to the product.

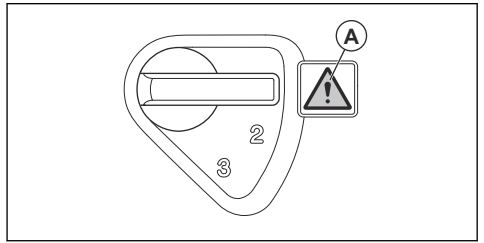


4. Turn the knob (D) clockwise to push and hold the power switch to start position.



### To use the product handheld

Do not do handheld drilling in first gear (A).



**WARNING:** Do not do handheld drilling in first gear. The product has a strong torque that can result in injury if the drill bit stops to move freely.

1. Install a drill bit with a maximum diameter of 75 mm. The larger the drill bit, the more dangerous reaction if the drill stops to move freely.

2. Lock the auxiliary handle tightly in position before you start to drill. Refer to *To set the auxiliary handle in an applicable position on page 12*.
3. During operation, keep a stable position with you feet on the ground.



**WARNING:** Do not drill from a ladder. If the drill bit stops suddenly, the strong torque can cause you to fall.

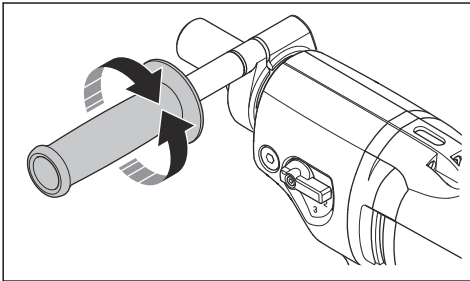
4. Change the gear to 2 or 3. Refer to *To change gear on page 14*.



**WARNING:** Do not do handheld drilling in first gear. The product has a strong torque that can result in injury if the drill bit stops to move freely.

## To set the auxiliary handle in an applicable position

1. Turn the auxiliary handle counterclockwise to release it.



2. Move the auxiliary handle around the spindle shaft to an applicable operation position.
3. Turn the auxiliary handle clockwise to lock it. Tighten fully.

## To prepare the product for dry drilling



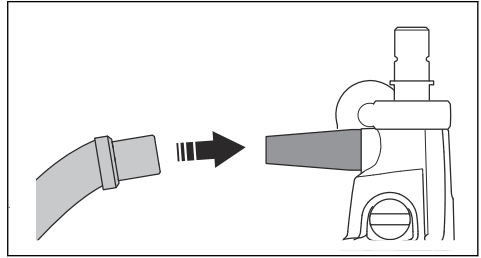
**WARNING:** Use approved respiratory protection. Do not breathe the dangerous dust.



**WARNING:** Do not use a standard vacuum cleaner. Use only dust extractors made especially for dangerous dust. Refer to *Recommended dust extractor capacity on page 21* for specifications.

1. Attach the dust extractor adapter to the product.

2. Attach the dust extractor to the dust extractor adapter.



3. Start the dust extractor.

## To prepare the product for wet drilling



**CAUTION:** Make sure that the water pressure is not too high. Refer to *Technical data on page 20*.

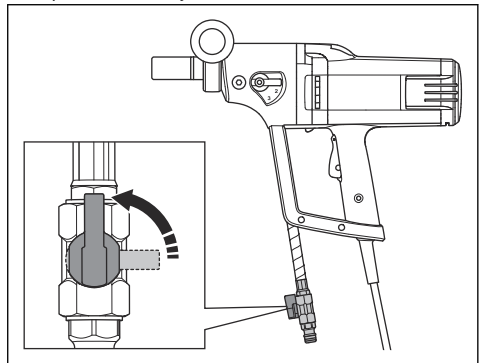


**CAUTION:** To prevent blockage in the water system, use only clean water.



**CAUTION:** Use only an approved water supply coupling. Speak to your dealer for more information.

1. Connect the Gardena® male coupling with water valve to the water connector.
2. Open the water system.



3. Set the water pressure to remove all waste material from the drill hole.

## To prepare the product for inverted drilling

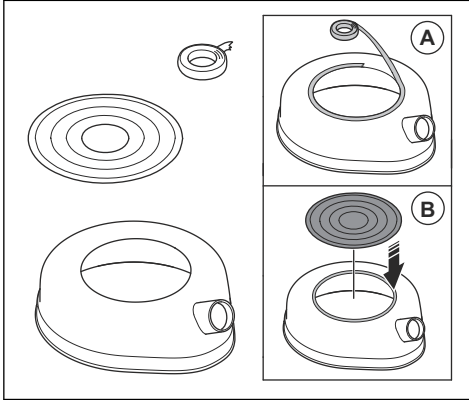


**WARNING:** Always use a slurry ring with a sealing disc during inverted drilling. Water that goes into the product increases the risk of electrical shock.

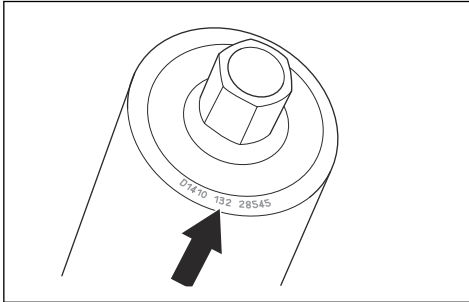


**CAUTION:** Use a slurry collector or wet dust extractor to collect the slurry.

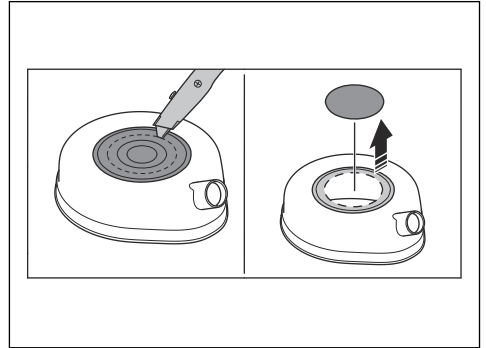
1. Clean all grease and dirt from the top of the slurry ring.
2. Attach 2-sided adhesive tape or apply spray glue around the top opening of the slurry ring (A).



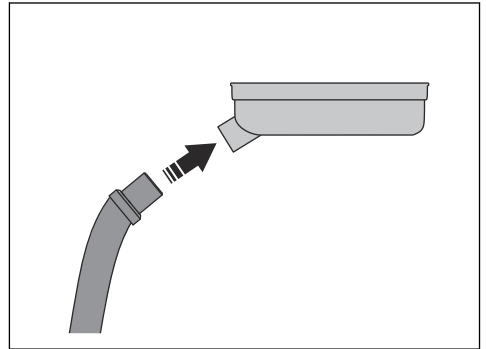
3. Put the sealing disc on the top opening as a cover (B). Attach it tightly.
4. Look for the dimension of the core drill on the top of the drill.



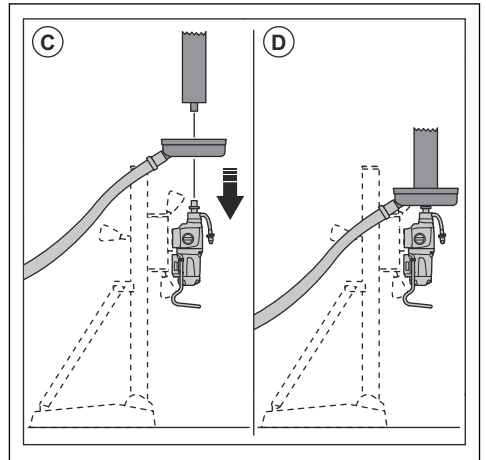
5. Cut a hole in the sealing disc in the nearest smaller dimension as the core drill (0-150 mm).



6. Connect the slurry collector/wet dust extractor to the connection of the slurry ring.

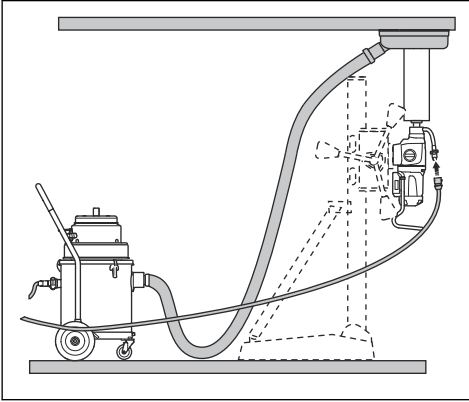


7. Put the slurry ring on the drill spindle (C).



8. Install the drill bit to the drill spindle (D).
9. Start the slurry collector/wet dust extractor.

- Lift the drill bit to the ceiling. Attach the slurry ring to the ceiling.



### To decrease the temperature of the motor

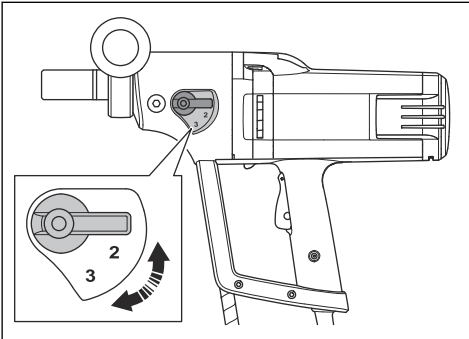
- Operate the product with no load for 2 minutes to decrease the temperature of the motor.

### To change gear



**CAUTION:** Change gear only when the motor decreases in speed or stops. Do not use force to change gear.

- Use the applicable speed for the drill bit diameter. Refer to the rating plate on the product or *Technical data on page 20*.
- Turn the drill spindle and at the same time turn the gear selector to change gear.



### To start the product

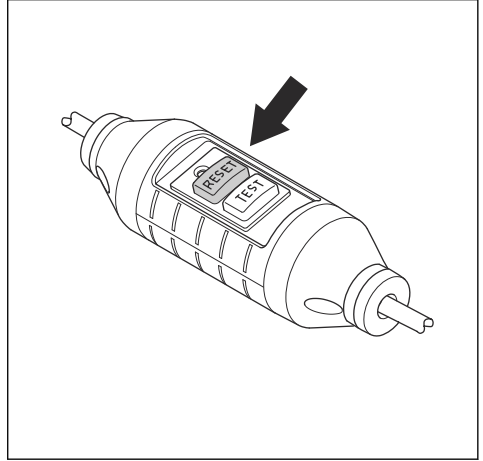


**WARNING:** Make sure that the drill bit can rotate freely. The drill bit starts to rotate when the motor starts.

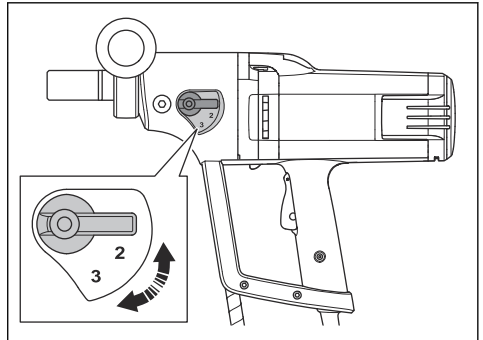


**WARNING:** The first time the product is started on the work day, do a check of the PRCD. Refer to *To examine the PRCD on page 9*.

- Connect the power plug of the product to a power outlet.
- Push the "RESET" button on the PRCD.

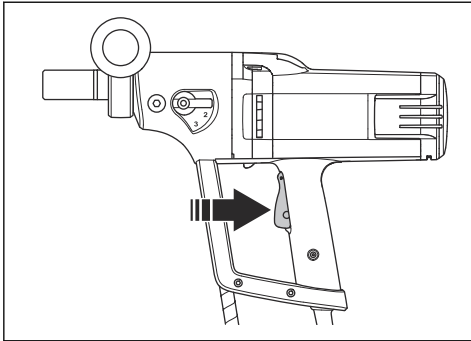


- To set the operation speed, turn the drill spindle and at the same time move the gear selector. Set the gear selector in the correct position for the operation.



- For wet drilling, connect the water system and open the water system. Refer to *To prepare the product for wet drilling on page 12*.
- For dry drilling, attach the dust extractor to the product and start the dust extractor. Refer to *To prepare the product for dry drilling on page 12*.

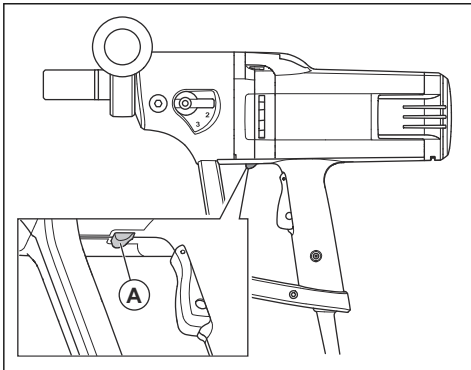
6. Push and hold the power switch.



## To drill a start hole with the Smartstart™ function

The Smartstart™ function decreases the speed of the motor. This helps to make a start hole. The decreased speed of the Smartstart™ function is only applicable for start holes and not for usual operation.

1. Start the motor. Make sure that the drill bit does not touch the material.
2. Push the Smartstart™ button (A) one time. The speed decreases and the Smartstart™ function is on.



3. Drill a start hole in the material.

**Note:** The Smartstart™ function goes off automatically when the speed increases.

4. To stop the Smartstart™ function manually, push the Smartstart™ function button again.

## To operate the product



**WARNING:** If the PRCD engages, remove the drill bit from the hole before you push "RESET".



**WARNING:** Dangerous accidents can occur if the concrete core stays in the drill bit when you remove the drill bit from the hole.



**CAUTION:** Make sure that no objects hit the drill bit.



**CAUTION:** Do not use more force than necessary. This only makes the operation slow and causes overload to the motor.

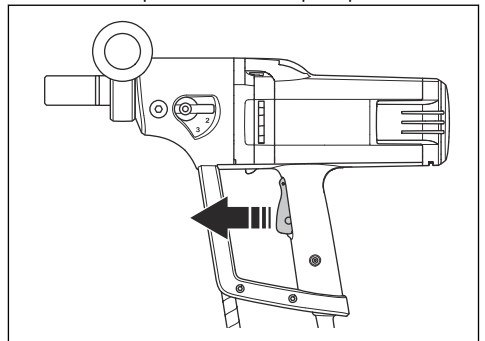
1. Start the motor. Refer to *To start the product on page 14*.
2. Let the motor speed increase to the maximum speed before the drill bit touches the surface.
3. If you use a drill stand, push the drill bit into the surface with the feed lever.
4. If you drill through iron reinforcements, use more initial pressure and a lower gear than if there were no iron reinforcements.
5. Use very small pressure initially to keep the drill bit in correct position.
6. If wet drilling, make sure that the water removes all waste material from the drill hole. Adjust the water pressure if it is necessary.
7. If dry drilling, make sure that the dust extractor removes all dust.
8. Stop the motor. Refer to *To stop the product on page 15*.

## To stop the product



**WARNING:** The drill bit continues to rotate for some time after the motor stops. Do not stop the drill bit with your hands. Injuries can occur.

1. Release the power switch to stop the product.



2. Wait until the drill bit has fully stopped.

3. Disconnect the power plug of the product.

## To reset the motor overload protection

1. Stop the product. Refer to *To stop the product on page 15*.
2. Remove the blockage from the drill bit.
3. Start the product. Refer to *To start the product on page 14*.

## To replace the drill bit



**WARNING:** Pull out the plug from the power outlet before you replace the drill bit.

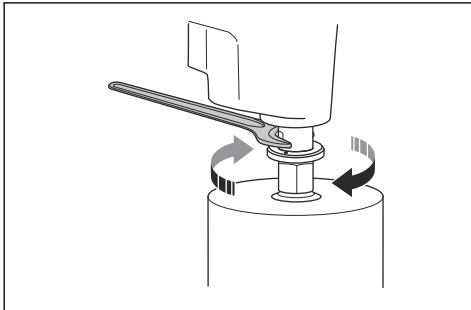


**WARNING:** Use protective gloves. Let the product become cool before you remove the drill bit. The drill bit and the adjacent area are very hot after operation.



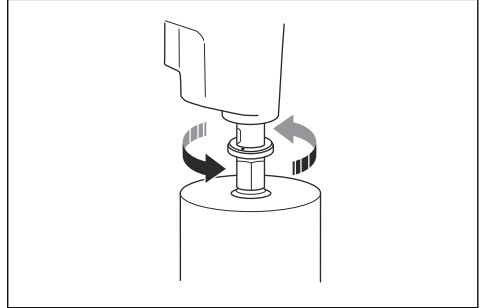
**WARNING:** Only use diamond drill bits that are approved for your product. Speak to your Husqvarna dealer for more information.

1. Make sure that you have got a new drill bit, the supplied wrench and water resistant grease.
2. Lock the spindle axle with the wrench.
3. Turn the drill bit clockwise to remove it.



**CAUTION:** Do not hit the product to remove the drill bit. There is a risk of damage to the gearbox and the drill stand.

4. Lubricate the spindle shaft thread with water resistant grease.
5. Turn the drill bit counterclockwise to install it. Tighten fully.



## Maintenance

### Introduction



**WARNING:** Read and understand the safety chapter before you do maintenance on the product.



**WARNING:** To prevent injury, disconnect the power cord before you do maintenance.


### Maintenance schedule

\* = General maintenance done by the operator. The instructions are not given in this operator's manual.

X = The instructions are given in this operator's manual.

O = Speak to a Husqvarna service agent.



Maintenance	Before each use	After each use	Daily	After the first 100 h	After each 300 h
Make sure that movable parts function correctly and move freely.	*				
Make sure that the cutting tool is sharp and clean.	*				
Make sure that the PRCD functions correctly.					
 <b>WARNING:</b> Not applicable for 100-120V type sold in United Kingdom and Ireland. Refer to <i>PRCD on page 8</i> .	X				
Examine the power cord, other cables, and the power plug for damage.	*	*			
Make sure that the handles and holding surfaces are dry, clean and free of oil and grease.	*	*			
Make sure that the product is clean.	X	X			
Examine the shaft seals for damage/water leakage.		X			
Make sure that the nuts and screws are tight.			*		
Make sure that the power switch operates correctly.			X		
Replace the gear oil.				O	
Examine the carbon brushes for damage.					X

## To clean the product



**CAUTION:** Make sure that no water goes into the motor or the gearbox.



**CAUTION:** Do not use running water to clean the product.

- Use a dry or moist cloth to clean the product.
- Remove blockage from all air openings. A blocked air intake decreases the performance of the product and can cause the motor to become too hot.
- Clean and lubricate the spindle shaft thread.

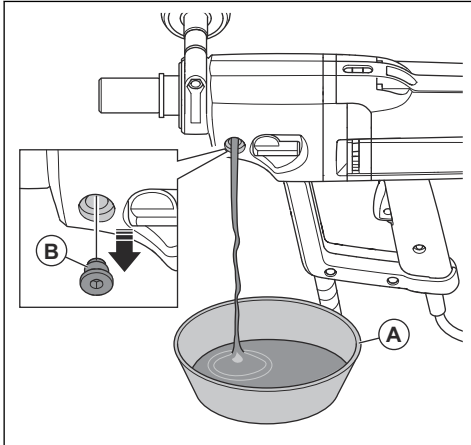
## To do maintenance of the diamond drill bit

- Make sure that the diamond tools segments are sharp. Sharpen blunt diamond segments with a SiC grind stone.
- Make sure that there is no vibration in the drill bit. If there is vibration in the drill bit, the diamond segments can come loose.

- Make sure that the diamond segments are sufficiently larger than the inner and outer diameter of the drill bit tube.
- Lubricate the drill bit thread with water resistant grease. This makes it easy to loosen the tool.
- Make sure that the radial run out at the diamond segments of the drill bit is not more than 1 mm.

## To replace the gear oil

1. Put a container (A) below the gear oil plug.



2. Remove the gear oil plug (B).
3. Drain the gear oil into the container.
4. If it is necessary, let an approved Husqvarna service center clean the gearbox.
5. Fill the gear housing with new gear oil. Refer to *Technical data on page 20*.
6. Clean the gear oil plug and install the gear oil plug.

## To examine the water connection

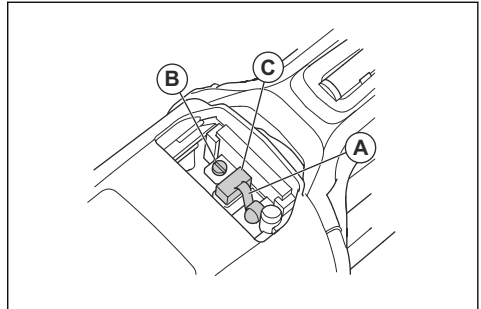


**CAUTION:** If there is a leakage of water from the water connection ring, the shaft seals must be replaced immediately.

- Let an approved Husqvarna service center repair the water connection.

## To examine the carbon brushes

1. Remove the 3 screws and remove the inspection cover.
2. Lift the brush retainer spring to one side (A).



3. Loosen the screw (B).
4. Pull out the carbon brush connector.
5. Pull out the carbon brush (C) from the holder.
6. Clean the carbon brush holder with compressed air or a brush. Replace the carbon brush if it is worn.
7. Install the new carbon brush. Make sure that the carbon brush moves easily in the brush retainers.
8. Lift the brush retainer spring into its correct position.
9. Install the carbon brush connection and tighten the screw.
10. Do the same procedure with the carbon brush on the opposite side of the product.
11. Install the inspection cover and tighten the 3 screws. Start the product and let the product idle for 10 minutes.

## Troubleshooting

### Troubleshooting schedule

If you cannot find a solution to your problems in this operator's manual, speak to your Husqvarna service agent.

Problem	Steps to do immediately	Possible cause	Solution
The product does not start when the power switch is pushed.	Release the power switch.	If there is a red light on the PRCD, the current is disconnected.	Push the "RESET" button on the PRCD.  If the PRCD disconnects the current again, speak to an approved Husqvarna service center.

Problem	Steps to do immediately	Possible cause	Solution
The product stops.	Release the power switch.	There is a fault with the current source. The current is disconnected by the Elgard™ function.	Do a check of the current source.
		The drill bit is blocked. The current is disconnected by the Elgard™ function.	Turn the drill bit right and left, use a wrench. Carefully remove the product from the drill hole.
		Too high load causes overload of the motor. The current is disconnected by the Elgard™ function.	Make sure that the drill bit can be turned easily in the drill hole.
		If there is a red light on the PRCD, the current is disconnected.	Push the "RESET" button on the PRCD.  If the PRCD disconnects the current again, speak to an approved Husqvarna service center.
The product does not continue into the surface, decreases in speed and stops.	Release the power switch.	The diamond segments are blunt.	Sharpen the diamond segments with a SiC grind stone.
Unwanted material collects around the hole during operation.		The water pressure is too low.	Increase the water pressure. Refer to <i>Technical data on page 20</i> .
The diamond segments on the drill bit are pulled out of their bond.		There are much vibration in the product during the operation.	Use correct load when you operate the product.
There is a leakage of gear oil.		The seals are worn out and must be replaced.	Speak to an approved Husqvarna service center.
There is a leakage of water from the hole on the water connection ring.		The shaft seals are defect.	Speak to an approved Husqvarna service center. Make sure to always use clean water.
The product does not operate smoothly.		Decrease the force.	Too high load causes overload of the motor.

---

## Transportation and storage

---

- Pull out the plug from the power outlet before transportation or storage of the product.
- Remove the drill bit before transportation or storage of the product. This is to prevent damage to the product and the drill bits.
- Keep the product in a locked area to prevent access for children or persons that are not approved.
- Keep the product in a dry and frost-free area.
- Safely attach the product during transportation to prevent damage and accidents.

## Technical data

### Technical data

<b>Motor</b>			
Electrical motor	Single-phase		
Rated voltage, V	100-120 or 220-240		
Rated frequency, Hz	50/60		
<b>Rated current, A</b>			
100-120V (US)	15		
100-120V (UK, Ireland)	16		
220-240V	8		
<b>PRCD current, mA</b>			
100-120V (US)	6		
220-240V	10		
<b>Drill bit</b>			
Max. drill bit diameter, with stand, mm/in.	150/6		
Max. drill bit diameter, handheld, mm/in.	75/3		
<b>Weight, kg/lb</b>	7/15.4		
<b>Water cooling</b>			
Water coupling	Gardena®		
Maximum water pressure, bar	3		
<b>Tool connection</b>			
Spindle thread	1 1/4", G 1/2"		
<b>Gear oil</b>	Mobil Lube 1 SHC 75W90 or equivalent quality.		
<b>Operating data</b>			
Gear	1	2	3
Drill bit speed with load, rpm	580	1400	2900
Drill bit speed without load, rpm	730	1700	3600
Recommended drill bit diameter, mm/in.	100-150/4-6 <sup>1</sup>	40-80/2-4	0-40/0-2

<sup>1</sup> Not recommended to use gear 1 at handheld drilling.

## Sound levels

<b>Noise emissions</b> <sup>2</sup>	
Sound power level, $L_W$ (dB(A))	114
<b>Sound levels</b> <sup>3</sup>	
Sound pressure level at the operators ear, $L_p$ (dB(A))	98
<b>Vibration levels when drilling into concrete, <math>a_{h,DP}</math></b> <sup>4</sup>	
Front handle, $m/s^2$	2.8
Rear handle, $m/s^2$	2.6

---

## Accessories

---

Speak to your service agent for more information about the accessories.

Drill stand DS 150.
Slurry ring.
Sealing disc.

## Recommended dust extractor capacity

Technical data for dust extractors are not conclusively describing actual performance over time between

different dust extractors. For Husqvarna products objective data are available at [www.husqvarnacp.com](http://www.husqvarnacp.com).

Min. Air flow, $m^3/h$ /CFM	400/236
Min. Vacuum, kPa/psi	22/3.6
Min. Water lift, m/in.	2.3/90
Dust extractor attachment, mm/in.	50/2

---

## Service

---

### Approved service center

To find your nearest Husqvarna Construction Products approved service center, go to the web site [www.husqvarnacp.com](http://www.husqvarnacp.com).

<sup>2</sup> Noise emission in the environment measured as sound power according to EN 62841-2-1. Expected measurement uncertainty 2.5 dB(A).

<sup>3</sup> Sound pressure level according to EN 62841-2-1. Expected measurement uncertainty 1 dB(A).

<sup>4</sup> Vibration level according to EN 62841-2-1. Reported data for vibration level has a typical statistical dispersion (standard deviation) of 1.5  $m/s^2$ . The vibration values are valid for manual operation.

---

# Declaration of Conformity

---

## EU Declaration of Conformity

We, **Husqvarna AB**, SE-561 82 Huskvarna, Sweden, tel:  
+46-36-146500, declare on our sole responsibility that  
the product:

<b>Description</b>	<b>Transportable diamond core drill</b>
<b>Brand</b>	Husqvarna
<b>Type/Model</b>	DM 230
<b>Identification</b>	Serial numbers dating from 2022 and onwards

complies fully with the following EU directives and  
regulations:

<b>Directive/Regulation</b>	<b>Description</b>
2006/42/EC	"relating to machinery"
2014/30/EU	"relating to electromagnetic compatibility"
2014/35/EU	"relating to electrical equipment"
2011/65/EU	"relating to restriction of hazardous substances"

and that the following harmonized standards and/or  
technical specifications are applied;

EN ISO 12100:2010  
EN 62841-2-1:2018  
EN 55014-1:2017  
EN 55014-2:2015  
EN 61000-3-2:2014  
EN 61000-3-3:2013  
EN IEC 63000:2018  
Partille, 2022-03-11



Erik Silfverberg  
R&D Director, Concrete Sawing & Drilling Equipment  
Husqvarna AB, Construction Division  
Responsible for technical documentation

# UK Declaration of Conformity

We, **Husqvarna AB**, SE-561 82 Huskvarna, Sweden, tel: +46-36-146500, declare on our sole responsibility that the product:

<b>Description</b>	<b>Transportable diamond core drill</b>
<b>Brand</b>	Husqvarna
<b>Type/Model</b>	DM 230
<b>Identification</b>	Serial numbers dating from 2022 and onwards

complies fully with the following UK regulations:

The Supply of Machinery (Safety) Regulations 2008
Electromagnetic Compatibility Regulations 2016
The Electrical Equipment (Safety) Regulations 2016
The Restriction of the Use of Certain Hazardous Substances in Electrical and Electronic Equipment Regulations 2012

and that the following standards and/or technical specifications are applied;

EN ISO 12100:2010

EN 62841-2-1:2018

EN 55014-1:2017

EN 55014-2:2015

EN 61000-3-2:2014

EN 61000-3-3:2013

EN IEC 63000:2018

Partille, 2022-03-11

UK Importer:  
Husqvarna UK Ltd  
Preston Road, Co. Durham  
DL5 6UP



Erik Silfverberg  
R&D Director, Concrete Sawing & Drilling Equipment  
Husqvarna AB, Construction Division  
Responsible for technical documentation

**UK  
CA**

---

## Registered trademarks

---

The *Bluetooth*<sup>®</sup> word mark and logos are registered trademarks owned by *Bluetooth SIG, inc.* and any use of such marks by Husqvarna is under license.



---

## Sommaire

---

Introduction.....	25	Caractéristiques techniques.....	45
Sécurité.....	27	Accessoires.....	46
Utilisation.....	34	Entretien.....	47
Entretien.....	40	Déclaration de conformité.....	48
Dépannage.....	42	Marques déposées.....	49
Transport et stockage.....	44		

---

## Introduction

---

### Description du produit

Ce moteur de forage Husqvarna est un outil diamanté portatif électrique. Il peut être utilisé dans les applications sèches ou humides dans tous les matériaux approuvés. Reportez-vous à la section *Utilisation prévue à la page 25*.

Le foret diamanté est un foret creux pourvu de segments en diamant.

Si vous effectuez un forage à l'eau, celle-ci traverse la vanne à bille, le tuyau et le foret diamanté. L'eau chasse les débris des fentes et fait baisser la température à l'intérieur du foret. Utilisez un aspirateur industriel et un anneau qui recueille l'eau pour éliminer à nouveau l'eau.

Si vous percez à sec, utilisez un aspirateur industriel pour évacuer le matériau à travers le foret et le raccord de l'aspirateur industriel. Cela permet de diminuer la température dans le foret.

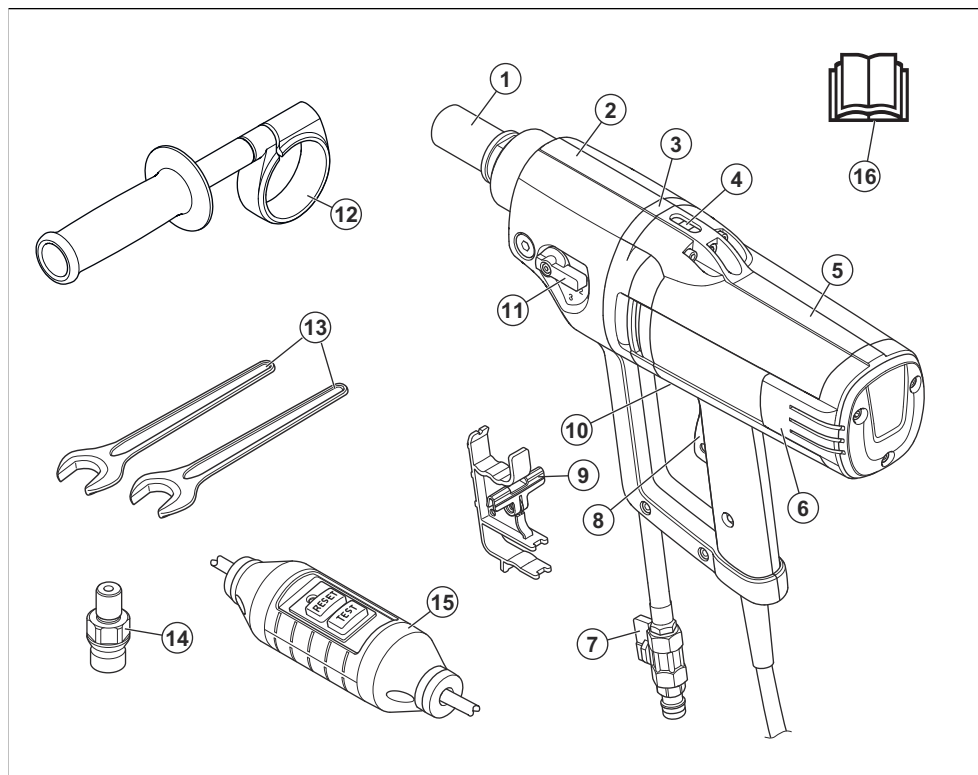
Ce produit est équipé d'une fonction Smartstart™. Reportez-vous à la section *Forage d'un avant-trou avec la fonction Smartstart™ à la page 39*.

### Utilisation prévue

Le produit sert à percer le béton, la brique et la roche. Toute autre utilisation est incorrecte.

Le produit est utilisé dans des applications industrielles par des opérateurs expérimentés.

## Aperçu du produit



1. Broche de forage
2. Boîte de vitesses
3. Trou de fuite
4. Niveau à bulle
5. Module de moteur
6. Capot d'inspection
7. Raccord d'eau
8. Interrupteur d'alimentation
9. Support de verrouillage de la gâchette
10. Smartstart™
11. Bouton de vitesse
12. Poignée auxiliaire et adaptateur
13. Clés
14. Raccord adaptateur (Amérique du Nord uniquement)
15. PRCD

**Remarque:** Dans ce manuel, nous utilisons le terme PRCD pour PRCD et GFCI.

16. Manuel d'utilisation

## Symboles concernant le produit



**AVERTISSEMENT !** ce produit peut être dangereux et causer des blessures graves, voire mortelles, à l'opérateur ou à d'autres personnes. Soyez prudent et utilisez le produit correctement.



Lisez le manuel d'utilisation et assurez-vous de bien comprendre les instructions avant d'utiliser ce produit.



Portez toujours un équipement de protection individuel homologué. Reportez-vous à la section *Équipement de protection individuel* à la page 32.



Ce produit est conforme aux directives CE en vigueur.



**Marquage environnemental.** Le produit ou son emballage ne font pas partie des ordures ménagères. Déposez-le dans une déchetterie agréée pour équipements électriques et électroniques.



Assurez-vous que de l'eau ne s'infiltré pas dans le produit lorsque vous percez dans le plafond. Utilisez un collecteur d'eau adapté.

**Remarque:** les autres symboles/autocollants présents sur le produit concernent des exigences de certification spécifiques à certains marchés.

## Endommagement du produit

Nous ne sommes pas responsables des dommages subis par le produit si :

- le produit n'est pas correctement réparé ;
- le produit est réparé avec des pièces qui ne proviennent pas du fabricant ou qui ne sont pas homologuées par le fabricant ;
- le produit est équipé d'un accessoire qui ne provient pas du fabricant ou qui n'est pas homologué par le fabricant ;
- le produit n'est pas réparé par un centre d'entretien agréé ou par une autorité homologuée.

## Sécurité

### Définitions de sécurité

Des avertissements, des recommandations et des remarques sont utilisés pour souligner des parties spécialement importantes du manuel.



**AVERTISSEMENT:** Symbole utilisé en cas de risque de blessures ou de mort pour l'opérateur ou les personnes à proximité si les instructions du manuel ne sont pas respectées.



**REMARQUE:** Symbole utilisé en cas de risque de dommages pour le produit, d'autres matériaux ou les environs si les instructions du manuel ne sont pas respectées.

**Remarque:** Symbole utilisé pour donner des informations supplémentaires pour une situation donnée.

### Consignes générales de sécurité relatives à l'outil à moteur



**AVERTISSEMENT:** Lisez l'ensemble des avertissements de sécurité, des consignes, des illustrations et des spécifications fournies avec cet outil électrique. Le non-respect des consignes énumérées ci-dessous peut être à l'origine d'un choc électrique, d'un incendie et/ou de blessures graves.

Conservez toutes ces consignes et instructions pour toute consultation ultérieure. Le terme « outil

électrique » utilisé dans les avertissements fait référence à l'outil branché sur secteur (fil) ou à l'outil alimenté par batterie (sans fil).

### Sécurité dans l'espace de travail

- **Maintenez un espace de travail propre et bien éclairé.** Les espaces encombrés ou sombres exposent à des accidents.
- **N'utilisez pas de machines à usiner dans des atmosphères explosives, en présence de liquides, de gaz ou de poussières inflammables par exemple.** Les machines à usiner provoquent des étincelles qui peuvent enflammer la poussière ou les vapeurs.
- **Tenez les enfants et les spectateurs à distance lorsque la machine à usiner est en marche.** Un moment d'inattention peut vous faire perdre le contrôle.

### Sécurité électrique



**AVERTISSEMENT:** les produits électriques présentent toujours un risque d'électrocution. N'utilisez pas le produit dans de mauvaises conditions météorologiques. Évitez de toucher des paratonnerres ou des objets métalliques. Suivez toujours les instructions du manuel de l'opérateur pour éviter tout dommage.



**AVERTISSEMENT:** Ne nettoyez pas le produit avec de l'eau. Celle-ci pourrait s'infiltrer dans le système électrique ou le moteur et endommager le produit ou provoquer un court-circuit.



**AVERTISSEMENT:** n'utilisez pas le produit sans le RCD fourni avec l'outil.

- Les fiches des machines à usiner doivent être adaptées à la prise. N'apportez jamais de modifications à la fiche. N'utilisez pas de fiches d'adaptation avec des outils mis à la terre (masse). Des fiches non modifiées et des prises compatibles réduiront le risque d'électrocution.
- Évitez tout contact physique avec les surfaces mises à la terre telles que les tuyaux, les radiateurs, les cuisinières et les réfrigérateurs. Le risque d'électrocution est plus important si le corps est relié à la terre.
- Si vous n'avez d'autre choix que d'utiliser un outil électrique dans un environnement humide, utilisez une alimentation protégée par un disjoncteur différentiel de fuite à la terre (RCD). L'utilisation d'un RCD réduit le risque de choc électrique. Un RCD avec un courant d'action inférieur à 30 mA est recommandé.
- Branchez le produit uniquement sur une prise mise correctement à la terre.
- Vérifiez si la tension secteur et les fusibles sont conformes aux indications sur la plaque signalétique de la machine.
- Assurez-vous que le cordon et la rallonge sont en bon état et fonctionnent correctement.
- Lorsque vous utilisez un outil électrique à l'extérieur, utilisez une rallonge électrique adaptée à un usage en extérieur. L'utilisation d'une rallonge prévue pour un usage en extérieur réduit le risque d'électrocution.
- N'utilisez pas le produit si le cordon est endommagé ; confiez-le à un atelier d'entretien agréé pour réparation. Un cordon endommagé peut occasionner des blessures graves et, dans le pire des cas, des blessures mortelles.
- Avant de l'utiliser assurez-vous que la rallonge est dépliée afin d'éviter toute surchauffe.
- Ne malmenez pas le cordon. N'utilisez jamais le cordon pour porter, tirer ou débrancher la machine. Maintenez le cordon d'alimentation à l'écart de la chaleur, de bords tranchants ou de pièces en mouvement. Les cordons endommagés ou emmêlés augmentent le risque d'électrocution.
- N'exposez pas les outils électriques à la pluie ou à l'humidité. L'infiltration d'eau dans un outil électrique augmente le risque d'électrocution.
- Assurez-vous que le cordon est derrière vous lorsque vous commencez à utiliser le produit. Cette précaution vise à éviter d'endommager le cordon.
- **N'exposez pas les outils électriques à la pluie ou à l'humidité.** L'infiltration d'eau dans un outil électrique augmente le risque d'électrocution
- **Ne malmenez pas le cordon. N'utilisez jamais le cordon pour porter, tirer ou débrancher la machine. Maintenez le cordon d'alimentation à l'écart de la chaleur, de bords tranchants ou de pièces en**

**mouvement.** Les cordons endommagés ou emmêlés augmentent le risque d'électrocution

- **Lorsque vous utilisez un outil électrique à l'extérieur, utilisez une rallonge électrique adaptée à un usage en extérieur.** L'utilisation d'une rallonge prévue pour un usage en extérieur réduit le risque d'électrocution.

## Sécurité du personnel

- **Restez attentif, regardez ce que vous faites et ayez recours à votre bon sens lorsque vous utilisez un outil électrique. N'utilisez pas d'outil électrique si vous êtes fatigué ou si vous êtes sous l'emprise de drogues, d'alcool ou de médicaments.** Un moment d'inattention pendant l'utilisation des machines à usiner peut entraîner des blessures corporelles graves.
- **Utilisez un équipement de protection personnelle. Travaillez toujours avec des lunettes de protection.** Les équipements de protection tels que le masque anti-poussière, les chaussures de sécurité antidérapantes, le casque ou le protège-oreilles utilisés dans des conditions appropriées réduisent les blessures corporelles.
- **Évitez tout démarrage intempestif. Vérifiez que l'interrupteur est en position d'arrêt avant de brancher l'outil sur l'alimentation et/ou la batterie, de le ramasser ou de le transporter.** Le fait de garder le doigt sur l'interrupteur pendant le transport des outils ou le branchement des machines alors que l'interrupteur est en position ON expose à des accidents.
- **Retirez toute clé ou clavette de calage avant de mettre la machine à usiner sous tension.** Une clé ou une clavette reliée à une pièce mobile de la machine à usiner peut entraîner des blessures corporelles.
- **Ne vous éloignez pas trop. Restez toujours en équilibre et sur vos appuis.** Cela favorise le contrôle de la machine à usiner dans les situations inattendues.
- **Habilitez-vous correctement. Ne portez jamais de vêtements amples ou de bijoux. Éloignez vos cheveux et vos vêtements des pièces mobiles.** Les vêtements amples, les bijoux et les cheveux longs peuvent rester coincés dans les pièces mobiles.
- **Si des dispositifs sont fournis pour raccorder des systèmes de collecte et d'extraction de la poussière, vérifiez qu'ils sont correctement branchés et utilisés.** L'utilisation de systèmes de collecte de poussière peut réduire les risques associés à la poussière.
- **La connaissance des outils, acquise par l'usage fréquent de ces derniers, ne doit pas vous dispenser d'être prudent et d'appliquer les principes de sécurité.** Une action inconsidérée peut provoquer de graves blessures en une fraction de seconde.

## Utilisation et entretien de la machine à usiner

- **Ne forcez pas sur la machine à usiner. Utilisez la machine à usiner qui convient à l'application. La**

machine qui convient réalisera mieux son travail et de façon plus sûre, à la vitesse pour laquelle elle a été conçue.

déclarée en fonction de la manière dont l'outil est utilisé.

- **N'utilisez pas la machine à usiner si l'interrupteur ne permet pas la mise sous tension ou l'arrêt.** Toute machine à usiner impossible à commander avec l'interrupteur est dangereuse et doit être réparée.
- **Débranchez la fiche de l'alimentation et/ou retirez la batterie, si celle-ci est amovible, avant de procéder aux réglages, de changer les accessoires ou de stocker un outil électrique.** Ces mesures de sécurité préventive réduisent le risque de mise sous tension accidentelle de la machine à usiner.
- **Rangez les machines à usiner hors de la portée des enfants et ne pas laisser des personnes qui ne connaissent pas la machine ou ces consignes utiliser l'appareil.** Les machines à usiner sont dangereuses si elles sont entre les mains d'utilisateurs non formés.
- **Entretenez les accessoires et outils électriques. Vérifier le mauvais alignement ou la fixation des pièces mobiles, l'éventuelle rupture des pièces ou toute autre condition susceptible d'altérer le fonctionnement de la machine. Si elle est endommagée, la machine à usiner doit être réparée avant toute réutilisation.** De nombreux accidents sont dus à des machines mal entretenues.
- **Maintenez les outils tranchants aiguisés et propres.** Des outils tranchants correctement entretenus avec des bords aiguisés sont moins susceptibles de se coincer et sont plus faciles à contrôler.
- **Utiliser la machine à usiner, les accessoires, les grains, etc. en suivant ces consignes et en tenant compte des conditions de travail et de la tâche à réaliser.** Il est dangereux d'utiliser l'outil électrique pour tout autre usage que celui prévu.
- **Les poignées et les surfaces de maintien doivent toujours être propres, sèches et sans traces d'huile ni de graisse.** Les poignées et les surfaces de maintien glissantes ne permettent pas une manipulation et un contrôle sûrs de l'outil dans des situations inattendues.

## Entretien

- **Confiez l'entretien de votre outil électrique à un technicien qualifié qui utilisera uniquement des pièces de rechange identiques.** Cela permet de garantir la sécurité de l'outil électrique.
- **N'entretenez jamais des batteries endommagées.** L'entretien des batteries doit être effectué uniquement par le fabricant ou des fournisseurs de services agréés.

## Avertissements de sécurité concernant le forage - pour utilisation portative



**AVERTISSEMENT:** Les émissions de vibrations durant l'utilisation de l'outil électrique peuvent différer de la valeur totale

## Consignes de sécurité pour toutes les opérations portatives

- **Utilisez la ou les poignées auxiliaires.** Toute perte de contrôle peut engendrer des blessures corporelles.
- **N'effectuez pas de forage à main levée si vous êtes sur une échelle ou un échafaudage.**
- **Adoptez une position stable.**
- **Tenez l'outil électrique par des surfaces de préhension isolées lorsque vous effectuez une opération où l'accessoire de coupe peut entrer en contact avec du câblage caché ou son propre cordon.** Si l'accessoire de coupe entre en contact avec un câble sous tension, il risque de mettre sous tension les parties métalliques exposées de l'outil électrique, ce qui peut électrocuter l'opérateur.

## Consignes de sécurité lors de l'utilisation de forets longs

- **Ne travaillez jamais à une vitesse supérieure à l'indice de vitesse maximale du foret.** À des vitesses plus élevées, le foret risque de se tordre s'il tourne librement sans être en contact avec le matériau, ce qui peut entraîner des blessures.
- **Commencez toujours à forer à faible vitesse et avec la pointe de foret en contact avec le matériau.** À des vitesses plus élevées, le foret risque de se tordre s'il tourne librement sans être en contact avec le matériau, ce qui peut entraîner des blessures.
- **Appliquez une pression uniquement en ligne directe avec le foret et n'appliquez pas de pression excessive.** Les forets peuvent se tordre et se casser ou provoquer une perte de contrôle, ce qui peut entraîner des blessures.

## Consignes de sécurité relatives au foret diamanté

- **Si vous effectuez un forage qui nécessite l'utilisation d'eau, évacuez l'eau de la zone de travail de l'opérateur ou utilisez un dispositif collecteur de liquide.** Ces mesures de précaution permettent de garder la zone de travail de l'opérateur sèche et de réduire le risque d'électrocution.
- **Saisissez l'outil électrique par les surfaces de maintien isolées lors d'une opération où l'accessoire de coupe risque de rentrer en contact avec du câblage dissimulé ou son propre cordon.** Si l'accessoire de coupe entre en contact avec un câble sous tension, il risque de mettre sous tension les parties métalliques exposées de l'outil électrique, ce qui pourrait envoyer un choc électrique à l'utilisateur.
- **Portez des protège-oreilles lorsque vous effectuez un forage au diamant.** L'exposition au bruit peut engendrer une perte auditive.

- Lorsque le foret est coincé, cessez d'exercer une pression vers le bas et arrêtez l'outil. Identifiez et corrigez la cause du coincement du foret.
- Lorsque vous redémarrez un foret diamanté dans la pièce, vérifiez que le foret tourne librement avant de commencer. Un foret coincé peut ne pas démarrer, peut surcharger l'outil ou provoquer le détachement du foret diamanté de la pièce.
- Lorsque vous fixez le support de forage à la pièce avec des ancrages et attaches, assurez-vous que l'ancrage utilisé est capable de maintenir et de retenir la machine pendant son utilisation. Si la pièce est peu solide ou poreuse, l'ancrage peut sortir de la pièce, provoquant ainsi le détachement du support de forage.
- Lors de la fixation du support de forage avec une ventouse à vide sur la pièce, installez la ventouse sur une surface lisse, propre et non poreuse. Ne procédez pas à la fixation sur des surfaces laminées, telles que des dalles ou un revêtement composite. Si la pièce n'est pas lisse, plate ou bien fixée, la ventouse peut s'écarter de la pièce.
- Assurez-vous que le vide est suffisant avant et pendant le forage. Si le vide est insuffisant, la ventouse peut se dégager de la pièce.
- N'effectuez jamais de forage lorsque la machine est fixée uniquement par la ventouse à vide, sauf si vous effectuez le forage vers le bas. En cas de perte de vide, la ventouse se dégage de la pièce.
- Dans le cas d'un forage dans les murs et plafonds, assurez-vous de protéger le personnel et la zone de travail de l'autre côté. Le foret peut dépasser du trou ou la carotte peut tomber de l'autre côté.
- Lorsque vous effectuez un forage au plafond, utilisez toujours le dispositif collecteur de liquide spécifié dans les instructions. Ne laissez pas l'eau s'écouler dans l'outil. L'infiltration d'eau dans l'outil électrique augmente le risque d'électrocution.

## Instructions générales de sécurité



**AVERTISSEMENT:** lisez les instructions qui suivent avant d'utiliser le produit.

- Ce produit est un outil dangereux si vous ne faites pas attention ou si vous l'utilisez de manière incorrecte. Ce produit peut causer des blessures graves, voire mortelles, à l'opérateur ou à d'autres personnes. Avant d'utiliser le produit, il convient de lire attentivement et de bien comprendre les instructions contenues dans ce manuel de l'opérateur.
- Ce produit n'est pas destiné à être utilisé par des personnes (ou des enfants) aux capacités physiques, sensorielles ou mentales limitées ou manquant d'expérience et de connaissances.
- Conservez tous les avertissements de sécurité et toutes les instructions.

- Respectez l'ensemble des lois et réglementations applicables.
- L'opérateur et son employeur doivent connaître et éviter tout risque au cours de l'utilisation du produit.
- Ne laissez personne utiliser le produit avant d'avoir lu et compris le contenu du manuel de l'opérateur.
- N'utilisez pas le produit sauf si vous bénéficiez d'une formation préalable. Assurez-vous que tous les opérateurs suivent une formation.
- Ne laissez pas un enfant utiliser le produit.
- Seules les personnes autorisées peuvent utiliser le produit.
- L'utilisateur est tenu responsable des accidents auxquels il expose autrui ou ses biens.
- N'utilisez jamais l'appareil si vous êtes fatigué ou malade, ou si vous êtes sous l'emprise d'alcool, de drogues ou de médicaments.
- Soyez toujours prudent et utilisez votre bon sens.
- Ce produit génère un champ électromagnétique durant son fonctionnement. Ce champ peut dans certaines circonstances perturber le fonctionnement d'implants médicaux actifs ou passifs. Pour réduire le risque de blessures graves ou mortelles, nous recommandons aux personnes portant des implants médicaux de consulter leur médecin et le fabricant de leur implant avant d'utiliser cet appareil.
- Maintenez le produit propre. Assurez-vous que vous pouvez lire clairement les avertissements et les autocollants.
- N'utilisez pas le produit si celui-ci est endommagé.
- Ne modifiez pas ce produit.
- N'utilisez pas le produit s'il est susceptible d'avoir été modifié par d'autres personnes.

## Utilisez toujours votre bon sens



**AVERTISSEMENT:** Vous ne devez en aucun cas modifier la conception d'origine du produit sans l'approbation du fabricant. Utilisez toujours les pièces de rechange d'origine. Les modifications et/ou accessoires non autorisés peuvent entraîner des blessures très graves, voire mortelles de l'utilisateur ou d'autres personnes présentes.



**AVERTISSEMENT:** L'utilisation de produits tels que les découpeuses, les meuleuses ou les foreuses pour poncer ou découper un matériau peut produire de la poussière et des vapeurs susceptibles de contenir des substances chimiques dangereuses. Vérifiez la nature du matériau que vous souhaitez travailler et utilisez un masque respiratoire approprié.

Il est impossible de prévoir toutes les situations que vous pouvez rencontrer lorsque vous utilisez ce produit. Soyez toujours prudent et utilisez votre bon sens. Évitez

les situations que vous n'êtes pas sûr de pouvoir maîtriser. Si, après avoir lu ces instructions, vous n'êtes toujours pas sûr de la procédure à suivre, demandez conseil à un expert avant de poursuivre.

N'hésitez pas à contacter votre représentant Husqvarna si vous avez des questions sur l'utilisation du produit. Nous sommes à votre disposition et vous conseillerons avec plaisir pour vous aider à utiliser votre produit en toute sécurité et de façon efficace.

Laissez à votre revendeur Husqvarna le soin de contrôler régulièrement le produit et d'effectuer les réglages et les réparations nécessaires.

Husqvarna Construction Products travaille continuellement au développement de ses produits. Husqvarna se réserve le droit de modifier la conception et l'aspect de ses produits sans préavis et sans autres engagements.

Toutes les informations et toutes les données indiquées dans le manuel de l'opérateur étaient valables à la date à laquelle ce manuel a été porté à l'impression.

## Instructions de sécurité pour le fonctionnement



**AVERTISSEMENT:** lisez les instructions qui suivent avant d'utiliser le produit.



**AVERTISSEMENT:** Les émissions sonores durant l'utilisation de l'outil électrique peuvent différer des valeurs déclarées en fonction de la manière dont l'outil est utilisé, et en particulier du type de pièce traité.



**AVERTISSEMENT:** En vue de protéger les opérateurs, veillez à établir des mesures de sécurité basées sur une estimation de leur exposition dans les conditions d'utilisation réelles (en tenant compte de toutes les phases du cycle d'utilisation, comme des périodes d'arrêt et de fonctionnement au ralenti, ainsi que de la période de démarrage).

- N'utilisez pas le produit si vous ne pouvez pas être secouru en cas d'accident.
- N'utilisez pas le produit par mauvais temps, par exemple en cas de brouillard, pluie, vents violents, froid intense ou autres conditions climatiques équivalentes. Le mauvais temps peut créer des conditions de travail dangereuses, telles que des surfaces glissantes.
- Identifiez les éventuels personnes, objets et situations susceptibles de nuire à la sécurité du fonctionnement du produit.

- Lorsque le foret pointe vers le haut pendant le fonctionnement, utilisez toujours un récipient adapté pour recueillir l'eau.
- Le cas échéant, fixez toujours le produit sur un bâti de forage adapté avant toute utilisation. Reportez-vous à *Pour utiliser le produit avec un bâti de forage à la page 34.*
- Assurez-vous de toujours pouvoir couper le moteur rapidement en cas d'urgence.
- Assurez-vous qu'aucun tuyau ou câble électrique ne se trouve dans la zone dans laquelle le trou doit être percé.
- Si la machine ne fonctionne pas correctement, arrêtez le moteur.
- Veillez à vous tenir dans une position stable et sûre pendant l'utilisation du produit.
- Tenez-vous à distance du foret lorsque le moteur est allumé.
- Ne vous éloignez pas du produit lorsque le moteur est allumé.
- Débranchez toujours le cordon d'alimentation avant de vous éloigner du produit.
- Assurez-vous que toutes les pièces sont en bon état et que toutes les fixations sont correctement serrées.
- Si des vibrations se produisent dans le produit ou si le niveau sonore du produit est anormalement élevé, arrêtez immédiatement le produit. Vérifiez que le produit n'est pas endommagé. Réparez les éventuels dommages ou demandez à un atelier spécialisé agréé de procéder aux réparations.
- Utilisez uniquement des accessoires homologués. Pour davantage d'informations, contactez votre revendeur.
- **Fixez correctement l'outil avant utilisation.** Cet outil produit un couple de sortie élevé et s'il n'est pas correctement fixé avant utilisation, une perte de contrôle peut se produire et entraîner des blessures corporelles.

## Rallonges

- Utilisez uniquement des rallonges homologuées d'une longueur suffisante.
- La valeur nominale sur la rallonge doit être identique ou supérieure à celle indiquée sur la plaque signalétique du produit.
- Utilisez des câbles de rallonge mis à la terre.
- Lorsque vous utilisez l'outil à l'extérieur, utilisez une rallonge adaptée à un usage extérieur. Cela réduit le risque de choc électrique.
- Maintenez la connexion de la rallonge au sec et au-dessus du sol.
- Maintenez la rallonge à l'écart de la chaleur, d'huile, de bords tranchants ou de pièces en mouvement. Un câble endommagé augmente le risque de choc électrique.
- Assurez-vous que la rallonge est en bon état et non endommagée.

- N'utilisez pas la rallonge lorsqu'elle est enroulée. Cela peut entraîner une surchauffe de la rallonge.
- Assurez-vous que la rallonge est derrière vous et derrière le produit lorsque vous utilisez le produit. Cela empêche toute dégradation de la rallonge.

sécurité ou d'autres dispositifs de protection ne sont pas fixés ou sont endommagés.

### Protection contre la surcharge du moteur, Elgard™

La protection contre la surcharge du moteur s'engage si le moteur a une charge trop élevée ou si le foret ne peut pas se déplacer librement.

La protection contre la surcharge du moteur provoque une diminution et une augmentation de la puissance du moteur par intervalles courts de quelques secondes. Ensuite, si vous ne diminuez pas la force, le moteur s'arrête. Reportez-vous à la section *Pour réinitialiser la protection contre la surcharge du moteur à la page 40*.

### Embrayage à friction

L'embrayage à friction est intégré à la boîte de vitesses du produit. Il évite d'endommager le produit si le foret s'arrête pendant l'opération. Si la charge est trop élevée, l'embrayage à friction est relâché et immobilise la tige de forage mais maintient le moteur en marche pendant quelques secondes. L'embrayage à friction s'engage à nouveau si la charge diminue et que l'opération peut se poursuivre. Si le foret est coincé dans le matériau et s'arrête complètement, l'embrayage à friction arrête immédiatement le moteur.

## Équipement de protection individuel



**AVERTISSEMENT:** Lisez les instructions qui suivent avant d'utiliser le produit.

- Utilisez toujours un équipement de protection individuel approprié lorsque vous faites fonctionner le produit. L'équipement de protection individuel n'empêche pas le risque de blessures. L'équipement de protection individuel diminue la gravité des blessures en cas d'accident. Faites appel à votre revendeur pour vous aider à sélectionner l'équipement adéquat.
- Utilisez des protections pour les yeux homologuées pendant que vous utilisez le produit.
- Ne portez pas de vêtements lâches, lourds ou inadaptés. Portez des vêtements qui garantissent votre liberté de mouvement.
- Utilisez des gants de protection homologués qui permettent de tenir fermement des objets.
- Utilisez des gants de protection en caoutchouc afin d'éviter toute irritation de la peau due au béton humide.
- Utilisez un casque de protection homologué.
- Utilisez toujours des protecteurs d'oreille homologués pendant l'utilisation du produit. Une exposition au bruit sur de longues périodes peut provoquer une perte d'audition.
- Le produit génère de la poussière et des fumées qui contiennent des produits chimiques dangereux. Utilisez une protection respiratoire homologuée.
- Utilisez des bottes avec embouts en acier et semelles antidérapantes.
- Assurez-vous de disposer d'une trousse de premiers soins à proximité.
- Des étincelles peuvent se produire lorsque vous utilisez le produit. Assurez-vous de disposer d'un extincteur à proximité.



**REMARQUE:** Assurez-vous que le temps de relâchement de l'embrayage ne dépasse pas 3-4 secondes, pour éviter que la chaleur n'augmente trop rapidement.

### PRCD



**AVERTISSEMENT:** Non applicable aux modèles de 110 V vendus au Royaume-Uni et en Irlande. Royaume-Uni et Irlande : n'utilisez pas la version 110 V du produit sans transformateur d'isolement ; reportez-vous aux normes EN/IEC 61558-1 et EN/IEC 61558-2-23. Le transformateur d'isolement doit être équipé d'un câble mis à la masse côté enroulement secondaire.

## Dispositifs de sécurité sur le produit



**AVERTISSEMENT:** lisez les instructions qui suivent avant d'utiliser le produit.

- N'utilisez jamais un produit dont les équipements de sécurité sont défectueux ! Si votre produit échoue à l'un des contrôles auxquels il est soumis, confiez-le à un atelier spécialisé.
- N'utilisez pas le produit si des plaques de protection, des couvercles de protection, des interrupteurs de



**AVERTISSEMENT:** Ne plongez pas le PRCD dans l'eau.



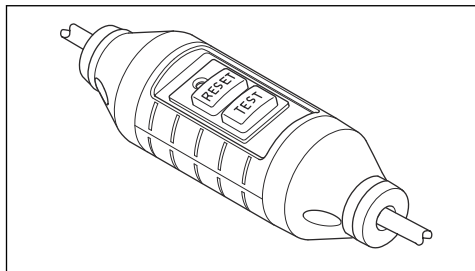
**AVERTISSEMENT:** Avant d'utiliser le produit, vérifiez toujours le PRCD. Reportez-vous à la section *Pour examiner le PRCD à la page 33*.

Un PRCD est installé sur le cordon d'alimentation du produit. Le PRCD est une protection et se déclenche en cas de panne électrique. Reportez-vous à *Caractéristiques techniques à la page 45* pour plus



d'informations sur le courant auquel se déclenche le PRCD.

Le voyant rouge indique que le PRCD est allumé et que le produit peut être démarré. Si le voyant rouge est éteint, appuyez sur le bouton RESET (réinitialiser).



#### Pour examiner le PRCD



**AVERTISSEMENT:** Non applicable aux modèles de 110 V vendus au Royaume-Uni et en Irlande. Reportez-vous à la section *PRCD* à la page 32.

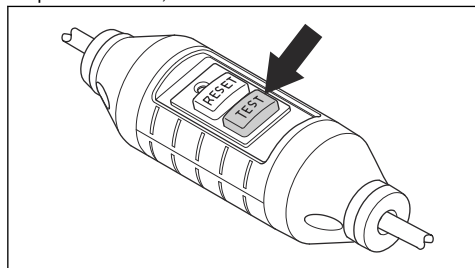


**AVERTISSEMENT:** Le PRCD doit être examiné à chaque fois que la prise de courant est branchée sur secteur.



**AVERTISSEMENT:** si le PRCD doit être réparé, adressez-vous toujours à un atelier spécialisé Husqvarna agréé.

1. Branchez la prise de courant du produit sur une prise secteur.
2. Appuyez sur le bouton « RESET » (réinitialiser). Le témoin au-dessus du bouton est rouge lorsque le courant est connecté.
3. Démarrez le produit, reportez-vous à la section *Pour démarrer le produit* à la page 38.
4. Appuyez sur le bouton « TEST » (réinitialiser). Si le produit s'arrête, le PRCD fonctionne correctement.



#### Transformateur d'isolation

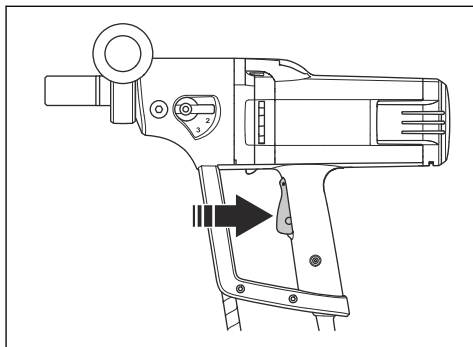
**Remarque:** Applicable aux modèles 110 V vendus au Royaume-Uni et en Irlande.

N'utilisez pas le modèle 110 V du produit sans transformateur d'isolation conforme aux normes EN/IEC 61558-1 et EN/IEC 61558-2-23.

Le transformateur d'isolation doit être équipé de fils de terre sur les côtés 230 V et 110 V.

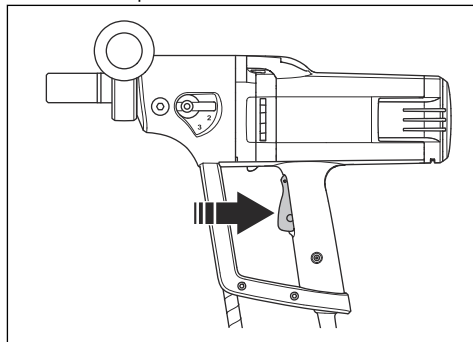
#### Interrupteur d'alimentation

L'interrupteur d'alimentation permet de démarrer et d'arrêter le produit.

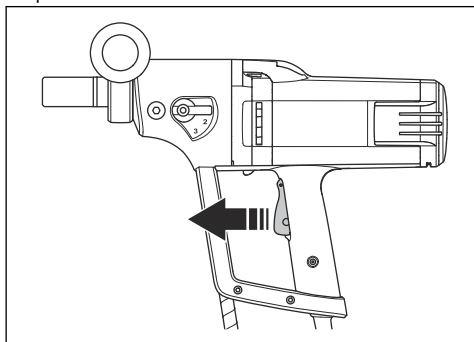


#### Pour contrôler l'interrupteur d'alimentation

1. Branchez la prise de courant du produit sur une prise secteur.
2. Appuyez sur l'interrupteur d'alimentation pour démarrer le produit.



3. Relâchez l'interrupteur d'alimentation pour arrêter le produit.



## Instructions de sécurité pour l'entretien



**AVERTISSEMENT:** Les contrôles et/ou les entretiens doivent être effectués

avec le moteur à l'arrêt et la prise électrique débranchée.

- Entretenez les accessoires et outils électriques. Vérifiez que des pièces en mouvement ne sont pas désalignées ou mal fixées, que des composants ne sont pas cassés ou détériorés de façon à nuire au bon fonctionnement de l'outil électrique. Si elle est endommagée, la machine à usiner doit être réparée avant toute réutilisation. De nombreux accidents sont dus à des machines mal entretenues.
- Maintenez les outils tranchants aiguisés et propres. Des outils tranchants correctement entretenus avec des bords aiguisés sont moins susceptibles de se coincer et sont plus faciles à contrôler.
- Confiez l'entretien de votre outil électrique à un mécanicien qualifié qui utilisera uniquement des pièces de rechange identiques. Cela permet de garantir la sécurité de la machine.

## Utilisation

### À faire avant d'utiliser le produit

1. Lisez attentivement le manuel d'utilisation et assurez-vous de bien comprendre les instructions.
2. Effectuez l'entretien quotidien. Reportez-vous à *Schéma d'entretien* à la page 41.
3. Assurez-vous que la tension et l'intensité nominales de la prise secteur sont identiques à ceux du produit.
4. Assurez-vous que le PRCD est en marche. Reportez-vous à *PRCD* à la page 32 et *Pour examiner le PRCD* à la page 33.
5. Assurez-vous que la zone de travail est propre et lumineuse.
6. Utilisez un équipement de protection individuel. Reportez-vous à *Équipement de protection individuel* à la page 32.
7. Assurez-vous que le produit est installé correctement. Le foret doit être fixé correctement.
8. Si vous utilisez le produit avec un bâti de forage, lisez attentivement la section correspondant au bâti de forage dans le manuel d'utilisation et assurez-vous de bien comprendre les instructions. Assurez-vous que le produit est fixé correctement.
9. Si vous n'utilisez pas de bâti de forage, la poignée auxiliaire doit être connectée et complètement serrée. Reportez-vous à *Pour régler la poignée auxiliaire dans une position appropriée* à la page 36.
10. Lorsque vous utilisez le produit pour un forage à sec, utilisez un aspirateur industriel. Reportez-vous à *Pour préparer le produit pour le forage à sec* à la page 36.

11. Lorsque vous utilisez le produit pour un forage à l'eau, assurez-vous que le système d'eau n'est pas endommagé et utilisez le raccord d'eau. Reportez-vous à *Pour préparer le produit pour le forage à l'eau* à la page 36.
12. Lorsque vous effectuez un forage inversé, assurez-vous de respecter les instructions applicables. Reportez-vous à *Pour préparer le produit pour le forage inversé* à la page 37.

### Pour utiliser le produit avec un bâti de forage



**REMARQUE:** si vous utilisez un bâti de forage, lisez attentivement cette section.



**REMARQUE:** lisez attentivement le manuel d'utilisation du bâti de forage.

Pour fixer le produit à un bâti de forage, reportez-vous au manuel du bâti de forage.

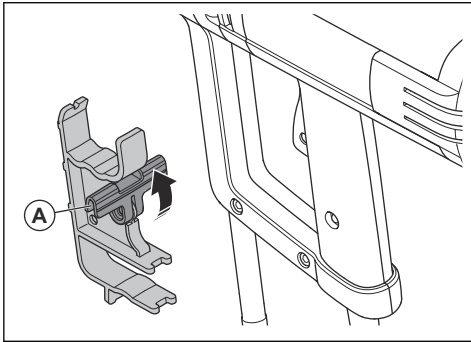
- Retirez la poignée auxiliaire lorsque vous utilisez le produit avec un bâti de forage.
- Utilisez toujours un bâti de forage si vous vous tenez sur un échafaudage lors du forage.
- Assurez-vous que le bâti de forage est fixé correctement.
- Assurez-vous que le produit est correctement fixé dans le bâti de forage.

- Utilisez-le uniquement avec un bâti de forage Husqvarnahomologué. Reportez-vous à *Accessoires* à la page 46.
- Fixez le support de verrouillage de la gâchette. Reportez-vous à *Fixation du support de verrouillage de la gâchette au produit* à la page 35.

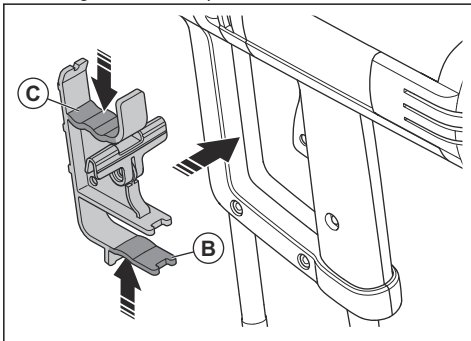
### Fixation du support de verrouillage de la gâchette au produit

Le support de verrouillage de la gâchette doit être utilisé uniquement lorsque vous utilisez un bâti de forage. Le support de verrouillage de la gâchette pousse et maintient l'interrupteur d'alimentation en position de démarrage.

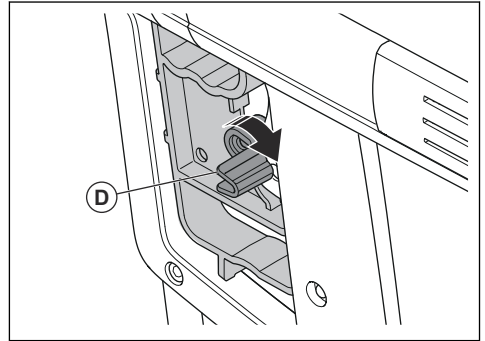
1. Fixez le produit à un bâti de forage. Reportez-vous à *Pour utiliser le produit avec un bâti de forage* à la page 34.
2. Tournez le bouton (A) dans le sens contraire des aiguilles d'une montre.



3. Placez votre pouce sur la partie inférieure (B) du support de verrouillage de la gâchette et placez 2 à 4 doigts sur la partie supérieure (C) du support de verrouillage de la gâchette. Rapprochez votre pouce et vos doigts et installez le support de verrouillage de la gâchette sur le produit.

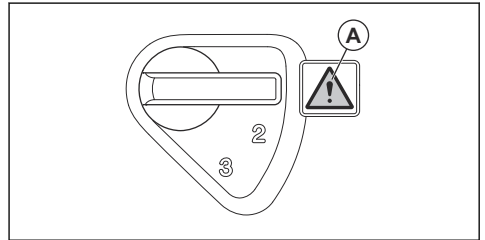


4. Tournez le bouton (D) dans le sens des aiguilles d'une montre pour maintenir l'interrupteur d'alimentation en position de démarrage.



### Pour utiliser le produit portatif

N'effectuez pas de forage portatif en première vitesse (A).



**AVERTISSEMENT:** n'effectuez pas de forage portatif en première vitesse. Le produit présente un couple élevé qui peut entraîner des blessures si le foret ne peut plus bouger librement.

1. Installez un foret d'un diamètre maximal de 75 mm. Plus le foret est grand, plus la réaction est dangereuse lorsque le foret ne peut pas bouger librement.
2. Verrouillez fermement la poignée auxiliaire en position avant de commencer le forage. Reportez-vous à *Pour régler la poignée auxiliaire dans une position appropriée* à la page 36.
3. Pendant le fonctionnement, gardez une position stable avec les pieds au sol.



**AVERTISSEMENT:** ne procédez pas au forage sur une échelle. Si le foret s'arrête brusquement, le couple élevé peut provoquer une chute.

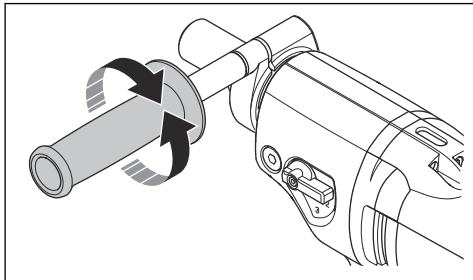
4. Passez à la vitesse 2 ou 3. Reportez-vous à *Pour changer de vitesse* à la page 38.



**AVERTISSEMENT:** n'effectuez pas de forage portatif en première vitesse. Le produit présente un couple élevé qui peut entraîner des blessures si le foret ne peut plus bouger librement.

## Pour régler la poignée auxiliaire dans une position appropriée

1. Tournez la poignée auxiliaire dans le sens contraire des aiguilles d'une montre pour la déverrouiller.



2. Déplacez la poignée auxiliaire autour de l'arbre à broche jusqu'à la position d'utilisation appropriée.
3. Tournez la poignée auxiliaire dans le sens des aiguilles d'une montre pour la verrouiller. Serrez complètement.

## Pour préparer le produit pour le forage à sec



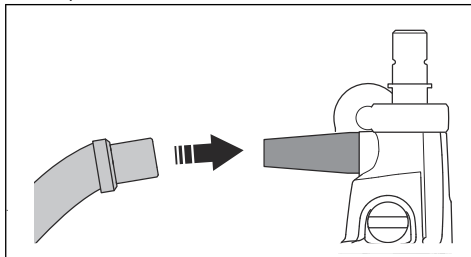
**AVERTISSEMENT:** Portez une protection respiratoire homologuée. Ne respirez pas les poussières dangereuses.



**AVERTISSEMENT:** n'utilisez pas d'aspirateur standard. Utilisez uniquement des aspirateurs industriels spécialement conçus pour les poussières dangereuses. Reportez-vous à *Capacité d'aspirateur industriel recommandée à la page 46* pour connaître les spécifications.

1. Branchez l'adaptateur d'aspirateur industriel sur le produit.

2. Branchez l'aspirateur industriel à l'adaptateur d'aspirateur industriel.



3. Mettez l'aspirateur industriel en marche.

## Pour préparer le produit pour le forage à l'eau



**REMARQUE:** assurez-vous que la pression de l'eau n'est pas trop élevée. Reportez-vous à *Caractéristiques techniques à la page 45*.

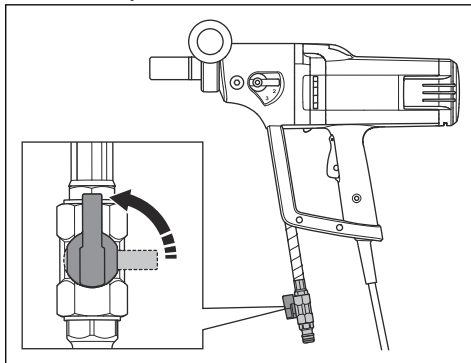


**REMARQUE:** pour éviter toute obstruction dans le circuit d'eau, utilisez uniquement de l'eau propre.



**REMARQUE:** utilisez uniquement un raccord d'alimentation en eau approuvé. Pour davantage d'informations, contactez votre revendeur.

1. Branchez le raccord mâle Gardena® avec robinet d'eau sur le raccord d'eau.
2. Ouvrez le système d'eau.



3. Réglez la pression de l'eau pour retirer tous les déchets du trou de forage.

## Pour préparer le produit pour le forage inversé

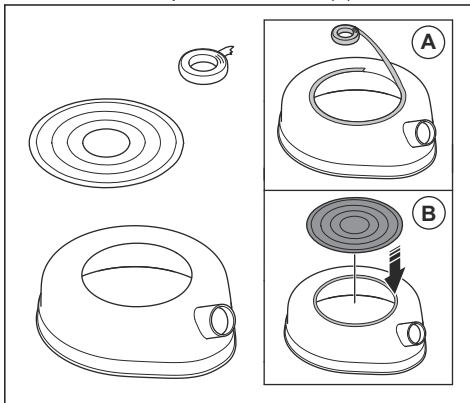


**AVERTISSEMENT:** lors d'un forage inversé, utilisez toujours un anneau récupérateur de boues doté d'un disque d'étanchéité. L'eau qui s'infiltré dans le produit augmente le risque d'électrocution.

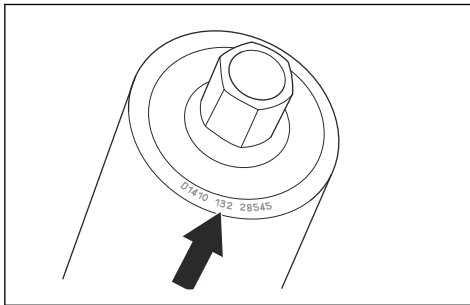


**REMARQUE:** utilisez un collecteur de boue ou un aspirateur industriel d'eau pour recueillir la boue.

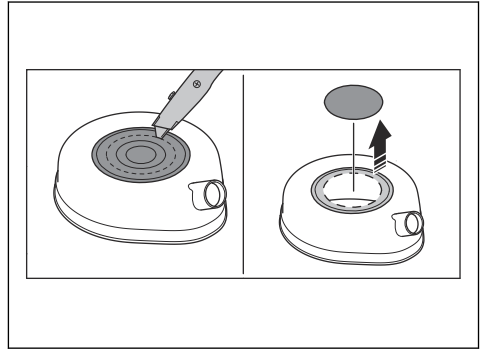
1. Nettoyez toute trace de graisse et de saleté sur la partie supérieure de l'anneau récupérateur de boues.
2. Fixez du ruban adhésif double face ou appliquez de la colle à pulvériser autour de l'ouverture supérieure de l'anneau récupérateur de boues (A).



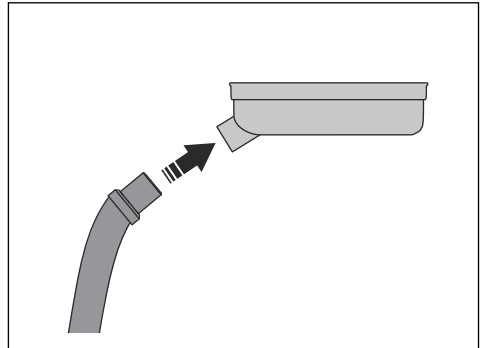
3. Placez le disque d'étanchéité sur l'ouverture supérieure pour en faire un couvercle (B). Fixez-le fermement.
4. Cherchez la dimension du moteur de forage sur le dessus du foret.



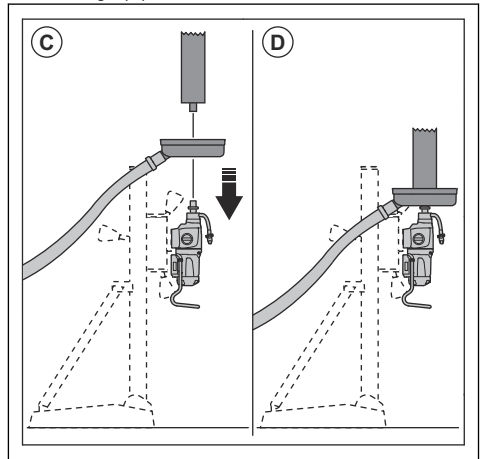
5. Pratiquez un trou dans le disque d'étanchéité très légèrement plus petit que le moteur de forage (0-150 mm).



6. Branchez le collecteur de boues/l'aspirateur industriel d'eau sur le raccord de l'anneau récupérateur de boues.

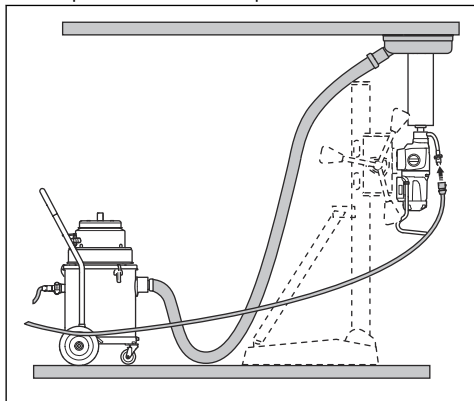


7. Placez l'anneau récupérateur de boues sur la broche de forage (C).



8. Installez le foret sur la broche de forage (D).

9. Démarrez le collecteur de boue/l'aspirateur industriel d'eau.
10. Levez le foret vers le plafond. Fixez l'anneau récupérateur de boues au plafond.



## Réduction de la température du moteur

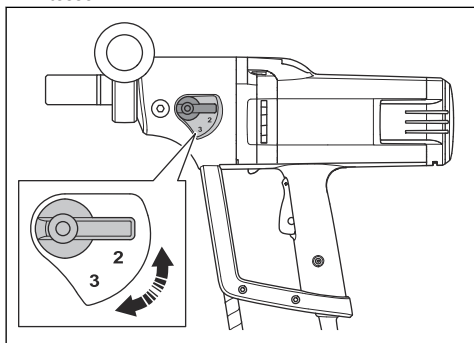
- Faites fonctionner le produit sans charge pendant 2 minutes afin de réduire la température du moteur.

## Pour changer de vitesse



**REMARQUE:** changez de vitesse uniquement lorsque le moteur ralentit ou s'arrête. Ne forcez pas pour changer de vitesse.

- Utilisez la vitesse appropriée pour le diamètre de foret. Reportez-vous à la plaque signalétique sur le produit ou *Caractéristiques techniques* à la page 45.
- Tournez la broche de forage et, en même temps, tournez le sélecteur de vitesse pour changer de vitesse.



## Pour démarrer le produit

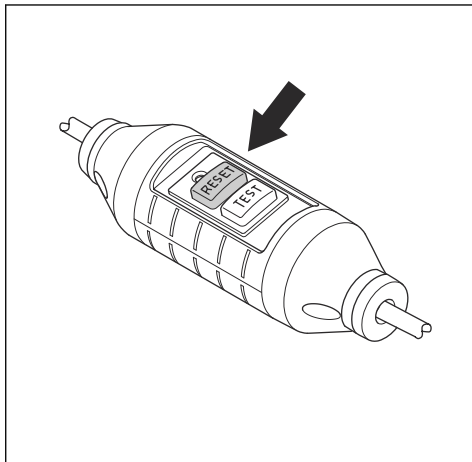


**AVERTISSEMENT:** assurez-vous que le foret peut tourner librement. Le foret commence à tourner lorsque le moteur démarre.

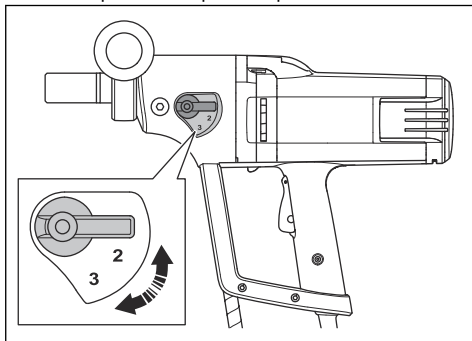


**AVERTISSEMENT:** chaque jour, lors du premier démarrage du produit, vérifiez le PRCD. Reportez-vous à *Pour examiner le PRCD* à la page 33.

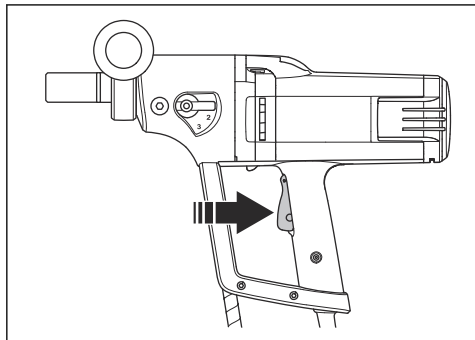
1. Branchez la prise de courant du produit sur une prise secteur.
2. Appuyez sur le bouton « RESET » (réinitialiser) du PRCD.



3. Pour régler la vitesse de fonctionnement, tournez la broche de forage en tournant simultanément le sélecteur de vitesse. Réglez le sélecteur de vitesse dans la position adaptée à l'opération.



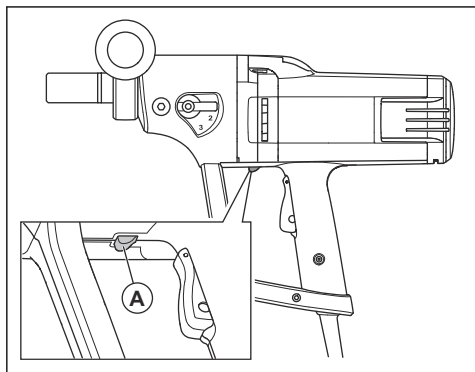
4. Pour le forage à l'eau, connectez le système d'eau et ouvrez le système d'eau. Reportez-vous à *Pour préparer le produit pour le forage à l'eau à la page 36*.
5. Pour le forage à sec, fixez l'aspirateur industriel au produit et démarrez l'aspirateur industriel. Reportez-vous à *Pour préparer le produit pour le forage à sec à la page 36*.
6. Appuyez sur l'interrupteur d'alimentation et maintenez-le enfoncé.



## Forage d'un avant-trou avec la fonction Smartstart™

La fonction Smartstart™ diminue la vitesse du moteur. Cela permet de créer un avant-trou. La vitesse réduite de la fonction Smartstart™ est uniquement applicable pour la création d'avant-trous et non pour le fonctionnement normal.

1. Démarrer le moteur. Assurez-vous que le foret ne touche pas le matériau.
2. Appuyez sur le bouton Smartstart™ (A) une fois. La vitesse diminue et la fonction Smartstart™ est activée.



3. Percez un avant-trou dans le matériau.

**Remarque:** la fonction Smartstart™ s'éteint automatiquement lorsque la vitesse augmente.

4. Pour arrêter la fonction Smartstart™ manuellement, appuyez à nouveau sur le bouton de la fonction Smartstart™.

## Pour utiliser le produit



**AVERTISSEMENT:** si le PRCD se déclenche, retirez le foret du trou avant d'appuyer sur « RESET » (réinitialiser).



**AVERTISSEMENT:** des accidents dangereux peuvent se produire si le noyau en béton reste dans le foret lorsque vous retirez le foret du trou.



**REMARQUE:** assurez-vous qu'aucun objet ne heurte le foret.



**REMARQUE:** ne forcez pas plus que nécessaire. Vous risqueriez de ralentir le fonctionnement du produit et de provoquer une surcharge du moteur.

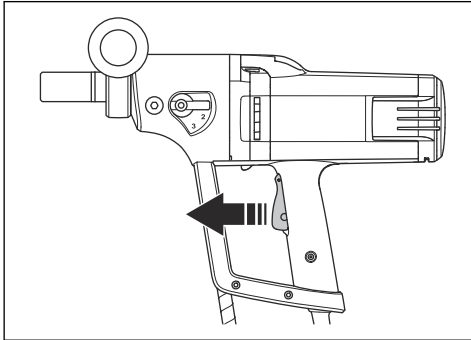
1. Démarrer le moteur. Reportez-vous à la section *Pour démarrer le produit à la page 38*.
2. Laissez le moteur atteindre sa vitesse maximale avant de toucher la surface avec le foret.
3. Si vous utilisez un bâti de forage, poussez le foret dans la surface à l'aide du levier d'avance.
4. Si vous percez des renforts en fer, utilisez une pression initiale plus élevée et un rapport inférieur à celui que vous utiliseriez s'il n'y avait pas de renforts en fer.
5. Appliquez une très faible pression au départ afin de maintenir le foret dans la position adéquate.
6. Lors d'un forage à l'eau, assurez-vous que l'eau élimine tous les déchets du trou de forage. Réglez la pression de l'eau si nécessaire.
7. Lors d'un forage à sec, assurez-vous que l'aspirateur industriel élimine toute la poussière.
8. Arrêtez le moteur. Reportez-vous à la section *Pour arrêter le produit à la page 39*.

## Pour arrêter le produit



**AVERTISSEMENT:** le foret continue de tourner quelques instants après l'arrêt du moteur. N'arrêtez pas le foret avec les mains. Vous pourriez vous blesser.

1. Relâchez l'interrupteur d'alimentation pour arrêter le produit.



2. Patientez jusqu'à ce que le foret soit complètement arrêté.
3. Débranchez la fiche d'alimentation du produit.

## Pour réinitialiser la protection contre la surcharge du moteur

1. Arrêtez le produit. Reportez-vous à la section *Pour arrêter le produit à la page 39*.
2. Retirez l'obstruction du foret.
3. Faites démarrer le produit. Reportez-vous à la section *Pour démarrer le produit à la page 38*.

## Pour remplacer le foret



**AVERTISSEMENT:** retirez la fiche de la prise de courant avant de remplacer le foret.



**AVERTISSEMENT:** utilisez des gants de protection. Laissez le produit refroidir avant de retirer le foret. Le foret et sa zone adjacente sont brûlants après utilisation.



**AVERTISSEMENT:** utilisez uniquement des forets diamantés

## Entretien

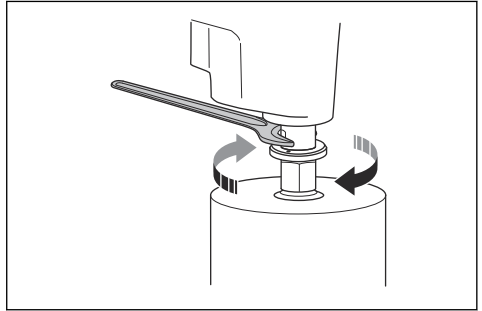
### Introduction



**AVERTISSEMENT:** assurez-vous de lire et de comprendre le chapitre sur la sécurité avant de procéder à l'entretien du produit.

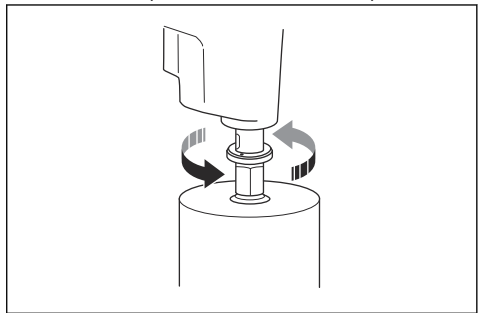
homologués pour votre produit. Pour plus d'informations, contactez votre revendeur Husqvarna.

1. Assurez-vous que vous disposez d'un foret neuf, de la clé fournie et d'une graisse hydrofuge.
2. Fixez l'arbre de la tige à l'aide de la clé.
3. Tournez le foret dans le sens des aiguilles d'une montre pour le retirer.



**REMARQUE:** ne tapez pas sur le produit pour retirer le foret. La boîte de vitesses et le bâti de forage risquent d'être endommagés.

4. Lubrifiez le filetage de l'arbre à broche avec de la graisse hydrofuge.
5. Tournez le foret dans le sens contraire des aiguilles d'une montre pour l'installer. Serrez complètement.



**AVERTISSEMENT:** Pour éviter les blessures, débranchez le cordon d'alimentation avant de procéder à l'entretien.




## Schéma d'entretien

\* = Entretien général effectué par l'opérateur. Les instructions ne sont pas mentionnées dans ce manuel d'utilisation.

X = Les instructions sont mentionnées dans ce manuel d'utilisation.

O = Contactez un atelier spécialisé Husqvarna.

Entretien	Avant chaque utilisation	Après chaque utilisation	Au quotidien	Après les 100 premières heures	Toutes les 300 heures
Assurez-vous que les pièces mobiles fonctionnent correctement et se déplacent librement.	*				
Assurez-vous que l'outil de coupe est affûté et propre.	*				
Assurez-vous que le PRCD fonctionne correctement.					
 <b>AVERTISSEMENT:</b> non applicable aux modèles de 100-120 V vendus au Royaume-Uni et en Irlande. Reportez-vous à la section <i>PRCD</i> à la page 32.	X				
Vérifiez que le cordon d'alimentation, les autres câbles et la prise de courant ne sont pas endommagés.	*	*			
Assurez-vous que les poignées et les surfaces de préhension sont sèches, propres et exemptes d'huile et de graisse.	*	*			
Assurez-vous que le produit est propre.	X	X			
Vérifiez que les joints d'arbre ne sont pas endommagés et ne présentent pas de fuite d'eau.		X			
Assurez-vous que les écrous et les vis sont serrés.			*		
Assurez-vous que l'interrupteur fonctionne correctement.			X		
Remplacez l'huile d'engrenage.				O	
Vérifiez que les balais de charbon ne sont pas endommagés.					X

## Nettoyage du produit



**REMARQUE:** Assurez-vous que de l'eau ne s'infiltré pas dans le moteur ou la boîte de vitesses.



**REMARQUE:** N'utilisez pas d'eau courante pour nettoyer le produit.

- Utilisez un chiffon sec ou humide pour nettoyer le produit.

- Éliminez toute obstruction de toutes les prises d'air. Une prise d'air obstruée réduit les performances du produit et peut provoquer une surchauffe du moteur.
- Nettoyez et lubrifiez le filetage de l'arbre à broche.

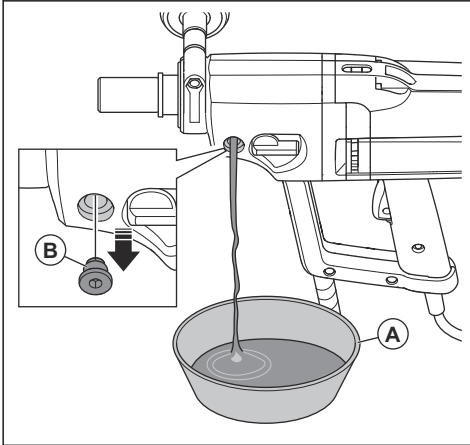
## Pour effectuer l'entretien du foret diamanté

- Assurez-vous que les segments d'outils diamantés sont affûtés. Affûtez les segments en diamant émoussés à l'aide d'une pierre d'affûtage SiC.
- Assurez-vous qu'il n'y a pas de vibrations dans le foret. En cas de vibrations dans le foret, les segments diamantés peuvent se desserrer.

- Assurez-vous que la taille des segments en diamant soit suffisamment supérieure aux diamètres intérieur et extérieur du tube de foret.
- Lubrifiez le filetage du foret avec de la graisse hydrofuge. Cela permet de desserrer l'outil plus facilement.
- Assurez-vous que la tolérance d'excentricité radiale au niveau des segments en diamant du foret ne dépasse pas 1 mm.

## Pour remplacer l'huile d'engrenage

1. Placez un récipient (A) sous le bouchon d'huile d'engrenage.



2. Retirez le bouchon d'huile d'engrenage (B).
3. Vidangez l'huile d'engrenage dans le récipient.
4. Si nécessaire, faites nettoyer la boîte de vitesses par un centre d'entretien Husqvarna agréé.
5. Remplissez le boîtier d'engrenage avec de l'huile d'engrenage neuve. Reportez-vous à *Caractéristiques techniques à la page 45*.
6. Nettoyez le bouchon d'huile d'engrenage et installez-le.

## Pour examiner le raccord d'eau



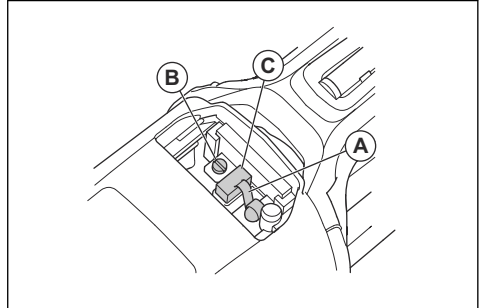
**REMARQUE:** En cas de fuite d'eau au niveau de la bague du raccord d'eau,

les joints d'arbre doivent être remplacés immédiatement.

- Faites réparer le raccord d'eau par un centre d'entretien Husqvarna agréé.

## Pour examiner les balais de charbon

1. Retirez les 3 vis et enlevez le capot d'inspection.
2. Soulevez le ressort de retenue du balai d'un côté (A).



3. Desserrez la vis (B).
4. Retirez le connecteur du balai de charbon.
5. Retirez le balai de charbon (C) du support.
6. Nettoyez le balai de charbon avec de l'air comprimé ou une brosse. Remplacez le balai de charbon s'il est usé.
7. Installez le balai de charbon neuf. Assurez-vous que le balai de charbon bouge facilement dans les supports de balai.
8. Soulevez le ressort de support de balai dans sa position correcte.
9. Installez le raccord de balais de charbon et serrez la vis.
10. Effectuez la même procédure avec le balai de charbon situé de l'autre côté du produit.
11. Installez le capot d'inspection et serrez les 3 vis. Démarrez le produit et laissez le produit fonctionner au ralenti durant 10 minutes.

## Dépannage

### Guide de dépannage

Si vous ne trouvez pas de solution à votre problème dans ce manuel de l'opérateur, contactez votre atelier spécialisé Husqvarna.

Problème	Étapes à effectuer immédiatement	Cause possible	Solution
Le produit ne démarre pas lorsque vous appuyez sur l'interrupteur d'alimentation.	Relâchez l'interrupteur d'alimentation.	Si un voyant rouge s'allume sur le PRCD, le courant est déconnecté.	Appuyez sur le bouton « RESET » (réinitialiser) du PRCD.  Si le PRCD déconnecte à nouveau le courant, contactez un centre d'entretien Husqvarna agréé.
Le produit s'arrête.	Relâchez l'interrupteur d'alimentation.	La source de courant présente un défaut. Le courant est déconnecté par la fonction Elgard™.	Vérifiez la source de courant.
		Le foret est obstrué. Le courant est déconnecté par la fonction Elgard™.	Tournez le foret vers la droite et la gauche, utilisez une clé mixte. Retirez avec précaution le produit du trou de forage.
		Une charge trop élevée provoque une surcharge du moteur. Le courant est déconnecté par la fonction Elgard™.	Assurez-vous que le foret peut être facilement tourné dans le trou de forage.
		Si un voyant rouge s'allume sur le PRCD, le courant est déconnecté.	Appuyez sur le bouton « RESET » (réinitialiser) du PRCD.  Si le PRCD déconnecte à nouveau le courant, contactez un centre d'entretien Husqvarna agréé.
Le produit ne continue pas à pénétrer dans la surface, ralentit et s'arrête.	Relâchez l'interrupteur d'alimentation.	Les segments en diamant sont émoussés.	Affûtez les segments en diamant à l'aide d'une pierre d'affûtage SiC.
Des résidus indésirables s'accumulent autour du trou pendant l'opération.		La pression de l'eau est trop basse.	Augmentez la pression de l'eau. Reportez-vous à la section <i>Caractéristiques techniques</i> à la page 45.
Les segments en diamant du foret sont retirés de leur liaison.		Il y a beaucoup de vibrations dans le produit pendant l'opération.	Utilisez la bonne charge lorsque vous utilisez le produit.
Il y a une fuite d'huile d'engrenage.		Les joints sont usés et doivent être remplacés.	Contactez un centre d'entretien Husqvarna agréé.
Il y a une fuite d'eau au niveau de l'orifice de la bague du raccord d'eau.		Les joints d'arbre sont défectueux.	Contactez un centre d'entretien Husqvarna agréé. Veillez à toujours utiliser de l'eau propre.
Le produit ne fonctionne pas correctement.	Réduisez la force.	Une charge trop élevée provoque une surcharge du moteur.	Utilisez moins de force lorsque vous percez.

---

## Transport et stockage

---

- Débranchez la prise de la prise secteur avant de transporter ou de stocker l'appareil.
- Retirez le foret avant de transporter ou de remettre le produit. Cette précaution permet d'éviter d'endommager votre produit et les forets.
- Conservez le produit dans un endroit verrouillé afin que des enfants ou personnes qui ne sont pas autorisées à l'utiliser ne puissent pas y avoir accès.
- Entreposez le produit dans un endroit sec et à l'abri du gel.
- Sécurisez le produit lors de son transport pour éviter tout dommage ou accident.

## Caractéristiques techniques

### Caractéristiques techniques

<b>Moteur</b>			
Moteur électrique	Monophasé		
Tension nominale, V	100-120 ou 220-240		
Fréquence nominale, Hz	50/60		
<b>Intensité nominale, A</b>			
100-120 V (US)	15		
100-120 V (R.-U., Irlande)	16		
220-240 V	8		
<b>Intensité PRCD, mA</b>			
100-120 V (US)	6		
220-240 V	10		
<b>Foret</b>			
Diamètre de foret max. avec bâti, mm/po	150/6		
Diamètre de foret max., portatif, mm/po	75/3		
<b>Poids, kg</b>	7/15,4		
<b>Refroidissement par eau</b>			
Raccord d'eau	Gardena®		
Pression de l'eau maximale, bar	3		
<b>Raccord d'outil</b>			
Filetage de broche	1 1/4", G 1/2"		
<b>Huile d'engrenage</b>	Mobil Lube 1 SHC 75W90 ou qualité équivalente.		
<b>Données de fonctionnement</b>			
Vitesse	1	2	3
Vitesse du foret avec charge, tr/min	580	1 400	2 900
Vitesse du foret sans charge, tr/min	730	1 700	3 600
Diamètre de foret recommandé, mm/po	100-150/4-6 <sup>5</sup>	40-80/2-4	0-40/0-2

<sup>5</sup> Il n'est pas recommandé d'utiliser la vitesse 1 pour le forage portatif.

## Niveaux sonores

Émissions sonores <sup>6</sup>	
Niveau de puissance sonore, L <sub>W</sub> (dB(A))	114
Niveaux sonores <sup>7</sup>	
Niveau de pression sonore à l'oreille des opérateurs, L <sub>p</sub> , (dB(A))	98
Niveaux de vibration lors du perçage dans le béton, a <sub>h</sub> , DD <sup>8</sup>	
Poignée avant, m/s <sup>2</sup>	2,8
Poignée arrière, m/s <sup>2</sup>	2,6

---

## Accessoires

---

Pour davantage d'informations sur les accessoires, contactez votre atelier spécialisé.

Bâti de forage DS 150.
Anneau récupérateur de boues.
Disque d'étanchéité.

## Capacité d'aspirateur industriel recommandée

Les caractéristiques techniques des aspirateurs industriels ne fournissent pas de comparaison entre

les performances réelles sur la durée des différents modèles d'aspirateurs industriels. Pour les produits Husqvarna, vous trouverez des données objectives sur [www.husqvarnacp.com](http://www.husqvarnacp.com).

Débit d'air min., m <sup>3</sup> /h / CFM	400/236
Dépression min., kPa/psi	22/3,6
Élévation d'eau min., m/po	2,3/90
Accessoire pour l'aspirateur industriel, mm/po	50/2

<sup>6</sup> Émissions sonores dans l'environnement mesurées en tant que puissance acoustique conformément à la norme EN 62841-2-1. Mesure d'incertitude attendue : 2,5 dB(A).

<sup>7</sup> Niveau de pression sonore conformément à la norme EN 62841-2-1. Mesure d'incertitude attendue : 1 dB(A).

<sup>8</sup> Niveau de vibrations conformément à la norme EN 62841-2-1. Les données reportées pour le niveau de vibrations montrent une dispersion statistique typique (déviations standard) de 1,5 m/s<sup>2</sup>. Les valeurs de vibration sont valables pour le fonctionnement manuel.

---

## Entretien

---

### **Atelier d'entretien agréé**

Pour trouver l'atelier d'entretien Husqvarna Construction Products agréé le plus proche, rendez-vous sur le site Web [www.husqvarnacp.com](http://www.husqvarnacp.com).

# Déclaration de conformité

## Déclaration de conformité UE

Nous, **Husqvarna AB**, SE-561 82 Huskvarna, Suède,  
tél : +46-36-146500, déclarons sous notre entière  
responsabilité que le produit :

<b>Description</b>	<b>Moteur de forage diamanté transportable</b>
<b>Marque</b>	Husqvarna
<b>Type/Modèle</b>	DM 230
<b>Identification</b>	Numéros de série à partir de 2022 et ultérieurs

est entièrement conforme à la réglementation et aux  
directives de l'UE suivantes :

<b>Directive/Réglementation</b>	<b>Description</b>
2006/42/EC	« relative aux machines »
2014/30/EU	« relative à la compatibilité électromagnétique »
2014/35/EU	« relative aux équipements électriques »
2011/65/EU	« relative à la limitation de l'utilisation de certaines substances dangereuses »

et que les normes harmonisées et/ou les spécifications  
techniques suivantes sont appliquées :

EN ISO 12100:2010

EN 62841-2-1:2018

EN 55014-1:2017

EN 55014-2:2015

EN 61000-3-2:2014

EN 61000-3-3:2013

EN IEC 63000:2018

Partille, 2022-03-11



Erik Silfverberg

Directeur R&D, équipement de découpe et forage du  
béton

Husqvarna AB, division Construction

Responsable de la documentation technique



---

## Marques déposées

---

La marque et les logos *Bluetooth*<sup>®</sup> sont des marques déposées appartenant à *Bluetooth SIG, inc.* , et toute utilisation de ces marques par Husqvarna est régie par une licence.

---

## Inhoud

---

Inleiding.....	50	Technische gegevens.....	70
Veiligheid.....	52	Accessoires.....	71
Werking.....	59	Service.....	71
Onderhoud.....	65	Verklaring van overeenstemming.....	72
Probleemoplossing.....	67	Geregistreerde handelsmerken.....	73
Transport en opslag.....	69		

---

## Inleiding

---

### Productbeschrijving

Deze Husqvarna-boormotor is een elektrische handgedragen diamantkernboor. Deze kan droog of nat op alle goedgekeurde materialen worden gebruikt. Zie *Gebruik op pagina 50*.

De diamantboor is een holle boor met diamantsegmenten.

Als u nat boort, stroomt water door de kogelklep, de slang en de diamantboorbit. Het water spoelt het uitgeboorde materiaal uit de sleuf en verlaagt de temperatuur in de boorbit. Gebruik een stofzuiger en een ring die het water opvangt om het water weer te verwijderen.

Als u droog boort, gebruik dan een stofzuiger om het materiaal via de boorbit en de aansluiting van de stofzuiger te verwijderen. Hierdoor wordt de temperatuur in de boorbit verlaagd.

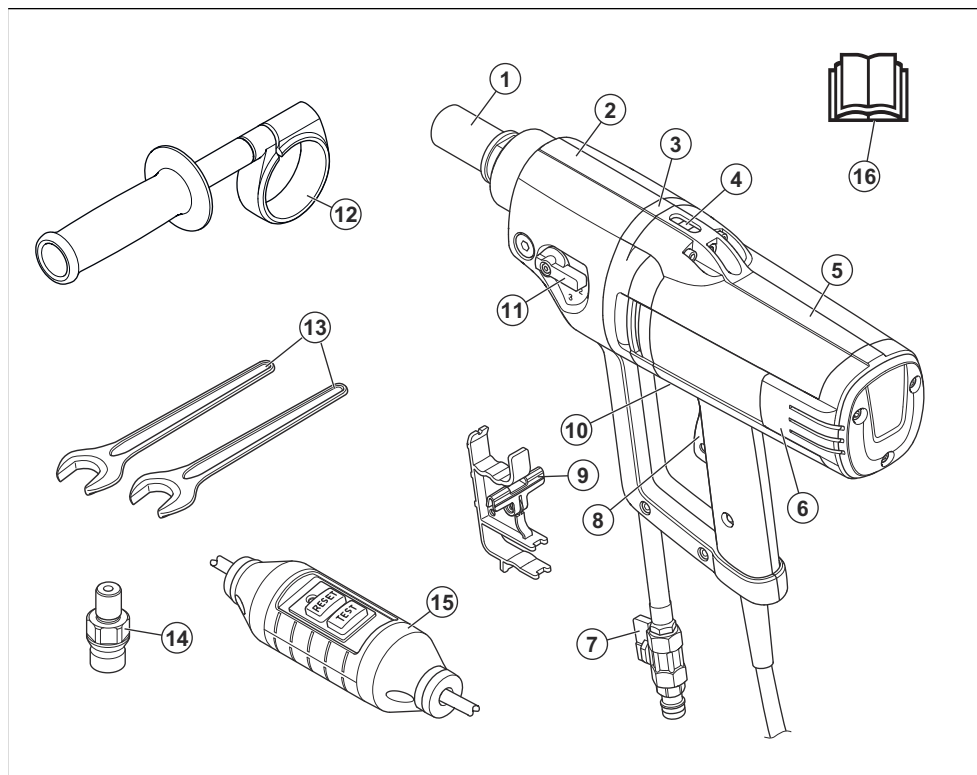
Het product heeft een Smartstart™-functie. Zie *Een gat boren met de Smartstart™-functie op pagina 64*.

### Gebruik

Het product wordt gebruikt voor het boren van beton, baksteen en steen. Elk ander gebruik is niet geschikt.

Het product wordt door ervaren gebruikers toegepast in industriële processen.

## Productoverzicht



1. Boorspil
2. Tandwielkast
3. Lekopening
4. Waterpas
5. Motormodule
6. Inspectiedeksel
7. Wateraansluiting
8. Aan-/uitschakelaar
9. Schakelaarvergrendelingssteun
10. Smartstart™
11. Versnellingsknop
12. Extra handgreep en adapter
13. Sleutels
14. Adapterkoppeling (alleen Noord-Amerika)
15. PRCD

**Let op:** In deze handleiding gebruiken we de term PRCD voor PRCD en GFCI.

16. Bedieningshandleiding

## Symbolen op het product



**WAARSCHUWING!** Dit product kan gevaarlijk zijn en ernstig of fataal letsel toebrengen aan de gebruiker of anderen. Wees voorzichtig en gebruik het product op de juiste manier.



Lees de bedieningshandleiding goed door en zorg dat u de instructies hebt begrepen voordat u dit product gaat gebruiken.



Gebruik altijd een goedgekeurde persoonlijke beschermingsuitrusting. Zie *Persoonlijke beschermingsuitrusting op pagina 57*.



Dit product voldoet aan de geldende EG-richtlijnen.



**Milieumarkering.** Het product of de verpakking ervan is geen huishoudelijk afval. Lever het in bij een erkende verwijderingslocatie voor elektrische en elektronische apparatuur.



Zorg ervoor dat er geen water in het product kan lekken wanneer u in het plafond boort. Gebruik een geschikte watertank.

**Let op:** Overige op het product aangebrachte symbolen/plaatjes verwijzen naar specifieke eisen aan certificering voor bepaalde markten.

## Schade aan het product

We zijn niet verantwoordelijk voor schade aan ons product als:

- het product niet goed is gerepareerd.
- het product is gerepareerd met onderdelen die niet van de fabrikant afkomstig zijn, of onderdelen die niet zijn goedgekeurd door de fabrikant.
- het product een accessoire bevat dat niet afkomstig is van de fabrikant of niet is goedgekeurd door de fabrikant.
- het product niet is gerepareerd door een erkend servicepunt of door een erkende autoriteit.

## Veiligheid

### Veiligheidsdefinities

Waarschuwingen, voorzorgsmaatregelen en opmerkingen worden gebruikt om te wijzen op belangrijke delen van de handleiding.



**WAARSCHUWING:** Wordt gebruikt om te wijzen op de kans op ernstig of fataal letsel voor de gebruiker of omstanders wanneer de instructies in de handleiding niet worden gevolgd.



**OPGELET:** Wordt gebruikt indien er een risico bestaat op schade aan het product en andere eigendommen of aan de omgeving wanneer de instructies in de handleiding niet worden gevolgd.

**Let op:** Geven verdere informatie die nodig is in een bepaalde situatie.

### Algemene veiligheidswaarschuwingen voor elektrisch gereedschap



**WAARSCHUWING:** Lees alle veiligheidswaarschuwingen, instructies, illustraties en specificaties die worden meegeleverd met dit elektrisch gereedschap. Het niet opvolgen van ieder van de onderstaande instructies kan leiden tot elektrische schokken, brand en/of ernstig letsel.

**Bewaar alle waarschuwingen en instructies voor later gebruik.** De term "elektrisch gereedschap" in de waarschuwingen verwijst zowel naar gereedschappen

die op het lichtnet (met snoer) werken als gereedschappen die met een accu (snoerloos) werken.

### Veiligheid van het werkgebied

- **Zorg ervoor dat de werkplek schoon en goed verlicht is.** In rommelige of donkere gebieden gebeuren eerder ongelukken.
- **Gebruik elektrisch gereedschap niet in een omgeving waar ontploffingsgevaar bestaat, zoals in de buurt van brandbare vloeistoffen, gassen of stof.** Elektrische apparaten creëren vonken waardoor het stof of de dampen kunnen ontbranden.
- **Houd kinderen en omstanders op afstand wanneer u elektrisch gereedschap gebruikt.** U kunt de controle over het apparaat verliezen als u afgeleid wordt.

### Elektrische veiligheid



**WAARSCHUWING:** Er is altijd kans op schokken van elektrische producten. Gebruik het product niet bij slecht weer. Voorkom aanraken van bliksemafleiders en metalen voorwerpen. Volg altijd de instructies in de bedieningshandleiding om beschadiging te voorkomen.



**WAARSCHUWING:** Reinig het product nooit met water. Water kan binnendringen in het elektrische systeem of de motor en kan schade of kortsluiting in het product veroorzaken.



**WAARSCHUWING:** Gebruik het product niet zonder de RDC geleverd met het gereedschap.

- Elektrisch gereedschap moet geschikt zijn voor het betreffende stopcontact. Wijzig nooit de stekker.

- Gebruik nooit een adapterstekker in combinatie met geaarde elektrische gereedschappen. Ongewijzigde stekkers en overeenkomende stopcontacten verkleinen het risico op elektrische schokken.
- Vermijd lichamelijk contact met geaarde oppervlakken, zoals buizen, radiatoren, fornuizen en koelkasten. Er is een verhoogd risico op elektrische schokken als uw lichaam geaard is.
  - Als gebruik van een elektrisch apparaat in een vochtige omgeving onvermijdelijk is, gebruik dan een netvoeding met aardlekschakelaar (RCD). Gebruik van een RCD vermindert het risico op elektrische schokken. Een RCD met een actiestroom van minder dan 30 mA wordt aanbevolen.
  - Sluit het product alleen aan op een correct geaard stopcontact.
  - Controleer of de netspanning en afzekering overeenkomt met de spanning die is aangegeven op het typeplaatje op de machine.
  - Controleer of de voedingskabel en de verlengkabel onbeschadigd en in goede staat zijn.
  - Gebruik een verlengkabel die geschikt is voor gebruik buitenshuis wanneer u buiten werkt met elektrisch gereedschap. Het gebruik van een kabel die geschikt is voor gebruik buitenshuis, vermindert het risico op elektrische schokken.
  - Gebruik het product niet als de kabel is beschadigd, maar breng het product voor reparatie naar een erkend servicecentrum. Een beschadigde kabel kan gevaarlijk letsel en in het ergste geval de dood tot gevolg hebben.
  - Zorg ervoor dat de verlengkabel voordat u deze gebruikt helemaal is uitgerold om oververhitting te voorkomen.
  - Gebruik de kabel niet voor oneigenlijke doeleinden. Gebruik de kabel nooit om het elektrische apparaat te dragen, het mee te slepen of om de stekker uit het stopcontact te trekken. Houd de kabel uit de buurt van warmte, olie, scherpe randen en bewegende onderdelen. Beschadigde of in de knoop geraakte kabels verhogen het risico op elektrische schokken.
  - Stel elektrische gereedschappen niet bloot aan regen of vochtige omstandigheden. Water dat in elektrisch gereedschap binnendringt, verhoogt het risico op elektrische schokken.
  - Zorg ervoor dat de kabel achter u ligt voordat u het product gebruikt. Zo voorkomt u dat de kabel beschadigd raakt.
  - **Stel elektrische gereedschappen niet bloot aan regen of vochtige omstandigheden.** Water dat in elektrisch gereedschap binnendringt, verhoogt het risico op elektrische schokken
  - **Gebruik de kabel niet voor oneigenlijke doeleinden. Gebruik de kabel nooit om het elektrische apparaat te dragen, het mee te slepen of om de stekker uit het stopcontact te trekken. Houd de kabel uit de buurt van warmte, olie, scherpe randen en bewegende onderdelen.** Beschadigde of in de knoop geraakte kabels verhogen het risico op elektrische schokken

- **Gebruik een verlengkabel die geschikt is voor gebruik buitenshuis wanneer u buiten werkt met elektrisch gereedschap.** Het gebruik van een kabel die geschikt is voor gebruik buitenshuis, vermindert het risico op elektrische schokken.

## Persoonlijke veiligheid

- **Wees altijd alert, kijk wat u doet en gebruik uw gezonde verstand wanneer u elektrisch gereedschap gebruikt. Gebruik elektrisch gereedschap niet als u moe bent of onder invloed bent van drugs, alcohol of medicijnen.** Een moment van onoplettendheid tijdens het gebruik van elektrische apparaat kan leiden tot ernstig persoonlijk letsel.
- **Maak altijd gebruik van persoonlijke beschermingsmiddelen. Draag altijd oogbescherming.** Beschermingsmiddelen zoals een stofmasker, veiligheidsschoenen met antislipprofiel, een veiligheidshelm of gehoorbescherming in relevante werkomstandigheden beperken letsel.
- **Voorkom een onbedoelde start. Zorg ervoor dat de schakelaar in de stand Off staat voordat u het gereedschap aansluit op een spanningsbron en/of accupack, oppakt of draagt.** Het dragen van elektrische apparaten met uw vinger op de schakelaar of het onder spanning zetten van elektrische apparaten waarvan de schakelaar op aan staat, kan makkelijk leiden tot ongelukken.
- **Verwijder eventuele (instel)sleutels voordat u het elektrisch gereedschap inschakelt.** Een sleutel die is bevestigd aan een draaiend onderdeel van het elektrische gereedschap kan persoonlijk letsel tot gevolg hebben.
- **Voorkom overstrekken. Zorg dat u te allen tijde stevig en in balans staat.** Hierdoor heeft u een betere controle over het apparaat in onverwachte situaties.
- **Draag geschikte kleding. Draag geen losse kleding of sieraden. Houd uw haar en kleding uit de buurt van bewegende onderdelen.** Losse kleding, sieraden of lang haar kunnen verstrikt raken in bewegende onderdelen.
- **Als de mogelijkheid bestaat voor het opvangen van stof moet u ervoor zorgen dat deze is aangesloten en op de juiste wijze wordt gebruikt.** Het gebruik van stofopvang kan stofgerelateerde gevaren beperken.
- **Laat de vertrouwdheid met de door u gebruikte apparaten door het frequente gebruik ervan niet toe leiden dat u de veiligheidsprincipes negeert.** Een onzorgvuldige handeling kan binnen een fractie van een seconde leiden tot ernstig letsel.

## Gebruik en verzorging van elektrische apparaten

- **Gebruik elektrische gereedschap niet voor taken waarvoor het niet geschikt is. Gebruik het juiste elektrische apparaat voor uw toepassing.** Met het juiste elektrische apparaat kunt u de taak beter en

veiliger uitvoeren met de snelheid waarvoor het is ontworpen.

- **Gebruik het elektrisch gereedschap niet als de aan/uitschakelaar niet werkt.** Elektrische apparaten die niet bediend kunnen worden met de schakelaar zijn gevaarlijk en moeten gerepareerd worden.
- **Haal de stekker uit het stopcontact en/of verwijder het accupack (indien verwijderbaar) van het elektrische gereedschap voordat u aanpassingen maakt, accessoires verwisselt of het elektrische gereedschap opbergt.** Deze voorzorgsmaatregelen verkleinen het risico op het per ongeluk starten van het elektrische apparaat.
- **Berg elektrisch gereedschap dat u niet nodig hebt op buiten het bereik van kinderen en laat personen die onbekend zijn met het elektrisch gereedschap of deze instructies niet werken met het elektrisch gereedschap.** Elektrische apparaten zijn gevaarlijk in handen van ongetrainde gebruikers.
- **Zorg voor een deugdelijk onderhoud van elektrische gereedschappen en accessoires.** Controleer op onjuiste montage of vastlopen van bewegende delen, gebroken onderdelen en andere condities die de werking van het elektrische gereedschap kunnen beïnvloeden. Als het elektrische apparaat beschadigd is, moet u het laten repareren voordat u het gebruikt. Veel ongelukken worden veroorzaakt door slecht onderhouden elektrische apparaten.
- **Houd snijgereedschappen scherp en schoon.** Goed onderhouden snijgereedschappen met scherpe snijranden zullen minder gauw vastlopen en zijn eenvoudiger onder controle te houden.
- **Gebruik het elektrisch gereedschap, de accessoires, gereedschapsbits en dergelijke in overeenstemming met deze instructies en houd hierbij rekening met de werkomstandigheden en het type klus dat moet worden uitgevoerd.** Als u het elektrische apparaat voor andere toepassingen gebruikt dan waarvoor het is bedoeld, kan er een gevaarlijke situatie ontstaan.
- **Houd de handgrepen en grijppoppervlakken droog, schoon en vrij van olie en vet.** Als handgrepen en grijppoppervlakken glad zijn, kan dit ervoor zorgen dat het gereedschap in onverwachte situaties niet veilig kan worden gehanteerd en bediend.

## Service

- **Laat uw elektrische apparaat repareren door een gekwalificeerde monteur en gebruik uitsluitend identieke vervangingsonderdelen.** Dit zorgt ervoor dat de veiligheid van het elektrisch gereedschap wordt gehandhaafd.
- **Voer nooit onderhoud uit aan beschadigde accupacks.** Onderhoud aan accupacks mag alleen worden uitgevoerd door de fabrikant of geautoriseerde dienstverleners.

## Veiligheidswaarschuwingen voor het boren - voor handmatig gebruik



**WAARSCHUWING:** De trillingsemisatie tijdens het feitelijke gebruik van de machine kan afwijken van de opgegeven totaalwaarde en is afhankelijk van de manier waarop het gereedschap wordt gebruikt.

### Veiligheidsinstructies voor elk handmatig gebruik

- **Gebruik de extra handgreep (handgrepen).** Verlies van controle kan tot persoonlijk letsel leiden.
- **Boor niet handmatig vanaf een ladder of steiger.**
- **Zorg ervoor dat u stevig staat.**
- **Houd het elektrisch gereedschap alleen vast bij de geïsoleerde grijppoppervlakken, omdat het snijgereedschap verborgen bedrading of zijn eigen snoer kan raken.** Snijgereedschap dat in contact komt met een spanningvoerende leiding, kan blootliggende metalen onderdelen van het elektrisch gereedschap onder spanning zetten waardoor de gebruiker een elektrische schok kan krijgen.

### Veiligheidsinstructies bij gebruik van lange boorbits

- **Werk nooit met een hogere snelheid dan de maximale snelheid van de boorbit.** Bij hogere snelheden kan de boorbit buigen als deze vrij kan draaien zonder het werkstuk te raken, wat persoonlijk letsel tot gevolg heeft.
- **Begin altijd met boren op lage snelheid en met de punt van de bit in contact met het werkstuk.** Bij hogere snelheden zal de bit waarschijnlijk buigen als deze vrij kan draaien zonder het werkstuk te raken, wat persoonlijk letsel tot gevolg heeft.
- **Oefen uitsluitend druk uit in één lijn met de bit en oefen geen overmatige druk uit.** Bits kunnen buigen wat breuk of verlies van controle kan veroorzaken en kan leiden tot persoonlijk letsel.

## Veiligheidswaarschuwingen voor diamantboor

- **Wanneer u boorwerkzaamheden uitvoert waarbij water moet worden gebruikt, moet u het water uit de werkomgeving van de gebruiker leiden of een vloeistofvangsysteem gebruiken.** Dergelijke voorzorgsmaatregelen houden de werkomgeving van de gebruiker droog en beperken het risico op elektrische schokken.
- **Bedien het gereedschap via de geïsoleerde handgrepen tijdens het uitvoeren van werkzaamheden waarbij het snijtoebehoren in aanraking kan komen met verborgen bedrading of de eigen voedingskabel.** Als het snijtoebehoren een onder stroom staande draad aanraakt, kan dit

ervoor zorgen dat niet-geïsoleerde delen van het gereedschap ook onder stroom komen, waardoor de gebruiker een elektrische schok kan krijgen.

- **Draag gehoorbescherming bij diamantboren.** Blootstelling aan lawaai kan leiden tot gehoorverlies.
- **Oefen wanneer het bit is vastgelopen geen neerwaartse druk uit en schakel het gereedschap uit.** Onderzoek de oorzaak van het vastzittende bit en neem maatregelen om het probleem te verhelpen.
- **Bij het opnieuw starten van een diamantboor in het werkstuk moet worden gecontroleerd of het bit vrij kan draaien voordat u begint.** Als het bit is vastgelopen, kan het gereedschap mogelijk niet starten, overbelast raken of kan de diamantboor van het werkstuk loskomen.
- **Zorg er wanneer u de boorstandaard met ankers en overige bevestigingen aan het werkstuk vastzet voor dat de gebruikte verankering de machine tijdens gebruik kan vast- en tegenhouden.** Als het werkstuk zwak of poreus is, kan het anker naar buiten worden getrokken, waardoor de boorstandaard loskomt van het werkstuk.
- **Wanneer u het boorstafje met een vacuümplaat op het werkstuk bevestigt, moet u de plaat aanbrengen op een glad, schoon, niet-poreus oppervlak. Niet bevestigen op gelamineerde oppervlakken zoals tegels en composietcoating.** Als het werkstuk niet glad, vlak of goed bevestigd is, kan de plaat worden weggetrokken van het werkstuk.
- **Zorg voor voldoende vacuüm voor en tijdens het boren.** Als er onvoldoende vacuüm is, kan de plaat loskomen van het werkstuk.
- **Boor nooit als de machine alleen is vastgezet met de vacuümplaat, behalve wanneer u omlaag boort.** Als het vacuüm wegvalt, komt de plaat los van het werkstuk.
- **Wanneer u door muren of plafonds boort, dient u ervoor te zorgen dat personen en het werkgebied aan de andere kant worden beschermd.** Het bit kan door het gat steken of de kern kan aan de andere kant naar buiten vallen.
- **Gebruik bij bovenhoofds boren altijd het vloeistofopvangsysteem dat in de instructies wordt vermeld.** Zorg ervoor dat er geen water in het gereedschap terechtkomt. Water dat in het elektrische gereedschap binnendringt, verhoogt het risico op elektrische schokken.

## Algemene veiligheidsinstructies



**WAARSCHUWING:** Lees de volgende waarschuwingen voordat u het product gaat gebruiken.

- Dit product kan bij onvoorzichtig of onjuist gebruik een gevaarlijk gereedschap zijn. Dit product kan ernstig of fataal letsel toebrengen aan de gebruiker of anderen. Het is erg belangrijk dat u deze gebruiksaanwijzing leest en begrijpt voordat u dit product gaat gebruiken.

- Dit product mag niet worden gebruikt door personen (inclusief kinderen) met een lichamelijke, zintuiglijke of geestelijke beperking of gebrek aan ervaring en kennis.
- Bewaar alle waarschuwingen en instructies.
- U dient alle toepasselijke wet- en regelgeving in acht te nemen.
- De gebruiker en de werkgever van de gebruiker dienen op te hoogte te zijn van de risico's tijdens het gebruik van het product en moeten deze voorkomen.
- Zorg ervoor dat dit product alleen wordt gebruikt door personen die de inhoud van de gebruikershandleiding hebben gelezen en begrepen.
- Gebruik het product alleen als u voorafgaand aan gebruik training hebt ontvangen. Zorg ervoor dat alle gebruikers getraind worden.
- Laat het product niet door een kind bedienen.
- Het product mag alleen worden gebruikt door goedgekeurde personen.
- De gebruiker is verantwoordelijk indien ongelukken gebeuren met andere mensen of hun eigendommen.
- Gebruik het product nooit als u moe of ziek bent, of onder invloed van alcohol, drugs of medicijnen verkeert.
- Wees altijd voorzichtig en gebruik uw gezond verstand.
- Dit product produceert tijdens bedrijf een elektromagnetisch veld. Dit veld kan onder bepaalde omstandigheden de werking van actieve of passieve medische implantaten verstoren. Om het risico op ernstig of fataal letsel te verminderen, raden we personen met een medisch implantaat aan om contact op te nemen met hun arts en de fabrikant van het medische implantaat voordat ze dit product gebruiken.
- Houd het product schoon. Zorg ervoor dat u de aanduidingen en stickers duidelijk kunt lezen.
- Gebruik het product niet als het beschadigd is.
- Breng geen wijzigingen aan dit product aan.
- Gebruik het product niet als de mogelijkheid bestaat dat andere personen wijzigingen aan het product hebben aangebracht.

## Gebruik altijd uw gezond verstand



**WAARSCHUWING:** Onder geen beding mag u wijzigingen aanbrengen in het oorspronkelijke ontwerp van het product zonder toestemming van de fabrikant. Gebruik altijd originele reserveonderdelen. Ongeautoriseerde wijzigingen en/of accessoires kunnen ernstig of dodelijk letsel aan de gebruiker of anderen toebrengen.



**WAARSCHUWING:** Het gebruik van producten zoals doorslijpmachines, slijppapparaten en boren om materiaal te schuren of te vormen, kan stof en dampen

veroorzaken die gevaarlijke chemicaliën kunnen bevatten. Controleer de aard van het materiaal dat u wilt bewerken en draag een geschikt stofmasker.

Het is niet mogelijk om elke situatie die zich kan voordoen tijdens het gebruik van het product te vermelden. Wees altijd voorzichtig en gebruik uw gezond verstand. Vermijd situaties die uw capaciteiten te boven gaan. Als u na het lezen van deze instructies nog vragen hebt over de bedieningsprocedures dient u een expert te raadplegen voordat u verder gaat.

Aarzel niet om contact op te nemen met uw Husqvarna-vertegenwoordiger als u nog meer vragen hebt over het gebruik van het product. We zijn graag bereid om u te adviseren of u te helpen uw product op een efficiënte en veilige manier te gebruiken.

Laat het product regelmatig controleren door uw Husqvarna-servicewerkplaats en laat belangrijke aanpassingen en reparaties uitvoeren.

Husqvarna Construction Products werkt voortdurend aan het verder ontwikkelen van zijn producten. Husqvarna behoudt zich het recht voor om zonder aankondiging vooraf wijzigingen in vorm en uiterlijk door te voeren en zonder enige verplichting het ontwerp te wijzigen.

Alle informatie en gegevens in deze bedieningshandleiding waren van toepassing op de datum dat deze bedieningshandleiding ter perse ging.

## Veiligheidsinstructies voor bediening



**WAARSCHUWING:** Lees de volgende waarschuwingen voordat u het product gaat gebruiken.



**WAARSCHUWING:** De geluidsemissies tijdens het feitelijke gebruik van de machine kunnen afwijken van de opgegeven totaalwaarden en zijn afhankelijk van de manier waarop het gereedschap wordt gebruikt, vooral van het soort werkstuk.



**WAARSCHUWING:** Zorg ervoor dat u veiligheidsmaatregelen identificeert om de gebruiker te beschermen op basis van een schatting van de blootstelling in de feitelijke gebruiksomstandigheden. (Hierbij moet rekening worden gehouden met alle elementen van de bedrijfscyclus, dus niet alleen de tijd dat de machine actief wordt gebruikt, maar ook de tijd dat de machine is uitgeschakeld of stationair draait).

- Gebruik het product alleen als u weet dat u hulp kunt krijgen indien zich een ongeval voordoet.

- Gebruik het product niet bij ongunstige weersomstandigheden, zoals mist, regen, sterke wind, hevige koude of andere ongunstige omstandigheden. Bij slecht weer kunnen gevaarlijke omstandigheden, zoals gladde oppervlakken, ontstaan.
- Kijk uit voor personen, objecten en situaties die een veilig gebruik van het product kunnen verhinderen.
- Wanneer de boor tijdens bedrijf omhoog wijst, moet u altijd een geschikte bak gebruiken om het water op te vangen.
- Bij gebruik op een boorstatief moet het product altijd op een geschikte boorstatief worden bevestigd voordat u het gebruikt. Zie *Het product gebruiken met een boorstatief* op pagina 59.
- Zorg er altijd voor dat u de motor in een noodsituatie snel kunt stoppen.
- Controleer of er geen leidingen of elektrische kabels lopen op de plek waar u het gat gaat boren.
- Zet de motor onmiddellijk stop als het product niet correct werkt.
- Zorg ervoor dat u stabiel en veilig staat tijdens het gebruik.
- Blijf op afstand van de boorbit wanneer de motor draait.
- Blijf in de buurt van het product wanneer de motor is ingeschakeld.
- Haal altijd de stekker uit het stopcontact voordat u apparaat onbeheerd achterlaat.
- Zorg ervoor dat alle onderdelen in een goede staat blijven en controleer of alle fittingen goed vastzitten.
- Als er trillingen optreden in het product of als het geluidsniveau van het product ongewoon hoog is, dient u het product onmiddellijk te stoppen. Controleer het product op schade. Repareer schade of laat een erkende servicewerkplaats de reparatie uitvoeren.
- Gebruik altijd goedgekeurde accessoires. Neem voor meer informatie contact op met uw dealer.
- **Zet het gereedschap correct vast voor gebruik.** Dit gereedschap produceert een hoog uitgangskoppel en zonder het gereedschap correct vast te zetten tijdens gebruik, kan verlies van controle leiden tot lichamelijke letsel.

## Verlengkabels

- Gebruik alleen goedgekeurde verlengkabels met voldoende lengte.
- De markering op de verlengkabel moet gelijk zijn aan of hoger zijn dan de waarde op het productplaatje van het product.
- Gebruik gearde verlengkabels.
- Gebruik een verlengkabel die geschikt is voor gebruik buitenshuis wanneer u buiten werkt met het product. Dit vermindert de kans op een elektrische schok.
- Houd de aansluiting op de verlengkabel droog en zorg dat deze de grond niet raakt.



- Houd de verlengkabel uit de buurt van hitte, olie, scherpe randen en bewegende delen. Een beschadigde kabel verhoogt het risico op elektrische schokken.
- Controleer of de verlengkabel in goede staat verkeert en niet beschadigd is.
- Gebruik de verlengkabel niet in opgerolde toestand. Daardoor kan de kabel oververhit raken.
- Zorg ervoor dat de verlengkabel achter u en het product ligt wanneer u het product gebruikt. Zo voorkomt u dat de verlengkabel beschadigd raakt.

## Persoonlijke beschermingsuitrusting



**WAARSCHUWING:** Lees de volgende waarschuwingen voordat u het product gaat gebruiken.

- Gebruik altijd de juiste persoonlijke beschermingsmiddelen wanneer u het product gebruikt. De persoonlijke beschermingsmiddelen nemen het risico op letsel niet weg. De persoonlijke beschermingsmiddelen verlagen de ernst van het letsel indien zich een ongeval voordoet. Vraag uw dealer u te helpen bij het kiezen van de juiste beschermingsmiddelen.
- Gebruik goedgekeurde oogbescherming wanneer u het product gebruikt.
- Draag geen losse, zware en ongeschikte kleding. Draag kleren waarin u zich vrij kunt bewegen.
- Draag goedgekeurde veiligheidshandschoenen voor een stevige greep.
- Draag rubberen veiligheidshandschoenen om huidirritatie als gevolg van nat beton te voorkomen.
- Draag een goedgekeurde veiligheidshelm.
- Gebruik altijd goedgekeurde gehoorbescherming wanneer u het product gebruikt. Langdurig lawaai kan gehoorverlies veroorzaken.
- Het product veroorzaakt stof en dampen die gevaarlijke chemicaliën bevatten. Gebruik goedgekeurde ademhalingsbescherming.
- Gebruik laarzen met een stalen neus en antislipzool.
- Zorg ervoor dat u een EHBO-kit bij de hand hebt.
- Er kunnen vonken optreden bij de bediening van de machine. Zorg ervoor dat u een brandblusser bij de hand hebt.

## Veiligheidsvoorzieningen op het product



**WAARSCHUWING:** Lees de volgende waarschuwingen voordat u het product gaat gebruiken.

- Gebruik het product nooit als de veiligheidsonderdelen defect zijn! Als uw product niet door alle controles komt, neem dan contact op met uw servicewerkplaats voor reparatie.
- U mag het product niet gebruiken als beschermingsplaten,

afschermingen, veiligheidsschakelaars of andere veiligheidsvoorzieningen ontbreken of beschadigd zijn.

## Beveiliging tegen overbelasting van de motor, Elgard™

De beveiliging tegen overbelasting van de motor wordt ingeschakeld als de motor te zwaar wordt belast of als de boorbit niet vrij kan bewegen.

De beveiliging tegen overbelasting van de motor zorgt ervoor dat het vermogen van de motor gedurende enkele seconden afneemt en toeneemt. Als u dan de kracht niet verlaagt, stopt de motor. Zie *De beveiliging tegen overbelasting van de motor resetten op pagina 65*.

## Frictiekoppeling

De frictiekoppeling is geïntegreerd in de tandwielkast van het product. Deze voorkomt schade aan het product als de boor tijdens bedrijf stopt. Als de belasting te hoog is, wordt de frictiekoppeling losgelaten en stopt de boorspil, maar blijft de motor enkele seconden ingeschakeld. De frictiekoppeling wordt weer ingeschakeld als de belasting wordt verlaagd en de bewerking kan worden voortgezet. Als de boorbit vast komt te zitten in het materiaal en volledig stopt, stopt de frictiekoppeling de motor onmiddellijk.



**OPGELET:** Zorg ervoor dat de vrijgavetijd van de koppeling niet meer dan 3-4 seconden bedraagt, omdat anders slijtage en warmte snel zullen toenemen.

## PRCD



**WAARSCHUWING:** Niet van toepassing op 110V-modellen die worden verkocht in het Verenigd Koninkrijk en Ierland. Verenigd Koninkrijk en Ierland: Gebruik het 110V-model van het product niet zonder een scheidingstransformator, zie EN/IEC 61558-1 en EN/IEC 61558-2-23. De scheidingstransformator moet aan zijde van de secundaire wikkeling zijn geaard.



**WAARSCHUWING:** Dompel de PRCD niet onder in water.

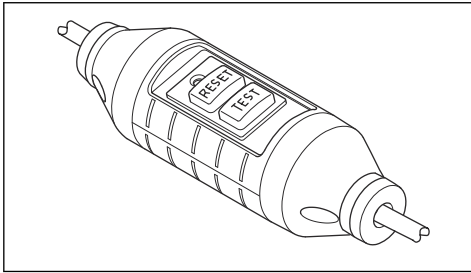


**WAARSCHUWING:** Controleer de PRCD altijd voordat u het product gebruikt. Zie *De PRCD (aardlekschakelaar) inspecteren op pagina 58*.

Op het netsnoer van het product is een PRCD geïnstalleerd. De PRCD dient ter bescherming en wordt ingeschakeld als zich een elektrische storing voordoet. Zie *Technische gegevens op pagina 70*

informatie over bij welke stroomsterkte de PRCD wordt geactiveerd.

Het rode lampje geeft aan dat de PRCD is ingeschakeld en dat het product kan worden gestart. Als het rode lampje niet brandt, druk dan op de RESET-knop.



### De PRCD (aardlekschakelaar) inspecteren



**WAARSCHUWING:** Niet van toepassing op 110V-modellen die worden verkocht in het Verenigd Koninkrijk en Ierland. Zie *PRCD op pagina 57*.

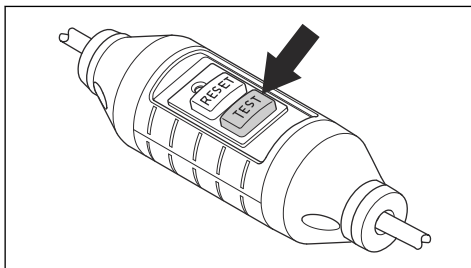


**WAARSCHUWING:** De PRCD moet telkens wanneer de stekker in het stopcontact wordt gestoken, worden gecontroleerd.



**WAARSCHUWING:** Als de PRCD moet worden gerepareerd, neem dan altijd contact op met een erkende Husqvarna-servicewerkplaats.

1. Sluit de stekker van het product aan op het stopcontact.
2. Druk op de RESET-knop. De indicator boven de knop is rood wanneer er stroom aanwezig is.
3. Start het product, zie *Product starten op pagina 63*.
4. Druk op de TEST-knop. Als het product stopt, werkt de PRCD naar behoren.



### Scheidingstransformator

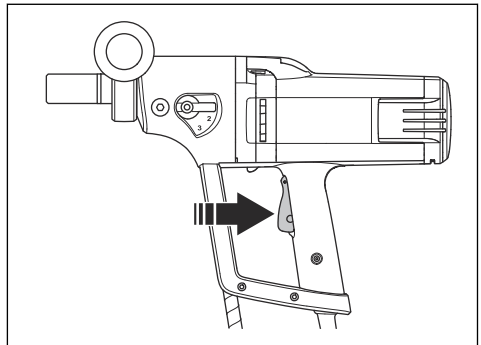
**Let op:** Van toepassing op 110V-modellen die worden verkocht in het Verenigd Koninkrijk en Ierland.

Gebruik het 110V-model van het product niet zonder scheidingstransformator conform EN/IEC 61558-1 en EN/IEC 61558-2-23.

De scheidingstransformator moet massakabels hebben aan de 230V- en 110V-zijde.

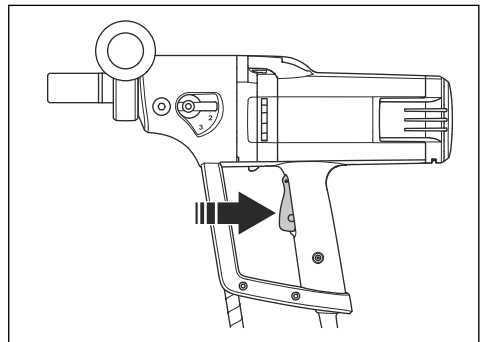
### Aan-/uitschakelaar

De aan-/uitschakelaar wordt gebruikt om het product te starten en te stoppen.

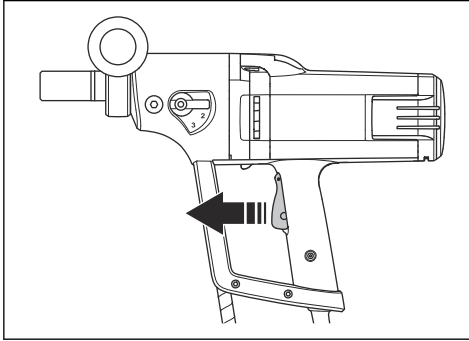


### Aan/uit-schakelaar controleren

1. Sluit de stekker van het product aan op het stopcontact.
2. Druk op de aan-/uitschakelaar om het product te starten.



3. Laat de aan-/uitschakelaar los om het product te stoppen.



uitgeschakelde motor en de stekker uit het stopcontact.

- Zorg voor een deugdelijk onderhoud van elektrische gereedschappen en accessoires. Controleer het gereedschap op verkeerde uitlijning of bevestiging van bewegende onderdelen, breuk van onderdelen en andere condities die de werking van het elektrische gereedschap negatief kunnen beïnvloeden. Als het elektrische apparaat beschadigd is, moet u het laten repareren voordat u het gebruikt. Veel ongelukken worden veroorzaakt door slecht onderhouden elektrische apparaten.
- Houd snijgereedschappen scherp en schoon. Goed onderhouden snijgereedschappen met scherpe snijranden zullen minder gauw vastlopen en zijn eenvoudiger onder controle te houden.
- Laat uw elektrisch gereedschap repareren door een gekwalificeerde monteur en gebruik uitsluitend identieke vervangingsonderdelen. Dit zorgt ervoor dat de veiligheid van het elektrisch gereedschap wordt gehandhaafd.

## Veiligheidsinstructies voor onderhoud



**WAARSCHUWING:** Controle en/of onderhoud dient te worden uitgevoerd met

## Werking

### Voordat u het product gebruikt

1. Lees de gebruikershandleiding zorgvuldig door en zorg dat u de instructies hebt begrepen.
2. Voer dagelijks onderhoud uit. Zie *Onderhoudsschema op pagina 66*.
3. Controleer of de nominale spanning en stroom van het stopcontact gelijk zijn aan de spanning en stroom van het product.
4. Controleer of de PRCD is gestart. Zie *PRCD op pagina 57* en *De PRCD (aardlekschakelaar) inspecteren op pagina 58*.
5. Zorg ervoor dat het werkgebied schoon en droog is.
6. Maak altijd gebruik van persoonlijke beschermingsmiddelen. Zie *Persoonlijke beschermingsuitrusting op pagina 57*.
7. Controleer of het product correct is gemonteerd. De boorbit moet correct worden bevestigd.
8. Als u het product met een boorstatief gebruikt, moet de bedieningshandleiding van het boorstatief zorgvuldig worden doorgelezen en moet u ervoor zorgen dat u de instructies hebt begrepen. Controleer of het product correct is gemonteerd.
9. Als u geen boorstatief gebruikt, moet de extra handgreep bevestigd en volledig vastgedraaid zijn. Zie *De extra handgreep in een geschikte positie zetten op pagina 61*.
10. Gebruik een stofzuiger wanneer u het product droog gebruikt. Zie *Het product voorbereiden voor droog boren op pagina 61*.

11. Wanneer u het product nat gebruikt, zorg er dan voor dat het watersysteem niet beschadigd is en gebruik de wateraansluiting. Zie *Het product voorbereiden voor nat boren op pagina 61*.
12. Wanneer u omgekeerd boort, moet u zich houden aan de betreffende instructies. Zie *Het product voorbereiden voor omgekeerd boren op pagina 61*.

### Het product gebruiken met een boorstatief



**OPGELET:** Als u een boorstatief gebruikt, moet u dit gedeelte zorgvuldig doorlezen.



**OPGELET:** Lees de bedieningshandleiding voor de boorstandaard zorgvuldig door.

Raadpleeg de handleiding van de boorstandaard om het product aan een boorstandaard te bevestigen.

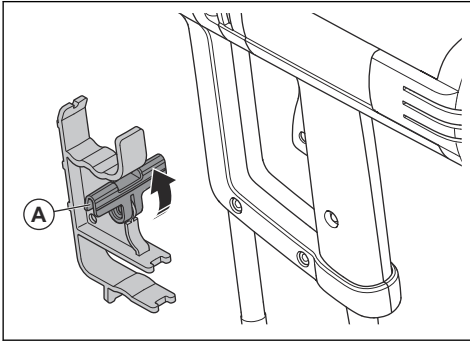
- Verwijder de extra handgreep wanneer u het product gebruikt met een boorstandaard.
- Gebruik altijd een boorstatief als u tijdens het boren op een steiger staat.
- Controleer of het boorstatief is aangebracht.
- Zorg ervoor dat het product correct op het boorstatief is bevestigd.
- Gebruik uitsluitend met door Husqvarna goedgekeurde boorstandaarden. Zie *Accessoires op pagina 71*.

- Bevestig de schakelaarvergrendelingssteun. Zie *De schakelaarvergrendelingssteun op het product bevestigen op pagina 60.*

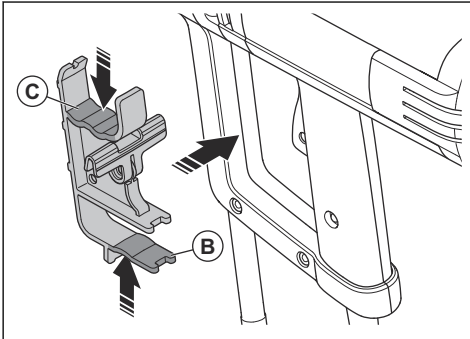
## De schakelaarvergrendelingssteun op het product bevestigen

De schakelaarvergrendelingssteun mag alleen worden gebruikt als u het boorstatief gebruikt. De schakelaarvergrendelingssteun drukt de aan-/uitschakelaar naar de startpositie en houdt deze daar.

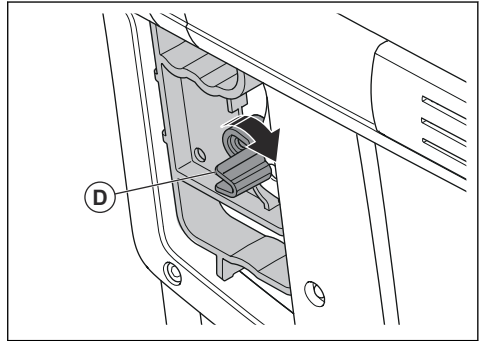
1. Het product bevestigen op een boorstatief. Zie *Het product gebruiken met een boorstatief op pagina 59.*
2. Draai de knop (A) linksom.



3. Plaats uw duim op het onderste deel (B) van de schakelaarvergrendelingssteun en plaats 2-4 vingers op het bovenste deel (C) van de schakelaarvergrendelingssteun. Duw uw duim en vingers tegen elkaar en bevestig de schakelaarvergrendelingssteun op het product.

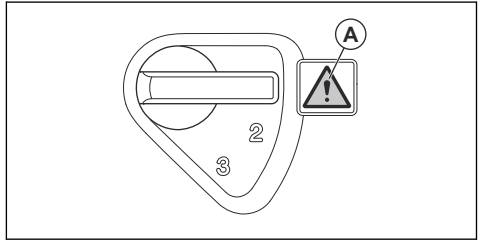


4. Draai de knop (D) rechtsom om de aan-/uitschakelaar naar de startpositie te drukken en daar te houden.



## Het product handmatig gebruiken

Boor bij handmatig boren niet in de eerste versnelling (A).



**WAARSCHUWING:** Boor bij handmatig boren niet in de eerste versnelling. Het product heeft een krachtige koppel dat kan leiden tot letsel als de boorbit stopt met vrij bewegen.

1. Installeer een boorbit met een maximale diameter van 75 mm. Hoe groter de bit, des te gevaarlijker de reactie als de boor stopt met vrij bewegen.
2. Vergrendel de extra handgreep stevig op de plaats voordat u begint met boren. Zie *De extra handgreep in een geschikte positie zetten op pagina 61.*
3. Zorg er tijdens het gebruik voor dat u stabiel staat met beide voeten op de grond.



**WAARSCHUWING:** Boor niet op een ladder. Als de boorbit plotseling stopt kan het krachtige koppel ervoor zorgen dat u valt.

4. Wijzig de versnelling naar 2 of 3. Zie *Schakelen op pagina 63.*

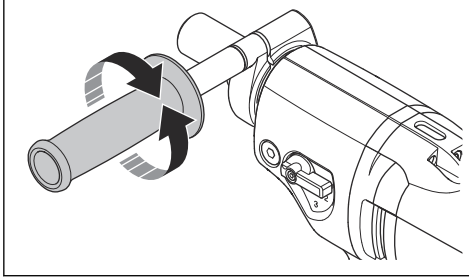


**WAARSCHUWING:** Boor bij handmatig boren niet in de eerste versnelling. Het product heeft een

krachtige koppel dat kan leiden tot letsel als de boorbit stopt met vrij bewegen.

## De extra handgreep in een geschikte positie zetten

1. Draai de extra handgreep linksom om hem los te maken.



2. Beweeg de extra handgreep rond de spindel as naar een geschikte werkstand.
3. Draai de extra handgreep rechtsom om hem vast te zetten. Draai de bit helemaal vast.

## Het product voorbereiden voor droog boren

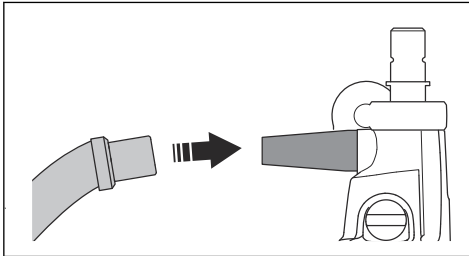


**WAARSCHUWING:** Gebruik goedgekeurde ademhalingsbescherming. Adem het gevaarlijke stof niet in.



**WAARSCHUWING:** Gebruik geen standaard stofzuiger. Gebruik alleen stofzuigers die gemaakt zijn voor gevaarlijk stof. Zie *Aanbevolen stofzuiger capaciteit op pagina 71* voor specificaties.

1. Bevestig de stofzuigeradapter aan het product.
2. Bevestig de stofzuiger aan de stofzuigeradapter.



3. Start de stofzuiger.

## Het product voorbereiden voor nat boren



**OPGELET:** Controleer of de waterdruk niet te hoog is. Zie *Technische gegevens op pagina 70*.

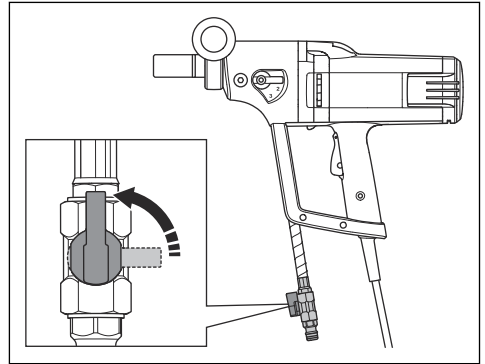


**OPGELET:** Om blokkering in het watersysteem te voorkomen, moet alleen schoon water worden gebruikt.



**OPGELET:** Gebruik uitsluitend een goedgekeurde watertoevoerkoppeling. Neem voor meer informatie contact op met uw dealer.

1. Sluit de Gardena® mannelijke koppeling met het waterventiel aan op de wateraansluiting.
2. Open het watersysteem.



3. Stel de waterdruk in om al het afvalmateriaal uit het boorgat te verwijderen.

## Het product voorbereiden voor omgekeerd boren



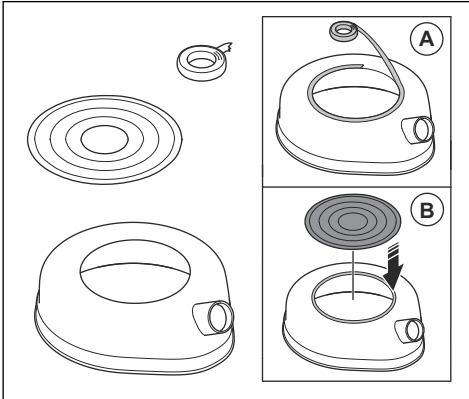
**WAARSCHUWING:** Gebruik altijd een slijbring met een afdichtschijf tijdens het omgekeerd boren. Water dat het product binnendringt, verhoogt het risico op elektrische schokken.



**OPGELET:** Gebruik een slijbopvanger of natte stofzuiger om het slijb op te vangen.

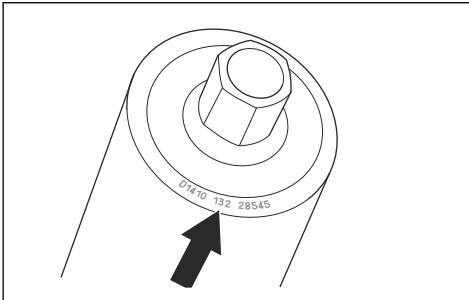
1. Verwijder al het vet en vuil bovenop de slijbring.

2. Bevestig dubbelzijdige tape of gebruik spuitlijm rond de bovenste opening van de slijbring (A).

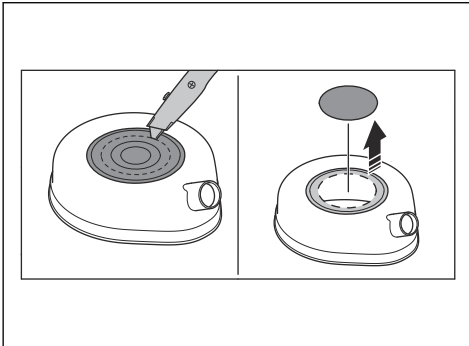


3. Plaats de afdichtschijf op de bovenste opening als afdekking (B). Bevestig deze stevig.

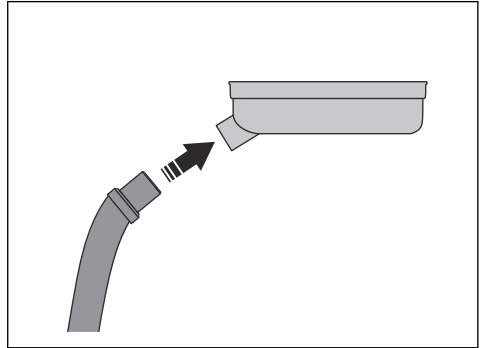
4. Zoek de afmeting van de kernboor op de bovenkant van de boor.



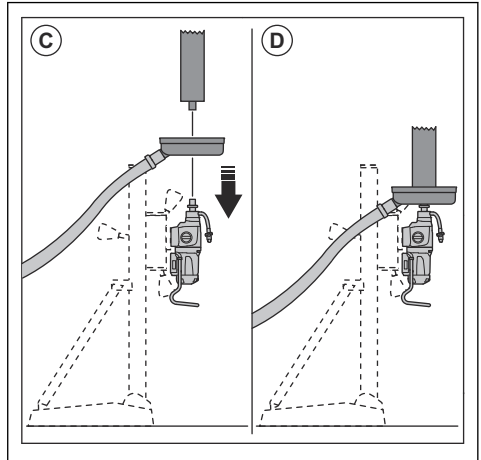
5. Maak een gat in de afdichtschijf in de dichtstbijzijnde kleinere maat als de kernboor (0-150 mm).



6. Sluit de slijbopvanger/natte stofzuiger aan op de aansluiting van de slijbring.



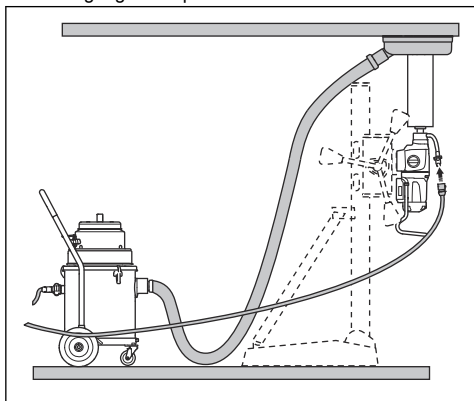
7. Plaats de slijbring op de boorspil (C).



8. Monteer de boorbit op de boorspil (D).

9. Start de slijbopvanger/natte stofzuiger.

10. Hef de boorbit tegen het plafond. Bevestig de slijbring tegen het plafond.



## De temperatuur van de motor verlagen

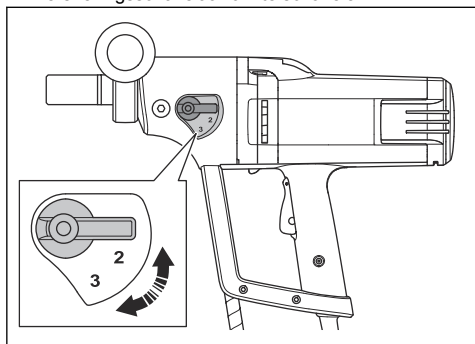
- Laat het product 2 minuten onbelast draaien om de temperatuur van de motor te verlagen.

## Schakelen



**OPGELET:** Schakel alleen wanneer de motor langzamer draait of stopt. Gebruik geen kracht om te schakelen.

- Gebruik het toepasselijke toerental voor de boorbitdiameter. Zie het productplaatje op het product of *Technische gegevens* op pagina 70.
- Draai de boorspil en draai tegelijkertijd de versnellingschakelaar om te schakelen.



## Product starten

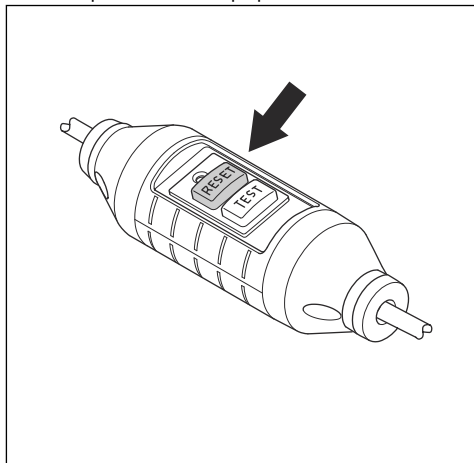


**WAARSCHUWING:** Zorg ervoor dat de boorbit vrij kan draaien. De boorbit begint te draaien wanneer de motor start.

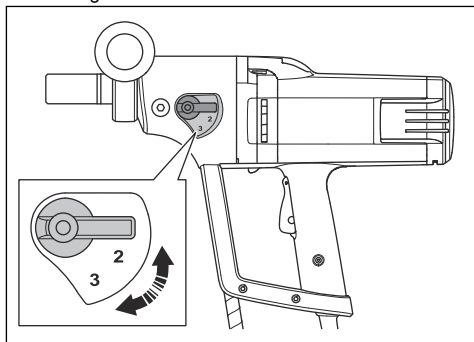


**WAARSCHUWING:** De eerste keer dat het product tijdens een werkdag wordt gestart, moet de PRCD worden gecontroleerd. Zie *De PRCD (aardlekschakelaar)* inspecteren op pagina 58.

1. Sluit de stekker van het product aan op het stopcontact.
2. Druk op de RESET-knop op de PRCD.

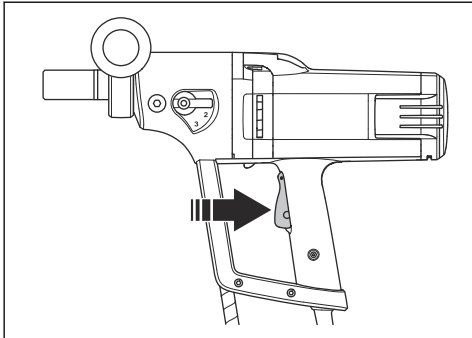


3. Om de werksnelheid in te stellen, draait u aan de boorspil en beweegt u tegelijkertijd de versnellingschakelaar. Zet de versnellingschakelaar in de juiste stand voor de werking.



4. Voor nat boren sluit u het watersysteem aan en opent u het watersysteem. Zie *Het product voorbereiden voor nat boren* op pagina 61.
5. Voor droog boren sluit u de stofzuiger op het product aan en start u de stofzuiger. Zie *Het product voorbereiden voor droog boren* op pagina 61.

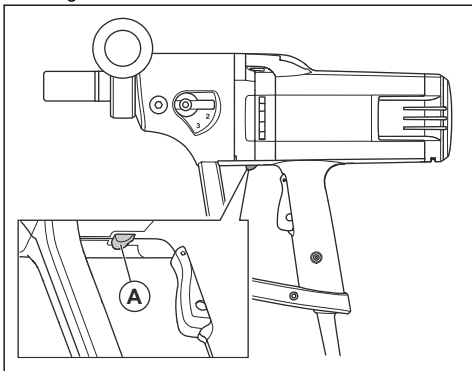
6. Houd de aan-/uitschakelaar ingedrukt.



## Een gat boren met de Smartstart™-functie

De Smartstart™-functie verlaagt het toerental van de motor. Dit helpt om een startgat te maken. Het verlaagde toerental van de Smartstart™-functie is alleen bedoeld voor startgaten en niet voor normaal gebruik.

1. Start de motor. Zorg ervoor dat de boorbit het materiaal niet raakt.
2. Druk één keer op de knop Smartstart™ (A). Het toerental wordt verlaagd en de Smartstart™-functie is ingeschakeld.



3. Boor een startgat in het materiaal.

**Let op:** De Smartstart™-functie wordt automatisch uitgeschakeld als het toerental wordt verhoogd.

4. Om de Smartstart™-functie handmatig te stoppen, moet u de Smartstart™-functieknop weer indrukken.

## Het product gebruiken



**WAARSCHUWING:** Als de PRCD wordt geactiveerd, verwijdert u de boorbit uit het gat voordat u op RESET drukt.



**WAARSCHUWING:** Er kunnen gevaarlijke ongelukken gebeuren indien de betonkern in de boorbit blijft zitten wanneer u de boorbit uit het gat verwijdert.



**OPGELET:** Zorg ervoor dat geen voorwerpen in contact komen met de boorbit.



**OPGELET:** Gebruik niet meer kracht dan nodig is. Hierdoor wordt de werking alleen maar langzamer en raakt de motor overbelast.

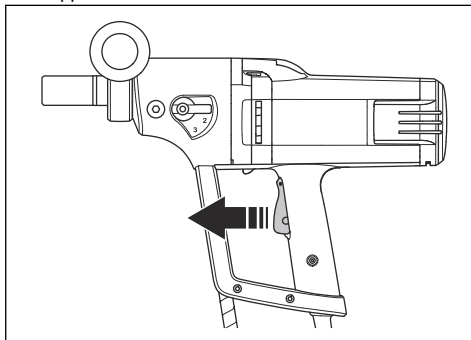
1. Start de motor. Zie *Product starten op pagina 63*.
2. Laat het motortoerental oplopen naar het maximale toerental voordat de boorbit contact maakt met het oppervlak.
3. Als u een boorstafje gebruikt, moet de boorbit met de toevoerhendel in het oppervlak worden geduwd.
4. Als u door wapeningsijzer boort, gebruik dan meer begindruk en een lagere versnelling dan wanneer er geen wapeningsijzer zou zijn.
5. Oefen om te beginnen een zeer geringe druk uit om de boorbit in de juiste positie te houden.
6. Zorg er bij nat boren voor dat het water al het afvalmateriaal uit het boorgat verwijdert. Pas de waterdruk indien nodig aan.
7. Zorg er bij droog boren voor dat de stofzuiger al het stof verwijdert.
8. Stop de motor. Zie *Product stoppen op pagina 64*.

## Product stoppen



**WAARSCHUWING:** De boorbit blijft nog even draaien nadat de motor is gestopt. Stop de boorbit niet met uw handen. Er kan letsel optreden.

1. Laat de aan-/uitschakelaar los om het product te stoppen.





2. Wacht tot de boorbit volledig tot stilstand is gekomen.
3. Koppel de stekker los van het product.

## De beveiliging tegen overbelasting van de motor resetten

1. Stop het product. Zie *Product stoppen op pagina 64*.
2. Verwijder de verstopping uit de boorbit.
3. Start het product. Zie *Product starten op pagina 63*.

## De boorbit vervangen



**WAARSCHUWING:** Trek de stekker uit het stopcontact voordat u de boorbit vervangt.

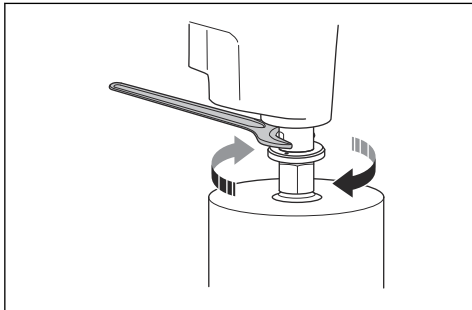


**WAARSCHUWING:** Draag veiligheidshandschoenen. Laat het product afkoelen voordat u de boorbit verwijdert. De boorbit en het aangrenzende gebied zijn zeer heet na gebruik.



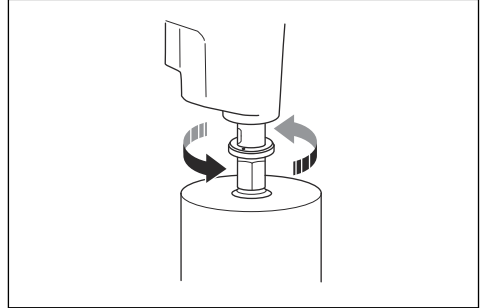
**WAARSCHUWING:** Gebruik alleen diamantboorbits die zijn goedgekeurd voor uw product. Neem voor meer informatie contact op met uw Husqvarna-dealer.

1. Zorg ervoor dat u een nieuwe boorbit, de meegeleverde sleutel en waterbestendig vet ter beschikking hebt.
2. Vergrendel de spilas met de sleutel.
3. Draai de boorbit rechtop om deze te verwijderen.



**OPGELET:** Sla niet op het product om de boorbit te verwijderen. Er bestaat risico op beschadiging van de tandwielkast en de boorstandaard.

4. Smeer de schroefdraad van de spilas in met waterbestendig vet.
5. Draai de boorbit linksom om deze te installeren. Draai de bit helemaal vast.



## Onderhoud

### Inleiding



**WAARSCHUWING:** Zorg dat u het hoofdstuk over veiligheid hebt gelezen en begrepen voordat u onderhoud aan het product gaat uitvoeren.




**WAARSCHUWING:** Koppel de voedingskabel los voordat u onderhoud uitvoert om letsel te voorkomen.

## Onderhoudsschema

\* = Algemeen onderhoud uit te voeren door de gebruiker. De instructies zijn niet opgenomen in deze gebruikershandleiding.

X = De instructies zijn opgenomen in deze gebruikershandleiding.

O = Neem contact op met een Husqvarna-servicewerkplaats.

Onderhoud	Voor elk gebruik	Na elk gebruik	Elke dag	Na de eerste 100 uur	Na elke 300 uur
Controleer of de beweegbare onderdelen goed werken en vrij kunnen bewegen.	*				
Zorg ervoor dat het snijgereedschap scherp en schoon is.	*				
Controleer of de PRCD correct werkt.					
 <b>WAARSCHUWING:</b> Niet van toepassing op 100-120V-modellen die worden verkocht in het Verenigd Koninkrijk en Ierland. Zie <i>PRCD op pagina 57</i> .	X				
Controleer het netsnoer, andere kabels en de stekker op beschadiging.	*	*			
Zorg ervoor dat de handgrepen en grijpoppervlakken droog, schoon en vrij van olie en vet zijn.	*	*			
Controleer of het product schoon is.	X	X			
Controleer de aafdichtingen op beschadiging/waterlekage.		X			
Controleer of de moeren en schroeven goed zijn vastgedraaid.			*		
Controleer of de aan-/uitschakelaar correct werkt.			X		
Ververs de tandwielolie.				O	
Inspecteer de koolborstels op beschadiging.					X

## Product reinigen



**OPGELET:** Zorg ervoor dat er geen water in de motor of de tandwielkast terecht komt.



**OPGELET:** Gebruik geen stromend water om het product te reinigen.

- Gebruik een droge of vochtige doek om het product te reinigen.
- Verwijder blokkades van alle luchtopeningen. Een geblokeerde luchtinlaat leidt tot verminderde prestaties van het product en kan leiden tot oververhitting van de motor.

- Reinig en smeer de schroefdraad van de spilas.

## Onderhoud van de diamantboorbit

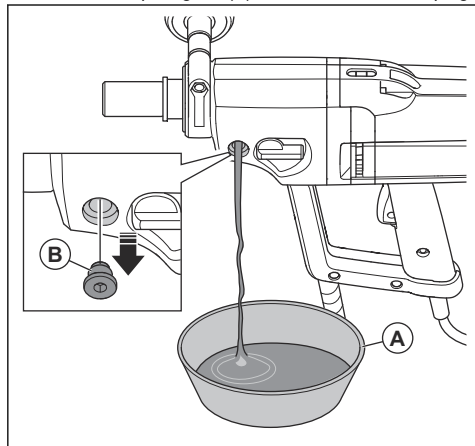
- Zorg ervoor dat de segmenten van de diamantgereedschappen scherp zijn. Slijp botte diamantsegmenten met een SiC-slijpsteen.
- Zorg ervoor dat er geen trilling in de boorbit is. Als er trillingen in de boorbit zijn, kunnen de diamantsegmenten losraken.
- Zorg ervoor dat de diamantsegmenten in voldoende mate groter zijn dan de binnen- en buitendiameter van de boorbitbuis.
- Smeer de schroefdraad van de boorbit in met waterbestendig vet. Dit maakt het eenvoudiger om het gereedschap los te maken.

- Zorg ervoor dat de radiale uitloop bij de diamantsegmenten van de boorbit niet meer dan 1 mm bedraagt.

de asafdichtingen onmiddellijk worden vervangen.

## De tandwielolie verversen

1. Plaats een opvangbak (A) onder de tandwielolieplug.



2. Verwijder de tandwielolieplug (B).
3. Tap de tandwielolie af in de opvangbak.
4. Laat indien nodig een erkend Husqvarna-servicecentrum de tandwielkast reinigen.
5. Vul het tandwielhuis met verse tandwielolie. Zie *Technische gegevens op pagina 70*.
6. Reinig de tandwielolieplug en installeer de tandwielolieplug.

## De wateraansluiting controleren

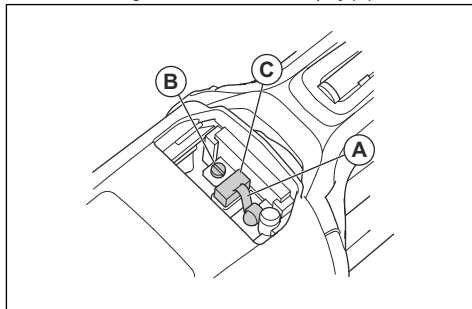


**OPGELET:** Als er water uit de ring van de wateraansluiting lekt, moeten

- Laat een erkend Husqvarna-servicecentrum de wateraansluiting repareren.

## Koolborstels controleren

1. Verwijder de 3 schroeven en verwijder het inspectiedeksel.
2. Trek de borgveer van de borstel opzij (A).



3. Draai de schroef (B) los.
4. Trek de aansluiting van de koolborstel eruit.
5. Trek de koolborstel (C) van de houder.
6. Reinig de koolborstelhouder met perslucht of een kwast. Vervang de koolborstel als deze versleten is.
7. Plaats de nieuwe koolborstel. Controleer of de koolborstel eenvoudig beweegt in de borstelhouders.
8. Til de borstelhouderveer in de correcte positie.
9. Installeer de koolborstelaansluiting en draai de schroef vast.
10. Voer dezelfde procedure uit met de koolborstel aan de andere kant van het product.
11. Installeer het inspectiedeksel en draai de 3 schroeven vast. Start het product en laat het gedurende 10 minuten stationair draaien.

## Probleemoplossing

### Probleemoplossingsschema

Als u in deze bedieningshandleiding geen oplossing voor uw probleem kunt vinden, neem dan contact op met uw Husqvarna-servicewerkplaats.

Probleem	Stappen die u onmiddellijk moet uitvoeren	Mogelijke oorzaak	Oplossing
Het product start niet wanneer de aan-/uitschakelaar wordt ingedrukt.	Laat de aan-/uitschakelaar los.	Als er een rood lampje brandt op de PRCD, is de stroom onderbroken.	Druk op de RESET-knop op de PRCD.  Als de PRCD de stroom weer onderbreekt, neem dan contact op met een erkend Husqvarna-servicecentrum.
Het product stopt.	Laat de aan-/uitschakelaar los.	Er is een storing in de stroombron. De stroom is onderbroken door de Elgard™-functie.	Controleer de stroombron.
		De boorbit is geblokkeerd. De stroom is onderbroken door de Elgard™-functie.	Draai de boorbit naar rechts en links, gebruik een sleutel. Verwijder het product voorzichtig uit het boorgat.
		Een te hoge belasting veroorzaakt overbelasting van de motor. De stroom is onderbroken door de Elgard™-functie.	Zorg ervoor dat de boorbit gemakkelijk in het boorgat kan worden gedraaid.
		Als er een rood lampje brandt op de PRCD, is de stroom onderbroken.	Druk op de RESET-knop op de PRCD.  Als de PRCD de stroom weer onderbreekt, neem dan contact op met een erkend Husqvarna-servicecentrum.
Het product gaat niet verder in het oppervlak, de snelheid neemt af en het product stopt.	Laat de aan-/uitschakelaar los.	De diamantsegmenten zijn bot.	Slijp de diamantsegmenten met een SiC-slijpsteen.
Ongewenst materiaal verzamelt zich rond het gat tijdens het gebruik.		De waterdruk is te laag.	Verhoog de waterdruk. Zie <i>Technische gegevens op pagina 70</i> .
De diamantsegmenten op de boorbit worden uit hun binding getrokken.		Er zijn veel trillingen in het product tijdens het gebruik.	Gebruik de juiste belasting wanneer u het product bedient.
Er lekt tandwielolie.		De afdichtingen zijn versleten en moeten worden vervangen.	Neem contact op met een erkend Husqvarna-servicecentrum.
Er lekt water uit het gat op de ring van de wateraansluiting.		De asafdichtingen zijn defect.	Neem contact op met een erkend Husqvarna-servicecentrum. Gebruik altijd schoon water.
Het product werkt niet gelijkmatig.		Verminder de kracht.	Een te hoge belasting veroorzaakt overbelasting van de motor.

---

## Transport en opslag

---

- Trek de stekker uit het stopcontact voordat u het product vervoert of opbergt.
- Verwijder de boorbit voordat u het product vervoert of opbergt. Hiermee voorkomt u schade aan het product en de boorbits.
- Bewaar het product in een afgesloten ruimte om toegang door kinderen of onbevoegde personen te verhinderen.
- Bewaar het product in een droge en vorstvrije ruimte.
- Zet het product tijdens het vervoer veilig vast om schade en ongevallen te voorkomen.

# Technische gegevens

## Technische gegevens

<b>Motor</b>			
Elektromotor	Eenfasig		
Nominale spanning, V	100-120 of 220-240		
Nominale frequentie, Hz	50/60		
<b>Nominale stroom, A</b>			
100-120V (VS)	15		
100-120 V (VK, Ierland)	16		
220-240 V	8		
<b>PRCD-stroom, mA</b>			
100-120V (VS)	6		
220-240 V	10		
<b>Boorbit</b>			
Max. boorbitdiameter, met statief, mm/ inch	150 mm/6 inch		
Max. boorbitdiameter, handgedragen, mm/inch	75/3		
<b>Gewicht, kg/lb</b>	7/15,4		
<b>Waterkoeling</b>			
Wateraansluiting	Gardena®		
Maximale waterdruk, bar	3		
<b>Gereedschapsaansluiting</b>			
Schroefdraad	1 1/4", G 1/2"		
<b>Motorolie</b>			
Mobil Lube 1 SHC 75W90 of soortgelijke kwaliteit.			
<b>Data werking</b>			
Overbrenging	1	2	3
Boorbittoerental met last, tpm	580	1400	2900
Boorbittoerental zonder last, tpm	730	1700	3600
Aanbevolen boorbitdiameter, mm/inch	100-150/4-6 <sup>9</sup>	40-80/2-4	0-40/0-2

<sup>9</sup> Het wordt niet aanbevolen om versnelling 1 bij handmatig boren te gebruiken.

## Geluidsniveaus

<b>Geluidsemisies</b> <sup>10</sup>	
Geluidsvermogensniveau, L <sub>W</sub> (dB (A))	114
<b>Geluidsniveaus</b> <sup>11</sup>	
Geluidsdrukkniveau bij het oor van de gebruiker, L <sub>P</sub> (dB(A))	98
<b>Trillingsniveaus bij boren in beton, a<sub>h,DD</sub></b> <sup>12</sup>	
Voorste handgreep, m/s <sup>2</sup>	2,8
Achterste handgreep, m/s <sup>2</sup>	2,6

---

## Accessoires

---

Neem voor meer informatie over de accessoires contact op met uw servicedealer.

Boorstatief DS 150.
Slijbring.
Afdichtschijf.

### Aanbevolen stofzuigercapaciteit

De omschrijving die technische gegevens voor stofzuigers bieden, verschaft onvoldoende duidelijkheid

over de werkelijke prestaties in de loop van de tijd tussen de verschillende stofzuigers. Voor Husqvarna-producten zijn objectieve gegevens beschikbaar op [www.husqvarnacp.com](http://www.husqvarnacp.com).

Min. luchtstroming, m <sup>3</sup> /u/CFM	400/236
Min. vacuüm, kPa/psi	22/3,6
Min. wateropvoering, m/inch	2,3/90
Opzetstuk stofzuiger, mm/inch	50/2

---

## Service

---

### Goedgekeurd servicecentrum

Ga naar de website [www.husqvarnacp.com](http://www.husqvarnacp.com) om het dichtstbijzijnde erkende servicecentrum van Husqvarna Construction Products te vinden.

<sup>10</sup> Geluidsemisie naar de omgeving gemeten als geluidsvermogen volgens EN 62841-2-1. Verwachte onzekerheidsmarge 2,5 dB(A).

<sup>11</sup> Geluidsdrukkniveau volgens EN 62841-2-1. Verwachte onzekerheidsmarge 1 dB(A).

<sup>12</sup> Trillingsniveau volgens EN 62841-2-1. De gerapporteerde gegevens voor een trillingsniveau vertonen een typische statistische spreiding (standaardafwijking) van 1,5 m/s<sup>2</sup>. De vibratiewaarden zijn geldig voor handmatige bediening.

---

# Verklaring van overeenstemming

---

## EU-verklaring van overeenstemming

Wij, **Husqvarna AB**, SE-561 82 Huskvarna,  
Zweden, tel: +46-36-146500, verklaren onder onze  
alleenverantwoordelijkheid dat het product:

<b>Beschrijving</b>	<b>Draagbare diamantkernboor</b>
<b>Merk</b>	Husqvarna
<b>Type/model</b>	DM 230
<b>Identificatie</b>	Serienummers vanaf 2022 en verder

volledig voldoet aan de volgende EU-richtlijnen en  
-regelgeving:

<b>Richtlijn/Verordening</b>	<b>Beschrijving</b>
2006/42/EC	"betreffende machines"
2014/30/EU	"betreffende elektromagnetische compatibiliteit"
2014/35/EU	"betreffende elektrische apparatuur"
2011/65/EU	"betreffende beperking van gevaarlijke stoffen"

en dat de volgende geharmoniseerde normen en/of  
technische specificaties zijn toegepast;

EN ISO 12100:2010

EN 62841-2-1:2018

EN 55014-1:2017

EN 55014-2:2015

EN 61000-3-2:2014

EN 61000-3-3:2013

EN IEC 63000:2018

Partille, 2022-03-11



Erik Silfverberg

Directeur R&D, Betonzagen en -boormachines

Husqvarna AB, Construction-divisie

Verantwoordelijk voor technische documentatie



---

## Geregistreerde handelsmerken

---

Het *Bluetooth*<sup>®</sup>-woordmerk en de logo's zijn geregistreerde handelsmerken die eigendom zijn van *Bluetooth SIG, inc.* en het gebruik van deze merken door Husqvarna vindt plaats onder licentie.

---

## Inhalt

---

Einleitung.....	74	Technische Daten.....	95
Sicherheit.....	76	Zubehör.....	96
Betrieb.....	83	Service.....	96
Wartung.....	90	Konformitätserklärung.....	97
Fehlerbehebung.....	92	Eingetragene Marken.....	98
Transport und Lagerung.....	93		

---

## Einleitung

---

### Gerätebeschreibung

Dieser Husqvarna-Kernbohrmotor ist ein elektrischer handgeführter Diamantkernbohrer. Er kann trocken oder nass in allen zugelassenen Materialien verwendet werden. Siehe *Verwendungszweck auf Seite 74*.

Das Diamantbohrbit ist ein Hohlbohrer mit Diamantsegmenten.

Beim Nassbohren fließt Wasser durch das Kugelventil, den Schlauch und das Diamantbohrbit. Das Wasser spült das Bohrklein aus dem Schlitz und senkt die Temperatur im Bohrbit. Verwenden Sie einen Staubabsauger und einen Ring, der das Wasser aufnimmt, um das Wasser erneut zu entfernen.

Beim Nassbohren entfernen Sie das Bohrklein mit einem Staubabsauger durch das Bohrbit und das Staubabsauger-Verbindungsteil. Dadurch wird die Temperatur im Bohrbit gesenkt.

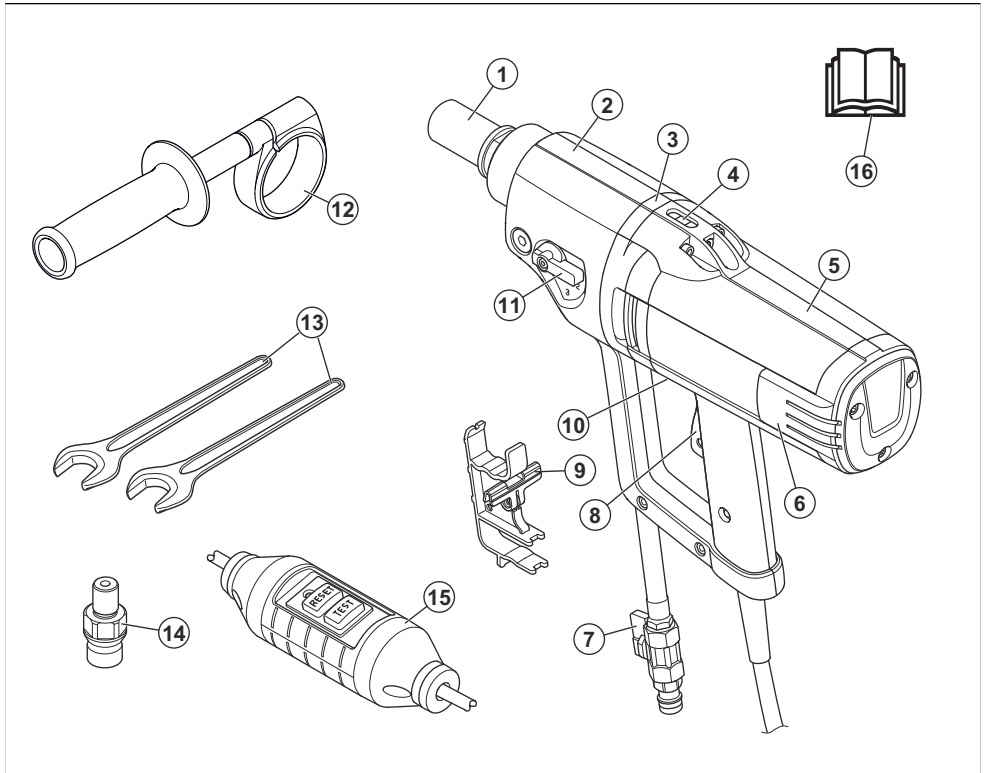
Dieses Gerät verfügt über eine Smartstart™-Funktion. Siehe *So bohren Sie mit der Smartstart™-Funktion an auf Seite 88*.

### Verwendungszweck

Das Gerät ist zum Bohren von Beton, Ziegel und Fels ausgelegt. Jede andere Verwendung ist nicht korrekt.

Das Gerät wird von erfahrenen Bedienern im Industriebetrieb eingesetzt.

## Geräteübersicht



1. Bohrspindel
2. Getriebe
3. Leckageöffnung
4. Wasserwaage
5. Motormodul
6. Inspektionsklappe
7. Wasseranschluss
8. Netzschalter
9. Gashebelsperrenhalterung
10. Smartstart™
11. Schaltknopf
12. Zusatzgriff und Adapter
13. Schraubenschlüssel
14. Adapterkupplung (nur Nordamerika)
15. PRCD

**Hinweis:** In dieser Bedienungsanleitung verwenden wir den Begriff PRCD für PRCD und GFCI.

16. Bedienungsanleitung

## Symbole auf dem Gerät



**WARNING!** Dieses Gerät kann gefährlich sein und schwere oder tödliche Verletzungen des Bedieners oder anderer Personen verursachen. Gehen Sie vorsichtig vor, und verwenden Sie das Gerät ordnungsgemäß.



Lesen Sie die Bedienungsanleitung sorgfältig durch, und machen Sie sich mit den Anweisungen vertraut, bevor Sie das Gerät benutzen.



Tragen Sie immer eine zugelassene persönliche Schutzausrüstung. Siehe *Persönliche Schutzausrüstung auf Seite 81*.



Dieses Gerät stimmt mit den geltenden CE-Richtlinien überein.



**Umweltkennzeichen.** Das Gerät und die Verpackung des Geräts dürfen nicht über den Hausmüll entsorgt werden. Recyceln Sie es an einer offiziellen Recyclingstation für elektrische und elektronische Geräte.



Stellen Sie sicher, dass kein Wasser in das Gerät eindringen kann, wenn Sie in die Decke bohren. Verwenden Sie einen passenden Wassersammler.

**Hinweis:** Andere Symbole/Aufkleber am Gerät beziehen sich auf spezielle

Zertifizierungsanforderungen, die in bestimmten Ländern gelten.

## Produktschäden

Wir haften nicht für Schäden an unserem Produkt, wenn:

- das Gerät nicht ordnungsgemäß repariert wird.
- das Gerät mit Teilen repariert wird, die nicht vom Hersteller stammen oder nicht vom Hersteller zugelassen sind.
- ein Zubehörteil mit dem Gerät verwendet wird, das nicht vom Hersteller stammt oder nicht vom Hersteller zugelassen ist.
- das Gerät nicht bei einem zugelassenen Service Center oder von einem zugelassenen Fachmann repariert wird.

## Sicherheit

### Sicherheitsdefinitionen

Warnungen, Vorsichtsmaßnahmen und Hinweise werden verwendet, um auf besonders wichtige Teile der Bedienungsanleitung hinzuweisen.



**WARNUNG:** Wird verwendet, wenn bei Nichtbeachtung der Anweisungen in diesem Handbuch die Gefahr von Verletzung oder Tod des Bedieners oder anderer Personen besteht.



**ACHTUNG:** Wird verwendet, wenn bei Nichtbeachtung der Anweisungen in diesem Handbuch die Gefahr von Schäden am Gerät, an anderen Materialien oder in der Umgebung besteht.

**Hinweis:** Für weitere Informationen, die in bestimmten Situationen nötig sind.

### Allgemeine Sicherheitshinweise für Elektrowerkzeuge



**WARNUNG:** Lesen Sie alle für dieses Elektrowerkzeug vorgesehenen Sicherheitshinweise, Anleitungen, Abbildungen und technischen Daten. Wenn Sie die unten stehenden Anweisungen nicht befolgen, kann dies zu elektrischen Schlägen, Brand und/oder schweren Verletzungen führen.

Bewahren Sie alle Warnhinweise und Anweisungen für spätere Referenzzwecke auf. Der Begriff „Elektrowerkzeug“ in den Warnhinweisen bezieht sich

auf ein Elektrowerkzeug mit Netzbetrieb (über ein Kabel) oder mit Akkubetrieb (kabellos).

### Sicherheit im Arbeitsbereich

- **Sorgen Sie für einen sauberen und gut ausgeleuchteten Arbeitsbereich.** Durch zugestellte oder dunkle Arbeitsbereiche steigt die Unfallgefahr stark an.
- **Betreiben Sie Elektrowerkzeuge niemals an Orten, an denen Explosionsgefahr besteht, z. B. in der Nähe von leicht entzündlichen Flüssigkeiten, Gasen oder Staubansammlungen.** Bei der Arbeit mit Elektrowerkzeugen kann es zu Funkenbildung kommen, wodurch sich Staub oder Dämpfe entzünden können.
- **Sorgen Sie bei der Arbeit mit Elektrowerkzeugen dafür, dass sich keine Kinder oder unbefugte Personen in der Nähe befinden.** Durch Ablenkungen können Sie die Kontrolle über das Werkzeug verlieren.

### Elektrische Sicherheit



**WARNUNG:** Bei elektrisch angetriebenen Geräten besteht immer die Gefahr von elektrischen Schlägen. Verwenden Sie das Gerät nicht bei schlechtem Wetter. Vermeiden Sie, dass Ihr Körper Blitzableiter oder Metallgegenstände berührt. Befolgen Sie unbedingt die Anweisungen in der Betriebsanleitung, um Schäden zu verhindern.



**WARNUNG:** Reinigen Sie das Gerät nicht mit Wasser. Wasser kann in das elektrische System oder den Motor eindringen und so Schäden am Gerät oder einen Kurzschluss auslösen.



**WARNUNG:** Verwenden Sie das Gerät immer mit dem FI-Schutzschalter, der dem Werkzeug beiliegt.

- Die Netzstecker von Elektrowerkzeugen müssen zur Steckdose passen. Der Netzstecker darf in keiner Weise verändert werden. Verwenden Sie bei Elektrowerkzeugen mit Schutzkontakt (geerdet) niemals Adapterstecker. Nicht modifizierte Stecker und passende Steckdosen reduzieren das Risiko eines Stromschlags.
- Vermeiden Sie Körperkontakt mit geerdeten Gegenständen wie Rohrleitungen, Heizungen, Herden oder Kühlschränken. Bei Körperkontakt mit geerdeten Gegenständen besteht ein erhöhtes Stromschlagrisiko.
- Falls der Einsatz eines Elektrowerkzeugs in einer feuchten Umgebung nicht zu vermeiden ist, benutzen Sie eine Stromversorgung mit FI-Schutzschalter (RCD). Die Verwendung eines FI-Schutzschalters verringert das Risiko eines Stromschlags. Es wird ein FI-Schutzschalter mit einem Wirkstrom von weniger als 30 mA empfohlen.
- Schließen Sie das Gerät nur an ordnungsgemäß geerdete Steckdosen an.
- Kontrollieren Sie, ob die Netzspannung und die Sicherungen mit den Angaben auf dem Gerätetypenschild übereinstimmt.
- Stellen Sie sicher, dass Strom- und Verlängerungskabel intakt und in gutem Zustand sind.
- Wenn Sie ein Elektrowerkzeug im Freien benutzen, verwenden Sie ein für den Außeneinsatz geeignetes Verlängerungskabel. Die Verwendung eines für den Außeneinsatz geeigneten Kabels verringert das Risiko eines Stromschlags.
- Benutzen Sie das Gerät keinesfalls, wenn das Kabel beschädigt ist. In diesem Fall muss es zur Reparatur an ein autorisiertes Service Center gegeben werden. Ein beschädigtes Kabel kann schwere Verletzungen und im schlimmsten Fall den Tod zur Folge haben.
- Stellen Sie sicher, dass das Verlängerungskabel ausgerollt ist, bevor Sie es verwenden, damit es nicht überhitzt.
- Verwenden Sie das Anschlusskabel nicht missbräuchlich. Verwenden Sie das Anschlusskabel niemals zum Tragen oder Heranziehen des Elektrowerkzeugs, und ziehen Sie den Stecker nicht am Anschlusskabel aus der Steckdose. Halten Sie das Kabel fern von Hitzequellen, Öl, scharfen Kanten und beweglichen Teilen. Beschädigte oder verdrehte Anschlusskabel erhöhen das Stromschlagrisiko.
- Setzen Sie Elektrowerkzeuge niemals Regen oder sonstiger Feuchtigkeit aus. Wenn Wasser in ein Elektrowerkzeug eindringt, erhöht sich das Stromschlagrisiko.
- Vergewissern Sie sich, dass das Netzkabel hinter Ihnen liegt, wenn Sie die Arbeit mit dem Gerät

aufnehmen. Dadurch sollen Schäden am Kabel vermieden werden.

- **Setzen Sie Elektrowerkzeuge niemals Regen oder sonstiger Feuchtigkeit aus.** Wenn Wasser in ein Elektrowerkzeug eindringt, erhöht sich das Stromschlagrisiko.
- **Verwenden Sie das Anschlusskabel nicht missbräuchlich. Verwenden Sie das Anschlusskabel niemals zum Tragen oder Heranziehen des Elektrowerkzeugs, und ziehen Sie den Stecker nicht am Anschlusskabel aus der Steckdose. Halten Sie das Kabel fern von Hitzequellen, Öl, scharfen Kanten und beweglichen Teilen.** Beschädigte oder verdrehte Anschlusskabel erhöhen das Stromschlagrisiko.
- **Wenn Sie ein Elektrowerkzeug im Freien benutzen, verwenden Sie ein für den Außeneinsatz geeignetes Verlängerungskabel.** Die Verwendung eines für den Außeneinsatz geeigneten Kabels verringert das Risiko eines Stromschlags.

## Persönliche Sicherheit

- **Blieben Sie aufmerksam, achten Sie auf das, was Sie tun, und setzen Sie gesunden Menschenverstand ein, wenn Sie mit Elektrowerkzeugen arbeiten. Benutzen Sie keine Elektrowerkzeuge, wenn Sie müde sind oder unter dem Einfluss von Drogen, Alkohol oder Medikamenten stehen.** Bei der Arbeit mit Elektrowerkzeugen können bereits kurze Phasen der Unaufmerksamkeit zu schweren Verletzungen führen.
- **Tragen Sie eine persönliche Schutzausrüstung. Tragen Sie stets einen Augenschutz.** Schutzausrüstung wie Atemschutzmaske, rutschsichere Sicherheitsschuhe, Schutzhelm und Gehörchutz senkt bei angemessenem Einsatz das Verletzungsrisiko.
- **Vermeiden Sie ein versehentliches Starten. Achten Sie darauf, dass sich der Schalter in der AUS-Stellung befindet, bevor Sie das Elektrowerkzeug an die Stromversorgung und/oder den Akku anschließen oder es hochheben oder herumtragen.** Durch Herumtragen von Elektrowerkzeugen mit dem Finger am Schalter und das Einstecken des Steckers bei betätigtem Schalter steigt das Unfallrisiko stark an.
- **Entfernen Sie sämtliche Einstellschlüssel, bevor Sie das Elektrowerkzeug einschalten.** Ein an einem beweglichen Teil des Elektrowerkzeugs angebrachter Schlüssel kann zu Verletzungen führen.
- **Sorgen Sie für einen festen Stand. Achten Sie jederzeit darauf, sicher zu stehen und das Gleichgewicht zu bewahren.** Dadurch haben Sie das Elektrowerkzeug in unerwarteten Situationen besser im Griff.
- **Kleiden Sie sich richtig. Tragen Sie niemals lose sitzende Kleidung oder Schmuck. Halten Sie Haar und Kleidung von beweglichen Teilen fern.** Lose

sitzende Kleidung, Schmuck oder langes Haar kann von beweglichen Teilen erfasst werden.

- **Wenn Anschlüsse für Staubabsaug- und Staubsammelvorrichtungen vorhanden sind, sorgen Sie dafür, dass diese richtig angeschlossen und eingesetzt werden.** Die Verwendung von Staubsammelvorrichtungen vermindert durch Staub verursachte Gefahren.
- **Auch wenn Sie durch häufige Verwendung bestens mit den Werkzeugen vertraut sind, dürfen Sie keinesfalls nachlässig werden und die Sicherheitsgrundsätze ignorieren.** Eine achtlose Handlung kann im Bruchteil einer Sekunde zu schweren Verletzungen führen.

## Verwendung und Pflege von Elektrowerkzeugen

- **Überbeanspruchen Sie Elektrowerkzeuge nicht. Benutzen Sie das richtige Elektrowerkzeug für Ihren Einsatzzweck.** Das richtige Elektrowerkzeug erledigt seine Arbeit bei bestimmungsgemäßem Einsatz besser und sicherer.
- **Benutzen Sie das Elektrowerkzeug nicht, wenn es sich nicht am Schalter ein- und ausschalten lässt.** Jedes Elektrowerkzeug, das nicht mit dem Schalter betätigt werden kann, stellt eine Gefahr dar und muss repariert werden.
- **Trennen Sie das Elektrowerkzeug von der Stromversorgung, bzw. entfernen Sie den Akku, bevor Sie Einstellungen vornehmen, Zubehörteile austauschen oder das Elektrowerkzeug verstanen.** Solche präventiven Sicherheitsmaßnahmen verhindern den unbeabsichtigten Start des Elektrowerkzeugs.
- **Lagern Sie nicht benutzte Elektrowerkzeuge außerhalb der Reichweite von Kindern, und lassen Sie nicht zu, dass Personen das Elektrowerkzeug bedienen, die nicht mit dem Werkzeug selbst und/oder diesen Anweisungen vertraut sind.** Elektrowerkzeuge stellen in ungeschulten Händen eine Gefahr dar.
- **Warten Sie Elektrowerkzeuge und Zubehör. Prüfen Sie auf Fehlausrichtungen, sicheren Halt und Leichtgängigkeit beweglicher Teile, Beschädigungen von Teilen sowie auf jegliche andere Zustände, die sich auf den Betrieb des Elektrowerkzeugs auswirken können. Bei Beschädigungen lassen Sie das Elektrowerkzeug reparieren, bevor Sie es benutzen.** Viele Unfälle mit Elektrowerkzeugen sind auf schlechte Wartung zurückzuführen.
- **Halten Sie Schneidwerkzeuge scharf und sauber.** Ordnungsgemäß gewartete Schneidwerkzeuge mit scharfen Schneidkanten bleiben seltener hängen und sind einfacher zu bedienen.
- **Benutzen Sie Elektrowerkzeuge, Zubehör, Werkzeugeinsätze und Ähnliches in Übereinstimmung mit diesen Anweisungen und auf die für das jeweilige Elektrowerkzeug bestimmungsgemäße Weise, und beachten Sie dabei die jeweiligen Arbeitsbedingungen und die**

**Art der auszuführenden Arbeiten.** Der Einsatz eines Elektrowerkzeugs für Zwecke, die von den hier angegebenen abweichen, kann zu Gefahrsituationen führen.

- **Halten Sie die Handgriffe und Griffflächen trocken, sauber und frei von Öl und Fett.** Wenn Handgriffe und Griffflächen rutschig sind, kann das Werkzeug in unerwarteten Situationen nicht sicher bedient und kontrolliert werden.

## Service

- **Lassen Sie das Elektrowerkzeug von einem qualifizierten Fachmann reparieren, und bestehen Sie darauf, dass nur Originalersatzteile verwendet werden.** Auf diese Weise wird dafür gesorgt, dass die Sicherheit des Elektrowerkzeugs nicht beeinträchtigt wird.
- **Warten Sie niemals beschädigte Akkus.** Akkus dürfen nur vom Hersteller oder von autorisierten Serviceanbietern gewartet werden.

## Warnhinweise zur Bohrsicherheit – für handgeführtes Bohren



**WARNUNG:** Die Vibrationsemissionen während der tatsächlichen Verwendung des Elektrowerkzeugs können abhängig von der Verwendungsart des Werkzeugs vom angegebenen Gesamtwert abweichen.

## Sicherheitshinweise für alle handgeführten Bohrarbeiten

- **Verwenden Sie den Zusatzgriff bzw. die Zusatzgriffe.** Wenn die Maschine außer Kontrolle gerät, kann dies Personenschäden zur Folge haben.
- **Führen Sie keine handgeführten Bohrarbeiten auf einer Leiter oder einem Gerüst aus.**
- **Achten Sie auf einen festen Stand.**
- **Halten Sie das Elektrowerkzeug an den isolierten Griffflächen fest, wenn Sie Arbeiten ausführen, bei denen das Schneidzubehör mit versteckten Kabeln oder dem eigenen Kabel in Berührung kommen kann.** Schneidzubehör, das mit einer stromführenden Leitung in Berührung kommt, kann freiliegende Metallteile des Elektrowerkzeugs unter Strom setzen und dem Bediener einen Stromschlag versetzen.

## Sicherheitshinweise bei Verwendung langer Bohrbits

- **Arbeiten Sie niemals mit einer höheren Drehzahl als der maximalen Nenndrehzahl des Bohrbits.** Bei höheren Drehzahlen ist es wahrscheinlich, dass sich das Bohrbit verbiegt, wenn es sich frei drehen kann, ohne das Werkstück zu berühren, woraus Verletzungen resultieren können.
- **Bohren Sie immer mit niedriger Drehzahl und so, dass die Bitspitze in Kontakt mit dem Werkstück ist.** Bei höheren Drehzahlen ist es wahrscheinlich, dass

sich das Bohrbit verbiegt, wenn es sich frei drehen kann, ohne das Werkstück zu berühren, woraus Verletzungen resultieren können.

- **Üben Sie Druck nur in direkter Linie zum Bit aus, und üben Sie keinen übermäßigen Druck aus.** Bits können sich verbiegen und zum Bruch oder Kontrollverlust führen, woraus Verletzungen resultieren können.

## Sicherheitshinweise für Diamantbohrer

- **Leiten Sie bei Bohrarbeiten, bei denen Wasser erforderlich ist, das Wasser vom Arbeitsbereich des Bedieners weg, oder verwenden Sie ein Gerät zum Auffangen von Flüssigkeiten.** Durch solche Vorsichtsmaßnahmen bleibt der Arbeitsbereich des Bedieners trocken, und die Gefahr von elektrischen Schlägen wird verringert.
- **Halten Sie das Elektrowerkzeug an den isolierten Griffflächen fest, wenn Sie Arbeiten ausführen, bei denen das Schneidzubehör mit versteckten Kabeln oder dem eigenen Kabel in Berührung kommen kann.** Schneidzubehör, das mit einer stromführenden Leitung in Berührung kommt, kann freiliegende Metallteile des Elektrowerkzeugs unter Strom setzen und dem Bediener einen Stromschlag versetzen.
- **Tragen Sie beim Bohren mit Diamantwerkzeugen einen Gehörschutz.** Lärm kann zu Hörverlust führen.
- **Wenn das Bit klemmt, üben Sie keinen Druck mehr nach unten aus und schalten das Werkzeug aus.** Suchen Sie nach der Ursache für das Klemmen des Bits, und nehmen Sie entsprechende Korrekturmaßnahmen vor.
- **Stellen Sie beim erneuten Anschalten eines Diamantbohrers im Werkstück vor dem Start sicher, dass sich das Bit frei dreht.** Wenn das Bit klemmt, startet es möglicherweise nicht. Das kann das Werkzeug überlasten oder dazu führen, dass sich der Diamantbohrer aus dem Werkstück löst.
- **Wenn Sie den Bohrständer mit Verankerungen und Befestigungselementen am Werkstück befestigen, stellen Sie sicher, dass die verwendeten Verankerungen das Gerät halten und sichern können, während es läuft.** Ist das Werkstück schwach oder porös, kann die Verankerung sich herauslösen, wodurch sich der Bohrständer vom Werkstück löst.
- **Wenn Sie den Bohrständer mit einem Vakuum-Pad am Werkstück befestigen, bringen Sie das Pad auf einer glatten, sauberen, nicht porösen Oberfläche an. Befestigen Sie es nicht an laminierten Oberflächen wie Fliesen oder Verbundwerkstoffen.** Wenn das Werkstück nicht glatt, flach oder gut befestigt ist, kann sich das Pad vom Werkstück lösen.
- **Stellen Sie vor und während des Bohrens sicher, dass ein ausreichender Unterdruck vorhanden ist.** Wenn der Unterdruck nicht ausreicht, kann sich das Pad vom Werkstück lösen.

- **Führen Sie niemals eine Bohrung durch, wenn die Maschine nur durch das Vakuum-Pad gesichert ist, außer es handelt sich um eine Bohrung nach unten.** Wenn der Unterdruck verloren geht, löst sich das Pad vom Werkstück.
- **Stellen Sie beim Bohren durch Wände oder Decken sicher, dass Personen und Arbeitsbereiche auf der anderen Seite geschützt sind.** Das Bit kann durch das Loch hinausragen, oder der Kern kann auf der anderen Seite herausfallen.
- **Verwenden Sie beim Überkopfbohren stets das in den Anweisungen genannte Flüssigkeitsauffanggerät. Lassen Sie kein Wasser in das Werkzeug eindringen.** Wenn Wasser in das Elektrowerkzeug eindringt, erhöht sich das Risiko von elektrischen Schlägen.

## Allgemeine Sicherheitshinweise



**WARNUNG:** Lesen Sie die folgenden Warnhinweise, bevor Sie das Gerät verwenden.

- Dieses Gerät ist ein gefährliches Werkzeug, wenn Sie nicht aufpassen oder es unsachgemäß verwenden. Dieses Gerät kann schwere oder tödliche Verletzungen des Bedieners oder anderer Personen verursachen. Es ist sehr wichtig, dass Sie vor der Anwendung des Produkts den Inhalt dieser Bedienungsanleitung gelesen und verstanden haben.
- Der Gebrauch dieses Geräts ist Personen (einschließlich Kindern), die über eingeschränkte körperliche, sensorische oder geistige Fähigkeiten verfügen oder denen es an der erforderlichen Erfahrung und Kenntnissen mangelt, untersagt.
- Bewahren Sie alle Warn- und Sicherheitshinweise auf.
- Halten Sie alle geltenden Gesetze und Vorschriften ein.
- Der Bediener und dessen Arbeitgeber müssen die mit dem Betrieb des Geräts verbundenen Gefahren kennen und vermeiden.
- Untersagen Sie allen Personen die Benutzung des Geräts, bis diese den Inhalt der Bedienungsanleitung gelesen und verstanden haben.
- Verwenden Sie das Gerät nicht, ohne vorher dafür geschult worden zu sein. Stellen Sie sicher, dass alle Bediener Schulungen erhalten.
- Lassen Sie nicht zu, dass Kinder das Gerät verwenden.
- Es dürfen nur zugelassene Personen mit dem Gerät arbeiten.
- Der Bediener ist für Unfälle verantwortlich, die anderen Personen zustoßen oder an deren Eigentum entstehen.

- Verwenden Sie das Gerät nicht, wenn Sie müde oder krank sind oder unter Einfluss von Alkohol, Drogen oder Medikamenten stehen.
- Lassen Sie immer Vorsicht walten, und arbeiten Sie mit gesundem Menschenverstand.
- Dieses Gerät erzeugt beim Betrieb ein elektromagnetisches Feld. Dieses Feld kann sich unter bestimmten Bedingungen auf die Funktionsweise aktiver oder passiver medizinischer Implantate auswirken. Um die Gefahr von Situationen, die zu schweren oder tödlichen Verletzungen führen können, zu verringern, sollten Personen mit einem medizinischen Implantat vor der Nutzung dieses Gerätes mit ihrem Arzt und dem Hersteller des Implantats sprechen.
- Halten Sie das Gerät sauber. Stellen Sie sicher, dass Symbole und Aufkleber deutlich lesbar sind.
- Verwenden Sie das Gerät nicht, wenn es beschädigt ist.
- Nehmen Sie keine Modifikationen am Gerät vor.
- Bedienen Sie das Gerät nicht, wenn die Möglichkeit besteht, dass andere Personen Modifikationen daran vorgenommen haben.

## Arbeiten Sie stets mit gesundem Menschenverstand!



**WARNUNG:** An der Bauweise des Geräts dürfen ohne vorherige Genehmigung des Herstellers keine Veränderungen vorgenommen werden. Verwenden Sie stets Originalersatzteile. Unzulässige Änderungen und/oder Zubehör können zu schweren oder tödlichen Verletzungen des Benutzers oder anderer Personen führen.



**WARNUNG:** Die Verwendung von Fräsmaschinen, Schleifmaschinen und Bohrern, die Material abschleifen oder umformen, kann Staub und Ausdünstungen verursachen, die gefährliche Chemikalien enthalten können. Überprüfen Sie die Beschaffenheit des Materials, das Sie bearbeiten wollen, und verwenden Sie einen geeigneten Atemschutz.

Es ist nicht möglich, hier alle denkbaren Situationen zu beschreiben, die beim Gebrauch dieses Geräts auftreten könnten. Gehen Sie stets vorsichtig vor und arbeiten Sie mit gesundem Menschenverstand. Vermeiden Sie Situationen, denen Sie sich nicht gewachsen fühlen. Wenn Sie sich nach dem Lesen dieser Anweisungen immer noch unsicher fühlen, wie Sie vorgehen sollen, bitten Sie einen Fachmann um Rat, bevor Sie fortfahren.

Zögern Sie nicht, Ihren Husqvarna-Fachhändler anzusprechen, wenn Sie Fragen bezüglich des Gebrauchs des Geräts haben. Wir sind gerne für Sie da

und helfen Ihnen beim optimalen und sicheren Einsatz Ihres Geräts.

Ihr Husqvarna-Fachhändler sollte das Gerät regelmäßig überprüfen und notwendige Einstellungen und Reparaturen vornehmen.

Husqvarna Construction Products arbeitet ständig an der Weiterentwicklung der Geräte. Husqvarna behält sich daher das Recht vor, ohne vorherige Ankündigung und ohne weitere Verpflichtungen Konstruktionsänderungen einzuführen.

Alle Informationen und Daten dieser Bedienungsanleitung gelten zum Zeitpunkt der Drucklegung.

## Sicherheitshinweise für den Betrieb



**WARNUNG:** Lesen Sie die folgenden Warnhinweise, bevor Sie das Gerät verwenden.



**WARNUNG:** Die Geräuschemissionen während der tatsächlichen Verwendung des Elektrowerkzeugs können abhängig von der Verwendungsart des Werkzeugs und insbesondere der Art, in der das Werkstück bearbeitet wird, von den angegebenen Werten abweichen.



**WARNUNG:** Stellen Sie sicher, dass Sie Sicherheitsmaßnahmen für den Schutz der Bediener ergreifen, die auf einer Beurteilung der Exposition unter tatsächlichen Nutzungsbedingungen beruht. Dabei sind alle Teile des Betriebszyklus zu berücksichtigen, z. B. abgesehen von der Zeit im Gashebelbetrieb, die Zeiten, wenn das Werkzeug ausgeschaltet ist und wenn es im Leerlauf betrieben wird.

- Bedienen Sie das Gerät nur dann, wenn Sie bei einem Unfall Hilfe bekommen können.
- Verwenden Sie das Gerät nicht bei Nebel, Regen, starkem Wind, großer Kälte oder sonstigen Schlechtwetterbedingungen. Bei schlechtem Wetter könnten sich gefährliche Bedingungen (z. B. rutschige Bodenflächen) einstellen.
- Achten Sie auf Personen, Objekte und Situationen, die einen sicheren Betrieb des Geräts verhindern könnten.
- Wenn der Bohrer nach oben zeigt, während er läuft, verwenden Sie immer einen passenden Behälter, um das Wasser aufzufangen.
- Bringen Sie das Gerät bei Verwendung in einem Bohrständer vor dem Betrieb immer an einem passenden Bohrständer an. Siehe *So verwenden Sie das Gerät mit einem Bohrständer auf Seite 84*.



- Stellen Sie sicher, dass Sie den Motor in einem Notfall immer schnell stoppen können.
- Stellen Sie außerdem sicher, dass sich keine Rohre oder Elektrokabel im Bohrbereich befinden.
- Wenn das Gerät nicht ordnungsgemäß funktioniert, stoppen Sie den Motor.
- Stellen Sie sicher, dass Sie während der Arbeit eine sichere und stabile Position einnehmen.
- Halten Sie stets Abstand zur Bohrkrone, wenn der Motor läuft.
- Entfernen Sie sich nicht vom Gerät, wenn der Motor eingeschaltet ist.
- Trennen Sie stets das Stromkabel, bevor Sie sich vom Gerät entfernen.
- Halten Sie alle Teile in einwandfreiem Zustand, und stellen Sie sicher, dass alle Befestigungsteile korrekt festgezogen sind.
- Wenn Vibrationen im Gerät auftreten oder es ungewöhnlich laut ist, stoppen Sie es umgehend. Untersuchen Sie das Gerät auf beschädigte Teile. Reparieren Sie Schäden, oder lassen Sie eine zugelassene Servicewerkstatt die Reparatur durchführen.
- Verwenden Sie immer zugelassenes Zubehör. Ihr Händler steht Ihnen gern für weitere Informationen zur Verfügung.
- **Das Werkzeug vor der Verwendung ordnungsgemäß befestigen.** Dieses Werkzeug erzeugt ein hohes Drehmoment, und wenn es während des Betriebs nicht ordnungsgemäß befestigt wird, kann es zu einem Verlust der Kontrolle und somit zu Verletzungen kommen.

## Verlängerungskabel

- Verwenden Sie nur zugelassene Verlängerungskabel mit ausreichender Länge.
- Der Nennwert auf dem Verlängerungskabel muss dem auf dem Typenschild des Geräts angegebenen Wert entsprechen oder höher sein.
- Verwenden Sie Schuko-Verlängerungskabel.
- Wenn Sie das Gerät im Freien benutzen, verwenden Sie ein für den Außeneinsatz geeignetes Verlängerungskabel. Dadurch wird das Risiko von Stromschlägen verringert.
- Achten Sie darauf, dass die Verbindung mit dem Verlängerungskabel trocken ist und keinen Bodenkontakt hat.
- Halten Sie das Verlängerungskabel fern von Hitzequellen, Öl, scharfen Kanten und beweglichen Teilen. Ein beschädigtes Kabel erhöht das Risiko eines Stromschlags.
- Stellen Sie sicher, dass sich das Verlängerungskabel in einem guten Zustand befindet und unbeschädigt ist.
- Verwenden Sie das Verlängerungskabel nicht im aufgewickelten Zustand. Dies kann dazu führen, dass das Verlängerungskabel zu heiß wird.

- Vergewissern Sie sich, dass sich das Verlängerungskabel hinter Ihnen und dem Gerät befindet, wenn Sie mit dem Gerät arbeiten. Dadurch wird eine Beschädigung des Verlängerungskabels vermieden.

## Persönliche Schutzausrüstung



**WARNUNG:** Lesen Sie die folgenden Warnhinweise, bevor Sie das Gerät benutzen.

- Verwenden Sie immer geeignete persönliche Schutzausrüstung bei der Benutzung des Geräts. Das Tragen persönlicher Schutzausrüstung schließt das Risiko von Verletzungen nicht aus. Das Tragen persönlicher Schutzausrüstung verringert das Ausmaß der Verletzungen bei einem Unfall. Lassen Sie sich von Ihrem Händler bei der Auswahl der richtigen Ausrüstung unterstützen.
- Tragen Sie einen zugelassenen Augenschutz beim Arbeiten mit dem Gerät.
- Tragen Sie keine lose, schwere und ungeeignete Kleidung. Tragen Sie Kleidung, in der Sie sich ungehindert bewegen können.
- Verwenden Sie zugelassene Schutzhandschuhe, die einen festen Griff ermöglichen.
- Tragen Sie Schutzhandschuhe aus Gummi, um Hautreizungen durch feuchten Beton vorzubeugen.
- Verwenden Sie einen zugelassenen Schutzhelm.
- Tragen Sie stets einen zugelassenen Gehörschutz beim Arbeiten mit dem Gerät. Lärmbelastung über einen längeren Zeitraum kann zu lärmbedingten Hörschäden führen.
- Das Gerät erzeugt Staub und Dämpfe, die gefährliche Chemikalien enthalten. Verwenden Sie einen zugelassenen Atemschutz.
- Tragen Sie Stiefel mit Stahlkappen und rutschfesten Sohlen.
- Vergewissern Sie sich, dass Sie einen Erste-Hilfe-Kasten griffbereit haben.
- Beim Arbeiten mit dem Gerät können Funken entstehen. Vergewissern Sie sich, dass Sie einen Feuerlöscher griffbereit haben.

## Sicherheitsvorrichtungen am Gerät



**WARNUNG:** Lesen Sie die folgenden Warnhinweise, bevor Sie das Gerät verwenden.

- Benutzen Sie nie ein Gerät mit defekter Sicherheitsausrüstung! Wenn Ihr Gerät diesen Anforderungen nicht entspricht, muss eine Servicewerkstatt aufgesucht werden.
- Verwenden Sie das Gerät nicht, wenn Schutzbleche, Schutzabdeckungen, Sicherheitsschalter oder andere Schutzvorrichtungen nicht angebracht oder beschädigt sind.

## Motorüberlastungsschutz, Elgard™

Der Motorüberlastungsschutz wird ausgelöst, wenn der Motor überlastet ist oder das Bohrbit sich nicht frei drehen kann.

Für einige Sekunden senkt und erhöht der Motorüberlastungsschutz abwechselnd die vom Motor kommende Leistung in kurzen Intervallen. Dann hält der Motor an, wenn Sie den Druck nicht verringern. Siehe *So setzen Sie den Motorüberlastschutz zurück auf Seite 89.*

## Reibungskupplung

Die Reibungskupplung ist im Getriebe des Geräts integriert. Sie verhindert Schäden am Gerät, wenn das Bohrbit während des Betriebs anhält. Bei Überlastung wird die Reibungskupplung entkuppelt, wodurch die Bohrspindel angehalten wird, der Motor aber einige Sekunden weiterläuft. Die Reibungskupplung kuppelt wieder ein, wenn die Last verringert wird. Dann kann der Betrieb fortgesetzt werden. Wenn sich das Bohrbit im Material verhak und ganz zum Stillstand kommt, stoppt die Reibungskupplung den Motor sofort.



**ACHTUNG:** Stellen Sie sicher, dass die Entkuppelungszeit nicht mehr als 3 bis 4 Sekunden beträgt. Andernfalls kommt es schnell zu Verschleiß und Erhitzung.

## PRCD



**WARNUNG:** Gilt nicht für den in England und Irland erhältlichen 110-V-Typ. England und Irland: Betreiben Sie den 110-V-Typ des Geräts nicht ohne Trenntransformator; siehe EN/IEC 61558-1 und EN/IEC 61558-2-23. Der Trenntransformator muss auf der Seite der Sekundärwicklung über ein geerdetes Massekabel verfügen.



**WARNUNG:** Tauchen Sie den PRCD-Schalter nicht in Wasser.

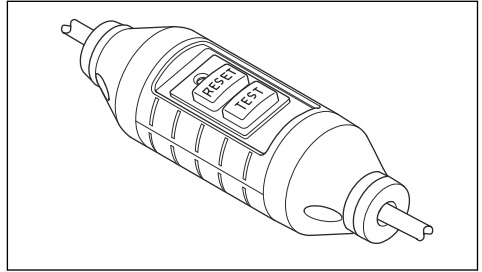


**WARNUNG:** Überprüfen Sie immer den PRCD-Schalter, bevor Sie das Gerät in Betrieb nehmen. Siehe *So überprüfen Sie den PRCD-Schalter auf Seite 82.*

Am Stromkabel des Geräts ist ein PRCD-Schalter installiert. Der PRCD-Schalter dient zum Schutz. Er wird ausgelöst, wenn ein elektrischer Fehler auftritt. Informationen dazu, bei welcher Stromstärke der PRCD-Schalter ausgelöst wird, finden Sie unter *Technische Daten auf Seite 95.*

Das rote Licht zeigt an, dass der PRCD-Schalter eingeschaltet ist und das Gerät gestartet werden kann.

Wenn das rote Licht nicht leuchtet, drücken Sie die RESET-Taste.



## So überprüfen Sie den PRCD-Schalter



**WARNUNG:** Gilt nicht für den in England und Irland erhältlichen 110-V-Typ. Siehe *PRCD auf Seite 82.*

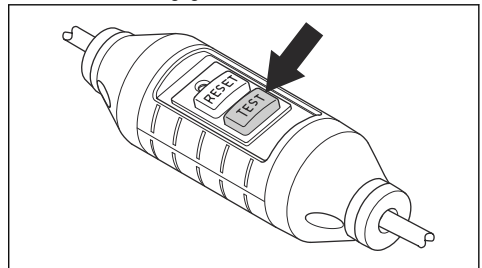


**WARNUNG:** Der PRCD-Schalter muss immer überprüft werden, wenn der Netzstecker an eine Netzsteckdose angeschlossen wird.



**WARNUNG:** Wenn der PRCD-Schalter repariert werden muss, wenden Sie sich immer an eine autorisierte Husqvarna-Servicewerkstatt.

1. Schließen Sie den Netzstecker des Geräts an eine Netzsteckdose an.
2. Drücken Sie auf die „RESET“-Taste. Die Anzeige über der Taste ist rot, wenn der Strom angeschlossen ist.
3. Starten Sie das Gerät, siehe *So starten Sie das Gerät auf Seite 88.*
4. Drücken Sie auf die „TEST“-Taste. Wenn das Gerät dadurch abgeschaltet wird, funktioniert der PRCD-Schalter ordnungsgemäß.



## Trenntransformator

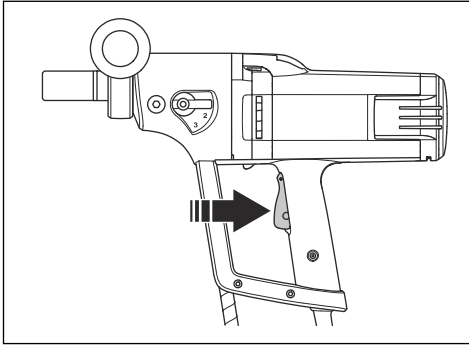
**Hinweis:** Gilt für den in England und Irland erhältlichen 110-V-Typ.

Betreiben Sie den 100-V-Typ des Geräts nicht ohne einen Trenntransformator gemäß EN/IEC 61558-1 und EN/IEC 61558-2-23.

Der Trenntransformator muss über Massekabel auf der 230-V- und der 110-V-Seite verfügen.

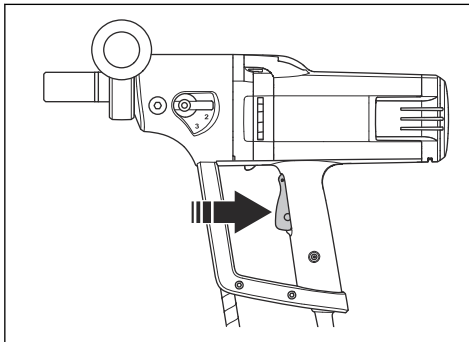
## Netzschalter

Der Netzschalter wird zum Starten und Stoppen des Geräts verwendet.

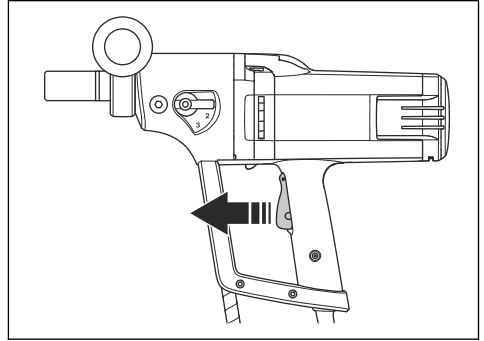


## So prüfen Sie den Netzschalter

1. Schließen Sie den Netzstecker des Geräts an eine Netzsteckdose an.
2. Drücken Sie den Netzschalter, um das Gerät zu starten.



3. Lassen Sie den Netzschalter los, um das Gerät zu stoppen.



## Sicherheitshinweise für die Wartung



**WARNUNG:** Kontrollen und/oder Wartungsarbeiten sind bei abgeschaltetem Motor und abgezogenem Stecker durchzuführen.

- Warten Sie Elektrowerkzeuge und Zubehör. Prüfen Sie, ob bewegliche Teile falsch eingestellt sind oder klemmen, ob Teile gebrochen oder so stark beschädigt sind, dass der sichere Betrieb des Elektrowerkzeugs beeinträchtigt werden kann. Bei Beschädigungen lassen Sie das Elektrowerkzeug reparieren, bevor Sie es benutzen. Viele Unfälle mit Elektrowerkzeugen sind auf schlechte Wartung zurückzuführen.
- Halten Sie Schneidwerkzeuge scharf und sauber. Ordnungsgemäß gewartete Schneidwerkzeuge mit scharfen Schneidkanten bleiben seltener hängen und sind einfacher zu bedienen.
- Lassen Sie das Elektrowerkzeug von einem qualifizierten Fachmann reparieren, und bestehen Sie darauf, dass nur Originalersatzteile verwendet werden. Auf diese Weise wird dafür gesorgt, dass die Sicherheit des Elektrowerkzeugs nicht beeinträchtigt wird.

## Betrieb

### Bevor Sie das Gerät bedienen

1. Lesen Sie die Bedienungsanleitung sorgfältig durch, und stellen Sie sicher, dass Sie die Anweisungen verstehen.

2. Führen Sie die tägliche Wartung durch. Siehe *Wartungsplan auf Seite 90*.

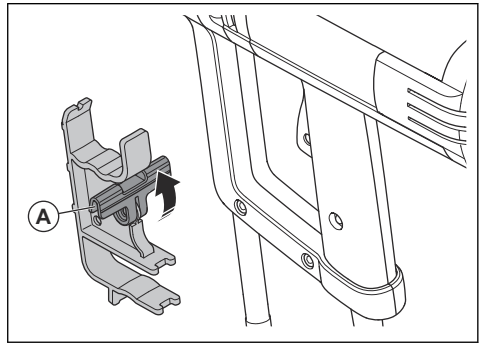
3. Stellen Sie sicher, dass Nennspannung und Nennstrom der Netzsteckdose mit Spannung und Strom des Geräts übereinstimmen.
4. Achten Sie darauf, dass der PRCD-Schalter eingeschaltet ist. Siehe *PRCD auf Seite 82* und *So überprüfen Sie den PRCD-Schalter auf Seite 82*.
5. Stellen Sie sicher, dass der Arbeitsbereich sauber und hell ist.
6. Tragen Sie eine persönliche Schutzausrüstung. Siehe *Persönliche Schutzausrüstung auf Seite 81*.
7. Stellen Sie sicher, dass das Gerät korrekt installiert ist. Die Bohrkronen müssen korrekt befestigt sein.
8. Wenn Sie das Gerät mit einem Bohrstander verwenden, lesen Sie die Bedienungsanleitung für den Bohrstander sorgfältig durch, und vergewissern Sie sich, dass Sie die Anweisungen verstanden haben. Stellen Sie sicher, dass das Gerät korrekt angebracht ist.
9. Wenn Sie keinen Bohrstander verwenden, muss der Zusatzgriff angebracht und vollständig angezogen sein. Siehe *So bringen Sie den Zusatzgriff in eine verwendbare Position auf Seite 85*.
10. Wenn Sie das Gerät trocken betreiben, verwenden Sie einen Staubabsauger. Siehe *So bereiten Sie das Gerät für das Trockenbohren vor auf Seite 85*.
11. Wenn Sie das Gerät nass betreiben, stellen Sie sicher, dass das Wassersystem nicht beschädigt ist, und verwenden Sie das Wasser-Anschlussstück. Siehe *So bereiten Sie das Gerät für das Nassbohren vor auf Seite 86*.
12. Stellen Sie beim Bohren über Kopf sicher, dass die entsprechenden Anweisungen befolgt werden. Siehe *So bereiten Sie das Gerät auf das Bohren über Kopf vor auf Seite 86*.

- Stellen Sie sicher, dass das Gerät korrekt am Bohrstander angebracht ist.
- Nutzen Sie es nur mit zugelassenen Husqvarna Bohrstandern. Siehe *Zubehör auf Seite 96*.
- Bringen Sie die Gashebelsperrenhalterung an. Siehe *So bringen Sie die Gashebelsperrenhalterung am Gerät an auf Seite 84*.

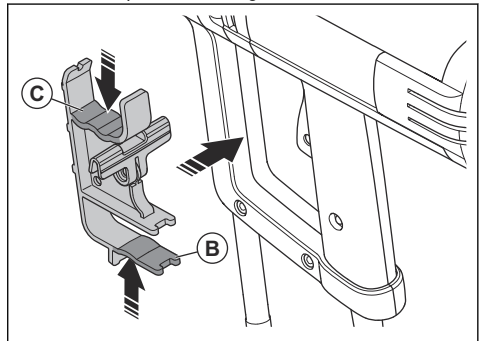
## So bringen Sie die Gashebelsperrenhalterung am Gerät an

Die Gashebelsperrenhalterung darf nur verwendet werden, wenn ein Bohrstander verwendet wird. Die Gashebelsperrenhalterung drückt und hält den Netzschalter in der Startposition.

1. Befestigen Sie das Gerät an einem Bohrstander. Siehe *So verwenden Sie das Gerät mit einem Bohrstander auf Seite 84*.
2. Drehen Sie den Knopf (A) gegen den Uhrzeigersinn.



3. Legen Sie Ihren Daumen auf den unteren Teil (B) der Gashebelsperrenhalterung, und legen Sie 2-4 Finger auf den oberen Teil (C) der Gashebelsperrenhalterung. Drücken Sie Daumen und Finger zusammen, und montieren Sie die Gashebelsperrenhalterung am Gerät.



## So verwenden Sie das Gerät mit einem Bohrstander



**ACHTUNG:** Lesen Sie diesen Abschnitt sorgfältig durch, wenn Sie einen Bohrstander verwenden.

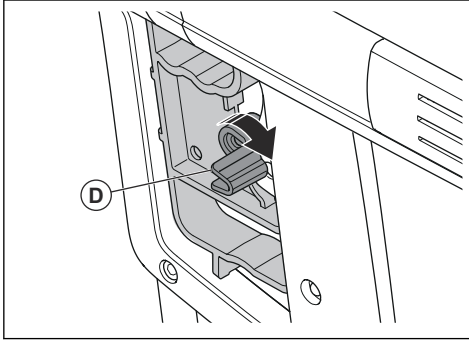


**ACHTUNG:** Lesen Sie die Bedienungsanleitung für den Bohrstander sorgfältig durch.

Um das Gerät an einen Bohrstander anzubauen, schlagen Sie in der Bedienungsanleitung für den Bohrstander nach.

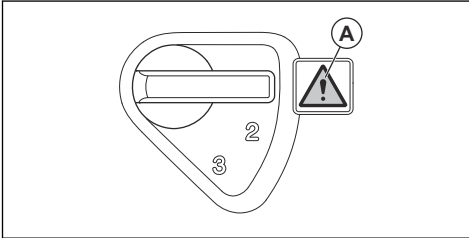
- Entfernen Sie den Zusatzgriff, wenn Sie das Gerät mit einem Bohrstander verwenden.
- Verwenden Sie beim Bohren immer einen Bohrstander, wenn Sie beim Bohren auf einem Gerüst stehen.
- Vergewissern Sie sich, dass der Bohrstander richtig angebracht ist.

4. Drehen Sie den Knopf (D) im Uhrzeigersinn, um den Netzschalter zu drücken und in der Startposition zu halten.



## So verwenden Sie das Gerät handgeführt

Bohren Sie im ersten Gang nicht handgeführt (A).



**WARNUNG:** Bohren Sie im ersten Gang nicht handgeführt. Das Gerät hat ein starkes Drehmoment, das zu Verletzungen führen kann, wenn die Bohrkronen sich nicht mehr frei bewegen kann.

1. Installieren Sie eine Bohrkronen mit einem Durchmesser von nicht mehr als 75 mm. Je größer die Bohrkronen, desto gefährlicher reagiert der Bohrer, wenn er sich nicht mehr frei bewegen kann.
2. Verriegeln Sie den Zusatzgriff, bevor Sie beginnen zu bohren. Siehe *So bringen Sie den Zusatzgriff in eine verwendbare Position auf Seite 85*.
3. Bleiben Sie während des Betriebs in einer stabilen Position mit den Füßen auf dem Boden.



**WARNUNG:** Bohren Sie nicht von einer Leiter aus. Wenn die Bohrkronen plötzlich anhält, kann Sie das starke Drehmoment von der Leiter werfen.

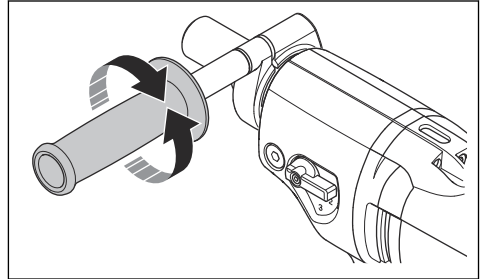
4. Den Gang auf 2 oder 3 schalten. Siehe *So wechseln Sie den Gang auf Seite 87*.



**WARNUNG:** Bohren Sie im ersten Gang nicht handgeführt. Das Gerät hat ein starkes Drehmoment, das zu Verletzungen führen kann, wenn die Bohrkronen sich nicht mehr frei bewegen kann.

## So bringen Sie den Zusatzgriff in eine verwendbare Position

1. Drehen Sie den Zusatzgriff gegen den Uhrzeigersinn, um ihn zu lösen.



2. Bringen Sie den Zusatzgriff um die Spindelwelle in eine geeignete Betriebsposition.
3. Drehen Sie den Zusatzgriff im Uhrzeigersinn, um ihn zu arretieren. Ziehen Sie es vollständig an.

## So bereiten Sie das Gerät für das Trockenbohren vor



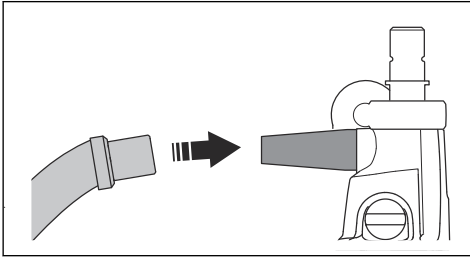
**WARNUNG:** Tragen Sie einen zugelassenen Atemschutz. Atmen Sie den gefährlichen Staub nicht ein.



**WARNUNG:** Verwenden Sie keinen gewöhnlichen Staubsauger. Verwenden Sie nur Staubabsauger, die speziell für gefährlichen Staub hergestellt wurden. Siehe *Empfohlene Staubabsaugerkapazität auf Seite 96* für technische Daten.

1. Bringen Sie den Staubabsaugeradapter (1) am Gerät an.

2. Bringen Sie den Staubabsauger am Staubabsaugeradapter an.



3. Starten Sie den Staubabsauger.

## So bereiten Sie das Gerät für das Nassbohren vor



**ACHTUNG:** Stellen Sie sicher, dass der Wasserdruck nicht zu hoch ist. Siehe *Technische Daten auf Seite 95.*

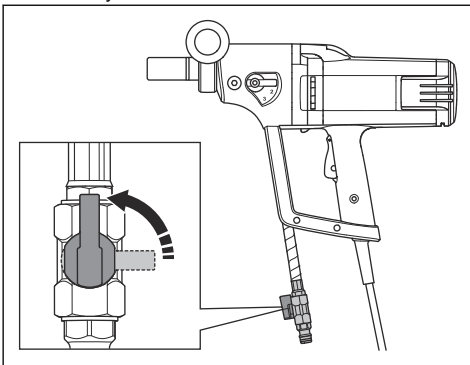


**ACHTUNG:** Verwenden Sie nur sauberes Wasser, um Verstopfungen im Wassersystem zu vermeiden.



**ACHTUNG:** Verwenden Sie nur zugelassene Wasserversorgungsanschlüsse. Ihr Händler steht Ihnen gern für weitere Informationen zur Verfügung.

1. Verbinden Sie den Gardena®-Einsteckaufsatz mit Wasserventil mit dem Wasser-Anschlussteil.
2. Geben Sie den Wasserfluss durch das Wassersystem frei.



3. Stellen Sie den Wasserdruck so ein, dass das gesamte Bohrklein aus dem Bohrloch entfernt wird.

## So bereiten Sie das Gerät auf das Bohren über Kopf vor

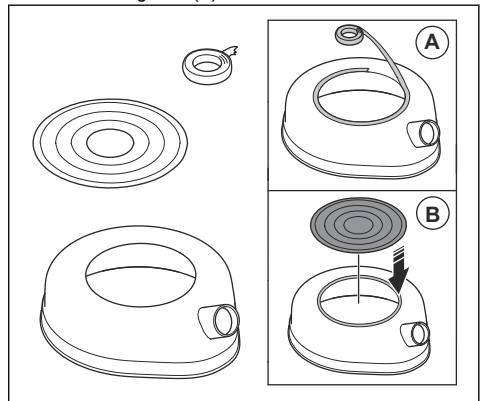


**WARNUNG:** Verwenden Sie beim Bohren über Kopf stets einen Schlammring mit einer Dichtscheibe. Wasser, das in das Gerät eindringt, erhöht das Risiko eines elektrischen Schlags.

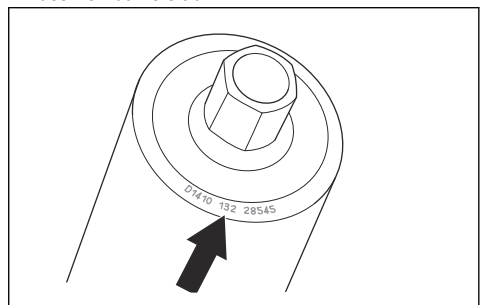


**ACHTUNG:** Verwenden Sie einen Wassersammelring oder einen Nasstaubabsauger, um den Schlamm aufzufangen.

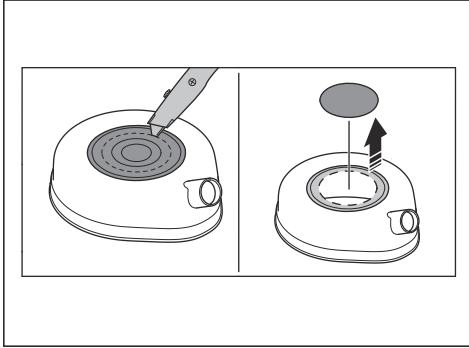
1. Entfernen Sie Schmierfett und Schmutz von der Oberseite des Schlammrings.
2. Bringen Sie doppelseitiges Klebeband an oder tragen Sie Sprühklebstoff an der oberen Öffnung des Schlammrings auf (A).



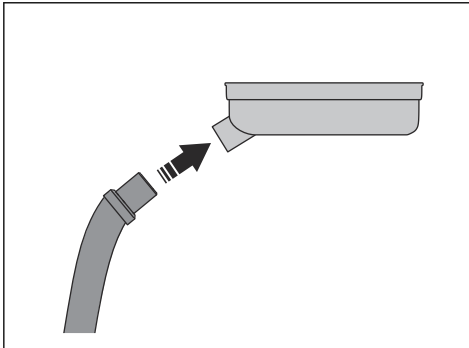
3. Bringen Sie die Dichtscheibe als Abdeckung an der oberen Öffnung an (B). Sorgen Sie für einen festen Sitz.
4. Lesen Sie an der Oberseite des Bohrers das Maß des Kernbohrers ab.



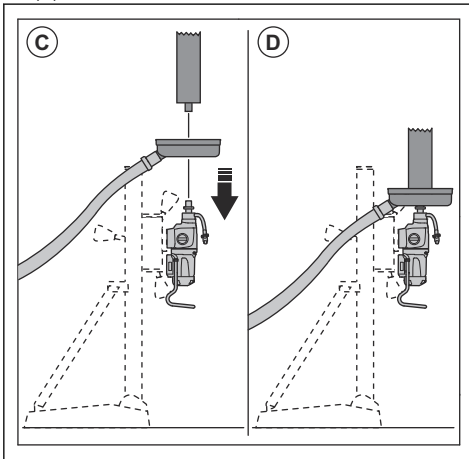
5. Schneiden Sie ein Loch in die Dichtscheibe. Verwenden Sie dabei das nächstkleinere Maß zum Maß des Kernbohrers (0–150 mm).



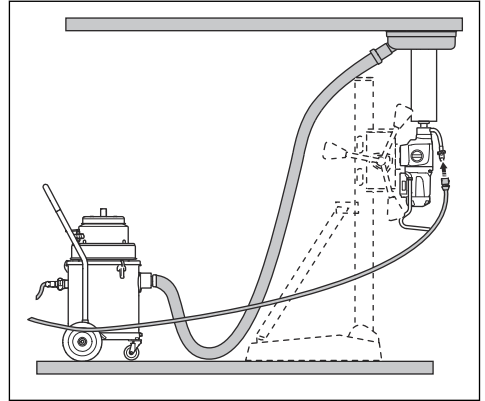
6. Verbinden Sie den Wassersammelring/ Nassstaubabsauger mit dem Anschluss des Schlammrings.



7. Setzen Sie den Schlammring auf die Bohrspindel (C).



8. Montieren Sie die Bohrkronen auf der Bohrspindel (D).  
 9. Starten Sie den Wassersammelring/ Nassstaubabsauger.  
 10. Heben Sie die Bohrkronen nach oben zur Decke. Bringen Sie den Schlammring an der Decke an.



### So senken Sie die Motortemperatur

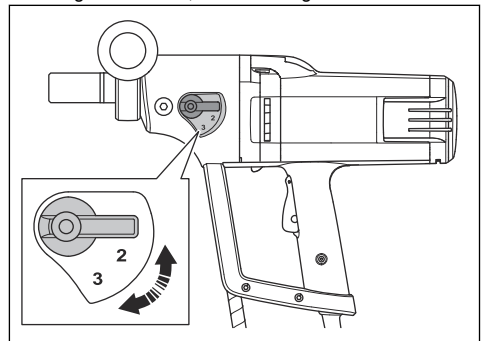
- Lassen Sie das Gerät 2 Minuten lang ohne Last laufen, um die Motortemperatur zu senken.

### So wechseln Sie den Gang



**ACHTUNG:** Wechseln Sie den Gang nur, wenn der Motor langsamer wird oder stoppt. Wechseln Sie den Gang nicht mit Gewalt.

- Nutzen Sie die für den Bohrkronendurchmesser geeignete Drehzahl. Siehe Typenschild des Geräts oder *Technische Daten auf Seite 95*.
- Drehen Sie die Bohrspindel und gleichzeitig den Gangwählschalter, um den Gang zu wechseln.



## So starten Sie das Gerät

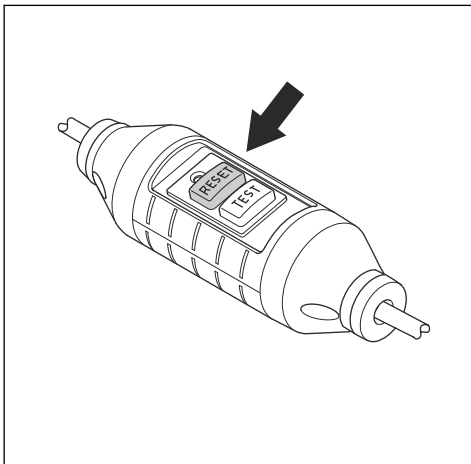


**WARNUNG:** Stellen Sie sicher, dass sich die Bohrkronen frei drehen können. Die Bohrkronen fangen an sich zu drehen, wenn der Motor startet.

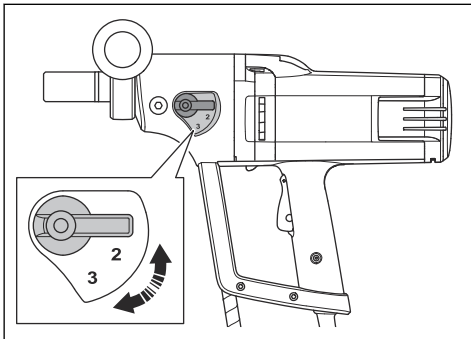


**WARNUNG:** Wenn das Gerät zum ersten Mal am Werktag gestartet wird, überprüfen Sie den PRCD. Siehe *So überprüfen Sie den PRCD-Schalter auf Seite 82*.

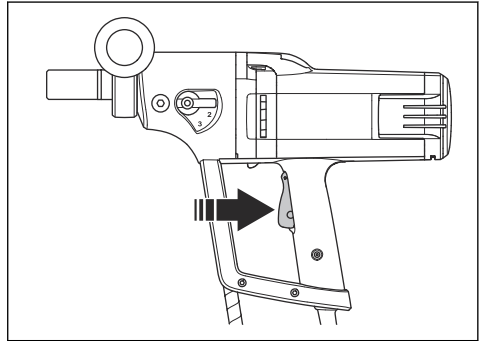
1. Schließen Sie den Netzstecker des Geräts an eine Netzsteckdose an.
2. Drücken Sie die „RESET“-Taste des PRCD-Schalters.



3. Um die Betriebsdrehzahl einzustellen, drehen Sie die Bohrspindel und bewegen gleichzeitig den Gangwählschalter. Stellen Sie den Gangwählschalter in die richtige Position für den Betrieb.



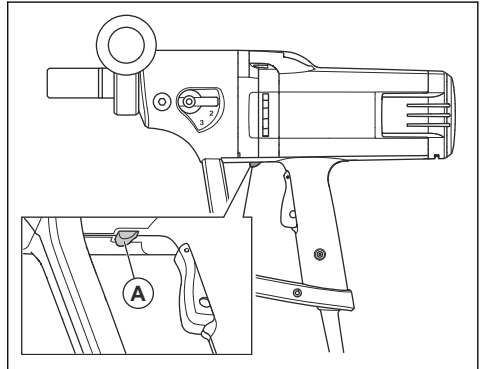
4. Schließen Sie zum Nassbohren das Wassersystem an und öffnen Sie es. Siehe *So bereiten Sie das Gerät für das Nassbohren vor auf Seite 86*.
5. Befestigen Sie zum Trockenbohren den Staubabsauger am Gerät und starten Sie ihn. Siehe *So bereiten Sie das Gerät für das Trockenbohren vor auf Seite 85*.
6. Drücken und halten Sie den Netzschalter.



## So bohren Sie mit der Smartstart™-Funktion an

Die Smartstart™-Funktion verringert die Drehzahl des Motors. Das unterstützt Sie beim Anbohren. Die verringerte Drehzahl der Smartstart™-Funktion ist nur zum Anbohren und nicht für den normalen Betrieb verwendbar.

1. Starten Sie den Motor. Achten Sie darauf, dass die Bohrkronen das Material nicht berührt.
2. Drücken Sie einmal den Smartstart™-Knopf (A). Die Drehzahl nimmt ab, und die Smartstart™-Funktion ist eingeschaltet.



3. Bohren Sie das Material an.

**Hinweis:** Die Smartstart™-Funktion wird automatisch ausgeschaltet, wenn die Drehzahl steigt.



- Um die Smartstart™-Funktion manuell zu beenden, drücken Sie die Smartstart™-Funktionstaste erneut.

## So bedienen Sie das Gerät



**WARNUNG:** Wenn der PRCD-Schalter ausgelöst wird, entfernen Sie das Bohrbit aus dem Bohrloch, bevor Sie „RESET“ drücken.



**WARNUNG:** Gefährliche Unfälle können passieren, wenn der Betonbohrkern im Bohrbit verbleibt, während Sie das Bohrbit aus dem Bohrloch entfernen.



**ACHTUNG:** Stellen Sie sicher, dass keine Gegenstände auf das Bohrbit treffen.



**ACHTUNG:** Üben Sie nicht mehr Druck als notwendig aus. Dadurch wird der Betrieb nur langsamer, und der Motor wird überlastet.

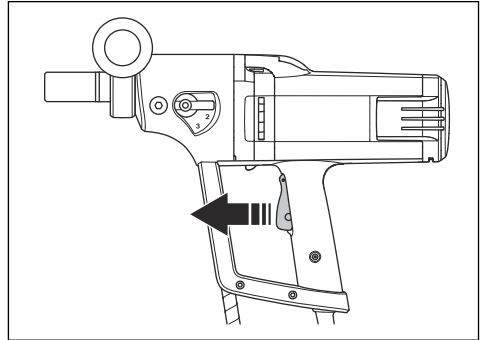
- Starten Sie den Motor. Siehe *So starten Sie das Gerät auf Seite 88*.
- Warten Sie, bis die maximale Motordrehzahl erreicht ist, bevor Sie das Bohrbit die Oberfläche berühren lassen.
- Wenn Sie einen Bohrständer verwenden, drücken Sie das Bohrbit mit dem Vorschubhebel in die Oberfläche.
- Wenn Sie durch Eisenarmierungen bohren, drücken Sie am Anfang fester auf und benutzen Sie einen niedrigeren Gang als bei Beton ohne Eisenarmierungen.
- Üben Sie zunächst sehr wenig Druck aus. Dadurch bleibt das Bohrbit in der richtigen Stellung.
- Stellen Sie beim Nassbohren sicher, dass das Wasser das gesamte Bohrklein aus dem Bohrloch spült. Stellen Sie den Wasserdruck nach, falls dies erforderlich ist.
- Stellen Sie beim Trockenbohren sicher, dass der Staubabsauger sämtlichen Staub aufnimmt.
- Stoppen Sie den Motor. Siehe *So stoppen Sie das Gerät auf Seite 89*.

## So stoppen Sie das Gerät



**WARNUNG:** Nach dem Stoppen des Motors dreht sich die Bohrkronen noch eine Zeit lang weiter. Stoppen Sie die Bohrkronen nicht mit den Händen. Dies könnte zu Verletzungen führen.

- Lassen Sie den Netzschalter los, um das Gerät zu stoppen.



- Warten Sie, bis die Bohrkronen vollständig zum Stillstand gekommen ist.
- Trennen Sie den Netzstecker des Geräts.

## So setzen Sie den Motorüberlastschutz zurück

- Stoppen Sie das Gerät. Siehe *So stoppen Sie das Gerät auf Seite 89*.
- Entfernen Sie die Verstopfung aus dem Bohrbit.
- Starten Sie das Gerät. Siehe *So starten Sie das Gerät auf Seite 88*.

## So ersetzen Sie das Bohrbit



**WARNUNG:** Ziehen Sie den Stecker aus der Steckdose, bevor Sie das Bohrbit ersetzen.



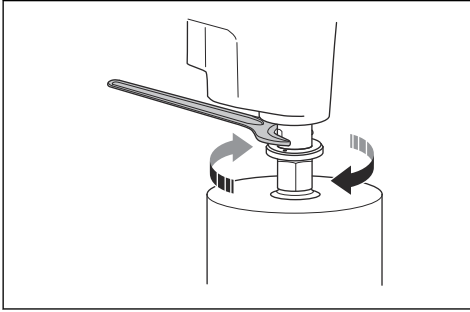
**WARNUNG:** Tragen Sie stets Schutzhandschuhe. Lassen Sie das Gerät abkühlen, bevor Sie das Bohrbit entfernen. Das Bohrbit und seine Umgebung sind nach dem Betrieb sehr heiß.



**WARNUNG:** Verwenden Sie nur für Ihr Gerät genehmigte Diamantbohrbits. Ihr Husqvarna-Händler steht Ihnen gern für weitere Informationen zur Verfügung.

- Stellen Sie sicher, dass Sie ein neues Bohrbit, den mitgelieferten Schraubenschlüssel und wasserfestes Schmierfett zur Hand haben.
- Verriegeln Sie die Spindelachse mit dem Schraubenschlüssel.

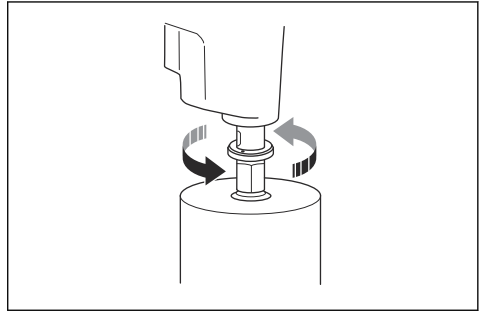
3. Drehen Sie das Bohrbit zum Entfernen im Uhrzeigersinn.



**ACHTUNG:** Schlagen Sie nicht gegen das Gerät, um das Bohrbit zu entfernen. Es besteht die Gefahr, dass

Getriebe und Bohrständer beschädigt werden.

4. Schmieren Sie das Gewinde der Spindelwelle mit wasserfestem Schmierfett.  
5. Drehen Sie das Bohrbit zum Installieren gegen den Uhrzeigersinn. Ziehen Sie es vollständig an.



## Wartung

### Einleitung



**WARNUNG:** Lesen Sie vor dem Warten des Geräts das Kapitel über Sicherheit, und machen Sie sich damit vertraut.




**WARNUNG:** Um Verletzungen zu vermeiden, trennen Sie das Netzkabel ab, bevor Sie Wartungsarbeiten durchführen.

### Wartungsplan

\* = Allgemeine Wartung durch den Bediener. Diese Anweisungen sind nicht in dieser Betriebsanleitung enthalten.

X = Diese Anweisungen sind in dieser Betriebsanleitung enthalten.

O = Bitte eine Husqvarna-Servicewerkstatt kontaktieren.

Wartung	Vor jedem Gebrauch	Nach jedem Gebrauch	Täglich	Nach den ersten 100 Betriebsstunden	Alle 300 Betriebsstunden
Sicherstellen, dass bewegliche Teile korrekt funktionieren und nicht klemmen.	*				
Sicherstellen, dass das Schneidwerkzeug scharf und sauber ist.	*				
Sicherstellen, dass der PRCD-Schalter ordnungsgemäß funktioniert.					
 <b>WARNUNG:</b> Gilt nicht für den in England und Irland erhältlichen 100-120-V-Typ. Siehe <i>PRCD auf Seite 82</i> .	X				
Stromkabel, andere Kabel und den Netzstecker auf Schäden prüfen.	*	*			

Wartung	Vor jedem Gebrauch	Nach jedem Gebrauch	Taglich	Nach den ersten 100 Betriebsstunden	Alle 300 Betriebsstunden
Sicherstellen, dass Griffe und Griffflachen trocken, sauber und frei von Ol und Schmierfett sind.	*	*			
Sicherstellen, dass das Gerat sauber ist.	X	X			
Dichtungen der Welle auf Schaden/Wasserleckagen prufen.		X			
Sicherstellen, dass alle Muttern und Schrauben fest angezogen sind.			*		
Sicherstellen, dass der Netzschalter ordnungsgema funktioniert.			X		
Getriebeol wechseln.				O	
Kohlebursten auf Schaden prufen.					X

## So reinigen Sie das Gerat



**ACHTUNG:** Stellen Sie sicher, dass kein Wasser in den Motor oder das Getriebe eindringt.



**ACHTUNG:** Verwenden Sie zur Reinigung des Gerats kein laufendes Wasser.

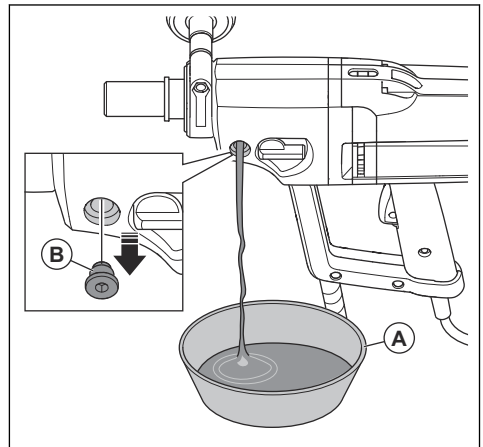
- Reinigen Sie das Gerat mit einem trockenen oder feuchten Tuch.
- Entfernen Sie Verstopfungen aus den Luftoffnungen. Ein verstopfter Lufterlass reduziert die Leistung des Gerats und kann dazu fuhren, dass der Motor zu hei wird.
- Reinigen und schmieren Sie das Gewinde der Spindelwelle.

## So warten Sie das Diamantbohrbit

- Stellen Sie sicher, dass die Diamantsegmente des Werkzeugs scharf sind. Scharfen Sie stumpfe Diamantsegmente mit einem SiC-Schleifstein.
- Achten Sie darauf, dass es im Bohrbit nicht zu Vibrationen kommt. Wenn das Bohrbit vibriert, konnen sich die Diamantsegmente losen.
- Stellen Sie sicher, dass die Diamantsegmente ausreichend groer als der Innen- und Auendurchmesser der Bohrbitrohre sind.
- Schmieren Sie das Gewinde des Bohrbits mit wasserabweisendem Schmierfett. Dadurch konnen Sie das Werkzeug einfacher losen.
- Stellen Sie sicher, dass der Rundlauf bei den Diamantsegmenten des Bohrbits nicht mehr als 1 mm betragt.

## So wechseln Sie das Getriebeol

1. Stellen Sie einen Behalter (A) unter die Getriebeolschraube.



2. Entfernen Sie die Getriebeolschraube (B).
3. Lassen Sie das Getriebeol in den Behalter ab.
4. Lassen Sie das Getriebe ggf. von einem autorisierten Husqvarna-Service Center reinigen.
5. Fullen Sie das Getriebegehause mit neuem Getriebeol. Siehe *Technische Daten auf Seite 95*.
6. Reinigen Sie die Getriebeolschraube und installieren Sie sie.

## So überprüfen Sie den Wasseranschluss

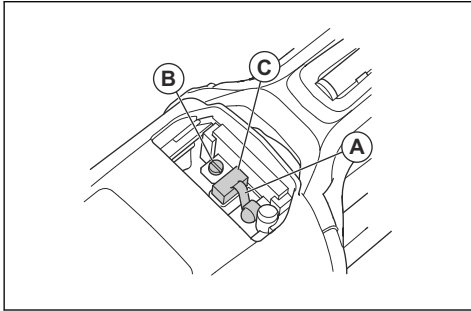


**ACHTUNG:** Wenn der Verbindungsring undicht ist und Wasser ausläuft, müssen die Wellendichtungen umgehend ersetzt werden.

- Lassen Sie die Reparatur des Wasseranschlusses von einem autorisierten Husqvarna-Service Center durchführen.

## So überprüfen Sie die Kohlebürsten

1. Entfernen Sie die 3 Schrauben und dann die Inspektionsklappe.
2. Heben Sie die Bürstenhalterfeder zur Seite (A).



3. Lösen Sie die Schraube (B).
4. Ziehen Sie den Kohlebürsten-Steckverbinder ab.
5. Ziehen Sie die Kohlebürste (C) aus dem Halter.
6. Reinigen Sie die Kohlebürstenhalter mit einem trockenen Pinsel oder Druckluft. Ersetzen Sie die Kohlebürste, wenn sie verschlissen ist.
7. Installieren Sie die neue Kohlebürste. Stellen Sie sicher, dass sich die Kohlebürste leicht in den Bürstenhaltern bewegen kann.
8. Heben Sie die Bürstenhalterfeder in die richtige Position.
9. Installieren Sie den Kohlebürstenanschluss und ziehen Sie die Schraube fest.
10. Führen Sie das gleiche Verfahren mit der Kohlebürste auf der gegenüberliegenden Seite des Geräts durch.
11. Installieren Sie die Inspektionsklappe, und ziehen Sie die 3 Schrauben fest. Starten Sie das Gerät und lassen Sie es zehn Minuten im Leerlauf laufen.

## Fehlerbehebung

### Fehlerbehebungszeitplan

Wenn Sie in dieser Bedienungsanleitung keine Lösung für Ihre Probleme finden können, wenden Sie sich an Ihre Husqvarna-Servicewerkstatt.

Problem	Schritte, die sofort ausgeführt werden können	Mögliche Ursache	Lösung
Das Gerät startet nicht, wenn der Netzschalter gedrückt wird.	Netzschalter loslassen.	Wenn am PRCD-Schalter ein rotes Licht leuchtet, ist die Verbindung zum Stromnetz unterbrochen.	Drücken Sie die „RESET“-Taste des PRCD-Schalters.  Wenn der PRCD-Schalter die Stromverbindung erneut trennt, ein autorisiertes Husqvarna-Service Center kontaktieren.

Problem	Schritte, die sofort ausgeführt werden können	Mögliche Ursache	Lösung
Das Gerät schaltet sich ab.	Netzschalter loslassen.	Es liegt ein Fehler an der Stromquelle vor. Die Elgard™-Funktion hat die Stromverbindung unterbrochen.	Die Stromquelle kontrollieren.
		Das Bohrbit ist blockiert. Die Elgard™-Funktion hat die Stromverbindung unterbrochen.	Das Bohrbit mit einem Schraubenschlüssel nach rechts und links drehen. Das Gerät vorsichtig aus dem Bohrloch ziehen.
		Zu hohe Last verursacht eine Motorüberlastung. Die Elgard™-Funktion hat die Stromverbindung unterbrochen.	Sicherstellen, dass das Bohrbit im Bohrloch leicht gedreht werden kann.
		Wenn am PRCD-Schalter ein rotes Licht leuchtet, ist die Verbindung zum Stromnetz unterbrochen.	Drücken Sie die „RESET“-Taste des PRCD-Schalters.  Wenn der PRCD-Schalter die Stromverbindung erneut trennt, ein autorisiertes Husqvarna-Service Center kontaktieren.
Das Gerät dringt nicht weiter in die Oberfläche ein, wird langsamer und hält an.	Netzschalter loslassen.	Die Diamantsegmente sind stumpf.	Die Diamantsegmente mit einem SiC-Schleifstein schärfen.
Unerwünschtes Material sammelt sich während des Betriebs um die Bohrung herum an.		Der Wasserdruck ist zu niedrig.	Den Wasserdruck erhöhen. Siehe <i>Technische Daten auf Seite 95</i> .
Die Diamantsegmente am Bohrbit haben sich aus ihrer Befestigung gelöst.		Das Gerät vibriert beim Betrieb stark.	Das Gerät mit der richtigen Last betreiben.
Getriebeöl tritt aus.		Die Dichtungen sind verschlissen und müssen ersetzt werden.	Ein autorisiertes Husqvarna-Service Center kontaktieren.
Wasser tritt aus dem Loch am Wasseranschlussring aus.		Die Wellendichtungen sind defekt.	Ein autorisiertes Husqvarna-Service Center kontaktieren. Stets sauberes Wasser verwenden.
Das Gerät läuft unrund.		Den Druck verringern.	Zu hohe Last verursacht eine Motorüberlastung.

## Transport und Lagerung

- Ziehen Sie den Stecker von der Netzsteckdose ab, bevor Sie das Gerät transportieren oder einlagern.
  - Entfernen Sie das Bohrbit vor dem Transportieren oder Einlagern des Geräts. Dadurch können
- Schäden am Gerät und an den Bohrbits vermieden werden.
  - Bewahren Sie das Gerät in einem verschlossenen Bereich auf, um einen unerlaubten Zugriff durch

Kinder oder andere nicht befugte Personen zu verhindern.

- Bewahren Sie das Gerät in einem trockenen und frostfreien Raum auf.
- Sichern Sie das Gerät während des Transports ab, um Schäden und Unfälle zu vermeiden.

# Technische Daten

## Technische Daten

<b>Motor</b>			
Elektromotor	Einphasig		
Nennspannung, V	100-120 oder 220-240		
Nennfrequenz, Hz	50/60		
<b>Nennstrom, A</b>			
100-120 V (US)	15		
100-120 V (UK, Irland)	16		
220-240 V	8		
<b>PRCD-Stromstärke, mA</b>			
100-120 V (US)	6		
220-240 V	10		
<b>Bohrkrone</b>			
Max. Bohrkronendurchmesser, mit Ständer, mm/Zoll	150/6		
Max. Bohrkronendurchmesser, handgeführt, mm/Zoll	75/3		
<b>Gewicht, kg</b>	7/15,4		
<b>Wasserkühlung</b>			
Wasseranschluss	Gardena®		
Maximaler Wasserdruck, bar	3		
<b>Werkzeuganschluss</b>			
Spindelgewinde	1 1/4", G 1/2"		
<b>Getriebeöl</b>	Mobil Lube 1 SHC 75W90 oder vergleichbare Qualität.		
<b>Betriebsdaten</b>			
Getriebe	1	2	3
Bohrkronendrehzahl mit Last, U/min	580	1400	2900
Bohrkronendrehzahl ohne Last, U/min	730	1700	3600
Empfohlener Bohrkronendurchmesser, mm/Zoll	100-150/4-6 <sup>13</sup>	40-80/2-4	0-40/0-2

<sup>13</sup> Es wird nicht empfohlen, den ersten Gang für handgeführte Bohrarbeiten zu verwenden.

## Schallpegel

<b>Geräuschemissionen</b> <sup>14</sup>	
Schalleistungspegel $L_W$ (dB(A))	114
<b>Schallpegel</b> <sup>15</sup>	
Schalldruckpegel am Ohr des Bedieners, $L_p$ , dB (A)	98
<b>Vibrationspegel beim Bohren in Beton, <math>a_{h,DD}</math></b> <sup>16</sup>	
Vorderer Handgriff, $m/s^2$	2,8
Hinterer Handgriff, $m/s^2$	2,6

---

## Zubehör

---

Ihre Servicewerkstatt steht Ihnen gern für weitere Informationen zu dem Zubehör zur Verfügung.

Bohrständer DS 150.
Schlammring.
Dichtscheibe.

## Empfohlene Staubabsaugerkapazität

Technische Daten für Staubabsauger beschreiben nicht abschließend die tatsächliche Leistung im

Zeitverlauf zwischen verschiedenen Staubabsaugern. Für Husqvarna-Geräte stehen objektive Daten unter [www.husqvarnacp.com](http://www.husqvarnacp.com) zur Verfügung.

Min. Luftstrom, $m^3/h/CFM$	400/236
Min. Vakuum, kPa/psi	22/3,6
Min. Wasserhub, m/Zoll	2,3/90
Staubabsauger-Ausrüstung, mm/Zoll	50/2

---

## Service

---

### Anerkanntes Service-Zentrum

Um ein anerkanntes Husqvarna Construction Products-Service-Zentrum in Ihrer Nähe zu finden, besuchen Sie die Website [www.husqvarnacp.com](http://www.husqvarnacp.com).

<sup>14</sup> Umweltbelastende Geräuschemissionen gemessen als Schalleistung gemäß EN 62841-2-1. Erwartete Messunsicherheit 2,5 dB (A).

<sup>15</sup> Schalldruckpegel gemäß EN 62841-2-1. Erwartete Messunsicherheit 1 dB (A).

<sup>16</sup> Vibrationspegel gemäß EN 62841-2-1. Berichten zufolge liegt der Vibrationspegel normalerweise bei einer Ausbreitungsklasse (Standardabweichung) von 1,5  $m/s^2$ . Die Vibrationswerte gelten für den manuellen Betrieb.



---

# Konformitätserklärung

---

## EU-Konformitätserklärung

Die **Husqvarna AB**, SE-561 82 Huskvarna, Schweden,  
Tel.: +46-36-146500, erklärt in alleiniger Verantwortung,  
dass das Gerät:

<b>Beschreibung</b>	<b>Transportabler Diamantkernbohrer</b>
<b>Marke</b>	Husqvarna
<b>Typ/Modell</b>	DM 230
<b>Identifizierung</b>	Seriennummern ab 2022

die folgenden EU-Richtlinien und -Verordnungen erfüllt:

<b>Richtlinie/Verordnung</b>	<b>Beschreibung</b>
2006/42/EC	„Maschinenrichtlinie“
2014/30/EU	„EMV-Richtlinie“
2014/35/EU	„zu Funkanlagen“
2011/65/EU	„zur Beschränkung der Verwendung bestimmter gefährlicher Stoffe“

und dass die folgenden harmonisierten Normen und/  
oder technischen Daten angewendet werden;

EN ISO 12100:2010

EN 62841-2-1:2018

EN 55014-1:2017

EN 55014-2:2015

EN 61000-3-2:2014

EN 61000-3-3:2013

EN IEC 63000:2018

Partille, 2022-03-11



Erik Silfverberg

Leiter F&E-Abteilung, Ausrüstung zum Sägen und  
Bohren von Beton

Husqvarna AB, Construction Division

Verantwortlich für die technische Dokumentation

---

## Eingetragene Marken

---

Die *Bluetooth*<sup>®</sup>-Wortmarke und die Logos sind eingetragene Marken von *Bluetooth SIG, inc.* und die Verwendung dieser Marken durch Husqvarna erfolgt unter Lizenz.





FR

Cet appareil,  
ses cordons,  
et batterie  
se recyclent

À DÉPOSER  
EN MAGASIN



OU

À DÉPOSER  
EN DÉCHÈTERIE



Points de collecte sur [www.quefairedemesdechets.fr](http://www.quefairedemesdechets.fr)  
Privilégiez la réparation ou le don de votre appareil !

# Husqvarna®

[www.husqvarnaconstruction.com](http://www.husqvarnaconstruction.com)

Original instructions  
Instructions d'origine  
Originele instructies  
Originalanweisungen

1142986-20

Rev. B



FR



2024-03-15