

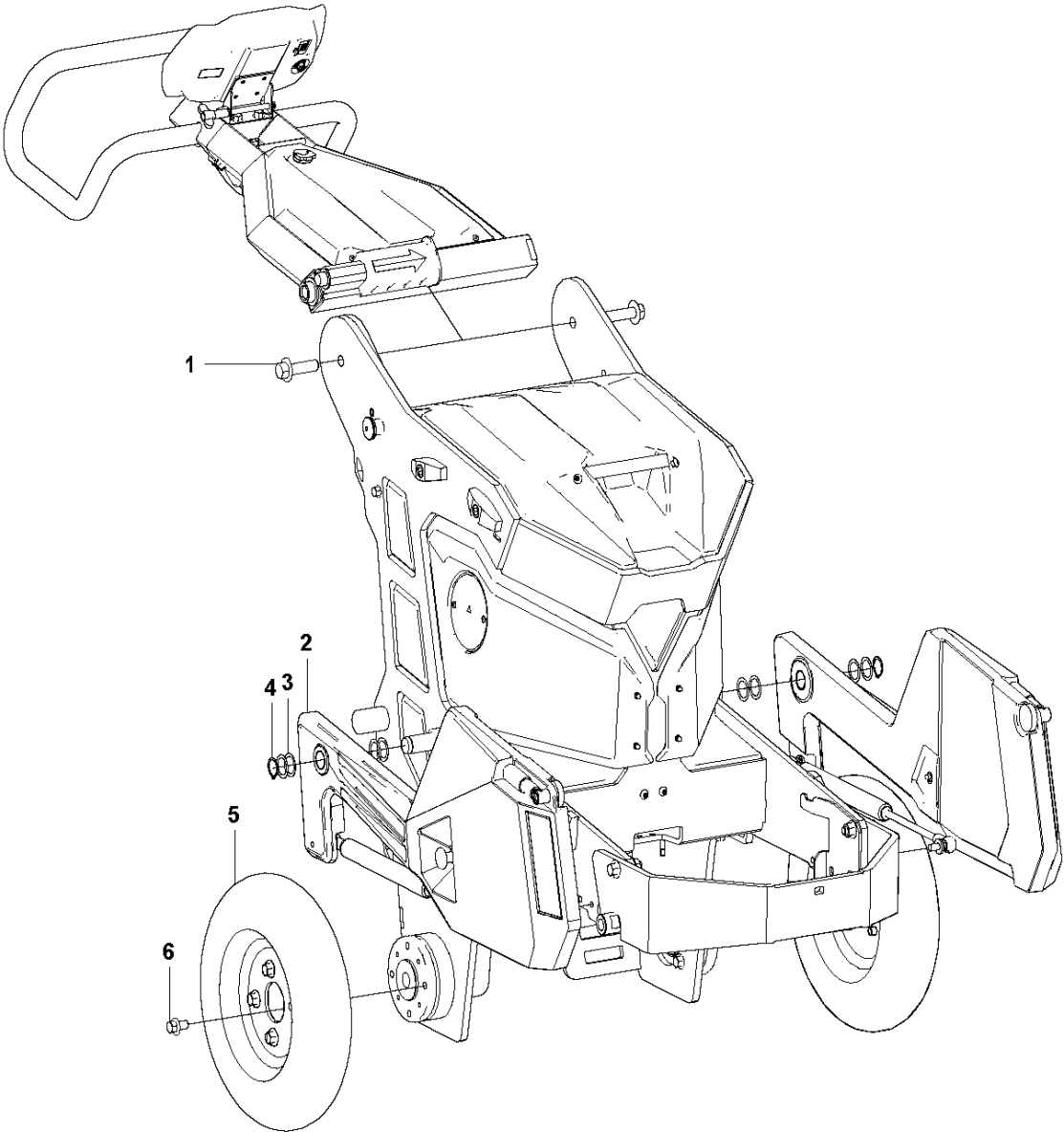


SPARE PARTS LIST

SURFACE PREPARATION EQUIPMENT

HTC X6/RX6, 967839209, 967839311,
967839312, 2021-01

A DURATIQ X6
WEIGHT KIT & WHEEL

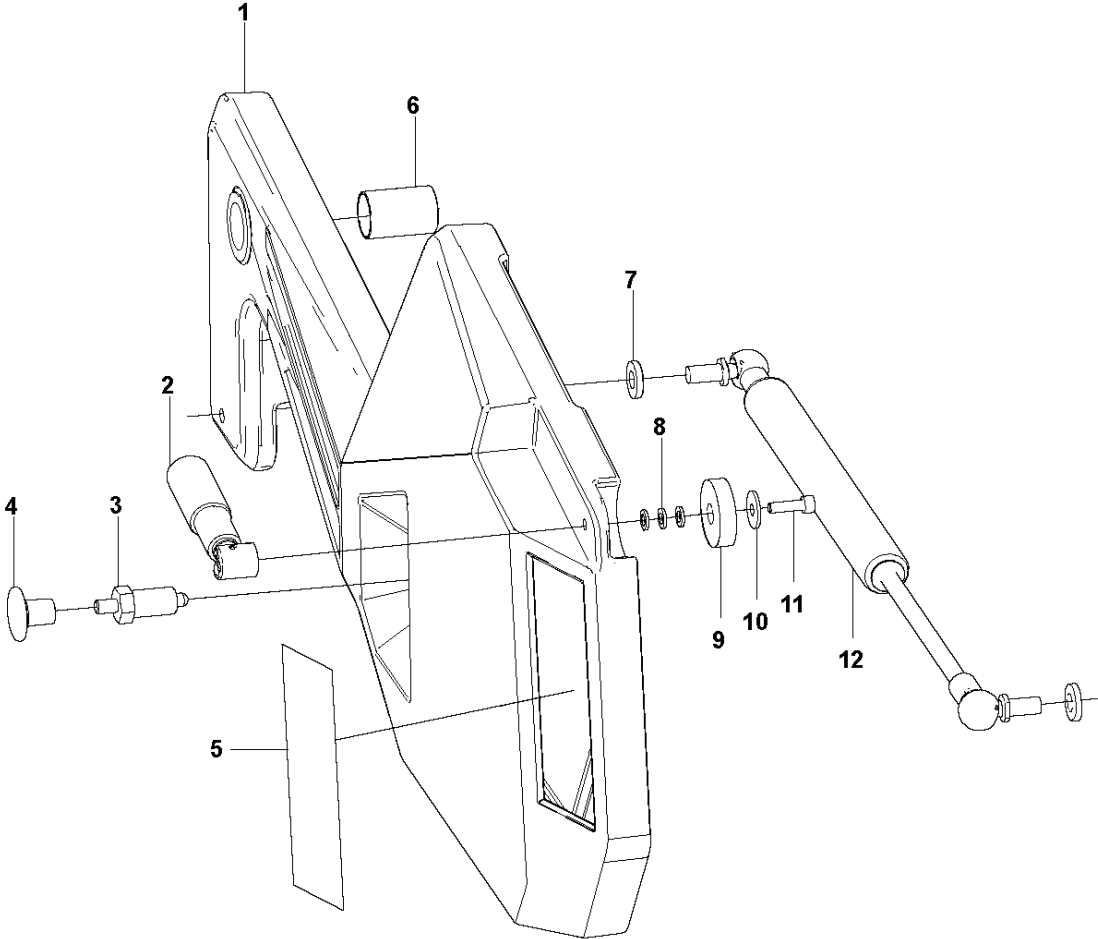


WEIGHT KIT & WHEEL

HTC X6/RX6, 967839209, 967839311, 967839312, 2021-01

Ref	Part No	Description	Remark	QTY KIT
1	595 68 12-01	SCREW	SCREW M16X55	2
2	595 71 02-02	WEIGHT KIT	WEIGHT KIT RIGHT - 6	1
2	595 71 01-02	WEIGHT KIT	WEIGHT KIT LEFT - 6	1
3	595 68 08-01	SHIM	SHIM RING 25X35X0.3	8
4	593 49 68-01	CIRCLIP	CIRCLIP SGA 25X1.2	2
5	593 48 93-01	WHEEL	WHEEL Ø360X85	2
6	595 68 13-01	SCREW	SCREW M12X20	8

B DURATIQ X6
WEIGHT ASSY

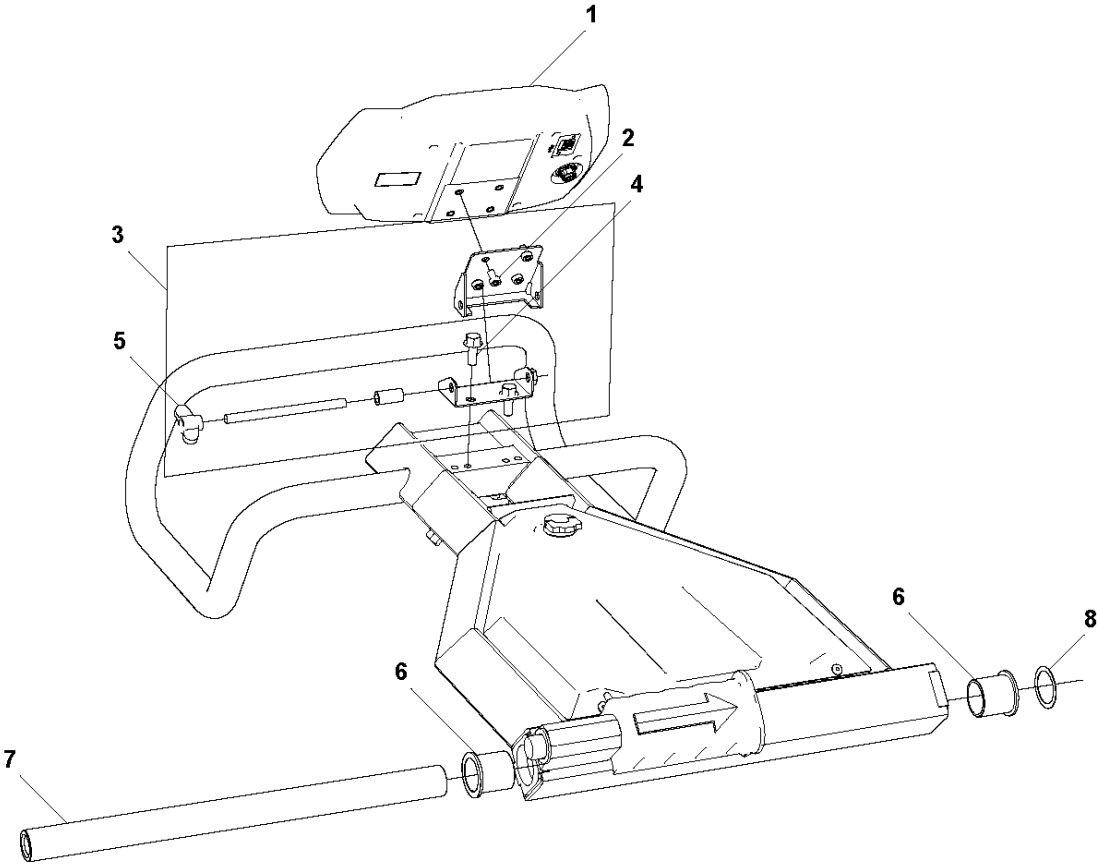


WEIGHT ASSY

HTC X6/RX6, 967839209, 967839311, 967839312, 2021-01

Ref	Part No	Description	Remark	QTY KIT
1	595 75 69-02	WEIGHT	WEIGHT ARM RIGHT - 6	1
1	595 75 67-02	WEIGHT	WEIGHT ARM LEFT - 6	1
2	593 48 68-01	HANDLE	HANDLE AUTO. FOLDING	1
3	593 48 66-01	PISTON	INDEX PLUNGER M16X8	1
4	593 48 67-01	KNOB	KNOB M8	1
5	595 66 05-01	DECAL	WEIGHT DECAL RIGHT	1
5	595 66 06-01	DECAL	WEIGHT DECAL LEFT	1
6	593 41 72-01	BUSHING	BUSHING Ø25X40	2
7	593 49 57-01	WASHER	WASHER M10	3
8	593 49 60-01	WASHER	WASHER M6	1
9	593 54 39-01	WHEEL	IMPACT PAD WHEEL	1
10	593 50 93-01	WASHER	WASHER M6	1
11	593 51 34-01	SCREW	SCREW M6X20	1
12	593 48 17-01	SPRING	GAS TRACTION SPRING	1

C DURATIQ X6
CONTROL PANEL



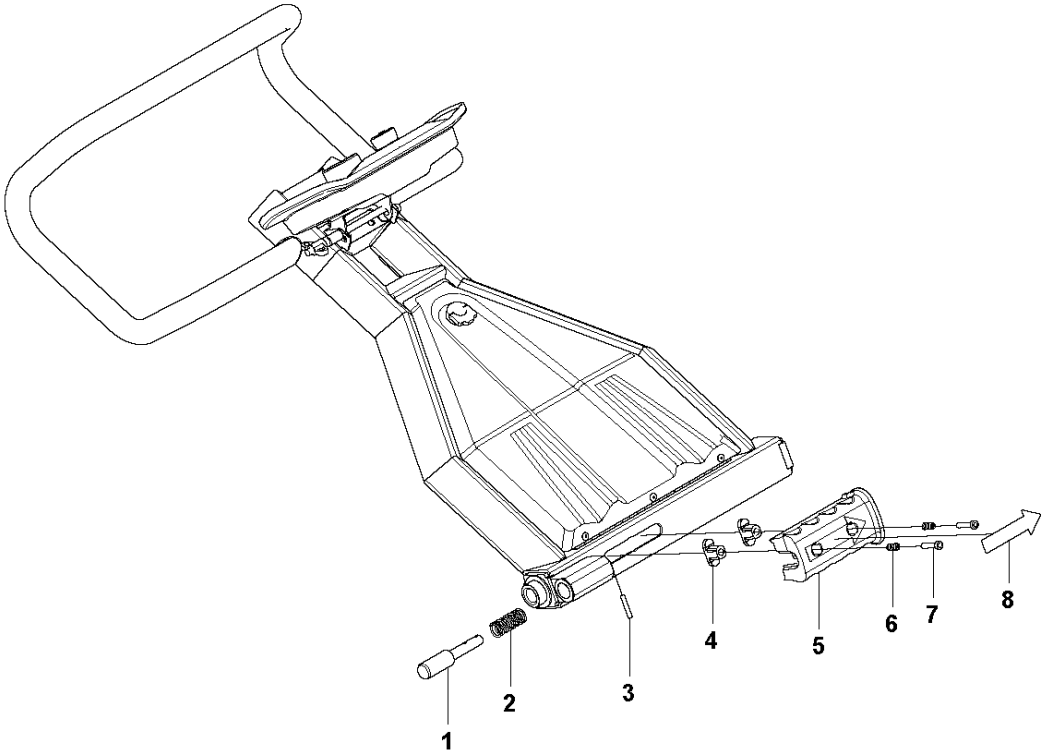
CONTROL PANEL

HTC X6/RX6, 967839209, 967839311, 967839312, 2021-01

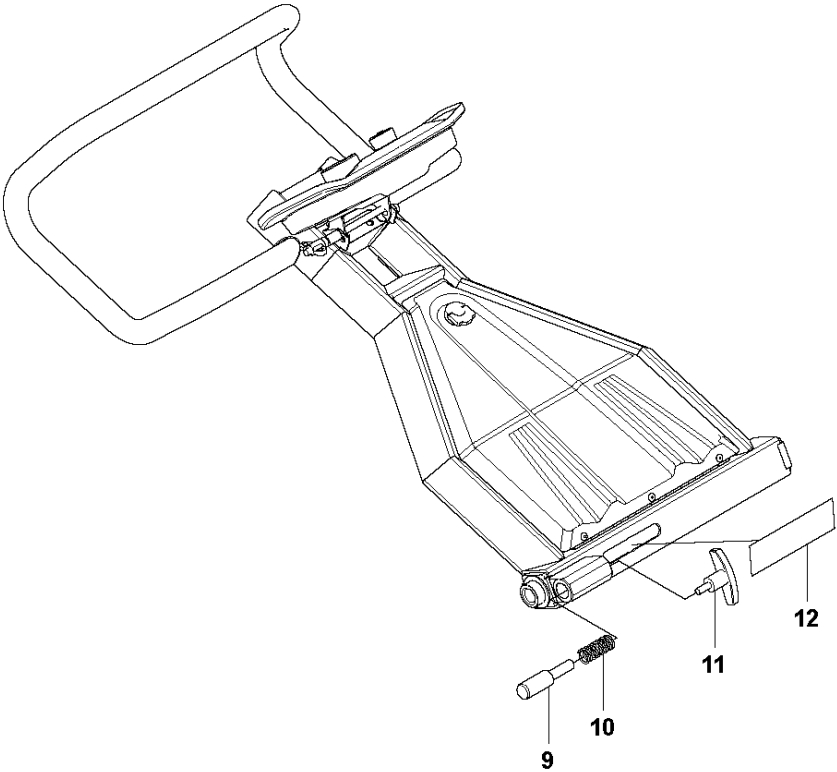
Ref	Part No	Description	Remark	QTY KIT
1	593 54 92-01	CONTROL PANEL	CONTROL PANEL	1
1	595 77 18-01	CABLE	CABLE CONTROL PANEL	1
2	595 67 30-01	SCREW	SCREW M6X10	4
3	597 25 50-01	CONTROL PANEL	CONTROL PANEL BRACKET KIT - Pos 2 & 4 are not included	1
4	593 51 35-01	SCREW	SCREW M8X20	2
5	593 48 63-01	KNOB	WING KNOB M8	1
6	593 48 62-01	BEARING	FLANGED BEARING 30X42X35	2
7	595 70 93-01	HANDLE	HANDLE SHAFT	1
8	595 66 20-01	SPRING	WAVE SPRING WASHER Ø30.5	1

D DURATIQ X6
PULL HANDLE ASSY

V.1



V.2

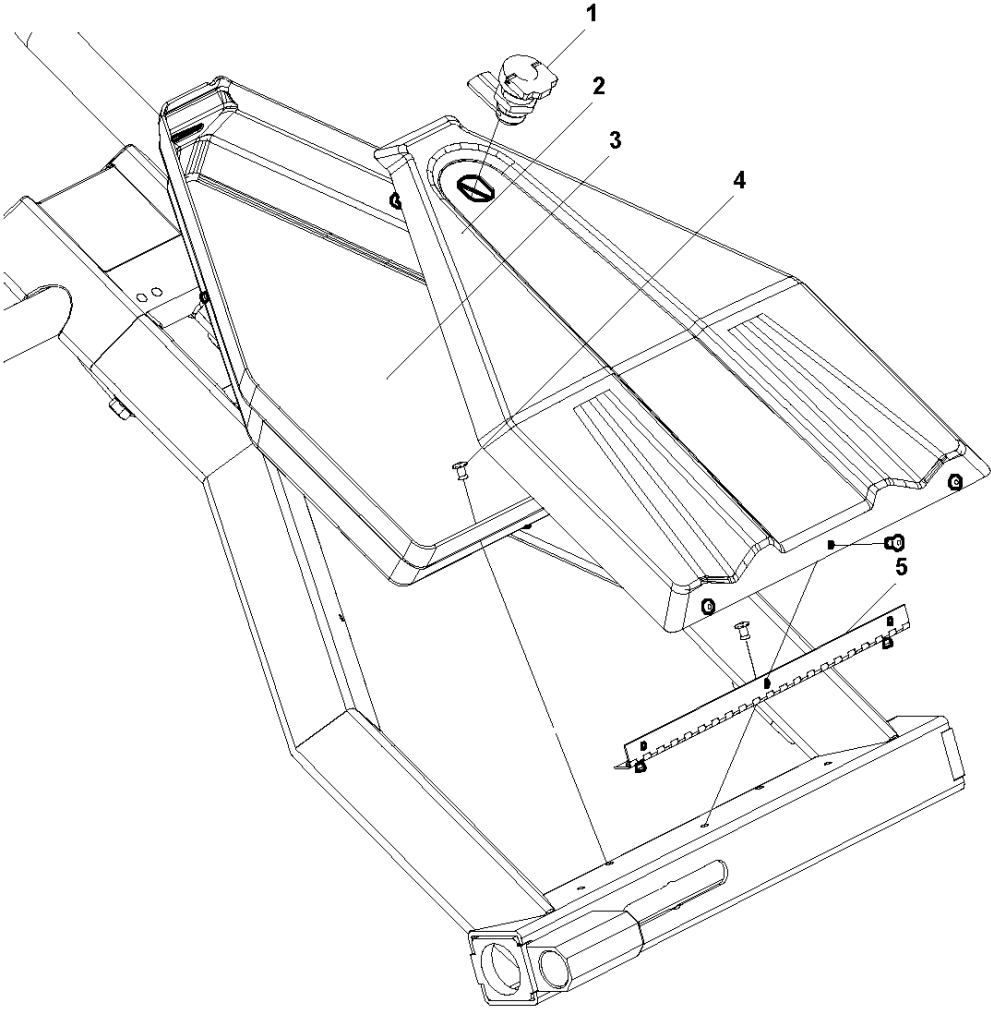


PULL HANDLE ASSY

HTC X6/RX6, 967839209, 967839311, 967839312, 2021-01

Ref	Part No	Description	Remark	QTY KIT
1	593 58 36-01	PIN	HANDLE PIN	1
2	593 48 57-01	SPRING	SPRING 1.5X12X35	1
3	593 49 35-01	SPRING PIN	SPRING PIN 5X30	1
4	593 54 27-01	GUIDE	PULL HANDLE GUIDE	2
5	593 54 26-01	HANDLE	PULL HANDLE	1
6	593 48 56-01	SPRING	SPRING 1.2X6X15	2
7	593 51 43-01	SCREW	SCREW M6X30	2
8	593 54 49-01	DECAL	DECAL PULL HANDLE	1
9	598 87 56-01	PIN		1
10	593 48 57-01	SPRING		1
11	598 87 57-01	HANDLE		1
12	595 66 05-01	DECAL		1

E DURATIQ X6
PLASTICS

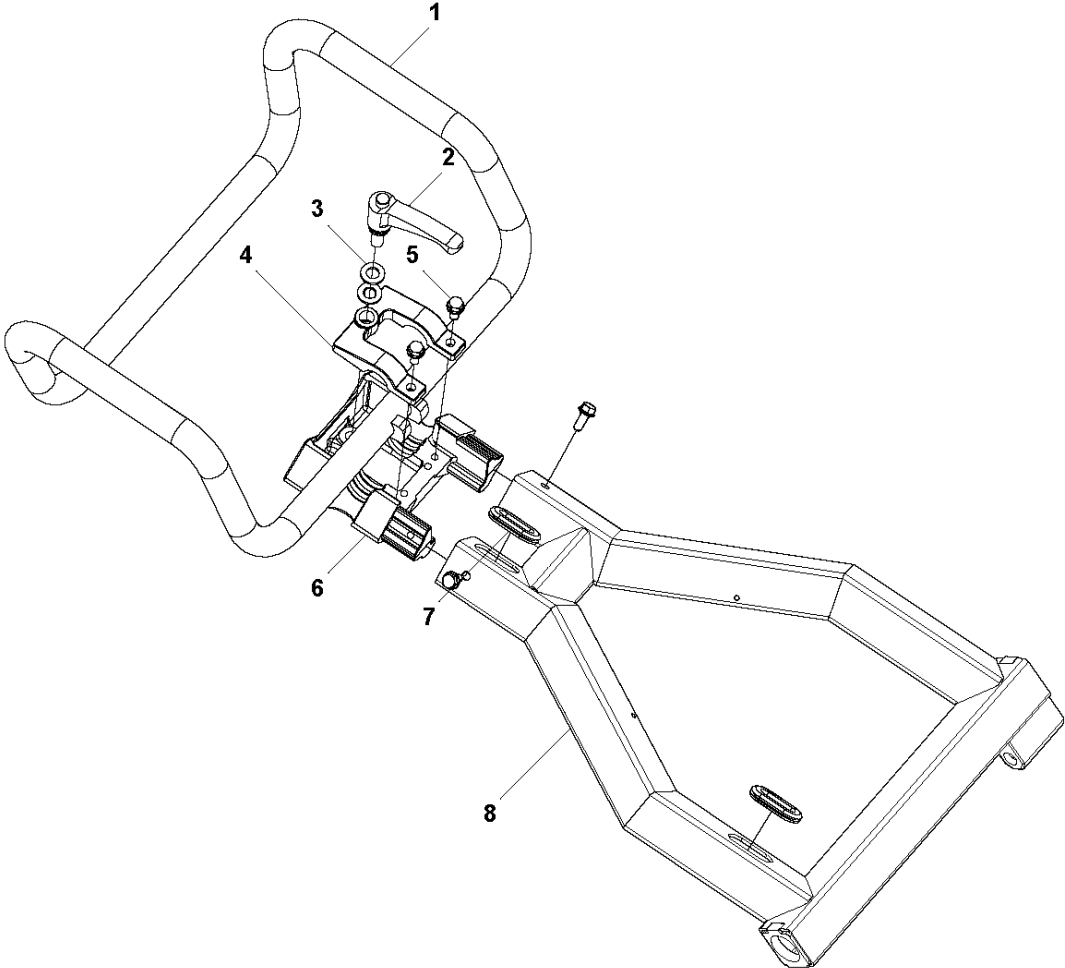


PLASTICS

HTC X6/RX6, 967839209, 967839311, 967839312, 2021-01

Ref	Part No	Description	Remark	QTY KIT
1	595 66 04-01	GLOVE	GLOVE COVER LOCK	1
2	529 51 93-01	COVER	GLOVE COVER UPPER	1
3	529 51 95-01	COVER	GLOVE COVER LOWER	1
4	593 51 46-01	RIVET	POP RIVET 4.8	10
5	595 71 27-01	GLOVE	GLOVE COVER HINGE	1

F DURATIQ X6
HANDLE BAR ASSY

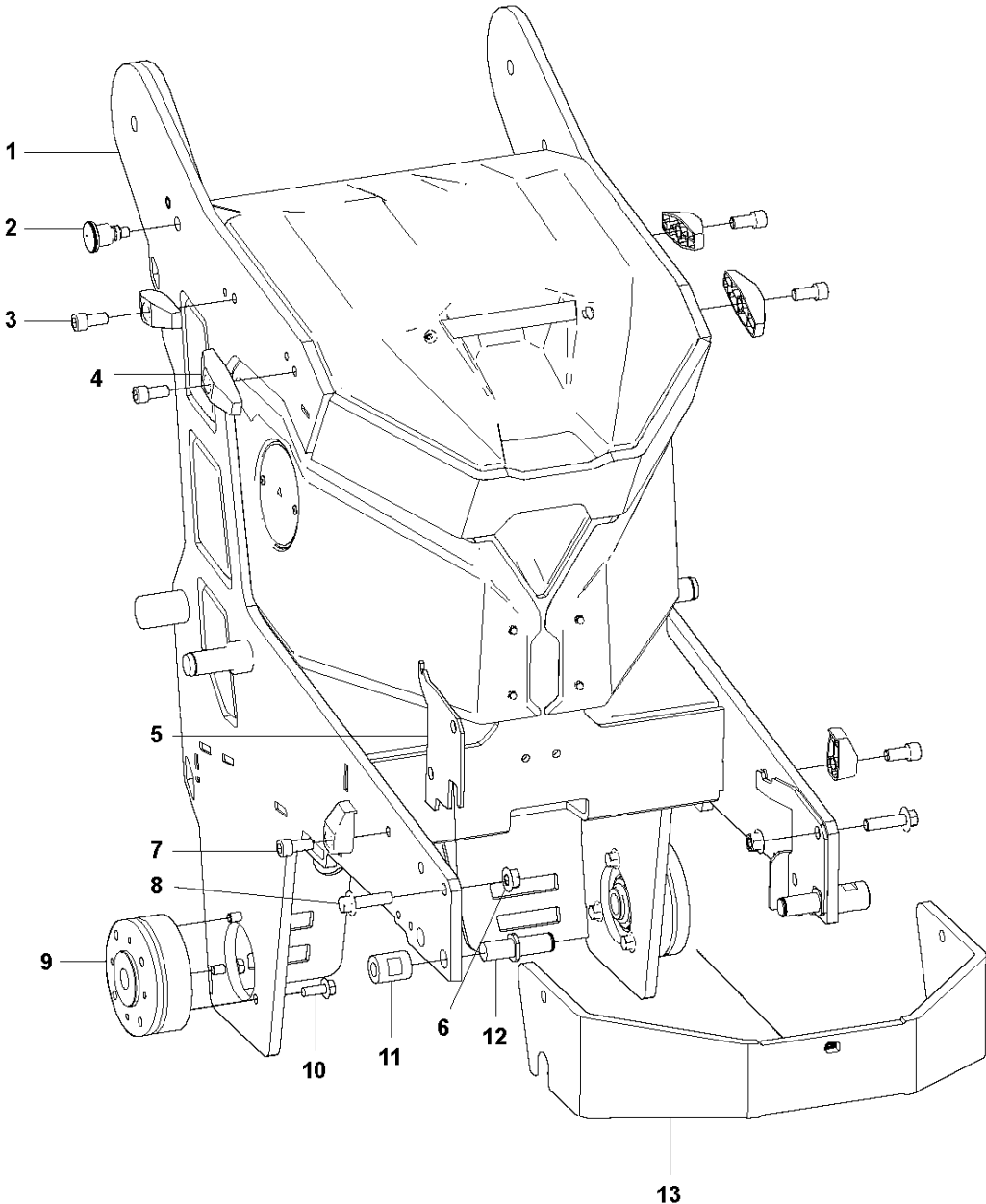


HANDLE BAR ASSY

HTC X6/RX6, 967839209, 967839311, 967839312, 2021-01

Ref	Part No	Description	Remark	QTY KIT
1	593 53 76-01	HANDLEBAR	HANDLEBAR	1
2	593 48 64-01	HANDLE	ADJUSTABLE HANDLE M12X30	1
3	593 48 58-01	WASHER	WASHER 13X24X2.5	1
4	595 75 57-01	HANDLEBAR	HANDLEBAR CLAMP	1
5	593 51 35-01	SCREW	SCREW M8X20	4
6	595 53 12-01	HANDLE BRACKET	HANDLEBAR BRACKET	1
7	595 65 90-01	GROMMET	RUBBER GROMMET 31X48X14	2
8	595 75 59-01	HANDLE	HANDLE WELDMENT	1

G DURATIQ X6
CHASSIS FRAME

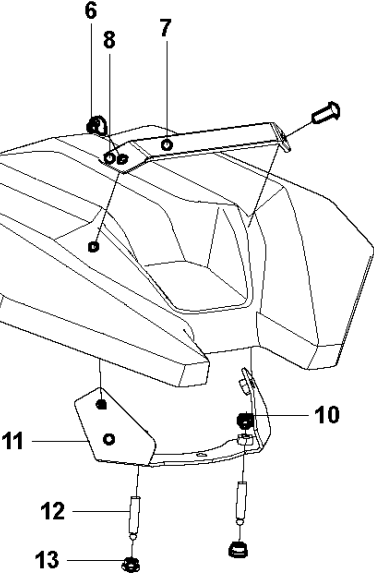
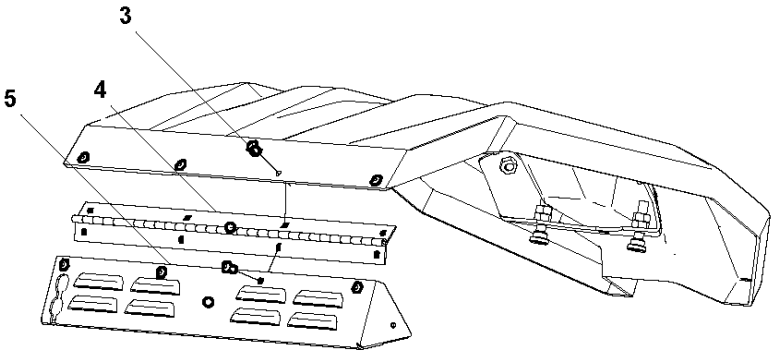
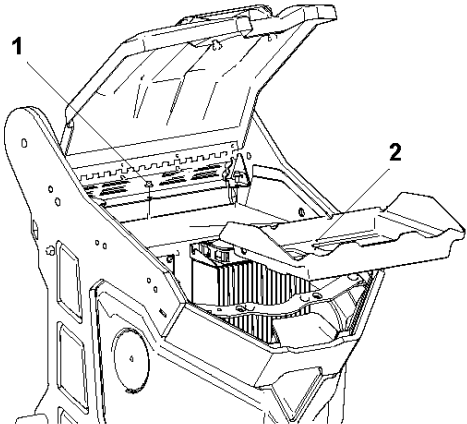


CHASSIS / FRAME

HTC X6/RX6, 967839209, 967839311, 967839312, 2021-01

Ref	Part No	Description	Remark	QTY KIT
1	595 75 79-01	CHASSIS	CHASSIS FRAME	1
2	593 48 65-01	PISTON	INDEX PLUNGER M16XØ10	1
3	593 50 36-01	SCREW	SCREW M12X20	6
4	593 53 85-01	COUNTERWEIGHT	WEIGHT FIXING BLOCK	4
5	593 53 88-01	ANGLE LIMITER	ANGLE LIMIT RIGHT	1
5	593 53 87-01	ANGLE LIMITER	ANGLE LIMIT LEFT	1
6	593 51 39-01	LOCK NUT	NUT M12	2
7	593 53 86-01	COUNTERWEIGHT	WEIGHT FIXING BLOCK FRONT	2
8	593 63 04-01	SCREW	SCREW M12X45	2
9	595 71 10-01	HUB	HUB ASSEMBLY	2
10	593 51 38-01	SCREW	SCREW M10X25	6
11	593 53 84-01	NUT	NUT GRINDING HEAD SUSPENSION	2
12	593 53 83-01	AXLE	AXLE GRINDING HEAD SUSPENSION	2
13	593 53 82-01	CHASSIS	CHASSIS FRONT BOW	1

H DURATIQ X6
PLASTICS

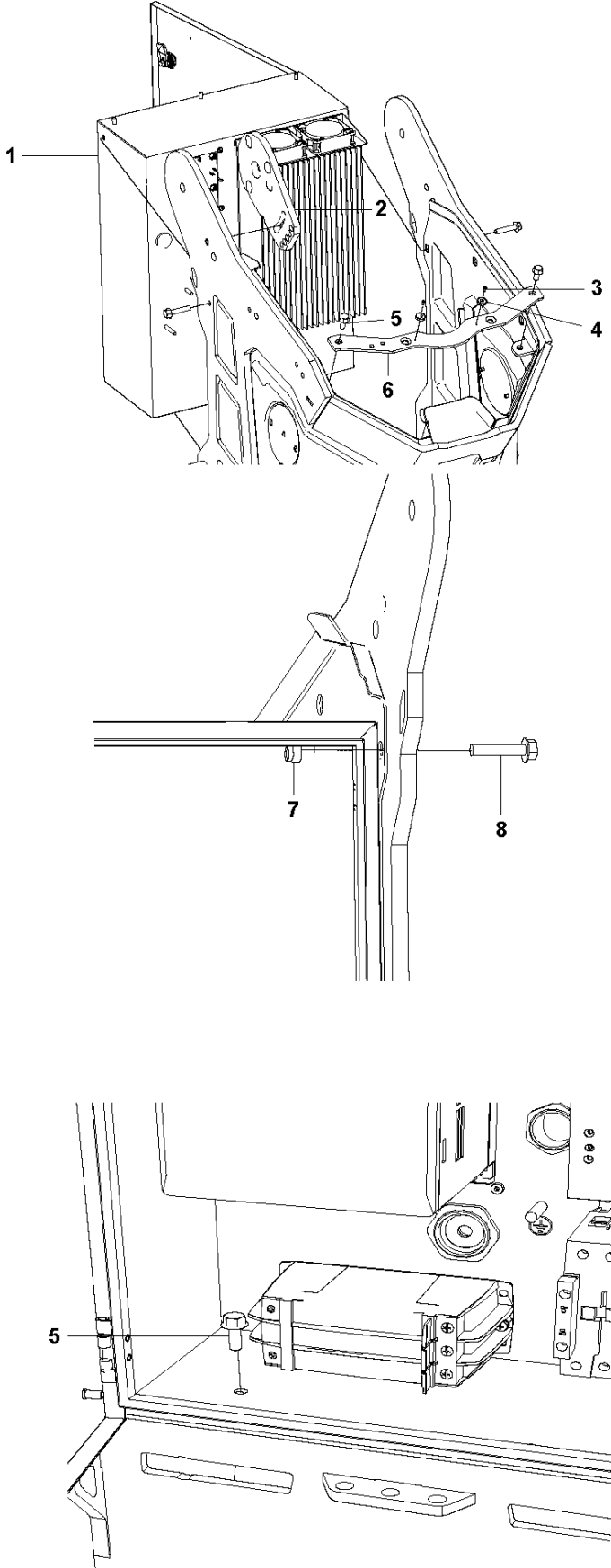


PLASTICS

HTC X6/RX6, 967839209, 967839311, 967839312, 2021-01

Ref	Part No	Description	Remark	QTY KIT
1	595 68 03-01	NUT	NUT M6	3
2	595 75 95-01	BOX	STORAGE BOX	1
3	593 51 46-01	RIVET	POP RIVET 4.8	8
4	595 71 26-01	COVER	TOP COVER HINGE	1
5	595 75 89-01	COVER	TOP COVER BRACKET	1
6	595 68 07-01	SCREW	SCREW M8X20	2
7	529 50 79-03	DECAL	DECAL X6	1
7	529 50 79-02	DECAL	DECAL RX6	1
8	595 75 92-01	COVER	TOP COVER HANDLE	1
9	595 75 88-02	COVER	TOP COVER	1
10	593 50 47-01	NUT	NUT M8	2
11	595 71 18-01	COVER	TOP COVER MAGNET BRACKET	1
12	595 66 01-01	SCREW	GRUB SCREW	2
13	595 66 02-01	PAD	THRUST PAD	2

**DURATIQ X6
POWER UNIT ASSY**

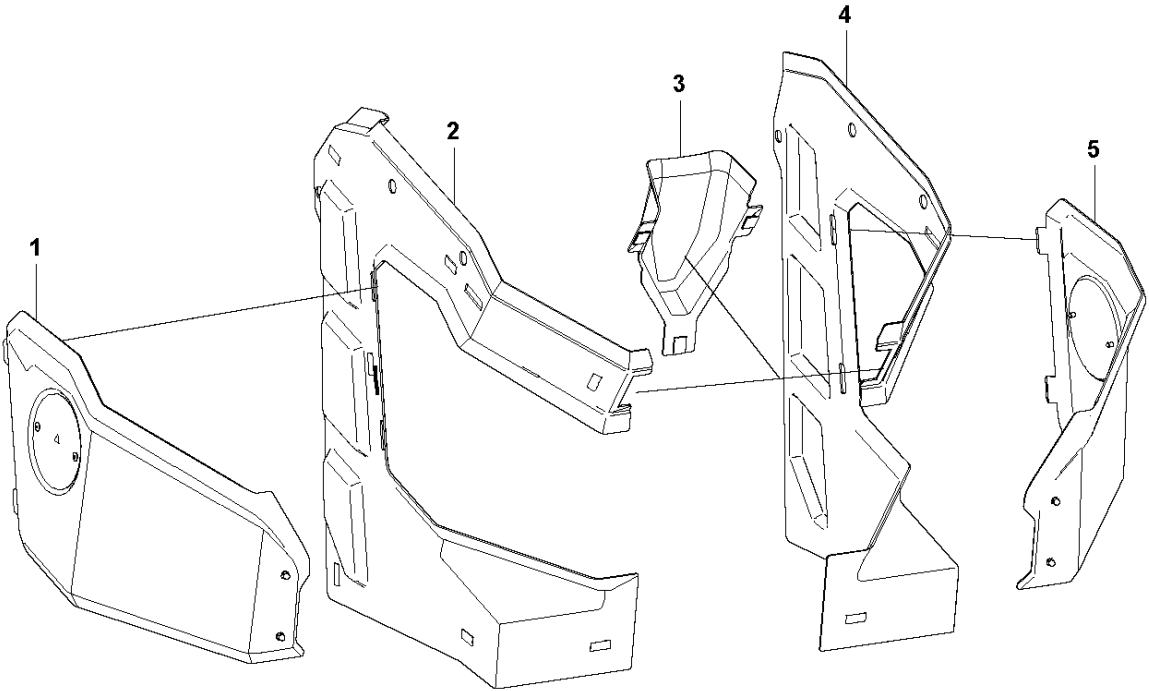


POWER UNIT

HTC X6/RX6, 967839209, 967839311, 967839312, 2021-01

Ref	Part No	Description	Remark	QTY KIT
1	595 77 15-02	POWER UNIT	POWER UNIT 1X200V 6KW	1
1	595 77 16-02	POWER UNIT	POWER UNIT 3X200V 7.5KW	1
1	595 77 17-01	POWER UNIT	POWER UNIT 3X400V 7.5KW	1
2	595 75 61-01	HANDLE	HANDLE ADJUSTMENT PLATE	1
3	595 68 05-01	SCREW	SCREW M3X8	2
4	593 49 17-01	MAGNET	MAGNET Ø16X4.5	2
5	593 51 35-01	SCREW	SCREW M8X20	4
6	595 75 90-01	COVER	LOCKING PLATE	1
7	593 49 98-01	LOCK NUT	NUT M8	2
8	593 51 37-01	SCREW	SCREW M8X40	2

J DURATIQ X6
PLASTICS

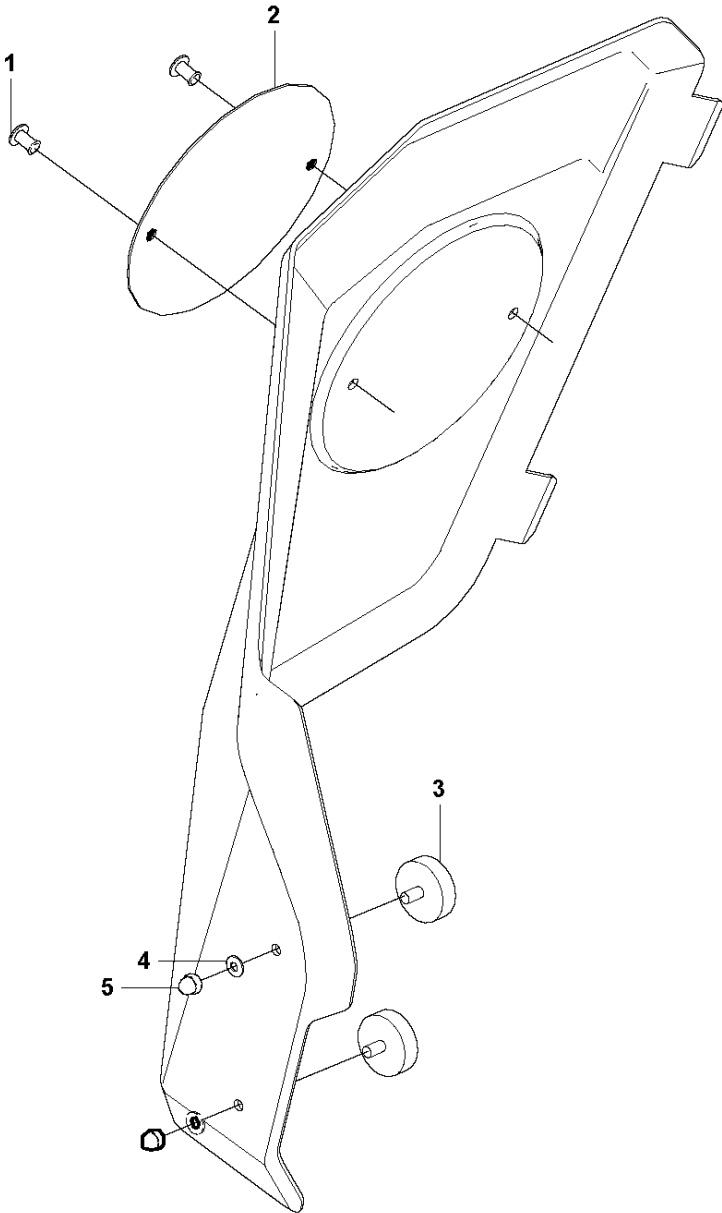


PLASTICS

HTC X6/RX6, 967839209, 967839311, 967839312, 2021-01

Ref	Part No	Description	Remark	QTY KIT
1	595 53 16-02	COVER	SIDE COVER RIGHT	1
2	595 71 34-02	COVER	MACHINE COVER SIDE RIGHT	1
3	595 71 35-02	COVER	MACHINE COVER CENTER	1
4	595 71 33-02	COVER		1
5	595 71 36-02	COVER		1

K DURATIQ X6
DECALS

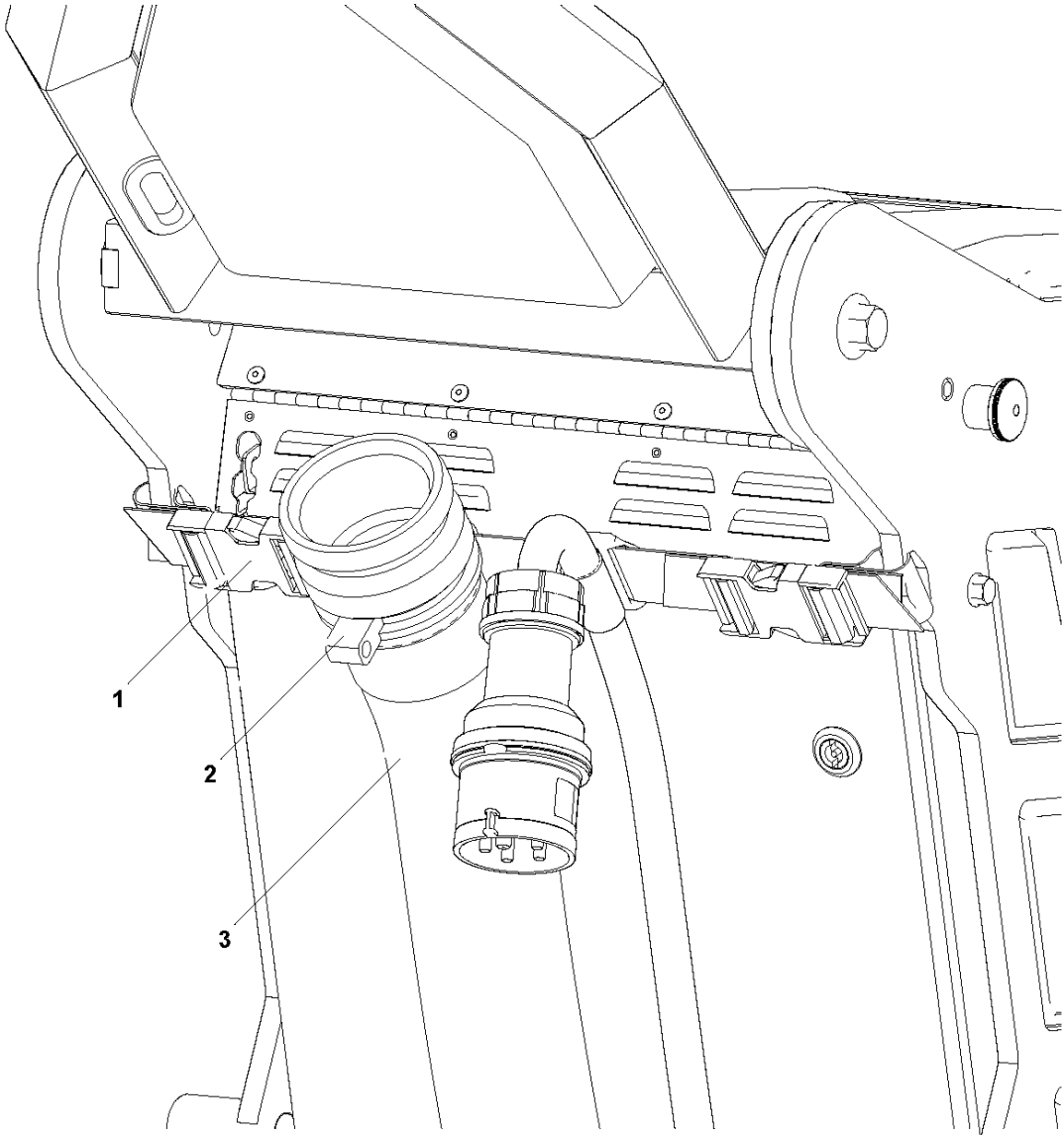


DECALS

HTC X6/RX6, 967839209, 967839311, 967839312, 2021-01

Ref	Part No	Description	Remark	QTY KIT
1	593 51 46-01	RIVET	POP NUT 4.8	2
2	529 50 77-01	DECAL	DECAL HTC LOGO Ø110	1
3	593 49 21-01	MAGNET	MAGNET Ø25X7 M4	2
4	595 67 27-01	WASHER	WASHER M4	2
5	595 68 14-01	NUT	NUT M4	2

L DURATIQ X6
CAMLOCK

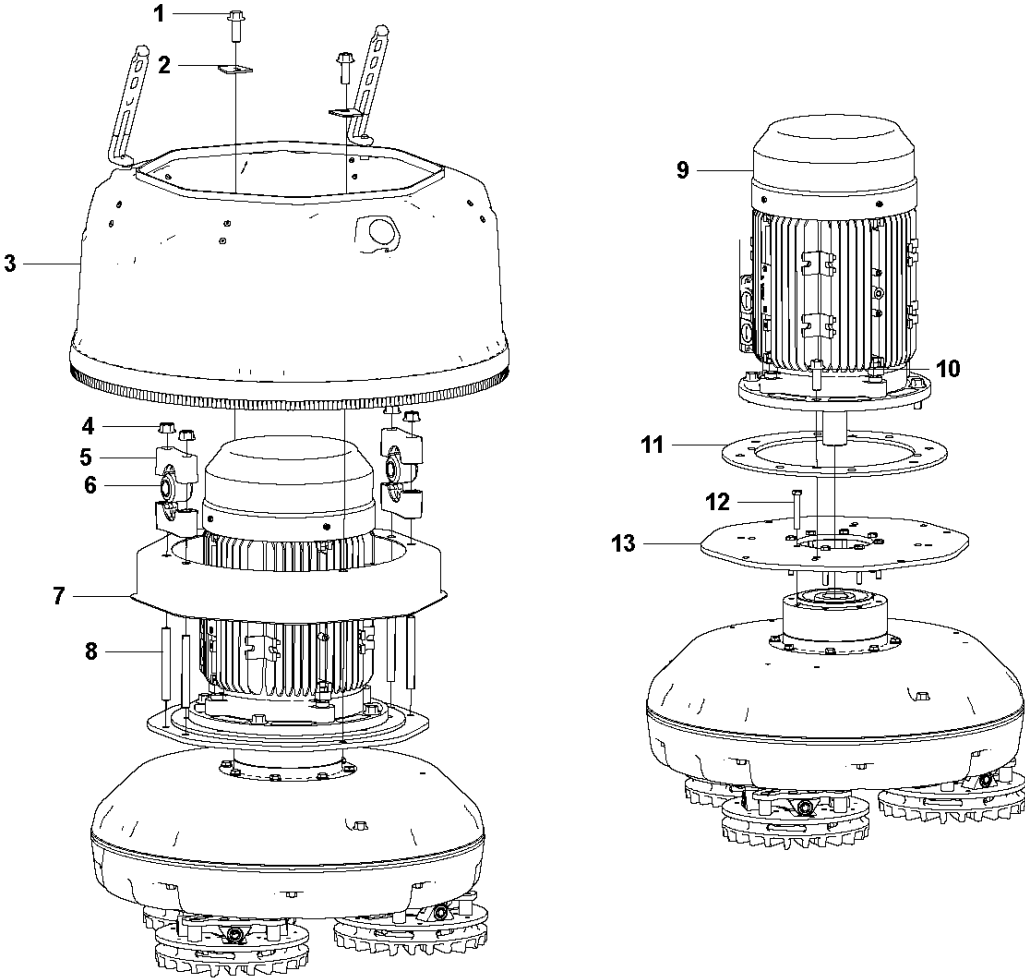


CAMLOCK

HTC X6/RX6, 967839209, 967839311, 967839312, 2021-01

Ref	Part No	Description	Remark	QTY KIT
1	593 53 67-01	STRAP	HOSE GUIDE ASSEMBLY	1
2	593 45 76-01	HOSE COUPLING	CAMLOCK MALE 3" HOSE SHANK	1
3	593 47 87-01	HOSE	HOSE 3" PU ANTI-STATIC BLACK . 1.15M	1

M DURATIQ X6
MOTOR & COVER

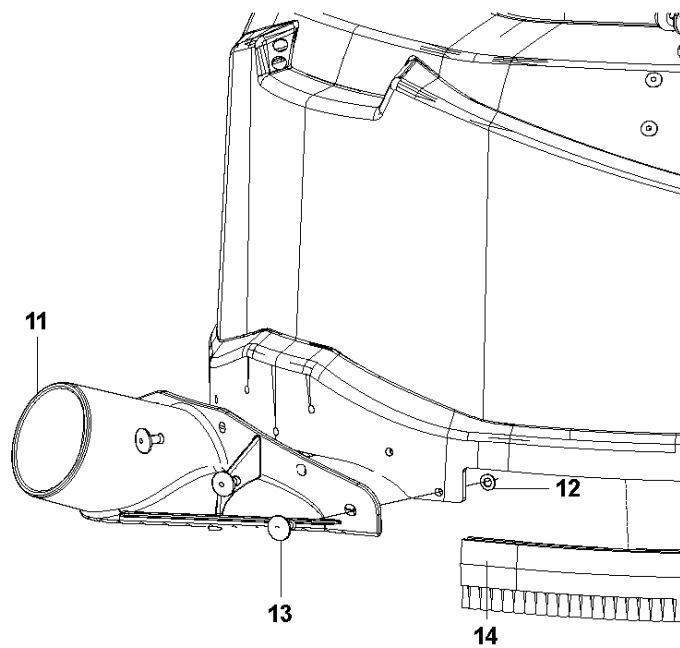
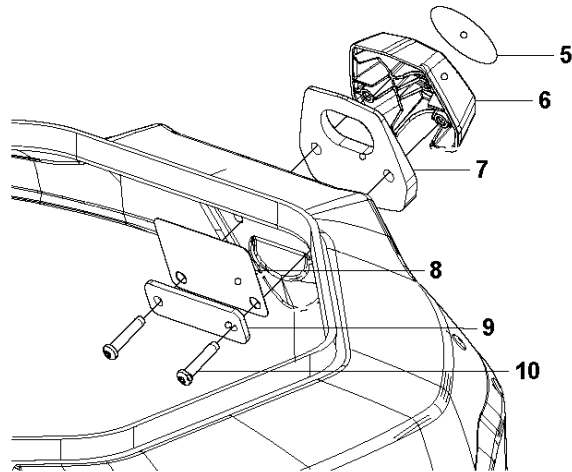
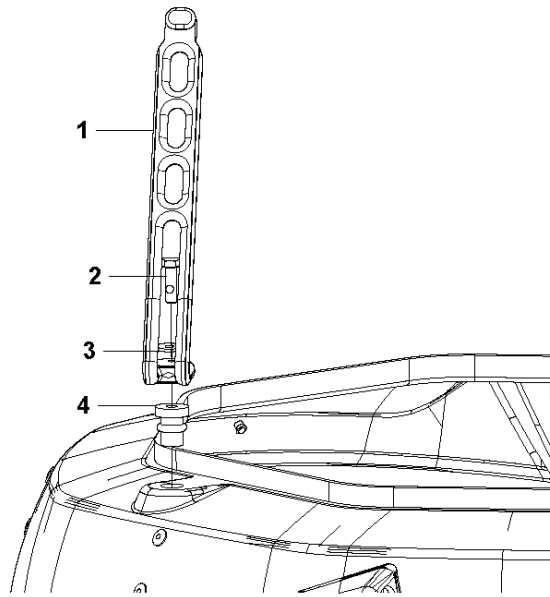


MOTOR & COVER

HTC X6/RX6, 967839209, 967839311, 967839312, 2021-01

Ref	Part No	Description	Remark	QTY KIT
1	595 68 01-01	SCREW	SCREW M12X35	2
2	593 53 89-01	COVER	COVER LOCKING PLATE	2
3	593 53 91-02	COVER	GRINDING COVER 6	1
3	593 48 10-02	COVER	GRINDING COVER T6/X6 WATER CMPL	1
4	593 51 39-01	LOCK NUT	NUT M6MF M12	4
5	593 54 20-01	CLAMP	SUSPENSION CLAMP	4
6	593 53 90-01	SUSPENSION	SUSPENSION RUBBER	2
7	595 75 80-01	COVER	GRINDING COVER GUIDE	1
8	593 51 45-01	BOLT	PS M12X100	4
9	593 56 03-01	MOTOR	MOTOR 7.5KW	1
10	595 68 01-01	SCREW	SCREW M12X35	4
11	597 25 51-01	SEAL	MOTOR SPACER SEAL	1
12	595 67 99-01	SCREW	SCREW M8X55	8
13	595 75 81-01	MOTOR	MOTOR PLATE	1

N DURATIQ X6
EXHAUST & MISC

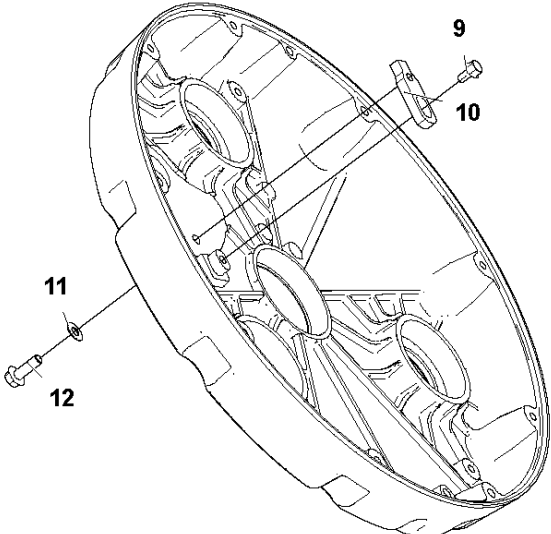
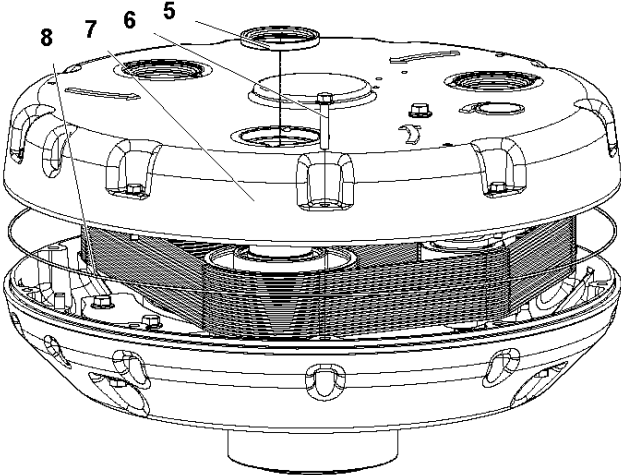
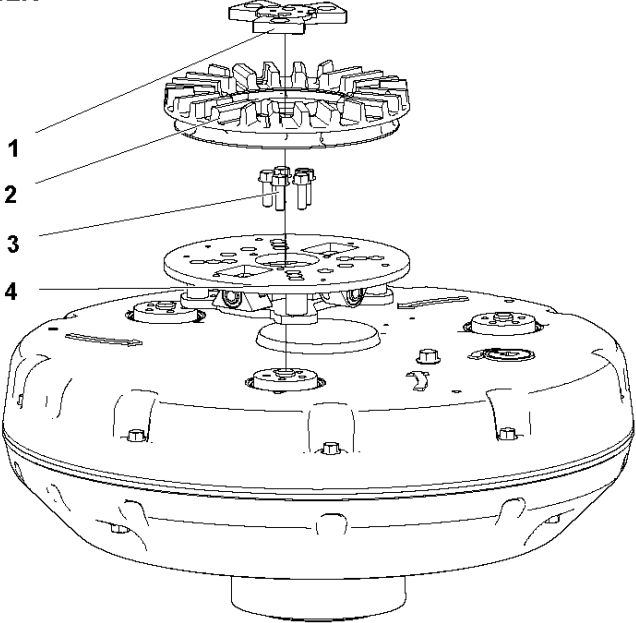


EXHAUST & MISC

HTC X6/RX6, 967839209, 967839311, 967839312, 2021-01

Ref	Part No	Description	Remark	QTY KIT
1	593 48 69-01	STRAP	RUBBER STRAP	2
2	593 51 34-01	SCREW	SCREW M6X20	2
3	593 50 93-01	WASHER	WASHER M6	2
4	593 71 87-01	KIT	EXPANDER M6 RUBBER	2
5	593 49 31-02	DECAL	DECAL HTC LOGO Ø40	1
6	593 54 22-01	BRACKET	MIST BRACKET	1
7	593 54 34-01	WEDGE	MIST ANGEL WEDGE	1
8	593 54 25-01	DECAL	DECAL MIST HOLE COVER	1
9	593 53 64-01	SUPPORT PLATE	MIST BRACKET PLATE	1
10	593 51 49-01	SCREW	SCREW ST 5.0	2
11	593 53 94-01	NOZZLE	VAC NOZZLE	1
12	593 50 43-01	WASHER	WASHER M5	7
13	593 51 47-01	RIVET	POP RIVET BLIND 4.8X15	7
14	593 44 61-03	STRIP	BRUSH LIST 15MM . 1.75M	1
14	593 44 61-07	STRIP	BRUSH LIST 15 mm * 25 m roll	1

**O DURATIQ X6
GRINDING HEAD LOWER**

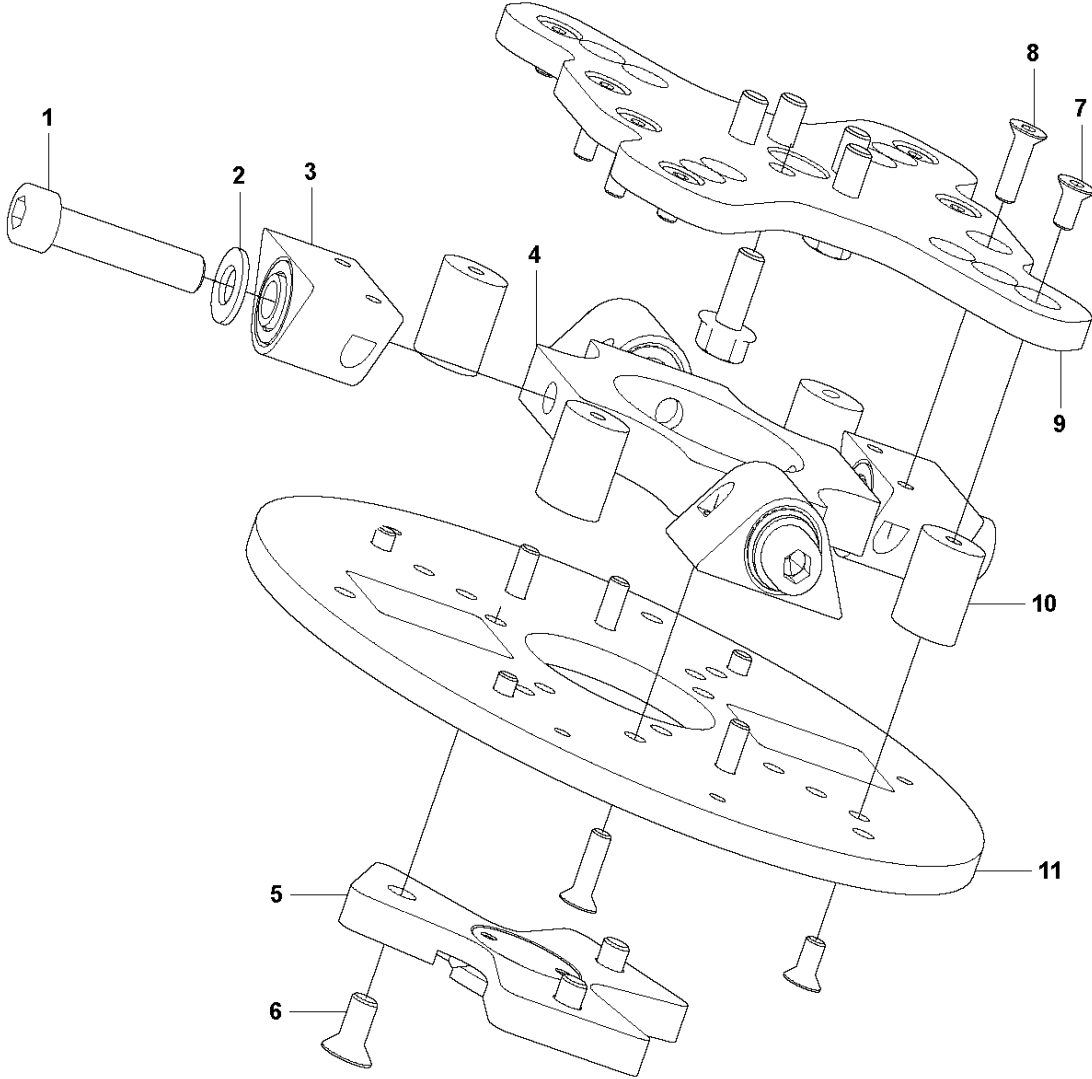


GRINDING HEAD LOWER

HTC X6/RX6, 967839209, 967839311, 967839312, 2021-01

Ref	Part No	Description	Remark	QTY KIT
1	593 61 59-01	CROSS MEMBER	CROSS COMPLETE	4
2	593 31 93-02	TOOL HOLDER	TOOL HOLDER EZ AIRFLOW Ø230MM	4
3	593 51 36-01	SCREW	SCREW M8X 25	24
4	593 54 00-01	HOLDER	GRIND HOLDER COMPLETE Ø230MM	4
5	593 48 72-01	RADIAL SEAL	RADIAL SEAL 60X75X8	4
6	593 51 37-01	SCREW	SCREW M8X45	8
7	595 76 00-01	HOUSING	HOUSING X6 LOWER	1
8	593 48 71-01	O-RING	O-RING HOUSING 6	1
9	593 96 40-01	SCREW	SCREW M6SF M8X16	1
10	593 53 81-01	TENSIONER	PRE TENSION PLATE	1
11	593 96 42-01	WASHER	WASHER COPPER 10X20X1	1
12	593 96 41-01	SCREW	SCREW M10X30	1

P DURATIQ X6
GRINDING HOLDER ASSY

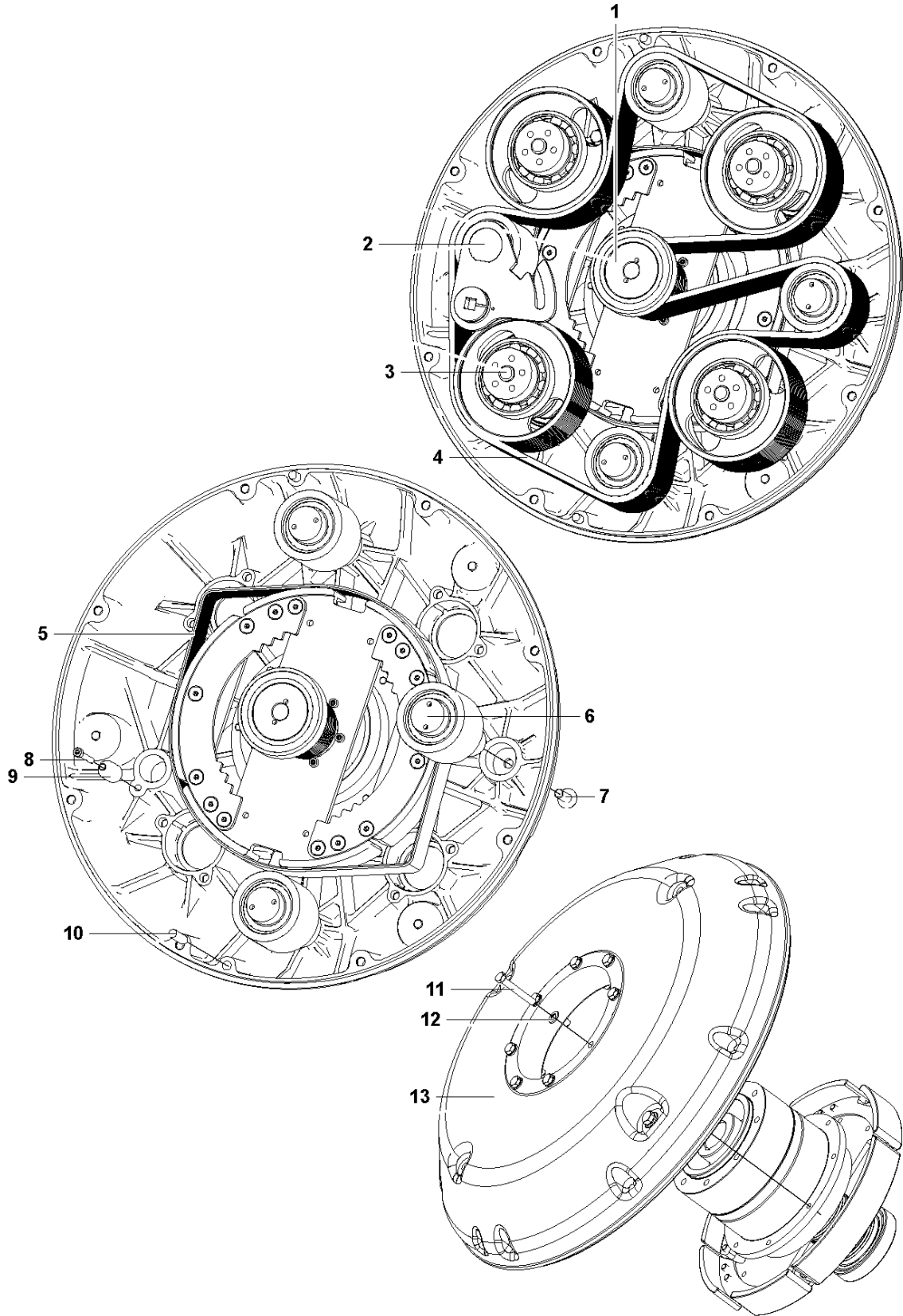


GRINDING HOLDER ASSY

HTC X6/RX6, 967839209, 967839311, 967839312, 2021-01

Ref	Part No	Description	Remark	QTY KIT
1	593 51 26-01	SCREW	SCREW M 10X50	4
2	593 49 91-01	WASHER	WASHER M10	4
3	593 71 81-01	KIT	EAR WIDE CMPL.	4
4	593 53 62-01	CONNECTION	CARDAN CONNECTION	1
5	593 61 59-01	CROSS MEMBER	CROSS COMPLETE INCL. POS.6	1
6	593 49 99-01	SCREW	SCREW M8X16	3
7	593 50 85-01	SCREW	SCREW M6X12	8
8	593 50 51-01	SCREW	SCREW M6X20	8
9	593 53 97-01	PLATE	UPPER GRIND HOLDER PLATE	1
10	595 74 84-01	ABSORBER	SHOCK ABSORBER	4
11	593 53 98-01	PLATE	GRIND HOLDER PLATE Ø270	1

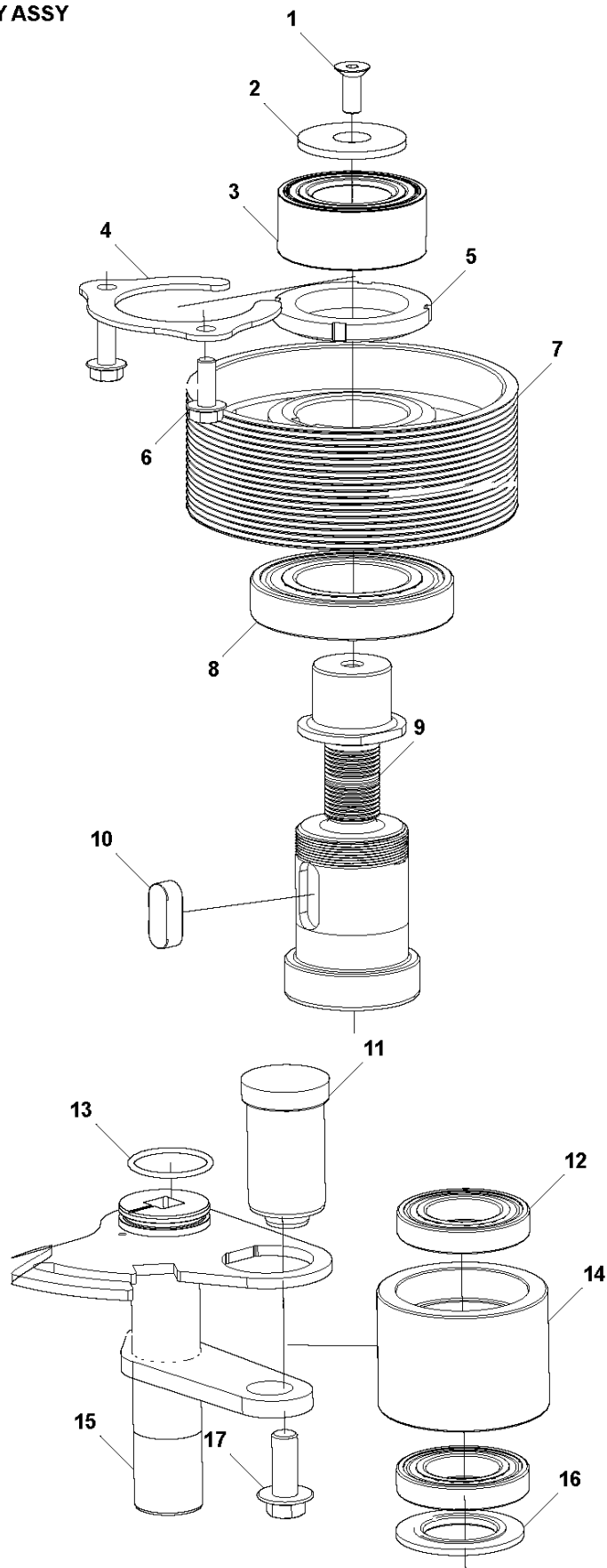
Q DURATIQ X6
GRINDING HEAD INTERNAL & UPPER



GRINDING HEAD INTERNAL & UPPER HTC X6/RX6, 967839209, 967839311, 967839312, 2021-01

Ref	Part No	Description	Remark	QTY KIT
1	593 54 31-01	HUB ASSY	CENTER HUB ASSY.	1
2	593 54 37-01	BELT TENSIONER	BELT TENSIONER	1
3	593 54 30-01	SHAFT ASSY	GRINDING SHAFT ASSY. - 6	4
4	593 48 73-01	BELT	BELT PRIMARY - X6	1
5	593 48 74-01	BELT	BELT SECONDARY - 6	1
6	593 71 82-01	KIT	IDLER ASSY.	3
7	593 96 41-01	SCREW	SCREW M10X30	3
8	593 51 04-01	SCREW	SCREW M6X45	1
9	595 71 39-01	TENSIONER	TENSIONER STOP	1
10	593 51 41-01	PIN	PARALLEL PIN	2
11	595 67 99-01	SCREW	SCREW M8X55	8
12	593 50 04-01	WASHER	WASHER M8	8
13	595 76 02-01	HOUSING	HOUSING X6 TOP	1

R DURATIQ X6
IDLER PULLEY ASSY

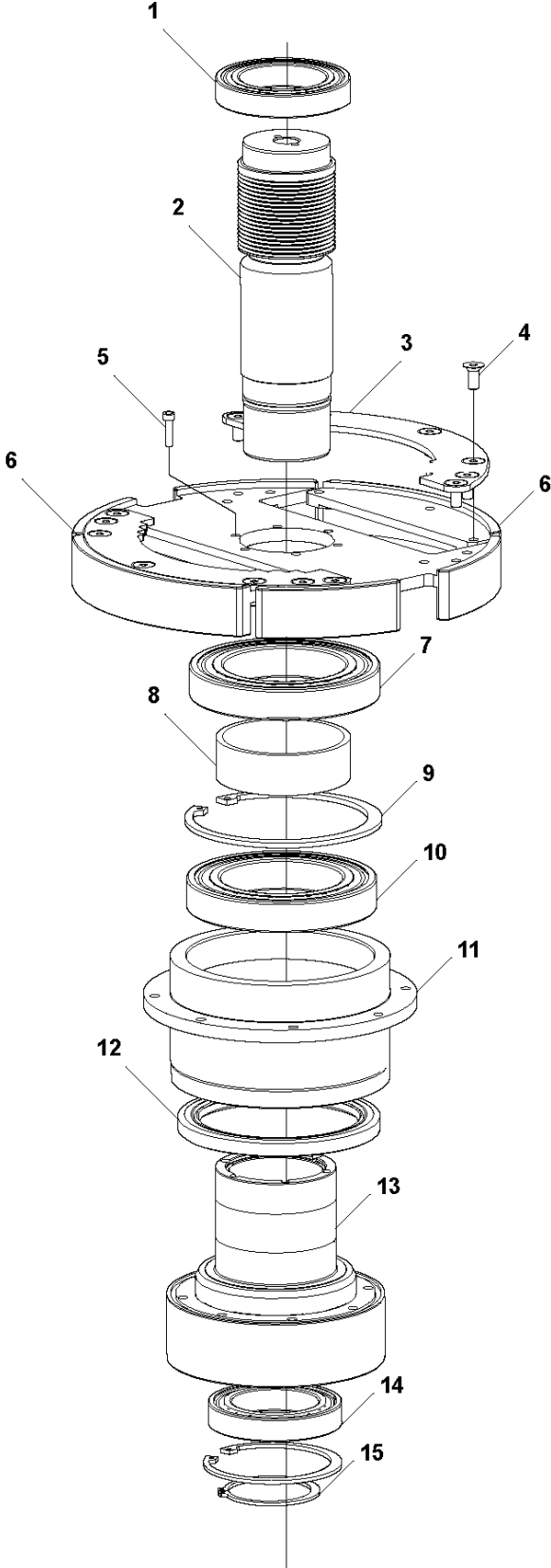


IDLER PULLEY ASSY

HTC X6/RX6, 967839209, 967839311, 967839312, 2021-01

Ref	Part No	Description	Remark	QTY KIT
1	593 50 49-01	SCREW	SCREW M8X20	1
2	595 70 99-01	WASHER	PRETENSION WASHER	1
3	593 48 77-01	BEARING	HUB BEARING	1
4	595 71 00-01	WASHER	WASHER GRINDING SHAFT	1
5	593 48 79-01	NUT	NUT KM 10	1
6	593 51 36-01	SCREW	SCREW M8X25	2
7	595 75 75-01	PULLEY	PULLEY Ø150	1
8	593 49 27-01	BALL BEARING	BALL BEARING 6210-2Z C3	1
9	595 76 04-01	SHAFT	GRINDING SHAFT	1
10	593 48 76-01	KEY	KEY 14X9X36	1
11	595 76 14-01	AXLE	AXLE IDLER	1
12	593 49 28-01	BALL BEARING	BALL BEARING 6007-2Z C3	2
13	593 48 78-01	O-RING	O-RING 24,2X3	1
15	595 76 06-01	TENSIONER	TENSIONER WELDMENT	1
16	595 75 73-01	SPACER	SPACER	1
17	595 68 01-01	SCREW	SCREW M12X35	1
18	595 76 05-01	AXLE	IDLER SHAFT	1
19	593 49 28-01	BALL BEARING	BALL BEARING 6007-2Z C3	2
21	593 49 81-01	CIRCLIP	CIRCLIP SGA 35X1.5	1

S DURATIQ X6
CENTER HUB ASSY

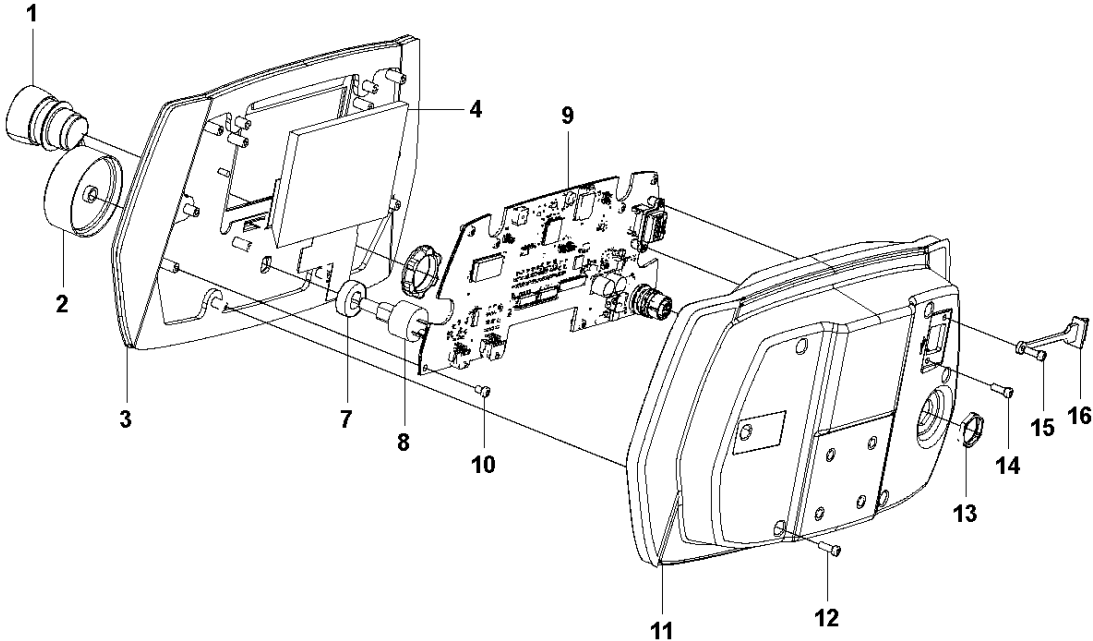


CENTER HUB ASSY

HTC X6/RX6, 967839209, 967839311, 967839312, 2021-01

Ref	Part No	Description	Remark	QTY KIT
1	593 49 26-01	BALL BEARING	BALL BEARING 6013-2Z C3	1
2	595 76 01-01	PULLEY	PULLEY CENTER Ø75	1
3	593 51 42-01	SCREW	SCREW M6X20	6
4	593 50 49-01	SCREW	SCREW M8X20	14
5	595 70 96-01	PULLEY	LOCKING PLATE SEC. PULLEY	2
6	595 75 72-01	PULLEY	SECONDARY PULLEY INCL. POS 4 & 5	1
7	593 62 99-01	BALL BEARING	BALL BEARING 6018- 2RS1	2
8	595 71 31-01	SPACER	SPACER RING	1
9	595 67 98-01	CIRCLIP	CIRCLIP SGH 140X4	1
10	595 71 30-01	HUB	CENTER HUB OUTER	1
11	593 48 70-01	RADIAL SEAL	RADIAL SEAL 120X150X12	1
12	593 54 29-01	HUB	CENTER HUB INNER	1
13	593 49 26-01	BALL BEARING	BALL BEARING 6013-2Z C3	1
14	593 50 30-01	CIRCLIP	CIRCLIP SGH 100X3	1
15	593 50 29-01	CIRCLIP	CIRCLIP SGA 65X2.5	1

T DURATIQ X6
CONTROL PANEL

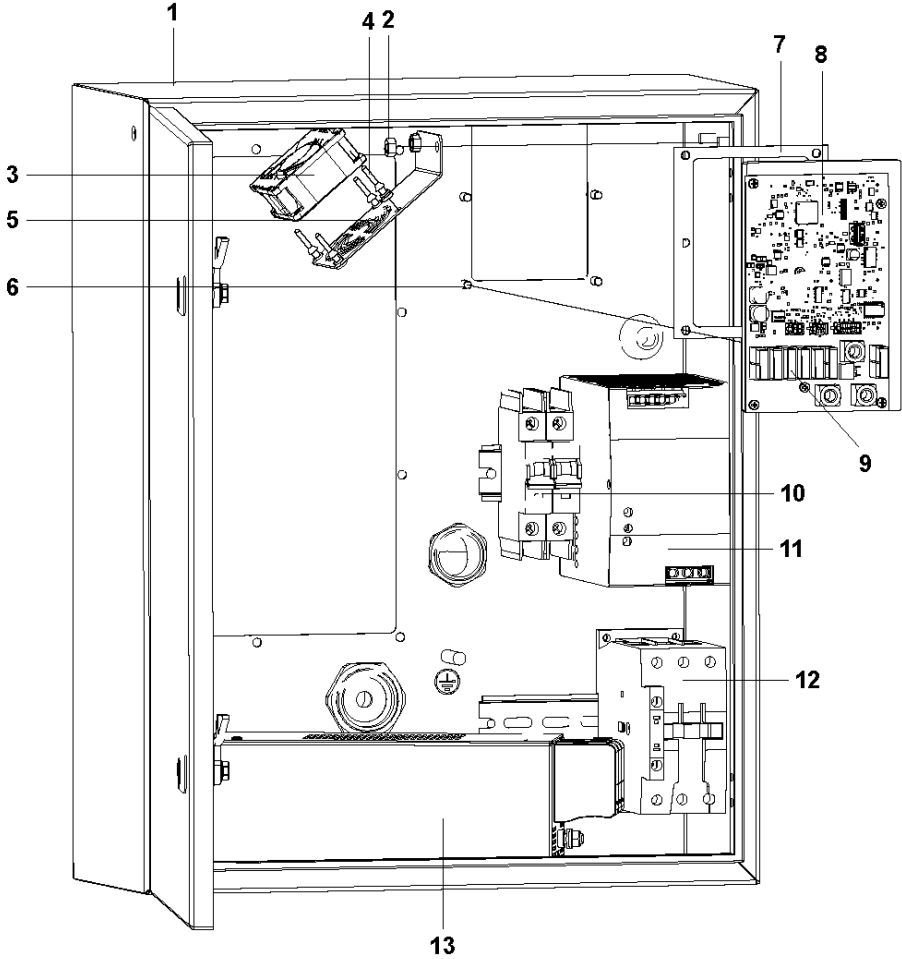


CONTROL PANEL

HTC X6/RX6, 967839209, 967839311, 967839312, 2021-01

Ref	Part No	Description	Remark	QTY KIT
1	593 54 08-01	PUSH BUTTON	EMERGENCY STOP	1
2	593 49 18-01	KNOB	CONTROL PANEL KNOB	1
3	595 72 20-02	CONTROL PANEL	CONTROL PANEL FRONT	1
4	594 07 87-01	DISPLAY	DISPLAY 4.3"	1
7	595 75 93-01	POTENTIOMETER	POTENTIOMETER GASKET	1
8	595 71 24-01	POTENTIOMETER	POTENTIOMETER	1
9	593 54 07-01	ELECTRIC MODULE	CONTROL PANEL CIRCUIT BOARD	1
10	595 68 16-01	SCREW	SCREW M3X6	8
11	595 75 82-01	CONTROL	CONTROL PANEL ENCLOSURE	1
12	595681701	TBD	SCREW M3X10	6
13	595 68 18-01	NUT	NUT PG6 18X2.8	1
14	595 68 19-01	SCREW	SCREW 4-40X8 UNC	1
15	595 68 20-01	SCREW	SCREW 4-40X9.5 UNC	1
15	595 74 32-01	COVER	USB COVER	1

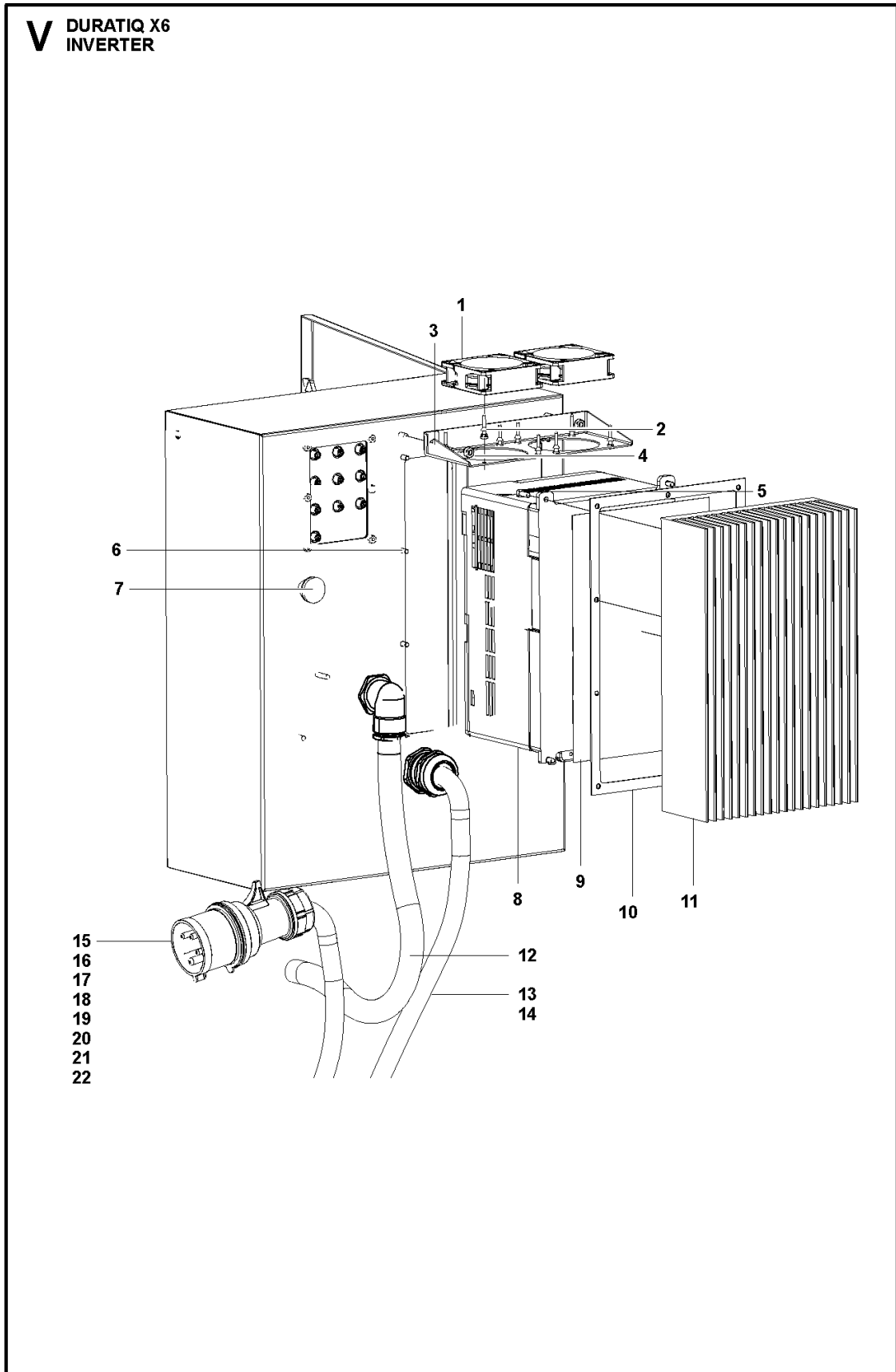
U DURATIQ X6
ELECTRICAL CABINET



ELECTRICAL CABINET

HTC X6/RX6, 967839209, 967839311, 967839312, 2021-01

Ref	Part No	Description	Remark	QTY KIT
1	595 75 83-01	ENCLOSED KIT	ENCLOSURE	1
2	593 50 00-01	LOCK NUT	NUT M6	2
3	595 74 44-01	FAN	FAN 24VDC - 60x60x25	1
4	595 74 43-01	FAN	FAN MOUNT RUBBER	4
5	595 71 08-01	MOUNT	MOUNT PLATE FOR 60mm FAN	1
6	595 68 22-01	SCREW	SCREW M5x10	6
7	593 53 63-01	GASKET	GASKET MAIN CIRCUIT BOARD	1
8	593 54 91-01	ELECTRIC MODULE	MAIN CIRCUIT BOARD	1
9	593 55 79-01	FUSE	FUSES F2 - F7 4A	6
9	593 55 80-01	FUSE	FUSES F8 20A	1
10	593 56 01-01	CIRCUIT BREAKER	CIRCUIT BREAKER 2-P 5A	1
11	593 56 02-01	POWER UNIT	POWER SUPPLY 24VDC 20A	1
12	593 55 92-01	CONTACTOR	CONTACTOR 1x200V 6kW 50A	1
12	593 55 94-01	CONTACTOR	CONTACTOR 3x200V 7.5kW 30A	1
12	593 55 93-01	CONTACTOR	CONTACTOR 3x400V 7.5kW 16A	1
12	593 55 93-01	CONTACTOR	CONTACTOR 3x500V 7.5kW 16A	1
13	593 56 00-01	FILTER	EMC-FILTER 1x200V 6kW 50A	1
13	593 55 99-01	FILTER	EMC-FILTER 3x200V 7.5kW 30A	1
13	593 55 99-01	FILTER	EMC-FILTER 3x400V 7.5kW 16A	1
13	593 55 99-01	FILTER	EMC-FILTER 3x500V 7.5kW 16A	1

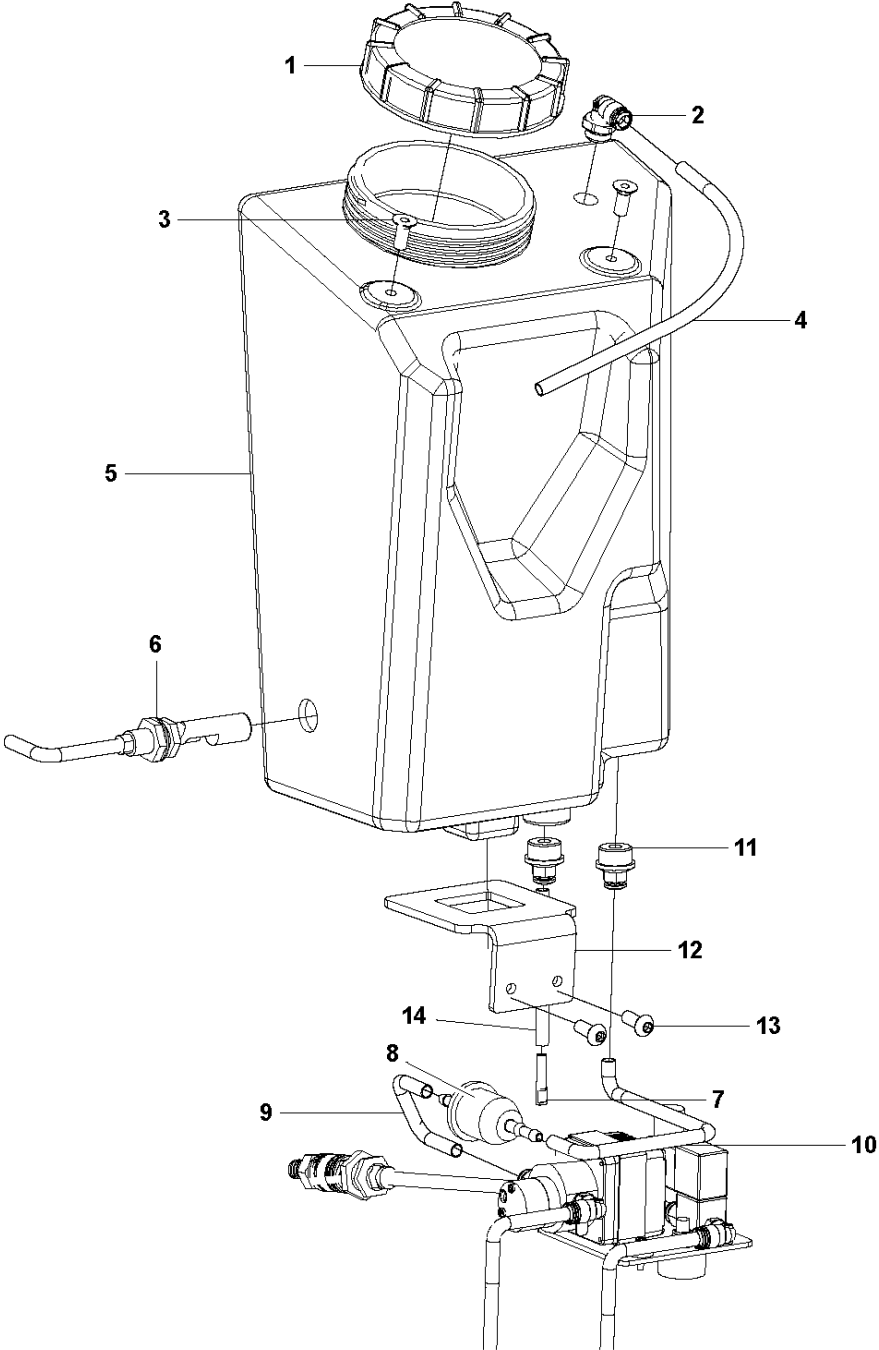


INVERTER

HTC X6/RX6, 967839209, 967839311, 967839312, 2021-01

Ref	Part No	Description	Remark	QTY KIT
1	593 54 94-01	FAN	FAN 24VDC - 80x80x25	1
2	595 74 43-01	FAN	FAN MOUNT RUBBER	8
3	595 70 94-01	FAN	FAN CONSOLE FOR 80MM	1
4	593 50 00-01	LOCK NUT	NUT M6	2
5	595 68 21-01	SCREW	SCREW M5X12	4
6	595 68 22-01	SCREW	SCREW M5X10	10
7	595745001	TBD	PLUG M20 RUBBER	1
8	593 55 96-01	FREQUENCY INVERTER	INVERTER 3x200V 7.5kW	1
8	597 25 59-01	HEAT SINK	INVERTER 3x500V 7.5kW	1
8	593 55 98-01	FREQUENCY INVERTER	INVERTER 1x200V 6kW	1
9	0	TBD	THERMAL MATERIAL 7.5kW	1
9	0	TBD	THERMAL MATERIAL 6kW	1
10	593 53 66-01	GASKET	GASKET HEATE SINK	1
11	595 71 09-01	HEAT SINK	HEATSINK >2.2kW	1
12	595 77 25-01	CABLE	CABLE POWER - 1x200V 6kW	1
12	595 77 24-01	CABLE	CABLE POWER - 3x200V 7.5kW	1
15	595 74 56-01	PLUG	PLUG 60A - 1x200V 6kW	1
16	593 55 76-01	PLUG	PLUG 30A - 3x200V 7.5kW	1
17	593 58 47-01	PLUG	PLUG 20A - 3x400V 7.5kW	1
18	593 58 46-01	PLUG	PLUG 20A - 3x500V 7.5kW	1
19	593 56 05-01	CONNECTOR	CONNECTOR 60A - 1x200V 6kW	1
20	593 55 71-01	CONNECTOR	CONNECTOR 30A - 3x200V 7.5kW	1
21	593 56 06-01	CONNECTOR	CONNECTOR 20A - 3x400V 7.5kW	1
22	593 56 08-01	CONNECTOR	CONNECTOR 20A - 3x500V 7.5kW	1

W DURATIQ X6
WATER TANK

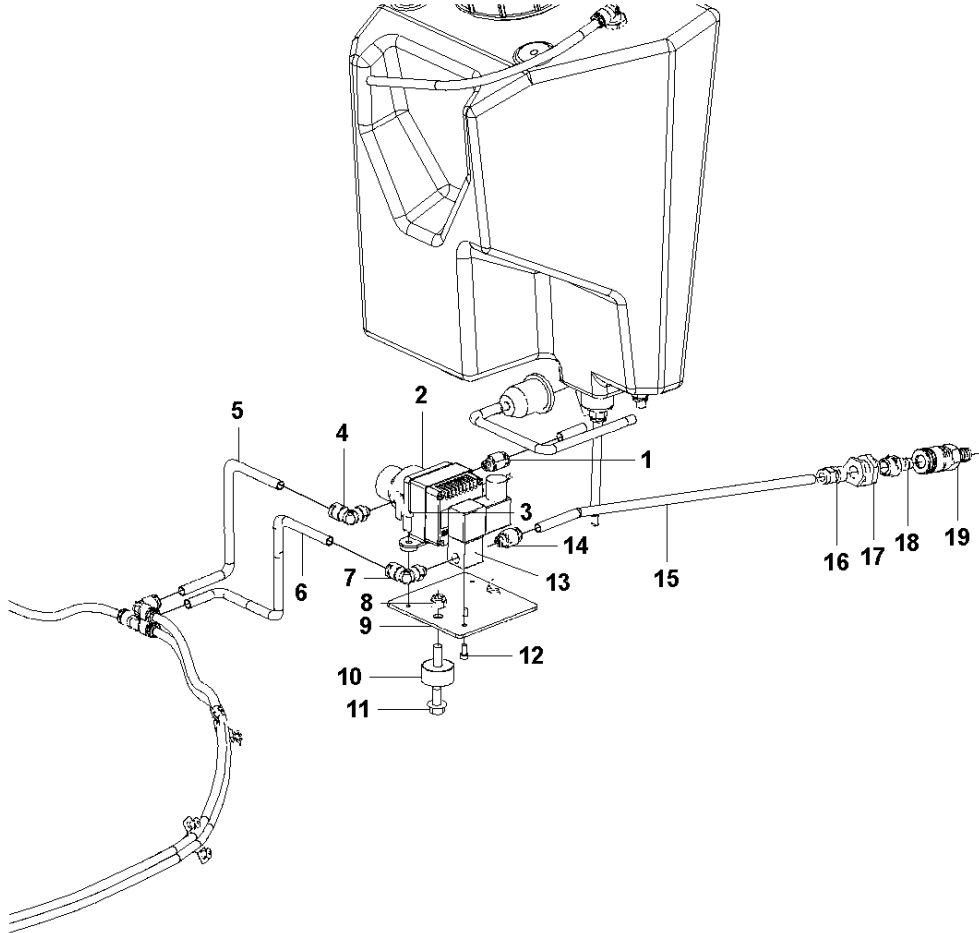


WATER TANK

HTC X6/RX6, 967839209, 967839311, 967839312, 2021-01

Ref	Part No	Description	Remark	QTY KIT
1	595 65 95-01	WATER TANK	WATER TANK CAP	1
2	593 48 98-01	CONNECTOR	CONNECTOR RED ELBOW 8MM. 3/8M	1
3	593 50 49-01	SCREW	SCREW MFTS M8X20 8.8 FZB	2
4	593 48 87-01	HOSE	HOSE Ø8/6 370MM	1
5	593 53 79-01	TANK	WATER TANK INCL. CAP	1
6	595 65 96-01	SWITCH	LEVEL SWITCH	1
7	593 48 86-01	CONNECTOR	CONNECTOR RED PLUG Ø6	1
8	593 49 13-01	PREFILTER	WATER PRE FILTER	1
9	593 48 87-01	HOSE	HOSE Ø8/6 370MM	1
10	593 48 87-01	HOSE	HOSE Ø8/6 370MM	1
11	593 48 90-01	CONNECTOR	CONNECTOR RED STRAIGHT 8-1/2M	2
12	595 75 70-01	WATER TANK	LOWER TANK BRACKET	1
13	595 68 07-01	SCREW	SCREW M8X20 10.9 ZP ISO 7380	2
14	593 48 87-01	HOSE	HOSE Ø8/6 200MM	1

X DURATIQ X6
MIST PUMP

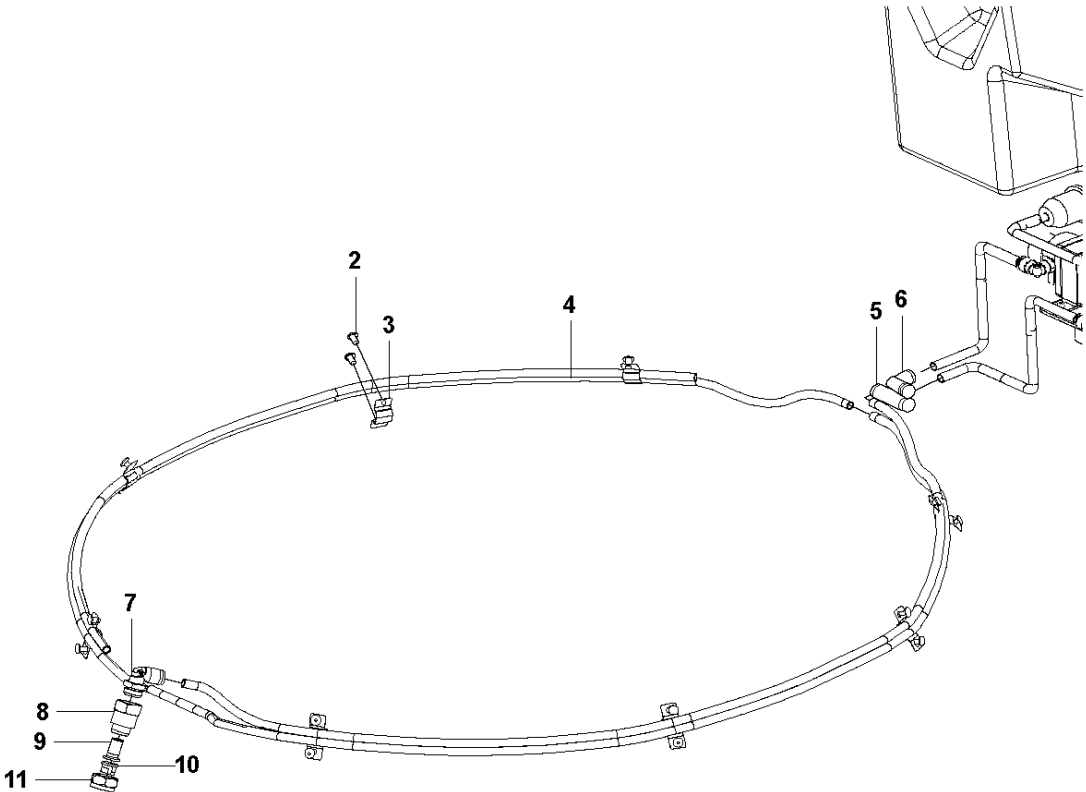
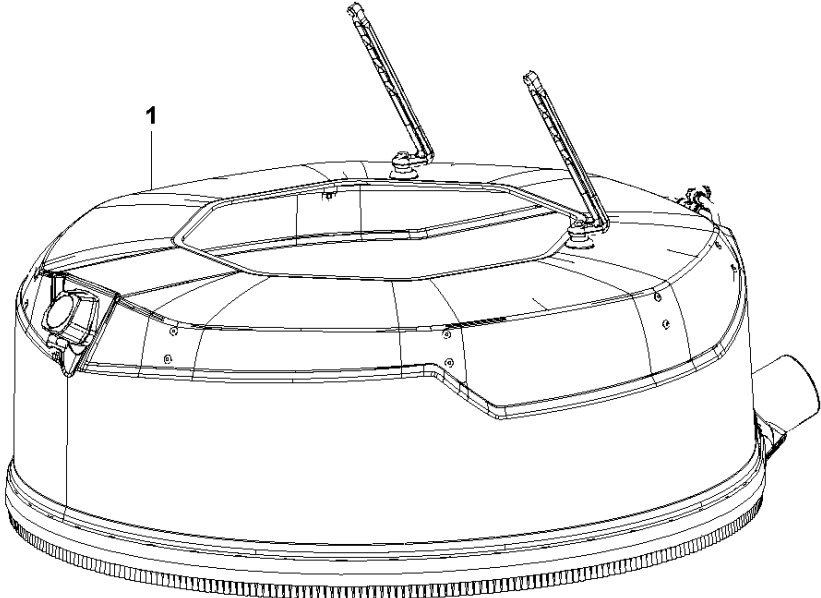


MIST PUMP

HTC X6/RX6, 967839209, 967839311, 967839312, 2021-01

Ref	Part No	Description	Remark	QTY KIT
1	593 48 82-01	CONNECTOR	CONNECTOR RED STRAIGHT 8-1/8M	1
2	593 48 85-01	PUMP	MIST PUMP	1
3	593 50 64-01	SCREW	SCREW MC6S 88 DIN 912 ISO 4762	2
4	593 48 83-01	CONNECTOR	CONNECTOR RED ELBOW 8 - 1/8M	1
5	593 48 87-01	HOSE	HOSE Ø8/6 370MM	1
6	593 48 87-01	HOSE	HOSE Ø8/6 420MM	1
7	593 48 84-01	CONNECTOR	CONNECTOR BLK ELBOW 8 - 1/8M	1
8	593 49 98-01	LOCK NUT	NUT LM6M 8 M8 DIN 985	2
9	593 53 92-01	PLATE	PUMP MOUNTING PLATE	1
10	593 48 80-01	DAMPER	VIBRATION DAMPER M8	2
11	593 96 40-01	SCREW	SCREW M8x16 8.8 ZP DIN 6921	2
12	593 50 89-01	SCREW	SCREW MC6S M4x10 8.8 DIN 912/ISO 4762	2
13	593 49 10-01	VALVE	WATER VALVE 24VDC	1
14	593 48 81-01	CONNECTOR	CONNECTOR BLK STRAIGHT 8-1/8M	1
15	593 48 87-01	HOSE	HOSE Ø8/6 370MM	1
16	593 48 89-01	CONNECTOR	CONNECTOR BLK STRAIGHT 8-1/4M	1
17	593 48 88-01	CONNECTOR	CONNECTOR BULKHEAD 1/4F-1/4F	1
18	593 48 91-01	CONNECTOR	CONNECTOR QUICK MALE 1/4M	1
19	593 48 92-01	CONNECTOR	CONNECTOR QUICK FEMALE Ø12	1

Y DURATIQ X6
GRINDING COVER

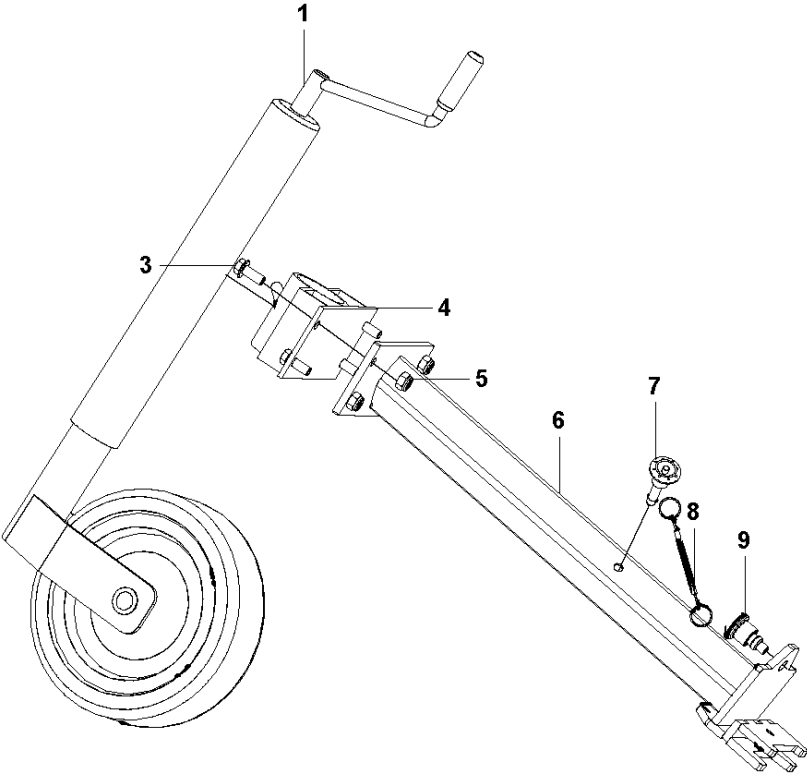


GRINDING COVER

HTC X6/RX6, 967839209, 967839311, 967839312, 2021-01

Ref	Part No	Description	Remark	QTY KIT
1	593 48 10-02	COVER	GRINDING COVER T6/X6 WATER CMPL	1
2	593 51 46-01	RIVET	BLIND RIVET 4.8X11 BLACK	16
3	595 74 60-01	CLIP	CLIP 2XØ8MM	8
4	595 71 16-01	HOSE	HOSE MIST AND WATER 8 CUT	1
5	593 48 95-01	CONNECTOR	CONNECTOR BLK TEE 3 x 8MM	1
6	593 48 97-01	CONNECTOR	CONNECTOR RED ELBOW 8MM - 8MM	1
7	593 48 98-01	CONNECTOR	CONNECTOR RED ELBOW 8MM - 3/8M	1
8	593 61 73-01	EXTENSION JOINT	MIST EXTENSION	1
9	593 48 99-01	FILTER	MIST FILTER, 100 MESH	1
10	593 49 00-01	NOZZLE	MIST NOZZLE	1
11	593 49 01-01	NUT	MIST NUT G3/8 SS	1

Z DURATIQ X6
SUPPORT WHEEL

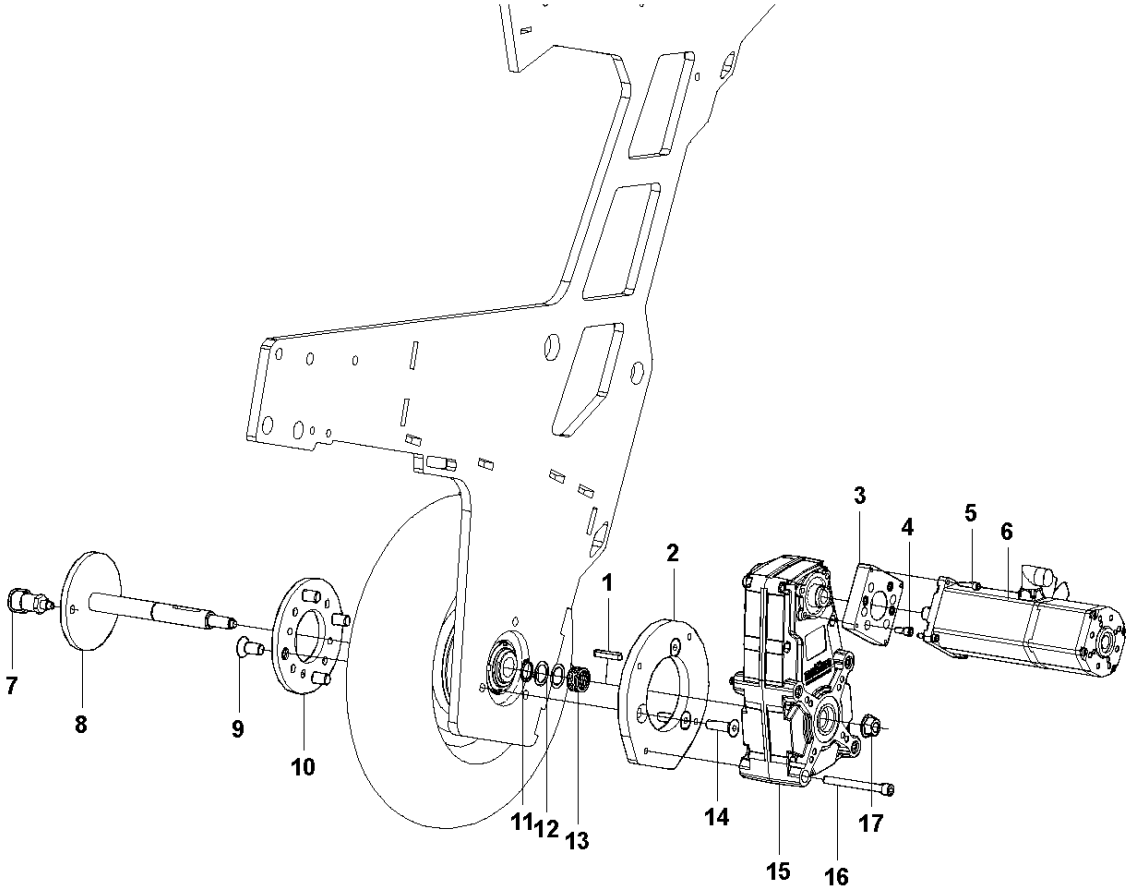


SUPPORT WHEEL

HTC X6/RX6, 967839209, 967839311, 967839312, 2021-01

Ref	Part No	Description	Remark	QTY KIT
1	593 47 00-01	SUPPORT WHEEL	SUPPORT WHEEL	1
3	593 51 38-01	SCREW	SCREW M10x25	4
4	593 47 01-01	WHEEL BRACKET	SUPPORT WHEEL BRACKET	1
5	593 49 58-01	LOCK NUT	NUT M8	4
6	593 54 23-01	BASE	SUPPORT WHEEL BASE	1
7	593 49 23-01	BOLT	SNAP BOLT Ø10	1
8	593 49 22-01	WIRE	WIRE FOR SNAP BOLT	1
9	593 49 36-01	PISTON	INDEXING PLUNGER Ø10 M16x1.5	1

AA DURATIQ X6
DRIVE MOTOR ASSY V.1

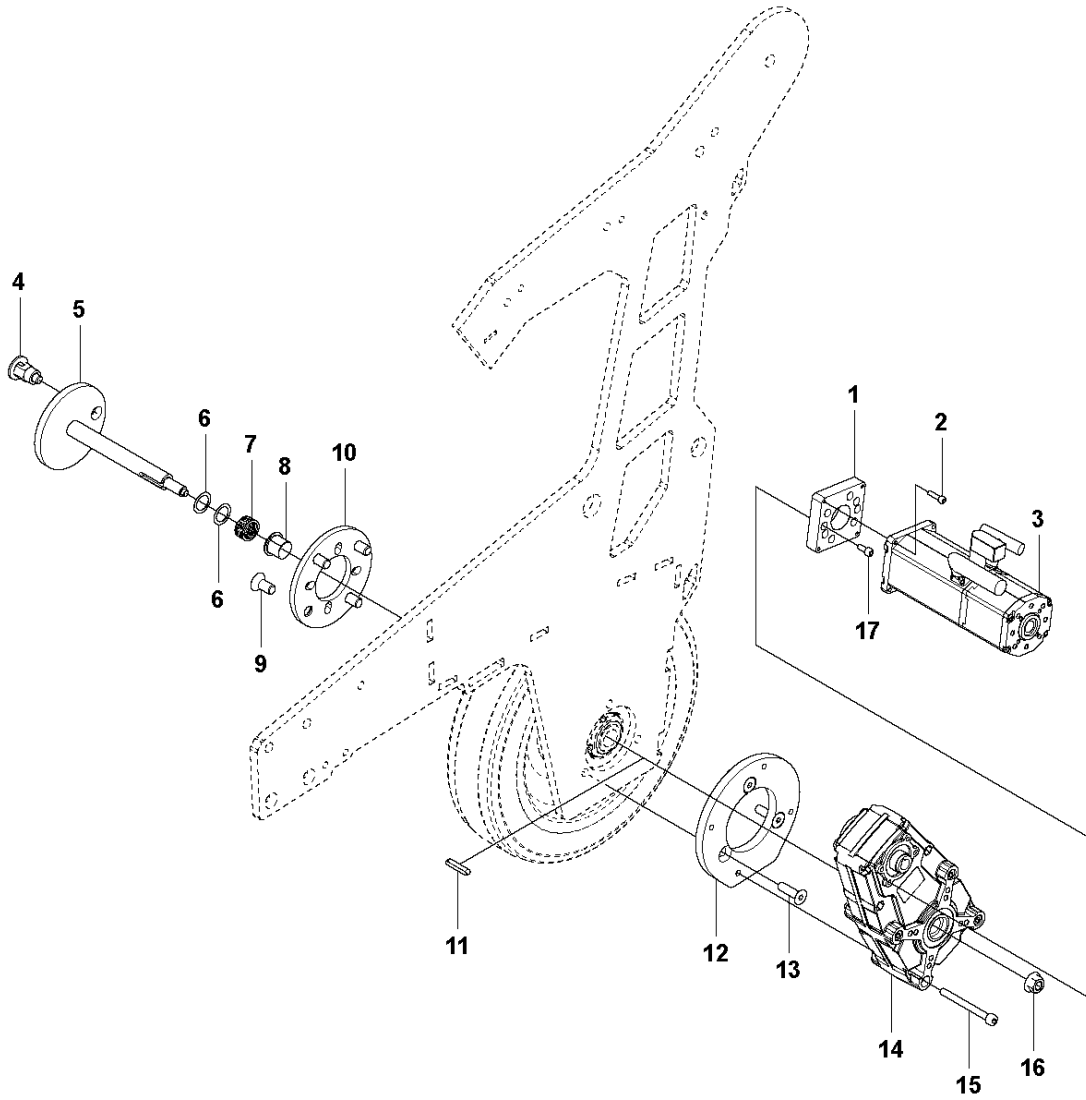


DRIVE MOTOR ASSY

HTC X6/RX6, 967839209, 967839311, 967839312, 2021-01

Ref	Part No	Description	Remark	QTY KIT
1	593 49 07-01	KEY	KEY 6X6X36	1
2	593 53 72-01	SPACER	GEAR SPACER	1
3	593 54 03-01	ADAPTER	DRIVE ADAPTER	1
4	593 50 80-01	SCREW	SCREW M6X14	4
5	593 50 38-01	SCREW	SCREW M5X20	4
6	593 58 24-01	DRIVE MOTOR	DRIVE MOTOR RIGHT	1
6	593 49 11-01	DRIVE MOTOR	DRIVE MOTOR LEFT	1
7	593 61 87-01	PISTON	INDEXING PLUNGER M10X1	1
8	593 53 70-01	DRIVE SHAFT ASSY	DRIVE SHAFT ASSY.	1
9	595 68 04-01	SCREW	SCREW M12X25	4
10	593 53 71-01	SPACER	LOCKING SPACER	1
11	593 49 63-01	CIRCLIP	CIRCLIP SGA20X1.2	1
12	593 51 44-01	RING	SHIM RING 20X28X0.3	2
13	593 49 08-01	SPRING	WAVE SPRING	1
14	593 51 40-01	SCREW	SCREW M10X35	3
15	593 49 12-01	GEARBOX	DRIVE GEARBOX	1
16	595 67 23-01	SCREW	SCREW M8X80	4
17	593 51 39-01	LOCK NUT	NUT M12	1

AA DURATIQ X6
DRIVE MOTOR ASSY V.2

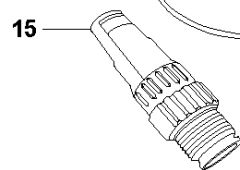
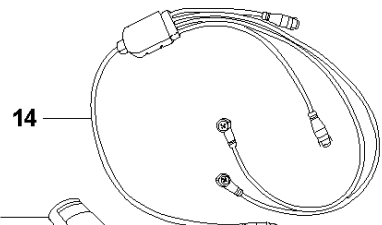
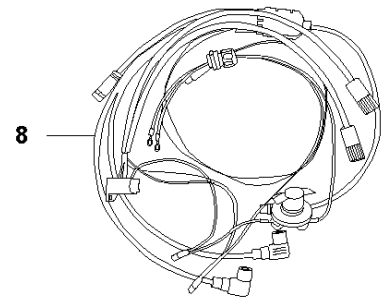
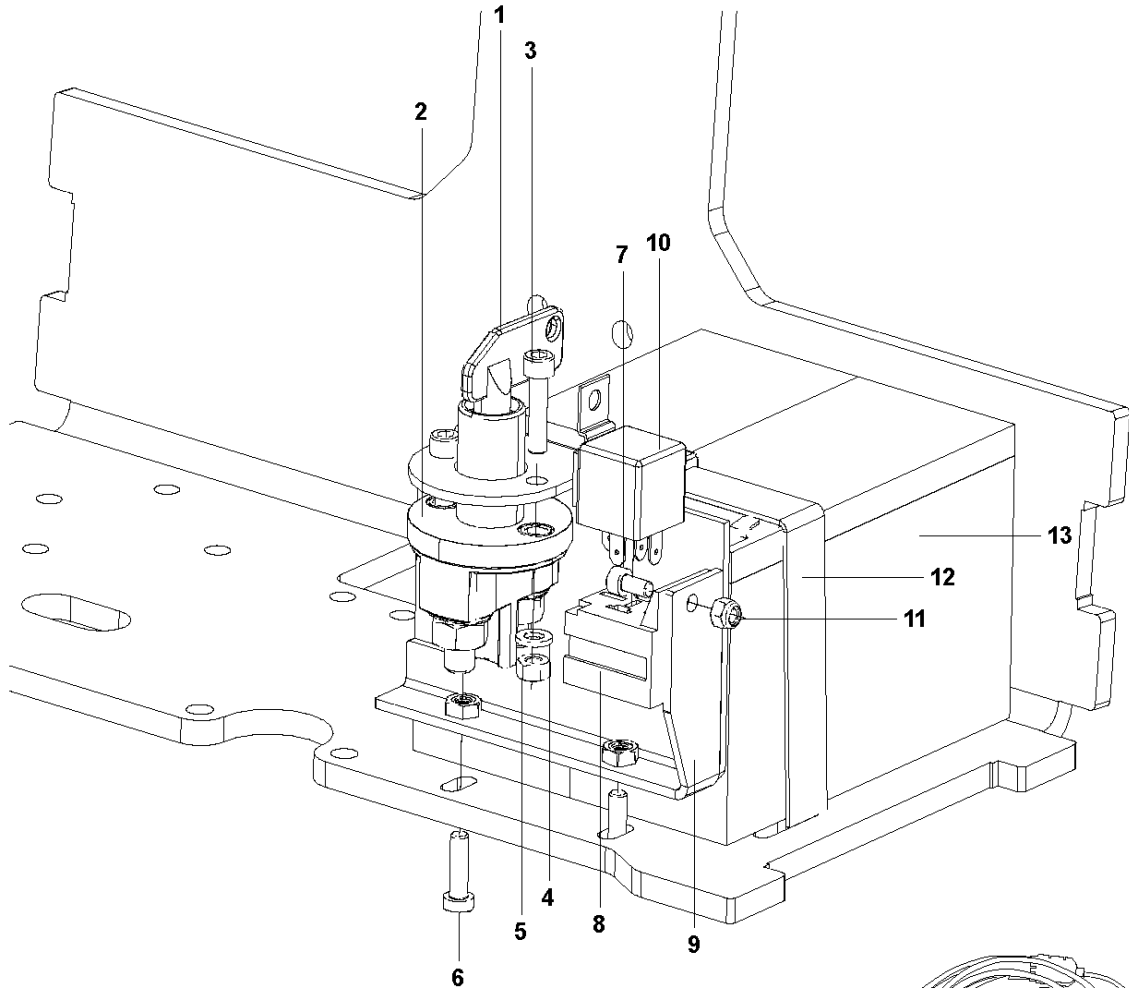


DRIVE MOTOR ASSY

HTC X6/RX6, 967839209, 967839311, 967839312, 2021-01

Ref	Part No	Description	Remark	QTY KIT
1	593 49 07-01	KEY	KEY 6X6X36	1
2	593 53 72-01	SPACER	GEAR SPACER	1
3	593 54 03-01	ADAPTER	DRIVE ADAPTER	1
4	593 50 80-01	SCREW	SCREW M6X14	4
5	593 50 38-01	SCREW	SCREW M5X20	4
6	593 58 24-01	DRIVE MOTOR	DRIVE MOTOR RIGHT	1
6	593 49 11-01	DRIVE MOTOR	DRIVE MOTOR LEFT	1
7	593 61 87-01	PISTON	INDEXING PLUNGER M10X1	1
8	593 53 70-01	DRIVE SHAFT ASSY	DRIVE SHAFT ASSY.	1
9	595 68 04-01	SCREW	SCREW M12X25	4
10	593 53 71-01	SPACER	LOCKING SPACER	1
11	593 49 63-01	CIRCLIP	CIRCLIP SGA20X1.2	1
12	593 51 44-01	RING	SHIM RING 20X28X0.3	2
13	593 49 08-01	SPRING	WAVE SPRING	1
14	593 51 40-01	SCREW	SCREW M10X35	3
15	593 49 12-01	GEARBOX	DRIVE GEARBOX	1
16	595 67 23-01	SCREW	SCREW M8X80	4
17	593 51 39-01	LOCK NUT	NUT M12	1

AB DURATIQ X6
BATTERY V.1

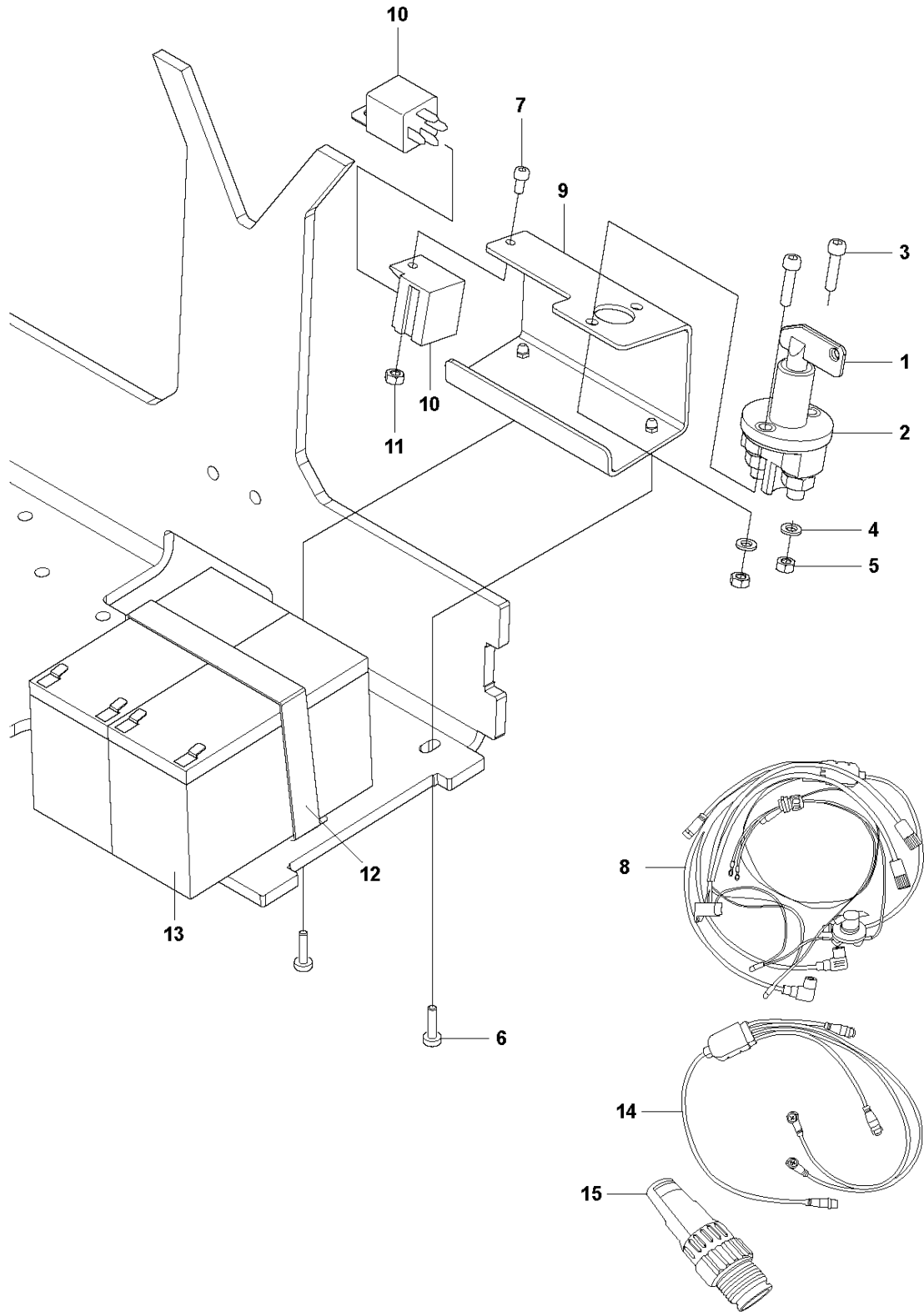


BATTERY

HTC X6/RX6, 967839209, 967839311, 967839312, 2021-01

Ref	Part No	Description	Remark	QTY KIT
1	593 55 87-01	KEY	BATTERY SWITCH KEY	1
2	564045	TBD	BATTERY SWITCH INCL. KEY	1
3	593 51 42-01	SCREW	SCREW M6X20	2
4	593 49 60-01	WASHER	WASHER M6	2
5	593 50 00-01	LOCK NUT	NUT M6	2
6	593 51 42-01	SCREW	SCREW M6X20	2
7	593 50 20-01	SCREW	SCREW M5X12	1
8	593 58 43-01	CABLE	DRIVE MOTOR CABLE KIT	1
9	593 53 80-01	HOLDER	BATTERY HOLDER	1
10	594 95 35-01	RELAY	RELAY 24V	1
11	593 50 65-01	LOCK NUT	NUT M5	1
12	595 66 00-01	BATTERY	BATTERY STRAP	1
13	593 49 16-01	BATTERY	BATTERY 12V	2
14	593 54 98-01	CABLE	CABLE DRIVE MOTOR CONTROL	1
15	593 56 09-01	RESISTOR	CAN TERMINATION RESISTOR	1

AB DURATIQ X6
BATTERY V.2

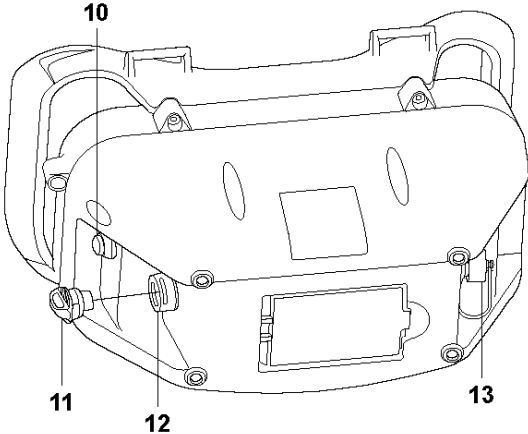
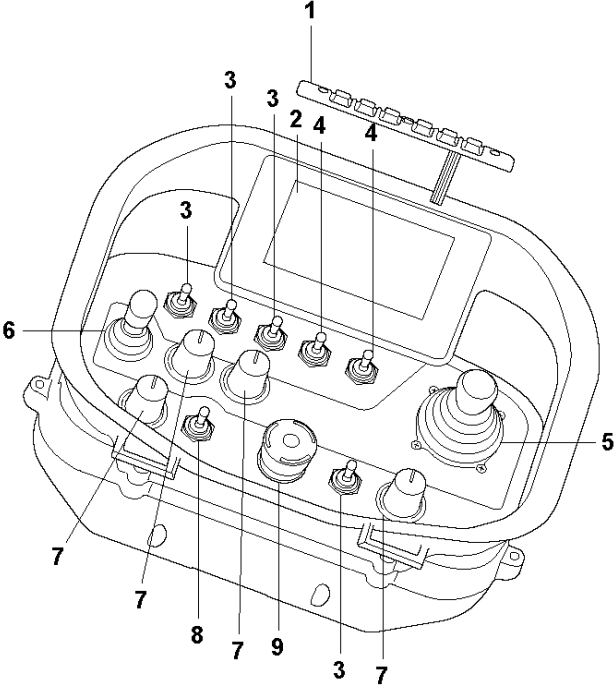


BATTERY

HTC X6/RX6, 967839209, 967839311, 967839312, 2021-01

Ref	Part No	Description	Remark	QTY KIT
1	593 55 87-01	KEY	BATTERY SWITCH KEY	1
2	564045	TBD	BATTERY SWITCH INCL. KEY	1
3	593 51 42-01	SCREW	SCREW M6X20	2
4	593 49 60-01	WASHER	WASHER M6	2
5	593 50 00-01	LOCK NUT	NUT M6	2
6	593 51 42-01	SCREW	SCREW M6X20	2
7	593 50 20-01	SCREW	SCREW M5X12	1
8	593 58 43-01	CABLE	DRIVE MOTOR CABLE KIT	1
9	593 53 80-01	HOLDER	BATTERY HOLDER	1
10	594 95 35-01	RELAY	RELAY 24V	1
11	593 50 65-01	LOCK NUT	NUT M5	1
12	595 66 00-01	BATTERY	BATTERY STRAP	1
13	593 49 16-01	BATTERY	BATTERY 12V	2
14	593 54 98-01	CABLE	CABLE DRIVE MOTOR CONTROL	1
15	593 56 09-01	RESISTOR	CAN TERMINATION RESISTOR	1

AC DURATIQ X6
REMOTE CONTROL

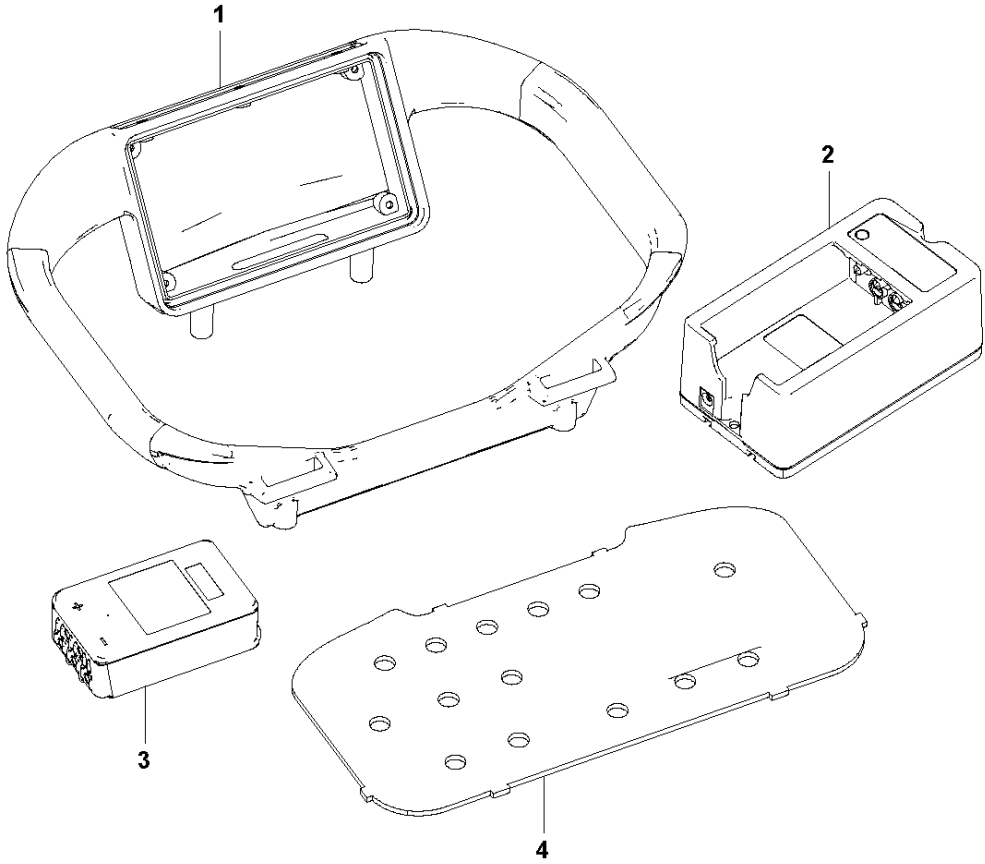


REMOTE CONTROL

HTC X6/RX6, 967839209, 967839311, 967839312, 2021-01

Ref	Part No	Description	Remark	QTY KIT
1	595 74 29-01	DISPLAY	KEYPAD DISPLAY	1
2	593 55 81-01	DISPLAY	DISPLAY 4.3"	1
3	595 74 22-01	SWITCH	TOGGLE SWITCH 1POL ON-ON	4
4	595 74 23-01	SWITCH	TOGGLE SWITCH 1POL ON-(ON)	2
5	595 74 18-01	JOYSTICK	JOYSTICK CMPL. INCL. SCREWS	1
5	595 74 20-01	JOYSTICK	JOYSTICK BELLOWS	1
6	593 55 82-01	TOGGLE SWITCH	TOGGLE SWITCH 2POL ON-OFF-ON	1
6	593 55 84-01	SWITCH	TOGGLE SWITCH BELLOWS	1
7	595 74 19-01	POTENTIOMETER	POTENTIOMETER CMPL.	4
8	593 55 83-01	TOGGLE SWITCH	TOGGLE SWITCH 1POL ON-OFF-ON	1
9	595 74 24-01	BUTTON	STOP PUSH BUTTON	1
10	595 74 25-01	BUTTON	USH BUTTON SWITCH	1
11	595 74 17-01	KEY	S-KEY CMPL. TRANSMITTER / RECEIVER V.1	1
11	599 53 48-01	REMOTE CONTROL	S-KEY CMPL. TRANSMITTER / RECEIVER V.2	1
12	593 74 02-01	CONNECTOR	S-KEY SOCKET	1
13	595 74 34-01	CABLE	CABLE CONTROL SOCKET	1
3,4,8	595 74 21-01	SWITCH	TOGGLE SWITCH RUBBER BELLOWS	7

AD DURATIQ X6
REMOTE CONTROL

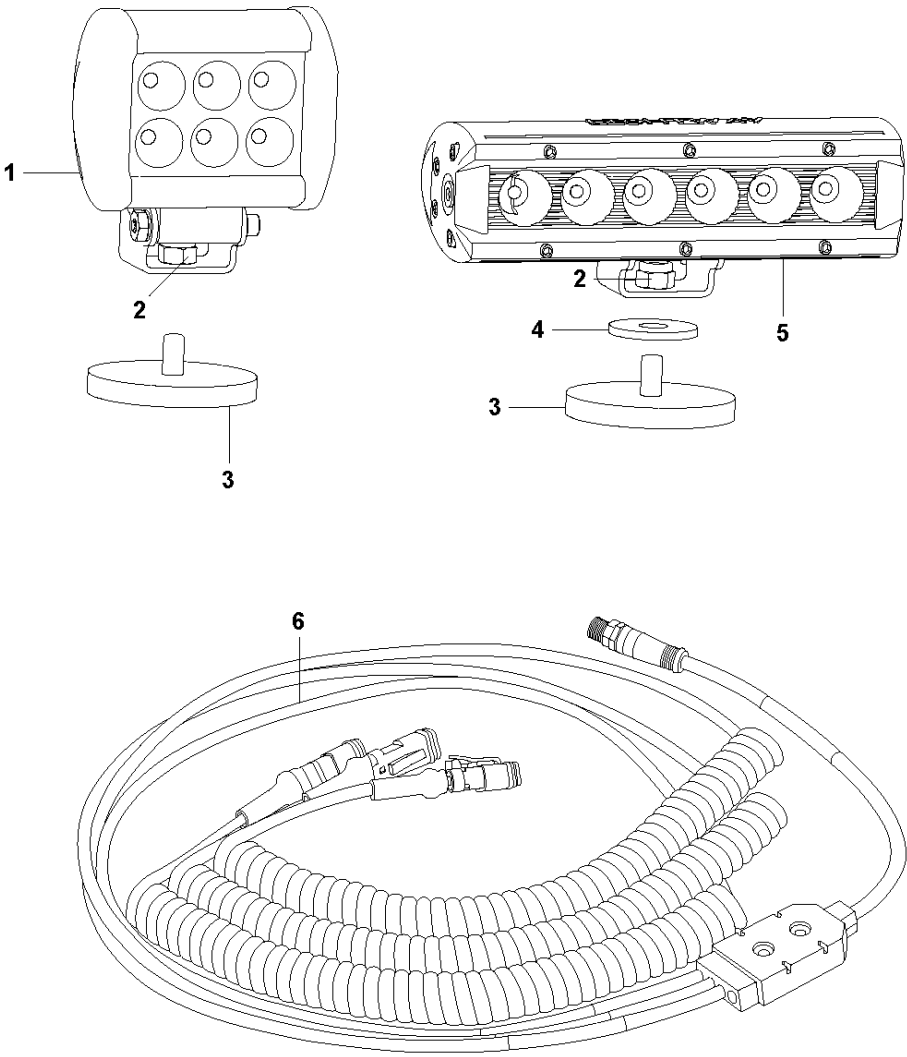


REMOTE CONTROL

HTC X6/RX6, 967839209, 967839311, 967839312, 2021-01

Ref	Part No	Description	Remark	QTY KIT
1	593 55 85-01	DISPLAY COVER	REMOTE HANDLE	1
2	593 49 14-01	BATTERY CHARGER	BATTERY CHARGER	1
3	593 49 15-01	BATTERY	BATTERY	1
4	595 74 27-02	TRANSMISSION	REMOTE OVERLAY	1

AE DURATIQ X6
LIGHT KIT



LIGHT KIT

HTC X6/RX6, 967839209, 967839311, 967839312, 2021-01

Ref	Part No	Description	Remark	QTY KIT
1	593 54 06-01	LIGHT	LIGHT FRONT W. MOUNT	1
2	593 49 98-01	LOCK NUT	LOCK NUT M8 ZP DIN 985	1
3	595 75 07-01	MAGNET	MAGNET Ø66 RUBBER COVER	1
4	593 49 62-01	WASHER	WASHER M8 8.4X26X5 ZP	1
5	593 54 05-01	LIGHT	LIGHT REAR W. MOUNT	1
6	593 54 95-01	CABLE	CABLE LIGHT KIT	1