

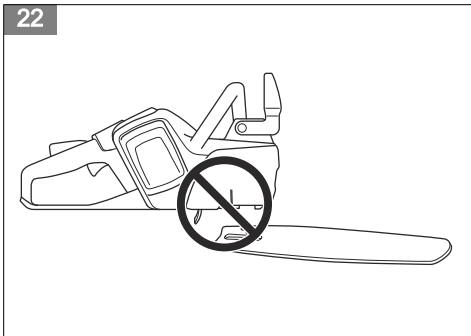
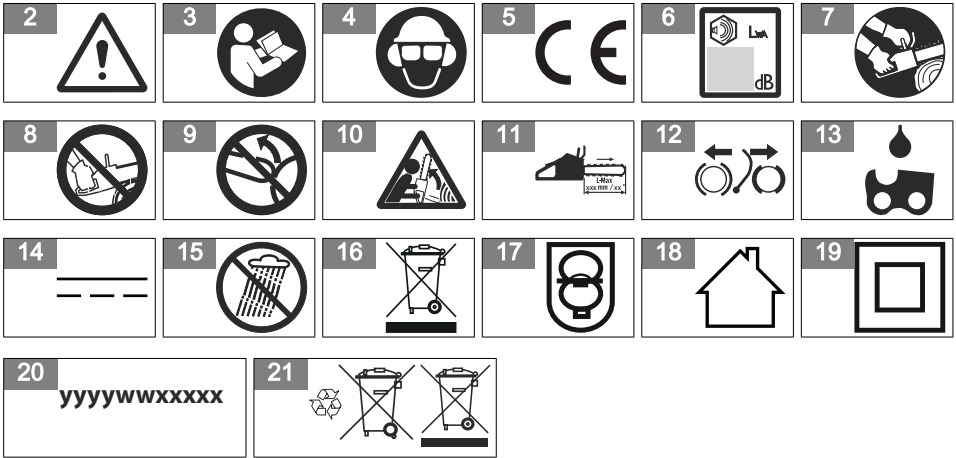
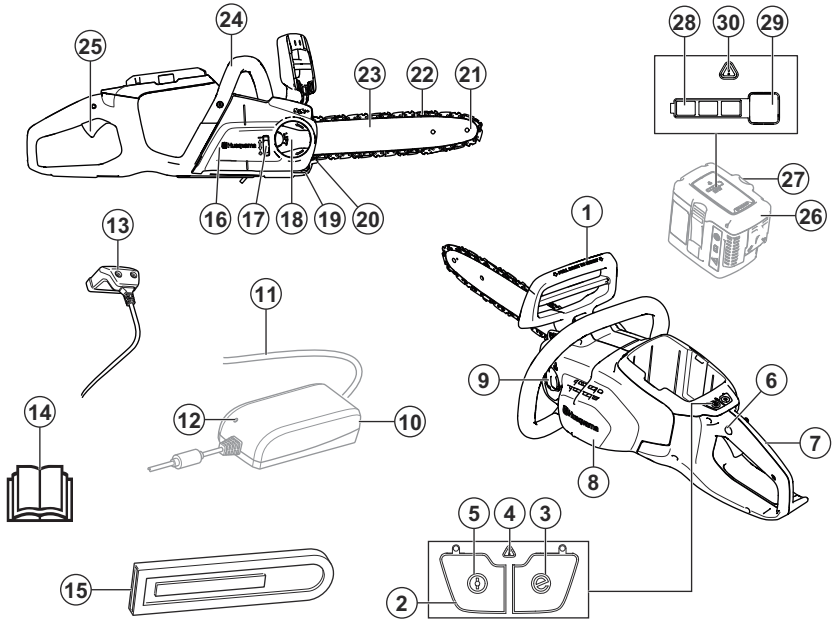


Husqvarna®



120i

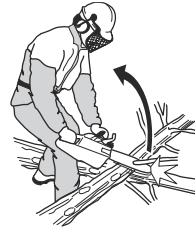
EN	Operator's manual	18-39
SV	Bruksanvisning	40-61
DA	Brugsanvisning	62-83
NO	Bruksanvisning	84-105
FI	Käyttöohje	106-127
DE	Bedienungsanweisung	128-152
FR	Manuel d'utilisation	153-177
NL	Gebbruiksaanwijzing	178-201
IT	Manuale dell'operatore	202-225
ES	Manual de usuario	226-249
PT	Manual do utilizador	250-273



24



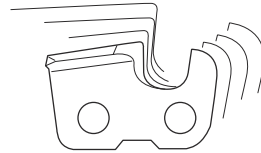
25



26



27



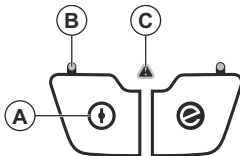
28



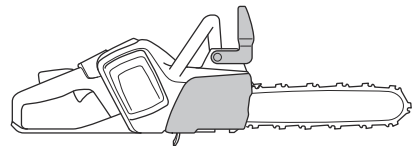
29



30



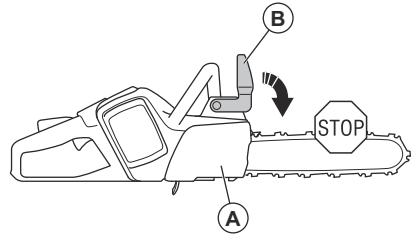
31



32



33



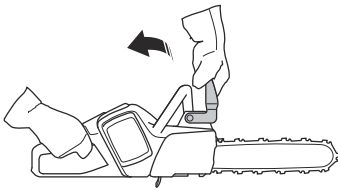
34



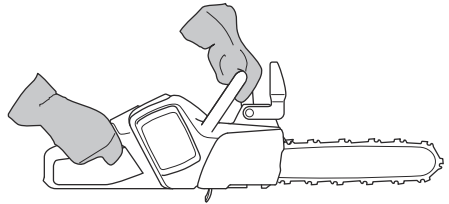
35



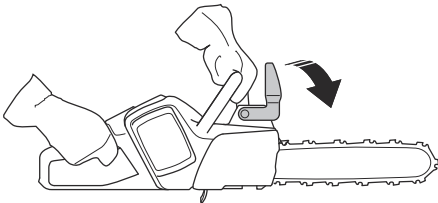
36



37



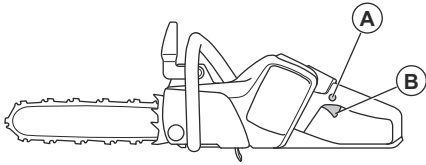
38



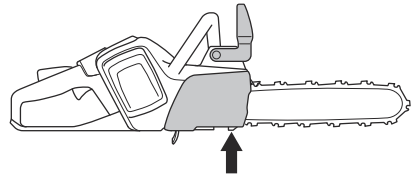
39



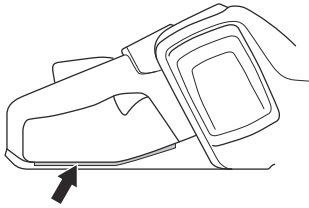
40



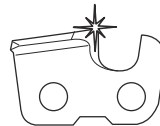
41



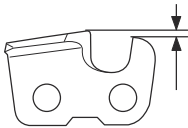
42



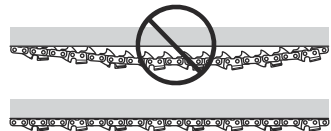
43



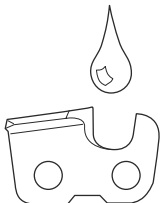
44



45



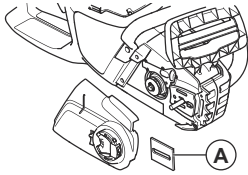
46



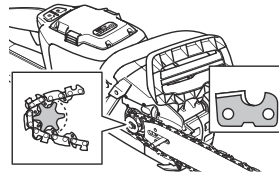
47



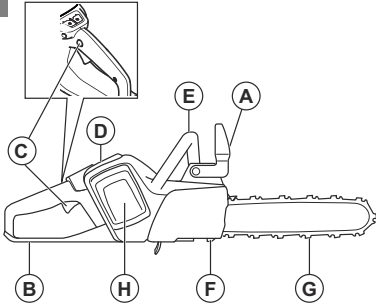
48



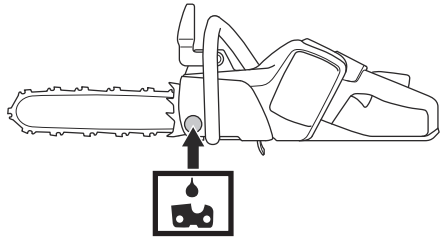
49



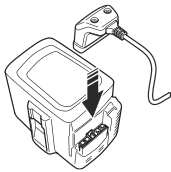
50



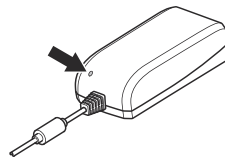
51



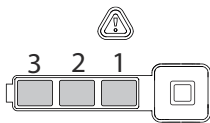
52



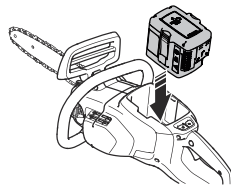
53



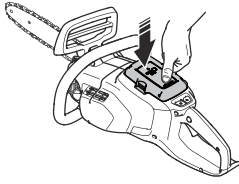
54



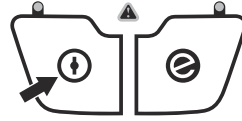
55



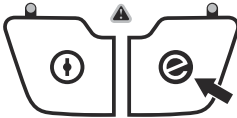
56



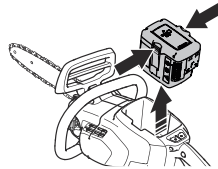
57



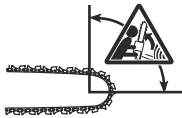
58



59



60



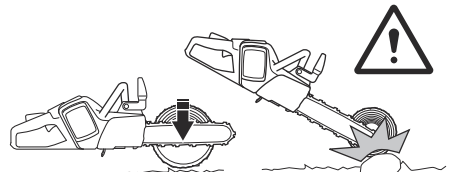
61



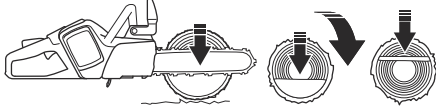
62



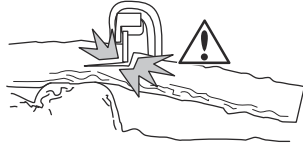
63



64



65



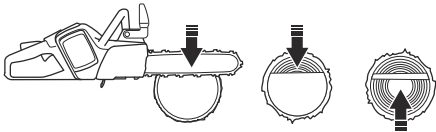
66



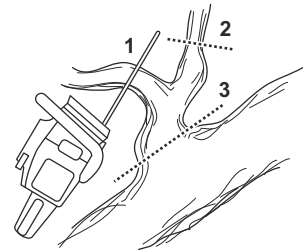
67



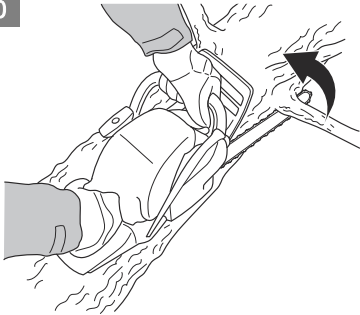
68



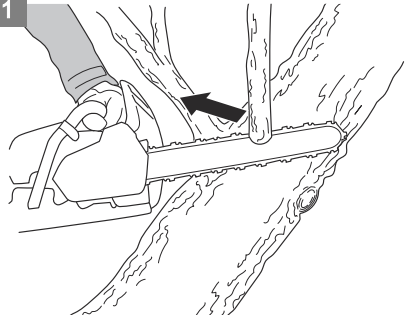
69

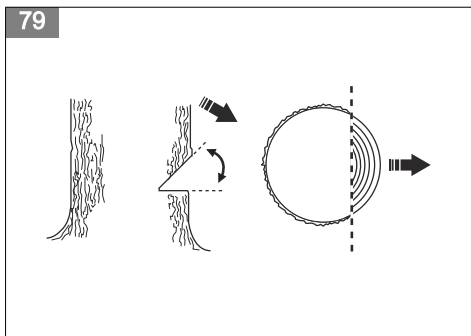
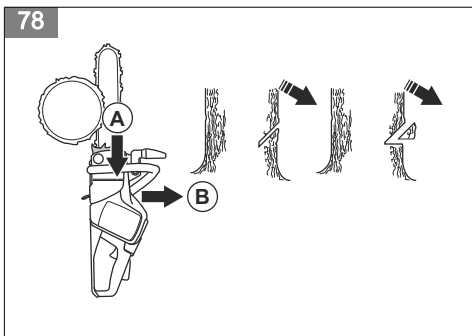
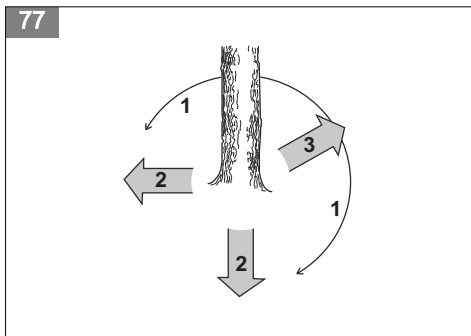
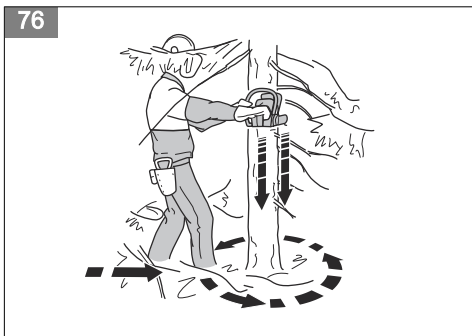
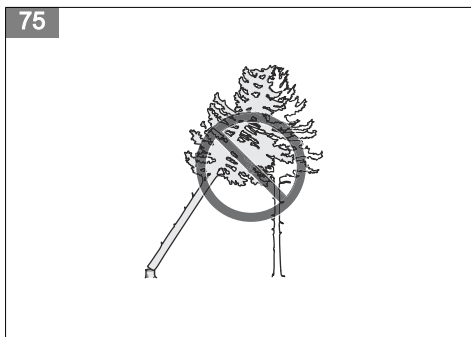
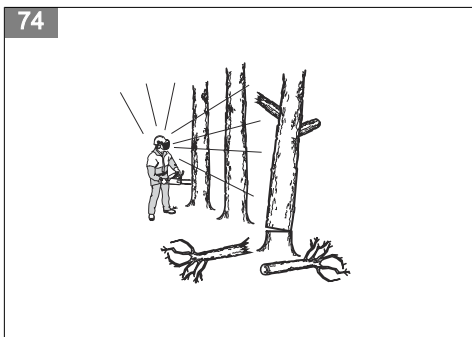
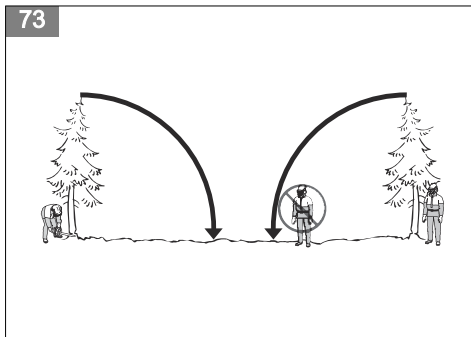
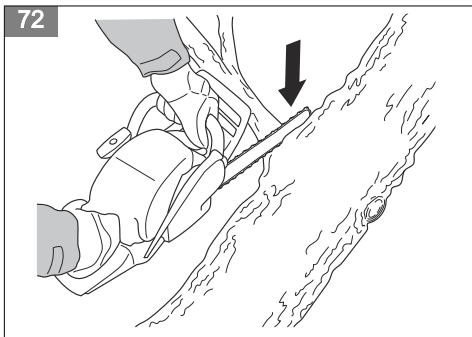


70

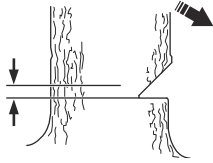


71

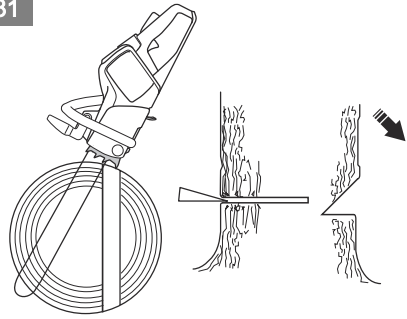




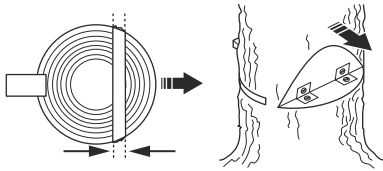
80



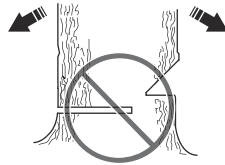
81



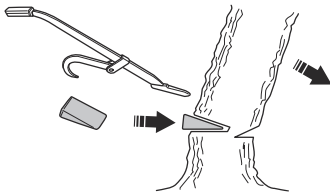
82



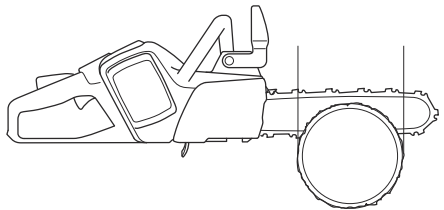
83



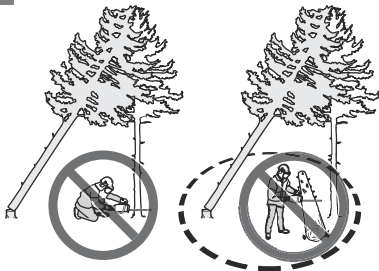
84



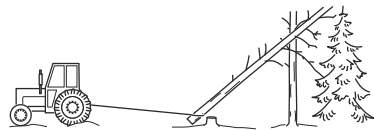
85



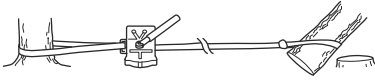
86



87



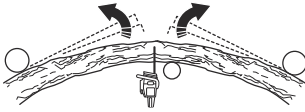
88



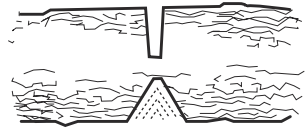
89



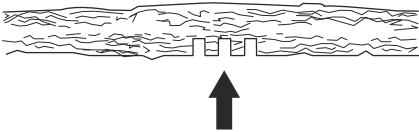
90



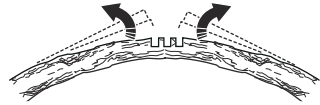
91



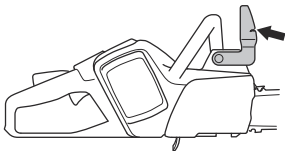
92



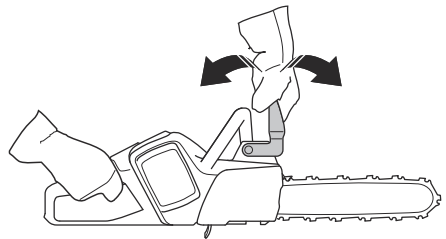
93



94



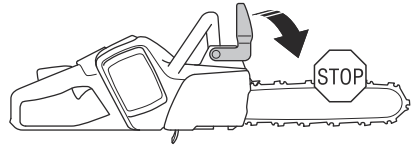
95



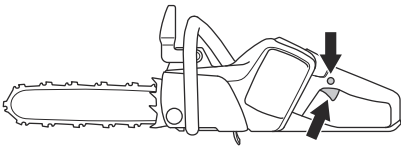
96



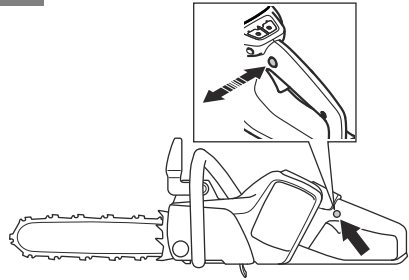
97



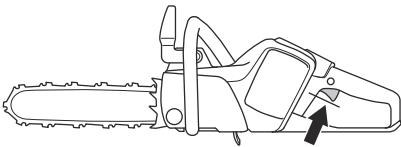
98



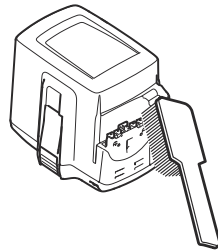
99



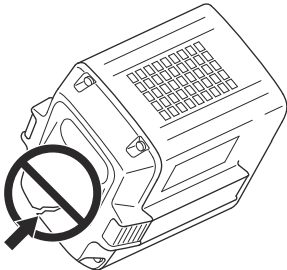
100



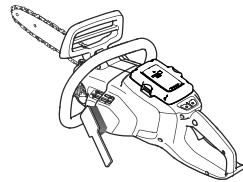
101



102



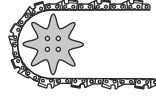
103



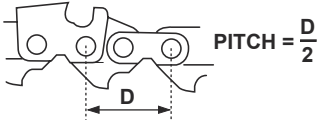
104



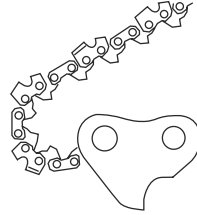
105



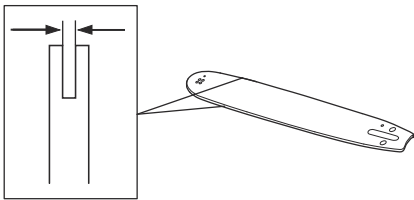
106



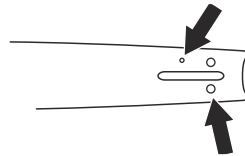
107



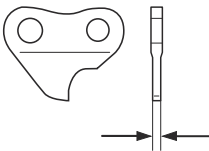
108



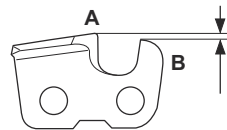
109



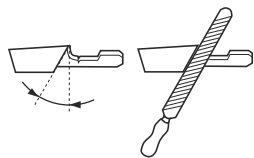
110



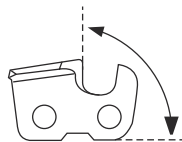
111



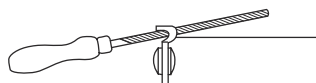
112



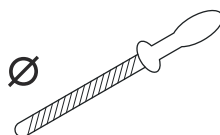
113



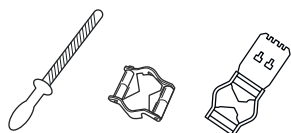
114



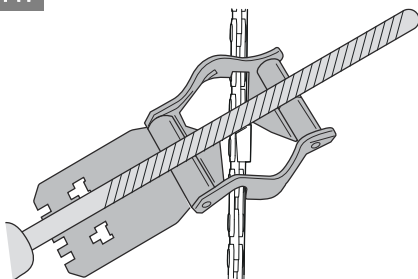
115



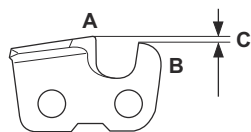
116



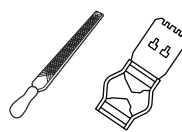
117



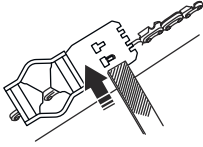
118



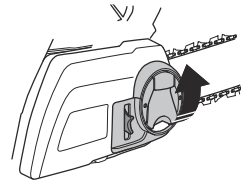
119



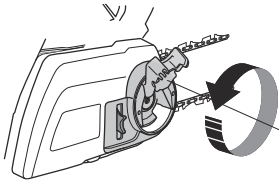
120



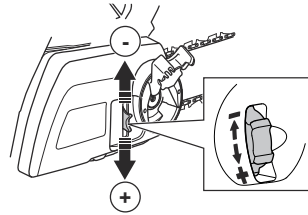
121



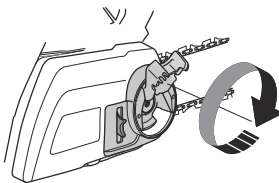
122



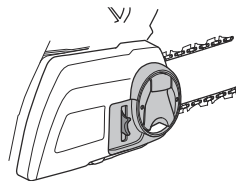
123



124



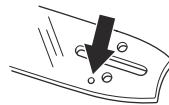
125



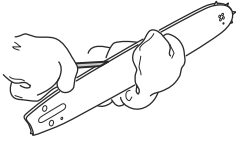
126



127



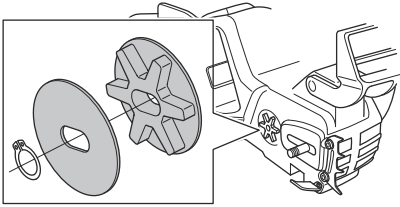
128



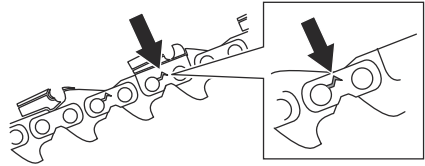
129



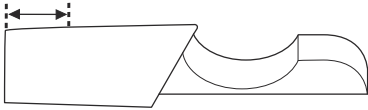
130



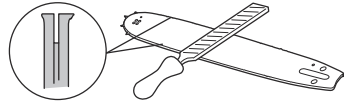
131



132



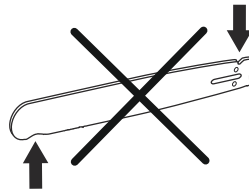
133

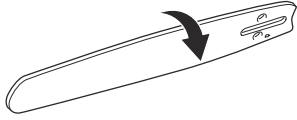


134



135





Contents

Introduction.....	18	Troubleshooting.....	34
Safety.....	19	Transportation, storage and disposal.....	35
Assembly.....	25	Technical data.....	36
Operation.....	25	Accessories.....	37
Maintenance.....	30	EC Declaration of Conformity.....	39

Introduction

Product description

This product is a chainsaw model with an electric motor.

Work is constantly in progress to increase your safety and efficiency during operation. Speak to your servicing dealer for more information.

Product overview

(Fig. 1)

1. Front hand guard
2. Keypad
3. SavE button
4. Warning indicator
5. Start/stop button
6. Power trigger lockout
7. Rear handle with right hand guard
8. Fan housing
9. Chain oil tank
10. Battery charger
11. Power cord
12. Warning indicator
13. Connector
14. Operator's manual
15. Guide bar cover
16. Drive sprocket cover
17. Chain tensioner wheel
18. Knob
19. Chain catcher
20. Spiked bumper
21. Bar tip sprocket
22. Saw chain
23. Guide bar
24. Front handle
25. Power trigger
26. Battery
27. Battery release buttons
28. Battery status
29. Button, battery status
30. Warning indicator

Intended use

This product is intended for sawing in wood.

Note: National regulations can set limit to the operation of the product.

Symbols on the product

- (Fig. 2) Risk of serious injury or death to the operator or others. Be careful and use the product correctly.
- (Fig. 3) Read the operator's manual carefully and understand the instructions before operation of the product.
- (Fig. 4) Wear approved protective helmet, hearing and eye protection.
- (Fig. 5) This product agrees with applicable EC Directives.
- (Fig. 6) Noise emissions to the environment according to European Directive 2000/14/EC and New South Wales legislation "Protection of the Environment Operations (Noise Control) Regulation 2017". Noise emission data can be found on the machine label and in the Technical data chapter.
- (Fig. 7) Both of the operator's hands must be used to operate the chainsaw.
- (Fig. 8) Do not operate the chainsaw holding it with one hand only.
- (Fig. 9) Do not let the guide bar tip touch all objects.
- (Fig. 10) Warning! Kickback can occur when the guide bar tip touches an object. This causes the guide bar to be thrown in the

direction of the operator. Risk of serious injury or death.

(Fig. 11) The direction in which the saw chain rotates and maximum length of the guide bar.

(Fig. 12) Chain brake, engaged (right). Chain brake, disengaged (left).

(Fig. 13) Chain oil fill.

(Fig. 14) Direct current.

(Fig. 15) Do not expose to rain.

(Fig. 16) **Environmental mark.** The product or package of the product is not domestic waste. Recycle it at a recycling station for electrical and electronic equipment.

(Fig. 20) The rating plate shows the serial number. **yyyy** is the production year, **ww** is the production week.

Note: Other symbols/decals on the product refer to certification requirements for some markets.

Symbols on the battery and/or on the battery charger

- (Fig. 21) Recycle this product at a recycling station for electrical and electronic equipment. (Applies to Europe only)
- (Fig. 17) Fail-safe transformer.
- (Fig. 18) Use and keep the battery charger indoors only.
- (Fig. 19) Double insulation.

Safety

Safety definitions

The definitions below give the level of severity for each signal word.



WARNING: Injury to persons.



CAUTION: Damage to the product.

Note: This information makes the product easier to use.

General power tool safety warnings



WARNING: Read all safety warnings and all instructions. Failure to follow the warnings and instructions may result in electric shock, fire and/or serious injury.

Note: Save all warnings and instructions for future reference. The term "power tool" in the warnings refers to your mains-operated (corded) power tool or battery-operated (cordless) power tool.

Work area safety

- **Keep work area clean and well lit.** Cluttered or dark areas invite accidents.
- **Do not operate power tools in explosive atmospheres, such as in the presence of flammable liquids, gases or dust.** Power tools create sparks which may ignite the dust or fumes.
- **Keep children and bystanders away while operating a power tool.** Distractions can cause you to lose control.

Electrical safety

- **Power tool plugs must match the outlet. Never modify the plug in any way. Do not use any adapter plugs with earthed (grounded) power tools.** Unmodified plugs and matching outlets will reduce risk of electric shock.
- **Avoid body contact with earthed or grounded surfaces, such as pipes, radiators, ranges and refrigerators.** There is an increased risk of electric shock if your body is earthed or grounded.
- **Do not expose power tools to rain or wet conditions.** Water entering a power tool will increase the risk of electric shock.
- **Do not abuse the cord. Never use the cord for carrying, pulling or unplugging the power tool. Keep cord away from heat, oil, sharp edges or moving parts.** Damaged or entangled cords increase the risk of electric shock.

- **When operating a power tool outdoors, use an extension cord suitable for outdoor use.** Use of a cord suitable for outdoor use reduces the risk of electric shock.
- **If operating a power tool in a damp location is unavoidable, use a ground fault circuit interrupter (GFCI) protected supply.** Use of a GFCI reduces the risk of electric shock.

Personal safety

- **Stay alert, monitor what you are doing and use common sense when operating a power tool. Do not use a power tool while you are tired or under the influence of drugs, alcohol or medication.** A moment of inattention while operating power tools may result in serious personal injury.
- **Use personal protective equipment. Always wear eye protection.** Protective equipment such as dust mask, non-skid safety shoes, hard hat, or hearing protection used for appropriate conditions will reduce personal injuries.
- **Prevent unintentional starting. Ensure the switch is in the OFF-position before connecting to a power source and/or battery pack, picking up or carrying the tool.** Carrying power tools with your finger on the switch or energising power tools that have the switch on invites accidents.
- **Remove any adjusting key or wrench before turning the power tool on.** A wrench or a key left attached to a rotating part of the power tool may result in personal injury.
- **Do not overreach. Keep proper footing and balance at all times.** This enables better control of the power tool in unexpected situations.
- **Dress properly. Do not wear loose clothing or jewellery. Keep your hair, clothing and gloves away from moving parts.** Loose clothes, jewellery or long hair can be caught in moving parts.
- **If devices are provided for the connection of dust extraction and collection facilities, ensure these are connected and properly used.** Use of dust collection can reduce dust-related hazards.
- The vibration emission during actual use of the power tool can differ from the declared total value depending on the ways in which the tool is used. Operators should identify safety measures to protect themselves that are based on an estimation of exposure in the actual conditions of use (taking account of all parts of the operating cycle such as the times when the tool is switched off and when it is running idle in addition to the trigger).

Power tool use and care

- **Do not force the power tool. Use the correct power tool for your application.** The correct power tool will do the job better and safer at the rate for which it was designed.
- **Do not use the power tool if the switch does not turn it on and off.** Any power tool that cannot be

controlled with the switch is dangerous and must be repaired.

- **Disconnect the plug from the power source and/or the battery pack from the power tool before making any adjustments, changing accessories, or storing power tools.** Such preventive safety measures reduce the risk of starting the power tool accidentally.
- **Store idle power tools out of the reach of children and do not allow persons unfamiliar with the power tool or these instructions to operate the power tool.** Power tools are dangerous in the hands of untrained users.
- **Maintain power tools. Check for misalignment or binding of moving parts, breakage of parts and any other condition that may affect the power tool's operation. If damaged, have the power tool repaired before use.** Many accidents are caused by poorly maintained power tools.
- **Keep cutting tools sharp and clean.** Properly maintained cutting tools with sharp cutting edges are less likely to bind and are easier to control.
- **Use the power tool, accessories and tool bits etc. in accordance with these instructions, taking into account the working conditions and the work to be performed.** Use of the power tool for operations different from those intended could result in a hazardous situation.

Battery tool use and care

- **Recharge only with the charger specified by the manufacturer.** A charger that is suitable for one type of battery pack may create a risk of fire when used with another battery pack.
- **Use power tools only with specifically designated battery packs.** Use of any other battery packs may create a risk of injury and fire.
- **When battery pack is not in use, keep it away from other metal objects, like paper clips, coins, keys, nails, screws or other small metal objects, that can make a connection from one terminal to another.** Shorting the battery terminals together may cause burns or a fire.
- **Under abusive conditions, liquid may be ejected from the battery; avoid contact. If contact accidentally occurs, flush with water. If liquid contacts eyes, additionally seek medical help.** Liquid ejected from the battery may cause irritations or burns.

Service

- **Have your power tool serviced by a qualified repair person using only identical replacement parts.** This will ensure that the safety of the power tool is maintained.

Chain saw safety warnings

- **Keep all parts of the body away from the saw chain when the chain saw is operating. Before you start the chain saw, make sure the saw chain is not contacting anything.** A moment of inattention while

operating chain saws may cause entanglement of you clothing or body with the saw chain.

- **Always hold the chain saw with your right hand on the rear handle and your left hand on the front handle.** Holding the chain saw with a reversed hand configuration increases the risk of personal injury and should never be done.
- **Hold the power tool by insulated gripping surface only, because the saw chain may contact hidden wiring or its own cord.** Saw chain contacting a "live" wire may make exposed metal parts of the power tool "live" and could give the operator an electric shock.
- **Wear safety glasses and hearing protection. Further protective equipment for head, hands, legs and feet is recommended.** Adequate protective clothing will reduce personal injury by flying debris or accidental contact with the saw chain.
- **Do not operate a chain saw in a tree.** Operation of chain saw while up a tree may result in personal injury.
- **Always keep proper footing and operate the chain saw only when standing on fixed, secure and level surface.** Slippery or unstable surfaces such as ladders may cause a loss of balance or control of the chain saw.
- **When cutting a limb that is under tension be alert for spring back.** When the tension in the wood fibres is released the spring loaded limb may strike the operator and/or throw the chain saw out of control.
- **Use extreme caution when cutting brush and saplings.** The slender material may catch the saw chain and be whipped forward toward you or pull you off balance.
- **Carry the chain saw by the front handle with the chain saw switched off and away from your body. When transporting or storing the chain saw always fit the guide bar cover.** Proper handling of the chain saw will reduce the likelihood of accidental contact with the moving saw chain.
- **Follow instruction for lubricating, chain tensioning and changing accessories.** Improperly tensioned or lubricated saw chain may either brake or increase the chance of kickback.
- **Keep handles dry, clean and free from oil and grease.** Greasy, oily handles are slippery causing loss of control.
- **Cut wood only. Do not use chain saw for purposes not intended. For example: do not use chain saw for cutting plastic, masonry or nonwood building materials.** Use of the chain saw for operations different than intended could result in a hazardous situation.
- We strongly recommend that first time users practice sawing logs on a saw horse or cradle.

Causes and operator prevention of kickback

Kickback may occur when the nose or tip of the guide bar touches an object, or when the wood closes in and

pinches the saw chain in the cut. Tip contact in some cases may cause a sudden reverse reaction, kicking the guide bar up and back towards the operator. Pinching the saw chain along the top of the guide bar may push the guide bar rapidly back towards the operator. Either of these reactions may cause you to lose control of the saw which could result in serious personal injury. Do not rely exclusively upon the safety devices built into your saw. As a chain saw user, you should take several steps to keep your cutting jobs free from accident or injury. Kickback is a result of tool misuse and/or incorrect operating procedures or conditions and can be avoided by taking proper precautions as given below:

- **Maintain a firm grip, with thumbs and fingers encircling the chain saw handles, with both hands on the saw and position your body and arm to allow you to resist kickback forces.** Kickback forces can be controlled by the operator, if proper precautions are taken. Do not let go of the chain saw.
- **Do not overreach and do not cut above shoulder height.** This helps prevent unintended tip contact and enables better control of the chain saw in unexpected situations.
- **Only use replacement bars and chains specified by the manufacturer.** Incorrect replacement bars and chains may cause chain breakage and/or kickback.
- **Follow the manufacturer's sharpening and maintenance instructions for the saw chain.** Decreasing the depth gauge height can lead to increased kickback.

SAVE THESE INSTRUCTIONS.

General safety instructions



WARNING: Read the warning instructions that follow before you use the product.

- This product is a dangerous tool if you are not careful or if you use the product incorrectly. This product can cause serious injury or death to the operator or others. It is very important that you read and understand the contents of this operator's manual.
- Do not change the product without an approval from the manufacturer. Do not use a product that has been changed by others and always use original accessories. Changes that are not approved from the manufacturer can result in serious injury or death to the operator or others.
- Long term inhalation of chain oil fumes and sawdust can cause health problems.
- This product produces an electromagnetic field during operation. This field may under some circumstances interfere with active or passive medical implants. To decrease the risk of serious injury or death, we recommend persons with medical implants to turn to their physician and the medical implant manufacturer before operating this product.

Safety instructions for operation



WARNING: Read the warning instructions that follow before you use the product.

- The information in this operator's manual is not a replacement for professional knowledge and experience. If you do not feel safe in the situation that you are in, stop the product. Turn to your servicing dealer or a professional chainsaw operator. Do not attempt any task that you feel unsure of!
- Turn to your servicing dealer or Husqvarna if you have questions about the operation of the product. We can give you information about how to operate your product effectively and safely. Participate in a training class in chainsaw operation if possible. Your servicing dealer, forestry school or your library can give you information about training materials and classes that are available.
- You must understand the effects of kickback and how to prevent them before you use this product. See *Kickback information on page 27* and *Common questions about kickback on page 26* for instructions.
- Do not use a product, battery or battery charger that is defective.
- Do not touch a rotating saw chain. It can cause serious injuries or death.
- Do not use the product if you are tired, while under the influence of alcohol or drugs, medicine or anything that could have a negative effect on your vision, alertness, coordination or judgment.
- Working in bad weather is tiring and often brings added risk. Due to the added risk, it is not recommended to use the machine in very bad weather, for instance in dense fog, heavy rain, strong winds, intense cold, risk of lightning, etc.
- Do not start a product unless the guide bar, saw chain and all covers are assembled correctly. If not, the drive sprocket can come loose and cause serious injuries. See *Assembly on page 25* for instructions.(Fig. 22)
- Look around you. Make sure that there is no risk that persons or animals touch or influence on your control of the product.(Fig. 23)
- Do not let children use or be near the product. The product is easy to start and children may be able to start it if they are not fully supervised. This can mean a risk of serious injury.
- Remove the battery when you do not have full view of the product or leave the product for any length of time.
- You must be stable on your feet in order to have full control of the product. Do not use the product if you are on a ladder or in a tree. Do not use the product if you are not on stable ground.(Fig. 24)
- If you are not careful, the risk of kickback increases. A kickback can occur if the kickback zone of the

guide bar accidentally touches a branch, tree or other objects.(Fig. 25)

- Do not hold the product with one hand. This product is not safely controlled with one hand.
- Do not use the product above shoulder height and do not try to cut with the guide bar tip. (Fig. 26)
- Do not use a product in a situation where you can not call for help if an accident occur.
- Stop the product and engage the chain brake before you move the product. Hold the product with the guide bar and saw chain pointing rearward. Put on a transportation guard on the guide bar before transportation or before you move it for any distance.
- When you put the product on the ground, engage the chain brake and have a constant view of the product. Stop the product and remove the battery before you leave your product for any length of time.
- There is a risk that wood chips get stuck in the drive system. This can cause the saw chain to get stuck. Always stop the product and remove the battery before you clean it.
- Make sure that you can move around safely. Examine the conditions and the terrain around you for possible obstacles such as roots, rocks, branches, ditches and more. Be careful when you do work on sloping ground.
- The vibration level increases if you cut with cutting equipment that is incorrect or not correctly sharpened. Cutting hardwoods, such as broadleaf trees, causes more vibration than cutting softwoods, such as conifers. (Fig. 27)
- Overexposure to vibration can lead to circulatory damage or nerve damage in persons who have decreased circulation. Speak to your physician if you experience symptoms of overexposure to vibration. Such symptoms include numbness, loss of feeling, tingling, pricking, pain, loss of strength, changes in skin colour or condition. These symptoms usually occur in the fingers, hands or wrists increases in cold temperatures.
- Prevent situations which you think is beyond your capability.
- It is not possible to include each possible situation you can face when you use this product. Always be careful and use your common sense.(Fig. 28)

Personal protective equipment



WARNING: Read the warning instructions that follow before you use the product.

(Fig. 29)

- Most chainsaw accidents occur when the saw chain touches the operator. You must use approved personal protective equipment during operation. Personal protective equipment does not give you full protection from injuries but it decreases the degree of injury if an accident occurs. Speak to your

servicing dealer for recommendations about which equipment to use.

- Your clothing must be close-fitting but not limit your movements. Regularly do a check of the condition of the personal protective equipment.
- Use an approved protective helmet.
- Use approved hearing protection. Long-term exposure to noise can result in permanent damage to the hearing.
- Use protective glasses or a face visor to decrease the risk of injury from thrown objects. The product can throw objects, such as wood chips, small pieces of wood and more, at large force. This can result in serious injury, especially to the eyes.
- Use gloves with saw protection.
- Use pants with saw protection.
- Use boots with saw protection, steel toe-cap and non-slip sole.
- Always have a first-aid kit with you.
- Risk of sparks. Keep fire extinguishing tools and a shovel near to prevent forest fires.

Safety devices on the product



WARNING: Read the warning instructions that follow before you use the product.

- Do not use a product with defective safety devices.
- Do a check of the safety devices regularly. Refer to *Maintenance and checks of the safety devices on the product on page 31*.
- If the safety devices are defective, speak to your Husqvarna servicing dealer.

Keypad

The warning indicator flashes if the chain brake is engaged or if there is a risk of overload. The overload protection temporarily stops the product and you can not use the product until the temperature restores. If the indicator shows a solid light, turn to your servicing dealer. (Fig. 30)

The automatic stop function

The product has an automatic stop function that stops the product if you do not use it for one minute.

Chain brake and front hand guard

Your product has a chain brake that stops the saw chain if you get a kickback. The chain brake decreases the risk of accidents but only you can prevent them.(Fig. 31)



WARNING: Do not engage in situations where there is a risk of kickback. Be careful when you use your product and make sure that the kickback zone of the guide bar does not touch an object.

(Fig. 32)

The chain brake engages (A) manually by your left hand or automatically by the inertia release mechanism. Push the front hand guard (B) forward to engage the chain brake manually. This movement starts a spring-loaded mechanism that stops the drive sprocket.(Fig. 33)

How the chain brake is engaged is in relation to the force of the kickback and position of the product. If you get an intense kickback while the kickback zone is farthest away from you, the chain brake engages by the inertia release. If the kickback is small or the kickback zone is nearer you, the chain brake engages manually by your left hand.(Fig. 34)

Use the chain brake as a parking brake when you start the product and when you move short distances. This decreases the risk that you or a person near you touches the saw chain.(Fig. 35)

Pull the front hand guard rearward to disengage the chain brake.(Fig. 36)

A kickback can be very sudden and intense. Most kickbacks are small and do not always engage the chain brake. If a kickback occurs when you use the product, hold tightly around the handles and do not let go. (Fig. 37)

The front hand guard also decreases the risk to touch the saw chain if your hand lets go of the front handle. (Fig. 38)

In the felling position you cannot engage the chain brake manually. The chain brake can in this position only be engaged by the inertia release mechanism.(Fig. 39)

Power trigger lockout

The power trigger lockout prevents accidental operation of the power trigger. If you put your hand around the handle and press the power trigger lockout (A), it releases the power trigger (B). If you release the handle, the power trigger and the power trigger lockout move back to their initial positions.(Fig. 40)

Chain catcher

The chain catcher catches the saw chain if it breaks or comes loose. If you have the correct chain tension, the risk decreases. You also decrease the risk if you do the correct maintenance on the guide bar and saw chain. See *To tighten the saw chain on page 33* and *Maintenance on page 30* for instructions.(Fig. 41)

Right hand guard

The right hand guard works as a protection for your hand if the saw chain breaks or comes loose. It also prevents interference from branches and twigs when you use the product.(Fig. 42)

Battery safety



WARNING: Read the warning instructions that follow before you use the product.

- Only use the BLi batteries that we recommend for your product. The batteries are software encrypted.
- Use the BLi batteries that are rechargeable as a power supply for the related Husqvarna products only. To prevent injury, do not use the battery as a power supply for other devices.
- Risk of electrical shock. Do not connect the battery terminals to keys, screws or other metal. This can cause a short circuit of the battery.
- Do not use batteries that are non-rechargeable.
- Do not put objects into the air slots of the battery.
- Keep the battery away from sunlight, heat or open flame. The battery can cause burns and/or chemical burns.
- Keep the battery away from rain and wet conditions.
- Keep the battery away from microwaves and high pressure.
- Do not try to disassemble or break the battery.
- Do not let battery acid touch your skin. Battery acid causes injuries to the skin, corrosion and burns. If you get battery acid in your eyes, do not rub but flush with water for minimum 15 minutes. If battery acid has touched your skin, you must clean the skin with a large quantity of water and soap. Get medical aid.
- Use the battery in temperatures between -10 °C (14 °F) and 40 °C (104 °F).
- Do not clean the battery or the battery charger with water. See *To do a check of the battery and the battery compartment on page 31*.
- Do not use a defective or damaged battery.
- Keep batteries in storage away from metal objects such as nails, screws or jewelry.
- Keep the battery away from children.

Battery charger safety



WARNING: Read the warning instructions that follow before you use the product.

- Risk of electrical shock or short circuit if the safety instructions are not obeyed.
- Use an approved grounded mains socket that is not damaged.
- Do not use other battery chargers than the one supplied for your product. Only use Husqvarna QC chargers when you charge Husqvarna replacement batteries BLi.
- Do not try to disassemble the battery charger.
- Do not use a defective or damaged battery charger.

- Do not lift the battery charger by the power cord. To disconnect the battery charger from a mains socket, pull out the plug. Do not pull the power cord.
- Keep all cables and extension leads away from water, oil and sharp edges. Make sure that the cable is not caught between doors, fences or similar.
- Do not use the battery charger near flammable materials or materials that can cause corrosion. Make sure that the battery charger is not covered. Pull out the plug to the battery charger if there is smoke or fire.
- Only charge the battery indoors in a location with good airflow and away from sunlight. Do not charge the battery outdoors. Do not charge the battery in wet conditions.
- Only use the battery charger where the temperature is between 5 °C (41 °F) and 40 °C (104 °F). Use the charger in an environment which has a good airflow, dry and free from dust.
- Do not put objects into the cooling slots of the battery charger.
- Do not connect the battery charger terminals to metal objects as this can short circuit the battery charger.
- Use approved wall sockets that are not damaged.

Safety instructions for maintenance



WARNING: Read the warning instructions that follow before you do maintenance on the product.

- Remove the battery before you do maintenance, other checks or assemble the product.
- The operator must only do the maintenance and servicing shown in this operator's manual. Turn to your servicing dealer for maintenance and servicing of a larger extension.
- Do not clean the battery or the battery charger with water. Strong detergent can cause damage to the plastic.
- If you do not do maintenance, it decreases the life cycle of the product and increases the risk of accidents.
- Special training is necessary for all servicing and repair work, especially for the safety devices on the product. If not all checks in this operator's manual are approved after you have done maintenance, turn to your servicing dealer. We guarantee that there are professional repairs and servicing available for your product.
- Only use original spare parts.

Safety instructions for the cutting equipment



WARNING: Read the warning instructions that follow before you use the product.

- Only use the guide bar/saw chain combinations and filing equipment that we recommend. Refer to *Accessories on page 37* for instructions.
- Use protective gloves when you use or do maintenance on the saw chain. A saw chain that does not move can also cause injuries.
- Keep the cutting teeth correctly sharpened. Obey the instructions and use the recommended file gauge. A saw chain that is damaged or incorrectly sharpened increases the risk of accidents.(Fig. 43)
- Keep the correct depth gauge setting. Obey the instructions and use the recommended depth gauge setting. Too large depth gauge setting increases the risk of kickback.(Fig. 44)
- Make sure that the saw chain has the correct tension. If the saw chain is not tight against the guide bar, the saw chain can derail. An incorrect saw chain tension increases wear on the guide bar, saw chain and chain drive sprocket. Refer to *To tighten the saw chain on page 33*.(Fig. 45)
- Do maintenance on the cutting equipment regularly and keep it correctly lubricated. If the saw chain is not correctly lubricated, the risk of wear on the guide bar, saw chain and chain drive sprocket increases. (Fig. 46)

Assembly

Introduction



WARNING: Read and understand the safety chapter before you assemble the product.

To assemble the guide bar and saw chain



WARNING: Always remove the battery before you assemble or do maintenance on the product.

1. Disengage the chain brake. (Fig. 47)
2. Loosen the knob and remove the drive sprocket cover (chain brake) and the transportation guard (A). (Fig. 48)
3. Put the guide bar on top of the bar bolt. Steer the guide bar to its most rear position. Lift the saw chain above the drive sprocket and engage it in the groove on the guide bar. Start on the top edge of the guide bar. (Fig. 49)

4. Make sure that the edges of the cutting links face forward on the top edge of the guide bar.
5. Assemble the drive sprocket cover and steer the chain adjuster pin to the hole in the guide bar.
6. Make sure that the drive links of the saw chain fit correctly on the drive sprocket.
7. Make sure that the saw chain is correctly engaged in the groove in the guide bar.
8. Tighten the saw chain. See *To tighten the saw chain on page 33* for instructions.

To assemble a spiked bumper

To assemble a spiked bumper, speak to your servicing dealer.

Operation

Introduction



WARNING: Read and understand the safety chapter before you use the product.

To do a function check before you use the product

1. Do a check of the chain brake (A) to make sure that it operates correctly and that it is not damaged.
2. Do a check of the rear right hand guard (B) to make sure that it is not damaged.
3. Do a check of the power trigger and the power trigger lockout (C) to make sure that they operate correctly and that they are not damaged.
4. Do a check of the keypad (D) to make sure that it operates correctly.
5. Make sure that there is no oil on the handles (E).
6. Do a check to make sure that all parts are correctly attached and not damaged or missing.
7. Do a check of the chain catcher (F) to make sure that it is attached correctly.
8. Do a check of the chain tension (G).
9. Charge the battery (H) and make sure that it is correctly attached to the product.

10. Make sure that the saw chain stops when you release the power trigger. (Fig. 50)

Chain oil

All Husqvarna chainsaws have an automatic chain lubrication system. On some models the oil flow is also adjustable.

Think about the following when you select a chain oil:

(Fig. 51)

- The oil tank lasts approximately three battery charges. This applies only if you use the correct chain oil. If the chain oil is too thin, it will not last that long.
- Chain oil must show good adherence to the saw chain and also keep its flow quality during warm summer and cold winter weather.
- Use an oil of the right grade (suitable viscosity range) to agree with the air temperature. In temperatures below 0°C (32°F) some oils become too thick. This can cause the oil pump to overload and result in damage to the oil pump components.
- Use the recommended cutting equipment. A guide bar that is too long will use more chain oil.
- Turn to your servicing dealer when you select a chain oil.



WARNING: Do not use waste oil! Waste oil is dangerous to you and the environment. Waste oil also causes damage to the oil pump, the guide bar and the saw chain.



WARNING: If the lubrication of the cutting equipment is not sufficient, it can cause the saw chain to break. This can cause serious injury or death to the operator.



CAUTION: If you use vegetable based chain oil, clean the groove in the guide bar and saw chain before long-term storage. Otherwise there is a risk of the saw chain oxidizing, which causes the saw chain to become stiff and that the bar tip sprocket gets clogged.

Common questions about kickback

- **Will the hand always engage the chain brake during a kickback?**

No. It is necessary to use some force to push the front hand guard forward. If you do not use the force necessary, the chain brake will not be engaged. You must also hold the handles of the product stable with two hands during work. If a kickback occurs, it is possible that the chain brake does not stop the saw

chain before it touches you. There are also some positions in which your hand can not touch the front hand guard to engage the chain brake.

- **Will the inertia release mechanism always engage the chain brake during kickback?**

No. First, the chain brake must operate correctly. Refer to *Maintenance on page 30* for instructions about how to do a check of the chain brake. We recommend you to do this each time before you use the product. Second, the force of the kickback must be large to engage the chain brake. If the chain brake is too sensitive, it can engage during rough operation.

- **Will the chain brake always protect me from injury during a kickback?**

No. The chain brake must operate correctly to give protection. The chain brake must also be engaged during a kickback to stop the saw chain. If you are near the guide bar, it is possible that the chain brake does not have time to stop the saw chain before it hits you.



WARNING: Only you and the correct working technique can prevent kickbacks.

To connect the battery charger

1. Connect the battery charger to the voltage and frequency that is specified on the rating plate.
2. Put the plug in a grounded socket outlet.

Note: The battery does not charge if the battery temperature is more than 50 °C/122 °F. If the temperature is more than 50 °C/122 °F, the battery charger makes the battery become cool.

To charge the battery

Note: Charge the battery if it is the first time that you use it. A new battery is only 30% charged.

1. Connect the battery to the battery charger. (Fig. 52)
2. Make sure that the green charging light on the battery charger comes on. That means that the battery is connected correctly to the battery charger. (Fig. 53)
3. When all LEDs on the battery come on, the battery is fully charged. (Fig. 54)
4. To disconnect the battery charger from the mains socket, pull the plug. Do not pull the cable.
5. Disconnect the battery from the battery charger.

Note: Refer to the battery and battery charger manuals for more information.

To start the product

1. Do a check of the power trigger and power trigger lockout. See *To do a check of the power trigger lockout on page 31*.
2. Push the front hand guard forward to engage the chain brake. (Fig. 38)
3. Put the battery in the battery holder. (Fig. 55)
4. Press on the lower part of the battery until you hear a click sound.



CAUTION: If the battery does not move into the battery holder easily, it is not attached correctly into the battery holder.

(Fig. 56)

5. Press and hold the start/stop button until the green LED light comes on. (Fig. 57)

To use the SavE function

This product has a power saving function, SavE. The SavE function decreases the chain speed and gives the longest operation time from the battery.

Note: The SavE function does not decrease the cutting power of the product.

1. Press the SavE button on the keypad.
2. Make sure that the green LED comes on.
3. Press the SavE button again to disconnect the function. The green LED goes out. (Fig. 58)

To stop the product

1. Press and hold the start/stop button on the keypad until the green LED light comes off. (Fig. 57)
2. Pull out the battery and press the battery release buttons to remove the battery from the battery holder. (Fig. 59)



WARNING: Remove the battery when you do not use or when you do not have full vision of the product. This is to prevent accidental start.

Kickback information



WARNING: A kickback can cause serious injury or death to the operator or others. To decrease the risk you must know the causes of kickback and how to prevent them.

A kickback occurs when the kickback zone of the guide bar touches an object. A kickback can occur suddenly

and with large force, which throws the product in the direction of the operator.(Fig. 60)

Kickback always occurs in the cutting plane of the guide bar. Usually, the product is thrown against the operator but can also move in a different direction. It is how you use the product when the kickback occurs that causes the direction of the movement.(Fig. 61)

Kickback only occurs if the kickback zone of the guide bar touches an object. Do not let the kickback zone touch an object.(Fig. 60)

A smaller bar tip radius decreases the force of the kickback.

Use a low kickback saw chain to decrease the effects of kickback. Do not let the kickback zone touch an object.



WARNING: No saw chain fully prevents kickback. Always obey the instructions.

To use the cutting technique



WARNING: Use full power when you cut and decrease the speed to idle speed after each cut.



CAUTION: Do not let the motor operate for too long without load. This can cause damage to the motor.

1. Put the trunk on a saw horse or runners. (Fig. 62)



WARNING: Do not cut trunks in a pile. That increases the risk of kickback and can cause serious injury or death.

2. Remove the cut pieces from the work area.



WARNING: Cut pieces in the work area increase the risk of kickback and that you cannot keep your balance.

To cut a trunk on the ground

1. Cut through the trunk on the pull stroke. Keep full power but be prepared for sudden accidents. (Fig. 63)



WARNING: Make sure that the saw chain does not touch the ground when you complete the kerf.

2. Cut approximately $\frac{2}{3}$ through the trunk and then stop. Turn the trunk and cut from the opposite side. (Fig. 64)

To cut a trunk that has support on one end



WARNING: Make sure that the trunk does not break during cutting. Obey the instructions below.

(Fig. 65)

1. Cut on the push stroke approximately $\frac{1}{3}$ through the trunk.
2. Cut through the trunk on the pull stroke until the two kerfs touch. (Fig. 66)

To cut a trunk that has support on two ends



WARNING: Make sure that the saw chain does not get caught in the trunk during cutting. Obey the instructions below.

(Fig. 67)

1. Cut on the pull stroke approximately $\frac{1}{3}$ through the trunk.
2. Cut through the remaining part of the trunk on the push stroke to complete the cut. (Fig. 68)



WARNING: Stop the motor if the saw chain gets caught in the trunk. Use a lever to open up the kerf and remove the product. Do not try to pull the product out by hand. This can result in injury when the product suddenly breaks free.

To use the limbing technique

Note: For thick branches, use the cutting technique. Refer to *To use the cutting technique on page 27*.



WARNING: There is a high accident risk when you use the limbing technique. Refer to *Kickback information on page 27* for instructions how to prevent kickback.



WARNING: Cut limbs one by one. Be careful when you remove small limbs and do not cut bushes or many small limbs at the same time. Small limbs can get caught in the saw chain and prevent safe operation of the product.

Note: Cut the limbs piece by piece if it is necessary. (Fig. 69)

1. Remove the limbs on the right side of the trunk.
 - a) Keep the guide bar on the right side of the trunk and keep the body of the product against the trunk.

- b) Select the applicable cutting technique for the tension in the branch. (Fig. 70)



WARNING: If you are not sure about how to cut the branch, speak to a professional chainsaw operator before you continue.

2. Remove the limbs on the top of the trunk.
 - a) Keep the product on the trunk and let the guide bar move along the trunk.
 - b) Cut on the push stroke. (Fig. 71)
3. Remove the limbs on the left side of the trunk.
 - a) Select the applicable cutting technique for the tension in the branch. (Fig. 72)



WARNING: If you are not sure about how to cut the branch, speak to a professional chainsaw operator before you continue.

Refer to *To cut trees and branches that are in tension on page 30* for instructions on how to cut branches that are in tension.

To use the tree felling technique



WARNING: You must have experience to fell a tree. If possible, engage in a training course in chainsaw operation. Speak to an operator with experience for more knowledge.

To keep a safe distance

1. Make sure that persons around you keep a safe distance at a minimum of 2 $\frac{1}{2}$ tree lengths. (Fig. 73)
2. Make sure that no person is in the risk zone before or during felling. (Fig. 74)

To calculate the felling direction

1. Examine in which direction it is necessary for the tree to fall. The goal is to fell it in a position where you can limb and cut the trunk easily. It is also important that you are stable on your feet and can move about safely.



WARNING: If it is dangerous or not possible to fell the tree in its natural direction, fell the tree in a different direction.

2. Examine the natural fall direction of the tree. For example the tilt and bend of the tree, wind direction, the location of the branches and weight of snow.
3. Examine if there are obstacles, for example other trees, power lines, roads and/or buildings around.
4. Look for signs of damage and rot in the stem.



WARNING: Rot in the stem can mean a risk that the tree falls before you complete the cutting.

5. Make sure the tree has no damaged or dead branches that can break off and hit you during felling.
6. Do not let the tree fall onto a different standing tree. It is dangerous to remove a caught tree and there is a high accident risk. Refer to *To free a trapped tree on page 29*. (Fig. 75)



WARNING: During critical felling operations, lift your hearing protection immediately when the sawing is complete. It is important that you hear sounds and warning signals.

To clear the trunk and prepare your path of retreat

Cut off all branches from your shoulder height and down.

1. Cut on the pull stroke from the top down. Make sure that the tree is between you and the product. (Fig. 76)
 2. Remove undergrowth from the work area around the tree. Remove all cut off material from the work area.
 3. Do a check of the area for obstacles such as stones, branches and holes. You must have a clear path of retreat when the tree starts to fall. Your path of retreat must be approximately 135 degrees away from the felling direction.
1. The danger zone
 2. The path of retreat
 3. The felling direction

(Fig. 77)

To fell a tree

Husqvarna recommends you to make the directional cuts and then use the safe corner method when you fell a tree. The safe corner method helps you to make a correct felling hinge and control the felling direction.



WARNING: Do not fell trees with a diameter that is more than two times larger than the guide bar length. For this, you must have special training.

To make the directional cuts

1. Make the directional cuts. Run the directional cuts 1/4 of the diameter of the tree. Make a 45° angle between the top cut and bottom cut.

- a) Make the top cut first. Align the felling direction mark (A) of the product with the felling direction of the tree (B). Stay behind the product and keep the tree on your right side. Cut with a pull stroke.
 - b) Make the bottom cut. Make sure that the end of the bottom cut is at the same point as the end of the top cut. (Fig. 78)
2. Make sure that the directional cut line is perfectly horizontal and at right angles (90°) to the felling direction. The directional cut line goes through the point where the two directional cuts touch. (Fig. 79)

To make the felling cut

Note: The felling cut is made on the opposite side of the tree from the directional cuts.

1. Make the felling cut approximately 3-5 cm/1.5-2 in above the bottom directional cuts. The cut must be perfectly horizontal. (Fig. 80)
2. If you have a spiked bumper, put it behind the felling hinge.
3. Cut on the pull stroke, use full power and forward the saw chain/guide bar slowly into the tree. Make sure that the tree does not fall in an unwanted direction.
4. Operate a wedge or breaking bar into the cut when the cut has accurate depth. (Fig. 81)
5. Complete the felling cut parallel with the directional cut line. Make sure that the distance between them is at a minimum of 1/10 of the trunk diameter. The section of the trunk that is not cut is the felling hinge. The felling hinge controls the felling direction. (Fig. 82)



WARNING: You have no control of the felling direction if the felling hinge is gone or if it is too thin. This also applies to if you have not made the directional cuts and felling cut correctly.

(Fig. 83)

6. At this time, the tree will fall by its own force or with the aid of a wedge or breaking bar. (Fig. 84)

Note: Use a guide bar that is longer than the diameter of the tree. This helps you to make the felling cut and directional cuts with one cutting stroke each. See *Accessories on page 37* to find out which bar lengths we recommended for your product.

(Fig. 85)

To free a trapped tree



WARNING: It is very dangerous to remove a trapped tree and there is a high accident risk. Keep out of the risk zone and do not try to fell a trapped tree.

(Fig. 86)

The safest procedure is to use one of the following winches:

- Tractor-mounted (Fig. 87)
- Portable (Fig. 88)

To cut trees and branches that are in tension

1. Figure out which side of the tree or branch that is in tension.
2. Figure out where the point of maximum tension is. (Fig. 89)
3. Examine which is the safest procedure to release the tension.

Note: In some situations the only safe procedure is to use a winch and not your product.

4. Keep a position where the tree or branch can not hit you when the tension is released. (Fig. 90)
5. Make one or more cuts of sufficient depth necessary to decrease the tension. Cut at or near the point of maximum tension. Make the tree or branch break at the point of maximum tension. (Fig. 91)



WARNING: Do not cut straight through a tree or branch that is in tension.



WARNING: Be very careful when you cut a tree that is in tension. There is a risk that the tree moves quickly before or after you cut it. Serious injury can occur if you are in an incorrect position or if you cut incorrectly.

6. If you must cut across tree/branch, make 2 to 3 cuts, 1 in. apart and with a depth of 2 in. (Fig. 92)
7. Continue to cut more into the tree until the tree/branch bends and the tension is released. (Fig. 93)
8. Cut the tree/branch from the opposite side of the bend, after the tension is released.

Maintenance

Introduction



WARNING: Read and understand the safety chapter before you do maintenance on the product.

The following is a list of the maintenance steps that you must do on the product. See *Maintenance on page 30* for more information.

Maintenance schedule



WARNING: Remove the battery before you do maintenance.

Maintenance	Before use	Weekly	Monthly
Clean the external parts of the product.	X		
Make sure that the power trigger and the power trigger lockout function correctly from a safety point of view.	X		
Clean the chain brake and make sure that it operates safely. Make sure that the chain catcher is not damaged. Replace it if necessary.	X		
Turn the guide bar for more equal wear. Make sure that the lubrication hole in the guide bar is not clogged. Clean the bar groove.	X		
Make sure that the cutter and cutter guard have no cracks and that they are not damaged. Replace the cutter or cutter guard if they have cracks or if they have been exposed to impact.	X		
Make sure that the guide bar and saw chain have sufficient oil.	X		

Maintenance	Before use	Weekly	Monthly
Do a check of the saw chain. Look for cracks and make sure that the saw chain is not rigid or unusually worn. Replace if necessary.	X		
Sharpen the saw chain. Do a check of its tension and condition. Do a check for wear on the drive sprocket and replace is necessary.	X		
Clean the air inlet on the product.	X		
Make sure that the screws and nuts are tight.	X		
Make sure that the keypad works correctly and that it is not damaged.	X		
Use a file to remove burrs from the edges of the guide bar.		X	
Do a check of the connections between the battery and the product. Do a check of the connection between the battery and the battery charger.			X
Empty and clean the oil tank.			X
Blow through the product and battery cooling slots gently with compressed air.			X

Maintenance and checks of the safety devices on the product

To do a check of the front hand guard

Regularly do a check of the front hand guard and the inertia brake release.

1. Make sure that the front hand guard is not damaged and that there are no defects, such as cracks. (Fig. 94)
2. Make sure that the front hand guard moves freely and that it is attached safely to the product. (Fig. 95)
3. Put the product, with the motor off, on a stump or other stable surface.
4. Hold the rear handle and let go of the front handle. Let the product fall against the stump. (Fig. 96)
5. Make sure that the chain brake engages as the guide bar hits the stump.

To do a check of the brake trigger

1. Put the product on stable ground and start it. See *Introduction on page 25*.



WARNING: Make sure that the saw chain does not touch the ground or other objects.

2. Wrap your fingers and thumbs around the handles and hold the product tight. (Fig. 37)
3. Apply full power and tilt your left wrist against the front hand guard to engage the chain brake. The saw chain must stop immediately. (Fig. 97)



WARNING: Do not let go of the front handle!

To do a check of the power trigger lockout

1. Make sure that the power trigger and power trigger lockout move freely and that the return spring works correctly. (Fig. 98)
2. Press down the power trigger lockout and make sure that it goes back to its initial position when you release it. (Fig. 99)
3. Make sure that the power trigger is locked at the idle position when the power trigger lockout is released. (Fig. 100)
4. Start the product and apply full power.
5. Release the power trigger and make sure that the saw chain stops and stays stationary. If the saw chain rotates when the power trigger is in the idle position, turn to your servicing dealer.

To do a check of the chain catcher

1. Make sure that there is no damage on the chain catcher.
2. Make sure that the chain catcher is stable and attached to the body of the product. (Fig. 41)

To do a check of the keypad

1. Start the product. See *Operation on page 25*
2. Press the start/stop button again.
3. Make sure that the product stops when you press and hold the button. The green LED will go off. (Fig. 57)

To do a check of the battery and the battery compartment

1. Clean the battery and the battery compartment with a soft brush. (Fig. 101)

2. Make sure that the cooling slots and battery connectors are clean.
3. Make sure that the battery is not damaged and there are no other defects, such as cracks. (Fig. 102)

To do a check of the battery charger

1. Make sure that the battery charger and the power supply cord is not damaged. Look for cracks and other defects.

To clean the cooling system

The product has a cooling system that keeps the temperature of the product as low as possible.

The cooling system includes an air intake on the left side of the product and a fan on the motor.

1. Clean the cooling system with a brush weekly or more frequently if necessary. (Fig. 103)
2. Make sure that the cooling system is not dirty or blocked.



CAUTION: A dirty or blocked cooling system can cause the product to become too hot. This causes damage to the piston and cylinder.

To sharpen the saw chain

Information about the guide bar and saw chain



WARNING: Use protective gloves when you use or do maintenance on the saw chain. A saw chain that does not move can also cause injuries.

Replace a worn or damaged guide bar or saw chain with the guide bar and saw chain combination recommended by Husqvarna. This is necessary to keep the safety functions of the product. Refer to *Accessories on page 37*, for a list of replacement bar and chain combinations that we recommend.

- Guide bar length, in/cm. Information about the guide bar length can usually be found on the rear end of the guide bar.(Fig. 104)
- Number of teeth on bar tip sprocket (T).(Fig. 105)
- Chain pitch, in. The distance between the drive links of the saw chain must align with the distance of the teeth on the bar tip sprocket and drive sprocket.(Fig. 106)
- Number of drive links. The number of drive links is decided by the type of guide bar.(Fig. 107)
- Bar groove width, in/mm. The groove width in guide bar must be the same as the chain drive links width. (Fig. 108)
- Chain oil hole and hole for chain tensioner. The guide bar must align with product.(Fig. 109)
- Drive link width, mm/in.(Fig. 110)

General information about how to sharpen the cutters

Do not use a blunt saw chain. If the saw chain is blunt, you must apply more pressure to push the guide bar through the wood. If the saw chain is very blunt, there will be no wood chips but sawdust.

A sharp saw chain eats through the wood and the wood chips becomes long and thick.

The cutting tooth (A) and the depth gauge (B) together makes the cutting part of the saw chain, the cutter. The difference in height between the two gives the cutting depth (depth gauge setting).(Fig. 111)

When you sharpen the cutter, think about the following:

- Filing angle.(Fig. 112)
- Cutting angle.(Fig. 113)
- File position.(Fig. 114)
- Round file diameter.(Fig. 115)

It is not easy to sharpen a saw chain correctly without the correct equipment. Use Husqvarna file gauge. This will help you to keep maximum cutting performance and the kickback risk at a minimum.



WARNING: The force of the kickback increases a lot if you do not follow the sharpening instructions.

Note: Refer to *To sharpen the cutters on page 32* for information about sharpening of the saw chain.

To sharpen the cutters

1. Use a round file and a file gauge to sharpen the cutting teeth. (Fig. 116)

Note: Refer to *Accessories on page 37* for information about which file and gauge that Husqvarna recommends for your saw chain.

2. Apply the file gauge correctly on to the cutter. Refer to the instruction supplied with the file gauge.
3. Move the file from the inner side of the cutting teeth and out. Decrease the pressure on the pull stroke. (Fig. 117)
4. Remove material from one side of all the cutting teeth.
5. Turn the product around and remove material on the other side.
6. Make sure that all cutting teeth are the same length.

General information about how to adjust the depth gauge setting

The depth gauge setting (C) decreases when you sharpen the cutting tooth (A). To keep maximum cutting performance you must remove filing material from the depth gauge (B) to receive the recommended depth

gauge setting. See *Accessories on page 37* for instructions about how to receive the correct depth gauge setting for your saw chain.

(Fig. 118)



WARNING: The risk of kickback increases if the depth gauge setting is too large!

To adjust the depth gauge setting

Before you adjust the depth gauge setting or sharpen the cutters, refer to *To sharpen the cutters on page 32*, for instructions. We recommend you to adjust the depth gauge setting after each third operation that you sharpen the cutting teeth.

We recommend that you use our depth gauge tool to receive the correct depth gauge setting and bevel for the depth gauge.

(Fig. 119)

1. Use a flat file and a depth gauge tool to adjust the depth gauge setting. Only use Husqvarna depth gauge tool to get the correct depth gauge setting and bevel for the depth gauge.
2. Put the depth gauge tool on the saw chain.

Note: See the package of the depth gauge tool for more information about how to use the tool.

3. Use the flat file to remove the part of the depth gauge that extends through the depth gauge tool. (Fig. 120)

To tighten the saw chain



WARNING: A saw chain without the correct tension can come loose from the guide bar and cause serious injury or death.

The more you use a saw chain the longer it becomes. It is important to adjust the saw chain regularly.

Do a check of the saw chain tension each time you refill with chain oil.

Note: A new saw chain has a running-in period during which you must do a check of the tension more frequently.

1. Fold the knob out until it opens. (Fig. 121)
2. Turn the knob counterclockwise to loosen the drive sprocket cover. (Fig. 122)
3. Turn the chain tensioner wheel to adjust the tension on the saw chain. The saw chain must be tight against the guide bar. (Fig. 123)

Note: Turn the wheel down (+) for more tension and up (-) for less tension. The saw chain is

tightened correctly when you can turn it easily by hand but it is tight against the guide bar.

4. Turn the knob clockwise to tighten the bar knob. (Fig. 124)
5. Fold down the knob to lock the tension. (Fig. 125)

To do a check of the saw chain lubrication

Do a check of the saw chain lubrication each third battery charge.

1. Start the product and let it run at 3/4 power. Hold the bar approximately 20 cm (8 inches) above a light coloured surface.
2. If the saw chain lubrication is correct, you will see a clear line of oil on the surface after 1 minute. (Fig. 126)
3. If the saw chain lubrication is not correct, do the following checks.
 - a) Do a check of the oil channel in the guide bar to make sure that it is not blocked. Clean if necessary. (Fig. 127)
 - b) Do a check of the groove in the edge of the guide bar to make sure that it is clean. Clean if necessary. (Fig. 128)
 - c) Make sure that the bar tip sprocket turns freely and that the lubricating hole in the guide bar tip sprocket is not blocked. Clean and lubricate if necessary. (Fig. 129)
4. If the saw chain lubrication does not work after following the steps above, speak to your servicing dealer.

To do the maintenance on the chain drive sprocket

The drive system has a drive sprocket.

(Fig. 130)

Do the following maintenance on the chain drive sprocket:

1. Regularly do a check of the degree of wear on the drive sprocket. Replace the chain drive sprocket if there is too much wear.
2. Replace the drive sprocket when you replace the saw chain.

To examine the cutting equipment

1. Make sure that there are no cracks in rivets and links and that no rivets are loose. Replace if it is necessary. (Fig. 131)
2. Make sure that the saw chain is easy to bend. Replace the saw chain if it is rigid.
3. Compare the saw chain with a new saw chain to examine if the rivets and links are worn.

4. Replace the saw chain when the longest part of the cutting tooth is less than 4 mm/0.16 in. Also replace the saw chain if there are cracks on the cutters. (Fig. 132)
4. Examine the groove in the guide bar for wear. Replace the guide bar if it is necessary. (Fig. 134)
5. Examine if the guide bar tip is rough or very worn. (Fig. 135)
6. Make sure that the bar tip sprocket turns freely and that the lubricating hole in the bar tip sprocket is not blocked. Clean and lubricate if it is necessary. (Fig. 129)
7. Turn the guide bar daily to extend its life cycle. (Fig. 136)

To do a check of the guide bar

1. Make sure that the oil channel is not blocked. Clean if it is necessary. (Fig. 127)
2. Examine if there are burrs on the edges of the guide bar. Remove the burrs using a file. (Fig. 133)
3. Clean the groove in the guide bar. (Fig. 128)

Troubleshooting

Troubleshooting schedule

Table 1: Keypad

Possible fault codes on the keypad of the product.

LED display	Possible faults	Possible action
Warning indicator flashing.	Chain brake engaged.	Pull back the front hand guard to release the chain brake.
	Temperature deviation.	Allow the product to cool down.
	Overload. Cutting attachment jammed.	The cutting attachment is jammed. Release the cutting attachment.
	The power trigger and the activate button are pressed at the same time.	Release the power trigger and the product is active.
Green activate LED flashing.	Low battery voltage.	Charge the battery.
Warning indicator lit.	Service.	Turn to your servicing dealer.

Table 2: Battery

Troubleshooting the battery and/or the battery charger during charging.

LED display	Possible faults	Possible action
Warning indicator flashing.	The battery is discharged.	Charge the battery.
	Temperature deviation.	Use the battery in surroundings where temperatures are between -10 °C/14°F and 40°C/104°F.
	Over voltage.	Check that the mains voltage corresponds with that stated on the rating plate on the product.
Remove the battery from the battery charger.		

LED display	Possible faults	Possible action
Warning indicator lit.	Cell difference is too much (1V).	Turn to your servicing dealer.

Table 3: Battery charger

LED display	Possible faults	Possible action
Warning indicator flashing.	Temperature deviation.	Use the battery in surroundings where temperatures are between 5°C/41°F and 40°C/104°F.
Warning indicator lit.		Turn to your servicing dealer.

Transportation, storage and disposal

Transportation and storage

- The supplied Li-ion batteries obey the Dangerous Goods Legislation requirements.
- Obey the special requirement on package and labels for commercial transportation, including by third parties and forwarding agents.
- Speak to a person with special training in dangerous material before you send the product. Obey all applicable national regulations.
- Use tape on open contacts when you put the battery in a package. Put the battery in the package tightly to prevent movement.
- Remove the battery for storage or transportation.
- Put the battery and the battery charger in a space that is dry and free from moisture and frost.
- Do not keep the battery in an area where static electricity can occur. Do not keep the battery in a metal box.
- Put the battery in storage where the temperature is between 5°C/41°F and 25°C/77°F and away from open sunlight.
- Put the battery charger in storage where the temperature is between 5°C/41°F and 45°C/113°F and away from open sunlight.
- Use the battery charger only when the surrounding temperature is between 5°C/41°F and 40°C/104°F.
- Charge the battery 30% to 50% before you put it in storage for long periods.

- Put the battery charger in storage in a space that is closed and dry.
- Keep the battery away from the battery charger during storage. Do not let children and other not approved persons to touch the equipment. Keep the equipment in a space that you can lock.
- Clean the product and do a full servicing before you put the product in storage for a long time.
- Use the transportation guard on the product to prevent injuries or damage on the product during transportation and storage.
- Attach the product safely during transportation.

Disposal of the battery, battery charger and product

The symbol below means that the product is not domestic waste. Recycle it at a recycling station for electrical and electronic equipment. This helps to prevent damage to the environment and to persons.

Speak to local authorities, domestic waste service or your dealer for more information.

(Fig. 21)

Note: The symbol shows on the product or package of the product.

Technical data

Technical data

	120i
Platform	CS100EU
Motor	
Type	BLDC (brushless) 36V
Features	
Low energy mode	savE
Lubrication system	
Type of oil pump	Automatic
Oil tank capacity, liter	0,20
Weight	
Chainsaw without battery, guide bar, saw chain and empty chain oil tank, kg	2,95
Noise emissions ¹	
Sound power level, measured dB(A)	98
Sound power level, guaranteed L _{WA} dB(A)	101
Sound levels ²	
Equivalent sound pressure level at the operator's ear, dB(A)	88
Vibration levels ³	
	3,8
Saw chain/guide bar	
Recommended bar lengths, inch/cm	12/30
Usable cutting length, inch/cm	10/26
Type of drive sprocket/number of teeth	Spur/6
Maximum chain speed / (savE), m/s	11,5 (10)

¹ Noise emissions in the environment measured as sound power (L_{WA}) in conformity with EC directive 2000/14/EC.

² Equivalent sound pressure level, according to ISO 22868, is calculated as the time-weighted energy total for different sound pressure levels under various working conditions. Typical statistical dispersion for equivalent sound pressure level is a standard deviation of 2,5 dB (A).

³ Declared vibration level is for the handle with highest figures. Typical statistical dispersion for vibration level is 1,5 m/s.

Accessories

Guide bar and saw chain combinations

The following cutting attachments are approved for Husqvarna 120i.


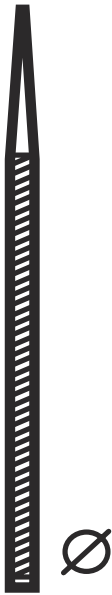
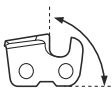


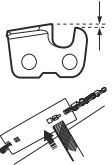
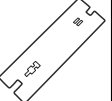

Guide bar				Saw chain	
Length, in	Chain pitch, in	Gauge, mm	Max. nose radius	Type	Length, drive links (no.)
12	3/8	1,1	7T	Husqvarna H38	45

Filing equipment and filing angles

Using Husqvarna file gauge will give you the correct filing angles. We recommend you to always use a Husqvarna file gauge to restore the sharpness of the

saw chain. The part numbers are given in the table below.

If you do not know which saw chain you have on your product, turn to your servicing dealer.

							
38	11/64 in/4,5 mm	75°	30°	0°	0.025 in/ 0,65 mm	5056981-03	5795588-01

Approved batteries

Only use Husqvarna original BLI batteries for this product.

Approved batteries for the product

Battery	BLi20		BLi22	
Type	Lithium-ion		Lithium-ion	
Battery capacity, Ah	4.2 (VTC4)	4 (HD2)	4.2 (VTC4)	4.0 (EVE 20P)
Voltage, V	36	36.5	36	36
Weight, lb/kg	2.6/1.2	2.6/1.2	2.6/1.2	2.6/1.2

Approved battery chargers for the product

Battery charger	QC80
Mains voltage, V	100-240
Frequency, Hz	50-60
Power, W	100
Output Voltage, V d.c./ Amps, A	36/2

EC Declaration of Conformity

EC Declaration of conformity

Husqvarna AB, SE-561 82 Huskvarna, Sweden, tel: +46-36-146500, declares under sole responsibility that the cordless battery chainsaw **Husqvarna 120i (Platform CS100EU)** from 2016's serial numbers and onwards (the year is clearly stated in plain text on the type plate with subsequent serial number), are in conformity with the requirements of the COUNCIL'S DIRECTIVES:

- of May 17, 2006 "relating to machinery" **2006/42/EC**.
- of February 26, 2014 "relating to electromagnetic compatibility" **2014/30/EU**.
- of June 8, 2011 on the "restriction of use of certain hazardous substances" **2011/65/EU**
- of May 8, 2000 "relating to the noise emissions in the environment" **2000/14/EC**.

The following standards have been applied: **EN 60745-1:2009+A11:2010, EN 60745-2-13:2009+A1:2010, EN 55014-1:2006+A1:2009+A2:2011, EN 61000-4-2:2009, EN 61000-4-3:2006+A1:2008, EN IEC63000:2018.**

Notified body: TÜV Rheinland LGA Products GmbH, Tillystrasse 2, D-90431 Nuernberg, Germany, 0197, has carried out EC type examination in accordance with the machinery directive's (2006/42/EC) article 12, clause 3b.

The certificate has the number: **BM 50356394 0001**

The supplied chainsaw conforms to the example that underwent EC type examination.

For information relating to noise emissions, see *Technical data on page 36*.

Huskvarna, 20181031



Pär Martinsson, Development manager (authorized representative for Husqvarna AB and responsible for technical documentation.)

Innehåll

Introduktion.....	40	Felsökning.....	56
Säkerhet.....	41	Transport, förvaring och kassering.....	57
Montering.....	47	Tekniska data.....	57
Drift.....	47	Tillbehör.....	58
Underhåll.....	52	EG-försäkrans om överensstämmelse.....	61

Introduktion

Produktbeskrivning

Produkten är en motorsågsmodell med elmotor.

Arbetet med att öka din säkerhet och effektivitet under användning pågår ständigt. Prata med en serviceverkstad för mer information.

Produktöversikt

(Fig. 1)

1. Kastskydd
2. Knappsats
3. Knappen SavE
4. Varningsindikator
5. Start-/stoppp knapp
6. Gasreglagespär
7. Bakre handtag med högerhandsskydd
8. Fläkthus
9. Kedjeoljetank
10. Batteriladdare
11. Strömkabel
12. Varningsindikator
13. Kontaktidon
14. Bruksanvisning
15. Svärdsskydd
16. Kedjedrivhjulets kåpa
17. Kedjespännarens delar
18. Vred
19. Kedjefångare
20. Barkstöd
21. Noshjul
22. Sågkedja
23. Svärd
24. Främre handtag
25. Gasreglage
26. Batteri
27. Frigöringsknappar för batteri
28. Batteristatus
29. Knapp, batteristatus
30. Varningsindikator

Avsedd användning

Denna produkt är avsedd för sågning i trä.

Notera: Nationella regler kan begränsa användningen av produkten.

Symboler på produkten

- (Fig. 2) Risk för allvarig eller livshotande skada för användaren och andra. Var försiktig och använd produkten på rätt sätt.
- (Fig. 3) Läs noggrant igenom bruksanvisningen och se till att du förstår innehållet innan du använder produkten.
- (Fig. 4) Använd godkänd skyddshjälm, hörsel- och ögonskydd.
- (Fig. 5) Produkten överensstämmer med gällande EG-direktiv.
- (Fig. 6) Emission av buller i miljön enligt EU-direktiv 2000/14/EC och New South Wales "Protection of the Environment Operations (Noise Control) Regulation 2017". Information om bulleremission finns på maskinens etikett och i avsnittet Tekniska data.
- (Fig. 7) Användaren ska alltid hålla motorsågen med båda händerna.
- (Fig. 8) Använd inte motorsågen med bara en hand.
- (Fig. 9) Låt inte svärdsspetsen komma i kontakt med alla föremål.
- (Fig. 10) Varning! Kast kan uppstå när svärdsspetsen kommer i kontakt med ett föremål. Detta gör att svärdet slungas mot

användaren. Risk för allvarlig eller livshotande skada.

- (Fig. 11) Den riktning sågkedjan roterar i och maximal längd på svärdet.
- (Fig. 12) Kedjebroms, aktiverad (höger).
Kedjebroms, avaktiverad (vänster).
- (Fig. 13) Kedjeoljelock.
- (Fig. 14) Likström.
- (Fig. 15) Utsätt inte för regn.
- (Fig. 16) **Miljömärkning.** Produkten eller dess förpackning är inte hushållsavfall. Återvinn den vid en återvinningsstation för elektrisk och elektronisk utrustning.
- (Fig. 20) Typskylten visar serienumret. **yyyy** är produktionsåret, **ww** är produktionsveckan.

Notera: Övriga symboler/etiketter på produkten avser specifika krav för certifieringar på vissa marknader.

Symboler på batteriet och/eller på batteriladdaren

- (Fig. 21) Återvinn produkten vid en återvinningsstation för elektrisk och elektronisk utrustning. (Gäller endast Europa)
- (Fig. 17) Transformator med automatisk säkerhetsanordning.
- (Fig. 18) Använd och förvara endast batteriladdaren inomhus.
- (Fig. 19) Dubbelisolerad.

Säkerhet

Säkerhetsdefinitioner

Definitionerna nedan beskriver allvarlighetsgraden för varje signalord.



VARNING: Personskador.



OBSERVERA: Skador på produkten.

Notera: Denna information gör produkten lättare att använda.

Allmänna säkerhetsvarningar för elverktyg



VARNING: Läs igenom alla säkerhetsinstruktioner och varningar. Om du inte följer varningarna och instruktionerna kan det leda till elektriska stötar, brand och/eller allvarliga skador.

Notera: Spara alla varningar och instruktioner som referens. I varningarna syftar termen "elverktyg" på ett

verktyg som antingen är anslutet till nätspänningen (med sladd) eller drivs av batteri (sladdlöst).

Säkerhet i arbetsområdet

- **Arbetsområdet ska hållas välordnat och välbelyst.** I röriga eller mörka arbetsområden händer det lätt olyckor.
- **Använd inte elverktyg i explosiva miljöer, t.ex. i närvaro av brandfarliga vätskor, gaser eller damm.** Gnistor från elverktyget kan antända damm eller ångor.
- **Håll barn och åskådare på avstånd när du använder elverktyg.** Om du blir distraherad kan du tappa kontrollen.

Elsäkerhet

- **Elverktygets stickkontakt måste passa i vägguttaget. Modifiera aldrig stickkontakten på något sätt. Använd inga adapterkontakter med jordade elverktyg.** Oförändrade stickkontakter och motsvarande vägguttag minskar riskerna för elektriska stötar.
- **Undvik kroppskontakt med jordade ytor, t.ex. rör, kylare, spisar och kylskåp.** Risken för elektriska stötar ökar om kroppen är jordad.
- **Utsätt inte elverktyg för regn eller våta.** Om vatten tränger in i elverktyget ökar risken för elektrisk stöt.
- **Använd inte sladden på fel sätt. Använd inte sladden för att bära eller dra elverktyget, eller för att koppla ur elverktyget från uttaget. Håll sladden borta från**

värme, olja, vassa kanter och rörliga delar. Skadade eller trassliga sladdar ökar risken för elektrisk stöt.

- När du använder ett elverktyg utomhus ska du även använda en förlängningsladd för utomhusbruk. Om du använder en sladd för utomhusbruk minskar risken för elektriska stötar.
- Om det är oundvikligt att köra elverktyget i en fuktig miljö ska du använda en jordfelsbrytare. Med jordfelsbrytare minskar risken för elektriska stötar.

Personligt skydd

- Var på din vakt, var uppmärksam på vad du gör och använd sunt förnuft när du använder ett elverktyg. Använd inte elverktyg om du är trött, har druckit alkohol eller om du har tagit droger eller mediciner. Ett ögonblick av ouppmärksamhet när du använder ett elverktyg kan leda till allvarlig personskada.
- Använd personlig skyddsutrustning. Bär alltid skyddsglasögon. Lämplig skyddsutrustning som ansiktsmask, halkfria skyddsskor, hjälm eller hörselskydd minskar risken för personskador.
- Förebygg att maskinen startar oavsiktligt. Se till att strömbrytaren är frånslagen innan du ansluter elverktyget till en strömkälla och/eller ett batteri samt innan du tar upp eller bär verktyget. Risken för olyckor är stor om du bär elverktyg med fingret på strömbrytaren eller tillför ström till elverktyg med strömbrytaren påslagen.
- Ta bort eventuella justeringsnycklar eller skiftnycklar innan du slår på verktyget. Nycklar som lämnas kvar i elverktygets rörliga delar kan orsaka personskada.
- Sträck dig inte för långt. Ha alltid ett stadigt fotfäste och god balans. Det ger dig större kontroll över elverktyget i oväntade situationer.
- Ta på dig ordentliga arbetskläder. Använd inte löst sittande kläder eller smycken. Håll hår, kläder och handskar borta från rörliga delar. Lösa kläder, smycken och långt hår kan fastna i rörliga delar.
- Om det finns anordningar för anslutning av enheter för uppsamling av damm, se då till att dessa är ordentligt anslutna och att de används på rätt sätt. Dammuppsamling kan minska dammrelaterad fara.
- Vibrationsnivån vid användning av elverktyget kan skilja sig från det angivna totala värdet beroende på hur verktyget används. Användarna bör fastställa säkerhetsåtgärder för att skydda sig själva som är baserade på en uppskattning av exponeringen vid faktiska användningsförhållanden (med beaktande av alla delar av arbetscykeln, som när verktyget är avstängt, när det går på tomgång och när det används).

Använda och underhålla elverktyg

- Bruka inte våld eller onödig kraft. Använd det elverktyg som är rätt för ditt syfte. Med rätt elverktyg utför du ett bättre och säkrare jobb med den hastighet som elverktyget är utformat för.
- Använd inte elverktyget om du inte kan starta och stänga av det med strömbrytaren. Elverktyg som inte

kan kontrolleras med strömbrytaren är farliga och måste repareras.

- Koppla ur stickkontakten från strömkällan och/eller ta ur batteriet innan du gör några justeringar, byter tillbehör eller förvarar elverktyget. Sådana förebyggande säkerhetsåtgärder minskar risken för att elverktyget startas oavsiktligt.
- Förvara elverktyg som inte används utom räckhåll för barn. Se till att personer som inte tidigare har hanterat verktyget, eller som inte har läst instruktionerna, inte använder det. Elverktyg är farliga om de används av ovana användare.
- Sköt om ditt elverktyg. Kontrollera att rörliga delar ligger i linje och inte kärvar. Kontrollera även om det finns skadade delar eller om det föreligger andra förhållanden som kan påverka elverktygets funktion. Om elverktyget är skadat ska det repareras innan det används igen. Många olyckor sker på grund av att rätt underhåll inte har utförts på elverktyget.
- Håll kapverktyg skarpa och rena. Kapverktyg med vassa eggas som underhålls på rätt sätt kärvar mer sällan och är lättare att styra.
- Använd elverktyget och tillbehör enligt de här instruktionerna. Tänk på att ta hänsyn till arbetsförhållandena och det arbete som ska utföras. Användning av elverktyg andra syften än de avsedda kan resultera i en farlig situation.

Använda och underhålla batteridrivna verktyg

- Ladda endast upp med den laddare som anges av tillverkaren. En laddare som är lämplig för en typ av batteripack kan utgöra en brandrisk när den används med ett annat batteripack.
- Använd endast elverktyg med särskilt avsedda batteripack. Användning av andra batteripack kan innebära risk för skada och brand.
- När batteripacket inte används ska du hålla det borta från andra metallföremål, som gem, mynt, nycklar, spikar, skruvar och andra små metallföremål, som kan skapa en anslutning mellan kontaktarna. Kortslutning av batteriets kontakter kan orsaka brännskador eller brand.
- Vid felaktig användning kan vätska spruta ut från batteriet. Undvik kontakt. Om kontakt inträffar av misstag ska du skölja med vatten. Om du får vätska i ögonen ska du uppsöka läkare. Vätska som sprutar ut från batteriet kan orsaka irritation eller sveda.

Service

- Låt en kvalificerad reparatör som endast använder identiska reservdelar underhålla elverktyget. På så sätt garanterar du att säkerheten kring ditt elverktyg upprätthålls.

Säkerhetsvarningar för motorsågen

- Håll alla delar av kroppen borta från sågkedjan när motorsågen är igång. Innan du startar motorsågen ska du se till att sågkedjan inte kommer i kontakt med någonting. Ett ögonblick av ouppmärksamhet

när du använder en motorsåg kan göra att dina kläder eller din kropp traslar in sig i sågkedjan.

- **Håll alltid motorsågen med höger hand på det bakre handtaget och vänster hand på det främre handtaget.** Risken för personskada ökar om du håller motorsågen med händerna tvärtom och det ska aldrig ske.
- **Håll bara i elverkytets isolerade greppyta, eftersom sågkedjan kan komma i kontakt med dolda ledningar eller sin egen sladd.** Om sågkedjan kommer i kontakt med en strömförande ledning kan elverkytets metalldelar strömsättas och ge användaren en elektrisk stöt.
- **Använd skyddsglasögon och hörselskydd. Ytterligare skyddsutrustning för huvud, händer, ben och fötter rekommenderas.** Lämpliga skyddskläder minskar personsador från skräp som slungas ut eller oavsiktlig kontakt med sågkedjan.
- **Använd inte en motorsåg uppe i ett träd.** Att använda en motorsåg uppe i ett träd kan leda till personsador.
- **Ha alltid bra fotfäste och använd endast motorsågen när du står på fasta, säkra och jämna ytor.** Hala eller instabila ytor, t.ex. stegar, kan få dig att tappa balansen eller kontrollen över motorsågen.
- **När du kapar en gren som är spänd ska du se upp för återfjädning.** När spänningen i träfiberna frigörs kan den fjäderbelastade grenen träffa användaren och/eller göra att motorsågen blir okontrollerbar.
- **Var mycket försiktig när du kapar snårskog och ungträd.** Smala växtdelar kan fastna i sågkedjan och piska mot dig eller få dig ur balans.
- **Bär motorsågen i det främre handtaget med motorsågen avstängd och bort från kroppen. Montera alltid svärdsskyddet vid transport eller förvaring av motorsågen.** Korrekt hantering av motorsågen minskar risken för oavsiktlig kontakt med den roterande sågkedjan.
- **Följ instruktionerna för smörjning, kedjespänning och byte av tillbehör.** En felaktigt spänd eller smord sågkedja kan antingen gå sönder eller öka risken för kast.
- **Håll handtagen torra, rena och fria från olja och fett.** Feta, oljiga handtag är hala och gör att du tappar kontrollen.
- **Kapa endast trä. Använd inte motorsågen till sådant som den inte är avsedd för. Till exempel: Använd inte motorsåg för att kapa plast, murverk eller byggmaterial som inte är av trä.** Användning av motorsågen i andra syften än de avsedda kan resultera i en farlig situation.
- Vi rekommenderar starkt att förstagångs användare övar på att såga stockar på en sågbock eller ställning.

Orsaker till kast och hur du undviker att det inträffar

Kast kan inträffa när svärdsspetsen kommer i kontakt med ett föremål eller när träet nyper fast sågkedjan

under sågning. Spetskontakt kan i vissa fall göra att svärdet trycks uppåt och bakåt mot användaren. Nypsa sågkedjan fast vid svärdsspetsen kan det göra att svärdet snabbt trycks bakåt mot användaren. Båda dessa händelser kan göra att du förlorar kontrollen över sågen vilket kan leda till allvarliga personsador. Förlita dig inte enbart på sågens säkerhetsfunktioner. Som motorsågsanvändare bör du vidta flera åtgärder för att undvika olyckor och skador. Kast orsakas av felaktig användning eller felaktiga förhållanden och kan undvikas om du vidtar följande försiktighetsåtgärder:

- **Håll sågen i ett stadigt grepp och se till att fingrarna omsluter handtaget. Håll båda händerna på sågen och placera kroppen och armen så att du kan hålla emot kast.** Kast kan kontrolleras om rätt försiktighetsåtgärder vidtas. Släpp inte motorsågen!
- **Sträck dig inte för långt och såga inte över axelhöjd.** Detta hjälper till att förhindra oavsiktlig spetskontakt och ger ökad kontroll över motorsågen i oväntade situationer.
- **Vid byte, använd endast de svärd och kedjor som specificeras av tillverkaren.** Felaktiga utbytessvärd och -kedjor kan göra att kedjan går sönder och/eller orsaka kast.
- **Följ tillverkarens instruktioner för slipning och underhåll av kedjan.** Minskad höjd på underställningen ökar risken för kast.

SPARA DE HÄR INSTRUKTIONERNA.

Allmänna säkerhetsanvisningar



VARNING: Läs varningsinstruktionerna nedan innan du använder produkten.

- Denna produkt är ett farligt verktyg om du inte är försiktig eller om du använder produkten felaktigt. Den här produkten kan orsaka allvarlig eller livshotande skada för användaren och andra. Det är mycket viktigt att du läser och förstår innehållet i denna bruksanvisning.
- Ändra inte produkten utan godkännande från tillverkaren. Använd inte en produkt som har ändrats av andra och använd alltid originaltillbehör. Ändringar som inte godkänts av tillverkaren kan orsaka allvarlig eller livshotande skada för användaren och andra.
- Långvarig inandning av ånga från kedjeolja och sågspån kan orsaka hälsoproblem.
- Denna produkt alstrar ett elektromagnetiskt fält under drift. Detta fält kan under vissa omständigheter ge påverkan på aktiva eller passiva medicinska implantat. För att minska risken för allvarlig eller livshotande skada rekommenderar vi därför personer med medicinska implantat att rådgöra med läkare samt tillverkaren av det medicinska implantatet innan denna produkt används.

Säkerhetsinstruktioner för drift



VARNING: Läs varningsinstruktionerna nedan innan du använder produkten.

- Informationen i denna bruksanvisning kan aldrig ersätta professionell kompetens och erfarenhet. Om du inte känner dig säker i en situation ska du stoppa produkten. Vänd dig till en serviceverkstad eller en professionell motorsågsanvändare. Undvik all användning du anser dig otillräckligt kvalificerad för!
- Vänd dig till en serviceverkstad eller Husqvarna om du har frågor angående användning av produkten. Vi kan ge dig information om hur du använder produkten effektivt och säkert. Delta i en utbildning i motorsågshandling om möjligt. Din serviceverkstad, skogsvårdsskola eller ditt bibliotek kan ge dig information om utbildningsmaterial och klasser som finns tillgängliga.
- Du måste förstå vad kast innebär och hur du undviker dem innan du använder produkten. Se *Information om kast på sida 49* och *Vanliga frågor om kast på sida 48* för anvisningar.
- Använd inte en produkt, ett batteri eller en batteriladdare som är defekt.
- Rör inte vid en roterande sågkedja. Det kan orsaka allvarlig eller livshotande skada.
- Använd inte produkten om du är trött, om du är påverkad av alkohol, droger, läkemedel eller något annat som kan ha en negativ inverkan på din syn, ditt omdöme eller din kroppskontroll.
- Arbete i dåligt väder är tröttsamt och kan öka riskerna. Vi rekommenderar inte att produkten används i mycket dåligt väder, till exempel vid tät dimma, kraftigt regn, kraftig vind, extrem kyla eller risk för åskväder osv. eftersom det innebär ökade risker.
- Starta inte produkten såvida inte svärdet, sågkedjan och samtliga kåpor är korrekt monterade. Annars kan kedjedrivhjulet lossna och orsaka allvarlig skada. Se *Montering på sida 47* för anvisningar. (Fig. 22)
- Iaktta omgivningen. Kontrollera att det inte finns risk att människor eller djur vidrör eller påverkar din kontroll av produkten. (Fig. 23)
- Låt inte barn använda eller vara nära produkten. Produkten är lätt att starta och barn kan starta den om de inte hålls under uppsikt. Detta kan innebära risk för allvarlig skada.
- Ta ur batteriet när du inte har fullständig uppsikt över produkten eller när du lämnar produkten under en tid.
- Du måste stå stadigt för att ha fullständig kontroll över produkten. Använd inte produkten om du står på en stege eller i ett träd. Använd inte produkten om du inte är på stadigt mark. (Fig. 24)

- Om du inte är försiktig ökar kastrisken. Kast kan uppstå om svärdets kastrisksektor oavsiktligt vidrör en gren, ett träd eller något annat föremål. (Fig. 25)
- Håll inte produkten med bara en hand. Produkten kan inte kontrolleras på ett säkert sätt med en hand.
- Använd inte produkten över axelhöjd och försök inte att säga med svärdets spets. (Fig. 26)
- Använd inte produkten i en situation där du inte kan ropa på hjälp om en olycka skulle inträffa.
- Stäng av produkten och aktivera kedjebromsen innan du flyttar produkten. Håll produkten med svärd och sågkedja bakåt. Sätt på ett transportskydd på svärdet innan transport eller innan du flyttar den.
- När du sätter produkten på marken ska du aktivera kedjebromsen och ha konstant uppsikt över produkten. Stäng av produkten och ta ur batteriet innan du lämnar produkten under en tid.
- Det finns en risk att träflis fastnar i drivsystemet. Detta kan göra att sågkedjan fastnar. Stäng alltid av produkten och ta ur batteriet innan du rengör den.
- Se till att du kan gå omkring säkert. Undersök om det finns eventuella hinder som rötter, stenar, grenar, diken m.m. i omgivande terräng. Var försiktig när du arbetar på sluttande mark.
- Vibrationsnivån ökar om du säger med skärutrustning som är felaktig eller inte korrekt slipad. Sågning i hårda träslag, t.ex. lövträd, orsakar mer vibrationer än sågning i mjuka träslag, t.ex. barrträd. (Fig. 27)
- Överexponering av vibrationer kan leda till blodkärls- eller nervskador hos personer som har dålig blodcirkulation. Prata med läkare om du upplever kroppsliga symptom som kan relateras till överexponering av vibrationer. Exempel på sådana symptom är domningar, avsaknad av känsel, "kittlingar", "stickningar", smärta, avsaknad eller reducering av normal styrka, förändringar i hudens färg eller dess yta. Dessa symptom uppträder vanligtvis i fingrar, händer och handleder och ökar vid låga temperaturer.
- Undvik situationer som du anser dig otillräckligt kvalificerad för.
- Det är inte möjligt att inkludera alla möjliga situationer du kan ställas inför när du använder denna produkt. Var alltid försiktig och använd sunt förnuft. (Fig. 28)

Personlig skyddsutrustning



VARNING: Läs varningsinstruktionerna nedan innan du använder produkten.

(Fig. 29)

- Merparten av olyckorna med motorsåg inträffar när sågkedjan träffar användaren. Du måste använda godkänd personlig skyddsutrustning under användning. Personlig skyddsutrustning ger dig inte fullständig skydd mot skador, men den reducerar

effekten av en skada vid ett eventuellt olyckstillbud. Vänd dig till en serviceverkstad för rekommendationer om vilken utrustning som ska användas.

- Kläderna måste vara åtsittande, men ska inte begränsa dina rörelser. Kontrollera regelbundet skicket på den personliga skyddsutrustningen.
- Använd en godkänd skyddshjälm.
- Använd godkända hörselskydd. Långvarig exponering för buller kan ge bestående hörselnedsättning.
- Använd skyddsglasögon eller ansiktsvisir för att minska risken för skador från flygande föremål. Produkten kan slunga iväg föremål, såsom sågspån, små trästycken osv. med stor kraft. Detta kan orsaka allvarlig skada, speciellt på ögonen.
- Använd handskar med sågskydd.
- Använd byxor med sågskydd.
- Använd stövlar med sågskydd, stålhätta och halkfri sula.
- Ha alltid första hjälpen-utrustning med dig.
- Risk för gnistbildning. Ha verktyg för brandsläckning och en skyffel till hands för att förhindra skogsbränder.

Säkerhetsanordningar på produkten



VARNING: Läs varningsinstruktionerna nedan innan du använder produkten.

- Använd inte en produkt med defekta säkerhetsanordningar.
- Kontrollera säkerhetsanordningarna regelbundet. Se *Underhåll och kontroller av produktens säkerhetsanordningar på sida 53*.
- Om säkerhetsanordningarna är defekta ska du prata med en Husqvarna-serviceverkstad.

Knappsats

Varningsindikatorn blinkar om kedjebromsen aktiveras eller vid risk för överbelastning. Överlastskyddet stannar tillfälligt produkten, och du kan inte använda produkten förrän temperaturen återställs. Om indikatorn lyser med ett fast ljus ska du kontakta en serviceverkstad. (Fig. 30)

Automatisk stoppfunktion

Produkten har en automatisk stoppfunktion som stoppar produkten om du inte använder den på en minut.

Kedjebroms med kastskydd

Produkten har en kedjebroms som stoppar sågkedjan vid kast. Kedjebromsen minskar risken för olyckor, men det är bara du som kan förhindra dem. (Fig. 31)



VARNING: Undvik situationer med kastrisk. Var försiktig när du använder produkten och se till att svärdets

kastrisksektor inte kommer i kontakt med något föremål.

(Fig. 32)

Kedjebromsen (A) aktiveras manuellt med vänsterhanden eller automatiskt via tröghetsfunktionen. För kastskyddet (B) framåt för att aktivera kedjebromsen manuellt. Denna rörelse inleder en fjäderspänd mekanism som stoppar kedjedrivhjulet. (Fig. 33)

Hur kedjebromsen aktiveras beror på kraften i produktens kast samt dess placering. Om du upplever ett intensivt kast när kastrisksektorn är längst bort från dig aktiveras kedjebromsen via tröghetsfunktionen. Om kastet är litet eller om kastrisksektorn är närmare dig aktiveras kedjebromsen manuellt med vänsterhanden. (Fig. 34)

Använd kedjebromsen som parkeringsbroms när du startar produkten och när du rör dig korta sträckor. Detta minskar risken för att du eller en person nära dig vidrör sågkedjan. (Fig. 35)

Dra kastskyddet bakåt för att avaktivera kedjebromsen. (Fig. 36)

Kast kan vara plötsliga och intensiva. De flesta kast är små och resulterar inte alltid i att kedjebromsen aktiveras. Om ett kast inträffar när du använder produkten ska du hålla hårt om handtagen och inte släppa taget. (Fig. 37)

Kastskyddet minskar också risken för att du kommer i kontakt med sågkedjan om handen släpper det främre handtaget. (Fig. 38)

I fällningsposition kan du inte aktivera kedjebromsen manuellt. Kedjebromsen kan i detta läge endast aktiveras via tröghetsfunktionen. (Fig. 39)

Gasreglagespär

Gasreglagespärren förhindrar ofrivillig aktivering av gasreglaget. Om du sätter handen runt handtaget och trycker in gasreglagespärren (A) frikopplas gasreglaget (B). När greppet om handtaget släpps återgår både gasreglaget och gasreglagespärren till sina respektive ursprungslägen. (Fig. 40)

Kedjefångare

Kedjefångaren fångar upp sågkedjan om den går sönder eller lossnar. Om du har rätt kedjespänning minskar risken. Risken minskar även om du utför korrekt underhåll av svärd och sågkedja. Se *Spänna sågkedjan på sida 55* och *Underhåll på sida 52* för anvisningar. (Fig. 41)

Högerhandsskydd

Högerhandsskyddet fungerar som skydd för din hand om sågkedjan går sönder eller lossnar. Det förhindrar även att grenar och kvistar stör när du använder produkten. (Fig. 42)

Batterisäkerhet



VARNING: Läs varningsinstruktionerna nedan innan du använder produkten.

- Använd endast de BLI-batterier som vi rekommenderar för din produkt. Batterierna har kryperad programvara.
- Använd uppladdningsbara BLI-batterier som strömförsörjning för relaterade Husqvarna-produkter. På grund av risken för skador ska du inte använda batterier som strömkälla för andra enheter.
- Risk för elektrisk stöt. Anslut inte batteripolerna till nycklar, skruvar eller andra metallföremål. Det kan orsaka kortslutning i batteriet.
- Använd inte batterier som inte är uppladdningsbara.
- Placera inte föremål i luftspringorna på batteriet.
- Håll batteriet borta från direkt solljus, värme och öppen eld. Batteriet kan orsaka brännskador och/eller kemiska brännskador.
- Håll batteriet borta från regn och fuktiga förhållanden.
- Håll batteriet borta från mikrovågor och högt tryck.
- Försök inte ta isär eller krossa batteriet.
- Låt inte batterisyra komma i kontakt med huden. Batterisyra orsakar skador på huden, korrosion och brännskador. Om man får batterisyra i ögonen ska man inte gnugga, utan spola med vatten i minst 15 minuter. Om batterisyra har kommit i kontakt med huden måste du rengöra huden med rikligt med vatten och tvål. Se till att få vård.
- Använd batteriet vid temperaturer mellan -10°C (14°F) och 40°C (104°F).
- Rengör inte batteriet eller batteriladdaren med vatten. Se *Kontrollera batteriet och batterifacket på sida 53*.
- Använd inte ett defekt eller skadat batteri.
- Håll batterier som förvaras borta från metallföremål, exempelvis spikar, skruvar och smycken.
- Håll batteriet utom räckhåll för barn.

Säkerhet, batteriladdare



VARNING: Läs varningsinstruktionerna nedan innan du använder produkten.

- Risk för elektriska stötar eller kortslutning om säkerhetsinstruktionerna inte följs.
- Använd ett godkänt jordat uttag som inte är skadad.
- Använd inte andra batteriladdare än den som medföljde produkten. Använd endast Husqvarna QC-laddare när du laddar Husqvarna BLI-utbytesbatterier.
- Försök inte plocka isär batteriladdaren.
- Använd aldrig defekta eller skadade batteriladdare.

- Lyft inte batteriladdaren i nätsladden. Koppla bort batteriladdaren från eluttaget genom att dra i kontakten. Dra inte i nätsladden.
- Ha inga sladdar och skarvladdar nära vatten, olja och skarpa kanter. Var uppmärksam så att inte kabeln kläms i dörrar, stängsel eller liknande.
- Använd inte batteriladdaren nära brandfarliga material eller material som kan orsaka korrosion. Se till att batteriladdaren inte är övertäckt. Dra ut stickkontakten till batteriladdaren vid rökutveckling eller brand.
- Ladda endast batteriet inomhus där den inte utsätts för solljus och på en plats med bra luftflöde. Ladda inte batteriet utomhus. Ladda inte batteriet vid fuktiga förhållanden.
- Använd endast batteriladdaren i temperaturer mellan 5°C (41°F) och 40°C (104°F). Använd laddaren i en miljö med bra luftflöde, som är torr och fri från damm.
- Placera inte föremål i kylningsöppningar på batteriladdaren.
- Anslut inte batteriladdarens kontakter till metallföremål eftersom batteriladdaren kan kortslutas.
- Använd godkända vägguttag som inte är skadade.

Säkerhetsinstruktioner för underhåll



VARNING: Läs varningsinstruktionerna nedan innan du utför underhåll på produkten.

- Ta ur batteriet innan du utför underhåll, övriga kontroller eller monterar produkten.
- Användaren får endast utföra underhålls- och servicearbeten som beskrivs i denna bruksanvisning. Vänd dig till en serviceverkstad för underhåll och service av större omfattning.
- Rengör inte batteriet eller batteriladdaren med vatten. Starka rengöringsmedel kan orsaka skador på plasten.
- Om du inte utför underhåll minskar produktens livscykel och risken för olyckor ökar.
- Särskild utbildning krävs för allt service- och reparationsarbete, särskilt för produktens säkerhetsanordningar. Om inte alla kontroller i den här bruksanvisningen är godkända efter att du gjort underhåll ska du kontakta din serviceverkstad. Vi garanterar att det finns professionella reparationer och service tillgängliga för din produkt.
- Använd endast originaltillbehör.

Säkerhetsinstruktioner för skärutrustningen



VARNING: Läs varningsinstruktionerna nedan innan du använder produkten.

- Använd endast de svärd-/sågkedjekombinationer och den filutröstning som vi rekommenderar. Se *Tillbehör på sida 58* för instruktioner.
- Använd skyddshandskar när du använder eller utför underhåll på sågkedjan. Även en sågkedja som inte rör sig kan orsaka skador.
- Håll skärtänderna korrekt filade. Följ instruktionerna och använd rekommenderad filmall. En sågkedja som är skadad eller felaktigt filad ökar risken för olyckor.(Fig. 43)
- Håll korrekt underställning. Följ våra instruktioner och använd rekommenderad underställning. En för stor underställning ökar risken för kast.(Fig. 44)
- Se till att kedjan har korrekt spänning. Om kedjan inte sluter tätt mot svärdet kan kedjan hoppa av. En felaktig sågkedjespänning ökar slitaget på svärd, sågkedja och kedjedrivhjulet. Se *Spänna sågkedjan på sida 55*.(Fig. 45)
- Utför underhåll på skärutrustningen regelbundet och se till att den är smord. Om kedjan inte är korrekt smord ökar risken för slitage på svärd, sågkedja och kedjedrivhjul.(Fig. 46)

Montering

Introduktion



VARNING: Läs och förstå säkerhetskapitlet innan du monterar produkten.

Montering av svärd och sågkedja



VARNING: Ta alltid ur batteriet innan du monterar eller utför underhåll på produkten.

1. Avaktivera kedjebromsen. (Fig. 47)
2. Lossa på vredet och ta bort kedjedrivhulets kåpa (kedjebroms) och transportskyddet (A). (Fig. 48)
3. Montera svärdet över svärdsbulten. Placera svärdet i sitt bakersta läge. Placera kedjan över kedjedrivhjulet och i svärdsspåret. Börja på svärdets ovansida. (Fig. 49)

4. Kontrollera att skäränkarnas egg är riktade framåt på ovansidan av svärdet.
5. Montera kedjedrivhulets kåpa och lokalisera kedjespännartappen i svärdets urtag.
6. Kontrollera att kedjans drivlänkar passar på kedjedrivhjulet.
7. Kontrollera att kedjan ligger rätt i svärdsspåret.
8. Dra åt sågkedjan. Se *Spänna sågkedjan på sida 55* för anvisningar.

Montera ett barkstöd

Kontakta en serviceverkstad för att montera ett barkstöd.

Drift

Introduktion



VARNING: Läs och förstå säkerhetskapitlet innan du använder produkten.

Kontrollera funktionen innan du använder produkten

1. Kontrollera kedjebromsen (A) för att se till att den fungerar korrekt och att den inte är defekt.
2. Kontrollera det bakre högerhandsskyddet (B) för att se till att det inte är defekt.
3. Kontrollera gasreglaget och gasreglagespärren (C) för att se till att de fungerar korrekt och att de inte är defekta.
4. Kontrollera knappsatsen (D) för att se till att den fungerar korrekt.
5. Se till att det inte finns olja i handtagen (E).
6. Kontrollera att alla delar är korrekt monterade och att de inte är defekta eller saknas.
7. Kontrollera kedjefångaren (F) för att se till att den är korrekt monterad.
8. Kontrollera kedjespänningen (G).
9. Ladda batteriet (H) och se till att det är korrekt anslutet till produkten.
10. Se till att sågkedjan stannar när du släpper strömbrytaren. (Fig. 50)

Kedjeolja

Alla motorsågar från Husqvarna har ett system för automatisk sågkedjesmörjning. En del av modellerna kan även fås med justerbart oljeflöde.

Tänk på följande när du väljer kedjeolja:

(Fig. 51)

- Oljetanken varar i cirka tre batteriladdningar. Detta gäller endast om du använder korrekt kedjeolja. Om kedjeoljan är för tunn kommer den inte räcka så länge.
- Kedjeolja ska ha god vidhäftning vid sågkedjan och ha goda flytegenskaper oavsett om det är varm sommar eller kall vinter.
- Använd olja av rätt kvalitet (lämplig viskositet) som passar med lufttemperaturen. Lufttemperaturer under 0 °C gör en del oljor för tjocka. Detta kan medföra att oljepumpen överbelastas och orsaka skador på oljepumpens komponenter.
- Använd rekommenderad skärutrustning. Ett svärd som är för långt använder mer kedjeolja.
- Rådfråga en serviceverkstad när du väljer kedjeolja.



VARNING: Använd aldrig spillolja! Spillolja är farligt för dig och miljön. Spillolja orsakar även skador på oljepumpen, svärdet och sågkedjan.



VARNING: Om smörjningen av skärutrustningen inte är tillräcklig kan det göra att sågkedjan går sönder. Detta kan orsaka allvarig eller livshotande skada för användaren.



OBSERVERA: Om du använder vegetabilisk sågkedjeolja ska du rengöra spåret i svärdet och sågkedjan innan långtidsförvaring. Risken finns annars att sågkedjan oxiderar, vilket gör att sågkedjan blir stel och att svärdets noshjul blir igensatt.

Vanliga frågor om kast

- **Aktiveras kedjebromsen alltid av handen vid kast?**

Nej. Man måste använda en del kraft för att trycka kastskyddet framåt. Om du inte använder tillräcklig kraft aktiveras inte kedjebromsen. Du måste också hålla produktens handtag stadigt med båda händerna under arbetet. Om ett kast inträffar är det möjligt att kedjebromsen inte stoppar sågkedjan innan den träffar dig. Det finns också vissa arbetsställningar då handen inte kan vidröra kastskyddet för att aktivera kedjebromsen.

- **Aktiveras kedjebromsen alltid av tröghetsfunktionen vid kast?**

Nej. För det första måste kedjebromsen fungera korrekt. Se *Underhåll på sida 52* för anvisningar om hur man kontrollerar kedjebromsen. Vi rekommenderar att du gör detta varje gång innan du använder produkten. För det andra måste kraften i kastet vara tillräckligt stor för att aktivera kedjebromsen. Om kedjebromsen skulle vara för känslig skulle den aktiveras vid tuff användning.

- **Skyddar kedjebromsen mig alltid från skador om ett kast inträffar?**

Nej. Kedjebromsen måste fungera korrekt för att ge skydd. Kedjebromsen måste också aktiveras vid kast för att stoppa sågkedjan. Om du är nära svärdet är det möjligt att kedjebromsen inte har tid nog att stoppa sågkedjan innan den träffar dig.



VARNING: Endast du själv och en korrekt arbetsteknik kan förhindra kast.

Ansluta batteriladdaren

1. Anslut batteriladdaren till den spänning och frekvens som anges på typskylten.
2. Sätt in stickkontakten i ett jordat uttag.

Notera: Batteriet laddas inte om batteriets temperatur är högre än 50 °C/122 °F. Om temperaturen är högre än 50 °C/122 °F kyler batteriladdaren ner batteriet.

Ladda batteriet

Notera: Ladda batteriet om det är första gången du använder det. Ett nytt batteri är endast 30 % laddat.

1. Anslut batteriet till batteriladdaren. (Fig. 52)
2. Kontrollera att den gröna laddningslampan på batteriladdaren tänds. Det betyder att batteriet är korrekt anslutet till batteriladdaren. (Fig. 53)
3. När alla lysdioder på batteriet lyser är batteriet fulladdat. (Fig. 54)
4. Koppla bort batteriladdaren från eluttaget genom att dra i kontakten. Dra ej i kabeln.
5. Koppla bort batteriet från batteriladdaren.

Notera: Se handböckerna för batteri och batteriladdare för mer information.

Starta produkten

1. Kontrollera gasreglaget och gasreglagespärren. Se *Kontrollera gasreglagespärren på sida 53*.
2. Tryck kastskyddet framåt för att aktivera kedjebromsen. (Fig. 38)
3. Sätt i batteriet i batterihållaren. (Fig. 55)
4. Tryck på den nedre delen av batteriet tills du hör ett klickljud.



OBSERVERA: Om batteriet inte går enkelt in i batterihållaren är det inte ordentligt fastsatt i batterihållaren.

(Fig. 56)

- Tryck och håll in start-/stoppknappen tills den gröna lysdioden tänds. (Fig. 57)

Använda SavE-funktionen

Den här produkten har en energisparfunktion, SavE. SavE-funktionen minskar kedjehastigheten och ger den längsta drifttiden från batteriet.

Notera: SavE-funktionen minskar inte produktens sågkraft.

- Tryck på SavE-knappen på knappsatsen.
- Kontrollera att den gröna lysdioden tänds.
- Tryck på SavE-knappen igen för att koppla från funktionen. Den gröna lysdioden slocknar. (Fig. 58)

Stänga av produkten

- Tryck på och håll in start-/stoppknappen på knappsatsen tills den gröna lysdioden slocknar. (Fig. 57)
- Dra ut batteriet och tryck på batteriets frigöringsknappar för att ta ur batteriet från batterihållaren. (Fig. 59)



WARNING: Ta ur batteriet när du inte använder eller när du inte har fullständig uppsikt över produkten. Detta för att förhindra oavsiktlig start.

Information om kast



WARNING: Ett kast kan orsaka allvarlig eller livshotande skada för användaren och andra. För att minska risken måste du känna till orsakerna till kast och hur man undviker dem.

Kast sker endast när svärdets kastrisksektor kommer i kontakt med ett föremål. Ett kast kan inträffa plötsligt och med stor kraft, och produkten slungas då mot användaren. (Fig. 60)

Kast sker alltid i svärdets plan. Vanligtvis slungas produkten mot användaren, men de kan också slungas i en annan riktning. Rörelseriktningen beror på hur du använder produkten när kastet inträffar. (Fig. 61)

Kast sker endast om svärdets kastrisksektor kommer i kontakt med ett föremål. Låt inte kastrisksektorn komma i kontakt med ett föremål. (Fig. 60)

Mindre svärdsspetsradie minskar kraften i eventuella kast.

Använd en sågkedja med kastreduktion för att minska kasteffekten. Låt inte kastrisksektorn komma i kontakt med ett föremål.



WARNING: Ingen sågkedja förhindrar kast helt. Följ alltid anvisningarna.

Använda sågteknik



WARNING: Använd full effekt när du sågar och sänk varvtalet till tomgångsvarvtal efter varje snitt.



OBSERVERA: Låt inte motorn vara igång för länge utan belastning. Det kan orsaka skador på motorn.

- Placera stocken på en sågbock eller löpare. (Fig. 62)



WARNING: Såga inte stocken i en trave. Det ökar kastrisken och kan resultera i allvarlig eller livshotande skada.

- Ta bort de kapade styckena från arbetsområdet.



WARNING: Kapade stycken i arbetsområdet ökar kastrisken och risken för att du inte kan hålla balansen.

Kapa en stock på marken

- Kapa genom stocken med dragande kedja. Håll full effekt men var beredd på plötsliga olyckor. (Fig. 63)



WARNING: Se till att sågkedjan inte vidrör marken när du slutför snittet.

- Såga ca $\frac{2}{3}$ genom stocken och stanna sedan. Vrid stocken och såga från den motsatta sidan. (Fig. 64)

Såga en stock med stöd i ena änden



WARNING: Se till att stocken inte går av vid kapning. Följ anvisningarna i nedan.

(Fig. 65)

- Såga med skjutande kedja ungefär $\frac{1}{3}$ genom stocken.
- Kapa genom stocken med dragande kedja tills de två snitten möts. (Fig. 66)

Såga en stock med stöd i båda ändarna



VARNING: Se till att sågkedjan inte fastnar i stocken under kapningen. Följ anvisningarna i nedan.

(Fig. 67)

1. Såga med dragande kedja ungefär $\frac{1}{3}$ genom stocken.
2. Såga genom den återstående delen av stocken med skjutande kedja för att slutföra snittet. (Fig. 68)



VARNING: Stanna motorn om sågkedjan fastnar i stocken. Använd en hävarm för att öppna snittet att ta loss produkten. Försök inte dra ut produkten för hand. Detta kan orsaka skada när produkten plötsligt lossnar.

Använda kvistningsteknik

Notera: Använd sågteknik för tjocka grenar. Se *Använda sågteknik på sida 49*.



VARNING: Det finns en hög olycksrisk när du använder kvistningstekniken. Se *Information om kast på sida 49* för instruktioner om att undvika kast.



VARNING: Kapa grenarna en i taget. Var försiktig när du tar bort mindre grenar och såga inte buskar eller många små grenar samtidigt. Små grenar kan fastna i sågkedjan och förhindra säker användning av produkten.

Notera: Såga grenarna bit för bit om det är nödvändigt. (Fig. 69)

1. Ta bort grenarna på höger sida av stocken.
 - a) Håll svärdet på högra sidan av stocken och håll produktens chassi mot stocken.
 - b) Välj tillämplig sågteknik för spänningen i grenen. (Fig. 70)



VARNING: Om du inte är säker på hur du ska såga av grenen kan du tala med en professionell motorsågsanvändare innan du fortsätter.

2. Ta bort grenarna på stockens ovansida.
 - a) Håll produkten mot stocken och låt svärdet röra sig längs stocken.
 - b) Såga med skjutande kedja. (Fig. 71)

3. Ta bort grenarna på vänster sida av stocken.
 - a) Välj tillämplig sågteknik för spänningen i grenen. (Fig. 72)



VARNING: Om du inte är säker på hur du ska såga av grenen kan du tala med en professionell motorsågsanvändare innan du fortsätter.

Se *Såga träd och grenar som är i spänning på sida 51* för instruktioner i att såga i grenar som är i spänning.

Använda trädfällningsteknik



VARNING: Du måste ha erfarenhet för att fälla ett träd. Delta om möjligt i en utbildning i motorsågshandling. Tala med en användare med erfarenhet för mer kunskap.

Hålla ett säkerhetsavstånd

1. Se till att personer runt dig håller ett säkerhetsavstånd på minst 2 $\frac{1}{2}$ trädlängder. (Fig. 73)
2. Se till att ingen befinner sig inom riskområdet före och under fällning. (Fig. 74)

Beräkna fallriktningen

1. Undersök i vilken riktning trädet måste falla. Målet är att fälla det i ett läge där du enkelt kan kvista och kapa stocken. Det är också viktigt att du står stadigt och kan röra dig säkert.



VARNING: Om det är farligt eller omöjligt att fälla trädet i dess naturliga fallriktning ska du fälla trädet åt ett annat håll.

2. Undersök trädets naturliga fallriktning. Till exempel trädets lutning och krökning, vindriktning, grenarnas placering och eventuell snövik.
3. Undersök om det finns hinder, till exempel andra träd, kraftledningar, vägar och/eller byggnader runt omkring.
4. Titta efter tecken på skador och röta i stammen.



VARNING: Röta i stammen kan innebära en risk för att trädet faller innan du slutför kapningen.

5. Se till att trädet inte har några skadade eller döda grenar som kan brytas av och skada dig under fällningsarbetet.
6. Låt inte trädet falla in i ett annat stående träd. Det är farligt att ta bort ett fastfällt träd och det innebär en hög olycksrisk. Se *Figöra ett fastfällt träd på sida 51*. (Fig. 75)



VARNING: Vid kritiska fällningsmoment ska du lyfta hörselskydden så fort sågningen är avslutad. Det är viktigt att du hör ljud och varningssignaler.

Rensa stammen och förbereda din reträttväg

Såga av alla grenar från din axelhöjd och nedåt.

1. Såga med dragande kedja uppifrån och ner. Se till att trädet är mellan dig och produkten. (Fig. 76)
2. Rensa upp undervegetationen i arbetsområdet runt trädet. Ta bort allt kapat material från arbetsområdet.
3. Kontrollera om det finns hinder i området, som stenar, grenar och gropar. Du måste ha en lättframkomlig reträttväg när trädet börjar falla. Reträttvägen måste vara ungefär 135 grader från fallriktningen.
1. Riskzonen
2. Reträttvägen
3. Fallriktningen

(Fig. 77)

Fälla träd

Husqvarna rekommenderar dig att göra riktskär och sedan använda det säkra hörnet när du fäller ett träd. Det säkra hörnet hjälper dig att skapa en korrekt brytmån och styra fallriktningen.



VARNING: Fäll inte träd med en diameter som är mer än två gånger större än svärds längden. För detta måste du ha särskild utbildning.

Göra riktskären

1. Gör riktskären. Gör riktskären genom 1/4 av trädets diameter. Gör en 45° vinkel mellan över- och underskåret.
 - a) Gör överskåret först. Rikta in produktens fallriktningmärkning (A) med trädets fallriktning (B). Stå bakom produkten med trädet på höger sida. Såga med dragande kedja.
 - b) Gör underskåret. Kontrollera att slutet av underskåret är vid samma punkt som slutet av överskåret. (Fig. 78)
2. Se till att riktskärslinjen är helt horisontell och i rätt vinkel (90°) mot fallriktningen. Riktskärslinjen går genom den punkt där de två riktskären möts. (Fig. 79)

Göra fällskäret

Notera: Fällskäret görs på andra sidan av trädet från riktskären.

1. Placera fällskäret ca 3–5 cm över de nedre riktskären. Snittet måste vara helt horisontellt. (Fig. 80)
2. Om du har ett barkstöd ska du placera det bakom brytmänen.
3. Såga med dragande kedja, använd full effekt och för sågkedjan/svärdet sakta framåt in i trädet. Se till att trädet inte faller i önskad riktning.
4. För in en fällkil eller ett brytjärn i skäret när snittet är tillräckligt djupt. (Fig. 81)
5. Slutför fällskäret parallellt med riktskärslinjen. Kontrollera att avståndet mellan dem är minst 1/10 av stamdiametern. Den del av stammen som inte är kapad är brytmänen. Brytmänen styr fallriktningen. (Fig. 82)



VARNING: Du har ingen kontroll av fallriktningen om brytmänen är borta eller om den är för tunn. Detta gäller även om du inte har gjort riktskär och fällskär korrekt.

(Fig. 83)

6. Då faller trädet av egen kraft eller med hjälp av en fällkil eller ett brytjärn. (Fig. 84)

Notera: Använd en svärds längd som är längre än trädets diameter. Detta hjälper dig att göra fällskäret och riktskären med ett sågsnitt var. Se *Tillbehör på sida 58* för att ta reda på vilka svärds längder vi rekommenderar för din produkt.

(Fig. 85)

Frigöra ett fastfällt träd



VARNING: Det är väldigt farligt att ta bort ett fastfällt träd och det innebär en hög olycksrisk. Håll dig borta från riskområdet och försök inte att fälla ett fastfällt träd.

(Fig. 86)

Den säkraste metoden är att använda en av följande vinschar:

- Traktormonterad (Fig. 87)
- Portabel (Fig. 88)

Såga träd och grenar som är i spänning

1. Ta reda på vilken sida av trädet eller grenen som är i spänning.
2. Ta reda på var brytpunkten är. (Fig. 89)
3. Undersök hur du säkrast frigör spänningen.

Notera: I vissa situationer är den enda säkra metoden att använda en vinsch, inte din produkt.

4. Stå på en plats där trädet eller grenen inte kan träffa dig när spänningen frigörs. (Fig. 90)
5. Gör ett eller flera snitt med tillräckligt djup för att minska spänningen. Kapa på eller i närheten av brytpunkten. Få trädet eller grenen att brytas av vid brytpunkten. (Fig. 91)



WARNING: Kapa inte helt igenom ett träd eller en gren som är i spänning.



WARNING: Var väldigt försiktig när du kapar ett träd som är i spänning.

Risken finns att trädet rör sig snabbt före eller efter ett snitt. Allvarliga skador kan inträffa om du är på fel plats eller om du kapar felaktigt.

6. Om du måste såga igenom trädet/grenen ska du göra två till tre snitt med 2,5 cm mellanrum och med ett djup på 5 cm. (Fig. 92)
7. Fortsätt att såga mer in i trädet tills trädet/grenen böjs och spänningen frigörs. (Fig. 93)
8. Såga i trädet/grenen från böjens motsatta sida, efter att spänningen har frigjorts.

Underhåll

Introduktion



WARNING: Läs och förstå säkerhetskapitlet innan du utför underhåll på produkten.

Nedan följer en lista över de underhållssteg som ska utföras på produkten. För mer information, se *Underhåll på sida 52*.

Underhållsschema



WARNING: Ta bort batteriet innan du utför underhåll.

Underhåll	Före användning	Varje vecka	Varje månad
Rengör produktens yttre delar.	X		
Kontrollera att gasreglaget och gasreglagespärren fungerar korrekt säkerhetsmässigt.	X		
Rengör kedjebromsen och se till att den fungerar korrekt. Se till att kedjefångaren inte är skadad. Byt ut vid behov.	X		
Vänd svärdet så att slitaget blir jämnare. Kontrollera att smörjhålet på svärdet inte är tilltäppt. Rengör kedjespåret.	X		
Se till att kniv och knivskydd inte har några sprickor och att de inte är skadade. Byt ut kniv eller knivskydd om de har sprickor eller om de utsatts för slag.	X		
Se till att svärdet och sågkedjan har tillräckligt med olja.	X		
Kontrollera sågkedjan dagligen. Titta efter sprickor och se till att sågkedjan inte är stel eller ovanligt sliten. Byt ut vid behov.	X		
Skärp sågkedjan. Kontrollera dess spänning och skick. Kontrollera om kedjedrivhjulet är slitet och byt ut vid behov.	X		
Rengör produktens luftintag.	X		
Se till att skruvar och muttrar är åtdragna.	X		
Se till att knappsatsen fungerar ordentligt och att den inte är skadad.	X		
Fila bort alla grader på svärdets kanter.		X	

Underhåll	Före användning	Varje vecka	Varje månad
Kontrollera anslutningarna mellan batteriet och produkten. Kontrollera anslutningen mellan batteriet och batteriladdaren.			X
Töm och rengör oljetanken.			X
Blås igenom produkten och batteriets kylningsöppningar försiktigt med tryckluft.			X

Underhåll och kontroller av produktens säkerhetsanordningar

Kontrollera kastskyddet

Kontrollera regelbundet kastskyddet och tröghetsfunktionen.

1. Kontrollera att kastskyddet är helt och utan defekter, t.ex. sprickor. (Fig. 94)
2. Kontrollera att kastskyddet rör sig fritt och att det sitter säkert på produkten. (Fig. 95)
3. Lägg produkten, med motorn avstängd, på en stubbe eller en annan stadig yta.
4. Håll i det bakre handtaget och släpp det främre handtaget. Låt produkten falla mot stubben. (Fig. 96)
5. Se till att kedjebromsen aktiveras när svärdet träffar stubben.

Kontrollera bromsreglaget

1. Ställ produkten på ett stabilt underlag och starta den. Se *Introduktion på sida 47*.



VARNING: Se till att sågkedjan inte vidrör marken eller andra föremål.

2. Omslut handtagen med tummar och fingrar och håll i produkten ordentligt. (Fig. 37)
3. Ge fullgas och luta din vänstra handled mot kastskyddet för att aktivera kedjebromsen. Kedjan måste stanna omedelbart. (Fig. 97)



VARNING: Släpp inte det främre handtaget!

Kontrollera gasreglagespärren

1. Kontrollera att gasreglaget och gasreglagespärren går lätt samt att deras returfjädersystem fungerar. (Fig. 98)
2. Tryck på gasreglagespärren och kontrollera att den går tillbaka till sitt ursprungliga läge när du släpper den. (Fig. 99)
3. Kontrollera att gasreglaget är låst i tomgångsläge när gasreglagespärren släpps. (Fig. 100)
4. Starta produkten och ge full gas.

5. Släpp gasreglaget och se till att sågkedjan stannar och att den förblir stilla. Om kedjan roterar med gasreglaget i tomgångsläge ska du kontakta en serviceverkstad.

Kontrollera kedjefångaren

1. Se till att det inte finns några skador på kedjefångaren.
2. Se till att kedjefångaren är stabil och sitter fast på produkten. (Fig. 41)

Kontrollera knappsatsen

1. Starta produkten. Se *Drift på sida 47*
2. Tryck på start-/stoppknappen igen.
3. Se till att produkten stannar när du trycker på knappen och håller den intryckt. Den gröna lysdioden släcks. (Fig. 57)

Kontrollera batteriet och batterifacket

1. Rengör batteriet och batterifacket med en mjuk borste. (Fig. 101)
2. Se till att kylningsöppningarna och batteriets kontakter är rena.
3. Kontrollera att batteriet är helt och utan defekter, t.ex. sprickor. (Fig. 102)

Kontrollera batteriladdaren

1. Kontrollera att batteriladdaren och strömsladden inte är skadade. Titta efter sprickor och andra defekter.

Rengöra kylsystemet

Produkten har ett kylsystem som håller produktens temperatur så låg som möjligt.

Kylsystemet inkluderar ett luftintag på vänster sida av produkten och en fläkt på motorn.

1. Rengör kylsystemet med en borste varje vecka eller oftare vid behov. (Fig. 103)
2. Se till att kylsystemet inte är smutsigt eller igensatt.



OBSERVERA: Ett smutsigt eller igensatt kylsystem gör att produkten blir för varm. Det leder till skador på kolv och cylinder.

Slipa sågkedjan

Information om svärd och sågkedja



WARNING: Använd skyddshandskar när du använder eller utför underhåll på sågkedjan. Även en sågkedja som inte rör sig kan orsaka skador.

Byt ut slitna eller skadade svärd eller sågkedjor mot den svärd- och sågkedjekombination som rekommenderas av Husqvarna. Detta är nödvändigt för att behålla produktens säkerhetsfunktioner. Se *Tillbehör på sida 58* för en lista med svärd- och kedjekombinationer som vi rekommenderar för utbyte.

- Svärds längd, tum/cm. Information om svärds längden finns vanligen på den bakre änden av svärdet.(Fig. 104)
- Antal tänder i noshjulet (T).(Fig. 105)
- Sågkedjedelning, tum. Avståndet mellan sågkedjans drivlänkar måste vara anpassade till avståndet mellan tänderna på svärdets noshjul och kedjedrivhjulet.(Fig. 106)
- Drivlänksantal. Antal drivlänkar avgörs av typen av svärd.(Fig. 107)
- Svärdsspårbredd, tum/mm. Svärdsspårbredden måste vara samma som kedjans drivlänkars bredd.(Fig. 108)
- Kedjeoljehål och hål för kedjespännare. Svärdet måste anpassas till produkten.(Fig. 109)
- Drivlänksbredd, mm/tum.(Fig. 110)

Allmän information om hur man filar knivarna

Använd inte en slö sågkedja. Om sågkedjan är slö måste du anbringa mer kraft för att trycka in svärdet genom träet. Om sågkedjan är mycket slö genereras inga träflisor, utan sågspån.

En välslipad sågkedja äter sig igenom träet och skapar träflis som är långa och tjocka.

Skärtanden (A) och underställningen (B) utgör tillsammans den skärande delen av sågkedjan, kniven. Höjdskillnaden mellan de två avgör skärdjupet (underställningen).(Fig. 111)

Vid filning av en kniv ska du tänka på följande:

- slipvinkeln(Fig. 112)
- stötvinkeln(Fig. 113)
- filläget(Fig. 114)
- rundfilens diameter.(Fig. 115)

Det är svårt att slipa en sågkedja korrekt utan rätt utrustning. Använd en filmall från Husqvarna. Det hjälper dig att behålla maximal skärkapacitet och minimal kastrisk.



WARNING: Kastrisken ökar väsentligt om du inte följer filningsinstruktionerna.

Notera: Se *Fila knivarna på sida 54* för information om filning av sågkedjan.

Fila knivarna

1. Använd en rundfil och en filmall för slipning av skärtänderna. (Fig. 116)

Notera: Se *Tillbehör på sida 58* för information om vilken fil samt vilken filmall som Husqvarna rekommenderar till din sågkedja.

2. Tillämpa filmallen korrekt på kniven. Se anvisningarna för filmall.
3. För filen från insidan av skärtänderna och ut. Minska trycket på returdraget. (Fig. 117)
4. Ta bort material från den ena sidan av alla skärtänder.
5. Vänd på produkten och ta bort material från den andra sidan.
6. Se till att alla skärtänder har samma längd.

Allmän information om hur du justerar underställningen

Underställningen (C) minskar när du slipar en skärtand (A). För att behålla maximal skärkapacitet måste du ta bort filmaterialet från underställningen (B) för att få rekommenderad underställningsnivå. Se *Tillbehör på sida 58* för anvisningar om hur du får korrekt underställning för din sågkedja.

(Fig. 118)



WARNING: För stor underställning ökar kastrisken!

Justera underställningen

Se *Fila knivarna på sida 54* för instruktioner innan du justerar underställningen eller filar knivarna. Vi rekommenderar att underställningen justeras var tredje gång du slipar skärtänderna.

Vi rekommenderar att du använder vår underställningsmall för att få rätt underställning och rätt vinkel på underställningen.

(Fig. 119)

1. Använd en flatfil och en underställningsmall och justera underställningen. Använd endast Husqvarnas underställningsmall för att få rätt underställning och rätt vinkel på underställningen.
2. Lägg underställningsmallen på sågkedjan.

Notera: Se underställningsmallens förpackning för mer information om hur du använder verktyget.

3. Använd flatfilen för att ta bort den del av underställningen som sticker ut genom underställningsmallen. (Fig. 120)

Spänna sågkedjan



VARNING: En sågkedja utan korrekt spänning kan lossna från svärdet och orsaka allvarlig eller livshotande skada.

Ju mer du använder en sågkedja desto längre blir den. Det är viktigt att justera sågkedjan regelbundet.

Kontrollera sågens kedjespänning varje gång du fyller på kedjeolja.

Notera: En ny sågkedja har en inkörningsperiod under vilken man måste kontrollera sågkedjespänningen oftare.

1. Vik ut vredet tills det öppnas. (Fig. 121)
2. Vrid vredet moturs för att lossa kedjedrivhjulet. (Fig. 122)
3. Vrid kedjespännarrhjulet för att justera spänningen på sågkedjan. Sågkedjan måste sitta tätt mot svärdet. (Fig. 123)

Notera: Vrid vredet nedåt (+) för mer spänning och uppåt (-) för mindre spänning. Sågkedjan är korrekt spänd när du kan snurra den lätt för hand men den ändå sitter tätt mot svärdet.

4. Vrid vredet medurs för att spänna svärdhjulet. (Fig. 124)
5. Fäll ner vredet för att låsa spänningen. (Fig. 125)

Kontrollera sågkedjans smörjning

Kontrollera sågkedjesmörjningen var tredje gång du byter batteri.

1. Starta produkten och låt den gå med 3/4 effekt. Håll svärdet ca 20 cm ovanför ett ljust underlag.
2. Om sågkedjesmörjningen är korrekt kommer du att se en tydlig oljerand på ytan efter en minut. (Fig. 126)
3. Om sågkedjesmörjningen inte är korrekt ska du utföra följande kontroller.
 - a) Kontrollera svärdets oljekanal för att se till att den inte är igensatt. Rengör vid behov. (Fig. 127)
 - b) Kontrollera spåret i kanten av svärdet för att se till att det är rent. Rengör vid behov. (Fig. 128)

- c) Kontrollera att svärdets noshjul går lätt samt att noshjulets smörjhål inte är igensatt. Rengör och smörj vid behov. (Fig. 129)

4. Om sågkedjesmörjningen inte fungerar när du har utfört stegen ovan ska du tala med en serviceverkstad.

Utföra underhåll på kedjedrivhjulet

Drivsystemet har ett kedjedrivhjul.

(Fig. 130)

Utför följande underhåll av kedjedrivhjulet:

1. Kontrollera regelbundet slitagenivån hos kedjedrivhjulet. Byt kedjedrivhjul om det är för slitet.
2. Kedjedrivhjulet ska bytas ut när du byter sågkedja.

Kontrollera skärutrustningen

1. Se till att det inte finns några sprickor i nitar och länkar och att inga nitar är lösa. Byt ut vid behov. (Fig. 131)
2. Se till att sågkedjan är lätt att böja. Byt ut sågkedjan om den är stel.
3. Jämför sågkedjan med en ny sågkedja för att avgöra om nitar och länkar är slitna.
4. Byt ut sågkedjan när den längsta delen av skärtanden är kortare än 4 mm. Byt också ut sågkedjan om det finns sprickor på knivarna. (Fig. 132)

Kontrollera svärdet

1. Se till att oljekanalerna inte är igensatt. Rengör vid behov. (Fig. 127)
2. Undersök om det finns grader på svärdets kanter. Ta bort grader med en fil. (Fig. 133)
3. Rengör spåret i svärdet. (Fig. 128)
4. Undersök spåret i svärdet för slitage. Byt ut svärdet vid behov. (Fig. 134)
5. Undersök om svärdsspetsen är ojämn eller mycket slitna. (Fig. 135)
6. Kontrollera att svärdets noshjul går lätt samt att noshjulets smörjhål inte är igensatt. Rengör och smörj vid behov. (Fig. 129)
7. Vänd svärdet dagligen för att förlänga dess livslängd. (Fig. 136)

Felsökning

Felsökningsschema

Tabell

Möjliga felkoder på produktens knappsats.

LED-display	Eventuella fel	Möjlig åtgärd
Varningsindikator blinkar.	Kedjebroms aktiverad.	Dra tillbaka kastskyddet för att frigöra kedjebromsen.
	Temperaturavvikelse.	Låt produkten svalna.
	Överbelastning. Skärutrustning sitter fast.	Skärutrustningen har fastnat. Frigör skärutrustningen.
	Gasreglaget och aktiveringsknappen trycks ned samtidigt.	Släpp gasreglaget så aktiveras produkten.
Grön lysdiod blinkar.	Låg batterispänning.	Ladda batteriet.
Varningsindikator tänd.	Service.	Vänd dig till en serviceverkstad.

Tabell

Felsökning av batteriet och/eller batteriladdaren under laddning.

LED-display	Eventuella fel	Möjlig åtgärd
Varningsindikator blinkar.	Batteriet är urladdat.	Ladda batteriet.
	Temperaturavvikelse.	Använd batteriet i miljöer där temperaturen är mellan -10 °C och 40 °C.
	Överspänning.	Kontrollera att nätspänningen stämmer med den som anges på produktens typskylt. Ta ut batteriet ur batteriladdaren.
Varningsindikator tänd.	För stor batteriskillnad (1 V).	Vänd dig till en serviceverkstad.

Tabell

LED-display	Eventuella fel	Möjlig åtgärd
Varningsindikator blinkar.	Temperaturavvikelse.	Använd batteriet i miljöer där temperaturen är mellan 5 och 40 °C.
Varningsindikator tänd.		Vänd dig till en serviceverkstad.

Transport, förvaring och kassering

Transport och förvaring

- Medföljande litiumjonbatterier uppfyller kraven i lagstiftningen för farligt gods.
- Följ de särskilda kraven för förpackning och etiketter för kommersiella transporter, inklusive av tredje parter och speditörer.
- Tala med en person med särskild utbildning i farliga material innan du skickar produkten. Följ alla tillämpliga nationella föreskrifter.
- Använd tejp på öppna kontakter när du lägger batteriet i en förpackning. Lägg batteriet trångt i förpackningen för att förhindra rörelse.
- Ta ur batteriet vid förvaring eller transport.
- Placera batteriet och batteriladdaren i ett utrymme som är torrt och fritt från fukt och frost.
- Förvara inte batteriet på ställen där statisk elektricitet kan uppkomma. Förvara inte batteriet i en metallåda.
- Förvara batteriet på en plats där temperaturen är mellan 5 och 25 °C, och inte i direkt solljus.
- Förvara batteriladdaren på en plats där temperaturen är mellan 5 och 45 °C, och inte i direkt solljus.
- Använd endast batteriladdaren när omgivningstemperaturen är mellan 5 och 40 °C.
- Ladda batteriet till 30–50 % innan du förvarar det under längre perioder.

- Förvara batteriladdaren på en plats som är stängd och torr.
- Håll batteriet borta från laddaren under förvaring. Låt inte barn och personer som inte är godkända röra utrustningen. Förvara utrustningen på en plats som du kan låsa.
- Rengör produkten och gör en fullständig service innan du ska förvara produkten under en längre tid.
- Använd transportskydd på produkten för att förhindra personskador eller skador på produkten under transport och förvaring.
- Sätt fast produkten under transport.

Avyttring av batteriet, laddaren och produkten

Symbolen nedan innebär att produkten inte är hushållsavfall. Återvinn den vid en återvinningsstation för elektrisk och elektronisk utrustning. Detta bidrar till att förhindra skador på miljön och personskador.

Tala med lokala myndigheter, hushållsavfallservice eller en återförsäljare för mer information.

(Fig. 21)

Notera: Symbolen visas på produkten eller produktens förpackning.

Tekniska data

Tekniska data

	120i
Plattform	CS100EU
Motor	
Typ	BLDC (borstlös) 36 V
Egenskaper	
Energisparläge	savE
Smörjsystem	
Typ av oljepump	Automatisk
Volym oljetank, liter	0,20
Vikt	
Motorsåg utan batteri, svärd, sågkedja och tom kedjeoljetank, kg	2,95
Bulleremissioner ⁴	

⁴ Emission av buller till omgivningen uppmätt som ljudeffekt (L_{WA}) enligt EG-direktiv 2000/14/EG.

	120i
Ljudeffektnivå, uppmätt dB(A)	98
Ljudeffektnivå, garanterad L _{WA} dB(A)	101
Ljudnivåer⁵	
Ekvivalent ljudtrycksnivå vid användarens öra, dB(A)	88
Vibrationsnivåer⁶	
	3,8
Sågkedja/svärd	
Rekommenderade svärds­längder, tum/cm	12/30
Effektiv skärlängd, tum/cm	10/26
Typ av kedjedrivhjul/antal tänder	Spur/6
Maximal kedjehastighet/(savE), m/s	11,5 (10)

Tillbehör

Kombinationer av svärd och sågkedja

Nedanstående skärutrustningar är godkända för Husqvarna 120i.

Svärd				Sågkedja	
Längd, tum	Kedjedelning, tum	Spårbredd, mm	Max. nosradie	Typ	Längd, drivlänkar (st)
12	3/8	1,1	7T	Husqvarna H38	45






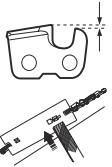
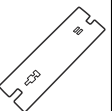

Sliputrustning och vinklar

Använd filmallen från Husqvarna för att få rätt vinklar. Vi rekommenderar att du alltid använder en filmall från Husqvarna för att slipa sågkedjan. Artikelnumren anges i tabellen nedan.

Om du inte vet vilken sågkedja du har på din produkt kan du kontakta en serviceverkstad.

⁵ Ekvivalent ljudtrycksnivå, enligt ISO 22868, beräknas som den tidsvägda totalenergin för olika ljudtrycksnivåer under olika arbetsförhållanden. Typisk statistisk spridning för ekvivalent ljudtrycksnivå är en standardavvikelse på 2,5 dB (A).

⁶ Den deklarerade vibrationsnivån är för handtaget med högst siffror. Normal statistisk spridning för vibrationsnivån är 1,5 m/s.

							
38	11/64 tum/ 4,5 mm	75°	30°	0°	0,025 tum/ 0,65 mm	5056981-03	5795588-01

Godkända batterier

Använd endast Husqvarna BLI-originalbatterier till produkten

Godkända batterier för produkten

Batteri	BLi20		BLi22	
Typ	Litiumjonbatteri		Litiumjonbatteri	
Batterikapacitet, Ah	4,2 (VTC4)	4 (HD2)	4,2 (VTC4)	4,0 (EVE 20P)
Spänning, V	36	36,5	36	36
Vikt, lb/kg	2,6/1,2	2,6/1,2	2,6/1,2	2,6/1,2

Godkända batteriladdare för produkten

Batteriladdare	QC80
Nätspänning, V	100–240
Frekvens, Hz	50–60
Effekt, W	100

Batteriladdare	QC80
Utspänning, V d. c./ Ampere, A	36/2

EG-försäkran om överensstämmelse

EG-försäkran om överensstämmelse

Husqvarna AB, SE-561 82 Huskvarna, Sweden, tel: +46-36-146500, försäkrar härmed på eget ansvar att den sladdlösa batteridrivna motorsågen **Husqvarna 120i (plattform CS100EU)** med serienummer daterade från 2016 och framåt (årtalet följt av serienumret anges tydligt på typskylten) motsvarar föreskrifterna i RÅDETS DIREKTIV:

- av den 17 maj 2006 "angående maskiner" **2006/42/EG**
- av den 26 februari 2014 "angående elektromagnetisk kompatibilitet" **2014/30/EU**
- av den 8 juni 2011 "angående begränsning av användning av vissa farliga ämnen" **2011/65/EU**
- av den 8 maj 2000 "angående emission av buller i miljön" **2000/14/EG**.

Följande standarder har tillämpats: **EN**

60745-1:2009+A11:2010, EN

60745-2-13:2009+A1:2010, EN

55014-1:2006+A1:2009+A2:2011, EN 61000-4-2:2009,

EN 61000-4-3:2006+A1:2008, EN IEC63000:2018.

Anmält organ: TÜV Rheinland LGA Products GmbH, Tillystrasse 2, D-90431 Nuernberg, Germany, 0197, har utfört EG-typkontroll i enlighet med maskindirektivets (2006/42/EG) artikel 12, paragraf 3b.

Intyget har nummer: **BM 50356394 0001**

Den levererade motorsågen överensstämmer med det exemplar som genomgick EG-typkontroll.

För information om bulleremissioner, se *Tekniska data på sida 57*.

Huskvarna, 20181031



Pär Martinsson, utvecklingschef (auktoriserad representant för Husqvarna AB samt ansvarig för tekniskt underlag).

Indhold

Indledning.....	62	Fejlfinding.....	78
Sikkerhed.....	63	Transport, opbevaring og bortskaffelse.....	79
Montering.....	69	Tekniske data.....	80
Drift.....	70	Tilbehør.....	81
Vedligeholdelse.....	74	EU-overensstemmelseserklæring.....	83

Indledning

Produktbeskrivelse

Dette produkt er en motorsavsmode med elektrisk motor.

Der arbejdes konstant på at øge din sikkerhed og effektivitet under drift. Spørg serviceforhandleren for at få yderligere oplysninger.

Produktoversigt

(Fig. 1)

1. Kastbeskyttelse
2. Tastatur
3. SavE-knap
4. Advarselsindikator
5. Start/stop-knap
6. Lås på strømdudløser
7. Bageste håndtag med højrehåndsbekskyttelse
8. Blæserhus
9. Kædeolietank
10. Batterioplader
11. El-ledning
12. Advarselsindikator
13. Stik
14. Brugsanvisning
15. Sværd dæksel
16. Drivhjuls dækslet
17. Kædestrammerhjul
18. Greb
19. Kædefanger
20. Barkstøtte
21. Næsehjul
22. Savkæde
23. Sværd
24. Forreste håndtag
25. Strømdudløser
26. Batteri
27. Knapper til udløsning af batteri
28. Batteristatus
29. Knap, batteristatus
30. Advarselsindikator

Anvendelsesformål

Dette produkt er beregnet til savning i træ.

Bemærk: National lovgivning kan definere begrænsninger på betjeningen af produktet.

Symboler på produktet

- (Fig. 2) Risiko for alvorlig personskade eller dødsfald for brugeren eller andre. Vær forsigtig, og brug produktet korrekt.
- (Fig. 3) Læs brugsanvisningen omhyggeligt igennem, og sørg for at have forstået vejledningen før brug af produktet.
- (Fig. 4) Brug godkendt beskyttelseshjelm, høreværn og øjenværn.
- (Fig. 5) Produktet er i overensstemmelse med gældende EU-direktiver.
- (Fig. 6) Emission af støj og miljøpåvirkning i henhold til EU-direktiv 2000/14/EF og New South Wales' lovgivning om "Beskyttelse af miljøet (støjbegrænsning) forordning 2017 ". Data om emission af støj findes på maskinens mærkat og i kapitlet Tekniske data.
- (Fig. 7) Brugeren skal bruge begge hænder til at håndtere motorsaven.
- (Fig. 8) Anvend ikke motorsaven med én hånd.
- (Fig. 9) Lad ikke sværdspidsen berøre en genstand.
- (Fig. 10) Advarsel! Kast kan forekomme, når sværdspidsen kommer i kontakt med en genstand. Det medfører, at sværdet kastes i retning af brugeren. Risiko for alvorlig personskade eller død.

- (Fig. 11) Savkædens rotationsretning og sværdets maksimale længde.
- (Fig. 12) Kædebremse, aktiveret (højre).
Kædebremse, deaktiveret (venstre).
- (Fig. 13) Kædeoliepåfyldning.
- (Fig. 14) Jævnstrøm.
- (Fig. 15) Må ikke udsættes for regn.
- (Fig. 16) **Miljømærke.** Produktet og produktemballagen er ikke almindeligt husholdningsaffald. Aflever det på en genbrugsstation til elektrisk og elektronisk udstyr.
- (Fig. 20) Typeskiltet viser serienummer. **åååå** er produktionsåret, **uu** er produktionsugen.

Bemærk: Andre symboler/mærkater på produktet henviser til certificeringskrav på visse markeder.

Symboler på batteriet og/eller på batteriopladeren

- (Fig. 21) Aflever produktet på en genbrugsstation for elektrisk og elektronisk udstyr. (Gælder kun Europa)
- (Fig. 17) Fejlsikker transformere.
- (Fig. 18) Brug og opbevar kun batteriopladeren indendørs.
- (Fig. 19) Dobbelt isolering.

Sikkerhed

Sikkerhedsdefinitioner

Definitionerne nedenfor angiver alvorligheden for hvert enkelt signalord.



ADVARSEL: Skade på personer.



BEMÆRK: Beskadigelse af produktet.

Bemærk: Disse oplysninger gør det lettere at bruge produktet.

Generelle sikkerhedsadvarsler om elektrisk værktøj



ADVARSEL: Læs alle sikkerhedsadvarsler og instruktioner. Hvis man ignorerer advarsler og anvisninger, kan det medføre elektrisk stød, brand og/eller alvorlig tilskadekomst.

Bemærk: Opbevar alle advarsler og instruktioner til senere brug. Betegnelsen "elværktøj" i advarslerne henviser til dit værktøj, som drives af strøm fra elektricitetsnettet (med ledning) eller fra batteri (ledningsfrit).

Sikkerhed i arbejdsområdet

- **Hold arbejdsområdet rent og godt oplyst.** Rodede eller mørke områder er en invitation til ulykker.
- **Benyt ikke elværktøj i områder med eksplosionsfare som f.eks. i nærheden af brændbare væsker, luftarter eller støv.** Elværktøj danner gnister, som kan antænde støv eller dampe.
- **Hold barm og tilskuere borte, mens elværktøjet betjenes.** Distraction kan få dig til at miste styringen.

Elektrisk sikkerhed

- **Stikket på elværktøjet skal passe til stikkontakten. Man må aldrig ændre på stikket. Benyt ikke adapterstik i forbindelse med jordet elværktøj.** Uændrede stik og passende stikkontakter reducerer risikoen for elektrisk stød.
- **Undgå kropskontakt med jodede genstande som f.eks. rør, radiatorer, komfurer og køleskabe.** Der er øget risiko for elektrisk stød, hvis din krop har forbindelse til jord.
- **Udsæt ikke elværktøj for regn eller våde omgivelser.** Vand, som trænger ind i et elværktøj, forøger risikoen for elektrisk stød.
- **Behandl kablet forsigtigt. Benyt aldrig kablet til at bære eller trække i elværktøjet eller til at trække stikket ud. Hold ledningen væk fra varme, olie, skarpe kanter eller bevægelige dele.** Beskadigede eller filtrede kabler forøger risikoen for elektrisk stød.
- **Når du betjener et elværktøj udendørs, skal du benytte en forlængerledning, der egner sig til udendørs brug.** Brug af en ledning, der er egnet til udendørs brug, reducerer risikoen for elektrisk stød.

- Hvis det ikke kan undgås, at elværktøj benyttes i fugtige omgivelser, skal der benyttes en strømforsyning, som er beskyttet med jordfejlsafbryder. Brug af et kabel med jordfejlsafbryder nedsætter risikoen for elektrisk stød.

Personlig sikkerhed

- Vær altid opmærksom, hold øje med, hvad du foretager dig, og brug sund fornuft, når du betjener elværktøj. Benyt ikke elværktøj, hvis du er træt eller er påvirket af narkotika, alkohol eller medicin. Et øjeblik uopmærksomhed under betjening af elværktøj kan resultere i alvorlig personskade.
- Bær personligt beskyttelsesudstyr. Brug altid beskyttelsesbriller. Beskyttelsesudstyr som støvmaske, skridsikre sikkerhedssko, beskyttelseshjelm eller høreværn, som benyttes til de relevante formål vil nedsætte risikoen for personskade.
- Sørg for at forhindre uønsket start af værktøjet. Sørg for, at kontakten er i frakoblet position, før du tilslutter produktet til strømkilden og/eller batterienheden, samt når du tager eller bærer produktet. At bære elværktøj med fingeren på kontakten eller at sætte strøm til elværktøj med tændt kontakt er en invitation til ulykker.
- Fjern alle indstillingsnøgler eller tænger, før elværktøjet tændes. En tang eller nøgle, der efterlades på en roterende del af elværktøjet, kan forårsage personskade.
- Stræk dig ikke for langt. Sørg for altid at have godt fodfæste og god balance. Det sikre bedre kontrol med elværktøjet i uventede situationer.
- Bær det korrekte tøj. Undgå at bære løstsiddende tøj eller smykker. Hold hår, tøj og handsker væk fra bevægelige dele. Løst tøj, smykker eller langt hår kan blive fanget af bevægelige dele.
- Hvis der forefindes udstyr til støvudsugning og -opsamling, skal du sikre, at det er tilsluttet, og at det bruges korrekt. Brug af støvopsamling kan nedbringe støvrelaterede farer.
- Vibrationerne under brug af elværktøjet kan være anderledes end den angivne samlede vibrationsværdi, afhængigt af den måde værktøjet anvendes på. Operatøren bør identificere sikkerhedsforanstaltninger, der er baseret på en vurdering af vibrationerne under de faktiske brugsforhold (der tager hensyn til alle dele af drifts cyklussen, som f.eks. når værktøjet er slukket, og når det kører i tomgang), for at beskytte sig selv.

Brug og pleje af elværktøj

- Brug ikke magt ved brug af elværktøjet. Brug det korrekte elværktøj til din opgave. Det korrekte elværktøj udfører arbejdet bedre og mere sikkert ved den norm, som det er konstrueret til.
- Benyt ikke elværktøjet, hvis kontakten ikke kan slå til og fra. Ethvert stykke elværktøj, som ikke kan styres med kontakten, er farligt og skal repareres.

- Tag stikken ud af stikkontakten og/eller fjern batterienheden fra elværktøjet, før du foretager indstillinger, skifter tilbehør eller opbevarer elværktøjet. Denne form for forebyggende sikkerhedsforanstaltninger nedsætter risikoen for, at elværktøjet startes ved et uheld.
- Opbevar elværktøj der ikke er i brug uden for børns rækkevidde og lad ikke personer, der ikke er bekendt med elværktøjet eller disse instruktioner, betjene elværktøjet. Elværktøj er farligt i hænderne på utrænede brugere.
- Vedligehold elværktøjet. Kontroller, om bevægende dele sidder forkert eller binder, om dele er ødelagt og enhver anden tilstand, som kan påvirke elværktøjets funktion. Hvis elværktøjet er beskadiget, skal det repareres, før det bruges igen. Mange ulykker skyldes dårligt vedligeholdt elværktøj.
- Hold skæreprodukter skarpe og rene. Korrekt vedligeholdt skæreprodukter med skarpe klinger er mindre tilbøjelige til at binde og er lettere at styre.
- Benyt elværktøj, tilbehør, værktøjsbits osv. i overensstemmelse med disse instruktioner og tag højde for arbejdsforholdene og det arbejde, der skal udføres. Hvis man bruger det eldrevne produkt til andre formål end de tiltænkte, kan det medføre farlige situationer.

Brug og pleje af batteriredskaber

- Genoplad kun med den oplader, som producenten foreskriver. En lader, der egner sig til en bestemt type batterienhed, kan medføre risiko for brand, hvis den benyttes sammen med en anden batterienhed.
- Brug kun elværktøj sammen med de batterienheder, der er beregnet specifikt til dem. Brug af andre batterienheder medfører risiko for skader og brand.
- Når batterienheden ikke anvendes, skal du holde den væk fra andre metalgenstande, såsom papir, clips, mønter, nøgler, søm, skruer eller andre små metalgenstande, der kan kortslutte polerne. Kortslutning af batteripolerne kan forårsage forbrændinger eller brand.
- Under ugunstige forhold kan der sprøjte væske ud fra batteriet, undgå kontakt. Hvis væsken alligevel berøres, skal der skylles med vand. Hvis du får væske i øjnene, skal du søge læge. Væske, der trænger ud af batteriet, kan forårsage irritation og ætsningsskader.

Service

- Få en kvalificeret reparatør til at foretage service på dit eldrevne produkt, og brug kun originale reservedele. Det vil sikre, at elværktøjets sikkerhed bliver bibeholdt.

Sikkerhedsadvarsler vedr. motorsav

- Hold alle dele af kroppen på sikker afstand af savkæden, når motorsaven er i brug. Før du starter motorsaven, skal du kontrollere, at savkæden ikke er i kontakt med noget. Et øjeblik uopmærksomhed

under betjening af motorsaven kan medføre, at savkæden griber fat i dit tøj eller dele af kroppen.

- **Hold altid motorsaven med højre hånd på det bageste håndtag og venstre hånd på det forreste håndtag.** Hvis motorsaven holdes med omvendt håndstilling, er der forøget risiko for personskade, og det bør derfor aldrig gøres.
- **Hold kun motorredskabet i de isolerede grebsoverflader, da savkæden kan komme i kontakt med skjulte ledninger eller redskabets egen ledning.** Hvis savkæden kommer i kontakt med en strømførende ledning, kan det medføre, at redskabets fritliggende metaldele også bliver strømførende, og at brugeren får elektrisk stød.
- **Bær sikkerhedsbriller og hørevæv.** Yderligere beskyttelsesudstyr til hoved, hænder, ben og fødder anbefales. Egnede beskyttelsestøj vil reducere risikoen for personskader forårsaget af omkringflyvende løse dele og utilsigtet kontakt med savkæden.
- **Betjen ikke en motorsav oppe i et træ.** Betjening af en motorsav, mens brugeren opholder sig i et træ, kan medføre personskade.
- **Sørg altid for at have ordentligt fodfæste, og betjen kun motorsaven, når du står på et fast, sikkert og plant underlag.** Glatte eller ustabile overflader som f.eks. stiger kan medføre, at du taber balancen eller kontrollen over motorsaven.
- **Hvis du værer i en gren, som er under spænding, skal du være opmærksom på, at den kan fjedre tilbage.** Når spændingen i træfibrene frigives, kan den belastede gren ramme brugeren og/eller kaste motorsaven ud af kontrol.
- **Udvis stor forsigtighed ved beskæring af buske og yngre træer.** Det slanke materiale kan gribe fat i savkæden og blive pisket fremad mod dig eller trække dig ud af balance.
- **Bær motorsaven i det forreste håndtag med motorsaven afbrudt og vendt væk fra kroppen. Sæt altid beskyttelseshylsteret på sværdet, når motorsaven transporteres eller opbevares.** Korrekt håndtering af motorsaven vil reducere risikoen for utilsigtet kontakt med den roterende savkæde.
- **Følg anvisningerne for smøring, kædespænding og udskiftning af tilbehør.** En forkert spændt eller smurt savkæde kan bryde eller forøge risikoen for kast.
- **Hold håndtagene tørre, rene og frie for olie og fedt.** Fedtede, olieindsmurte håndtag er glatte og forårsager tab af kontrollen.
- **Sav kun i træ. Brug aldrig motorsaven i modstrid med det tiltænkte formål. For eksempel: Brug ikke motorsaven til at skære i plastik, murværk eller byggematerialer, som ikke er af træ.** Brug af motorsaven til andre opgaver, end den er beregnet til, kan medføre farlige situationer.
- Vi anbefaler på det kraftigste, at nybegyndere øver sig ved at save i kævler på en buk eller en bænk.

Årsager til og brugerens muligheder for at forhindre kast

Der kan opstå kast, hvis sværdspiden kommer i kontakt med genstande, eller hvis træet lukker sig og klemmer savkæden fast i savsporet. Hvis sværdspiden kommer i kontakt med genstande, er der risiko for en meget pludselig bagudrettet reaktion, som kaster sværdet opad og tilbage mod brugeren. Fastklemning af savkæden langs toppen af sværdet kan medføre, at sværdet skubbes tilbage imod brugeren med høj hastighed. Alle disse reaktioner kan medføre, at du mister kontrollen over motorsaven, hvilket kan forårsage alvorlig personskade. Forlad dig aldrig udelukkende på de sikkerhedsanordninger, der er bygget ind i motorsaven. Som bruger af en motorsav skal du træffe en række foranstaltninger for at holde dine saveopgaver fri for ulykker og personskader. Kast er et resultat af misbrug af redskabet og/eller forkerte betjeningsprocedurer eller -forhold og kan forhindres ved iagttagelse af de relevante sikkerhedsforholdsregler som beskrevet nedenfor:

- **Oprethold et sikkert greb med tommelfingrene og de øvrige fingre omkring motorsavens håndtag og begge hænder på motorsaven, og placer kroppen og armene, så du har mulighed for at modstå kræfterne fra eventuelle kast.** Kræfterne, der udløses af kast, kan kontrolleres af brugeren, hvis de relevante forholdsregler træffes. Slip ikke motorsaven.
- **Stræk dig aldrig under arbejdet, og sav ikke over skulderhøjde.** Dermed er det i en vis udstrækning muligt at forhindre utilsigtet kontakt imellem spidsen af sværdet og andre genstande, og kontrollen over motorsaven kan bedre opretholdes i uventede situationer.
- **Brug kun udskiftningssværd og -kæder, der er godkendt af producenten.** Forkerte udskiftningssværd og -kæder kan medføre kædebrud og/eller kast.
- **Følg producentens file- og vedligeholdelsesanvisninger for savkæden.** Reduktion af højden på dybdemåleren kan medføre forøget risiko for kast.

GEM DISSE ANVISNINGER.

Generelle sikkerhedsinstruktioner



ADVARSEL: Læs følgende advarselsinstruktioner, inden du bruger produktet.

- Dette produkt er et farligt værktøj, hvis du ikke er forsigtig, eller hvis du bruger produktet forkert. Dette produkt kan forårsage alvorlig personskade eller død for brugeren eller andre. Det er meget vigtigt, at du læser og forstår indholdet i denne brugsanvisning.
- Du må ikke ændre produktet uden en godkendelse fra producenten. Brug ikke et produkt, der er blevet ændret af andre, og brug altid originalt tilbehør. Ændringer, der ikke er godkendt af producenten, kan

resultere i alvorlig personskade eller dødsfald for brugeren eller andre.

- Langvarig indånding af kædeoliedampe og savsmuld kan give helbredsmæssige problemer.
- Dette produkt danner et elektromagnetisk felt under drift. Dette felt kan i nogle tilfælde påvirke aktive eller passive medicinske implantater. For at mindske risikoen for alvorlig personskade eller dødsfald anbefaler vi, at personer med medicinske implantater kontakter deres læge og producenten af det medicinske implantat, før de tager produktet i brug.

Sikkerhedsinstruktioner for drift



ADVARSEL: Læs følgende advarselsinstruktioner, inden du bruger produktet.

- Oplysningerne i denne brugsanvisning er aldrig en erstatning for faglige færdigheder og erfaring. Hvis du ikke føler dig sikker i den aktuelle situation, skal du stoppe produktet. Henvend dig til serviceforhandleren eller en professionel motorsavsbruger. Undgå at udføre opgaver, som du ikke føler dig tilstrækkeligt kvalificeret til!
- Henvend dig til serviceforhandleren eller Husqvarna, hvis du har spørgsmål om brugen af produktet. Vi kan give dig oplysninger om, hvordan du betjener dit produkt effektivt og sikkert. Tag et kursus i betjening af motorsav, hvis det er muligt. Din serviceforhandler, skovbrugsskolen eller det lokale bibliotek kan give dig yderligere oplysninger om tilgængelige kurser og kursusmaterialer.
- Du skal forstå konsekvenserne af kast, og hvordan de forhindres, før du anvender dette produkt. Se *Oplysninger om kast på side 71* og *Ofte stillede spørgsmål om kast på side 70* for at få vejledning.
- Brug aldrig et produkt, batteri eller en batterioplader, der er defekt.
- Rør ikke ved en roterende savkæde. Det kan medføre alvorlige personskader og død.
- Brug ikke produktet, hvis du er træt, hvis du er påvirket af alkohol eller narkotika, medicin eller andet, som kan forringe dit syn, din årvågenhed, din kropskontrol eller din dømmekraft.
- Arbejde i dårligt vejr er trættende og øger ofte risici for skader. På grund af den øgede risiko anbefales det ikke at bruge maskinen i meget dårligt vejr, f.eks. tæt tåge, kraftig regn, hård vind, kraftig kulde, risiko for lynnedslag.
- Start ikke produktet, uden at sværd, savkæde og alle dæksler er monteret korrekt. Hvis de ikke er, kan drivhjulet løsne sig og forårsage alvorlige personskader. Se *Montering på side 69* for vejledning.(Fig. 22)
- Hold øje med omgivelserne. Kontrollér, at der ikke er nogen risiko for, at personer eller dyr berører eller har indflydelse på din kontrol over produktet.(Fig. 23)
- Lad ikke børn bruge eller være i nærheden af produktet. Produktet er nemt at starte, og børn kan muligvis starte det, hvis de ikke holdes under fuldt opsyn. Dette kan indebære risiko for alvorlige personskade.
- Fjern batteriet, når du ikke har fuldt opsyn med produktet eller efterlader produktet i længere tid.
- Du skal stå stabil på fødderne for at have fuld kontrol over produktet. Brug ikke produktet, hvis du befinder dig på en stige eller i et træ. Brug ikke produktet, hvis du ikke befinder dig på stabil grund. (Fig. 24)
- Hvis du ikke er forsigtig, øges risikoen for kast. Et kast kan forekomme, hvis kastrisikoområdet for sværdet ved et uheld rammer en gren, et træ eller andre genstande.(Fig. 25)
- Hold ikke produktet med kun én hånd. Du kan ikke håndtere produktet sikkert med én hånd.
- Brug ikke produktet over skulderhøjde, og forsøg ikke at save med sværdspidsen. (Fig. 26)
- Brug ikke produktet i en situation, hvor du ikke kan få hjælp, hvis der sker et uheld.
- Stop produktet, og aktiver kædebremsen, før du flytter produktet. Hold produktet med sværdet og savkæden pegende bagud. Sæt en transportafskærmning på sværdet før transport, eller før du flytter det, uanset afstanden.
- Når du anbringer produktet på jorden, skal du aktivere kædebremsen og holde konstant øje med produktet. Stop produktet, og fjern batteriet, før produktet efterlades uden opsyn, uanset hvor længe.
- Der er risiko for, at spåner sætter sig fast i drivsystemet. Dette kan medføre, at savkæden sætter sig fast. Stop altid produktet, og fjern batteriet, før du rengør det.
- Sørg for, at du kan bevæge dig sikkert omkring. Undersøg forholdene og terrænet omkring dig for eventuelle forhindringer som f.eks. rødder, sten, grene, grøfter og andet. Vær forsigtig, når du arbejder på skrånende terræn.
- Vibrationsniveauet øges, hvis du saver med skæreudstyr, der er forkeft eller ikke korrekt fileet. Savning i en hård træsort, f.eks. løvtræer, forårsager flere vibrationer end savning i en blød træsort, f.eks. nåletræer. (Fig. 27)
- Overeksponering for vibrationer kan føre til kredsløbsforstyrrelser og skader på nervesystemet hos personer med nedsat kredsløb. Tal med din læge, hvis du får symptomer på overeksponering af vibrationer. Som eksempler på sådanne symptomer kan nævnes følelseløshed, mangel på følesans, 'kildren', 'stikken', smerte, manglende eller reduceret styrke, forandringer i hudens farve eller i dens overflade. Disse symptomer forekommer som regel i fingre, hænder eller håndled i koldt vejr.
- Undgå situationer, som du mener ligger uden for dine kvalifikationer.

- Det er ikke muligt at medtage alle de situationer, du kan komme til at stå i, når du bruger dette produkt. Vær altid forsigtig, og brug din sunde fornuft. (Fig. 28)

Personligt beskyttelsesudstyr



ADVARSEL: Læs følgende advarselsinstruktioner, inden du bruger produktet.

(Fig. 29)

- De fleste ulykker med motorsave sker, når savkæden rammer brugeren. Du skal bruge godkendt personligt beskyttelsesudstyr under betjening. Personligt beskyttelsesudstyr yder ikke fuld beskyttelse mod personskader, men det mindsker graden af skaderne i tilfælde af, at der skulle ske et uheld. Kontakt en serviceforhandler for at få anbefalinger om, hvilket udstyr der skal bruges.
- Dit tøj skal være tætsiddende, men må ikke begrænse dine bevægelser. Kontrollér regelmæssigt tilstanden af det personlige beskyttelsesudstyr.
- Brug en godkendt beskyttelseshjelm.
- Brug godkendt høreværn. Langvarig eksponering for støj kan medføre permanente høreskader.
- Anvend sikkerhedsbriller eller ansigtssvævn for at reducere risikoen for personskader fra genstande, der slynges ud. Produktet kan slynge genstande som træspåner, små træstykker osv. ud med stor kraft. Dette kan medføre alvorlig skade, især på øjnene.
- Brug handsker med savværn.
- Brug bukser med savværn.
- Brug støvler med savværn, stålnereser og skridsikre såler.
- Hav altid en førstehjælpskasse i nærheden.
- Risiko for gnister. Hav brandslukningsudstyr og en skovl i nærheden som hjælp til at forebygge skovbrande.

Sikkerhedsanordninger på produktet



ADVARSEL: Læs følgende advarselsinstruktioner, inden du bruger produktet.

- Brug ikke et produkt med defekte sikkerhedsanordninger.
- Kontrollér sikkerhedsanordningerne regelmæssigt. Se *Vedligeholdelse og eftersyn af sikkerhedsanordninger på produktet på side 75*.
- Hvis sikkerhedsanordningerne er defekte, skal du henvende dig til din Husqvarna-serviceforhandler.

Tastatur

Advarselsindikatoren blinker, hvis kædebremsen er aktiveret, eller hvis der er risiko for overbelastning. Overbelastningsbeskyttelsen stopper midlertidigt

produktet, og du kan ikke bruge produktet, før temperaturen er tilbage til normal igen. Hvis indikatoren lyser konstant, skal du kontakte din serviceforhandler. (Fig. 30)

Den automatiske stopfunktion

Dette produkt har en automatisk stopfunktion, der stopper produktet, hvis du ikke bruger det inden for et minut.

Kædebremse med kastbeskyttelse

Produktet er forsynet med en kædebremse, der stopper savkæden i tilfælde af kast. Kædebremsen mindsker risikoen for ulykker, men det er kun dig, der kan forhindre dem. (Fig. 31)



ADVARSEL: Undgå situationer, hvor der foreligger kastrisiko. Vær forsigtig, når du bruger dit produkt, og sørg for, at sværdets kastrisikoområde ikke rører et objekt.

(Fig. 32)

Kædebremsen (A) aktiveres manuelt med venstre hånd eller automatisk ved hjælp af træghedsfunktionen. Flyt kastbeskyttelsen (B) fremefter for at aktivere kædebremsen manuelt. Denne bevægelse starter en fjederbelastet mekanisme, som stopper drivhjulene. (Fig. 33)

Sådan aktiveres kædebremsen i forhold til kastets kraft og placeringen af produktet. Hvis du oplever et voldsomt kast, mens kastrisikoområdet er længst væk fra dig, aktiveres kædebremsen af træghedsfunktionen. Hvis kastet er lille, eller kastrisikoområdet er tættere på dig, aktiveres kædebremsen manuelt med venstre hånd. (Fig. 34)

Brug kædebremsen som en parkeringsbremse, når du starter produktet, og når du flytter dig over korte afstande. Dette reducerer risikoen for, at du eller en person i nærheden rører savkæden. (Fig. 35)

Træk kastbeskyttelsen bagud for at deaktivere kædebremsen. (Fig. 36)

Et kast kan være lynhurtigt og meget voldsomt. De fleste kast er små og resulterer ikke altid i, at kædebremsen indkobles. Hvis et kast forekommer, når du bruger produktet, skal du holde godt fast rundt om håndtagene og ikke give slip. (Fig. 37)

Kastbeskyttelsen mindsker også risikoen for at ramme savkæden, hvis din hånd slipper det forreste håndtag. (Fig. 38)

I fældstillingen kan du ikke aktivere kædebremsen manuelt. Når kædebremsen er i denne position, kan den kun tilkobles via træghedsfunktionen. (Fig. 39)

Lås på strømudløser

Låsen på strømudløseren forhindrer utilsigtet betjening af strømudløseren. Hvis du griber fat rundt om håndtaget og trykker på låsen på strømudløseren (A), frigør den strømudløseren (B). Hvis grebet om håndtaget slippes, flyttes både strømudløseren og låsen på strømudløseren tilbage i deres oprindelige stillinger. (Fig. 40)

Kædefanger

Kædefangeren fanger savkæden, hvis den knækker eller løsner sig. Hvis du har den korrekte kædespænding, mindsker risikoen. Du mindsker også risikoen, hvis du foretager den korrekte vedligeholdelse på sværdet og savkæden. Se *Sådan strammes savkæden på side 77* og *Vedligeholdelse på side 74* for vejledning. (Fig. 41)

Højrehåndsbeskyttelse

Højrehåndsbeskyttelsen fungerer som en beskyttelse af din hånd, hvis savkæden knækker eller løsner sig. Det forhindrer også forstyrrelser fra grene og kviste, når du bruger produktet. (Fig. 42)

Batterisikkerhed



ADVARSEL: Læs følgende advarselsinstruktioner, inden du bruger produktet.

- Brug kun de BLi batterier, vi anbefaler til dit produkt. Batterierne er softwarekrypteret.
- Brug kun BLi batterier, der er genopladelige, som strømforsyning til de relaterede Husqvarna produkter. For at undgå personskade, må batteriet ikke anvendes som strømforsyning til andre produkter.
- Risiko for elektrisk stød. Tilslut ikke batteripolerne til nøgler, skruer eller andre metalgenstande. Dette kan medføre en kortslutning af batteriet.
- Brug ikke batterier, der ikke er genopladelige.
- Sæt ikke genstande ind i batteriets luftspalte.
- Hold batteriet væk fra sollys, varme og åben ild. Batteriet kan medføre forbrændinger og/eller kemiske forbrændinger.
- Hold batteriet væk fra regn og våde omgivelser.
- Hold batteriet væk fra mikrobølger og højt tryk.
- Forsøg ikke at skille batteriet ad eller ødelægge det.
- Lad ikke batterisyre komme i kontakt med huden. Batterisyre giver hudskader, korrosion og forbrændinger. Hvis du får batterisyre i øjnene, må du ikke gnide øjnene. Sørg for at skylle dem med rigeligt vand i mindst 15 minutter. Hvis batterisyre har rørt over din hud, skal du rense huden med store mængder vand og sæbe. Opsøg en læge.
- Brug batteriet i temperaturer mellem -10 °C (14 °F) og 40 °C (104 °F).

- Batteriet eller batteriopladeren må aldrig rengøres med vand. Se *Sådan kontrolleres batteriet og batterirummet på side 76*.
- Brug ikke et defekt eller beskadiget batteri.
- Opbevar batterierne væk fra metalgenstande som f.eks. søm, skruer og smykker.
- Opbevar batteriet utilgængeligt for børn.

Batteriopladersikkerhed



ADVARSEL: Læs følgende advarselsinstruktioner, inden du bruger produktet.

- Risiko for elektrisk stød eller kortslutning, hvis sikkerhedsinstruktionerne ikke overholdes.
- Brug en godkendt jordforbundet stikkontakt, der ikke er beskadiget.
- Brug ikke andre batteriopladere end den, der blev leveret med dit produkt. Brug kun Husqvarna QC-ladere, når du oplader Husqvarna reservebatterier BLi.
- Forsøg aldrig at adskille batteriopladeren.
- Brug ikke defekte eller beskadigede batteriopladere.
- Løft aldrig batteriopladeren ved hjælp af ledningen. Træk stikket ud for at afbryde batteriopladeren fra stikkontakten. Træk ikke i ledningen.
- Hold alle kabler og forlængerledninger væk fra vand, olie og skarpe kanter. Sørg for, at ledningen ikke bliver klemt i døre, hegn eller lignende.
- Brug ikke batteriopladeren i nærheden af brandfarlige materialer eller materialer, der kan medføre korrosion. Sørg for, at batteriopladeren ikke er dækket. I tilfælde af røgafgivelse eller brand skal batteriopladeren afbrydes fra stikkontakten.
- Oplad kun batteriet indendørs på et sted med god ventilation og beskyttet mod direkte sollys. Batteriet må ikke oplades udendørs. Oplad ikke batteriet under våde forhold.
- Brug kun batteriopladeren ved temperaturer mellem 5 °C (41 °F) og 40 °C (104 °F). Brug batteriopladeren på et sted med god ventilation, hvor den ikke udsættes for fugt eller støv.
- Sæt ikke genstande ind i batteriopladerens luftspalter.
- Forbind aldrig batteriopladerens poler med metalgenstande, da dette kan kortslutte batteriopladeren.
- Brug godkendte stikkontakter, som ikke er beskadiget.

Sikkerhedsinstruktioner for vedligeholdelse



ADVARSEL: Læs følgende advarselsinstruktioner, inden du udfører vedligeholdelse på produktet.

- Fjern batteriet, inden du udfører vedligeholdelse, anden kontrol eller samler produktet.
- Brugeren må kun udføre den form for vedligeholdelses- og servicearbejde, der beskrives i denne brugervejledning. Kontakt en servicetekniker i forbindelse med større vedligeholdelses- og serviceopgaver.
- Batteriet eller batteriopladeren må aldrig rengøres med vand. Stærke opløsningsmidler kan beskadige plasten.
- Hvis du ikke udfører vedligeholdelse, reduceres levetiden for produktet og risikoen for ulykker øges.
- Der kræves særlig uddannelse til al service og reparation, især for sikkerhedsanordninger på produktet. Hvis ikke alle kontroller i denne brugsanvisning er godkendt, efter du har udført vedligeholdelse, skal du kontakte din servicetekniker. Vi garanterer, at der er professionelle reparationer og vedligeholdelse til rådighed for dit produkt.
- Brug altid kun originale reservedele.
- Brug kun de kombinationer af sværd/savkæde og fileudstyr, som vi anbefaler. Se *Tilbehør på side 81* for yderligere vejledning.
- Brug beskyttelseshandsker, når du bruger eller udfører vedligeholdelse på savkæden. En savkæde, der ikke bevæger sig, kan også forårsage skader.
- Hold skæretænderne korrekt filede. Overhold instruktionerne, og brug det anbefalede ryttermål. En savkæde, der er beskadiget eller forkert filet, øger risikoen for ulykker. (Fig. 43)
- Hold korrekt rytterhøjde. Følg vores instruktioner, og brug den anbefalede rytterindstilling. Hvis rytterindstillingen er for stor, øges risikoen for kast. (Fig. 44)
- Sørg for, at savkæden har den korrekte spænding. Hvis kæden ikke ligger tæt mod sværdet, kan kæden afspores. En forkert savkædespænding øger slitage på sværdet, savkæden og kædedrivhjulet. Se *Sådan strammes savkæden på side 77*. (Fig. 45)
- Udfør vedligeholdelse på skæreudstyret regelmæssigt, og hold det korrekt smurt. Hvis kæden ikke er korrekt smurt, er der øget risiko for slitage på sværdet, savkæden og kædedrivhjulet. (Fig. 46)

Sikkerhedsinstruktioner til skæreudstyret



ADVARSEL: Læs følgende advarselsinstruktioner, inden du bruger produktet.

Montering

Indledning



ADVARSEL: Læs og forstå kapitlet om sikkerhed, før du monterer produktet.

Sådan monteres sværdet og savkæden



ADVARSEL: Fjern altid batteriet, før du samler eller udfører vedligeholdelse på produktet.

1. Deaktiver kædebremsen. (Fig. 47)
2. Løsn knappen, og fjern drivhjulsdækslet (kædebremse) og transportafskærmningen (A). (Fig. 48)
3. Sæt sværdet oven på sværdbolten. Styr sværdet ind i den bageste position. Løft savkæden over drivkædehjulet, og sæt den i indgreb i sporet på sværdet. Start på sværdets overside. (Fig. 49)

4. Kontroller, at æggene på skærelæddene peger fremad på sværdets overside.
5. Montér drivhjulsdækslet, og styr kædejusteringstappen til huller i sværdet.
6. Sørg for, at savkædens drivled sidder perfekt på drivkædehjulet.
7. Sørg for, at savkæden går korrekt i indgreb i sporet i sværdet.
8. Stram savkæden. Se *Sådan strammes savkæden på side 77* for vejledning.

Sådan samles en barkstøtte

Når du vil montere en barkstøtte, skal du tale med din serviceforhandler.

Indledning



ADVARSEL: Læs og forstå kapitlet om sikkerhed, før du bruger produktet.

Udfør en funktionskontrol, inden du bruger produktet

1. Kontrollér kædebremsen (A) for at sikre, at den fungerer korrekt, og at den ikke er beskadiget.
2. Kontrollér den bageste højrehåndsbeskyttelse (B) for at sikre, at den ikke er beskadiget.
3. Kontrollér strømudløseren og låsen på strømudløseren (C) for at sikre, at de fungerer korrekt, og at de ikke er beskadigede.
4. Kontrollér tastaturet (D) for at sikre, at det fungerer korrekt.
5. Sørg for, at der ikke er olie på håndtagene (E).
6. Udfør en kontrol for at sikre, at alle dele er korrekt monteret og ikke er beskadigede eller mangler.
7. Kontrollér kædefangeren (F) for at sikre, at den fungerer korrekt.
8. Kontrollér kædespændingen (G).
9. Oplad batteriet (H), og kontrollér, at det sidder korrekt på produktet.
10. Sørg for, at savkæden standser, når du slipper strømudløseren. (Fig. 50)

Savkædeolie

Alle Husqvarna motorsave har et automatisk kædesmøringssystem. En del af modellerne kan også fås med justerbar olietilførsel.

Tænk på følgende, når du vælger kædeolie:

(Fig. 51)

- Olietanken holder ca. tre batteriopladninger. Dette gælder kun, hvis du bruger den korrekte kædeolie. Hvis kædeolien er for tyndflydende, varer den ikke særlig længe.
- Kædeolie skal vise god vedhæftning til savkæden samt en god flydeevne ved varmt sommervejr og koldt vintervejr.
- Brug en korrekt olietype (passende viskositet) i forhold til lufttemperaturen. Ved temperaturer under 0 °C (32 °F) bliver nogle olier for tykflydende. Dette kan forårsage overbelastning af oliepumpen med skader på oliepumpelede til følge.
- Brug det anbefalede skæreudstyr. Et sværd, der er for langt, vil bruge mere kædeolie.
- Henvend dig til din serviceforhandler, når du vælger en kædeolie.



ADVARSEL: Brug aldrig spildolie! Spildolie er farlig for dig og for miljøet. Spildolie forårsager også skader på oliepumpen, sværdet og savkæden.



ADVARSEL: Hvis smøringen af skæreudstyret ikke er tilstrækkelig, kan det medføre, at savkæden knækker. Dette kan forårsage alvorlig personskade eller dødsfald for brugeren.



BEMÆRK: Hvis du anvender vegetabilsk kædeolie, skal du rengøre sporet i sværdet og savkæden før opbevaring i længere tid. I modsat fald er der risiko for, at savkæden oxiderer, hvilket får savkæden til at blive stiv, og medfører, at sværdets næsehjul bliver tilstoppet.

Ofte stillede spørgsmål om kast

- **Vil hånden altid aktivere kædebremsen i tilfælde af kast?**

Nej. Det er nødvendigt at bruge lidt kræfter til at skubbe kastbeskyttelsen fremad. Hvis du ikke bruger den nødvendige kraft, aktiveres kædebremsen måske ikke. Du skal også holde håndtagene på produktet stabilt med begge hænder under arbejdet. Hvis der opstår et kast, stopper kædebremsen måske ikke savkæden, før den rammer dig. Der er også nogle arbejdsstillinger, som gør, at din hånd ikke kan berøre kastbeskyttelsen for at aktivere kædebremsen.

- **Vil træghedsfunktionen altid aktivere kædebremsen i tilfælde af kast?**

Nej. Først skal kædebremsen fungere korrekt. Se *Vedligeholdelse på side 74* for vejledning i, hvordan du kontrollerer kædebremsen. Vi anbefaler, at du gør dette hver gang, før du anvender produktet. For det andet skal kastets kraft være stor for at aktivere kædebremsen. Hvis kædebremsen er for følsom, kan den aktiveres ved ujævnt arbejde.

- **Beskytter kædebremsen mig altid mod skader i tilfælde af kast?**

Nej. Kædebremsen skal fungere korrekt for at give beskyttelse. Kædebremsen skal også aktiveres under et kast for at stoppe savkæden. Hvis du er i nærheden af sværdet, er det muligt, at kædebremsen ikke når at stoppe savkæden, før den rammer dig.



ADVARSEL: Det er kun dig selv og den rigtige arbejdsteknik, der kan forhindre kast.

Sådan tilsluttes batteriopladeren

1. Slut batteriopladeren til en strømkilde med den spænding og frekvens, der fremgår af typeskiltet.
2. Sæt stikket i en jordet stikkontakt.

Bemærk: Batteriet oplades ikke, hvis batteriets temperatur er over 50 °C/122 °F. Hvis temperaturen er over 50 °C/122 °F, vil batteriopladeren køle batteriet ned.

Opladning af batteriet

Bemærk: Oplad batteriet, hvis det er første gang, du bruger det. Et nyt batteri er kun 30 % opladet.

1. Tilslutning af batteriet til batteriladeren. (Fig. 52)
2. Kontroller, at den grønne opladeindikator på batteriopladeren lyser. Det betyder, at batteriet er korrekt forbundet med batteriopladeren. (Fig. 53)
3. Når alle LED'erne på batteriet tændes, er batteriet fuldt opladet. (Fig. 54)
4. Træk stikket ud for at afbryde batteriopladeren fra stikkontakten. Træk ikke i ledningen.
5. Kobl batteriet fra batteriopladeren.

Bemærk: Der henvises til manualerne til batteriet og batteriopladeren for mere information.

Sådan startes produktet

1. Kontrollér strømudløseren og låsen på strømudløseren. Se *Sådan kontrolleres låsen på strømudløseren på side 76*.
2. Skub kastbeskyttelsen fremefter for at aktivere kædebremsen. (Fig. 38)
3. Sæt batteriet i batteriholderen. (Fig. 55)
4. Tryk på den nederste del af batteriet, indtil du hører et klik.



BEMÆRK: Hvis batteriet ikke bevæger sig let ind i batteriholderen, er det ikke er monteret korrekt ind i batteriholderen.

(Fig. 56)

5. Tryk på start/stop-knappen, og hold den nede, indtil den grønne LED-indikator lyser. (Fig. 57)

Sådan bruges SavE-funktionen

Dette produkt har en strømsparefunktion, SavE. SavE-funktionen reducerer kædens hastighed og giver den længste driftstid fra batteriet.

Bemærk: SavE-funktionen reducerer produktets skærekraft.

1. Tryk på SavE-knappen på tastaturet.
2. Kontroller, at den grønne LED tændes.
3. Tryk på SavE-knappen igen for at afbryde funktionen. Den grønne LED slukker. (Fig. 58)

Sådan standses produktet

1. Tryk på start/stop-knappen på tastaturet, og hold den nede, indtil den grønne LED-indikator slukkes. (Fig. 57)
2. Træk batteriet ud, og tryk på batteriudløserknapperne for at tage batteriet ud af batteriholderen. (Fig. 59)



ADVARSEL: Fjern batteriet, når du ikke bruger produktet, eller når du ikke har fuldt udsyn til produktet. Dette er for at undgå utilsigtet start.

Oplysninger om kast



ADVARSEL: Et kast kan forårsage alvorlig personskade eller død for brugeren eller andre. For at reducere risikoen skal du forstå årsagen til kast, og hvordan du forebygger dette.

Kast sker, når sværdets kastrisikoområde kommer i kontakt med et objekt. Kast kan ske pludseligt og med stor kraft, som slynger produktet mod brugeren. (Fig. 60)

Kast slår altid i sværdplanets retning. Normalt kastes produktet mod brugeren, men det kan også bevæge sig i en anden retning. Det er den måde, du bruger produktet på, når kastet opstår, der bestemmer bevægelsens retning. (Fig. 61)

Kast kan kun ske, når sværdets kastrisikoområde kommer i kontakt med et objekt. Lad ikke kastrisikoområdet røre et objekt. (Fig. 60)

Hvis sværdet har en mindre næseradius, reduceres kastets styrke.

Brug en savkæde med lavt kast for at mindske virkningerne af kastet. Lad ikke kastområdet røre et objekt.



ADVARSEL: Ingen savkæde kan helt forhindre kast. Overhold altid anvisningerne.

Sådan anvendes savningsteknikken



ADVARSEL: Brug fuld kraft, når du saver, og nedsæt hastigheden til tomgang efter hvert savsnit.



BEMÆRK: Lad ikke motoren køre for længe uden belastning. Det kan forårsage skader på motoren.

1. Placer stammen på en savbuk eller runners. (Fig. 62)



ADVARSEL: Forsøg ikke at save træstammer i en bunke. Det øger risikoen for kast og kan medføre alvorlig personskade eller død.

2. Fjern de afsavede stykker fra arbejdsområdet.



ADVARSEL: Afsavede stykker i arbejdsområdet øger risikoen for kast, og for at du ikke kan holde balancen.

Sådan foretages savning i en stamme, der ligger på jorden

1. Sav igennem stammen med trækkende savkæde. Hold fuld kraft, men vær forberedt på pludselige uheld. (Fig. 63)



ADVARSEL: Sørg for, at savkæden ikke kommer i kontakt med jorden, når du har gennemført snittet.

2. Skær ca. $\frac{3}{4}$ igennem stammen, og stop derefter. Drej stammen, og skær fra den modsatte side. (Fig. 64)

Sådan saver du i en stamme, der er understøttet i den ene ende



ADVARSEL: Sørg for, at stammen ikke knækker under savning. Overhold anvisningerne nedenfor.

(Fig. 65)

1. Sav med skubbende savkæde ca. $\frac{1}{3}$ igennem stammen.
2. Sav igennem stammen med trækkende savkæde, indtil de to snit mødes. (Fig. 66)

Sådan saver du i en stamme, der er understøttet i to ender



ADVARSEL: Sørg for, at kæden ikke kommer i klemme i stammen under savning. Overhold anvisningerne nedenfor.

(Fig. 67)

1. Sav med undersiden ca. $\frac{1}{3}$ igennem stammen.
2. Sav igennem den resterende del af stammen med skubbende savkæde for at afslutte snittet. (Fig. 68)



ADVARSEL: Stands motoren, hvis kæden kommer til at sidde fast i stammen. Brug en løftestang til at åbne savsnittet og få produktet fri. Forsøg ikke at rykke produktet løs. Dette kan resultere i personskade, når produktet pludselig løsnes.

Sådan anvendes afkvistningsteknikken

Bemærk: Til tykke grene bruges savteknikken. Se *Sådan anvendes savningsteknikken på side 72*.



ADVARSEL: Der er en høj risiko for uheld ved brug af afkvistningsteknikken. Se *Oplysninger om kast på side 71* for at få instruktioner om at undgå kast.



ADVARSEL: Sav grene af en ad gangen. Vær forsigtig, når du fjerner små grene, og pas på ikke at save i buske eller mange små grene på samme tid. Små grene kan blive fanget i kæden og forhindre sikker brug af produktet.

Bemærk: Klip grene stykke for stykke, hvis det er nødvendigt. (Fig. 69)

1. Fjern grenene på højre side af stammen.
 - a) Hold sværdet på højre side af stammen og hold produktets kabinet mod stammen.
 - b) Vælg den relevante savteknik til spændingen i grenen. (Fig. 70)



ADVARSEL: Hvis du ikke er sikker på, hvordan du skal skære grenen, skal du tale med en professionel motorsavsoperatør, før du fortsætter.

2. Fjern grenene i toppen af stammen.
 - a) Hvil produktet på stammen, og lad sværdet bevæge sig langs stammen.
 - b) Sav med skubbende savkæde. (Fig. 71)
3. Fjern grenene på venstre side af stammen.
 - a) Vælg den relevante savteknik til spændingen i grenen. (Fig. 72)



ADVARSEL: Hvis du ikke er sikker på, hvordan du skal skære grenen, skal du tale med en

professionel motorsavsoperatør, før du fortsætter.

Se *Sådan saves i træer og grene, som befinder sig i spænd på side 74* for at få oplysninger om, hvordan du skal save grene, som er under spænding.

Sådan anvendes træfældningsteknikken



ADVARSEL: Du skal have erfaring for at fælde et træ. Hvis det er muligt, så deltag i et kursus i betjening af motorsave. Tal med en erfaren operatør for at få mere at vide.

Sådan holdes sikker afstand

1. Sørg for, at personer omkring dig holder sikker afstand på mindst 2 1/2 trælængde. (Fig. 73)
2. Sørg for, at der ikke befinder sig personer inden for dette risikoområde før og under fældning. (Fig. 74)

Sådan beregnes faldretningen

1. Undersøg, hvilken retning det er nødvendigt, at træet falder i. Målet er at fælde træet i en position, hvor du nemt kan afvikle og save i stammen. Det er også vigtigt, at du står stabilt på fødderne og kan bevæge dig sikkert omkring.



ADVARSEL: Hvis det er farligt eller ikke muligt at fælde træet i dets naturlige retning, skal du fælde træet i en anden retning.

2. Undersøg den naturlige faldretning af træet. F.eks. hældningen og bøjnningen af træet, vindretning, placeringen af grene og vægten af sne.
3. Undersøg, om der er hindringer, f.eks. andre træer, kraftkabler, veje og/eller bygninger omkring.
4. Se efter tegn på skader og råd i stammen.



ADVARSEL: Råd i stammen kan indebære en risiko for, at træet falder, inden du er færdig med at save.

5. Sørg for, at træet ikke har nogle beskadigede eller døde grene, som kan falde ned og skade dig under fældningsarbejdet.
6. Du må ikke lade træet falde på et andet stående træ. Det er farligt og forbundet med meget stor ulykkesrisiko at fjerne et fastfældet træ. Se *Sådan frigøres et fastfældet træ på side 74*. (Fig. 75)



ADVARSEL: Ved kritiske fældninger skal du løfte dit høreværn, lige så snart savningen er afsluttet. Det er vigtigt, at du lytter efter lyde og advarselssignaler.

Sådan fjerner du stammen og forbereder din retrætevej

Klip alle grene fra skulderhøjde og ned.

1. Sav med undersiden af sværdet oppefra og ned. Sørg for, at træet er mellem dig og produktet. (Fig. 76)
2. Ryd undervegetation fra arbejdsområdet rundt om træet. Fjern alle afskærte materialer fra arbejdsstedet.
3. Udfør en kontrol af området med hensyn til forhindringer som f.eks. sten, grene og huller. Du skal have en let fremkommelig retrætevej, når træet begynder at falde. Retrætevejen bør ligge ca. 135° væk fra faldretningen.

1. Risikoområdet
2. Retrætevejen
3. Fældningsretningen

(Fig. 77)

Sådan fælder man træer

Husqvarna anbefaler, at du laver retningsnit og derefter bruger sikkerhedshjørnemethoden, når du fælder et træ. Sikkerhedshjørnemethoden hjælper dig med at opnå et korrekt brudpunkt og styre faldretningen.



ADVARSEL: Undlad at fælde et træ med en diameter, der er mere end to gange større end sværdets længde. Til dette formål skal du have specialuddannelse.

Sådan foretages retningsnittene

1. Foretag retningsnittene. Vør retningsnittene 1/4 af træets diameter. Lav en vinkel på 45° mellem oversnittet og undersnittet.
 - a) Lav oversnittet først. Ret faldretningsmærket (A) for produktet ind efter træets faldretning (B). Hold dig bag produktet, og sørg for at have træet på din højre side. Sav med trækkende savkæde.
 - b) Lav undersnittet. Sørg for, at enden af undersnittet er på samme sted i slutningen af oversnittet. (Fig. 78)
2. Sørg for, at retningsnitlinjen er helt vandret og vinkelret (90°) på faldretningen. Retningsnitlinjen går gennem det punkt, hvor de to retningsnit mødes. (Fig. 79)

Sådan foretages fældesnittet

Bemærk: Fældesnittet saves på den modsatte side af træet fra retningsnittene.

1. Placer fældesnittet ca. 3-5 cm/1,5-2 tommer over det nederste retningsnit. Snittet skal være helt vandret. (Fig. 80)

2. Hvis du har en barkstøtte, skal du sætte den bag brudpunktet.
3. Sav med trækkende savkæde, brug fuld kraft, og før savkæden/sværdet langsomt ind i træet. Sørg for, at træet ikke falder i en uønsket retning.
4. Brug en kile eller et brækjern i savsnittet, når savsnittet har nøjagtig dybde. (Fig. 81)
5. Fuldfør fældesnittedet parallelt med retningsssnitlinjen. Sørg for, at afstanden mellem dem er mindst 1/10 af stammens diameter. Den del af stammen, der ikke er savet, er brudpunktet. Brudpunktet styrer faldretningen. (Fig. 82)



ADVARSEL: Du har ingen kontrol over faldretningen, hvis brudpunktet er væk, eller hvis det er for tyndt. Dette gælder også, hvis du ikke har foretaget retningsnittene og fældesnittedet korrekt.

(Fig. 83)

6. På dette tidspunkt vil træet falde ved egen kraft eller ved hjælp af en kile eller et brækjern. (Fig. 84)

Bemærk: Brug en sværdlængde, der er længere end træets diameter. Dette hjælper dig med at foretage fældesnittedet og retningsnittene med ét savsnit hver. Se *Tilbehør på side 81* for at finde ud af, hvilke sværdlængder vi anbefalede til dit produkt.

(Fig. 85)

Sådan frigøres et fastfældet træ



ADVARSEL: Det er meget farligt og forbundet med meget stor ulykkesrisiko at fjerne et fastfældet træ. Hold dig ude af risikoområdet, og forsøg ikke at fælde et fastfældet træ.

(Fig. 86)

Den sikreste metode er at bruge et af følgende spil:

- Traktormonteret (Fig. 87)

- Transportabel (Fig. 88)

Sådan saves i træer og grene, som befinder sig i spænd

1. Find ud af, hvilken side af træet eller grenen, der er i spænd.
2. Find ud af, hvor punktet med mest spænding er. (Fig. 89)
3. Undersøg, hvad der er den sikreste procedure for at udløse spændingen.

Bemærk: I nogle situationer er den eneste sikre procedure at bruge et spil og ikke dit produkt.

4. Hold dig på et sted, hvor træet eller grenen ikke kan ramme dig, når spændingen udløses. (Fig. 90)
5. Lav et eller flere savsnit med tilstrækkelig dybde til at mindske spændingen. Sav ved eller i nærheden af punktet med maksimal spænding. Få træet eller grenen til at knække af ved punktet med maksimal spænding. (Fig. 91)



ADVARSEL: Sav ikke helt igennem et træ eller en gren, der er i spænd.



ADVARSEL: Vær forsigtig, når du saver i et træ, der er i spænd. Der er risiko for, at træet bevæger sig hurtigt før eller efter, at du saver i det. Der kan forekomme alvorlig personskade, hvis du er i forkert position, eller hvis du saver forkert.

6. Hvis du skal save tværs igennem træet/grenen, skal du lave 2 til 3 snit 1 tomme fra hinanden og med en dybde på 2 tommer. (Fig. 92)
7. Fortsæt med at save mere ind i træet, indtil træet/grenen bøjer og spændingen udløses. (Fig. 93)
8. Sav træet/grenen fra den modsatte side af bøjningen, efter at spændingen er udløst.

Vedligeholdelse

Indledning



ADVARSEL: Læs og forstå sikkerhedskapitlet, før du udfører vedligeholdelse på produktet.

Vedligeholdelsesskema



ADVARSEL: Fjern batteriet, før du udfører vedligeholdelse.

Nedenfor vises en oversigt over det vedligeholdelsesarbejde, der skal udføres på produktet. Se *Vedligeholdelse på side 74* for flere oplysninger.

Vedligeholdelse	Før hver anvendelse	Ugentligt	Månedligt
Rengør de udvendige dele af produktet.	X		
Kontrollér, at strømudløseren og strømudløserlåsen fungerer i sikkerhedsmæssig henseende.	X		
Rens kædebremsen, og sørg for, at den fungerer sikkert. Sørg for, at kædefangeren ikke er beskadiget. Udskift den om nødvendigt.	X		
Drej sværdet for at få mere ensartet slid på det. Sørg for, at smørehullet i sværdet ikke er tilstoppet. Rens kædesporet.	X		
Sørg for, at skæret og skæreværnet ikke har nogen revner, og at de ikke er beskadigede. Udskift skæret eller skæreværnet, hvis de har revner, eller hvis de har været udsat for slag.	X		
Sørg for, at sværdet og savkæden har nok olie.	X		
Kontrollér savkæden. Se efter revner, og sørg for, at savkæden ikke er stiv eller usædvanligt slidt. Udskift om nødvendigt.	X		
Skærp savkæden. Kontrollér spændingen og tilstanden af savkæden. Kontrollér for slitage af drivhjulet, og udskift efter behov.	X		
Rengør luftindtaget på produktet.	X		
Sørg for, at skruer og møtrikker er spændt.	X		
Kontrollér, at tastaturet fungerer ordentligt, og at det ikke er beskadiget.	X		
Brug en fil til at fjerne ujævnheder fra æggen af sværdet.		X	
Kontrollér forbindelserne mellem batteriet og produktet. Kontrollér forbindelserne mellem batteriet og batteriopladeren.			X
Tøm og rengør olietanken.			X
Blæs forsigtigt igennem produktets og batteriets køleåbninger med trykluft.			X

Vedligeholdelse og eftersyn af sikkerhedsanordninger på produktet

Sådan foretages en kontrol af kastbeskyttelsen

Foretag regelmæssigt kontrol af kastbeskyttelsen og træghedsfunktionen.

1. Kontrollér, at kastbeskyttelsen ikke er beskadiget, og at der ikke er nogen defekter, f.eks. materialerevner. (Fig. 94)
2. Sørg for, at kastbeskyttelsen går let, og at den er sikkert fastgjort til produktet. (Fig. 95)
3. Placer produktet med slukket motor på en stub eller andet stabilt underlag.
4. Hold det bageste håndtag, og slip det forreste håndtag. Lad produktet falde ned på stubben. (Fig. 96)

5. Kontrollér, om kædebremsen indkobles, når sværdet rammer stubben.

Sådan foretages en kontrol af bremseudløseren

1. Anbring produktet på et stabilt underlag, og start det. Se *Indledning på side 70*.



ADVARSEL: Sørg for, at savkæden ikke er i kontakt med jorden eller noget andet.

2. Læg fingrene og tommelfingrene rundt om håndtagene, og hold godt fast på produktet. (Fig. 37)
3. Giv fuld gas, og vip venstre håndled mod kastbeskyttelsen for at aktivere kædebremsen. Savkæden skal stoppe øjeblikkeligt. (Fig. 97)



ADVARSEL: Slip ikke det forreste håndtag!

Sådan kontrolleres låsen på strømudløseren

1. Kontrollér, at strømudløseren og låsen på strømudløseren bevæger sig frit, og at returfederen fungerer korrekt. (Fig. 98)
2. Skub låsen på strømudløseren ned, og sørg for, at den går tilbage til sin oprindelige position, når du slipper den. (Fig. 99)
3. Kontrollér, at strømudløseren låses i tomgangsposition, når låsen på strømudløseren slippes. (Fig. 100)
4. Start produktet, og giv fuld gas.
5. Slip strømudløseren, og sørg for, at savkæden standser, og at den bliver stående stille. Hvis savkæden roterer med strømudløseren i tomgangsposition, skal du kontakte din serviceforhandler.

Sådan foretages en kontrol af kædefangeren

1. Sørg for, at der ikke er skader på kædefangeren.
2. Kontrollér, at kædefangeren er stabil og fastgjort til produktets kabinet. (Fig. 41)

Sådan kontrolleres tastaturet

1. Start produktet. Se *Drift på side 70*
2. Tryk på start/stop-knappen igen.
3. Sørg for, at produktet standser, når du trykker på og holder knappen nede. Den grønne LED-indikator slukkes. (Fig. 57)

Sådan kontrolleres batteriet og batterirummet

1. Rengør batteriet og batterirummet med en blød børste. (Fig. 101)
2. Sørg for, at luftspalterne og batteritilslutningerne er rene.
3. Kontrollér, at batteriet ikke er beskadiget, og at der ikke er andre defekter som f.eks. materialerevner. (Fig. 102)

Sådan kontrolleres batteriopladeren

1. Sørg for, at batteriopladeren eller strømforsyningskablet ikke er beskadiget. Se efter revner og andre defekter.

Sådan renses du kølesystemet

Dette produkt har et kølesystem, der holder produktets temperatur så lav som muligt.

Kølesystemet inkluderer et luftindtag på venstre side af produktet og en blæser på motoren.

1. Rengør kølesystemet med en børste hver uge eller oftere, hvis det er nødvendigt. (Fig. 103)
2. Sørg for, at kølesystemet ikke er snævset eller tilstoppet.



BEMÆRK: Et snævset eller tilstoppet kølesystem kan medføre, at produktet bliver for varmt. Dette forårsager skader på stemplet og cylinderen.

Sådan skærpes savkæden

Information om sværdet og savkæden



ADVARSEL: Brug beskyttelseshandsker, når du bruger eller udfører vedligeholdelse på savkæden. En savkæde, der ikke bevæger sig, kan også forårsage skader.

Udskift slidte eller beskadigede sværd eller savkæder med de kombinationer af sværd og savkæder, der anbefales af Husqvarna. Dette er nødvendigt for at opretholde produktets sikkerhedsfunktioner. Se *Tilbehør på side 81* for en liste over reservesværd og kædekombinationer, vi anbefaler.

- Sværdets længde, tommer/cm. Oplysninger om sværdets længde kan som regel findes på den fjerne ende af sværdet.(Fig. 104)
- Antal tænder i næsehjulet (T).(Fig. 105)
- Kædedeling, tommer. Afstanden mellem drivleddene og savkæden skal justeres ind efter afstanden mellem tænderne på sværdets næsehjul og drivhjulet.(Fig. 106)
- Antal drivled (stk.). Antallet af drivled bestemmes af typen af sværd.(Fig. 107)
- Sværdsporsbredde, tommer/mm. Sporbredden i sværdet skal være den samme som bredden af kædens drivled.(Fig. 108)
- Savkædeoliehul og hul til kædestrammertap. Sværdet skal flugte med produktet.(Fig. 109)
- Drivledsbredde, mm/tommer(Fig. 110)

Generelle oplysninger om, hvordan du filer skæretøjet

Benyt aldrig en sløv savkæde. Hvis savkæden er sløv, skal du påføre mere tryk for at skubbe sværdet gennem træet. Hvis savkæden er meget sløv, er der ingen træspåner, men savsmuld.

En skarp savkæde æder sig gennem træet, og træspånerne bliver lange og tykke.

Skæretanden (A) og dybdemåleren (B) udgør tilsammen den skærende del af savkæden, skæret. Højdeforskellen mellem de to udgør skæredybden (dybdemålerindstilling).(Fig. 111)

Ved filing af skæret skal du tænke på følgende:

- Filevinkel.(Fig. 112)
- Skærevinkel.(Fig. 113)
- Filestilling.(Fig. 114)
- Rundfildiameter.(Fig. 115)

Det er ikke nemt at file en savkæde korrekt uden det rette udstyr. Brug Husqvarna ryttermål. Dette vil hjælpe dig med at bevare maksimal skærekapacitet og minimum risiko for kast.



ADVARSEL: Styrken af et kast øges meget, hvis du ikke følger instruktionerne vedrørende filing.

Bemærk: Se *Sådan filer du skæretøjet på side 77* for at få oplysninger om filing af savkæden.

Sådan filer du skæretøjet

1. Brug en rundfil og et ryttermål til at file skæretænderne. (Fig. 116)

Bemærk: Se *Tilbehør på side 81* for at få oplysninger om, hvilket ryttermål, Husqvarna anbefaler til din savkæde.

2. Sæt ryttermålet korrekt på skæretøjet. Se vejledningen, der leveres med ryttermålet.
3. Flyt filen fra den indvendige side af skæretænderne og ud. Reducer trykket på trækket i savkæden. (Fig. 117)
4. Fjern materiale fra den ene side af skæretænderne.
5. Vend produktet, og fjern materiale fra den anden side.
6. Sørg for, at alle skæretænderne har samme længde.

Generelle oplysninger om, hvordan du justerer rytterhøjden

Rytterhøjden (C) reduceres, når du filer skæretanden (A). For at bevare maksimal skærekapacitet skal du fjerne filningsmaterialer fra ryttermålet (B) for at modtage den anbefalede rytterhøjde. Se *Tilbehør på side 81* for vejledning om, hvordan du opnår den korrekte rytterhøjde for din savkæde.

(Fig. 118)



ADVARSEL: Hvis rytterhøjden er for stor, øges risikoen for kast!

Sådan justeres rytterhøjde

Før du justerer rytterhøjden eller filer skærene, skal du se *Sådan filer du skæretøjet på side 77* for yderligere oplysninger. Vi anbefaler, at du justerer rytterhøjden efter hver tredje savkædefiling.

Vi anbefaler, at du anvender vores dybdemålerværktøj, så du er sikker på at modtage den korrekte rytterhøjde og den rigtige vinkel på rytterhøjden.

(Fig. 119)

1. Brug en fladfil og et dybdemålerværktøj til at justere rytterhøjden. Brug kun Husqvarna-dybdemålerværktøj, så du er sikker på at få de korrekte indstillinger for rytterhøjde og den rigtige vinkel på rytterhøjden.
2. Placer dybdemålerværktøjet på savkæden.

Bemærk: Se dybdemålerværktøjets emballage for yderligere oplysninger om, hvordan du bruger værktøjet.

3. Brug fladfilen til at fjerne den del af ryttermålet, der stikker ud gennem dybdemålerværktøjet. (Fig. 120)

Sådan strammes savkæden



ADVARSEL: En savkæde uden den korrekte spænding kan løsnes fra sværdet og forårsage alvorlig personskade eller dødsfald.

Jo mere du bruger en savkæde, desto længere bliver den. Det er vigtigt at justere savkæden regelmæssigt.

Kontrollér spændingen, hver gang der fyldes kædeolie på.

Bemærk: En ny savkæde kræver en indkøringsperiode, hvor det er nødvendigt at kontrollere spændingen oftere.

1. Fold grebet ud, indtil det åbnes. (Fig. 121)
2. Drej grebet mod uret for at løsne drivhjulsdækslet. (Fig. 122)
3. Drej kædestrammerhjulet for at justere spændingen på savkæden. Savkæden skal være tæt mod sværdet. (Fig. 123)

Bemærk: Drej hjulet ned (+) for mere spænding og op (-) for mindre spænding. Savkæden er spændt korrekt, når du kan dreje den let med hånden, men den sidder stramt mod sværdet.

4. Drej grebet mod uret for at stramme sværdgrebet. (Fig. 124)
5. Fold grebet ned for at låse stramningen. (Fig. 125)

Sådan kontrolleres savkædens smøring

Kontrollér savkædesmøringen ved hver tredje batteriopladning.

1. Start produktet, og lad det køre ved 3/4 af fuld hastighed. Hold sværdet ca. 20 cm (8 tommer) over en lys overflade.
2. Hvis savkædesmøringen er korrekt, vil du se en klar linje af olie på overfladen efter 1 minut. (Fig. 126)
3. Hvis savkædesmøringen ikke er korrekt, skal du foretage følgende kontroller.

- a) Kontrollér oliekanalen i sværdet for at sikre, at den ikke er blokeret. Rens den om nødvendigt. (Fig. 127)
 - b) Kontrollér sporet i kanten af sværdet for at sikre, at det er rent. Rens den om nødvendigt. (Fig. 128)
 - c) Kontrollér, at sværdets næsehjul går let, og at smørehullet på sværdets næsehjul ikke er blokeret. Rens og smør om nødvendigt. (Fig. 129)
4. Hvis savkædesmøringen ikke virker, efter at du har fulgt ovenstående trin, skal du henvende dig til serviceforhandleren.
2. Kontrollér, at savkæden er nem at bøje. Udskift savkæden, hvis den er stiv.
 3. Sammenlign savkæden med en ny savkæde for at afgøre, om nitter og led er slidte.
 4. Udskift savkæden, når den længste del af skæretanden er mindre end 4 mm. Udskift også kæden, hvis der er revner i skærene. (Fig. 132)

Sådan kontrolleres sværdet

1. Sørg for, at oliekanalen ikke er tilstoppet. Rengør den, hvis det er nødvendigt. (Fig. 127)
2. Undersøg, om der er ujævnheder på sværdets kanter. Fjern ujævnheder med en fil. (Fig. 133)
3. Rengør sporet på sværdet. (Fig. 128)
4. Undersøg sporet i sværdet for slitage. Udskift sværdet, hvis det er nødvendigt. (Fig. 134)
5. Undersøg, om sværdspidsen er ujævn eller meget slidt. (Fig. 135)
6. Kontrollér, at sværdets næsehjul bevæger sig frit, og at smørehullet på sværdets næsehjul ikke er blokeret. Rens og smør, hvis det er nødvendigt. (Fig. 129)
7. Drej sværdet dagligt for at forlænge dets levetid. (Fig. 136)

Sådan foretages vedligeholdelse af kædedrivhjulet

Drivsystemet har et drivhjul.

(Fig. 130)

Foretag følgende vedligeholdelse på kædedrivhjulet:

1. Kontrollér regelmæssigt slitageniveauet for drivhjulet. Udskift kædens drivhjul, hvis der er for megen slitage.
2. Udskift drivhjulet, når du udskifter savkæden.

Sådan efterses skæreudstyret

1. Kontrollér, at der ikke er revner i nitter og led, og at ingen nitter er løse. Udskift dem, hvis det er nødvendigt. (Fig. 131)

Fejlfinding

Fejlsøgningstabel

Table 7: Tastatur

Mulige fejlkoder på tastaturet af produktet.

LED-display	Mulige fejl	Mulig løsning
Blinkende advarselsindikator.	Kædebremse aktiveret.	Træk kastbeskyttelsen tilbage for at frikoble kædebremsen.
	Temperaturafvigelse.	Lad produktet køle ned.
	Overbelastning. Skæreudstyret er blokeret.	Skæreudstyret er blokeret. Udløs skæreudstyret.
	Strømdløseren og aktiveringsknappen trykkes ind på én gang.	Udløs strømdløseren, og produktet aktiveres.
Den grønne aktiverings-LED blinker.	Lav batterispænding.	Oplad batteriet.
Advarselsindikatoren lyser.	Service.	Henvend dig til din serviceforhandler.

Table 8: Batteri

Fejlsøgning på batteriet og/eller batteriladeren under opladning.

LED-display	Mulige fejl	Mulig løsning
Blinkende advarselsindikator.	Batteriet er afladet.	Oplad batteriet.
	Temperaturoafvigelse.	Brug batteriet i omgivelser, hvor temperaturer ligger mellem -10 °C/14°F og 40°C/104°F.
	Overspænding.	Kontrollér, at netspændingen svarer til den, der står på typeskiltet på produktet. Fjern batteriet fra batteriopladeren.
Advarselsindikatoren lyser.	Batteriforskellen er for stor (1 V).	Henvend dig til din serviceforhandler.

Table 9: Batterioplader

LED-display	Mulige fejl	Mulig løsning
Blinkende advarselsindikator.	Temperaturoafvigelse.	Brug batteriet i omgivelser, hvor temperaturer ligger mellem 5°C/41°F og 40°C/104°F.
Advarselsindikatoren lyser.		Henvend dig til din serviceforhandler.

Transport, opbevaring og bortskaffelse

Transport og opbevaring

- De medfølgende li-ion-batterier overholder lovkrafterne vedrørende farligt gods.
- Overhold de særlige krav vedrørende emballage og etiketter til kommerciel transport, herunder tredjeparter og speditører.
- Tal med en person med specialuddannelse i farligt materiale, før du sender produktet. Overhold alle gældende nationale bestemmelser.
- Sæt tape på åbne kontakter, når batteriet lægges i en pakke. Sørg for, at batteriet ikke kan bevæge sig i pakken.
- Fjern altid batteriet ved opbevaring eller transport.
- Sæt batteriet og batteriopladeren i et rum, der er tørt og fri for fugt og frost.
- Batteriet må ikke opbevares på steder, hvor statisk elektricitet kan forekomme. Opbevar ikke batteriet i en metalkasse.
- Opbevar batteriet ved temperaturer på mellem 5 °C/41 °F og 25 °C/77 °F og væk fra direkte sollys.
- Opbevar batteriopladeren ved temperaturer på mellem 5 °C/41 °F og 45 °C/113 °F og væk fra direkte sollys.
- Brug kun batteriopladeren ved en omgivende temperatur på mellem 5 °C/41 °F og 40 °C/104 °F.
- Oplad batteriet 30 % til 50 %, før du sætter det til opbevaring i længere tid.
- Opbevar batteriopladeren i et rum, der er lukket og tørt.
- Hold batteriet væk fra batteriopladeren under opbevaring. Lad ikke børn og andre ikke-autoriserede personer røre ved udstyret. Opbevar udstyret i et rum, der kan aflåses.
- Rengør produktet, og udfør fuld service, før du sætter produktet til opbevaring i længere tid.
- Brug transportskærmen på produktet for at forhindre personskader eller skader på produktet under transport og opbevaring.
- Fastsænk produktet sikkert under transporten.

Bortskaffelse af batteriet, batteriopladeren og produktet

Symbolet nedenfor betyder, at produktet ikke er almindeligt husholdningsaffald. Aflever det på en genbrugsstation til elektrisk og elektronisk udstyr. Dette hjælper med at forhindre skader på miljøet og på personer.

Kontakt lokale myndigheder, et renovationselskab eller din forhandler for at få flere oplysninger.

(Fig. 21)

Bemærk: Symbolet vises på produktet eller emballagen til produktet.

Tekniske data

Tekniske data

	120i
Platform	CS100EU
Motor	
Type	BLDC (børsteløs) 36 V
Funktioner	
Lavenergitilstand	savE
Smøresystem	
Type af oliepumpe	Automatisk
Olietankens kapacitet, liter	0,20
Vægt	
Motorsav uden batteri, sværd, savkæde og tom kædeolietank, kg	2,95
Støjemissioner ⁷	
Lydeffektniveau, målt dB(A)	98
Lydeffektniveau, garanteret L _{WA} dB(A)	101
Lydniveauer ⁸	
Ækvivalent lydtrykniveau ved brugerens øre, dB(A)	88
Vibrationsniveauer ⁹	3,8
Savkæde/sværd	
Anbefalede sværdlængder, tommer/cm	12/30
Effektiv skærelængde, tommer/cm	10/26

⁷ Emission af støj til omgivelserne målt som lydeffekt (L_{WA}) i henhold til EF-direktiv 2000/14/EF.

⁸ Ækvivalent lydtrykniveau i henhold til ISO 22868 beregnes som den tidsvægtede energisum for forskellige lydtrykniveauer ved forskellige driftstilstande. Typisk statistisk spredning for et ækvivalent lydtrykniveau er en standardafvigelse på 2,5 dB (A).

⁹ Det angivende vibrationsniveau er til håndtaget med de højeste tal. Den typiske statistiske spredning for vibrationsniveau er 1,5 m/s.

	120i
Type af drivhjul/antal tænder	Spur/6
Maks. kædehastighed/(savE), m/s	11,5 (10)

Tilbehør

Kombinationer af sværd og savkæde



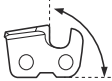


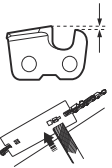
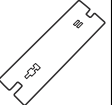

Følgende skæreudstyr er godkendt til Husqvarna 120i.

Sværd				Savkæde	
Længde, tommer	Kædedeling, tommer	Sporbredde, mm	Maks. antal tænder, næsehjul	Type	Længde, drivled (nr.)
12	3/8	1,1	7T	Husqvarna H38	45

Opfyldningsudstyr og filevinkler

Brug af Husqvarna ryttermål giver dig de korrekte filevinkler. Vi anbefaler, at du altid bruger et Husqvarna ryttermål til at gendanne savkædens skarphed. Reservedelnumrene fremgår af nedenstående tabel.

Hvis du ikke ved, hvilken savkæde du har på dit produkt, skal du kontakte din serviceforhandler.

							
38	11/64"/4,5 mm	75°	30°	0°	0,025"/0,65 mm	5056981-03	5795588-01

Godkendte batterier

Brug kun Husqvarna originale BLi -batterier til dette produkt.

Godkendte batterier til produktet

Batteri	BLi20		BLi22	
Type	Lithiumion		Lithiumion	
Batterikapacitet, Ah	4,2 (VTC4)	4 (HD2)	4,2 (VTC4)	4,0 (EVE 20P)
Spænding, V	36	36,5	36	36
Vægt, lb/kg	2,6/1,2	2,6/1,2	2,6/1,2	2,6/1,2

Godkendte batteriopladere til produktet

Batterioplader	QC80
Netspænding, V	100-240
Frekvens, Hz	50-60
Effekt, watt	100
Udgangsspænding, V (jævnstrøm)/ ampere, A	36/2

EU-overensstemmelseserklæring

EU-overensstemmelseserklæring

Husqvarna AB, SE-561 82 Huskvarna, Sweden, Tlf.: +46-36-146500, erklærer hermed og påtager sig det fulde ansvar for, at den trådløse batteridrevne motorsav **Husqvarna 120i (Platform CS100EU)** fra 2016's serienumre og fremad (året er angivet i klartekst på typeskiltet sammen med et efterfølgende serienummer) opfylder forskrifterne i RÅDETS DIREKTIV:

- af den 17. maj 2006 "angående maskiner" **2006/42/EF**.
- af den 26. februar 2014 "angående elektromagnetisk kompatibilitet" **2014/30/EU**.
- af den 8. juni 2011 angående "begrænsning af anvendelsen af visse farlige stoffer" **2011/65/EU**
- af den 8. maj 2000 "angående emission af støj til omgivelserne" **2000/14/EF**.

Der er anvendt følgende standarder: **EN**

60745-1:2009+A11:2010, EN

60745-2-13:2009+A1:2010, EN

55014-1:2006+A1:2009+A2:2011, EN 61000-4-2:2009,

EN 61000-4-3:2006+A1:2008, EN IEC63000:2018.

Udpeget organ: TÜV Rheinland LGA Products GmbH, Tillystrasse 2, D-90431 Nuernberg, Germany, 0197, har foretaget en EF-typegodkendelse i henhold til maskindirektivets (2006/42/EF) artikel 12, pkt. 3b.

Certifikatet har nummer: **BM 50356394 0001**

Den leverede kædesav er i overensstemmelse med det produkt, der er godkendt i henhold til EU-typegodkendelse.

Vedr. oplysninger om støjafgivelse: Se *Tekniske data på side 80*.

Huskvarna, 20181031



Pär Martinsson, udviklingschef (autoriseret repræsentant for Husqvarna AB og ansvarlig for teknisk dokumentation)

INNHold

Innledning.....	84	Feilsøking.....	100
Sikkerhet.....	85	Transport, oppbevaring og avhending.....	101
Montering.....	91	Tekniske data.....	101
Drift.....	91	Tilbehør.....	102
Vedlikehold.....	96	EF-samsvarserklæring.....	105

Innledning

Produktbeskrivelse

Dette produktet er en motorsagmodell med elektrisk motor.

Det pågår et kontinuerlig arbeid for å øke sikkerheten og effektiviteten din under bruk. Kontakt serviceforhandleren din for mer informasjon.

Produktoversikt

(Fig. 1)

1. Kastbeskyttelse
2. Tastatur
3. SavE-knapp
4. Advarselsindikator
5. Start/stopp-knapp
6. Kraftutløserperre
7. Bakre håndtak med høyrehåndsbekyttelse
8. Viftehus
9. Kjedeføjetank
10. Batterilader
11. Strømledning
12. Advarselsindikator
13. Kobling
14. Bruksanvisning
15. Sverddeksel
16. Drivhjuldeksel
17. Kjedestrammerhjul
18. Knott
19. Kjedefanger
20. Barkstøtte
21. Nesehjul
22. Sagkjede
23. Sverd
24. Fremre håndtak
25. Kraftutløser
26. Batteri
27. Batteriutløserknapper
28. Batteristatus
29. Knapp, batteristatus
30. Advarselsindikator

Bruksområder

Dette produktet er ment for saging i tre.

Merk: Nasjonale forskrifter kan sette grenser for bruken av produktet.

Symboler på produktet

- (Fig. 2) Risiko for alvorlig personskade eller død for operatøren eller andre. Vær forsiktig, og bruk produktet riktig.
- (Fig. 3) Les bruksanvisningen nøye, og sørg for at du forstår instruksjonene før du bruker produktet.
- (Fig. 4) Bruk godkjent vernehjelm, hørselsvern og vernebriller.
- (Fig. 5) Dette produktet er i samsvar med relevante EU-direktiver.
- (Fig. 6) Støyutslipp til omgivelsene i henhold til EU-direktiv 2000/14/EF og New South Wales-forskriften «Protection of the Environment Operations (Noise Control) Regulation 2017». Du finner informasjon om støyutslipp på maskinetiketten og i kapitlet Tekniske data.
- (Fig. 7) Brukeren må alltid bruke begge hendene til å betjene motorsagen.
- (Fig. 8) Bruk aldri motorsagen ved å holde den bare med én hånd.
- (Fig. 9) Ikke la sverdspissen berøre noen gjenstand.
- (Fig. 10) Advarsel! Det kan skje kast når sverdspissen treffer en gjenstand. Det fører til at sverdet slynges i retning av

brukeren. Risiko for alvorlig personskade eller dødsfall.

- (Fig. 11) Sagkjedets rotasjonsretning og maksimum sverdlengde.
- (Fig. 12) Kjedefrem, koblet inn (høyre). Kjedefrem, koblet ut (venstre).
- (Fig. 13) Påfylling av kjedeolje.
- (Fig. 14) Direktestrøm.
- (Fig. 15) Må ikke utsettes for regn.
- (Fig. 16) **Miljømerke.** Produktet og produktemballasjen er ikke restavfall. Resirkuler det på et gjenvinningsanlegg for elektrisk og elektronisk utstyr.
- (Fig. 20) Typeskiltet viser serienumeret. **yyyy** er produktårsåret, **ww** er produktårsuken.

Merk: Øvrige symboler/klistremerker angitt på produktet gjelder sertifiseringskrav for visse markeder.

Symboler på batteriet og/eller batteriladeren

- (Fig. 21) Lever dette produktet til et gjenvinningsanlegg for elektrisk og elektronisk utstyr. (Gjelder kun Europa)
- (Fig. 17) Feilsikker transformator.
- (Fig. 18) Batteriladeren skal bare brukes og oppbevares innendørs.
- (Fig. 19) Dobbeltisolert.

Sikkerhet

Sikkerhetsdefinisjoner

Definisjonene nedenfor angir alvorlighetsgraden for hvert signalord.



ADVARSEL: Skade på personer.



OBS: Skade på produktet.

Merk: Denne informasjonen gjør produktet lettere å bruke.

Generelle sikkerhetsadvarsler for motorredskaper



ADVARSEL: Les alle sikkerhetsadvarsler og instruksjoner. Hvis du ikke følger advarslene og instruksjonene, kan det føre til elektrisk støt, brann og/eller alvorlig personskade.

Merk: Ta vare på alle advarsler og instruksjoner for fremtidig bruk. Begrepet «el-verktøy» i advarslene

referer til elektrisk verktøy som drives av nettstrøm (med ledning) eller batteri (uten ledning).

Sikkerhet i arbeidsområdet

- **Hold arbeidsområdet rent og godt opplyst.** Rot og dårlig opplyste områder kan lett føre til ulykker.
- **Bruk ikke el-verktøy i eksplosiv atmosfære, for eksempel der det finnes brennbare væsker, gasser eller støv.** El-verktøy danner gnister som kan antenne støv eller gasser.
- **Hold barn og andre tilskuere på avstand når el-verktøyet er i bruk.** Distraksjoner kan føre til at du mister kontrollen.

Elektrisk sikkerhet

- **Støpselet til el-verktøyet må passe til stikkkontakten. Du må aldri modifisere støpselet på noen måte. Adapterpluggen må ikke brukes sammen med jordet el-verktøy.** Når støpselet/pluggen ikke er modifisert og stikkkontakten passer vil det redusere faren for elektrisk støt.
- **Unngå kroppskontakt med jodede flater, for eksempel rør, radiatorer, komfyrer og kjøleskap.** Faren for elektrisk støt øker hvis kroppen til brukeren er forbundet med jord.
- **El-verktøy må ikke utsettes for regn eller fuktighet.** Hvis det kommer vann inn i el-verktøyet øker faren for elektrisk støt.
- **Ledningen må håndteres forsiktig. Bruk aldri ledningen til å bære eller trekke noe, eller til å trekke**

ut støpselet. Hold kablen unna varme, olje, skarpe kanter og bevegelige deler. Skadde eller sammenflokete ledninger øker faren for elektrisk støt.

- Når el-verktøyet brukes utendørs må det brukes en skjøteledning som er egnet for bruk utendørs. Bruk av kabel for utendørs bruk reduserer faren for elektrisk støt.
- Hvis el-verktøyet må brukes på et fuktig sted, må det anvendes en strømforsyning som er beskyttet mot jordfeil/overbelastning. Bruk av jordfeilbryter/automatsikring reduserer faren for elektrisk støt.

Personlig sikkerhet

- Vær oppmerksom, følg med på det du gjør, og bruk sunn fornuft når du bruker et elektrisk verktøy. Ikke bruk et elektrisk verktøy hvis du er trett eller påvirket av narkotika, alkohol eller legemidler. Et øyeblikks uoppmerksomhet ved bruk av el-verktøy kan føre til alvorlig personskade.
- Bruk personlig verneutstyr. Bruk alltid vernebriller. Bruk av verneutstyr som støvmaske, vernesko med antisklisåle, hjelm og hørselvern der det kreves reduserer faren for personskade.
- Unngå utilsiktet oppstart. Forsikre deg om at bryteren står i AV-stillingen før du kobler til strømforsyningen og/eller batteripakken, tar opp verktøyet eller bærer verktøyet. Hvis du bærer verktøyet med en finger på bryteren eller med el-verktøyet påslått, kan det lett føre til ulykker.
- Fjern eventuelle justeringsnøkler før du slår på el-verktøyet. En nøkkel som sitter på en roterende del av el-verktøyet kan føre til personskade.
- Ikke strökk deg for langt. Hold alltid føttene på bakken og en balansert stilling. Dette gir deg bedre kontroll over el-verktøyet i uventede situasjoner.
- Bruk egnede klær. Bruk ikke løstsittende klær eller smykker. Hold hår, klær og hanser borte fra bevegelige deler. Løstsittende klær, smykker eller langt hår kan sette seg fast i bevegelige deler.
- Hvis apparatet er forsynt med tilkobling for støvsuger eller oppsamlere, må du forsikre deg om at disse er riktig tilkoblet og brukes på riktig måte. Bruk av støvoppsamlere kan redusere faren for støvrelaterte skader.
- Vibrasjonsnivået under faktisk bruk av det motoriserte redskapet kan avvike fra den oppgitte totalverdien, avhengig av hvordan redskapet brukes. Brukeren må treffe sikkerhetstiltak for å beskytte seg, basert på et anslag av eksponeringen under de faktiske bruksforholdene (med hensyn til alle deler av operasjonssyklusen, for eksempel når verktøyet slås av og når det går på tomgang).

Bruk og vedlikehold av el-verktøy

- Bruk ikke makt på el-verktøyet. Bruk riktig el-verktøy for arbeidet som skal utføres. Riktig el-verktøy gjør jobben på en bedre og sikrere måte i den hastigheten det er konstruert for.

- Bruk ikke el-verktøyet hvis bryteren ikke lar seg slå på og av. El-verktøy som ikke kan kontrolleres med bryteren er farlig, og må repareres.
- Koble pluggen fra strømforsyningen og/eller batteripakken fra elverktøyet før du foretar justeringer, skifter tilbehør eller lagrer el-verktøyet. Slike forebyggende sikkerhetstiltak reduserer faren for at el-verktøyet starter ved et uhell.
- El-verktøy som ikke er i bruk må oppbevares utilgjengelig for barn. La ikke el-verktøyet brukes av personer som ikke er kjent med el-verktøyet eller disse instruksjonene. El-verktøy er farlige i hendene på uerfarne brukere.
- Vedlikehold av el-verktøy. Kontroller justeringen av bevegelige deler, samt at de ikke sitter fast. Kontroller at det ikke finnes ødelagte deler eller andre feil som kan påvirke bruken av el-verktøyet. Hvis el-verktøyet er skadet må det repareres før bruk. Mange ulykker forårsakes av dårlig vedlikeholdt el-verktøy.
- Hold skjæreverktøy skarpe og rene. Riktig vedlikeholdte skjæreverktøy med skarpe skjærekanter har mindre fare for å sette seg fast, og er lettere å kontrollere.
- Bruk el-verktøyet, tilbehør og verktøybits osv. i henhold til disse instruksjonene, med hensyn til arbeidsforholdene og arbeidet som skal utføres. Bruk av elektroverktøy til andre oppgaver enn det er laget for kan føre til farlige situasjoner.

Bruk og pleie av batteriverktøy

- Må bare lades med laderen som er spesifisert av produsenten. En lader som passer til én batteripakke kan skape brannfare hvis den brukes med en annen batteripakke.
- Bruk elektriske verktøy bare med spesielt designede batteripakker. Bruk av andre batteripakker kan medføre fare for personskade og brann.
- Når batteriet ikke er i bruk, må det holdes unna andre metallgjenstander som binders, mynter, nøkler, spiker, skruer og andre små metallgjenstander som kan danne en forbindelse fra den ene batteripolen til den andre. Kortslutning av batteripolene kan føre til forbrenning eller brann.
- Hvis batteriet utsettes for store påkjenninger, kan det komme væske ut av det. Unngå i så fall kontakt med denne væsken. Skyll med vann hvis kontakt oppstår ved et uhell. Hvis du får væske i øynene, kontakt lege øyeblikkelig. Væske som kommer ut av batteriet kan forårsake irritasjon eller forbrenninger.

Service

- La en kvalifisert tekniker/reparatør utføre service, og gjøre eventuelle utskiftninger kun med identiske reservedeler. Dette sikrer at elektroverktøyet sikkerhet opprettholdes.

Sikkerhetsadvarsler for motorsag

- Hold alle deler av kroppen unna sagkjedet når motorsagen er i bruk. Kontroller at sagkjedet ikke

berører noe før du starter motorsagen. Et øyeblikks uoppmerksomhet mens du bruker motorsagen kan føre til at klær eller kroppsdeler setter seg fast i sagkjedet.

- **Hold alltid motorsagen med høyre hånd på det bakerste håndtaket og venstre hånd på det fremste håndtaket.** Motorsagen må aldri holdes med hendene i motsatt posisjon. Dette øker faren for personskade.
- **Hold det elektriske verktøyet bare i den isolerte gripeflaten.** Motorsagen kan komme i kontakt med skjulte ledninger eller sin egen ledning. Hvis sagkjedet kommer i kontakt med en strømførende ledning, kan blottlagte metalldele på verktøyet bli strømførende, og dette kan gi brukeren elektrisk støt.
- **Bruk vernebriller og hørselsvern.** Det anbefales å bruke ytterligere verneutstyr til hode, hender, ben og føtter. Eget verneklær reduserer faren for å bli skadet av flygende gjenstander eller utilsiktet kontakt med sagkjedet.
- **Bruk aldri motorsag i et tre.** Bruk av motorsag oppe i et tre kan føre til personskade.
- **Sørg for at du alltid står støtt, og bruk motorsagen bare mens du står på fast, sikkert og flatt underlag.** Glatte eller ustabile underlag som for eksempel stiger kan føre til at du mister balansen eller mister kontrollen over motorsagen.
- **Vær oppmerksom på at gjenstanden kan bevege seg når du sager i treverk som står i spenn.** Når spenningen i trefibrene utløses, kan gjenstanden som står i spenn treffe brukeren og/eller føre til at motorsagen kommer ut av kontroll.
- **Vær ekstremt forsiktig ved saging i busker og ungtrær.** Det slanke materialet kan sette seg fast i sagkjedet og bli slynget mot deg, eller føre til at du mister balansen.
- **Bær motorsagen i det fremre håndtaket med motorsagen avslått og vendt bort fra kroppen.** Sverddekslet må alltid være montert ved transport eller lagring av motorsagen. Riktig håndtering av motorsagen reduserer faren for utilsiktet kontakt med det roterende sagkjedet.
- **Følg instruksjonene for smøring, kjedestramming og bytte av tilbehør.** Kjedet kan ryke og faren for kast økes hvis sagkjedet ikke er riktig strammet og smurt.
- **Hold håndtakene tørre, rene og frie for olje og fett.** Fettete eller oljete håndtak er glatte, og kan føre til at du mister kontrollen.
- **Sag bare i tre.** Motorsagen må ikke brukes til andre formål enn den er ment for. Motorsagen skal for eksempel ikke brukes til å sage i plast, murverk eller andre byggematerialer bortsett fra tre. Hvis motorsagen brukes til andre formål enn den er ment for, kan det oppstå farlige situasjoner.
- Vi anbefaler sterkt at førstegangsbrukere øver på å sage stammer i en sagbukke.

Årsaker til og forholdsregler mot kast

Kast kan forekomme når sverdspissen kommer i kontakt med en gjenstand, eller hvis treet klemmer fast sagkjedet i sagsporet. Hvis sverdspissen kommer i kontakt med en gjenstand, kan det i enkelte tilfeller føre til en plutselig motsatt reaksjon der sverdspissen kastes oppover og bakover mot brukeren. Hvis sagkjedet klemmes fast på oversiden av sverdet, kan sverdet bli skjøvet raskt tilbake mot brukeren. Disse reaksjonene kan føre til at du mister kontrollen over sagen, noe som kan føre til alvorlig personskade. Du må ikke stole blindt på sikkerhetsinnretningene som er innebygde i sagen. Som bruker av motorsag må du følge flere forholdsregler for å sikre at arbeidet ikke fører til ulykker eller personskader. Kast er et resultat av feil bruk av redskapet og/eller feil prosedyrer eller arbeidsforhold, og kan unngås ved å følge forholdsreglene nedenfor:

- **Sørg for at du har godt grep med tomler og fingre rundt saghåndtakene, med begge hender på sagen og med kroppen og armen i en stilling der du kan motstå kraften i et kast.** Kreftene i et kast kan kontrolleres av brukeren hvis de riktige forholdsreglene følges. Ikke slipp motorsagen.
- **Unngå å strekke deg for å øke rekkevidden, og sag ikke over skulderhøyde.** Dette bidrar til å hindre utilsiktet kontakt med sverdspissen, og gir bedre kontroll over motorsagen i uventede situasjoner.
- **Bruk bare sverd og kjeder som er spesifisert av produsenten.** Bruk av feil sverd eller kjede kan føre til at kjedet ryker og/eller at det oppstår kast.
- **Følg produsentens instruksjoner for filing og vedlikehold av sagkjedet.** Hvis dybdemålerens høyde reduseres, kan det føre til økt fare for kast.

TA VARE PÅ DENNE BRUKSANVISNINGEN.

Generelle sikkerhetsinstruksjoner



ADVARSEL: Les de følgende advarslene før du bruker produktet.

- Dette produktet er et farlig verktøy hvis du ikke er forsiktig, eller hvis du bruker produktet på feil måte. Dette produktet kan føre til alvorlig personskade eller død for operatøren eller andre. Det er meget viktig at du leser og forstår innholdet i denne bruksanvisningen.
- Ikke andre produkter uten godkjenning fra produsenten. Ikke bruk et produkt som har blitt endret av andre, og bruk alltid originalt tilbehør. Endringer som ikke er godkjent av produsenten, kan føre til alvorlig personskade eller død for operatøren eller andre.
- Langvarig innånding av oljedamp eller sagmugg kan føre til helseproblemer.
- Dette produktet danner et elektromagnetisk felt når det er i bruk. Dette feltet kan under visse forhold forstyrre aktive eller passive medisinske implantater. For å redusere faren for alvorlig eller livstruende

personskade anbefaler vi at personer med medisinske implantater rådfører seg med legen sin og produsenten av det medisinske implantatet før de bruker dette produktet.

Sikkerhetsinstruksjoner for drift



ADVARSEL: Les de følgende advarselinstruksjonene før du bruker produktet.

- Informasjonen i denne bruksanvisningen er ikke en erstatning for fagkunnskap eller erfaring. Hvis du ikke føler deg sikker i situasjonen du er i, må du slå av produktet. Kontakt serviceforhandleren din eller en profesjonell motorsagoperatør. Unngå all bruk som du ikke føler deg tilstrekkelig kvalifisert til!
- Kontakt serviceforhandleren din eller Husqvarna hvis du har spørsmål om bruken av produktet. Vi kan gi deg informasjon om hvordan du bruker produktet på en effektiv og sikker måte. Ta et kurs i bruk av motorsag hvis du har mulighet til det. Serviceforhandleren, skogbruksskolen eller biblioteket kan gi deg informasjon om tilgjengelig opplæringsmateriell og tilgjengelige kurs.
- Du må forstå virkningene av kast og hvordan du forebygger dem, før du bruker dette produktet. Se *Kastinformasjon på side 93* og *Vanlige spørsmål om kast på side 92* for instruksjoner.
- Bruk aldri et produkt, et batteri eller en batterilader som er defekt.
- Ikke berør et roterende sagkjede. Det kan føre til alvorlige personskader eller død.
- Ikke bruk produktet hvis du er trett eller påvirket av alkohol, legemidler eller noe annet som kan ha en negativ innvirkning på syn, konsentrasjon, koordinasjon eller vurderingsevne.
- Arbeid i dårlig vær er slitsomt og kan medføre ekstra faremomenter. Det anbefales ikke å bruke maskinen i veldig dårlig vær, for eksempel i tett tåke, kraftig regn, sterk vind eller sterk kulde eller ved fare for lyn. Dette gir økt fare.
- Ikke start et produkt med mindre sverdet, sagkjedet og alle deksler er montert riktig. Ellers kan drivhjulet løse og forårsake alvorlige personskader. Se *Montering på side 91* for instruksjoner.(Fig. 22)
- Se deg rundt. Kontroller at det ikke er noen fare for at mennesker eller dyr kommer borti eller påvirker kontrollen du har over produktet.(Fig. 23)
- Ikke la barn bruke eller være i nærheten av produktet. Siden produktet er enkelt å starte, kan barn komme til å starte det hvis de ikke holdes under oppsyn. Det kan medføre risiko for alvorlig personskade.
- Ta ut batteriet når du ikke har fullt utsyn til produktet eller skal forlate produktet, uansett hvor lenge.
- Du må stå støtt for å ha full kontroll over produktet. Ikke bruk produktet hvis du befinner deg på en stige

eller i et tre. Ikke bruk produktet hvis du ikke står på fast underlag.(Fig. 24)

- Hvis du ikke er forsiktig, øker faren for kast. Det kan skje et kast hvis kastrisikozonen til sverdet utilsikket berører en gren, et tre eller en annen gjenstand.(Fig. 25)
- Ikke hold produktet med én hånd. Det er ikke sikkert å bruke dette produktet med én hånd.
- Ikke bruk produktet over skulderhøyde, og ikke forsøk å kappe med sverdspissen. (Fig. 26)
- Ikke bruk produktet i en situasjon der du ikke kan tilkalle hjelp hvis det skulle skje en ulykke.
- Slå av produktet og aktiver kjedebremsen før du flytter produktet. Hold produktet med sverdet og sagkjedet rettet bakover. Sett en transportbeskyttelse på sverdet før transport eller før du flytter produktet, uansett hvor kort.
- Når du setter produktet på bakken, må du aktivere kjedebremsen og sørge for å ha konstant utsyn til produktet. Stopp produktet og fjern batteriet før du forlater produktet, uansett hvor lenge.
- Det er fare for at treffiser setter seg fast i drivsystemet. Det kan føre til at sagkjedet setter seg fast. Stopp alltid produktet og fjern batteriet før rengjøring.
- Forsikre deg om at du kan forflytte deg på en sikker måte. Undersøk forholdene og terrenget rundt deg med hensyn til mulige hindringer, som røtter, steiner, greiner, grøtter osv. Vær forsiktig når du arbeider i skrånninger.
- Vibrasjonsnivået øker hvis du kapper med skjæreutstyr som ikke er skjerpet, eller som er skjerpet feil. Kapping av harde treslag, for eksempel løvtrær, forårsaker mer vibrasjon enn kapping av myke treslag, for eksempel bartrær. (Fig. 27)
- Overeksponering for vibrasjon kan føre til sirkulasjons- eller nerveskader hos personer med nedsatt blodsirkulasjon. Oppsøk lege hvis du opplever fysiske symptomer som kan relateres til overeksponering for vibrasjoner. Eksempel på slike symptomer er dovnang, manglende følelse, «kiling», «stikk», smerte, manglende eller redusert styrke, forandringer i hudens farge eller overflate. Disse symptomene forekommer vanligvis i fingre, hender eller håndledd og øker ved lave temperaturer.
- Unngå situasjoner som du tror du ikke er kvalifisert for.
- Det er ikke mulig å ta med enhver situasjon du kan bli stilt overfor når du bruker dette produktet. Vær alltid forsiktig, og bruk sunn fornuft.(Fig. 28)

Personlig vernetstyr



ADVARSEL: Les de følgende advarslene før du bruker produktet.

(Fig. 29)

- De fleste motorsagulykker skjer når sagkjedet treffer operatøren. Du må bruke godkjent personlig verneutstyr under bruk. Personlig verneutstyr gir deg ikke full beskyttelse mot personskader, men det reduserer graden av personskade hvis det skjer en ulykke. Snakk med serviceforhandleren din for å få anbefalinger om hvilket utstyr du bør bruke.
- Klærne dine må være tettsittende, men ikke begrense bevegelsene dine. Kontroller regelmessig tilstanden til det personlig verneutstyret.
- Bruk godkjent vernehjelm.
- Bruk godkjent hørselsvern. Langvarig eksponering for støy kan gi varig hørselsskade.
- Bruk vernebriller eller ansiktsvisir for å redusere risikoen for personskade som følge av gjenstander som slynges ut. Produktet kan slynge ut gjenstander som sagspon, små trebiter osv. med stor kraft. Dette kan forårsake alvorlig skade, spesielt på øynene.
- Bruk hansker med sagbeskyttelse.
- Bruk bukser med sagbeskyttelse.
- Bruk støvler med sagbeskyttelse, ståltupp og skliskikker såle.
- Ha alltid førstehjelpsutstyr med deg.
- Fare for gnister. Ha brannslukningsutstyr og en spade i nærheten for å kunne hindre skogbrann.

Sikkerhetsutstyr på produktet



ADVARSEL: Les de følgende advarslene før du bruker produktet.

- Ikke bruk produktet dersom sikkerhetsutstyret er defekt.
- Utfør regelmessig kontroll av sikkerhetsutstyret. Se *Vedlikehold av og kontroller av sikkerhetsanordningene på produktet på side 97*.
- Ta kontakt med din Husqvarna-serviceforhandler dersom sikkerhetsutstyret er defekt.

Tastatur

Varsellampen blinker hvis kjedebremsen er koblet inn, eller hvis det er fare for overbelastning. Overlastvernet stopper produktet midlertidig, og du kan ikke bruke produktet før temperaturen er gjenopprettet. Hvis indikatoren lyser kontinuerlig, må du kontakte serviceforhandleren din. (Fig. 30)

Den automatiske stoppfunksjonen

Produktet har en automatisk stoppfunksjon som stopper produktet hvis du ikke bruker det på ett minutt.

Kjedebremse med kastbeskyttelse

Produktet ditt har en kjedebremse som stopper sagkjedet hvis du får et kast. Kjedebremsen reduserer faren for

ulykker, men det er bare du som kan forhindre dem. (Fig. 31)



ADVARSEL: Unngå situasjoner der det er risiko for kast. Vær forsiktig når du bruker produktet, og sørg for at kastrisikozonen til sverdet ikke berører en gjenstand.

(Fig. 32)

Kjedebremsen (A) kobles inn manuelt av deg med venstre hånd eller automatisk av tregthetsfunksjonen. Skyv kastbeskyttelsen (B) forover for å koble inn kjedebremsen manuelt. Denne bevegelsen aktiverer en fjærbelastet mekanisme som stopper drivhjulene. (Fig. 33)

Kjedebremsen aktiveres ut fra kraften på kastet og hvor produktet er plassert. Hvis du får et kraftig kast når kastrisikozonen er lengst unna deg, kobles kjedebremsen inn av tregthetsfunksjonen. Hvis kastet er lite, eller hvis kastrisikozonen er nærmere deg, kobler du inn kjedebremsen manuelt med venstre hånd. (Fig. 34)

Bruk kjedebremsen som en parkeringsbremse når du starter produktet, og når du forflytter deg over korte avstander. Dette reduserer faren for at du eller en person i nærheten kommer i kontakt med sagkjedet. (Fig. 35)

Trekk kastbeskyttelsen bakover for å koble ut kjedebremsen. (Fig. 36)

Et kast kan komme plutselig og intenst. De fleste kast er små og fører ikke alltid til at kjedebremsen kobles inn. Hvis det skjer et kast mens du bruker produktet, må du holde et fast grep i håndtakene og ikke slippe. (Fig. 37)

Kastbeskyttelsen reduserer også risikoen for å berøre sagkjedet hvis du slipper det fremre håndtaket. (Fig. 38)

I fellingstillingen kan du ikke koble inn kjedebremsen manuelt. Kjedebremsen kan i denne stillingen bare kobles inn av tregthetsfunksjonen. (Fig. 39)

Effektregulatorsperre

Kraftutløserperren er konstruert for å hindre at kraftutløseren aktiveres utilsiktet. Hvis du griper håndtaket og trykker på kraftutløserperren (A), frigjøres kraftutløseren (B). Når du slipper håndtaket, går kraftutløseren og kraftutløserperren tilbake til utgangsposisjonene. (Fig. 40)

Kjedefanger

Kjedefangeren fanger sagkjedet hvis det ryker eller løsner. Hvis du har riktig kjedestramming, reduseres risikoen. Du kan også redusere risikoen gjennom riktig vedlikehold av sverdet og sagkjedet. Se *Stramme sagkjedet på side 99* og *Vedlikehold på side 96* for instruksjoner. (Fig. 41)

Høyrehåndsvern

Høyrehåndsvernet fungerer som en beskyttelse for hånden din hvis sagkjedet ryker eller løsner. Det hindrer også forstyrrelse fra greiner og kvister når du bruker produktet. (Fig. 42)

Batterisikkerhet



ADVARSEL: Les de følgende advarslene før du bruker produktet.

- Bruk bare BLi-batterier som vi anbefaler for produktet ditt. Batteriene er programvarekryptert.
- Bruk bare BLi-batterier som er oppladbare, som strømforsyning for relaterte Husqvarna-produkter. For å unngå personskader må du ikke bruke batteriet som strømforsyning for andre enheter.
- Fare for elektrisk støt. Ikke la batteripolene komme i kontakt med nøkler, skruer eller andre metallgjenstander. Dette kan føre til kortslutning av batteriet.
- Ikke bruk batterier som ikke er oppladbare.
- Ikke sett gjenstander inn i luftåpningene til batteriet.
- Hold batteriet unna sollys, varme og åpen ild. Batteriet kan forårsake forbrenninger og/eller kjemiske forbrenninger.
- Hold batteriet unna regn og fuktighet.
- Hold batteriet unna mikrobjølger og høyt trykk.
- Ikke prøv å demontere eller ødelegge batteriet.
- Ikke la batterisyre komme i kontakt med huden. Batterisyre kan føre til skader på huden, korrosjon og forbrenning. Unngå å gni hvis du får batterisyre i øynene. Skyll øynene med vann i minst 15 minutter. Hvis du har fått batterisyre på huden, må du rengjøre huden med store mengder vann og såpe. Få legehjelp.
- Bruk batteriet i temperaturer mellom -10°C (14°F) og 40°C (104°F).
- Ikke rengjør batteriet eller batteriladeren med vann. Se *Slik kontrollerer du batteriet og batterirommet på side 97*.
- Ikke bruk et defekt eller skadet batteri.
- Oppbevar batteriene unna metallgjenstander, for eksempel spikre, skruer og smykker.
- Hold batteriet utilgjengelig for barn.

Sikker bruk av batteriladeren



ADVARSEL: Les de følgende advarslene før du bruker produktet.

- Fare for elektrisk støt eller kortslutning hvis sikkerhetsinstruksjonene ikke følges.
- Bruk en godkjent jordet stikkontakt som ikke er skadet.

- Ikke bruk andre ladere enn den som ble levert med produktet. Bruk bare Husqvarna QC-ladere når du lader Husqvarna BLi-erstatningsbatterier.
- Ikke prøv å demontere batteriladeren.
- Ikke bruk en defekt eller skadet batterilader.
- Ikke løft batteriladeren etter strømledningen. For å koble laderen fra stikkkontakten drar du i støpselet. Ikke dra i ledningen.
- Hold alle kabler og skjøtekabler borte fra vann, olje og skarpe kanter. Pass på at kabelen ikke kommer i klem i dører, gjerder eller lignende.
- Ikke bruk batteriladeren i nærheten av brennbare materialer eller materialer som kan forårsake korrosjon. Kontroller at batteriladeren ikke er tildekket. Trekk ut støpselet til batteriladeren hvis det oppstår røyk eller brann.
- Bare lad batteriet innendørs på et sted med god luftsirkulasjon og beskyttet mot direkte sollys. Ikke lad batteriet utendørs. Ikke lad batteriet i fuktige omgivelser.
- Bare bruk batteriladeren i temperaturer mellom 5°C (41°F) og 40°C (104°F). Bruk laderen i godt ventilerte, tørre og støvfrie omgivelser.
- Ikke sett gjenstander inn i luftåpningene til laderen.
- Bør aldri ladekontaktene med metallgjenstander. Dette kan kortslutte batteriladeren.
- Bruk bare godkjente stikkontakter som ikke er skadet.

Sikkerhetsinstruksjoner for vedlikehold



ADVARSEL: Les de følgende advarslene før du utfører vedlikehold på produktet.

- Fjern batteriet før du utfører vedlikehold, andre kontroller eller monterer produktet.
- Operatøren må bare utføre vedlikehold og service som refereres til i denne bruksanvisningen. Henvend deg til forhandleren for mer omfattende vedlikehold og service.
- Ikke rengjør batteriet eller batteriladeren med vann. Sterke vaskemidler kan skade plasten.
- Hvis du ikke utfører vedlikehold, minsker levetiden til produktet og risikoen for ulykker øker.
- Det kreves spesiell opplæring for alt vedlikehold og reparasjonsarbeid, spesielt for sikkerhetsutstyret på produktet. Hvis ikke alle kontrollene i denne bruksanvisningen er godkjent etter at du har gjort vedlikehold, må du ta kontakt med serviceforhandleren. Vi garanterer at fagmessig reparasjon og service er tilgjengelig for produktet.
- Bruk bare originalreservedeler.

Sikkerhetsinstruksjoner for skjæreutstyret



ADVARSEL: Les de følgende advarselinstruksjonene før du bruker produktet.

- Bruk bare sverd/sagkjede-kombinasjonene og fileutstyret som vi anbefaler. Se *Tilbehør på side 102* for instruksjoner.
- Bruk vernehansker når du bruker eller utfører vedlikehold på sagkjedet. Et sagkjede som ikke beveger seg kan også forårsake skader.
- Hold skjærtennene riktig filt. Følg instruksjonene, og bruk anbefalt filmal. Et sagkjede som er skadet eller feilslipt, øker risikoen for ulykker.(Fig. 43)
- Oppretthold riktig dybdemålerinnstilling. Følg instruksjonene våre, og bruk anbefalt dybdemålinnstilling. For stor dybdemålinnstilling øker risikoen for kast.(Fig. 44)
- Kontroller at sagkjedet har riktig stramming. Hvis sagkjedet ikke ligger stramt mot sverdet, kan det løсне. Feil kjedestrømning fører til økt slitasje på sverdet, sagkjedet og kjededrivhjulet. Se *Stramme sagkjedet på side 99*.(Fig. 45)
- Utfør regelmessig vedlikehold på skjæreutstyret, og hold det riktig smurt. Hvis sagkjedet ikke er riktig smurt, øker risikoen for slitasje på sverdet, sagkjedet og kjededrivhjulet.(Fig. 46)

Montering

Innledning



ADVARSEL: Les og forstå kapittelet om sikkerhet før du monterer produktet.

Montere sverdet og sagkjedet



ADVARSEL: Fjern alltid batteriet før du monterer eller utfører vedlikehold på produktet.

1. Koble ut kjedebremsen. (Fig. 47)
2. Løsne knotten, og fjern drivhjuldekslet (kjedebremsen) og transportbeskyttelsen (A). (Fig. 48)
3. Sett sverdet på sverdbolten. Sett sverdet til den bakerste stillingen. Løft sagkjedet over drivhjulet og sett det i sverdsporet. Begynn på oversiden av sverdet. (Fig. 49)

4. Sørg for at kantene på tannlenkene vender forover på toppkanten av sverdet.
5. Monter drivhjuldekslet, og styr kjedestrømmertappen til hullet i sverdet.
6. Kontroller at drivlenkene til sagkjedet sitter riktig på drivhjulet.
7. Kontroller også at sagkjedet har riktig inngrep i sporet i sverdet.
8. Stram sagkjedet. Se *Stramme sagkjedet på side 99* for instruksjoner.

Slik monteres en barkstøtte

Ta kontakt med serviceforhandleren din angående montering av en barkstøtte.

Drift

Innledning



ADVARSEL: Les og forstå kapittelet om sikkerhet før du bruker produktet.

Slik utfører du en funksjonskontroll før du bruker produktet

1. Utfør en kontroll av kjedebremsen (A) for å forsikre deg om at den fungerer som den skal og at den ikke er skadet.
2. Utfør en kontroll av bakre høyrehåndsvern (B) for å forsikre deg om at det ikke er skadet.
3. Utfør en kontroll av kraftutløseren og kraftutløserperren (C) for å forsikre deg om at de fungerer som den skal og at de ikke er skadet.
4. Utfør en kontroll av tastaturet (D) for å forsikre deg om at det fungerer som det skal.
5. Forsikre deg om at det ikke er olje på håndtakene (E).
6. Utfør en kontroll for å forsikre deg om at alle delene er på plass, festet riktig og ikke skadet.
7. Utfør en kontroll av kjedefangeren (F) for å forsikre deg om at den er festet riktig.
8. Utfør en kontroll av kjedestrømningen (G).
9. Lad batteriet (H), og kontroller at det er riktig festet til produktet.

10. Kontroller at sagkjedet stopper når du slipper kraftutløseren. (Fig. 50)

Sagkjedeolje

Alle Husqvarna-motorsager har et system for automatisk smøring av sagkjedet. En del av modellene kan også fås med justerbar oljetilførsel.

Tenk på følgende når du velger en kjedeolje:

(Fig. 51)

- Oljetanken varer ca. tre batteriladinger. Dette gjelder bare hvis du bruker riktig kjedeolje. Hvis kjedeoljen er for tynn, vil den ikke vare så lenge.
- Kjedeoljen må feste seg godt til sagkjedet og opprettholde strømningsegenskapene både i varmt og kaldt vær.
- Bruk en olje av riktig kvalitet (egnet viskositetsområde) i henhold til lufttemperaturen. Ved temperaturer under 0° C (32 °F) blir noen oljer for tykke. Det kan medføre overbelastning av oljepumpen, med skader på komponentene til oljepumpen som resultat.
- Bruk det anbefalte skjæreutstyret. Et sverd som er for langt, vil bruke mer kjedeolje.
- Kontakt serviceforhandleren din når du skal velge kjedeolje.



ADVARSEL: Ikke bruk spillolje!

Spillolje er farlig for deg og miljøet. Spillolje fører også til skade på oljepumpen, sverdet og sagkjedet.



ADVARSEL: Hvis smøringen av skjæreutstyret er utilstrekkelig, kan sagkjedet ryke. Det kan føre til alvorlig personskade eller død for operatøren.



OBS: Hvis du bruker vegetabilsk basert kjedeolje, må du rengjøre sverdsporet og sagkjedet før langtidslagring. Hvis ikke er det fare for at sagkjedeoljen oksiderer, noe som medfører at sagkjedet blir stivt, og at sverdet nesehjul blir tilstoppet.

Vanlige spørsmål om kast

- **Vil hånden min alltid aktivere kjedebremsen under et kast?**

Nei. Du må bruke litt kraft til å skyve kastbeskyttelsen forover. Hvis du ikke bruker den nødvendige kraften, blir ikke kjedebremsen koblet inn. Du må også holde håndtakene på produktet støtt med begge hender mens du arbeider. Hvis et kast oppstår, vil kjedebremsen kanskje ikke stoppe sagkjedet før det treffer deg. Det er også noen stillinger der hånden din ikke kan berøre kastbeskyttelsen for å koble inn kjedebremsen.

- **Vil tregheitsfunksjonen alltid aktivere kjedebremsen under et kast?**

Nei. For det første må kjedebremsen fungere som den skal. Se *Vedlikehold på side 96* for instruksjoner om hvordan du utfører en kontroll av kjedebremsen. Vi anbefaler at du alltid gjør dette før du begynner å bruke produktet. For det andre må kraften i kastet være kraftig nok til å aktivere kjedebremsen. Hvis kjedebremsen er for følsom, kan den gripe inn ved hard drift.

- **Vil kjedebremsen alltid beskytte meg mot skader under et kast?**

Nei. kjedebremsen må fungere på riktig måte for å gi beskyttelse. Kjedebremsen må også kobles inn under et kast for å stoppe sagkjedet. Hvis du er nær sverdet, vil kjedebremsen kanskje ikke rekke å stoppe sagkjedet før det treffer deg.



ADVARSEL: Bare du og riktig arbeidsteknikk kan hindre kast.

Slik kobler du til batteriladeren

1. Koble batteriladeren til den spenningen og frekvensen som er angitt på typeskiltet.
2. Sett støpselet i en jordet stikkontakt.

Merk: Batteriet lades ikke hvis batteritemperaturen er på over 50 °C / 122 °F. Hvis temperaturen er på over 50 °C / 122 °F, vil batteriladeren kjøle ned batteriet.

Slik lader du batteriet

Merk: Hvis det er første gang du bruker batteriet, må du lade det. Et nytt batteri er bare 30 % ladet.

1. Koble batteriet til batteriladeren. (Fig. 52)
2. Kontroller at den grønne ladelampen på laderen tennes. Det betyr at batteriet er riktig koblet til laderen. (Fig. 53)
3. Når alle LED-indikatorene på batteriet lyser, er batteriet fulladet. (Fig. 54)
4. For å koble laderen fra stikkontakten drar du i støpselet. Ikke dra i ledningen.
5. Koble batteriet fra batteriladeren.

Merk: Se bruksanvisningene for batteriet og batteriladeren for mer informasjon.

Slik starter du produktet

1. Utfør en kontroll av kraftutløseren og kraftutløserensperren. Se *Slik kontrollerer du kraftutløserensperren på side 97*.
2. Skyv kastbeskyttelsen forover for å koble inn kjedebremsen. (Fig. 38)

3. Sett batteriet i batteriholderen. (Fig. 55)
4. Trykk på den nedre delen av batteriet til du hører en klikkelyd.



OBS: Hvis batteriet ikke går lett inn i batteriholderen, er det ikke festet riktig i batteriholderen.

(Fig. 56)

5. Hold start/stopp-knappen inne til den grønne LED-lampen tennes. (Fig. 57)

Slik bruker du Save-funksjonen

Dette produktet har en strømsparingsfunksjon, Save. Save-funksjonen reduserer kjedehastigheten og gir den lengste driftstiden fra batteriet.

Merk: Save-funksjonen reduserer ikke skjærekraften til produktet.

1. Trykk på Save-knappen på tastaturet.
2. Kontroller at den grønne LED-lampen tennes.
3. Trykk på Save-knappen på nytt for å koble ut funksjonen. Den grønne LED-lampen slukkes. (Fig. 58)

Slik stopper du produktet

1. Hold start/stopp-knappen på tastaturet inne til den grønne LED-lampen slukkes. (Fig. 57)
2. Trekk batteriet ut, og trykk på batteriutløserknappene for å fjerne batteriet fra batteriholderen. (Fig. 59)



ADVARSEL: Fjern batteriet når du ikke bruker produktet eller har fullt utsyn til det. Dette er for å hindre utilsiktet start.

Kastinformasjon



ADVARSEL: Et kast kan føre til alvorlig personskade eller død for brukeren eller andre. For å redusere faren må du vite hva som forårsaket kastet, og hvordan du kan unngå det.

Et kast skjer bare når sverdets kastrisikosone berører en gjenstand. Et kast kan skje plutselig og med stor kraft som kaster produktet mot operatøren. (Fig. 60)

Kast skjer alltid i skjæreplanet til sverdet. Vanligvis slynges produktet mot operatøren, men kan det også beveges i en annen retning. Det er hvordan du bruker produktet idet det skjer et kast, som bestemmer bevegelsesretningen. (Fig. 61)

Kast skjer bare hvis sverdets kastrisikosone berører en gjenstand. Ikke la kastrisikosonen berøre en gjenstand. (Fig. 60)

En mindre sverdspissradius reduserer kraften til kastet. Bruk et sagkjede med lite kast for å redusere kraften i et kast. Ikke la kastrisikosonen berøre en gjenstand.



ADVARSEL: Ingen sagkjeder hindrer kast helt. Følg alltid instruksjonene.

Slik brukes kappeteknikken



ADVARSEL: Bruk full gass når du kapper, og reduser turtalet til tomgang etter hvert kutt.



OBS: Ikke la motoren gå for lenge uten belastning. Dette kan skade motoren.

1. Legg stammen på en sagkrakk. (Fig. 62)



ADVARSEL: Ikke kapp stammer i en stabil. Dette øker risikoen for kast og kan føre til alvorlig personskade eller dødsfall.

2. Fjern de avkappede trebitene fra arbeidsområdet.



ADVARSEL: Avkappede trebiter i kappeområdet øker risikoen for kast og at du mister balansen.

Slik kapper du en stamme på bakken

1. Kapp gjennom stammen i trekkebevegelsen. Hold full effekt, men vær forberedt på plutselige ulykker. (Fig. 63)



ADVARSEL: Pass på at sagkjedet ikke berører bakken når du fullfører sagsnittet.

2. Kapp omtrent $\frac{3}{4}$ gjennom stammen, og stopp. Roter stammen, og kapp fra motsatt side. (Fig. 64)

Kappe en stamme med støtte i den ene enden



ADVARSEL: Pass på at stammen ikke splittes under kappingen. Følg instruksjonene nedenfor.

(Fig. 65)

1. Kapp ca. $\frac{1}{3}$ gjennom stammen i skyvebevegelsen.
2. Kapp ferdig gjennom stammen i trekkebevegelsen. (Fig. 66)

Kappe en stamme med støtte i begge ender



ADVARSEL: Pass på at sagkjedet ikke blir sittende fast i stammen under kappingen. Følg instruksjonene nedenfor.

(Fig. 67)

1. Kapp ca. $\frac{1}{3}$ gjennom stammen i trekkebevegelsen.
2. Kapp gjennom resten av stammen i skyvebevegelsen for å fullføre kappingen. (Fig. 68)



ADVARSEL: Stopp motoren hvis sagkjedet setter seg fast i stammen. Bruk en hevarm til å åpne sagsnittet og frigjøre produktet. Ikke prøv å rykke løs produktet for hånd. Dette kan føre til personskade når produktet plutselig løsner.

Slik bruker du kvistingsteknikken

Merk: For tykke grener må du bruke kappeteknikken. Se *Slik brukes kappeteknikken på side 93*.



ADVARSEL: Ulykkesrisikoen er svært stor når du bruker kvistingsteknikken. Se *Kastinformasjon på side 93* for instruksjoner om hvordan du unngår kast.



ADVARSEL: Kapp kvistene én etter én. Vær forsiktig når du fjerner små kvister, og ikke kapp buskas eller mange små kvister samtidig. Små kvister kan sette seg fast i sagkjedet og hindre sikker bruk av produktet.

Merk: Kapp kvister bit for bit om nødvendig. (Fig. 69)

1. Fjern kvistene på høyre side av stammen.
 - a) Hold sverdet på høyre side av stammen, og holde hoveddelen av produktet mot stammen.
 - b) Velg riktig kappeteknikk for spenningen til grenen. (Fig. 70)



ADVARSEL: Hvis du ikke er sikker på om hvordan du skal kappe grenen, bør du snakke med en profesjonell motorsagbruker før du fortsetter.

2. Fjern kvister på toppen av stammen.
 - a) Hold produktet på stammen, og la sverdet bevege seg langs stammen.
 - b) Kapp i skyvebevegelsen. (Fig. 71)
3. Fjern kvistene på venstre side av stammen.

- a) Velg riktig kappeteknikk for spenningen til grenen. (Fig. 72)



ADVARSEL: Hvis du ikke er sikker på om hvordan du skal kappe grenen, bør du snakke med en profesjonell motorsagbruker før du fortsetter.

Se *Slik kapper du trær og greiner som står i spenn på side 95* for instruksjoner om hvordan du kapper grener som står i spenn.

Slik bruker du trefellingsteknikken



ADVARSEL: Du trenger erfaring for å felle et tre. Om mulig bør du delta i et opplæringskurs for bruk av motorsag. Snakk med en erfaren bruker for å få mer kunnskap.

Slik holder du sikker avstand

1. Kontroller at personer rundt deg holder en sikkerhetsavstand på minst 2 $\frac{1}{2}$ ganger treets lengde. (Fig. 73)
2. Forsikre deg om at ingen befinner seg i risikoområdet før eller under fellingen. (Fig. 74)

Slik beregner du fallretningen

1. Undersøk i hvilken retning det er nødvendig at treet skal falle. Målet er å felle det til en posisjon der du enkelt kan kviste og kappe opp stammen. Det er også viktig at du står støtt og kan forflytte deg på en sikker måte.



ADVARSEL: Hvis det er farlig eller ikke er mulig å felle treet i sin naturlige fallretning, må treet felles i en annen retning.

2. Undersøk den naturlige fallretningen til treet. Undersøk for eksempel vinkelen og bøyen til treet, vindretningen, plasseringen til greinene og vekten av snø.
3. Undersøk om det finnes hindringer i nærheten, for eksempel andre trær, kraftledninger, veier og/eller bygninger.
4. Se etter tegn på skader og råte i stammen.



ADVARSEL: Råte i stammen kan medføre risiko for at treet faller før du har fullført kappingen.

5. Kontroller at treet ikke har skadde eller døde greiner som kan brette og treffe deg under fellingen.
6. Ikke la treet falle på et annet, stående tre. Det er farlig å fjerne et tre som har satt seg fast. Se *Frigjør et fastsatt tre på side 95*. (Fig. 75)



ADVARSEL: I kritiske fellingsoperasjoner må du ta av deg hørselsvernet umiddelbart etter at sagingen er fullført. Det er viktig at du hører lyder og varselsignaler.

Slik rydder du stammen og forbereder tilbaketrekkingsruten din

Kapp av alle grener fra skulderhøyde og nedover.

1. Kapp i trekkebevegelsen fra toppen og nedover. Kontroller at treet er mellom deg og produktet. (Fig. 76)
2. Fjern underskog fra arbeidsområdet rundt treet. Fjern alt avkappet materiale fra arbeidsområdet.
3. Utfør en kontroll av området med hensyn til hindringer som steiner, greiner og hull. Du må ha en tydelig tilbaketrekkingsrute når treet begynner å falle. Tilbaketrekkingsruten må ha en vinkel på ca. 135 grader i forhold til fallretningen.

1. Faresonen
2. Tilbaketrekkingsruten
3. Fallretningen

(Fig. 77)

Felle et tre

Husqvarna anbefaler at du lager styreskår og deretter bruker sikkerhetshjørnemetoden når du feller et tre. Sikkerhetshjørnemetoden gjør det enklere å lage en korrekt brytekant og kontrollere fallretningen.



ADVARSEL: Ikke fell trær med en diameter som er mer enn to ganger større enn sverdlengden. For å gjøre dette må du ha spesiell opplæring.

Slik lager du styreskårene

1. Lag styreskårene. Styreskårene skal være 1/4 av diameteren til treet. Lag en vinkel på 45° mellom overskjæret og underskjæret.
 - a) Lag overskjæret først. Rett inn fallretningsmerket (A) på produktet etter fallretningen til treet (B). Stå bak produktet, og hold treet på din høyre side. Sag med en trekkebevegelse.
 - b) Lag underskjæret. Sørg for at enden av underskjæret er i samme punkt som enden av overskjæret. (Fig. 78)
2. Sørg for at styreskårlinjen er helt horisontal og i rett vinkel (90°) mot fallretningen. Styreskårlinjen går gjennom punktet der to styreskårene møtes. (Fig. 79)

Slik lager du hovedskåret

Merk: Hovedskåret lages på motsatt side av treet av styreskårene.

1. Lag hovedskåret ca. 3–5 cm / 1,5–2 tommer over bunnstyreskåret. Kuttet må være helt horisontalt. (Fig. 80)
2. Hvis du har en barkstøtte, setter du den bak brytekanten.
3. Kutt med trekkebevegelsen. Bruk full effekt, og arbeid sagkjedet/sverdet sakte inn i treet. Sørg for at treet ikke faller i en uønsket retning.
4. Sett en kile eller et brytejern i kuttet når kuttet har nøyaktig riktig bredde. (Fig. 81)
5. Fullfør hovedskåret parallelt med styreskårlinjen. Sørg for at avstanden mellom dem er minst 1/10 av stammens diameter. Den delen av stammen som ikke kappes, er brytekanten. Brytekanten styrer fallretningen. (Fig. 82)



ADVARSEL: Du har ingen kontroll over fallretningen hvis brytekanten er borte eller for tynn. Det samme er tilfellet hvis du ikke har laget styreskårene og hovedskåret riktig.

(Fig. 83)

6. På dette tidspunktet vil treet falle av sin egen kraft eller ved hjelp av en kile eller et brytejern. (Fig. 84)

Merk: Bruk en sverdlengde som er større enn diameteren til treet. Det hjelper deg til å lage hovedskåret og styreskårene med én kuttebevegelse hver. Se *Tilbehør på side 102* for å finne ut hvilke sverdlengder vi anbefaler for produktet ditt.

(Fig. 85)

Frigjøre et festsatt tre



ADVARSEL: Det er svært farlig å fjerne et tre som sitter fast, og det innebærer en høy ulykkesrisiko. Hold deg utenfor risikoområdet, og ikke prøv å felle et tre som har satt seg fast.

(Fig. 86)

Den sikreste fremgangsmåten er å bruke én av følgende vinsjer:

- Traktormontert (Fig. 87)
- Bærbar (Fig. 88)

Slik kapper du trær og greiner som står i spenn

1. Finn ut hvilken side av treet eller greinen som står i spenn.

2. Finn ut hvor det maksimale spenningspunktet er. (Fig. 89)
3. Finn ut hva som er den sikreste fremgangsmåten for å fjerne spenningen.

Merk: I noen situasjoner er den eneste sikre fremgangsmåten å bruke en vinsj, ikke produktet.

4. Hold en posisjon der treet eller greinen ikke kan treffe deg når spenningen blir fjernet. (Fig. 90)
5. Lag ett eller flere kutt av den nødvendige dybden for å fjerne spenningen. Kutt i eller nær det maksimale spenningspunktet. Sørg for at treet eller greinen brykker i det maksimale spenningspunktet. (Fig. 91)



ADVARSEL: Sag aldri rett gjennom et tre eller en grein som står i spenn.



ADVARSEL: Vær svært forsiktig når du kapper et tre som står i spenn. Det er fare for at treet beveger seg raskt før eller etter kappingen. Det kan skje alvorlige personskader hvis du er i feil posisjon, eller hvis du kapper feil.

6. Hvis du må sage gjennom treet/greinen, lager du 2 til 3 kutt, 1 tomme fra hverandre og med en dybde på 2 tommer. (Fig. 92)
7. Fortsett å sage dypere inn i treet, til treet/greinen bøyer seg, og spenningen blir frigjort. (Fig. 93)
8. Kapp treet/greinen fra motsatt side av bøyen etter at spenningen er fjernet.

Vedlikehold

Innledning



ADVARSEL: Les og forstå kapitlet om sikkerhet før du utfører vedlikehold på produktet.

Under følger en liste over vedlikeholdstrinnene som må utføres på produktet. Se *Vedlikehold på side 96* for mer informasjon.

Vedlikeholdsskjema



ADVARSEL: Fjern batteriet før du utfører vedlikehold.

Vedlikehold	Før bruk	Ukentlig	Månedlig
Rengjør de utvendige delene av produktet.	X		
Kontroller at kraftutløseren og kraftutløserperren fungerer riktig med hensyn til sikkerhet.	X		
Rengjør kjedebremsen, og kontroller at den fungerer på en sikker måte. Kontroller om kjedefangeren er skadet. Bytt den ved behov.	X		
Snu sverdet daglig for jevnere slitasje. Kontroller at smørehullet i sverdet ikke er tett. Rengjør kjedesporet.	X		
Kontroller om kapperen eller kapperbeskyttelsen har sprekker eller er skadet. Bytt kapperen eller kapperbeskyttelsen hvis den har sprekker eller har blitt utsatt for støt.	X		
Kontroller at sverdet og sagkjedet har tilstrekkelig olje.	X		
Kontroller sagkjedet. Se etter sprekker, og kontroller at sagkjedet ikke er stivt eller uvanlig slitt. Skift om nødvendig.	X		
File sagkjedet. Kontroller strammingen og tilstanden. Kontroller drivhullet for slitasje, og bytt det ved behov.	X		
Rengjør luftinntaket på produktet.	X		

Vedlikehold	Før bruk	Ukentlig	Månedlig
Kontroller at skruer og mutre sitter stramt.	X		
Kontroller at tastaturet fungerer som det skal, og at det ikke er skadet.	X		
Bruk en fil til å fjerne grader på sverdkantene.		X	
Kontroller tilkoblingene mellom batteriet og produktet. Kontroller tilkoblingen mellom batteriet og batteriladeren.			X
Tøm og rengjør oljetanken.			X
Blås forsiktig gjennom produktet og batterikjøleåpningene med trykkluft.			X

Vedlikehold av og kontroller av sikkerhetsanordningene på produktet

Slik kontrollerer du kastbeskyttelsen

Kontroller regelmessig kastbeskyttelsen og tregheitsfunksjonen.

1. Kontroller at kastbeskyttelsen ikke er skadet og at det ikke finner noen defekter, f.eks. sprekker. (Fig. 94)
2. Kontroller at kastbeskyttelsen kan bevege seg fritt og at den er festet sikkert til produktet. (Fig. 95)
3. Sett produktet, med motoren slått av, på en stubbe eller en annen stabil flate.
4. Hold i det bakre håndtaket, og slipp det fremre håndtaket. La produktet falle mot stubben. (Fig. 96)
5. Kontroller at kjedebremesen kobles inn idet sverdet treffer stubben.

Slik kontrollerer du bremseutløseren

1. Sett produktet på bakken på et stabilt sted, og start det. Se *Innledning på side 91*.



ADVARSEL: Sørg for at sagbladet ikke berører bakken eller andre gjenstander.

2. Grip håndtakene med alle fingrene, og hold produktet i et fast grep. (Fig. 37)
3. Gi full gass og vipp venstre håndledd forover til kastbeskyttelsen, for å koble inn kjedebremesen. Sagkjedet skal stoppe umiddelbart. (Fig. 97)



ADVARSEL: Ikke slipp det fremre håndtaket!

Slik kontrollerer du kraftutløseren

1. Kontroller at kraftutløseren og kraftutløseren kan bevege seg fritt, og at returfjærene fungerer som de skal. (Fig. 98)

2. Trykk på kraftutløseren, og kontroller at den går tilbake til utgangsstillingen når du slipper den. (Fig. 99)
3. Kontroller at kraftutløseren låses i tomgangsstillingen når kraftutløseren slippes. (Fig. 100)
4. Start produktet, og gi full gass.
5. Slipp kraftutløseren, og forsikre deg om at sagkjedet stopper og forblir i ro. Hvis kjedet roterer når kraftutløseren er i tomgangsstillingen, må du kontakte serviceforhandleren din.

Kontrollere kjedefangeren

1. Forsikre deg om at det ikke er noen skader på kjedefangeren.
2. Kontroller at kjedefangeren er stabil og festet til produktkroppen. (Fig. 41)

Slik kontrollerer du tastaturet

1. Start produktet. Se *Drift på side 91*
2. Trykk på start/stopp-knappen på nytt.
3. Forsikre deg om at produktet stopper når du holder knappen inne. Den grønne LED-lampen slukkes. (Fig. 57)

Slik kontrollerer du batteriet og batterirommet

1. Rengjør batteriet og batterirommet med en myk børste. (Fig. 101)
2. Sørg for at kjøleåpningene og batterikontaktene er rene.
3. Kontroller at batteriet ikke er skadet, og at det ikke er noen andre defekter, for eksempel sprekker. (Fig. 102)

Slik kontrollerer du batteriladeren

1. Forsikre deg om at batteriladeren og strømledningen ikke er skadet. Se etter sprekker og andre defekter.

Slik rengjør du kjølesystemet

Produktet har et kjølesystem som holder temperaturen til produktet så lav som mulig.

Kjølesystemet omfatter et luftinntak på venstre side av produktet og en vifte på motoren.

1. Rengjør kjølesystemet med en børste ukentlig, eller oftere ved behov. (Fig. 103)
2. Kontroller at kjølesystemet ikke er skittent eller tilstoppet.



OBS: Et skittent eller tilstoppet kjølesystem kan føre til at produktet blir for varmt. Det vil føre til skade på stempelet og sylinderen.

- støtvinkel(Fig. 113)
- filstilling(Fig. 114)
- rundfil diameter(Fig. 115)

Det er ikke enkelt å skjerpe et sagkjede riktig uten det riktige utstyret. Bruk Husqvarna-filmalen. Den hjelper deg med å opprettholde maksimum skjærekapasitet og risikoen for kast på et minimum.



ADVARSEL: Kraften til kastet øker kraftig hvis du ikke følger de følgende instruksjonene om filing.

Slipe kjedet

Informasjon om sverdet og sagkjedet



ADVARSEL: Bruk vernehansker når du bruker eller utfører vedlikehold på sagkjedet. Et sagkjede som ikke beveger seg kan også forårsake skader.

Bytt ut slitte eller skadde sverd og sagkjeder med sverd/sagkjede-kombinasjonene som anbefales av Husqvarna. Dette er nødvendig for å bevare sikkerhetsfunksjonene til produktet. Se *Tilbehør på side 102* for å finne en liste over sverd og kjede-kombinasjoner som vi anbefaler.

- Sverdlengde, tommer/cm. Informasjon om sverdlengden finner man vanligvis på den bakre enden av sverdet.(Fig. 104)
- Antall tenner i nesehjulet (T).(Fig. 105)
- Kjededeling, tommer. Avstanden mellom drivlenkene til sagkjedet må stemme med avstanden til tennene på sverdet's nesehjul og drivhjulet.(Fig. 106)
- Antall drivlenker (stk). Antallet drivlenker avgjøres av sverdtypen.(Fig. 107)
- Sverdsporbredde, tommer/mm. Sporbredden på sverdet må være den samme som bredden på kjededrivlenken.(Fig. 108)
- Sagkjedehull og hull for kjedestrammertapp. Sverdet må være rettet inn etter produktet.(Fig. 109)
- Drivlenkebredde, mm/tommer(Fig. 110)

Generell informasjon om filing av kapperne

Ikke bruk et sløvt sagkjede. Hvis sagkjedet er sløvt, må du bruke mer kraft på å skyve sverdet gjennom treet. Hvis sagkjedet er svært sløvt, vil det ikke bli noen trefliser, men sagflis/sagmugg.

Et skarpt sagkjede eter seg gjennom treet, og treflisene blir lange og tykke.

Skjærtannen (A) og dybdemåleren (B) utgjør til sammen den kappende delen av sagkjedet, kapperen. Høydeforskjellen mellom de to gir skjæredybden (dybdemålerinnstillingen).(Fig. 111)

Tenk på følgende når du filer en kapper:

- filingsvinkel(Fig. 112)

Merk: Se *Slipe kapperne på side 98* for å finne informasjon om filing av sagkjedet.

Slipe kapperne

1. Bruk en rundfil og en filmal til å file skjæretennene. (Fig. 116)

Merk: Se *Tilbehør på side 102* for informasjon om hvilken fil og filmal Husqvarna anbefaler for sagkjedet ditt.

2. Påfør filmalen på kapperen på riktig måte. Se instruksjonene som fulgte med filmalen.
3. Flytt filen fra innsiden av skjærtennene og utover. Reduser trykket i trekkebevegelsen. (Fig. 117)
4. Fjern materiale fra den ene siden av alle skjærtennene.
5. Snu produktet, og fjern materiale på den andre siden.
6. Kontroller at alle skjærtennene har samme lengde.

Generell informasjon om justering av dybdemålerinnstillingen

Dybdemålerinnstillingen (C) reduseres når du skjerper skjærtannen (A). For å opprettholde maksimal skjærekapasitet må du fjerne filemateriale fra dybdemåleren (B) for å få den anbefalte dybdemålerinnstillingen. Se *Tilbehør på side 102* for instruksjoner om å få den riktige dybdemålerinnstillingen for sagkjedet ditt.

(Fig. 118)



ADVARSEL: For høy dybdemålerinnstilling øker risikoen for kast.

Justere dybdemålerinnstillingen

Se instruksjonene i *Slipe kapperne på side 98* for du justerer dybdemålerinnstillingen eller filer kapperen. Vi

anbefaler at du justerer dybdemålerinnstillingen for hver tredje gang du skjerper skjærtennene.

Vi anbefaler at du bruker dybdemålerverktøyet vårt til å få riktig dybdemålerinnstilling og vinkel for dybdemåleren.

(Fig. 119)

1. Bruk en flat fil og et dybdemålerverktøy til å justere dybdemålerinnstillingen. Bruk bare Husqvarna-dybdemålerverktøyet til å få riktig dybdemålerinnstilling og vinkel for dybdemåleren.
2. Plasser dybdemålerverktøyet på sagkjedet.

Merk: Se emballasjen til dybdemålerverktøyet for mer informasjon om hvordan du bruker verktøyet.

3. Bruk den flate filen til å fjerne den delen av dybdemåleren som stikker ut av dybdemålerverktøyet. (Fig. 120)

Stramme sagkjedet



ADVARSEL: Et sagkjede uten riktig stramming kan løse fra sverdet og forårsake alvorlig personskade eller død.

Jo mer du bruker et sagkjede, jo lengre blir det. Det er viktig å justere sagkjedet regelmessig.

Utfør en kontroll av sagkjedestrømmingen hver gang du fyller på kjedeolje.

Merk: Et nytt sagkjede har en innkjøringsperiode der du må kontrollere sagkjedestrømmingen oftere.

1. Fold knotten ut til den åpnes. (Fig. 121)
2. Drei knotten mot klokken for å løsne drivhjuldekslet. (Fig. 122)
3. Drei kjedestrammerhjulet for å justere strømmingen av sagkjedet. Sagkjedet må ligge stramt mot sverdet. (Fig. 123)

Merk: Drei hjulet ned (+) for mer stramming eller opp (-) for mindre stramming. Sagkjedet er strammet riktig når du enkelt kan dreie det for hånd mens det ligger stramt mot sverdet.

4. Drei knotten med klokken for å stramme sverdknotten. (Fig. 124)
5. Fold knotten ned for å låse strømmingen. (Fig. 125)

Kontrollere sagkjedesmøringen

Kontroller sagkjedesmøringen for hvert tredje batteribyte.

1. Start produktet, og la det gå med 3/4 effekt. Hold sverdet ca. 20 cm (8 tommer) over en lyst farget flate.

2. Hvis sagkjedesmøringen er riktig, vil du se en tydelig oljestripe på flaten etter 1 minutt. (Fig. 126)
3. Hvis sagkjedesmøringen ikke er riktig, foretar du følgende kontroller.
 - a) Kontroller om oljekanalene i sverdet er tilstoppet. Rengjør ved behov. (Fig. 127)
 - b) Kontroller om sporet i sverdkanten er rent. Rengjør ved behov. (Fig. 128)
 - c) Kontroller at sverdets nesehjul kan bevege seg fritt og at smørehullet i sverdets nesehjul ikke er tilstoppet. Rengjør og smør ved behov. (Fig. 129)
4. Hvis sagkjedesmøringen ikke fungerer etter at du har fulgt trinnene ovenfor, må du kontakte serviceforhandleren din.

Slik utfører du vedlikehold på kjededrivhjulet

Drivsystemet har et drivhjul.

(Fig. 130)

Utfør følgende vedlikehold på kjededrivhjulet:

1. Kontroller regelmessig slitasjegraden på drivhjulet. Bytt kjededrivhjulet hvis det er for mye slitasje.
2. Bytt kjededrivhjulet når du bytter sagkjedet.

Slik kontrollerer du skjæretutstyret

1. Forsikre deg om at det ikke er sprekker i nagler eller lenker og at ingen nagler er løse. Skift ut om nødvendig. (Fig. 131)
2. Kontroller at sagkjedet er lett å bøye. Skift ut saghodet hvis det er stivt.
3. Sammenlign sagkjedet med et nytt sagkjede for å undersøke om nagler eller lenker er slitt.
4. Bytt sagkjedet når den lengste delen av skjæretannen er kortere enn 4 mm. Skift også sagkjedet hvis det er sprekker på kappene. (Fig. 132)

Slik kontrollerer du sverdet

1. Påse at oljekanalene ikke er blokkert. Rengjør om nødvendig. (Fig. 127)
2. Kontroller om det er grader på sverdkantene. Fjern alle grader ved hjelp av en fil. (Fig. 133)
3. Rengjør sporet i sverdet. (Fig. 128)
4. Undersøk sporet i sverdet for slitasje. Bytt sverdet ved behov. (Fig. 134)
5. Undersøk om sverdspissen er ru eller svært slitt. (Fig. 135)
6. Kontroller at sverdets nesehjul kan bevege seg fritt, og at smørehullet i nesehjulet ikke er tilstoppet. Rengjør og smør ved behov. (Fig. 129)
7. Snu sverdet daglig for å forlenge levetiden. (Fig. 136)

Feilsøking

Feilsøkingsplan

Tabell

Mulige feilkoder på tastaturet til produktet.

LED-display	Mulige feil	Mulig handling
Varsellampen blinker.	Kjedebremis innkoblet.	Trekk kastbeskyttelsen tilbake for å løse ut kjedebremisen.
	Temperaturavvik.	La produktet kjøle seg ned.
	Overbelastning. Skjæreutstyret har satt seg fast.	Skjæreutstyret har satt seg fast. Løsne skjæreutstyret.
	Kraftutløseren og aktiveringsknappen trykkes samtidig.	Slipp kraftutløseren, så er produktet aktivt.
Grønn aktivert-diode blinker.	Lav batterispenning.	Lad batteriet.
Varsellampen lyser.	Service.	Ta kontakt med serviceforhandleren din.

Tabell

Feilsøking på batteri og/eller batterilader under lading.

LED-display	Mulige feil	Mulig handling
Varsellampen blinker.	Batteriet er utladet.	Lad batteriet.
	Temperaturavvik.	Bruk batteriladeren i omgivelser der temperaturene er mellom $-10\text{ }^{\circ}\text{C}$ / $14\text{ }^{\circ}\text{F}$ og $40\text{ }^{\circ}\text{C}$ / $104\text{ }^{\circ}\text{F}$.
	Overspenning.	Kontroller at strømtilførselen samsvarer med det som er angitt på platen med de nominelle verdiene, på produktet. Fjern batteriet fra batteriladeren.
Varsellampen lyser.	For stor forskjell mellom cellene (1 V).	Ta kontakt med serviceforhandleren din.

Tabell

LED-display	Mulige feil	Mulig handling
Varsellampen blinker.	Temperaturavvik.	Bruk batteriladeren i omgivelser der temperaturene er mellom 5 °C / 41 °F og 40 °C / 104 °F.
Varsellampen lyser.		Ta kontakt med serviceforhandleren din.

Transport, oppbevaring og avhending

Transport og oppbevaring

- De medfølgende litiumionbatteriene samsvarer med kravene i loven om farlige varer.
- Følg de spesifikke kravene på emballasje og etiketter for kommersiell transport, inkludert av tredjeparter og fraktleverandører.
- Snakk med en person med spesiell opplæring i farlige materialer før du sender produktet. Følg alle gjeldende nasjonale forskrifter.
- Bruk tape på åpne kontakter når du plasserer batteriet i en pakke. Pakk batteriet stramt for å hindre bevegelse.
- Fjern batteriet ved lagring og transport.
- Oppbevar batteriet og batteriladeren på et sted som er tørt og fri for fukt og frost.
- Batteriet må ikke oppbevares på steder der det kan forekomme statisk elektrisitet. Ikke oppbevar batteriet i en metallkasse.
- Oppbevar batteriet i temperaturer mellom 5 °C (41 °F) og 25 °C (77 °F) og unna direkte sollys.
- Oppbevar batteriladeren i temperaturer mellom 5 °C (41 °F) og 45 °C (113 °F) og unna direkte sollys.
- Bruk batteriladeren bare i temperaturer mellom 5 °C (41 °F) og 40 °C (104 °F).
- Lad opp batteriet til 30–50 % før du setter det til oppbevaring i lange perioder.
- Oppbevar batteriladeren på et sted som er lukket og tørt.

- Hold batteriet og batteriladeren separert under oppbevaring. Ikke la barn eller andre uautoriserte personer røre utstyret. Oppbevar utstyret i et område som kan låses.
- Rengjør produktet og utfør en fullstendig service før du setter det til oppbevaring i lang tid.
- Bruk transportbeskyttelsen på produktet for å unngå personskader eller skade på produktet under transport og oppbevaring.
- Fest produktet på en sikker måte under transport.

Kassering av batteri, batterilader og produktet

Symbolet nedenfor indikerer at produktet er ikke husholdningsavfall. Resirkuler det på et gjenvinningsanlegg for elektrisk og elektronisk utstyr. Dette bidrar til å forhindre miljøskader og personskader.

Snakk med lokale myndigheter, det lokale renovasjonsvesenet eller forhandleren hvis du ønsker mer informasjon.

(Fig. 21)

Merk: Symbolet vises på produktet eller produktets emballasje.

Tekniske data

Tekniske data

	120i
Plattform	CS100EU
Motor	

	120i
Type	BLDC (børsteløs) 36 V
Egenskaper	
Lavenergimodus	savE
Smøresystem	
Type oljepumpe	Automatisk
Volum oljetank, liter	0,20
Vekt	
Motorsag uten batteri, sverd og sagkjede og med tom kjedeoljetank, kg	2,95
Støynivå ¹⁰	
Lydeffektnivå, målt dB(A)	98
Lydeffektnivå, garantert L _{WA} dB(A)	101
Lydnivåer ¹¹	
Ekvivalent lydtryknivå ved brukerens øre, dB(A)	88
Vibrasjonsnivåer ¹²	
	3,8
Sagkjede/sverd	
Anbefalte sverdlengder, tommer/cm	12/30
Effektiv skjærelengde, tommer/cm	10/26
Type drivhjul / antall tenner	Spur/6
Maksimal kjedehastighet / (savE), m/s	11,5 (10)

Tilbehør

Kombinasjoner av sverd og sagkjede

Følgende skjæreutstyr er godkjent for Husqvarna 120i.

Sverd				Sagkjede	
Lengde, tommer	Kjededeling, tommer	Sporbredde, mm	Maks. antall tenner nesehjul	Type	Lengde, drivledd (nr.)
12	3/8	1,1	7T	Husqvarna H38	45

¹⁰ Utslipp av støy til omgivelsene målt som lydeffekt (L_{WA}) samsvarer med EF-direktiv 2000/14/EF.






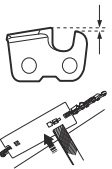
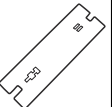

¹¹ Ekvivalent lydtryknivå i henhold til ISO 22868 beregnes som tidsvektet total energi for ulike lydtryknivåer under forskjellige driftsforhold. Typisk statistisk spredning for ekvivalent lydtryknivå er et standard avvik på 2,5 dB(A).

¹² Det oppgitte vibrasjonsnivået er for håndtaket med det høyeste tallet. Typisk statistisk spredning for vibrasjonsnivå er 1,5 m/s.

Fileutstyr og filevinkler

Bruk av Husqvarnas filmal vil gi deg de riktige filevinklene. Vi anbefaler at du alltid bruker en filmal fra Husqvarna til å gjenopprette skarpheten til sagkjedet. Delenumrene er oppgitt i tabellen nedenfor.

Hvis du ikke vet hvilket sagkjede du har på produktet ditt, kan du snakke med serviceforhandleren din.

							
38	11/64 tommer / 4,5 mm	75°	30°	0°	0,025 tommer / 0,65 mm	5056981-03	5795588-01

Godkjente batterier

Bruk bare Husqvarna originale BLI-batterier til dette produktet.

Godkjente batterier til produktet

Batteri	BLi20		BLi22	
Type	Litium-ion		Litium-ion	
Batterikapasitet, Ah	4,2 (VTC4)	4 (HD2)	4,2 (VTC4)	4,0 (EVE 20P)
Spenning, V	36	36,5	36	36
Vekt, lb/kg	2,6/1,2	2,6/1,2	2,6/1,2	2,6/1,2

Godkjente batteriladere til produktet

Batterilader	QC80
Nettspenning, V	100–240
Frekvens, Hz	50–60
Effekt, W	100
Utgangsspenning, V DC Ampere, A	36/2

EF-samsvarserklæring

Husqvarna AB, SE-561 82 Huskvarna, Sweden, tlf: +46-36-146500, erklærer på eget ansvar at den trådløse, batteridrevne motorsagen **Husqvarna 120i (plattform CS100EU)** fra 2016-serienummer og fremover (året er oppgitt i klartekst på typeskiltet, etterfulgt av et serienummer) oppfyller kravene i RÅDSDIREKTIVENE:

- fra 17. mai 2006 «angående maskiner», **2006/42/EF**
- fra 26. februar 2014 «angående elektromagnetisk kompatibilitet», **2014/30/EU**
- fra 8. juni 2011 «om begrensninger i bruk av visse farlige stoffer», **2011/65/EU**
- fra 8. mai 2000 «angående utslipp av støy til omgivelsene», **2000/14/EF**

Følgende standarder er blitt brukt: **EN**

60745-1:2009+A11:2010, EN

60745-2-13:2009+A1:2010, EN

55014-1:2006+A1:2009+A2:2011, EN 61000-4-2:2009,

EN 61000-4-3:2006+A1:2008, EN IEC63000:2018.

Kontrollorgan: TÜV Rheinland LGA Products GmbH, Tillystrasse 2, D-90431 Nuernberg, Germany, 0197, har utført EU-typeundersøkelsen i henhold til maskindirektivets (2006/42/EF) artikkel 12, punkt 3b.

Sertifikatet har følgende nummer: **BM 50356394 0001**

Den leverte motorsagen samsvarer med det eksemplaret som gjennomgikk EF-typeprøving.

For informasjon som gjelder støyutslipp, kan du se *Tekniske data på side 101.*

Huskvarna, 20181031



Pär Martinsson, utviklingssjef (autorisert representant for Husqvarna AB og ansvarlig for teknisk dokumentasjon)

Sisällys

Johdanto.....	106	Vianmäärittäminen.....	122
Turvallisuus.....	107	Kuljettaminen, säilyttäminen ja hävittäminen.....	123
Asentaminen.....	113	Tekniset tiedot.....	123
Käyttö.....	113	Tarvikkeet.....	124
Huolto.....	118	EY-vaatimusten mukaisuusvakuutus.....	127

Johdanto

Tuotekuvaus

Tämä laite on sähkömoottorilla toimiva moottorisaha.

Käytön aikaista turvallisuutta ja tehokkuutta kehitetään jatkuvasti. Lisätietoja saat huoltoliikkeestä.

Käyttötarkoitus

Tämä laite on tarkoitettu puun sahaamiseen.

Laitteen kuvaus

(Kuva 1)

1. Takapotkusuojus
2. Näppäimistö
3. SavE-painike
4. Varoitusvalo
5. Käynnistys-/pysäytyspainike
6. Käyttöliipaisimen varmistin
7. Takakahva oikean käden suojuksella
8. Tuulettimen kotelo
9. Ketjuöljysäiliö
10. Akkulaturi
11. Virtajohto
12. Varoitusvalo
13. Liitin
14. Käyttöohjekirja
15. Terälevyn suojus
16. Vetopyörän suojus
17. Ketjukireyden säätöpyörä
18. Nuppi
19. Ketjusieppo
20. Kuorituki
21. Kärkipyörä
22. Teräketju
23. Terälevy
24. Etukahva
25. Käyttöliipaisin
26. Akku
27. Akun vapautuspainikkeet
28. Akun tila
29. Painike, akun tila
30. Varoitusvalo

Huomautus: Kansalliset määräykset saattavat rajoittaa tuotteen käyttöä.

Laitteen symbolit

- (Kuva 2) Vakava tapaturma- tai kuolemanvaara laitteen käyttäjälle tai muille henkilöille. Ole varovainen ja käytä laitetta oikein.
- (Kuva 3) Lue käyttöohje huolellisesti ennen tämän laitteen käyttämistä ja varmista, että olet ymmärtänyt kaiken.
- (Kuva 4) Käytä hyväksytyä suojakypärää, kuulosuojaimia ja suojalaseja.
- (Kuva 5) Tämä laite täyttää voimassa olevien EY-direktiivien vaatimukset.
- (Kuva 6) Melupäästöt ympäristöön eurooppalaisen direktiivin 2000/14/EY ja Uuden Etelä-Walesin lainsäädännön Protection of the Environment Operations (Noise Control) Regulation 2017 -asetuksen mukaisesti. Melupäästöt ilmoitetaan koneen arvokilvessä ja luvussa Tekniset tiedot.
- (Kuva 7) Moottorisahaa on käytettävä molemmilla käsillä.
- (Kuva 8) Älä käytä moottorisahaa pitämällä sitä vain yhdellä kädellä.
- (Kuva 9) Älä anna terälevyn kärjen osua mihinkään.
- (Kuva 10) Varoitus! Jos terälevyn kärki osuu johonkin, tämä saattaa aiheuttaa

takapotkun. Tällöin terälevy sinkoutuu käyttäjää kohti. Vakava tapaturma- tai hengenvaara.

- (Kuva 11) Teräketjun pyörimissuunta ja terälevyn enimmäispituus.
- (Kuva 12) Ketjujarru, kytketty (oikea). Ketjujarru, vapautettu (vasen).
- (Kuva 13) Teräketjuöljyn täyttö.
- (Kuva 14) Tasavirta.
- (Kuva 15) Ei saa altistaa sateelle.
- (Kuva 16) **Ympäristömerkintä.** Laitetta tai sen pakkausta ei saa hävittää kotitalousjätteen mukana. Vie se asianmukaiseen sähkö- ja elektroniikkalaitteiden keräyspisteeseen.
- (Kuva 20) Sarjanumero näkyy tyyppikilvessä. **yyyy** on valmistusvuosi ja **ww** valmistusviikko.

Huomautus: Muita laitteen symboleita/tarroja tarvitaan joillakin markkina-alueilla ilmaisemaan sertifiointivaatimuksia.

Akun ja/tai akkulatorin symbolit

- (Kuva 21) Vie tämä laite asianmukaiseen sähkö- ja elektroniikkalaitteiden keräyspisteeseen. (Koskee ainoastaan Eurooppaa)
- (Kuva 17) Vikaturvallinen muuntaja.
- (Kuva 18) Käytä ja säilytä akkulatoria ainoastaan sisätiloissa.
- (Kuva 19) Kaksoiseristys.

Turvallisuus

Turvallisuusmääritelmät

Oheiset määritelmät kertovat huomiosanojen vakavuustason.



VAROITUS: Henkilövahinko.



HUOMAUTUS: Laitteavaurio.

Huomautus: Nämä tiedot helpottavat laitteen käyttöä.

Yleiset sähkötyökaluja koskevat varoitukset



VAROITUS: Lue kaikki turvavaroitukset ja kaikki ohjeet. Varoitusten ja ohjeiden noudattamisen laiminlyöminen voi johtaa sähköiskuun, tulipaloon ja/tai vakavaan tapaturmaan.

Huomautus: **Säästä kaikki varoitukset ja ohjeet tulevaa käyttöä varten.** Varoituksissa termillä "sähkötyökalu" tarkoitetaan verkkosähköllä toimivaa

(johdollista) sähkötyökalua tai akkukäyttöistä (johdotonta) sähkötyökalua.

Työalueen turvallisuus

- **Pidä työalue siistinä ja hyvin valaistuna.** Sotkuiset tai hämärit alueet ovat alttiita onnettomuuksille.
- **Älä käytä sähkötyökaluja räjähdysriskissä ympäristössä, esimerkiksi herkästi syttyvien nesteiden, kaasujen tai pölyn läheisyydessä.** Sähkötyökaluista lähtevät kipinät voivat sytyttää pölyn tai kaasut.
- **Pidä lapset ja sivulliset poissa, kun käytät sähkötyökalua.** Häiriöt voivat saada sinut menettämään työkalun hallinnan.

Sähköturvallisuus

- **Sähkötyökalun pistokkeen on sovittava pistorasiaan. Älä koskaan muuta pistoketta millään tavoin. Älä käytä mitään pistokesovittimia maadoitettujen sähkötyökalujen kanssa.** Muuttamattomat pistokkeet ja sopivat pistorasiat vähentävät sähköiskun vaaraa.
- **Varo koskettamasta maadoitettuja pintoja, kuten putkia, pattereita, liesiä ja jääkaappeja.** Sähköiskun riski kasvaa, jos käyttäjän keho on maadoitettu.
- **Älä altista sähkötyökaluja sateelle tai märille olosuhteille.** Sähkötyökaluun päässyt vesi lisää sähköiskun riskiä.
- **Älä vahingoita johtoa. Älä koskaan käytä johtoa kantamiseen, vetämiseen tai pistokkeen**

irrottamiseen pistorasiasta. Pidä johto etäällä kuumuudesta, öljystä, terävistä reunoista tai liikkuvista osista. Vahingoittuneet tai sotkeutuneet johdot lisäävät sähköiskun riskiä.

- **Kun käytät sähkötyökaluja ulkona, käytä ulkotiloihin sopivaa jatkojohtoa.** Ulkokäyttöön sopivan johdon käyttäminen vähentää sähköiskuvaaraa.
- **Mikäli et voi välttää sähkötyökulun käyttöä kosteissa olosuhteissa, käytä maavuotokatkaisinta.** Maavuotokatkaisimen käyttö vähentää sähköiskun vaaraa.

Henkilökohtainen turvallisuus

- **Kun käytät sähkötyökaluja, ole tarkkana, käytä tervettä järkeä ja keskity siihen, mitä olet tekemässä. Älä käytä sähkötyökaluja väsyneenä tai alkoholilla, huumeiden tai lääkityksen vaikutuksen alaisena.** Hetken epähuomio sähkötyökaluja käytettäessä voi johtaa vakavaan henkilövahinkoon.
- **Käytä henkilökohtaisia suojavarusteita. Pidä aina silmäsuojia.** Hengityssuojain, luistamattomat turvakengät, kypärä, kuulosuojaimet ja muut suojavarusteet niitä vaativissa oloissa käytettynä vähentävät henkilövahinkoja.
- **Estä tahaton käynnistys. Varmista ennen virtalähteeseen ja/tai akkuun kytkemistä, työkaluun tarttumista tai sen kantamista, että sen virta on katkaistu.** Sähkötyökaluja kantaminen sormi katkaisijalla tai niiden kytkeminen sähköverkkoon tai akkuun katkaisimen ollessa päällä altistaa onnettomuuksille.
- **Irrota mahdolliset säätöavaimet ennen virran kytkemistä sähkötyökaluun.** Sähkötyökulun pyörittävään osaan kiinnitetty avain voi aiheuttaa henkilövahingon.
- **Älä kurota. Säilytä aina tukeva asento ja tasapaino.** Tämä mahdollistaa sähkötyökulun paremman hallinnan odottamattomissa tilanteissa.
- **Pukeudu oikein. Älä käytä löysästi istuvia vaatteita tai koruja. Pidä hiuksesi, vaatteesi ja käsineesi poissa liikkuvista osista.** Löysät vaatteet, korut tai pitkät hiukset voivat tarttua liikkuviin osiin.
- **Jos käytettävissä on kytkentämahdollisuus pölynpoistojärjestelmälle, varmista, että se kytketään ja että sitä käytetään oikein.** Pölynpoistojärjestelmän käyttö voi vähentää pölyyn liittyviä riskejä.
- **Tärinäpäästöt sähkötyökulun varsinaisen käytön aikana voivat poiketa ilmoitetusta kokonaisarvosta työkalun käyttötavasta riippuen.** Käyttäjien tulee itsensä suojaamiseksi noudattaa turvatoimia, jotka perustuvat päästöjen arviointiin todellisissa käyttöolosuhteissa (huomioon ottaen kaikki käyttöjakson osat, kuten työkalun päälläkäytkeisaika ja se, milloin se käy joutokäynnillä, liipaisimen lisäksi).

Sähkötyökaluja käyttö ja huolto

- **Älä pakota sähkötyökaluja. Käytä käyttötarkoitukseen sopivaa sähkötyökaluja.** Oikea sähkötyökalu tekee

työn paremmin ja turvallisemmin nopeudella, jota varten se on suunniteltu.

- **Älä käytä sähkötyökaluja, jos virtaa ei voi kytkeä ja katkaista virkatarkkaisimella.** Mikä tahansa sähkötyökalu, jota ei voi hallita katkaisimella, on vaarallinen, ja se pitää korjata.
- **Irrota pistoke pistorasiasta ja/tai akku sähkötyökaluista ennen kuin teet mitään säätöjä, vaihdat lisävarusteita tai varastoit sähkötyökulun.** Sellaiset varotoimet vähentävät riskiä, että sähkötyökalu käynnistetään vahingossa.
- **Varastoit käyttämättömät sähkötyökalat pois lasten ulottuvilta, äläkä anna henkilöiden, jotka eivät tunne sähkötyökaluja tai näitä ohjeita, käyttää sähkötyökaluja.** Sähkötyökalat ovat vaarallisia kouluttamattomien käyttäjien käsissä.
- **Huolla sähkötyökaluja. Tarkista, etteivät liikkuvat osat ole väärin suunnattuja tai tarttuvia, ettei mikään osa ole murtunut eikä kaikki muut tekijät, jotka voivat vaikuttaa sähkötyökulun toimintaan. Jos sähkötyökalu on vahingoittunut, korjauta se ennen käyttöä.** Monet onnettomuudet johtuvat huonosti huolletuista sähkötyökaluista.
- **Pidä leikkaustyökalat terävinä ja puhtaina.** Oikein huolletut leikkaustyökalat, joiden leikkausreunat ovat terävät, eivät juutu kiinni niin helposti ja ovat helpommin hallittavissa.
- **Käytä sähkötyökaluja, lisävarusteita, teriä jne. näiden ohjeiden mukaisesti ottaen huomioon työskentelyolosuhteet ja suoritettavan työn laadun.** Sähkötyökulun käyttäminen ennakkoiduista poikkeavissa olosuhteissa voi johtaa vaaratilanteeseen.

Akkukäyttöisten työkalujen käyttö ja huolto

- **Lataa akku ainoastaan valmistajan tarkoitukseen nimeämällä laturilla.** Tietynlaiseen akustoon soveltuva laturi voi aiheuttaa toisen akuston lataamiseen käytettynä tulipalon vaaran.
- **Liitä työkaluihin ainoastaan niissä käytettäviksi hyväksytyjä akkuja.** Muunlaisien akkujen käyttö voi aiheuttaa tapaturmien tai tulipalon vaaran.
- **Kun akkuja ei käytetä, pidä se etäällä metalliesineistä, kuten paperiliittimistä, kolikoista, avaimista, nauloista, ruuveista tai muista pienistä metalliesineistä, jotka saattavat aiheuttaa kosketuksen liittinten välillä.** Akkuliittinten saattaminen keskenään oikosulkuun voi aiheuttaa palovammoja tai tulipalon.
- **Akusta voi tihkua nestettä väärissä olosuhteissa. Vältä kosketusta akkunesteeseen. Jos akkunestettä joutuu iholle, huuhtelee ihoalue vedellä. Jos neste joutuu kosketuksiin silmien kanssa, ota myös yhteys lääkäriin.** Akkuneste voi aiheuttaa ihoärsytystä tai palovammoja.

Huolto

- **Anna sähkötyökulun korjaaminen pätevän korjaajan tehtäväksi, joka käyttää vain täysin samanlaisia**

vaihto-osia. Tämä varmistaa, että sähkötyökalu säilyy turvallisena käyttäjä.

Moottorisahan turvamuistutukset

- **Pidä kaikki ruumiinosat poissa teräketjun luota moottorisahan ollessa käynnissä. Ennen kuin käynnistät moottorisahan, varmista, ettei teräketju osu mihinkään.** Hetken huolimattomuus moottorisahaa käytettäessä voi aiheuttaa vaatteiden tai kehon tarttumisen teräketjuun.
- **Pidä moottorisaha aina tukevassa otteessa oikea käsi takakahvassa ja vasen käsi etukahvassa.** Moottorisahan pitäminen kädet päinvastaisessa asennossa lisää henkilövahingon riskiä, joten sitä ei pidä tehdä koskaan.
- **Pidä konetta kädessäsi tarttumalla ainoastaan sen eristettyihin tartuntapintoihin, sillä teräketju voi koskettaa näkyvättömässä olevia sähköjohtoja tai omaa virtajohtoaan.** Jos moottorisaha koskettaa jännitteellistä sähköjohtoa, myös laitteen paljaisiin metalliosiin voi syntyä jännite, jolloin käyttäjä voi saada sähköiskun.
- **Käytä suojalaseja ja kuulonsuojaimia. Lisäsuojausta päälle, käsille ja jaloille suositellaan.** Asianmukainen turva-asu pienentää lentävistä roskista tai teräketjun tahattomasta koskettamisesta aiheutuvien henkilövahinkojen riskiä.
- **Älä käytä moottorisahaa ylhäällä puussa.** Moottorisahan käyttö ylhäällä puussa voi johtaa henkilövahinkoihin.
- **Pidä aina kunnollinen jalansija, ja käytä moottorisahaa vain seistessäsi kiinteällä, turvallisella ja tasaisella pinnalla.** Liukkaat tai epätasaiset pinnat, kuten tikkaat, voivat aiheuttaa tasapainon tai moottorisahan hallinnan menettämisen.
- **Varo takaisinkimmahdusta jännityksessä olevaa oksaa sahatessasi.** Kun puun kuitujen jännitys vapautuu, jännittynyt oksa voi osua käyttäjään ja/tai heittää moottorisahaa hallitsemattomasti.
- **Ole erittäin varovainen sahatessasi pensaita ja taimia.** Ohut materiaali voi tarttua teräketjuun ja lyödä sinua kohti tai vetää sinut pois tasapainosta.
- **Kanna moottorisahaa etukahvasta virta katkaistuna ja pois päin kehostasi.** Kun kuljetat moottorisahaa tai viet sitä varastoon, käytä aina terälevyn suojaa. Moottorisahan asianmukainen käsittely pienentää tahattoman, pyörivään teräketjuun kosketuksen riskiä.
- **Noudata voitelua, ketjun kiristämistä ja lisävarusteiden vaihtoa koskevia ohjeita.** Virheellisesti kiristetty tai voideltu teräketju voi joko katketa tai kasvattaa takapotkun riskiä.
- **Pidä kahvat kuivina, puhtaina ja öljyttömänä sekä puhtaana vaseliinista.** Rasvaiset ja öljyiset kahvat ovat liukkaita, mikä voi aiheuttaa hallinnan menettämisen.
- **Sahaa vain puuta. Älä käytä moottorisahaa muihin kuin asianmukaisiin tarkoituksiin. Älä sahaa esimerkiksi muovia, kiveä tai muita kuin puisia rakennusmateriaaleja.** Moottorisahan käyttö muihin

kuin sille tarkoitettuihin tehtäviin voi aiheuttaa vaaratilanteen.

- Suosittelemme, että sahaa ensi kertaa käyttävät harjoittelevat runkojen sahausta sahapukilla.

Takapotkun syyt ja keinot sen estämiseen

Terälevyn kärjen osuminen esineeseen tai puun sulkeutuminen ja teräketjun sahausuraan puristuksiin jääminen voi aiheuttaa takapotkun. Joissakin tilanteissa kärjen osuminen voi aiheuttaa äkillisen vastareaktion, jolloin terälevy sinkoutuu ylöspäin ja kohti käyttäjää. Teräketjun nipistäminen terälevyn yläosassa voi työntää terälevyä nopeasti taakse kohti käyttäjää. Kumpi tahansa näistä reaktioista voi aiheuttaa sahan hallinnan menettämisen, minkä seurauksena voi olla vakava loukkaantuminen. Älä luota yksinomaan sahaan asennettuihin turvalaitteisiin. Moottorisahan käyttäjän tulee suorittaa useita toimenpiteitä, joilla pyritään estämään tapaturmat tai loukkaantumiset sahaustöiden yhteydessä. Takapotku on tulosta työkalun virheellisestä käytöstä ja/tai virheellisistä toimintatavoista tai olosuhteista, ja se voidaan välttää alla kuvatuilla asianmukaisilla varotoimilla:

- **Säilytä pitävä ote sahasta siten, että peukalot ja etusormet ympäröivät moottorisahan kahvat ja molemmat kädet ovat sahan päällä, ja pidä kehosi ja käsivartesi asennossa, jossa pystyt vastaanottamaan takapotkuvoimat.** Käyttäjä voi hallita takapotkuvoimat, jos ryhtyy asianmukaisiin varotoimiin. Älä päästä irti moottorisahasta.
- **Älä kurkota liian kauas, äläkä koskaan sahaa olkapäätaason yläpuolelta.** Tämä auttaa estämään tahatonta kärkekosketusta ja mahdollistaa paremman moottorisahan hallinnan odottamattomissa tilanteissa.
- **Käytä ainoastaan valmistajan määrittämiä varaterälevyjä ja -ketjuja.** Väärin terälevyjen ja teräketjujen käytöstä voi seurata teräketjun katkeaminen ja/tai takapotku.
- **Noudata valmistajan ohjeita teräketjun villaukseen ja kunnossapitoon.** Syvyyden säädön korkeuden laskeminen voi lisätä takapotkua.

SÄILYÄ NÄMÄ OHJEET TALLESSA.

Yleiset turvaohjeet



VAROITUS: Lue seuraavat varoitusohjeet ennen koneen käyttämistä.

- Tämä laite on vaarallinen työkalu, jos sitä käytetään huolimattomasti tai väärin. Tämä laite voi aiheuttaa käyttäjälle tai sivullisille vakavia vahinkoja tai kuoleman. On erittäin tärkeää, että luet ja ymmärrät tämän käyttöohjeen sisällön.
- Älä tee laitteeseen muutoksia, joita valmistaja ei ole hyväksynyt. Älä koskaan käytä laitteita, johon joku toinen on tehnyt muutoksia. Käytä aina alkuperäisiä lisävarusteita. Muut kuin valmistajan hyväksymät

muutokset laitteeseen voivat aiheuttaa vakavia vahinkoja tai kuoleman käyttäjälle tai sivullisille.

- Teräketjujohjuurujen ja sahanpurun pitkäaikainen hengittäminen voi aiheuttaa terveysongelmia.
- Kone muodostaa käytön aikana sähkömagneettisen kentän. Kenttä saattaa joissakin olosuhteissa häiritä aktiivisten tai passiivisten lääketieteellisten implanttien toimintaa. Jotta vakavilta vahingoilta tai kuolemalta vältytään, lääkinnällisiä implantteja käyttävien henkilöiden kannattaa neuvotella lääkärin ja lääkinnällisen implantin valmistajan kanssa ennen tämän laitteen käyttämistä.

Turvallisuusohjeet käyttöä varten



VAROITUS: Lue seuraavat varoitusohjeet ennen laitteen käyttämistä.

- Tässä käyttöohjeessa annetut tiedot eivät korvaa käyttäjän omaa ammattitaitoa ja kokemusta. Jos et tunne olosi turvallisiksi jossakin tilanteessa, pysäytä laite. Ota yhteys huoltoilikkeeseen tai pätevään moottorisahan käyttäjään. Älä tee mitään sellaista, mihin et katso taitosi riittävän!
- Huoltoilike tai Husqvarna auttaa, jos sinulla on kysyttävää laitteen käytöstä. Osaamme neuvoa sinua käyttämään laitetta tehokkaasti ja turvallisesti. Osallistu mahdollisuuksien mukaan moottorisahan käyttökoulutukseen. Jälleenmyyjäsi, metsäopistot tai kirjastot voivat antaa tietoja saatavilla olevista koulutusmateriaaleista ja kursseista.
- Sinun on ymmärrettävä ennen tämän laitteen käyttöä, mitä takapotku tarkoittaa ja miten se voidaan välttää. Katso ohjeet kohdista *Tietoa takapotkusta sivulla 115* ja *Yleisiä kysymyksiä takapotkusta sivulla 114*.
- Älä koskaan käytä viallista laitetta, akkua tai akkulaturia.
- Älä koske liikkuvaan teräketjuun. Se saattaa aiheuttaa vakavia vahinkoja tai kuoleman.
- Älä käytä laitetta, jos olet väsynyt, nauttinut alkoholia tai käytät näkökykyyn, vireyteen, harkintakykyyn tai kehon hallintaan mahdollisesti vaikuttavia lääkkeitä.
- Huonossa säässä työskentely on väsyttävää, ja siihen liittyy usein riskitekijöitä. Riskitekijöiden takia laitetta ei ole suositeltavaa käyttää huonoissa sääolosuhteissa, kuten sumuisella tai sateisella säällä, kovalla tuulella, erittäin kylmällä säällä tai ukkosella.
- Älä koskaan käynnistä moottorisahaa, jos terälevy, teräketju ja kaikkia suojuksia ei ole asennettu oikein. Muussa tapauksessa vetopyörä voi irrota ja aiheuttaa vakavia henkilövahinkoja. Katso ohjeet kohdasta *Asentaminen sivulla 113*.(Kuva 22)
- Katso ympärillesi. Varmista, että muut ihmiset tai eläimet eivät pääse osumaan laitteeseen tai vaarantamaan laitteen hallintaa.(Kuva 23)
- Älä anna lasten käyttää laitetta tai tulla sen lähelle. Laite on helppo käynnistää, joten valvomatta jätetyt lapset saattavat pystyä käynnistämään sen. Tämä voi johtaa vakaviin vahinkoihin.
- Irrota akku, jos et pysty valvomaan laitetta tai joudut jättämään sen lyhyeksikin aikaa.
- Laitteen hallinta edellyttää, että seisot tukevassa asennossa. Älä käytä laitetta, jos seisot tikkailla tai olet puussa. Älä käytä laitetta, jos et seisoo tukevalla alustalla.(Kuva 24)
- Jos olet huolimaton, takapotkun vaara kasvaa. Jos terälevyn takapotkusektori osuu vahingossa oksaan, puuhun tai muihin esineisiin, tämä saattaa aiheuttaa takapotkun.(Kuva 25)
- Älä pitele laitetta yhdellä kädellä. Laitetta ei voi hallita turvallisesti yhdellä kädellä.
- Älä käytä laitetta hartialinjaa korkeammalla, äläkä yritä sahata terälevyn kärjellä. (Kuva 26)
- Älä käytä laitetta tilanteessa, jossa et voi saada apua onnettomuuden sattuessa.
- Pysäytä laite ja kytket kejujarru ennen laitteen siirtämistä. Pitele laitetta siten, että terälevy ja teräketju osoittavat taaksepäin. Suojaa terälevy kuljetussuojuksella ennen laitteen kuljettamista tai siirtämistä.
- Kun asetat laitteen maahan, kytke kejujarru ja pidä laitetta jatkuvasti silmällä. Sammuta laite ja irrota akku ennen kuin jätät laitteen valvomatta vaikka lyhyeksikin ajaksi.
- Puulastut saattavat juuttua vetojärjestelmään. Tällöin teräketju voi juuttua kiinni. Sammuta laite ja irrota akku aina ennen puhdistusta.
- Varmista, että pääset liikkumaan turvallisesti laitteen lähetyvillä. Tarkista ympäristön ja maaston kunto juurakoiden, kivien, oksien ja oijien kaltaisten esteiden varalta. Ole varovainen, kun työskentelet kaltevilla pinnoilla.
- Tärinätaiso lisääntyy, jos käytät sahaukseen vääriä tai virheellisesti teroitettua terälaitetta. Lehtipuiden kaltaisten kovien puulajien sahaus aiheuttaa enemmän tärinää kuin havupuiden kaltaisten pehmeiden puulajien sahaus. (Kuva 27)
- Liiallinen altistuminen tärinälle saattaa aiheuttaa verisuoni- tai hermovaurioita verenkiertohäiriöistä kärsiville henkilöille. Käänny lääkärin puoleen, jos havaitset oireita, jotka voivat liittyä liialliseen tärinäaltistukseen. Esimerkkejä tällaisista oireista ovat puutumiset, tunnottomuus, kutinat, pistelyt, kipu, voimattomuus tai heikkous, ihon värin tai pinnan muutokset. Näitä oireita esiintyy tavallisesti sormissa, käsissä tai ranteissa etenkin kylmällä säällä.
- Vältä tilanteita, joihin et katso taitojesi riittävän.
- Tässä käyttöohjeessa ei pystytä millään kuvaamaan kaikkia mahdollisia tilanteita, joita laitteen käytössä saattaa tulla vastaan. Ole aina varovainen ja käytä tervettä järkeä.(Kuva 28)

Henkilökohtainen suojarustus



VAROITUS: Lue seuraavat varoitusohjeet ennen koneen käyttämistä.

(Kuva 29)

- Suurin osa moottorisahaa käytettäessä sattuvista onnettomuuksista tapahtuu teräketjun osuessa käyttäjään. Käytä hyväksytyä henkilökohtaista suojarustusta käytön aikana. Henkilökohtaiset suojarusteet eivät kokonaan estä vammoja, mutta ne lieventävät niitä onnettomuusilanteessa. Pyydä huoltoliikettäsi suosittelemaan käytettäviä varusteita.
- Vaatteiden on oltava vartalonmyötäiset, mutta ne eivät saa rajoittaa liikkumista. Tarkista säännöllisesti henkilökohtaisten suojarusteiden kunto.
- Käytä hyväksytyä suojakypärää.
- Käytä hyväksytyjä kuulonsuojaimia. Pitkäaikainen altistuminen melulle saattaa aiheuttaa pysyviä kuulovaurioita.
- Käytä suojalaseja tai kasvosiviriä, jotta sinkoavien kappaleiden aiheuttama tapaturmien vaara olisi pienempi. Laite voi saada puulastujen ja pienten puunpalojen kaltaiset kappaleet sinkoutumaan ympäristöön suurella voimalla. Ne voivat aiheuttaa vakavia vahinkoja, etenkin silmille.
- Käytä viiltosuojattuja käsineitä.
- Käytä viiltosuojattuja housuja.
- Käytä viiltosuojattuja, teräksisellä varvassuojalla ja luistamattomalla pohjalla varustettuja saappaita.
- Pidä ensiapupakkausta aina mukana.
- Kipinöintivaara. Pidä palosammutusvälineet ja lapio lähistöllä metsäpalojen ehkäisemistä varten.

Tuotteen turvalaitteet



VAROITUS: Lue seuraavat varoitusohjeet ennen koneen käyttämistä.

- Älä käytä konetta, jos jokin sen turvalaitteista on rikki.
- Tarkasta turvalaitteet säännöllisesti. Katso *Laitteen turvalaitteiden huolto ja tarkistukset sivulla 119*.
- Jos turvalaitteissa on vikoja, ota yhteyttä Husqvarna-huoltoliikkeeseen.

Näppäimistö

Varoitusvalo vilkkuu, jos ketjujarru on kytkettyä tai laite on vaarassa ylikuormittua. Ylikuormitusuoja pysäyttää laitteen hetkellisesti ja estää sen käytön, kunnes lämpötila palautuu ennalleen. Jos valo palaa jatkuvasti, käänny huoltoliikkeen puoleen. (Kuva 30)

Automaattinen pysäytys

Laitteessa on automaattinen pysäytystoiminto, joka pysäyttää laitteen, jos sitä ei käytetä minuuttiin.

Takapotkusuojuksella varustettu ketjujarru

Laitteessa on ketjujarru, joka pysäyttää ketjujarrun takapotkun sattuessa. Ketjujarru vähentää onnettomuusriskiä, mutta vain sinä voit estää onnettomuudet. (Kuva 31)



VAROITUS: Vältä tilanteita, joihin liittyy takapotkuvaara. Ole varovainen laitetta käyttäessäsi ja varmista, että terälevyn takapotkusektori ei osu mihinkään.

(Kuva 32)

Ketjujarru (A) kytketään joko käsin (vasemmalla kädellä) tai automaattisella pysäytystoiminnolla. Kytke ketjujarru siirtämällä takapotkusuojusta (B) eteenpäin. Tämä liike käynnistää jousikuormitteisen mekanismin, joka pysäyttää vetopyörän. (Kuva 33)

Ketjujarrun kytkemistapa on suhteessa takapotkun voimaan ja laitteen asentoon. Jos takapotku on huomattavan voimakas takapotkusektorin ollessa mahdollisimman kaukana käyttäjästä, automaattinen pysäytystoiminto kytkee ketjujarrun. Jos takapotku on lievä tai takapotkusektori on lähempänä käyttäjää, ketjujarru kytketään päälle vasemmalla kädellä. (Kuva 34)

Käytä ketjujarrua seisontajarruna, kun käynnistät laitetta tai siirät sitä lyhyitä matkoja. Tällöin teräketju ei pääse osumaan käyttäjään tai sivullisiin. (Kuva 35)

Kytke ketjujarru pois päältä vetämällä takapotkusuojusta taaksepäin. (Kuva 36)

Takapotku voi olla salamannopea ja erittäin voimakas. Useimmat takapotkut ovat heikkoja, eivätkä ne aina kytke ketjujarrua. Mikäli takapotku tapahtuu sahan käytön aikana, pidä lujasti kiinni kahvoista, äläkä päästä irti. (Kuva 37)

Takapotkusuojaus pienentää myös teräketjuun osumisen riskiä, jos ote irtoaa etukahvasta. (Kuva 38)

Kaatoasennossa ketjujarrua ei voi kytkeä käsin. Tässä asennossa ketjujarrun voi kytkeä päälle ainoastaan automaattisella pysäytystoiminnolla. (Kuva 39)

Käyttöliipaisimen varmistin

Käyttöliipaisimen varmistin estää tahattoman käyttöliipaisimen käytön. Jos tartut kahvaan ja painat käyttöliipaisimen varmistinta (A), käyttöliipaisin (B) vapautuu. Kun irrotat otteen kahvasta, sekä käyttöliipaisin että varmistin palautuvat lähtöasentoonsa. (Kuva 40)

Ketjusieppo

Jos teräketju katkeaa tai irtoaa, se jää ketjusieppoon. Jos ketjun kireys on sopiva, riski pienenee. Riskiä voi pienentää myös oikeaoppisilla terälevyn ja -ketjun huoltotoimenpiteillä. Katso ohjeet kohdista *Teräketjun kiristäminen sivulla 121* ja *Huolto sivulla 118*. (Kuva 41)

Rystyssuojus

Rystyssuojus suojaa kättäsi, jos teräketju katkeaa tai irtoaa. Se estää myös sen, että oksat ja risut eivät pääse häiritsemään kahvasta kiinni pitämistä laitetta käytettäessä. (Kuva 42)

Akkuturvallisuus



VAROITUS: Lue seuraavat varoitusohjeet ennen koneen käyttämistä.

- Käytä vain laitteellesi suositeltuja BLI -akkuja. Akkujen ohjelmisto on suojattu.
- Käytä ladattavia BLI -akkuja vain kyseisten Husqvarna-tuotteiden virtalähteenä. Tapaturmien välttämiseksi akkua ei saa käyttää muiden laitteiden virtalähteenä.
- Sähköiskun vaara. Älä koske akun napoihin avaimella, ruuvilla tai muilla metalliesineillä. Tämä voi aiheuttaa akun oikosulun.
- Älä käytä akkuja, joita ei voi ladata.
- Älä aseta esineitä akun ilmarakoihin.
- Pidä akku suojassa suoralta auringonvalolta, kuumuudelta ja avotulelta. Akku voi aiheuttaa paloja/tai syöpymisvammoja.
- Suojaa akku sateelta ja kosteilta olosuhteilta.
- Älä altista akkua mikroaalloille ja korkealle paineelle.
- Älä yritä purkaa tai rikkoa akkua.
- Älä anna akkuhapon joutua kosketuksiin ihon kanssa. Akkuhappo vahingoittaa ihoa ja aiheuttaa korroosiota ja palovammoja. Jos akkuhappoa joutuu silmiisi, älä hankaa silmiä vaan huuhtele niitä vedellä ainakin 15 minuuttia. Jos akkuhappoa joutuu iholle, puhdista iho runsaalla vedellä ja saippualla. Hakeudu lääkäriin.
- Käytä akkua -10–40 °C:n lämpötilassa.
- Älä pese akkua tai akkulatoria vedellä. Katso *Akun ja akkukotelon tarkistus sivulla 119*.
- Älä käytä viallista tai vaurioitunutta akkua.
- Säilytä akkuja varastossa kaukana metalliesineistä kuten nauloista, ruuveista ja koroista.
- Pidä akku poissa lasten ulottuvilta.

Akkulatorin turvallisuus



VAROITUS: Lue seuraavat varoitusohjeet ennen koneen käyttämistä.

- Sähköiskun tai oikosulun vaara, jos turvaohjeita ei noudateta.
- Käytä hyväksyttyä maadoitettua pistorasiaa, jossa ei ole vaurioita.
- Älä käytä muita kuin akun mukana toimitettua akkulatoria. Käytä vain Husqvarna QC -latureita Husqvarna BLI -vara-akkujen lataamiseen.
- Älä yritä purkaa akkulatoria.

- Älä käytä viallista tai vaurioitunutta akkulatoria.
- Älä nosta akkulatoria virtajohdosta. Irrota akkulatori pistorasiasta vetämällä pistoke ulos. Älä vedä virtajohdosta.
- Pidä kaikki kaapelit ja jatkojohdot poissa veden, öljyn ja terävien reunojen ulottuvilta. Pidä huolta, ettei kaapeli jää ovien, aitojen tai muiden vastaavien esineiden väliin.
- Älä käytä akkulatoria herkästi syttyvien materiaalien tai syöpymistä aiheuttavien materiaalien lähellä. Varmista, että akkulatoria ei ole peitetty. Jos havaitset savua tai tulta, irrota akkulatorin pistoke pistorasiasta.
- Lataa akku vain sisätiloissa poissa auringonvalosta ja paikassa, jossa on hyvä ilmanvaihto. Älä lataa akkua ulkona. Älä lataa akkua märissä olosuhteissa.
- Käytä akkulatoria vain lämpötilan ollessa 5...40 °C (41...104 °F). Käytä laturia kuivassa ja pölyttömässä ympäristössä, jossa on hyvä ilmanvaihto.
- Älä aseta esineitä akkulatorin jäähdytysaukkoihin.
- Älä liitä akkulatorin liittimiä metalliesineisiin, sillä tämä voi aiheuttaa akkulatorin oikosulun.
- Käytä hyväksytyjä ja ehjiä pistorasioita.

Turvaohjeet huoltoa varten



VAROITUS: Lue seuraavat varoitusohjeet ennen laitteen huoltamista.

- Irrota akku ennen laitteen huoltoa, muita tarkistuksia tai kokoamista.
- Käyttäjän on huolehdittava ainoastaan tässä käyttöohjekirjassa kuvatuista korjaus- ja huoltotoimista. Anna huoltoliikkeen tehdä suuremmat korjaus- ja huoltotoimet.
- Älä pese akkua tai akkulatoria vedellä. Vahvat pesuaineet voivat vaurioittaa muovia.
- Laitteen huoltamatta jättäminen lyhentää sen käyttöikää ja lisää onnettomuusriskiä.
- Laitteen huolto- ja korjaustyöt, erityisesti laitteen turvalaitteille tehtävät työt, vaativat erityiskoulutusta. Jos kaikkia käyttöohjekirjassa lueteltuja tarkistuksia ei huollon jälkeen voida suorittaa hyväksytysti, vie laite huoltoliikkeeseen. Siellä laitteesi huolletaan ja korjataan ammattimaisesti.
- Käytä vain alkuperäisiä varaosia.

Terälaitteiden turvaohjeet



VAROITUS: Lue seuraavat varoitusohjeet ennen koneen käyttämistä.

- Käytä ainoastaan suositeltuja terälevyn ja teräketjun yhdistelmiä ja viilausvarusteita. Katso ohjeet kohdasta *Tarvikkeet sivulla 124*.

- Käytä suojakäsineitä, kun käytät tai huollat teräketjua. Myös liikkumaton teräketju voi aiheuttaa vahinkoja.
- Huolehdi leikkuuhammastuksen oikeasta teroituksesta. Noudata ohjeita ja käytä suositeltua viilanohjainta. Vaurioitunut tai väärin teroitettu teräketju lisää onnettomuusvaaraa. (Kuva 43)
- Pidä syvyyden säätö oikeana. Noudata ohjeita ja käytä suositeltua syvyyden säätöasetusta. Liian suuri syvyyden säätöasetus lisää takapotkun vaaraa. (Kuva 44)
- Varmista, että teräketju on oikein kiristetty. Jos teräketju ei ole kireällä terälevyvä vasten, teräketju voi irrota. Teräketjun väärä kireys lisää terälevyn, teräketjun ja ketjun vetopyörän kulumista. Katso *Teräketjun kiristäminen sivulla 121.* (Kuva 45)
- Huolla terälaitteet säännöllisesti ja voitele ne asianmukaisesti. Jos teräketjua ei ole voideltu kunnolla, terälevyn, teräketjun ja ketjun vetopyörän kulumisvaara kasvaa. (Kuva 46)

Asentaminen

Johdanto



VAROITUS: Lue ja sisäistä turvallisuutta käsittelevä luku ennen laitteen asentamista.

Terälevyn ja teräketjun asennus



VAROITUS: Irrota aina akku ennen asentamista tai laitteen huoltamista.

1. Vapauta ketjujarru. (Kuva 47)
2. Avaa nuppia ja irrota vetopyörän suoja (ketjujarru) ja teräsuoja kuljetusta varten (A). (Kuva 48)
3. Aseta terälevy terälevyn pulttien päälle. Ohjaa terälevy aivan takimmaiseen asentoon. Nosta teräketju ketjupyörän päälle ja aseta se terälevyn ohjausuraan. Aloita terälevyn yläreunasta. (Kuva 49)

4. Varmista, että hammaslenkkien teräsarmat ovat eteenpäin terälevyn yläpuolella.
5. Aseta vetopyörän suoja ja ohjaa ketjun kireyden säätimen tappi terälevyn loveen.
6. Varmista, että teräketjun vetolenkit asettuvat oikein ketjupyörään.
7. Tarkista, että teräketju on asetettu oikein terälevyn ohjausuraan.
8. Kiristä teräketju. Katso ohjeet kohdasta *Teräketjun kiristäminen sivulla 121.*

Kuorituksen asennus

Käännä kuorituksen asennuksessa huoltoliikkeesi puoleen.

Käyttö

Johdanto



VAROITUS: Lue ja sisäistä turvallisuutta käsittelevä luku ennen laitteen käyttöä.

Laitteen toiminnan tarkistaminen

1. Tarkista, että ketjujarru (A) toimii oikein ja ettei se ole vaurioitunut.
2. Tarkista, että takimmainen rystyssuojus (B) on ehjä.
3. Tarkista, että käyttöliipaisin ja käyttöliipaisimen varmistin (C) toimivat oikein ja ovat ehjiä.
4. Tarkista, että näppäimistö (D) toimii oikein.
5. Varmista, ettei kahvoissa (E) ole öljyä.
6. Tarkista, että kaikki osat on kiinnitetty oikein ja että ne ovat ehjät ja paikallaan.
7. Tarkista ketjusieppo (F) ja varmista, että se on kiinnitetty oikein.

8. Tarkista ketjun kireys (G).
9. Lataa akku (H) ja varmista, että se on kiinnitetty laitteeseen oikein.
10. Varmista, että teräketju pysähtyy, kun vapautat käyttöliipaisimen. (Kuva 50)

Teräketjuöljy

Kaikissa Husqvarna-moottorisahamalleissa on automaattinen teräketjunvoitelu. Osaan malleista on saatavana myös öljynvirtauksen säätö.

Ketjuöljyn valinnassa on mietittävä seuraavia asioita: (Kuva 51)

- Öljysäiliössä oleva öljy riittää noin kolmeen akun latauskertaan. Tämä pätee ainoastaan oikeaa ketjuöljyä käytettäessä. Jos ketjuöljy on liian ohutta, se ei riitä niin pitkään.
- Ketjuöljyn on kiinnityttävä kunnolla teräketjuun ja säilytettävä juoksevuutensa niin kesäkuumalla kuin talvipakkasellakin.

- Käytä ilman lämpötilaan sopivaa öljytyyppiä (oikea viskositeetti). Jos lämpötila on alle 0 °C (32 °F), osa öljyistä muuttuu liian paksuksi. Tämä voi aiheuttaa öljypumpun ylikuormittamisen ja pumpun osien vaurioitumisen.
- Käytä suositeltua terävarustusta. Liian pitkät terälevyt kuluttaa enemmän ketjuöljyä.
- Kysy lisää öljyn valinnasta omalta huoltoliikkeeltäsi.



VAROITUS: Älä käytä jätteöljyä! Jätteöljy on vaarallista käyttäjälle ja ympäristölle. Lisäksi jätteöljy vaurioittaa öljypumpua, terälevyä ja teräketjua.



VAROITUS: Terälaitteen puutteellinen voitelu saattaa aiheuttaa teräketjun katkeamisen. Tämä voi aiheuttaa käyttäjälle vakavia vahinkoja tai kuoleman.



HUOMAUTUS: Jos käytät kasvipojhaista ketjuöljyä, puhdista terälevyn ja teräketjun ohjausurat ennen pitkäaikaissäilytystä. Muussa tapauksessa teräketju saattaa hapettua, jolloin teräketju jäykistyy ja terälevyn kärkipyörä tukkeutuu.

Yleisiä kysymyksiä takapotkusta

- **Voinko kytkeä ketjujarrun aina käsin takapotkun yhteydessä?**

Ei. Takapotkusuojuksen työntäminen eteenpäin edellyttää jonkin verran voimaa. Jos et käytä riittävästi voimaa, ketjujarru ei kytkeydy. Sinun on myös pidettävä laitteesta kiinni kaksin käsin työskentelyn aikana. Jos takapotku tapahtuu, ketjujarru ei välttämättä pysäytä teräketjua ennen kuin se osuu sinuun. Joissakin asennoissa et edes pysty koskemaan takapotkusuojukseen ketjujarrun kytkemistä varten.

- **Kytkekö automaattinen pysäytystoiminto aina ketjujarrun takapotkun yhteydessä?**

Ei. Ketjujarrun on ensinnäkin toimittava oikein. Katso ketjujarrun tarkistusta koskevat ohjeet kohdasta *Huolto sivulla 118*. Suosittelemme tämän tarkistuksen tekemistä aina ennen laitteen käyttöä. Takapotkun on lisäksi oltava riittävän voimakas, jotta se kytkee ketjujarrun. Jos ketjujarru on liian herkkä, se voi kytkeytyä rajussa käytössä.

- **Suojaako ketjujarru aina takapotkun aiheuttamilta vahingoilta?**

Ei. Jotta ketjujarru suojaisi, sen on toimittava oikein. Ketjujarrun on lisäksi oltava kytkettyinä takapotkun sattuessa, jotta se pysäyttää teräketjun. Jos olet terälevyn lähellä, ketjujarru ei välttämättä ehdi pysäyttämään teräketjua ennen kuin se osuu sinuun.



VAROITUS: Ainoastaan oma toimintasi ja oikeat työskentelytekniikat voivat estää takapotkuja.

Akkulaturin kytkeminen

1. Kytke akkulaturi tyyppikilven mukaiseen verkkovirtaan ja taajuuteen.
2. Aseta pistoke maadoitettuun pistorasiaan.

Huomautus: Akku ei lataudu, jos sen lämpötila on yli 50 °C / 122 °F. Jos lämpötila on yli 50 °C / 122 °F, akkulaturi jäähdyttää akkua.

Akun lataaminen

Huomautus: Lataa akku, jos sitä käytetään ensimmäisen kerran. Uuden akun varaus on vain 30 %.

1. Kytke akku akkulaturiin. (Kuva 52)
2. Varmista, että laturin vihreä latausvalo syttyy. Se kertoo, että akku on oikein kiinni akkulaturissa. (Kuva 53)
3. Kun akun kaikki LED-merkkivalot syttyvät, akku on ladattu täyteen. (Kuva 54)
4. Irrota akkulaturi pistorasiasta vetämällä pistoketta. Älä vedä kaapelista.
5. Irrota akku akkulaturista.

Huomautus: Katso lisätietoja akun ja akkulaturin käyttöohjeista.

Laitteen käynnistäminen

1. Tarkista käyttöliipaisin ja sen varmistin. Katso *Käyttöliipaisimen varmistimen tarkistaminen sivulla 119*.
2. Kytke ketjujarru työntämällä takapotkusuojusta eteenpäin. (Kuva 38)
3. Aseta akku akun pidikkeeseen. (Kuva 55)
4. Paina akun alaosaa, kunnes kuulet naksahduksen.



HUOMAUTUS: Jos et saa akkua helposti akun pidikkeeseen, sitä ei ole kiinnitetty kunnolla akun pidikkeeseen.

(Kuva 56)

5. Paina käynnistys-/pysäytyspainiketta ja pidä se painettuna, kunnes vihreä merkkivalo syttyy. (Kuva 57)

SavE-toiminnon käyttäminen

Tässä laitteessa on virransäästötoiminto, SavE. SavE-toiminto hidastaa ketjun nopeutta ja takaa pisimmän mahdollisen käyttöajan yhdellä akun latauksella.

Huomautus: SavE-toiminto ei vähennä laitteen leikkuutehoa.

1. Paina näppäimistön SavE-painiketta.
2. Varmista, että vihreä merkkivalo syttyy.
3. Sammuta toiminto painamalla SavE-painiketta uudelleen. Vihreä merkkivalo sammuu. (Kuva 58)

Laitteen pysäyttäminen

1. Paina ja pidä näppäimistön käynnistys-/pysäytyspainiketta painettuna, kunnes vihreä merkkivalo sammuu. (Kuva 57)
2. Vedä akku ulos ja irrota se akun pidikkeestä painamalla akun vapautuspainikkeita. (Kuva 59)



VAROITUS: Irrota akku, kun et käytä laitetta tai näe sitä kunnolla. Näin estetään laitteen tahaton käynnistäminen.

Tietoa takapotkusta



VAROITUS: Takapotku voi aiheuttaa käyttäjälle tai sivullisille vakavia vahinkoja tai kuoleman. Vaaran pienentämiseksi sinun on tunnettava takapotkun syyt ja keinot niiden ehkäisemiseksi.

Takapotku tapahtuu silloin, kun terälevyn takapotkusektori osuu johonkin. Takapotku voi olla salamannopea ja hyvin voimakas, jolloin laite paiskautuu käyttäjän suuntaan. (Kuva 60)

Takapotku suuntautuu aina terälevyn terätason suuntaan. Yleensä laite paiskautuu käyttäjää vasten, mutta se voi lennähtää myös toiseen suuntaan. Liikkeen suunta riippuu siitä, miten laitetta käytetään takapotkun sattuessa. (Kuva 61)

Takapotku voi tapahtua vain silloin, kun terälevyn takapotkusektori osuu johonkin. Älä anna takapotkusektorin osua mihinkään. (Kuva 60)

Pienempi terälevyn kärki tarkoittaa vähemmän voimakasta takapotkua.

Voit vähentää takapotkun vaikutuksia käyttämällä vähäisen takapotkun teräketjua. Älä anna takapotkusektorin osua mihinkään.



VAROITUS: Mikään saha ei voi estää takapotkua täysin. Noudata aina ohjeita.

Katkontatekniikan käyttäminen



VAROITUS: Käytä täyttä tehoa sahaukseen ja laske nopeus joutokäyntiin jokaisen sahauksen jälkeen.



HUOMAUTUS: Älä anna moottorin käydä liian kauan ilman kuormitusta. Se voi vaurioittaa moottoria.

1. Aseta puunrunko sahapukille tai juoksummelle. (Kuva 62)



VAROITUS: Älä sahaa pinottuja puunrunkoja. Tämä lisää takapotkun vaaraa ja saattaa johtaa vakaviin vahinkoihin tai kuolemaan.

2. Siirrä katkaistut kappaleet pois, jotta työalue pysyy turvallisena.



VAROITUS: Työalueella olevat katkaistut kappaleet saattavat aiheuttaa takapotkun vaaran ja suistaa sinut tasapainosta.

Puunrunгон sahaaminen maassa

1. Sahaa puunrunko poikki vetävällä ketjulla. Käytä laitetta täydellä teholla mutta varaudu äkillisiin vahinkoihin. (Kuva 63)



VAROITUS: Varmista, ettei teräketju pääse osumaan maahan sahauksen päätteeksi.

2. Sahaa noin $\frac{3}{4}$ puunrunгон läpimitasta ja lopeta. Pyöräytä puunrunkoa ja sahaa vastakkaiselta puolelta. (Kuva 64)

Puunrunгон sahaaminen toisen pään ollessa tuettuna



VAROITUS: Varmista, ettei puunrunko halkea sahaamisen aikana. Noudata alla annettuja ohjeita.

(Kuva 65)

1. Sahaa puunrunkoa työntävällä ketjulla noin $\frac{1}{4}$ puunrunгон läpimitasta.
2. Sahaa puunrunkoa vetävällä ketjulla, kunnes sahaukset kohtaavat. (Kuva 66)

Puunrunгон sahaaminen molempien päiden ollessa tuettuina



VAROITUS: Varmista, ettei teräketju joutu puristuksiin puunrunkoon sahaamisen aikana. Noudata alla annettuja ohjeita.

(Kuva 67)

1. Sahaa puunrunkoa vetävällä ketjulla noin $\frac{1}{4}$ puunrunгон läpimitasta.

2. Viimeistele sahaus sahaamalla jäljelle jäänyttä rungonosaa työntävällä ketjulla. (Kuva 68)



VAROITUS: Pysäytä moottori, jos teräketju jää kiinni runkoon. Avaa sahausuraa vääntöraudalla ja irrota laite. Älä yritä nykäistä laitetta irti käsin. Laitteen äkillinen irtoaminen saattaa aiheuttaa vahinkoja.

Karsintatekniikan käyttäminen

Huomautus: Käytä paksujen oksien sahaamiseen katkontatekniikkaa. Katso *Katkontatekniikan käyttäminen sivulla 115*.



VAROITUS: Karsintatekniikan käyttöön liittyy suuri onnettomuusvaara. Lisätietoja takapotkun estämisestä on kohdassa *Tietoa takapotkusta sivulla 115*.



VAROITUS: Saha oksat yksi kerrallaan. Ole varovainen pieniä oksia katkoessasi äläkä sahaa pensaita tai monia pikkuoksia samalla kertaa. Pienet oksat voivat tarttua kiinni teräketjuun ja estää laitteen turvallisen käytön.

Huomautus: Katko oksat tarvittaessa osissa. (Kuva 69)

- Poista oksat rungon oikealta puolelta.
 - Pidä terälevy aina rungon oikealla puolella ja pidä laitteen runko puunrunkoa vasten.
 - Valitse oksan jännitystä vastaava sahaustekniikka. (Kuva 70)



VAROITUS: Jos olet epävarma siitä, miten oksa leikataan, kysy ennen työn jatkamista neuvoa pätevältä moottorisahan käyttäjältä.

- Poista oksat rungon yläosasta.
 - Pidä laite puunrunkoa vasten ja anna terälevyn liikkua runkoa pitkin.
 - Sahaa työntävällä teräketjulla. (Kuva 71)
- Poista oksat rungon vasemmalta puolelta.
 - Valitse oksan jännitystä vastaava sahaustekniikka. (Kuva 72)



VAROITUS: Jos olet epävarma siitä, miten oksa leikataan, kysy ennen työn jatkamista neuvoa pätevältä moottorisahan käyttäjältä.

Katso jännityksessä olevien oksien sahausohjeet kohdasta *Jännityksessä olevien puiden ja oksien sahaus sivulla 117*.

Puunkaatotekniikan käyttäminen



VAROITUS: Puun kaataminen edellyttää aikaisempaa kokemusta. Jos mahdollista, osallistu moottorisahan käyttökoulutukseen. Kysy lisätietoja kokeneelta käyttäjältä.

Turvallisen välimatkan säilyttäminen

- Varmista, että sivulliset pysyvät turvallisen välimatkan eli vähintään 2,5 puun mitan päässä. (Kuva 73)
- Varmista vielä ennen kaatoa ja sen aikana, että tällä vaaravyöhykkeellä ei ole ketään. (Kuva 74)

Kaatosuunnan laskeminen

- Selvitä, mihin suuntaan puun tulee kaatua. Tavoitteena on kaataa puu sellaiseen paikkaan, jossa pystyt helposti karsimaan puun ja sahaamaan sen osiin. On ehdottoman tärkeää, että seisot tukevassa asennossa ja pystyt liikkumaan turvallisesti.



VAROITUS: Jos puun kaataminen sen luonnolliseen kaatosuuntaan on vaarallista tai mahdotonta, kaada puu toiseen suuntaan.

- Selvitä puun luonnollinen kaatosuunta. Huomioi esimerkiksi puun kallistuminen tai taipuminen, tuulen suunta, oksien sijainti ja lumen paino.
- Tarkista, onko puun ympärillä muiden puiden, voimalinjojen, teiden ja/tai talojen kaltaisia esteitä.
- Tarkista, onko rungossa vaurioita tai lahoja kohtia.



VAROITUS: Rungon lahot kohdat saattavat aiheuttaa puun kaatumisen jo ennen sahaamisen päättymistä.

- Varmista, että puussa ei ole vahingoittuneita tai kuolleita oksia, jotka saattavat katketa ja osua sinuun kaatumisen aikana.
- Älä anna puun kaatua toista pystyssä olevaa puuta päin. Juuttuneen puun irrottaminen on erittäin vaarallista, ja siihen liittyy suuri onnettomuusvaara. Katso *Juuttuneen puun irrottaminen sivulla 117*. (Kuva 75)



VAROITUS: Nosta kuulosuojaimet pois korvilta heti sahausken jälkeen kriittisen kaatovaiheen aikana, jotta kuulet äänet ja varoitukset.

Alaoksien karsinta ja perääntymistä

Katkaise kaikki oksat hartialinjan korkeudelta ja sen alapuolelta.

1. Sahaa vetävällä teräketjulla ylhäältä alaspäin. Varmista, että puu on laitteen ja kehosi välissä. (Kuva 76)
2. Raivaa puun ympärillä työskentelyalueella oleva aluskasvillisuus pois. Poista työskentelyalueelta kaikki irti sahattu materiaali.
3. Tarkista, onko alueella kivien, oksien ja kuoppien kaltaisia esteitä. Sinulla on oltava esteetön perääntymistie, kun puu alkaa kaatua. Perääntymistie on tehtävä noin 135 astetta takaviistoon puun suunniteltuun kaatosuuntaan nähden.

1. Vaara-alue
2. Perääntymistie
3. Kaatosuunta

(Kuva 77)

Puun kaataminen

Husqvarna suosittelee tekemään puuta kaadettaessa kaatolovia ja käyttämään pitokulmamenetelmää. Pitokulmamenetelmä auttaa tekemään oikeanlaisen pitopuun ja ohjaamaan kaatosuuntaa.



VAROITUS: Älä kaada puita, joiden läpimitta on yli kaksi kertaa terälevyn pituutta suurempi. Tällaiseen työhön vaaditaan erityiskoulutus.

Kaatolovien sahaaminen

1. Sahaa kaatolovet. Sahaa kaatolovet niin, että niiden syvyys on 1/4 puun halkaisijasta. Ylä- ja alasahauksen välisen kulman on oltava 45°.
 - a) Tee ensin yläsahaus. Kohdista laitteessa oleva kaatosuuntamerkki (A) puun kaatosuuntaan (B). Pysy laitteen takana siten, että puu on oikealla puolella. Sahaa vetävällä ketjulla.
 - b) Tee alasahaus. Varmista, että alasahauksen päätepiste on kohdakkain yläsahauksen päätepisteen kanssa. (Kuva 78)
2. Varmista, että kaatolovilinja on täsmälleen vaakatasossa ja juuri oikeassa kulmassa (90°) kaatosuuntaan nähden. Kaatolovilinja kulkee kahden kaatoloven yhtymäkohdan poikki. (Kuva 79)

Kaatosahauksen tekeminen

Huomautus: Kaatosahausta tehdään puun vastakkaiselle puolelle kaatolovista katsottuna.

1. Tee kaatosahaus noin 3–5 cm (1,5–2 tuumaa) kaatolovien pohjatason yläpuolelle. Sahaus on tehtävä ehdottomasti vaakasuoraan. (Kuva 80)

2. Jos käytät kuoritukea, aseta se pitopuun taakse.
3. Sahaa vetävällä ketjulla täydellä teholla ja ohjaa teräketju/terälevy hitaasti puuhun. Varmista, että puu ei kaadu väärään suuntaan.
4. Kun sahaus on riittävän syvä, työnnä sahauskeino kiila tai kaatorauta. (Kuva 81)
5. Päätä kaatosahaus samansuuntaisesti kaatolovilinjan nähden. Varmista, että niiden väliin jää vähintään 1/10 puunrunnon halkaisijasta. Läpisaahaamatonta rungossa osaa kutsutaan pitopuuksi. Pitopuu määrittää puun kaatosuunnan. (Kuva 82)



VAROITUS: Et pysty vaikuttamaan kaatosuuntaan, jos pitopuuta ei ole tai jos se on liian ohut. Näin käy myös silloin, jos et ole tehnyt kaatolovia ja kaatosahausta oikein.

(Kuva 83)

6. Tällöin puu kaatuu omalla painollaan tai kiilan tai kaatoraudan avulla. (Kuva 84)

Huomautus: Valitse terälevy, joka on puunrunnon läpimittaa pidempi. Silloin sinun on helpompi tehdä kaatosahaus ja kaatolovet yhdellä sahausella. Tarkista laitteelle suositellut terälevyn pituudet kohdasta *Tarvikkeet sivulla 124*.

(Kuva 85)

Juuttuneen puun irrottaminen



VAROITUS: Juuttuneen puun irrottaminen on erittäin vaarallista, ja siihen liittyy suuri onnettomuusvaara. Pysy poissa vaara-alueelta äläkä yritä kaataa juuttunutta puuta.

(Kuva 86)

Turvallisin tapa on käyttää yhtä seuraavista vinsseistä:

- Traktoriin asennettu (Kuva 87)
- Siirrettävä (Kuva 88)

Jännityksessä olevien puiden ja oksien sahaus

1. Selvitä, kumpi puun tai oksan puoli on jännityksessä.
2. Selvitä, missä katkaisupiste on. (Kuva 89)
3. Selvitä, mikä on turvallisin keino vapauttaa jännitys.

Huomautus: Joissakin tilanteissa ainoa turvallinen keino on käyttää vinssiä laitteen sijaan.

4. Pysy sellaisessa paikassa, että puu tai oksa ei pääse osumaan sinuun jännityksen vapautuessa. (Kuva 90)

5. Sahaa niin syväälle ja tee niin monta sahausviiltoa, että jännitys vapautuu. Sahaa katkaisupisteen kohdalta tai läheltä sitä. Katkaise puu tai oksa katkaisupisteestä. (Kuva 91)



VAROITUS: Älä koskaan sahaa jännityksessä olevaa puuta tai oksaa kokonaan poikki.



VAROITUS: Ole varovainen jännityksessä olevaa puuta sahatessasi.

Puu saattaa liikahtaa äkillisesti ennen tai jälkeen sen sahaamista. Voit saada vakavia vahinkoja, jos olet väärässä paikassa tai olet sahanut väärin.

6. Jos sinun on sahattava puu/oksa poikki, tee kaksi tai kolme 5 cm:n (2 tuuman) syvyistä sahausviiltoa 2,5 cm:n (tuuman) päähän toisistaan. (Kuva 92)
7. Jatka sahaamista syvemmälle puuhun, kunnes puu/oksa vääntyy ja jännitys vapautuu. (Kuva 93)
8. Kun jännitys on vapautunut, saha puu/oksa poikki vääntymän vastakkaiselta puolelta.

Huolto

Johdanto



VAROITUS: Lue ja sisäistä turvallisuutta käsittelevä luku ennen laitteen huoltamista.

Huoltokaavio



VAROITUS: Irrota akku, ennen kuin alat tehdä huoltotoimia.

Alla on luettelo laitteelle tehtävistä huoltotoimista. Katso lisäohjeita osiosta *Huolto sivulla 118*.

Huolto	Aina ennen käyttöä	Viikoittain	Kuukausittain
Puhdista laitteen ulko-osat.	X		
Varmista, että käyttöliipaisin ja sen varmistin toimivat asianmukaisesti turvallisuuksi ajatellen.	X		
Puhdista ketjujarru ja tarkista, että se toimii turvallisesti. Varmista, että ketjusieppo ei ole vaurioitunut. Vaihda tarvittaessa.	X		
Käännä terälevy, jotta se kuluu tasaisemmin. Varmista, että terälevyn voitelureikä ei ole tukossa. Puhdista ketjun ohjausura.	X		
Varmista, että leikkaimessa ja leikkaimen suojuksessa ei ole halkeamia tai muita vaurioita. Vaihda leikkain tai leikkaimen suojuksen, jos niissä on halkeamia tai jos niihin on kohdistunut iskuja.	X		
Varmista, että terälevy ja teräketju saavat tarpeeksi öljyä.	X		
Tarkista teräketju. Tarkista, että teräketjussa ei ole halkeamia ja että se ei ole jäykkä tai epätavallisen kulunut. Vaihda tarvittaessa.	X		
Teroita teräketju. Tarkista sen kiristys ja kunto. Tarkista vetopyörä kulumien varalta ja vaihda tarvittaessa.	X		
Puhdista laitteen ilmanottoaukko.	X		
Varmista, että kaikki ruuvit ja mutterit on kiristetty.	X		
Tarkista, että näppäimistö toimii oikein ja että se on ehjä.	X		
Viilaa jäysteet pois terälevyn sivuilta.		X	
Tarkista akun ja laitteen väliset kytkennät. Tarkista akun ja akkulaturin välinen kytkentä.			X

Huolto	Aina ennen käyttöä	Viikoittain	Kuukausittain
Tyhjennä ja puhdista öljysäiliö.			X
Puhalla tuote ja akun jäähdytysaukot varovasti puhtaiksi paineilmalla.			X

Laitteen turvalaitteiden huolto ja tarkistukset

Takapotkusuojuksen tarkistaminen

Tarkista takapotkusuojus ja automaattinen pysäytystoiminto säännöllisesti.

1. Tarkista, että takapotkusuojus on ehjä eikä siinä ole halkeamien kaltaisia vikoja. (Kuva 94)
2. Varmista, että takapotkusuojus pääsee vapaasti liikkumaan ja että se on kiinnitetty tukevasti laitteeseen. (Kuva 95)
3. Pidä moottori sammutettuna ja nosta laite kannon päälle tai muulle tukevalle alustalle.
4. Pidä takakahvasta kiinni ja päästä irti etukahvasta. Anna laitteen pudota kannolle. (Kuva 96)
5. Varmista, että ketjujarru kytkeytyy terälevyn osuessa kanttoon.

Jarrun tarkistaminen

1. Aseta laite tasaiselle alustalle ja käynnistä se. Katso *Johdanto sivulla 113*.



VAROITUS: Varmista, että teräketju ei pääse osumaan maahan tai mihinkään esineeseen.

2. Kierrä sormet ja peukalot kahvojen ympärille ja pidä laitteesta kunnolla kiinni. (Kuva 37)
3. Käytä laitetta täydellä teholla ja käännä sitten vasen ranteesi takapotkusuojusta vasten, jotta ketjujarru kytkeytyy. Teräketjun on pysähdyttävä välittömästi. (Kuva 97)



VAROITUS: Älä päästä irti etukahvasta!

Käyttöliipaisimen varmistimen tarkistaminen

1. Tarkista, että käyttöliipaisin ja sen varmistin liikkuvat vapaasti ja palautusjousi toimii oikein. (Kuva 98)
2. Paina käyttöliipaisimen varmistinta ja tarkista, että se palautuu lähtöasentoonsa vapauttamisen jälkeen. (Kuva 99)
3. Tarkista, että käyttöliipaisin on lukittu joutokäyntiasentoon, kun käyttöliipaisimen varmistin vapautetaan. (Kuva 100)
4. Käynnistä laite ja anna täyskaasu.

5. Vapauta käyttöliipaisin ja tarkista, että teräketju pysähtyy ja jää paikoilleen. Jos ketju pyörii, kun turvaliipaisin on joutokäyntiasennossa, ota yhteys huoltoliikkeeseen.

Ketjusiepon tarkistaminen

1. Varmista, ettei ketjusiepon ole vaurioita.
2. Varmista, että ketjusieppo on tukevasti kiinni laitteen rungossa. (Kuva 41)

Näppäimistön tarkistaminen

1. Käynnistä laite. Katso *Käyttö sivulla 113*
2. Paina käynnistys-/pysäytyspainiketta uudelleen.
3. Varmista, että laite pysähtyy, kun pidät painiketta painettuna. Vihreä merkkivalo sammuu. (Kuva 57)

Akun ja akkukotelon tarkistus

1. Puhdista akku ja akkukotelo pehmeällä harjalla. (Kuva 101)
2. Varmista, että kaikki jäähdytysaukot ja akkuliittimet ovat puhtaat.
3. Tarkista, että akku ei ole vaurioitunut eikä siinä ole halkeamien kaltaisia vikoja. (Kuva 102)

Akkulaturin tarkistus

1. Varmista, että akkulaturi ja virtajohto eivät ole vahingoittuneet. Tarkista, että osissa ei ole halkeamia ja muita vikoja.

Jäähdytysjärjestelmän puhdistus

Laitteessa on jäähdytysjärjestelmä, joka pitää käyttölämpötilan mahdollisimman alhaisena.

Jäähdytysjärjestelmään kuuluvat laitteen vasemmalla puolella oleva ilmanottoaukko sekä moottorin tuuletin.

1. Puhdista jäähdytysjärjestelmä harjalla viikoittain tai tarvittaessa useammin. (Kuva 103)
2. Varmista, ettei jäähdytysjärjestelmä ole likainen tai tukossa.



HUOMAUTUS: Saha voi ylikuumentua likaisen tai tukkeutuneen jäähdytysjärjestelmän takia. Tämä vaurioittaa mäntää ja sylinteriä.

Teräketjun teroittaminen

Terälevy ja teräketju koskevat tiedot



VAROITUS: Käytä suojakäsineitä, kun käytät tai huollat teräketjua. Myös liikkumaton teräketju voi aiheuttaa vahinkoja.

Vaihdakaan kulunut tai vahingoittunut terälevy tai teräketju suositeltiin terälevyn ja teräketjun yhdistelmään. Suositukset antaa Husqvarna. Tämä on välttämätöntä laitteen turvatoimintojen säilyttämiseksi. Kohdassa *Tarvikkeet sivulla 124* on lueteltu varaosiksi suosittelemamme terälevy- ja teräketjuyhdistelmät.

- Terälevyn pituus, tuumaa/cm. Terälevyn tiedot löytyvät yleensä terälevyn takapäältä. (Kuva 104)
- Kärkipyörän hampaiden lukumäärä (T). (Kuva 105)
- Teräketjun jako, tuumaa. Terälevyn kärkipyörän hammastuksen ja vetopyörän etäisyyden on vastattava teräketjun vetolenkkien välistä etäisyyttä. (Kuva 106)
- Vetolenkkien lukumäärä (kpl). Terälevyn tyyppi määrää vetolenkkien lukumäärän. (Kuva 107)
- Terälevyn ohjausuran leveys, tuumaa/mm. Terälevyn ohjausuran leveyden on oltava sama kuin ketjun vetolenkkien leveys. (Kuva 108)
- Teräketjun öljyreikä ja ketjunkiiristystapin reikä. Ohjausuran on oltava kohdakkain laitteen kanssa. (Kuva 109)
- Vetolenkin leveys, mm/tuumaa. (Kuva 110)

Yleistä tietoa leikkainten teroituksesta

Älä käytä tylsää teräketjua. Jos teräketju on tylsä, työnnä terälevy voimakkaammin puun läpi. Jos teräketju on erittäin tylsä, sahauskessa syntyy vain sahanpurua eikä puulastuja.

Terävä teräketju pureutuu kunnolla puuhun, ja sahatessa syntyy pitkiä ja paksuja puulastuja.

Leikkuuhammas (A) ja syvyydensäätöhammas (B) muodostavat teräketjun leikkaavan osan eli terän. Näiden välinen korkeusero määrittää sahausryvyyden (syvyyssasetuksen). (Kuva 111)

Ota seuraavat asiat huomioon leikkainta teroittaessasi:

- Viilauskulma. (Kuva 112)
- Leikkuukulma. (Kuva 113)
- Viilan asento. (Kuva 114)
- Pyöröviilan halkaisija. (Kuva 115)

Teräketjua ei ole helppo teroittaa oikein ilman oikeita apuvälineitä. Käytä Husqvarna-viilaohjainta. Näin pystyt varmistamaan parhaan mahdollisen sahaustehon ja takapotkun vaara pysyy vähäisenä.



VAROITUS: Takapotkun voima kasvaa merkittävästi, jos teroitusohjeita ei noudateta.

Huomautus: Katso lisätietoja teräketjun teroittamisesta kohdasta *Leikkainten teroittaminen sivulla 120*.

Leikkainten teroittaminen

1. Käytä pyöröviilaa ja viilanojainta leikkuuhampaiden teroitukseen. (Kuva 116)

Huomautus: Katso kohdasta *Tarvikkeet sivulla 124*, mitä viilaa ja ohjainta Husqvarna suosittelee käyttämällesi teräketjulle.

2. Aseta viilanojain asianmukaisesti leikkaimen päälle. Katso tarkemmat ohjeet viilanojaimen mukana toimitetuista ohjeista.
3. Liikuta viilaa leikkuuhampaiden sisäpuolelta ulkopuolelle. Kevennä otetta paluuvendon ajaksi. (Kuva 117)
4. Viilaa kaikki leikkuuhampaat yhdeltä puolelta.
5. Käännä laite toisin päin ja viilaa hampaat toiselta puolelta.
6. Varmista, että kaikki leikkuuhampaat ovat samanpituisia.

Yleistä tietoa syvyyssasetuksen muokkaamisesta

Syvyyssasetus (C) laskee leikkuuhammasta (A) teroitettaessa. Jotta sahausteho säilyy parhaana mahdollisena, viilaa säätöhammasta (B) niin, että suositeltu syvyyssasetus saavutetaan. Katso ohjeet teräketjun oikean syvyyssasetuksen saavuttamiseen kohdasta *Tarvikkeet sivulla 124*.

(Kuva 118)



VAROITUS: Liian suuri syvyyssasetus lisää teräketjun takapotkualltiutta!

Syvyyssasetuksen muokkaaminen

Katso ohjeet kohdasta *Leikkainten teroittaminen sivulla 120* ennen syvyyden säätöä tai leikkaimien teroittamista. Suosittelemme, että syvyyssasetus säädetään joka kolmannella teräketjun teroituskerralla.

Suosittelomme, että käytät säätämässä viilaohjaintamme, jotta säätöhampaan mitta ja kulma saadaan oikeiksi.

(Kuva 119)

1. Käytä syvyydsasetuksen muokkaamiseen lattaviilaa ja syvyydensääätöyökalua. Käytä säätämiseen ainoastaan Husqvarna-syvyydensääätöyökalua, jotta säätöhampaan mitta ja kulma saadaan oikein.
2. Aseta syvyydensääätöyökalu teräketjun päälle.

Huomautus: Lue tarkemmat käyttöohjeet syvyydensääätöyökalun pakkauksesta.

3. Viilaa lattaviilalla säätöhampaan päältä se osa, joka työntyy syvyydensääätöyökalun yli. (Kuva 120)

Teräketjun kiristäminen



VAROITUS: Väärin kiristetty teräketju saattaa irrota terälevystä ja aiheuttaa vakavan vahingon tai kuoleman.

Mitä enemmän käytät teräketjuja, sitä pitemmäksi se venyy. Teräketjuja on säädettävä säännöllisin väliajoin.

Tarkista ketjun kireys aina kun lisäät teräketjuöljyä.

Huomautus: Uusi teräketju vaatii sisäänajon, jonka aikana teräketjun kireys on tarkistettava useammin.

1. Käännä nuppia ulospäin, kunnes se avautuu. (Kuva 121)
2. Löysää vetopyörän suojusta kääntämällä nuppia vastapäivään. (Kuva 122)
3. Säädä teräketjun kireyttä kääntämällä ketjukireyden säätöpyörää. Teräketjun on oltava kireällä terälevyä vasten. (Kuva 123)

Huomautus: Lisää ketjun kireyttä kääntämällä säätöpyörää alas (+) tai vähennä sitä kääntämällä pyörää ylös (-). Teräketjun kiristys on oikea, kun sitä pystyy kääntämään helposti käsin mutta se on silti tiukasti terälevyä vasten.

4. Kiristä terälevyn nuppia kääntämällä nuppia myötäpäivään. (Kuva 124)
5. Lukitse kireysasetus kääntämällä nappi takaisin alas. (Kuva 125)

Teräketjuvoitelun tarkistaminen

Tarkista teräketjuvoitelu joka kolmannelle akun latauskerralla.

1. Käynnistä laite ja anna sen käydä 3/4 teholla. Pidä terälevyä vaalean pinnan yläpuolella noin 20 senttimetrin päässä.
2. Jos teräketju on oikein voideltu, pinnalla näkyy selkeä öljyvana noin minuutin kuluessa. (Kuva 126)
3. Jos teräketjuja ei ole voideltu oikein, tee seuraavat tarkistukset.

- a) Tarkista terälevyn öljykanava ja varmista, että se ei ole tukkeutunut. Puhdista tarvittaessa. (Kuva 127)
 - b) Tarkista terälevyn sivulla oleva ohjausura ja varmista, että se on puhdas. Puhdista tarvittaessa. (Kuva 128)
 - c) Tarkista, että terälevyn kärkipyörä pääsee vapaasti pyörimään ja että kärkipyörän voitelureikä ei ole tukkeutunut. Puhdista ja voitele tarvittaessa. (Kuva 129)
4. Jos teräketjuvoitelu ei toimi näiden vaiheiden suorittamisen jälkeen, ota yhteyttä huoltoliikkeeseen.

Ketjun vetopyörän huoltaminen

Vetöjärjestelmässä on ketjupyörä.

(Kuva 130)

Huolla ketjun vetopyörä seuraavasti:

1. Tarkista ketjupyörän kuluneisuus säännöllisesti. Vaihda ketjun vetopyörä, jos se on liian kulunut.
2. Vetopyörä on vaihdettava aina teräketjun vaihdon yhteydessä.

Terävarustuksen tarkistaminen

1. Tarkista, että niiteissä tai lenkeissä ei ole halkeamia ja että niittejä ei ole irti. Vaihda tarvittaessa. (Kuva 131)
2. Varmista, että teräketju taipuu helposti. Jos teräketju on jäykkä, vaihda se.
3. Vertaa teräketjuja uuteen teräketjuun ja tarkista, ovatko niitit ja lenkit kuluneet.
4. Vaihda teräketju, kun leikkuuhampan pisin osa on alle 4 mm:n (0,16 in) pituinen. Vaihda myös teräketju, jos leikkaimissa on halkeamia. (Kuva 132)

Terälevyn tarkistaminen

1. Varmista, että öljykanava ei ole tukossa. Puhdista tarvittaessa. (Kuva 127)
2. Tarkista, onko terälevyn reunoilla jäystettä. Poista jäysteet viilalla. (Kuva 133)
3. Puhdista terälevyn ura. (Kuva 128)
4. Tarkista terälevyn ohjausura kulumien varalta. Vaihda terälevy tarvittaessa. (Kuva 134)
5. Tarkista, onko terälevyn kärki karkea tai pahasti kulunut. (Kuva 135)
6. Tarkista, että terälevyn kärkipyörä pääsee pyörimään vapaasti ja että kärkipyörän voitelureikä ei ole tukossa. Puhdista ja voitele tarvittaessa. (Kuva 129)
7. Käännä terälevy päivittäin toisinpäin, jotta sen käyttöikä pitenee. (Kuva 136)

Vianmääritys

Vianmäärityskaavio

Taulukko

Mahdolliset vikakoodit laitteen näppäimistöllä.

LED-näyttö	Mahdolliset viat	Mahdolliset toimenpiteet
Merkkivalo vilkkuu.	Ketjujarru kytketty.	Vedä takapotkusuojasta taakse vapauttaaksesi ketjujarrun.
	Lämpötilavaihtelu.	Anna laitteen jäähtyä.
	Ylikuormitus. Terälaite on juuttunut.	Terälaite on juuttunut. Vapauta terälaite.
	Käyttöliipaisinta ja aktivointipainiketta painetaan samaan aikaan.	Vapauta käyttöliipaisin, jolloin laite aktivoituu.
Vihreä LED vilkkuu.	Matala akun jännite.	Lataa akku.
Varoitusvalo palaa.	Huolto.	Ota yhteys huoltoliikkeeseen.

Taulukko

Akun ja/tai akkulaturin vianmääritys latauksen aikana.

LED-näyttö	Mahdolliset viat	Mahdolliset toimenpiteet
Merkkivalo vilkkuu.	Akku on tyhjentynyt.	Lataa akku.
	Lämpötilavaihtelu.	Käytä akkua -10–40 °C:n (14–104 °F) lämpötilassa.
	Ylijännite.	Tarkista, että verkkojännite vastaa laitteeseen kiinnitetyssä arvokilvessä ilmoitettua jännitettä. Irrota akku akkulaturista.
Varoitusvalo palaa.	Akkukennoston väli liian suuri (1 V).	Ota yhteys huoltoliikkeeseen.

Taulukko

LED-näyttö	Mahdolliset viat	Mahdolliset toimenpiteet
Merkkivalo vilkkuu.	Lämpötilavaihtelu.	Käytä akkua 5–40 °C:n (41–104 °F) lämpötilassa.
Varoitusvalo palaa.		Ota yhteys huoltoliikkeeseen.

Kuljettaminen, säilyttäminen ja hävittäminen

Kuljetus ja säilytys

- Mukana tulleet litiumioniakut ovat vaarallisten aineiden lainsäädännön määräysten mukaisia.
- Pakkausta ja merkintöjä koskevia erityismääräyksiä on noudatettava, myös kolmansien osapuolten tai huoltusijoiden järjestämässä tavarakuljetuksessa.
- Keskustelee erityiskoulutuksen saaneen vaarallisten aineiden asiantuntijan kanssa ennen tuotteen lähettämistä. Noudata kaikkia kansallisia määräyksiä.
- Teippaa paljaat liittimet asettaessasi akun pakettiin. Aseta akku pakettiin tiukasti niin, ettei se pääse liikkumaan.
- Irrota akku varastoinnin tai kuljetuksen ajaksi.
- Aseta akku ja akkulaturi paikkaan, johon kosteus tai pakkanen eivät pääse.
- Älä säilytä akkua paikassa, jossa on staattista sähköä. Älä säilytä akkua metallilaatikossa.
- Säilytä akkua varastossa, jossa lämpötila on 5–25°C ja jossa se ei ole suorassa auringonvalossa.
- Säilytä akkulaturia varastossa, jossa lämpötila on 5–45°C ja jossa se ei ole suorassa auringonvalossa.
- Käytä akkulaturia ainoastaan 5–40 °C:n lämpötiloissa.
- Lataa akku ennen pitkäaikaista säilytystä niin, että sen varaustaso on 30–50 %.

- Säilytä akkua kuivassa ja suljetussa tilassa.
- Pidä akku erillään akkulaturista varastoinnin aikana. Älä anna lasten tai asiaankuulumattomien henkilöiden koskea laitteeseen. Säilytä laitetta lukollisessa tilassa.
- Puhdista laite ja tee täysi huolto ennen pitkäaikaista säilytystä.
- Käytä kuljetussuojusta kuljetuksen ja varastoinnin aikana vaurioiden ja vammojen välttämiseksi.
- Kiinnitä laite hyvin kuljetuksen ajaksi.

Akun, akkulaturin ja laitteen hävittäminen

Alla oleva symboli kertoo, että tuotetta ei saa hävittää kotitalousjätteen mukana. Vie se asianmukaiseen sähkö- ja elektroniikkalaitteiden keräyspisteeseen. Tämä auttaa estämään sekä ympäristö- että henkilövahinkoja.

Saat lisätietoja paikallisviranomaisilta, jätehuolloilta tai jälleenmyyjältäsi.

(Kuva 21)

Huomaus: Symboli on joko tuotteessa tai sen pakkauksessa.

Tekniset tiedot

Tekniset tiedot

	120i
Sarja	CS100EU
Moottori	
Tyyppi	BLDC (harjaton) 36 V
Ominaisuudet	
Virransäästötila	savE
Voitelujärjestelmä	
Öljypumpun tyyppi	Automaattinen
Öljysäiliön tilavuus, litraa	0,20
Paino	
Moottorisaha ilman akkua, terälevyä, teräketjua ja ketjuöljysäiliön ollessa tyhjä, kg	2,95
Melupäästöt ¹³	

¹³ Melupäästö ympäristöön äänentehona (L_{WA}) EY-direktiivin 2000/14/EY mukaisesti mitattuna.

	120i
Äänentehotaso, mitattu dB(A)	98
Äänentehotaso, taattu L _{WA} dB(A)	101
Äänitasot ¹⁴	
Ekvivalentti äänenpainetaso käyttäjän korvan tasalla, dB(A)	88
Tärinätasot ¹⁵	3,8
Teräketju/terälevy	
Suositteltavat terälevypituudet, tuumaa/cm	12/30
Tehokas leikkuupituus, tuumaa/cm	10/26
Vetopyörän tyyppi/hampaiden lkm	Spur/6
Ketjunopeus enintään / (savE), m/s	11,5 (10)

Tarvikkeet

Terälevyn ja teräketjun yhdistelmät

Husqvarna 120i-malliille suositellaan seuraavia terälaitteita:

Terälevy				Teräketju	
Pituus, tuumaa	Teräketjun jako, tuumaa	Säätöhammas, mm	Kärkipyörän hampaiden maks. lkm	Tyyppi	Pituus, vetolenkit (lkm)
12	3/8	1,1	7T	Husqvarna H38	45


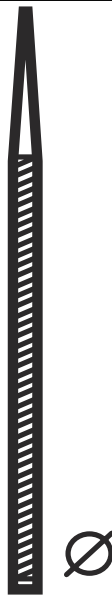
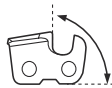
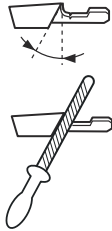

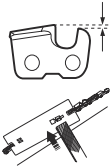
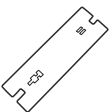

Vilaustarvikkeet ja viilauskulmat

Husqvarna-viilanhajaimen käyttäminen varmistaa oikeat viilauskulmat. Suosittelemme käyttämään teräketjun teroittamisessa aina Husqvarna-viilanhajainta. Osanumerot on annettu alla olevassa taulukossa.

Jos et tiedä laitteessasi olevaa teräketjumallia, pyydä neuvoa huoltoliikkeestä.

¹⁴ Standardin ISO 22868 mukainen ekvivalentti äänenpainetaso lasketaan eri äänenpainetasojen aikapainotteisena energiasummana eri käyttöolosuhteissa. Tyypillinen ekvivalentin äänenpainetason tilastollinen hajonta on 2,5 dB (A):n vakiopoikkeama.

¹⁵ Ilmoitettu tärinätaaso koskee kahvaa, jonka lukemat ovat korkeimmat. Tärinätaason tyypillinen tilastollinen hajonta on 1,5 m/s.

							
38	11/64 tuumaa / 4,5 mm	75°	30°	0°	0,025 tuumaa / 0,65 mm	5056981-03	5795588-01

Hyväksytyt akut

Käytä tässä laitteessa vain Husqvarna alkuperäisiä BLI -akkuja

Laitteeseen hyväksytyt akut

Akku	BLI20		BLI22	
Tyyppi	Litiumioni		Litiumioni	
Akun kapasiteetti, Ah	4,2 (VTC4)	4 (HD2)	4,2 (VTC4)	4,0 (EVE 20P)
Jännite, V	36	36,5	36	36
Paino, kg	1,2	1,2	1,2	1,2

Laitteeseen hyväksytyt akkulaturit

Akkulaturi	QC80
Verkkovirta, V	100–240
Taajuus, Hz	50–60
Teho, W	100

Akkulaturi	QC80
Lähtöjännite, V, tasavirta ampeeria, A	36/2

EY-vaatimustenmukaisuusvakuutus

Husqvarna AB, SE-561 82 Huskvarna, Sweden, puh:
+46-36-146500, vakuuttaa täten, että johdoton
akkutoiminen moottorisaha **Husqvarna 120i (sarja
CS100EU)** alkaen vuoden 2016 sarjanumeroista (vuosi
on ilmoitettu arvokilvessä ennen sarjanumeroa) on
valmistettu noudattaen seuraavia NEUVOSTON
DIREKTIIVEJÄ:

- 17. toukokuuta 2006 annettu konedirektiivi
2006/42/EY.
- 26. helmikuuta 2014 annettu direktiivi **2014/30/EY**
sähkömagneettisesta yhteensopivuudesta.
- 8. kesäkuuta 2011 annettu direktiivi **2011/65/EU**
tiettyjen vaarallisten aineiden käytön rajoittamisesta.
- 8. toukokuuta 2000 annettu direktiivi **2000/14/EY**,
joka koskee melupäästöjä ympäristöön.

Seuraavia standardeja on sovellettu: **EN
60745-1:2009+A11:2010, EN
60745-2-13:2009+A1:2010, EN
55014-1:2006+A1:2009+A2:2011, EN 61000-4-2:2009,
EN 61000-4-3:2006+A1:2008, EN IEC63000:2018.**

Ilmoitettu tarkastuslaitos: TÜV Rheinland LGA Products
GmbH, Tillystrasse 2, D-90431 Nuernberg, Germany,
0197, on suorittanut EY-tyyppitarkastuksen
konedirektiivin (2006/42/EY) artiklan 12 kohdan 3b
mukaisesti.

Sertifikaatin numero on: **BM 50356394 0001**

Toimitettu moottorisaha vastaa EY-tyyppitarkastettua
sahaa.

Katso lisätietoja melupäästöistä osiosta *Tekniset tiedot*
sivulla 123.

Huskvarna, 20181031



Pär Martinsson, kehityspäällikkö (Husqvarna AB:n
valtuutettu ja teknisestä dokumentaatiosta vastaava
edustaja)

Inhalt

Einleitung.....	128	Fehlerbehebung.....	147
Sicherheit.....	129	Transport, Lagerung und Entsorgung.....	148
Montage.....	136	Technische Angaben.....	149
Betrieb.....	137	Zubehör.....	150
Wartung.....	142	EU-Konformitätserklärung.....	152

Einleitung

Beschreibung des Geräts

Dieses Gerät ist ein Motorsägenmodell mit einem elektrischen Motor.

Wir arbeiten laufend daran, Ihre Sicherheit und die Effektivität während des Betriebs zu verbessern. Ihr Servicehändler steht Ihnen gerne für weitere Informationen zur Verfügung.

Produktübersicht

(Abb. 1)

1. Handschutz
2. Tastatur
3. SavE-Taste (Energiespartaste)
4. Warnanzeige
5. Start-/Stopptaste
6. Gashebelsperre
7. Hinterer Handgriff mit Rechtshandschutz
8. Lüftergehäuse
9. Kettenöltank
10. Akkuladegerät
11. Netzkabel
12. Warnanzeige
13. Steckverbinder
14. Bedienungsanleitung
15. Führungsschienenabdeckung
16. Abdeckung des Kettenantriebsrads
17. Kettenspannrolle
18. Knopf
19. Kettenfänger
20. Rindenstütze
21. Umlenkstern
22. Sägekette
23. Führungsschiene
24. Vorderer Handgriff
25. Gashebel
26. Akku
27. Akkuentriegelungstaste
28. Akkuladestatus
29. Taste, Akkuladestatus
30. Warnanzeige

Verwendungszweck

Dieses Produkt dient zum Sägen von Holz.

Hinweis: Der Betrieb des Geräts kann durch nationale Vorschriften eingeschränkt werden.

Symbole auf dem Gerät

- (Abb. 2) Gefahr von schweren oder tödlichen Verletzungen des Bedieners oder anderer Personen. Gehen Sie vorsichtig vor, und verwenden Sie das Gerät ordnungsgemäß.
- (Abb. 3) Lesen Sie die Bedienungsanleitung sorgfältig durch, und machen Sie sich mit den Anweisungen vor der Inbetriebnahme des Geräts vertraut.
- (Abb. 4) Tragen Sie einen zugelassenen Schutzhelm, einen Gehörschutz und eine Schutzbrille.
- (Abb. 5) Dieses Gerät entspricht geltenden EG-Richtlinien.
- (Abb. 6) Umweltbelastende Geräuschemissionen gemäß der entsprechenden europäischen Richtlinie 2000/14/EG und der australischen „Protection of the Environment Operations (Noise Control) Regulation 2017“ („Umweltschutz-/ Lärmschutzbestimmung“) von New South Wales. Daten zu Geräuschemissionen sind auf dem Geräteschild und im Abschnitt „Technische Daten“ angegeben.
- (Abb. 7) Die Motorsäge muss immer mit beiden Händen betrieben werden.
- (Abb. 8) Halten Sie die Motorsäge bei der Anwendung niemals nur mit einer Hand.

- (Abb. 9) Sorgen Sie dafür, dass die Führungsschienen spitze mit keinem Gegenstand in Berührung kommt.
- (Abb. 10) Warnung! Ein Rückschlag kann auftreten, wenn die Führungsschienen spitze einen Gegenstand berührt. Dadurch wird die Führungsschiene in die Richtung des Bedieners geschleudert. Gefahr von schweren oder tödlichen Verletzungen.
- (Abb. 11) Richtung, in welche die Sägekette rotiert und maximale Länge der Führungsschiene.
- (Abb. 12) Kettenbremse, aktiviert (rechts). Kettenbremse, ausgeschaltet (links).
- (Abb. 13) Befüllung mit Sägekettenöl.
- (Abb. 14) Gleichstrom.
- (Abb. 15) Nicht dem Regen aussetzen.
- (Abb. 16) **Umweltkennzeichen** Das Gerät oder die Verpackung des Geräts dürfen nicht über den Hausmüll entsorgt werden. Recyceln

Sie es an einer Recyclingstation für elektrische und elektronische Geräte.

- (Abb. 20) Das Typenschild zeigt die Seriennummer. **JJJJ** ist das Produktionsjahr, **ww** ist die Produktionswoche.

Hinweis: Sonstige Symbole/Aufkleber am Gerät beziehen sich auf Zertifizierungsanforderungen, die in einigen Märkten gelten.

Symbole auf dem Akku und/oder auf dem Ladegerät

- (Abb. 21) Recyceln Sie dieses Gerät an einer Recyclingstation für elektrische und elektronische Geräte. (nur für Europa)
- (Abb. 17) Störungsfreier Transformator.
- (Abb. 18) Das Akkuladegerät darf nur in geschlossenen Räumen benutzt und aufbewahrt werden.
- (Abb. 19) Doppelt isoliert

Sicherheit

Sicherheitsdefinitionen

Die nachstehenden Definitionen geben den Schweregrad für jedes Signalwort an.



WARNUNG: Personenschäden.



ACHTUNG: Schäden am Gerät.

Hinweis: Diese Informationen erleichtern die Verwendung des Geräts.

Allgemeine Sicherheitshinweise für Elektrowerkzeuge



WARNUNG: Lesen Sie sämtliche Sicherheitshinweise und Anweisungen durch. Wenn Sie die Warn- und Sicherheitshinweise nicht befolgen, kann

dies zu Elektroschock, Brand und/oder schweren Verletzungen führen.

Hinweis: Bewahren Sie alle Warnhinweise und Anweisungen für spätere Referenzzwecke auf. Der Begriff „Elektrowerkzeug“ in den Warnhinweisen bezieht sich auf ein Elektrowerkzeug mit Netzbetrieb (über ein Kabel) oder mit Akkubetrieb (kabellos).

Sicherheit im Arbeitsbereich

- **Sorgen Sie für einen sauberen und gut ausgeleuchteten Arbeitsbereich.** Durch zugestellte oder dunkle Arbeitsbereiche steigt die Unfallgefahr stark an.
- **Betreiben Sie Elektrowerkzeuge niemals an Orten, an denen Explosionsgefahr besteht, z. B. in der Nähe von leicht entzündlichen Flüssigkeiten, Gasen oder Staubansammlungen.** Bei der Arbeit mit Elektrowerkzeugen kann es zu Funkenbildung kommen, wodurch sich Staub oder Dämpfe entzünden können.
- **Sorgen Sie bei der Arbeit mit Elektrowerkzeugen dafür, dass sich keine Kinder oder unbefugte Personen in der Nähe befinden.** Durch Ablenkungen

können Sie die Kontrolle über das Werkzeug verlieren.

Elektrische Sicherheit

- **Die Netzstecker von Elektrowerkzeugen müssen zur Steckdose passen. Der Netzstecker darf in keiner Weise verändert werden. Verwenden Sie bei Elektrowerkzeugen mit Schutzkontakt (geerdet) niemals Adapterstecker.** Nicht modifizierte Stecker und Steckdosen reduzieren das Risiko eines Elektroschocks.
- **Vermeiden Sie Körperkontakt mit geerdeten Gegenständen wie Rohrleitungen, Heizungen, Herden oder Kühlschränken.** Bei Körperkontakt mit geerdeten Gegenständen besteht ein erhöhtes Stromschlagrisiko.
- **Setzen Sie Elektrowerkzeuge niemals Regen oder sonstiger Feuchtigkeit aus.** Wenn Wasser in ein Elektrowerkzeug eindringt, erhöht sich das Stromschlagrisiko.
- **Verwenden Sie das Anschlusskabel nicht missbräuchlich. Verwenden Sie das Anschlusskabel niemals zum Tragen oder Heranziehen des Elektrowerkzeugs, und ziehen Sie den Stecker nicht am Anschlusskabel aus der Steckdose. Halten Sie das Kabel fern von Hitzequellen, Öl, scharfen Kanten und beweglichen Teilen.** Beschädigte oder verdrehte Anschlusskabel erhöhen das Stromschlagrisiko.
- **Wenn Sie ein Elektrowerkzeug im Freien benutzen, verwenden Sie ein für den Außeneinsatz geeignetes Verlängerungskabel.** Die Verwendung eines für den Außeneinsatz geeigneten Kabels verringert das Risiko eines Stromschlags.
- **Falls der Einsatz eines Elektrowerkzeugs in einer feuchten Umgebung nicht zu vermeiden ist, benutzen Sie eine Stromversorgung mit einem FI-Schutzschalter (RCD).** Die Verwendung eines FI-Schutzschalters (RCD) verringert das Risiko eines elektrischen Schlags.

Persönliche Sicherheit

- **Bleiben Sie aufmerksam, achten Sie auf das, was Sie tun, und setzen Sie gesunden Menschenverstand ein, wenn Sie mit Elektrowerkzeugen arbeiten. Benutzen Sie keine Elektrowerkzeuge, wenn Sie müde sind oder unter Einfluss von Drogen, Alkohol oder Medikamenten stehen.** Bei der Arbeit mit Elektrowerkzeugen können bereits kurze Phasen der Unaufmerksamkeit zu schweren Verletzungen führen.
- **Benutzen Sie eine persönliche Schutzausrüstung. Tragen Sie stets einen Augenschutz.** Schutzausrüstung wie Atemschutzmaske, rutschsichere Sicherheitsschuhe, Schutzhelm und Gehörschutz senkt bei angemessenem Einsatz das Verletzungsrisiko.
- **Vermeiden Sie ein versehentliches Starten. Achten Sie darauf, dass sich der Schalter in der Aus-Stellung befindet, bevor Sie das Elektrowerkzeug an**

die Stromversorgung und/oder den Akku anschließen oder es hochheben oder herumtragen. Durch Herumtragen von Elektrowerkzeugen mit dem Finger am Schalter und das Einstecken des Steckers bei betätigtem Schalter steigt das Unfallrisiko stark an.

- **Entfernen Sie sämtliche Einstellschlüssel, bevor Sie das Elektrowerkzeug einschalten.** Ein an einem beweglichen Teil des Elektrowerkzeugs angebrachter Schlüssel kann zu Verletzungen führen.
- **Sorgen Sie für einen festen Stand. Achten Sie jederzeit darauf, sicher zu stehen und das Gleichgewicht zu bewahren.** Dadurch haben Sie das Elektrowerkzeug in unerwarteten Situationen besser im Griff.
- **Kleiden Sie sich richtig. Tragen Sie niemals lose sitzende Kleidung oder Schmuck. Halten Sie Haar, Kleidung und Handschuhe von beweglichen Teilen fern.** Lose Kleidung, Schmuck oder langes Haar kann von beweglichen Teilen erfasst werden.
- **Wenn Anschlüsse für Staubabsaug- und Staubsammelvorrichtungen vorhanden sind, sorgen Sie dafür, dass diese richtig angeschlossen und eingesetzt werden.** Die Verwendung von Staubsammelvorrichtungen vermindert durch Staub verursachte Gefahren.
- Die Vibrationsemissionen während der tatsächlichen Verwendung des Elektrowerkzeugs können abhängig von der Verwendungsart des Werkzeugs vom angegebenen Gesamtwert abweichen. Bediener sollten Sicherheitsmaßnahmen für den eigenen Schutz ergreifen, die auf einer Beurteilung der Exposition unter tatsächlichen Nutzungsbedingungen beruht. Dabei sind alle Teile des Betriebszyklus zu berücksichtigen, z. B. abgesehen vom Gashebelbetrieb, die Zeiten, wenn das Werkzeug ausgeschaltet ist und wenn es im Leerlauf betrieben wird.

Verwendung und Pflege von Elektrowerkzeugen

- **Überbeanspruchen Sie Elektrowerkzeuge nicht. Benutzen Sie das richtige Elektrowerkzeug für Ihren Einsatzzweck.** Das richtige Elektrowerkzeug erledigt seine Arbeit bei bestimmungsgemäßem Einsatz besser und sicherer.
- **Benutzen Sie das Elektrowerkzeug nicht, wenn es sich nicht am Schalter ein- und ausschalten lässt.** Jedes Elektrowerkzeug, das nicht mit dem Schalter betätigt werden kann, stellt eine Gefahr dar und muss repariert werden.
- **Trennen Sie das Elektrowerkzeug von der Stromversorgung bzw. vom Akku, bevor Sie Einstellarbeiten vornehmen, Zubehörteile austauschen oder das Elektrowerkzeug verstauen.** Solche präventiven Sicherheitsmaßnahmen verhindern den unbeabsichtigten Start des Elektrowerkzeugs.

- **Lagern Sie nicht benutzte Elektrowerkzeuge außerhalb der Reichweite von Kindern, und lassen Sie nicht zu, dass Personen das Elektrowerkzeug bedienen, die nicht mit dem Werkzeug selbst und/oder diesen Anweisungen vertraut sind.** Elektrowerkzeuge stellen in ungeschulten Händen eine Gefahr dar.
- **Halten Sie Elektrowerkzeuge in Stand. Prüfen Sie auf Fehlausrichtungen, sicheren Halt und Leichtgängigkeit beweglicher Teile, Beschädigungen von Teilen sowie auf jegliche andere Zustände, die sich auf den Betrieb des Elektrowerkzeugs auswirken können. Bei Beschädigungen lassen Sie das Elektrowerkzeug reparieren, bevor Sie es benutzen.** Viele Unfälle mit Elektrowerkzeugen sind auf schlechte Wartung zurückzuführen.
- **Halten Sie Schneidwerkzeuge scharf und sauber.** Ordnungsgemäß gewartete Schneidwerkzeuge mit scharfen Schneidkanten bleiben seltener hängen und sind einfacher zu bedienen.
- **Benutzen Sie Elektrowerkzeuge, Zubehör, Werkzeugspitzen und Ähnliches in Übereinstimmung mit diesen Anweisungen und auf die für das jeweilige Elektrowerkzeug bestimmungsgemäße Weise, und beachten Sie dabei die jeweiligen Arbeitsbedingungen und die Art der auszuführenden Arbeiten.** Der Einsatz eines Elektrowerkzeugs für Zwecke, die von den hier angegebenen abweichen, kann zu Gefahrensituationen führen.

Verwendung und Pflege von akkubetriebenen Werkzeugen

- **Eine Aufladung darf nur mit dem vom Hersteller vorgeschriebenen Ladegerät durchgeführt werden.** Durch ein für einen bestimmten Akkutyp geeignetes Ladegerät kann Brandgefahr entstehen, wenn es für einen anderen Akku verwendet wird.
- **Verwenden Sie Elektrowerkzeuge nur mit speziell ausgezeichneten Akkus.** Die Verwendung anderer Akkus kann zu Verletzungs- und Brandgefahr führen.
- **Wird der Akku nicht verwendet, halten Sie ihn von Metallgegenständen wie Büroklammern, Münzen, Schlüsseln, Nägeln, Schrauben oder anderen kleineren Metallobjekten fern, da es zu einer Überbrückung der Kontakte kommen könnte.** Durch Kurzschluss der Akkuklemmen kann es zu Verbrennungen oder Bränden kommen.
- **Unter missbräuchlichen Bedingungen kann Flüssigkeit aus dem Akku austreten; vermeiden Sie Kontakt damit. Bei versehentlichem Hautkontakt sofort mit Wasser abspülen. Sollten Ihre Augen damit in Berührung gekommen sein, suchen Sie sofort ärztliche Hilfe auf.** Durch austretende Flüssigkeit aus dem Akku kann es zu Reizungen oder Verbrennungen kommen.

Service

- **Lassen Sie das Elektrowerkzeug von einem qualifizierten Fachmann reparieren, und bestehen**

Sie darauf, dass nur Originalersatzteile verwendet werden. Auf diese Weise wird dafür gesorgt, dass die Sicherheit des Elektrowerkzeugs nicht beeinträchtigt wird.

Motorsäge - Sicherheitswarnungen

- **Halten Sie alle Körperteile von der Sägekette fern, wenn die Motorsäge läuft. Bevor Sie die Motorsäge starten, stellen Sie sicher, dass die Sägekette keine anderen Gegenstände berührt.** Unaufmerksamkeit während des Betriebs der Motorsäge kann dazu führen, dass Sie sich mit Ihrer Kleidung oder mit einem Körperteil in der Sägekette verfangen.
- **Die Motorsäge immer mit der rechten Hand am hinteren Handgriff und der linken Hand am vorderen Handgriff halten.** Wenn Sie die Motorsäge auf andere Weise festhalten, wird das Verletzungsrisiko erhöht. Vermeiden Sie dies.
- **Halten Sie das Elektrowerkzeug nur an der isolierten Griffoberfläche fest, da die Sägekette sonst ggf. in Kontakt mit verborgener Verkabelung oder mit dem Netzkabel kommt.** Eine Sägekette, die mit einem stromführenden Leiter in Kontakt kommt, kann freiliegende Metallteile des Elektrowerkzeugs unter Strom setzen und dem Bediener einen elektrischen Schlag versetzen.
- **Tragen Sie eine Schutzbrille und einen Gehörschutz. Weitere Schutzkleidung für Kopf, Hände, Beine und Füße wird empfohlen.** Angemessene Schutzkleidung verringert das Verletzungsrisiko durch umherfliegende Bruchstücke oder durch versehentlichen Kontakt mit der Sägekette.
- **Benutzen Sie in einem Baum keine Motorsäge.** Die Verwendung einer Motorsäge auf einem Baum kann zu Verletzungen führen.
- **Achten Sie stets auf festen Stand, und betreiben Sie die Motorsäge nur, wenn Sie auf einer festen, sicheren und geraden Oberfläche stehen.** Eine rutschige oder instabile Oberfläche (z. B. eine Leiter) kann zu Gleichgewichtsverlust oder zum Verlust der Kontrolle über die Motorsäge führen.
- **Rechnen Sie beim Durchtrennen eines Asts, der unter Spannung steht, mit dem Zurückschnellen.** Wird die Spannung in den Holzfasern abgebaut, kann der unter Spannung stehende Ast den Bediener treffen und/oder die Motorsäge zur Seite drücken.
- **Gehen Sie beim Schneiden von Dickicht und Jungbäumen besonders umsichtig vor.** Das dünne Material kann sich in der Sägekette verfangen und in Ihre Richtung geschleudert werden bzw. Sie aus dem Gleichgewicht bringen.
- **Tragen Sie die Motorsäge am Vorderen Handgriff. Diese muss dabei ausgeschaltet sein und von Ihrem Körper weg weisen. Beim Transportieren oder Lagern der Motorsäge muss immer die Schwertabdeckung angebracht werden.** Der richtige Umgang mit der Motorsäge verringert die Wahrscheinlichkeit des Kontakts mit der sich bewegenden Sägekette.

- **Befolgen Sie die Anweisungen zum Schmieren, zum Spannen der Kette und zum Wechseln des Zubehörs.** Eine falsch gespannte oder geschmierte Sägekette kann reißen oder das Rückschlagrisiko erhöhen.
- **Halten Sie die Griffe trocken, sauber und frei von Öl und Fett.** Rutschige, ölige Griffe können zum Kontrollverlust führen.
- **Schneiden Sie nur Holz. Verwenden Sie die Säge nicht für andere Zwecke. Zum Beispiel: Verwenden Sie die Säge nicht zum Schneiden von Kunststoff, Mauerwerk oder anderen Materialien, die nicht aus Holz bestehen.** Der bestimmungswidrige Einsatz der Motorsäge kann zu gefährlichen Situationen führen.
- Erstanwendern empfehlen wir mit Nachdruck, das Sägen von Holzklötzen auf einem Sägebock oder einem Gestell zu üben.

Ursachen für Rückschlag und Vermeiden durch den Bediener

Es kann zu einem Rückschlag kommen, wenn die Schwertschneidkante ein Objekt berührt oder wenn sich ein Spalt im Holz schließt und die Sägekette einklemmt. Der Kontakt mit der Schwertschneidkante kann zu einer plötzlichen Umkehrreaktion führen, sodass das Schwert nach oben und in Richtung des Bedieners geschleudert wird. Wird die Sägekette an der Schwertoberseite eingeklemmt, kann das Schwert schnell in Richtung des Bedieners geschleudert werden. Durch diese Reaktionen können Sie die Kontrolle über die Säge verlieren, was wiederum zu schweren Verletzungen führen kann. Verlassen Sie sich nicht ausschließlich auf die Sicherheitsvorrichtungen Ihrer Säge. Als Benutzer einer Motorsäge müssen Sie verschiedene Maßnahmen ergreifen, um unfall- und verletzungsfrei zu arbeiten. Ein Rückschlag ist das Ergebnis von unsachgemäßer Anwendung des Werkzeugs und/oder von falschem Betrieb. Dies lässt sich durch die nachfolgend aufgeführten Vorsichtsmaßnahmen vermeiden:

- **Halten Sie die Säge stets mit Daumen und Fingern an den Griffen fest. Beide Hände sind an der Säge, und Ihr Körper sowie die Arme ermöglichen das Abfangen von Rückschlägen.** Rückschläge können bei Beachten der entsprechenden Vorsichtsmaßnahmen vom Bediener abgefangen werden. Lassen Sie die Motorsäge nicht los.
- **Beugen Sie sich nicht zu weit vor, und sägen Sie nicht über Schulterhöhe.** Auf diese Weise können Sie den unabsichtlichen Spitzenkontakt vermeiden und die Säge in unerwarteten Situationen besser kontrollieren.
- **Verwenden Sie nur die vom Hersteller angegebenen Ersatzschwerter und Ketten.** Falsche Schwerter und Ketten können zum Kettenbruch und/oder zu Rückschlägen führen.
- **Befolgen Sie die Herstelleranweisungen zum Schärfen und Warten der Sägekette.** Das Verringern der Tiefenmesserhöhe kann zu stärkeren Rückschlägen führen.

BEWAHREN SIE DIESE BETRIEBSANLEITUNG AUF.

Allgemeine Sicherheitshinweise



WARNUNG: Lesen Sie die folgenden Warnhinweise, bevor Sie das Gerät benutzen.

- Dieses Gerät ist ein sehr gefährliches Werkzeug, wenn Sie nicht aufpassen oder das Gerät unsachgemäß verwenden. Dieses Gerät kann schwere Verletzungen des Bedieners oder anderer Personen verursachen. Es ist deshalb von größter Wichtigkeit, dass diese Bedienungsanweisung aufmerksam durchgelesen und verstanden wird.
- Nehmen Sie ohne die Genehmigung des Herstellers keine Veränderungen an dem Gerät vor. Verwenden Sie auch keine Geräte, die von anderen verändert wurden, und verwenden Sie immer Originalzubehör. Nicht vom Hersteller zugelassene Veränderungen können zu schweren oder sogar tödlichen Verletzungen des Bedieners oder anderer Personen führen.
- Das Einatmen des Kettenölnebels und des Staubs von Sägeespänen über längere Zeit kann eine Gefahr für die Gesundheit darstellen.
- Dieses Gerät erzeugt beim Betrieb ein elektromagnetisches Feld. Dieses Feld kann sich unter bestimmten Bedingungen auf die Funktionsweise aktiver oder passiver medizinischer Implantate auswirken. Um die Gefahr von Situationen, die zu schweren oder tödlichen Verletzungen führen können, zu verringern, sollten sich Personen mit einem medizinischen Implantat vor der Nutzung dieses Gerätes an ihren Arzt und den Hersteller des Implantats wenden.

Sicherheitshinweise für den Betrieb



WARNUNG: Lesen Sie die folgenden Warnhinweise, bevor Sie das Gerät benutzen.

- Die Informationen in dieser Bedienungsanleitung sind kein Ersatz für Fachwissen und Erfahrungen. Wenn Sie sich in einer Situation nicht sicher fühlen, schalten Sie das Gerät ab. Wenden Sie sich an Ihren Kundendienst oder einen professionellen Anwender von Motorsägen. Vermeiden Sie jede Arbeit, für die Sie nicht ausreichend qualifiziert sind!
- Wenden Sie sich an ihren Servicehändler oder Husqvarna, wenn Sie Fragen zur Bedienung des Geräts haben. Wir können Ihnen Informationen dazu geben, wie Sie Ihr Gerät effektiv und sicher bedienen. Nehmen Sie nach Möglichkeit an einer Schulung für die Bedienung von Motorsägen teil. Ihr Servicehändler, Forstfachschulen oder Bibliotheken informieren Sie über verfügbares Weiterbildungsmaterial und das Kursangebot.

- Sie müssen wissen, was ein Rückschlag ist, und wie Sie ihn vermeiden, bevor Sie das Gerät verwenden. Siehe *Informationen zu Rückschlägen auf Seite 139* und *Häufig gestellte Fragen über Rückschläge auf Seite 138* für Anweisungen.
- Verwenden Sie keine defekten Geräte, Akkus oder Ladegeräte.
- Berühren Sie nicht die rotierende Sägekette. Dies kann zu schweren Verletzungen führen.
- Verwenden Sie das Gerät nicht, wenn Sie müde sind, unter dem Einfluss von Alkohol, Drogen, Medikamenten oder sonstigen Mitteln stehen, die Ihre Sehkraft, Aufmerksamkeit, Körperkontrolle oder Ihr Urteilsvermögen beeinträchtigen könnten.
- Das Arbeiten bei schlechtem Wetter ist nicht nur ermüdend, sondern birgt auch zusätzliche Risiken. Aufgrund des höheren Risikos wird davon abgeraten, das Gerät bei sehr schlechtem Wetter zu verwenden, z. B. bei dichtem Nebel, starkem Regen, starkem Wind, großer Kälte, Gewittergefahr usw.
- Starten Sie das Gerät erst, wenn die Führungsschiene, die Kette und sämtliche Abdeckungen korrekt montiert sind. Andernfalls kann sich das Antriebsrad lösen und schwere Verletzungen verursachen. Siehe *Montage auf Seite 136* für Anweisungen. (Abb. 22)
- Behalten Sie die Umgebung im Auge. Stellen Sie sicher, dass keine Gefahr besteht, dass Personen oder Tiere berührt werden oder Ihre Kontrolle über das Gerät beeinflussen. (Abb. 23)
- Erlauben Sie niemals Kindern, das Gerät zu benutzen oder sich in seiner Nähe aufzuhalten. Das Gerät ist leicht zu starten, und Kinder können bei unzureichender Aufsicht in der Lage sein, es zu starten. Dies kann zu schweren Verletzungen führen.
- Entfernen Sie den Akku, wenn Sie das Gerät nicht vollständig im Blick haben oder das Gerät für einen beliebigen Zeitraum unbeaufsichtigt lassen.
- Sie müssen sicher auf Ihren Füßen stehen, um das Gerät voll unter Kontrolle zu haben. Verwenden Sie das Gerät nicht, wenn Sie sich auf einer Leiter oder auf einem Baum befinden. Verwenden Sie das Gerät nicht, wenn Sie nicht auf stabilem Untergrund stehen. (Abb. 24)
- Wenn Sie nicht aufpassen, erhöht sich die Rückschlaggefahr. Ein Rückschlag kann auftreten, wenn der Rückschlagbereich der Führungsschiene einen Ast, einen Baum oder andere Gegenstände berührt. (Abb. 25)
- Arbeiten Sie nicht einhändig mit dem Gerät. Dieses Gerät lässt sich mit nur einer Hand nicht sicher bedienen.
- Verwenden Sie das Gerät über Schulterhöhe und versuchen Sie nicht, mit der Führungsschienen spitze zu schneiden. (Abb. 26)
- Verwenden Sie das Gerät nicht in einer Situation, in der Sie im Falle eines Unfalls keine Hilfe rufen können.
- Halten Sie das Gerät an und aktivieren Sie die Kettenbremse, bevor Sie das Gerät bewegen. Halten Sie das Gerät so, dass die Führungsschiene und die Sägekette nach hinten zeigen. Bringen Sie einen Transportschutz an der Führungsschiene an, bevor Sie das Gerät transportieren oder um eine beliebige Strecke bewegen.
- Sichern Sie beim Abstellen des Geräts auf den Boden die Sägekette mit der Kettenbremse, und behalten Sie das Gerät immer im Auge. Schalten Sie das Gerät aus und entnehmen den Akku, bevor Sie Ihr Gerät für einen beliebigen Zeitraum zurücklassen.
- Es besteht die Gefahr, dass Holzspäne im Antriebssystem eingeklemmt werden. Dadurch kann die Sägekette blockieren. Vor dem Reinigen müssen Sie stets das Gerät ausschalten und den Akku entnehmen.
- Vergewissern Sie sich, dass Sie sich sicher bewegen können. Prüfen Sie die Bedingungen und das Gelände in Ihrer Umgebung auf Hindernisse wie Wurzeln, Steine, Äste, Löcher, Gräben und mehr. Seien Sie besonders vorsichtig, wenn Sie auf abschüssigem Gelände arbeiten.
- Die Vibrationswerte erhöhen sich, wenn Sie mit einer Schneidausrüstung arbeiten, die falsch oder nicht richtig geschärft ist. Das Sägen von Hartholz (die meisten Laubbäume) verursacht mehr Vibration als das Sägen von Weichholz (die meisten Nadelbäume). (Abb. 27)
- Eine übermäßige Belastung durch Vibrationen kann bei Personen mit verminderter Durchblutung zu Kreislaufschäden oder Nervenschäden führen. Sprechen Sie mit Ihrem Arzt, wenn Sie nach übermäßiger Belastung durch Vibrationen irgendwelche Beschwerden haben. Beispiele für solche Symptome sind: Einschlafen von Körperteilen, Gefühlsverlust, Kribbeln, Stechen, Schmerzen, Verlust oder Beeinträchtigung der normalen Körperkraft sowie Veränderungen von Farbe oder Zustand der Haut. Die Symptome treten normalerweise in den Fingern, Händen oder Handgelenken auf und verschlimmern sich bei kalten Temperaturen.
- Meiden Sie Situationen, denen Sie sich nicht gewachsen fühlen.
- Es ist nicht möglich, jede mögliche Situation zu berücksichtigen, mit der Sie konfrontiert sein können, wenn Sie das Gerät verwenden. Lassen Sie immer Vorsicht walten und arbeiten Sie mit gesundem Menschenverstand. (Abb. 28)

Persönliche Schutzausrüstung



WARNUNG: Lesen Sie die folgenden Warnhinweise, bevor Sie das Gerät benutzen.

(Abb. 29)

- Bei Kontakt mit der Sägekette können schwerste Verletzungen auftreten. Sie müssen während des Betriebs eine zugelassene persönliche Schutzausrüstung tragen. Die persönliche Schutzausrüstung schützt Sie zwar nicht vollständig vor Verletzungen, vermindert aber den Umfang der Verletzungen bei einem Unfall. Wenden Sie sich an Ihren Servicehändler für Empfehlungen, welche Ausrüstung zu verwenden ist.
- Ihre Kleidung muss eng sitzen, darf aber nicht Ihre Bewegungen einschränken. Überprüfen Sie regelmäßig den Zustand der persönlichen Schutzausrüstung.
- Verwenden Sie einen zugelassenen Schutzhelm.
- Tragen Sie einen zugelassenen Gehörschutz. Eine längerfristige Beschallung mit Lärm kann zu bleibenden Gehörschäden führen.
- Tragen Sie eine Schutzbrille oder einen Gesichtsschutz, um sich vor Verletzungen durch weggeschleuderte Gegenstände zu schützen. Das Gerät kann Gegenstände wie Sägespäne, Holzstückchen und mehr mit großer Kraft wegschleudern. Schwere Verletzungen, besonders an den Augen, können die Folge sein.
- Verwenden Sie Handschuhe mit Schnittschutz.
- Verwenden Sie Hosen mit Schnittschutz.
- Verwenden Sie Stiefel mit Schnittschutz, Stahlkappe und rutschfester Sohle.
- Sie sollten immer ein Erste-Hilfe-Set dabei haben.
- Risiko der Funkenbildung. Halten Sie zur Verhinderung von Waldbränden Feuerlöschwerkzeuge und eine Schaufel bereit.

Sicherheitsvorrichtungen am Gerät



WARNUNG: Lesen Sie die folgenden Warnhinweise, bevor Sie das Gerät benutzen.

- Benutzen Sie kein Gerät mit defekten Sicherheitsvorrichtungen.
- Führen Sie regelmäßig eine Überprüfung der Sicherheitsvorrichtungen durch. Siehe *Wartung und Prüfung der Sicherheitseinrichtungen auf dem Gerät auf Seite 143*.
- Wenn die Sicherheitsvorrichtungen defekt sind, wenden Sie sich an Ihre Husqvarna-Servicewerkstatt.

Tastatur

Die Warnanzeige blinkt, wenn die Kettenbremse aktiviert ist oder wenn das Risiko einer Überlastung besteht. Der Überlastschutz hält das Gerät vorübergehend an, und Sie können das Gerät nicht verwenden, bis die Temperatur wiederhergestellt ist. Wenn die Anzeige durchgehend leuchtet, wenden Sie sich an Ihren Kundendienst. (Abb. 30)

Die automatische Stoppfunktion

Das Gerät verfügt über eine automatische Stoppfunktion, die das Gerät stoppt, wenn Sie es eine Minute lang nicht verwendet haben.

Kettenbremse mit Handschutz

Ihr Gerät ist mit einer Kettenbremse ausgestattet, welche die Sägekette bei einem Rückschlag stoppt. Die Kettenbremse verringert die Unfallgefahr nur, wenn Sie selbst die erforderlichen Vorsichtsmaßnahmen einhalten. (Abb. 31)



WARNUNG: Meiden Sie Situationen, in denen Rückschlaggefahr besteht. Seien Sie vorsichtig, wenn Sie das Gerät verwenden, und stellen Sie sicher, dass der Rückschlagbereich der Führungsschiene keine Gegenstände berührt.

(Abb. 32)

Die Kettenbremse (A) wird entweder manuell mit der linken Hand oder automatisch durch die Trägheitsfunktion aktiviert. Drücken Sie den Handschutz (B) nach vorne, um die Kettenbremse manuell zu aktivieren. Diese Bewegung startet einen gefederten Mechanismus, der das Antriebsrad stoppt. (Abb. 33)

Die Art und Weise, wie die Kettenbremse aktiviert wird, hängt von der Kraft des Rückschlags und der Position des Geräts ab. Bei einem heftigen Rückschlag und wenn sich der Rückschlagbereich so weit wie möglich von Ihnen entfernt befindet, wird die Kettenbremse durch die Trägheitsfunktion aktiviert. Bei einem leichten Rückschlag oder bei einem Rückschlag in Ihrer Nähe, wird die Kettenbremse manuell von Ihrer linken Hand aktiviert. (Abb. 34)

Verwenden Sie Kettenbremse als Feststellbremse, wenn Sie das Gerät starten und sich über kurze Strecken bewegen. Dadurch reduzieren Sie das Risiko, dass Sie selbst oder Umstehende von der Sägekette erfasst werden. (Abb. 35)

Bewegen Sie den Handschutz nach hinten, um die Kettenbremse zu lösen. (Abb. 36)

Ein Rückschlag kann blitzschnell und mit großer Kraft auftreten. Die meisten Rückschläge sind klein und bewirken nicht immer ein Auslösen der Kettenbremse. Wenn ein Rückschlag auftritt, während Sie das Gerät benutzen, halten Sie die Griffe fest und lassen Sie nicht los. (Abb. 37)

Der Handschutz verringert auch das Risiko, die Sägekette zu treffen, wenn Ihre Hand den vorderen Griff loslässt. (Abb. 38)

In der Fällposition können Sie die Kettenbremse nicht manuell aktivieren. In dieser Position lässt sich die Kettenbremse nur mit der Trägheitsfunktion aktivieren. (Abb. 39)

Gashebelsperre

Die Gashebelsperre verhindert ein versehentliches Auslösen des Gashebels. Wenn Sie mit Ihrer Hand um den Griff fassen und die Gashebelsperre (A) betätigen, wird der Gashebel (B) freigegeben. Wenn Sie den Handgriff loslassen, werden Gashebel und Gashebelsperre wieder in ihre Ausgangsstellung zurückgestellt. (Abb. 40)

Kettenfänger

Der Kettenfänger fängt die Kette, wenn sie bricht oder sich löst. Wenn Sie eine korrekte Kettenspannung haben, wird das Risiko verringert. Außerdem verringert sich das Risiko, wenn Sie die Führungsschiene und die Sägekette korrekt warten. Siehe *So spannen Sie die Sägekette auf Seite 146* und *Wartung auf Seite 142* für Anweisungen. (Abb. 41)

Rechtshandschutz

Der Rechtshandschutz dient als Schutz für Ihre Hand, wenn die Sägekette bricht oder sich löst. Er verhindert auch Störungen durch Äste und Zweige bei der Verwendung des Geräts. (Abb. 42)

Sicherer Umgang mit Akkus



WARNUNG: Lesen Sie die folgenden Warnhinweise, bevor Sie das Gerät benutzen.

- Verwenden Sie nur die BLi Akkus, die wir für Ihr Gerät empfehlen. Die Akkus verfügen über eine Softwareverschlüsselung.
- Verwenden Sie als Stromversorgung für die zugehörigen Husqvarna Geräte nur wiederaufladbare BLi Akkus. Um Verletzungen zu vermeiden, verwenden Sie den Akku nicht zur Energieversorgung anderer Geräte.
- Es besteht die Gefahr von elektrischen Schlägen. Verbinden Sie die Akkuklemmen nicht mit Schlüsseln, Schrauben oder anderen metallischen Gegenständen. Dadurch kann es zu einem Kurzschluss des Akkus kommen.
- Benutzen Sie keine Akkus, die nicht wiederaufladbar sind.
- Legen Sie keine Gegenstände in die Luftschlitze des Akkus.
- Halten Sie den Akku von direkter Sonneneinstrahlung, Hitze oder offenem Feuer fern. Der Akku kann Verbrennungen und/oder chemische Verätzungen verursachen.
- Halten Sie den Akku von Regen und Feuchtigkeit fern.
- Halten Sie den Akku von Mikrowellen und hohem Druck fern.
- Versuchen Sie nicht, den Akku zu zerlegen oder aufzubrechen.

- Meiden Sie Hautkontakt mit Batteriesäure. Batteriesäure verursacht Hautverletzungen, Korrosion und Verbrennungen. Sollte Batteriesäure in Ihre Augen gelangen, reiben Sie diese nicht, sondern spülen Sie sie mindestens 15 Minuten lang mit reichlich Wasser aus. Falls Ihre Haut Kontakt mit Batteriesäure hatte, reinigen Sie sie mit viel Wasser und Seife. Suchen Sie unverzüglich medizinische Hilfe auf.
- Der Akku darf nur bei Temperaturen zwischen -10 °C (14 °F) und 40 °C (104 °F) verwendet werden.
- Reinigen Sie weder den Akku noch das Ladegerät mit Wasser. Siehe *So überprüfen Sie den Akku und das Akkufach auf Seite 144*.
- Verwenden Sie keine fehlerhaften oder beschädigten Akkus.
- Lagern Sie Akkus getrennt von Metallgegenständen wie Nägeln, Schrauben und Schmuck.
- Achten Sie darauf, den Akku von Kindern fernzuhalten.

Sicherer Umgang mit dem Ladegerät



WARNUNG: Lesen Sie die folgenden Warnhinweise, bevor Sie das Gerät benutzen.

- Gefahr von elektrischen Schlägen oder Kurzschluss, wenn die Sicherheitshinweise nicht beachtet werden.
- Verwenden Sie eine geprüfte geerdete Steckdose, die nicht beschädigt ist.
- Verwenden Sie nur das mitgelieferte Ladegerät für Ihr Produkt. Verwenden Sie zum Laden von Husqvarna BLi-Ersatzakkus ausschließlich Husqvarna QC-Ladegeräte.
- Das Ladegerät nicht zerlegen.
- Verwenden Sie keine fehlerhaften oder beschädigten Ladegeräte.
- Heben Sie das Ladegerät nicht am Netzkabel an. Um das Ladegerät von der Steckdose zu trennen, ziehen Sie am Netzstecker. Ziehen Sie nicht am Netzkabel.
- Achten Sie darauf, dass keines der Kabel und Verlängerungskabel mit Wasser, Öl oder scharfen Kanten in Berührung kommt. Achten Sie darauf, dass Kabel nicht zwischen Türen, Zäunen o. Ä. eingeklemmt werden.
- Das Ladegerät darf nicht in der Nähe von entflammaren Materialien oder Materialien, die Korrosion verursachen können, verwendet werden. Vergewissern Sie sich, dass das Akkuladegerät nicht abgedeckt ist. Bei Rauchentwicklung oder Feuer muss der Stecker des Ladegeräts sofort aus der Steckdose gezogen werden.
- Laden Sie den Akku nur in geschlossenen Räumen an einem Ort mit guter Luftzirkulation und ohne direkte Sonneneinstrahlung. Laden Sie den Akku

nicht im Freien. Auf keinen Fall Akkus in feuchter Umgebung laden.

- Verwenden Sie das Ladegerät nur bei mit einer Temperatur zwischen 5 °C (41 °F) und 40 °C (104 °F). Verwenden Sie das Ladegerät nur in einer gut belüfteten, trockenen und staubfreien Umgebung.
- Legen Sie keine Gegenstände in die Kühlschlitze des Akkuladegeräts.
- Verbinden Sie die Anschlüsse des Akkuladegeräts niemals mit Metallgegenständen. Dies kann zu einem Kurzschluss im Ladegerät führen.
- Nutzen Sie zugelassene Steckdosen, die nicht beschädigt sind.

- Nur Original-Ersatzteile verwenden.

Sicherheitshinweise für die Schneidausrüstung



WARNUNG: Lesen Sie die folgenden Warnhinweise, bevor Sie das Gerät benutzen.

- Verwenden Sie nur die Kombinationen von Führungsschiene/Sägekette und Einfüllhilfen, die wir empfehlen. Eine Anleitung finden Sie in *Zubehör auf Seite 150*.
- Tragen Sie Schutzhandschuhe, wenn Sie an der Sägekette eine Wartung durchführen oder sie verwenden. Eine Sägekette, die sich nicht bewegt, kann auch zu Verletzungen führen.
- Sorgen Sie dafür, dass die Schneidezähne gut geschärft sind. Befolgen Sie die Anweisungen und verwenden Sie die empfohlene Schärfllehre. Eine Sägekette, die beschädigt oder nicht korrekt geschärft ist, erhöht die Unfallgefahr. (Abb. 43)
- Behalten Sie den korrekten Tiefenbegrenzerabstand bei. Befolgen Sie die Anweisungen und verwenden Sie die empfohlene Tiefenbegrenzereinstellung. Ein zu großer Tiefenbegrenzerabstand erhöht die Rückschlaggefahr. (Abb. 44)
- Stellen Sie sicher, dass die Sägekette die richtige Spannung besitzt. Wenn sich die Sägekette nicht fest in der Führungsschiene befindet, kann die Sägekette abspringen. Eine falsche Sägekettenspannung führt zu höherem Verschleiß an der Führungsschiene, der Sägekette und dem Kettenantriebsrad. Siehe *So spannen Sie die Sägekette auf Seite 146*. (Abb. 45)
- Führen Sie die Wartung der Schneidausrüstung regelmäßig durch und sorgen Sie für eine korrekte Schmierung. Wenn die Sägekette ist nicht ordnungsgemäß geschmiert ist, erhöht sich die Gefahr von Verschleiß an der Führungsschiene, der Sägekette dem und Kettenantriebsrad. (Abb. 46)

Sicherheitshinweise für die Wartung



WARNUNG: Lesen Sie die folgenden Warnhinweise, bevor Sie das Gerät warten.

- Entfernen Sie vor Wartungs-, Kontroll- oder Montagearbeiten den Akku.
- Der Bediener darf nur die Wartungs- und Servicearbeiten ausführen, die in dieser Bedienungsanleitung beschrieben sind. Für darüber hinausgehende Wartungs- und Servicearbeiten wenden Sie sich bitte an Ihren Servicehändler.
- Reinigen Sie weder den Akku noch das Ladegerät mit Wasser. Starke Reiniger können den Kunststoff beschädigen.
- Wenn Wartungsarbeiten nicht durchgeführt werden, verringert sich die Lebensdauer des Geräts und die Unfallgefahr steigt.
- Für alle Service- und Reparaturarbeiten, insbesondere an den Sicherheitsvorrichtungen des Geräts, ist eine spezielle Schulung erforderlich. Wenn nach Durchführung der Wartungsarbeiten nicht alle in dieser Bedienungsanleitung beschriebenen Prüfungen mit positivem Ergebnis ausfallen, wenden Sie sich an Ihren Servicehändler. Wir garantieren Ihnen, dass für Ihr Gerät professionelle Service- und Reparaturdienste verfügbar sind.

Montage

Einleitung



WARNUNG: Lesen Sie vor der Montage des Geräts das Kapitel über Sicherheit, und machen Sie sich damit vertraut.

So montieren Sie Führungsschiene und Kette



WARNUNG: Entfernen Sie stets den Akku, bevor Sie ein Zubehöerteil anbringen oder das Gerät warten.

1. Deaktivieren Sie die Kettenbremse. (Abb. 47)
2. Lösen Sie den Knauf und entfernen Sie die Abdeckung des Kettenantriebsrads (Kettenbremse) und den Transportring (A). (Abb. 48)

- Platzieren Sie die Führungsschiene auf dem Schienenbolzen. Bringen Sie die Führungsschiene in ihre hinterste Stellung. Heben Sie die Sägekette über das Kettenantriebsrad, und passen Sie sie in die Nut in der Führungsschiene ein. Beginnen Sie an der Oberkante der Führungsschiene. (Abb. 49)
- Achten Sie darauf, dass die Schneiden der Sägezähne auf der Oberkante der Führungsschiene nach vorn gerichtet sind.
- Bringen Sie die Abdeckung des Kettenantriebsrads wieder an, und platzieren Sie den Stift der Ketteneinstellung in der Aussparung der Führungsschiene.

- Stellen Sie sicher, dass die Treibglieder der Sägekette korrekt in das Kettenantriebsrad passen.
- Stellen Sie sicher, dass die Sägekette korrekt in die Nut der Führungsschiene eingreift.
- Spannen Sie die Sägekette. Siehe *So spannen Sie die Sägekette auf Seite 146* für Anweisungen.

So montieren Sie eine Rindenstütze

Um eine Rindenstütze zu montieren, wenden Sie sich bitte an Ihren Servicehändler.

Betrieb

Einleitung



WARNUNG: Lesen Sie vor Gebrauch des Geräts das Kapitel über Sicherheit, und machen Sie sich damit vertraut.

So führen Sie eine Funktionsprüfung vor Verwendung des Geräts durch

- Prüfen Sie die Kettenbremse (A), um sicherzustellen, dass sie ordnungsgemäß funktioniert und nicht beschädigt ist.
- Prüfen Sie den hinteren Rechtshandschutz (B), um sicherzustellen, dass er nicht beschädigt ist.
- Prüfen Sie den Gashebel und die Gashebelsperre (C), um sicherzustellen, dass sie ordnungsgemäß funktionieren und nicht beschädigt sind.
- Kontrollieren Sie, ob die Tastatur (D) ordnungsgemäß funktioniert.
- Achten Sie darauf, dass sich auf den Griffen (E) kein Öl befindet.
- Kontrollieren Sie, ob alle Teile korrekt befestigt und nicht beschädigt sind und keine Teile fehlen.
- Prüfen Sie den Kettenfänger (F), um sicherzustellen, dass er richtig angebracht ist.
- Prüfen Sie die Kettenspannung (G).
- Laden Sie den Akku (H) und stellen Sie sicher, dass er richtig am Gerät befestigt ist.
- Stellen Sie sicher, dass die Sägekette anhält, wenn Sie den Gashebel drücken. (Abb. 50)

Kettenöl

Alle Husqvarna Motorsägenmodelle sind mit automatischer Kettenschmierung versehen. Bei einigen Modellen kann auch die Öldurchflussmenge eingestellt werden.

Denken Sie an Folgendes, wenn Sie ein Kettenöl auswählen:

(Abb. 51)

- Der Öltank hält etwa drei Akkuladungen. Dies gilt nur, wenn Sie das richtige Kettenöl verwenden. Wenn das Kettenöl zu dünnflüssig ist, hält es nicht solange.
- Sägekettenöl muss gut an der Sägekette haften und im warmen Sommer wie im kalten Winter seine Fließqualität erhalten.
- Verwenden Sie für die herrschende Lufttemperatur ein Öl der richtigen Qualität (mit geeignetem Viskositätsbereich). Bei Lufttemperaturen unter 0 °C können gewisse Öle zu dickflüssig werden. Dies kann zu Überlastung der Ölpumpe führen und hat Schäden an den Pumpenteilen zur Folge.
- Verwenden Sie die empfohlene Schneidausrüstung. Eine zu lange Führungsschiene verbraucht mehr Kettenöl.
- Wenden Sie sich zur Auswahl des Kettenöls an Ihren Servicehändler.



WARNUNG: Verwenden Sie kein Altöl! Altöl ist gefährlich für Sie und die Umwelt. Altöl beschädigt auch die Ölpumpe, Führungsschiene und Sägekette.



WARNUNG: Wenn die Schmierung der Schneidausrüstung nicht ausreicht, kann die Sägekette reißen. Dies kann schwere Verletzungen oder den Tod des Bedieners verursachen.



ACHTUNG: Wenn Sie Kettenöl auf pflanzlicher Basis verwenden, reinigen Sie die Nut in der Führungsschiene und die Sägekette vor der Langzeitaufbewahrung. Ansonsten besteht die Gefahr, dass die Sägekette oxidiert, wodurch die Sägekette steif wird und der Umlenkstern der Führungsschiene blockiert.

Häufig gestellte Fragen über Rückschläge

- **Wird die Hand die Kettenbremse beim Rückschlag stets aktivieren?**

Nein. Sie müssen etwas Kraft aufwenden, um den Handschutz nach vorn zu drücken. Wenn Sie nicht mit der erforderlichen Kraft drücken, kann die Kettenbremse nicht aktiviert werden. Außerdem müssen Sie die Griffe des Geräts während der Arbeit fest mit beiden Händen halten. Wenn es zu einem Rückschlag kommt, kann die Kettenbremse nicht die Sägekette anhalten, bevor sie Sie trifft. Es gibt auch einige Positionen, in denen Ihre Hand nicht an den Handschutz reicht, um die Kettenbremse zu aktivieren.

- **Aktiviert die Trägheitsfunktion stets die Kettenbremse bei einem Rückschlag?**

Nein. Zunächst muss die Kettenbremse ordnungsgemäß funktionieren. Unter *Wartung auf Seite 142* finden Sie Anweisungen zur Überprüfung der Kettenbremse. Wir empfehlen Ihnen, sie vor jedem Gebrauch des Geräts zu überprüfen. Zum anderen muss die Kraft des Rückschlags hoch genug sein, um die Kettenbremse zu aktivieren. Wenn die Kettenbremse zu empfindlich ist, kann sie bei rauhem Motorlauf aktiviert werden.

- **Wird mich die Kettenbremse bei einem Rückschlag stets vor Verletzungen schützen?**

Nein, die Kettenbremse muss richtig funktionieren, um Schutz zu bieten. Die Kettenbremse muss bei einem Rückschlag auch aktiviert werden, damit sie die Kette anhält. Wenn Sie sich in der Nähe der Führungsschiene aufhalten, hat die Kettenbremse u. U. nicht genügend Zeit, die Kette anzuhalten, bevor Sie sie trifft.



WARNUNG: Nur Sie selbst und die richtige Arbeitstechnik können einen Rückschlag verhindern.

So schließen Sie das Akkuladegerät an

1. Das Ladegerät an eine Quelle mit der auf dem Typenschild angegebenen Spannung und Frequenz anschließen.
2. Stecken Sie den Netzstecker in eine geerdete Steckdose.

Hinweis: Der Akku wird nicht aufgeladen, wenn die Akkutemperatur über 50 °C (122 °F) beträgt. In diesem Fall kühlt das Ladegerät den Akku ab.

So laden Sie den Akku

Hinweis: Laden Sie den Akku, wenn Sie ihn zum ersten Mal verwenden. Ein neuer Akku ist nur zu 30 % geladen.

1. Schließen Sie den Akku an das Ladegerät an. (Abb. 52)
2. Stellen Sie sicher, dass die grüne Ladeanzeige auf dem Ladegerät aufleuchtet. Das bedeutet, dass der Akku richtig mit dem Ladegerät verbunden ist. (Abb. 53)
3. Wenn alle LEDs am Akku leuchten, ist er vollständig aufgeladen. (Abb. 54)
4. Um das Ladegerät von der Steckdose zu trennen, ziehen Sie den Netzstecker. Ziehen Sie nicht am Kabel.
5. Nehmen Sie den Akku aus dem Ladegerät.

Hinweis: Weitere Informationen entnehmen Sie bitte den Bedienungsanleitungen für den Akku und das Ladegerät.

Starten des Geräts

1. Kontrollieren Sie den Gashebel und die Gashebelsperre. Siehe *So prüfen Sie die Gashebelsperre auf Seite 144*.
2. Drücken Sie den Handschutz nach vorne, um die Kettenbremse zu aktivieren. (Abb. 38)
3. Legen Sie den Akku in den Akkuhalter ein. (Abb. 55)
4. Drücken Sie auf den unteren Teil des Akkus, bis Sie ein Klicken hören.



ACHTUNG: Wenn der Akku nicht leicht in den Akkuhalter gleitet, ist er nicht richtig in den Akkuhalter eingesetzt.

(Abb. 56)

5. Drücken und halten Sie die Start-/Stoptaste, bis die grüne LED aufleuchtet. (Abb. 57)

So verwenden Sie die SavE-Akkusparfunktion

Dieses Gerät verfügt über die Energiesparfunktion SavE. Die Funktion SavE drosselt die Kettengeschwindigkeit und bietet die längste Betriebsdauer des Akkus.

Hinweis: Die Funktion SavE vermindert nicht die Schneidleistung des Geräts.

1. Drücken Sie die SavE-Taste (Energiespartaste) auf der Tastatur.
2. Stellen Sie sicher, dass die grüne LED aufleuchtet.

3. Drücken Sie die SavE-Taste (Energiespartaste) erneut, um die Funktion zu unterbrechen. Die grüne LED erlischt. (Abb. 58)

Gerät stoppen

1. Drücken und halten Sie die Stopptaste auf der Tastatur, bis die grüne LED ausgeht. (Abb. 57)
2. Ziehen Sie den Akku heraus, und drücken Sie die Akkuentriegelungstaste, um den Akku aus dem Akkufach zu entfernen. (Abb. 59)



WARNUNG: Entfernen Sie den Akku, wenn sie das Gerät nicht verwenden oder es nicht vollständig im Blick haben. So verhindern Sie ein unbeabsichtigtes Starten.

Informationen zu Rückschlägen



WARNUNG: Ein Rückschlag kann schwere Verletzungen des Bedieners oder anderer Personen verursachen. Um das Risiko zu mindern, müssen Sie die Ursachen für Rückschläge kennen und wissen, wie Sie sie vermeiden können.

Ein Rückschlag kann eintreffen, wenn der Rückschlagbereich der Schiene einen Gegenstand berührt. Ein Rückschlag kann plötzlich und mit großer Kraft auftreten, die das Gerät gegen den Bediener schleudert. (Abb. 60)

Ein Rückschlag erfolgt immer in Richtung der Führungsschiene. Normalerweise wird das Gerät gegen den Bediener geschleudert, manchmal aber auch in eine andere Richtung. Sie beeinflussen die Richtung der Bewegung durch Ihr Verhalten beim Auftreten des Rückschlags. (Abb. 61)

Ein Rückschlag tritt nur auf, wenn der Rückschlagbereich der Schiene einen Gegenstand berührt. Sorgen Sie dafür, dass der Rückschlagbereich keine Gegenstände berührt. (Abb. 60)

Ein kleinerer Radius der Schienenspitze verringert die Kraft des Rückschlags.

Verwenden Sie eine Sägekette mit einem niedrigen Rückschlag, um die Auswirkungen des Rückschlags zu mindern. Sorgen Sie dafür, dass der Rückschlagbereich keine Gegenstände berührt.



WARNUNG: Keine Sägekette kann einen Rückschlag vollständig verhindern. Beachten Sie stets die Anweisungen.

So wenden Sie die Schneidtechnik an



WARNUNG: Setzen Sie die volle Leistung beim Schneiden ein, und

reduzieren Sie die Geschwindigkeit nach jedem Schnitt in den Leerlauf.



ACHTUNG: Lassen Sie den Motor nicht zu lange ohne Last laufen. Dies kann den Motor beschädigen.

1. Legen Sie den Stamm auf einen Sägebock o. Ä. (Abb. 62)



WARNUNG: Sägen Sie Stämme nicht stapelweise. Dies erhöht die Gefahr von Rückschlägen und kann zu schweren Verletzungen oder zum Tod führen.

2. Die gesägten Stücke aus dem Arbeitsbereich entfernen.



WARNUNG: Gesägte Stücke im Arbeitsbereich erhöhen die Rückschlaggefahr und es besteht die Gefahr, dass Sie das Gleichgewicht verlieren.

So sägen Sie einen Stamm auf dem Erdboden

1. Durchtrennen Sie den Stamm mit „ziehender“ Kette. Arbeiten Sie bei voller Leistung, aber seien Sie auf plötzliche Unfälle gefasst. (Abb. 63)



WARNUNG: Stellen Sie sicher, dass die Sägekette nicht den Boden berührt, nachdem Sie den Stamm durchgesägt haben.

2. Stoppen Sie, nachdem Sie rund zwei Drittel durch den Stamm gesägt haben. Drehen Sie den Stamm, um von der gegenüberliegenden Seite hineinzusägen. (Abb. 64)

So sägen Sie einen Stamm, der an einem Ende gestützt wird



WARNUNG: Stellen Sie sicher, dass der Stamm während des Sägens nicht bricht. Befolgen Sie die folgenden Anweisungen.

(Abb. 65)

1. Sägen Sie mit „schiebender“ Kette ca. $\frac{1}{3}$ durch den Stamm.
2. Durchtrennen Sie den Stamm mit „ziehender“ Kette, bis die beiden Kerben sich berühren. (Abb. 66)

So sägen Sie einen Stamm, der an zwei Enden gestützt wird



WARNUNG: Stellen Sie sicher, dass die Sägekette beim Sägen nicht im Stamm hängen bleibt. Befolgen Sie die folgenden Anweisungen.

(Abb. 67)

1. Sägen Sie mit „ziehender“ Kette ca. $\frac{1}{3}$ durch den Stamm.
2. Durchtrennen Sie den restlichen Teil des Stamms mit „schiebender“ Kette. (Abb. 68)



WARNUNG: Schalten Sie den Motor ab, wenn die Sägekette im Stamm hängen bleibt. Verwenden Sie einen Hebel, um den Schnitt zu öffnen und entfernen Sie das Gerät. Versuchen Sie nicht, das Gerät mit der Hand herauszuziehen. Wenn das Gerät plötzlich ausbricht, kann es zu Verletzungen kommen.

So verwenden Sie die Entastungstechnik

Hinweis: Wenden Sie die Sägetechnik bei dicken Ästen an. Siehe *So wenden Sie die Schneidtechnik an auf Seite 139*.



WARNUNG: Bei Anwendung der Entastungstechnik besteht ein hohes Unfallrisiko. Siehe *Informationen zu Rückschlägen auf Seite 139* für Anweisungen zur Vermeidung eines Rückschlags.



WARNUNG: Sägen Sie einen Ast nach dem anderen ab. Seien Sie besonders vorsichtig, wenn Sie kleine Äste sägen, und sägen Sie keine Büsche oder viele kleine Äste gleichzeitig ab. Kleine Äste können sich in der Sägekette verfangen und damit ist ein sicherer Betrieb des Geräts nicht mehr gewährleistet.

Hinweis: Sägen Sie die Äste Stück für Stück, wenn es erforderlich ist. (Abb. 69)

1. Entfernen Sie die Äste auf der rechten Seite des Stamms.
 - a) Halten Sie die Führungsschiene auf der rechten Seite des Stamms, und drücken Sie den Gerätekörper gegen den Stamm.

- b) Wählen Sie die gewünschte Sägetechnik, je nach Spannung im Ast. (Abb. 70)



WARNUNG: Wenn Sie sich beim Sägen des Astes nicht sicher sind, sprechen Sie mit einem erfahrenen Motorsägenbediener, bevor Sie fortfahren.

2. Entfernen Sie die Äste auf der Oberseite des Stammes.
 - a) Lassen Sie das Gerät auf dem Stamm und die Führungsschiene am Stamm entlang wandern.
 - b) Sägen Sie mit „schiebender“ Kette. (Abb. 71)
3. Entfernen Sie die Äste auf der linken Seite des Stamms.
 - a) Wählen Sie die gewünschte Sägetechnik, je nach Spannung im Ast. (Abb. 72)



WARNUNG: Wenn Sie sich beim Sägen des Astes nicht sicher sind, sprechen Sie mit einem erfahrenen Motorsägenbediener, bevor Sie fortfahren.

Siehe *Sägen in Baumstämmen und Ästen, die unter Spannung stehen auf Seite 142* für Anweisungen zum Sägen von Ästen, die unter Spannung stehen.

So verwenden Sie die Baumfälltechnik



WARNUNG: Das Fällen eines Baums setzt ein gewisses Maß an Erfahrung voraus. Nehmen Sie nach Möglichkeit an einem Kurs zum Bedienen von Motorsägen teil. Sprechen Sie mit einem erfahrenen Bediener, um nötiges Wissen zu erwerben.

So halten Sie einen ausreichenden Sicherheitsabstand ein

1. Stellen Sie sicher, dass Personen in Ihrem Umfeld einen ausreichenden Sicherheitsabstand von mindestens $2 \frac{1}{2}$ Baumängen einhalten. (Abb. 73)
2. Stellen Sie sicher, dass keine Person sich vor oder während dem Fällen im Gefahrenbereich aufhält. (Abb. 74)

So berechnen Sie die Fällrichtung

1. Überprüfen Sie, in welche Richtung der Baum fallen soll. Das Ziel ist, den Baum in eine Position zu fällen, in der Sie den Stamm leicht entasten und zerkleinern können. Wichtig ist auch, dass sie stabil auf den Füßen stehen und sich sicher bewegen können.



WARNUNG: Wenn es gefährlich oder nicht möglich ist, den Baum in seine natürliche Richtung zu fällen, dann fällen Sie ihn in eine andere Richtung.

- Überprüfen Sie die natürliche Fallrichtung des Baumes. Zum Beispiel die Neigung und Biegung des Baumes, die Windrichtung, die Position der Äste und das Gewicht von Schnee.
- Prüfen Sie, ob es Hindernisse vorhanden sind, z. B. andere Bäume, Stromleitungen, Straßen und/oder Gebäude.
- Untersuchen Sie den Stamm auf Schäden und Fäulnis.



WARNUNG: Fäulnis im Stamm kann ein Risiko bedeuten, dass der Baum fällt, bevor Sie mit dem Sägen fertig sind.

- Stellen Sie sicher, dass der Baum keine beschädigten oder abgestorbenen Äste hat, die abbrechen und Sie beim Fällen treffen können.
- Lassen Sie den Baum nicht auf einen anderen stehenden Baum fallen. Es ist gefährlich, einen Baum zu entfernen, der sich beim Fällen verfangen hat. Es besteht sehr große Unfallgefahr. Siehe *So befreien Sie einen eingeklemmten Baum auf Seite 142*. (Abb. 75)



WARNUNG: Bei gefährlichen Fällarbeiten nehmen Sie den Gehörschutz sofort nach dem Sägen ab. Es ist wichtig, dass Sie Geräusche und Warnsignale hören.

So entfernen Sie Äste im unteren Stammbereich und bereiten Ihren Rückzugsweg vor

Sägen Sie alle Äste auf Schulterhöhe oder unterhalb davon.

- Sägen Sie mit ziehender Kette von oben nach unten. Stellen Sie sicher, dass sich der Baum zwischen Ihnen und dem Gerät befindet. (Abb. 76)
 - Entfernen Sie Unterholz aus dem Arbeitsbereich um den Baum. Entfernen Sie alle gesägten Teile aus dem Arbeitsbereich.
 - Führen Sie eine Überprüfung des Bereichs auf Hindernisse wie Steine, Äste und Löcher durch. Sie müssen einen freien Rückzugsweg haben, wenn der Baum zu fallen beginnt. Der Rückzugsweg muss ungefähr 135 Grad schräg hinter der geplanten Fällrichtung des Baumes liegen.
- Der Gefahrenbereich
 - Der Rückzugsweg
 - Die Fällrichtung

(Abb. 77)

So fällen Sie einen Baum

Husqvarna empfiehlt Ihnen, die Kerbschnitte zu machen und zum Fällen des Baumes die „Safe Corner“-Methode

anzuwenden. Mit der „Safe Corner“-Methode können Sie das korrekte Brechmaß bestimmen und die Fallrichtung steuern.



WARNUNG: Fällern Sie keine Bäume mit einem Durchmesser, der mehr als doppelt so groß wie die Länge der Führungsschiene ist. Hierzu müssen Sie über eine Spezialausbildung verfügen.

So machen Sie Kerbschnitte

- Machen Sie Kerbschnitte. Nehmen Sie die Kerbschnitte durch 1/4 des Baumdurchmessers vor. Legen Sie einen 45 ° -Winkel zwischen dem oberen und dem unteren Schnitt an.
 - Machen Sie zuerst den Sägeschnitt von oben. Richten Sie die Fällrichtungsmarkierung (A) des Geräts an der Fällrichtung des Baumes (B) aus. Bleiben Sie hinter dem Gerät und halten Sie den Baum auf der rechten Seite. Sägen Sie mit ziehender Kette.
 - Machen Sie die unteren Schnitt. Stellen Sie sicher, dass das Ende des unteren Schnitts an der gleichen Stelle wie das Ende des Sägeschnitts von oben ist. (Abb. 78)
- Stellen Sie sicher, dass die Kerbschnittlinie genau waagrecht ist und im rechten Winkel (90 °) zur Fallrichtung steht. Die Kerbschnittlinie geht durch den Punkt, wo die beiden Kerbschnitte sich berühren. (Abb. 79)

So machen Sie Fällschnitte

Hinweis: Der Fällschnitt wird auf der gegenüberliegenden Seite des Baum von den Kerbschnitten aus geführt.

- Machen Sie den Fällschnitt ungefähr 3–5 cm oberhalb der Horizontalebene der Kerbschnitte. Der Schnitt muss absolut waagrecht sein. (Abb. 80)
- Wenn Sie eine Rindenstütze haben, setzen Sie sie hinter dem Brechmaß an.
- Sägen Sie mit ziehender Kette und mit voller Leistung und senken Sie die Sägekette/ Führungsschiene langsam in den Baum. Achten Sie darauf, dass der Baum nicht in einer unerwünschte Richtung fällt.
- Treiben Sie einen Keil oder einen Fällheber in den Schnitt, wenn der Schnitt die exakte Tiefe hat. (Abb. 81)
- Führen Sie den Fällschnitt parallel zur Kerbschnittlinie. Stellen Sie sicher, dass der Abstand dazwischen mindestens 1/10 des Stammdurchmessers beträgt. Der Abschnitt des Stamms, der nicht gesägt wird, ist das Brechmaß. Das Brechmaß kontrolliert die Fällrichtung. (Abb. 82)



WARNUNG: Sie haben keinen Einfluss auf die Fällrichtung, wenn das Brechmaß nicht mehr vorhanden oder zu dünn ist. Dies gilt auch, wenn Sie die Kerbschnitte und den Fällschnitt nicht korrekt vorgenommen haben.

(Abb. 83)

6. Dann wird der Baum durch eine eigene Kraft oder mit Hilfe eines Keils oder Fällhebers fallen. (Abb. 84)

Hinweis: Verwenden Sie eine Führungsschielenlänge, die länger als der Baumdurchmesser ist. Dann können Sie den Fällschnitt und die Kerbschnitte mit einem Sägeschnitt anbringen. Siehe *Zubehör auf Seite 150* um herauszufinden, welche Schielenlängen wir Ihnen für Ihr Gerät empfehlen.

(Abb. 85)

So befreien Sie einen eingeklemmten Baum



WARNUNG: Es ist sehr gefährlich, einen Baum zu entfernen, der sich beim Fällen verfangen hat. Es besteht sehr große Unfallgefahr. Bleiben Sie außerhalb der Gefahrenzone und versuchen Sie nicht, einen eingeklemmten Baum zu fällen.

(Abb. 86)

Die sicherste Methode ist, eine der folgenden Winden zu verwenden:

- Am Traktor (Abb. 87)
- Tragbar (Abb. 88)

Sägen in Baumstämmen und Ästen, die unter Spannung stehen

1. Finden Sie heraus, welche Seite des Baumstamms oder Asts unter Spannung steht.

2. Finden Sie heraus, an welchem Punkt die Spannung am stärksten ist. (Abb. 89)
3. Prüfen Sie, welches die sichersten Verfahren sind, um die Spannung zu lösen.

Hinweis: In manchen Fällen ist das einzig sichere Verfahren die Benutzung einer Winde und nicht Ihres Geräts.

4. Halten Sie sich dort auf, wo der Baumstamm oder Ast Sie nicht treffen kann, wenn die Spannung gelöst ist. (Abb. 90)
5. Machen Sie einen oder mehrere Schnitte so tief wie erforderlich, um die Spannung zu verringern. Sägen Sie am oder in der Nähe des Punktes mit der stärksten Spannung. Lassen Sie den Baumstamm oder Ast an dem Punkt mit der stärksten Spannung brechen. (Abb. 91)



WARNUNG: Sägen Sie einen Baumstamm, der unter Spannung steht, nie einfach durch.



WARNUNG: Sägen Sie sehr vorsichtig beim Schneiden von Bäumen, die unter Spannung stehen. Es besteht die Gefahr, dass sich der Baum vor oder nach dem Sägen schnell bewegt. Es kann zu schweren Verletzungen kommen, wenn Sie sich in der falschen Position befinden oder wenn Sie falsch sägen.

6. Wenn Sie durch den Baum/Ast sägen müssen, bringen Sie 2 bis 3 Sägeschnitte im Abstand von ca. 2,5 cm und mit einer Tiefe von ca. 5 cm an. (Abb. 92)
7. Sägen Sie weiter in den Stamm, bis der Stamm/Ast sich biegt und die Spannung gelöst ist. (Abb. 93)
8. Sägen Sie den Baum/Ast von der anderen Seite der Biegung, nachdem die Spannung gelöst ist.

Wartung

Einleitung



WARNUNG: Lesen Sie vor dem Warten des Geräts das Kapitel über Sicherheit, und machen Sie sich damit vertraut.

Wartungsplan



WARNUNG: Entfernen Sie den Akku, bevor Sie Wartungsarbeiten durchführen.

Nachstehend sind die am Gerät vorzunehmenden Wartungsmaßnahmen aufgelistet. Siehe *Wartung auf Seite 142* für weitere Informationen.

Wartung	Vor der Verwendung	Wöchentlich	Monatlich
Reinigen Sie die äußeren Bauteile des Geräts.	X		
Stellen Sie sicher, dass der Gashebel und die Gashebelsperre sicherheitstechnisch ordnungsgemäß funktionieren.	X		
Reinigen Sie die Kettenbremse und stellen Sie sicher, dass die Bremse ordnungsgemäß funktioniert. Vergewissern Sie sich, dass der Kettenfänger nicht beschädigt ist. Tauschen Sie ihn bei Bedarf aus.	X		
Drehen Sie die Führungsschiene, um für gleichmäßigeren Verschleiß zu sorgen. Stellen Sie sicher, dass die Schmierbohrung in der Führungsschiene nicht verstopft ist. Die Kettennut reinigen.	X		
Achten Sie darauf, dass die Schneidusrüstung und die Schutzvorrichtung keine Risse aufweisen und nicht beschädigt sind. Tauschen Sie die Schneidusrüstung oder die Schutzvorrichtung aus, wenn sie Risse aufweisen oder Stößen ausgesetzt waren.	X		
Stellen Sie sicher, dass die Führungsschiene und die Sägekette ausreichend geölt sind.	X		
Überprüfen Sie die Sägekette. Untersuchen Sie sie auf Risse und stellen Sie sicher, dass die Sägekette nicht starr oder unnormal verschlissen ist. Tauschen Sie sie bei Bedarf aus.	X		
Schärfen Sie die Sägekette. Kontrollieren Sie die Spannung und den Zustand. Überprüfen Sie das Kettenantriebsrad auf Verschleiß und ersetzen Sie es gegebenenfalls.	X		
Reinigen Sie den Luftenlass am Gerät.	X		
Vergewissern Sie sich, dass alle Schrauben und Muttern fest angezogen sind.	X		
Stellen Sie sicher, dass die Tastatur ordnungsgemäß funktioniert und unbeschädigt ist.	X		
Verwenden Sie eine Feile, um Grate an den Kanten der Führungsschiene zu entfernen.		X	
Überprüfen Sie die Verbindungen zwischen dem Akku und dem Gerät durch. Überprüfen Sie die Verbindung zwischen dem Akku und dem Ladegerät.			X
Öltank leeren und innen reinigen.			X
Blasen Sie das Produkt und die Kühlrippen des Akkus leicht mit Druckluft durch.			X

Wartung und Prüfung der Sicherheitseinrichtungen auf dem Gerät

So prüfen Sie den Handschutz

Prüfen Sie regelmäßig den Handschutz und die Trägheitsfunktion.

1. Kontrollieren Sie, ob der Handschutz unbeschädigt ist, er darf keine Defekte wie z.B. Risse aufweisen. (Abb. 94)

2. Stellen Sie sicher, dass der Handschutz sich frei bewegen lässt und sicher am Gerät befestigt ist. (Abb. 95)
3. Halten Sie das Gerät mit abgeschaltetem Motor über einen Baumstumpf oder einen anderen stabilen Gegenstand.
4. Halten Sie den hinteren Griff und lassen Sie den vorderen Handgriff los. Lassen Sie das Gerät auf den Baumstumpf fallen. (Abb. 96)
5. Stellen Sie sicher, dass die Kettenbremse aktiviert wird, sobald die Führungsschiene auf dem Baumstumpf aufschlägt.

So kontrollieren Sie die Handbremse

1. Stellen Sie das Gerät auf stabilen Untergrund und starten Sie es. Siehe *Einleitung auf Seite 137*.



WARNUNG: Stellen Sie sicher, dass die Sägekette nicht den Erdboden oder andere Gegenstände berührt.

2. Legen Sie Ihre Finger und Daumen um die Griffe und halten Sie das Gerät fest. (Abb. 37)
3. Lassen Sie das Gerät auf voller Leistung laufen und drücken Sie Ihr linkes Handgelenk gegen den Handschutz, um die Kettenbremse zu aktivieren. Die Sägekette muss sofort stoppen. (Abb. 97)



WARNUNG: Lassen Sie den vorderen Handgriff nicht los!

So prüfen Sie die Gashebelsperre

1. Prüfen Sie, ob sich der Gashebel und die Gashebelsperre frei bewegen lassen und ob die Rückholfeder korrekt funktioniert. (Abb. 98)
2. Drücken Sie die Gashebelsperre herunter und kontrollieren Sie, ob sie beim Loslassen in die Ausgangsstellung zurückkehrt. (Abb. 99)
3. Stellen Sie sicher, dass der Gashebel in der Leerlaufposition verriegelt ist, wenn die Gashebelsperre freigegeben wird. (Abb. 100)
4. Starten Sie das Gerät und lassen es auf voller Leistung laufen.
5. Lassen Sie den Gashebel los, und prüfen Sie, ob die Sägekette stoppt und stehen bleibt. Dreht sich die Sägekette, wenn der Gashebel in Leerlaufstellung steht, wenden Sie sich an Ihren Servicehändler.

So prüfen Sie den Kettenfänger

1. Kontrollieren Sie, ob der Kettenfänger unbeschädigt ist.
2. Stellen Sie sicher, dass der Kettenfänger stabil und am Körper des Geräts angebracht ist. (Abb. 41)

So prüfen Sie die Tastatur

1. Starten Sie das Gerät. Siehe *Betrieb auf Seite 137*
2. Drücken Sie erneut die Start-/Stopptaste.
3. Stellen Sie sicher, dass das Gerät anhält, wenn Sie die Taste drücken und halten. Die grüne LED erlischt. (Abb. 57)

So überprüfen Sie den Akku und das Akkufach

1. Reinigen Sie den Akku und das Akkufach des Geräts mit einer weichen Bürste. (Abb. 101)
2. Stellen Sie sicher, dass die Kühlrippen und Akkustecker sauber sind.

3. Stellen Sie sicher, dass der Akku nicht beschädigt oder verformt ist und dass keine sonstige Schäden wie zum Beispiel Risse vorhanden sind. (Abb. 102)

Kontrollieren Sie das Akkuladegerät

1. Stellen Sie sicher, dass das Akkuladegerät und das Netzkabel nicht beschädigt sind. Suchen Sie nach Rissen und anderen Schäden.

So reinigen Sie das Kühlsystem

Das Gerät ist mit einem Kühlsystem ausgestattet, um die Temperatur des Geräts so gering wie möglich zu halten.

Das Kühlsystem besitzt unter anderem einen Lufteinlass auf der linken Seite des Geräts und ein Lüfter am Motor.

1. Reinigen Sie das Kühlsystem wöchentlich oder bei Bedarf häufiger mit einer Bürste. (Abb. 103)
2. Stellen Sie sicher, dass das Kühlsystem nicht verschmutzt oder verstopft ist.



ACHTUNG: Eine Verschmutzung oder Verstopfung des Kühlsystems kann das Gerät zu heiß werden lassen. Dies kann Schäden an Zylinder und Kolben zur Folge haben.

So schärfen Sie die Sägekette

So montieren Sie die Führungsschiene und die Sägekette



WARNUNG: Tragen Sie Schutzhandschuhe, wenn Sie an der Sägekette eine Wartung durchführen oder sie verwenden. Eine Sägekette, die sich nicht bewegt, kann auch zu Verletzungen führen.

Tauschen Sie abgenutzte oder beschädigte Führungsschienen und Sägeketten mit den von Husqvarna empfohlenen Kombinationen von Führungsschienen und Sägeketten aus. Dies ist notwendig, damit die Sicherheitsfunktionen des Geräts ordnungsgemäß arbeiten. Unter *Zubehör auf Seite 150* finden Sie eine Liste der von uns empfohlenen Ersatzschienen-/Kettenkombinationen.

- Länge der Führungsschiene in cm Informationen über die Länge der Führungsschiene können in der Regel am hinteren Ende der Führungsschiene finden. (Abb. 104)
- Anzahl Zähne des Umlenksterns (T). (Abb. 105)
- Kettenlänge, Zoll. Der Abstand zwischen den Treibgliedern der Sägekette muss dem Abstand zwischen den Zähnen auf dem Umlenkstern und dem Kettenantriebsrad angepasst sein. (Abb. 106)

- Anzahl Treibglieder (St.). Die Anzahl der Treibglieder hängt von der Art der Führungsschiene ab.(Abb. 107)
 - Nutbreite der Schiene, mm. Die Nutbreite der Schiene muss identisch mit der Breite der Treibglieder der Kette sein.(Abb. 108)
 - Loch für Kettenöl und Loch für Kettenspannzapfen. Die Führungsschiene muss am Gerät ausgerichtet sein.(Abb. 109)
 - Treibgliedbreite (mm)(Abb. 110)
3. Fahren Sie mit der Feile von der Innenseite der Schneidezähne heraus. Heben Sie die Feile beim Zurückziehen an. (Abb. 117)
 4. Entfernen Sie Material von der einen Seite aller Schneidezähne.
 5. Drehen Sie das Gerät um und entfernen Sie Material von den Zähnen auf der anderen Seite.
 6. Stellen Sie sicher, dass alle Schneidezähne die gleiche Länge haben.

Allgemeine Informationen zum Schärfen der Zähne

Verwenden Sie keine stumpfe Sägekette. Wenn die Sägekette stumpf ist, müssen Sie mehr Druck ausüben, um die Führungsschiene durch das Holz zu drücken. Wenn die Sägekette sehr stumpf ist, gibt es keine Holzspäne, sondern Sägemehl.

Eine scharfe Sägekette frisst sich durch das Holz, und die Holzspäne werden lang und dick.

Der Schneidezahn (A) und die Tiefenlehre (B) bilden zusammen das sägende Element der Sägekette. Der Höhenunterschied zwischen den beiden sorgt für die Schnitttiefe (Tiefenbegrenzerabstand).(Abb. 111)

Wenn Sie den Zahn schärfen, bedenken Sie Folgendes:

- Schärfwinkel.(Abb. 112)
- Schnittwinkel.(Abb. 113)
- Schärfposition.(Abb. 114)
- Durchmesser der Rundfeile.(Abb. 115)

Ohne Hilfsmittel ist es nicht leicht, eine Sägekette korrekt zu schärfen. Verwenden Sie Husqvarna Schärflehre. Dies hilft Ihnen, die maximale Schnittleistung zu erhalten und die Rückschlaggefahr auf ein Minimum zu reduzieren.



WARNUNG: Die Intensität des Rückschlags erhöht sich erheblich, wenn Sie die Anweisungen zum Schärfen nicht befolgen.

Hinweis: Unter *So schärfen Sie die Schneidezähne auf Seite 145* finden Sie weitere Informationen zum Schärfen der Sägekette.

So schärfen Sie die Schneidezähne

1. Verwenden Sie eine Rundfeile und eine Feilenlehre zum Schärfen der Schneidezähne. (Abb. 116)

Hinweis: Unter *Zubehör auf Seite 150* finden Sie Informationen dazu, welche Feile und Lehre Husqvarna für Ihre Sägekette empfiehlt.

2. Wenden Sie die Feilenlehre richtig auf das Schneidwerk an. Siehe die Anweisungen im Lieferumfang der Feilenlehre.

3. Fahren Sie mit der Feile von der Innenseite der Schneidezähne heraus. Heben Sie die Feile beim Zurückziehen an. (Abb. 117)
4. Entfernen Sie Material von der einen Seite aller Schneidezähne.
5. Drehen Sie das Gerät um und entfernen Sie Material von den Zähnen auf der anderen Seite.
6. Stellen Sie sicher, dass alle Schneidezähne die gleiche Länge haben.

Allgemeine Informationen zum Anpassen des Tiefenbegrenzerabstands

Der Tiefenbegrenzerabstand (C) nimmt ab, wenn Sie den Schneidezahn (A) schärfen. Um die maximale Schneidleistung zu erhalten, müssen Sie Feilmaterial von der Tiefenbegrenzerlehre (B) entfernen, um den empfohlenen Tiefenbegrenzerabstand einzuhalten. Siehe *Zubehör auf Seite 150* für weitere Informationen zum korrekten Tiefenbegrenzerabstand für Ihre Sägekette.

(Abb. 118)



WARNUNG: Die Rückschlaggefahr nimmt zu, wenn der Tiefenbegrenzerabstand zu groß ist!

So justieren Sie die Tiefenbegrenzeinstellung

Bevor Sie den Tiefenbegrenzerabstand einstellen oder die Schneidezähne schärfen, lesen Sie die Anweisungen unter *So schärfen Sie die Schneidezähne auf Seite 145*. Wir empfehlen, den Tiefenbegrenzerabstand nach jeder dritten Sägekettenschärfung einzustellen.

Wir empfehlen die Verwendung unserer Schärflehre für den Tiefenbegrenzerabstand, um das korrekte Maß und den richtigen Winkel für die Tiefenbegrenzerlehre zu erhalten.

(Abb. 119)

1. Verwenden Sie eine Flachfeile und eine Schärflehre zum Einstellen des Tiefenbegrenzerabstands. Verwenden Sie nur die Husqvarna Schärflehre für den Tiefenbegrenzerabstand, um das korrekte Maß und den richtigen Winkel für den Tiefenbegrenzer zu erhalten.
2. Setzen Sie die Schärflehre auf die Sägekette.

Hinweis: Auf der Verpackung der Schärflehre finden Sie weitere Informationen zur Verwendung des Werkzeugs.

3. Verwenden Sie die Flachfeile, um den Teil des Tiefenbegrenzers zu entfernen, der durch die Schärflehre reicht. (Abb. 120)

So spannen Sie die Sägekette



WARNUNG: Eine nicht korrekt gespannte Sägekette kann sich von der Führungsschiene lösen und schwere Verletzungen oder Tod verursachen.

Je öfter man eine Sägekette benutzt, desto länger wird sie. Es ist wichtig, dass Sie die Sägekette regelmäßig adjustieren.

Kontrollieren Sie die Sägekettenspannung jedes Mal, wenn Sie Kettenöl nachfüllen.

Hinweis: Eine neue Sägekette muss eine gewisse Zeit eingefahren werden, in der Sie die Sägekettenspannung öfter kontrollieren müssen.

1. Den Knauf durch Herausklappen lösen, bis er aufschnappt. (Abb. 121)
2. Durch Drehen des Knaufs gegen den Uhrzeigersinn wird die Abdeckung des Kettenantriebsrads gelöst. (Abb. 122)
3. Drehen Sie die Kettenspannrolle zum Einstellen der Spannung an der Sägekette. Die Sägekette muss fest an der Führungsschiene anliegen. (Abb. 123)

Hinweis: Drehen Sie das Rad nach unten (+), um die Spannung zu erhöhen, und nach oben (-) um die Spannung zu verringern. Die Sägekette ist korrekt angezogen, wenn sie sich leicht von Hand drehen lässt, jedoch fest an der Führungsschiene sitzt.

4. Durch Drehen des Knaufs im Uhrzeigersinn wird die Spannmutter angezogen. (Abb. 124)
5. Klappen Sie den Knauf nach unten, um die Spannung zu sichern. (Abb. 125)

So prüfen Sie die Schmierung der Sägekette

Kontrollieren Sie die Schmierung der Sägekette bei jedem dritten Laden des Akkus.

1. Starten Sie das Gerät, und lassen Sie es mit 3/4-Leistung laufen. Halten Sie die Schiene ca. 20 cm über eine helle Fläche.
2. Wenn die Schmierung der Sägekette korrekt ist, sehen Sie nach 1 Minute eine durchsichtige Ölspur an der Oberfläche. (Abb. 126)
3. Wenn die Schmierung der Sägekette nicht korrekt ist, führen Sie die folgenden Überprüfungen durch.
 - a) Prüfen Sie die Ölleitung in der Führungsschiene, um sicherzustellen, dass sie nicht blockiert ist. Reinigen Sie sie bei Bedarf. (Abb. 127)

- b) Prüfen Sie die Nut in der Kante der Führungsschiene, um sicherzustellen, dass sie sauber ist. Reinigen Sie sie bei Bedarf. (Abb. 128)
 - c) Kontrollieren Sie, ob der Umlenkstern der Führungsschiene sich leicht bewegen lässt und sein Schmierloch offen ist. Bei Bedarf reinigen und schmieren. (Abb. 129)
4. Wenn die Kettenschmierung nicht funktioniert, nachdem Sie die oben beschriebenen Schritte befolgt haben, sprechen Sie mit Ihrem Servicehändler.

So warten Sie das Kettenantriebsrad

Das Antriebssystem besitzt ein Kettenantriebsrad.

(Abb. 130)

Führen Sie die folgenden Wartungsarbeiten am Kettenantriebsrad durch:

1. Überprüfen Sie regelmäßig den Verschleiß des Kettenantriebsrads. Ersetzen Sie das Kettenantriebsrad bei zu viel Verschleiß.
2. Ersetzen Sie das Kettenantriebsrad bei jedem Wechsel der Sägekette.

So prüfen Sie die Schneidausrüstung

1. Stellen Sie sicher, dass es keine Risse an den Nieten und Gliedern gibt und dass keine Nieten locker sind. Tauschen Sie sie bei Bedarf aus. (Abb. 131)
2. Sorgen Sie dafür, dass die Sägekette einfach zu biegen ist. Tauschen Sie die Sägekette aus, wenn sie zu starr ist.
3. Vergleichen Sie die Sägekette mit einer neuen Kette, um herauszufinden, ob Nieten und Glieder abgenutzt sind.
4. Tauschen Sie die Sägekette aus, wenn der längste Teil des Schneidezahns weniger als 4 mm lang ist. Tauschen Sie die Sägekette auch bei Rissen am Schneidewerkzeug aus. (Abb. 132)

So prüfen Sie die Führungsschiene

1. Stellen Sie sicher, dass die Ölleitung nicht verstopft ist. Reinigen Sie sie, falls dies notwendig ist. (Abb. 127)
2. Prüfen Sie, ob sich an den Kanten der Führungsschiene Grate gebildet haben. Entfernen Sie Grate mit einer Feile. (Abb. 133)
3. Reinigen Sie die Nut in der Führungsschiene. (Abb. 128)
4. Überprüfen Sie die Nut in der Führungsschiene auf Verschleiß. Tauschen Sie die Führungsschiene aus wenn nötig. (Abb. 134)
5. Prüfen Sie, ob die Führungsschienspitze rau oder stark abgenutzt ist. (Abb. 135)

6. Kontrollieren Sie, ob der Umlenkstern der Führungsschiene sich leicht bewegen lässt und sein Schmierloch offen ist. Reinigen und schmieren Sie ihn bei Bedarf. (Abb. 129)

7. Drehen Sie die Führungsschiene täglich zur Verlängerung der Lebensdauer. (Abb. 136)

Fehlerbehebung

Problemlösung

Table

Mögliche Fehlercodes auf der Tastatur des Geräts.

LED-Anzeige	Mögliche Fehler	Mögliche Fehlerbehebung
Warnanzeige blinkt.	Kettenbremse aktiviert.	Ziehen Sie den vorderen Handschutz zurück, um die Kettenbremse freizugeben.
	Temperaturabweichung.	Warten Sie, bis sich das Gerät abgekühlt hat.
	Überlastung Schneidausrüstung ist verklemmt.	Die Schneidausrüstung ist verklemmt. Schneidausrüstung abnehmen.
	Der Gashebel und die Starttaste werden gleichzeitig gedrückt.	Wenn Sie den Gashebel loslassen, startet das Gerät.
Grüne LED des Einschaltknopfes blinkt.	Geringe Akkuspannung.	Laden Sie den Akku.
Warnanzeige leuchtet.	Service.	Wenden Sie sich an Ihren Servicehändler.

Table

Fehlerbehebung des Akkus und/oder des Ladegeräts bei der Aufladung.

LED-Anzeige	Mögliche Fehler	Mögliche Fehlerbehebung
Warnanzeige blinkt.	Der Akku ist entladen.	Laden Sie den Akku.
	Temperaturabweichung.	Der Akku darf nur in Umgebungen mit Temperaturen zwischen -10 °C und 40 °C verwendet werden.
	Überspannung.	Kontrollieren Sie, ob die Netzspannung mit der auf dem Geräteschild angegebenen übereinstimmt. Den Akku aus dem Ladegerät entnehmen.
Warnanzeige leuchtet.	Die Zellendifferenz ist zu groß (1 V).	Wenden Sie sich an Ihren Servicehändler.

Tabelle

LED-Anzeige	Mögliche Fehler	Mögliche Fehlerbehebung
Warnanzeige blinkt.	Temperaturabweichung.	Der Akku darf nur in Umgebungen mit Temperaturen zwischen 5 °C und 40 °C verwendet werden.
Warnanzeige leuchtet.		Wenden Sie sich an Ihren Servicehändler.

Transport, Lagerung und Entsorgung

Transport und Lagerung

- Die mitgelieferten Lithium-Ionen-Akkus entsprechen den Anforderungen des Gefahrgutrechts.
- Beachten Sie für den gewerblichen Transport, auch durch Dritte oder Speditionen, die gesonderten Anforderungen auf Verpackung und Etiketten.
- Sprechen Sie sich, bevor Sie das Gerät versenden, mit einer Person ab, die speziell im Gefahrgutversand geschult ist. Beachten Sie sämtliche geltende nationale Vorschriften.
- Bedecken Sie offene Kontakte mit Klebeband, wenn Sie den Akku in eine Verpackung legen. Stellen Sie sicher, dass der Akku in der Verpackung nicht verrutschen kann.
- Entnehmen Sie den Akku für die Lagerung oder den Transport.
- Bringen Sie den Akku und das Ladegerät an einem Ort unter, der trocken und frei von Feuchtigkeit und Frost ist.
- Lagern Sie den Akku nicht an einem Ort, an dem es zu elektrostatischen Entladungen kommen kann. Bewahren Sie den Akku nicht in einem Metallkasten auf.
- Stellen Sie bei der Lagerung des Akkus sicher, dass die Temperatur zwischen 5 °C/41 °F und 25 °C/77 °F liegt und der Akku keinem direkten Sonnenlicht ausgesetzt ist.
- Stellen Sie bei der Lagerung des Akkuladegeräts sicher, dass die Temperatur zwischen 5 °C/41 °F und 45 °C/113 °F liegt und das Ladegerät keinem direkten Sonnenlicht ausgesetzt ist.
- Das Ladegerät darf nur verwendet werden, wenn die Umgebungstemperatur zwischen 5 °C/41 °F und 40 °C/104 °F liegt.

- Laden Sie den Akku auf 30 bis 50 %, bevor Sie ihn über längere Zeit einlagern.
- Lagern Sie das Akkuladegerät in einem geschlossenen und trockenen Raum.
- Achten Sie bei der Lagerung darauf, dass sich der Akku nicht in unmittelbarer Nähe zum Ladegerät befindet. Kinder und andere nicht befugte Personen dürfen die Ausstattung nicht berühren. Verwahren Sie die Ausstattung in einem abschließbaren Raum.
- Reinigen Sie das Gerät und führen Sie umfassende Servicearbeiten durch, bevor Sie es längere Zeit einlagern.
- Verwenden Sie für das Gerät einen Transportschutz, um Verletzungen oder Schäden am Gerät bei Transport und Lagerung zu vermeiden.
- Befestigen Sie das Gerät während des Transports sicher.

Entsorgung von Akku, Ladegerät und Gerät

Das Symbol unten bedeutet, dass das Gerät nicht über den Hausmüll entsorgt werden darf. Recyceln Sie es an einer Recyclingstation für elektrische und elektronische Geräte. So werden Umwelt- und Personenschäden vermieden.

Weitere Informationen erhalten Sie bei örtlichen Behörden, dem Abfallentsorgungsunternehmen oder Ihrem Händler.

(Abb. 21)

Hinweis: Das Symbol ist auf dem Gerät oder der Verpackung des Geräts zu finden.

Technische Angaben

Technische Daten

	120i
Plattform	CS100EU
Motor	
Typ	BLDC (bürstenlos) 36 V
Merkmale	
Energiesparmodus	savE
Schmiersystem	
Ölpumpe, Typ	Automatisch
Volumen des Öltanks, Liter	0,20
Gewicht	
Motorsäge ohne Akku, Führungsschiene, Sägekette und mit leerem Kettenöltank, kg	2,95
Geräuschemissionen ¹⁶	
Schalleistungspegel, gemessen dB(A)	98
Schalleistungspegel, garantiert L _{WA} dB(A)	101
Lautstärke ¹⁷	
Äquivalenter Schalldruckpegel am Ohr des Bedieners, dB(A)	88
Vibrationswerte ¹⁸	3,8
Sägekette/Führungsschiene	
Empfohlene Schienenlängen, cm	30
Effektive Schnittlänge, cm	26
Antriebsradtyp/Anzahl Zähne	Spur/6
Maximale Kettengeschwindigkeit / (savE), m/s	11,5 (10)

¹⁶ Umweltbelastende Geräuschemissionen, gemessen als Schalleistung (L_{WA}) gemäß EG-Richtlinie 2000/14/EG.

¹⁷ Äquivalente Schalldruckpegel, nach der ISO-Norm ISO 22868, werden berechnet als die zeitgewichtete energetische Summe der Schalldruckpegel bei verschiedenen Betriebsarten. Die typische Ausbreitungsklasse für einen äquivalenten Schalldruckpegel ist eine standardmäßige Ausbreitung von 2,5 dB(A).

¹⁸ Der angegebene Vibrationspegel gilt für den Griff mit den höchsten Werten. Die typische Ausbreitungsklasse für den Vibrationspegel beträgt 1,5 m/s.

Zubehör

Kombinationen von Führungsschiene und Sägekette

Folgende Schneidausrüstung ist für Husqvarna 120i zugelassen.



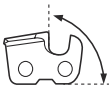
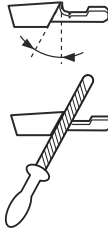

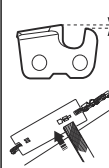
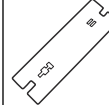

Führungsschiene				Sägekette	
Länge, Zoll	Kettenteilung, Zoll	Nutbreite, mm	Max. Anzahl Zähne des Umlenksterns	Typ	Länge, Treibglied (Anz.)
12	3/8	1,1	7T	Husqvarna H38	45

Feilausrüstung und Feilwinkel

Mithilfe der Husqvarna-Schärflehre finden Sie stets den gewünschten Feilwinkel. Wir empfehlen, beim Schärfen der Sägekette immer eine Husqvarna-Schärflehre zu verwenden, um das gewünschte Ergebnis zu erhalten.

Die Teilenummern können Sie der unten stehenden Tabelle entnehmen.

Wenn Sie nicht wissen, welche Sägekette Sie an Ihrem Gerät haben, wenden Sie sich an Ihren Servicehändler.

							
38	4,5 mm	75°	30°	0°	0,65 mm	5056981-03	5795588-01

Zugelassene Akkus

Verwenden Sie für dieses Gerät nur originale Husqvarna BLi Akkus.

Zugelassene Akkus für das Gerät

Akku	BLi20		BLi22	
Typ	Lithium-Ionen		Lithium-Ionen	
Akkukapazität, Ah	4,2 (VTC4)	4 (HD2)	4,2 (VTC4)	4,0 (EVE 20P)
Spannung, V	36	36,5	36	36
Gewicht, lb/kg	2,6/1,2	2,6/1,2	2,6/1,2	2,6/1,2

Zugelassene Ladegeräte für das Gerät

Akkuladegerät	QC80
Netzspannung, V	100-240
Frequenz, Hz	50-60
Leistung, W	100
Ausgangsspannung, V DC/ Ampere, A	36/2

EU-Konformitätserklärung

EG-Konformitätserklärung

Husqvarna AB, SE-561 82 Huskvarna, Sweden, Tel.: +46-36-146500, erklärt hiermit die alleinige Haftung dafür, dass die akkubetriebene Kettensäge **Husqvarna 120i (Plattform CS100EU)** von den Seriennummern des Baujahrs 2016 an (die Jahreszahl ist im Klartext auf dem Typenschild angegeben, mitsamt einer nachfolgenden Seriennummer) den Vorschriften der folgenden RICHTLINIEN DES RATES entspricht:

- „Maschinen-Richtlinie“ **2006/42/EG** vom 17. Mai 2006
- Richtlinie „über elektromagnetische Verträglichkeit“, **2014/30/EU** vom 26. Februar 2014,
- Richtlinie zur „Beschränkung der Verwendung bestimmter gefährlicher Stoffe“, **2011/65/EU** vom 8. Juni 2011
- „Richtlinie über umweltbelastende Geräuschemissionen von zur Verwendung im Freien vorgesehenen Geräten und Maschinen“ **2000/14/EG** vom 8. Mai 2000

Die folgenden Normen werden erfüllt: **EN 60745-1:2009+A11:2010, EN 60745-2-13:2009+A1:2010, EN 55014-1:2006+A1:2009+A2:2011, EN 61000-4-2:2009, EN 61000-4-3:2006+A1:2008, EN IEC63000:2018.**

Die angemeldete Prüfstelle TÜV Rheinland LGA Products GmbH, Tillystrasse 2, D-90431 Nuernberg, Germany, 0197 hat die EG-Typenprüfung gemäß Maschinenrichtlinie (2006/42/EG) Artikel 12, Absatz 3b durchgeführt.

Das Zertifikat hat die Nummer: **BM 50356394 0001**

Die gelieferte Motorsäge entspricht dem Geräteexemplar, das die EG-Typenprüfung durchlaufen hat.

Informationen zu Geräuschemissionen finden Sie unter *Technische Angaben auf Seite 149.*

Huskvarna, 20181031



Pär Martinsson, Development Manager
(bevollmächtigter Vertreter für Husqvarna AB und
verantwortlich für die technische Dokumentation)

Sommaire

Introduction.....	153	Dépannage.....	171
Sécurité.....	154	Transport, entreposage et mise au rebut.....	172
Montage.....	161	Caractéristiques techniques.....	173
Utilisation.....	161	Accessoires.....	174
Entretien.....	167	Déclaration de conformité CE.....	177

Introduction

Description du produit

Ce produit est un modèle de tronçonneuse équipé d'un moteur électrique.

Nous travaillons en permanence à l'amélioration de votre sécurité et de votre efficacité pendant l'utilisation. Pour davantage d'informations, contactez votre atelier d'entretien.

Aperçu du produit

(Fig. 1)

1. Protection anti-rebond
2. Clavier
3. Bouton SavE
4. Témoin d'avertissement
5. Bouton marche/arrêt
6. Blocage de la gâchette de puissance
7. Poignée arrière avec protection de la main droite
8. Logement de ventilateur
9. Réservoir d'huile pour chaîne
10. Chargeur de batterie
11. Cordon d'alimentation
12. Témoin d'avertissement
13. Connecteur
14. Manuel de l'opérateur
15. Fourreau du guide-chaîne
16. Carter d'embrayage
17. Manette de tendeur de chaîne
18. Bouton
19. Attrape-chaîne
20. Patin d'ébranchage
21. Pignon avant
22. Chaîne
23. Guide-chaîne
24. Poignée avant
25. Gâchette de puissance
26. Batterie
27. Boutons de libération de la batterie
28. État de la batterie
29. Bouton, état de la batterie
30. Témoin d'avertissement

Utilisation prévue

Ce produit est conçu pour scier dans le bois.

Remarque: La législation nationale peut imposer des limites à l'utilisation du produit.

Symboles concernant le produit

- (Fig. 2) Risque de blessures graves, voire mortelles, pour l'opérateur ou d'autres personnes présentes. Soyez prudent et utilisez le produit correctement.
- (Fig. 3) Lisez attentivement et assimilez le manuel de l'opérateur avant d'utiliser ce produit.
- (Fig. 4) Portez un casque de protection, des protège-oreilles et des protections pour les yeux homologués.
- (Fig. 5) Ce produit est conforme aux directives CE en vigueur.
- (Fig. 6) Émissions sonores dans l'environnement selon la directive européenne 2000/14/CE et la législation de la Nouvelle-Galles du Sud « Protection of the Environment Operations (Noise Control) Regulation 2017 ». L'étiquette de la machine et le chapitre Caractéristiques techniques contiennent des données sur les émissions sonores.
- (Fig. 7) L'opérateur doit utiliser ses deux mains pour utiliser la tronçonneuse.
- (Fig. 8) N'utilisez jamais la tronçonneuse en la tenant d'une seule main.
- (Fig. 9) Ne laissez pas le nez du guide-chaîne toucher un objet quel qu'il soit.

- (Fig. 10) Avertissement ! Un rebond peut se produire lorsque le nez du guide-chaîne entre en contact avec un objet. Ceci projette le guide-chaîne vers l'opérateur. Risque de blessures graves voire mortelles.
- (Fig. 11) Sens de rotation de la chaîne et longueur maximale du guide-chaîne.
- (Fig. 12) Frein de chaîne, serré (droite). Frein de chaîne, desserré (gauche).
- (Fig. 13) Remplissage d'huile de chaîne.
- (Fig. 14) Courant continu.
- (Fig. 15) Ne les exposez pas à la pluie.
- (Fig. 16) **Marquage environnemental.** Le produit ou son emballage ne font pas partie des ordures ménagères. Déposez-le dans une station de recyclage pour équipements électriques et électroniques.
- (Fig. 20) La plaque signalétique indique le numéro de série. **yyyy** est l'année de production, **ww** est la semaine de production.

Remarque: Les autres symboles/autocollants présents sur le produit concernent des exigences de certification spécifiques à certains marchés.

Symboles sur la batterie et/ou son chargeur

- (Fig. 21) Déposez ce produit dans une station de recyclage pour équipements électriques et électroniques. (Concerne seulement l'Europe)
- (Fig. 17) Transformateur à sécurité intégrée.
- (Fig. 18) Utilisez et stockez le chargeur de batterie en intérieur uniquement.
- (Fig. 19) Double isolation.

Sécurité

Définitions de sécurité

Les définitions ci-dessous indiquent le niveau de gravité pour chaque mention d'avertissement.



AVERTISSEMENT: Blessures aux personnes.



REMARQUE: Dommages au produit.

Remarque: Cette information facilite l'utilisation du produit.

Consignes générales de sécurité relatives à l'outil à moteur



AVERTISSEMENT: Lire toutes les consignes et instructions de sécurité. Le non-respect des consignes et mises en garde peut être à l'origine d'un choc

électrique, d'un incendie et/ou de blessures graves.

Remarque: Conservez toutes ces consignes et instructions pour toute consultation ultérieure. Le terme « outil électrique » utilisé dans les avertissements fait référence à l'outil branché sur secteur (fil) ou à l'outil alimenté par batterie (sans fil).

Sécurité dans l'espace de travail

- **Maintenez un espace de travail propre et bien éclairé.** Les espaces encombrés ou sombres exposent à des accidents.
- **N'utilisez pas de machines à usiner dans des atmosphères explosives, en présence de liquides, de gaz ou de poussières inflammables par exemple.** Les machines à usiner provoquent des étincelles qui peuvent enflammer la poussière ou les vapeurs.
- **Tenez les enfants et les spectateurs à distance lorsque la machine à usiner est en marche.** Un moment d'inattention peut vous faire perdre le contrôle.

Sécurité électrique

- **Les fiches des machines à usiner doivent être adaptées à la prise. N'apportez jamais de modifications à la fiche. Ne pas utiliser de fiches d'adaptation avec des machines mises à la terre.** Des fiches non modifiées et des prises compatibles réduiront le risque de choc électrique.
- **Éviter tout contact physique avec les surfaces mises à la terre telles que les tuyaux, les radiateurs, les cuisinières et les réfrigérateurs.** Le risque d'électrocution est plus important si le corps est relié à la terre.
- **Ne pas exposer les outils électriques à la pluie ou à l'humidité.** L'infiltration d'eau dans une machine à usiner augmente le risque d'électrocution.
- **Ne pas malmenier le cordon. N'utilisez jamais le cordon pour porter, tirer ou débrancher la machine. Maintenez le cordon d'alimentation à l'écart de la chaleur, de bords tranchants ou de pièces en mouvement.** Les cordons endommagés ou emmêlés augmentent le risque d'électrocution.
- **Lorsqu'une machine à usiner est utilisée à l'extérieur, installer une rallonge adaptée à un usage extérieur.** L'utilisation d'un cordon d'alimentation pour usage extérieur réduit le risque d'électrocution.
- **Si l'outil électrique doit être mis sous tension dans un endroit humide, utilisez une alimentation protégée par un disjoncteur-détecteur de fuite à la terre (DDFT).** L'utilisation d'un DDFT réduit le risque d'électrocution.

Sécurité du personnel

- **Restez attentif, regardez ce que vous faites et ayez recours à votre bon sens lorsque vous utilisez un outil électrique. N'utilisez pas d'outil électrique si vous êtes fatigué ou si vous êtes sous l'emprise de drogues, d'alcool ou de médicaments.** Un moment d'inattention pendant l'utilisation des machines à usiner peut entraîner des blessures corporelles graves.
 - **Utilisez un équipement de protection personnelle. Travaillez toujours avec des lunettes de protection.** Les équipements de protection tels que les masques anti-poussières, les chaussures de sécurité antidérapantes, le casque ou les protège-oreilles utilisés dans les conditions qui conviennent réduisent les blessures corporelles.
 - **Évitez tout démarrage intempestif. Vérifiez que l'interrupteur est en position d'arrêt avant de brancher l'outil sur l'alimentation et/ou la batterie, de le ramasser ou de le transporter.** Le fait de garder le doigt sur l'interrupteur pendant le transport des outils ou le branchement des machines alors que l'interrupteur est en position ON expose à des accidents.
 - **Retirez toute clé ou clavette de calage avant de mettre la machine à usiner sous tension.** Une clé ou une clavette reliée à une pièce mobile de la machine à usiner peut entraîner des blessures corporelles.
- **Ne vous éloignez pas trop. Restez toujours en équilibre et sur vos appuis.** Cela favorise le contrôle de la machine à usiner dans les situations inattendues.
 - **Habillez-vous correctement. Ne portez jamais de vêtements amples ou de bijoux. Éloignez vos cheveux, vêtements et gants des pièces mobiles.** Les vêtements amples, les bijoux et les cheveux longs peuvent rester coincés dans les pièces mobiles.
 - **Si des dispositifs sont fournis pour raccorder des systèmes de collecte et d'extraction de la poussière, vérifiez qu'ils sont correctement branchés et utilisés.** L'utilisation de systèmes de collecte de poussière peut réduire les risques associés à la poussière.
 - Les émissions de vibrations durant l'utilisation de l'appareil peuvent différer de la valeur totale déclarée en fonction de la manière dont l'outil est utilisé. En vue de se protéger, les opérateurs devraient établir des mesures de sécurité basées sur une estimation de leur exposition dans les conditions d'utilisation réelles (en tenant compte de toutes les phases du cycle opératoire, comme, par exemple, lorsque l'outil est éteint et lorsqu'il fonctionne en mode ralenti ou au gaz).

Utilisation et entretien de la machine à usiner

- **Ne forcez pas sur la machine à usiner. Utilisez la machine à usiner qui convient à l'application.** La machine qui convient réalisera mieux son travail et de façon plus sûre, à la vitesse pour laquelle elle a été conçue.
- **N'utilisez pas la machine à usiner si l'interrupteur ne permet pas la mise sous tension ou l'arrêt.** Toute machine à usiner impossible à commander avec l'interrupteur est dangereuse et doit être réparée.
- **Débrancher la fiche de la prise et/ou du bloc d'alimentation avant de procéder aux réglages, de changer les accessoires ou de stocker la machine.** Ces mesures de sécurité préventive réduisent le risque de mise sous tension accidentelle de la machine à usiner.
- **Rangez les machines à usiner hors de la portée des enfants et ne pas laisser des personnes qui ne connaissent pas la machine ou ces signes utiliser l'appareil.** Les machines à usiner sont dangereuses si elles sont entre les mains d'utilisateurs non formés.
- **Entretenez les machines à usiner. Vérifier le mauvais alignement ou la fixation des pièces mobiles, l'éventuelle rupture des pièces ou toute autre condition susceptible d'altérer le fonctionnement de la machine. Si elle est endommagée, la machine à usiner doit être réparée avant toute réutilisation.** De nombreux accidents sont dus à des machines mal entretenues.
- **Maintenez les outils tranchants aiguisés et propres.** Des outils tranchants correctement entretenus avec des bords aiguisés sont moins susceptibles de se coincer et sont plus faciles à contrôler.

- **Utiliser la machine à usiner, les accessoires, les grains, etc. en suivant ces consignes et en tenant compte des conditions de travail et de la tâche à réaliser.** Il est dangereux d'utiliser l'outil électrique pour tout autre usage que celui prévu.

Utilisation et entretien d'un outil à batterie

- **Ne rechargez la machine qu'avec le chargeur indiqué par le fabricant.** Un chargeur convenant à un type de bloc de batteries particulier peut entraîner un risque d'incendie s'il est utilisé avec un autre bloc.
- **N'utilisez des outils à moteur qu'avec des blocs de batteries spécifiquement désignés.** L'utilisation d'une autre batterie peut entraîner un risque de blessure et d'incendie.
- **Lorsque la batterie n'est pas utilisée, maintenez-la à distance d'objets métalliques, tels que des trombones, pièces de monnaie, clés, clous, vis, ou autres petits objets en métal risquant de relier une borne à l'autre.** Court-circuiter les bornes de batterie entraîne un risque de brûlures et d'incendie.
- **En cas d'utilisation abusive, du liquide peut s'échapper de la batterie ; évitez tout contact. En cas de contact accidentel, rincez à l'eau. En cas de contact avec les yeux, consultez un médecin.** Le liquide échappé de la batterie peut causer irritations et brûlures.

Entretien

- **Confiez l'entretien de votre outil électrique à un mécanicien qualifié qui utilisera uniquement des pièces de rechange identiques.** Cela permet de garantir la sécurité de la machine.

Consignes de sécurité concernant la tronçonneuse

- **Lorsque la tronçonneuse est en marche, maintenez la chaîne éloignée de toute partie du corps. Avant de démarrer la tronçonneuse, assurez-vous que la chaîne n'est en contact avec aucun objet.** Lorsque la tronçonneuse est en marche, il suffit d'un moment d'inattention pour que la chaîne accroche vos vêtements ou vous blesse.
- **Tenez toujours la tronçonneuse des deux mains, la main droite sur la poignée arrière, la gauche sur la poignée avant.** N'inversez pas cette position, même si vous êtes gaucher, le risque de blessure serait plus élevé.
- **Ne tenez la tronçonneuse que par la surface de préhension isolée, la chaîne pourrait entrer en contact avec un câble électrique non apparent ou son propre cordon.** Si la chaîne entre en contact avec un câble sous tension, elle risque de mettre également sous tension les parties métalliques de la tronçonneuse et vous pourriez recevoir un choc électrique.
- **Portez des lunettes de sécurité et des protecteurs d'oreilles. Il est recommandé de porter également un équipement de protection pour la tête, les mains, les jambes et les pieds.** Des vêtements de protection

appropriés réduisent les blessures causées par la projection de débris ou un contact accidentel avec la chaîne.

- **N'utilisez pas une tronçonneuse si vous êtes dans un arbre.** Vous risqueriez de vous blesser ou de blesser quelqu'un.
- **Ayez toujours un bon appui et n'utilisez la tronçonneuse que si vous êtes debout sur une surface plane, fixe et sécurisée.** Sur une surface glissante ou instable telle qu'une échelle, vous pourriez perdre l'équilibre ou le contrôle de la tronçonneuse.
- **Lorsque vous sciez une branche en tension, attention à l'effet de rebond.** Lorsque la tension des fibres du bois est libérée, la branche peut vous frapper ou dévier la tronçonneuse.
- **Soyez extrêmement prudent lorsque vous coupez des broussailles ou de jeunes arbres.** Les branches minces peuvent bloquer la chaîne, vous fouetter ou vous déséquilibrer.
- **Portez la tronçonneuse en la tenant par la poignée avant, toujours éteinte et éloignée de votre corps. Pour transporter ou ranger la tronçonneuse, remettez toujours le fourreau du guide-chaîne.** Un maniement approprié de la tronçonneuse réduit le risque de contact accidentel avec la chaîne.
- **Suivez les instructions pour la lubrification, la tension de la chaîne et le changement d'accessoires.** Une chaîne mal tendue ou mal lubrifiée peut freiner et accroître les risques de rebond.
- **Les poignées doivent toujours être propres, sèches et sans traces d'huile ni de graisse.** La présence d'huile ou de graisse sur les poignées les rendrait glissantes et vous pourriez perdre le contrôle de la tronçonneuse.
- **Ne coupez que du bois. N'utilisez pas la tronçonneuse pour un autre usage. Par exemple : n'utilisez pas de tronçonneuse pour couper du plastique, un ouvrage de maçonnerie, ni aucun matériau de construction autre que le bois.** L'utilisation d'une tronçonneuse pour un usage non prévu peut entraîner un risque.
- Nous recommandons fortement aux débutants de commencer par s'entraîner en sciant des bûches sur un chevalet de sciage ou une traverse.

Causes et prévention des rebonds

Un rebond peut se produire si l'extrémité avant du guide-chaîne touche un objet, ou si le bois bloque la tronçonneuse. Dans certains cas, lorsque l'avant du guide entre en contact avec un objet, la tronçonneuse rebondit vers l'opérateur. Si la chaîne est bloquée sur l'avant du guide, celui-ci peut rebondir soudainement vers l'opérateur. L'un ou l'autre de ces accidents peut vous faire perdre le contrôle de la tronçonneuse et provoquer une blessure grave. Ne vous fiez pas exclusivement aux dispositifs de sécurité de votre tronçonneuse. Lorsque vous utilisez une tronçonneuse, prenez plusieurs mesures pour éviter tout accident ou blessure. Un rebond est le résultat de conditions

inappropriées, d'une procédure incorrecte ou d'une mauvaise utilisation de l'outil, et peut être évité en prenant les précautions suivantes :

- **Tenez fermement la tronçonneuse des deux mains, les pouces sous les poignées, et placez votre corps et vos bras de manière à résister à la force d'un éventuel rebond.** La force de rebond peut être contrôlée si vous prenez les bonnes précautions. Ne lâchez pas la tronçonneuse.
- **Ne coupez jamais au-dessus de la hauteur de vos épaules.** Cela permet de réduire les contacts accidentels et de mieux contrôler la tronçonneuse dans des situations inattendues.
- **N'utilisez que les chaînes et guide-chaînes spécifiés par le fabricant.** Une chaîne ou un guide-chaîne inappropriés peuvent se rompre ou provoquer un rebond.
- **Suivez les instructions du fabricant pour l'affûtage et l'entretien de la chaîne.** Réduire la hauteur de la butée de profondeur peut accroître le risque de rebond.

CONSERVEZ LES PRÉSENTES INSTRUCTIONS.

Instructions générales de sécurité



AVERTISSEMENT: Lisez les instructions qui suivent avant d'utiliser le produit.

- Ce produit est un outil dangereux si vous ne faites pas attention ou si vous l'utilisez de manière incorrecte. Ce produit peut causer des blessures graves, voire mortelles, à l'opérateur ou à d'autres personnes. Il importe donc de lire attentivement et de bien assimiler le contenu de ce manuel d'utilisation.
- Ne modifiez pas le produit sans approbation du fabricant. N'utilisez pas un produit qui a été modifié par un tiers et utilisez toujours des accessoires d'origine. Les modifications qui ne sont pas approuvées par le fabricant peuvent causer des blessures graves, voire mortelles, à l'opérateur ou à d'autres personnes.
- Une inhalation prolongée de gaz d'huile de chaîne et de sciure peut provoquer des problèmes de santé.
- Ce produit génère un champ électromagnétique durant son fonctionnement. Ce champ peut dans certaines circonstances perturber le fonctionnement d'implants médicaux actifs ou passifs. Pour réduire le risque de blessures graves ou mortelles, nous recommandons aux personnes portant des implants médicaux de consulter leur médecin et le fabricant de leur implant avant d'utiliser cet appareil.

Instructions de sécurité pour le fonctionnement



AVERTISSEMENT: Lisez les instructions qui suivent avant d'utiliser le produit.

- Les informations contenues dans ce manuel d'utilisation ne remplacent pas l'expérience et le savoir-faire d'un professionnel. Si vous ne vous sentez pas en sécurité dans une situation donnée, arrêtez le produit. Demandez conseil à votre atelier d'entretien ou à un opérateur de tronçonneuse professionnel. L'utilisateur doit éviter d'utiliser la machine s'il ne se sent pas suffisamment qualifié pour le travail à effectuer !
- Demandez conseil à votre atelier d'entretien ou Husqvarna pour toute question relative au fonctionnement du produit. Nous pouvons vous donner des conseils sur la manière d'utiliser votre produit efficacement et en toute sécurité. Si possible, participez à une session de formation à l'utilisation d'une tronçonneuse. Votre atelier d'entretien, votre établissement de formation forestière et votre bibliothèque peuvent vous renseigner sur le matériel de formation et les cours disponibles.
- Vous devez comprendre le phénomène de rebond et savoir comment l'éviter avant d'utiliser ce produit. Consultez les sections *Informations sur le rebond à la page 163* et *Questions fréquentes concernant le rebond à la page 162* pour plus d'instructions.
- N'utilisez jamais un produit, une batterie ou un chargeur de batterie défectueux.
- Ne touchez jamais une chaîne en rotation. Cela peut causer des blessures graves, voire mortelles.
- N'utilisez pas le produit si vous êtes fatigué, avez bu de l'alcool ou pris des médicaments susceptibles d'affecter votre vue, votre jugement ou la maîtrise de votre corps.
- Travailler par mauvais temps est cause de fatigue et peut être dangereux. Il n'est pas recommandé d'utiliser la machine dans de très mauvaises conditions météorologiques, par exemple, en cas de brouillard épais, de forte pluie, de vent violent, de froid intense ou de risque de foudre, etc., car ces conditions constituent des facteurs de risque supplémentaires.
- Ne démarrez pas le produit si le guide-chaîne, la chaîne et tous les capots ne sont pas montés correctement. Sinon, le pignon d'entraînement risque de se détacher et de provoquer des blessures graves. Consultez la section *Montage à la page 161* pour plus d'instructions.(Fig. 22)
- Observez bien la zone de travail. Assurez-vous qu'aucune personne ou aucun animal ne risque d'affecter ou d'influencer votre maîtrise du produit. (Fig. 23)
- Mettez le produit hors de portée des enfants et ne laissez pas ces derniers l'utiliser. Dans la mesure où

le produit est facile à démarrer, il est possible que des enfants arrivent à le mettre en route lorsque vous les quittez des yeux. Ceci peut entraîner un risque de graves blessures.

- Retirez la batterie lorsque vous perdez le produit de vue ou le laissez sans surveillance, quelle que soit la durée de votre absence.
- Vous devez être bien campé sur vos pieds pour avoir une maîtrise totale du produit. N'utilisez pas ce produit si vous êtes sur une échelle ou dans un arbre. N'utilisez pas ce produit si vous n'êtes pas sur un sol stable.(Fig. 24)
- Si vous ne faites pas attention, le risque de rebond augmente. Un rebond peut se produire si la zone de rebond du guide-chaîne touche accidentellement une branche, un arbre ou tout autre objet.(Fig. 25)
- N'utilisez pas le produit d'une seule main. Il n'est pas possible de contrôler correctement ce produit d'une seule main.
- N'utilisez pas ce produit au-dessus de votre hauteur d'épaule et n'essayez pas de couper avec le nez du guide-chaîne. (Fig. 26)
- N'utilisez aucun produit dans une situation où vous ne pouvez pas bénéficier d'aide en cas d'accident.
- Arrêtez le produit et engagez le frein de chaîne avant de déplacer le produit. Tenez le produit en orientant le guide-chaîne et la chaîne vers l'arrière. Placez un fourreau de protection sur le guide-chaîne avant de transporter le produit ou de le déplacer, quelle que soit la distance.
- Quand vous posez le produit par terre, engagez le frein de chaîne et veillez à toujours garder le produit dans votre champ de vision. Arrêtez le produit et retirez la batterie si vous ne devez pas vous en servir durant une période prolongée.
- Des copeaux de bois risquent de se coincer dans le système d'entraînement. Cela peut provoquer le blocage de la chaîne. Éteignez toujours le produit et retirez la batterie avant de le nettoyer.
- Assurez-vous de pouvoir vous déplacer en toute sécurité. Étudiez les conditions et le terrain environnant pour repérer d'éventuels obstacles, tels que des racines, des pierres, des branches, des fossés, etc. Soyez prudent lorsque vous travaillez sur un terrain en pente.
- Le niveau de vibrations augmente si vous utilisez un équipement de coupe incorrect ou mal affûté. Le sciage de bois durs, tels que des feuillus, provoque davantage de vibrations que celui de bois tendres, tels que des conifères. (Fig. 27)
- Une exposition excessive aux vibrations peut entraîner des troubles circulatoires ou nerveux chez les personnes sujettes à des troubles cardiovasculaires. Consultez un médecin en cas de symptômes liés à une exposition excessive aux vibrations. De tels symptômes peuvent être : engourdissement, perte de sensibilité, chatouillements, picotements, douleur, faiblesse musculaire, décoloration ou modification épidermique. Ces symptômes apparaissent

généralement dans les doigts, les mains ou les poignets et augmentent par temps froid.

- Évitez toute situation qui vous semble au-delà de vos capacités.
- Il est impossible de mentionner toutes les situations auxquelles vous pouvez être confronté pendant l'utilisation de ce produit. Soyez toujours prudent et utilisez votre bon sens.(Fig. 28)

Équipement de protection individuelle



AVERTISSEMENT: Lisez les instructions qui suivent avant d'utiliser le produit.

(Fig. 29)

- La plupart des accidents surviennent quand la chaîne de la tronçonneuse touche l'opérateur. Utilisez impérativement un équipement de protection individuel homologué pendant le fonctionnement. L'équipement de protection individuelle ne protège pas complètement des blessures, mais il diminue la gravité des blessures en cas d'accident. Contactez votre atelier d'entretien pour obtenir des recommandations sur l'équipement à utiliser.
- Portez des vêtements près du corps qui n'entravent toutefois pas vos mouvements. Vérifiez régulièrement l'état de votre équipement de protection individuel.
- Utilisez un casque de protection homologué.
- utilisez des protège-oreilles agréés. Une exposition prolongée au bruit risque de causer des lésions auditives permanentes.
- Utilisez des lunettes de protection ou une visière faciale pour vous protéger d'une éventuelle projection d'objets. Le produit peut projeter des objets tels que des copeaux de bois, des petits morceaux de bois, etc., avec une force importante. Il peut en résulter des blessures graves, surtout au niveau des yeux.
- Utilisez des gants de protection anti-chaîne.
- Utilisez des pantalons de protection anti-chaîne.
- Utilisez des bottes de protection anti-chaîne avec embout acier et semelle antidérapante.
- Prévoyez toujours une trousse de premiers secours.
- Risque d'étincelles. Veillez à toujours disposer de dispositifs extincteurs et d'une pelle pour prévenir les feux de forêt.

Dispositifs de sécurité sur le produit



AVERTISSEMENT: Lisez les instructions qui suivent avant d'utiliser le produit.

- N'utilisez pas un produit avec des dispositifs de sécurité défectueux.

- Contrôlez les dispositifs de sécurité régulièrement. Reportez-vous à la section *Entretien et contrôle des dispositifs de sécurité du produit à la page 168*.
- Si les dispositifs de sécurité sont défectueux, parlez-en à votre atelier d'entretien Husqvarna.

Clavier

L'indicateur d'avertissement clignote si le frein de chaîne est serré ou s'il y a un risque de surcharge. La protection contre les surcharges arrête temporairement le produit et vous empêche de l'utiliser tant que la température n'est pas revenue à la normale. Si le témoin est allumé et fixe, contactez votre atelier d'entretien. (Fig. 30)

Fonction d'arrêt automatique

Le produit est doté d'une fonction d'arrêt automatique qui l'arrête si vous ne l'utilisez pas pendant une minute.

Frein de chaîne avec arcéau protecteur

Votre produit est équipé d'un frein de chaîne qui arrête la chaîne en cas de rebond. Le frein de chaîne réduit le risque d'accident mais seul l'utilisateur peut les prévenir. (Fig. 31)



AVERTISSEMENT: Évitez les situations susceptibles de provoquer des rebonds. Soyez prudent pendant l'utilisation de votre produit et veillez à ce que la zone de rebond du guide-chaîne n'entre en contact avec aucun objet.

(Fig. 32)

Le frein de chaîne (A) est serré manuellement (de la main gauche) ou automatiquement, par la fonction d'inertie. Poussez la protection anti-rebond (B) vers l'avant pour serrer le frein de chaîne manuellement. Ce mouvement active un mécanisme à ressort qui arrête le pignon d'entraînement. (Fig. 33)

La façon dont le frein de chaîne est engagé dépend de la force du rebond et de la position du produit. En cas de rebond intense lorsque la zone de rebond est très éloignée de vous, le frein de chaîne est engagé par l'inertie relâchée. Si le rebond est faible ou si la zone de rebond est plus proche de vous, vous pouvez engager le frein de chaîne manuellement de la main gauche. (Fig. 34)

Utilisez le frein de chaîne comme un frein de stationnement lorsque vous démarrez le produit et lorsque vous le déplacez sur de courtes distances. Cela réduit le risque que vous ou une personne à proximité entre en contact avec la chaîne. (Fig. 35)

Tirez la protection anti-rebond vers l'arrière pour desserrer le frein de chaîne. (Fig. 36)

Un rebond peut être rapide et très violent. Toutefois, la plupart des rebonds sont courts et ne serrent pas nécessairement le frein de chaîne. Si un rebond se

produit lorsque vous utilisez le produit, tenez fermement les poignées et ne lâchez pas. (Fig. 37)

La protection anti-rebond réduit également le risque de contact avec la chaîne si vous lâchez la poignée avant. (Fig. 38)

En position d'abattage, vous ne pouvez pas engager le frein de chaîne manuellement. Dans cette position, le frein de chaîne peut uniquement être serré par la fonction d'inertie. (Fig. 39)

Blocage de la gâchette de puissance

Le blocage de la gâchette de puissance empêche toute activation accidentelle de cette dernière. Placez votre main dans la poignée et appuyez sur le blocage de la gâchette de puissance (A) pour libérer la gâchette (B). Relâchez la poignée pour remettre la gâchette de puissance et son blocage en position initiale. (Fig. 40)

Attrape-chaîne

Le capteur de chaîne attrape la chaîne si elle casse ou se desserre. Le maintien d'une bonne tension de chaîne réduit ce risque. Vous pouvez également réduire ce risque en respectant les conseils d'entretien du guide-chaîne et de la chaîne. Consultez les sections *Pour serrer la chaîne à la page 170* et *Entretien à la page 167* pour plus d'instructions. (Fig. 41)

Protection de la main droite

La protection anti-rebond protège votre main droite si la chaîne casse ou se desserre. Elle évite également que vous soyez gêné par des branches et des brindilles lorsque vous utilisez le produit. (Fig. 42)

Consignes de sécurité relatives à l'utilisation de la batterie



AVERTISSEMENT: lisez les instructions qui suivent avant d'utiliser le produit.

- Utilisez uniquement les batteries BLi que nous recommandons pour votre produit. Les batteries sont codées par logiciel.
- Utilisez les batteries BLi rechargeables en tant que source d'alimentation pour les produits Husqvarna uniquement. Afin d'éviter toute blessure, n'utilisez pas la batterie comme source d'alimentation pour d'autres produits.
- Risque de choc électrique. Ne branchez pas les bornes de la batterie à des clés, des vis ou tout autre élément métallique. Cela peut provoquer un court-circuit de la batterie.
- N'utilisez pas de batteries non rechargeables.
- Ne placez pas d'objets dans les fentes d'aération de la batterie.
- Protégez la batterie des rayons directs du soleil, de la chaleur et des flammes nues. La batterie peut

provoquer des brûlures et/ou des brûlures chimiques.

- Protégez la batterie de la pluie et de l'humidité.
- Protégez la batterie des micro-ondes et des hautes pressions.
- N'essayez pas de démonter ou de casser la batterie.
- Ne laissez pas l'acide de batterie entrer en contact avec votre peau. L'acide de batterie provoque des blessures cutanées, de la corrosion et des brûlures. Si vous recevez de l'acide de batterie dans les yeux, ne les frottez pas ; rincez-les abondamment à l'eau pendant au moins 15 minutes. Si de l'acide de batterie a touché votre peau, nettoyez-la abondamment à l'eau et au savon. Consultez un médecin.
- Utilisez la batterie à une température comprise entre -10 °C (14 °F) et 40 °C (104 °F).
- Ne nettoyez pas la batterie ou le chargeur de batterie avec de l'eau. Consultez la section *Contrôle de la batterie et du compartiment de batterie à la page 168*.
- N'utilisez pas de batterie défectueuse ou endommagée.
- Conservez les batteries en stock à distance des objets métalliques, tels que clous, vis ou bijoux.
- Tenez les batteries hors de portée des enfants.

Consignes de sécurité relatives au chargeur de batterie



AVERTISSEMENT: lisez les instructions qui suivent avant d'utiliser le produit.

- Risque de choc électrique ou de court-circuit si les instructions de sécurité ne sont pas respectées.
- Utilisez une prise d'alimentation secteur mise à la terre agréée qui n'est pas endommagée.
- N'utilisez pas d'autres chargeurs de batterie que celui fourni pour votre produit. Utilisez uniquement des chargeurs QC Husqvarna lorsque vous chargez des batteries de rechange BLI Husqvarna.
- N'essayez pas de démonter le chargeur de batterie.
- N'utilisez pas de chargeur de batterie défectueux ou endommagé.
- Ne soulevez pas le chargeur de batterie par le cordon d'alimentation. Pour débrancher le chargeur de batterie d'une prise d'alimentation secteur, tirez sur la fiche. Ne tirez pas le cordon d'alimentation.
- Conservez tous les câbles et toutes les rallonges loin de l'eau, de l'huile et des bords tranchants. Veillez à ce que le câble ne soit pas coincé dans des portes, des clôtures ou tout autre équipement similaire.
- N'utilisez pas le chargeur de batterie à proximité de matériaux inflammables ou de matériaux pouvant provoquer la formation de corrosion. Assurez-vous que le chargeur de batterie n'est pas couvert. En cas

de dégagement de fumée ou de début d'incendie, débranchez aussitôt la fiche reliée au chargeur de batterie.

- Rechargez la batterie uniquement en intérieur, dans un endroit bien aéré et à l'abri de la lumière. Ne chargez pas la batterie à l'extérieur. Ne rechargez pas la batterie dans des conditions humides.
- Utilisez le chargeur de batterie à une température comprise entre 5 °C (41 °F) et 40 °C (104 °F) uniquement. Utilisez le chargeur dans un environnement bien ventilé, sec et exempt de poussière.
- Ne placez pas d'objets dans les fentes de refroidissement du chargeur de batterie.
- Ne raccordez pas les bornes du chargeur de batterie à des objets métalliques car cela peut court-circuiter le chargeur de batterie.
- Utilisez des prises murales homologuées et non endommagées.

Consignes de sécurité pour l'entretien



AVERTISSEMENT: lisez les instructions qui suivent avant d'effectuer l'entretien du produit.

- Retirez la batterie avant tout entretien, contrôle ou assemblage du produit.
- L'utilisateur ne doit effectuer que les travaux de maintenance et d'entretien décrits dans ce manuel d'utilisation. Adressez-vous à votre revendeur pour toute opération de maintenance et d'entretien de plus grande ampleur.
- Ne nettoyez pas la batterie ou le chargeur de batterie avec de l'eau. L'utilisation de détergents agressifs peut endommager le plastique.
- Un défaut d'entretien réduit le cycle de vie du produit et augmente le risque d'accidents.
- Une formation spéciale est nécessaire pour tous les travaux d'entretien et de réparation, en particulier pour les dispositifs de sécurité sur le produit. Si tous les contrôles spécifiés dans ce manuel d'utilisation ne sont pas validés après l'entretien, consultez votre revendeur. Nous garantissons la disponibilité d'un service de réparation et d'entretien professionnel pour votre produit.
- Utilisez uniquement les pièces de rechange d'origine.

Consignes de sécurité relatives à l'équipement de coupe



AVERTISSEMENT: lisez les instructions qui suivent avant d'utiliser le produit.

- Utilisez uniquement les combinaisons guide-chaîne/chaîne et les équipements d'affûtage recommandés.

Reportez-vous à la section *Accessoires à la page 174* pour connaître les instructions.

- Portez des gants de protection lorsque vous utilisez ou procédez à la maintenance de la chaîne. Une chaîne immobile peut également provoquer des blessures.
- Veillez à ce que les dents de coupe restent correctement affûtées. Respectez les instructions et utilisez la jauge de profondeur recommandée. Une chaîne endommagée ou mal affûtée augmente le risque d'accident.(Fig. 43)
- Veillez à travailler avec un réglage de jauge de profondeur correct. Respectez les instructions et utilisez le réglage de jauge de profondeur recommandé. Un réglage de jauge de profondeur

trop important augmente le risque de rebond.(Fig. 44)

- Vérifiez que la chaîne de sciage est bien tendue. Si la chaîne n'est pas bien plaquée contre le guide-chaîne, elle peut dérailler. Une mauvaise tension de la chaîne augmente l'usure du guide-chaîne, de la chaîne et du pignon d'entraînement. Reportez-vous à la section *Pour serrer la chaîne à la page 170*(Fig. 45)
- Entretenez régulièrement l'équipement de coupe et veillez à ce qu'il reste correctement lubrifié. Si la chaîne n'est pas correctement lubrifiée, le risque d'usure du guide-chaîne, de la chaîne et du pignon d'entraînement augmente.(Fig. 46)

Montage

Introduction



AVERTISSEMENT: Assurez-vous de lire et de comprendre le chapitre dédié à la sécurité avant de monter l'appareil.

Pour monter le guide-chaîne et la chaîne de sciage



AVERTISSEMENT: Retirez toujours la batterie avant de monter ou d'entretenir le produit.

1. Desserrez le frein de chaîne. (Fig. 47)
2. Desserrez le bouton et retirez le couvercle du pignon d'entraînement (frein de chaîne) et le fourreau de transport (A). (Fig. 48)
3. Placez le guide-chaîne au-dessus du boulon du guide-chaîne. Guidez le guide-chaîne dans sa position la plus en arrière possible. Soulevez la chaîne de sciage au-dessus du pignon d'entraînement et placez-la dans la rainure du guide-chaîne. Commencez par le bord supérieur du guide-chaîne. (Fig. 49)

4. Assurez-vous que le bord tranchant des dents est dirigé vers l'avant sur le dessus du guide-chaîne.
5. Montez le couvercle du pignon d'entraînement et guidez le goujon de tension de la chaîne dans l'ouverture du guide-chaîne.
6. Assurez-vous que les maillons d'entraînement de la chaîne de sciage s'engagent dans le pignon d'entraînement.
7. Assurez-vous que la chaîne s'engage dans la rainure du guide-chaîne.
8. Serrez la chaîne. Consultez la section *Pour serrer la chaîne à la page 170* pour plus d'instructions.

Pour monter un patin d'ébranchage

Pour monter un patin d'ébranchage, contactez votre atelier d'entretien.

Utilisation

Introduction



AVERTISSEMENT: Assurez-vous de lire et de comprendre le chapitre dédié à la sécurité avant d'utiliser l'appareil.

Pour effectuer un contrôle du fonctionnement avant d'utiliser le produit

1. Contrôlez le frein de chaîne (A) pour vous assurer qu'il fonctionne correctement et qu'il n'est pas endommagé.
2. Contrôlez la protection arrière droite (B) pour vous assurer qu'elle n'est pas endommagée.

3. Contrôlez la gâchette de puissance et le blocage de la gâchette de puissance (C) pour vous assurer qu'ils fonctionnent correctement et qu'ils ne sont pas endommagés.
4. Contrôlez le clavier (D) pour vous assurer qu'il fonctionne correctement.
5. Assurez-vous qu'il n'y a pas d'huile sur les poignées (E).
6. Vérifiez que toutes les pièces sont correctement fixées et qu'elles ne sont pas endommagées ou manquantes.
7. Contrôlez le capteur de chaîne (F) pour vous assurer qu'il est correctement fixé.
8. Contrôlez la tension de la chaîne (G).
9. Chargez la batterie (H) et assurez-vous qu'elle est correctement fixée au produit.
10. Assurez-vous que la chaîne s'arrête lorsque vous relâchez la gâchette de puissance. (Fig. 50)

pas suffisante, cela peut entraîner la rupture de la chaîne. Cela peut entraîner des blessures graves, voire mortelles, à l'opérateur.



REMARQUE: Si vous utilisez de l'huile de chaîne à base végétale, nettoyez la rainure du guide-chaîne, ainsi que la chaîne avant de les remettre pour une période prolongée. Sinon, la chaîne risque de s'oxyder et de se gripper et le pignon d'entraînement du guide-chaîne risque d'être obstrué.

Questions fréquentes concernant le rebond

• Ma main serre-t-elle toujours le frein de chaîne en cas de rebond ?

Non. Il est nécessaire d'appliquer une certaine force pour pousser la protection anti-rebond vers l'avant. Si vous n'appliquez pas la force nécessaire, le frein de chaîne ne sera pas serré. Vous devez également tenir les poignées du produit à deux mains pendant le travail afin qu'elles restent stables. En cas de rebond, il est possible que le frein de chaîne ne parvienne pas à arrêter la chaîne avant qu'elle ne vous touche. De plus, certaines situations vous empêchent de toucher la protection anti-rebond pour serrer le frein de chaîne.

• La fonction d'inertie serre-t-elle toujours le frein de chaîne en cas de rebond ?

Non. Premièrement, le frein de chaîne doit fonctionner correctement. Reportez-vous à la section *Entretien à la page 167* pour des instructions de contrôle du frein de chaîne. Nous vous recommandons de procéder à ce contrôle avant chaque utilisation du produit. Ensuite, la force du rebond doit également être suffisamment élevée pour serrer le frein de chaîne. Si le frein de chaîne est trop sensible, il peut se serrer lorsque vous utilisez le produit pour des travaux difficiles.

• Le frein de chaîne me protège-t-il toujours des blessures en cas de rebond ?

Non. Le frein de chaîne doit fonctionner correctement pour offrir une protection. Le frein de chaîne doit également être serré en cas de rebond pour arrêter la chaîne. Si vous vous trouvez à proximité du guide-chaîne, il est possible que le frein de chaîne n'ait pas le temps d'arrêter la chaîne avant qu'elle ne vous touche.

Huile de chaîne

Toutes nos tronçonneuses Husqvarna sont dotées d'un dispositif de lubrification automatique de la chaîne. Certains modèles ont également un débit réglable.

Pensez aux éléments suivants lorsque vous sélectionnez une huile de chaîne :

(Fig. 51)

- Le réservoir d'huile suffit pour environ trois charges de batterie. Ceci s'applique uniquement si vous utilisez une huile de chaîne correcte. Si l'huile de chaîne est trop fluide, elle ne dure pas aussi longtemps.
- L'huile de chaîne doit montrer une bonne adhérence à la chaîne tout en conservant ses caractéristiques d'écoulement pendant la chaleur de l'été et le froid de l'hiver.
- Utilisez une huile adaptée à la température de l'air (viscosité appropriée). Les températures inférieures à 0 °C (32 °F) rendent certaines huiles visqueuses. Ceci peut causer une surcharge de la pompe à huile, endommageant les pièces de la pompe.
- Utilisez les équipements de coupe recommandés. Un guide-chaîne trop long consomme davantage d'huile de chaîne.
- Consultez votre atelier d'entretien lorsque vous sélectionnez une huile de chaîne.



AVERTISSEMENT: N'utilisez pas de l'huile usagée ! L'huile usagée est dangereuse pour vous et pour l'environnement. L'huile usagée peut aussi endommager la pompe à huile, le guide-chaîne et la chaîne.



AVERTISSEMENT: Vous seul, en ayant la bonne méthode de travail, pouvez empêcher les rebonds.



AVERTISSEMENT: Si la lubrification de l'équipement de coupe n'est

Pour brancher le chargeur de batterie

1. Branchez le chargeur de batterie sur une prise électrique dont les caractéristiques de tension et de fréquence correspondent aux spécifications mentionnées sur la plaque signalétique.
2. Branchez le cordon dans une prise électrique mise à la terre.

Remarque: la batterie ne charge pas si la température de la batterie est supérieure à 50 °C/122 °F. Dans le cas contraire, le chargeur de batterie refroidit la batterie.

Pour charger la batterie

Remarque: Chargez la batterie si vous l'utilisez pour la première fois. Une batterie neuve n'est chargée qu'à 30 %.

1. Insérez la batterie dans le chargeur de batterie. (Fig. 52)
2. Assurez-vous que le témoin de charge vert du chargeur de batterie s'allume. La présence de ce témoin signifie que la batterie est correctement connectée au chargeur de batterie. (Fig. 53)
3. La batterie est totalement rechargée quand toutes les DEL sur la batterie sont allumées. (Fig. 54)
4. Pour débrancher le chargeur de batterie de la prise d'alimentation secteur, tirez sur la fiche. Ne tirez pas sur le câble.
5. Déconnectez la batterie du chargeur de batterie.

Remarque: Reportez-vous aux manuels de la batterie et du chargeur de batterie pour plus d'informations.

Pour démarrer le produit

1. Contrôlez la gâchette de puissance et son blocage. Consultez la section *Pour contrôler le blocage de la gâchette de puissance à la page 168*.
2. Poussez la protection anti-rebond vers l'avant pour serrer le frein de chaîne. (Fig. 38)
3. Placez la batterie dans le support de batterie. (Fig. 55)
4. Appuyez sur la partie inférieure de la batterie jusqu'à ce que vous entendiez un déclic.



REMARQUE: Si la batterie ne bouge pas facilement dans le support de batterie, cela indique qu'elle n'est pas fixée correctement dans le support de batterie.

(Fig. 56)

5. Appuyez sur le bouton marche/arrêt et maintenez-le enfoncé jusqu'à ce que la LED verte s'allume. (Fig. 57)

Pour utiliser la fonction SavE

Ce produit est équipé d'une fonction d'économie de la batterie, appelée SavE. La fonction SavE réduit la vitesse de la chaîne et allonge la durée de fonctionnement de la batterie.

Remarque: La fonction SavE ne réduit pas la puissance de coupe du produit.

1. Appuyez sur le bouton SavE sur le clavier.
2. Assurez-vous que la LED verte s'allume.
3. Appuyez à nouveau sur le bouton SavE pour arrêter la fonction. La LED verte s'éteint. (Fig. 58)

Pour arrêter le produit

1. Appuyez sur le bouton marche/arrêt du clavier et maintenez-le enfoncé jusqu'à ce que la LED verte s'éteigne. (Fig. 57)
2. Retirez la batterie en appuyant sur les boutons de libération de la batterie pour la retirer du support de batterie. (Fig. 59)



AVERTISSEMENT: Retirez la batterie lorsque vous n'utilisez pas le produit ou ne l'avez pas dans votre champ de vision. L'objectif est d'éviter tout démarrage accidentel.

Informations sur le rebond



AVERTISSEMENT: un rebond peut causer des blessures graves, voire mortelles, à l'opérateur ou à d'autres personnes. Afin de réduire ce risque, vous devez connaître les causes du rebond et savoir comment les éviter.

Un rebond se produit lorsque la zone de rebond du guide-chaîne touche un objet quelconque. Un rebond peut être soudain et fort et projeter le produit vers l'opérateur.(Fig. 60)

Le rebond se produit toujours dans le plan du guide-chaîne. Généralement, le produit est projeté contre l'opérateur, mais il peut aussi se déplacer dans une autre direction. C'est la façon dont vous utilisez le produit au moment du rebond qui détermine le sens du déplacement.(Fig. 61)

Le rebond ne peut se produire que lorsque la zone de rebond du guide-chaîne touche un objet quelconque. Ne laissez la zone de rebond entrer en contact avec aucun objet.(Fig. 60)

Un rayon du nez de guide-chaîne plus petit diminue la force du rebond.

Utilisez une chaîne à faible rebond pour réduire les effets de rebond. Ne laissez la zone de rebond entrer en contact avec aucun objet.



AVERTISSEMENT: aucune chaîne ne permet d'empêcher complètement le rebond. Respectez toujours les instructions.

Pour utiliser la technique de coupe



AVERTISSEMENT: Utilisez la puissance maximum pour couper et réduisez la vitesse au ralenti après chaque coupe.



REMARQUE: Ne laissez pas le moteur fonctionner trop longtemps sans charge. Cela peut endommager le moteur.

1. Placez le tronc sur un chevalet ou un coulisseau. (Fig. 62)



AVERTISSEMENT: Ne coupez pas des troncs empilés. Cela augmente le risque de rebond et peut causer des blessures graves, voire mortelles.

2. Retirez les morceaux sciés de la zone de travail.



AVERTISSEMENT: Couper des morceaux dans la zone de travail augmente le risque de rebond et de perte d'équilibre.

Coupe d'un tronc au sol

1. Coupez le tronc avec la méthode tirée. Utilisez la puissance maximum tout en restant attentif à des accidents soudains éventuels. (Fig. 63)



AVERTISSEMENT: Vérifiez que la chaîne ne touche pas le sol lorsque vous terminez le trait de coupe.

2. Coupez environ $\frac{2}{3}$ dans le tronc, puis arrêtez-vous. Retournez le tronc et coupez depuis l'autre côté. (Fig. 64)

Coupe d'un tronc soutenu à une extrémité



AVERTISSEMENT: Vérifiez que le tronc ne se casse pas pendant la coupe. Respectez les instructions ci-dessous.

(Fig. 65)

1. Coupez avec la méthode poussée jusqu'à environ $\frac{1}{3}$ du tronc.
2. Coupez le tronc avec la méthode tirée jusqu'à ce que les deux traits de coupe se rejoignent. (Fig. 66)

Coupe d'un tronc soutenu aux deux extrémités



AVERTISSEMENT: Vérifiez que la chaîne ne se coince pas dans le tronc pendant la coupe. Respectez les instructions ci-dessous.

(Fig. 67)

1. Coupez avec la méthode tirée jusqu'à environ $\frac{1}{3}$ du tronc.
2. Coupez la partie restante du tronc avec la méthode poussée pour terminer la coupe. (Fig. 68)



AVERTISSEMENT: Arrêtez le moteur si la chaîne se coince dans le tronc. Utilisez un levier pour écarter l'entaille et retirer le produit. Ne tirez pas sur le produit pour le dégager. Cela peut provoquer des blessures lorsque le produit se dégage subitement.

Pour utiliser la technique d'élagage

Remarque: Pour les branches épaisses, utilisez la technique de coupe. Reportez-vous à la section *Pour utiliser la technique de coupe à la page 164*.



AVERTISSEMENT: Il y a un risque d'accident élevé lorsque vous utilisez la technique d'élagage. Reportez-vous à la section *Informations sur le rebond à la page 163* pour savoir comment éviter le rebond.



AVERTISSEMENT: Coupez les branches une à une. Faites attention lorsque vous retirez des petites branches et ne coupez pas d'arbustes ni de nombreuses petites branches simultanément. De petites branches peuvent se coincer dans la chaîne et empêcher une utilisation sûre du produit.

Remarque: Coupez les branches une par une si nécessaire. (Fig. 69)

1. Retirez les branches sur le côté droit du tronc.
 - a) Maintenez le guide-chaîne sur le côté droit du tronc et maintenez le corps du produit contre le tronc.
 - b) Sélectionnez la technique de coupe applicable pour la tension dans la branche. (Fig. 70)



AVERTISSEMENT: Si vous n'êtes pas sûr de comment couper la branche, consultez un opérateur de tronçonneuse professionnel avant de continuer.

- Retirez les branches au-dessus du tronc.
 - Conservez le produit sur le tronc et laissez le guide-chaîne se déplacer le long du tronc.
 - Coupez avec la méthode poussée. (Fig. 71)
- Retirez les branches sur le côté gauche du tronc.
 - Sélectionnez la technique de coupe applicable pour la tension dans la branche. (Fig. 72)



AVERTISSEMENT: Si vous n'êtes pas sûr de comment couper la branche, consultez un opérateur de tronçonneuse professionnel avant de continuer.

Reportez-vous à *Pour couper un arbre ou une branche sous tension à la page 166* pour savoir comment couper des branches qui sont sous tension.

Utilisation de la technique d'abattage



AVERTISSEMENT: Vous devez avoir de l'expérience pour abattre un arbre. Si possible, participez à une formation sur l'utilisation d'une tronçonneuse. Consultez un utilisateur expérimenté pour en savoir plus.

Maintien d'une distance de sécurité

- Assurez-vous que les personnes à proximité conservent une distance de sécurité d'au moins 2 fois et demie la hauteur de l'arbre. (Fig. 73)
- Veillez à ce que personne ne se trouve dans cette zone dangereuse avant et pendant l'abattage. (Fig. 74)

Calcul du sens de chute

- Étudiez le sens dans lequel l'arbre doit tomber. L'objectif est de l'abattre dans une position où vous pourrez l'élaguer facilement et couper le tronc sans problème. Il est également important que vous puissiez être solidement campé sur vos pieds et évoluer en toute sécurité.



AVERTISSEMENT: En cas de danger ou s'il n'est pas possible d'abattre l'arbre dans son sens de chute naturel, abattez l'arbre dans un autre sens.

- Étudiez le sens de chute naturel de l'arbre. Par exemple, l'inclinaison et la courbure de l'arbre, la direction du vent, l'emplacement des branches et le poids de la neige influent sur le sens de chute.
- Vérifiez s'il y a des obstacles, comme d'autres arbres, des lignes électriques, des routes et/ou des bâtiments à proximité.
- Recherchez des signes de dommages ou de pourrissement éventuels.



AVERTISSEMENT: Si le tronc est pourri, l'arbre risque de tomber avant que vous ayez terminé la coupe.

- Assurez-vous que l'arbre ne comporte aucune branche endommagée ou morte susceptible de se casser et de vous heurter pendant l'abattage.
- Ne laissez pas l'arbre tomber sur un autre arbre encore debout. Décrocher un arbre coincé dans un autre peut s'avérer dangereux et présente un grand risque d'accident. Reportez-vous à la section *Dégagement d'un arbre bloqué à la page 166*. (Fig. 75)



AVERTISSEMENT: Lors des opérations d'abattage délicates, ôtez vos protège-oreilles dès que le sciage est terminé. Il est important d'entendre les sons et les signaux d'avertissement.

Émondage des branches basses et préparation de votre retraite

Coupez toutes les branches à partir de la hauteur d'épaule, puis vers le bas.

- Coupez en utilisant la méthode tirée de haut en bas. Veillez à ce que l'arbre se situe entre vous et le produit. (Fig. 76)
- Retirez les broussailles de la zone de travail autour de l'arbre. Retirez tous les matériaux découpés de la zone de travail.
- Contrôlez la zone en étant attentif aux obstacles tels que des pierres, des branches et des trous. Vous devez avoir une voie de retraite dégagée lorsque l'arbre commence à tomber. La voie de retraite doit être à environ 135° du sens de chute de l'arbre.

- Zone dangereuse
- Voie de retraite
- Sens de chute

(Fig. 77)

Pour abattre un arbre

Husqvarna vous recommande d'effectuer des encoches directionnelles, puis d'utiliser la méthode du coin de sécurité lorsque vous abattez un arbre. La méthode du coin de sécurité permet de créer une bonne charnière et de contrôler le sens d'abattage.



AVERTISSEMENT: N'abattez pas d'arbre dont le diamètre est plus de deux fois supérieur à la longueur du guide-chaîne. Pour cela, vous devez suivre une formation spéciale.

Pour effectuer l'entaille directionnelle

1. Effectuez les entailles directionnelles. Effectuez les entailles directionnelles sur 1/4 du diamètre de l'arbre. Faites un angle de 45° entre l'entaille supérieure et l'entaille inférieure.
 - a) Commencez par l'entaille supérieure. Alignez le repère de sens de chute (A) sur le produit avec le sens de chute de l'arbre (B). Restez derrière le produit et gardez l'arbre à votre droite. Utilisez la méthode tirée.
 - b) Effectuez l'entaille inférieure. Assurez-vous que l'extrémité de l'entaille inférieure se trouve au même point que l'extrémité de l'entaille supérieure. (Fig. 78)
2. Assurez-vous que le trait de chute est bien horizontal et à angle droit (90°) par rapport au sens de chute. Le trait de chute traverse le point d'intersection des deux entailles directionnelles. (Fig. 79)

Pour effectuer le trait de chute

Remarque: Le trait de chute doit être réalisé sur le côté de l'arbre opposé aux entailles directionnelles.

1. Placez le trait de chute à environ 3-5 cm (1,5-2 po) au-dessus de l'entaille directionnelle inférieure. La coupe doit être parfaitement horizontale. (Fig. 80)
2. Si vous disposez d'un patin d'ébranchage, placez-le derrière la charnière.
3. En utilisant la méthode tirée, sélectionnez la puissance maximum et faites avancer lentement la chaîne/le guide-chaîne dans le tronc. Assurez-vous que l'arbre ne tombe pas dans un sens non souhaité.
4. Une fois que la coupe a la profondeur voulue, insérez un coin d'abattage ou un levier d'abattage dans l'entaille. (Fig. 81)
5. Terminez la coupe d'abattage parallèlement au trait de chute. Assurez-vous que la distance entre les deux entailles est d'au moins 1/10 du diamètre du tronc. La section du tronc qui n'est pas coupée est appelée charnière. La charnière guide le sens de chute. (Fig. 82)



AVERTISSEMENT: Si la charnière a disparu ou si elle est trop fine, vous n'avez aucun contrôle sur le sens de chute. C'est également le cas si vous n'avez pas effectué les deux entailles directionnelles correctement.

(Fig. 83)

6. L'arbre tombe alors sous le poids de sa propre force ou sous l'action d'un coin d'abattage ou d'un levier d'abattage. (Fig. 84)

Remarque: Utilisez un guide-chaîne plus long que le diamètre de l'arbre. Cela vous permet d'effectuer le trait de coupe et les entailles directionnelles en un seul coup. Reportez-vous à *Accessoires à la page 174* pour connaître la longueur de guide-chaîne recommandée pour votre produit.

(Fig. 85)

Dégagement d'un arbre bloqué



AVERTISSEMENT: Décrocher un arbre coincé dans un autre peut s'avérer très dangereux et présente un risque élevé d'accident. Restez hors de la zone de danger et n'essayez pas d'abattre un arbre coincé dans un autre arbre.

(Fig. 86)

La procédure la plus sûre consiste à utiliser l'un des treuils suivants :

- Monté sur tracteur (Fig. 87)
- Mobile (Fig. 88)

Pour couper un arbre ou une branche sous tension

1. Déterminez le côté de l'arbre ou de la branche qui est en tension.
2. Déterminez le point de tension maximale. (Fig. 89)
3. Étudiez la procédure la plus sûre pour relâcher la tension.

Remarque: Dans certains cas, la seule procédure sans danger est d'utiliser un treuil et non votre produit.

4. Veillez à rester dans une position dans laquelle l'arbre ou la branche ne peut pas vous heurter lorsque la tension est relâchée. (Fig. 90)
5. Faites une ou plusieurs coupes de profondeur suffisante pour réduire la tension. Coupez au niveau ou à proximité du point de tension maximale. Faites en sorte que l'arbre ou la branche se brise au niveau du point de tension maximale. (Fig. 91)



AVERTISSEMENT: Ne coupez jamais de part en part un arbre ou une branche en tension !



AVERTISSEMENT: Soyez très prudent lorsque vous coupez un arbre qui est en tension. L'arbre risque de se

déplacer rapidement avant ou après la coupe. Cela peut occasionner des blessures graves si vous êtes dans une position incorrecte ou si vous ne coupez pas correctement.

6. Pour couper un arbre/une branche, effectuez 2 à 3 coupes, espacées de 2,5 cm (1 po) et d'une profondeur de 5 cm (2 po). (Fig. 92)

7. Continuez à approfondir les entailles dans l'arbre jusqu'à ce que l'arbre/la branche plie et que la tension soit relâchée. (Fig. 93)
8. Coupez l'arbre/la branche depuis le côté opposé à la courbe, une fois la tension relâchée.

Entretien

Introduction



AVERTISSEMENT: assurez-vous de lire et de comprendre le chapitre sur la sécurité avant de procéder à l'entretien du produit.

Calendrier de maintenance



AVERTISSEMENT: Retirez la batterie avant d'effectuer l'entretien.

La liste ci-dessous indique les étapes d'entretien à effectuer sur le produit. Consultez la section *Entretien à la page 167* pour plus d'informations.

Entretien	Avant chaque utilisation	Toutes les semaines	Une fois par mois
Nettoyez les pièces externes du produit.	X		
Vérifiez que la gâchette de puissance et son blocage fonctionnent en toute sécurité.	X		
Nettoyez le frein de chaîne et vérifiez qu'il fonctionne en toute sécurité. Assurez-vous que le capteur de chaîne n'est pas endommagé. Remplacez-le si nécessaire.	X		
Retournez le guide-chaîne afin de répartir l'usure. Vérifiez que l'orifice de lubrification du guide-chaîne n'est pas bouché. Nettoyez la gorge de la chaîne.	X		
Assurez-vous que le dispositif de coupe et sa protection ne présentent aucune fissure et ne sont pas endommagés. Remplacez le dispositif de coupe ou sa protection s'ils présentent des fissures ou s'ils ont subi un choc.	X		
Assurez-vous que le guide-chaîne et la chaîne sont suffisamment lubrifiés.	X		
Effectuez un contrôle de la chaîne. Recherchez la présence de fissures et assurez-vous que la chaîne n'est pas rigide ou anormalement usée. Remplacez si nécessaire.	X		
Affûtez la chaîne de sciage. Vérifiez sa tension et son état. Vérifiez l'usure du pion d'entraînement et remplacez-le si nécessaire.	X		
Nettoyez la prise d'air du produit.	X		
Assurez-vous que les vis et les écrous sont serrés.	X		
Vérifiez que le clavier fonctionne correctement et n'est pas endommagé.	X		
Limez les bavures éventuelles sur les bords du guide-chaîne.		X	
Contrôlez les connexions entre la batterie et le produit. Contrôlez la connexion entre la batterie et le chargeur de batterie.			X
Videz et nettoyez le réservoir d'huile.			X

Entretien	Avant chaque utilisation	Toutes les semaines	Une fois par mois
Nettoyez les fentes de refroidissement de la tronçonneuse et de la batterie avec de l'air comprimé à faible pression.			X

Entretien et contrôle des dispositifs de sécurité du produit

Pour contrôler la protection anti-rebond

Effectuez régulièrement un contrôle de la protection anti-rebond et de la fonction d'inertie.

1. Vérifier que la protection anti-rebond est intacte et ne laisse apparaître aucun défaut apparent, comme des fissures. (Fig. 94)
2. Assurez-vous que la protection anti-rebond se déplace librement et qu'elle est bien fixée au produit. (Fig. 95)
3. Posez le produit avec le moteur arrêté sur une souche ou toute autre base stable.
4. Tenez la poignée arrière et lâchez la poignée avant. Laissez tomber le produit sur la souche. (Fig. 96)
5. Assurez-vous que le frein de chaîne se serre lorsque le guide-chaîne heurte la souche.

Pour contrôler la commande de frein

1. Placez le produit sur une surface stable, puis démarrez-le. Consultez la section *Introduction à la page 161*.



AVERTISSEMENT: Vérifiez que la chaîne ne touche pas le sol ni tout autre objet.

2. Placez vos doigts et votre pouce autour des poignées et tenez fermement le produit. (Fig. 37)
3. Faites tourner à puissance maximum et inclinez le poignet gauche contre la protection anti-rebond pour serrer le frein de chaîne. La chaîne doit s'arrêter immédiatement. (Fig. 97)



AVERTISSEMENT: Ne lâchez pas la poignée avant.

Pour contrôler le blocage de la gâchette de puissance

1. Assurez-vous que la gâchette de puissance et le blocage de la gâchette de puissance se déplacent librement et que le ressort de rappel fonctionne correctement. (Fig. 98)
2. Appuyez sur le blocage de la gâchette de puissance et assurez-vous qu'il retourne à sa position initiale lorsque vous le relâchez. (Fig. 99)

3. Vérifiez que la gâchette de puissance est bloquée en position de ralenti lorsque le blocage est relâché. (Fig. 100)
4. Démarrez le produit et faites-le tourner à puissance maximum.
5. Lâchez la gâchette de puissance et vérifiez que la chaîne s'arrête et demeure immobile. Si la chaîne tourne lorsque la gâchette de puissance est en position de ralenti, contactez votre atelier d'entretien.

Pour contrôler l'attrape-chaîne

1. Assurez-vous que l'attrape-chaîne n'est pas endommagé.
2. Assurez-vous que le capteur de chaîne est stable et bien fixé au corps du produit. (Fig. 41)

Pour contrôler le clavier

1. Faites démarrer le produit. Voir *Utilisation à la page 161*
2. Appuyez à nouveau sur le bouton marche/arrêt.
3. Assurez-vous que le produit s'arrête lorsque vous appuyez sur le bouton et le maintenez enfoncé. La LED verte s'éteint. (Fig. 57)

Contrôle de la batterie et du compartiment de batterie

1. Nettoyez la batterie et son compartiment à l'aide d'une brosse douce. (Fig. 101)
2. Veillez à bien nettoyer toutes les fentes de refroidissement et tous les connecteurs de batterie.
3. Vérifiez que la batterie n'est pas endommagée et ne présente aucun défaut apparent (fissure, etc.). (Fig. 102)

Contrôle du chargeur de batterie

1. Assurez-vous que le chargeur de batterie et le câble d'alimentation ne sont pas endommagés. Recherchez la présence de fissures et d'autres défauts.

Pour nettoyer le circuit de refroidissement

Le produit est équipé d'un système de refroidissement qui maintient une température de travail aussi basse que possible.

Le système de refroidissement comprend une prise d'air sur le côté gauche du produit et un ventilateur sur le moteur.

1. Nettoyez le système de refroidissement avec une brosse une fois par semaine ou plus fréquemment si nécessaire. (Fig. 103)
2. Assurez-vous que le système de refroidissement n'est pas encrassé ou colmaté.



REMARQUE: Un système de refroidissement encrassé ou colmaté peut entraîner une surchauffe du produit. Ceci peut endommager le piston et le cylindre.

Pour affûter la chaîne de sciage

Informations relatives au guide-chaîne et à la chaîne



AVERTISSEMENT: Portez des gants de protection lorsque vous utilisez ou procédez à la maintenance de la chaîne. Une chaîne immobile peut également provoquer des blessures.

Remplacez un guide-chaîne ou une chaîne usé(e) ou endommagé(e) par la combinaison guide-chaîne/chaîne recommandée par Husqvarna. Cela est nécessaire pour maintenir les fonctions de sécurité du produit. Reportez-vous à la section *Accessoires à la page 174* pour une liste des combinaisons guide-chaîne et chaîne de rechange recommandées.

- Longueur de guide, po/cm. En général, vous trouverez la longueur de guide sur l'extrémité arrière du guide-chaîne.(Fig. 104)
- Nombre de dents par pignon (T).(Fig. 105)
- Pas de chaîne, pouces. La distance entre les maillons entraîneurs de la chaîne doit correspondre à la distance entre les dents sur le pignon de nez du guide-chaîne et le pignon d'entraînement.(Fig. 106)
- Nombre de maillons entraîneurs (pce). Le nombre de maillons entraîneurs est déterminé par le type de guide-chaîne.(Fig. 107)
- Largeur de la rainure du guide-chaîne, pouces/mm. La largeur de rainure du guide-chaîne doit être identique à la largeur des maillons entraîneurs de la chaîne.(Fig. 108)
- Trou de graissage de chaîne et trou du tendeur de chaîne. Le guide-chaîne doit être aligné avec ce produit.(Fig. 109)
- Jauge du maillon entraîneur, mm/po.(Fig. 110)

Informations générales relatives à l'affûtage des dispositifs de coupe

N'utilisez jamais une chaîne dont les dents sont émoussées. Si la chaîne est émoussée, vous devez appliquer plus de pression pour pousser le guide-chaîne dans le bois. Si la chaîne est très émoussée, vous ne produirez pas de copeaux de bois, mais de la sciure.

Une chaîne affûtée avance dans le bois et crée des copeaux de bois long et épais.

La dent de coupe (A) et la jauge de profondeur (B) constituent l'élément coupant de la chaîne et sont appelées « dispositif de coupe ». La différence de hauteur entre ces deux éléments correspond à la profondeur de coupe (réglage de la jauge de profondeur).(Fig. 111)

Lorsque vous affûtez un dispositif de coupe, pensez aux éléments suivants :

- L'angle d'affûtage.(Fig. 112)
- L'angle d'impact.(Fig. 113)
- La position de la lime.(Fig. 114)
- Le diamètre de la lime ronde.(Fig. 115)

Il est difficile d'affûter correctement une chaîne sans équipement adapté. Utilisez la jauge de profondeur Husqvarna. Elle vous aidera à préserver des performances de coupe maximales et un risque de rebond minimal.



AVERTISSEMENT: la force du rebond augmente beaucoup si vous ne respectez pas les instructions d'affûtage.

Remarque: reportez-vous à la section *Pour affûter les dispositifs de coupe à la page 169* pour plus d'informations sur l'affûtage de la chaîne.

Pour affûter les dispositifs de coupe

1. Utilisez une lime ronde et une jauge de profondeur pour affûter les dents de coupe. (Fig. 116)

Remarque: reportez-vous à la section *Accessoires à la page 174* pour plus d'informations sur la jauge de profondeur recommandée par Husqvarna pour votre chaîne.

2. Appliquez la jauge de profondeur correctement sur la dent. Reportez-vous aux instructions fournies avec la jauge de profondeur.
3. Déplacez la jauge de la face interne de la dent de coupe à la face externe. Réduisez la pression lorsque vous utilisez la méthode tirée. (Fig. 117)
4. Retirez le matériau d'un côté de toutes les dents de coupe.
5. Retournez le produit et retirez le matériau du côté opposé.
6. Assurez-vous que toutes les dents de coupe sont de la même longueur.

Informations générales sur le réglage de la jauge de profondeur

Le réglage de la jauge de profondeur (C) diminue lors de l'affûtage de la dent de coupe (A). Afin de préserver des performances de coupe optimales, vous devez

retirer le matériau d'affûtage de la jauge de profondeur (B) pour sélectionner le réglage de la jauge de profondeur recommandé. Voir *Accessoires à la page 174* pour des instructions sur la méthode de réglage correct de la jauge de profondeur pour votre chaîne.

(Fig. 118)



AVERTISSEMENT: Le risque de rebond augmente si le réglage de la jauge de profondeur est trop important !

Pour régler la jauge de profondeur

Avant d'ajuster le réglage de la jauge de profondeur ou d'affûter les dispositifs de coupe, reportez-vous à la section *Pour affûter les dispositifs de coupe à la page 169* pour obtenir des instructions. Nous recommandons de régler la jauge de profondeur tous les trois affûtages des dents de coupe.

Nous vous recommandons d'utiliser notre gabarit d'affûtage pour obtenir l'épaisseur souhaitée et le bon angle pour la jauge de profondeur.

(Fig. 119)

1. Pour le réglage de la jauge de profondeur, utilisez une lime plate et un gabarit d'affûtage. Utilisez uniquement le gabarit d'affûtage Husqvarna pour obtenir l'épaisseur souhaitée et le bon angle pour la jauge de profondeur.
2. Placez le gabarit d'affûtage sur la chaîne.

Remarque: Consultez l'emballage du gabarit d'affûtage pour plus d'informations sur son utilisation.

3. Utilisez une lime plate pour retirer la partie de la jauge de profondeur qui dépasse du gabarit d'affûtage. (Fig. 120)

Pour serrer la chaîne



AVERTISSEMENT: Une chaîne dont la tension est incorrecte peut se désolidariser du guide-chaîne et provoquer des blessures graves, voire mortelles.

Plus on utilise une chaîne, plus elle s'allonge. Il est important de régler la chaîne régulièrement.

Vérifiez la tension de la chaîne chaque fois que vous faites l'appoint en huile de chaîne.

Remarque: Une nouvelle chaîne exige une période de rodage durant laquelle vous devez vérifier la tension plus souvent.

1. Repliez le bouton vers l'extérieur jusqu'à ce qu'il s'ouvre. (Fig. 121)

2. Tournez le bouton dans le sens contraire des aiguilles d'une montre pour libérer le couvercle du pignon d'entraînement. (Fig. 122)
3. Tournez la molette du tendeur de chaîne pour régler la tension de la chaîne. La chaîne doit être plaquée contre le guide-chaîne. (Fig. 123)

Remarque: Tournez la molette vers le bas (+) pour augmenter la tension et vers le haut (-) pour la réduire. La scie est bien serrée lorsque vous pouvez la faire tourner facilement à la main, mais qu'elle est néanmoins plaquée contre le guide-chaîne.

4. Tournez le bouton dans le sens des aiguilles d'une montre pour serrer le bouton du guide-chaîne. (Fig. 124)
5. Rabattez le bouton pour verrouiller la tension. (Fig. 125)

Pour contrôler la lubrification de la chaîne de sciage

Contrôlez la lubrification de la chaîne toutes les trois charges de batterie.

1. Démarrez le produit et faites-le tourner aux 3/4 de sa puissance. Maintenez la barre environ 20 cm (8 po) au-dessus d'une surface claire.
2. Si la lubrification de la chaîne est correcte, vous verrez une ligne d'huile claire à la surface au bout d'une minute. (Fig. 126)
3. Si la lubrification de la chaîne n'est pas correcte, procédez aux contrôles suivants.
 - a) Contrôlez le canal de lubrification du guide-chaîne pour vous assurer qu'il n'est pas obstrué. Nettoyez-la si nécessaire. (Fig. 127)
 - b) Contrôlez la rainure au bord du guide-chaîne pour vous assurer qu'elle est propre. Nettoyez-la si nécessaire. (Fig. 128)
 - c) Vérifiez que le pignon du nez de guide-chaîne tourne librement et que l'orifice de lubrification situé à cet endroit n'est pas obstrué. Nettoyez et graissez au besoin. (Fig. 129)
4. Si la lubrification de la chaîne ne fonctionne pas après les étapes ci-dessus, contactez votre atelier d'entretien.

Pour faire l'entretien du pignon d'entraînement de la chaîne.

Le système d'entraînement est équipé d'un pignon d'entraînement.

(Fig. 130)

Effectuez les opérations d'entretien suivantes sur le pignon d'entraînement de la chaîne :

1. Effectuez régulièrement un contrôle du degré d'usure du pignon d'entraînement. Remplacez le pignon d'entraînement si l'usure est trop importante.

2. Remplacez le pignon d'entraînement en même temps que la chaîne.

Pour inspecter l'équipement de coupe

1. Assurez-vous que les rivets et les maillons ne sont pas fissurés et qu'aucun des rivets n'est desserré. Remplacez-les si nécessaire. (Fig. 131)
2. Vérifiez que la chaîne peut être courbée facilement. Remplacez la chaîne si elle est rigide.
3. Comparez la chaîne à une chaîne neuve pour déterminer si les rivets et les maillons sont usés.
4. Remplacez la chaîne lorsque la partie la plus longue de la dent de coupe est inférieure à 4 mm/0,16 po. Remplacez également la chaîne en cas de fissures sur les dispositifs de coupe. (Fig. 132)
2. Contrôlez l'absence de bavures sur les bords du guide-chaîne. Retirez les bavures avec une lime. (Fig. 133)
3. Nettoyez la rainure du guide-chaîne. (Fig. 128)
4. Examinez l'usure de la rainure du guide-chaîne. Remplacez le guide-chaîne si nécessaire. (Fig. 134)
5. Vérifiez si le nez du guide-chaîne est rugueux ou très usé. (Fig. 135)
6. Vérifiez que le pignon du nez du guide-chaîne tourne librement et que l'orifice de lubrification situé à cet endroit n'est pas obstrué. Nettoyez-le et lubrifiez-le si nécessaire. (Fig. 129)
7. Retournez le guide-chaîne tous les jours pour prolonger sa durée de vie. (Fig. 136)

Pour contrôler le guide-chaîne

1. Assurez-vous que la conduite d'huile n'est pas obstruée. Nettoyez-la si nécessaire. (Fig. 127)

Dépannage

Guide de dépannage

FR Table 19: Clavier

Codes d'erreur susceptibles de s'afficher sur le clavier du produit.

Affichage à LED	Défaillances possibles	Action possible
Témoin d'avertissement clignote.	Frein de chaîne enclenché.	Tirez l'arceau vers l'arrière pour désactiver le frein de chaîne.
	Écart de température.	Laissez le produit refroidir.
	Surcharge. Équipement de coupe coincé.	L'équipement de coupe est coincé. Relâchez l'équipement de coupe.
	Il convient d'appuyer simultanément sur la gâchette de puissance et le bouton d'activation.	Relâchez la gâchette de puissance pour activer le produit.
La diode verte clignote.	Tension de batterie faible.	Rechargez la batterie.
Témoin d'avertissement s'allume.	Service.	Contactez votre atelier d'entretien.

FR Table 20: Batterie

Résolution des problèmes liés à la batterie et/ou au chargeur de batterie pendant une phase de charge.

Affichage à LED	Défaillances possibles	Action possible
Témoin d'avertissement clignote.	La batterie est déchargée.	Rechargez la batterie.
	Écart de température.	Utilisez la batterie dans des environnements dont la température est comprise entre -10 °C (14 °F) et 40 °C (104 °F).
	Surtension.	Contrôlez que la tension secteur est conforme aux indications sur la plaque signalétique du produit. Dégagez la batterie du chargeur de batterie.
Témoin d'avertissement s'allume.	L'écart de tension entre les cellules est trop important (1 V).	Contactez votre atelier d'entretien.

FR Table 21: Chargeur de batterie

Affichage à LED	Défaillances possibles	Action possible
Témoin d'avertissement clignote.	Écart de température.	Utilisez la batterie dans des environnements dont la température est comprise entre 5 °C (41 °F) et 40 °C (104 °F).
Témoin d'avertissement s'allume.		

Transport, entreposage et mise au rebut

Transport et stockage

- Les batteries Li-ion fournies respectent les exigences de la législation sur les marchandises dangereuses.
- Vous devez respecter l'exigence spécifique relative à l'emballage et aux étiquettes pour les transports commerciaux, y compris par des tiers et des transitaires.
- Consultez un expert en matières dangereuses avant d'expédier le produit. Respectez les lois nationales en vigueur.
- Mettez du ruban adhésif sur les contacts lorsque vous placez la batterie dans un emballage. Placez la batterie dans l'emballage de façon hermétique pour empêcher tout mouvement.
- Retirez la batterie lors du stockage ou du transport.
- Placez la batterie et le chargeur de batterie dans un endroit sec, exempt d'humidité et de gel.
- Ne conservez pas la batterie dans un endroit présentant un risque d'électricité statique. Ne conservez pas la batterie dans une boîte métallique.
- Conservez la batterie dans un endroit où la température est comprise entre 5 °C (41 °F) et 25 °C (77 °F) et à l'écart de la lumière du soleil.
- Conservez le chargeur de batterie dans un endroit où la température est comprise entre 5 °C (41 °F) et 45 °C (113 °F) et à l'écart de la lumière du soleil.
- N'utilisez le chargeur de batterie que si la température ambiante est comprise entre 5 °C (41 °F) et 40 °C (104 °F).
- Chargez la batterie entre 30 % et 50 % avant de la remettre pendant de longues périodes.
- Conservez le chargeur de batterie dans un local fermé et sec.
- Conservez la batterie à l'écart du chargeur lors du rangement. Ne laissez pas des enfants ou d'autres personnes non homologuées toucher l'équipement. Conservez l'équipement dans un local verrouillable.
- Nettoyez le produit et effectuez un entretien complet avant de remettre le produit pendant de longues périodes.
- Utilisez la protection de transport du produit pour éviter les blessures et les dégâts causés au produit lors du transport et du remisage.

- Fixez le produit pour le transporter.

Mise au rebut de la batterie, du chargeur de batterie et du produit

Le symbole ci-dessous indique que le produit ne fait pas partie des ordures ménagères. Déposez-le dans une station de recyclage pour équipements électriques et

électroniques. Ceci permet d'éviter les dangers pour l'environnement et les personnes.

Consultez les autorités locales, le service des ordures ménagères ou votre revendeur pour plus d'informations.

(Fig. 21)

Remarque: Le symbole apparaît sur le produit ou l'emballage du produit.

Caractéristiques techniques

Caractéristiques techniques

	120i
Modèle	CS100EU
Moteur	
Type	BLDC (sans balais) 36 V
Caractéristiques	
Mode faible consommation	savE
Système de lubrification	
Type de pompe à huile	Automatique
Capacité du réservoir d'huile, en litres	0,20
Poids	
Tronçonneuse sans batterie, guide-chaîne, chaîne et réservoir d'huile de chaîne vide, kg	2,95
Émissions sonores ¹⁹	
Niveau de puissance sonore mesuré dB(A)	98
Niveau de puissance sonore, garanti L _{WA} dB(A)	101
Niveaux sonores ²⁰	
Niveau acoustique équivalent à l'oreille de l'utilisateur, dB(A)	88
Niveaux de vibrations ²¹	3,8
Chaîne/guide-chaîne	
Longueurs de guide recommandées, pouces/cm	12/30
Longueur de coupe effective, pouces/cm	10/26

¹⁹ Émissions sonores dans l'environnement mesurées comme puissance sonore (L_{WA}) selon la directive européenne CE 2000/14/CE.

²⁰ le niveau de pression sonore équivalent, selon la norme ISO 22868, correspond à la somme d'énergie pondérée en fonction du temps pour divers niveaux de pression sonore à différents régimes. La dispersion statistique type pour le niveau de pression sonore équivalent se traduit par une déviation standard de 2,5 dB (A).

²¹ Le niveau de vibrations indiqué concerne la poignée avec les valeurs les plus élevées. La dispersion statistique typique pour le niveau de vibrations est de 1,5 m/s.

	120i
Type de roue d'entraînement/nombre de dents	Spur/6
Vitesse de chaîne maximum/(SavE), m/s	11,5 (10)

Accessoires

Combinaisons de guide-chaînes et de chaînes

Les accessoires de coupe suivants sont homologués pour les produits Husqvarna 120i.


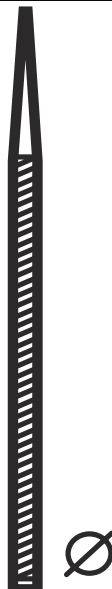
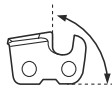
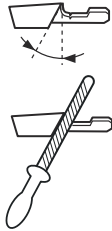

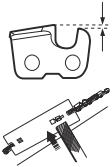
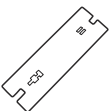

Guide-chaîne				Chaîne	
Longueur, pouces	Pas de chaîne, pouces	Largeur de rainure, mm	Rayon max. du nez	Type	Combinaisons guide-chaîne et chaîne
12	3/8	1,1	7T	Husqvarna H38	45

Équipement et angles d'affûtage

Utilisez un gabarit de lime Husqvarna pour obtenir les angles d'affûtage corrects. Nous vous recommandons de toujours utiliser un gabarit de lime Husqvarna pour

rétablir le tranchant de la chaîne. Les références sont indiquées dans le tableau ci-dessous.

Si vous ne savez pas quelle chaîne est installée sur votre produit, contactez votre atelier d'entretien.

							
38	4,5 mm/ 11/64 po	75°	30°	0°	0,65 mm/ 0,025 po	5056981-03	5795588-01

Batteries agréées

Utilisez uniquement des batteries Husqvarna d'origine BLI pour ce produit.

Batteries homologuées pour le produit

Batterie	BLi20		BLi22	
Type	Lithium-ion		Lithium-ion	
Capacité de la batterie, Ah	4,2 (DCV4)	4 (HD2)	4,2 (DCV4)	4.0 (EVE 20P)
Tension, V	36	36,5	36	36
Poids, lb/kg	2,6/1,2	2,6/1,2	2,6/1,2	2,6/1,2

Chargeurs de batterie homologués pour le produit

Chargeur de batterie	QC80
Tension secteur, V	100-240
Fréquence, Hz	50-60
Puissance, W	100

Chargeur de batterie	QC80
Tension de sortie, V d.c / Ampères, A	36/2

Déclaration de conformité CE

Déclaration de conformité CE

Husqvarna AB, SE-561 82 Huskvarna, Sweden, tél. : +46-36-146500, déclarons, sous notre seule responsabilité, que les tronçonneuses sans fil à batterie **Husqvarna 120i (plateforme CS100EU)** à partir des numéros de série de l'année de fabrication 2016 et au-delà (l'année est indiquée en clair sur la plaque signalétique et suivie d'un numéro de série) sont conformes aux dispositions de la DIRECTIVE EUROPÉENNE :

- du 17 mai 2006 « relative aux machines » **2006/42/CE**.
- du 26 février 2014 « relative à la compatibilité électromagnétique » **2014/30/UE**.
- du 8 juin 2011 « relative à la limitation de l'utilisation de certaines substances dangereuses » **2011/65/UE**
- du 8 mai 2000 « émissions sonores dans l'environnement » **2000/14/CE**.

Les normes harmonisées suivantes ont été appliquées : **EN 60745-1:2009+A11:2010, EN 60745-2-13:2009+A1:2010, EN 55014-1:2006+A1:2009+A2:2011, EN 61000-4-2:2009, EN 61000-4-3:2006+A1:2008, EN IEC63000:2018.**

L'organisme notifié : TÜV Rheinland LGA Products GmbH, Tillystrasse 2, D-90431 Nuernberg, Germany, 0197, a procédé à des tests de type européen conformément à l'article 12, paragraphe 3b de la directive « Machines » (2006/42/CE).

Le certificat porte le numéro : **BM 50356394 0001**

La tronçonneuse livrée est conforme à l'exemplaire qui a été soumis au test de type CE.

Pour toute information relative aux émissions sonores, veuillez consulter *Caractéristiques techniques à la page 173*.

Huskvarna, 20181031



Pär Martinsson, Directeur du développement
(Représentant autorisé de Husqvarna AB et responsable de la documentation technique.)

Inhoud

Inleiding.....	178	Probleemoplossing.....	195
Veiligheid.....	179	Vervoer, opslag en verwerking.....	197
Montage.....	186	Technische gegevens.....	197
Werking.....	186	Accessoires.....	198
Onderhoud.....	191	EG verklaring van overeenstemming.....	201

Inleiding

Productbeschrijving

Dit product is een kettingzaagmodel met een elektromotor.

Er wordt voortdurend gewerkt aan het verhogen van uw veiligheid en efficiëntie tijdens bedrijf. Neem voor meer informatie contact op met uw servicedealer.

Productoverzicht

(Fig. 1)

1. Terugslagbeveiliging
2. Toetsenbord
3. SavE-knop
4. Waarschuwingslampje
5. Start/stop-knop
6. Vergrendeling voedingsschakelaar
7. Achterhandgreep met rechterhandbescherming
8. Ventilatorbehuizing
9. Kettingolietank
10. Acculader
11. Snoer
12. Waarschuwingslampje
13. Connector
14. Bedieningshandleiding
15. Geleiderkap
16. Afdekking kettingwielaandrijving
17. Kettingspannerwiel
18. Knop
19. Kettingvanger
20. Schorssteun
21. Neuswiel
22. Zaagketting
23. Geleider
24. Voorhandgreep
25. Voedingsschakelaar
26. Accu
27. Accuontgrendelknoppen
28. Accustatus
29. Knop, accustatus
30. Waarschuwingslampje

Gebruik

Dit product is bestemd voor houtzagen.

Let op: Nationale wetgeving kan het gebruik van dit product mogelijk beperken.

Symbolen op het product

- (Fig. 2) Risico op ernstig letsel of overlijden van de gebruiker of anderen. Wees voorzichtig en gebruik het product op de juiste manier.
- (Fig. 3) Lees de bedieningshandleiding aandachtig door en zorg ervoor dat u de instructies begrijpt alvorens dit product te gebruiken.
- (Fig. 4) Draag een goedgekeurde veiligheidshelm, gehoor- en oogbescherming.
- (Fig. 5) Dit apparaat voldoet aan de geldende EG-richtlijnen.
- (Fig. 6) Geluidsemisies naar de omgeving volgens de Europese richtlijn 2000/14/EG en de wetgeving van Nieuw-Zuid-Wales "Protection of the Environment Operations (Noise Control) Regulation 2017". De geluidsemisiegelgegevens vindt u op het machinelabel en in het hoofdstuk Technische gegevens.
- (Fig. 7) De gebruiker moet steeds beide handen gebruiken om deze motorkettingzaag te bedienen.
- (Fig. 8) Bedien de motorkettingzaag niet met één hand.
- (Fig. 9) Laat de punt van het zaagblad geen objecten raken.

- (Fig. 10) Waarschuwing! Terugslag kan optreden wanneer de punt van de geleider een voorwerp raakt. Hierdoor schiet de geleider in de richting van de gebruiker. Risico op ernstig letsel of de dood.
- (Fig. 11) De richting waarin de zaagketting roteert en maximale lengte van het zaagblad.
- (Fig. 12) Kettingrem, ingeschakeld (rechts). Kettingrem, uitgeschakeld (links).
- (Fig. 13) Zaagkettingolie aanbrenen.
- (Fig. 14) Gelijkstroom.
- (Fig. 15) Stel het product niet bloot aan regen.
- (Fig. 16) **Milieumarkering.** Het product of de verpakking ervan is geen huishoudelijk afval. Lever het in bij een recyclepunt voor elektrische en elektronische apparatuur.
- (Fig. 20) Het productplaatje toont het serienummer. **jjj** is het productiejaar, **ww** is de productieweek.

Let op: Andere symbolen/stickers op het product hebben betrekking op certificeringseisen voor bepaalde markten.

Symbolen op de accu en/of op de accuhouder.

- (Fig. 21) Lever dit product in bij een recyclepunt voor elektrische en elektronische apparatuur. (Alleen geldig voor Europa)
- (Fig. 17) Faalveilige transformator.
- (Fig. 18) Bewaar en gebruik de acculader alleen binnen.
- (Fig. 19) Dubbele isolatie.

Veiligheid

Veiligheidsdefinities

De onderstaande definities geven de mate van ernst weer voor elk trefwoord.



WAARSCHUWING: Letsel aan personen.



OPGELET: Schade aan het product.

Let op: Deze informatie maakt het product eenvoudiger in gebruik.

Algemene veiligheidswaarschuwingen voor elektrisch gereedschap



WAARSCHUWING: Lees alle veiligheidswaarschuwingen en alle instructies. Het niet opvolgen van de waarschuwingen en instructies kan leiden tot elektrische schokken, brand en/of ernstig letsel.

Let op: Bewaar alle waarschuwingen en instructies voor later gebruik. De term "elektrisch gereedschap" in de waarschuwingen verwijst zowel naar gereedschappen die op het lichtnet (met snoer) werken als gereedschappen die met een accu (snoerloos) werken.

Veiligheid van het werkgebied

- **Zorg ervoor dat de werkplek schoon en goed verlicht is.** In rommelige of donkere gebieden gebeuren eerder ongelukken.
- **Gebruik elektrisch gereedschap niet in een omgeving waar ontploffingsgevaar bestaat, zoals in de buurt van brandbare vloeistoffen, gassen of stof.** Elektrische apparaten creëren vonken waardoor het stof of de dampen kunnen ontbranden.
- **Houd kinderen en omstanders op afstand wanneer u elektrisch gereedschap gebruikt.** U kunt de controle over het apparaat verliezen als u afgeleid wordt.

Elektrische veiligheid

- **Elektrisch gereedschap moet geschikt zijn voor het betreffende stopcontact. Wijzig nooit de stekker. Gebruik nooit een adapterstekker in combinatie met geaarde elektrische gereedschappen.** Ongewijzigde stekkers en overeenkomende stopcontacten verkleinen het risico op elektrische schokken.

- **Vermijd lichamelijk contact met gearde oppervlakken, zoals buizen, radiatoren, fornuizen en koelkasten.** Er is een verhoogd risico op elektrische schokken als uw lichaam geaard is.
- **Stel elektrische gereedschappen niet bloot aan regen of vochtige omstandigheden.** Water dat in elektrisch gereedschap binnendringt, verhoogt het risico op elektrische schokken.
- **Gebruik het snoer niet voor oneigenlijke doeleinden. Gebruik het snoer nooit om het elektrische apparaat aan te dragen, te trekken of om de stekker uit het stopcontact te trekken. Houd het snoer uit de buurt van warmte, olie, scherpe randen of bewegende onderdelen.** Beschadigde of in de knoop geraakte snoeren verhogen het risico op elektrische schokken.
- **Gebruik een verlengsnoer dat geschikt is voor gebruik buitenshuis wanneer u buiten werkt met elektrisch gereedschap.** Het gebruik van een snoer dat geschikt is voor gebruik buitenshuis vermindert het risico op elektrische schokken.
- **In het geval dat het onvermijdelijk is om elektrisch gereedschap in een vochtige locatie te gebruiken, maak dan gebruik van een voeding die beschermd wordt door een aardlekbeveiliging (GFCI).** Het gebruik van een aardlekbeveiliging verlaagt het risico op elektrische schokken.
- **Draag geschikte kleding. Draag geen losse kleding of sieraden. Houd uw haar, kleding en handschoenen uit de buurt van bewegende onderdelen.** Losse kleding, sieraden of lang haar kunnen verstrikt raken in bewegende onderdelen.
- **Als de mogelijkheid bestaat voor het opvangen van stof moet u ervoor zorgen dat deze is aangesloten en op de juiste wijze wordt gebruikt.** Het gebruik van stofopvang kan stofgerelateerde gevaren beperken.
- De trillingsemissie tijdens het feitelijke gebruik van de machine kan afwijken van de opgegeven totaalwaarde en is afhankelijk van de manier waarop het gereedschap wordt gebruikt. Om zichzelf te beschermen, moeten gebruikers de nodige veiligheidsmaatregelen nemen op basis van een schatting van de blootstelling in de feitelijke gebruiksomstandigheden. Hierbij moet rekening worden gehouden met alle elementen van de bedrijfscyclus, dus niet alleen de tijd dat het gereedschap actief wordt gebruikt, maar ook de tijd dat het gereedschap is uitgeschakeld of stationair draait.

Gebruik en verzorging van elektrische apparaten

- **Gebruik elektrische gereedschap niet voor taken waarvoor het niet geschikt is. Gebruik het juiste elektrische apparaat voor uw toepassing.** Met het juiste elektrische apparaat kunt u de taak beter en veiliger uitvoeren met de snelheid waarvoor het is ontworpen.
- **Gebruik het elektrisch gereedschap niet als de aan/uitschakelaar niet werkt.** Elektrische apparaten die niet bediend kunnen worden met de schakelaar zijn gevaarlijk en moeten gerepareerd worden.
- **Haal de stekker uit het stopcontact en/of verwijder de accu van het elektrische gereedschap voordat u aanpassingen maakt, accessoires verwisselt of het elektrische gereedschap opbergt.** Deze voorzorgsmaatregelen verkleinen het risico op het per ongeluk starten van het elektrische apparaat.
- **Berg elektrisch gereedschap dat u niet nodig hebt op buiten het bereik van kinderen en laat personen die onbekend zijn met het elektrisch gereedschap of deze instructies niet werken met het elektrisch gereedschap.** Elektrische apparaten zijn gevaarlijk in handen van ongetrainde gebruikers.
- **Onderhoud elektrisch gereedschap goed. Controleer op onjuiste montage of vastlopen van bewegende delen, gebroken onderdelen en andere condities die de werking van het elektrische gereedschap kunnen beïnvloeden. Als het elektrische apparaat beschadigd is, moet u het laten repareren voordat u het gebruikt.** Veel ongelukken worden veroorzaakt door slecht onderhouden elektrische apparaten.
- **Houd snijgereedschappen scherp en schoon.** Goed onderhouden snijgereedschappen met scherpe snijranden zullen minder gauw vastlopen en zijn eenvoudiger onder controle te houden.

Personlijke veiligheid

- **Wees altijd alert, kijk wat u doet en gebruik uw gezonde verstand wanneer u elektrisch gereedschap gebruikt. Gebruik een elektrisch apparaat niet als u moe bent of onder invloed bent van drugs, alcohol of medicijnen.** Een moment van onoplettendheid tijdens het gebruik van elektrische apparaten kan leiden tot ernstig persoonlijk letsel.
- **Maak altijd gebruik van persoonlijke beschermingsmiddelen. Draag altijd oogbescherming.** Beschermingsmiddelen zoals een stofmasker, veiligheidsschoenen met antislipprofiel, een veiligheidshelm of gehoorbescherming in relevante werkomstandigheden beperken letsel.
- **Voorkom een onbedoelde start. Zorg ervoor dat de schakelaar in de uit-positie staat voordat u het gereedschap aansluit op een spanningsbron en/of accu, oppakt of draagt.** Het dragen van elektrische apparaten met uw vinger op de schakelaar of het onder spanning zetten van elektrische apparaten waarvan de schakelaar op aan staat, kan makkelijk leiden tot ongelukken.
- **Verwijder eventuele (instel)sleutels voordat u het elektrisch gereedschap inschakelt.** Een sleutel die is bevestigd aan een draaiend onderdeel van het elektrische gereedschap kan persoonlijk letsel tot gevolg hebben.
- **Voorkom overstreken. Zorg dat u te allen tijde stevig en in balans staat.** Hierdoor heeft u een betere controle over het apparaat in onverwachte situaties.

- **Gebruik het elektrisch gereedschap, de accessoires, gereedschapsbits en dergelijke in overeenstemming met deze instructies en houd hierbij rekening met de werkomstandigheden en het type klus dat moet worden uitgevoerd.** Als u het elektrische apparaat voor andere toepassingen gebruikt dan waarvoor het is bedoeld, kan er een gevaarlijke situatie ontstaan.

Gebruik en onderhoud van gereedschap met accu

- **Laad het gereedschap alleen op met de lader die door de fabrikant is gespecificeerd.** Een lader die voor een bepaald type accu geschikt is, kan een risico op brand creëren als de lader met een andere accu wordt gebruikt.
- **Gebruik elektrisch gereedschap enkel met de specifiek hiervoor bedoelde accu.** Als er andere accupacks worden gebruikt, bestaat er risico op letsel en brand.
- **Als het accupack niet gebruikt wordt, houd hem dan uit de buurt van andere metalen voorwerpen, zoals paperclips, munten, sleutels, spijkers, schroeven of andere kleine metalen voorwerpen die een verbinding tussen de twee klemmen kunnen maken.** Als er kortsluiting tussen de accuaansluitingen ontstaat, kunnen er brandwonden of brand ontstaan.
- **Als het accupack verkeerd wordt gebruikt, kan er vloeistof uit de accu komen; zorg dat u deze niet aanraakt. Als u per ongeluk in contact komt met de vloeistof, afspoelen met water. Als er vloeistof in de ogen komt dient u medische hulp in te roepen.** Vloeistof die uit accu's loopt, kan irritatie of brandwonden veroorzaken.

Service

- **Laat uw elektrische apparaat repareren door een gekwalificeerde monteur en gebruik uitsluitend identieke vervangsonderdelen.** Dit zorgt ervoor dat de veiligheid van het elektrisch gereedschap wordt gehandhaafd.

Veiligheidswaarschuwingen voor de motorkettingzaag

- **Houd alle lichaamsdelen weg van de zaagketting als de motorkettingzaag in werking is. Controleer voordat u de motorkettingzaag start of de zaagketting niets raakt.** Als u even niet oplet, kan uw kleding of lichaam vast komen te zitten in de zaagketting bij het gebruik van een motorkettingzaag.
- **Houd de motorzaag altijd stevig vast met uw rechterhand op het achterste handvat en uw linker handvat op het voorste handvat.** Als u de motorkettingzaag andersom vasthoudt, neemt de kans op persoonlijk letsel toe; doe dat dus nooit.
- **Houd het elektrische gereedschap alleen vast bij het geïsoleerde grijppoppervlak, omdat de zaagketting verborgen bedrading of het eigen snoer kan raken.** Als de zaagketting een draad onder stroom aanraakt, kunnen blootliggende draden de metalen

onderdelen van het elektrische gereedschap onder stroom zetten en kan de gebruiker een elektrische schok krijgen.

- **Draag een veiligheidsbril en gehoorbescherming. We raden u aan verdere beschermingsuitrusting voor hoofd, handen, benen en voeten te gebruiken.** Als u voldoende beschermende kleding draagt, neemt de kans op persoonlijk letsel door rondvliegend vuil of onbedoeld contact met de zaagketting af.
- **Bedien een motorkettingzaag nooit terwijl u in een boom staat.** Als u een motorkettingzaag gebruikt terwijl u in een boom staat, kan dat persoonlijk letsel veroorzaken.
- **Ga altijd goed staan en bedien de motorkettingzaag alleen terwijl u op een vaste, stevige en vlakke ondergrond staat.** Gladde of instabiele oppervlakken, zoals ladders, kunnen ervoor zorgen dat u uw evenwicht of de controle over de motorkettingzaag verliest.
- **Als u een tak doorzaagt die onder spanning staat, zorg dan dat de tak u niet kan raken.** Als de spanning in de houtvezels vrijkomt, kan de geveerde tak de gebruiker raken en/of ervoor zorgen dat de gebruiker de motorkettingzaag niet meer onder controle heeft.
- **Wees zeer voorzichtig als u struiken en jonge bomen zaagt.** Het dunne materiaal kan vast komen te zitten in de zaagketting en naar voren naar u toe zwiepen of u uit uw evenwicht brengen.
- **Draag de motorkettingzaag bij de voorste handgreep met de motorkettingzaag uitgeschakeld en uit de buurt van uw lichaam. Als u de motorkettingzaag vervoert of opbergt, moet u altijd de afdekking over het zaagblad aanbrengen.** Als u de motorkettingzaag goed hanteert, verlaagt u de kans op onbedoeld contact met de bewegende zaagketting.
- **Volg de instructies voor het smeren, het spannen van de ketting en het verwisselen van accessoires.** Als de zaagketting niet goed is gespannen of gesmeerd, kan de ketting breken en neemt de kans op terugslag toe.
- **Houd de handgrepen droog, schoon en vrij van olie en vet.** Vettige, met olie bedekte handgrepen zijn glad, waardoor u de controle kunt verliezen.
- **Zaag alleen hout. Gebruik de motorkettingzaag alleen waarvoor hij is bedoeld. Gebruik de motorkettingzaag bijvoorbeeld niet om plastic, metselwerk of ander bouw materiaal dan hout door te zagen.** Als de motorkettingzaag voor andere toepassingen dan bedoeld wordt gebruikt, kan dat tot gevaarlijke situaties leiden.
- We raden nieuwe gebruikers ten sterkste aan om het zagen van stammen op een zaagbok of -houder te oefenen.

Oorzaken van terugslag en het voorkomen ervan door de gebruiker

Er kan terugslag optreden wanneer de punt van het zaagblad in contact komt met een voorwerp of wanneer

de zaagsnede dichtklapt en de zaagketting in de snede wordt geblokkeerd. Soms kan er bij contact met de punt een reactie in tegengestelde richting ontstaan, waardoor het zaagblad omhoog en naar achteren naar de gebruiker toe komt. Als de zaagketting aan de bovenkant van het zaagblad klem komt te zitten, kan het zaagblad snel op de gebruiker af komen. Bij deze reacties kunt u de controle over de zaag verliezen, wat kan leiden tot ernstig persoonlijk letsel. Vertrouw niet uitsluitend op de veiligheidsvoorzieningen die in de zaag zijn geïntegreerd. Bij het gebruik van een motorkettingzaag moet u een aantal stappen nemen om ongevallen of letsel bij het zagen te voorkomen. Terugslag is het gevolg van verkeerd gebruik en/of verkeerde bedrijfsprocedures of -omstandigheden en kan worden vermeden door de juiste voorzorgsmaatregelen te nemen, zoals hieronder wordt beschreven:

- **Houd de zaag stevig vast, met uw duimen en vingers rond de handgrepen van de motorkettingzaag, met beide handen op de zaag en uw lichaam en arm zodanig geplaatst dat u eventuele terugslag kunt opvangen.** De kracht van een terugslag kan door de gebruiker onder controle worden gehouden, mits de juiste voorzorgsmaatregelen worden genomen. Laat de motorkettingzaag niet los.
- **Reik niet te ver en zaag niet boven schouderhoogte.** Zo voorkomt u onbedoeld contact met de punt en houdt u de motorkettingzaag in onverwachte situaties beter onder controle.
- **Gebruik alleen vervangende zaagbladen en kettingen die door de fabrikant worden gespecificeerd.** Als er verkeerde vervangende zaagbladen en kettingen worden gebruikt, kan de ketting breken en/of kan er terugslag ontstaan.
- **Volg de instructies van de fabrikant voor het slijpen en onderhouden van de zaagketting.** Als de zaagdiepte wordt verkleind, kan de terugslag toenemen.

BEWAAR DEZE INSTRUCTIES.

Algemene veiligheidsinstructies



WAARSCHUWING: Lees de volgende waarschuwingen voordat u het product gaat gebruiken.

- Dit product kan bij onvoorzichtig of onjuist gebruik een gevaarlijk gereedschap zijn. Dit product kan ernstig of fataal letsel toebrengen aan de gebruiker of anderen. Het is erg belangrijk dat u deze gebruiksaanwijzing leest en begrijpt.
- Dit product mag niet worden gewijzigd zonder toestemming van de fabrikant. Gebruik het product niet als iemand anders het heeft gewijzigd en gebruik te allen tijde goedgekeurde accessoires. Wijzigingen die niet door de fabrikant zijn goedgekeurd, kunnen ernstig of fataal letsel tot gevolg hebben voor de gebruiker of anderen.

- Langdurige inhalatie van kettingoliedampen en zaagsel kan gezondheidsproblemen veroorzaken.
- Dit product produceert tijdens bedrijf een elektromagnetisch veld. Dit veld kan onder bepaalde omstandigheden de werking van actieve of passieve medische implantaten verstoren. Om het risico op ernstig of fataal letsel te beperken, raden we personen met een medisch implantaat aan om contact op te nemen met hun arts en de fabrikant van het medische implantaat voordat ze dit product gebruiken.

Veiligheidsinstructies voor bediening



WAARSCHUWING: Lees de volgende waarschuwingen voordat u het product gaat gebruiken.

- De informatie in deze gebruikershandleiding kan vakkennis en ervaring niet vervangen. Als u het apparaat gebruikt in een situatie waarin u zich niet veilig voelt, schakel het apparaat dan direct uit. Neem contact op met uw servicedealer of een professionele kettingzaaggebruiker. Vermijd gebruik waarvan u vindt dat u niet voldoende gekwalificeerd bent!
- Neem contact op met uw servicedealer of Husqvarna als u vragen hebt over de werking van het apparaat. Wij kunnen u informatie geven over hoe u het apparaat effectief en veilig kunt bedienen. Neem, indien mogelijk, deel aan een cursus over het gebruik van een kettingzaag. Uw servicedealer, bosbouwschool of bibliotheek kunnen u meer informatie geven over de beschikbare cursussen en het cursusmateriaal.
- Voordat u dit product gebruikt, moet u weten wat de effecten van terugslag zijn en hoe u deze kunt voorkomen. Zie *Informatie over terugslag op pagina 188* en *Veelgestelde vragen over terugslag op pagina 187* voor instructies.
- Gebruik een product, accu of acculader nooit als deze defect zijn.
- Raak een draaiende zaagketting nooit aan. Dit kan ernstig of fataal letsel tot gevolg hebben.
- Gebruik het product nooit wanneer u vermoeid bent, alcohol of drugs hebt gebruikt, of als u medicijnen gebruikt die uw gezichtsvermogen, beoordelingsvermogen of coördinatie kunnen beïnvloeden.
- Werken in slechte weersomstandigheden is vermoeiend en kan tot extra gevaarlijke situaties leiden. Het is in verband met het extra gevaar niet aanbevolen om de machine te gebruiken bij zeer slecht weer, bijvoorbeeld dichte mist, zware regen, sterke wind, intense koude of bij risico op bliksem, etc.
- Start een product niet, tenzij de geleider, zaagketting en alle afdekkingen correct zijn geplaatst. Anders kan de kettingwielaandrijving losraken en ernstig

letsel veroorzaken. Zie *Montage op pagina 186* voor instructies.(Fig. 22)

- Controleer de omgeving. Zorg ervoor dat omstanders of dieren u niet zodanig kunnen aanraken of beïnvloeden, dat u de controle over het apparaat verliest.(Fig. 23)
- Laat het product niet door kinderen bedienen; houd het buiten hun bereik. Het product start gemakkelijk. Hierdoor bestaat het gevaar dat kinderen het product starten wanneer ze niet onder volledig toezicht staan. Dit kan ernstig letsel tot gevolg hebben.
- Verwijder de accu als u geen zicht hebt op het product of het product enige tijd niet gebruikt.
- U moet op stabiele ondergrond staan om het product volledig onder controle te houden. Gebruik het product niet als u in een boom zit of op een ladder staat. Gebruik het product alleen als u op een stabiele ondergrond staat.(Fig. 24)
- Als u onvoorzichtig werkt, neemt het risico op terugslag toe. Een terugslag kan optreden als de terugslagzone van de geleider per ongeluk een tak, boom of andere objecten raakt.(Fig. 25)
- Gebruik het apparaat niet met één hand. U kunt dit product niet veilig bedienen met één hand.
- Gebruik het product niet boven schouderhoogte en zaag nooit met de punt van de geleider. (Fig. 26)
- Gebruik het product nooit in een situatie waarin u niet om hulp kunt roepen zodat er een ongeval gebeurt.
- Stop het product en schakel de kettingrem in vóór u het apparaat verplaatst. Houd het apparaat vast met de geleider en zaagketting naar achter gericht. Plaats transportbescherming op de geleider vóór u het apparaat vervoert of over enige afstand verplaatst.
- Als u het product op de grond plaatst, moet u de kettingrem inschakelen en ervoor zorgen dat u continu zicht hebt op het product. Stop het apparaat en verwijder de accu als u het apparaat enige tijd achterlaat.
- Het is mogelijk dat er spaanders vast komt te zitten in het aandrijfsysteem. Hierdoor kan de zaagketting vastlopen. Vóór u het apparaat schoonmaakt, moet u altijd eerst het apparaat uitschakelen en de accu verwijderen.
- Zorg ervoor dat u veilig kunt bewegen. Controleer de omgeving en het terrein op eventuele obstakels, zoals wortels, stenen, takken, sloten enzovoorts. Wees voorzichtig als u op een helling werkt.
- Verkeerde of onjuist geslepen snijuitrusting zorgt voor een hoger trillingsniveau. Het zagen van hardhoutsoorten, zoals loofbomen, veroorzaakt meer trillingen dan het zagen van zacht hout, zoals coniferen. (Fig. 27)
- Overmatige blootstelling aan trillingen kan leiden tot bloedvat- en zenuwbeschadigingen bij personen met een verminderde bloedcirculatie. Consulteer uw dokter wanneer u symptomen waarneemt die wijzen op overmatige blootstelling aan trillingen.

Voorbeelden van zulke symptomen zijn slapen, geen gevoel, "kriebels", "speldeprikken", pijn, geen of minder kracht, huidverkleuringen of veranderingen van het huidoppervlak. Deze klachten treden meestal op in de vingers, handen of polsen en nemen toe bij lage temperaturen.

- Gebruik het apparaat niet in situaties die uw capaciteiten te boven gaan.
- Het is niet mogelijk om elke situatie te vermelden die u kunt tegenkomen als u dit product gebruikt. Wees altijd voorzichtig en gebruik uw gezond verstand. (Fig. 28)

Persoonlijke beschermingsuitrusting



WAARSCHUWING: Lees de volgende waarschuwingen voordat u het product gaat gebruiken.

(Fig. 29)

- De meeste ongelukken met een kettingzaag gebeuren wanneer de zaagketting contact maakt met de gebruiker. U moet goedgekeurde persoonlijke beschermingsmiddelen gebruiken wanneer u het product gebruikt. Persoonlijke beschermingsmiddelen bieden geen volledige bescherming tegen letsel, maar kunnen bij een ongeval wel de ernst van het letsel beperken. Neem contact op met uw servicedealer voor de aanbevolen veiligheidsuitrusting.
- Uw kleding moet nauwsluitend zijn zonder uw bewegingsvrijheid te beperken. Controleer regelmatig de toestand van uw persoonlijke beschermingsmiddelen.
- Draag een goedgekeurde veiligheidshelm.
- Gebruik goedgekeurde gehoorbescherming. Langdurige blootstelling aan lawaai kan leiden tot permanente gehoorbeschadiging.
- Gebruik altijd een veiligheidsbril of gezichtsvizier om de kans op letsel door wegvliegende voorwerpen te verkleinen. Het product kan voorwerpen zoals spaanders, kleine stukjes hout enz. met grote kracht wegslingeren. Dit kan leiden tot ernstig letsel, vooral aan ogen.
- Draag handschoenen met zaagbescherming.
- Draag een broek met zaagbescherming.
- Draag laarzen met zaagbescherming, stalen neuzen en antislipzolen.
- U moet altijd een EHBO-kit bij de hand hebben.
- Gevaar voor vonkvorming. Zorg dat u een brandblusser en een schop bij de hand hebt om bosbranden te voorkomen.

Veiligheidsvoorzieningen op het product



WAARSCHUWING: Lees de volgende waarschuwingen voordat u het product gaat gebruiken.

- Gebruik het product nooit wanneer de veiligheidsvoorzieningen defect zijn.
- Controleer de veiligheidsvoorzieningen regelmatig op een juiste werking. Zie *De veiligheidsvoorzieningen op het product onderhouden en controleren op pagina 192*.
- Als de veiligheidsvoorzieningen defect zijn, neem dan contact op met uw Husqvarna servicedealer.

Toetsenbord

Het waarschuwinglampje knippert als de kettingrem wordt geactiveerd of als er risico op overbelasting is. De overbelastingsbescherming schakelt het product tijdelijk uit. U kunt het product gebruiken als de temperatuur weer op niveau is. Als het waarschuwinglampje blijft branden, neem dan contact op met uw servicedealer. (Fig. 30)

De automatische stopfunctie

Het product is voorzien van een automatische stopfunctie, die het product stopt zodra u het een minuut lang niet gebruikt.

Kettingrem met terugslagbeveiliging

Uw product heeft een kettingrem die de zaagketting stopt in het geval van terugslag. Een kettingrem vermindert het risico op ongevallen, maar alleen u kunt ze voorkomen. (Fig. 31)



WAARSCHUWING: Vermijd situaties waarin het risico op terugslag bestaat. Ga voorzichtig met het product om en zorg dat de terugslagzone van de geleider geen contact maakt met een voorwerp.

(Fig. 32)

De kettingrem (A) wordt handmatig geactiveerd (via uw linkerhand) of automatisch via het traagheidsmechanisme. Duw de terugslagbeveiliging (B) naar voren om de kettingrem handmatig in te schakelen. Er wordt een veermechanisme geactiveerd, dat het kettingaandrijf wiel stopt. (Fig. 33)

Hoe de kettingrem wordt ingeschakeld, hangt af van de kracht van de terugslag en de positie van het product. Als u een intense terugslag ervaart terwijl de terugslagzone zich op het verste punt van u vandaan bevindt, wordt de kettingrem ingeschakeld door het traagheidsmechanisme. Als de terugslag niet sterk is of als de terugslagzone zich dichterbij u in de buurt bevindt, schakelt u de kettingrem handmatig in met uw linkerhand. (Fig. 34)

Gebruik de kettingrem als parkeerrem wanneer u het product start en wanneer u korte afstanden aflegt. Dit vermindert de kans dat u of iemand in uw buurt de zaagketting raakt. (Fig. 35)

Trek de terugslagbeveiliging naar achteren om de kettingrem uit te schakelen. (Fig. 36)

Een terugslag kan bliksemsnel gebeuren en erg krachtig zijn. Meestal is de terugslag erg licht en de kettingrem wordt niet altijd geactiveerd. Als er een terugslag optreedt wanneer u het product gebruikt, houdt u het stevig vast aan de handgrepen en laat u het niet los. (Fig. 37)

De terugslagbeveiliging verlaagt ook het risico op het raken van de zaagketting als u uw hand van de voorste handgreep afhaalt. (Fig. 38)

In de velpositie kunt u de kettingrem niet handmatig inschakelen. De kettingrem kan in deze stand alleen worden ingeschakeld door het traagheidsmechanisme. (Fig. 39)

Vergrendeling voedingschakelaar

De vergrendeling van de activeringsschakelaar voorkomt dat de activeringsschakelaar per ongeluk wordt ingeschakeld. Als u uw hand rond de handgreep plaatst en de vergrendeling van de activeringsschakelaar (A) indrukt, laat deze de activeringsschakelaar los. Als u de handgreep loslaat, bewegen de activeringsschakelaar en de vergrendeling weer terug naar hun beginposities. (Fig. 40)

Kettingvanger

De kettingvanger vangt de zaagketting op als deze breekt of losraakt. Als u de juiste kettingspanning aanhoudt, neemt het risico hierop af. U kunt het risico ook verlagen door het juiste onderhoud uit te voeren aan de geleider en zaagketting. Zie *De zaagketting spannen op pagina 194* en *Onderhoud op pagina 191* voor instructies. (Fig. 41)

Rechterhandbescherming

De rechterhandbescherming beschermt uw hand mocht de zaagketting breken of loskomen. Bovendien voorkomt deze dat takken het gebruik van het product in de weg staan. (Fig. 42)

Veiligheid bij accu's



WAARSCHUWING: Lees de volgende waarschuwingen voordat u het product gaat gebruiken.

- Gebruik uitsluitend de BLi-accu's die we voor uw product aanbevelen. De accu's zijn voorzien van softwarematige encryptie.
- Gebruik de BLi-accu's die oplaadbaar zijn uitsluitend als een voedingsbron voor de bijbehorende producten van Husqvarna. Gebruik de accu niet als voedingsbron voor andere apparaten, om letsel te voorkomen.
- Risico van elektrische schok. Breng de accuklemmen niet in contact met sleutels, schroeven

of ander metaal. Dit kan kortsluiting van de accu veroorzaken.

- Gebruik geen accu's die niet oplaadbaar zijn.
- Plaats geen voorwerpen in de luchtspleten van de accu.
- Bescherm de accu tegen direct zonlicht, warmte of open vuur. De accu kan brandwonden en/of chemische brandwonden veroorzaken.
- Bescherm de accu tegen regen en vocht.
- Houd de accu uit de buurt van magnetrons en hoge druk.
- Probeer de accu niet te demonteren of te slopen.
- Laat accuzuur niet in contact komen met uw huid. Accuzuur kan verwondingen aan de huid, corrosie en brandplekken veroorzaken. Wrijf niet in uw ogen wanneer u accuzuur in uw ogen krijgt, maar spoel uw ogen minstens 15 minuten met water. Als accuzuur in contact is gekomen met uw huid, moet u de huid reinigen met veel water en zeep. Roep medische hulp in.
- Gebruik de accu bij temperaturen tussen -10 °C (14 °F) en 40 °C (104 °F).
- Reinig de accu of acculader nooit met water. Zie *De accu en het accucompartiment controleren op pagina 193*.
- Gebruik geen defecte of beschadigde accu.
- Sla accu's op uit de buurt van metalen voorwerpen, bijvoorbeeld spijkers, schroeven en sieraden.
- Houd de accu buiten het bereik van kinderen.

Veiligheidsvoorschriften voor acculader



WAARSCHUWING: Lees de volgende waarschuwingen voordat u het product gaat gebruiken.

- Risico van elektrische schok of kortsluiting wanneer de veiligheidsinstructies niet worden opgevolgd.
- Gebruik een goedgekeurde geaarde wandcontactdoos die niet beschadigd is.
- Gebruik geen andere acculader dan die bij uw product is geleverd. Gebruik uitsluitend Husqvarna-QC-laders wanneer u vervangende Husqvarna-BLi-accu's oplaadt.
- Probeer de acculader niet te demonteren.
- Gebruik geen defecte of beschadigde acculader.
- Til de acculader niet op aan de voedingskabel. Trek aan de stekker om de acculader uit de wandcontactdoos te halen. Trek niet aan de voedingskabel.
- Houd alle kabels en verlengsnoeren uit de buurt van water, olie en scherpe kanten. Let op dat de kabel niet bekneld raakt tussen deuren, hekken en dergelijke.
- Gebruik de acculader niet in de buurt van brandbare materialen of materialen die corrosie kunnen veroorzaken. Controleer of de acculader niet is

afgedekt. Haal de stekker van de acculader uit de wandcontactdoos bij rookontwikkeling of brand.

- De accu mag alleen binnenshuis worden opgeladen op een plek met voldoende ventilatie en zonder direct zonlicht. Laad de accu niet buiten op. Laad de accu niet op in vochtige omstandigheden.
- Gebruik de acculader alleen op plekken met een temperatuur tussen 5 °C (41 °F) en 40 °C (104 °F). Gebruik de lader in een omgeving die goed geventileerd, droog en stofvrij is.
- Plaats geen voorwerpen in de koelspleten van de acculader.
- Verbind de contacten van de acculader niet met metalen objecten, omdat dit kortsluiting in de acculader kan veroorzaken.
- Gebruik goedgekeurde wandcontactdozen die niet beschadigd zijn.

Veiligheidsinstructies voor onderhoud



WAARSCHUWING: Lees de volgende waarschuwingen voordat u onderhoud aan het product gaat uitvoeren.

- Verwijder de accu voordat u onderhoud of andere controles uitvoert, of het product demonteert.
- De gebruiker mag alleen de onderhouds- en servicewerkzaamheden uitvoeren die in deze bedieningshandleiding zijn beschreven. Ga naar uw servicedealer voor verdergaande service- of onderhoudswerkzaamheden.
- Reinig de accu of acculader nooit met water. Sterke reinigingsmiddelen kunnen schade aan het kunststof veroorzaken.
- Als u geen onderhoud uitvoert, verkort dit de levenscyclus van het product en vergroot het risico op ongevallen.
- Voor alle service en reparaties is speciale training vereist, vooral voor de veiligheidsvoorzieningen op het product. Als niet alle controles in deze bedieningshandleiding een goed resultaat geven nadat u onderhoud hebt uitgevoerd, ga dan naar uw servicedealer. Wij garanderen dat u daar professionele reparaties en service voor uw product krijgt.
- Gebruik alleen originele reserveonderdelen.

Veiligheidsinstructies voor snijuitrusting



WAARSCHUWING: Lees de volgende waarschuwingen voordat u het product gaat gebruiken.

- Gebruik alleen de door ons aanbevolen combinaties van zaagblad/zaagketting en de hulpmiddelen voor vijlen. Zie *Accessoires op pagina 198* voor instructies.
- Draag veiligheidshandschoenen wanneer u onderhoud aan de zaagketting uitvoert of de

zaagketting gebruikt. Ook een zaagketting die niet beweegt, kan verwondingen veroorzaken.

- Houd de zaagtanden goed geslepen. Volg de instructies en gebruik de aanbevolen vijlmal. Een beschadigde of verkeerd geslepen zaagketting vergroot de kans op ongevallen.(Fig. 43)
- Zorg voor de correcte tanddiepte. Volg de instructies en gebruik de aanbevolen instelling voor de vijlmal. Als de tanddiepte te groot is, vergroot dit de kans op terugslag.(Fig. 44)
- Zorg dat de zaagketting de juiste spanning heeft. Als de zaagketting niet strak tegen het zaagblad loopt,

kan de zaagketting van het zaagblad lopen. Een verkeerde kettingspanning zorgt voor overmatige slijtage van het zaagblad, de zaagketting en het kettingaandrijf wiel. Zie *De zaagketting spannen op pagina 194*.(Fig. 45)

- Voer regelmatig onderhoud uit op de snijuitrusting en houd deze goed gesmeerd. Bij onvoldoende smering van de zaagketting is de kans op slijtage van het zaagblad, de zaagketting en het kettingaandrijf wiel groter.(Fig. 46)

Montage

Inleiding



WAARSCHUWING: Zorg dat u het hoofdstuk over veiligheid hebt gelezen en begrepen voordat u het apparaat monteert.

Geleider en zaagketting monteren



WAARSCHUWING: Verwijder altijd de accu voordat u het product monteert of onderhoudt.

1. Schakel de kettingrem uit. (Fig. 47)
2. Draai de knop los en verwijder de afdekking van het kettingaandrijf wiel (kettingrem) en de transportbescherming (A). (Fig. 48)
3. Plaats de geleider bovenop de geleiderbout. Duw de geleider volledig in de achterste positie. Til de zaagketting boven het kettingaandrijf wiel en positioneer de ketting in de groef van de geleider. Begin aan de bovenzijde van de geleider. (Fig. 49)

4. Zorg dat de snijkanten van de zaagschakels naar voren wijzen op de bovenrand van de geleider.
5. Monteer het deksel van het kettingaandrijf wiel en zorg ervoor dat de stelpen van de kettingspanner in de uitsparing van de geleider valt.
6. Controleer of de aandrijfschakels van de zaagketting correct aanliggen op het kettingaandrijf wiel.
7. Controleer of de zaagketting correct is gepositioneerd in de groef op de geleider.
8. Span de zaagketting. Zie *De zaagketting spannen op pagina 194* voor instructies.

Schorssteunen monteren

Neem contact met uw servicedealer om een schorssteun te monteren.

Werking

Inleiding



WAARSCHUWING: Zorg dat u het hoofdstuk over veiligheid hebt gelezen en begrepen voordat u het product gebruikt.

De werking controleren voordat u het product gebruikt

1. Controleer of de kettingrem (A) goed functioneert en niet beschadigd is.
2. Controleer of de rechterhandbescherming (B) achter niet beschadigd is.
3. Controleer of de activeringsschakelaar en de vergrendeling (C) van de activeringsschakelaar goed functioneren en niet beschadigd zijn.
4. Controleer het toetsenbord (D) om ervoor te zorgen dat het juist werkt.
5. Zorg ervoor dat er geen olie op de handgrepen (E) zit.
6. Controleer dat alle onderdelen correct zijn aangebracht en niet beschadigd zijn of ontbreken.
7. Controleer de kettingvanger (F) om ervoor te zorgen dat deze juist werkt.
8. Controleer de kettingspanning (G).
9. Laad de accu (H) op en controleer of deze correct is bevestigd aan het product.
10. Zorg dat de zaagketting stopt wanneer u de activeringsschakelaar loslaat. (Fig. 50)

Kettingolie

Alle Husqvarna-kettingzagen hebben een automatisch kettingsmeersysteem. Een aantal modellen is ook leverbaar met verstelbare oliestroom.

Houd het volgende in gedachten bij uw keuze voor een kettingolie:

(Fig. 51)

- De olietank bevat voldoende olie voor ongeveer drie acculadingen. Dit is alleen van toepassing als u de juiste kettingolie gebruikt. Als de kettingolie te veel is verdund, gaat deze minder lang mee.
- Kettingolie moet zich goed aan de zaagketting hechten en zowel in warme zomers als koude winters voldoende viskeus zijn.
- Gebruik olie van de juiste viscositeitsklasse die geschikt is voor de buitentemperatuur. Bij een temperatuur onder 0 °C (32 °F) worden sommige oliën te dik. Dit kan de oliepomp overbelasten en de componenten van de pomp beschadigen.
- Gebruik de aanbevolen snijtrusting. Een te lange geleider gebruikt meer kettingolie.
- Raadpleeg uw servicedealer voor u een kettingolie kiest.



WAARSCHUWING: Gebruik geen afgewerkte olie! Afgewerkte olie is gevaarlijk voor u en het milieu. Bovendien kan afgewerkte olie de oliepomp, geleider en zaagketting beschadigen.



WAARSCHUWING: Als de snijtrusting onvoldoende wordt gesmeerd, kan de zaagketting breken. Dit kan ernstig of fataal letsel toebrengen aan de gebruiker.



OPGELET: Als u plantaardige kettingolie gebruikt, reinig dan de groeven in de geleider en zaagketting voordat u het apparaat voor lange tijd opslaat. Anders kan de zaagketting gaan oxideren, waardoor de ketting stroef wordt en het neuswiel verstopt raakt.

Veelgestelde vragen over terugslag

• Zal mijn hand de kettingrem bij terugslag altijd activeren?

Nee. Er is enige kracht nodig om de terugslagbeveiliging naar voren te duwen. Als u onvoldoende kracht gebruikt, wordt de kettingrem niet ingeschakeld. Bovendien moet u het product stevig vasthouden met beide handgrepen tijdens gebruik. Bij terugslag is het mogelijk dat de kettingrem de zaagketting niet stopt voordat deze u raakt. In sommige posities kunt u met uw hand niet

bij de terugslagbeveiliging om de kettingrem te activeren.

• Zal het traagheidsmechanisme de kettingrem bij terugslag altijd activeren?

Nee. Ten eerste moet de kettingrem correct werken. Zie *Onderhoud op pagina 191* voor instructies over het controleren van de kettingrem. We raden aan deze controle altijd uit te voeren voor u het product gebruikt. Ten tweede moet de terugslag voldoende sterk zijn om de kettingrem te activeren. Als de kettingrem te gevoelig is, kan deze inschakelen tijdens ruw gebruik.

• Zal de kettingrem mij bij terugslag altijd beschermen tegen letsel?

Nee, de kettingrem moet goed werken om bescherming te kunnen bieden. Bij een terugslag moet de kettingrem geactiveerd worden om de zaagketting te stoppen. Als u zich dicht bij het zaagblad bevindt, is het mogelijk dat de kettingrem de zaagketting niet op tijd stopt voordat deze u raakt.



WAARSCHUWING: Alleen met een juiste werktechniek kunt u terugslag voorkomen.

Aansluiten van acculader

1. Sluit de acculader alleen aan als de spanning en frequentie overeenkomen met de specificaties op het productplaatje.
2. Steek de stekker in een geaard stopcontact.

Let op: De accu wordt niet opgeladen als de accutemperatuur hoger is dan 50 °C/122 °F. Als de temperatuur hoger is dan 50 °C/122 °F, zal de acculader de accu afkoelen.

De accu opladen

Let op: Laad de accu op als u deze voor de eerste keer gebruikt. Een nieuwe accu is slechts 30% opgeladen.

1. Sluit de accu aan op de acculader. (Fig. 52)
2. Zorg ervoor dat het groene laadlampje op de acculader gaat branden. Dat betekent dat de accu goed is aangesloten op de acculader. (Fig. 53)
3. Wanneer alle LED's op de accu branden, is de accu volledig opgeladen. (Fig. 54)
4. Trek aan de stekker om de acculader uit de wandcontactdoos te halen. Trek niet aan de kabel.
5. Haal de accu uit de acculader.

Let op: Raadpleeg de handleidingen van de accu en de acculader voor meer informatie.

Product starten

1. Controleer de activeringsschakelaar en de vergrendeling van de activeringsschakelaar. Zie *De vergrendeling van de activeringsschakelaar controleren op pagina 193*.
2. Duw de terugslagbeveiliging naar voren om de kettingrem in te schakelen. (Fig. 38)
3. Plaats de accu in de accuhouder. (Fig. 55)
4. Druk op het onderste gedeelte van de accu totdat u een klink hoort.



OPGELET: De accu moet zonder veel moeite in de accuhouder klikken, anders is deze niet goed geplaatst.

(Fig. 56)

5. Houd de start-/stopknop ingedrukt totdat de groene LED gaat branden. (Fig. 57)

De functie SavE gebruiken

Dit product heeft een accubesparingsfunctie (SavE). De SavE-functie beperkt het toerental van de ketting en zorgt voor de langste bedrijfstijd van de accu.

Let op: De SavE-functie zorgt niet voor een lagere zaagkracht van het product.

1. Druk op de SavE-knop op het toetsenblok.
2. Controleer of de groene LED gaat branden.
3. Druk nogmaals op de knop SavE om de functie uit te schakelen. De groene LED gaat uit. (Fig. 58)

Product stoppen

1. Houd de start/stop-knop op het toetsenbord ingedrukt totdat de groene led uit gaat. (Fig. 57)
2. Verwijder de accu en druk op de accu-ontgrendelknop om de accu uit de accuhouder te halen. (Fig. 59)



WAARSCHUWING: Verwijder de accu wanneer u het product niet gebruikt of als u geen volledig zicht op het product hebt. Hiermee voorkomt u dat het product onbedoeld wordt gestart.

Informatie over terugslag



WAARSCHUWING: Als gevolg van terugslag kunnen de gebruiker en anderen ernstig of dodelijk letsel oplopen. Om de risico's te beperken, moet u de oorzaken van terugslag kennen en weten hoe u terugslag kunt voorkomen.

Terugslag vindt plaats wanneer de terugslagrisico-sector van het zaagblad in contact komt met een voorwerp. Een terugslag kan plotseling en met grote kracht optreden, waardoor het product richting de gebruiker wordt geworpen. (Fig. 60)

Terugslag gebeurt altijd in de richting van de geleider. Meestal raakt het product de gebruiker, maar het kan ook in een andere richting bewegen. De bewegingsrichting wordt bepaald door de manier waarop u het product gebruikt op het moment dat de terugslag optreedt. (Fig. 61)

Terugslag vindt uitsluitend plaats wanneer de terugslagzone van de geleider in contact komt met een voorwerp. Zorg dat de terugslagzone geen contact maakt met een voorwerp. (Fig. 60)

Een kleinere neusradius vermindert de kracht van de terugslag.

Gebruik een zaagketting met geringe terugslag om de effecten van terugslag te beperken. Laat de terugslagzone geen objecten raken.



WAARSCHUWING: Geen enkele zaagketting kan terugslag volledig voorkomen. Volg altijd de instructies.

Zaagtechnieken gebruiken



WAARSCHUWING: Gebruik het volle vermogen tijdens het zagen en breng het toerental terug naar stationair na elke zaagsnede.



OPGELET: Laat de motor niet te lang onbelast draaien. Dit kan schade aan de motor veroorzaken.

1. Leg de stam op een zaagbok of steun. (Fig. 62)



WAARSCHUWING: Zaag stammen niet als deze op een stapel liggen. Dat verhoogt het risico op terugslag en verlies van uw evenwicht.

2. Verwijder de gezaagde stukken uit de werkomgeving.



WAARSCHUWING: Doorgezaagde stukken in de werkomgeving verhogen het risico op terugslag en verliezen van uw evenwicht.

Stammen zagen op de grond

1. Zaag de stam met een trekslag. Gebruik het volle vermogen, maar wees voorbereid op ongelukken. (Fig. 63)



WAARSCHUWING: Zorg dat de zaagketting de grond niet raakt wanneer u de zaagsnede voltooit.

2. Zaag ongeveer $\frac{1}{2}$ door de stam en stop dan. Roteer de stam en zaag van de andere kant. (Fig. 64)

Een stam doorzagen met ondersteuning aan één uiteinde



WAARSCHUWING: Zorg dat de stam niet breekt tijdens het zagen. Volg de onderstaande instructies.

(Fig. 65)

1. Zaag de stam ongeveer $\frac{1}{3}$ door met een duwslag.
2. Zaag de stam door met een trekslag totdat de twee zaagsneden elkaar raken. (Fig. 66)

Een stam doorzagen met ondersteuning aan twee uiteinden



WAARSCHUWING: Zorg dat de zaagketting niet vastraakt in de stam tijdens het zagen. Volg de onderstaande instructies.

(Fig. 67)

1. Zaag de stam ongeveer $\frac{1}{3}$ door met een trekslag.
2. Zaag de rest van de stam door met een duwslag om de zaagsnede te voltooien. (Fig. 68)



WAARSCHUWING: Stop de motor als de zaagketting vastraakt in de stam. Gebruik een hefboom om de zaagsnede te openen en het product te verwijderen. Probeer het product niet met de hand los te trekken. Dit kan leiden tot letsel wanneer het product plotseling losschiet.

De snoeitechnieken gebruiken

Let op: Gebruik de zaagtechniek voor dikke takken. Zie *Zaagtechnieken gebruiken op pagina 188*.



WAARSCHUWING: Het ongevalsrisico is erg groot wanneer u de snoeitechniek gebruikt. Zie *Informatie over terugslag op pagina 188* voor instructies over het voorkomen van terugslag.



WAARSCHUWING: Snoei takken één voor één. Wees voorzichtig met het verwijderen van kleine takken en zaag nooit meerdere struiken of kleine takken tegelijk door. Kleine takken kunnen klem komen te

zitten in de zaagketting en veilig gebruik van het product verhinderen.

Let op: Zaag de takken indien nodig stukje voor stukje af. (Fig. 69)

1. Verwijder de takken aan de rechterzijde van de stam.
 - a) Houd het zaagblad aan de rechterkant van de stam en de romp van het product tegen de stam.
 - b) Selecteer de toepasselijke zaagtechniek voor de spanning in de tak. (Fig. 70)



WAARSCHUWING: Als u niet zeker weet hoe u de tak moet doorzagen, neemt u contact op met een professionele kettingzaaggebruiker voordat u verder gaat.

2. Verwijder de takken op de bovenkant van de stam.
 - a) Houd het product op de stam en laat het zaagblad langs de stam bewegen.
 - b) Zaag de stam door met een duwslag. (Fig. 71)
3. Verwijder de takken aan de linkerzijde van de stam.
 - a) Selecteer de toepasselijke zaagtechniek voor de spanning in de tak. (Fig. 72)



WAARSCHUWING: Als u niet zeker weet hoe u de tak moet doorzagen, neemt u contact op met een professionele kettingzaaggebruiker voordat u verder gaat.

Zie *Bomen en takken zagen die onder spanning staan op pagina 191* voor instructies over het zagen van takken die onder spanning staan.

De boomveltechniek gebruiken



WAARSCHUWING: Een boom vellen vergt veel ervaring. Woon indien mogelijk een cursus voor het gebruik van een kettingzaag bij. Neem contact op met een gebruiker met ervaring voor meer informatie.

Veilige afstand houden

1. Zorg dat omstanders op veilige afstand staan: minstens 2,5 keer de lengte van de boom. (Fig. 73)
2. Zorg ervoor dat niemand zich voor en tijdens het vellen in de risicozone bevindt. (Fig. 74)

De valrichting bepalen

1. Bepaal in welke richting de boom moet vallen. De boom moet zodanig vallen dat u de stam gemakkelijk kan snoeien en zagen. Het is belangrijk dat u stabiel staat en veilig kan bewegen.



WAARSCHUWING: Als het gevaarlijk of niet mogelijk is de boom in zijn natuurlijke richting te laten vallen, laat de boom dan in een andere richting vallen.

2. Bepaal de natuurlijke valrichting van de boom. Denk bijvoorbeeld aan de helling en kromming van de boom, windrichting, locatie van de takken en het gewicht van sneeuw.
3. Controleer of er obstakels zijn, zoals andere bomen, hoogspanningsmasten, wegen en/of gebouwen.
4. Controleer de stam op beschadigingen en rotte plekken.



WAARSCHUWING: Een rotte plek in de stam kan tot gevolg hebben dat de boom valt voordat u hem volledig hebt doorgezaagd.

5. Zorg dat de boom vrij is van beschadigde of dode takken die kunnen afbreken en u raken tijdens het vellen.
6. Zorg dat de boom niet tegen een andere boom valt. Het is gevaarlijk om een vastgeraakte boom op de grond te krijgen en het ongevalsrisico is erg groot. Zie *Een vastgeraakte boom losmaken op pagina 191*. (Fig. 75)



WAARSCHUWING: Bij belangrijke bewerkingen, moet u uw gehoorbescherming verwijderen zodra de boom is geveld. Het is belangrijk dat u omgevingsgeluid en waarschuwingen kunt horen.

De stam ontdoen van takken en een vrij pad maken

Zaag alle takken vanaf schouderhoogte naar beneden af.

1. Zaag door met een trekslag van boven naar beneden. Zorg dat de boom tussen u en het product staat. (Fig. 76)
2. Zorg dat de werkomgeving rond de boom vrij is van ondergroei. Verwijder het afgezaagde materiaal uit de werkomgeving.
3. Controleer de omgeving op obstakels zoals stenen, takken en gaten. Er moet een obstakelvrij vluchtpad zijn wanneer de boom valt. De vluchtweg moet in een hoek van circa 135 graden (schuin achterwaarts) tegenover de geplande valrichting liggen.

1. De gevarezone
2. De vluchtweg
3. De valrichting

(Fig. 77)

Boom kappen

Husqvarna raadt u aan de inkepingen aan te brengen en vervolgens gebruik te maken van de veilige hoekmethode bij het vellen van een boom. De veilige hoekmethode helpt u een juist scharnierstuk te maken en de valrichting te sturen.



WAARSCHUWING: Vel geen bomen met een diameter die groter is dan twee keer de zaagbladlengte. Hiervoor moet u speciale training volgen.

Richtingssneden aanbrengen

1. Breng de richtingssneden aan. De richtingssneden moeten tot op 1/4 van de diameter van de boom lopen. De bovenste en onderste snede moeten in een hoek van 45° van elkaar worden aangebracht.
 - a) Zaag eerst de bovenste snede. Lijn de markering voor de valrichting (A) op het product uit met de valrichting van de boom (B). Blijf achter het product en sta links van de boom. Zaag met een korte trekslag.
 - b) Breng de onderste snede aan. Zorg dat het uiteinde van de onderste snede op hetzelfde punt uitkomt als van de bovenste snede. (Fig. 78)
2. Zorg dat de richtingssnede horizontaal is en de juiste hoek heeft (90°) ten opzichte van de valrichting. De lijn van de richtingssnede loopt door het punt waar de twee richtingssneden samenkomen. (Fig. 79)

De velsnede aanbrengen

Let op: De velsnede wordt aan de andere kant van de boom vanaf de richtingssneden aangebracht.

1. Breng de velsnede ongeveer 3-5 cm (1,5-2 inch) boven de onderste richtingssnede aan. De snede moet volledig horizontaal zijn. (Fig. 80)
2. Als u een schorssteun gebruikt, plaats deze dan achter het velscharnier.
3. Zaag met een trekslag, gebruik het volle vermogen en beweeg de zaagketting/geleider langzaam door de boom. Zorg dat de boom niet in een ongewenste richting valt.
4. Plaats een wig of breekijzer in de snede als de snede de juiste diepte heeft. (Fig. 81)

5. De velsnede moet parallel aan de lijn van de richtingsnede worden afgerond. Zorg dat de velsnede en richtingsnede minimaal 1/10 van de stamdiameter uit elkaar liggen. Het gedeelte van de stam waar u niet zaagt, is het velscharnier. De valrichting wordt bepaald door het velscharnier. (Fig. 82)



WAARSCHUWING: Zonder velscharnier of als het scharnier te dun is, hebt u geen controle over de valrichting. Dit geldt ook als u de richtingsneden en velsnede niet goed hebt aangebracht.

(Fig. 83)

6. De boom zal nu vanzelf vallen of met behulp van een wig of breekijzer. (Fig. 84)

Let op: Gebruik een geleider die langer is dan diameter van de boom. Zo kunt u de velsnede en richtingsneden aanbrengen met één slag per snede. Zie *Accessoires op pagina 198* voor onze aanbevelingen voor uw product wat betreft zaagbladlengtes.

(Fig. 85)

Een vastgeraakte boom losmaken



WAARSCHUWING: Het is erg gevaarlijk om een vastgeraakte boom op de grond te krijgen en het ongevalsrisico is erg groot. Blijf uit de buurt van de risicozone en probeer een vastgeraakte boom niet te vellen.

(Fig. 86)

De veiligste methode is om een van de volgende lieren te gebruiken:

- Gemonteerd op een trekker (Fig. 87)
- Draagbaar (Fig. 88)

Bomen en takken zagen die onder spanning staan

1. Bepaal welke kant van de boom of takken onder spanning staat.
2. Bepaal op welk punt de meeste spanning staat. (Fig. 89)
3. Bepaal de veiligste methode om de spanning af te laten.

Let op: In sommige situaties is het alleen veilig om een lier te gebruiken en niet uw product.

4. Ga op een plek staan waar de boom of tak u niet kan raken wanneer de spanning wordt afgelaten. (Fig. 90)
5. Maak een of meerdere sneden van voldoende diepte om de spanning af te laten. Zaag op of bij het punt van maximale spanning. Zorg dat de boom of tak breekt op het punt met maximale spanning. (Fig. 91)



WAARSCHUWING: Zaag een boom of tak die onder spanning staat nooit helemaal door.



WAARSCHUWING: Wees zeer voorzichtig wanneer u een boom zaagt die gespannen staat. De kans bestaat dat de boom erg snel beweegt vóór of na het zagen. Als u op de verkeerde positie staat of verkeerd zaagt, loopt u het risico op ernstig letsel.

6. Als u de boom of tak dwars moet doorzagen, breng dan 2 tot 3 snedes aan met 2,5 cm (1 inch) ruimte ertussen en met een diepte van 5 cm (2 inch). (Fig. 92)
7. Blijf zagen tot de boom/tak buigt en de spanning wordt afgelaten. (Fig. 93)
8. Zaag de boom/tak vanaf de andere kant van de kromming, nadat de spanning is afgelaten.

Onderhoud

Inleiding



WAARSCHUWING: Zorg dat u het hoofdstuk over veiligheid hebt gelezen en begrepen voordat u onderhoud aan het product gaat uitvoeren.



WAARSCHUWING: Verwijder de accu voordat u onderhoud uitvoert.

Hieronder volgt een lijst van het onderhoud dat u aan het product moet uitvoeren. Zie *Onderhoud op pagina 191* voor meer informatie.

Onderhoud	Vóór gebruik	Wekelijks	Maandelijks
Reinig de externe onderdelen van het product.	X		
Controleer of de voedingsschakelaar en de vergrendeling van de voedingsschakelaar correct werken vanuit veiligheidszoogpunt.	X		
Reinig de kettingrem en controleer of deze veilig en correct werkt. Controleer of de kettingvanger niet beschadigd is. Vervang indien nodig.	X		
Draai de geleider, zodat slijtage gelijkmatig wordt verdeeld. Controleer of de smeeropening in de geleider niet is verstopt. Maak de groef schoon.	X		
Controleer of de snijder en snijkap geen scheuren vertonen en niet beschadigd zijn. Vervang de snijder of snijkap als deze scheuren vertonen of aan slagbelasting zijn blootgesteld.	X		
Controleer of er voldoende olie is op de geleider en zaagketting.	X		
Controleer de zaagketting. Let op scheuren en zorg dat de zaagketting niet overmatig stug of versleten is. Vervang indien nodig.	X		
Slijp de zaagketting. Controleer de spanning en staat van de ketting. Controleer het kettingaandrijf wiel op slijtage en vervang het indien nodig.	X		
Reinig de luchtinlaat van het product.	X		
Controleer of de schroeven en moeren goed zijn vastgedraaid.	X		
Controleer of het toetsenblok correct werkt en niet beschadigd is.	X		
Verwijder bramen op de randen van de geleider met een vijl.		X	
Controleer de verbindingen tussen de accu en het product. Controleer de verbinding tussen de accu en de acculader.			X
Leeg en reinig de olietank.			X
Blaas voorzichtig perslucht door het product en door de koelsleuven van de accu.			X

De veiligheidsvoorzieningen op het product onderhouden en controleren

De terugslagbeveiliging controleren

Controleer de terugslagbeveiliging en het traagheidsmechanisme regelmatig.

1. Zorg dat de terugslagbeveiliging niet beschadigd is of andere gebreken vertoont, zoals scheuren. (Fig. 94)
2. Zorg dat de terugslagbeveiliging vrij kan bewegen en stevig is bevestigd aan het product. (Fig. 95)
3. Schakel de motor uit en plaats het product op een boomstronk of een andere stabiele ondergrond.
4. Houd het achterste handgreep vast en laat de voorste handgreep los. Laat het product tegen de boomstronk vallen. (Fig. 96)
5. Controleer of de kettingrem wordt ingeschakeld wanneer de geleider de boomstronk raakt.

Remhendel controleren

1. Plaats het product op een stabiele ondergrond en schakel het product in. Zie *Inleiding op pagina 186*.



WAARSCHUWING: Zorg ervoor dat de zaagketting niet in aanraking komt met de grond of andere objecten.

2. Plaats uw duimen en vingers om de handgrepen houd het product goed vast. (Fig. 37)
3. Gebruik het volle vermogen en draai uw linkerpols tegen de terugslagbeveiliging om de kettingrem te activeren. De zaagketting moet onmiddellijk stoppen. (Fig. 97)



WAARSCHUWING: Laat de voorste handgreep niet los!

De vergrendeling van de activeringsschakelaar controleren

1. Zorg ervoor dat de activeringsschakelaar en de vergrendeling vrij kunnen bewegen en dat de retourveer juist werkt. (Fig. 98)
2. Druk op de vergrendeling van de activeringsschakelaar en controleer of deze terugkeert naar de oorspronkelijke stand wanneer u hem loslaat. (Fig. 99)
3. Controleer of de activeringsschakelaar in de stationaire stand is vergrendeld wanneer de vergrendeling wordt losgelaten. (Fig. 100)
4. Start het product en laat het op vol vermogen werken.
5. Laat de activeringsschakelaar los en controleer of de zaagketting stopt en blijft stilstaan. Als de zaagketting draait terwijl de activeringsschakelaar in de stationaire stand staat, neem dan contact op met uw servicedealer.

De kettingvanger controleren

1. Zorg ervoor dat de kettingvanger niet beschadigd is.
2. Zorg dat de kettingvanger stabiel is en aan de behuizing van het product is bevestigd. (Fig. 41)

Toetsenbord controleren

1. Start het product. Zie *Werking op pagina 186*
2. Druk nogmaals op de start-/stopknop.
3. Het product moet stoppen wanneer u deze knop ingedrukt houdt. De groene LED zal worden uitgeschakeld. (Fig. 57)

De accu en het accucompartiment controleren

1. Reinig de accu en het accucompartiment met een zachte borstel. (Fig. 101)
2. Zorg dat de koelsleuven en accuaansluitingen schoon zijn.
3. Controleer of de accu niet beschadigd is of andere gebreken vertoont, zoals scheuren. (Fig. 102)

Het laadniveau van de accu controleren

1. Controleer de acculader en voedingskabel niet zijn beschadigd. Controleer op scheuren en andere gebreken.

Koelsysteem reinigen

Het product heeft een koelsysteem om de temperatuur zo laag mogelijk te houden.

Het koelsysteem is voorzien van een luchtinlaat aan de linkerzijde van het product en een ventilator op de motor.

1. Reinig het koelsysteem één keer per week met een borstel, of vaker indien nodig. (Fig. 103)
2. Zorg ervoor dat het koelsysteem niet vuil is of verstopt.



OPGELET: Een vuil of verstopt koelsysteem kan leiden tot oververhitting van het product. Hierdoor kunnen de zuiger en cilinder beschadigd raken.

Zaagketting slijpen

Informatie over de geleider en zaagketting



WAARSCHUWING: Draag veiligheidshandschoenen wanneer u onderhoud aan de zaagketting uitvoert of de zaagketting gebruikt. Ook een zaagketting die niet beweegt, kan verwondingen veroorzaken.

Als het zaagblad of de zaagketting versleten of beschadigd is, moet u deze vervangen door een door Husqvarna aanbevolen combinatie van zaagblad en zaagketting. Zo blijven de veiligheidsfuncties van het product behouden. Zie *Accessoires op pagina 198* voor een lijst met aanbevolen combinaties voor het vervangen van het zaagblad en de zaagketting.

- Zaagbladlengte, inch/cm. Informatie over de lengte van het zaagblad kunt u meestal vinden op het achterste uiteinde van het zaagblad. (Fig. 104)
- Aantal tanden in het neuswiel (T). (Fig. 105)
- Steek van de ketting, inch. De afstand tussen de aandrijfschakels van de zaagketting, moet overeenkomen met de tandsteek van het neuswiel en het kettingaandrijf wiel. (Fig. 106)
- Aantal aandrijfschakels (stuks). Het aantal aandrijfschakels wordt bepaald door het type zaagblad. (Fig. 107)
- Breedte geleidergroef, inch/mm. De breedte van de groef in het zaagblad moet gelijk zijn aan de breedte van de aandrijfschakels. (Fig. 108)
- Kettingolie-opening en opening voor kettingstrekkerpen. De geleider moet aangepast zijn aan het product. (Fig. 109)
- Breedte aandrijfschakel, mm/inch. (Fig. 110)

Algemene informatie over het slijpen van zaagtanden

Gebruik geen ongeslepen zaagketting. Als de zaagketting bot is, dient u meer druk toe te passen om de geleider door het hout te drukken. Als de zaagketting zeer bot is, ontstaan er geen houtsnippers maar zaagsel.

Een scherpe zaagketting zaagt door het hout en de houtsnippers worden lang en dik.

De zaagtand (A) en de dieptesteller (B) samen vormen het zagende deel van de zaagketting, de snijder. Het hoogteverschil tussen de twee geeft de zaagdiepte (instelling dieptesteller).(Fig. 111)

Denk bij het slijpen van een zaagketting aan het volgende:

- Vijlhoek.(Fig. 112)
- Snijhoek.(Fig. 113)
- Vijlpositie.(Fig. 114)
- Diameter van de ronde vijl.(Fig. 115)

Het is niet gemakkelijk om zonder de juiste hulpmiddelen een zaagketting correct te slijpen. Gebruik een Husqvarna-vijlmal. Hiermee zorgt u voor maximale zaagprestaties en beperkt u het risico op terugslag.



WAARSCHUWING: De terugslagkracht neemt aanzienlijk toe als u de slijpinstructies niet volgt.

Let op: Zie *De messen slijpen op pagina 194* voor informatie over het slijpen van de zaagketting.

De messen slijpen

1. Gebruik voor het slijpen van de snijtanden een ronde vijl en een vijlmal. (Fig. 116)

Let op: Zie *Accessoires op pagina 198* voor informatie over welke vijl en mal door Husqvarna wordt aangeraden voor uw zaagketting.

2. Breng de vijlmal correct aan op de messen. Raadpleeg de instructies die bij de vijlmal worden meegeleverd.
3. Beweeg de vijl vanaf de binnenkant van de snijtanden naar buiten. Verlaag de druk bij de trekslag. (Fig. 117)
4. Verwijder materiaal van één zijde van alle zaagtanden.
5. Draai het product om en verwijder de resten aan de andere kant.
6. Zorg ervoor dat alle snijtanden dezelfde lengte hebben.

Algemene informatie over hoe u de hoogte van de dieptesteller aanpast.

De hoogte van de dieptesteller (C) neemt af wanneer u de zaagtanden (A) slijpt. Voor maximale zaagprestaties moet u de vijlresten verwijderen van de dieptesteller (B), zodat de dieptesteller de juiste hoogte heeft. Zie *Accessoires op pagina 198* voor instructies over hoe u voor de juiste hoogte van de dieptesteller zorgt voor uw zaagketting.

(Fig. 118)



WAARSCHUWING: Een te hoge dieptesteller vergroot het terugslagrisico van de ketting!

Hoogte van de dieptesteller aanpassen

Zie *De messen slijpen op pagina 194* voor instructies voordat u de vijlmal gaat instellen of de zaagtanden gaat slijpen. We raden aan de snijdiepte bij te stellen na elke derde kettingslijpbeurt.

We raden u aan onze vijlmal voor de tanddiepte te gebruiken, om de juiste maat voor de tanddiepte en de juiste hoek van de dieptestellernok te krijgen.

(Fig. 119)

1. Gebruik een platte vijl en een vijlmal om de hoogte van de dieptesteller aan te passen. Gebruik alleen een Husqvarna-vijlmal om de juiste tanddiepte en vijlhoek te verkrijgen.
2. Plaats de vijlmal op de zaagketting.

Let op: Zie de verpakking van de vijlmal voor meer informatie over het gebruik.

3. Gebruik de platte vijl om het gedeelte van de dieptesteller te verwijderen dat boven de vijlmal uitsteekt. (Fig. 120)

De zaagketting spannen



WAARSCHUWING: Een zaagketting die niet correct is gespannen, kan losschieten uit de geleider en ernstig of fataal letsel veroorzaken.

Hoe meer u de ketting gebruikt, hoe langer deze wordt. Het is belangrijk om de zaagketting regelmatig af te stellen.

Controleer de spanning van de zaagketting elke keer als u de kettingolie bijvult.

Let op: Een nieuwe zaagketting heeft een inlooperperiode waarin de spanning vaker moet worden gecontroleerd.

1. Klap de knop naar buiten tot deze opent. (Fig. 121)
2. Draai de knop linksom om het deksel van het kettingaandrijf wiel los te maken. (Fig. 122)
3. Draai het kettingspannerwiel om de spanning van de zaagketting af te stellen. De zaagketting moet strak aansluiten tegen de geleider. (Fig. 123)

Let op: Draai het wiel omlaag (+) voor meer spanning en omhoog (-) voor minder spanning. De zaagketting heeft de juiste spanning als u de ketting nog gemakkelijk met de hand kunt draaien en de ketting strak aansluit tegen de geleider.

4. Draai de knop rechtsom om de geleiderknop vast te draaien. (Fig. 124)
5. Klap de knop in om de spanning vast te zetten. (Fig. 125)

Smering van de zaagketting controleren

Controleer de smering van de zaagketting na elke drie keer dat u de accu oplaadt.

1. Start het product en laat het draaien op driekwart van het maximale toerental. Houd de geleider ongeveer 20 cm (8 inch) boven een lichtgekleurd oppervlak.
2. Als de zaagkettingen correct gesmeerd is, verschijnt er na 1 minuut een duidelijke lijn olie op het oppervlak. (Fig. 126)
3. Als de zaagketting niet correct is gesmeerd, voer dan de volgende controles uit.
 - a) Controleer het oliekanaal in de geleider en zorg dat het niet geblokkeerd is. Maak schoon indien nodig. (Fig. 127)
 - b) Controleer het oliekanaal in de geleider en zorg dat het schoon is. Maak schoon indien nodig. (Fig. 128)
 - c) Controleer of het neuswiel van het zaagblad soepel draait en of de smeeroening van het tandwielpunt van de geleider open is. Maak schoon en smeer indien nodig. (Fig. 129)
4. Als de zaagketting niet correct wordt gesmeerd nadat u bovenstaande stappen hebt uitgevoerd, neem dan contact op met uw servicedealer.

Onderhoud uitvoeren aan het kettingaandrijf wiel

Het aandrijfsysteem heeft een aandrijfkettingwiel. (Fig. 130)

Voer het volgende onderhoud uit aan het kettingaandrijf wiel:

1. Controleer regelmatig het slijtagniveau van het kettingaandrijf wiel. Vervang het kettingaandrijf wiel als er teveel slijtage optreedt.
2. Vervang het kettingaandrijf wiel telkens als u de zaagketting vervangt.

Snijuitrusting controleren

1. Controleer op scheurtjes in klinknagels en schakels en op losse schakels. Vervang indien nodig. (Fig. 131)
2. Controleer of de zaagketting eenvoudig te buigen is. Vervang de zaagketting wanneer deze onbuigzaam is.
3. Vergelijk de zaagketting met een nieuwe om te bepalen of de klinknagels en schakels versleten zijn.
4. Vervang de zaagketting wanneer het langste deel van de zaagtand kleiner dan 4 mm/0,16 inch is. Vervang de zaagketting ook als er scheurtjes in de zaagtanden zitten. (Fig. 132)

De geleider controleren

1. Controleer of het oliekanaal niet verstopt is. Reinig indien nodig. (Fig. 127)
2. Controleer de randen van de geleider op bramen. Verwijder bramen met een vijl. (Fig. 133)
3. Reinig de groef in het zaagblad. (Fig. 128)
4. Controleer de geleidergroef op slijtage. Vervang het zaagblad indien nodig. (Fig. 134)
5. Controleer de punt van de geleider op ruwheid en overmatige slijtage. (Fig. 135)
6. Controleer of het neuswiel van het zaagblad soepel draait en of de smeeroening in het neuswiel van het zaagblad open is. Maak schoon en smeer indien nodig. (Fig. 129)
7. Draai de geleider dagelijks om de levensduur te verlengen. (Fig. 136)

Probleemoplossing

Probleemoplossingsschema

Tabel

Mogelijke foutcodes op het toetsenblok van het product.

LED-display	Mogelijke fouten	Mogelijke actie
Waarschuingslampje knippert.	Kettingrem ingeschakeld.	Trek de terugslagbeveiliging naar achteren om de kettingrem los te maken.
	Temperatuurafwijking.	Laat het product afkoelen.
	Overbelasting. Snijuitrusting vastgelopen.	De snijuitrusting is vastgeslagen. Haal de snijuitrusting los.
	De gashendel en de activeringsknop worden tegelijkertijd ingedrukt.	Wanneer u de voedingsschakelaar loslaat, wordt het product geactiveerd.
Groen activeringslampje knippert.	Lage accuspanning.	Laad de accu op.
Waarschuingslampje brandt.	Service.	Neem contact op met uw servicedealer.

Tabel

Foutopsporing voor de accu en/of de acculader tijdens het laden.

LED-display	Mogelijke fouten	Mogelijke actie
Waarschuingslampje knippert.	De accu is leeg.	Laad de accu op.
	Temperatuurafwijking.	Gebruik de accu in een omgeving met temperaturen tussen -10 °C (14 °F) en 40 °C (104 °F).
	Overspanning.	Controleer of de netspanning overeenkomt met de spanning die is aangegeven op het typeplaatje op het product. Haal de accu uit de acculader.
Waarschuingslampje brandt.	Celverschil te groot (1 V).	Neem contact op met uw servicedealer.

Tabel

LED-display	Mogelijke fouten	Mogelijke actie
Waarschuingslampje knippert.	Temperatuurafwijking.	Gebruik de accu in een omgeving met temperaturen tussen 5 °C (41 °F) en 40 °C (104 °F).
Waarschuingslampje brandt.		Neem contact op met uw servicedealer.

Vervoer, opslag en verwerking

Transport en opslag

- De meegeleverde Li-ion-accu's voldoen aan de wettelijke vereisten voor gevaarlijke goederen.
- Neem de bijzondere voorschriften op de verpakking en labels voor commercieel transport in acht. Dit geldt ook voor derden en expediteurs.
- Neem contact op met een persoon die gespecialiseerd is op het gebied van gevaarlijke stoffen voordat u het product verzendt. Neem alle van toepassing zijnde nationale voorschriften in acht.
- Breng tape aan op blootliggende aansluitingen wanneer u de accu in een pakket plaatst. Plaats de accu strak in het pakket om beweging te voorkomen.
- Verwijder de accu bij opslag of vervoer.
- Plaats de accu en de acculader in een droge, vocht- en vorstvrije ruimte.
- Bewaar de accu niet op plaatsen waar statische elektriciteit aanwezig is. Bewaar de accu niet in een metalen doos.
- Bewaar de accu op een plaats met een temperatuur tussen 5 °C en 25 °C en niet in direct zonlicht.
- Bewaar de acculader op een plaats met een temperatuur tussen 5 °C en 45 °C en niet in direct zonlicht.
- Gebruik de acculader alleen als de omgevingstemperatuur tussen 5 °C en 40 °C ligt.
- Laad de accu op tussen de 30% en 50% voorafgaand aan langdurige opslag.

- Berg de acculader op in een ruimte die afgesloten en droog is.
- Bewaar de accu niet in de buurt van de acculader. Laat kinderen en andere onbevoegde personen niet aan de apparatuur komen. Bewaar de apparatuur in een ruimte die u kunt afsluiten.
- Reinig het product en voer een volledige onderhoudsbeurt uit voordat u het product voor langere tijd opslaat.
- Gebruik de transportbescherming op het product om letsel bij personen of schade aan het product tijdens vervoer en opslag te voorkomen.
- Bevestig het product stevig tijdens vervoer.

Accu, acculader en product afvoeren

Het onderstaande symbool betekent dat het product geen huishoudelijk afval is. Lever het in bij een recyclepunt voor elektrische en elektronische apparatuur. Dit voorkomt vervuiling van het milieu en letsel bij personen.

Neem contact op met de lokale autoriteiten, het afvalverwerkingsbedrijf of uw dealer voor meer informatie.

(Fig. 21)

Let op: Het symbool staat op het product of op de verpakking van het product.

Technische gegevens

Technische gegevens

	120i
Platform	CS100EU
Motor	
Type	BLDC (borstelloos) 36 V
Kenmerken	
Energiebesparende stand	SavE
Smeersysteem	
Type oliepompe	Automatisch
Inhoud olietank, liter	0,20
Gewicht	
Acculoze kettingzaag, geleider, zaagketting en lege kettingolietank, kg	2,95

	120i
Geluidsemissies ²²	
Geluidsvermogenniveau, gemeten dB(A)	98
Geluidsvermogenniveau, gegarandeerd L _{WA} dB(A)	101
Geluidsniveau ²³	
Equivalent geluidsdrukniveau bij het oor van de gebruiker, dB(A)	88
Trillingsniveau ²⁴	3,8
Zaagketting/geleider	
Aanbevolen zaagbladlengtes, duim/cm	12/30
Effectieve zaaglengte, duim/cm	10/26
Type aandrijfwielen/aantal tanden	Spur/6
Maximale kettingsnelheid / (savE), m/s	11,5 (10)

Accessoires

Combinaties van geleiders en zaagkettingen

De volgende opzetstukken zijn goedgekeurd voor Husqvarna 120i.

Geleider				Zaagketting	
Langte, inch	Kettingsteek, inch	Spoorbreedte, mm	Max. kopradius	Type	Zaagblad- en kettingcombinaties
12	3/8	1,1	7T	Husqvarna H38	45

Vijlbenodigheden en vijlhoeken



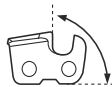
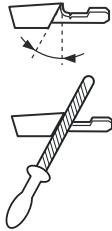

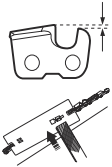
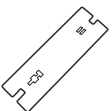

Met een Husqvarna-vijlmal kunt u de tanden in de juiste hoek vijlen. Wij raden u aan altijd een Husqvarna-vijlmal te gebruiken voor het vijlen van uw zaagketting. De onderdeelnummers vindt u in onderstaande tabel.

Neem contact op met uw servicedealer als u niet weet met welke zaagketting uw product is uitgerust.

²² Geluidsemissie naar de omgeving gemeten als geluidsvermogen (L_{WA}) volgens EG-richtlijn 2000/14/EG.

²³ Vergelijkbaar geluidsdrukniveau, conform ISO 22868, is berekend als de totale tijdgewogen energie voor verschillende geluidsdrukniveaus onder verschillende bedrijfsomstandigheden. Typische statistische spreiding voor een vergelijkbaar geluidsdrukniveau is een standaardafwijking van 2,5 dB(A).

²⁴ Het opgegeven trillingsniveau is voor de handgreep met de hoogste waarden. De typische statistische spreiding voor het trillingsniveau is 1,5 m/s.

							
38	11/64 inch / 4,5 mm	75°	30°	0°	0,025 inch / 0,65 mm	5056981-03	5795588-01

Goedgekeurde accu's

Gebruik uitsluitend Husqvarna originele BLI-accu's voor dit product.

Goedgekeurde accu's voor het product

Accu	BLi20		BLi22	
	Lithium-ion		Lithium-ion	
Type				
Accucapaciteit, Ah	4,2 (VTC4)	4 (HD2)	4,2 (VTC4)	4,0 (EVE 20P)
Spanning, V	36	36,5	36	36
Gewicht, lb/kg	2,6/1,2	2,6/1,2	2,6/1,2	2,6/1,2

Goedgekeurde acculaders voor het product

Acculader	QC80
Netspanning, V	100-240
Frequentie, Hz	50-60
Vermogen, W	100

Acculader	QC80
Uitgangsspanning, V d.c./ Ampère, A	36/2

EG verklaring van overeenstemming

EG verklaring van overeenstemming

Husqvarna AB, SE-561 82 Huskvarna, Sweden, tel.: +46-36-146500, verklaart onder alleenverantwoordelijkheid dat de draadloze accukettingzagen **Husqvarna 120i (Platform CS100EU)** met serienummers van 2016 en later (het jaartal staat duidelijk op het productplaatje vermeld, gevolgd door het serienummer), voldoet aan de vereisten van de volgende RICHTLIJNEN VAN DE RAAD:

- van 17 mei 2006 "met betrekking tot machines" **2006/42/EG**.
- van 26 februari 2014 "betreffende elektromagnetische compatibiliteit" **2014/30/EU**.
- van 8 juni 2011 over de "beperking van het gebruik van bepaalde gevaarlijke stoffen" **2011/65/EU**
- van 8 mei 2000 "met betrekking tot geluidsemissies in het milieu" **2000/14/EG**.

De volgende normen zijn van toepassing: **EN 60745-1:2009+A11:2010, EN 60745-2-13:2009+A1:2010, EN 55014-1:2006+A1:2009+A2:2011, EN 61000-4-2:2009, EN 61000-4-3:2006+A1:2008, EN IEC63000:2018.**

Aangemelde instantie: TÜV Rheinland LGA Products GmbH, Tillystrasse 2, D-90431 Nuernberg, Germany, 0197, heeft een EG-typeonderzoek uitgevoerd volgens de machinerichtlijn (2006/42/EG), artikel 12, punt 3b.

Het certificaat heeft nummer: **BM 50356394 0001**

De geleverde kettingzaag is conform het exemplaar dat een EG-typeonderzoek heeft ondergaan.

Voor informatie over geluidsemissies, zie *Technische gegevens op pagina 197*.

Huskvarna, 20181031



Pär Martinsson, Hoofd Ontwikkeling (gemachtigde vertegenwoordiger voor Husqvarna AB en verantwoordelijk voor technische documentatie)

Sommario

Introduzione.....	202	Ricerca guasti.....	219
Sicurezza.....	203	Trasporto, stoccaggio e smaltimento.....	221
Montaggio.....	210	Dati tecnici.....	221
Utilizzo.....	210	Accessori.....	222
Manutenzione.....	215	Dichiarazione di conformità CE.....	225

Introduzione

Descrizione del prodotto

Questo prodotto è una motosega con motore elettrico.

Il lavoro è in costante evoluzione per aumentare sicurezza ed efficienza durante le attività. Rivolgersi al centro di assistenza per maggiori informazioni.

Illustrazione del prodotto

(Fig. 1)

1. Protezione anticontraccolpo
2. Tastiera
3. Pulsante SavE
4. Spia di avvertenza
5. Pulsante di avvio/arresto
6. Fermo della leva comando
7. Impugnatura posteriore con protezione della mano destra
8. Carter ventola
9. Serbatoio dell'olio della catena
10. Caricabatterie
11. Cavo di alimentazione
12. Spia di avvertenza
13. Connettore
14. Manuale operatore
15. Coperchio della barra guida
16. Coperchio della rotella di trascinamento
17. Ruotino tendicatena
18. Manopola
19. Fermo della catena
20. Rampone
21. Rocchetto puntale
22. Catena
23. Barra guida
24. Impugnatura anteriore
25. Leva comando
26. Batteria
27. Pulsanti per il rilascio della batteria
28. Stato della batteria
29. Pulsante, stato della batteria
30. Spia di avvertenza

Uso previsto

Questo prodotto è stato progettato per i tagli nel legno.

Nota: I regolamenti nazionali possono imporre restrizioni sull'uso del prodotto.

Simboli riportati sul prodotto

- (Fig. 2) Rischio di lesioni gravi o letali per l'operatore o per terzi. Prestare attenzione e utilizzare il prodotto correttamente.
- (Fig. 3) Leggere attentamente il manuale dell'operatore e accertarsi di averne compreso il contenuto prima dell'utilizzo del prodotto.
- (Fig. 4) Indossare elmetto protettivo, protezioni per gli occhi e le orecchie omologati.
- (Fig. 5) Il prodotto è conforme alle direttive CE vigenti.
- (Fig. 6) Emissioni di rumore nell'ambiente in conformità alla Direttiva Europea 2000/14/CE e alla norma del Nuovo Galles del Sud in materia di protezione dell'ambiente "Protection of the Environment Operations (Noise Control) Regulation 2017". I dati sulle emissioni di rumore sono riportati sull'etichetta della macchina e nel capitolo Dati tecnici,
- (Fig. 7) L'operatore deve usare la motosega afferrandola con entrambe le mani.
- (Fig. 8) Non usare la motosega tenendola con una sola mano.
- (Fig. 9) Non lasciare che la punta della lama di guida tocchi oggetti.
- (Fig. 10) Avvertenza! Il contraccolpo può verificarsi quando la punta della lama guida tocca un

oggetto. In questo modo la barra guida può scagliarsi in direzione dell'operatore. Rischio di lesioni gravi o letali.

- (Fig. 11) Senso di rotazione della catena e lunghezza massima della barra guida.
- (Fig. 12) Freno della catena, inserito (a destra)
Freno della catena, disinserito (a sinistra).
- (Fig. 13) Rabbocco olio della catena.
- (Fig. 14) Corrente diretta.
- (Fig. 15) Non esporre alla pioggia.
- (Fig. 16) **Marchio ecologico.** Il prodotto o l'imballaggio del prodotto non è un rifiuto domestico. Riciclarlo in una stazione di riciclaggio per apparecchiature elettriche ed elettroniche.
- (Fig. 20) La targhetta dati di funzionamento riporta il numero di serie. **aaaa** è l'anno di produzione, **ss** è la settimana di produzione.

Nota: I restanti simboli/decalcomanie sul prodotto riguardano particolari requisiti necessari per ottenere la certificazione in alcuni mercati.

Simboli sulla batteria e/o sul caricabatterie

- (Fig. 21) Riciclare questo prodotto in una stazione di riciclaggio per apparecchiature elettriche ed elettroniche. (Solo per l'Europa)
- (Fig. 17) Trasformatore a prova di guasto.
- (Fig. 18) Utilizzare e conservare il caricabatteria solo in ambienti interni.
- (Fig. 19) Doppio isolamento.

Sicurezza

Definizioni di sicurezza

Le definizioni riportate di seguito forniscono il livello di gravità per ciascuna delle parole di avvertenza.



AVVERTENZA: Lesioni alle persone.



ATTENZIONE: Danni al prodotto.

Nota: Queste informazioni rendono più semplice l'uso del prodotto.

Avvertenze generali di sicurezza dell'attrezzo elettrico



AVVERTENZA: Leggere attentamente tutte le avvertenze di sicurezza e tutte le istruzioni. La mancata osservanza delle avvertenze e delle istruzioni può dare luogo a scosse elettriche, incendi e/o gravi lesioni.

Nota: Conservare tutte le avvertenze e le istruzioni per la futura consultazione. Nelle avvertenze, il termine "attrezzo elettrico" si riferisce al vostro attrezzo elettrico alimentato tramite rete elettrica (con cavo) o a batteria (senza fili).

Sicurezza dell'area di lavoro

- **Tenere l'area di lavoro pulita e ben illuminata.** Le zone in disordine o male illuminate possono provocare incidenti.
- **Non mettere in funzione attrezzi elettrici in ambienti esplosivi, quali quelli che comportano la presenza di liquidi infiammabili, gas o polvere.** Gli attrezzi elettrici generano scintille che possono incendiare polveri o fumi.
- **Tenere lontani bambini e spettatori mentre si fa funzionare un attrezzo elettrico.** Le distrazioni possono causare la perdita del controllo.

Sicurezza elettrica

- **Le spine degli attrezzi elettrici devono essere adatte alle prese. Evitare assolutamente di apportare modifiche alla spina. Non utilizzare adattatori per spine con attrezzi elettrici dotati di messa a terra.** Le spine non modificate e le prese adatte allo scopo riducono il rischio di scosse elettriche.

- **Evitare il contatto del corpo con superfici messe a massa o collegate a terra, come condutture, radiatori, stufe e frigoriferi.** In casi simili si verificherebbe un aumento del rischio di scosse elettriche.
- **Non esporre gli attrezzi elettrici a pioggia o umidità.** L'ingresso di acqua in un attrezzo elettrico fa aumentare il rischio di scosse elettriche.
- **Non rovinare il cavo elettrico. Non usare mai il cavo per trasportare, tirare o staccare dalla presa l'attrezzo elettrico. Non avvicinare il cavo a fonti di calore, olio, spigoli taglienti e neppure a parti della macchina che siano in movimento.** I cavi danneggiati o attorcigliati fanno aumentare il rischio di scosse elettriche.
- **Per il funzionamento di un attrezzo elettrico all'aperto, usare una prolunga adatta per l'uso all'aperto.** L'uso di un cavo di prolunga omologato per l'impiego all'aperto riduce il rischio di scosse elettriche.
- **Se è inevitabile l'uso di un attrezzo elettrico in una ubicazione umida, utilizzare una fonte di alimentazione protetta con interruttore di circuito per guasto di messa a terra (GFCI).** L'uso di un GFCI riduce il rischio di scossa elettrica.
- **Qualora vengano forniti strumenti per il collegamento a strutture di estrazione e raccolta della polvere, accertarsi che queste siano collegate e usate in modo adeguato.** La raccolta della polvere può ridurre i rischi legati alla presenza di questo agente.
- La produzione di vibrazioni durante l'utilizzo del dispositivo elettrico può essere differente dal valore totale dichiarato, a seconda delle modalità di impiego del dispositivo. Gli operatori devono identificare le misure di sicurezza necessarie per la protezione in base a una stima dell'esposizione in condizioni pratiche di utilizzo (tenendo in considerazione le diverse fasi di funzionamento, vale a dire i momenti in cui il dispositivo è spento, quando è in regime di minimo nonché quando è innestato il comando).

Uso e cura dell'attrezzo elettrico

- **Non forzare l'attrezzo elettrico. Usare l'attrezzo elettrico adatto all'applicazione.** L'attrezzo elettrico giusto farà il lavoro meglio e in modo più sicuro se usato alla velocità per la quale è stato progettato.
- **Non usare l'attrezzo elettrico se non è possibile accenderlo o spegnerlo tramite interruttore.** Qualunque attrezzo elettrico che non possa essere controllato tramite interruttore è pericoloso e deve essere riparato.
- **Staccare la spina dalla presa dell'alimentazione e/o la batteria prima di procedere a qualunque regolazione, cambio di accessori o alla conservazione degli attrezzi.** Tali misure di sicurezza preventive riducono il rischio di avvio accidentale dell'attrezzo elettrico.
- **Riporre gli attrezzi elettrici fuori dalla portata dei bambini e non permettere l'uso dei suddetti a persone che non hanno familiarità con tali attrezzi e con queste istruzioni.** Nelle mani di persone inesperte, gli attrezzi elettrici sono pericolosi.
- **Manutenzione degli attrezzi elettrici. Controllare che non si verifichi un errato allineamento o collegamento delle parti in movimento, la rottura di pezzi e qualsivoglia altra condizione che possa inficiare il funzionamento dell'attrezzo elettrico. Qualora danneggiato, riparare l'attrezzo elettrico prima dell'uso.** Molti incidenti sono causati da attrezzi elettrici con una manutenzione inadeguata.
- **Mantenere affilati e puliti gli strumenti da taglio.** Con una manutenzione adeguata, gli strumenti da taglio con bordi affilati risultano più facili da controllare e meno pericolosi.
- **Usare l'attrezzo elettrico, gli accessori, le punte ecc. come indicato dalle presenti istruzioni, tenendo conto delle condizioni di lavoro e della prestazione da effettuare.** L'impiego di attrezzi elettrici per usi diversi da quelli previsti può dar luogo a situazioni di pericolo.

Utilizzo e manutenzione della batteria

- **Ricaricare l'attrezzo esclusivamente utilizzando il caricabatterie specificato dal produttore.** L'utilizzo di

Sicurezza personale

- **Nell'uso di un strumento elettrico, restare alerta, fare attenzione a ciò che si sta facendo e usare il buonsenso. Non usare uno strumento elettrico quando si è stanchi o sotto l'effetto di droga, alcol o farmaci.** Un attimo di disattenzione può causare lesioni personali gravi.
- **Usare sempre abbigliamento protettivo personale. Indossare sempre una protezione per gli occhi.** L'uso in condizioni adeguate dell'abbigliamento protettivo (come mascherina protettiva, calzature di sicurezza antiscivolo, elmetto o cuffie protettive) riduce le lesioni personali.
- **Prevenire la messa in funzione accidentale. Accertarsi che l'interruttore sia in posizione OFF prima di effettuare il collegamento alla presa dell'alimentazione e/o alla batteria, di sollevare o trasportare l'attrezzo.** Il trasporto di attrezzi elettrici tenendo le dita sull'interruttore o su attrezzi che producono corrente e il cui interruttore è acceso, può provocare incidenti.
- **Rimuovere qualunque chiave o strumento di regolazione prima di accendere l'attrezzo elettrico.** Qualunque chiave o attrezzo lasciato attaccato a parti rotanti può causare danni alla persona.
- **Operare in sicurezza. Operare sempre facendo attenzione a posizionare bene i piedi e a mantenere l'equilibrio.** Ciò permette un migliore controllo dell'attrezzo elettrico in situazioni inattese.
- **Vestirsi in maniera adeguata. Non indossare abiti troppo ampi o gioielli. Tenere capelli, indumenti e guanti lontani dalle parti in movimento.** Lasciati liberi, indumenti, gioielli o capelli lunghi possono restare impigliati nelle parti in movimento.

un caricabatterie indicato per un altro tipo di batteria potrebbe provocare rischio di incendio.

- **Utilizzare i dispositivi esclusivamente con le batterie specificate.** L'utilizzo di altri pacchi batteria potrebbe provocare lesioni e incendi.
- **Se la batteria non viene utilizzata, tenerla lontana da altri oggetti metallici, come graffette, monete, chiavi, chiodi, viti o altri piccoli oggetti metallici che potrebbero consentire il collegamento tra i terminali.** Provocare il cortocircuito dei terminali della batteria potrebbe causare ustioni o provocare un incendio.
- **In condizioni non ottimali, la batteria potrebbe perdere liquido; evitare il contatto. Qualora il contatto avvenisse, sciacquare la parte con acqua. Se il liquido entra negli occhi, chiamare immediatamente un medico.** Il liquido fuoriuscito dalla batteria potrebbe causare irritazioni o ustioni.

Assistenza

- **Far riparare l'elettrotensile solo ed esclusivamente da personale specializzato utilizzando solo pezzi di ricambio originali.** Questo garantirà che sia salvaguardata la sicurezza dell'elettrotensile.

Avvertenze di sicurezza della motosega

- **Tenere tutte le parti del corpo lontane dalla motosega durante il funzionamento.** Prima di avviare la motosega, assicurarsi che la catena non è in contatto con corpi estranei. Un semplice momento di disattenzione durante il funzionamento della motosega può provocare l'intrappolamento di abiti o parti del corpo da parte della catena.
- **Impugnare saldamente la motosega con la mano destra sull'impugnatura posteriore e quella sinistra sull'anteriore.** È assolutamente vietato impugnare la motosega invertendo la posizione delle mani in quanto ciò aumenta il rischio di lesioni personali.
- **Impugnare la macchina utilizzando esclusivamente le apposite superfici isolate in quanto la catena può entrare in contatto con cavi nascosti o con il filo della macchina.** Il contatto della catena con un cavo scoperto può causare la messa in tensione dei componenti metallici esposti e provocare una scossa elettrica all'operatore.
- **Indossare occhiali e cuffie protettive. Si raccomanda di utilizzare dispositivi di protezione aggiuntivi per la testa, le mani, le gambe e i piedi.** L'uso di abbigliamento di protezione adeguato riduce il rischio di lesioni personali causate da frammenti volanti o dal contatto accidentale con la catena.
- **Non utilizzare la motosega sugli alberi.** Utilizzare una motosega mentre si è in cima a un albero potrebbe provocare lesioni personali.
- **Mantenere sempre una posizione stabile dei piedi e utilizzare la motosega esclusivamente stando in piedi su una superficie fissa, stabile e piana.** Superfici scivolose e instabili, come ad esempio scale, possono causare la perdita dell'equilibrio o del controllo della motosega.

- **Fare attenzione al movimento di rimbalzo quando si sega un ramo sottoposto a tensione.** Quando viene rilasciata la tensione nelle fibre di legno, il ramo caricato a molla può colpire l'operatore e/o causare la perdita di controllo della motosega.
- **Prestare estrema attenzione quando si segano cespugli e alberelli.** Il materiale sottile può incastrarsi nella catena e colpire l'operatore facendogli perdere l'equilibrio.
- **Trasportare la motosega per l'impugnatura anteriore dopo averla spenta, tenendola lontano dal corpo.** Durante il trasporto o la conservazione della motosega, posizionare sempre il coperchio sulla barra di guida. La corretta movimentazione della motosega riduce il rischio di contatto accidentale con la catena in movimento.
- **Seguire le istruzioni per la lubrificazione, la messa in tensione della catena e la sostituzione degli accessori.** Il tensionamento e la lubrificazione non adeguati della catena possono frenare la motosega e aumentare la possibilità di subire un contraccolpo.
- **Mantenere le mani asciutte, pulite e prive di olio e grasso.** La presenza di residui di grasso e olio rende le maniglie scivolose, provocando la perdita di controllo.
- **Segare esclusivamente legno. Non usare la motosega per scopi diversi. Ad esempio: non usare la motosega per segare plastica, muri o materiali da costruzione diversi dal legno.** L'uso della motosega per operazioni diverse da quelle per le quali è stata progettata può creare situazioni di pericolo.
- Consigliamo vivamente a tutti coloro che utilizzano la motosega per la prima volta di utilizzare un cavalletto o una sella.

Cause del contraccolpo e prevenzione da parte dell'operatore

Il contraccolpo può verificarsi quando la punta della lama entra in contatto con un corpo estraneo o quando il legno si chiude e schiaccia la catena nel taglio. In alcuni casi, il contatto con la punta della barra di guida può provocare una reazione inversa repentina che scaglia la barra di guida verso l'alto e all'indietro in direzione dell'operatore. Lo schiacciamento della catena lungo la parte superiore della barra di guida può spingere rapidamente la barra di guida verso l'operatore. Queste reazioni possono causare la perdita di controllo della motosega, provocando gravi lesioni personali. Non affidarsi esclusivamente ai dispositivi di sicurezza incorporati nella motosega. L'operatore della motosega deve mettere in atto misure adeguate per impedire il verificarsi di incidenti o lesioni personali durante il lavoro. Il contraccolpo è il risultato dell'uso errato della motosega o di procedure o condizioni di funzionamento errate e può essere evitato seguendo le opportune avvertenze riportate a continuazione:

- **Mantenere una presa salda, afferrando le maniglie della motosega tra i pollici e le dita della mano, mantenendo entrambe le mani sulla motosega e posizionando il corpo e il braccio in modo**

appropriato per resistere alla forza esercitata dal contraccolpo. La forza esercitata dal contraccolpo può essere controllata dall'operatore nel caso in cui vengano seguite le opportune avvertenze. Non lasciare andare la motosega.

- **Non allungarsi eccessivamente e non utilizzare la motosega a una altezza superiore alla spalla.** Ciò aiuterà a impedire il contatto accidentale con la punta della lama, consentendo un controllo migliore della motosega in situazioni impreviste.
- **Utilizzare esclusivamente le lame e le catene di ricambio specificate dal fabbricante.** La sostituzione di lame e catene con pezzi di ricambio non adeguati può causare la rottura e/o il contraccolpo della catena.
- **Seguire le istruzioni di affilatura e manutenzione della motosega fornite dal fabbricante.** La diminuzione dell'altezza dell'angolo di spoglia può aumentare il contraccolpo.

CONSERVARE LE PRESENTI ISTRUZIONI.

Istruzioni di sicurezza generali



AVVERTENZA: Leggere le seguenti avvertenze prima di utilizzare il prodotto.

- Questo prodotto è uno strumento pericoloso se non si presta attenzione o se si utilizza il prodotto in modo errato. Il prodotto può causare gravi lesioni o morte dell'operatore o altre persone. È di estrema importanza leggere e comprendere il contenuto di questo manuale di istruzioni.
 - Non modificare il prodotto senza l'autorizzazione del produttore. Non utilizzare un prodotto che sembra essere stato modificato da altri e utilizzare sempre gli accessori originali. Le modifiche non approvate dal produttore possono provocare lesioni gravi o letali all'operatore o a altre persone.
 - L'inalazione prolungata dei fumi dell'olio della catena e della polvere di segatura può causare problemi di salute.
 - Durante il funzionamento, questo prodotto genera un campo elettromagnetico. Tale campo può interferire, in alcuni casi, con persone portatrici di impianti medici attivi o passivi. Per ridurre il rischio di lesioni gravi o letali, raccomandiamo alle persone portatrici di impianti medici di consultare il proprio medico e il produttore dell'impianto prima di utilizzare questo prodotto.
- sicurezza durante le operazioni, spegnere il prodotto. Rivolgersi al centro di assistenza o a un operatore professionale. Evitare ogni tipo di operazione per la quale non ci si ritenga sufficientemente competenti!
 - Rivolgersi al centro di assistenza o a Husqvarna per eventuali domande sul funzionamento del prodotto. Saremo lieti di fornire informazioni su come far funzionare il prodotto in modo efficiente e sicuro. Se possibile, partecipate ad un corso di formazione sul funzionamento della motosega. Il centro di assistenza, l'istituto professionale o la biblioteca possono consigliarvi il materiale didattico disponibile oppure informarvi sui corsi di formazione.
 - È necessario comprendere gli effetti di un contraccolpo e come evitarlo prima di utilizzare questo prodotto. Per le istruzioni, vedere *Informazioni per il contraccolpo alla pagina 212 e Domande frequenti sul contraccolpo alla pagina 211.*
 - Non utilizzare il prodotto, la batteria o il caricabatterie se difettosi.
 - Non toccare la catena in rotazione. Ciò può causare lesioni gravi o letali.
 - Non utilizzare mai il prodotto in condizioni di stanchezza oppure sotto l'effetto di alcolici, stupefacenti o farmaci in grado di compromettere la vista, l'attenzione, la coordinazione o il giudizio.
 - Lavorare in condizioni meteorologiche avverse è spesso stancante e comporta un ulteriore rischio. A causa di questo ulteriore rischio, si consiglia di non utilizzare il prodotto in condizioni meteorologiche sfavorevoli, per esempio, in presenza di nebbia fitta, pioggia battente, vento forte, freddo intenso, rischio di fulmini, ecc.
 - Non avviare il prodotto senza che la barra di guida, la catena e tutti i carter siano correttamente montati. In caso contrario il pignone guida potrebbe allentarsi e causare gravi lesioni. Per le istruzioni, vedere *Montaggio alla pagina 210.*(Fig. 22)
 - Osservare l'ambiente circostante. Accertarsi che non vi sia alcun rischio che persone o animali tocchino o influiscano sul vostro controllo del prodotto.(Fig. 23)
 - Non lasciare che i bambini si avvicinino al prodotto o che lo usino. Data l'estrema facilità di avviamento del prodotto, i bambini potrebbero essere in grado di avviarlo se non sono attentamente sorvegliati. Ciò vuol dire rischio di gravi lesioni.
 - Rimuovere la batteria quando il prodotto non è completamente sotto controllo o quando si lascia il prodotto per un certo periodo di tempo.
 - È necessario assumere una posizione stabile per avere il pieno controllo del prodotto. Non utilizzare il prodotto se ci si trova sopra una scala o su un albero. Non utilizzare il prodotto se non ci si trova su un terreno stabile.(Fig. 24)
 - Se non si presta attenzione, il rischio di contraccolpo aumenta. Il contraccolpo si può verificare se il settore di contraccolpo sulla barra tocca accidentalmente un ramo, un albero o altri oggetti. (Fig. 25)

Istruzioni di sicurezza per l'utilizzo



AVVERTENZA: Leggere le seguenti avvertenze prima di utilizzare il prodotto.

- Le informazioni contenute nel presente manuale operatore non sostituiscono l'esperienza e la professionalità di un professionista. Se non si è in

- Non utilizzare il prodotto con una sola mano. Una mano non è sufficiente per il controllo sicuro del prodotto.
 - Non utilizzare il prodotto ad un'altezza superiore a quella delle spalle e non cercare di tagliare con la punta della lama guida. (Fig. 26)
 - Non utilizzare il prodotto in situazioni dove non è possibile ottenere aiuto in caso di incidente.
 - Arrestare il prodotto e innestare il freno della catena prima di spostarlo. Mantenere il prodotto con la barra di guida e la catena rivolte all'indietro. Mettere una protezione di trasporto sulla barra di guida prima del trasporto o prima di spostarlo per una distanza qualsiasi.
 - Quando si poggia il prodotto a terra, bloccare il freno della catena e sorvegliare costantemente il prodotto. Arrestare il prodotto e rimuovere la batteria prima di lasciare il prodotto per qualsiasi periodo.
 - Vi è il rischio che le schegge di legno si blocchino nel sistema di trasmissione. Ciò può causare l'inceppamento della catena. Arrestare sempre il prodotto e rimuovere la batteria prima di pulirlo.
 - Accertarsi di potersi muovere in sicurezza. Esaminare le condizioni e il terreno circostante per verificare l'eventuale presenza di possibili ostacoli, quali radici, rocce, rami, fossati e molto altro ancora. Prestare attenzione quando si lavora su terreni in pendenza.
 - Il livello di vibrazioni aumenta se si utilizza attrezzatura di taglio non corretta o non correttamente affilata. Il taglio di legni duri come ad es. le latifoglie, causa un maggior numero di vibrazioni rispetto al taglio dei legni teneri, come ad es. conifere. (Fig. 27)
 - La sovraesposizione alle vibrazioni può causare lesioni neuro-vascolari a chi soffre di cattiva circolazione. In caso di sintomi riferibili a sovraesposizione alle vibrazioni rivolgersi al proprio medico. Tali sintomi possono essere torpore, perdita della sensibilità, "punture", "prurito", dolore, riduzione o perdita della forza, decolorazioni della pelle o modifiche strutturali della sua superficie. Questi sintomi si verificano solitamente nelle dita, mani o polsi aumentano a basse temperature.
 - Evitare situazioni che si presumono superiori alle proprie capacità.
 - Non è possibile includere ogni possibile situazione da affrontare quando si utilizza questo prodotto. Usare la massima cautela e il buon senso. (Fig. 28)
- durante il funzionamento. L'abbigliamento protettivo personale non offre una completa protezione da lesioni, tuttavia diminuisce il grado delle lesioni in caso di incidenti. Rivolgersi al centro di assistenza per le raccomandazioni sulle attrezzature da utilizzare.
- Gli indumenti devono essere aderenti ma non limitare i movimenti. Controllare regolarmente le condizioni dell'abbigliamento protettivo personale.
 - Utilizzare un elmetto protettivo omologato.
 - Usare cuffie protettive omologate. Una lunga esposizione al rumore può comportare lesioni permanenti all'udito.
 - Indossare occhiali protettivi o una visiera per ridurre il rischio di danni legati alla proiezione di oggetti. Il prodotto può lanciare oggetti quali trucioli di legno, piccoli pezzi di legno e altro con forte violenza. Possono insorgere gravi lesioni, in particolare agli occhi.
 - Utilizzare guanti dotati di protezione per sega.
 - Utilizzare pantaloni dotati di protezione per sega.
 - Utilizzare stivali dotati di protezione per sega, punta in acciaio e suola antiscivolo.
 - Tenere sempre a portata di mano la cassetta di pronto soccorso.
 - Pericolo di scintille. Tenere sempre a portata di mano degli estintori e una pala per spegnere le fiamme ed evitare incendi boschivi.

Dispositivi di sicurezza sul prodotto



AVVERTENZA: Leggere le seguenti avvertenze prima di utilizzare il prodotto.

- Non utilizzare un prodotto con dispositivi di sicurezza difettosi.
- Effettuare regolarmente un controllo dei dispositivi di sicurezza. Fare riferimento a *Controlli e manutenzione dei dispositivi di sicurezza sul prodotto alla pagina 216*.
- Se i dispositivi di sicurezza sono difettosi, rivolgersi al rivenditore Husqvarna.

Tastiera

La spia lampeggia se il freno della catena viene innestato o se vi è rischio di sovraccarico. La protezione dal sovraccarico arresta temporaneamente il prodotto e non è possibile utilizzare il prodotto fin quando la temperatura viene ripristinata. Se la spia indica luce fissa, rivolgersi al centro di assistenza. (Fig. 30)

Funzione di arresto automatico

Il prodotto dispone di una funzione di arresto automatico che lo ferma se non viene utilizzato per un minuto.

Abbigliamento protettivo personale



AVVERTENZA: Leggere le seguenti avvertenze prima di utilizzare il prodotto.

(Fig. 29)

- La maggior parte degli incidenti si verifica quando la catena colpisce l'operatore. Utilizzare sempre abbigliamento protettivo personale omologato

Freno della catena con protezione anticcontraccolpo

Il prodotto è dotato di un freno della catena che arresta la catena in caso di contraccolpo. Il freno della catena riduce il rischio di incidenti ma soltanto l'operatore può prevenirli con il suo operato.(Fig. 31)



AVVERTENZA: Evitare situazioni dove vi è il rischio di contraccolpo. Prestare la massima attenzione quando si utilizza il prodotto e accertarsi che il settore di contraccolpo sulla barra non tocchi un oggetto.

(Fig. 32)

Il freno della catena (A) si attiva manualmente con la mano sinistra o in automatico con il meccanismo di attivazione inerziale. Spingere la protezione anticcontraccolpo (B) per inserire manualmente il freno della catena. Questo movimento attiva un meccanismo caricato a molla che blocca il pignone guida.(Fig. 33)

Il modo in cui il freno della catena viene innestato è correlato alla forza del contraccolpo e alla posizione del prodotto. In caso di intenso contraccolpo mentre il relativo settore è quello più lontano dall'operatore, il freno della catena viene innestato dal meccanismo inerziale. Se il contraccolpo è leggero e il settore di contraccolpo è più vicino all'operatore, il freno della catena viene innestato manualmente con la mano sinistra.(Fig. 34)

Utilizzare il freno della catena come freno di stazionamento quando si avvia il prodotto e quando ci si sposta per brevi distanze. Ciò diminuisce il rischio che l'operatore o una persona vicina tocchi la catena.(Fig. 35)

Spostare in avanti la protezione anticcontraccolpo per disinserire il freno della catena.(Fig. 36)

Il contraccolpo è improvviso e può essere molto violento. Nella maggior parte dei casi questi contraccolpi sono leggeri e non sempre innestano il freno della catena. Se si verifica un contraccolpo quando si utilizza il prodotto, afferrare saldamente le impugnature e non lasciarle andare. (Fig. 37)

La protezione anticcontraccolpo, inoltre, riduce il rischio di toccare la catena se le mani lasciano andare l'impugnatura anteriore.(Fig. 38)

In posizione di abbattimento non è possibile innestare manualmente il freno della catena. Il freno della catena può essere innestato in questa posizione solo tramite il meccanismo di attivazione inerziale.(Fig. 39)

Fermo della leva comando

Il fermo della leva di comando previene l'avviamento accidentale della leva di comando. Se si mette la mano intorno all'impugnatura e si preme il fermo della leva di comando (A), si rilascia la leva di comando (B).

Rilasciando l'impugnatura, la leva di comando e il fermo

della leva di comando ritornano entrambi alla posizione iniziale.(Fig. 40)

Fermo della catena

Il fermo della catena afferra la catena in caso di rottura o di allentamento. Con la corretta tensione della catena, il rischio diminuisce. Inoltre, è possibile ridurre il rischio se si effettua la corretta manutenzione sulla barra di guida e sulla catena. Per le istruzioni, vedere *Serraggio della catena alla pagina 218* e *Manutenzione alla pagina 215*.(Fig. 41)

Protezione della mano destra

La protezione della mano destra funziona come protezione per la mano se la catena si rompe o si allenta. Inoltre impedisce interferenze causate da rami aramati quando si utilizza il prodotto.(Fig. 42)

Sicurezza batterie



AVVERTENZA: Leggere le seguenti avvertenze prima di utilizzare il prodotto.

- Utilizzare solo batterie BLi consigliate per il prodotto. Le batterie sono codificate mediante software.
- Utilizzare le batterie BLi ricaricabili come alimentazione per i soli prodotti Husqvarna in questione. Per evitare il rischio di lesioni, non utilizzare la batteria come fonte di alimentazione per altri dispositivi.
- Rischio di scosse elettriche. Non collegare i morsetti della batteria a chiavi, viti o altro tipo di metallo. Ciò può causare un corto circuito della batteria.
- Non utilizzare batterie non ricaricabili.
- Non inserire oggetti nelle feritoie di aerazione della batteria.
- Tenere la batteria lontano dalla luce del sole, dal calore o da fiamme libere. La batteria può causare bruciature e/o ustioni chimiche.
- Tenere la batteria lontano da pioggia e umidità.
- Tenere la batteria lontano da microonde e alta pressione.
- Non tentare di smontare o rompere la batteria.
- Evitare il contatto cutaneo con l'acido della batteria. L'acido della batteria provoca lesioni alla pelle, corrosione e ustioni. In caso di contatto con gli occhi, non strofinare, ma sciacquare gli occhi con acqua abbondante per almeno 15 minuti. Se l'acido della batteria viene a contatto con la pelle, lavare la cute con abbondante acqua e sapone. Consultare un medico.
- Utilizzare la batteria a temperature comprese tra -10 °C (14 °F) e 40 °C (104 °F).
- Non pulire la batteria o il caricabatteria con acqua. Vedere *Esecuzione del controllo della batteria e del vano batteria alla pagina 217*.
- Non utilizzare una batteria difettosa o danneggiata.

- Conservare le batterie lontano da oggetti metallici, come ad esempio chiodi, viti o gioielli.
- Tenere la batteria fuori dalla portata dei bambini.

Sicurezza del caricabatterie



AVVERTENZA: Leggere le seguenti avvertenze prima di utilizzare il prodotto.

- Rischio di scosse elettriche o cortocircuiti se non si osservano le istruzioni di sicurezza.
- Utilizzare una presa di corrente con messa a terra omologata che non sia danneggiata.
- Non utilizzare caricabatterie diverso da quello fornito per il prodotto. Utilizzare i caricabatterie Husqvarna QC solo per ricaricare le batterie di ricambio BLi Husqvarna.
- Non tentare di smontare il caricabatterie.
- Non utilizzare un caricabatterie difettoso o danneggiato.
- Non sollevare il caricabatterie tramite il cavo di alimentazione. Per scollegare il caricabatterie da una presa di rete, tirare la spina. Non tirare il cavo di alimentazione.
- Tenere tutti i cavi e le prolunghe lontani da acqua, olio e bordi appuntiti. Fare attenzione affinché il cavo non si incastri in porte, ostacoli o simili.
- Non utilizzare il caricabatterie in prossimità di materiali infiammabili o materiali corrosivi. Accertarsi che il caricabatterie non sia coperto. Staccare la spina del caricabatterie in caso di fumo o incendio.
- Caricare la batteria solo in luoghi chiusi, in una posizione con un buon flusso d'aria e lontano dalla luce diretta del sole. Non caricare la batteria all'aperto. Non caricare la batteria in condizioni di umidità.
- Utilizzare esclusivamente il caricabatterie a temperature comprese tra 5 °C (41 °F) e 40 °C (104 °F). Utilizzare il caricabatterie in un ambiente con adeguato flusso d'aria, asciutto e privo di polvere.
- Non inserire oggetti nelle feritoie di raffreddamento del caricabatterie.
- Non collegare i terminali del caricabatterie a oggetti metallici, poiché questo può provocare un cortocircuito del caricabatterie.
- Utilizzare prese di rete omologate che non siano danneggiate.

Istruzioni di sicurezza per la manutenzione



AVVERTENZA: Leggere le seguenti avvertenze prima di eseguire la manutenzione del prodotto.

- Rimuovere la batteria prima di eseguire la manutenzione, altri controlli o montare il prodotto.

- L'operatore deve eseguire solo gli interventi di manutenzione e assistenza indicati in questo manuale operatore. Rivolgersi al Centro di assistenza di competenza per interventi di manutenzione e assistenza più importanti.
- Non pulire la batteria o il caricabatterie con acqua. Detergenti aggressivi possono causare danni alla plastica.
- Se non si esegue la manutenzione, si riduce il ciclo di vita del prodotto e aumenta il rischio di incidenti.
- È necessaria una formazione specifica per eseguire tutti gli interventi di manutenzione e lavori di riparazione, in particolare per i dispositivi di sicurezza del prodotto. Se non vengono approvati tutti i controlli descritti nel presente manuale operatore, dopo aver eseguito la manutenzione, contattare il Centro di assistenza. La nostra azienda garantisce la disponibilità di personale qualificato per le riparazioni e l'assistenza del prodotto.
- Utilizzare unicamente ricambi originali.

Istruzioni di sicurezza per l'attrezzatura di taglio



AVVERTENZA: Leggere le seguenti avvertenze prima di utilizzare il prodotto.

- Utilizzare solo la barra di guida/le combinazioni di catena e attrezzature di affilatura raccomandate. Per le istruzioni, vedere *Accessori alla pagina 222*.
- Indossare guanti protettivi quando si maneggia la catena o quando si esegue la manutenzione. Una catena che non si muove può causare anche lesioni.
- Mantenere i denti di taglio ben affilati. Seguire le istruzioni e usare la dima di affilatura consigliata. Una catena danneggiata o mal affilata aumenta il rischio di incidenti.(Fig. 43)
- Mantenere una corretta regolazione dello spessore del truciolo. Seguire le istruzioni, mantenendo la regolazione del limitatore di spessore. Una regolazione del limitatore di spessore troppo grande aumenta il rischio di contraccolpo.(Fig. 44)
- Assicurarsi che la catena sia correttamente tesa. Se la catena non è serrata contro la barra di guida, la catena può sganciarsi. Una tensione della catena non corretta aumenta l'usura della barra di guida, della catena e del pignone di azionamento della catena. Fare riferimento a *Serraggio della catena alla pagina 218*.(Fig. 45)
- Eseguire la manutenzione dell'attrezzatura di taglio regolarmente e mantenerla correttamente lubrificata. Se la catena non è correttamente lubrificata, il rischio di usura della barra di guida, della catena e del pignone di azionamento della catena aumenta. (Fig. 46)

Montaggio

Introduzione



AVVERTENZA: Leggere e comprendere il capitolo sulla sicurezza prima di montare il prodotto.

Montaggio della barra guida e della catena



AVVERTENZA: Rimuovere sempre la batteria prima di montare o di eseguire la manutenzione del prodotto.

1. Disinserire il freno della catena. (Fig. 47)
2. Allentare la manopola e rimuovere il coperchio del pignone guida (freno della catena) e la protezione di trasporto (A). (Fig. 48)
3. Posizionare la barra guida sopra il bullone della barra. Portare la barra guida nella sua posizione più arretrata. Sollevare la catena sopra il pignone guida e inserirla nella scanalatura sulla barra guida. Cominciare dalla parte superiore della barra guida. (Fig. 49)

4. Assicurarsi che i bordi degli attacchi di taglio siano rivolti in avanti sul lato superiore della barra guida.
5. Montare il coperchio del pignone guida e inserire il fermo tendicateni nel foro sulla barra guida.
6. Assicurarsi che le maglie di trascinamento della catena si innestino correttamente sul pignone guida.
7. Assicurarsi che la catena sia inserita correttamente nella scanalatura della barra guida.
8. Serrare la catena. Per le istruzioni, vedere *Serraggio della catena alla pagina 218*.

Montaggio di un rampone

Per montare un rampone, rivolgersi a un centro di assistenza.

Utilizzo

Introduzione



AVVERTENZA: Leggere e comprendere il capitolo sulla sicurezza prima di utilizzare la macchina.

Verifica della funzionalità della macchina prima del suo utilizzo

1. Eseguire un controllo del freno della catena (A) per assicurarsi che funzioni correttamente e che non sia danneggiato.
2. Eseguire un controllo della protezione della mano destra (B) per accertarsi che non sia danneggiata.
3. Eseguire un controllo del fermo della leva comando (C) per assicurarsi che funzioni correttamente e che non sia danneggiato.
4. Eseguire un controllo della tastiera (D) per assicurarsi che funzioni correttamente.
5. Accertarsi che non vi siano tracce di olio sulle impugnature (E).
6. Eseguire un controllo per assicurarsi che tutte le parti siano assemblate correttamente e non siano danneggiate o assenti.

7. Eseguire un controllo del fermo della catena (F) per assicurarsi che sia assemblato correttamente.
8. Eseguire il controllo della tensione della catena (G).
9. Caricare la batteria (H) e accertarsi che sia correttamente collegata al prodotto.
10. Accertarsi che la catena si arresti premendo la leva comando. (Fig. 50)

Olio per catena

Tutte le motoseghe Husqvarna sono dotate di lubrificazione automatica della catena. Su alcuni modelli il flusso dell'olio è regolabile.

Quando si sceglie un olio della catena, considerare quanto segue:

(Fig. 51)

- Il serbatoio dell'olio dura circa tre cariche della batteria. Ciò è valido solo se si utilizza il corretto olio della catena. Se l'olio della catena è troppo fluido, non durerà a lungo.
- L'olio della catena deve presentare una buona aderenza alla catena e conservare le sue caratteristiche di fluidità d'estate e d'inverno.
- Utilizzare un olio con una gradazione adatta alla temperatura dell'aria (della viscosità più appropriata). A temperature inferiori a 0°C (32°F) alcuni oli

diventano eccessivamente densi. Questo può sovraccaricare la pompa dell'olio danneggiandone i componenti.

- Utilizzare l'attrezzatura di taglio consigliata. Una barra guida troppo lunga consumerà più olio per catena.
- Rivolgersi al proprio centro di assistenza per scegliere un olio della catena.



AVVERTENZA: Non riutilizzare l'olio di scarico! L'olio di scarico è pericoloso per le persone e per l'ambiente. L'olio di scarico inoltre può provocare danni alla pompa dell'olio, alla barra guida e alla catena.



AVVERTENZA: Se la lubrificazione dell'attrezzatura di taglio non è sufficiente, ciò può causare la rottura della catena. Questo prodotto può causare lesioni gravi o letali all'operatore.



ATTENZIONE: Se si utilizza olio della catena a base vegetale, pulire la scanalatura della barra di guida e la catena prima del lungo immagazzinamento. In caso contrario, vi è il rischio di ossidazione della catena, con conseguente irrigidimento e che il rocchetto puntale rimanga intasato.

Domande frequenti sul contraccolpo

- **È sufficiente il contatto con la mano per innestare il freno della catena in caso di contraccolpo?**

No. È necessario utilizzare una certa forza per spingere in avanti la protezione anticontraccolpo. Se non si utilizza la forza necessaria, il freno della catena non si innesta. Inoltre, è necessario mantenere le impugnature del prodotto stabilmente con le due mani durante il lavoro. Se si verifica un contraccolpo, il freno della catena potrebbe non arrestare la catena prima che questa colpisca l'operatore. Vi sono inoltre alcune posizioni nelle quali la mano non può toccare la protezione anticontraccolpo per innestare il freno della catena.

- **Il meccanismo di attivazione inerziale innesta sempre il freno della catena durante il contraccolpo?**

No. Per prima cosa, il freno della catena deve funzionare correttamente. Per le istruzioni su come eseguire un controllo del freno della catena, fare riferimento a *Manutenzione alla pagina 215*. Si raccomanda di eseguire questa operazione ogni volta prima di utilizzare il prodotto. In secondo luogo, il contraccolpo deve essere grande per innestare il freno della catena. Se il freno della catena è troppo sensibile, si può innestare durante il funzionamento accidentato.

- **Il freno della catena protegge sempre l'operatore dalle lesioni di un eventuale contraccolpo?**

No. Il freno della catena deve funzionare correttamente per fornire protezione. Il freno della catena deve essere innestato anche durante un contraccolpo per arrestare la catena. Se si è in prossimità della barra di guida, il freno della catena potrebbe non avere il tempo per arrestare la catena prima che colpisca l'operatore.



AVVERTENZA: Solamente l'operatore e una corretta tecnica di lavoro possono evitare i contraccolpi.

Per collegare il caricabatterie

1. Collegare il caricabatterie alla tensione e alla frequenza indicate sulla targhetta dati di funzionamento.
2. Inserite la spina in una presa di corrente con messa a terra.

Nota: La batteria non si carica se la sua temperatura è superiore a 50 °C/122 °F. Se la temperatura è superiore a 50 °C/122 °F, il caricabatterie raffredda la batteria.

Per caricare la batteria

Nota: È necessario caricare la batteria prima di utilizzarla per la prima volta. Una batteria nuova è carica solo al 30 %.

1. Collegare la batteria al caricabatterie. (Fig. 52)
2. Accertarsi che la spia di carica verde sul caricabatterie si accenda. Ciò indica che la batteria è collegata correttamente al caricabatterie. (Fig. 53)
3. Quando tutti i LED sulla batteria sono accesi, la batteria è completamente carica. (Fig. 54)
4. Per scollegare il caricabatterie dalla presa di rete, tirare la spina. Non tirare il cavo.
5. Scollegare la batteria dal caricabatterie.

Nota: Fare riferimento ai manuali della batteria e del caricabatterie per ulteriori informazioni.

Avviamento dell'unità

1. Effettuare un controllo della leva di comando e del fermo della leva. Vedere *Controllo del fermo della leva comando alla pagina 217*.
2. Spostare in avanti la protezione anticontraccolpo per inserire il freno della catena. (Fig. 38)
3. Inserire la batteria nel relativo supporto. (Fig. 55)
4. Premere sulla parte inferiore della batteria fin quando si percepisce uno scatto.



ATTENZIONE: Se la batteria si muove facilmente nel relativo supporto, non è collegata correttamente nel supporto della batteria.

(Fig. 56)

5. Premere e tenere premuto il pulsante di avvio/arresto fin quando il LED verde si accende. (Fig. 57)

Per utilizzare la funzione SavE

Questo prodotto dispone di una funzione di risparmio energetico, SavE. La funzione SavE diminuisce la velocità della catena e offre il maggior tempo di funzionamento dalla batteria.

Nota: La funzione SavE non diminuisce la potenza di taglio del prodotto.

1. Premere il pulsante SavE sulla tastiera.
2. Accertarsi che il LED verde si accenda.
3. Premere nuovamente il pulsante SavE per scollegare la funzione. Il LED verde si spegne. (Fig. 58)

Arresto dell'unità

1. Premere e tenere premuto il pulsante di avvio/arresto sulla tastiera fino allo spegnimento della spia LED verde. (Fig. 57)
2. Estrarre la batteria e premere i pulsanti per il rilascio della batteria per rimuovere la batteria dal relativo supporto. (Fig. 59)



AVVERTENZA: Rimuovere la batteria quando non viene utilizzata o quando non si ha sotto pieno controllo il prodotto. In tal modo si impedisce l'avviamento accidentale.

Informazioni per il contraccolpo



AVVERTENZA: Un contraccolpo può causare lesioni gravi o letali all'operatore o a terzi. Per ridurre il rischio è necessario conoscere le cause del contraccolpo e come evitarle.

Un contraccolpo può verificarsi solo quando il settore di contraccolpo sulla barra di guida tocca un oggetto. Un contraccolpo può verificarsi improvvisamente e con grande violenza, scagliando il prodotto contro l'operatore. (Fig. 60)

Il contraccolpo avviene sempre lungo il piano di taglio della barra di guida. In genere, il prodotto viene lanciato contro l'operatore, ma può anche spostarsi in un'altra direzione. Il modo in cui si utilizza il prodotto, quando si verifica il contraccolpo, induce la direzione del movimento. (Fig. 61)

Il contraccolpo può verificarsi solo quando il settore di contraccolpo della barra incontra un oggetto. Non lasciare che il settore di contraccolpo tocchi un oggetto. (Fig. 60)

Un piccolo raggio sulla punta della barra diminuisce la forza del contraccolpo.

Utilizzare una catena con basso contraccolpo per ridurre gli effetti di contraccolpo. Non lasciare che il settore di contraccolpo tocchi un oggetto.



AVVERTENZA: Nessuna catena impedisce completamente il contraccolpo. Attenersi sempre alle istruzioni.

Utilizzo della tecnica di taglio



AVVERTENZA: Utilizzare la piena potenza quando si taglia e diminuire la velocità fino a raggiungere il regime minimo dopo ogni taglio.



ATTENZIONE: Non lasciare che il motore funzioni troppo a lungo senza carico. Ciò può causare danni al motore.

1. Posizionare il tronco su un cavalletto o sulle guide. (Fig. 62)



AVVERTENZA: Non tagliare tronchi accatastati. Ciò aumenta il rischio di contraccolpo e può causare lesioni gravi o letali.

2. Rimuovere i pezzi segati dall'area di lavoro.



AVVERTENZA: I pezzi segati nell'area di lavoro aumentano il rischio di contraccolpo e la possibilità di mantenere l'equilibrio.

Taglio di un tronco a terra

1. Tagliare il tronco con catena a tirare. Mantenere la piena potenza restando sempre all'erta per eventuali incidenti improvvisi. (Fig. 63)



AVVERTENZA: Assicurarsi che la catena non venga a contatto con il terreno quando si completa il taglio.

2. Tagliare circa $\frac{2}{3}$ del tronco e poi fermarsi. Ruotare il tronco e tagliare dal lato opposto. (Fig. 64)

Taglio di un tronco che ha un supporto a un'estremità



AVVERTENZA: Accertarsi che il tronco non si rompa durante le operazioni di taglio. Rispettare le istruzioni riportate di seguito.

(Fig. 65)

1. Tagliare con catena in spinta circa $\frac{1}{3}$ del tronco.
2. Tagliare il tronco con catena a tirare fin quando i due intagli si incontrano. (Fig. 66)

Taglio di un tronco che ha un supporto su due estremità



AVVERTENZA: Assicurarsi che la catena non rimanga impigliata nel tronco durante l'operazione di taglio. Rispettare le istruzioni riportate di seguito.

(Fig. 67)

1. Tagliare con catena a tirare circa $\frac{1}{3}$ del tronco.
2. Tagliare la parte restante del tronco con la catena in spinta per completare il taglio. (Fig. 68)



AVVERTENZA: Spegner il motore se la catena resta impigliata nel tronco. Utilizzare una leva per aprire il taglio e rimuovere il prodotto. Non provare a estrarre il prodotto a mano. Ciò può causare lesioni quando il prodotto si blocca improvvisamente.

Esecuzione di una sramatura

Nota: Per rami spessi, utilizzare la tecnica di taglio. Vedere *Utilizzo della tecnica di taglio alla pagina 212.*



AVVERTENZA: C'è un elevato rischio di incidenti quando si utilizza la sramatura. Per istruzioni su come prevenire un contraccolpo, fare riferimento a *Informazioni per il contraccolpo alla pagina 212.*



AVVERTENZA: Tagliare i rami uno alla volta. Prestare attenzione quando si rimuovono i rami piccoli e non tagliare cespugli o più rami piccoli allo stesso tempo. I rami piccoli possono impigliarsi nella catena e impedire un utilizzo sicuro del prodotto.

Nota: Tagliare i rami pezzo per pezzo se è necessario. (Fig. 69)

1. Rimuovere i rami sul lato destro del tronco.
 - a) Tenere la barra di guida sul lato destro del tronco e mantenere il corpo del prodotto contro il tronco.
 - b) Selezionare la tecnica di taglio da applicare alla tensione nel ramo. (Fig. 70)



AVVERTENZA: Se non si è sicuri su come tagliare il ramo, rivolgersi a un operatore professionale della motosega prima di continuare.

2. Rimuovere i rami nella parte superiore del tronco.
 - a) Mantenere il prodotto sul tronco e lasciare che la barra di guida si sposti lungo il tronco.
 - b) Tagliare con catena in spinta. (Fig. 71)
3. Rimuovere i rami sul lato sinistro del tronco.
 - a) Selezionare la tecnica di taglio da applicare alla tensione nel ramo. (Fig. 72)



AVVERTENZA: Se non si è sicuri su come tagliare il ramo, rivolgersi a un operatore professionale della motosega prima di continuare.

Per le istruzioni su come tagliare rami in tensione, fare riferimento a *Taglio di tronchi e rami in tensione alla pagina 215.*

Uso della tecnica di abbattimento degli alberi



AVVERTENZA: È necessario avere esperienza per abbattere un albero. Se possibile, seguire un corso di formazione per le operazioni di utilizzo della motosega. Rivolgersi a un operatore esperto per avere maggiori informazioni.

Mantenere una distanza di sicurezza

1. Assicurarsi che le persone lì intorno mantengano una distanza di sicurezza di minimo di 2 volte e $\frac{1}{2}$ la lunghezza dell'albero stesso. (Fig. 73)
2. Accertarsi che non siano presenti persone nella zona a rischio prima e durante l'abbattimento. (Fig. 74)

Calcolo della direzione di caduta

1. Esaminare in quale direzione è necessario far cadere l'albero. Scopo dell'abbattimento è di far cadere l'albero nella migliore posizione per la successiva sramatura e il sezionamento del tronco. È anche importante rimanere stabilmente sui propri piedi e spostarsi in modo sicuro.



AVVERTENZA: Se è pericoloso o impossibile far cadere l'albero nella direzione naturale, far cadere l'albero in un'altra direzione.

2. Esaminare la direzione naturale di caduta dell'albero. Ad esempio, l'inclinazione e la piegatura del tronco, la direzione del vento, la posizione dei rami e il peso della neve.
3. Verificare se vi sono ostacoli intorno, ad esempio altri alberi, linee elettriche, strade e/o gli edifici.
4. Controllare se il tronco presenta segni di danni o decomposizione nel fusto.



AVVERTENZA: La decomposizione del fusto può implicare il rischio di caduta dell'albero prima del completamento del taglio.

5. Accertarsi che l'albero non abbia rami danneggiati o morti che potrebbero staccarsi durante l'abbattimento e colpire l'operatore.
6. Non far cadere l'albero su un altro albero in verticale. Rimuovere un albero rimasto impigliato è un'operazione pericolosa e il rischio di incidenti è alto. Vedere *Liberazione di un albero intrappolato alla pagina 215*. (Fig. 75)



AVVERTENZA: Durante le operazioni di abbattimento critiche, sollevare immediatamente le cuffie protettive una volta completato il lavoro di taglio. È importante sentire rumori e segnali di allarme.

Sramatura prima del taglio e percorso di ritirata

Tagliare tutti i rami dall'altezza delle spalle e verso il basso.

1. Tagliare con catena a tirare dall'alto verso il basso. Assicurarsi che l'albero sia tra voi e il prodotto. (Fig. 76)
2. Eliminare la vegetazione bassa dall'area di lavoro intorno all'albero. Rimuovere tutto il materiale tagliato dall'area di lavoro.

3. Effettuare un controllo dell'area per eventuali ostacoli, quali pietre, rami e buche. Deve essere disponibile un percorso di ritirata senza ostacoli quando l'albero comincia a cadere. Il percorso di ritirata deve essere a circa 135 gradi rispetto alla direzione di caduta.

1. Zona di rischio
2. Percorso di ritirata
3. Direzione di caduta

(Fig. 77)

Abbattimento di un albero

Husqvarna consiglia di eseguire i tagli direzionali e di utilizzare poi il metodo con angolo di sicurezza quando si abbate un albero. Il metodo con angolo di sicurezza aiuta a realizzare una corretta cerniera di abbattimento e a controllarne la direzione di caduta.



AVVERTENZA: Non abbattere un albero che presenta un diametro più di due volte maggiore rispetto alla lunghezza della barra di guida. A tale scopo, è necessario possedere una formazione specifica.

Esecuzione dei tagli direzionali

1. Esecuzione dei tagli direzionali. Eseguire tagli direzionali per 1/4 del diametro dell'albero. Creare un angolo di 45° tra il taglio superiore e quello inferiore.
 - a) Eseguire il taglio superiore per primo. Allineare il segno della direzione di caduta (A) del prodotto con la direzione di caduta dell'albero (B). Rimanere dietro il prodotto e mantenere l'albero sul lato destro. Tagliare con la catena a tirare.
 - b) Effettuare il taglio inferiore. Assicurarsi che l'estremità di taglio inferiore si trovi nello stesso punto della fine del taglio superiore. (Fig. 78)
2. Assicurarsi che la linea del taglio direzionale sia perfettamente orizzontale e ad angolo retto (90°) rispetto alla direzione di caduta. La linea del taglio direzionale passa attraverso il punto in cui si incontrano i due tagli direzionali. (Fig. 79)

Esecuzione del taglio di abbattimento

Nota: Il taglio di abbattimento viene realizzato sul lato opposto dell'albero dai tagli direzionali.

1. Eseguire il taglio di abbattimento circa 3-5 cm/1,5-2" al di sopra dei tagli direzionali inferiori. Il taglio deve essere perfettamente orizzontale. (Fig. 80)
2. Se si dispone di un rampone, posizionarlo dietro la cerniera di abbattimento.
3. Tagliare con la catena a tirare, utilizzare la potenza piena e far avanzare lentamente la catena/la barra di guida nell'albero. Verificare che l'albero non cada in una direzione indesiderata.

- Utilizzare un cuneo o una barra frenante nel taglio se il taglio ha una profondità precisa. (Fig. 81)
- Completare il taglio di abbattimento parallelamente alla linea del taglio direzionale. Assicurarsi che la distanza tra loro sia ad un minimo di 1/10 del diametro del tronco. La parte di tronco non tagliata è la cerniera di abbattimento. La cerniera di abbattimento controlla la direzione di caduta. (Fig. 82)



AVVERTENZA: Non si può controllare la direzione di caduta se la cerniera di abbattimento è usurata o se è troppo sottile. Ciò vale anche se non sono stati effettuati tagli direzionali e taglio di abbattimento correttamente.

(Fig. 83)

- In questo momento, l'albero cadrà per forza propria o con l'ausilio di un cuneo o di una barra frenante. (Fig. 84)

Nota: Utilizzare una barra guida più lunga del diametro dell'albero. Ciò consente di effettuare il taglio di abbattimento e i tagli direzionali con un colpo di taglio ciascuno. Vedere *Accessori alla pagina 222* per scoprire le lunghezze della barra raccomandate per il prodotto.

(Fig. 85)

Liberazione di un albero intrappolato



AVVERTENZA: Far cadere un albero rimasto impigliato è un'operazione molto pericolosa e il rischio di incidenti è alto. Mantenersi distanti dalla zona di rischio e non tentare di abbattere un albero intrappolato.

(Fig. 86)

La procedura più sicura è quella di usare uno dei seguenti verricelli:

- Montato sul trattore (Fig. 87)

- Manuale (Fig. 88)

Taglio di tronchi e rami in tensione

- Individuare quale lato del ramo o tronco è in tensione.
- Capire dove si trova il punto di massima tensione. (Fig. 89)
- Esaminare quale è la procedura più sicura per allentare la tensione.

Nota: In alcune situazioni l'unica procedura sicura è utilizzare un verricello e non il prodotto.

- Mantenere una posizione nella quale l'albero o il ramo non possa colpire l'operatore quando la tensione viene allentata. (Fig. 90)
- Eseguire uno o più tagli di profondità sufficiente per diminuire la tensione. Tagliare in corrispondenza o vicino al punto di massima tensione. Far rompere l'albero o il ramo nel punto di massima tensione. (Fig. 91)



AVVERTENZA: Non tagliare completamente un ramo o un tronco in tensione.



AVVERTENZA: Prestare la massima attenzione quando si taglia un albero in tensione. Vi è il rischio che l'albero si sposti rapidamente prima o dopo il taglio. Si possono verificare gravi lesioni se ci si trova in una posizione non corretta o nel caso in cui il taglio è stato eseguito in modo errato.

- Se si effettua un taglio attraverso un tronco/ramo, eseguire 2 o 3 tagli, distanti 1" l'uno dall'altro e con una profondità di 2". (Fig. 92)
- Continuare a tagliare oltre nel tronco fino a quando il tronco/ramo si piega e la tensione viene allentata. (Fig. 93)
- Tagliare il tronco/ramo dal lato opposto a quello curvato, dopo che la tensione è stata allentata.

Manutenzione

Introduzione



AVVERTENZA: Leggere attentamente il capitolo sulla sicurezza prima di eseguire la manutenzione del prodotto.



AVVERTENZA: Rimuovere la batteria prima di eseguire la manutenzione.

Qui di seguito è disponibile una lista delle operazioni di manutenzione da eseguire sul prodotto. Per ulteriori informazioni, vedere *Manutenzione alla pagina 215*.

Manutenzione	Prima dell'uso	Una volta a settimana	Una volta al mese
Pulire esternamente il prodotto.	X		
Assicurarsi che il fermo della leva comando e la leva comando funzionino correttamente e in modo sicuro.	X		
Pulire il freno della catena e verificare che funzioni correttamente. Accertarsi che il fermo della catena non sia danneggiato. Sostituirlo se necessario.	X		
Invertire la barra di guida per un'usura più uniforme. Assicurarsi che il foro di lubrificazione sulla barra di guida non sia ostruito. Pulire la guida della catena.	X		
Assicurarsi che il tagliente e la relativa protezione non presentino incrinature e che non abbiano subito danni. Sostituire il tagliente o la relativa protezione se presentano incrinature o nel caso in cui abbiano subito degli urti.	X		
Assicurarsi che la barra di guida e la catena ricevano olio a sufficienza.	X		
Eseguire il controllo della catena. Verificare l'eventuale presenza di incrinature e assicurarsi che la catena non sia rigida o usurata in modo non regolare. Sostituire se necessario.	X		
Affilare la catena. Effettuare un controllo delle condizioni e della tensione. Eseguire il controllo dell'usura del pignone guida e sostituirlo se necessario.	X		
Pulire la presa d'aria sul prodotto.	X		
Assicurarsi che i dadi e le viti siano serrati a fondo.	X		
Accertarsi che la tastiera funzioni correttamente e che non sia danneggiata.	X		
Limare eventuali irregolarità sui bordi della barra di guida.		X	
Effettuare un controllo dei collegamenti tra la batteria e il prodotto. Controllare il collegamento tra la batteria e il caricabatterie.			X
Svuotare e pulire il serbatoio dell'olio.			X
Soffiare delicatamente aria compressa all'interno del prodotto e sulle feritoie di raffreddamento della batteria.			X

Controlli e manutenzione dei dispositivi di sicurezza sul prodotto

Controllo della protezione anticontraccolpo

Eseguire regolarmente un controllo della protezione anticontraccolpo e del meccanismo di attivazione inerziale del freno.

1. Controllare che la protezione anticontraccolpo sia integra e senza difetti evidenti, come incrinature. (Fig. 94)
2. Accertarsi che la protezione anticontraccolpo si muova liberamente e che sia fissata in modo sicuro al prodotto. (Fig. 95)
3. Collocare il prodotto, a motore spento, su un ceppo o su un'altra superficie stabile.

4. Afferrare l'impugnatura posteriore e lasciare l'impugnatura anteriore. Lasciar cadere il prodotto sul ceppo. (Fig. 96)
5. Assicurarsi che il freno della catena si azioni quando la barra guida colpisce il ceppo.

Controllo della leva del freno

1. Posizionare il prodotto su una superficie stabile e avviarlo. Vedere *Introduzione alla pagina 210*.



AVVERTENZA: Assicurarsi che la catena non venga a contatto con il terreno o con altri oggetti.

2. Afferrare con le dita e i pollici le impugnature e mantenere fermo il prodotto. (Fig. 37)

3. Applicare la massima potenza e inclinare in avanti il polso sinistro verso la protezione anticontraccolpo per attivare il freno della catena. La motosega deve arrestarsi immediatamente. (Fig. 97)



AVVERTENZA: Non lasciare l'impugnatura anteriore!

Controllo del fermo della leva comando

1. Controllare che la leva comando e il relativo fermo si muovano liberamente e che le molle di richiamo funzionino a dovere. (Fig. 98)
2. Abbassare il fermo della leva di comando e accertarsi che ritorni nella posizione iniziale quando viene rilasciato. (Fig. 99)
3. Assicurarsi che la leva di comando sia bloccata sul minimo quando viene rilasciato il fermo della leva di comando. (Fig. 100)
4. Avviare il prodotto e applicare piena potenza.
5. Rilasciare la leva comando e accertarsi che la catena si arresti e rimanga ferma. Se la catena gira con la leva comando al minimo, contattare il centro di assistenza.

Controllo del fermo della catena

1. Accertarsi che il fermo della catena sia integro.
2. Assicurarsi che il fermo della catena sia stabile e fissato al corpo del prodotto. (Fig. 41)

Controllare la tastiera

1. Avviare il prodotto. Vedere *Utilizzo alla pagina 210*
2. Premere nuovamente il pulsante di avvio/arresto.
3. Accertarsi che il prodotto si arresti quando si tiene premuto il pulsante. Il LED verde si spegne. (Fig. 57)

Esecuzione del controllo della batteria e del vano batteria

1. Pulire la batteria e il relativo vano con una spazzola morbida. (Fig. 101)
2. Accertarsi che le feritoie di raffreddamento e i collegamenti della batteria siano puliti.
3. Accertarsi che la batteria sia integra e senza difetti evidenti, come incrinature. (Fig. 102)

Esecuzione del controllo del caricabatterie

1. Accertarsi che il caricabatterie o il cavo di alimentazione non siano danneggiati. Verificare l'eventuale presenza di incrinature o altri difetti.

Per pulire il sistema di raffreddamento

Il prodotto dispone di un sistema di raffreddamento che mantiene più bassa possibile la temperatura.

Il sistema di raffreddamento comprende una presa d'aria sul lato sinistro del prodotto e una ventola del motore.

1. Pulire il sistema di raffreddamento con una spazzola settimanalmente o più spesso se le condizioni lo richiedono. (Fig. 103)
2. Accertarsi che il sistema di raffreddamento non sia sporco o ostruito.



ATTENZIONE: Se il sistema di raffreddamento è sporco o ostruito può causare il surriscaldamento del prodotto. Ciò provoca danni al pistone e al cilindro.

Per affilare la catena

Informazioni sulla barra di guida e la catena



AVVERTENZA: Indossare guanti protettivi quando si maneggia la catena o quando si esegue la manutenzione. Una catena che non si muove può causare anche lesioni.

Sostituire la barra di guida se usurata o danneggiata con le combinazioni di barra di guida e catena consigliate da Husqvarna. Questa operazione è necessaria per mantenere le funzioni di sicurezza del prodotto. Per un elenco delle combinazioni di barre e catene di ricambio consigliate, fare riferimento a *Accessori alla pagina 222*.

- Lunghezza barra di guida, cm. Le informazioni relative alla lunghezza della barra guida di solito si trovano sul lato posteriore della barra di guida. (Fig. 104)
- Numero di denti nel rocchetto puntale (T). (Fig. 105)
- Passo della catena. La distanza tra le maglie di trascinamento deve essere allineata con quella dei denti sul rocchetto puntale e sul pignone guida. (Fig. 106)
- Numero di maglie di trascinamento. Il numero di maglie di trascinamento viene scelto mediante il tipo di barra di guida. (Fig. 107)
- Larghezza scanalatura della lama, in mm. La larghezza della scanalatura nella barra di guida deve essere la stessa della larghezza delle maglie della catena di trasmissione. (Fig. 108)
- Foro di lubrificazione della catena e foro del perno tendicaten. La barra di guida deve essere allineata con il prodotto. (Fig. 109)
- Larghezza della maglia di trascinamento, mm. (Fig. 110)

Informazioni generali su come affilare le lame

Non utilizzare una catena usurata. Se la catena è usurata, è necessario applicare una maggiore pressione per spingere la barra di guida attraverso il legno. Se la catena è molto usurata, non ci sarà alcun truciolo di legno ma solo polvere di segatura.

Una catena affilata penetra nel legno e i trucioli sono lunghi e spessi.

Il dente di taglio (A) e l'oggetto di spoglia (B) insieme costituiscono la parte tagliente di una catena, il tagliente. La differenza di altezza tra i due rappresenta la profondità di taglio (oggetto di spoglia).(Fig. 111)

Per l'affilatura di una lama, tenere in considerazione i seguenti elementi:

- Angolo di affilatura.(Fig. 112)
- Angolo di taglio.(Fig. 113)
- Posizione della lima.(Fig. 114)
- Diametro della lima tonda.(Fig. 115)

È difficile affilare correttamente una catena senza gli strumenti adatti. Utilizzare la dima di affilatura Husqvarna. Aiuta a mantenere sempre le migliori prestazioni di taglio e il rischio di contraccolpo al minimo.



AVVERTENZA: La forza di contraccolpo aumenta molto se non vengono seguite le istruzioni di affilatura.

Nota: Per informazioni sull'affilatura della catena, fare riferimento a *Come affilare i taglienti alla pagina 218*.

Come affilare i taglienti

1. Utilizzare una lima tonda e una dima di affilatura per affilare i denti di taglio. (Fig. 116)

Nota: Fare riferimento a *Accessori alla pagina 222* per informazioni sulla dima di affilatura che Husqvarna consiglia per la catena in uso.

2. Applicare la dima di affilatura correttamente sul tagliente. Fare riferimento alle istruzioni fornite con la dima di affilatura.
3. Spostare la lima dal lato interno dei denti di taglio ed estrarla. Allentare la pressione sulla lima durante il taglio con catena a tirare. (Fig. 117)
4. Rimuovere il materiale di lato a tutti i denti di taglio.
5. Ruotare il prodotto e rimuovere il materiale di limatura sull'altro lato.
6. Accertarsi che tutti i denti di taglio siano della stessa lunghezza.

Informazioni generali su come regolare l'oggetto di spoglia

L'oggetto di spoglia (C) diminuisce affilando il dente di taglio (A). Al fine di mantenere sempre le migliori prestazioni di taglio è necessario rimuovere il materiale di limatura dall'oggetto di spoglia (B) per ottenere la regolazione consigliata. Per istruzioni su come ottenere l'oggetto di spoglia corretto per la catena, vedere *Accessori alla pagina 222*.

(Fig. 118)



AVVERTENZA: Un oggetto di spoglia troppo grande aumenta il rischio di contraccolpo della catena!

Regolazione dell'oggetto di spoglia

Prima di regolare l'oggetto di spoglia o affilare le lame, per le istruzioni, fare riferimento a *Come affilare i taglienti alla pagina 218*. Si raccomanda di regolare l'oggetto di taglio ogni tre affilature dei denti di taglio.

Si raccomanda l'utilizzo del nostro strumento di misurazione dell'oggetto di taglio che garantisce altezza e angolo corretti.

(Fig. 119)

1. Utilizzare una lima piatta e uno strumento di misurazione dell'oggetto di spoglia per questa impostazione. Si raccomanda l'utilizzo del nostro strumento di misurazione dell'oggetto di spoglia Husqvarna per avere profondità e angolo corretti.
2. Posizionare lo strumento di misurazione dell'oggetto di spoglia sopra la catena.

Nota: Per ulteriori informazioni sull'utilizzo, vedere la confezione dello strumento di misurazione dell'oggetto di spoglia.

3. Utilizzare la lima piatta per rimuovere la parte di oggetto di spoglia che va oltre lo strumento. (Fig. 120)

Serraggio della catena



AVVERTENZA: Una catena non correttamente tesa può staccarsi dalla barra guida e provocare lesioni gravi o letali.

La lunghezza della catena aumenta con l'uso. È importante registrare la catena regolarmente.

Eseguire un controllo della tensione della catena ogni volta che si rabocca l'olio della catena.

Nota: Se la catena è nuova, richiede un periodo di rodaggio durante il quale occorre controllare più spesso la tensione.

1. Piegare verso l'esterno la manopola finché non si apre. (Fig. 121)
2. Girare la manopola in senso antiorario per allentare il coperchio del pignone guida. (Fig. 122)
3. Girare il ruotino tendicatena per regolare la tensione della catena. La catena deve essere tesa sulla barra guida. (Fig. 123)

Nota: Girare la ruota verso il basso (+) per maggiore tensione o verso l'alto (-) per minore tensione. La catena è tesa correttamente quando si

può girare con facilità manualmente ma è tesa sulla barra guida.

4. Girare la manopola in senso orario per serrare la manopola della barra. (Fig. 124)
5. Piegare verso il basso la manopola per bloccare la tensione. (Fig. 125)

Controllo della lubrificazione della catena

Controllare la lubrificazione della catena a ogni terza sostituzione della batteria.

1. Avviare il prodotto e farlo girare a 3/4 del regime massimo. Mantenere la barra a circa 20 cm (8 pollici) al di sopra della superficie leggermente colorata.
2. Se la lubrificazione della catena è corretta, si vedrà una linea chiara di olio sulla superficie dopo 1 minuto. (Fig. 126)
3. Se la lubrificazione della catena non è corretta, effettuare le seguenti verifiche.
 - a) Eseguire un controllo del canale di lubrificazione della barra di guida per accertarsi che non sia ostruito. Pulire se necessario. (Fig. 127)
 - b) Eseguire un controllo della scanalatura sul bordo della barra di guida per assicurarsi che sia pulita. Pulire se necessario. (Fig. 128)
 - c) Controllare che il rocchetto puntale ruoti liberamente e che il relativo foro di lubrificazione non sia ostruito. Pulire e lubrificare se necessario. (Fig. 129)
4. Se la lubrificazione della catena non funziona dopo aver seguito la procedura descritta sopra, rivolgersi al centro di assistenza.

Manutenzione del pignone guida della catena

Il sistema di trasmissione è dotato di pignone guida. (Fig. 130)

Eseguire i seguenti interventi di manutenzione sul pignone guida della catena:

1. Effettuare regolarmente un'ispezione visiva per valutare il livello di usura del pignone guida. Sostituire il pignone guida della catena se c'è un'eccessiva usura.
2. Sostituirlo ogni volta che si cambia la catena.

Per controllare l'attrezzatura di taglio

1. Accertarsi che non vi siano crepe nei rivetti e collegamenti e che non vi sia alcun rivetto allentato. Sostituirli se necessario. (Fig. 131)
2. Assicurarsi che la catena sia facile da tendere. Sostituire la catena se è rigida.
3. Confrontare la catena in uso con una nuova per valutare se è presente l'usura di maglie e rivetti.
4. Sostituire la catena quando la parte più lunga del dente di taglio è inferiore a 4 mm. Sostituirla anche se ci sono delle spaccature sulle lame. (Fig. 132)

Controllo della barra guida

1. Assicurarsi che il condotto dell'olio non sia ostruito. Pulire se necessario. (Fig. 127)
2. Verificare l'eventuale presenza di irregolarità sui bordi della barra di guida. Eliminare le eventuali sbavature utilizzando una lima. (Fig. 133)
3. Pulire la scanalatura della barra di guida. (Fig. 128)
4. Verificare se la scanalatura della barra di guida presenta segni di usura. Sostituire la barra di guida se necessario. (Fig. 134)
5. Verificare se la punta della barra di guida è irregolare o molto usurata. (Fig. 135)
6. Controllare che il rocchetto puntale ruoti liberamente e che il relativo foro di lubrificazione non sia ostruito. Pulire e lubrificare se necessario. (Fig. 129)
7. Ruotare la barra di guida quotidianamente per prolungarne la durata. (Fig. 136)

Ricerca guasti

Ricerca dei guasti

Tabella

Possibili codici di errore sulla tastiera del prodotto.

Display a LED	Possibili guasti	Possibile soluzione
La spia lampeggia.	Il freno della catena è inserito.	Tirare indietro la protezione anticontraccolpo per rilasciare il freno della catena.
	Deviazione di temperatura.	Attendere che il prodotto si raffreddi.
	Sovraccarico. Gruppo di taglio bloccato.	Il gruppo di taglio è bloccato. Rilasciare il gruppo di taglio.
	La leva di comando e il pulsante di accensione vengono premuti contemporaneamente.	Rilasciare la leva comando per attivare il prodotto.
Il LED verde attivo lampeggia.	La tensione della batteria è bassa.	Caricare la batteria.
La spia è accesa.	Assistenza.	Contattare il centro di assistenza.

Tabella

Risoluzione dei problemi della batteria e/o del caricabatterie durante la ricarica.

Display a LED	Possibili guasti	Possibile soluzione
La spia lampeggia.	La batteria è scarica.	Caricare la batteria.
	Deviazione di temperatura.	Utilizzare la batteria in ambienti con temperature comprese tra -10 °C (14°F) e 40°C (104°F).
	Sovratensione.	Controllare che la tensione di rete corrisponda a quella indicata sull'etichetta del prodotto. Rimuovere la batteria dal caricabatterie.
La spia è accesa.	Differenza troppo elevata nella cella (1 V).	Contattare il centro di assistenza.

Tabella

Display a LED	Possibili guasti	Possibile soluzione
La spia lampeggia.	Deviazione di temperatura.	Utilizzare la batteria in ambienti con temperature comprese tra 5°C (41°F) e 40°C (104°F).
La spia è accesa.		Contattare il centro di assistenza.

Trasporto, stoccaggio e smaltimento

Trasporto e rimessaggio

- Le batterie agli ioni di litio in dotazione rispettano i requisiti di legge sulle merci pericolose.
- Rispettare i requisiti speciali riportati sulla confezione e sulle etichette per il trasporto commerciale, compreso quello effettuato da terzi e da corrieri.
- Parlare con personale che ha seguito una formazione specifica in materiali pericolosi prima di inviare il prodotto. Rispettare tutte le norme nazionali vigenti.
- Quando si inserisce la batteria in un contenitore, applicare del nastro adesivo sui contatti aperti. Inserire la batteria nel contenitore in modo da garantirne la massima aderenza.
- Rimuovere la batteria per la conservazione o il trasporto.
- Conservare la batteria e il caricabatterie in un luogo asciutto, privo di umidità e protetto dal gelo.
- Non conservare la batteria in aree elettricamente statiche. Non conservare mai la batteria in una scatola di metallo.
- Durante il rimessaggio, conservare la batteria in un luogo dove la temperatura è compresa tra 5 °C/41 °F e 25 °C/77 °F e lontano da luce solare.
- Durante il rimessaggio, conservare il caricabatterie in un luogo dove la temperatura è compresa tra 5 °C/41 °F e 45 °C/113 °F e lontano da luce solare.
- Utilizzare il caricabatterie soltanto quando la temperatura circostante è compresa tra 5 °C/41 °F e 40 °C/104 °F.
- Caricare la batteria dal 30% al 50% prima di immagazzinarla per lunghi periodi.

- Conservare il caricabatterie in un luogo chiuso e asciutto.
- Tenere la batteria lontano dal caricabatterie durante il rimessaggio. Non lasciare che i bambini e altre persone non autorizzate tocchino l'attrezzatura. Mantenere le attrezzature in un luogo che è possibile chiudere.
- Pulire il prodotto ed eseguire una manutenzione completa prima di conservarlo per lunghi periodi.
- Utilizzare la protezione di trasporto sul prodotto per evitare che si danneggi durante il trasporto e il rimessaggio.
- Bloccare il prodotto in modo sicuro durante il trasporto.

Smaltimento della batteria, del caricabatterie e del prodotto

Il simbolo seguente indica che il prodotto non è un rifiuto domestico. Riciclarlo in una stazione di riciclaggio per apparecchiature elettriche ed elettroniche. Ciò contribuisce ad evitare danni all'ambiente e alle persone.

Per maggiori informazioni contattare le autorità locali, il servizio per rifiuti domestici o il rivenditore.

(Fig. 21)

Nota: Il simbolo compare sul prodotto o sull'imballaggio.

Dati tecnici

Dati tecnici

	120i
Piattaforma	CS100EU
Motore	
Tipo	BLDC (senza spazzole) 36V
Caratteristiche	
Modalità risparmio energetico	save
Sistema di lubrificazione	
Tipo di pompa dell'olio	Automatica
Capacità del serbatoio olio, litri	0,20

	120i
Peso	
Motosega senza batteria, barra guida, catena, serbatoio dell'olio della catena a secco, kg	2,95
Emissioni di rumore ²⁵	
Livello potenza acustica, misurato dB(A)	98
Livello di potenza acustica, garantito L _{WA} dB(A)	101
Livelli di rumorosità ²⁶	
Livello di pressione acustica equivalente all'orecchio dell'operatore, dB(A)	88
Livelli di vibrazioni ²⁷	
	3,8
Catena/barra guida	
Lunghezze barre raccomandate, pollici/cm	12/30
Lunghezza di taglio effettiva, pollici/cm	10/26
Tipo di pignone guida/numero di denti	Fisso/6
Velocità massima della catena/(savE), m/secondo	11,5 (10)

Accessori

Combinazioni barra guida e catena

I seguenti gruppi di taglio sono approvati per Husqvarna 120i.

Barra guida				Catena	
Lunghezza, pollici	Passo della catena, pollici	Larghezza della scanalatura, mm	Raggio max. puntale	Tipo	Lunghezza, maglie di trascinamento (num.)
12	3/8	1,1	7T	Husqvarna H38	45

Attrezzatura di affilatura e angoli di affilatura

La dima di affilatura Husqvarna garantisce angoli di affilatura corretti. Si raccomanda di usare sempre la



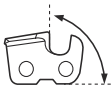


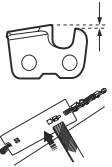
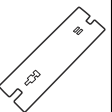

dima di affilatura Husqvarna per affilare la catena quando necessario. I numeri di parte sono indicati nella tabella riportata di seguito.

Se non si conosce qual è la catena sul proprio prodotto, rivolgersi al centro di assistenza.

²⁵ Emissioni di rumore nell'ambiente misurate come potenza sonora (L_{WA}) in base alla direttiva CE 2000/14/CE.

²⁶ Il livello di pressione acustica equivalente, ai sensi della norma ISO 22868, è calcolato come la quantità di energia, in media ponderata rispetto al tempo, dei livelli di pressione acustica a diverse condizioni di esercizio. La dispersione statistica tipica del livello di pressione acustica equivalente è una deviazione standard di 2,5 dB (A).

²⁷ Il livello di vibrazioni dichiarato è per l'impugnatura con le cifre più alte. La dispersione statistica tipica del livello di vibrazioni è di 1,5 m/s.

							
38	11/64 pollici/4,5 mm	75°	30°	0°	0,025 pollici/ 0,65 mm	5056981-03	5795588-01

Batterie approvate

Per questo prodotto, utilizzare esclusivamente batterie originali Husqvarna BLi

Batterie approvate per il prodotto

Batteria	BLi20		BLi22	
Tipo	Ioni di litio		Ioni di litio	
Capacità batteria, Ah	4.2 (VTC4)	4 (HD2)	4.2 (VTC4)	4.0 (EVE 20P)
Tensione, V	36	36,5	36	36
Peso, lb/kg	2,6/1,2	2,6/1,2	2,6/1,2	2,6/1,2

Caricabatterie approvati per il prodotto

Caricabatterie	QC80
Tensione di rete, V	100-240
Frequenza, Hz	50-60
Potenza, W	100

Caricabatterie	QC80
Tensione di uscita, V c.c. / amp, A	36/2

Dichiarazione di conformità CE

Dichiarazione di conformità CE

Husqvarna AB, SE-561 82 Huskvarna, Sweden, tel: +46-36-146500 dichiara sotto la sua esclusiva responsabilità che la motosega a batteria cordless **Husqvarna 120i (Piattaforma CS100EU)** dai numeri di serie del 2016 e successivi (l'anno è chiaramente indicato sulla targhetta nominale, seguito dal numero di serie), soddisfa i requisiti delle DIRETTIVE DEL CONSIGLIO:

- del 17 maggio 2006 "sulle macchine" **2006/42/CE**.
- del 26 febbraio 2014 "sulla compatibilità elettromagnetica" **2014/30/EU**.
- dell'8 giugno 2011 sulla "restrizione dell'uso di determinate sostanze pericolose" **2011/65/UE**
- dell'8 maggio 2000 "sull'emissione di rumore nell'ambiente" **2000/14/CE**.

Sono state applicate le seguenti norme: **EN**

60745-1:2009+A11:2010, EN

60745-2-13:2009+A1:2010, EN

55014-1:2006+A1:2009+A2:2011, EN 61000-4-2:2009,

EN 61000-4-3:2006+A1:2008, EN IEC63000:2018.

Organo competente: TÜV Rheinland LGA Products GmbH, Tillystrasse 2, D-90431 Nuernberg, Germany, 0197 ha eseguito il controllo di omologazione CE in base alla Direttiva Macchine (2006/42/CE) articolo 12, punto 3b.

Il certificato porta il numero: **BM 50356394 0001**

La motosega fornita è conforme al campione sottoposto a controllo CE.

Per informazioni sulle emissioni acustiche, vedere la sezione *Dati tecnici alla pagina 221*.

Huskvarna, 20181031



Pär Martinsson, Responsabile sviluppo (rappresentante autorizzato per Husqvarna AB e responsabile della documentazione tecnica).

Contenido

Introducción.....	226	Resolución de problemas.....	244
Seguridad.....	227	Transporte, almacenamiento y eliminación.....	245
Montaje.....	234	Datos técnicos.....	245
Funcionamiento.....	234	Accesorios.....	246
Mantenimiento.....	239	Declaración de conformidad CE.....	249

Introducción

Descripción del producto

Este producto es un modelo de motosierra que funciona con un motor eléctrico.

Trabajamos constantemente para mejorar la seguridad y la eficiencia durante el uso del producto. Póngase en contacto con su distribuidor para obtener más información.

Descripción del producto

(Fig. 1)

1. Protección contra reculadas
2. Teclado
3. Botón SavE
4. Indicador de advertencia
5. Interruptor de arranque/parada
6. Bloqueo del gatillo de alimentación
7. Empuñadura trasera con protección para la mano derecha
8. Carcasa de ventilador
9. Depósito de aceite de cadena
10. Cargador de baterías
11. Cable eléctrico
12. Indicador de advertencia
13. Conector
14. Manual de usuario
15. Funda de la espada
16. Cubierta del piñón de arrastre
17. Rueda de tensado de la cadena
18. Mando
19. Captor de cadena
20. Apoyo de corteza
21. Cabezal de rueda
22. Cadena de sierra
23. Espada
24. Mango delantero
25. Gatillo de alimentación
26. Batería
27. Botones para extraer la batería
28. Estado de la batería
29. Botón, estado de la batería
30. Indicador de advertencia

Uso previsto

Este producto está diseñado para serrar madera.

Nota: El uso de este producto podría estar regulado por la legislación nacional.

Símbolos que aparecen en el producto

- (Fig. 2) Riesgo de lesiones graves o mortales tanto para el operador como para cualquier otra persona. Tenga cuidado y utilice el producto correctamente.
- (Fig. 3) Lea detenidamente el manual de instrucciones y familiarícese con las instrucciones antes de usar el producto.
- (Fig. 4) Use un casco protector, protección ocular y protectores auriculares homologados.
- (Fig. 5) El producto cumple con las directivas CE vigentes
- (Fig. 6) Emisiones sonoras al medio ambiente conformes con la directiva europea 2000/14/CE y con la regulación de 2017 sobre de protección del medio ambiente (control de ruidos) (Protection of the Environment Operations - Noise Control) de la legislación de Nueva Gales del Sur. Los datos sobre las emisiones sonoras se pueden encontrar en la etiqueta de la máquina y en el capítulo Datos técnicos.
- (Fig. 7) El operario debe usar las dos manos para utilizar la motosierra.
- (Fig. 8) Nunca utilice la motosierra sosteniéndola solo con una sola mano.
- (Fig. 9) No permita que la punta de la espada entre en contacto con ningún objeto.
-

- (Fig. 10) Advertencia: La reculada puede producirse cuando la punta de la espada entra en contacto con un objeto. Esto hace que la espada salga despedida en la dirección del operador. Riesgo de lesiones graves o mortales.
- (Fig. 11) Sentido de rotación de la cadena de sierra y longitud máxima de la espada.
- (Fig. 12) Freno de cadena, activado (derecha). Freno de cadena, desactivado (izquierda).
- (Fig. 13) Rellenado de aceite para cadena.
- (Fig. 14) Corriente continua.
- (Fig. 15) No exponer a la lluvia.
- (Fig. 16) **Marca medioambiental.** El producto o su embalaje no son residuos domésticos. Recíclelo en un centro de reciclaje para equipos eléctricos y electrónicos.
- (Fig. 20) La placa de características muestra el número de serie. **aaaa** es el año de fabricación, **ss** es la semana de producción.

Nota: Los demás símbolos/etiquetas que aparecen en el producto corresponden a requisitos de homologación específicos en algunos mercados.

Símbolos que aparecen en la batería o en el cargador de la batería

- (Fig. 21) Recicle el producto en un centro de reciclaje para equipos eléctricos y electrónicos. (Aplicable solo para Europa)
- (Fig. 17) Transformador a prueba de fallos.
- (Fig. 18) Utilice y guarde el cargador de baterías únicamente en interiores.
- (Fig. 19) Doble aislamiento.

Seguridad

Definiciones de seguridad

Las definiciones siguientes indican el nivel de gravedad para cada palabra de señalización de riesgo.



ADVERTENCIA: Lesiones a personas.



PRECAUCIÓN: Daños en el producto.

Nota: Esta información hace que el producto sea más fácil de usar.

Advertencias generales de seguridad relacionadas con la herramienta eléctrica



ADVERTENCIA: Lea todas las advertencias e instrucciones de seguridad. El incumplimiento de las advertencias e instrucciones de seguridad puede ocasionar

descargas eléctricas, incendios o lesiones graves.

Nota: Conserve todas las advertencias e instrucciones para su consulta. El término «herramienta eléctrica» empleado en las advertencias hace referencia a una herramienta eléctrica que funciona con conexión a la red de suministro (con cable) o a una herramienta que funciona con batería (sin cable).

Seguridad en el área de trabajo

- **Mantenga el área de trabajo limpia y bien iluminada.** Las zonas abarrotadas de cosas u oscuras favorecen los accidentes.
- **No maneje herramientas eléctricas en ambientes explosivos como aquellos en los que hay líquidos, gases o polvo inflamables.** Las herramientas eléctricas producen chispas que pueden inflamar el polvo o los vapores.
- **Mantenga alejados a los niños y a otras personas mientras trabaje con una herramienta eléctrica.** Las distracciones pueden hacer que pierda el control de esta.

Seguridad eléctrica

- **Los enchufes de las herramientas eléctricas deben corresponder a la toma de corriente utilizada. Nunca modifique el enchufe. No utilice adaptadores para las herramientas eléctricas con conexión a tierra.** Use enchufes sin modificar y tomas de corriente del mismo tipo que estos, evitando así el uso de adaptadores, para reducir el riesgo de descarga eléctrica.
- **Evite el contacto de su cuerpo con superficies puestas a tierra como tuberías, radiadores, cocinas y neveras.** Si su cuerpo está en contacto con el suelo, existe un mayor riesgo de descarga eléctrica.
- **No exponga las herramientas eléctricas a la lluvia o a ambientes húmedos.** El riesgo de recibir descargas eléctricas aumentará si penetra agua en la herramienta eléctrica.
- **Maneje el cable con cuidado. No lo utilice nunca para transportar, tirar o desenchufar la herramienta eléctrica. Manténgalo alejado de fuentes de calor, aceite, aristas vivas o piezas móviles.** Los cables dañados o enredados incrementan el riesgo de descarga eléctrica.
- **Cuando trabaje con una herramienta eléctrica en exteriores, utilice un alargador indicado para este uso.** Utilizar un cable adecuado para su uso en exteriores reduce el riesgo de descarga eléctrica.
- **Si es necesario utilizar una herramienta eléctrica en un lugar húmedo, utilice suministro eléctrico protegido con un interruptor diferencial.** La utilización de un interruptor diferencial reduce el riesgo de descargas eléctricas.

Seguridad personal

- **Esté siempre atento, fíjese en lo que está haciendo y utilice el sentido común cuando maneje una herramienta eléctrica. No utilice herramientas eléctricas si está cansado o bajo los efectos de estupefacientes, alcohol o medicamentos.** Un momento de descuido, mientras se trabaja con herramientas eléctricas, puede causar lesiones graves.
- **Utilice el equipo de protección individual. Protéjase siempre los ojos.** El equipo de protección, como la mascarilla antipolvo, los zapatos de seguridad antideslizantes, el casco o los protectores auditivos, utilizados en función de las condiciones de trabajo, reducirá el riesgo de lesiones.
- **Evite el encendido accidental de la herramienta. Asegúrese de que el interruptor está en la posición de apagado antes de conectar la máquina a la fuente de alimentación y/o la batería, cogerla o transportarla.** Transportar herramientas eléctricas con el dedo puesto sobre el interruptor o encenderlas con el interruptor en la posición de encendido puede provocar accidentes.
- **Quite todas las clavijas de ajuste o llaves de tuercas antes de encender la herramienta eléctrica.** Una llave de tuercas o clavija de ajuste que se ha dejado

colocada en una pieza giratoria de la herramienta eléctrica puede causar lesiones.

- **No se estire demasiado. Mantenga una posición correcta y el equilibrio en todo momento.** Esto le permitirá controlar mejor la herramienta eléctrica en situaciones imprevistas.
- **Utilice la ropa adecuada. No utilice nunca ropa amplia ni joyas. Mantenga el pelo, la ropa y los guantes alejados de las piezas móviles.** La ropa amplia, las joyas o el pelo largo pueden quedar atrapados en las piezas móviles.
- **Si se suministran equipos de aspiración o captación de polvo, asegúrese de que estén conectados y se utilicen correctamente.** El uso de estos equipos puede reducir los riesgos derivados del polvo.
- La emisión de vibración durante el uso de la herramienta eléctrica puede ser diferente del valor indicado en función del uso de la misma. El usuario debe conocer las medidas de seguridad necesarias que se basan en una estimación de la exposición en condiciones de uso reales (teniendo en cuenta todas las partes del ciclo de funcionamiento, como el periodo en que la herramienta está apagada y el funcionamiento en ralentí además del gatillo).

Uso y cuidado de la herramienta eléctrica

- **No sobrecargue la herramienta eléctrica. Utilice la herramienta eléctrica adecuada para el trabajo que debe realizar.** Con la herramienta eléctrica apropiada hará el trabajo mejor y con mayor seguridad a la potencia para la que fue diseñada.
- **No utilice la herramienta eléctrica si el interruptor no funciona.** Las herramientas que no se puedan controlar con el interruptor son peligrosas y deben repararse.
- **Desconecte el enchufe de la fuente de alimentación y/o la batería de la herramienta eléctrica antes de realizar cualquier ajuste, cambiar accesorios o guardarla.** Estas medidas de seguridad preventivas reducen el riesgo de encendido accidental de la herramienta eléctrica.
- **Guarde las herramientas eléctricas que no se utilicen fuera del alcance de los niños y no permita que personas no familiarizadas con su uso o con estas instrucciones las manejen.** Las herramientas eléctricas resultan peligrosas en manos de usuarios no cualificados.
- **Cuide las herramientas. Compruebe que no haya partes móviles mal alineadas o trabadas, piezas rotas o cualquier otra circunstancia que pueda afectar al funcionamiento de la herramienta eléctrica. Si detecta daños, haga reparar la herramienta eléctrica antes de utilizarla.** Muchos accidentes se deben al uso de herramientas eléctricas que carecen de un mantenimiento adecuado.
- **Mantenga las herramientas de corte afiladas y limpias.** Las herramientas de corte con aristas afiladas y un mantenimiento adecuado tienen menos

probabilidades de trabarse y son más fáciles de controlar.

- **Utilice la herramienta eléctrica, los accesorios, útiles, etc. según se indica en estas instrucciones, teniendo en cuenta las condiciones de trabajo y la tarea que debe realizar.** El uso de la herramienta eléctrica para trabajos distintos a aquellos para los que fue diseñada podría dar lugar a situaciones peligrosas.

Uso y cuidado de la herramienta con batería

- **Efectúe las recargas únicamente con el cargador especificado por el fabricante.** Un cargador apto para un tipo de batería puede comportar riesgo de incendio al utilizarse con otra batería distinta.
- **Utilice las herramientas eléctricas únicamente con las baterías específicas para ellas.** El uso de otra batería puede comportar riesgo de lesiones e incendio.
- **Cuando no utilice la batería, manténgala alejada de objetos metálicos que puedan conectar un terminal a otro, como clips, monedas, llaves, clavos, tornillos u otros objetos metálicos pequeños.** Un cortocircuito en los terminales de la batería puede causar quemaduras o un incendio.
- **En condiciones extremas, el líquido puede salir expulsado de la batería; evite cualquier contacto. Si se produjera un contacto accidentalmente, enjuáguese con agua. Además, si el líquido entra en contacto con los ojos, busque asistencia médica.** El líquido expulsado de la batería puede causar irritaciones o quemaduras.

Servicio técnico

- **Solicite que su herramienta eléctrica sea reparada por personal cualificado y utilizando únicamente piezas de repuesto originales.** Esto garantizará la seguridad de la herramienta.

Advertencias de seguridad sobre la motosierra

- **Mantenga todas las partes del cuerpo alejadas de la cadena de sierra mientras la motosierra se encuentre en funcionamiento.** Antes de arrancar la motosierra, asegúrese de que la cadena de sierra no está en contacto con ningún elemento. Un único instante de distracción mientras maneja una motosierra basta para que la cadena de sierra cause un accidente con sus prendas o cuerpo.
- **Sujete siempre la motosierra con la mano derecha en el mango trasero y la mano izquierda en el mango delantero, agarrando los mangos con todos los dedos.** Nunca debe manejarse la motosierra con una posición invertida de las manos, ya que aumenta considerablemente el riesgo de daños personales.
- **Sujete la herramienta eléctrica únicamente mediante la superficie de agarre aislada, ya que la cadena de sierra puede entrar en contacto con algún cable oculto o con el suyo propio.** Si la cadena de sierra entra en contacto con un cable con tensión, puede hacer que las partes metálicas de la herramienta eléctrica queden expuestas a tensión y pueden producir al usuario una sacudida eléctrica.
- **Lleve gafas de seguridad y protectores auriculares. Se recomienda utilizar equipos de protección adicionales para la cabeza, manos, piernas y pies.** Una ropa de protección adecuada reducirá los daños personales a causa de fragmentos desprendidos o de un contacto accidental con la cadena de sierra.
- **No utilice una motosierra en un árbol.** Utilizar una motosierra mientras que está subido en un árbol, comporta riesgo de daños personales.
- **Mantenga en todo momento una posición correcta y manipule la motosierra únicamente cuando se encuentre en una superficie nivelada, sólida y segura.** Una superficie inestable o resbaladiza, como una escalera, puede hacerle perder el equilibrio o el control de la motosierra.
- **Preste especial atención a las reculadas al cortar ramas tensas.** Cuando la tensión de las fibras de madera se libera, la rama puede golpear al usuario y / o provocar la pérdida del control de la motosierra.
- **Sea especialmente cauto al cortar broza y árboles jóvenes.** Los materiales delgados pueden atascarse en la cadena de sierra y golpearle o hacerle perder el equilibrio.
- **Transporte la motosierra apagada, agarrándola por el mango delantero y alejada de su cuerpo. Cuando transporte o almacene la motosierra, coloque siempre la cubierta de la espada.** Manipular la motosierra de manera adecuada reducirá la posibilidad de sufrir un contacto accidental con la cadena de sierra en funcionamiento.
- **Siga las instrucciones correspondientes para la lubricación, el tensado de la cadena y el cambio de accesorios.** Una cadena con una tensión o lubricación inadecuadas puede romperse y aumentar el riesgo de reculadas.
- **Mantenga los mangos secos, limpios y sin aceite ni grasa.** Un mango grasiento resulta resbaladizo y puede provocar que se pierda el control de la herramienta.
- **Corte únicamente madera. No utilice la motosierra con otros fines. Por ejemplo: no utilice la motosierra para cortar plásticos, materiales de albañilería u otros distintos a la madera.** El uso de la motosierra con fines distintos a aquellos para los que fue diseñada podría dar lugar a situaciones peligrosas.
- Recomendamos encarecidamente que aquellos que utilicen por primera vez la motosierra practiquen antes con troncos en soportes para serrar.

Causas y prevención de las reculadas

Las reculadas pueden producirse cuando la punta de la espada roza un objeto o cuando la madera se cierra y atasca la cadena durante el corte. El contacto con la punta de la espada, en algunos casos, puede provocar una reculada repentina que golpee al usuario al lanzar la espada hacia arriba y atrás. Un atasco en la cadena

de sierra en la parte superior de la espada puede empujar a esta rápidamente hacia atrás, hacia el usuario. Cualquiera de estas reacciones puede hacerle perder el control de la sierra, lo que a su vez puede provocar daños personales de gravedad. Su seguridad no solo depende de los dispositivos de seguridad incorporados en la motosierra. Como usuario de una motosierra, debe tomar ciertas precauciones para realizar cortes sin riesgo de accidentes ni lesiones. Una reculada es consecuencia de un uso inapropiado y / o incorrecto de la herramienta, en cuanto a sus procedimientos o condiciones de funcionamiento. Por lo tanto, puede evitarse tomando las siguientes precauciones:

- **Mantenga un agarre firme de la motosierra con ambas manos, con los pulgares y el resto de dedos rodeando los mangos. El cuerpo y el brazo deben encontrarse en una postura que le permita resistir las fuerzas de las reculadas.** El usuario puede controlar las fuerzas de las reculadas si toma las precauciones correspondientes. No suelte la motosierra.
- **No intente acceder a lugares demasiado altos y no corte a una altura superior a la de sus hombros.** De esta manera, se evita el contacto involuntario de la punta y se obtiene un control mayor de la motosierra en caso de imprevistos.
- **Utilice únicamente las espadas y cadenas de repuesto indicadas por el fabricante.** Una sustitución incorrecta de la espada y cadena puede causar la rotura de la cadena y / o reculadas.
- **Siga las instrucciones de afilado y mantenimiento de la cadena de sierra facilitadas por el fabricante.** Disminuir el calibre de profundidad puede aumentar las reculadas.

GUARDE ESTAS INSTRUCCIONES.

Instrucciones generales de seguridad



ADVERTENCIA: Lea las siguientes instrucciones de advertencia antes de utilizar el producto.

- Este producto es una herramienta peligrosa si no se usa con cuidado o si se utiliza de forma incorrecta. Este producto puede ocasionar lesiones graves o mortales tanto al operador como a cualquier otra persona. Es muy importante que lea y comprenda el contenido de este manual de instrucciones.
- No realice modificaciones en el producto sin la aprobación previa del fabricante. No utilice un producto modificado por otras personas y emplee siempre accesorios originales. Las modificaciones que no hayan recibido la aprobación del fabricante pueden provocar lesiones graves o la muerte al operador o a cualquier otra persona.
- La inhalación prolongada de los gases emitidos por el aceite para cadena y serrín puede causar problemas de salud.

- Este producto genera un campo electromagnético durante el funcionamiento. Este campo magnético puede, en determinadas circunstancias, interferir con implantes médicos activos o pasivos. Para reducir el riesgo de lesiones graves o mortales, recomendamos que las personas que utilizan implantes médicos consulten a su médico y al fabricante del implante antes de poner en marcha este producto.

Instrucciones de seguridad para el funcionamiento



ADVERTENCIA: Lea las siguientes instrucciones de advertencia antes de utilizar el producto.

- La información de este manual de usuario no reemplaza en ningún caso la experiencia y los conocimientos de un profesional. Si no se siente seguro en la situación en la que se encuentra, detenga el producto. Consulte a su distribuidor o a un profesional en el uso de motosierras. Evite los trabajos para los que no se sienta suficientemente cualificado.
- Consulte a su distribuidor o a Husqvarna si tiene alguna pregunta acerca del funcionamiento del producto. Podemos ofrecerle información para utilizar el producto de manera eficaz y segura. Participe en un curso de formación sobre el uso de motosierras si tiene la oportunidad. El distribuidor local, una escuela de silvicultura o una biblioteca pueden informarle acerca del material de formación y los cursos disponibles.
- Debe conocer los efectos de la reculada y las maneras de evitar este efecto antes de utilizar este producto. Consulte *Información sobre reculada en la página 236* y *Preguntas frecuentes acerca de las reculadas en la página 235* para obtener instrucciones.
- No utilice un producto, una batería o un cargador de baterías defectuosos.
- No toque la cadena de sierra cuando esté girando. Puede provocar lesiones graves o mortales.
- No utilice el producto si está cansado, si ha ingerido alcohol o drogas, o si toma medicamentos o cualquier otra sustancia que puedan afectarle la vista, su capacidad de discernimiento o el control del cuerpo.
- Trabajar con mal tiempo es fatigoso y a menudo añade riesgos innecesarios. Debido al riesgo añadido, no se recomienda utilizar la máquina con muy mal tiempo, por ejemplo, con niebla densa, lluvia intensa, vientos fuertes, frío extremo o riesgo de tormenta eléctrica.
- No ponga en marcha el producto sin haber montado antes la espada, la cadena de sierra y todas las cubiertas correctamente. De lo contrario, el piñón de arrastre puede aflojarse y causar lesiones graves.

Consulte *Montaje en la página 234* para obtener instrucciones.(Fig. 22)

- Observe el entorno. Asegúrese de que nadie ni ningún animal puedan interferir en la zona ni afectar al control del producto.(Fig. 23)
- No permita que los niños usen ni se aproximen al producto. La máquina es muy fácil de arrancar y los niños podrían hacerlo si no se les vigila lo suficiente. Esto supone un riesgo de lesiones graves.
- Retire la batería cuando no tenga el producto bajo su control o si va a alejarse del producto durante mucho tiempo.
- Debe contar con un equilibrio óptimo para poder controlar por completo el producto. No utilice el producto si se ha subido a una escalera o a un árbol. No utilice el producto si no se encuentra sobre una superficie estable.(Fig. 24)
- Si no tiene cuidado, el riesgo de reculada aumenta. La reculada puede producirse si el sector de riesgo de reculada de la espada entra en contacto por accidente con una rama, un árbol u otro objeto.(Fig. 25)
- No sujete el producto con una sola mano. Este producto no se controla con seguridad con una mano.
- No utilice el producto por encima de los hombros y no intente cortar con la punta de la espada. (Fig. 26)
- No utilice el producto si las circunstancias no le permiten solicitar ayuda en caso de accidente.
- Detenga el producto y accione el freno de cadena antes de moverlo. Sujete el producto con la espada y la cadena de sierra mirando hacia atrás. Cubra la espada con un protector para transporte antes de transportar el producto o moverlo a otro lugar.
- Cuando ponga el producto en el suelo, accione el freno de cadena y no lo pierda de vista. Pare el producto y quite la batería si va a alejarse de él durante mucho tiempo.
- Existe el riesgo de que se atasquen astillas de madera en el sistema de transmisión. Esto puede causar que la cadena se atasque. Pare siempre el producto y quite la batería antes de limpiarlo.
- Compruebe que pueda caminar con seguridad. Examine las condiciones y el terreno para detectar cualquier obstáculo como, por ejemplo, raíces, piedras, ramas, zanjas, etc. Tenga cuidado cuando trabaje en una ladera.
- El nivel de vibración aumenta si utiliza un equipo de corte incorrecto o que esté mal afilado. El nivel de vibración es mayor al cortar maderas duras, como es el caso de los árboles planifolios, en comparación con el corte de maderas blandas, como es el caso de las coníferas. (Fig. 27)
- La sobreexposición a las vibraciones puede provocar problemas circulatorios y dolencias de carácter nervioso, especialmente en personas con patologías circulatorias. Acuda a un médico si nota síntomas que puedan relacionarse con la sobreexposición a las vibraciones. Son ejemplos de

tales síntomas la pérdida de sensibilidad, el 'cosquilleo', las 'punzadas', el dolor, la pérdida o reducción de la fuerza normal o los cambios en el color y la superficie de la piel. Estos síntomas suelen aparecer en los dedos, en las manos y en las muñecas, y se acentúan cuando las temperaturas son bajas.

- Si cree que una situación no se ajusta a su capacidad, evítela.
- No es posible mencionar todas las situaciones que se puede encontrar al usar este producto. Proceda siempre con cuidado y utilice siempre el sentido común.(Fig. 28)

Equipo de protección personal



ADVERTENCIA: Lea las siguientes instrucciones de advertencia antes de utilizar el producto.

(Fig. 29)

- La mayoría de los accidentes con motosierra se producen cuando la cadena de sierra toca al operador. Utilice un equipo de protección personal homologado durante el uso del producto. El equipo de protección personal no elimina completamente el riesgo de lesiones, pero reduce la gravedad de las lesiones en caso de accidente. Consulte a su taller de servicio para que le informe sobre el equipo que puede utilizar.
- La ropa debe ser ceñida pero debe permitirle total libertad de movimiento. Compruebe periódicamente el estado del equipo de protección personal.
- Utilice un casco protector homologado.
- Utilice protección auditiva homologada. La exposición prolongada al ruido puede causar daños crónicos en el oído.
- Utilice siempre gafas protectoras o visera para reducir el riesgo de lesiones causadas por objetos que salgan despedidos. El producto puede lanzar con gran fuerza objetos como virutas, trozos de madera pequeños, etc. Ello comporta riesgo de daños personales graves, especialmente en los ojos.
- Utilice guantes con protección anticorte.
- Utilice pantalones con protección anticorte.
- Utilice botas con protección anticorte, puntera de acero y suela antideslizante.
- Tenga siempre a mano el equipo de primeros auxilios.
- Riesgo de chispas. Tenga a mano herramientas para extinguir incendios y una pala para evitar incendios forestales.

Dispositivos de seguridad en el producto



ADVERTENCIA: Lea las siguientes instrucciones de advertencia antes de utilizar el producto.

- No utilice un producto que tenga dispositivos de seguridad defectuosos.
- Realice una comprobación de los dispositivos de seguridad con frecuencia. Consulte la sección *Mantenimiento y comprobaciones de los dispositivos de seguridad del producto en la página 240*.
- Si los dispositivos de seguridad están defectuosos, hable con su taller de servicio Husqvarna.

Teclado

El indicador de advertencia parpadea si el freno de cadena está activado o hay riesgo de sobrecarga. La protección contra sobrecarga detiene temporalmente el producto; no podrá seguir trabajando con él hasta que la temperatura se restablezca. Si el indicador muestra una luz fija, acuda a su distribuidor. (Fig. 30)

Función de parada automática

El producto cuenta con una función de parada automática que detiene el producto si no lo usa durante un minuto.

Freno de cadena con protección contra reculadas

El producto cuenta con un freno de cadena que detiene la cadena en caso de reculada. El freno de cadena reduce el riesgo de accidentes, pero solo es usted quien puede impedirlos.(Fig. 31)



ADVERTENCIA: No ponga en marcha el producto si hay riesgo de reculada. Tenga cuidado cuando utilice el producto y asegúrese de que el sector de riesgo de reculada de la espada no entre en contacto con ningún objeto.

(Fig. 32)

El freno de cadena (A) se activa manualmente con la mano izquierda o automáticamente por efecto de la inercia. Mueva la protección contra reculadas (B) hacia delante para acoplar el freno de cadena manualmente. Este movimiento activa un mecanismo de muelle que detiene el piñón de arrastre.(Fig. 33)

La forma en la que se activa el freno de cadena tiene relación con la fuerza de la reculada y la posición del producto. Si la reculada es fuerte y el sector de riesgo de reculada está alejado del operador, el freno de cadena se activa por inercia. Si la reculada no es muy fuerte o el sector de riesgo de reculada está próximo al operador, el freno de cadena se activa manualmente con la mano izquierda.(Fig. 34)

Utilice el freno de cadena como freno de estacionamiento cuando arranque el producto y cuando se mueva en distancias cortas. Esto reduce el riesgo de que usted o cualquier otra persona que se encuentre cerca toquen la cadena de sierra.(Fig. 35)

Mueva la protección contra reculadas hacia atrás para desacoplar el freno de cadena.(Fig. 36)

Las reculadas pueden ser rapidísimas y muy violentas. La mayoría de las reculadas son pequeñas y, por tanto, no siempre activan el freno de cadena. Si se produjera una reculada al usar el producto, sujete bien los mangos y no los suelte. (Fig. 37)

La protección contra reculadas también disminuye el riesgo de contacto con la cadena de sierra si se suelta el mango delantero.(Fig. 38)

En posición de tala, no se puede activar el freno de cadena manualmente. En esta posición, el freno de cadena solo se activa por inercia.(Fig. 39)

Bloqueo del gatillo de alimentación

El bloqueo del gatillo de alimentación evita el uso accidental de dicho gatillo. Si coloca la mano en el mango y presiona el bloqueo del gatillo de alimentación (A), se desbloqueará el gatillo de alimentación (B). Al soltar el mango, el gatillo de alimentación y el bloqueo vuelven a sus posiciones iniciales.(Fig. 40)

Captor de cadena

El captor de cadena sujeta la cadena de sierra si se rompe o se suelta. El riesgo disminuye si la cadena está bien tensada. El riesgo también disminuye si el mantenimiento de la espada y la cadena de sierra es adecuado. Consulte *Tensado de la cadena de sierra en la página 243* y *Mantenimiento en la página 239* para obtener instrucciones.(Fig. 41)

Protección de la mano derecha

La protección de la mano derecha protege la mano si la cadena de sierra se rompe o se suelta. También evita el contacto con ramas al usar el producto.(Fig. 42)

Seguridad de la batería



ADVERTENCIA: Lea las siguientes instrucciones de advertencia antes de utilizar el producto.

- Utilice únicamente las baterías BLi recomendadas para el producto. Las baterías están encriptadas mediante software.
- Utilice las baterías recargables BLi como fuente de alimentación solo para los productos Husqvarna relacionados. Para evitar lesiones, no utilice la batería como fuente de alimentación de otros dispositivos.
- Riesgo de descarga eléctrica. No conecte los terminales de la batería a llaves, tornillos u otros objetos metálicos. Esto puede provocar un cortocircuito en la batería.
- No utilice baterías que no sean recargables.
- No coloque objetos en las ranuras de ventilación de la batería.
- Mantenga la batería lejos de la luz directa del sol, de fuentes de calor o de llamas abiertas. La batería

puede provocar quemaduras o quemaduras químicas.

- Mantenga la batería resguardada de la lluvia y la humedad.
- Mantenga la batería lejos de microondas y fuentes de alta presión.
- No intente desmontar o romper la batería.
- No permita que el ácido de la batería entre en contacto con la piel. El ácido de la batería provoca lesiones en la piel, corrosión y quemaduras. Si el ácido de la batería entra en contacto con los ojos, no los frote: enjuáguelos con abundante agua durante al menos 15 minutos. Si el ácido de la batería ha entrado en contacto con la piel, lávela con agua abundante y jabón. Busque asistencia médica.
- Utilice la batería con temperaturas entre -10 °C (14 °F) y 40 °C (104 °F).
- No limpie la batería o el cargador con agua. Consulte *Comprobación de la batería y del compartimento de la batería en la página 241*.
- No utilice una batería defectuosa o dañada.
- Guarde la batería alejada de objetos metálicos, como clavos, tornillos o joyas.
- Mantenga la batería alejada de los niños.

Seguridad del cargador de la batería



ADVERTENCIA: Lea las siguientes instrucciones de advertencia antes de utilizar el producto.

- Existe riesgo de descarga eléctrica o cortocircuito si no se siguen las instrucciones de seguridad.
- Utilice una toma de corriente homologada con toma de tierra que no esté dañada.
- No utilice cargadores de batería diferentes al suministrado con su producto. Utilice únicamente cargadores Husqvarna QC cuando cargue las baterías Husqvarna BLi de repuesto.
- No intente desmontar el cargador de batería.
- No utilice un cargador de batería defectuoso o dañado.
- No levante el cargador de la batería tirando del cable de alimentación. Para desconectar el cargador de batería de la toma de corriente, tire del enchufe. No tire del cable de alimentación.
- Mantenga todos los cables y cables de extensión, alejados del agua, el aceite y los bordes afilados. Proceda con cuidado para evitar que el cable se enganche en puertas, vallas o similares.
- No utilice el cargador de batería cerca de materiales inflamables o corrosivos. Asegúrese de que el cargador de batería no está cubierto. Desenchufe el cargador de batería en caso de humareda o incendio.
- Solo cargue la batería en interiores si se trata de un lugar con buena ventilación y lejos de la luz solar

directa. No cargue la batería en el exterior. No cargue la batería en un entorno húmedo.

- Utilice solamente el cargador de batería a temperaturas entre 5 °C (41 °F) y 40 °C (104 °F). Utilice el cargador en un entorno ventilado, seco y sin polvo.
- No cubra las ranuras de ventilación del cargador.
- No conecte nunca los bornes del cargador de batería a objetos metálicos: pueden cortocircuitar el cargador.
- Utilice tomas de corriente homologadas y que estén en buen estado.

Instrucciones de seguridad para el mantenimiento



ADVERTENCIA: Lea las instrucciones de advertencia siguientes antes de realizar el mantenimiento del producto.

- Retire la batería antes de realizar tareas de mantenimiento, otras comprobaciones o montar el producto.
- El usuario debe realizar solo el mantenimiento y las reparaciones indicadas en este manual. Acuda a su taller de servicio autorizado para las tareas de mantenimiento y reparaciones más importantes.
- No limpie la batería o el cargador con agua. Los detergentes agresivos pueden provocar daños en el plástico.
- Si no se realiza el mantenimiento, el ciclo de vida del producto disminuye y aumenta el riesgo de accidentes.
- Para realizar todos los trabajos de mantenimiento y reparación, especialmente en los dispositivos de seguridad en el producto, es necesaria una formación especial. Si no están aprobadas todas las comprobaciones de este manual de usuario después de realizar tareas de mantenimiento, acuda al taller de su distribuidor local. Le garantizamos que realizarán reparaciones y mantenimiento profesionales en su producto.
- Utilice únicamente piezas de repuesto originales.

Instrucciones de seguridad para el equipo de corte



ADVERTENCIA: Lea las siguientes instrucciones de advertencia antes de utilizar el producto.

- Utilice solo las combinaciones de espada y cadena de sierra, así como el equipo de afilado recomendados. Consulte *Accesorios en la página 246* para ver las instrucciones.
- Use guantes protectores cuando manipule la cadena de sierra o realice tareas de mantenimiento en ella.

La cadena de sierra puede causar lesiones, aunque no se mueva.

- Mantenga los dientes de corte bien afilados. Siga las instrucciones y utilice el calibrador de afilado recomendado. Una cadena de sierra dañada o mal afilada aumenta el riesgo de accidentes.(Fig. 43)
- Mantenga el calibre de profundidad adecuado. Siga las instrucciones y utilice el calibre de profundidad recomendado. Un calibre de profundidad demasiado grande aumenta el riesgo de reculada.(Fig. 44)
- Asegúrese de que la cadena de sierra tiene la tensión correcta. Si la cadena de sierra no está bien

tensada en la espada, puede soltarse. Si la tensión de la cadena de sierra es incorrecta, el desgaste de la espada, la cadena de sierra y el piñón de arrastre de la cadena es mayor. Consulte la sección *Tensado de la cadena de sierra en la página 243*. (Fig. 45)

- Realice periódicamente el mantenimiento del equipo de corte y manténgalo bien lubricado. Si la cadena de sierra no está bien lubricada, el riesgo de desgaste de la espada, la cadena de sierra y el piñón de arrastre de la cadena es mayor.(Fig. 46)

Montaje

Introducción



ADVERTENCIA: Asegúrese de leer y comprender el capítulo sobre seguridad antes de montar el producto.

Montaje de la espada y la cadena



ADVERTENCIA: No olvide extraer la batería antes de montar el producto o realizar tareas de mantenimiento en él.

1. Desactive el freno de cadena. (Fig. 47)
2. Afloje el mando y retire la cubierta del piñón de arrastre (freno de cadena) y la protección de transporte (A). (Fig. 48)
3. Ponga la espada sobre el tornillo de espada. Dirija la espada a su posición más posterior. Levante la cadena sobre el piñón de arrastre y acóplela en la ranura de la espada. Empiece con la parte superior de la espada. (Fig. 49)

4. Asegúrese de que los bordes de los eslabones de corte están orientados hacia delante en la parte superior de la espada.
5. Monte la cubierta del piñón de arrastre y ponga el pasador de ajuste de la cadena en el orificio de la espada.
6. Asegúrese de que los eslabones de arrastre de la cadena de sierra encajan correctamente en el piñón de arrastre.
7. Asegúrese de que la cadena de sierra está correctamente acoplada en la ranura de la espada.
8. Apriete la cadena de sierra. Consulte *Tensado de la cadena de sierra en la página 243* para obtener instrucciones.

Uso de un apoyo de corteza

Para montar un apoyo de corteza, consulte con su distribuidor.

Funcionamiento

Introducción



ADVERTENCIA: Asegúrese de leer y comprender el capítulo sobre seguridad antes de usar el producto.

Prueba de funcionamiento antes de utilizar el producto

1. Realice una comprobación del freno de cadena (A) para asegurarse de que funciona correctamente y no está dañado.
2. Realice una comprobación de la protección trasera para la mano derecha (B) para asegurarse de que no está dañada.
3. Realice una comprobación del gatillo de alimentación y su bloqueo (C) para asegurarse de que funcionan correctamente y no están dañados.
4. Revise el teclado (D) para asegurarse de que funciona correctamente.
5. Asegúrese de que no haya aceite en las asas (E).
6. Realice una comprobación para asegurarse de que todas las piezas estén correctamente conectadas y en perfectas condiciones, y que no falte ninguna.
7. Realice una comprobación del captor de cadena (F) para asegurarse de que está montado correctamente.
8. Realice una comprobación de la tensión de la cadena (G).
9. Cargue la batería (H) y asegúrese de que está correctamente montada en el producto.

10. Asegúrese de que la cadena de sierra se detiene al soltar el gatillo de alimentación. (Fig. 50)

Aceite para cadena de motosierra

Todas las motosierras de Husqvarna tienen lubricación automática de la cadena. Algunos modelos pueden obtenerse también con flujo de aceite regulable.

Al seleccionar un aceite para cadena, tenga en cuenta lo siguiente:

(Fig. 51)

- El depósito de aceite dura aproximadamente tres cargas de batería. Esto solo es posible si se usa el aceite para cadena adecuado. Si el aceite para cadena está muy diluido, no durará lo previsto.
- El aceite para cadena debe mostrar una buena adherencia a la cadena de sierra y también conservar su fluidez tanto a alta como a baja temperatura.
- Utilice un aceite de grado adecuado (con la viscosidad correcta) de acuerdo con la temperatura ambiente. Con temperaturas inferiores a 0 °C (32 °F), algunos aceites se espesan. Esto puede causar sobrecargas en la bomba de aceite, con averías subsiguientes de las piezas de la bomba.
- Utilice el equipo de corte recomendado. Una espada demasiado larga usará más aceite para cadena.
- Consulte a su distribuidor al seleccionar un aceite para cadena.



ADVERTENCIA: No utilice aceite residual. El aceite residual es nocivo para el usuario y el medio ambiente. El aceite residual también causa daños a la bomba de aceite, la espada y la cadena de sierra.



ADVERTENCIA: Si la lubricación del equipo de corte no es adecuada, la cadena de sierra puede romperse. Esto puede ocasionar lesiones graves o mortales al operador.



PRECAUCIÓN: Si utiliza aceite para cadena vegetal, limpie la ranura de la espada y la cadena de sierra antes de guardar el producto durante un periodo prolongado. De lo contrario, la cadena de sierra puede oxidarse, lo que da lugar a que esta se ponga rígida y a que el cabezal de rueda de la espada se bloquee.

Preguntas frecuentes acerca de las reculadas

- **¿Podré activar siempre con la mano el freno de cadena en caso de reculada?**

No. Es necesario ejercer algo de fuerza para mover la protección contra reculadas hacia delante. Si no ejerce la fuerza necesaria, el freno de cadena no se activará. Además, debe sujetar firmemente los mangos del producto con ambas manos mientras trabaja. En caso de reculada, es posible que el freno de cadena no detenga la cadena de sierra antes de entrar en contacto con usted. Además, hay algunas posiciones en las que no puede tocar la protección contra reculadas con la mano para activar el freno de cadena.

- **¿Se activará siempre el freno de cadena por inercia en caso de reculada?**

No. En primer lugar, el freno de cadena debe funcionar correctamente. Consulte *Mantenimiento en la página 239* para obtener instrucciones sobre cómo comprobar el freno de cadena. Le recomendamos que lleve esto a cabo cada vez que vaya a utilizar el producto. En segundo lugar, la reculada debe tener la fuerza suficiente para activar el freno de cadena. Si el freno de cadena fuera demasiado sensible, podría activarse al trabajar en condiciones difíciles.

- **¿Me protegerá siempre el freno de cadena contra daños si se produce una reculada?**

No. El freno de cadena debe funcionar correctamente para ofrecer protección. El freno de cadena debe activarse también al producirse una reculada para detener la cadena de sierra. Si se encuentra cerca de la espada, es posible que el freno de cadena no tenga tiempo suficiente para detener la cadena de sierra antes de entrar en contacto con usted.



ADVERTENCIA: Solo usted y una técnica de trabajo correcta podrán evitar las reculadas.

Para conectar el cargador de baterías

1. Conecte el cargador a la tensión y la frecuencia que se indican en la placa de características.
2. Conecte el enchufe a una toma de corriente con toma a tierra.

Nota: La batería no se cargará si su temperatura es superior a 50 °C/122 °F. En ese caso, el cargador enfría la batería.

Carga de la batería

Nota: Cargue la batería si es la primera vez que la utiliza. Una batería nueva solo tiene una carga del 30 %.

1. Conecte la batería al cargador. (Fig. 52)
2. Asegúrese de que se enciende la luz de carga verde en el cargador. Eso significa que la batería está conectada correctamente al cargador. (Fig. 53)

3. Cuando todos los LED de la batería se hayan encendido, la batería estará totalmente cargada. (Fig. 54)
4. Para desconectar el cargador de batería de la toma de corriente, tire del enchufe. No tire del cable.
5. Desconecte la batería del cargador.

Nota: Consulte los manuales de la batería y del cargador para obtener más información.

Arranque del producto.

1. Realice una comprobación del gatillo de alimentación y del bloqueo de dicho gatillo. Consulte *Comprobación del bloqueo del gatillo de alimentación en la página 241*.
2. Mueva la protección contra reculadas hacia delante para acoplar el freno de cadena. (Fig. 38)
3. Coloque la batería en el soporte. (Fig. 55)
4. Presione la parte inferior de la batería hasta que oiga un clic.



PRECAUCIÓN: Si no puede insertar la batería en el soporte con facilidad, no se habrá acoplado correctamente.

(Fig. 56)

5. Mantenga pulsado el botón de arranque/parada hasta que la luz LED verde se encienda. (Fig. 57)

Para usar la función SavE

Este producto cuenta con una función de ahorro de energía: SavE. La función SavE reduce la velocidad de la cadena y prolonga al máximo la autonomía de la batería.

Nota: La función SavE no reduce la capacidad de corte del producto.

1. Pulse el botón SavE del teclado.
2. Asegúrese de que el LED verde se enciende.
3. Pulse de nuevo el botón SavE para desactivar la función. El LED verde se apagará. (Fig. 58)

Para detener el producto

1. Mantenga pulsado el botón de arranque/parada del teclado hasta que la luz LED verde se apague. (Fig. 57)
2. Extraiga la batería y pulse los botones de desbloqueo de la batería para extraer la batería del soporte. (Fig. 59)



ADVERTENCIA: Retire la batería cuando no esté usando el producto o no

pueda estar atento a él. Esto ayudará a evitar un arranque accidental.

Información sobre reculada



ADVERTENCIA: La reculada puede ocasionar lesiones graves o mortales tanto al operador como a cualquier otra persona. Para reducir el riesgo, debe conocer las causas de la reculada y cómo evitarlas.

La reculada se produce cuando la zona de riesgo de reculada de la espada toca un objeto. Una reculada puede producirse de forma repentina y violenta; esta situación lanza el producto contra el operador. (Fig. 60)

La reculada sigue siempre el sentido del plano de la espada. Por lo general, el producto sale despedido contra el operador, pero también puede moverse en cualquier otra dirección. La dirección dependerá de la manera en la que esté usando el producto cuando se produzca la reculada. (Fig. 61)

La reculada solo puede producirse cuando la zona de riesgo de reculada de la espada toca un objeto. No permita que el sector de riesgo de reculada entre en contacto con ningún objeto. (Fig. 60)

Cuanto menor es el radio de la punta de la espada, menor es la violencia de la reculada.

Para reducir los efectos de la reculada, utilice una cadena de sierra de reculada reducida. No permita que el sector de riesgo de reculada entre en contacto con ningún objeto.



ADVERTENCIA: No existe ninguna cadena de sierra que evite por completo la reculada. Cumpla siempre las instrucciones.

Uso de la técnica de corte



ADVERTENCIA: Al cortar, acelere al máximo; una vez que finalice el corte, reduzca la velocidad hasta llegar a ralentí.



PRECAUCIÓN: No deje el motor funcionando durante demasiado tiempo sin carga. Esto puede provocar daños en el motor.

1. Ponga el tronco en un soporte o guía para serrar. (Fig. 62)



ADVERTENCIA: No corte troncos amontonados. Esto aumenta el riesgo de reculada y puede provocar lesiones graves o mortales.

2. Aparte los trozos cortados de la zona de trabajo.



ADVERTENCIA: Mantener los trozos cortados en la zona de trabajo aumenta el riesgo de reculada y puede dificultar el equilibrio.

Corte de un tronco en el suelo

1. Corte el tronco con la cadena tirante. Haga funcionar el producto a máxima velocidad pero prepárese para cualquier evento repentino. (Fig. 63)



ADVERTENCIA: Compruebe que la cadena de sierra no entra en contacto con el suelo al completar el corte.

2. Corte aproximadamente $\frac{2}{3}$ del tronco y deténgase. Gire el tronco para cortar desde el otro lado. (Fig. 64)

Corte de un tronco apoyado en uno de los extremos



ADVERTENCIA: Compruebe que el tronco no se rompa durante el corte. Respete las siguientes instrucciones.

(Fig. 65)

1. Corte con la cadena impelente aproximadamente $\frac{1}{2}$ del tronco.
2. Utilice la técnica de cadena tirante para cortar el tronco hasta que los dos cortes entren en contacto. (Fig. 66)

Corte de un tronco apoyado en ambos extremos



ADVERTENCIA: Asegúrese de que la cadena de sierra no se quede atrapada en el tronco durante el corte. Respete las siguientes instrucciones.

(Fig. 67)

1. Corte con la cadena tirante aproximadamente $\frac{1}{2}$ del tronco.
2. Utilice la técnica de cadena impelente para cortar el resto del tronco hasta completar el corte. (Fig. 68)



ADVERTENCIA: Detenga el motor si la cadena de sierra se atasca en el tronco. Para soltar el producto, utilice una palanca. No intente sacar el producto con la mano. La caída repentina del producto puede provocar lesiones.

Uso de la técnica de desramado

Nota: Para cortar ramas gruesas, use esta técnica de corte. Consulte la sección *Uso de la técnica de corte en la página 236*.



ADVERTENCIA: Hay un gran riesgo de accidentes al usar la técnica de desramado. Consulte *Información sobre reculada en la página 236* para obtener instrucciones sobre cómo evitar la reculada.



ADVERTENCIA: Corte las ramas una a una. Tenga cuidado al retirar las ramas pequeñas y no corte arbustos ni varias ramas pequeñas a la vez. Las ramas pequeñas pueden quedarse atrapadas en la cadena de sierra e impedir el funcionamiento seguro del producto.

Nota: Corte las ramas una a una si es necesario. (Fig. 69)

1. Retire las ramas del lado derecho del tronco.
 - a) Mantenga la espada a la derecha del tronco y el cuerpo del producto contra el tronco.
 - b) Seleccione la técnica de corte adecuada según la tensión de la rama. (Fig. 70)



ADVERTENCIA: Si tiene dudas sobre cómo cortar la rama, hable con un operario profesional de motosierras antes de continuar.

2. Retire las ramas de la parte superior del tronco.
 - a) Mantenga el producto en el tronco y deje que la espada se mueva a lo largo del mismo.
 - b) Corte con la cadena impelente. (Fig. 71)
3. Retire las ramas del lado izquierdo del tronco.
 - a) Seleccione la técnica de corte adecuada según la tensión de la rama. (Fig. 72)



ADVERTENCIA: Si tiene dudas sobre cómo cortar la rama, hable con un operario profesional de motosierras antes de continuar.

Consulte *Corte de árboles y ramas tensos en la página 239* para ver las instrucciones sobre cómo cortar ramas sometidas a tensión.

Uso de la técnica de tala



ADVERTENCIA: Debe tener experiencia para talar un árbol. Si es posible, haga un curso de formación sobre

el funcionamiento de la motosierra. Hablar con un operario experimentado para adquirir más conocimientos.

Mantenimiento de una distancia de seguridad

1. Asegúrese de que las personas que se encuentren cerca guarden una distancia mínima equivalente a 2 veces y media la longitud del árbol. (Fig. 73)
2. Asegúrese de que no haya nadie en esta zona de riesgo antes de la tala o durante la misma. (Fig. 74)

Cálculo de la dirección de derribo

1. Determine hacia qué dirección debe caer el árbol. El objetivo es que caiga en un lugar donde pueda desramarlo y cortar el tronco con facilidad. También es importante que cuente con un buen equilibrio y pueda moverse de forma segura.



ADVERTENCIA: Si es peligroso o imposible talar un árbol en su dirección natural, hágalo en una dirección diferente.

2. Examine la dirección de caída natural del árbol. Observe aspectos tales como la inclinación y la curvatura del árbol, la dirección del viento, la ubicación de las ramas y el peso de la nieve.
3. Examine si hay obstáculos, por ejemplo, otros árboles, tendidos eléctricos, carreteras y/o edificios alrededor.
4. Examine el tronco para verificar si está dañado o podrido.



ADVERTENCIA: Si el tronco está podrido, el árbol podría caer antes de finalizar el corte.

5. Asegúrese de que el árbol no esté dañado ni tenga ramas muertas que puedan romperse y golpearle al derribarlo.
6. Evite que el árbol caiga sobre la copa de otro árbol. Es peligroso retirar un árbol atascado y hay un elevado riesgo de accidente. Consulte la sección *Liberación de un árbol atascado en la página 239*. (Fig. 75)



ADVERTENCIA: En momentos críticos de la tala, levántese los protectores auriculares nada más terminar el corte. Debe estar atento a cualquier sonido o señal de advertencia.

Limpieza del tronco y preparación del camino de retirada

Corte todas las ramas desde la altura de sus hombros hacia abajo.

1. Corte con la cadena tirante de arriba abajo. Compruebe que el árbol se encuentre entre usted y el producto. (Fig. 76)
2. Elimine la vegetación de la zona de trabajo alrededor del árbol. Retire todos los materiales cortados de la zona de trabajo.
3. Revise la zona para comprobar si hay obstáculos como piedras, ramas y agujeros. Debe disponer de un camino de retirada despejado para abandonar la zona cuando el árbol empiece a caer. El camino de retirada debe estar a unos 135 grados de la dirección de derribo.

1. Zona de peligro
2. Camino de retirada
3. Dirección de derribo

(Fig. 77)

Para talar un árbol

Husqvarna recomienda hacer cortes de dirección y seguir el método de esquina segura al talar un árbol. El método de esquina segura le ayuda a conseguir una faja de desgaje correcta y a controlar la dirección de derribo.



ADVERTENCIA: No tale árboles con un diámetro más de dos veces superior a la longitud de la espada. Para ello, debe contar con una formación especial.

Realización de cortes de indicación

1. Realice los cortes de indicación. Realice los cortes de indicación con una longitud igual a 1/4 del diámetro del árbol. Debe existir un ángulo de 45° entre los cortes superior e inferior.
 - a) Realice primero el corte superior. Alinee la marca de dirección de derribo (A) del producto con la dirección de derribo del árbol (B). Sitúese detrás del producto y colóquese de tal forma que el árbol esté a su derecha. Efectúe un corte con cadena tirante.
 - b) Realice el corte inferior. Asegúrese de que el extremo del corte inferior se encuentre en el mismo punto que el extremo del corte superior. (Fig. 78)
2. Asegúrese de que la línea de corte de indicación sea completamente horizontal y forme un ángulo recto (90°) con respecto a la dirección de derribo. La línea de corte de indicación pasa por el punto en el que se tocan los dos cortes de indicación. (Fig. 79)

Realización del corte de derribo

Nota: El corte de derribo se realiza en el lado opuesto del árbol donde se han realizado los cortes de indicación.

1. Realice el corte de derribo a unos 3-5 cm (1,5-2 pulg) por encima del corte de indicación inferior. El corte debe ser completamente horizontal. (Fig. 80)
2. Si dispone de un apoyo de corteza, sitúelo detrás de la faja de desgaje.
3. Efectúe un corte con cadena tirante, acelere al máximo y avance la cadena de sierra/espada lentamente por el árbol. Asegúrese de que el árbol no caiga en una dirección no deseada.
4. Utilice una cuña o una barra desgajadora en el corte cuando el corte tenga una profundidad exacta. (Fig. 81)
5. Complete el corte de derribo en paralelo a la línea de corte de indicación. Asegúrese de que la distancia entre ellos sea como mínimo de 1/10 del diámetro del tronco. La parte del tronco que no se corta es la faja de desgaje. La faja de desgaje controla la dirección de derribo. (Fig. 82)



ADVERTENCIA: No podrá controlar la dirección de derribo si la faja de desgaje desaparece o es demasiado delgada. Esto también sucederá si no ha realizado correctamente los cortes de indicación y de derribo.

(Fig. 83)

6. Llegados a este punto, el árbol caerá por sí solo o con la ayuda de una cuña o una barra desgajadora. (Fig. 84)

Nota: Utilice una espada cuya longitud sea superior al diámetro del árbol. De esta forma, podrá realizar los cortes de derribo e indicación de una vez. Consulte *Accesorios en la página 246* para obtener información sobre las longitudes de espada recomendadas para el producto.

(Fig. 85)

Liberación de un árbol atascado



ADVERTENCIA: Es muy peligroso retirar un árbol atascado y hay un elevado riesgo de accidente. Aléjese de la zona de

riesgo y no intente derribar un árbol atascado.

(Fig. 86)

Lo más seguro es usar uno de los cabrestantes siguientes:

- Montado en un tractor (Fig. 87)
- Portátil (Fig. 88)

Corte de árboles y ramas tensos

1. Determine el punto del árbol o la rama que se encuentra tenso.
2. Determine el punto donde la tensión es más elevada. (Fig. 89)
3. Determine cuál es el procedimiento más seguro para aliviar la tensión.

Nota: En algunas situaciones, lo más seguro es usar un cabrestante en lugar del producto.

4. Sitúese en un lugar donde el árbol o la rama no puedan golpearle cuando la tensión disminuya. (Fig. 90)
5. Haga uno o varios cortes con una profundidad suficiente para aliviar la tensión. Efectúe un corte en el punto de tensión máxima o cerca del mismo. Asegúrese de que el árbol o la rama se rompan en el punto de tensión máxima. (Fig. 91)



ADVERTENCIA: No corte del todo un árbol o rama en tensión.



ADVERTENCIA: Tenga mucho cuidado al cortar un árbol en tensión. El árbol podría moverse bruscamente antes o después de cortarlo. Si no se encuentra en un lugar adecuado o si realiza el corte de manera incorrecta, puede sufrir lesiones graves.

6. Si necesita cortar a través del árbol o rama, efectúe de 2 a 3 cortes de 2,5 cm (1 pulg) de separación y una profundidad de 5 cm (2 pulg). (Fig. 92)
7. Siga cortando el árbol hasta que la rama o el árbol se doblen y la tensión disminuya. (Fig. 93)
8. Corte el árbol o la rama en el lado opuesto de la curvatura una vez que se haya reducido la tensión.

Mantenimiento

Introducción

antes de realizar tareas de mantenimiento en el producto.



ADVERTENCIA: Asegúrese de leer y comprender el capítulo sobre seguridad

Programa de mantenimiento



ADVERTENCIA: Extraiga la batería antes de realizar tareas de mantenimiento.

A continuación incluimos una lista con los pasos de mantenimiento que hay que efectuar en el producto. Consulte *Mantenimiento en la página 239* para obtener más información.

Mantenimiento	Antes del uso	Semanal	Mensual
Inspeccione los componentes externos del producto.	X		
Por seguridad, asegúrese de que el gatillo de alimentación y el bloqueo de dicho gatillo funcionan correctamente.	X		
Limpie el freno de cadena y compruebe que funcione de manera segura. Asegúrese de que el captor de cadena no esté dañado. Efectúe su sustitución si es necesario	X		
Gire la espada para que se desgaste de manera uniforme. Asegúrese de que el orificio de lubricación de la espada no esté obstruido. Limpie la guía de la cadena.	X		
Asegúrese de que la cortadora y la protección de la cortadora no presenten grietas y no estén dañadas. Cambie la cortadora o la protección de la cortadora si presentan grietas o si han sufrido golpes.	X		
Asegúrese de que la espada y la cadena de sierra tienen suficiente aceite.	X		
Realice una comprobación de la cadena de sierra. Compruebe si hay grietas y asegúrese de que la cadena de sierra no esté rígida ni presente un desgaste anómalo. Sustitúyala si es necesario.	X		
Afile la cadena de sierra. Compruebe la tensión y su estado. Realice una comprobación del desgaste del piñón de arrastre y cámbielo si es necesario.	X		
Limpie la toma de aire del producto.	X		
Asegúrese de que los tornillos y las tuercas están bien apretados.	X		
Asegúrese de que el teclado funcione correctamente y no esté dañado.	X		
Lime las rebabas en los bordes de la espada.		X	
Realice una comprobación de las conexiones entre la batería y el producto. Realice una comprobación de la conexión entre la batería y el cargador de baterías.			X
Vacíe y limpie el depósito de aceite.			X
Aplique cuidadosamente aire comprimido en el producto y las ranuras de refrigeración de la batería.			X

Mantenimiento y comprobaciones de los dispositivos de seguridad del producto

Comprobación de la protección contra reculadas

Compruebe con frecuencia la protección contra reculadas y la activación por inercia del freno.

1. Compruebe que la protección contra reculadas esté intacta y sin defectos visibles como, por ejemplo, grietas. (Fig. 94)
2. Asegúrese de que la protección contra reculadas se mueve con facilidad y que está fijada de forma segura al producto. (Fig. 95)
3. Coloque el producto, con el motor apagado, en un tocón o en cualquier otra superficie estable.
4. Sujete el mango trasero y suelte el mango delantero. Deje que el producto caiga contra el tocón. (Fig. 96)

5. Asegúrese de que el freno de cadena se activa cuando la espada golpea el tocón.

Comprobación del efecto de frenado

1. Ponga el producto en una superficie estable y arránquelo. Consulte *Introducción en la página 234*.



ADVERTENCIA: Asegúrese de que la cadena de sierra no entre en contacto con el suelo u otros objetos.

2. Sujete bien los mangos con todos los dedos para sostener el producto firmemente. (Fig. 37)
3. Acelere al máximo e incline la muñeca izquierda hacia la protección contra reculadas para activar el freno de cadena. La cadena de sierra debe detenerse inmediatamente. (Fig. 97)



ADVERTENCIA: No suelte el mango delantero.

Comprobación del bloqueo del gatillo de alimentación

1. Compruebe que el gatillo de alimentación y el bloqueo de dicho gatillo se mueven sin problemas y que el muelle de retorno funciona correctamente. (Fig. 98)
2. Presione el bloqueo del gatillo de alimentación y asegúrese de que vuelve a su posición inicial al soltarlo. (Fig. 99)
3. Asegúrese de que el gatillo de alimentación se bloquea en la posición de ralentí cuando el bloqueo se suelta. (Fig. 100)
4. Ponga en marcha el producto y acelere al máximo.
5. Suelte el gatillo de alimentación y compruebe que la cadena de sierra se para y permanece inmóvil. Si la cadena de sierra gira cuando el acelerador está en posición de ralentí, póngase en contacto con su distribuidor.

Comprobación del captor de cadena

1. Asegúrese de que no haya daños en el captor de cadena.
2. Asegúrese de que el captor de cadena se encuentre estable y montado en el cuerpo del producto. (Fig. 41)

Comprobación del teclado

1. Arranque el producto. Consulte el apartado *Funcionamiento en la página 234*
2. Vuelva a pulsar el botón de arranque/parada.
3. Asegúrese de que el producto se detiene cuando mantenga pulsado el botón. El LED verde se apagará. (Fig. 57)

Comprobación de la batería y del compartimento de la batería

1. Limpie la batería y el compartimento de la batería con un cepillo de cerdas suaves. (Fig. 101)
2. Asegúrese de limpiar las ranuras de ventilación y los conectores de la batería.
3. Asegúrese de que la batería no está dañada y que no presenta otros defectos, como grietas. (Fig. 102)

Comprobación del cargador de baterías

1. Asegúrese de que el cargador de baterías y el cable de alimentación no estén dañados. Compruebe si hay grietas u otros defectos.

Para limpiar el sistema de refrigeración

El producto dispone de un sistema de refrigeración para mantener su temperatura lo más baja posible.

El sistema de refrigeración incluye una toma de aire en el lado izquierdo del producto y un ventilador en el motor.

1. Limpie el sistema de refrigeración con un cepillo una vez a la semana o con más frecuencia si es necesario. (Fig. 103)
2. Asegúrese de que el sistema de refrigeración no esté dañado ni obstruido.



PRECAUCIÓN: Un sistema de refrigeración sucio u obstruido puede dar lugar a que el producto se caliente demasiado. Esto provoca daños en el pistón y en el cilindro.

Para afilar la cadena de sierra

Información sobre la espada y la cadena de sierra



ADVERTENCIA: Use guantes protectores cuando manipule la cadena de sierra o realice tareas de mantenimiento en ella. La cadena de sierra puede causar lesiones, aunque no se mueva.

Si la espada o la cadena de sierra se desgastan o presentan algún tipo de desperfecto, cámbielas por una combinación de espada y cadena de sierra recomendada por Husqvarna. Esto es necesario para conservar los niveles de seguridad del producto. Consulte *Accesorios en la página 246* para ver una lista de combinaciones recomendadas de espada y cadena de repuesto.

- Longitud de la espada, pulg/cm. La información sobre la longitud de la espada suele encontrarse en la parte posterior de la espada. (Fig. 104)

- Número de dientes en el cabezal de rueda (T).(Fig. 105)
- Paso de cadena, pulg. La distancia entre los eslabones de arrastre de la cadena de sierra debe corresponderse con la distancia de los dientes del cabezal de rueda de la espada y del piñón de arrastre.(Fig. 106)
- Número de eslabones de arrastre (unidades). El número de eslabones de arrastre se determina según el tipo de espada.(Fig. 107)
- Ancho de la guía de la espada, pulg/mm. El ancho de la guía de la espada debe ser idéntico al ancho de los eslabones de arrastre de la cadena.(Fig. 108)
- Orificio para aceite de cadena y orificio para pasador tensor de cadena. La espada debe corresponderse con el producto.(Fig. 109)
- Ancho del eslabón de arrastre, mm/pulg.(Fig. 110)

Información general sobre cómo afilar los eslabones de corte

No corte con una cadena de sierra roma. Si la cadena de sierra no está afilada, tendrá que ejercer una presión superior para que la espada avance por la madera. Si la cadena de sierra está muy roma, en lugar de virutas se generará polvo de serrín.

Una cadena de sierra afilada avanza por la madera con facilidad y genera virutas largas y gruesas.

El diente de corte (A) y el calibre de profundidad (B) constituyen el componente de corte de la cadena de sierra: la cortadora. La diferencia de altura entre los dos indica la profundidad de corte (ajuste de calibre de profundidad).(Fig. 111)

Cuando afile un eslabón de corte, piense en lo siguiente:

- Ángulo de afilado.(Fig. 112)
- Ángulo de corte.(Fig. 113)
- Posición de la lima.(Fig. 114)
- Diámetro de la lima redonda.(Fig. 115)

No es nada fácil afilar correctamente una cadena de sierra sin el equipo adecuado. Utilice el calibrador de afilado Husqvarna. De esta forma, conseguirá maximizar el rendimiento de corte y minimizar el riesgo de reculada.



ADVERTENCIA: La violencia de la reculada aumenta considerablemente si no respeta las instrucciones relativas al afilado.

Nota: Consulte *Afilado de los eslabones de corte en la página 242* para obtener información sobre el afilado de la cadena de sierra.

Afilado de los eslabones de corte

1. Utilice una lima redonda y un calibrador de afilado para afilar los dientes de corte. (Fig. 116)

Nota: Consulte *Accesorios en la página 246* para obtener información sobre la lima y el calibrador que Husqvarna recomienda para su cadena de sierra.

2. Coloque correctamente el calibrador de afilado en el eslabón de corte. Consulte las instrucciones facilitadas con el calibrador de afilado.
3. Mueva la lima desde el interior de los dientes de corte hacia fuera. Reduzca la presión con la cadena tirante. (Fig. 117)
4. Afile un lado de todos los dientes de corte.
5. Dé la vuelta al producto y afile el otro lado.
6. Asegúrese de que todos los dientes de corte tengan la misma longitud.

Información general acerca de cómo regular el ajuste de calibre de profundidad

El ajuste de calibre de profundidad (C) disminuye al afilar los dientes de corte (A). Para conservar un rendimiento de corte máximo, debe afilar el calibre de profundidad (B) para obtener el ajuste de calibre de profundidad recomendado. Consulte *Accesorios en la página 246* para obtener instrucciones sobre cómo obtener el ajuste adecuado de calibre de profundidad para la cadena de sierra.

(Fig. 118)



ADVERTENCIA: Un ajuste de calibre de profundidad excesivo aumenta el riesgo de reculada.

Para ajustar el calibre de profundidad

Antes de regular el calibre de profundidad o de afilar los eslabones de corte, consulte *Afilado de los eslabones de corte en la página 242* para obtener instrucciones. Recomendamos regular el ajuste de calibre de profundidad después de tres afilados de la cadena de sierra.

Recomendamos utilizar nuestro calibrador de profundidad para obtener el ajuste de calibre de profundidad y el ángulo del calibre de profundidad correctos.

(Fig. 119)

1. Utilice una lima plana y un calibrador de profundidad para ajustar el calibre de profundidad. Utilice solamente el calibrador de profundidad Husqvarna para obtener el ajuste de calibre de profundidad y el ángulo del calibre de profundidad adecuados.
2. Ponga el calibrador de profundidad por encima de la cadena de sierra.

Nota: Consulte el embalaje del calibrador de profundidad para obtener más información sobre cómo utilizar la herramienta.

3. Utilice la lima plana para eliminar la parte del calibre de profundidad que sobresale del calibrador de profundidad. (Fig. 120)

Tensado de la cadena de sierra



ADVERTENCIA: Una cadena de sierra sin la tensión correcta podría soltarse de la espada y causar lesiones graves o la muerte.

La cadena de sierra se alarga con el uso. Es importante ajustar la cadena de sierra con regularidad.

Realice una comprobación de la tensión de la cadena de sierra cada vez que añada aceite para cadena.

Nota: Las cadenas de sierra nuevas requieren un período de rodaje durante el que debe controlarse la tensión con mayor frecuencia.

1. Abra el mando. (Fig. 121)
2. Gire el mando hacia la izquierda para soltar la cubierta del piñón de arrastre. (Fig. 122)
3. Gire la rueda de tensado de la cadena para ajustar la tensión de la cadena de sierra. La cadena de sierra debe quedar apretada contra la espada. (Fig. 123)

Nota: Gire la rueda hacia abajo (+) para aumentar la tensión y hacia arriba (-) para disminuirla. La cadena de sierra estará bien tensada cuando pueda girarla con facilidad con la mano pero esté apretada contra la espada.

4. Gire el mando hacia la derecha para apretarlo. (Fig. 124)
5. Cierre el mando para fijar la tensión. (Fig. 125)

Para comprobar la lubricación de la cadena de sierra

Compruebe la lubricación de la cadena de sierra tras tres cargas de la batería.

1. Arranque el producto y déjelo funcionar a 3/4 de aceleración. Sujete la espada aproximadamente a 20 cm (8 pulg) por encima de una superficie de color claro.
2. Si la lubricación de la cadena de sierra es adecuada, podrá ver una línea de aceite bien definida en la superficie al cabo de 1 minuto. (Fig. 126)
3. Si la lubricación de la cadena de sierra no es adecuada, efectúe las comprobaciones siguientes.
 - a) Compruebe el canal de aceite de la espada para asegurarse de que no esté obstruido. Límpielo si es necesario. (Fig. 127)
 - b) Compruebe la ranura en el borde de la espada para asegurarse de que esté limpia. Límpielo si es necesario. (Fig. 128)

- c) Asegúrese de que el cabezal de rueda de la espada gire con facilidad y que su orificio de lubricación no esté obstruido. Limpie y lubrique si es necesario. (Fig. 129)

4. Si la lubricación de la cadena de sierra sigue sin ser adecuada tras llevar a cabo los procedimientos anteriores, acuda a su distribuidor.

Mantenimiento del piñón de arrastre de la cadena

El sistema de transmisión cuenta con un piñón de arrastre.

(Fig. 130)

Realice el mantenimiento siguiente en el piñón de arrastre de la cadena:

1. Compruebe con frecuencia el nivel de desgaste del piñón de arrastre de la cadena. Cambie el piñón de arrastre de la cadena si el desgaste es excesivo.
2. Cambie el piñón de arrastre cada vez que cambie la cadena de sierra.

Para inspeccionar el equipo de corte

1. Asegúrese de que no haya grietas en los remaches y eslabones, y que no haya ningún remache flojo. Proceda con la sustitución si es necesario. (Fig. 131)
2. Asegúrese de que la cadena de sierra se doble con facilidad. Sustituya la cadena de sierra si está rígida.
3. Compare la cadena de sierra con una cadena de sierra nueva para determinar si los remaches y eslabones están desgastados.
4. Cambie la cadena de sierra si la parte más larga del diente de corte tiene un tamaño inferior a 4 mm (0,16 pulg). Cambie también la cadena de sierra si presenta grietas en los eslabones de corte. (Fig. 132)

Comprobación de la espada

1. Asegúrese de que el canal de aceite no esté obstruido. Si es necesario, proceda con su limpieza. (Fig. 127)
2. Compruebe si se han formado rebabas en los lados de la espada. Lime las rebabas. (Fig. 133)
3. Limpie la ranura de la espada. (Fig. 128)
4. Examine si la ranura de la espada presenta indicios de desgaste. Cambie la espada si es necesario. (Fig. 134)
5. Examine si la punta de la espada está en mal estado o muy desgastada. (Fig. 135)
6. Asegúrese de que el cabezal de rueda de la espada gire con facilidad y que su orificio de lubricación no esté obstruido. Limpie y lubrique si es necesario. (Fig. 129)
7. Gire la espada todos los días para prolongar su vida útil. (Fig. 136)

Resolución de problemas

Programa de resolución de problemas

Tabla

Posibles códigos de error del teclado del producto.

Indicadores LED	Posibles errores	Posible acción
Indicador de advertencia parpadeando.	Freno de cadena aplicado.	Tire de la protección contra reculadas hacia atrás para liberar el freno de cadena.
	Desviación de la temperatura.	Deje que el producto se enfríe.
	Sobrecarga. Equipo de corte atascado.	El equipo de corte está atascado. Desmonte el equipo de corte.
	El gatillo de alimentación y el botón de activación se pulsan simultáneamente.	Suelte el gatillo de alimentación y el producto se pondrá en marcha.
LED verde de activación parpadeando.	Tensión de la batería baja.	Cargue la batería.
Indicador de advertencia encendido.	Servicio.	Acuda a su distribuidor.

Tabla

Resolución de problemas de la batería y / el cargador durante la carga.

Indicadores LED	Posibles errores	Posible acción
Indicador de advertencia parpadeando.	Batería agotada.	Cargue la batería.
	Desviación de la temperatura.	Utilice la batería en entornos en los que la temperatura se encuentre entre -10 °C (14 °F) y 40 °C (104 °F).
	Sobretensión.	Compruebe que la tensión de la red eléctrica se corresponde con la que figura en la placa de características del producto.
Retire la batería del cargador.		
Indicador de advertencia encendido.	La diferencia entre las celdas es demasiado grande (1 V).	Acuda a su distribuidor.

Tabla

Indicadores LED	Posibles errores	Posible acción
Indicador de advertencia parpadeando.	Desviación de la temperatura.	Utilice la batería en entornos en los que la temperatura se encuentre entre 5 °C (41 °F) y 40 °C (104 °F).
Indicador de advertencia encendido.		Acuda a su distribuidor.

Transporte, almacenamiento y eliminación

Transporte y almacenamiento

- Las baterías de iones de litio incluidas están sujetas a los requisitos de la normativa sobre mercancías peligrosas.
- Siga el requisito especial indicado en el paquete y en las etiquetas para el transporte comercial, incluso por terceros y agentes de transporte.
- Hable con alguien con formación especial en materiales peligrosos antes de enviar el producto. Respete todas las normativas nacionales.
- Cubra con cinta los contactos abiertos cuando ponga la batería en un paquete. Embale bien la batería en el paquete para evitar que se mueva.
- Extraiga la batería si va a guardar o transportar el producto.
- Coloque la batería y el cargador en un lugar seco y protegido de la humedad y las heladas.
- No almacene la batería en lugares donde pueda generarse electricidad estática. No guarde la batería en una caja metálica.
- Guarde la batería a una temperatura de entre 5 °C (41 °F) y 25 °C (77 °F), y protegida de la luz directa del sol.
- Guarde el cargador de la batería a una temperatura de entre 5 °C (41 °F) y 45 °C (113 °F), y protegido de la luz directa del sol.
- Utilice el cargador de la batería solo cuando la temperatura ambiente oscile entre 5 °C (41 °F) y 40 °C (104 °F).
- Cargar la batería entre el 30 % y el 50 % antes de guardarla durante periodos de tiempo largos.

- Guarde el cargador de la batería en un espacio cerrado y seco.
- Cuando guarde la batería, manténgala alejada del cargador. No permita que los niños ni otras personas no autorizadas toquen el equipo. Guarde el equipo en un lugar que pueda cerrarse con llave.
- Limpie el producto y realice un mantenimiento completo antes de guardarlo durante un periodo de tiempo prolongado.
- Utilice la protección de transporte del producto para evitar lesiones o daños en el producto durante el transporte y almacenamiento.
- Fije el producto firmemente durante el transporte.

desecho de la batería, el cargador y el producto

El siguiente símbolo significa que el producto no puede desecharse con los residuos domésticos. Reciclelo en un centro de reciclaje para equipos eléctricos y electrónicos. Esto ayudará a evitar dañar el medioambiente y las personas.

Consulte a las autoridades locales, el servicio de recogida de residuos domésticos o a su distribuidor para obtener más información.

(Fig. 21)

Nota: El símbolo aparece en el producto o el paquete del producto.

Datos técnicos

Datos técnicos

Plataforma	120i CS100EU
-------------------	------------------------

	120i
Motor	
Tipo	BLDC (sin cepillo) 36 V
Características	
Modo de energía baja	SavE
Sistema de lubricación	
Tipo de bomba de aceite	Detección
Capacidad del depósito de aceite, litros	0,20
Peso	
Motosierra sin batería, espada ni cadena de sierra, y con el depósito de aceite para cadena vacío, kg	2,95
Emisiones de ruido ²⁸	
Nivel de potencia acústica medida, dB(A)	98
Nivel de potencia acústica garantizado L_{WA} dB(A)	101
Niveles acústicos ²⁹	
Nivel de presión sonora equivalente en el oído del operador, dB(A)	88
Niveles de vibraciones ³⁰	
	3,8
Cadena de sierra/espada	
Longitudes de espada recomendadas, cm/pulg	30/12
Longitud efectiva de corte, cm/pulg	26/10
Tipo de piñón de arrastre/número de dientes	Spur/6
Velocidad máxima de la cadena / (savE), m/s	(10) 11,5

Accesorios

Combinaciones de espada y cadena de sierra

Los siguientes equipos de corte están homologados para Husqvarna 120i.

²⁸ Emisiones sonoras en el entorno medidas como potencia acústica (L_{WA}) según la directiva CE 2000/14/CE.

²⁹ El nivel de presión sonora equivalente, según la norma ISO 22868, se calcula como la suma de energía, ponderada en el tiempo, de los niveles de presión sonora en diferentes condiciones de trabajo. La dispersión estadística habitual del nivel de presión sonora equivalente es la desviación típica de 2,5 dB (A).

³⁰ El nivel de vibración declarado con las cifras más altas es en el mango. La dispersión estadística típica del nivel de vibración es de 1,5 m/s.


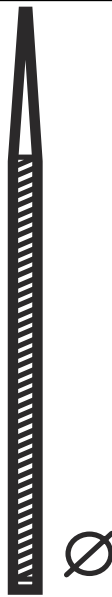
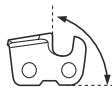


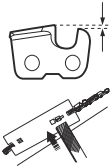
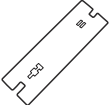

Espada				Cadena de sierra	
Longitud, pulg	Paso de cadena, pulg	Anchura de ranura, mm	Máximo número de dientes, cabeza de rueda	Tipo	Longitud, eslabones de arrastre (n.º)
12	3/8	1,1	7T	Husqvarna H38	45

Equipo de afilado y ángulos de afilado

Con el calibrador de afilado Husqvarna obtendrá los ángulos de afilado correctos. Le recomendamos utilizar siempre un calibrador de afilado Husqvarna para

restablecer el filo de la cadena de sierra. Las referencias se indican en la tabla siguiente.

Si desconoce la cadena de sierra que tiene montada en el producto, acuda a su distribuidor.

							
38	4,5 mm (11/64 pulg)	75°	30°	0°	0,65 mm (0,025 pulg)	5056981-03	5795588-01

Baterías homologadas

Utilice solo baterías BLi originales de Husqvarna para este producto.

Baterías homologadas para el producto

Batería	BLi20		BLi22	
	Iones de litio		Iones de litio	
Capacidad de la batería, Ah	4,2 (VTC4)	4 (HD2)	4,2 (VTC4)	4,0 (EVE 20P)
Tensión, V	36	36,5	36	36

Batería	BLi20		BLi22	
Peso, lb/kg	1,2/2,6	1,2/2,6	1,2/2,6	1,2/2,6

Cargadores de baterías homologados para el producto

Cargador de baterías	QC80
Tensión de red, V	100-240
Frecuencia, Hz	50-60
Potencia, W	100
Tensión de salida, V CC/ Amperaje, A	36/2

Declaración de conformidad CE

Declaración de conformidad CE

Husqvarna AB, SE-561 82 Huskvarna, Sweden, tel: +46-36-146500, declara bajo su exclusiva responsabilidad que la motosierra de batería inalámbrica **Husqvarna 120i (plataforma CS100EU)** con números de serie a partir de 2016 (el año se indica claramente en la placa de identificación junto con el número de serie) cumple con las disposiciones de las DIRECTIVAS DEL CONSEJO:

- de 17 de mayo de 2006 "relativa a máquinas", **2006/42/CE**.
- de 26 de febrero de 2014 "relativa a compatibilidad electromagnética", **2014/30/UE**.
- del 8 junio de 2011 sobre la "restricción de utilización de determinadas sustancias peligrosas" **2011/65/UE**.
- de 8 de mayo de 2000 "relativa a emisiones sonoras en el entorno", **2000/14/CE**.

Se han aplicado las normas siguientes: **EN 60745-1:2009+A11:2010, EN 60745-2-13:2009+A1:2010, EN 55014-1:2006+A1:2009+A2:2011, EN 61000-4-2:2009, EN 61000-4-3:2006+A1:2008, EN IEC63000:2018.**

Organismo notificado: TÜV Rheinland LGA Products GmbH, Tillystrasse 2, D-90431 Nuernberg, Germany, 0197, Suecia, ha efectuado el examen de tipo CE conforme a la Directiva relativa a las máquinas (2006/42/CE), artículo 12, cláusula 3b.

El certificado tiene el número: **BM 50356394 0001**

La motosierra suministrada es conforme con la muestra que se sometió al examen tipo CE.

Para obtener información respecto a las emisiones sonoras, consulte *Datos técnicos en la página 245*.

Huskvarna, 20181031



Pär Martinsson, director de desarrollo (representante autorizado de Husqvarna AB y responsable de la documentación técnica).

ÍNDICE

Introdução.....	250	Resolução de problemas.....	268
Segurança.....	251	Transporte, armazenamento e eliminação.....	269
Montagem.....	258	Especificações técnicas.....	269
Funcionamento.....	258	Acessórios.....	270
Manutenção.....	263	Declaração CE de conformidade.....	273

Introdução

Descrição do produto

Este produto é um modelo de motosserra com motor elétrico.

Decorre um trabalho constante para aumentar a sua segurança e eficiência durante o funcionamento. Para mais informações, contacte o revendedor com assistência técnica.

Vista geral do produto

(Fig. 1)

1. Proteção dianteira para a mão
2. Teclado
3. Botão SavE (economia)
4. Indicador de aviso
5. Botão de arranque/paragem
6. Bloqueio do interruptor de alimentação
7. Punho traseiro com protecção para a mão direita
8. Alojamento da ventoinha
9. Depósito de óleo da corrente
10. Carregador da bateria
11. Cabo de alimentação
12. Indicador de aviso
13. Conector
14. Manual do utilizador
15. Cobertura da lâmina guia
16. Cobertura do pinhão
17. Roda tensora da corrente
18. Botão
19. Retentor de corrente
20. Apoio para casca
21. Roleto
22. Corrente da serra
23. Barra guia
24. Punho dianteiro
25. Interruptor de alimentação
26. Bateria
27. Botões de desengate da bateria
28. Estado da bateria
29. Botão, estado da bateria
30. Indicador de aviso

Finalidade

Este produto destina-se a ser utilizado para serrar madeira.

Nota: A legislação nacional pode limitar a utilização deste produto.

Símbolos no produto

- (Fig. 2) Risco de ferimentos graves ou morte do operador ou terceiros. Seja cuidadoso e utilize o produto corretamente.
- (Fig. 3) Leia o manual do operador com atenção e certifique-se de que compreende as instruções antes de utilizar o produto.
- (Fig. 4) Utilize o capacete de proteção, a proteção ocular e os protetores acústicos aprovados.
- (Fig. 5) Este produto está em conformidade com as diretivas CE aplicáveis.
- (Fig. 6) Emissões de ruído para o meio ambiente de acordo com a Diretiva Europeia 2000/14/CE e com o regulamento "Protection of the Environment Operations (Noise Control) Regulation 2017" (regulamento de proteção de operações no meio ambiente [controlo do ruído] de 2017) da Nova Gales do Sul. Os dados das emissões de ruído podem ser encontrados na etiqueta da máquina no capítulo Especificações técnicas.
- (Fig. 7) O operador tem de utilizar as duas mãos para operar a motosserra.
- (Fig. 8) Não utilize a motosserra segurando-a apenas com uma mão.

- (Fig. 9) Não permita que a ponta da lâmina entre em contacto com objetos.
- (Fig. 10) Aviso! O retrocesso pode ocorrer quando a ponta da lâmina-guia entra em contacto com um objeto. Tal provoca a projeção da lâmina-guia na direção do operador. Risco de ferimentos graves ou morte.
- (Fig. 11) O sentido de rotação da corrente da serra e o comprimento máximo da lâmina-guia.
- (Fig. 12) Travão da corrente, engatado (lado direito). Travão da corrente, desengatado (lado esquerdo).
- (Fig. 13) Enchimento com óleo de corrente.
- (Fig. 14) Corrente contínua.
- (Fig. 15) Evite expô-las à chuva.
- (Fig. 16) **Marca ambiental.** O produto ou a respetiva embalagem não são resíduos domésticos. Recicle o equipamento numa estação de reciclagem para equipamentos elétricos e eletrónicos.

- (Fig. 20) A etiqueta de tipo apresenta o número de série. **yyyy** corresponde ao ano de produção, **ww** à semana de produção.

Nota: Os restantes símbolos/autocolantes existentes no produto dizem respeito às exigências de homologação de alguns países.

Símbolos na bateria e/ou no carregador da bateria

- (Fig. 21) Recicle este produto numa estação de reciclagem para equipamentos elétricos e eletrónicos. (Válido unicamente na Europa)
- (Fig. 17) Transformador contra-falhas.
- (Fig. 18) Utilize e armazene o carregador da bateria apenas em espaços interiores.
- (Fig. 19) Isolamento duplo.

Segurança

Definições de segurança

As definições abaixo indicam o nível de gravidade para cada palavra do sinal.



ATENÇÃO: Ferimentos pessoais.



CUIDADO: Danos no produto.

Nota: Esta informação facilita a utilização do produto.

Avisos gerais de segurança da ferramenta eléctrica



ATENÇÃO: Leia todos os avisos de segurança e todas as instruções. O incumprimento dos avisos e das instruções poderá resultar em choques elétricos, incêndios e/ou ferimentos graves.

Nota: Guarde todos os avisos e instruções para referência futura. O termo "ferramenta eléctrica" nos avisos refere-se à sua ferramenta eléctrica com ligação à corrente (com cabo) ou ferramenta eléctrica com bateria (sem cabo).

Segurança no local de trabalho

- **Mantenha a área de trabalho limpa e bem iluminada.** Áreas desarrumadas ou escuras convidam ao acidente.
- **Não maneje ferramentas eléctricas em ambientes explosivos, tal como na presença de líquidos inflamáveis, gases ou poeiras.** As ferramentas eléctricas criam faíscas que podem poeiras ou gases.
- **Mantenha as crianças e restantes pessoas afastadas enquanto maneja uma ferramenta eléctrica.** As distrações podem fazê-lo perder o controlo.

Segurança no manejo de eletricidade

- **As fichas das ferramentas eléctricas têm de corresponder à tomada eléctrica. Nunca modifique a ficha de qualquer forma. Não use quaisquer fichas adaptadoras com ferramentas eléctricas ligadas à terra.** As fichas inalteradas e as tomadas

correspondentes reduzem o risco de choque eléctrico.

- **Evite o contacto corporal com superfícies ligadas à terra, tais como tubos, radiadores, fogões e frigoríficos.** Existe um risco acrescido de choque eléctrico se o seu corpo estiver ligado à terra.
- **Não exponha ferramentas eléctricas a chuva ou condições de elevada humidade.** A entrada de água numa ferramenta eléctrica aumenta o risco de choque eléctrico.
- **Não danifique o fio eléctrico. Nunca use o fio eléctrico para transportar, puxar ou desligar a ferramenta eléctrica da tomada. Mantenha o cabo eléctrico afastado de fontes de calor, óleo, arestas afiadas ou de peças em movimento.** Fios eléctricos danificados ou emaranhados aumentam o risco de choque eléctrico.
- **Ao manejar uma ferramenta eléctrica no exterior, use uma extensão eléctrica adequada para utilização em exteriores.** A utilização de um cabo eléctrico adequado para utilização no exterior reduz o risco de choque eléctrico.
- **Caso a operação da ferramenta eléctrica num local húmido seja inevitável, utilize uma fonte de alimentação com corta-circuito em caso de falha de terra (GFCI).** A utilização de um corta-circuito em caso de falha de terra reduz o risco de choques eléctricos.

Segurança pessoal

- **Mantenha-se alerta, monitorize o que está a fazer e use o bom senso ao operar uma ferramenta eléctrica. Não use uma ferramenta eléctrica se estiver cansado ou sob a influência de drogas, álcool ou medicação.** Um momento de desatenção durante o manejo de ferramentas eléctricas pode resultar em lesões pessoais graves.
- **Use equipamento de protecção pessoal. Use sempre protecção ocular.** A utilização de equipamento de protecção como máscara antipoeira, calçado de segurança antiderrapante, capacete ou protetores acústicos nas condições apropriadas irá reduzir os ferimentos pessoais.
- **Prevenção de arranque não intencional. Certifique-se de que o interruptor se encontra desligado antes de ligar à fonte de alimentação e/ou à bateria, de pegar ou transportar a ferramenta.** Transportar ferramentas eléctricas com o dedo no interruptor ou ligar ferramentas eléctricas à corrente eléctrica com o interruptor ligado é um convite aos acidentes.
- **Remova qualquer chave de ajuste ou chave de porcas antes de ligar a ferramenta à corrente eléctrica.** Uma chave de porcas ou uma chave ligada a uma peça em rotação da ferramenta eléctrica pode resultar em lesões pessoais.
- **Não se debruce. Mantenha o equilíbrio e os pés sempre bem assentes.** Isto permite um melhor controlo da ferramenta eléctrica em situações inesperadas.

- **Vista-se adequadamente. Não use peças de roupa soltas ou jóias. Mantenha o cabelo, roupas e luvas longe de quaisquer peças em movimento.** Roupas soltas, jóias ou cabelo comprido podem ser apanhados nas peças em movimento.
- **Se forem fornecidos dispositivos para a ligação de equipamentos de extração e de recolha de poeiras, assegure-se de que estes estão ligados e são utilizados corretamente.** A utilização da recolha de poeiras pode reduzir os riscos relacionados com poeiras.
- A emissão de vibrações durante a utilização da ferramenta pode ser diferente do valor total declarado, dependendo da forma como a ferramenta é utilizada. Os operadores devem identificar as medidas de segurança necessárias à sua protecção, com base numa estimativa de exposição em condições reais de utilização (tendo em conta todas as fases do ciclo de operação, tais como o número de vezes que a ferramenta é ligada e desligada e quando está em rotação em vazio ou activada).

Utilização e manutenção de ferramentas eléctricas

- **Não force a ferramenta eléctrica. Use a ferramenta eléctrica correcta para a sua aplicação.** A ferramenta eléctrica correcta fará um trabalho melhor e mais seguro ao ritmo para o qual foi desenhada.
- **Não use a ferramenta eléctrica se o interruptor não ligar ou desligar.** Qualquer ferramenta eléctrica que não possa ser controlada com o interruptor é perigosa e tem de ser reparada.
- **Desligue a ficha da fonte de alimentação eléctrica e/ou baterias da ferramenta eléctrica antes de fazer qualquer ajuste, mudar acessórios ou guardar ferramentas eléctricas.** Estas medidas de prevenção reduzem o risco de ligar a ferramenta eléctrica acidentalmente.
- **Guarde ferramentas eléctricas que não estão na ser utilizadas fora do alcance das crianças e não permita que qualquer pessoa não familiarizada com a ferramenta eléctrica ou com as suas instruções maneje a ferramenta eléctrica.** As ferramentas eléctricas são perigosas nas mãos de utilizadores inexperientes.
- **Faça a manutenção às ferramentas eléctricas. Verifique quanto a desalinhamentos ou bloqueio de peças móveis, danos de peças e qualquer outra condição que possa afectar o funcionamento da ferramenta eléctrica. Se estiver danificada, repare a ferramenta eléctrica antes de a usar.** Muitos acidentes são causados por ferramentas eléctricas com má manutenção.
- **Mantenha as ferramentas de corte afiadas e limpas.** Ferramentas de corte com as zonas de corte afiadas e bem mantidas têm menos probabilidades de bloquear e são mais fáceis de controlar.
- **Use a ferramenta eléctrica, acessórios e brocas, etc. de acordo com estas instruções, tomando em consideração as condições de funcionamento e o**

trabalho a ser executado. A utilização da ferramenta elétrica para operações diferentes das previstas pode resultar numa situação perigosa.

Utilização e manutenção da bateria

- **Recarregue a bateria apenas com o carregador especificado pelo fabricante.** Um carregador adequado para um tipo de bateria pode criar risco de incêndio quando usado com outra bateria.
- **Use ferramentas eléctricas apenas com as baterias concebidas para as mesmas.** A utilização de quaisquer outras baterias pode criar risco de ferimentos e incêndio.
- **Quando a bateria não está a ser utilizada, mantenha-a afastada de outros objetos metálicos, como clips, moedas, chaves, pregos, parafusos ou outros objetos metálicos pequenos que possam fazer a ligação entre os dois terminais.** Provocar curto-circuitos nos terminais das baterias pode provocar queimaduras ou um incêndio.
- **Em condições extremas, é possível que o líquido da bateria veta; evite o contacto. Se ocorrer algum contacto accidental, lave com água. Se o líquido entrar em contacto com os olhos, procure assistência médica adicional.** O líquido vertido da bateria pode provocar irritações ou queimaduras.

Assistência

- **Garanta que a manutenção da sua ferramenta elétrica é efetuada por um técnico de reparações qualificado e que utilize apenas peças de substituição idênticas.** Isto irá assegurar que a segurança das ferramentas eléctricas é mantida.

Avisos de segurança da moto-serra

- **Mantenha todas as partes do corpo afastadas corrente da serra quando a moto-serra está em funcionamento. Antes do arranque da moto-serra, certifique-se de que a corrente da serra não está em contacto com qualquer objecto.** Um momento de desatenção ao operar moto-serras pode causar o emaranhamento das roupas ou do corpo com a corrente da serra.
- **Empunhe sempre a motosserra com a mão direita no punho traseiro e a esquerda no punho dianteiro.** Se segurar a moto-serra com a posição invertida das mãos aumentará o risco de ferimentos pessoais e, portanto, não deverá fazê-lo.
- **Segure a ferramenta eléctrica pegando apenas pela superfície isolada, uma vez que a corrente da serra pode entrar em contacto com fios eléctricos escondidos ou com o seu próprio fio.** A corrente da serra em contacto com um fio eléctrico sob tensão pode fazer com que as peças metálicas expostas também fiquem carregadas com electricidade, podendo o operador sofrer um choque eléctrico.
- **Use óculos de protecção e protectores acústicos. Recomenda-se o uso de equipamento de protecção adicional para a cabeça, as mãos, as pernas e os pés.** O uso de vestuário de protecção adequado irá

reduzir o risco de ferimentos pessoais provocados por detritos arremessados ou por contacto accidental com a corrente da serra.

- **Não opere a motosserra em cima de uma árvore.** Operar uma motosserra em cima de uma árvore poderá resultar em ferimentos pessoais.
- **Mantenha sempre uma boa colocação dos pés e opere a moto-serra apenas quando se encontrar sobre uma superfície fixa, segura e plana.** As superfícies escorregadias ou instáveis, tais como escadotes, podem causar uma perda de equilíbrio ou do controlo da moto-serra.
- **Ao cortar um ramo que esteja sob tensão, tenha cuidado para que este não seja arremessado contra si.** Quando a tensão nas fibras da madeira é libertada, o ramo sob tensão pode ser arremessado contra o operador e/ou descontrolar a moto-serra.
- **Tenha muito cuidado ao cortar silvado e árvores jovens.** O material fino poderá ficar preso na corrente da serra e ser chicoteado para a frente na sua direcção ou fazer com que perca o equilíbrio.
- **Transporte a motosserra pelo punho dianteiro, desligada e afastada do corpo. Quando transportar ou armazenar a moto-serra, coloque sempre a cobertura da lâmina.** O manuseamento correcto da moto-serra irá reduzir a probabilidade de contacto accidental com a corrente da serra em rotação.
- **Siga as instruções relativamente à lubrificação, à tensão da corrente e à troca de acessórios.** Uma corrente da serra que não esteja devidamente esticada ou lubrificada poderá partir-se ou aumentar o risco de retrocesso.
- **Mantenha os punhos secos, limpos e sem óleo nem massa lubrificante.** Os punhos com massa lubrificante ou óleo ficam escorregadios, podendo causar a perda de controlo.
- **Corte apenas madeira. Não utilize a moto-serra para fins a que esta não se destine. Por exemplo: não utilize a motosserra para cortar plástico, alvenaria ou materiais de construção que não sejam de madeira.** A utilização da motosserra para operações diferentes das previstas pode resultar em situações perigosas.
- **Recomendamos fortemente que pessoas que estejam a utilizar a motosserra pela primeira vez pratiquem a operação em troncos num cavalete.**

Causas de retrocesso e respectiva prevenção pelo operador

O retrocesso pode ocorrer quando a ponta da lâmina entra em contacto com um objecto, ou quando a madeira se retrai e entala a corrente da serra durante o corte. Nalguns casos, quando a ponta da lâmina entra em contacto com um objecto, pode ocorrer uma reacção de retrocesso em que a lâmina é atirada para cima e para trás, contra o operador. Se a corrente da serra ficar entalada ao longo da parte superior da lâmina, esta poderá ser empurrada rapidamente contra o operador. Qualquer uma destas reacções poderá fazer com que perca o controlo da moto-serra, o que poderá resultar

em graves ferimentos pessoais. Não se fie exclusivamente nos dispositivos de segurança da moto-serra. Como utilizador de moto-serra, deverá tomar várias medidas para manter as suas tarefas de corte isentas de acidentes ou ferimentos. O retrocesso é um resultado da má utilização da ferramenta e/ou procedimentos de operação incorrectos ou condições que podem ser evitadas, tomando as devidas precauções indicadas abaixo:

- **Agarre com firmeza, com os polegares e os dedos em volta dos punhos da motosserra, com ambas as mãos na serra, e posicione o corpo e os braços de forma a que consiga resistir às forças de retrocesso.** Se forem tomadas as devidas precauções, o operador poderá controlar as forças de retrocesso. Não largue a moto-serra.
- **Não se debruce nem corte acima da altura dos ombros.** Isto ajuda a evitar o contacto accidental da ponta com objectos e oferece um melhor controlo da moto-serra em situações imprevistas.
- **Use apenas lâminas e correntes de substituição especificadas pelo fabricante.** As lâminas e correntes de substituição incorrectas poderão partir a corrente e/ou provocar o retrocesso.
- **Siga as instruções do fabricante relativamente à afiação e manutenção da corrente da serra.** A diminuição da altura da abertura de corte, aumentará o retrocesso.

GUARDE ESTAS INSTRUÇÕES.

Instruções de segurança gerais



ATENÇÃO: Leia as instruções de aviso que se seguem antes de utilizar o produto.

- Se o utilizador não for cuidadoso ou se o produto for utilizado de forma incorreta, este produto é uma ferramenta perigosa. Este produto pode provocar ferimentos graves ou a morte do operador ou terceiros. É muito importante que você leia e compreenda o conteúdo destas instruções para o uso.
- Não altere o produto sem a aprovação do fabricante. Não utilize um produto que tenha sido alterado por outros e use sempre acessórios originais. As alterações não aprovadas pelo fabricante podem resultar em ferimentos graves ou a morte do operador ou de terceiros.
- A inalação prolongada de gases do óleo de corrente e de serrim pode provocar problemas de saúde.
- Este produto produz um campo eletromagnético durante o funcionamento. Em determinadas circunstâncias, este campo pode interferir com o funcionamento de implantes médicos ativos ou passivos. Para diminuir o risco de ferimentos graves ou mortais, recomendamos que os portadores de implantes médicos consultem o seu médico e o fabricante do implante antes de utilizar este produto.

Instruções de segurança para funcionamento



ATENÇÃO: Leia as instruções de aviso que se seguem antes de utilizar o produto.

- As informações contidas neste manual do operador não substituem capacidades profissionais e experiência. Se não se sentir seguro na situação em que se encontra, pare o produto. Contacte o seu revendedor com assistência técnica ou um operador de motosserra profissional. Evite qualquer forma de uso para a qual não se sinta suficientemente qualificado!
- Contacte o seu revendedor com assistência técnica ou Husqvarna se tiver alguma dúvida sobre o funcionamento do produto. Podemos dar-lhe informações sobre como operar o produto de forma eficaz e segura. Se possível, participe numa formação sobre o funcionamento da motosserra. O seu revendedor com assistência técnica, escola de silvicultura ou a sua biblioteca poderão informá-lo sobre o material de formação e as aulas disponíveis.
- É necessário compreender os efeitos do retrocesso e como evitá-los antes de utilizar este produto. Consulte *Informação sobre retrocesso na página 260* e *Perguntas comuns sobre o retrocesso na página 259* para obter instruções.
- Nunca utilize um produto, uma bateria ou um carregador de bateria defeituoso.
- Não toque numa corrente de serra rotativa. Tal pode causar ferimentos graves ou morte.
- Não utilize o produto quando estiver cansado, sob o efeito de álcool ou drogas, tiver tomado medicamentos ou outros produtos que possam afetar negativamente a sua visão, atenção, capacidade de discernimento ou o seu controlo físico.
- Trabalhar em más condições meteorológicas é cansativo e muitas vezes traz riscos acrescidos. Devido ao risco acrescido, não se recomenda a utilização da máquina em condições meteorológicas adversas, por exemplo, nevoeiro denso, chuva intensa, ventos fortes, frio intenso ou risco de trovoadas, etc.
- Não ligue um produto sem que a lâmina-guia, a corrente da serra e todas as coberturas estejam devidamente montadas. Caso contrário, o pinhão pode soltar-se e causar ferimentos graves. Consulte *Montagem na página 258* para obter instruções. (Fig. 22)
- Verifique a área circundante. Certifique-se de que não existe o risco de terceiros ou animais tocarem ou influenciarem o seu controlo do produto. (Fig. 23)
- Não deixe que as crianças utilizem ou se aproximem do produto. O produto liga-se facilmente e as crianças podem conseguir ligá-lo se não forem

constantemente supervisionadas. Isto pode implicar um risco de ferimentos graves.

- Retire a bateria quando o produto estiver fora de vista ou quando o deixar sem supervisão por um período mais prolongado.
- Tem de estar estável para ter total controlo sobre o produto. Não utilize o produto se estiver numa escada ou árvore. Não utilize o produto se não estiver num solo estável. (Fig. 24)
- Se não for cuidadoso, o risco de retrocesso aumenta. Um retrocesso pode ocorrer se o setor de risco de retrocesso da lâmina-guia tocar acidentalmente num ramo, árvore ou outros objetos. (Fig. 25)
- Não utilize o produto apenas com uma mão. É impossível controlar este produto com segurança só com uma mão.
- Não utilize o produto acima da altura dos ombros e não tente cortar com a ponta da lâmina-guia. (Fig. 26)
- Não utilize um produto numa situação em que não consegue obter ajuda em caso de acidente.
- Pare o produto e engate o travão da corrente antes de deslocar o produto. Segure o produto com a lâmina-guia e a corrente da serra a apontar para trás. Coloque uma proteção para transporte na lâmina-guia antes de a transportar ou deslocar.
- Quando deixar o produto no chão, engate o travão da corrente e mantenha-o sob vigilância contínua. Antes de se afastar do produto durante algum tempo, pare o produto e retire a bateria.
- Existe o risco de serradura ficar presa no sistema de acionamento. Tal pode fazer com que a corrente da serra fique presa. Desligue sempre o produto e retire a bateria antes de o limpar.
- Certifique-se de que pode deslocar-se com segurança. Examine as condições e o terreno circundante quanto à existência de eventuais obstáculos como, por exemplo, raízes, pedras, ramos, valas e muito mais. Tenha cuidado ao trabalhar em terreno inclinado.
- O nível de vibração aumenta se cortar com equipamento de corte incorreto ou que não se encontra devidamente afiado. Serrar um tipo de madeira duro como, por exemplo, árvores de folhas caducas, provoca vibrações maiores do que serrar um tipo macio como coníferas. (Fig. 27)
- A sobreexposição a vibrações pode levar a lesões arteriais ou nervosas em pessoas com má circulação sanguínea. Consulte um médico em caso de sintomas relacionados com a sobre-exposição a vibrações. Estes sintomas podem manifestar-se como torpor, ausência de sensibilidade, 'cócegas', 'picadelas', dor, falta ou redução de força normal, alterações de cor da pele ou da sua superfície. Estes sintomas normalmente ocorrem nos dedos, nas mãos ou nos pulsos e aumentam com temperaturas baixas.
- Evite situações que lhe pareçam estar além das suas capacidades.

- Não é possível incluir cada eventual situação com a qual se pode deparar ao utilizar este produto. Seja sempre cuidadoso e use o seu senso comum. (Fig. 28)

Equipamento de proteção pessoal



ATENÇÃO: Leia as instruções de aviso que se seguem antes de utilizar o produto.

(Fig. 29)

- A maioria dos acidentes com motosserras ocorre quando a corrente da serra atinge o utilizador. O utilizador deve usar equipamento de proteção pessoal aprovado durante o funcionamento. O equipamento de proteção pessoal não fornece proteção total contra ferimentos, mas diminui a respetiva gravidade em caso de acidente. Contacte o seu revendedor com assistência técnica para obter recomendações sobre o equipamento a utilizar.
- O vestuário deve ser justo, mas não deve limitar os seus movimentos. Verifique regularmente o estado do equipamento de proteção pessoal.
- Utilize um capacete de proteção aprovado.
- Utilize protetores acústicos aprovados. A exposição prolongada a ruídos pode provocar danos auditivos permanentes.
- Use óculos de proteção ou viseira para reduzir o risco de ferimentos causados por objetos arremessados. O produto pode projetar objetos, tais como serradura, pequenos pedaços de madeira etc., com muita força. Isso pode causar ferimentos graves, especialmente nos olhos.
- Utilize luvas com proteção contra serra.
- Utilize calças com proteção contra serra.
- Utilize botas com proteção contra serra, biqueira de aço e sola antiderrapante.
- O kit de primeiros socorros deve estar sempre à mão.
- Risco de faíscas. Tenha sempre à mão ferramentas de extinção de incêndios e uma pá para evitar incêndios florestais.

Dispositivos de segurança no produto



ATENÇÃO: Leia as instruções de aviso que se seguem antes de utilizar o produto.

- Não utilize o produto com dispositivos de segurança defeituosos.
- Verifique regularmente os dispositivos de segurança. Consulte *Manutenção e verificação dos dispositivos de segurança no produto na página 264*.
- Se os dispositivos de segurança estiverem defeituosos, fale com o seu revendedor com assistência técnica Husqvarna.

Teclado

O indicador de aviso fica intermitente se o travão da corrente for ativado ou se existir o risco de sobrecarga. A proteção contra sobrecarga interrompe temporariamente o produto e o utilizador não pode utilizar o produto até a temperatura ser restaurada. Se o indicador apresentar uma luz contínua, contacte o seu revendedor com assistência técnica. (Fig. 30)

A função de paragem automática

O produto possui uma função de paragem automática que desliga o produto caso não o utilize durante um minuto.

Travão de corrente com protector anti-retrocesso

O seu produto possui um travão da corrente que para a corrente da serra em caso de retrocesso. O travão da corrente reduz o risco de acidentes, mas só o utilizador os poderá evitar. (Fig. 31)



ATENÇÃO: Evite situações em que exista o risco de retrocesso. Tenha cuidado ao utilizar o produto e certifique-se de que o setor de risco de retrocesso da lâmina-guia não entra em contacto com um objeto.

(Fig. 32)

O travão da corrente engata (A) manualmente com a mão esquerda ou automaticamente através da função de inércia. Empurre para a frente a proteção dianteira para a mão (B) para engatar o travão da corrente manualmente. Este movimento ativa um mecanismo de mola que para o pino. (Fig. 33)

A forma como o travão da corrente é acionado está relacionada com a força do retrocesso e a posição do produto. Em caso de ocorrer um retrocesso intenso enquanto o setor de risco de retrocesso se encontra afastado do utilizador, o travão da corrente engata pela função de inércia. Se o retrocesso for pequeno ou o setor de risco de retrocesso estiver próximo do utilizador, o travão da corrente engata manualmente com a mão esquerda. (Fig. 34)

Utilize o travão da corrente como travão de estacionamento quando ligar o produto e se deslocar em distâncias curtas. Isto diminui o risco de o utilizador ou alguém próximo entrar em contacto com a corrente da serra. (Fig. 35)

Puxe a proteção dianteira para a mão para trás para desengatar o travão da corrente. (Fig. 36)

Os retrocessos podem ocorrer subitamente e ser muito intensos. A maior parte dos retrocessos é pequena e nem sempre engata o travão da corrente. Se ocorrer um retrocesso ao utilizar o produto, segure firmemente os punhos e não largue. (Fig. 37)

A proteção dianteira para a mão também reduz o risco de contacto com a corrente da serra caso a sua mão se solte do punho dianteiro. (Fig. 38)

Na posição de abate, não é possível engatar o travão da corrente manualmente. Nesta posição, o travão da corrente pode apenas ser engatado pela função de inércia. (Fig. 39)

Bloqueio do interruptor de alimentação

O bloqueio do interruptor de alimentação impede o funcionamento acidental do interruptor de alimentação. Se colocar a mão no punho e premir o bloqueio do interruptor de alimentação (A), este liberta o interruptor de alimentação (B). Quando solta o punho, o interruptor de alimentação e o bloqueio do interruptor de alimentação retornam às suas posições originais. (Fig. 40)

Retentor de corrente

O retentor de corrente prende a corrente da serra caso esta se parta ou se solte. Se a tensão da corrente for a correta, o risco diminui. Também pode diminuir o risco se efetuar a manutenção correta da lâmina-guia e da corrente da serra. Consulte *Apertar a corrente da serra na página 266* e *Manutenção na página 263* para obter instruções. (Fig. 41)

Protector da mão direita

A proteção do lado direito funciona como uma proteção para a sua mão caso a corrente da serra se parta ou se solte. Também impede a interferência de ramos e galhos quando utilizar o produto. (Fig. 42)

Segurança da bateria



ATENÇÃO: Leia as instruções de aviso que se seguem antes de utilizar o produto.

- Utilize apenas as baterias BLi que recomendamos para o seu produto. As baterias contêm software encriptado.
- Utilize as baterias BLi recarregáveis como fonte de alimentação apenas para os produtos Husqvarna relacionados. Para evitar ferimentos, não utilize a bateria como fonte de alimentação para outros produtos.
- Risco de choque elétrico. Não ligue os terminais da bateria a chaves, parafusos ou outros metais. Caso contrário, pode provocar um curto-circuito da bateria.
- Não utilize baterias não recarregáveis.
- Não coloque objetos nas aberturas de ventilação da bateria.
- Mantenha a bateria afastada do sol, calor ou de chamas abertas. A bateria pode causar queimaduras e/ou queimaduras químicas.
- Mantenha a bateria afastada de chuva e condições de humidade.
- Mantenha a bateria afastada de micro-ondas e alta pressão.

- Não tente desmontar ou partir a bateria.
- Não deixe que o ácido da bateria entre em contacto com a pele. O ácido da bateria provoca ferimentos na pele, corrosão e queimaduras. Se o ácido da bateria entrar em contacto com os olhos, não os esfregue; lave os olhos com água durante, pelo menos, 15 minutos. Se o ácido da bateria entrar em contacto com a pele, tem de limpar a pele com uma grande quantidade de água e sabão. Procure assistência médica.
- Utilize a bateria a temperaturas entre -10 °C (14 °F) e 40 °C (104 °F).
- Não limpe a bateria ou o carregador com água. Consulte o capítulo *Verificar a bateria e o compartimento da bateria na página 265*.
- Não utilize uma bateria danificada ou com defeito.
- Mantenha as baterias armazenadas afastadas de objetos metálicos como, por exemplo, pregos, parafusos ou joias.
- Mantenha as baterias afastadas de crianças.

Segurança do carregador de bateria



ATENÇÃO: Leia as instruções de aviso que se seguem antes de utilizar o produto.

- Risco de choque elétrico ou curto-circuito se as instruções de segurança não forem cumpridas.
- Utilize uma tomada elétrica de ligação à terra aprovada que não esteja danificada.
- Não utilize outros carregadores de baterias que não o fornecido para o seu produto. Utilize apenas carregadores QC Husqvarna para carregar baterias de substituição BLi Husqvarna.
- Não tente desmontar o carregador da bateria.
- Não utilize um carregador da bateria que esteja com defeito ou danificado.
- Não utilize o cabo de alimentação para levantar o carregador da bateria. Para desligar o carregador da bateria de uma tomada elétrica, puxe a ficha. Não puxe o cabo de alimentação.
- Mantenha todos os cabos e cabos de extensão afastados de água, óleo e arestas afiadas. Certifique-se de que o cabo não fica entalado em portas, cercas ou objetos semelhantes.
- Não utilize o carregador da bateria próximo de materiais inflamáveis ou materiais que possam provocar corrosão. Certifique-se de que o carregador da bateria não está coberto. Em caso de fumo ou fogo, desligue o carregador da bateria da tomada.
- Carregue a bateria apenas em espaços interiores, com um bom fluxo de ar e sem exposição à luz solar. Não carregue a bateria no exterior. Não carregue a bateria em condições de humidade.
- Utilize apenas o carregador da bateria onde a temperatura se encontrar entre 5 °C (41 °F) e 40 °C

(104 °F). Utilize o carregador em ambientes bem ventilados, secos e isentos de poeiras.

- Não coloque objetos nas aberturas de arrefecimento do carregador da bateria.
- Não ligue os terminais do carregador da bateria a objetos metálicos, uma vez que pode provocar um curto-circuito no carregador da bateria.
- Utilize tomadas elétricas aprovadas e que não se encontrem danificadas.

Instruções de segurança para manutenção



ATENÇÃO: Leia as instruções de aviso que se seguem antes de efetuar tarefas de manutenção no produto.

- Retire a bateria antes de efetuar tarefas de manutenção, outras verificações, ou de montar o produto.
- O operador só pode efetuar as tarefas de manutenção e assistência descritas neste manual do utilizador. Contacte o seu revendedor com assistência técnica para tarefas de manutenção e assistência de maior extensão.
- Não limpe a bateria ou o carregador com água. Os detergentes fortes podem danificar o plástico.
- Se não proceder à manutenção, irá diminuir o ciclo de vida do produto e aumentar o risco de acidentes.
- É necessária formação especializada para todos os trabalhos de assistência e reparação, especialmente para os dispositivos de segurança do produto. Se, após efetuar tarefas de manutenção, nem todas as verificações deste manual forem aprovadas, contacte o seu revendedor com assistência técnica. Garantimos que existem reparações e assistência profissionais disponíveis para o seu produto.
- Utilize sempre peças sobresselentes originais.

Instruções de segurança para equipamento de corte



ATENÇÃO: Leia as instruções de aviso que se seguem antes de utilizar o produto.

- Utilize apenas as combinações de lâmina-guia/corrente da serra e o equipamento de enchimento recomendados. Consulte *Acessórios na página 270* para obter instruções.
- Use luvas de proteção quando utilizar ou realizar a manutenção da corrente da serra. Uma corrente da serra que não se mova também pode causar ferimentos.
- Mantenha os dentes de corte bem afiados. Siga as instruções e utilize o calibrador de lima recomendado. Uma corrente da serra danificada ou mal afiada aumenta o risco de acidentes. (Fig. 43)

- Mantenha a definição de abertura de corte correta. Siga as instruções e use a definição de abertura de corte recomendada. Uma definição de abertura de corte demasiado grande aumenta o risco de retrocesso.(Fig. 44)
- Certifique-se de que a corrente da serra está corretamente esticada. Se a corrente da serra não estiver bem apertada contra a lâmina-guia, a corrente da serra pode sair do trilho. Uma tensão da corrente da serra incorreta aumenta o desgaste da

lâmina-guia, da corrente da serra e do pinhão da corrente. Consulte *Apertar a corrente da serra na página 266*.(Fig. 45)

- Efetue a manutenção do equipamento de corte regularmente e mantenha-o corretamente lubrificado. Se a corrente da serra não estiver corretamente lubrificada, o risco de desgaste da lâmina-guia, da corrente da serra e do pinhão da corrente aumenta.(Fig. 46)

Montagem

Introdução



ATENÇÃO: Certifique-se de que lê e compreende o capítulo sobre segurança antes de montar o produto.

Para montar a lâmina-guia e a corrente da serra



ATENÇÃO: Retire sempre a bateria antes de montar ou efetuar a manutenção do produto.

1. Desengate o travão da corrente. (Fig. 47)
2. Desaperte o botão e retire a cobertura do pinhão (travão da corrente) e a proteção de transporte (A). (Fig. 48)
3. Coloque a lâmina-guia sobre o respetivo parafuso. Oriente a lâmina-guia até à sua posição mais traseira. Levante a corrente acima do pinhão e engate-a na ranhura da lâmina-guia. Comece pela extremidade superior da lâmina-guia. (Fig. 49)

4. Certifique-se de que as extremidades das ligações de corte estão viradas para a frente na extremidade superior da lâmina-guia.
5. Monte a cobertura do pinhão e oriente o pino de ajuste da corrente até ao orifício da lâmina-guia.
6. Certifique-se de que os elos de ligação da corrente encaixam corretamente no pinhão.
7. Certifique-se de que a corrente da serra está bem engatada na ranhura da lâmina-guia.
8. Aperte a corrente da serra. Consulte *Apertar a corrente da serra na página 266* para obter instruções.

Montar um apoio para casca

Para montar um apoio para casca, consulte o seu revendedor com assistência técnica.

Funcionamento

Introdução



ATENÇÃO: Certifique-se de que lê e compreende o capítulo sobre segurança antes de usar o produto.

Para verificar o funcionamento antes de usar o produto

1. Verifique o travão da corrente (A) para confirmar que funciona corretamente e que não está danificado.
2. Verifique a proteção traseira para a mão direita (B) para confirmar que não está danificada.
3. Verifique o interruptor de alimentação e o respetivo bloqueio (C) para se certificar de que funcionam corretamente e não estão danificados.

4. Verifique o teclado para confirmar (D) se funciona corretamente.
5. Certifique-se de que não existe óleo nos punhos (E).
6. Efetue uma verificação para confirmar que todas as peças estão corretamente montadas e não estão danificadas ou em falta.
7. Verifique o retentor da corrente (F) para confirmar que está corretamente montado.
8. Verifique a tensão da corrente (G).
9. Carregue a bateria (H) e certifique-se de que está devidamente montada no produto.
10. Certifique-se de que a corrente da serra para quando solta o interruptor de alimentação. (Fig. 50)

Óleo de corrente

Todas as motosserras Husqvarna têm um sistema de lubrificação de corrente automática. Alguns deles podem até ser fornecidos com fluxo de óleo regulável.

Lembre-se do seguinte quando selecionar o óleo de corrente:

(Fig. 51)

- O depósito de óleo dura cerca de três cargas de bateria. Isto aplica-se apenas se utilizar o óleo de corrente correto. Se o óleo de corrente for demasiado fino, não durará tanto tempo.
- O óleo de corrente tem de apresentar uma boa aderência à corrente da serra e manter a respetiva qualidade de fluidez durante o tempo quente no verão e o tempo frio no inverno.
- Use um tipo de óleo adequado à temperatura do ar (viscosidade adequada). Em temperaturas inferiores a 0 °C (32 °F) alguns óleos tornam-se demasiado espessos. Isto pode resultar numa sobrecarga da bomba de óleo, danificando os componentes da mesma.
- Use o equipamento de corte recomendado. Uma lâmina-guia demasiado comprida irá usar mais óleo de corrente.
- Consulte o seu revendedor com assistência técnica para selecionar um óleo de corrente.



ATENÇÃO: Não use óleo usado! O óleo usado é perigoso para si e para o ambiente. O óleo usado também danifica a bomba de óleo, a lâmina-guia e a corrente da serra.



ATENÇÃO: Se a lubrificação do equipamento de corte não for suficiente, pode causar a rutura da corrente da serra. Tal pode causar ferimentos graves ou a morte do operador.



CUIDADO: Se utilizar óleo de corrente de base vegetal, limpe a ranhura da lâmina-guia e a corrente da serra antes de efetuar um armazenamento prolongado. Caso contrário, corre o risco de a corrente da serra oxidar, fazendo com que a corrente da serra fique rígida e o pinhão da ponta da lâmina fique obstruído.

Perguntas comuns sobre o retrocesso

- **A mão engatará sempre o travão da corrente na ocorrência de um retrocesso?**

Não. É necessário utilizar alguma força para empurrar a proteção dianteira para a mão para a frente. Se não utilizar a força necessária, o travão da corrente não é engatado. O operador deve também

segurar os punhos do produto de forma estável com as duas mãos durante o trabalho. Se ocorrer um retrocesso, é possível que o travão da corrente não pare a corrente da serra antes de entrar em contacto com o utilizador. Existem também algumas posições em que a sua mão não pode tocar na proteção dianteira para a mão para engatar o travão da corrente.

- **A função de inércia engatará sempre o travão da corrente na ocorrência de um retrocesso?**

Não. Em primeiro lugar, o travão da corrente deve funcionar corretamente. Consulte *Manutenção na página 263* para obter instruções sobre como efetuar a verificação do travão da corrente. Recomendamos que execute sempre esta operação antes de utilizar o produto. Em segundo lugar, a força do retrocesso tem de ser intensa para engatar o travão da corrente. Se o travão da corrente for demasiado sensível, pode ser ativado durante uma utilização mais agressiva.

- **O travão da corrente proteger-me-á sempre de ferimentos na ocorrência de um retrocesso?**

Não. O travão da corrente deve funcionar corretamente para proteger. O travão da corrente também deve ser engatado durante um retrocesso para parar a corrente da serra. Se o utilizador estiver próximo da lâmina-guia, é possível que o travão da corrente não tenha tempo suficiente para parar a corrente da serra antes de lhe acertar.



ATENÇÃO: Só o operador e a utilização da técnica de trabalho correta podem evitar retrocessos.

Ligar o carregador da bateria

1. Ligue o carregador da bateria a uma rede elétrica com tensão e frequência que estejam especificadas na etiqueta de tipo.
2. Coloque a ficha numa tomada elétrica de ligação à terra.

Nota: A bateria não carrega se a temperatura da bateria for superior a 50 °C/122 °F. Se a temperatura for superior a 50 °C/122 °F, o carregador da bateria aquece a bateria.

Carregar a bateria

Nota: Carregue a bateria se se tratar da primeira vez que a utiliza. Uma bateria nova tem apenas 30% de carga.

1. Ligue a bateria ao carregador da bateria. (Fig. 52)
2. Certifique-se de que a luz verde de carga do carregador da bateria se acende. Isso significa que a bateria se encontra corretamente ligada ao carregador da bateria. (Fig. 53)

3. A bateria está totalmente carregada quando todos os LED se acenderem. (Fig. 54)
4. Para desligar o carregador da bateria da tomada elétrica, puxe a ficha. Não puxe o cabo.
5. Desligue a bateria do carregador da bateria.

Nota: Consulte os manuais da bateria e do carregador da bateria para obter mais informações.

Arranque

1. Faça uma verificação do interruptor de alimentação e do bloqueio do interruptor de alimentação. Consulte o capítulo *Verificar o bloqueio do interruptor de alimentação na página 265*.
2. Empurre para a frente a proteção dianteira para a mão para engatar o travão da corrente. (Fig. 38)
3. Coloque a bateria no respetivo suporte. (Fig. 55)
4. Prima na parte inferior da bateria até ouvir um som de clique.



CUIDADO: Se a bateria não se mover facilmente para o respetivo suporte, não está devidamente instalada no suporte da bateria.

(Fig. 56)

5. Prima e mantenha premido o botão de arranque/paragem até acender o LED verde. (Fig. 57)

Utilizar a função SavE

Este produto tem uma função de poupança de energia, SavE. A função SavE diminui a velocidade da corrente e proporciona um tempo de funcionamento mais longo da bateria.

Nota: A função SavE não diminui a potência de corte do produto.

1. Pressione o botão SavE no teclado.
2. Certifique-se de que o LED verde se acende.
3. Prima o botão SavE novamente para desativar a função. O LED verde apaga-se. (Fig. 58)

Desligar o produto

1. Prima e mantenha premido o botão de arranque/paragem no teclado até apagar o LED verde. (Fig. 57)
2. Retire a bateria e prima os respetivos botões de libertação para remover a bateria do respetivo suporte. (Fig. 59)



ATENÇÃO: Retire a bateria quando não estiver em utilização ou quando não tiver total visibilidade do produto. Tal evita o arranque accidental.

Informação sobre retrocesso



ATENÇÃO: Um retrocesso pode provocar ferimentos graves ou a morte do operador ou terceiros. Para diminuir o risco, deve compreender as causas do retrocesso e como é possível evitá-las.

O retrocesso ocorre quando o sector de risco de retrocesso da lâmina-guia entra em contacto com um objeto. Um retrocesso pode ocorrer subitamente e com muita força, arremessando o produto na direção do operador. (Fig. 60)

O retrocesso ocorre sempre na direção do plano de corte da lâmina-guia. Normalmente, o produto é arremessado contra o operador, mas também pode deslocar-se numa direção diferente. É a forma como utiliza o produto quando ocorre um retrocesso que condiciona a direção do movimento. (Fig. 61)

O retrocesso só ocorre se o sector de risco de retrocesso da lâmina-guia entrar em contacto com um objeto. Não permita que o sector de risco de retrocesso entre em contacto com um objeto. (Fig. 60)

Um raio da ponta da lâmina inferior diminui a força do retrocesso.

Utilize uma corrente da serra de baixo retrocesso para diminuir os efeitos do retrocesso. Não permita que o sector de risco de retrocesso entre em contacto com um objeto.



ATENÇÃO: Nenhuma corrente da serra evita totalmente o retrocesso. Respeite sempre as instruções.

Usar a técnica de corte



ATENÇÃO: Utilize a potência total durante trabalhos de corte e diminua a velocidade para ralenti após cada corte.



CUIDADO: Não deixe o motor a funcionar durante muito tempo sem carga. Caso contrário, pode provocar danos no motor.

1. Coloque o tronco num cavalete ou sobre travessas. (Fig. 62)



ATENÇÃO: Não corte troncos empilhados. Isto aumenta o risco de retrocesso e pode provocar ferimentos graves ou a morte.

2. Retire os pedaços cortados da área de trabalho.



ATENÇÃO: Os pedaços cortados na área de trabalho aumentam o risco de retrocesso e a possibilidade de o utilizador não conseguir manter o equilíbrio.

Cortar um tronco no solo

1. Corte o tronco com a corrente a puxar. Mantenha a potência máxima mas esteja preparado para acidentes repentinos. (Fig. 63)



ATENÇÃO: Certifique-se de que a corrente da serra não toca no chão quando concluir o corte.

2. Corte aproximadamente $\frac{2}{3}$ do tronco e, em seguida, pare. Rode o tronco e corte a partir do lado oposto. (Fig. 64)

Cortar um tronco com apoio numa extremidade



ATENÇÃO: Certifique-se de que o tronco não parte durante o corte. Siga as instruções apresentadas abaixo.

(Fig. 65)

1. Corte com a corrente a empurrar aproximadamente $\frac{1}{3}$ do tronco.
2. Corte o tronco com a corrente a puxar até as duas partes cortadas entrarem em contacto. (Fig. 66)

Cortar um tronco com apoio em ambas as extremidades



ATENÇÃO: Certifique-se de que a corrente da serra não fica presa no tronco durante o corte. Siga as instruções apresentadas abaixo.

(Fig. 67)

1. Corte com a corrente a puxar aproximadamente $\frac{1}{3}$ do tronco.
2. Corte a parte restante do tronco com a corrente a empurrar para concluir o corte. (Fig. 68)



ATENÇÃO: Pare o motor se a corrente da serra ficar presa no tronco. Utilize uma alavanca para abrir o corte e retirar o produto. Não tente puxar o produto para fora com a mão. Isto pode resultar em ferimentos quando o produto se desprender repentinamente.

Usar a técnica de desrama

Nota: Para ramos grossos, utilize a técnica de corte. Consulte *Usar a técnica de corte na página 260*.



ATENÇÃO: Existe um risco elevado de acidente se utilizar a técnica de desrama. Consulte a secção *Informação sobre retrocesso na página 260* para obter instruções sobre como impedir o retrocesso.



ATENÇÃO: Corte os ramos um a um. Tenha cuidado ao retirar os ramos pequenos e não corte arbustos ou ramos muito pequenos ao mesmo tempo. Os ramos pequenos podem ficar presos na corrente da serra e impedir um funcionamento seguro do produto.

Nota: Se necessário, corte os ramos por partes. (Fig. 69)

1. Retire os ramos do lado direito do tronco.
 - a) Mantenha a lâmina guia no lado direito do tronco e mantenha o corpo do produto contra o tronco.
 - b) Selecione a técnica de corte aplicável para a tensão no ramo. (Fig. 70)



ATENÇÃO: Se não tiver a certeza sobre como cortar o ramo, fale com um operador de motosserra profissional antes de continuar.

2. Retire os ramos da parte superior do tronco.
 - a) Mantenha o produto no tronco e deixe que a lâmina guia se desloque ao longo do tronco.
 - b) Corte com a corrente a empurrar. (Fig. 71)
3. Retire os ramos do lado esquerdo do tronco.
 - a) Selecione a técnica de corte aplicável para a tensão no ramo. (Fig. 72)



ATENÇÃO: Se não tiver a certeza sobre como cortar o ramo, fale com um operador de motosserra profissional antes de continuar.

Consulte a secção *Cortar árvores e ramos sob tensão na página 263* para obter instruções sobre como cortar ramos sob tensão.

Utilizar a técnica de abate de árvores



ATENÇÃO: O operador tem de ter experiência para abater uma árvore. Se possível, frequente um curso de formação sobre o funcionamento de motosserras.

Fale com um operador com experiência para obter mais conhecimentos.

Manter uma distância segura

1. Certifique-se de que qualquer pessoa que se encontre nas proximidades mantêm uma distância segura de, no mínimo, o comprimento de 2 árvores e meia. (Fig. 73)
2. Confirme que não se encontra ninguém nesta área de risco antes ou durante o abate. (Fig. 74)

Calcular a direção de abate

1. Avalie a direção em que a árvore deve cair. O objetivo no abate é colocar a árvore de um modo tal que a desrama e a traçagem do tronco possam realizar-se de forma simples. Também é importante que o operador esteja numa posição estável e que consiga circular em segurança.



ATENÇÃO: Caso não seja possível ou seja perigoso abater a árvore na sua direção de queda natural, abata a árvore numa direção diferente.

2. Examine a direção da queda natural da árvore. Por exemplo, a inclinação e curvatura da árvore, a direção do vento, a localização dos ramos e o peso da neve.
3. Avalie se existem obstáculos como, por exemplo, outras árvores, cabos de alta tensão, estradas e/ou edifícios.
4. Verifique se existem sinais de danos ou podridão no tronco.



ATENÇÃO: A existência de podridão no tronco pode implicar um risco de queda da árvore antes de concluir o corte.

5. Certifique-se de que a árvore não tem galhos partidos ou "mortos" que se podem romper e feri-lo durante o trabalho de abate.
6. Não deixe que a árvore caia sobre uma árvore que não tenha sido cortada. É perigoso remover uma árvore presa, existindo um risco elevado de acidentes. Consulte *Libertar uma árvore presa na página 263*. (Fig. 75)



ATENÇÃO: Em situações de abate críticas, os protetores acústicos devem ser levantados assim que terminar de serrar. É importante ouvir os sons e sinais de perigo.

Libertar o tronco e preparar o percurso de retirada

Corte todos os ramos a partir da altura dos ombros e para baixo.

1. Corte com a corrente a puxar de cima para baixo. Certifique-se de que a árvore fica entre si e o produto. (Fig. 76)
2. Remova a vegetação rasteira da área de trabalho à volta da árvore. Remova todo o material cortado da área de trabalho.
3. Faça uma verificação da área quanto a eventuais obstáculos, tais como pedras, ramos e orifícios. Tem de ter um percurso de retirada desimpedido quando a árvore começar a cair. O seu percurso de retirada deve ter aproximadamente 135 graus de distância em relação à direção de abate.

1. A zona de perigo
2. O percurso de retirada
3. A direção de abate

(Fig. 77)

Para abater uma árvore

A Husqvarna recomenda que efetue cortes direcionais e que utilize, em seguida, o método de recanto de segurança quando abater uma árvore. O método de recanto de segurança ajuda a efetuar uma linha de rutura correta e controlar a direção de abate.



ATENÇÃO: Não abata árvores com um diâmetro duas vezes maior do que o comprimento da lâmina guia. Para tal, tem de ter uma formação especializada.

Cortes direcionais

1. Efetue os cortes direcionais. A profundidade dos cortes direcionais deve ser de 1/4 do diâmetro da árvore. Faça um ângulo de 45° entre o corte superior e o corte inferior.
 - a) Faça o corte superior em primeiro lugar. Alinhe a marca de direção de abate (A) do produto com a direção de abate da árvore (B). Mantenha-se atrás do produto e mantenha a árvore do seu lado direito. Corte com a corrente a puxar.
 - b) Faça o corte inferior. Certifique-se de que a extremidade do corte inferior está no mesmo ponto da extremidade do corte superior. (Fig. 78)
2. Certifique-se de que a linha de corte direcional é rigorosamente horizontal e em ângulos retos (90°) relativamente à direção de abate. A linha de corte direcional atravessa o ponto onde os dois cortes direcionais se encontram. (Fig. 79)

Corte de abate

Nota: O corte de abate é efetuado no lado oposto da árvore relativamente aos cortes direcionais.

1. Faça o corte de abate a cerca de 3-5 cm/1,5-2 pol. acima dos cortes direcionais inferiores. O corte deve ser rigorosamente horizontal. (Fig. 80)

- Se tiver um apoio para casca, coloque-o atrás da linha de rutura.
- Corte com a corrente a puxar, utilize a potência total e avance lentamente com a corrente da serra/lâmina-guia para a árvore. Certifique-se de que a árvore não cai numa direção indesejada.
- Utilize uma cunha ou barra extratora quando o corte tiver uma profundidade precisa. (Fig. 81)
- Conclua o corte de abate em paralelo com a linha de corte direcional. Certifique-se de que a distância entre ambos é de, no mínimo, 1/10 do diâmetro do tronco. A secção do tronco que não é cortada é a linha de rutura. A linha de rutura controla a direção de abate. (Fig. 82)



ATENÇÃO: O operador não tem qualquer controlo sobre a direção de abate se a linha de rutura desaparecer ou for demasiado fina. Isto também se aplica caso o operador não tenha efetuado os cortes direcionais e o corte de abate corretamente.

(Fig. 83)

- Nesta altura, a árvore cairá devido à sua própria força ou com a ajuda de uma cunha ou barra extratora. (Fig. 84)

Nota: Utilize uma lâmina-guia mais comprida do que o diâmetro da árvore. Isto ajuda a efetuar o corte de abate e os cortes direcionais com um corte cada. Consulte *Acessórios na página 270* para obter mais informações sobre os comprimentos de lâmina recomendados para o seu produto.

(Fig. 85)

Libertar uma árvore presa



ATENÇÃO: É muito perigoso remover uma árvore presa, existindo um risco elevado de acidentes. Mantenha-se fora da zona de risco e não tente abater uma árvore presa.

(Fig. 86)

O procedimento mais seguro é utilizar um dos seguintes guinchos:

- Montado num trator (Fig. 87)
- Portátil (Fig. 88)

Cortar árvores e ramos sob tensão

- Determine qual o lado da árvore ou ramo que se encontra sob tensão.
- Determine a localização do ponto de tensão máxima. (Fig. 89)
- Avalie qual o procedimento mais seguro para libertar a tensão.

Nota: Em algumas situações, o único procedimento seguro é utilizar um guincho e não o produto.

- Mantenha-se numa posição em que a árvore ou ramo não possa feri-lo quando a tensão for libertada. (Fig. 90)
- Faça um ou vários cortes de profundidade suficiente necessária para diminuir a tensão. Corte no ponto de tensão máxima ou próximo do mesmo. Faça com que a árvore ou o ramo parta no ponto de tensão máxima. (Fig. 91)



ATENÇÃO: Não serre de fora a fora uma árvore ou um ramo que se encontre sob tensão.



ATENÇÃO: Tenha muito cuidado ao cortar uma árvore que se encontra sob tensão. Existe o risco de a árvore se deslocar rapidamente antes ou depois de a cortar. Podem ocorrer ferimentos graves se estiver numa posição incorreta ou se cortar indevidamente.

- Se tiver de cortar ao longo da árvore/ramo, faça 2 a 3 cortes, com uma distância de 1 pol. e com uma profundidade de 2 pol. (Fig. 92)
- Continue a cortar a árvore até a árvore/ramo dobrar e a tensão ser libertada. (Fig. 93)
- Corte a árvore/ramo a partir do lado oposto da dobra, após a tensão ser libertada.

Manutenção

Introdução



ATENÇÃO: Certifique-se de que leu e compreendeu o capítulo sobre segurança antes de realizar tarefas de manutenção no produto.

Esquema de manutenção



ATENÇÃO: Retire a bateria antes de iniciar qualquer tarefa de manutenção.

A seguinte lista de tarefas de manutenção tem de ser realizada no produto. Consulte *Manutenção na página 263* para mais informações.

Manutenção	Antes de utilizar	Semanalmente	Mensalmente
Limpe os componentes externos do produto.	X		
Certifique-se de que o interruptor de alimentação e o bloqueio do interruptor de alimentação funcionam corretamente e com segurança.	X		
Limpe o travão da corrente e certifique-se de que funciona em segurança. Certifique-se de que o retentor de corrente não está danificado. Substitua, se necessário.	X		
Rode a lâmina-guia para um desgaste mais uniforme. Certifique-se de que o orifício de lubrificação da lâmina-guia não está obstruído. Limpe a ranhura da lâmina.	X		
Certifique-se de que o cortador e a respetiva proteção não apresentam fissuras e que não estão danificados. Substitua o cortador ou a respetiva proteção se apresentarem fissuras ou se tiverem sido expostos a impacto.	X		
Certifique-se de que a lâmina-guia e a corrente da serra possuem óleo suficiente.	X		
Inspecione a corrente da serra. Verifique se existem fissuras e certifique-se de que a corrente da serra não está rígida ou muito gasta. Proceda à substituição, se necessário.	X		
Afie a corrente da serra. Efetue uma verificação da respetiva tensão e estado. Efetue uma verificação do desgaste no pinhão e, se necessário, substitua.	X		
Limpe a entrada de ar do produto.	X		
Certifique-se de que os parafusos e as porcas estão apertados.	X		
Certifique-se de que o teclado funciona devidamente e não se encontra danificado.	X		
Utilize uma lima para remover quaisquer rebarbas das extremidades da lâmina-guia.		X	
Verifique as ligações entre a bateria e o produto. Verifique a ligação entre a bateria e o carregador da bateria.			X
Esvazie e limpe o depósito de óleo.			X
Sopre ar comprimido através do produto e das ranhuras de refrigeração da bateria.			X

Manutenção e verificação dos dispositivos de segurança no produto

Verificar a proteção dianteira para a mão

Verifique regularmente a proteção dianteira para a mão e a libertação do travão por inércia.

1. Verifique se a proteção dianteira para a mão não está danificada e que não apresenta defeitos como, por exemplo, fissuras. (Fig. 94)
2. Certifique-se de que a proteção dianteira para a mão se move livremente e que está instalada de forma segura ao produto. (Fig. 95)

3. Coloque o produto, com o motor desligado, sobre um cepo ou outra superfície estável.
4. Segure o punho traseiro e solte o punho dianteiro. Deixe que o produto caia contra o cepo. (Fig. 96)
5. Certifique-se de que o travão da corrente é engatado quando a lâmina-guia atingir o cepo.

Verificar o acionamento do travão

1. Coloque o produto numa superfície estável e ligue-o. Consulte o capítulo *Introdução na página 258*.



ATENÇÃO: Certifique-se de que a corrente da serra não toca no chão nem noutros objetos.

2. Envolve os polegares e dedos em torno dos punhos e segure o produto com firmeza. (Fig. 37)
3. Acelere ao máximo e incline o seu pulso esquerdo contra a proteção dianteira para a mão para engatar o travão da corrente. A corrente da serra tem de parar imediatamente. (Fig. 97)



ATENÇÃO: Não solte o punho dianteiro!

Verificar o bloqueio do interruptor de alimentação

1. Certifique-se de que o interruptor de alimentação e o respetivo bloqueio se movem livremente, e que a mola de retorno funciona corretamente. (Fig. 98)
2. Pressione o bloqueio do interruptor de alimentação e certifique-se de que este regressa à sua posição inicial quando libertado. (Fig. 99)
3. Certifique-se de que o interruptor de alimentação está bloqueado na posição de ralenti quando o bloqueio do interruptor de alimentação é libertado. (Fig. 100)
4. Arranque o produto e aplique a potência máxima.
5. Solte o interruptor de alimentação e certifique-se de que a corrente da serra para e permanece parada. Se a corrente da serra rodar com o interruptor de alimentação na posição de ralenti, contacte o seu revendedor com assistência técnica.

Verificar o retentor de corrente

1. Certifique-se de que não existem danos no retentor de corrente.
2. Certifique-se de que o retentor de corrente se encontra estável e fixado ao corpo do produto. (Fig. 41)

Verificar o teclado

1. Ligue o produto. Consulte *Funcionamento na página 258*
2. Prima novamente o botão de arranque/paragem.
3. Certifique-se de que o produto para quando prime sem soltar o botão. O LED verde apaga-se. (Fig. 57)

Verificar a bateria e o compartimento da bateria

1. Limpe a bateria e o compartimento da bateria com um pincel suave. (Fig. 101)
2. Certifique-se de que as aberturas de arrefecimento e os conectores da bateria estão limpos.
3. Certifique-se de que a bateria não está danificada e que não apresenta outros defeitos como, por exemplo, fissuras. (Fig. 102)

Verificar o carregador da bateria

1. Certifique-se de que o carregador da bateria e o cabo da fonte de alimentação não estão danificados. Verifique se existem fissuras e outros defeitos.

Limpar o sistema de arrefecimento

O produto tem um sistema de arrefecimento que mantém a temperatura do produto tão baixa quanto possível.

O sistema de arrefecimento inclui uma entrada de ar no lado esquerdo do produto e uma ventoinha no motor.

1. Limpe o sistema de arrefecimento com uma escova, semanalmente ou com maior frequência se necessário. (Fig. 103)
2. Certifique-se de que o sistema de arrefecimento não está sujo ou obstruído.



CUIDADO: Um sistema de arrefecimento sujo ou obstruído pode provocar o sobreaquecimento do produto. Esta situação provoca danos no pistão e no cilindro.

Para afiar a corrente da serra

Informações sobre a lâmina-guia e a corrente da serra



ATENÇÃO: Use luvas de proteção quando utilizar ou realizar a manutenção da corrente da serra. Uma corrente da serra que não se mova também pode causar ferimentos.

Substitua uma lâmina-guia ou corrente da serra gasta ou danificada pelas combinações de lâmina-guia e corrente da serra recomendadas pela Husqvarna. Isto é necessário para manter as funções de segurança do produto. Consulte *Acessórios na página 270* para obter uma lista das combinações de lâmina e corrente de substituição recomendadas.

- Comprimento de lâmina-guia, pol/cm. As informações sobre o comprimento de lâmina-guia encontram-se normalmente na extremidade traseira da lâmina-guia.(Fig. 104)
- Número de dentes no rolete (T).(Fig. 105)
- Passo da corrente, pol. A distância entre os elos de acionamento da corrente da serra deve estar alinhada com a distância dos dentes no rolete e no pinhão.(Fig. 106)
- Total de elos de condução (unid). O número de ligações de condução é decidido pelo tipo de lâmina-guia.(Fig. 107)
- Largura da ranhura da lâmina, pol./mm. A largura da ranhura na lâmina-guia deve ser igual à largura da ligação de condução da corrente.(Fig. 108)

- Orifício de lubrificação da corrente e orifício da cavilha do esticador da corrente. A lâmina-guia deve ficar alinhada com o produto.(Fig. 109)
- Largura dos elos de acionamento, mm/pol.(Fig. 110)

Informações gerais sobre como afiar os cortadores

Não use uma corrente da serra romba. Se a corrente da serra estiver romba, tem de aplicar mais pressão para empurrar a lâmina-guia através da madeira. Se a corrente da serra estiver demasiado romba, não existirá serradura mas sim serrim.

Uma corrente de serra afiada avança facilmente através da madeira e a serradura torna-se longa e espessa.

O componente cortante da corrente da serra, o cortador, é composto pelo dente de corte (A) e a abertura de corte (B). A diferença de altura entre os dois proporciona a profundidade de corte (definição da abertura de corte).(Fig. 111)

Quando afiar um cortador, lembre-se do seguinte:

- Ângulo de afiação.(Fig. 112)
- Ângulo de corte.(Fig. 113)
- Posição da lima.(Fig. 114)
- Diâmetro da lima redonda.(Fig. 115)

Não é fácil afiar corretamente uma corrente da serra sem o equipamento adequado. Utilize o calibrador de lima Husqvarna. Tal ajudará a manter o máximo desempenho de corte e um risco de retrocesso mínimo.



ATENÇÃO: A força de retrocesso aumenta muito se não seguir as instruções de afiação.

Nota: Consulte *Afiar as cortadoras na página 266* para obter informações sobre a afiação da corrente da serra.

Afiar as cortadoras

1. Utilize uma lima redonda e um calibrador de lima para afiar os dentes de corte. (Fig. 116)

Nota: Consulte *Acessórios na página 270* para obter informações sobre a lima e o calibrador recomendados pela Husqvarna para a corrente da serra.

2. Aplique o calibrador de lima corretamente na cortadora. Consulte as instruções fornecidas com o calibrador de lima.
3. Mova a lima a partir da parte interior dos dentes de corte para fora. Diminua a pressão no movimento de retorno. (Fig. 117)
4. Remova o material de um dos lados de todos os dentes de corte.
5. Rode o produto e remova o material do outro lado.

6. Certifique-se de que todos os dentes de corte têm o mesmo comprimento.

Informações gerais sobre como ajustar a definição da abertura de corte

A definição da abertura de corte (C) diminui quando afia o dente de corte (A). Para manter o desempenho de corte máximo tem de retirar o material de afiação da abertura de corte (B) para receber a definição da abertura de corte recomendada. Consulte *Acessórios na página 270* para obter instruções sobre como receber a definição da abertura de corte correta para a corrente da serra.

(Fig. 118)



ATENÇÃO: O risco de retrocesso aumenta se a definição da abertura de corte for demasiado grande!

Para ajustar a definição da abertura de corte

Antes de ajustar a definição da abertura de corte ou afiar os cortadores, consulte *Afiar as cortadoras na página 266* para obter instruções. Recomendamos que a definição da abertura de corte seja ajustada a cada três operações de afiação dos dentes de corte.

Recomendamos que utilize a nossa ferramenta de abertura de corte para obter a definição e o ângulo corretos para a abertura de corte.

(Fig. 119)

1. Utilize uma lima plana e uma ferramenta de abertura de corte para ajustar a definição da abertura de corte. Utilize apenas a ferramenta de abertura de corte da Husqvarna para obter a definição e o ângulo corretos para a abertura de corte.
2. Coloque a ferramenta de abertura de corte na corrente da serra.

Nota: Consulte a embalagem da ferramenta de abertura de corte para obter mais informações sobre como utilizar a ferramenta.

3. Utilize a lima plana para remover a parte da abertura de corte que se estende ao logo da ferramenta de abertura de corte. (Fig. 120)

Apertar a corrente da serra



ATENÇÃO: Uma corrente da serra sem a tensão correta pode soltar-se da lâmina-guia e provocar ferimentos graves ou morte.

Quanto mais usar uma corrente da serra, mais comprida fica. É importante ajustar a corrente da serra regularmente.

Faça uma verificação da tensão da corrente da serra sempre que reabastecer com óleo de corrente.

Nota: Uma corrente da serra nova requer um período de rodagem, durante o qual se deve verificar a tensão da corrente mais frequentemente.

1. Rode o manípulo para fora até abrir. (Fig. 121)
2. Rode o manípulo para a esquerda para desapertar a cobertura do pinhão. (Fig. 122)
3. Rode a roda tensora da corrente para ajustar a tensão da corrente da serra. A corrente da serra deve ser apertada contra a lâmina-guia. (Fig. 123)

Nota: Rode a roda para baixo (+) para obter mais tensão e para cima (-) para reduzir a tensão. A corrente da serra está bem apertada quando é possível rodá-la facilmente com a mão, mas fica apertada contra a lâmina-guia.

4. Rode o manípulo para a direita para apertar o manípulo da lâmina. (Fig. 124)
5. Rode o manípulo para baixo para bloquear a tensão. (Fig. 125)

Para verificar a lubrificação da corrente da serra

Verifique a lubrificação da corrente da serra a cada três carregamentos de bateria.

1. Arranque o produto e deixe-o a trabalhar a 3/4 da potência. Mantenha a lâmina aproximadamente 20 cm (8 polegadas) sobre uma superfície de cor clara.
2. Se a lubrificação da corrente da serra estiver correta, verá uma linha de óleo na superfície após 1 minuto. (Fig. 126)
3. Se a lubrificação da corrente da serra não estiver correta, efetue as seguintes verificações.
 - a) Verifique se o canal de óleo na lâmina-guia não está bloqueado. Limpe-a se for necessário. (Fig. 127)
 - b) Verifique se a ranhura na extremidade da lâmina-guia está limpa. Limpe-a se for necessário. (Fig. 128)
 - c) Certifique-se de que o pinhão da ponta da lâmina roda facilmente e que o orifício de lubrificação do pinhão da ponta da lâmina-guia não está obstruído. Limpe e lubrifique se necessário. (Fig. 129)
4. Se a lubrificação da corrente da serra não funcionar depois de seguir os passos anteriores, contacte o seu revendedor com assistência técnica.

Efetuar a manutenção do pinhão da corrente

O sistema de acionamento tem um pinhão.

(Fig. 130)

Realize os seguintes trabalhos de manutenção no pinhão da corrente:

1. Verifique regularmente o nível de desgaste do pinhão. Substitua o pinhão da corrente em caso de desgaste excessivo.
2. Substitua o pinhão quando substituir a corrente da serra.

Para examinar o equipamento de corte

1. Certifique-se de que não existem fissuras nos rebites e nas ligações e que os rebites não estão soltos. Substitua, se necessário. (Fig. 131)
2. Certifique-se de que é fácil dobrar a corrente da serra. Se estiver rígida, substitua a corrente da serra.
3. Compare a corrente da serra existente com uma corrente da serra nova para verificar se os rebites e os elos apresentam desgaste.
4. Substitua a corrente da serra, se a parte mais longa do dente de corte for inferior a 4 mm/0,16 pol. Substitua também a corrente da serra se existirem fissuras nos cortadores. (Fig. 132)

Verificar a lâmina-guia

1. Certifique-se de que o canal de óleo não está obstruído. Limpe se for necessário. (Fig. 127)
2. Verifique se existem rebarbas nas extremidades da lâmina-guia. Retire as rebarbas com uma lima. (Fig. 133)
3. Limpe a ranhura na lâmina-guia. (Fig. 128)
4. Verifique se a ranhura na lâmina-guia apresenta sinais de desgaste. Se necessário, substitua a lâmina-guia. (Fig. 134)
5. Verifique se a ponta da lâmina-guia está irregular ou muito desgastada. (Fig. 135)
6. Certifique-se de que o rolete da lâmina roda facilmente e que o orifício de lubrificação do rolete da lâmina não está obstruído. Limpe e lubrifique se necessário. (Fig. 129)
7. Rode a lâmina-guia diariamente de modo a aumentar o respetivo ciclo de vida. (Fig. 136)

Resolução de problemas

Esquema de resolução de problemas

Tabela

Códigos de avaria possíveis no teclado do produto.

Ecrã LED	Avarias possíveis	Acção possível
Indicador de aviso intermitente.	Travão da corrente acionado.	Puxe a protecção anti-retrocesso para trás, para libertar o travão da corrente.
	Desvio de temperatura.	Permita que o produto arrefeça.
	Sobrecarga. O equipamento de corte está encravado.	O acessório de corte está obstruído. Solte o acessório de corte.
	O interruptor de alimentação e o botão de activação devem ser premidos ao mesmo tempo.	Solte o interruptor de alimentação para que o produto esteja ativo.
LED verde activado intermitente.	Tensão da bateria baixa.	Carregue a bateria.
Indicador de aviso aceso.	Serviço.	Contacte o seu revendedor com assistência técnica.

Tabela

Resolução de problemas da bateria e/ou do carregador da bateria durante o carregamento.

Ecrã LED	Avarias possíveis	Acção possível
Indicador de aviso intermitente.	A bateria está descarregada.	Carregue a bateria.
	Desvio de temperatura.	Utilize a bateria em ambientes em que as temperaturas se encontrem entre -10 °C/14 °F e 40 °C/104 °F.
	Sobretensão.	Verifique se a tensão da rede elétrica coincide com a indicada na etiqueta de tipo do produto. Retire a bateria do carregador da bateria.
Indicador de aviso aceso.	Diferença entre células demasiado elevada (1 V).	Contacte o seu revendedor com assistência técnica.

Tabela

Ecrã LED	Avarias possíveis	Ação possível
Indicador de aviso intermitente.	Desvio de temperatura.	Utilize a bateria em ambientes em que as temperaturas se encontrem entre 5 °C/41 °F e 40 °C/104 °F.
Indicador de aviso aceso.		Contacte o seu revendedor com assistência técnica.

Transporte, armazenamento e eliminação

Transporte e armazenamento

- As baterias de iões de lítio fornecidas cumprem os requisitos da legislação sobre mercadorias perigosas.
- Cumpra o requisito especial sobre a embalagem e as etiquetas de transporte comercial, incluindo por terceiros e agentes transitários.
- Contacte uma pessoa com formação específica em material perigoso antes de enviar o produto. Cumpra todos os regulamentos nacionais aplicáveis.
- Utilize fita em contactos abertos quando colocar a bateria numa embalagem. Coloque a bateria na embalagem de forma fixa para impedir movimentos.
- Retire sempre a bateria para armazenamento ou transporte.
- Coloque a bateria e o carregador da bateria num espaço seco e sem humidade ou gelo.
- Não armazene a bateria numa área onde possa haver eletricidade estática. Não armazene a bateria numa caixa metálica.
- Coloque a bateria num local onde a temperatura varie entre 5 °C/41 °F e 25 °C/77 °F e esteja afastado da exposição à luz solar.
- Coloque o carregador da bateria num local onde a temperatura varie entre 5 °C/41 °F e 45 °C/113 °F e esteja afastado da exposição à luz solar.
- Utilize o carregador da bateria apenas quando a temperatura ambiente se encontrar entre os 5 °C/41 °F e os 40 °C/104 °F.
- Carregue a bateria entre 30% a 50% antes de a armazenar durante longos períodos de tempo.

- Armazene o carregador da bateria num espaço fechado e seco.
- Mantenha a bateria afastada do carregador da bateria durante o armazenamento. Não permita que crianças e outras pessoas não autorizadas entrem em contacto com o equipamento. Mantenha o equipamento num espaço que possa trancar.
- Antes de armazenar o produto durante longos períodos de tempo, limpe-o e efetue uma manutenção completa do mesmo.
- Utilize a proteção para transporte no produto para evitar ferimentos ou danos no produto durante o transporte e o armazenamento.
- Fixe o produto em segurança durante o transporte.

Eliminação da bateria, do carregador da bateria e do produto

O símbolo abaixo significa que o produto não é um resíduo doméstico. Recicle o equipamento numa estação de reciclagem para equipamentos elétricos e eletrónicos. Isto ajuda a evitar danos no ambiente e em pessoas.

Para obter mais informações, contacte as autoridades locais, o serviço de recolha de resíduos domésticos ou o seu revendedor.

(Fig. 2v)

Nota: O símbolo aparece no produto ou na embalagem do produto.

Especificações técnicas

Especificações técnicas

	120i
Plataforma	CS100EU

	120i
Motor	
Tipo	BLDC (sem escova) 36V
Características	
Modo de baixa energia	savE
Sistema de lubrificação	
Tipo de bomba de óleo	Automático
Capacidade do depósito de óleo, litros	0,20
Peso	
Motosserra sem bateria, lâmina-guia, corrente da serra e depósito de óleo de corrente vazio, kg	2,95
Emissões de ruído ³¹	
Nível de potência sonora, dB(A) medidos	98
Nível de potência sonora, garantido L_{WA} dB(A)	101
Níveis acústicos ³²	
Nível de pressão sonora equivalente ao nível do ouvido do operador, dB(A)	88
Níveis de vibração ³³	
	3,8
Corrente da serra/lâmina-guia	
Comprimentos de lâmina recomendados, pol/cm	12/30
Comprimento de corte efectivo, pol/cm	10/26
Tipo de pinhão/n.º de dentes	Spur/6
Velocidade da corrente máxima / (savE), m/s	11,5 (10)

Acessórios

Combinações de lâminas-guia e correntes da serra

Os seguintes acessórios de corte foram aprovados para Husqvarna 120i.

³¹ Emissões de ruído para as imediações, medidas sob forma de potência sonora (L_{WA}) em conformidade com a diretiva da CE 2000/14/CE.

³² O nível de pressão sonora equivalente, segundo a norma ISO 22868, é calculado como a soma energética dos diferentes níveis de pressão sonora ponderados no tempo, em diferentes condições de funcionamento. A dispersão estatística típica de pressão sonora equivalente é um desvio padrão de 2,5 dB (A).

³³ O nível de vibração declarado é referente à pega com os valores mais elevados. A dispersão estatística típica do nível de vibração é de 1,5 m/s.


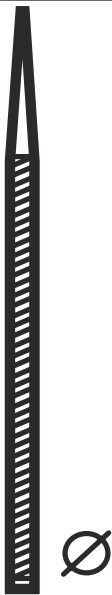
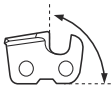


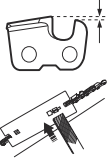
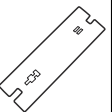

Barra guia				Corrente da serra	
Comprimento, pol.	Passo da corrente, pol.	Largura do sulco, mm	Raio máx. da extremidade	Tipo	Comprimento, elos de acionamento (n.º)
12	3/8	1,1	7T	Husqvarna H38	45

Equipamento e ângulos de afiação

Se usar o calibrador de lima da Husqvarna, irá obter os ângulos de afiação corretos. Recomendamos usar sempre um calibrador de lima da Husqvarna para recuperar o gume afiado da corrente da serra. Poderá

encontrar os números de peça correspondentes na tabela abaixo.

Se não souber qual é a corrente da serra que possui no seu produto, contacte o seu revendedor com assistência técnica.

							
38	11/64 pol./ 4,5 mm	75°	30°	0°	0,025 pol./ 0,65 mm	5056981-03	5795588-01

Baterias aprovadas

Utilize apenas baterias BLI Husqvarna originais neste produto.

Baterias aprovadas para o produto

Bateria	BLI20		BLI22	
Tipo	lões de lítio		lões de lítio	
Capacidade da bateria, Ah	4,2 (VTC4)	4 (HD2)	4,2 (VTC4)	4,0 (EVE 20P)

Bateria	BLi20		BLi22	
	Tensão, V	36	36,5	36
Peso, kg	2,6/1,2	2,6/1,2	2,6/1,2	2,6/1,2

Carregadores de bateria aprovados para o produto

Carregador da bateria	QC80
Tensão de corrente elétrica, V	100-240
Frequência, Hz	50-60
Potência, W	100
Tensão de saída, V CC/ Amps, A	36/2

Declaração CE de conformidade

Declaração de conformidade CE

Husqvarna AB, SE-561 82 Huskvarna, Sweden, tel.: +46-36-146500, declara, sob sua inteira responsabilidade, que a motosserra a bateria sem fios **Husqvarna 120i (Plataforma CS100EU)** com os números de série de 2016 e seguintes (o ano está claramente indicado na etiqueta de tipo, seguido do número de série) se encontram em conformidade com os requisitos estipulados nas DIRETIVAS DO CONSELHO:

- de 17 de maio de 2006, "referente a máquinas" **2006/42/CE**.
- de 26 de fevereiro de 2014, "referente à compatibilidade eletromagnética", **2014/30/UE**.
- de 8 de junho de 2011 relativa à "restrição do uso de determinadas substâncias perigosas" **2011/65/UE**
- de 8 de maio de 2000, "referente a emissões de ruído para o ambiente" **2000/14/CE**.

Foram respeitadas as seguintes normas: **EN 60745-1:2009+A11:2010, EN 60745-2-13:2009+A1:2010, EN 55014-1:2006+A1:2009+A2:2011, EN 61000-4-2:2009, EN 61000-4-3:2006+A1:2008, EN IEC63000:2018.**

Entidade competente: A TÜV Rheinland LGA Products GmbH, Tillystrasse 2, D-90431 Nuernberg, Germany, 0197, executou um exame de tipo CE, em conformidade com a Diretiva das Máquinas (2006/42/CE) art. 12.º, cláusula 3b.

O certificado tem o número: **BM 50356394 0001**

A motosserra fornecida encontra-se em conformidade com o exemplar submetido ao exame de tipo CE.

Para mais informações sobre as emissões de ruído, consulte a secção *Especificações técnicas na página 269*.

Huskvarna, 20181031



Pär Martinsson, Chefe de Desenvolvimento
(representante autorizado da Husqvarna AB e responsável pela documentação técnica).



www.husqvarna.com

Original instructions
Bruksanvisning i original
Originale instruktioner
Originale instruksjoner
Alkuperäiset ohjeet
Originalanweisungen

Instructions d'origine
Originale instructies
Istruzioni originali
Instrucciones originales
Instruções originais

1140412-38



2021-10-25