



# Husqvarna®



## Soff-Cut 150, Soff-Cut 150 D

EN	Operator's manual	2-33
DE	Bedienungsanweisung	34-66
FR	Manuel d'utilisation	67-99
NL	Gebruiksaanwijzing	100-131

---

## Contents

---

Introduction.....	2	Troubleshooting.....	22
Safety.....	6	Transportation, storage and disposal.....	25
Assembly.....	11	Technical data.....	28
Operation.....	12	Declaration of Conformity.....	32
Maintenance.....	15		

---

## Introduction

---

### Product description

The product is a gasoline powered walk-behind floor saw for concrete.

### Intended use

The product is for professional operation only.

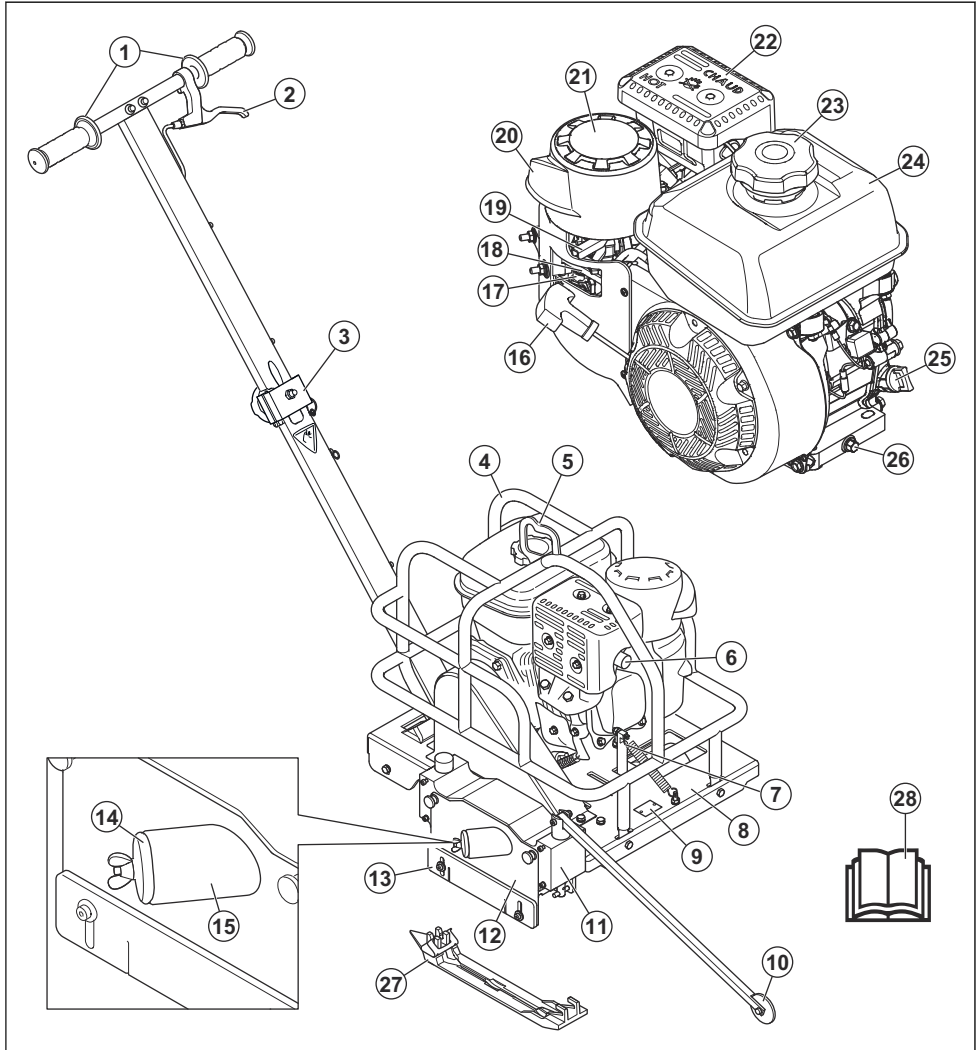
The Soff-Cut 150 is used for sawing of contraction joints in the Ultra Early Stage of concrete.

The Soff-Cut 150D is used after the initial cut. It used on decorative cuts, driveways and parking lots.

The product is for outdoor operation only.

Do not use the product for other tasks.

# Product overview Soff-Cut 150

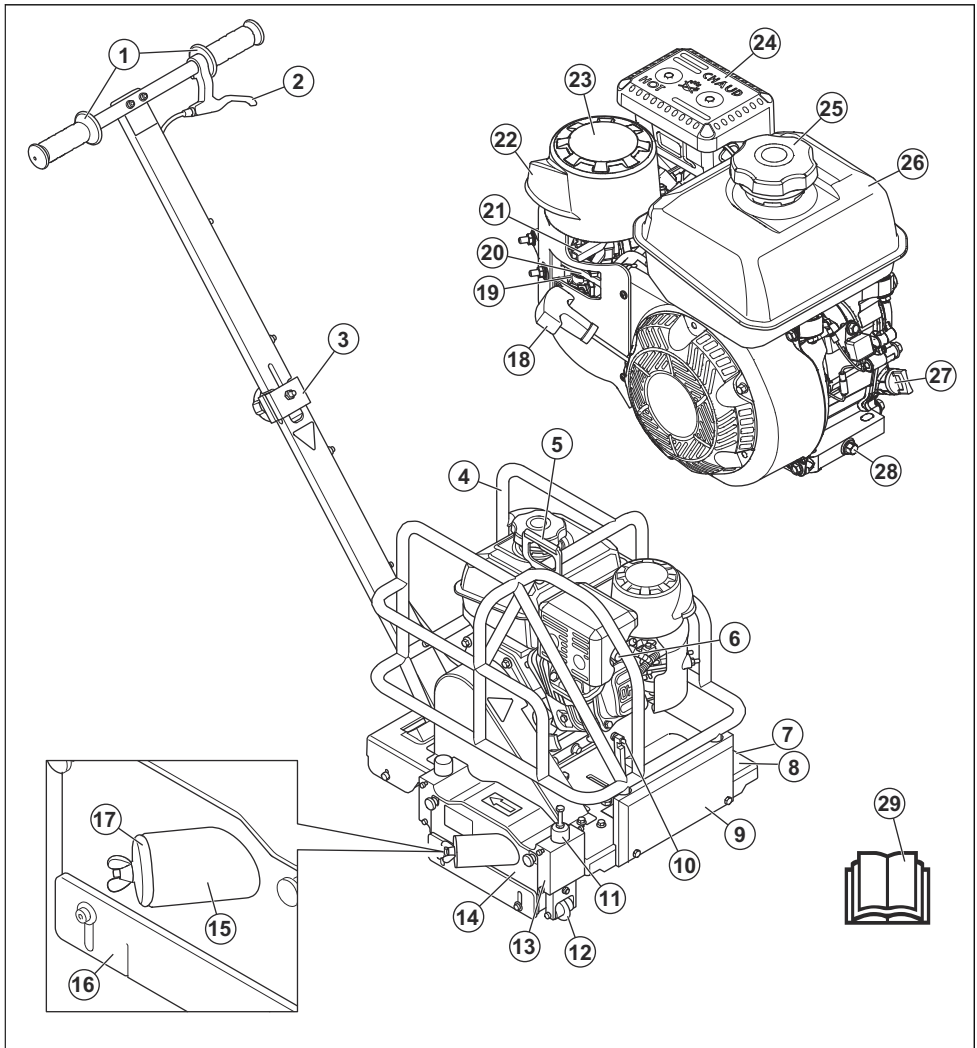


- |                                 |  |
|---------------------------------|--|
| 1. Operator handles             | 11. Blade block                            |
| 2. Blade release lever          | 12. Blade block cover                      |
| 3. Locking clamp for the handle | 13. Lexan™ cover                           |
| 4. Safety frame                 | 14. Plug for the dust extractor connection |
| 5. Lift point                   | 15. Dust extractor connection              |
| 6. Exhaust outlet               | 16. Starter rope handle                    |
| 7. Depth stop adjustment        | 17. Fuel valve and Engine ON/OFF switch    |
| 8. Saw frame                    | 18. Choke control                          |
| 9. Type plate                   | 19. Throttle trigger                       |
| 10. Front pointer               | 20. Air cleaner inlet                      |
|                                 | 21. Air filter                             |
|                                 | 22. Fuel tank                              |
|                                 | 23. Fuel cap                               |
|                                 | 24. Fuel tank cover                        |
|                                 | 25. Spark plug                             |
|                                 | 26. Spark plug cap                         |
|                                 | 27. Chain                                  |
|                                 | 28. User manual                            |

- 21. Air filter cover
- 22. Muffler cover
- 23. Fuel tank cap
- 24. Fuel tank

- 25. Dipstick/oil tank
- 26. Oil drain plug
- 27. Skid plate (not included)
- 28. Operator's manual

## Product overview Soff-Cut 150D



- 1. Operator handles
- 2. Blade release lever
- 3. Locking clamp for the handle
- 4. Safety frame
- 5. Lift point
- 6. Exhaust outlet

- 7. Type plate
- 8. Saw frame
- 9. Counterweight
- 10. Plunge adjustment screw
- 11. Depth stop adjustment screw
- 12. Front pointer wheel

13. Blade block
14. Blade block cover
15. Dust extractor connection
16. Lexan™ cover
17. Plug for the dust extractor connection
18. Starter rope handle
19. Fuel valve and Engine ON/OFF switch
20. Choke control
21. Throttle trigger
22. Air cleaner inlet
23. Air filter cover
24. Muffler cover
25. Fuel tank cap
26. Fuel tank
27. Dipstick/oil tank
28. Oil drain plug
29. Operator's manual

## Symbols on the product



**WARNING:** Be careful and use the product correctly. This product can cause serious injury or death to the operator or others.



Read the operator's manual carefully and make sure that you understand the instructions before you use this product.



Use hearing protection, eye protection and respiratory protection. Refer to *Personal protective equipment* on page 8.



All displacement of the machine outside the cutting area shall be carried out with the tool not in rotation.



Risk of cut injuries. Keep all body parts away from the cutting blade.



The dust can cause health problems. Use an approved respiratory protection. Do not breathe exhaust fumes. Do not use a combustion engine product indoors or in areas that do not have sufficient airflow.



Risk of pinching. Keep body parts away from moving parts.



Keep body parts away from the cutting blade and other moving parts.



The arrow on the blade guard shows the direction of rotation of the cutting blade.



Always stop the engine and let it become cool before you refuel.



Unleaded gasoline with a maximum of 10% ethanol.



Explosive fuel can cause fires and serious burn injuries.



Always stop the engine before you fill the fuel tank. Keep 16 mm (5/8 in.) at the top of the fuel tank to let the expand. Read the Operator's Manual and the Kohler engine manual.



Hot muffler, do not touch



ON



OFF



Fill engine oil to correct level.



Read and understand the manual for the dust extractor.



To lift the product, attach lifting equipment to the lift point on the product.



Release the handle to lower the blade by gravity. To prevent damage to the blade, hold the product tightly and lower the blade carefully.



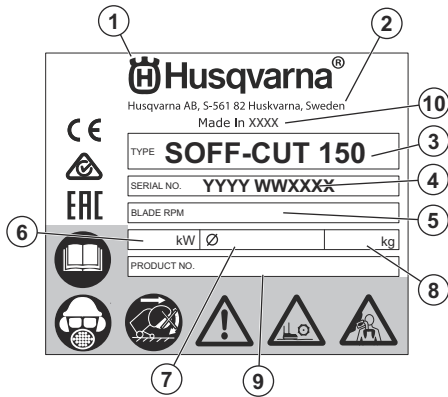
This product complies with applicable EU Directives.



Noise emission to the environment complies with applicable EC Directives. The noise emission of the product is specified in *Technical data on page 28* and on the label.

**Note:** Other symbols/decals on the product refer to certification requirements for other commercial areas.

## Type plate



1. Manufacturer

2. Manufacturer address
3. Model
4. Serial number: production year, production week and sequence number
5. Blade rpm
6. Engine power
7. Maximum blade dimension
8. Product weight
9. Product number
10. Country of production

## Product liability

As referred to in the product liability laws, we are not liable for damages that our product causes if:

- the product is incorrectly repaired.
- the product is repaired with parts that are not from the manufacturer or not approved by the manufacturer.
- the product has an accessory that is not from the manufacturer or not approved by the manufacturer.
- the product is not repaired at an approved service center or by an approved authority.

## Safety

### Safety definitions

Warnings, cautions and notes are used to point out specially important parts of the manual.



**WARNING:** Used if there is a risk of injury or death for the operator or bystanders if the instructions in the manual are not obeyed.



**CAUTION:** Used if there is a risk of damage to the product, other materials or the adjacent area if the instructions in the manual are not obeyed.

**Note:** Used to give more information that is necessary in a given situation.

### General safety instructions



**WARNING:** Read the warning instructions that follow before you use the product.

- This product is a dangerous tool if you are not careful or if you use the product incorrectly. This product can cause serious injury or death to the operator or others. Before you use the product, you must read and understand the contents of this operator's manual.
- Save all warnings and instructions.

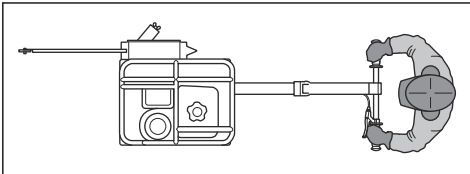
- Comply with all applicable laws and regulations.
- The operator and the employer of the operator must know and prevent the risks during operation of the product.
- Do not let a person operate the product unless they read and understand the contents of the operator's manual.
- Do not operate the product unless you receive training before use. Make sure that all operators receive training.
- Do not let a child operate the product.
- Only let approved persons operate the product.
- The operator is responsible for accidents that occur to other persons or their property.
- Do not use the product if you are tired, ill, or under the influence of alcohol, drugs or medicine.
- Always be careful and use your common sense.
- This product produces an electromagnetic field during operation. This field can under some circumstances interfere with active or passive medical implants. To decrease the risk of serious injury or death, we recommend persons with medical implants to speak to their physician and the medical implant manufacturer before operating this product.
- Keep the product clean. Make sure that you can clearly read signs and decals.
- Do not use the product if it is defective.
- Do not do modifications to this product.
- Do not operate the product if it is possible that other persons have done modifications to the product.

## Safety instructions for operation



**WARNING:** Read the warning instructions that follow before you use the product.

- Read the warning instructions that are supplied with the cutting blade by the cutting blade manufacturer.
- Make sure that the product is assembled correctly.
- Do not operate the product without the blade guard and the protective covers installed.
- Incorrect operation of the product can cause the cutting blade to break and cause injury or damage.
- Make sure that you know how to stop the engine quickly in an emergency.
- Use personal protective equipment. Refer to *Personal protective equipment on page 8*.
- Keep a safe distance from the cutting blade when the engine is on. Do not try to stop a rotating blade with a part of your body. To touch a rotating blade, although the engine is off, can result in serious injury or death.
- Make sure that only approved persons are in the work area.
- Make sure that electrical cables in the work area are not live.
- Keep the work area clean and bright.
- Only operate the product from behind with your hands on the handle



- Make sure that you are in a safe and stable position during operation.
- Before you go away from the product, stop the engine and make sure that there is no risk of accidental start.
- The product does not have a parking brake. Do not go away from the product if it is on a slope. If it is necessary to park the product on a slope, make sure that the product is sufficiently attached and cannot move.
- Be very careful during operation on slopes. The product is heavy and can cause serious injury if it falls.
- Make sure that no material can become loose and cause injury to the operator.
- Make sure that clothes, long hair and jewelry do not get caught in moving parts.
- Do not sit or stand on the product.
- Stay away from the blade path while the engine is on.

- Do not operate the product unless you can get aid if an accident occurs.
- Do not use the product for transportation of persons or equipment.
- Do not put your feet on the product.
- Make sure that the blade does not touch the ground or an other surface when the product is moved.
- Do not operate the product with too much load. Overload can cause damage to the product.

## Work area safety



**WARNING:** Read the warning instructions that follow before you use the product.

- The product can cause objects to eject at high speed. Make sure that all persons in the work area use approved personal protective equipment. Refer to *Personal protective equipment on page 8*. Remove loose objects from the work area.
- Make sure that animals and bystanders are not in the work area.
- Do not operate the product until the work area is clear and your feet and body are in a stable position.
- Look out for persons, objects and situations that can prevent safe operation of the product.
- Make sure that no persons or objects can come into contact with the cutting equipment or be hit by parts thrown by the blade.
- Do not use the product in fog, rain, strong winds, cold weather, risk of lightning or other bad weather conditions. To use the product in bad weather can have a negative effect on your alertness. Bad weather can cause dangerous work conditions, such as slippery surfaces.
- During operation of the product, make sure that no material can become loose and fall and cause injury to the operator.
- Be very careful when you operate the product on a slope.
- Keep the work area clean and bright.
- Before you operate the product, find out if there are hidden hazards such as electrical cables, water, and gas pipes and flammable substances in the work area. If the product hits a hidden object, stop the engine immediately and examine the product and the object. Do not start to operate the product again until you know that it is safe to continue.
- Before you cut into a drum, a pipe, or other container, make sure that it does not contain flammable or other material that can cause fire or explosion.
- Do not operate the product in areas where fire or explosions can occur.

## Personal protective equipment



**WARNING:** Read the warning instructions that follow before you use the product.

- Always use approved personal protective equipment when you operate the product. Personal protective equipment cannot fully prevent injury but it decreases the degree of injury if an accident does occur. Let your dealer help you select the correct personal protective equipment.
- Regularly do a check of the condition of the personal protective equipment.
- Use an approved protective helmet.
- Use approved hearing protection.
- Use approved respiratory protection.
- Use approved eye protection with side protection. There is a high risk of eye injury from thrown objects.
- Use protective gloves.
- Use boots with steel toe-cap and non-slip sole.
- Use approved work clothing or equivalent close-fitting clothing that has long sleeves and long legs.

### Fire extinguisher

- Keep a fire extinguisher near during operation.
- Use a powder fire extinguisher of "ABE" class or a carbon dioxide fire extinguisher of "BE" type.

## Safety devices on the product

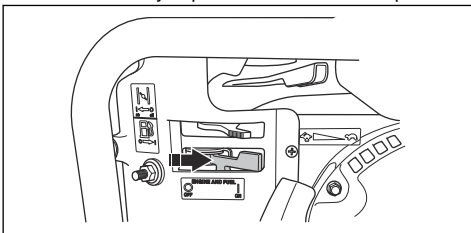


**WARNING:** Read the warning instructions that follow before you use the product.

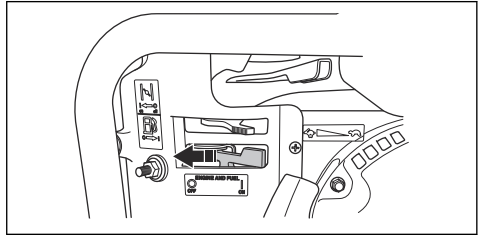
- Do not use a product with defective safety devices. Do a check of the safety devices regularly. If the safety devices are defective, speak to your Husqvarna service agent.
- Do not make modifications on safety devices. Do not use the product if protective plates, protective covers, safety switches or other protective devices are not attached or are defective.

### To do a check of the ON/OFF switch

- Make sure that the engine starts and the blade starts to rotate when you put the switch in the ON position.

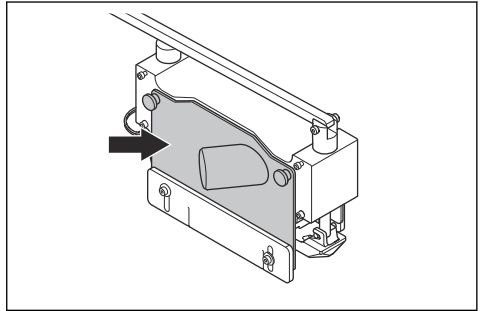


- Make sure that the engine stops immediately when you put the switch in the OFF position.



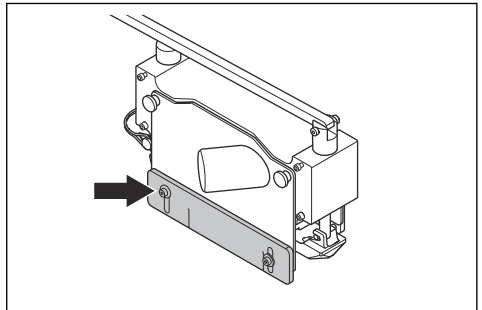
### Blade block guard

The blade block guard gives protection from the rotating blade and keeps dust away from the operator.



### Lexan™ cover

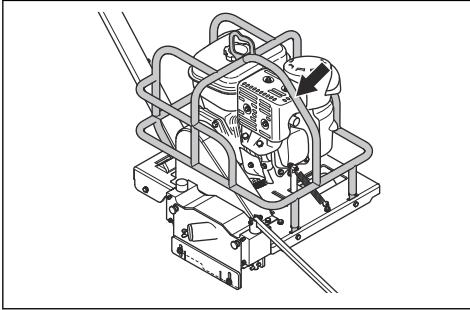
The Lexan™ cover keeps dust away from the operator. It also prevents that particles eject. Make sure that the Lexan™ cover moves freely up and down.





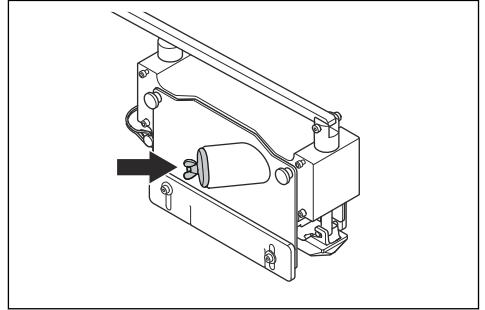
### Safety frame

The safety frame prevents damage to the equipment and the engine, and prevents injury to the operator.



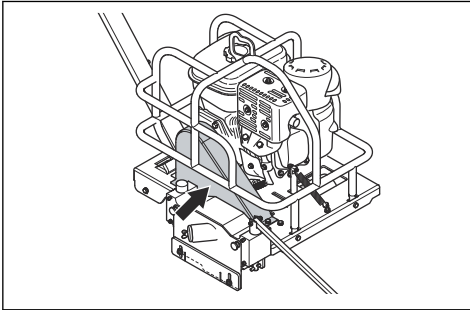
### Plug to dust extractor connection

Always use the plug if the product is not connected to a dust extractor.



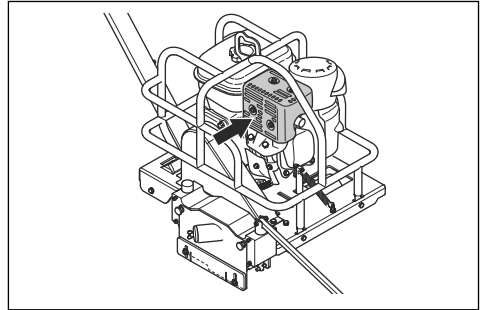
### Belt guard

The belt guard gives protection from the blade shaft sheave and the belt.



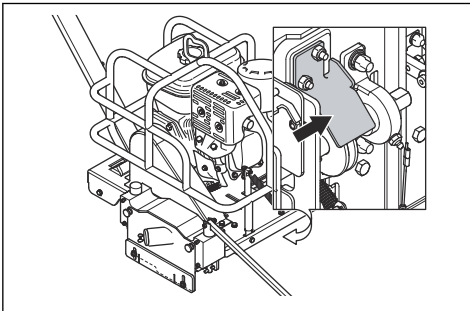
### Muffler guard

The muffler guard prevents burn injury from the hot muffler.



### Sheave guard

The sheave guard gives protection from the blade shaft sheave.



### To examine the protective guards

1. Examine the blade block and the blade block guard, the Lexan™ cover, the sheave guard, the safety frame, the belt guard and the plug for damage.
2. Replace the protective guards if they are damaged.
3. Make sure that the protective guards are correctly attached before you start the product.

### Fuel safety



**WARNING:** Read the warning instructions that follow before you use the product.

- Fuel is flammable and the fumes are explosive. Be careful with fuel to prevent injury, fire and explosion.
- Do not breathe in the fuel fumes. The fuel fumes are poisonous and can cause injury. Make sure that the airflow is sufficient.
- Do not remove the fuel tank cap or fill the fuel tank when the engine is on.
- Let the engine become cool before you refuel.

- Do not fill fuel in an indoor area. Not sufficient airflow can cause injury or death because of asphyxiation or carbon monoxide.
- Do not smoke near the fuel or the engine.
- Do not put hot objects near the fuel or the engine.
- Do not fill fuel near sparks or flames.
- Before you refuel, open the fuel tank cap slowly and release the pressure carefully.
- Fuel on your skin can cause injury. If you get fuel on your skin, use soap and water to remove the fuel.
- If you spill fuel on your clothing, change clothing immediately.
- Do not fill the fuel tank fully. Heat causes the fuel to expand. Keep a space at the top of the fuel tank.
- Tighten the fuel tank cap fully. If the fuel tank cap is not tightened, there is a risk of fire.
- Before you start the product, move the product to a minimum of 3 m/10 ft from where you refueled.
- Do not start the product if there is fuel or engine oil on the product. Remove the unwanted fuel and engine oil and let the product dry before you start the engine.
- Examine the engine for leaks regularly. If there are leaks in the fuel system, do not start the engine until the leaks are repaired.
- Do not use your fingers to examine the engine for leaks.
- Keep fuel in approved containers only.
- When the product and fuel is in storage, make sure that fuel and fuel fumes cannot cause damage.
- Drain the fuel in an approved container outdoors and away from sparks and flames.

### Exhaust fumes safety



**WARNING:** Read the warning instructions that follow before you use the product.

- The exhaust fumes from the engine contain carbon monoxide which is an odourless, poisonous and very dangerous gas. To breathe carbon monoxide can cause death. Because carbon monoxide is odourless and cannot be seen, it is not possible to sense it. A symptom of carbon monoxide poisoning is dizziness, but it is possible that a person becomes unconscious without warning if the quantity or concentration of carbon monoxide is sufficient.
- Exhaust fumes also contain unburned hydrocarbons including benzene. Long-term inhalation can cause health problems.
- Exhaust fumes that you can see or smell also contain carbon monoxide.
- Do not use a combustion engine product indoors or in areas that do not have sufficient airflow.
- Do not breathe the exhaust fumes.
- Make sure that the airflow in the work area is sufficient. This is very important when you operate

the product in trenches or other small work areas where exhaust fumes can easily collect.

### Vibration safety



**WARNING:** Read the warning instructions that follow before you use the product.

- During operation of the product, vibrations go from the product to the operator. Regular and frequent operation of the product can cause or increase the degree of injuries to the operator. Injuries can occur in fingers, hands, wrists, arms, shoulders, and/or nerves and blood supply or other body parts. The injuries can be debilitating and/or permanent, and can increase gradually during weeks, months or years. Possible injuries include damage to the blood circulation system, the nervous system, joints, and other body structures.
- Symptoms can occur during operation of the product or at other times. If you have symptoms and continue to operate the product, the symptoms can increase or become permanent. If these or other symptoms occur, get medical aid:
  - Numbness, loss of feeling, tingling, pricking, pain, burning, throbbing, stiffness, clumsiness, loss of strength, changes in skin color or condition.
- Symptoms can increase in cold temperatures. Use warm clothing and keep your hands warm and dry when you operate the product in cold environments.
- Do maintenance on and operate the product as given in the operator's manual, to keep a correct vibration level.
- The product has a vibration damping system that decreases the vibrations from the handles to the operator. Let the product do the work. Do not push the product with force. Hold the product at the handles lightly, but make sure that you control the product and operate it safely. Do not push the handles into the end stops more than necessary.
- Keep your hands on the handle or handles only. Keep all other body parts away from the product.
- Stop the product immediately if strong vibrations suddenly occurs. Do not continue the operation before the cause of the increased vibrations is removed.

### Dust safety



**WARNING:** Read the warning instructions that follow before you use the product.

- Operation of the product can cause dust in the air. Dust can cause serious injury and permanent health problems. Silica dust is regulated as harmful by several authorities. These are examples of such health problems:

- The fatal lung diseases chronic bronchitis, silicosis and pulmonary fibrosis
- Cancer
- Birth defects
- Skin inflammation
- Use correct equipment to decrease the quantity of dust and fumes in the air and to decrease dust on work equipment, surfaces, clothing and body parts. Examples of controls are dust collection systems and water sprays to bind dust. Decrease dust at the source where possible. Make sure that the equipment is correctly installed and used and that regular maintenance is done.
- Use approved respiratory protection. Make sure that the respiratory protection is applicable for the dangerous materials in the work area.
- Make sure that the airflow is sufficient in the work area.
- If it is possible, point the exhaust of the product where it cannot cause dust to go into the air.

## Noise safety



**WARNING:** Read the warning instructions that follow before you use the product.

- High noise levels and long-term exposure to noise can cause noise-induced hearing loss.
- To keep the noise level to a minimum, do maintenance on and operate the product as given in the operator's manual.
- Examine the muffler for damages and defects. Make sure that the muffler is correctly attached to the product.
- Use approved hearing protection while you operate the product.
- Listen for warning signals and voices when you use hearing protection. Remove the hearing protection when the product is stopped, unless hearing

protection is necessary for the noise level in the work area.

## Safety instructions for maintenance



**WARNING:** Read the warning instructions that follow before you use the product.

- Use personal protective equipment. Refer to *Personal protective equipment on page 8*.
- If the maintenance is not done correctly and regularly, the risk of injury and damage to the product increases.
- Stop the engine and let the product become cool before you do the maintenance.
- Clean the product to remove dangerous material before you do the maintenance.
- Disconnect the spark plug cap before you do the maintenance.
- The exhaust fumes from the engine are hot and can contain sparks. Do not operate the product in indoor areas or near flammable material.
- Do not change the product. Modifications that are not approved by the manufacturer, can cause serious injury or death.
- Always use original accessories and spare parts. Accessories and spare parts that are not approved by the manufacturer, can cause serious injury or death.
- Replace damaged, worn or broken parts.
- Only do the maintenance as given in this operator's manual. Let an approved service center do all other servicing.
- Remove all tools from the product before you start the engine after maintenance. Loose tools or tools attached to rotating parts can eject and cause injury.
- Let an approved service center do servicing on the product regularly.

## Assembly

### Introduction



**WARNING:** Before you assemble the product, you must read and understand the safety chapter.



**WARNING:** Remove the spark plug cable from the spark plug before you assemble the product.

### To assemble the cutting blade and the skid plate

1. Assemble the cutting blade. Refer to *To install a cutting blade on page 18*.
2. Assemble the skid plate. Refer to *To install a cutting blade on page 18*.

# Operation

## Introduction



**WARNING:** Before you operate the product, you must read and understand the safety chapter.

## Basic working techniques

### Contraction joints and joint spacing

As concrete hydrates or cures and begins to set, it develops internal stresses which may cause random cracks.

Random cracks cast doubt on the quality and workmanship of the concrete. Contraction joints are cut in concrete to relieve these stresses before they seek their own relief in the form of random crack.

The Soff-Cut Ultra Early Entry system controls random cracking through the early timing of a saw cut at predetermined locations to create weakened planes in the concrete that subsequently crack at the bottom of the cut to relieve stress.

Sawed contraction joints must be a minimum of  $\frac{1}{8}$  of the concrete depth and a minimum of 25 mm (1") deep.

Saw contraction joints when the concrete holds the weight of the product and the operator. Make sure that the product does not make marks on or cause damage to the concrete.

There are many possibilities for joint layout. Joint layout should be provided, the saw contractor should submit a detailed joint layout for approval prior to cutting.

There are many conditions that have an effect on joint spacing.

- Concrete thickness.
- Type, amount and location of reinforcement.
- Shrinkage potential of concrete-cement (type, quantity), aggregate (size, quantity, quality), water to cement ratio, admixtures, concrete temperature.
- Base friction.
- Slab restraints.
- Layout of foundations, racks, pits, equipment pad, trenches, etc.
- Environmental factors - temperature, wind, humidity.
- Methods and quality of concrete curing.

Generally, contraction joint patterns should divide slabs into approximate square panels per the recommended spacing shown in the table.

Concrete thickness, mm (in.)	Maximum spacing, m (ft.)
90 (3.5)	2.4 (8)

Concrete thickness, mm (in.)	Maximum spacing, m (ft.)
100, 114 (4, 4.5)	3.0 (10)
125, 140 (5, 5.5)	3.6 (12)
150 (6) or greater	4.5 (15)

At all intersecting cross cuts, install Husqvarna joint protectors at each joint to prevent joint damage. Install an additional joint protector where the right wheel will cross the joint to prevent concrete damage.

### Maximizing the Soff-Cut system

"The timing of concrete operations - especially finishing and jointing - is critical... Failure to address this issue can contribute to undesirable characteristics in the wearing surface as cracking..." (Extract from the foreword of the American Concrete Institute (ACI) 302.1 R-96.)

The Soff-Cut Ultra Early Entry system has revolutionized the method used to control random cracking.

In order for an operator to do a satisfactory job using the Soff-Cut system, the following criteria must be met:

- A Soff-Cut Ultra Early Entry dry up-cut saw.
- A Husqvarna Soff-Cut dry-cutting diamond blade.
- A Husqvarna anti-ravel skid plate installed with every new diamond blade.
- An operator skilled in using the Soff-Cut Ultra Early Entry cutting system.

Without this, joints can not be cut clearly enough to control random cracking before it starts, which is what the building owner is paying for.

The ACI Spec 302.1R-96 says it best:

"Early-entry dry-cut saws use diamond-impregnated blades and a skid plate that helps prevent spalling. Timely changing of skid plates is necessary to effectively control spalling. It is best to change skid plates in accordance with manufacturer's recommendations... The goal of saw-cutting is to create a weakened plane as soon as the joint can be cut... The timing of the early-entry process allows joints to be in place prior to development of significant tensile stress in the concrete..."

The Portland Cement Association (PCA) engineering bulletin, Concrete Floors on the ground, also states:

"Proper jointing can eliminate unsightly random cracks. Aspects of joining that lead to a good job are choosing the correct type of joint for each location, establishing a good joint pattern and layout, and installing the joint at the correct time... Timing of joint sawing is critical... Lightweight, high-speed, early-cut saws have

been developed to permit the joint sawing very soon after floor finishing, sometimes within 0 to 2 hours...if the cut is sawn within a few hours after the final finishing, random cracking can be controlled..."

Husqvarna has the only Ultra Early Entry dry-cutting system (Soff-Cut) which controls random cracking through the early timing of the cut. With the Soff-Cut method, control joints are usually cut within 2 hours after the finishing process.

Joint cutting should begin as soon as the concrete will support the weight of the saw and the operator at each joint location and before final set.

If the joints are not being cut within this time frame then the Soff-Cut Ultra Early Entry method is not being followed.

## Before you operate the product

1. Do daily maintenance. Refer to *Maintenance schedule on page 15*.
2. Make sure that the handle is in full upright position and that the locking pin is installed.
3. Make sure that the front guide is turned to the forward position.
4. Fill the oil tank. Refer to *Technical data on page 28* for information about recommended engine oil.
5. Do a check of the oil level. Refer to *To do a check of the oil level on page 21*.

## To fill fuel



**WARNING:** Do not fill containers when you are in a vehicle. Risk of fire. Put the container on the ground away from your vehicle.



**CAUTION:** Do not use gasoline with an octane number less than 90 RON (87 AKI). This can cause damage to the product.



**CAUTION:** Use unleaded gasoline. Do not use unleaded gasoline with more than 10% ethanol. Gasoline with more than 10% ethanol cause a risk of fire and can also cause starting and performance problems. It can also cause damage to metal, rubber, and plastic parts of the fuel system.



**CAUTION:** Do not use gasoline that contains methanol.



**CAUTION:** Do not keep fuel more than 30 days in a container. Expired fuel can cause damage to the product.

1. Remove the product from the transportation vehicle and put it on the ground. If this is not possible, refuel the product with a portable container and not from a gasoline pump nozzle.

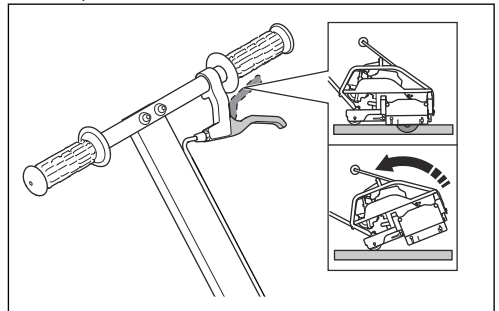


**WARNING:** Use only approved gasoline containers.

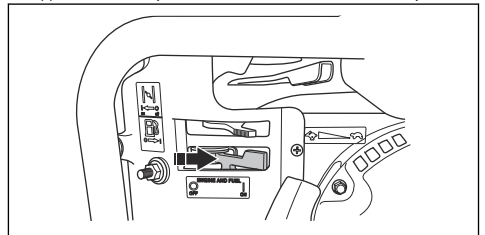
2. Open the fuel tank cap slowly to release the pressure.
3. Make sure that the nozzle touches the top edge of the fuel tank opening until the fuel tank is full. Do not use a nozzle lock-open device.
4. Clean the area around the fuel tank cap.
5. Tighten the fuel tank cap fully. If the fuel tank cap is not tightened, there is a risk of fire.
6. Move the product a minimum of 3 m/10 ft from the position where you filled the tank before a start.

## To start the engine

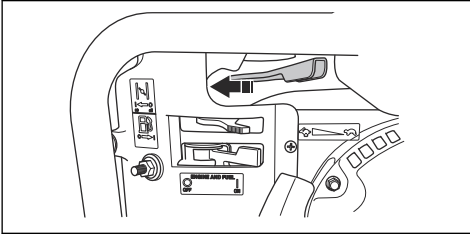
1. Pull and hold the release lever when you tilt the product. Push the handlebar down to set the product in tilt position.



2. Release the lever to lock the product at tilt position.
3. Set the engine ON/OFF switch to the ON position (I). In the ON position, the fuel valve is also open.



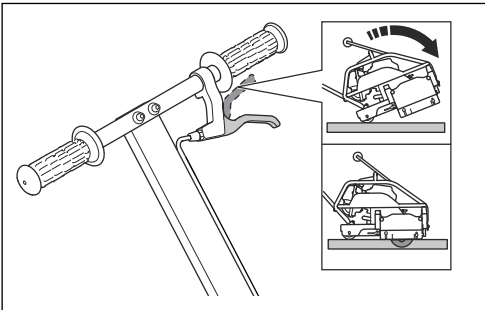
4. Move the throttle trigger  $\frac{1}{4}$  to the left to open position.



5. Set the choke control in the correct position.
  - a) If the engine is cold, close the choke.
  - b) If the engine is warm or the ambient temperature is high, open the choke.

**Note:** The closed choke position makes the fuel mixture better for starting a cold engine. The open choke position gives the correct fuel mixture for operation after the engine starts and for restarting a warm engine.

6. Pull the starter rope handle slowly until you feel resistance.
7. Release the starter rope handle to let the starter rope go back.
8. Pull the starter rope handle until the engine starts. The blade starts to rotate when the engine is on.
9. Open the choke control gradually until it is fully open.
10. Let the engine operate at idle speed for 2–3 minutes before you apply full throttle.
11. Push the handle down and pull the blade release lever to slowly lower the blade into the concrete.



## To do work with dust

This product has a dust outlet on the blade block cover. The dust outlet is used to connect a dust extractor.

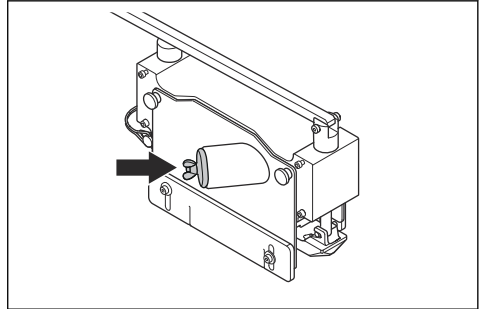
- Always use a dust extractor. It is also recommended to use an antistatic extraction hose.

**Note:** For Husqvarna products, OSHA objective data are available at [www.husqvarnacp.com/us/](http://www.husqvarnacp.com/us/). The

performance of the dust extractor can change over time.

## To connect a dust extractor to the product

1. Turn the wing nut on the plug counterclockwise.
2. Remove the plug from the pipe on the blade block cover.
3. Connect a dust extractor to the blade block.



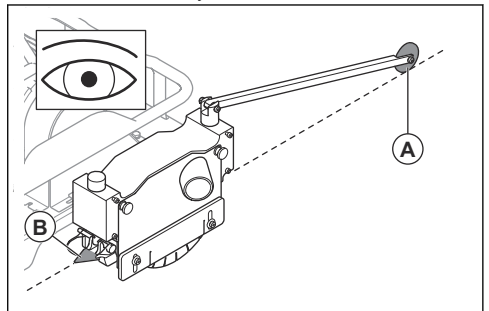
**Note:** If the dust extractor is not compatible with the connection on the product, use an adapter.

## To operate the product, Soff-Cut 150

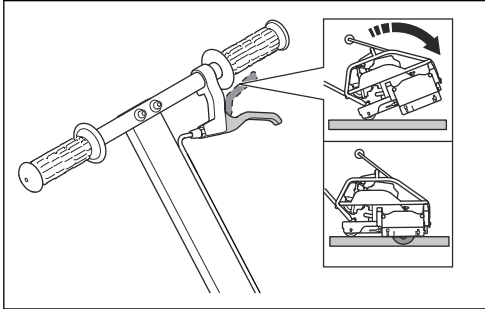


**CAUTION:** Make sure that no objects hit the blade block. It can cause damage to the product.

1. Start the engine. Refer to *To start the engine on page 13*.
2. Open the engine throttle lever to full open position for maximum engine speed.
3. Align the front pointer (A) and the rear pointer (B) with the line where you will do the cut.



4. Push the handle down and pull the blade release lever to slowly lower the blade into the concrete.



5. Push the product forward to keep the front pointer in the cut line. Push the product at half speed for the first 50 ft, if a new blade has been installed.
6. Increase the forward speed of the product until the blade and engine can work at maximum efficiency. Do not use more than necessary force to push the product forward.
7. When you operate the product near a wall, lift the front pointer. Look at the rear pointer to make sure that you cut straight.
8. When the operation is completed, tilt the product rearward to engage the lever that keeps the product in tilt position.
9. Stop the engine. Refer to *To stop the engine on page 15*.
10. Clean the product. Refer to *To clean the product externally on page 16*.

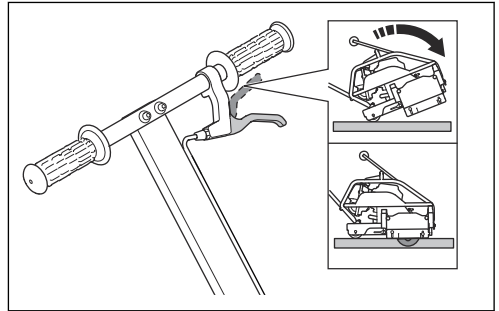
## To operate the product, Soff-Cut 150D



**CAUTION:** Make sure that no objects hit the blade block. It can cause damage to the product.

1. Start the engine. Refer to *To start the engine on page 13*.
2. Open the engine throttle lever to full open position for maximum engine speed.

3. Align the rear guide wheel with the pre-existing saw cut.
4. Push the handle down and pull the blade release lever to slowly lower the blade into the concrete.



5. Lower the saw and the blade fully into the concrete when the guide wheels are correctly aligned in the saw cut.
6. Push the product forward to keep the front pointer in the cut line for approximately 1 ft and make sure that the guide wheels are correctly aligned in the saw cut.
7. Increase the forward speed of the product until the blade and engine can work at maximum efficiency. Do not use more than necessary force to push the product forward.
8. Stop the engine. Refer to *To stop the engine on page 15*.
9. Clean the product. Refer to *To clean the product externally on page 16*.

## To stop the engine

1. Push the operators handles down to lift the cutting blade to the locked position.
2. Move the engine throttle lever to closed position.
3. Set the engine ON/OFF switch in OFF position (O). This also closes the fuel valve.
4. Clean the product, refer to *To clean the product externally on page 16*.

# Maintenance

## Introduction



**WARNING:** Before you do any maintenance work you must read and understand the safety chapter.

## Maintenance schedule

The maintenance intervals are calculated from daily use of the product. The intervals change if the product is not used daily.

For maintenance identified with \* refer to the instructions in *Safety devices on the product on page 8*.

Maintenance	Daily	Weekly, each 40 h	Monthly, each 200 h	After the first 20 h, then each 100 h
Do a general inspection.	X			
Examine the oil level.	X			
Clean the product.	X			
Examine the skid plate (Soff-Cut 150).	X			
Examine the Lexan™ cover*.	X			
Examine the blade block guard*.	X			
Examine the cutting blade.	X			
Examine the fuel level.	X			
Clean the spark plug.		X		
Examine the air filter and replace if it is necessary.		X		
Examine the drive belt.		X		
Replace the engine oil .				X
Lubricate the blade shaft bearings.		X		
Replace the air filter.			X	
Examine and clean the sediment cup.			X	
Examine the spark plug and electrode gap.			X	

## To clean the product externally



**CAUTION:** Always clean the product immediately after use, before the concrete becomes dry. Remaining concrete can cause damage to the product.

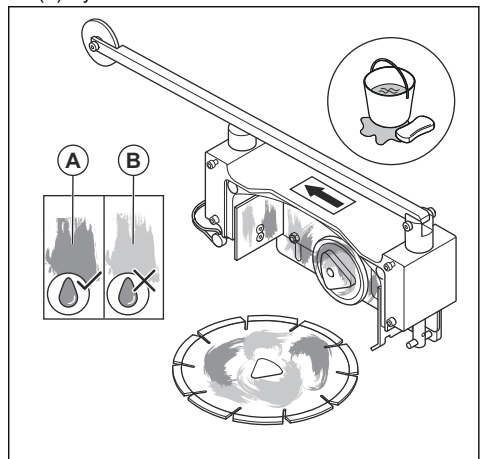
1. Remove the blade. Refer to *To remove the blade on page 17*.
2. Clean the product with water.



**CAUTION:** Do not point the water directly at the engine, especially if you use a high-pressure washer.

3. Make sure that the handles and levers are clean and dry before you operate the product.

4. Clean the blade block and blade from concrete particles after each use. Use a heavy duty brush and water. The remaining concrete (A) will dry and set (B) if you do not remove it.





5. Keep all openings and slots on the product clean to make sure that air flows freely through the motor area.

## To examine the spark plug



**CAUTION:** Always use the recommended spark plug type. Incorrect spark plug type can cause damage to the product.

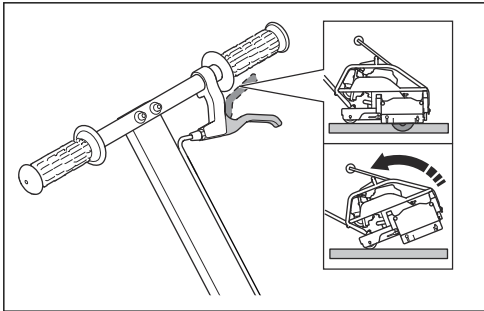
- For more information, refer to the operator's manual for the engine.

## To do a general inspection

- Make sure that the nuts and screws on the product are tightened.
- Make sure that there are no fuel or oil leaks.
- Soff-Cut 150D: Make sure that the wheels for the front guide and the rear guide turn freely.

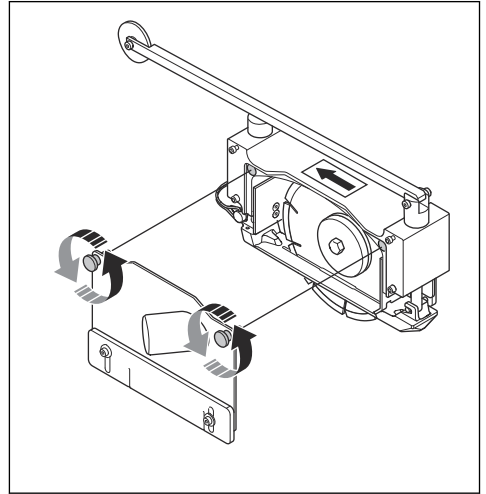
## To remove the blade

1. Pull and hold the release lever when you tilt the product. Push the handlebar down to set the product in tilt position.

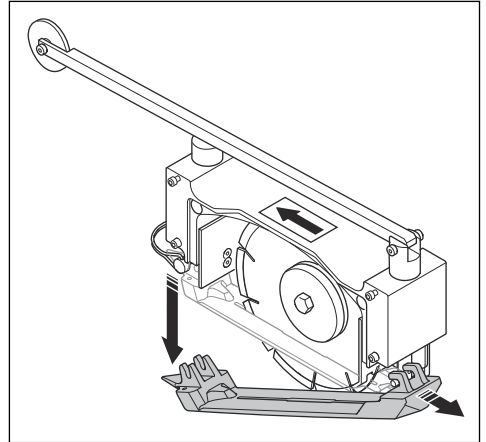


2. Release the lever to lock the product at tilt position.

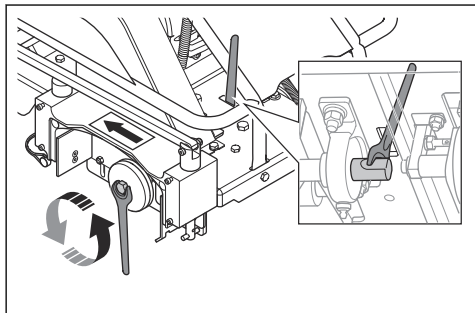
3. Turn the 2 locking knobs counterclockwise and remove the blade block cover.



4. Push down on the rear pointer to release the skid plate.

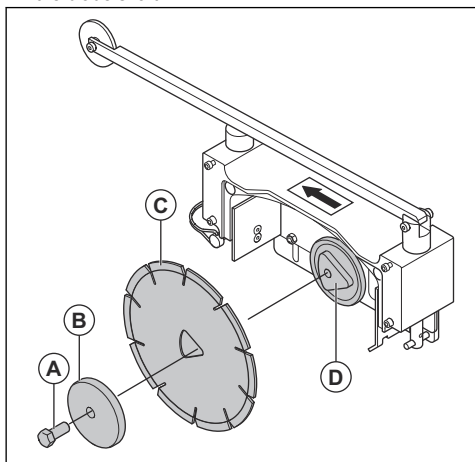


5. Put 1 blade wrench in the slot at the front of the motor. Put 1 blade wrench on the blade shaft bolt in the blade block.



**Note:** 2 blade wrenches are supplied with the product.

6. Turn the blade shaft bolt (A) counterclockwise until the wrench in the slot engages on the flat surfaces of the blade shaft.



7. Remove the blade shaft bolt (A). Remove the outer blade flange (B). Remove the blade (C) from the blade shaft (D).

## To install a cutting blade



**WARNING:** Do not use a cutting blade with a rated speed value lower than that of the product. The rated speed value of the cutting blade is marked on the cutting blade, and that of the product is marked on the type plate. Only use Husqvarna Soff-Cut blades that are in compliance with national or regional standards, for example EN13236 or ANSI B7.1.

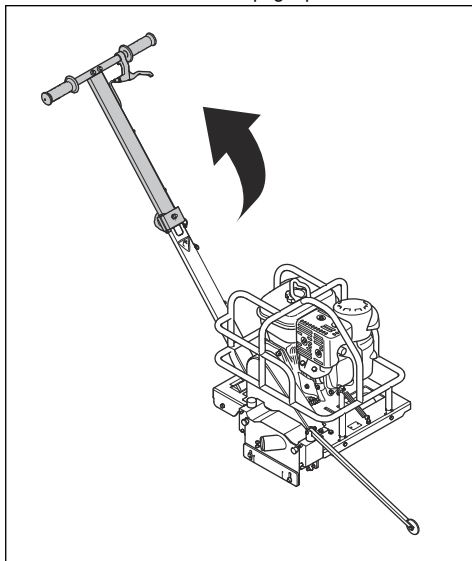


**CAUTION:** Examine the cutting blade for defects such as damages, cracks, loss of segments, warping, overheating, excessive wear or a damaged tri-arbor hole. Discard a defective blade.

Examine the blade flanges for damage and excessive wear and make sure that the blade flanges are clean.

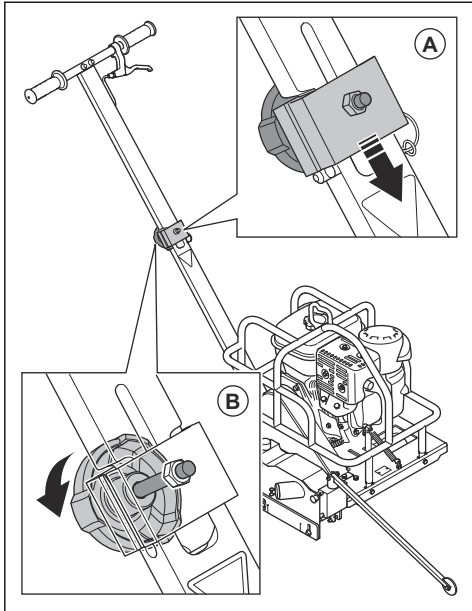
Cutting blades are not included with the product. Use only original Husqvarna cutting blades. Refer to *Technical data on page 28* for the correct type for your model. For Soff-Cut 150, a skid plate is included in the cutting blade kit.

1. Fold the handle to its full upright position.

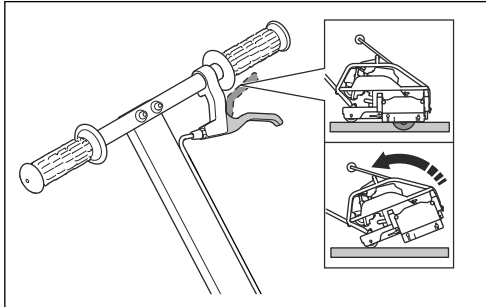


2. Push the locking clamp (A).

3. Tighten the locking clamp wheel (B).

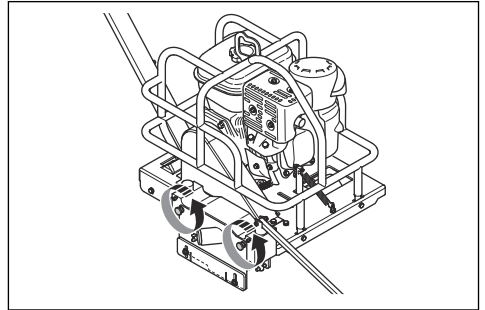


4. Pull and hold the release lever when you tilt the product. Push the handlebar down to set the product in tilt position.

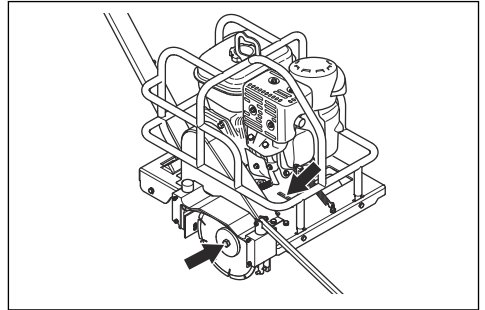


5. Release the lever to lock the product at tilt position.

6. Turn the 2 locking knobs counterclockwise and remove the blade block cover.



7. Put one of the included wrenches in the slot at the front of the engine. Put the other included wrench on the blade shaft bolt.



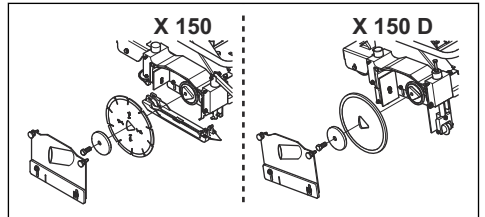
8. Turn the blade shaft counterclockwise with the wrench on the blade shaft bolt until the wrench in the slot engages on the flat surfaces of the blade shaft.

9. Continue to turn the blade shaft bolt counterclockwise to remove the blade shaft bolt.

10. Remove the outer blade flange.

11. Fully clean the concrete from the shaft, blade block and blade block cover.

12. Install the cutting blade on the blade shaft. Make sure that the cutting blade is tight around the shaft.



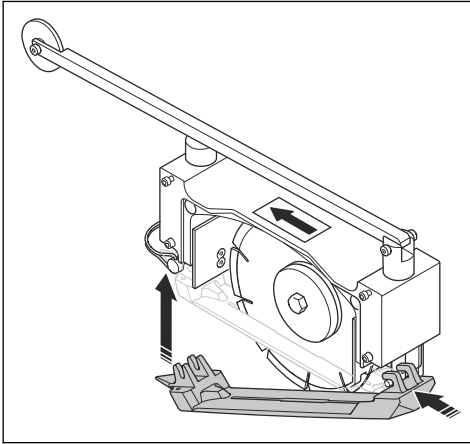
13. Install the outer blade flange. Tighten the bolt fully.

14. Model Soff-Cut 150: Install a new skid plate.

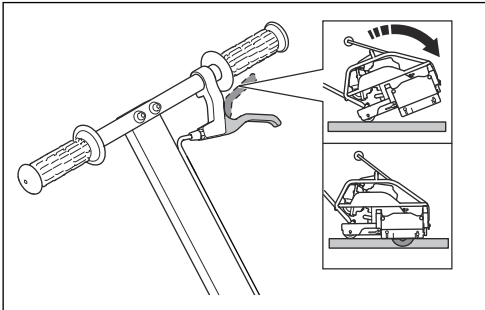


**CAUTION:** Do not install a used skid plate.

- a) Put the front of the skid plate on the front blade block shaft pin.
- b) Push the rear of the skid plate up against the rear blade block shaft until you hear a click.



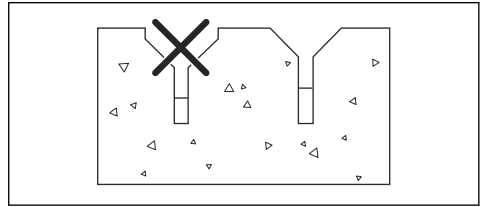
15. Install the blade block guard. Align the 2 knobs of the blade block guard with the holes in the blade block. Turn the 2 knobs of the blade block guard and tighten until it is fully attached to the blade block.
16. Model Soff-Cut 150: Lift the front and rear of the skid plate to make sure that the blade moves freely through the skid plate.
17. Make sure that the Lexan™ cover moves freely up and down.
18. Push the handle down and pull the blade release lever to slowly lower the blade into the concrete.



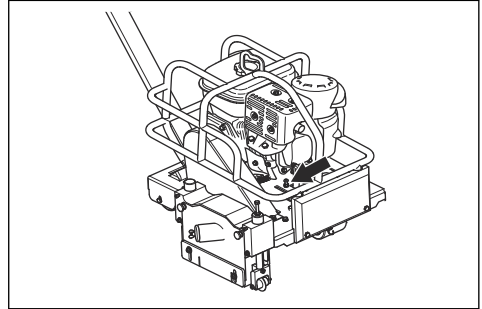
## To adjust the blade depth (Soff-Cut 150D)



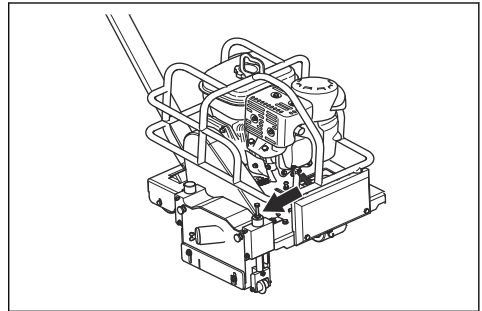
**CAUTION:** The radius and V-blade depth of a cut is set at maximum depth at the factory. Do not adjust unless it is necessary. Adjust only for small, thin cuts. Do not increase the depth. That can cause a bevel cut.



1. Loosen the jam nut for the depth stop adjustment counterclockwise.



2. Turn the depth adjustment bolt clockwise. Each full revolution of the depth adjustment bolt decreases the cut width by  $\frac{1}{8}$  in.
3. Loosen the jam nut for the plunge adjustment screw counterclockwise. Push down the rear of the safety frame to make sure that the wheels are flat on the ground.



4. Turn the plunge adjustment screw clockwise by hand until it touches the guide wheel shaft.
5. Loosen the plunge adjustment screw a  $\frac{1}{4}$  turn counterclockwise. Tighten the jam nut for the plunge adjustment screw to lock it.
6. Cut in a saw joint for approximately 1 ft to make sure that you have got the correct decorative cut.

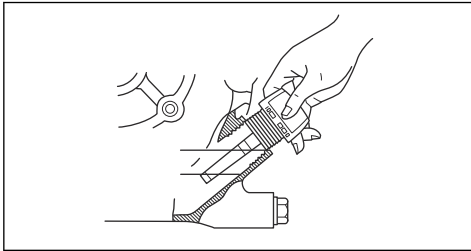
## To do a check of the skid plate Soff-Cut 150

- Examine the skid plate for damage.
- Examine the slot of the skid plate for too much wear.

- Examine the concrete surface side. Make sure that there are no burrs and that the side segments are not bent.
- Install a new skid plate with each new blade. Do not use an used skid plate with a new blade.
- Lift the skid plate from the front and from behind to make sure that the blade moves freely through the skid plate.

## To do a check of the oil level

1. Stop the engine.
2. Put the product on level ground.
3. Remove the oil tank cap with the attached dipstick.
4. Clean the oil from the dipstick.
5. Put the dipstick back in. Do not tighten it.
6. Pull the dipstick out and read the oil level.
7. Examine the oil level on the dipstick.



8. If the oil level is low, fill with engine oil and do a check of the oil level again. Refer to *Technical data on page 28* for correct oil type.
9. Tighten the oil tank cap correctly before you start the engine.

**Note:** The engine has an oil alert system that stops the engine if the oil level is too low. The engine cannot be started unless the oil level is above the prescribed limit.

## To replace the engine oil

Refer to *Maintenance schedule on page 15* for intervals.



**WARNING:** Engine oil is very hot directly after the engine stops. Let the engine become cool before you drain the engine oil. If you spill engine oil on your skin, clean with soap and water.

1. Put a container below the drain plug for the engine oil.
2. Remove the drain plug.
3. Let the oil run out into the container.
4. Attach the drain plug and tighten it.
5. Fill with new oil according to recommendation. Refer to *Technical data on page 28*.

6. Refer to *To do a check of the oil level on page 21* for instructions how to fill oil.

## Air filter



**WARNING:** Use approved respiratory protection when you clean or replace the air filter. Discard used air filters correctly. The dust in the air filters is dangerous to your health.



**WARNING:** Do not clean the air filter with compressed air. This causes damage to the air filter and the risk increases that you breathe the dangerous dust.



**CAUTION:** Always replace a damaged air filter, or the dust will go into the engine and cause engine damage.

The air cleaner assembly is a cyclone type, it is on the engine at the front of the saw. Replace the air cleaner element, refer to the maintenance schedule. If necessary, replace more frequently.

For more information, refer to the operator's manual for the engine.

## To do a check of the drive belt

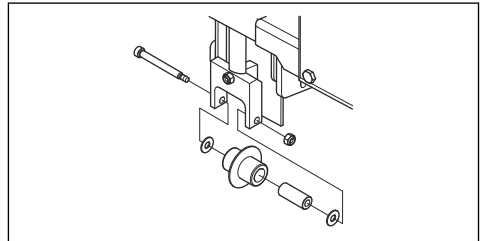
- Make sure that the drive belt does not have damages or visual defects.
- The belt tensioner controls the belt tension. It is not necessary to adjust the belt tension.
- Make sure that the belt tensioner moves freely up and down.
- Make sure that the belt tensioner bearings move freely.

## To replace the guide wheels (Soff-Cut 150D)

Use the 1/4" wide guide wheels when chasing 1/4" saw cuts with the XL6- V25-D blade. Front and rear guide wheels are included with the saw.

**Note:** Both front and rear guide wheels must be replaced; do not mix different width guide wheels.

1. Remove lock nut and slide out the shoulder bolt.

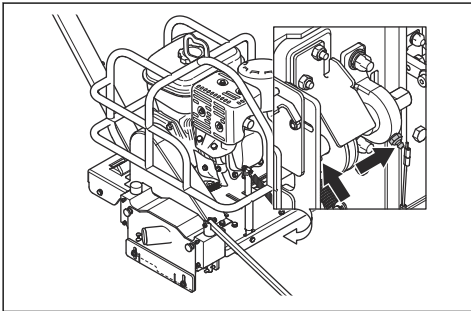


2. Make a note of the washers and other parts removed and the order of assembly.
3. Slide the bronze bushing from inside the old front guide wheel and insert into the new one.
4. Slide the bronze bushing from inside the old rear guide wheel and insert into the new one.
5. Install the new guide wheels using the same shoulder bolts, lock nuts and plastic washers.

Half-inch wide guide wheels, not included with the saw, are also available for use with ProEdge Blade XL6-V500-D, when chasing ½" wide saw cuts.

## To lubricate the blade shaft bearings

- Lubricate the blade shaft bearings with 3 pumps of grease.



For the correct type of grease, refer to *Technical data on page 28*.

## Maintenance of the engine

Refer to the operator's manual for the engine for additional information about servicing of the engine. The operator's manual for the engine also has information about specifications, tune-up parts, engine warranty, emission compliance, etc.

---

## Troubleshooting

---

### Troubleshooting schedule



**WARNING:** Troubleshooting causes risk of injury because personnel does work in the

risk areas of the product. Be careful, prepare the work and use common sense.

If you cannot find a solution to your problems in this owner's manual, speak to your Husqvarna service agent.

Problem	Solution
<p>The product causes chipping/ spalling or ravelling in the cut (Soff-Cut 150).</p>	<p>Make sure that the cutting blade is not worn out, smooth, out of shape or damaged.</p>
	<p>Make sure that the skid plate does not touch the cutting blade and moves freely up and down the full shaft length.</p>
	<p>Make sure that the skid plate is not worn out and that there is no distance around the cutting blade.</p>
	<p>Examine the bottom of the skid plate and make sure that there are no metal burrs or defects.</p>
	<p>Make sure that the skid plate is not twisted or bent.</p>
	<p>Make sure that the Lexan™ cover can move freely up and down.</p>
	<p>Do a check of the spring pressure. Push the front and rear blade block shafts up. There must be a low to moderate pressure.</p>
	<p>Do not twist or move the product to the sides while you cut. Gradually change the pressure on the handlebar to control the cutting blade in the cut.</p>
	<p>Make sure that the engine operates correctly and at the specified rpm.</p>
	<p>Make sure that the tension of the belt and the belt idler are correct.</p>
	<p>Make sure that the cutting blade is correctly assembled and attached with clean flanges.</p>
	<p>Make sure that the cutting blade has the correct specification for your area or type of concrete.</p>
	<p>Make sure that the concrete surface is clean and that the skid plate can move smoothly along on the concrete surface.</p>
	<p>Use Husqvarna joint guards at all cut intersections.</p>
<p>Clean the blade block assembly.</p>	
<p>Make sure that the scrapers in the blade block can move freely and that they are not bent.</p>	
<p>Make sure that the blade block shafts are not bent or damaged.</p>	

Problem	Solution
The product causes bevel or radius cuts (Soff-Cut 150D).	Make sure that the cutting blade is not worn out, smooth, out of shape or damaged.
	Make sure that the front and rear guide wheels can move smoothly and move freely up and down.
	Let the cutting blade cut at its correct rate of speed. Do not push the product forward with hard force.
	Make sure that the guide wheels are aligned in the pre-existing saw cut before starting.
	Make sure that the existing saw cuts are clean and free from unwanted contamination.
	Make sure that the Lexan™ cover can move freely up and down.
	Do a check of the spring pressure. Push the front and rear blade block shafts up. There must be a low to moderate pressure.
	Do not twist or move the product to the sides while you cut. Gradually change the pressure on the handlebar to control the cutting blade in the cut.
	Make sure that the engine operates correctly and at the specified rpm.
	Examine the belt and the pulleys for correct tension.
	Make sure that the cutting blade is correctly assembled and attached with clean flanges.
	Make sure that the concrete surface is clean and that the skid plate can move smoothly along on the concrete surface.
	Clean unwanted concrete contamination from the blade block assembly.
	Make sure that the scrapers in the blade block can move freely and that they are not bent.
	Make sure that the blade block shafts can move freely and that they are not bent.
Make a new cut in the pre-existing saw cut from the opposite direction.	
The product pulls to the side during operation (Soff-Cut 150).	Do a check that the front pointer is correctly aligned with the center of the cutting blade.
	Examine the skid plate for damage or burrs.
The product pulls to 1 side while sawing (Soff-Cut 150D).	Do a check that the front and rear pointer are correctly aligned with the center of the cutting blade.
	Do a check that the cutting blade is not worn out, smooth, out of shape or damaged.
	Do not twist or move the product to the sides while you cut. Gradually change the pressure on the handlebar to control the cutting blade in the cut.
	Make sure that all wheels move freely and smoothly.
	Let the cutting blade cut at its correct rate of speed. Do not push the product forward with hard force.



Problem	Solution
The engine does not start.	Do a check if there is fuel in the tank and make sure that it is the correct fuel. Make sure that there is no water in the fuel.
	Make sure that the fuel valve is in the "ON" position.
	Make sure that the ON/OFF switch is in the "ON" position.
	Make sure that the spark plug cable is connected to the spark plug.
	The engine is flooded. Adjust the choke, refer to the operator's manual for the engine.
	Make sure that the choke is in the "ON" position for cold starts. Adjust the choke, refer to the operator's manual for the engine.
	Do a check of the oil level. The engine has an oil alert system that stops the engine if the oil level is too low.
	Make sure that the air filter is not dirty or clogged.
	Do a check that the blade shaft rotates freely and no concrete has built up in the blade block.
The engine does not operate smoothly or cannot operate at full speed.	Do a check if there is fuel in the tank and make sure that it is the correct fuel. Make sure that there is no water in the fuel.
	Do a check of the oil level. The engine has an oil alert system that stops the engine if the oil level is too low.
	Make sure that the air filter is not dirty or clogged.
	Make sure that the spark plug is clean and has the correct gap, refer to the operator's manual for the engine.
	Make sure that the throttle control is set correctly.
	Make sure that the choke is in the "ON" position for cold starts. Adjust the choke, refer to the operator's manual for the engine.

## Transportation, storage and disposal

### Transportation



**WARNING:** Be careful during transportation. The product is heavy and can cause injury or damage if it falls or moves during transportation.

The wheels let you move the product manually for shorter distances. For longer distances, lift the product to move it or put the product on a vehicle.



**CAUTION:** Do not tow the product behind a vehicle.

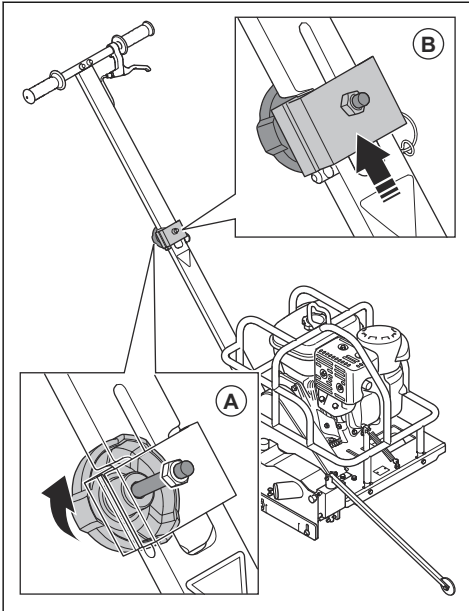
- Attach the product safely during transportation by vehicle. Attach tie-down straps to the safety frame and to the vehicle.
- Set the engine ON/OFF switch to the OFF position. This also closes the fuel valve.

- Remove the cutting blade before transportation of the product.
- Put the product in lower height position.
- For storage and transportation of the product and fuel, make sure that there are no leaks or fumes. Sparks or open flames, for example from electrical devices or boilers, can start a fire.
- Always use approved containers for transportation of fuel.
- Fold the product, refer to *To fold the product on page 25*.

### To fold the product

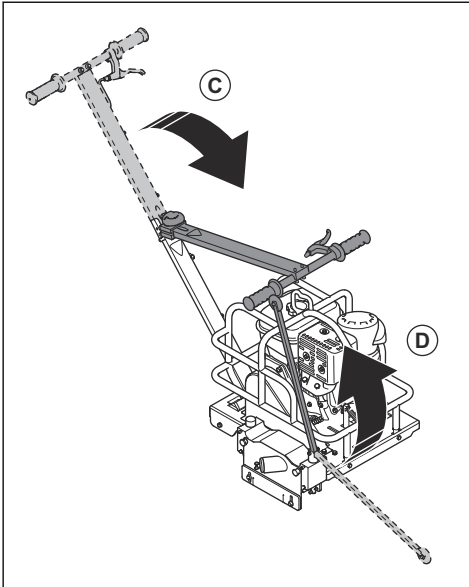
1. Loosen the locking clamp wheel (A).

2. Lift the locking clamp (B).



3. Fold the handle forward (C).

4. Fold the forward pointer up (D).



## To lift the product



**WARNING:** Make sure that the lifting equipment has the correct dimension. The type plate on the product shows the product weight.

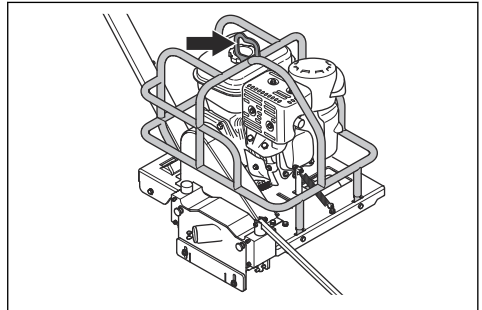


**WARNING:** Do not lift a damaged product. Make sure that the lift point is correctly installed and not damaged.



**WARNING:** Do not use metal hooks, chains or other lifting equipment with rough edges that can cause damage to the lift point.

- If 2 persons lift the product, use the safety frame bar on each side of the product and lift with 2 hands.
- If lifting equipment is used, attach the lifting equipment to the lift point on the safety frame.



## Storage

- The product does not have a parking brake. Do not go away from the product if it is on a slope. If it is necessary to park the product on a slope, make sure that the product is sufficiently attached and cannot move.
- Remove the cutting blade before storage of the product.
- Keep the product in a locked area to prevent access for children or persons that are not approved.
- Keep the cutting blades in a safe area to prevent damage.
- Keep the cutting blades in a dry and frost-free area.
- Examine new cutting blades for storage damage.
- For storage of the product and fuel, make sure that there are no leaks or fumes. Sparks or open flames, for example from electrical devices or boilers, can start a fire.
- Always use approved containers for storage of fuel.
- Fold the product, refer to *To lift the product on page 26*.

For long-term storage, also do these steps:

- Clean the product and do a complete servicing.

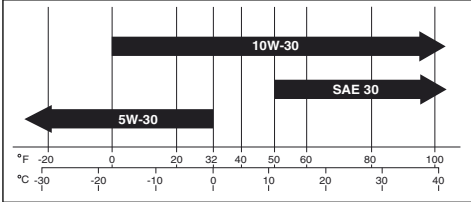
- Empty the fuel tank.
- Keep the product in a dry and frost-free area.
- Put a protective cover on the product. This is especially important for storage outdoors.
- Replace the engine oil after a long-term storage.

## **Disposal**

- Obey the local recycling requirements and applicable regulations.
- Discard all chemicals, such as engine oil or fuel, at a service center or at an applicable disposal location.
- When the product is no longer in use, send it to a Husqvarna dealer or discard it at a recycling location.

# Technical data

## Technical data

	Soff-Cut 150	Soff-Cut 150D
<b>Engine<sup>1</sup></b>		
Engine brand/ Type	Kohler/ CH255	Kohler/ CH255
Engine power, kW@rpm/hp@rpm <sup>2</sup>	4.0@3600/5.5@3600	4.0@3600/5.5@3600
<b>Fuel and lubrication system</b>		
Fuel tank capacity, l/gal	3.0/0.8	3.0/0.8
Oil system	Oil alert system with auto shut down sensor.	Oil alert system with auto shut down sensor.
Oil tank capacity, l/qt	0.6/0.63	0.6/0.63
Engine oil	<p>We recommend use of Kohler oils for best performance. Other high-quality detergent oils, including synthetic, of API (American Petroleum Institute) service class SJ or higher are acceptable. Select viscosity based on air temperature at time of operation as shown in figure below.</p> 	
Grease	Lithium 12 based grease	Lithium 12 based grease
<b>Weight</b>		
With empty tanks, kg/lbs	37/82	43/95
With fuel, kg/lbs	40/88	46/101
<b>Noise emissions<sup>3</sup></b>		
Sound power level, measured dB (A)	100	100
Sound power level, guaranteed L <sub>WA</sub> dB (A)	102	102
<b>Sound levels<sup>4</sup></b>		
Sound pressure level at the operator's ear, dB (A)	86	86

<sup>1</sup> For further information and questions about this specific engine, refer to the engine manual or the web site of the engine manufacturer.

<sup>2</sup> As specified by engine manufacturer. Gross power rating as per SAE J1940/J1995, at specified rpm.

<sup>3</sup> Noise emissions in the environment measured as sound power (L<sub>WA</sub>) in conformity with EC directive 2000/14/EC.

<sup>4</sup> Noise pressure level according to ISO EN 13862. Reported data for noise pressure level has a typical statistical dispersion (standard deviation) of 2.5 dB(A).

	<b>Soff-Cut 150</b>	<b>Soff-Cut 150D</b>
<b>Vibration levels, <math>a_{hveq}</math><sup>5</sup></b>		
Right handle, $m/s^2$	5.9	5.9
Left handle, $m/s^2$	4.0	4.0
<b>Saw blade</b>		
Blade type	Diamond blade, dry cut with tri-arbor	ProEdge radius and beveled blades
Material	Green concrete only	Control joints on cured concrete only
Max. blade size, mm/in	165/6.5	152/6
Max. cut depth, mm/in	38.1/1.5	27/0.5
Cutting distance from wall, mm/in	76/3	114/4.5
Blade rotation	Counterclockwise, upcutting	Counterclockwise, upcutting
Blade shaft speed, rpm	4500	4500
Blade depth control	Manual	Manual
<b>Average cutting rate<sup>6</sup></b>		
Soft aggregates, m/min or ft/min	3.7 or 12	
Medium aggregates, m/min or ft/min	2.4 or 8	
Hard aggregates, m/min or ft/min	1.2 or 4	
<b>Recommended dust extractors<sup>7</sup></b>		
Min. Air flow CFM or $m^3/h$	236 or 400	
Min. Vacuum, psi/kPa	3.6/22	
Min. Water lift, m/in.	2.3/90	
Dust extractor attachment, mm/in.	60/2	

## Noise and vibration declaration statement

These declared values were obtained by laboratory type testing in accordance with the stated directive or standards and are suitable for comparison with the declared values of other products tested in accordance with the same directive or standards. These declared values are not suitable for use in risk assessments and values measured in individual work places may be higher. The actual exposure values and risk of harm experienced by an individual user are unique and depend upon the way the user works, in what material the product is used, as well as upon the exposure time

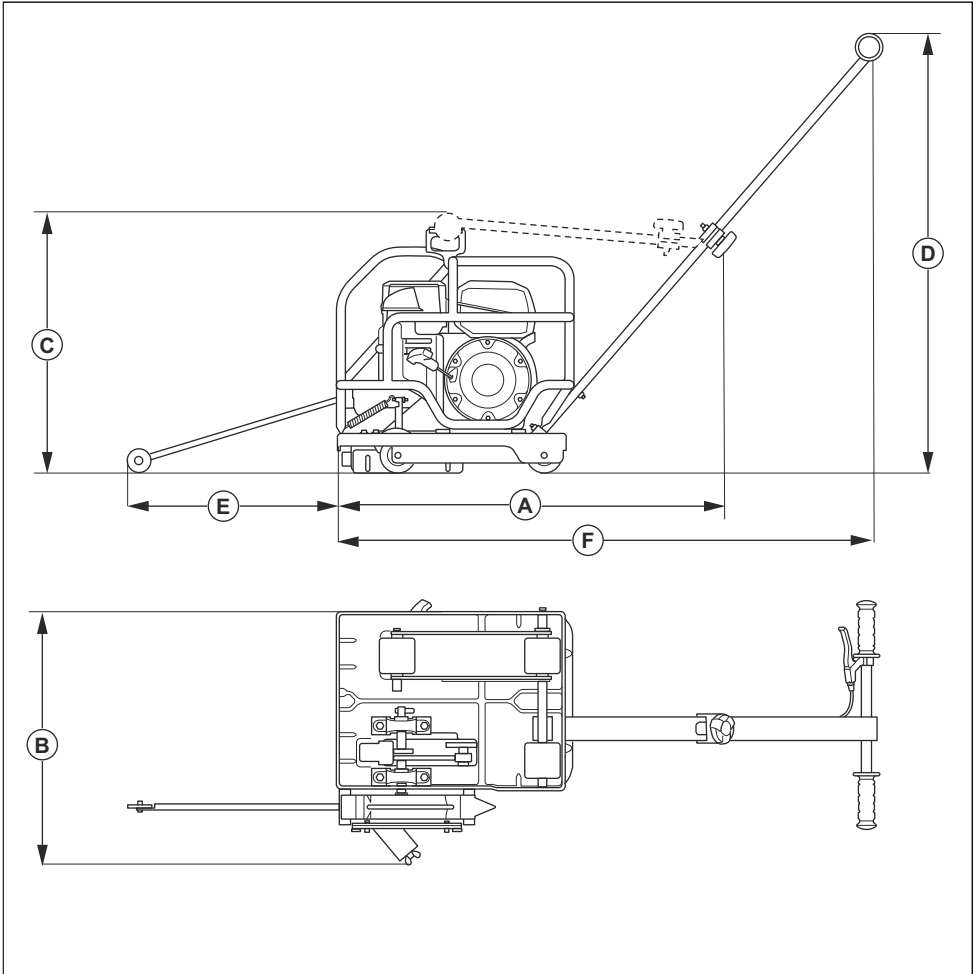
and the physical condition of the user, and the condition of the product.

<sup>5</sup> Vibration level according to EN 13862. Reported data for vibration level has a typical statistical dispersion (standard deviation) of  $1 m/s^2$ .

<sup>6</sup> Estimate only. Speed will vary with job conditions and concrete mixes.

<sup>7</sup> Technical data for dust extractors are not conclusively describing actual performance over time between different dust extractors. For Husqvarna products OSHA objective data are available at [www.husqvarnacp.com/us/](http://www.husqvarnacp.com/us/).

## Product dimensions



Dimensions, mm/in.		Soff-Cut 150	Soff-Cut 150D
A	Length with handle folded	860/33.9	860/33.9
B	Width	560/22	560/22
C	Height	566/22.3	571/22.5
D	Height with handle	932/37	945/37.2
E	Distance from the front pointer wheel to the product	445/17.5	N/A

Dimensions, mm/in.		Soff-Cut 150	Soff-Cut 150D
<b>F</b>	Distance from the front of the product to the handle	1178/46.4	1192/46.9

---

# Declaration of Conformity

---

## EU Declaration of Conformity

Husqvarna AB, SE-561 82 Huskvarna, Sweden, tel:  
+46-36-146500, declares that the product:

<b>Description</b>	<b>Floor cutting-off machine</b>
<b>Brand</b>	Husqvarna
<b>Type/Model</b>	Soff-Cut 150, Soff-Cut 150D
<b>Identification</b>	Serial numbers dating from 2021 and onwards

complies fully with the following EU directives and regulations:

<b>Directive/Regulation</b>	<b>Description</b>
2006/42/EC	"relating to machinery"
2014/30/EU	"relating to electromagnetic compatibility"
2000/14/EC	"relating to outdoor noise"

and that the following standards and/or technical specifications are applied;

EN ISO 12100:2010

EN 13862:2001+A1:2009

EN 55012:2008+A1:2009

EN ISO 14982:2009

2000/14/EC, conformity assessment procedure: Annex V.

For information relating to noise emissions, see the Technical data chapter

Partille 2021-06-14



Martin Huber,

R&D Director, Concrete Surfaces & Floors

Husqvarna AB, Construction Division

Responsible for technical documentation





## UK Declaration of Conformity

We, Husqvarna AB, SE-561 82 Huskvarna, SWEDEN,  
Tel: +46 36 146500 declare on our sole responsibility  
that the product:

<b>Description</b>	<b>Floor cutting-off machine</b>
<b>Brand</b>	Husqvarna
<b>Type/Model</b>	Soff-Cut 150, Soff-Cut 150D
<b>Identification</b>	Serial numbers dating from 2021 and onwards

complies fully with the following UK regulations:

<b>Regulation</b>	<b>Description</b>
S.I. 2008/1597	The Supply of Machinery (Safety) Regulations 2008
S.I. 2016/1091	Electromagnetic Compatibility Regulations 2016
S.I. 2001/1701	The Noise Emission in the Environment by Equipment for use Outdoors Regulations 2001

and that the following standards and/or technical specifications are applied;

EN ISO 12100:2010

EN 13862:2001+A1:2009

EN 55012:2008+A1:2009

EN ISO 14982:2009

Conformity assessment procedure acc S.I. 2001/1701:  
Schedule 8.

For information relating to noise emissions, see the  
Technical data chapter

Partille 2021-06-14

UK Importer:  
Husqvarna UK Limited  
Preston Road, Aycliffe  
Business Park Newton  
Aycliffe, County Durham  
UK DL5 6UP



Martin Huber,  
R&D Director, Concrete Surfaces & Floors  
Husqvarna AB, Construction Division  
Responsible for technical documentation

**UK  
CA**

---

## Inhalt

---

Einleitung.....	34	Fehlerbehebung.....	56
Sicherheit.....	38	Transport, Lagerung und Entsorgung.....	58
Montage.....	44	Technische Daten.....	61
Betrieb.....	45	Konformitätserklärung.....	66
Wartung.....	49		

---

## Einleitung

---

### Gerätebeschreibung

Das Gerät ist ein radgeführter Fugenschneider für Beton.

### Verwendungszweck

Das Gerät ist nur für den professionellen Einsatz bestimmt.

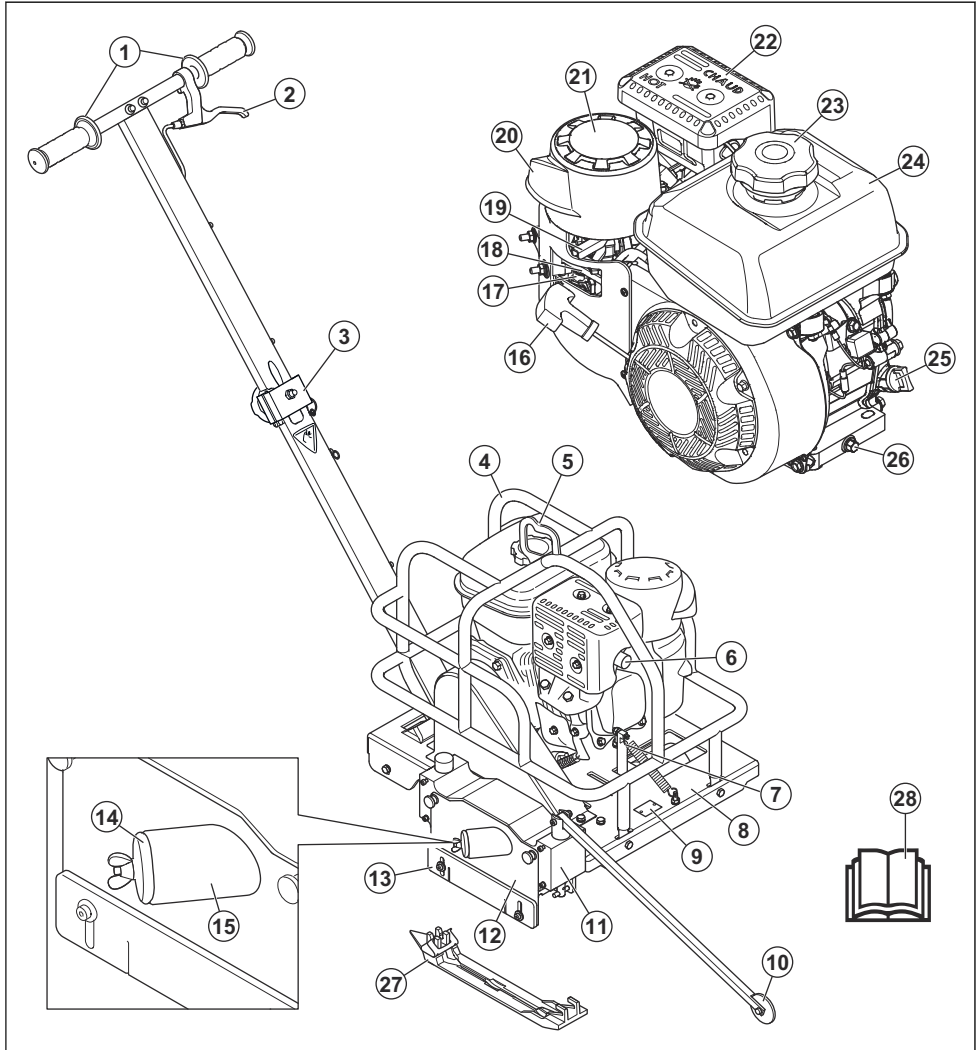
Der Soff-Cut 150 wird zum Sägen von Dehnungsfugen in der sehr frühen Phase der Betonverarbeitung verwendet.

Der Soff-Cut 150D wird nach dem ersten Schnitt verwendet. Er wird für dekorative Schnitte, Einfahrten und Parkplätze verwendet.

Das Gerät ist nur für den Außeneinsatz bestimmt.

Verwenden Sie das Gerät nicht für andere Aufgaben.

# Geräteübersicht Soff-Cut 150

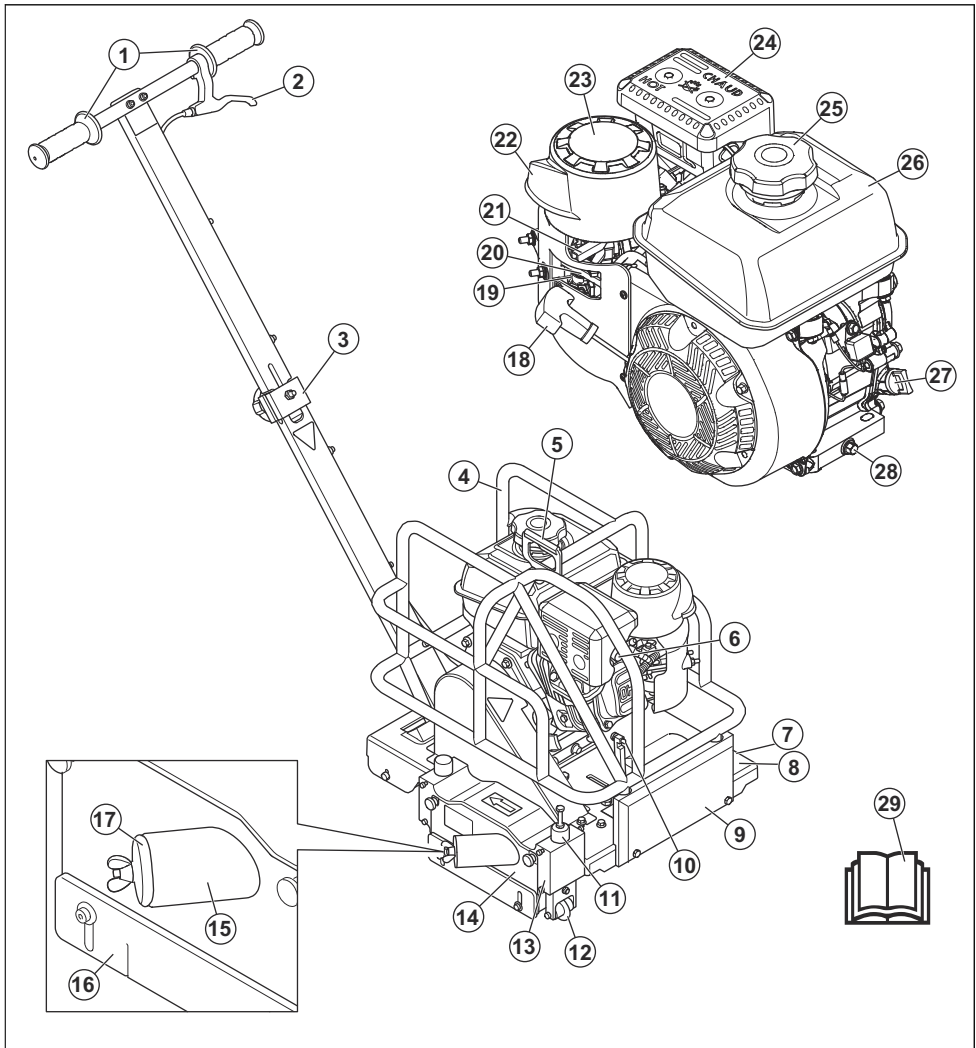


- |                                       |   |
|---------------------------------------|---|
| 1. Bediengriffe                       | 11. Trennscheibenblock                              |
| 2. Hebel für Trennscheibenauswurf     | 12. Trennscheibenblockabdeckung                     |
| 3. Verriegelungsklammer für den Griff | 13. Lexan™-Abdeckung                                |
| 4. Sicherheitsrahmen                  | 14. Stecker für den Anschluss des Staubabsaugers    |
| 5. Hebeöse                            | 15. Staubabsaugeranschluss                          |
| 6. Abgasöffnung                       | 16. Startseilgriff                                  |
| 7. Anschlagseinstellung               | 17. Kraftstoffventil und ON/OFF-Schalter des Motors |
| 8. Sägerahmen                         | 18. Choke-Hebel                                     |
| 9. Typenschild                        | 19. Gashebel  |
| 10. Vordere Visiereinrichtung         | 20. Luftfiltereinlass                               |
|                                       | 21. Luftfilter                                      |
|                                       | 22. Kraftstoffdeckel                                |
|                                       | 23. Kraftstoffventil                                |
|                                       | 24. Kraftstoffbehälter                              |
|                                       | 25. Motorventil                                     |
|                                       | 26. Motorventil                                     |
|                                       | 27. Kettenspanner                                   |
|                                       | 28. Bedienungsanleitung                             |

- 21. Luftfilterdeckel
- 22. Schalldämpferabdeckung
- 23. Kraftstofftankdeckel
- 24. Kraftstofftank

- 25. Messstab/Öltank
- 26. Ölablassschraube
- 27. Gleitplatte (nicht im Lieferumfang enthalten)
- 28. Bedienungsanleitung

## Geräteübersicht Soff-Cut 150D



- 1. Bediengriffe
- 2. Hebel für Trennscheibenauswurf
- 3. Verriegelungsklammer für den Griff
- 4. Sicherheitsrahmen
- 5. Hebeöse
- 6. Abgasöffnung

- 7. Typenschild
- 8. Sägerahmen
- 9. Gegengewicht
- 10. Stellschraube für Zustellung
- 11. Stellschraube für Schnitttiefenanschlag
- 12. Rad der vorderen Visiereinrichtung

13. Trennscheibenblock
14. Trennscheibenblockabdeckung
15. Staubabsaugeranschluss
16. Lexan™-Abdeckung
17. Stecker für den Anschluss des Staubabsaugers
18. Startseilgriff
19. Kraftstoffventil und ON/OFF-Schalter des Motors
20. Choke-Hebel
21. Gashebel
22. Luftfiltereinlass
23. Luftfilterdeckel
24. Schalldämpferabdeckung
25. Kraftstofftankdeckel
26. Kraftstofftank
27. Messstab/Öltank
28. Ölablassschraube
29. Bedienungsanleitung

## Symbole auf dem Gerät



**WARNUNG:** Gehen Sie vorsichtig vor, und verwenden Sie das Gerät ordnungsgemäß. Dieses Gerät kann schwere oder tödliche Verletzungen des Bedieners oder anderer Personen verursachen.



Lesen Sie die Bedienungsanleitung sorgfältig durch, und machen Sie sich mit den Anweisungen vertraut, bevor Sie das Gerät benutzen.



Tragen Sie Gehörschutz, Augenschutz und Atemschutz. Siehe *Persönliche Schutzausrüstung auf Seite 40*.



Jegliche Umplatzierung der Maschine außerhalb des Schneidbereichs muss ausgeführt werden, wenn sich das Werkzeug nicht in Rotation befindet.



Gefahr durch Schnittverletzungen. Halten Sie alle Körperteile stets von der Trennscheibe fern.



Der Staub kann zu gesundheitlichen Problemen führen. Tragen Sie einen zugelassenen Atemschutz. Atmen Sie die Abgase nicht ein. Verwenden Sie ein Gerät mit Verbrennungsmotor nicht in Innenräumen oder in Bereichen ohne ausreichende Luftzufuhr.



Quetschgefahr. Halten Sie sich von Teilen fern, die sich bewegen.



Halten Sie alle Körperteile von der Scheibe und allen anderen beweglichen Teilen fern.



Der Pfeil auf dem Klingenschutz zeigt die Rotationsrichtung der Trennscheibe an.



Stellen Sie den Motor stets ab und lassen Sie ihn abkühlen, bevor Sie Kraftstoff nachfüllen.



Bleifreies Benzin mit maximal 10 % Ethanol.



Explosiver Kraftstoff kann zu Bränden und schweren Brandverletzungen führen.



Stellen Sie den Motor immer ab, bevor Sie mit dem Betanken beginnen. Befüllen Sie den Kraftstofftank nur bis 16 mm (5/8 Zoll) unter die Oberkante, damit sich der Kraftstoff ausdehnen kann. Lesen Sie die Bedienungsanleitung und die Betriebsanleitung für den Kohler-Motor.



Heißer Schalldämpfer, nicht berühren



EIN



AUS



Motoröl bis zum richtigen Füllstand auffüllen.



Lesen Sie die Betriebsanleitung für den Staubabsauger und machen Sie sich damit vertraut.



Um das Gerät anzuheben, befestigen Sie das Hebezeug an der Hebeöse des Geräts.



Lassen Sie den Griff los, um die Trennscheibe durch Schwerkraft abzusinken. Um Schäden an der Trennscheibe zu vermeiden, halten Sie das Gerät fest und senken die Trennscheibe vorsichtig ab.



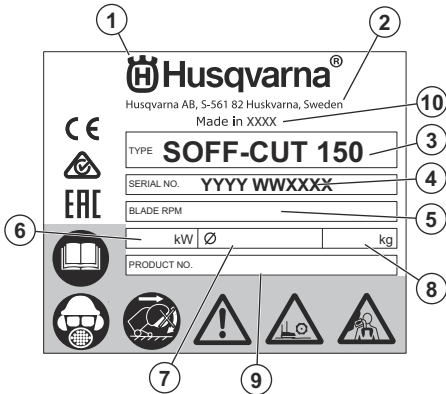
Dieses Gerät entspricht den geltenden EG-Richtlinien.



Umweltbelastende Geräuschemissionen entsprechen den maßgeblichen EU-Richtlinien. Die Geräuschemission des Geräts ist unter *Technische Daten auf Seite 61* und auf dem Etikett angegeben.

**Hinweis:** Weitere Symbole/Aufkleber auf dem Gerät beziehen sich auf die Zertifizierungsanforderungen für andere kommerzielle Bereiche.

## Typenschild



1. Hersteller
2. Herstelleradresse
3. Modell
4. Seriennummer: Produktionsjahr, Produktionswoche und fortlaufende Nummer
5. Trennscheibendrehzahl
6. Motorleistung
7. Maximale Abmessung der Trennscheibe
8. Gerätegewicht
9. Gerätenummer
10. Herstellungsland

## Produkthaftung

Im Sinne der Produkthaftungsgesetze übernehmen wir keine Haftung für Schäden, die unser Gerät verursacht, wenn...

- das Gerät nicht ordnungsgemäß repariert wird.
- das Gerät mit Teilen repariert wird, die nicht vom Hersteller stammen oder nicht vom Hersteller zugelassen sind.
- ein Zubehörteil mit dem Gerät verwendet wird, das nicht vom Hersteller stammt oder nicht vom Hersteller zugelassen ist.
- das Gerät nicht bei einem zugelassenen Service Center oder von einem zugelassenen Fachmann repariert wird.

## Sicherheit

### Sicherheitsdefinitionen

Warnungen, Vorsichtsmaßnahmen und Hinweise werden verwendet, um auf besonders wichtige Teile der Bedienungsanleitung hinzuweisen.



**WARNUNG:** Wird verwendet, wenn bei Nichtbeachtung der Anweisungen in diesem Handbuch die Gefahr von Verletzung oder Tod des Bedieners oder anderer Personen besteht.



**ACHTUNG:** Wird verwendet, wenn bei Nichtbeachtung der Anweisungen in diesem Handbuch die Gefahr von Schäden am Gerät, an anderen Materialien oder in der Umgebung besteht.

**Hinweis:** Für weitere Informationen, die in bestimmten Situationen nötig sind.

### Allgemeine Sicherheitshinweise



**WARNUNG:** Lesen Sie die folgenden Warnhinweise, bevor Sie das Gerät benutzen.

- Dieses Gerät ist ein gefährliches Werkzeug, wenn Sie nicht aufpassen oder es unsachgemäß verwenden. Dieses Gerät kann schwere oder tödliche Verletzungen des Bedieners oder anderer Personen verursachen. Es ist sehr wichtig, dass Sie vor der Anwendung des Geräts den Inhalt dieser Bedienungsanleitung gelesen und verstanden haben.
- Bewahren Sie alle Warn- und Sicherheitshinweise auf.
- Halten Sie alle geltenden Gesetze und Vorschriften ein.
- Der Bediener und dessen Arbeitgeber müssen die mit dem Betrieb des Geräts verbundenen Gefahren kennen und vermeiden.

- Untersagen Sie allen Personen die Benutzung des Geräts, bis diese den Inhalt der Bedienungsanleitung gelesen und verstanden haben.
- Verwenden Sie das Gerät nicht, ohne vorher dafür geschult worden zu sein. Stellen Sie sicher, dass alle Bediener Schulungen erhalten.
- Lassen Sie nicht zu, dass Kinder das Gerät verwenden.
- Es dürfen nur zugelassene Personen mit dem Gerät arbeiten.
- Der Bediener ist für Unfälle verantwortlich, die anderen Personen zustoßen oder an deren Eigentum entstehen.
- Verwenden Sie das Gerät nicht, wenn Sie müde oder krank sind oder unter Einfluss von Alkohol, Drogen oder Medikamenten stehen.
- Lassen Sie immer Vorsicht walten, und arbeiten Sie mit gesundem Menschenverstand.
- Dieses Gerät erzeugt beim Betrieb ein elektromagnetisches Feld. Dieses Feld kann sich unter bestimmten Bedingungen auf die Funktionsweise aktiver oder passiver medizinischer Implantate auswirken. Um die Gefahr von Situationen, die zu schweren oder tödlichen Verletzungen führen können, zu verringern, sollten Personen mit einem medizinischen Implantat vor der Nutzung dieses Gerätes mit ihrem Arzt und dem Hersteller des Implantats sprechen.
- Halten Sie das Gerät sauber. Stellen Sie sicher, dass Symbole und Aufkleber deutlich lesbar sind.
- Verwenden Sie das Gerät nicht, wenn es defekt ist.
- Nehmen Sie keine Modifikationen am Gerät vor.
- Bedienen Sie das Gerät nicht, wenn die Möglichkeit besteht, dass andere Personen Modifikationen daran durchgeführt haben.

## Sicherheitshinweise für den Betrieb

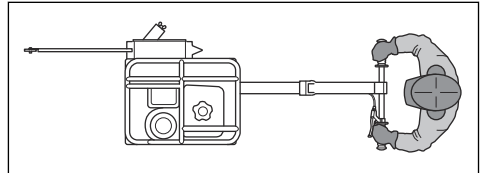


**WARNUNG:** Lesen Sie die folgenden Warnhinweise, bevor Sie das Gerät benutzen.

- Lesen Sie die Warnhinweise, die vom Hersteller der Trennscheibe für deren Nutzung bereitgestellt werden.
- Stellen Sie sicher, dass das Gerät korrekt zusammengebaut ist.
- Das Gerät nur mit montiertem Klingenschutz und Schutzabdeckungen starten.
- Die fehlerhafte Bedienung des Geräts kann dazu führen, dass die Trennscheibe bricht und Verletzungen sowie Schäden verursacht.
- Stellen Sie sicher, dass Sie wissen, wie der Motor in einem Notfall schnell gestoppt werden kann.
- Tragen Sie eine persönliche Schutzausrüstung. Siehe *Persönliche Schutzausrüstung auf Seite 40*.
- Halten Sie bei laufendem Motor einen sicheren Abstand von der Trennscheibe. Versuchen Sie nicht,

eine sich drehende Trennscheibe mit einem Körperteil zu stoppen. Das Berühren einer drehenden Trennscheibe kann auch bei ausgeschaltetem Motor zu schweren oder tödlichen Verletzungen führen.

- Stellen Sie sicher, dass sich nur befugte Personen im Arbeitsbereich befinden.
- Stellen Sie sicher, dass die elektrischen Kabel im Arbeitsbereich nicht stromführend sind.
- Achten Sie auf einen sauberen und hellen Arbeitsbereich.
- Bedienen Sie das Gerät stets von hinten, und halten Sie beide Hände am Bediengriff.



- Achten Sie während der Arbeit auf eine sichere und stabile Position.
- Bevor Sie sich vom Gerät entfernen, schalten Sie den Motor ab, und vergewissern Sie sich, dass keine Gefahr eines versehentlichen Starts besteht.
- Das Gerät hat keine Handbremse. Entfernen Sie sich nicht vom Gerät, wenn es auf einem Hang steht. Wenn das Gerät an einem Hang geparkt wird, stellen Sie sicher, dass es hinreichend befestigt ist und sich nicht bewegen kann.
- Seien Sie sehr vorsichtig, wenn Sie an Hängen arbeiten. Das Gerät ist schwer und kann beim Abrutschen schwere Verletzungen verursachen.
- Stellen Sie sicher, dass sich kein Material lösen und den Bediener verletzen kann.
- Sorgen Sie dafür, dass sich Kleidung, langes Haar und Schmuck nicht in beweglichen Teilen verfangen können.
- Setzen oder stellen Sie sich nicht auf das Gerät.
- Bleiben Sie vom Pfad der Klinge entfernt, wenn der Motor eingeschaltet ist.
- Bedienen Sie das Gerät nur dann, wenn Sie bei einem Unfall Hilfe bekommen können.
- Verwenden Sie das Gerät nicht für den Transport von Personen oder Ausrüstungsgegenständen.
- Stellen Sie sich nicht mit den Füßen auf das Gerät.
- Stellen Sie sicher, dass die Trennscheibe nicht den Boden oder eine andere Oberfläche berührt, wenn das Gerät bewegt wird.
- Überlasten Sie das Gerät nicht. Überlastung kann das Gerät beschädigen.

## Sicherheit im Arbeitsbereich



**WARNUNG:** Lesen Sie die folgenden Warnhinweise, bevor Sie das Gerät benutzen.

- Das Gerät kann Objekte mit hoher Geschwindigkeit auswerfen. Stellen Sie sicher, dass alle Personen im Arbeitsbereich zugelassene persönliche Schutzausrüstung tragen. Siehe *Persönliche Schutzausrüstung auf Seite 40*. Entfernen Sie lose Gegenstände aus dem Arbeitsbereich.
- Stellen Sie sicher, dass sich keine Tiere und unbefugten Personen im Arbeitsbereich befinden.
- Verwenden Sie das Gerät erst, wenn der Arbeitsbereich frei ist und Ihre Füße und Ihr Körper in einer stabilen Position sind.
- Achten Sie auf Personen, Gegenstände und Situationen, die einen sicheren Betrieb des Geräts verhindern könnten.
- Stellen Sie sicher, dass keine Personen oder Gegenstände mit der Schneidausrüstung in Berührung kommen oder von Teilen getroffen werden können, die von der Trennscheibe umhergeschleudert werden.
- Verwenden Sie das Gerät nicht bei Nebel, Regen, starkem Wind, kaltem Wetter, Gewittergefahr oder anderen schlechten Wetterbedingungen. Die Verwendung des Geräts bei schlechtem Wetter kann einen negativen Einfluss auf Ihre Aufmerksamkeit haben. Schlechtes Wetter kann gefährliche Arbeitsbedingungen wie rutschige Oberflächen verursachen.
- Stellen Sie während der Verwendung des Geräts sicher, dass sich kein Material löst und herunterfällt und der Bediener verletzt wird.
- Seien Sie sehr vorsichtig, wenn Sie das Gerät an einem Hang einsetzen.
- Achten Sie auf einen sauberen und hellen Arbeitsbereich.
- Bevor Sie das Gerät in Betrieb nehmen, überprüfen Sie, ob im Arbeitsbereich versteckte Gefahren wie elektrische Kabel, Wasser- und Gasleitungen und brennbare Substanzen vorhanden sind. Wenn das Gerät auf ein verborgenes Objekt trifft, halten Sie den Motor sofort an, und prüfen Sie Gerät und Objekt. Nehmen Sie das Gerät erst wieder in Betrieb, nachdem Sie sich vergewissert haben, dass der weitere Betrieb sicher ist.
- Stellen Sie vor dem Schneiden in ein Fass, ein Rohr oder einen anderen Behälter sicher, dass dieser keine entflammbaren oder anderen Stoffe enthält, die Feuer oder Explosionen verursachen können.
- Verwenden Sie das Gerät nicht in Bereichen, in denen Feuer oder Explosionen auftreten können.

vermindert aber den Umfang der Verletzungen und Schäden bei einem Unfall. Lassen Sie sich bei der Auswahl der korrekten persönlichen Schutzausrüstung von Ihrem Händler beraten.

- Überprüfen Sie regelmäßig den Zustand der persönlichen Schutzausrüstung.
- Verwenden Sie einen zugelassenen Schutzhelm.
- Tragen Sie einen zugelassenen Gehörschutz.
- Tragen Sie einen zugelassenen Atemschutz.
- Tragen Sie einen zugelassenen Augenschutz mit seitlicher Abschirmung. Es besteht hohes Verletzungsrisiko für die Augen durch umherfliegende Gegenstände.
- Tragen Sie stets Schutzhandschuhe.
- Tragen Sie Stiefel mit Stahlkappe und rutschfester Sohle.
- Tragen Sie zugelassene Arbeitskleidung oder gleichwertige, eng anliegende Kleidung mit langen Ärmeln und langen Hosenbeinen.

### Feuerlöscher

- Halten Sie in der Nähe des Arbeitsbereichs einen Feuerlöscher griffbereit.
- Verwenden Sie einen Pulver-Feuerlöscher der Klasse „ABE“ oder einen Kohlendioxid-Feuerlöscher des Typs „BE“.

### Sicherheitsvorrichtungen am Gerät



**WARNUNG:** Lesen Sie die folgenden Warnhinweise, bevor Sie das Gerät benutzen.

- Benutzen Sie kein Gerät mit defekten Sicherheitsvorrichtungen. Führen Sie regelmäßig eine Überprüfung der Sicherheitsvorrichtungen durch. Wenn die Sicherheitsvorrichtungen defekt sind, wenden Sie sich an Ihre Husqvarna-Serviceverkstatt.
- Führen Sie keine Änderungen an den Sicherheitsvorrichtungen durch. Verwenden Sie das Gerät nicht, wenn Schutzbleche, Schutzabdeckungen, Sicherheitsschalter oder anderen Schutzvorrichtungen sind nicht angebracht oder defekt sind.

### Persönliche Schutzausrüstung



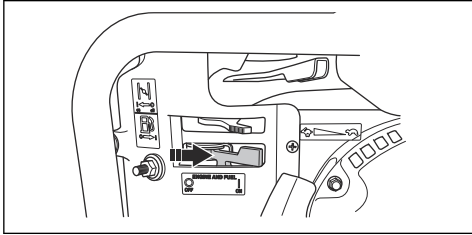
**WARNUNG:** Lesen Sie die folgenden Warnhinweise, bevor Sie das Gerät benutzen.

- Verwenden Sie stets die vorgeschriebene persönliche Schutzausrüstung bei der Bedienung des Geräts. Die persönliche Schutzausrüstung kann Verletzungen nicht vollständig vermeiden,

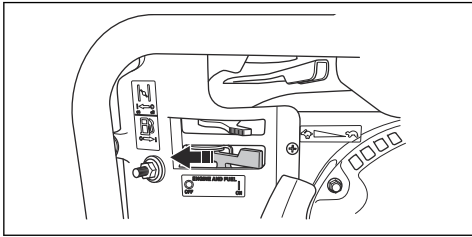


### So prüfen Sie den EIN-/AUS-Schalter

- Stellen Sie sicher, dass der Motor angelassen wird und die Trennscheibe sich zu drehen beginnt, wenn Sie den Schalter auf EIN stellen.

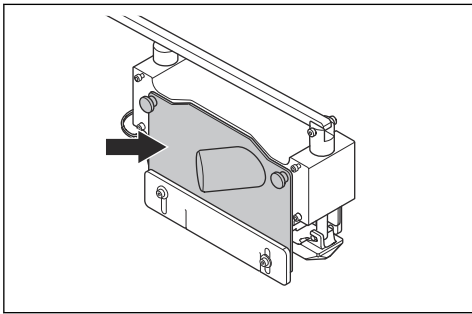


- Stellen Sie sicher, dass der Motor sofort ausgeht, wenn Sie den Schalter auf AUS stellen.



### Trennscheibenblockschutz

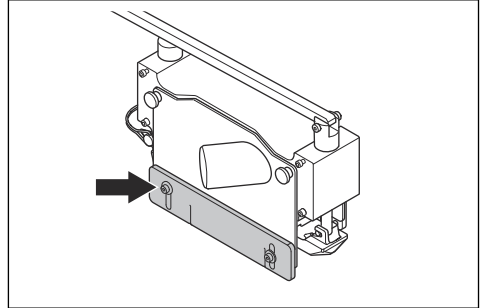
Der Trennscheibenblockschutz bietet Schutz vor der sich drehenden Trennscheibe und hält Staub vom Fahrer weg.



### Lexan™-Abdeckung

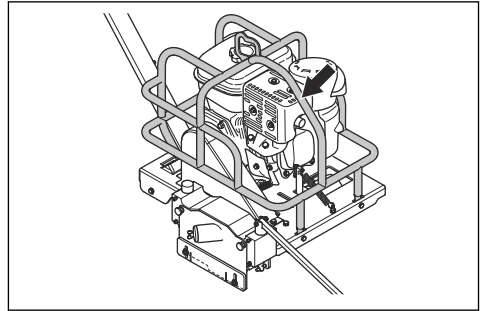
Die Lexan™-Abdeckung hält Staub vom Bediener fern. Außerdem wird verhindert, dass Partikel umher geschleudert werden. Stellen Sie sicher, dass die

Lexan™-Abdeckung frei nach oben und unten bewegt werden kann.



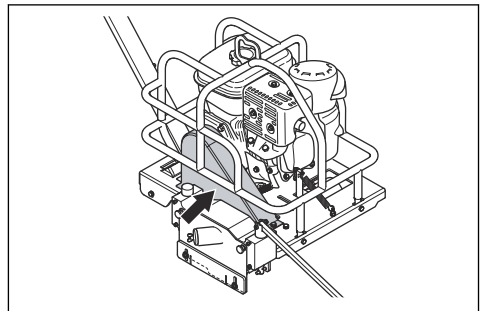
### Sicherheitsrahmen

Der Sicherheitsrahmen verhindert Schäden an Gerät und Motor sowie Verletzungen des Bedieners.



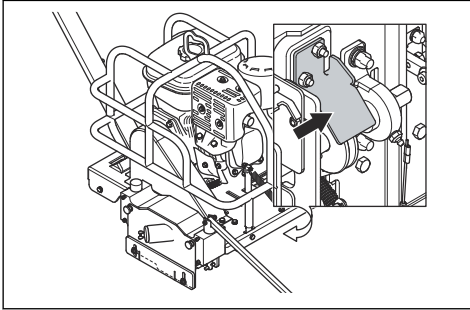
### Riemenschutz

Der Riemenschutz schützt die Riemenscheibe der Trennscheibenwelle und den Riemen.



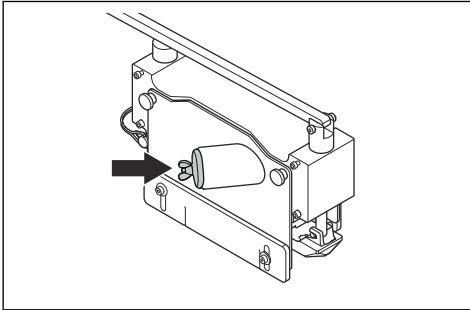
## Riemenscheibenschutz

Der Riemenschutz bietet Schutz vor der Riemenscheibe der Trennscheibenwelle.



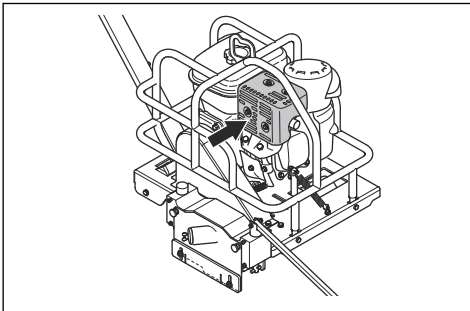
## Stopfen für den Staubabsaugeranschluss

Bringen Sie stets den Stopfen an, wenn das Gerät nicht an einen Staubabsauger angeschlossen ist.



## Schalldämpferschutz

Der Schalldämpferschutz verhindert Verbrennungen durch den heißen Schalldämpfer



## So überprüfen Sie die Schutzvorrichtung

1. Überprüfen Sie den Trennscheibenblock und den Trennscheibenblockschutz, die Lexan™-Abdeckung, den Riemenscheibenschutz, den Sicherheitsrahmen, den Riemenschutz und den Stopfen auf Beschädigung.
2. Tauschen Sie beschädigte Schutzvorrichtungen aus.
3. Stellen Sie vor dem Start des Geräts sicher, dass die Schutzvorrichtungen korrekt befestigt sind.

## Sicherer Umgang mit Kraftstoff



**WARNUNG:** Lesen Sie die folgenden Warnhinweise, bevor Sie das Gerät benutzen.

- Kraftstoff ist feuergefährlich; durch die ausströmenden Dämpfe besteht Explosionsgefahr. Um Verletzungen, Feuer oder Explosionen zu vermeiden, seien Sie beim Umgang mit Kraftstoff vorsichtig.
- Atmen Sie die Kraftstoffdämpfe nicht ein. Die Kraftstoffdämpfe sind giftig und können Verletzungen verursachen. Achten Sie auf ausreichende Belüftung.
- Entfernen Sie nicht den Tankdeckel oder füllen den Kraftstofftank, wenn der Motor eingeschaltet ist.
- Lassen Sie den Motor vor dem Auftanken abkühlen.
- Füllen Sie Kraftstoff nicht in geschlossenen Räumen auf. Eine mangelhafte Luftzirkulation kann zu schweren oder tödlichen Verletzungen durch Ersticken oder eine Kohlenmonoxidvergiftung führen.
- Rauchen Sie nicht in der Nähe des Kraftstoffs oder des Motors.
- Stellen Sie keine heißen Gegenstände in der Nähe des Kraftstoffs oder des Motors ab.
- Füllen Sie Kraftstoff nicht in der Nähe von Funken oder Feuer ein.
- Öffnen Sie vor dem Nachfüllen den Tankdeckel langsam und lassen Sie den Druck vorsichtig entweichen.
- Kraftstoff auf der Haut kann Verletzungen verursachen. Wenn Kraftstoff auf Ihre Haut gelangt, waschen Sie diesen mit Wasser und Seife ab.
- Wechseln Sie sofort die Kleidung, wenn Sie Kraftstoff darauf verschütten.
- Füllen Sie den Kraftstofftank nicht vollständig auf. Durch Hitze dehnt sich der Kraftstoff aus. Lassen Sie deshalb einen Freiraum im oberen Bereich des Kraftstofftanks.
- Schrauben Sie den Kraftstofftankdeckel fest zu. Wenn der Tankverschluss nicht fest zugeschraubt ist, besteht Feuergefahr.
- Bevor Sie das Gerät starten, entfernen Sie es mindestens 3 m vom Auffüllort.
- Starten Sie das Gerät nicht, wenn sich Kraftstoff oder Öl darauf befindet. Entfernen Sie Kraftstoff oder

Motoröl an unerwünschten Stellen vom Gerät und lassen Sie das Gerät trocknen, bevor Sie den Motor starten.

- Überprüfen Sie den Motor regelmäßig auf Undichtigkeiten. Starten Sie den Motor bei einer Leckage im Kraftstoffsystem nicht, bis die Undichtigkeiten repariert werden.
- Suchen Sie den Motor nicht mit den Händen nach Undichtigkeiten ab.
- Bewahren Sie Kraftstoff nur in zugelassenen Behältern auf.
- Wenn Sie das Gerät und den Kraftstoff lagern, stellen Sie sicher, dass Kraftstoff und Kraftstoffdämpfe keinen Schaden verursachen können.
- Leeren Sie den Kraftstoff im Freien und abseits von Feuer und Funken in einen für Kraftstoff zugelassenen Behälter.

## Abgase – Sicherheit



**WARNUNG:** Lesen Sie die folgenden Warnhinweise, bevor Sie das Produkt benutzen.

- Die Abgase des Motors enthalten Kohlenmonoxid – ein geruchloses, giftiges und sehr gefährliches Gas. Das Einatmen von Kohlenmonoxid kann tödlich sein. Da Kohlenmonoxid geruchs- und farblos ist, kann es nicht wahrgenommen werden. Bei einer Kohlenmonoxidvergiftung kann es zu Schwindelsymptomen kommen, aber es ist auch möglich, dass eine Person ohne Vorwarnung bewusstlos wird, wenn die Menge oder Konzentration an Kohlenmonoxid dafür hoch genug ist.
- Abgase enthalten auch unverbrannte Kohlenwasserstoffe einschließlich Benzen. Das Einatmen über einen längeren Zeitraum kann zu gesundheitlichen Problemen führen.
- Abgase, die Sie sehen oder riechen können, enthalten auch Kohlenmonoxid.
- Verwenden Sie ein Gerät mit Verbrennungsmotor nicht in Innenräumen oder in Bereichen ohne ausreichende Luftzufuhr.
- Atmen Sie die Abgase nicht ein.
- Stellen Sie sicher, dass der Arbeitsbereich ausreichend belüftet ist. Das ist besonders wichtig, wenn Sie das Gerät in Gräben oder anderen engen Arbeitsbereichen verwenden, wo sich Abgase leicht sammeln können.

## Vibrationen Sicherheit



**WARNUNG:** Lesen Sie die folgenden Warnhinweise, bevor Sie das Produkt benutzen.

- Beim Betrieb des Geräts kommt es zu Vibrationen, die vom Gerät auf den Anwender übertragen

werden. Regelmäßiger und häufiger Betrieb des Geräts kann zu Verletzungen des Anwenders führen oder Symptome verstärken. Es kann zu Verletzungen an Fingern, Händen, Handgelenken, Armen, Schultern und/oder Nerven sowie bei der Blutversorgung oder an anderen Körperteilen kommen. Die Verletzungen können händlich und/oder chronisch werden und sich allmählich über Wochen, Monate oder Jahre hinweg verstärken. Zu möglichen Verletzungen können Schäden am Blutkreislauf, am Nervensystem, an Gelenken und anderen Körperteilen gehören.

- Symptome können während des Betriebs des Geräts oder zu einem anderen Zeitpunkt auftreten. Wenn Sie bereits Symptome haben und das Gerät weiter bedienen, können sich die Symptome verstärken oder chronisch werden. Wenn Sie diese oder andere Symptome an sich bemerken, wenden Sie sich an einen Arzt:

- Taubheit, Gefühlsverlust, Kribbeln, Stechen, Schmerz, Brennen, Pochen, Steifheit, Schwerfälligkeit, Verlust von Kraft, Veränderungen an Hautfarbe oder Hautzustand.
- Bei niedrigen Temperaturen können sich die Symptome verstärken. Tragen Sie warme Kleidung und halten Sie Ihre Hände warm und trocken, wenn Sie das Gerät in kalten Umgebungen betreiben.
- Warten und betreiben Sie das Gerät gemäß den Anweisungen der Bedienungsanleitung, um einen vorschrittmäßigen Vibrationspegel sicherzustellen.
- Das Gerät verfügt über ein Antivibrationssystem, das die Vibrationen an den Griffen für den Bediener reduziert. Lassen Sie das Gerät die Arbeit verrichten. Drücken Sie das Gerät nicht mit Kraft. Halten Sie das Produkt leicht an den Griffen fest, aber stellen Sie sicher, dass Sie es kontrollieren und sicher bedienen. Drücken Sie das Gerät nicht häufiger als nötig in die Endanschläge.
- Platzieren Sie Ihre Hände nur auf dem Griff bzw. den Griffen. Halten Sie alle anderen Körperteile vom Gerät fern.
- Stoppen Sie das Gerät sofort, wenn plötzlich starke Vibrationen auftreten. Setzen Sie den Betrieb erst fort, wenn die Ursache für die gesteigerten Vibrationen beseitigt wurde.

## Staubtechnische Sicherheit



**WARNUNG:** Lesen Sie die folgenden Warnhinweise, bevor Sie das Gerät verwenden.

- Der Betrieb des Geräts kann Staub in der Luft verursachen. Staub kann ernsthafte Verletzungen und permanente Gesundheitsprobleme verursachen. Silikatstaub wurde von verschiedenen Behörden als schädlich eingestuft. Dies sind Beispiele für derartige Gesundheitsprobleme:
  - Die tödlichen Lungenkrankheiten chronische Bronchitis, Silikose und Lungenfibrose

## Sicherheitshinweise für die Wartung



**WARNUNG:** Lesen Sie die folgenden Warnhinweise, bevor Sie das Gerät benutzen.

- Tragen Sie eine persönliche Schutzausrüstung. Siehe *Persönliche Schutzausrüstung auf Seite 40*.
- Wenn die Wartung nicht ordnungsgemäß und regelmäßig erfolgt, erhöht sich die Verletzungsgefahr und das Risiko für eine Beschädigung des Produkts.
- Stellen Sie den Motor aus und lassen Sie das Gerät abkühlen, bevor Sie Wartungsarbeiten durchführen.
- Reinigen Sie das Gerät und entfernen Sie gefährliches Material vor der Wartung.
- Trennen Sie die Zündkappe vor Beginn der Wartung.
- Die Abgase des Motors sind heiß und können Funken schlagen. Betreiben Sie das Gerät nicht im Innenbereich oder in der Nähe von brennbaren Materialien.
- Verändern Sie das Gerät nicht. Änderungen am Gerät, die vom Hersteller nicht genehmigt wurden, können zu schweren Verletzungen oder zum Tod führen.
- Verwenden Sie stets Originalersatzteile und Originalzubehör. Zubehör und Ersatzteile, die vom Hersteller nicht genehmigt wurden, können zu schweren Verletzungen oder zum Tod führen.
- Ersetzen Sie beschädigte, abgenutzte oder defekte Teile.
- Führen Sie nur Wartungsarbeiten durch, die gemäß dieser Betriebsanleitung vorgegeben sind. Lassen Sie alle anderen Wartungsarbeiten von einem autorisierten Servicecenter durchführen.
- Entfernen Sie alle Werkzeuge vom Gerät, bevor Sie den Motor nach der Wartung starten. Lose Werkzeuge oder Werkzeuge, die an sich drehenden Teilen befestigt sind, könnten herauskatapultiert werden und Verletzungen verursachen.
- Lassen Sie das Gerät in einem autorisierten Servicecenter regelmäßig warten.

- Krebs
- Angeborene Fehlbildungen
- Hautentzündung
- Verwenden Sie eine angemessene Ausstattung, um die Menge von Staub und Dämpfen in der Luft und den Staub auf Arbeitsgeräten, Oberflächen, Kleidung und Körperteilen zu verringern. Beispiele dafür sind Staubsammelanlagen und Wassernebel zum Binden des Staubs. Reduzieren Sie den Staub an der Quelle, falls möglich. Stellen Sie sicher, dass die Ausstattung korrekt montiert ist und verwendet wird und dass sie regelmäßig gewartet wird.
- Tragen Sie einen zugelassenen Atemschutz. Stellen Sie sicher, dass der Atemschutz für die gefährlichen Materialien im Arbeitsbereich geeignet ist.
- Stellen Sie sicher, dass der Arbeitsbereich ausreichend belüftet ist.
- Falls möglich, richten Sie den Auspuff des Geräts dahin, wo er keinen Staub in der Luft verursachen kann.

## Lärm – Sicherheit



**WARNUNG:** Lesen Sie die folgenden Warnhinweise, bevor Sie das Produkt benutzen.

- Ein hoher Geräuschpegel und Lärmbelastung über einen langen Zeitraum können zu lärmbedingten Hörschäden führen.
- Um den Geräuschpegel auf einem Minimum zu halten, warten und betreiben Sie das Gerät gemäß den Anweisungen der Bedienungsanleitung
- Überprüfen Sie den Schalldämpfer auf Schäden und Defekte. Stellen Sie sicher, dass der Schalldämpfer fest am Produkt montiert ist.
- Tragen Sie einen zugelassenen Gehörschutz beim Arbeiten mit dem Gerät.
- Beachten Sie Warnsignale und Stimmen, wenn Sie einen Gehörschutz tragen. Entfernen Sie den Gehörschutz, wenn das Gerät ausgeschaltet wird, es sei denn, er ist bei dem Geräuschpegel in Ihrem Arbeitsbereich erforderlich.

## Montage

### Einleitung



**WARNUNG:** Vor dem Betrieb des Gerätes müssen Sie die Sicherheitsinformationen lesen und verstehen.



**WARNUNG:** Ziehen Sie den Zündkerzenstecker von der Zündkerze ab, bevor Sie das Gerät zusammenbauen.

### So montieren Sie die Trennscheibe und die Gleitplatte

1. Montieren Sie die Trennscheibe. Siehe *So installieren Sie eine Trennscheibe auf Seite 51*.
2. Montieren Sie die Gleitplatte. Siehe *So installieren Sie eine Trennscheibe auf Seite 51*.

## Einleitung



**WARNUNG:** Vor dem Betrieb des Gerätes müssen Sie die Sicherheitsinformationen lesen und verstehen.

## Grundlegende Arbeitstechnik

### Schlitzte und Abstand der Schlitzte

Wenn Beton abbindet oder aushärtet und sich setzt, entstehen interne Spannungen, die zu gelegentlichen Rissen führen können.

Risse lassen Zweifel hinsichtlich der Qualität und Verarbeitung des Betons aufkommen. In den Beton werden Schlitzte geschnitten, um diese Spannungen abzuleiten, bevor sie sich in Form von Rissen entladen.

Das Soff-Cut Ultra Early Entry-System kontrolliert vereinzelte Risse durch rechtzeitiges Schneiden an vordefinierten Stellen, um im Beton schwächere Bereiche zu schaffen, die anschließend am unteren Rand des Schnitts reißen, um für Entlastung zu sorgen.

Die erstellten Schlitzte müssen mindestens 1/8 der Betontiefe und mindestens 25 mm tief sein.

Sägen Sie Dehnungsfugen, wenn der Beton das Gewicht des Geräts und des Bedieners hält. Stellen Sie sicher, dass das Gerät auf dem Beton keine Spuren hinterlässt oder Schäden am Beton verursacht.

Schlitzte können auf viele verschiedene Arten angelegt werden. Das Layout ist vorzulegen. Der Sägedienstleister muss vor dem Schneiden ein detailliertes Layout zur Genehmigung vorlegen.

Es gibt viele Bedingungen, die sich auf den Abstand der Schlitzte auswirken.

- Betondicke
- Art, Anzahl und Ort der Verstärkungen
- Schrumpfpotenzial des Beton-Zements (Art, Menge), Zuschläge (Größe, Menge, Qualität), Verhältnis von Wasser und Zement, Beimischungen, Betontemperatur
- Grundreibung
- Plattenhalterungen
- Layout von Fundamenten, Racks, Senken, Ausrüstungstischen, Gräben etc.
- Umweltfaktoren – Temperatur, Wind, Luftfeuchtigkeit
- Methoden und Qualität der Betonaushärtung

Generell sollten die Schlitzmuster Bereiche in ungefähr rechteckige Platten mit dem in der Tabelle angegebenen, empfohlenen Abstand aufteilen.

Betondicke (mm)	Maximalabstand (m)
90 (3,5)	2,4 (8)

Betondicke (mm)	Maximalabstand (m)
100, 114 (4, 4,5)	3,0 (10)
125, 140 (5, 5,5)	3,6 (12)
150 (6) oder größer	4,5 (15)

Installieren Sie an allen Schnittpunkten Husqvarna Schutzabdeckungen, um Schäden zu vermeiden. Installieren Sie eine zusätzliche Abdeckung, wenn das rechte Rad über den Schnittpunkt fährt, um Schäden zu vermeiden.

### Maximieren des Soff-Cut-Systems

„Das Timing der Betonarbeiten – insbesondere Fertigstellen und Ausfugen – ist entscheidend ... Beschäftigt man sich nicht mit diesem Thema, kann dies zu unerwünschten Merkmalen wie Rissbildung in der Betonschicht führen ...“ (Auszug aus dem Vorwort des American Concrete Institute (ACI) 302.1 R-96.)

Das Soff-Cut Ultra Early Entry-System hat die Methoden zur Rissverringering revolutioniert.

Damit der Benutzer mit dem Soff-Cut-System eine ordentliche Arbeit ausführen kann, müssen die folgenden Kriterien erfüllt sein:

- Eine Soff-Cut Ultra Early Entry-Trockenschnittsäge
- Eine Husqvarna-Diamanttrennscheibe für Trockenschnitt der Serie Soff-Cut.
- Eine Husqvarna-Anti-Riss-Gleitplatte montiert mit jeder neuen Diamanttrennscheibe.
- Ein Bediener, der sich mit dem Soff-Cut Ultra Early Entry- Schneidsystem auskennt.

Ohne diese Voraussetzungen können Fugen nicht so geschnitten werden, dass sich Risse vermeiden lassen – aber genau dafür zahlt der Bauherr.

ACI Spec 302.1R-96 erläutert dies am besten:

„Early-Entry-Trockensägen verwenden Trennscheiben mit Diamantbeschichtung und eine Gleitplatte, die zur Vermeidung von Abbröckelungen beiträgt. Das rechtzeitige Austauschen der Gleitplatten ist zur Vermeidung von Schäden unerlässlich. Gleitplatten sollten nach den Empfehlungen des Herstellers ausgetauscht werden ... Ziel des Trockenschneidens ist die Schaffung eines geschwächten Bereichs, sobald eine Fuge geschnitten werden kann ... Aufgrund des Timings dieser Bearbeitung können Fugen geschnitten werden, bevor sich im Beton größere Spannungen entwickeln ...“

In der Bauzeitschrift der Portland Cement Association (PCA) namens „Concrete Floors on the ground“ ist zu lesen:

„Richtig angebrachte Schlitzlöcher können unansehnliche Risse verhindern. Zu den Fugenaspekten, die zur richtigen Platzierung führen, zählen ein gutes Fugenmuster und Layout sowie das rechtzeitige Anbringen ... Das Timing ist beim Fugenschneiden von entscheidender Bedeutung. ...Es wurden leichte und schnelle Sägen entwickelt, um die Fugen kurz nach der Fertigstellung anbringen zu können (häufig innerhalb der ersten zwei Stunden). Werden die Fugen wenige Stunden nach der Fertigstellung geschnitten, lassen sich die Risse kontrollieren ...“.

Husqvarna verfügt über das einzige Ultra Early Entry-Trockenschnittsystem (Soff-Cut), das Risse durch Timing unter Kontrolle bringt. Mit der Soff-Cut-Methode werden Fugen in der Regel innerhalb von 2 Stunden nach der Fertigstellung angebracht.

Mit dem Fugenschneiden sollte begonnen werden, sobald der Beton das Gewicht von Säge und Bediener an den Fugenstellen trägt (vor dem Setzen).

Wenn die Fugen nicht innerhalb dieses Zeitraums geschnitten werden, dann wird die Soff-Cut Ultra Early-Methode nicht angewandt.

## Bevor Sie das Produkt in Betrieb nehmen

1. Warten Sie das Gerät täglich. Siehe *Wartungsplan auf Seite 49*.
2. Stellen Sie sicher, dass sich der Griff in der aufrechten Stellung befindet und dass der Sicherungsstift installiert ist.
3. Stellen Sie sicher, dass die vordere Führung nach vorn gedreht ist.
4. Füllen Sie den Öltank. Informationen zum empfohlenen Motoröl, siehe *Technische Daten auf Seite 61*.
5. So prüfen Sie den Ölstand. Siehe *So prüfen Sie den Ölstand auf Seite 54*.

## So füllen Sie Kraftstoff ein



**WARNUNG:** Füllen Sie keine Behälter, wenn Sie sich in einem Fahrzeug befinden. Brandgefahr. Stellen Sie den Kanister zum Befüllen auf den Boden und vom Fahrzeug entfernt auf.



**ACHTUNG:** Verwenden Sie kein Benzin mit einer geringeren Oktanzahl als 90 RON (87 AKI). Dadurch kann das Gerät beschädigt werden.



**ACHTUNG:** Verwenden Sie bleifreien Kraftstoff. Verwenden Sie kein bleifreies Benzin, das mehr als 10 % Ethanol enthält. Bei Kraftstoff mit mehr als 10 % Ethanol besteht Brandgefahr und es kann auch zu Start- und Leistungsproblemen kommen.

Außerdem können Metall-, Gummi- und Kunststoffteile des Kraftstoffsystems beschädigt werden.



**ACHTUNG:** Verwenden Sie kein Benzin, das Methanol enthält.



**ACHTUNG:** Bewahren Sie Kraftstoff nicht länger als 30 Tage in einem Behälter auf. Alter Kraftstoff kann das Gerät beschädigen.

1. Bewegen Sie das Gerät vom Transportfahrzeug und setzen Sie es auf dem Boden auf. Ist dies nicht möglich, befüllen Sie das Gerät mit Kraftstoff aus einem Kanister und nicht aus einer Zapfpistole nach.

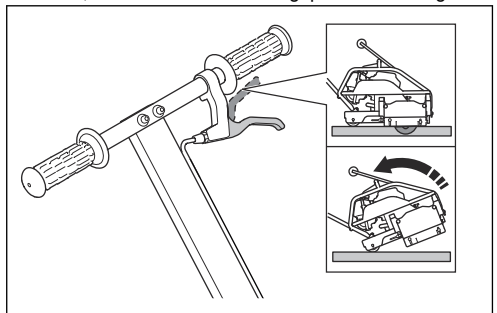


**WARNUNG:** Verwenden Sie nur zugelassene Kraftstoffbehälter.

2. Öffnen Sie den Tankdeckel langsam, damit der Druck entweichen kann.
3. Stellen Sie sicher, dass die Zapfpistole die Oberkante der Kraftstofftanköffnung berührt, bis der Kraftstofftank voll ist. Verwenden Sie keine Vorrichtung zum dauerhaften Offenhalten des Zapfhahns.
4. Säubern Sie den Bereich rund um den Tankdeckel.
5. Schrauben Sie den Tankdeckel fest zu. Wenn der Tankdeckel nicht fest zugeschraubt ist, besteht Feuergefahr.
6. Bewegen Sie das Gerät vor dem Starten mindestens 3 m (10 ft) von der Stelle fort, an der Sie den Tank befüllt hatten.

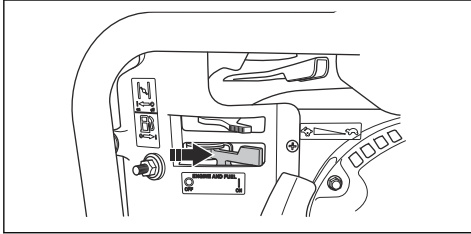
## So lassen Sie den Motor an

1. Ziehen und halten Sie den Entriegelungshebel, wenn Sie das Gerät kippen. Drücken Sie den Lenker nach unten, um das Gerät in die Neigeposition zu bringen.

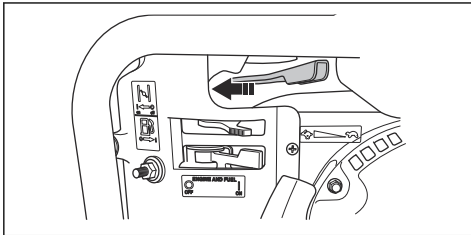


2. Lösen Sie den Hebel, um das Gerät in der Neigeposition zu verriegeln.

3. Bringen Sie den ON/OFF-Schalter für den Motor in die Stellung ON (I). In der Stellung ON (EIN) ist das Kraftstoffventil ebenfalls offen.



4. Bewegen Sie den Gashebel  $\frac{1}{3}$  nach links in die geöffnete Position.

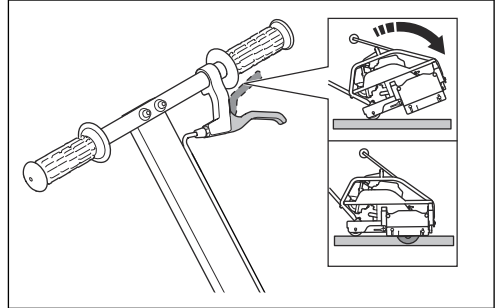


5. Bringen Sie den Choke-Hebel in die richtige Position.
- Schließen Sie den Choke, wenn der Motor kalt ist.
  - Öffnen Sie den Choke, wenn der Motor warm oder die Umgebungstemperatur hoch ist.

**Hinweis:** Mit geschlossenem Choke wird das Kraftstoffgemisch für einen Kaltstart verbessert. Bei offenem Choke wird die richtige Mischung für den Betrieb nach dem Start und für den Warmstart eines Motors bereitgestellt.

- Ziehen Sie langsam am Startseilhandgriff, bis Sie Widerstand spüren.
- Lassen Sie den Startseilhandgriff los. Das Startseil wird wieder aufgerollt.
- Ziehen Sie am Startseilhandgriff, bis der Motor anspringt. Die Trennscheibe beginnt sich zu drehen, wenn der Motor läuft.
- Öffnen Sie langsam den Choke-Hebel, bis er vollständig geöffnet ist.
- Lassen Sie den Motor im Leerlauf für 2 bis 3 Minuten laufen, bevor Sie Vollgas geben.

11. Drücken Sie den Griff nach unten, und ziehen Sie den Trennscheibenhebel, um die Trennscheibe langsam in den Beton abzusenken.



## So arbeiten Sie, wenn Staub aufgewirbelt wird

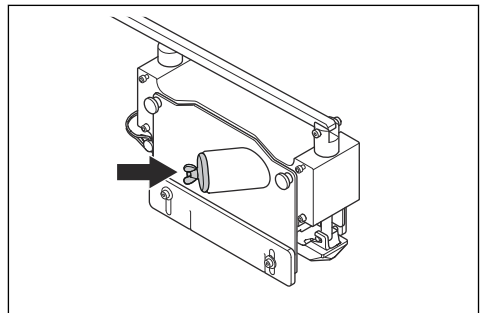
Dieses Gerät verfügt über einen Staubauslass an der Abdeckung des Trennscheibenblocks. Der Staubauslass dient zum Anschließen eines Staubabsaugers.

- Verwenden Sie immer einen -Staubabsauger. Es wird auch empfohlen, einen antistatischen Absaugschlauch zu verwenden.

**Hinweis:** Für Husqvarna-Geräte stehen unter [www.husqvarnacp.com/us/](http://www.husqvarnacp.com/us/) objektive OSHA-Daten zur Verfügung. Die Leistung des Staubabsaugers kann sich im Laufe der Zeit ändern.

## So schließen Sie einen Staubabsauger an das Gerät an

- Drehen Sie die Flügelmutter am Stopfen gegen den Uhrzeigersinn.
- Entfernen Sie den Stopfen aus dem Rohrstück an der Abdeckung des Trennscheibenblocks.
- Schließen Sie einen Staubabsauger an den Trennscheibenblock an.



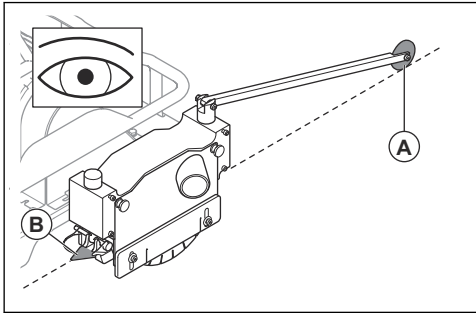
**Hinweis:** Wenn der Staubabsauger nicht mit dem Anschluss am Gerät kompatibel ist, verwenden Sie einen Adapter.

## Um das Gerät in Betrieb zu nehmen, Soff-Cut 150

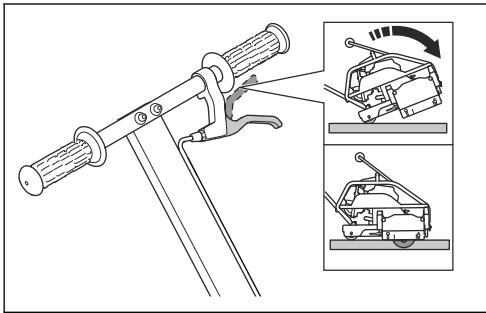


**ACHTUNG:** Stellen Sie sicher, dass keine Gegenstände auf den Trennscheibenblock treffen. Diese können das Gerät beschädigen.

1. Starten Sie den Motor. Siehe *So lassen Sie den Motor an auf Seite 46*.
2. Öffnen Sie den Gashebel des Motors vollständig, um die maximale Motordrehzahl zu erreichen.
3. Richten Sie die vordere Visiereinrichtung (A) und die hintere Visiereinrichtung (B) auf die Linie aus, auf der Sie den Schnitt durchführen möchten.



4. Drücken Sie den Griff nach unten, und ziehen Sie den Trennscheibenhebel, um die Trennscheibe langsam in den Beton abzusenken.



5. Schieben Sie das Gerät nach vorn, um die vordere Visiereinrichtung auf der Schnittlinie zu halten. Schieben Sie das Gerät auf den ersten 50 ft mit halber Geschwindigkeit, wenn eine neue Trennscheibe montiert wurde.
6. Erhöhen Sie die Vorwärtsgeschwindigkeit, bis Trennscheibe und Motor mit maximaler Effizienz arbeiten. Schieben Sie das Gerät nicht mit unnötig großer Kraft nach vorne.
7. Wenn Sie das Gerät in der Nähe einer Wand betreiben, heben Sie die vordere Visiereinrichtung an. Schauen Sie auf die hintere Visiereinrichtung, um sicherzustellen, dass Sie gerade schneiden.

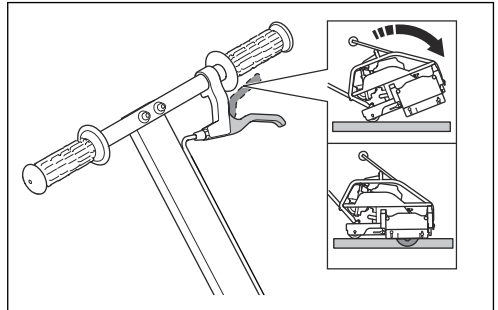
8. Wenn der Vorgang abgeschlossen ist, kippen Sie das Gerät nach hinten, um den Hebel zu aktivieren, der das Gerät in der Neigeposition hält.
9. Stellen Sie den Motor ab. Siehe *So schalten Sie den Motor aus auf Seite 49*.
10. Das Gerät reinigen. Siehe *So reinigen Sie das Gerät außen auf Seite 50*.

## Um das Gerät in Betrieb zu nehmen, Soff-Cut 150D



**ACHTUNG:** Stellen Sie sicher, dass keine Gegenstände auf den Trennscheibenblock treffen. Diese können das Gerät beschädigen.

1. Starten Sie den Motor. Siehe *So lassen Sie den Motor an auf Seite 46*.
2. Öffnen Sie die Motordrossel vollständig, um die maximale Geschwindigkeit zu erreichen.
3. Richten Sie das hintere Führungsrad auf den bereits vorhandenen Sägeschnitt aus.
4. Drücken Sie den Griff nach unten, und ziehen Sie den Trennscheibenhebel, um die Trennscheibe langsam in den Beton abzusenken.



5. Senken Sie den Fugenschneider und die Trennscheibe vollständig in den Beton ab, wenn die Führungsräder korrekt auf den Sägeschnitt ausgerichtet sind.
6. Schieben Sie das Gerät vorwärts, etwa 1 ft lang in der Schnittlinie bleibt, und stellen Sie sicher, dass die Führungsräder korrekt im Sägeschnitt ausgerichtet sind.
7. Erhöhen Sie die Vorwärtsgeschwindigkeit, bis Trennscheibe und Motor mit maximaler Effizienz arbeiten. Schieben Sie das Gerät nicht mit unnötig großer Kraft nach vorne.
8. Stellen Sie den Motor ab. Siehe *So schalten Sie den Motor aus auf Seite 49*.
9. Das Gerät reinigen. Siehe *So reinigen Sie das Gerät außen auf Seite 50*.



## So schalten Sie den Motor aus

1. Drücken Sie die Bediengriffe nach unten, um die Trennscheibe in die verriegelte Position zu heben.
2. Bewegen Sie den Gashebel des Motors in die geschlossene Position.
3. Stellen Sie den ON/OFF-Schalter des Motors auf die Position OFF (O). Damit wird auch das Kraftstoffventil geschlossen.
4. Reinigen Sie das Gerät, siehe *So reinigen Sie das Gerät außen auf Seite 50*.

## Wartung

### Einleitung



**WARNUNG:** Vor der Durchführung von Wartungsarbeiten müssen Sie die Sicherheitsinformationen lesen und verstehen.

### Wartungsplan

Die Wartungsintervalle werden anhand der täglichen Nutzung des Geräts berechnet. Die Intervalle ändern sich, wenn das Gerät nicht täglich verwendet wird.

Für Wartungsarbeiten, die mit \* gekennzeichnet sind, siehe Anweisungen in *Sicherheitsvorrichtungen am Gerät auf Seite 40*.

Wartung	Täglich	Wöchentlich, alle 40 Betriebsstunden	Monatlich, alle 200 Betriebsstunden	Nach den ersten 20 Betriebsstunden, dann alle 100 Betriebsstunden
Allgemeine Inspektion durchführen.	X			
Ölstand kontrollieren.	X			
Das Gerät reinigen.	X			
Gleitplatte (Soff-Cut 150) überprüfen.	X			
Lexan™-Abdeckung überprüfen*.	X			
Trennscheibenblockschutz überprüfen*.	X			
Trennscheibe überprüfen.	X			
Kraftstoffstand kontrollieren.	X			
Die Zündkerze reinigen.		X		
Luftfilter überprüfen und bei Bedarf austauschen.		X		
Treibriemen überprüfen.		X		
Motoröl wechseln.				X
Trennscheibenlager schmieren.		X		
Den Luftfilter ersetzen.			X	
Sedimentkappe überprüfen und reinigen.			X	
Zündkerze und Elektrodenabstand kontrollieren.			X	

## So reinigen Sie das Gerät außen



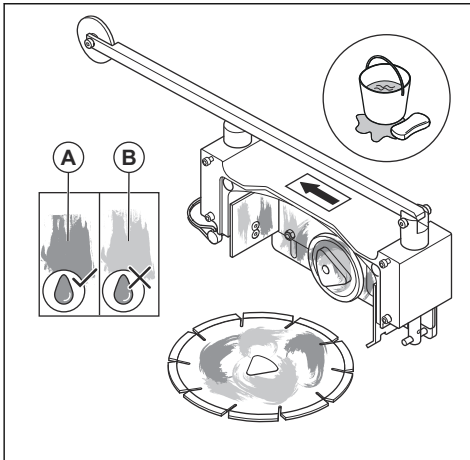
**ACHTUNG:** Reinigen Sie das Gerät immer sofort nach der Verwendung, bevor der Beton trocken wird. Verbleibender Beton kann das Gerät beschädigen.

1. Entfernen Sie die Klinge. Siehe *So entfernen Sie die Trennscheibe auf Seite 50*.
2. Reinigen Sie das Gerät mit Wasser.



**ACHTUNG:** Richten Sie das Wasser nicht direkt auf den Motor, insbesondere nicht, wenn Sie einen Hochdruckreiniger verwenden.

3. Stellen Sie sicher, dass die Griffe und Hebel sauber und trocken sind, bevor Sie das Gerät in Betrieb nehmen.
4. Reinigen Sie den Trennscheibenblock und die Trennscheibe nach jedem Gebrauch von Betonpartikeln. Verwenden Sie eine robuste Bürste und Wasser. Der verbleibende Beton trocknet aus (A) und setzt sich fest (B), wenn er nicht entfernt wird.



5. Halten Sie alle Öffnungen und Schlitz am Gerät sauber, sodass die Luft frei durch den Motorbereich strömen kann.

## So überprüfen Sie die Zündkerze



**ACHTUNG:** Verwenden Sie immer den vom Hersteller empfohlenen Zündkerzentyp. Die Verwendung eines falschen Zündkerzentyps kann zu Schäden am Gerät führen.

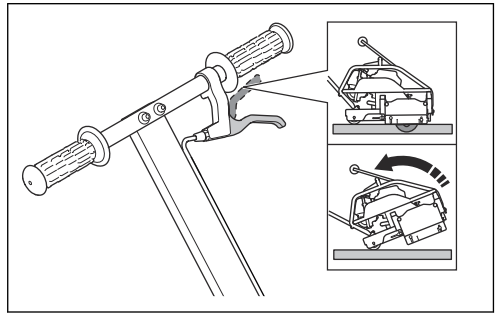
- Weitere Informationen finden Sie in der Bedienungsanleitung des Motors.

## So führen Sie eine allgemeine Inspektion durch

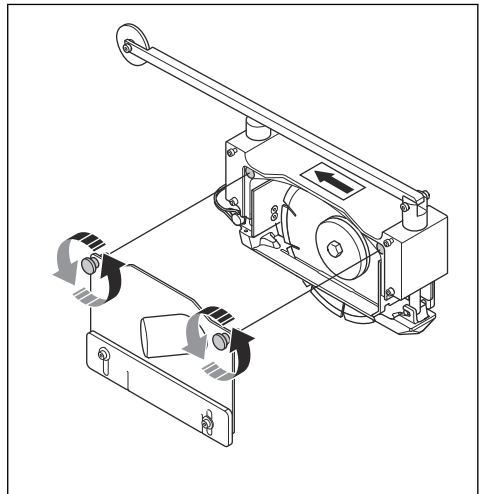
- Stellen Sie sicher, dass die Muttern und Schrauben am Produkt nicht beschädigt sind.
- Stellen Sie sicher, dass keine Kraftstoff- oder Ölleckagen vorhanden sind.
- Soff-Cut 150D: Stellen Sie sicher, dass sich die Räder für die vordere und hintere Führung frei drehen können.

## So entfernen Sie die Trennscheibe

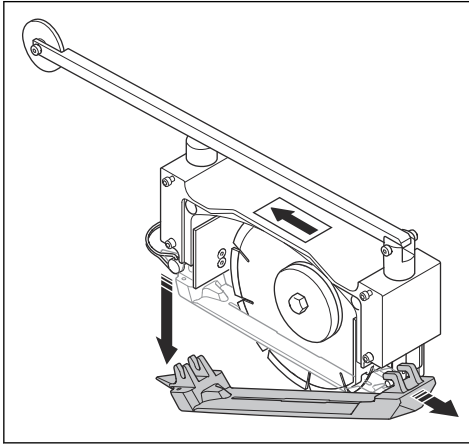
1. Ziehen und halten Sie den Entriegelungshebel, wenn Sie das Gerät kippen. Drücken Sie den Lenker nach unten, um das Gerät in die Neigeigeposition zu bringen.



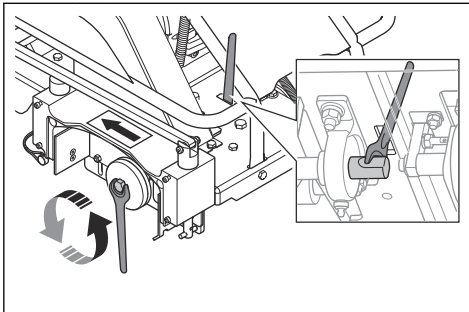
2. Lösen Sie den Hebel, um das Gerät in der Neigeigeposition zu verriegeln.
3. Drehen Sie die 2 Verriegelungsknöpfe gegen den Uhrzeigersinn und entfernen Sie die Abdeckung des Trennscheibenblocks.



4. Drücken Sie die hintere Visiereinrichtung nach unten, um die Gleitplatte zu lösen.

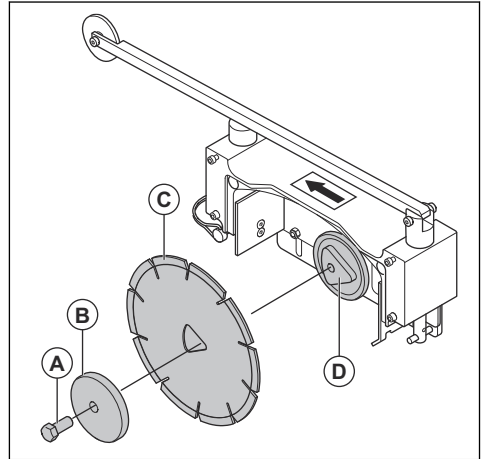


5. Setzen Sie einen Trennscheiben-Schraubenschlüssel in den Schlitz an der Vorderseite des Motors ein. Setzen Sie einen Trennscheiben-Schraubenschlüssel auf die Trennscheibenschraube im Trennscheibenblock.



**Hinweis:** Im Lieferumfang des Geräts sind 2 Trennscheiben-Schraubenschlüssel enthalten.

6. Drehen Sie die Trennscheiben-Schraube (A) gegen den Uhrzeigersinn, bis der Schlüssel im Schlitz in die flachen Oberflächen der Klingenwelle greift.



7. Entfernen Sie die Schraube der Klingenwelle (A). Entfernen Sie den äußeren Trennscheibenflansch (B). Entfernen Sie die Trennscheibe (C) von der Trennscheibenwelle (D).

## So installieren Sie eine Trennscheibe



**WARNUNG:** Verwenden Sie keine Trennscheibe, deren Nenndrehzahl unter der des Geräts liegt. Die Nenndrehzahl der Trennscheibe ist auf der Trennscheibe, die des Geräts auf dem Typenschild angegeben. Verwenden Sie ausschließlich Husqvarna-Soff-Cut-Trennscheiben, die mit nationalen und regionalen Normen, z. B. EN13236 oder ANSI B7.1, übereinstimmen.

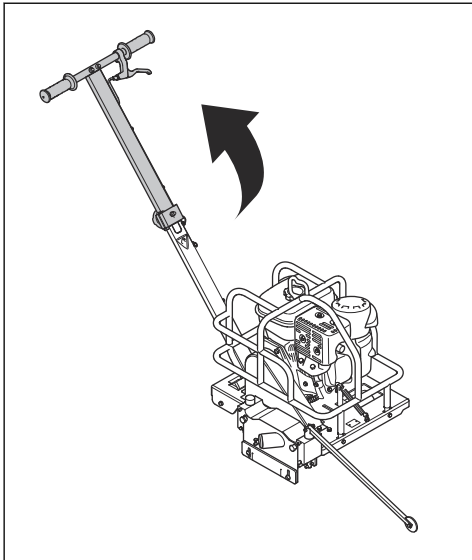


**ACHTUNG:** Untersuchen Sie die Trennscheibe auf Beschädigung, Risse, Segmentverluste, Dellen, Überhitzen, übermäßigen Verschleiß oder eine beschädigte Öffnung in der Dreifachspindel. Entsorgen Sie eine defekte Trennscheibe.

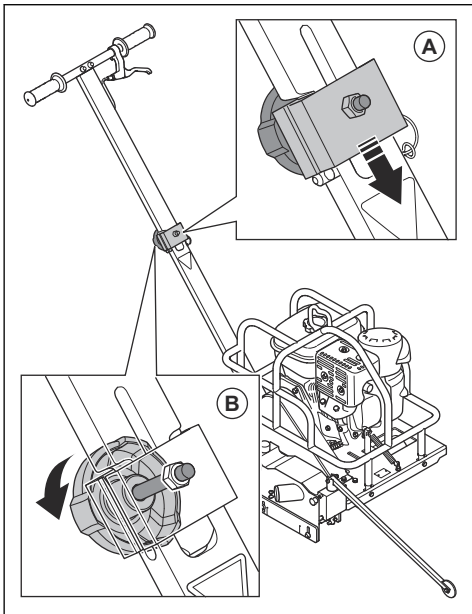
Überprüfen Sie die Trennscheibenflansche auf Beschädigungen und übermäßigen Verschleiß und stellen Sie sicher, dass die Trennscheibenflansche sauber sind.

Trennscheiben sind nicht im Lieferumfang des Geräts enthalten. Verwenden Sie nur original Husqvarna-Trennscheiben. Weitere Informationen zum richtigen Typ für Ihr Modell finden Sie unter *Technische Daten auf Seite 61*. Für Soff-Cut 150 ist eine Gleitplatte im Trennscheibensatz enthalten.

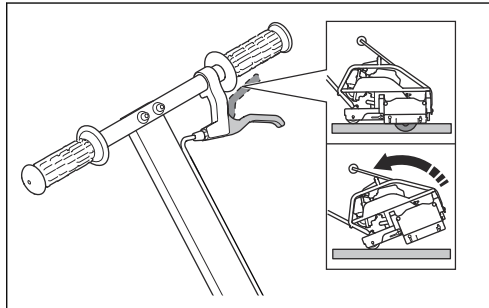
1. Klappen Sie den Griff ganz nach oben.



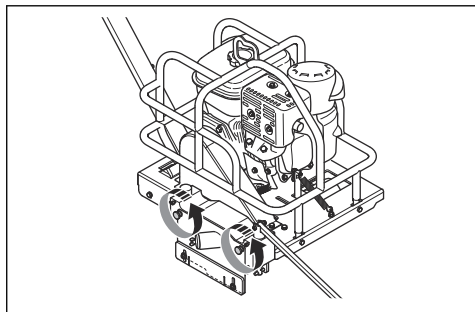
2. Drücken Sie auf die Verriegelungsklammer (A).  
3. Ziehen Sie das Rad der Verriegelungsklammer (B) fest.



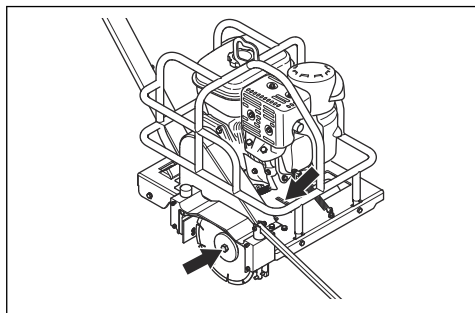
4. Ziehen und halten Sie den Entriegelungshebel, wenn Sie das Gerät kippen. Drücken Sie den Lenker nach unten, um das Gerät in die Neigeposition zu bringen.



5. Lösen Sie den Hebel, um das Gerät in der Neigeposition zu verriegeln.  
6. Drehen Sie die 2 Verriegelungsknöpfe gegen den Uhrzeigersinn und entfernen Sie die Abdeckung des Trennscheibenblocks.

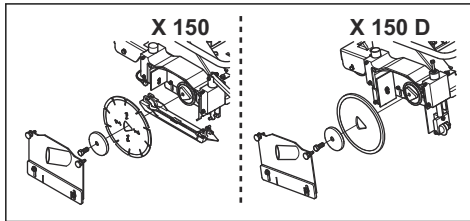


7. Stecken Sie einen der mitgelieferten Schraubenschlüssel in den Schlitz an der Vorderseite des Motors. Setzen Sie den anderen mitgelieferten Schraubenschlüssel auf die Trennscheibenschraube.



8. Drehen Sie die Trennscheibenwelle mit dem Schraubenschlüssel gegen den Uhrzeigersinn, bis der Schraubenschlüssel im Schlitz in den flachen Bereich der Trennscheibenwelle eingreift.

9. Drehen Sie den Bolzen der Trennscheibenwelle weiter gegen den Uhrzeigersinn, um diesen zu entfernen.
10. Entfernen Sie den äußeren Trennscheibenflansch.
11. Entfernen Sie sämtlichen Beton von der Welle, vom Trennscheibenblock und von der Trennscheibenblockabdeckung.
12. Montieren Sie die Trennscheibe auf die Trennscheibenwelle. Achten Sie darauf, dass die Trennscheibe fest auf der Welle sitzt.

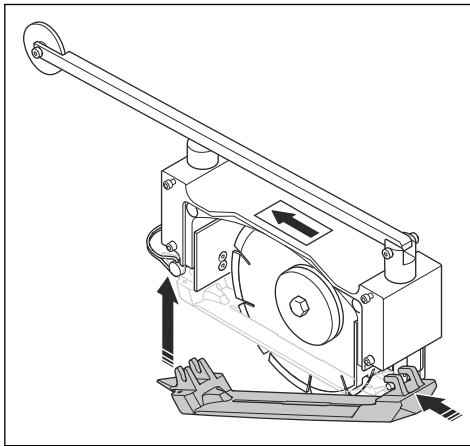


13. Montieren Sie den äußeren Trennscheibenflansch. Ziehen Sie die Schraube fest.
14. Modell Soff-Cut 150: Bringen Sie eine neue Gleitplatte an.

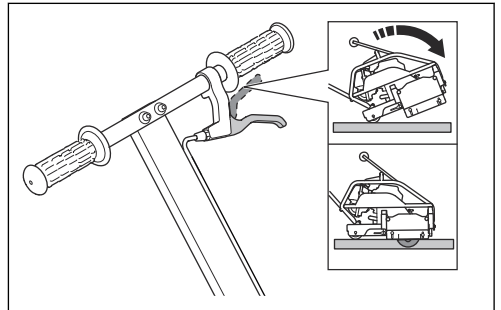


**ACHTUNG:** Montieren Sie keine gebrauchte Gleitplatte.

- a) Setzen Sie das vordere Ende der Gleitplatte auf den vorderen Stift des Trennscheibenblocks.
- b) Drücken Sie das hintere Ende der Gleitplatte nach oben gegen die hintere Trennscheibenblockwelle, bis Sie ein Klicken hören.



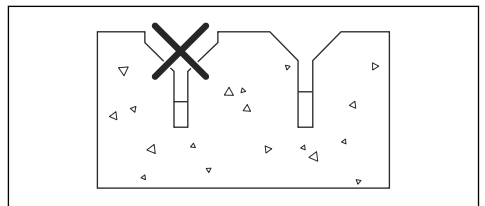
15. Montieren Sie den Schutz des Trennscheibenblocks. Richten Sie die 2 Knöpfe des Trennscheibenblockschutzes an den Löchern im Trennscheibenblock aus. Drehen Sie die 2 Knöpfe des Trennscheibenblockschutzes und ziehen Sie sie fest, bis er vollständig am Trennscheibenblock befestigt ist.
16. Modell Soff-Cut 150: Heben Sie die Vorder- und Rückseite der Gleitplatte an, um sicherzustellen, dass die Trennscheibe frei in der Gleitplatte beweglich ist.
17. Stellen Sie sicher, dass die Lexan™-Abdeckung frei nach oben und unten bewegt werden kann.
18. Drücken Sie den Griff nach unten, und ziehen Sie den Trennscheibenhebel, um die Trennscheibe langsam in den Beton abzusenken.



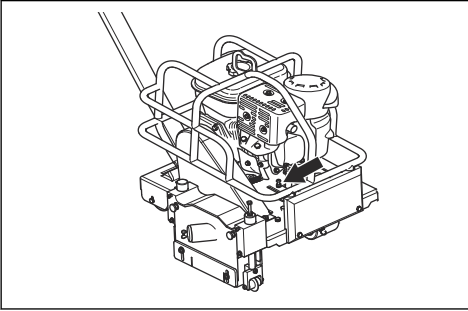
## So passen Sie die Schnitttiefe (Soff-Cut 150D) an



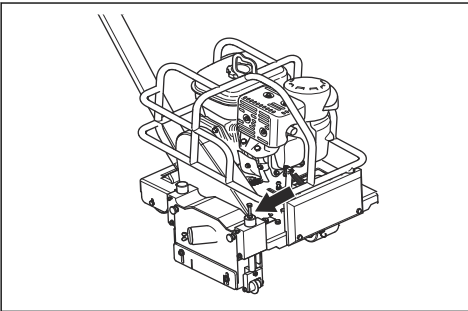
**ACHTUNG:** Der Radius und die Schnitttiefe der V-Trennscheibe sind werksseitig auf maximale Tiefe voreingestellt. Nehmen Sie nur notwendige Anpassungen vor. Nur für kleine, dünne Schnitte einstellen. Vergrößern Sie die Tiefe nicht. Dies kann zu einem Schrägschnitt führen.



1. Lösen Sie die Kontermutter für die Anschlagseinstellung gegen den Uhrzeigersinn.



2. Drehen Sie den Bolzen für die Tiefeneinstellung im Uhrzeigersinn. Mit jeder vollen Umdrehung der Stellschraube für die Tiefe verringert sich die Schnittbreite um  $\frac{1}{4}$  Zoll.
3. Lösen Sie die Kontermutter der Stellschraube für die Zustelltiefe gegen den Uhrzeigersinn. Drücken Sie den hinteren Teil des Sicherheitsrahmens nach unten, um sicherzustellen, dass die Räder flach auf dem Boden liegen.



4. Drehen Sie die Stellschraube für die Zustelltiefe von Hand im Uhrzeigersinn, bis sie Kontakt mit der Führungsradwelle hat.
5. Lösen Sie die Stellschraube für die Zustelltiefe um eine  $\frac{1}{4}$  Drehung gegen den Uhrzeigersinn. Ziehen Sie die Kontermutter für die Stellschraube fest, um sie zu sichern.
6. Schneiden Sie eine Schnittfuge von etwa 1 ft Länge, um sicherzustellen, dass Sie den richtigen dekorativen Schnitt erhalten haben.

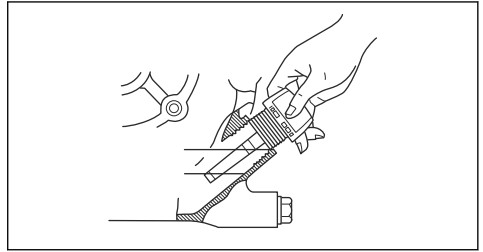
## So kontrollieren Sie die Gleitplatte Soff-Cut 150

- Untersuchen Sie die Gleitplatte auf Beschädigung.
- Untersuchen Sie den Schlitz der Gleitplatte auf zu starken Verschleiß.
- Untersuchen Sie die Betonoberfläche. Stellen Sie sicher, dass keine Grate vorhanden sind und dass die Seitensegmente nicht verbogen sind.

- Bauen Sie bei jeder neuen Trennscheibe eine neue Gleitplatte ein. Verwenden Sie keine gebrauchte Gleitplatte mit einer neuen Trennscheibe.
- Heben Sie die Gleitplatte von vorne und von hinten an, um sicherzustellen, dass sich die Trennscheibe frei durch die Gleitplatte bewegt.

## So prüfen Sie den Ölstand

1. Motor stoppen.
2. Stellen Sie das Produkt auf einer ebenen Fläche ab.
3. Entfernen Sie den Öltankverschluss mit dem beigefügten Messstab.
4. Reinigen Sie den Messstab von Öl.
5. Stecken Sie den Messstab wieder hinein. Drehen Sie ihn nicht fest.
6. Ziehen Sie den Messstab heraus und lesen Sie den Ölstand ab.
7. Prüfen Sie den Ölstand am Messstab.



8. Wenn der Ölstand zu niedrig ist, füllen Sie Motoröl ein, und kontrollieren Sie den Ölstand erneut. Für Informationen zur richtigen Ölart siehe *Technische Daten auf Seite 61*.
9. Drehen Sie den Öltankverschluss ordnungsgemäß fest, bevor Sie den Motor anlassen.

**Hinweis:** Der Motor verfügt über ein Ölalarmsystem, das den Motor bei zu geringem Ölstand stoppt. Der Motor kann erst wieder nach Auffüllen des Öls gestartet werden.

## So tauschen Sie das Motoröl aus

Details zu den Intervallen finden Sie in *Wartungsplan auf Seite 49*.



**WARNUNG:** Motoröl ist direkt nach dem Anhalten des Motors sehr heiß. Lassen Sie den Motor abkühlen, bevor Sie das Motoröl ablassen. Wenn Sie Motoröl auf Ihre Haut verschütten, reinigen Sie sie mit Wasser und Seife.

1. Stellen Sie einen Behälter unter den Ablasshahn für das Motoröl.
2. Ablassschraube entfernen.
3. Lassen Sie das Öl in den Behälter laufen.

4. Bringen Sie die Ablassschraube an, und ziehen Sie sie fest.
5. Füllen Sie neues Öl gemäß der Empfehlung ein. Siehe *Technische Daten auf Seite 61*.
6. Siehe *So prüfen Sie den Ölstand auf Seite 54* für Anweisungen zum Auffüllen von Öl.

## Luftfilter



**WARNUNG:** Tragen Sie einen zugelassenen Atemschutz, wenn Sie den Luftfilter reinigen oder ersetzen. Entsorgen Sie gebrauchte Luftfilter ordnungsgemäß. Der Staub in den Luftfiltern gefährdet Ihre Gesundheit.



**WARNUNG:** Reinigen Sie den Luftfilter nicht mit Druckluft. Dadurch wird der Luftfilter beschädigt und das Risiko, dass Sie gefährlichen Staub einatmen, steigt.



**ACHTUNG:** Tauschen Sie beschädigte Luftfilter immer aus, da ansonsten Staub in den Motor eindringen und ihn beschädigen kann.

Beim Luftfilterelement handelt es sich um einen Zyklonluftfilter am Motor an der Vorderseite des Fugenschneiders. Ersetzen Sie das Luftfilterelement gemäß Wartungsplan. Ersetzen Sie es bei Bedarf häufiger.

Weitere Informationen finden Sie in der Bedienungsanleitung des Motors.

## So prüfen Sie den Antriebsriemen

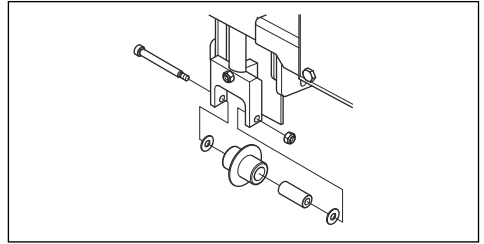
- Stellen Sie sicher, dass der Antriebsriemen keine Beschädigungen oder sichtbaren Defekte aufweist.
- Der Riemenspanner ist verantwortlich für die Riemenspannung. Die Riemenspannung muss nicht eingestellt werden.
- Stellen Sie sicher, dass sich der Riemenspanner frei nach oben und unten bewegen kann.
- Stellen Sie sicher, dass sich die Lager des Riemenspanners frei bewegen können.

## So wechseln Sie die Führungsräder (Soff-Cut 150D)

Verwenden Sie  $\frac{1}{4}$ " breite Räder, wenn Sie  $\frac{1}{4}$ "-Sägeschnitte mit der XL6- V25-D Trennscheibe vornehmen möchten. Vordere und hintere Führungsräder sind im Lieferumfang der Säge enthalten.

**Hinweis:** Beide vorderen und hinteren Führungsräder müssen gewechselt werden; es dürfen dabei keine Räder unterschiedlicher Breite verwendet werden.

1. Entfernen Sie die Sicherungsmutter und schieben Sie die Passschraube heraus.

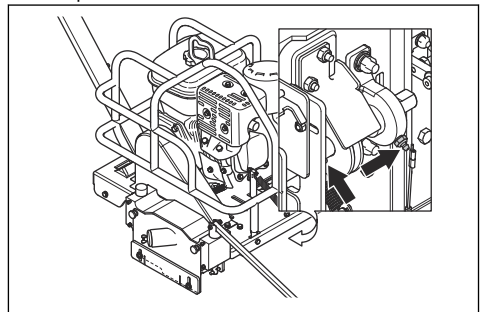


2. Notieren Sie sich die Unterlegscheiben und andere entfernte Teile sowie die Reihenfolge des Einbaus.
3. Schieben Sie die Bronzebuchse von innen am alten vorderen Führungsrad heraus und setzen Sie sie in das neue Führungsrad.
4. Schieben Sie die Bronzebuchse von innen am alten hinteren Führungsrad heraus und setzen Sie sie in das neue Führungsrad.
5. Installieren Sie die neuen Führungsräder mit dem gleichen Passschrauben, Sicherungsmuttern und Kunststoff-Unterlegscheiben.

Die 1/2 Zoll breiten Führungsräder, die nicht im Lieferumfang der Säge enthalten sind, sind auch für die Verwendung mit der ProEdge Trennscheibe XL6-V500-D erhältlich, wenn  $\frac{1}{2}$ " breite Sägeschnitte vorgenommen werden.

## So schmieren Sie die Trennscheibenlager

- Schmieren Sie die Trennscheibenwellenlager mit 3 Pumpenstößen Schmierfett.



Den korrekten Schmierfetttyp finden Sie unter *Technische Daten auf Seite 61*.

## Wartung des Motors

Weitere Informationen zur Wartung des Motors finden Sie in der Bedienungsanleitung des Motors. Die Bedienungsanleitung für den Motor enthält auch Informationen zu Spezifikationen, Tuning-Teilen, Motorgewährleistung, Einhaltung der Emissionsgrenzwerte usw.

# Fehlerbehebung

## Fehlerbehebung

bereiten Sie die Arbeiten gut vor und benutzen Sie gesunden Menschenverstand.



**WARNUNG:** Das Beheben von Problemen führt zu einem Verletzungsrisiko, da in den Gefahrenbereichen des Geräts gearbeitet werden muss. Lassen Sie Vorsicht walten,

Wenn Sie in dieser Bedienungsanleitung keine Lösung für Ihre Probleme finden können, wenden Sie sich an Ihre Husqvarna-Servicewerkstatt.

Problem	Lösung
Das Gerät verursacht Abblätterungen/Abplatzungen oder Absplitterungen im Schnitt (Soff-Cut 150).	Stellen Sie sicher, dass die Trennscheibe nicht verschlissen, glatt, verformt oder beschädigt ist.
	Stellen Sie sicher, dass die Gleitplatte die Trennscheibe nicht berührt und sich frei über die gesamte Wellenlänge nach oben und unten bewegen lässt.
	Stellen Sie sicher, dass die Gleitplatte nicht verschlissen ist und dass die Trennscheibe kein Spiel hat.
	Untersuchen Sie die Unterseite der Gleitplatte, und stellen Sie sicher, dass keine Metallgrate oder Defekte vorhanden sind.
	Stellen Sie sicher, dass die Gleitplatte nicht verdreht oder verbogen ist.
	Stellen Sie sicher, dass die Lexan™-Abdeckung frei nach oben und unten bewegt werden kann.
	Prüfen Sie den Federdruck. Schieben Sie die vordere und hintere Trennscheibenblockwelle nach oben. Es muss ein niedriger bis mittlerer Druck vorhanden sein.
	Kippen oder bewegen Sie das Gerät beim Schneiden nicht zur Seite. Ändern Sie den Druck auf den Bediengriff nach und nach, um den Fugenschneider zu steuern.
	Stellen Sie sicher, dass der Motor korrekt und mit der vorgeschriebenen Drehzahl arbeitet.
	Stellen Sie sicher, dass die Spannung des Riemens und der Riemenspannrolle korrekt ist.
	Stellen Sie sicher, dass die Trennscheibe korrekt montiert und mit sauberen Flanschen befestigt ist.
	Stellen Sie sicher, dass die Trennscheibe die richtigen Spezifikationen für Ihren Bereich oder Ihre Betonart aufweist.
	Stellen Sie sicher, dass die Betonoberfläche sauber ist und dass sich die Gleitplatte gleichmäßig auf der Betonoberfläche bewegen kann.
	Verwenden Sie an allen Schnittpunkten Husqvarna-Schutzabdeckungen.
	Reinigen Sie die Trennscheibenblockbaugruppe.
Stellen Sie sicher, dass sich die Abstreifer im Trennscheibenblock frei bewegen können und nicht verbogen sind.	
Stellen Sie sicher, dass die Wellen im Trennscheibenblock nicht verbogen oder beschädigt sind.	



Problem	Lösung
Das Gerät verursacht Schräg- oder Radiussschnitte (Soff-Cut 150D).	Stellen Sie sicher, dass die Trennscheibe nicht verschlissen, glatt, verformt oder beschädigt ist.
	Stellen Sie sicher, dass sich die vorderen und hinteren Führungsräder gleichmäßig bewegen und sich frei nach oben und unten bewegen können.
	Lassen Sie die Trennscheibe mit eigener Geschwindigkeit sägen. Schieben Sie das Gerät nicht mit großer Kraft vorwärts.
	Stellen Sie sicher, dass die Führungsräder in dem bereits vorhandenen Sägeschnitt ausgerichtet sind, bevor Sie mit der Arbeit beginnen.
	Stellen Sie sicher, dass die vorhandenen Sägeschnitte sauber und frei von unerwünschten Verschmutzungen sind.
	Stellen Sie sicher, dass die Lexan™-Abdeckung frei nach oben und unten bewegt werden kann.
	Prüfen Sie den Federdruck. Schieben Sie die vordere und hintere Trennscheibenblockwelle nach oben. Es muss ein niedriger bis mittlerer Druck vorhanden sein.
	Kippen oder bewegen Sie das Gerät beim Schneiden nicht zur Seite. Ändern Sie den Druck auf den Bediengriff nach und nach, um den Fugenschneider zu steuern.
	Stellen Sie sicher, dass der Motor korrekt und mit der vorgeschriebenen Drehzahl arbeitet.
	Prüfen Sie den Riemen und die Riemenscheiben auf korrekte Spannung.
	Stellen Sie sicher, dass die Trennscheibe korrekt montiert und mit sauberen Flanschen befestigt ist.
	Stellen Sie sicher, dass die Betonoberfläche sauber ist und dass sich die Gleitplatte gleichmäßig auf der Betonoberfläche bewegen kann.
	Reinigen Sie die Verschmutzungen durch überschüssigen Beton an der Trennscheibenblockbaugruppe.
	Stellen Sie sicher, dass sich die Abstreifer im Trennscheibenblock frei bewegen können und nicht verbogen sind.
	Stellen Sie sicher, dass sich die Trennscheibenblockwellen frei bewegen können und nicht verbogen sind.
Führen Sie einen neuen Schnitt aus der entgegengesetzten Richtung in den bereits vorhandenen Sägeschnitt durch.	
Das Gerät zieht während des Betriebs zur Seite (Soff-Cut 150).	Prüfen Sie, ob die vordere Visiereinrichtung korrekt auf die Mitte der Trennscheibe ausgerichtet ist.
	Untersuchen Sie die Gleitplatte auf Schäden und Grate.
Das Gerät zieht beim Schneiden nach einer Seite (Soff-Cut 150D).	Prüfen Sie, ob die vordere und die hintere Visiereinrichtung korrekt auf die Mitte der Trennscheibe ausgerichtet sind.
	Prüfen Sie, ob die Trennscheibe verschlissen, glatt, verformt oder beschädigt ist.
	Kippen oder bewegen Sie das Gerät beim Schneiden nicht zur Seite. Ändern Sie den Druck auf den Bediengriff nach und nach, um den Fugenschneider zu steuern.
	Stellen Sie sicher, dass sich alle Räder frei und gleichmäßig bewegen.
Lassen Sie die Trennscheibe mit eigener Geschwindigkeit sägen. Schieben Sie das Gerät nicht mit großer Kraft vorwärts.	

Problem	Lösung
Der Motor springt nicht an.	Prüfen Sie, ob der Tank Kraftstoff enthält und ob es auch der richtige Kraftstoff ist. Stellen Sie sicher, dass der Kraftstoff kein Wasser enthält.
	Stellen Sie sicher, dass sich das Kraftstoffventil in Stellung „ON“ befindet.
	Stellen Sie sicher, dass sich der ON/OFF-Schalter in Stellung „ON“ befindet.
	Stellen Sie sicher, dass das Zündkabel mit der Zündkerze verbunden ist.
	Der Motor hat zu viel Kraftstoff bekommen. Stellen Sie den Choke ein, siehe Betriebsanleitung des Motors.
	Stellen Sie sicher, dass sich der Choke bei einem Kaltstart in Stellung „ON“ befindet. Stellen Sie den Choke ein, siehe Betriebsanleitung des Motors.
	Ölstand prüfen. Der Motor verfügt über ein Ölalarmsystem, das den Motor bei zu geringem Ölstand stoppt.
	Vergewissern Sie sich, dass der Luftfilter nicht schmutzig oder verstopft ist.
	Prüfen Sie, ob die Trennscheibenwelle frei beweglich ist und ob sich Beton im Trennscheibenblock abgelagert hat.
Der Motor läuft nicht rund oder läuft nicht mit voller Drehzahl.	Prüfen Sie, ob der Tank Kraftstoff enthält und ob es auch der richtige Kraftstoff ist. Stellen Sie sicher, dass der Kraftstoff kein Wasser enthält.
	Ölstand prüfen. Der Motor verfügt über ein Ölalarmsystem, das den Motor bei zu geringem Ölstand stoppt.
	Vergewissern Sie sich, dass der Luftfilter nicht schmutzig oder verstopft ist.
	Vergewissern Sie sich, dass die Zündkerze sauber ist und den richtigen Elektrodenabstand hat, siehe Betriebsanleitung des Motors.
	Vergewissern Sie sich, dass der Gashebel richtig eingestellt ist.
	Stellen Sie sicher, dass sich der Choke bei einem Kaltstart in Stellung „ON“ befindet. Stellen Sie den Choke ein, siehe Betriebsanleitung des Motors.

## Transport, Lagerung und Entsorgung

### Transport



**WARNUNG:** Seien Sie beim Transport vorsichtig. Das Gerät ist schwer und kann Verletzungen oder Schäden verursachen, wenn es beim Transport umfällt oder sich bewegt.

Bei kürzeren Strecken können Sie das Gerät mit den Rädern manuell bewegen. Bei längeren Strecken heben Sie das Gerät an, um es zu bewegen, oder platzieren Sie es auf einem Fahrzeug.



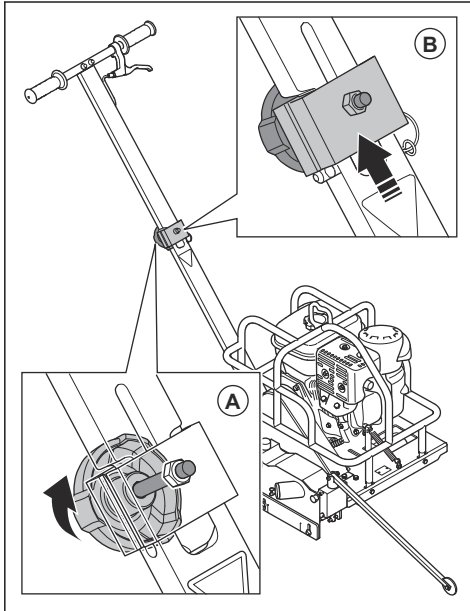
**ACHTUNG:** Ziehen Sie das Gerät nicht mit einem Fahrzeug.

- Befestigen Sie das Gerät während des Transports auf einem Fahrzeug sicher. Befestigen Sie Zurrgurte am Sicherheitsrahmen und am Fahrzeug.
- Bringen Sie ON/OFF-Schalter des Motor in die Stellung „OFF“. Damit wird auch das Kraftstoffventil geschlossen.
- Entfernen Sie die Trennscheibe vor dem Transport des Geräts.
- Bringen Sie das Gerät in die abgesenkte Position.
- Für die Lagerung und den Transport des Geräts und des Kraftstoffs ist darauf zu achten, dass keine Lecks oder Dämpfe vorhanden sind. Funken oder offene Flammen, zum Beispiel von elektrischen Geräten oder einem Boiler, können ein Feuer auslösen.
- Verwenden Sie für den Transport von Kraftstoff nur zugelassene Behälter.

- Klappen Sie das Gerät zusammen, siehe *So klappen Sie das Gerät zusammen* auf Seite 59.

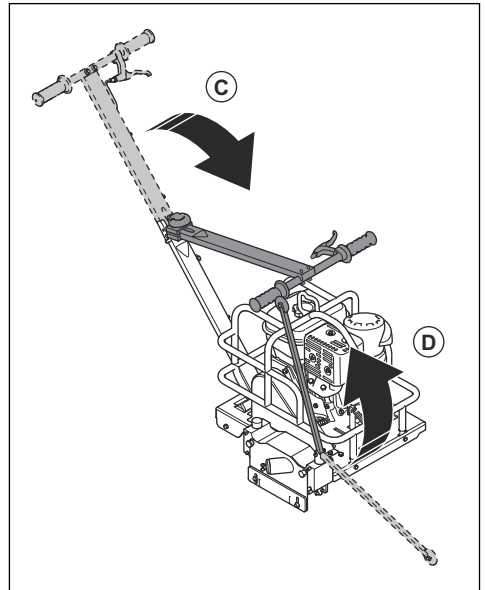
## So klappen Sie das Gerät zusammen

1. Lösen Sie das Rad der Verriegelungsklammer (A).
2. Heben Sie die Verriegelungsklammer (B) an.



3. Klappen Sie den Griff nach vorn (C).

4. Klappen Sie die vordere Visiereinrichtung nach oben (D).



## So heben Sie das Gerät an



**WARNUNG:** Stellen Sie sicher, dass das Hebezeug korrekt bemessen ist. Auf dem Typenschild des Geräts ist das Gerätegewicht angegeben.



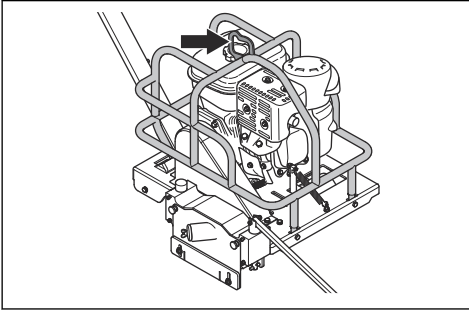
**WARNUNG:** Heben Sie das Gerät nicht an, wenn es beschädigt ist. Stellen Sie sicher, dass die Hebeöse richtig montiert und unbeschädigt ist.



**WARNUNG:** Verwenden Sie keine Metallhaken, Ketten oder sonstiges Hebezeug mit scharfen Kanten, das die Hebeöse beschädigen kann.

- Wird das Gerät von 2 Personen angehoben, verwenden Sie die Schiene des Sicherheitsrahmens auf jeder Seite, und heben Sie das Gerät mit 2 Händen an.

- Wenn Sie Hebezeug verwenden, befestigen Sie es an der Hebeöse am Sicherheitsrahmen.



- Entsorgen Sie alle Chemikalien, z. B. Motoröl oder Kraftstoff, in einer Servicewerkstatt oder in einer geeigneten Abfallentsorgungsstelle.
- Wenn Sie das Produkt nicht mehr benutzen, senden Sie es an einen Husqvarna Händler oder entsorgen Sie es in einer Wiederverwertungsanlage.

## Lagerung

- Das Gerät hat keine Handbremse. Entfernen Sie sich nicht vom Gerät, wenn es auf einem Hang steht. Wenn das Gerät an einem Hang geparkt wird, stellen Sie sicher, dass es hinreichend befestigt ist und sich nicht bewegen kann.
- Entfernen Sie die Trennscheibe vor dem Lagerung des Geräts.
- Bewahren Sie das Gerät in einem verschlossenen Bereich auf, um einen unerlaubten Zugriff durch Kinder oder andere Personen zu verhindern.
- Verwahren Sie die Trennscheiben in einem sicheren Bereich, um Beschädigungen zu vermeiden.
- Bewahren Sie die Trennscheiben in einer trockenen und frostfreien Umgebung auf.
- Prüfen Sie neue Trennscheiben auf Lagerschäden.
- Für die Lagerung des Geräts und des Kraftstoffs ist darauf zu achten, dass keine Lecks oder Dämpfe vorhanden sind. Funken oder offene Flammen, zum Beispiel von elektrischen Geräten oder einem Boiler, können ein Feuer auslösen.
- Verwenden Sie für die Lagerung von Kraftstoff nur zugelassene Behälter.
- Klappen Sie das Gerät zusammen, siehe *So heben Sie das Gerät an auf Seite 59*.

Führen Sie bei längerer Lagerdauer außerdem folgende Schritte aus:

- Reinigen Sie das Gerät und führen Sie eine komplette Wartung aus.
- Leeren Sie den Kraftstofftank.
- Bewahren Sie das Gerät in einem trockenen und frostfreien Raum auf.
- Decken Sie das Gerät ab. Dies ist besonders wichtig für Lagerorte im Freien.
- Wechseln Sie nach einer Langzeitaufbewahrung das Motoröl.

## Entsorgung

- Befolgen Sie die örtlichen Recyclinganforderungen und geltenden Vorschriften.

# Technische Daten

## Technische Daten

	Soff-Cut 150	Soff-Cut 150D
<b>Motor<sup>8</sup></b>		
Motormarke/Typ	Kohler/CH255	Kohler/CH255
Motorleistung, kW bei U/min/PS bei U/min <sup>9</sup>	4,0 bei 3600/5,5 bei 3600	4,0 bei 3600/5,5 bei 3600
<b>Kraftstoff- und Schmiersystem</b>		
Volumen des Kraftstofftanks, Liter/ Gallonen	3,0/0,8	3,0/0,8
Ölsystem	Ölalarmsystem mit automatischem Abschaltensensor	Ölalarmsystem mit automatischem Abschaltensensor
Füllmenge Öltank, l/qt	0,6/0,63	0,6/0,63
Motoröl	Für optimale Leistung empfehlen wir die Verwendung von Kohler Öle. Andere qualitativ hochwertige Reinigungsöle, einschließlich synthetische Öle der API- (American Petroleum Institute) Service-Klasse SJ oder besser sind akzeptabel. Wählen Sie die Viskosität auf der Grundlage der Lufttemperatur zum Zeitpunkt des Betriebs, wie in der Abbildung unten gezeigt.	
	<p>The chart shows three oil grades: 5W-30 (left arrow, approx. -30°C to 40°C), 10W-30 (middle arrow, approx. 0°C to 100°C), and SAE 30 (right arrow, approx. 40°C to 100°C). The x-axis has two scales: °F (-20 to 100) and °C (-30 to 40).</p>	
Schmierfett	Fett auf Basis von Lithium 12	Fett auf Basis von Lithium 12
<b>Gewicht</b>		
Mit leeren Tanks, kg/lbs	37/82	43/95
Mit Kraftstoff, kg/lbs	40/88	46/101
<b>Geräuschemissionen<sup>10</sup></b>		
Schalleistungspegel, gemessen dB (A)	100	100
Schalleistungspegel, garantiert L <sub>WA</sub> dB (A)	102	102

<sup>8</sup> Weitere Informationen und Fragen zu diesem Motor finden Sie in der Motor-Betriebsanleitung oder auf der Website des Motor-Herstellers.

<sup>9</sup> Wie vom Motorhersteller angegeben. Bruttoleistung gemäß SAE J1940/J1995, bei angegebener Drehzahl.

<sup>10</sup> Umweltbelastende Geräuschemissionen, gemessen als Schalleistung (L<sub>WA</sub>) gemäß EG-Richtlinie 2000/14/EG.

	<b>Soff-Cut 150</b>	<b>Soff-Cut 150D</b>
<b>Schallpegel</b> <sup>11</sup>		
Schalldruckpegel am Ohr des Bedieners, dB (A)	86	86
<b>Schwingungsniveau, a<sub>hveq</sub></b> <sup>12</sup>		
Rechter Griff, m/s <sup>2</sup>	5,9	5,9
Linker Griff, m/s <sup>2</sup>	4,0	4,0
<b>Sägeblatt</b>		
Art der Trennscheibe	Diamanttrennscheiben, Trockenschnitt mit Dreifachspindel	ProEdge Radius und abgeschrägte Klingen
Material	Nur Frischbeton	Schlitzte nur auf ausgehärtetem Beton
Max. Trennscheibengröße, mm/in	165/6,5	152/6
Max. Schnitttiefe, mm/in	38,1/1,5	27/0,5
Schnittabstand von der Wand, mm/Zoll	76/3	114/4,5
Trennscheibenrotation	Gegen den Uhrzeigersinn, von unten schneidend	Gegen den Uhrzeigersinn, von unten schneidend
Drehzahl der Trennscheibenwelle, U/min	4500	4500
Steuerung der Schnitttiefe	Betriebsanleitung	Betriebsanleitung
<b>Mittlere Schnittrate</b> <sup>13</sup>		
Weiche Oberflächen, m/min oder ft/min	3,7 oder 12	
Mittelharte Oberflächen, m/min oder ft/min	2,4 oder 8	
Harte Oberflächen, m/min oder ft/min	1,2 oder 4	
<b>Empfohlene Staubabsauger</b> <sup>14</sup>		
Min. Luftstrom, cfm oder m <sup>3</sup> /h	236 oder 400	
Min. Unterdruck, psi/kPa	3,6/22	
Min. Wasserhub, m/Zoll	2,3/90	
Staubabsauger-Ausrüstung, mm/Zoll	60/2	

<sup>11</sup> Schalldruckpegel gemäß ISO EN 13862. Berichten zufolge liegt der Schalldruckpegel normalerweise bei einer Ausbreitungsklasse (standardmäßige Ausbreitung) von 2,5 dB (A).

<sup>12</sup> Vibrationspegel gemäß EN 13862. Berichten zufolge liegt der Vibrationspegel normalerweise bei einer Ausbreitungsklasse (Standardabweichung) von 1 m/s<sup>2</sup>.

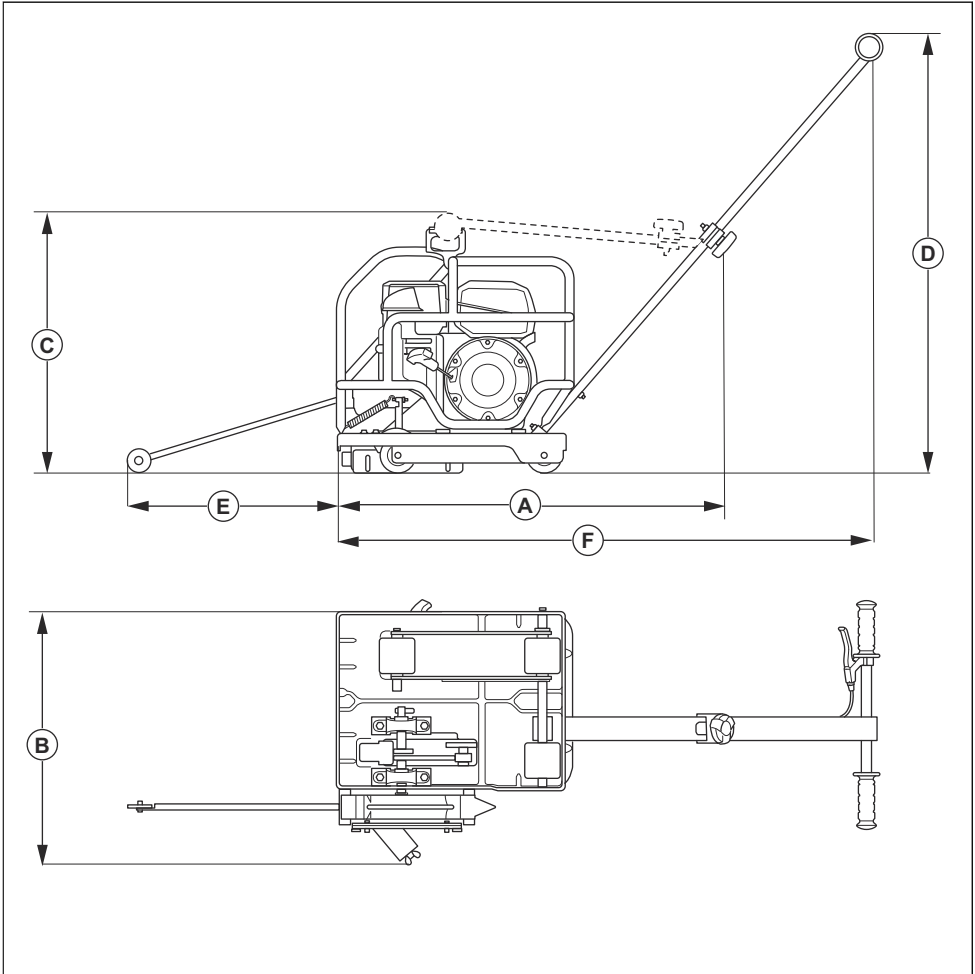
<sup>13</sup> Nur Schätzung Geschwindigkeit variiert je nach Arbeitsbedingungen und Betonmischung.

<sup>14</sup> Technische Daten für Staubabsauger beschreiben nicht abschließend die tatsächliche Leistung im Zeitverlauf zwischen verschiedenen Staubabsaugern. Für Husqvarna-Geräte stehen unter [www.husqvarnacp.com/us/](http://www.husqvarnacp.com/us/) objektive OSHA-Daten zur Verfügung.

## Konformitätserklärung für Geräusche und Vibrationen

Diese erklärten Werte wurden in Laborversuchen in Übereinstimmung mit der aufgeführten Richtlinie oder Norm ermittelt und eignen sich für einen Vergleich mit Wertdeklarationen anderer Produkte, die nach der gleichen Richtlinie bzw. Norm geprüft wurden. Diese Wertdeklarationen eignen sich nicht zur Verwendung in Risikobewertungen, zudem können die an einzelnen Arbeitsplätzen gemessenen Werte höher sein. Die tatsächlichen Belastungswerte und das Gefährdungsrisiko eines individuellen Benutzers sind immer spezifisch und davon abhängig, wie der Benutzer arbeitet, in welchem Material das Produkt eingesetzt wird, sowie von der Belastungszeit, dem Gesundheitszustand des Benutzers und dem Gerätezustand.

## Gerätemaße



Abmessungen, mm/Zoll		Soff-Cut 150	Soff-Cut 150D
A	Länge mit eingeklapptem Griff	860/33,9	860/33,9
B	Breite	560/22	560/22
C	Höhe	566/22,3	571/22,5
D	Höhe mit Griff	932/37	945/37,2
E	Abstand vom Rad der vorderen Visiereinrichtung zum Gerät	445/17,5	N/A



Abmessungen, mm/Zoll		Soff-Cut 150	Soff-Cut 150D
<b>F</b>	Abstand von der Vorderseite des Geräts zum Griff	1178/46,4	1192/46,9

---

# Konformitätserklärung

---

## EU-Konformitätserklärung

Husqvarna AB, SE-561 82 Huskvarna, Schweden, Tel.:  
+46-36-146500, erklärt, dass das Gerät:

<b>Beschreibung</b>	<b>Fugenschneider</b>
<b>Marke</b>	Husqvarna
<b>Typ/Modell</b>	Soff-Cut 150, Soff-Cut 150D
<b>Identifizierung</b>	Seriennummern ab 2021

Erfüllt die folgenden EU-Vorschriften und -Richtlinien:

<b>Richtlinie/Vorschrift</b>	<b>Beschreibung</b>
2006/42/EG	„Maschinenrichtlinie“
2014/30/EU	„EMV-Richtlinie“
2000/14/EG	„Richtlinie über umweltbelastende Geräuschemissionen“

und dass die folgenden Normen und/oder technischen  
Daten angewendet werden;

EN ISO 12100:2010

EN 13862:2001+A1:2009

EN 55012:2008+A1:2009

EN ISO 14982:2009

2000/14/EG, Verfahren zur Konformitätsbewertung:  
Anhang V.

Informationen zu Geräuschemissionen finden Sie im  
Kapitel mit den technischen Daten.

Partille 2021-06-14



Martin Huber,  
R&D Director, Concrete Surfaces & Floors  
Husqvarna AB, Construction Division  
Verantwortlich für die technische Dokumentation



---

## Sommaire

---

Introduction.....	67	Dépannage.....	89
Sécurité.....	71	Transport, entreposage et mise au rebut.....	91
Montage.....	77	Caractéristiques techniques.....	94
Utilisation.....	78	Déclaration de conformité.....	99
Entretien.....	82		

---

## Introduction

---

### Description du produit

Le produit est une scie de sol à pousser à moteur essence pour la découpe du béton.

### Utilisation prévue

Ce produit est à usage professionnel uniquement.

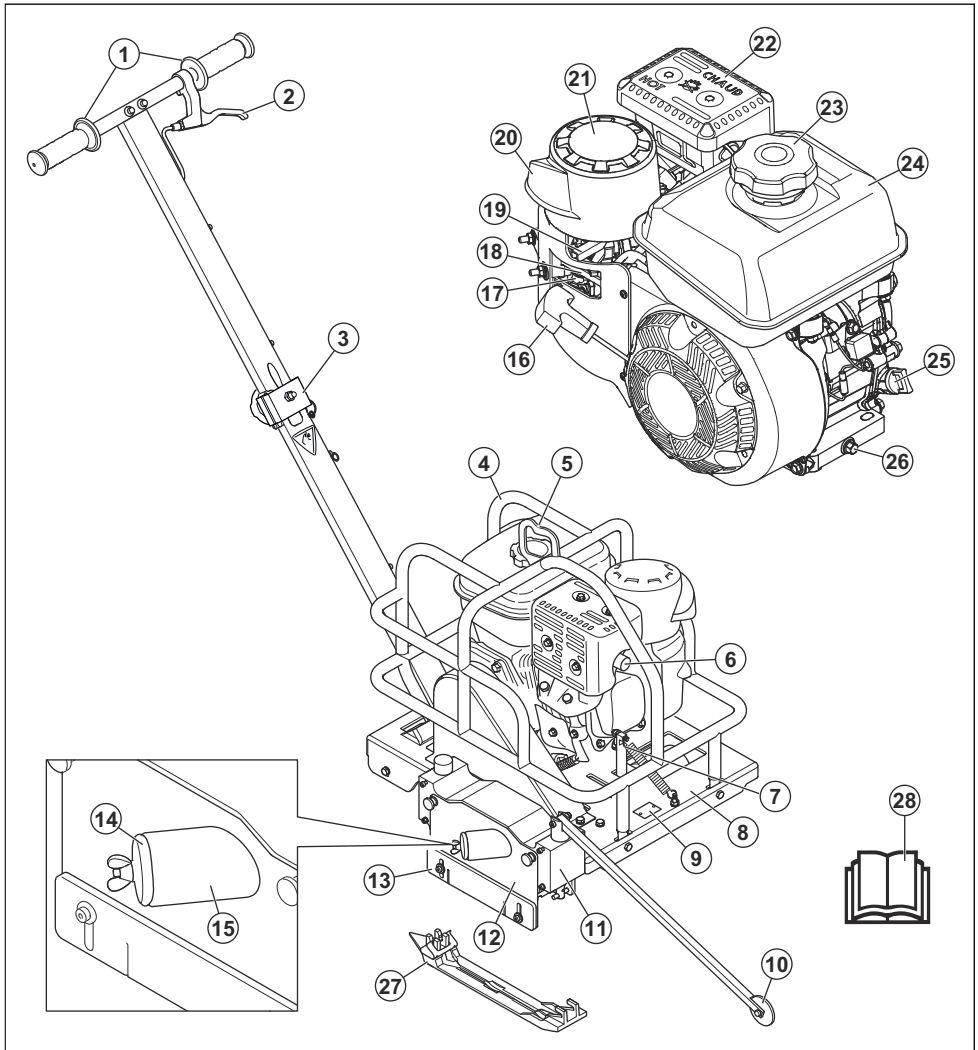
La Soff-Cut 150 est utilisée pour la découpe des joints de retrait lorsque le béton est encore frais.

La Soff-Cut 150D est utilisée après la coupe initiale, pour les découpes décoratives, les allées et les parkings.

Ce produit est à utiliser en extérieur uniquement.

N'utilisez pas ce produit pour d'autres travaux.

## Présentation du produit Soff-Cut 150

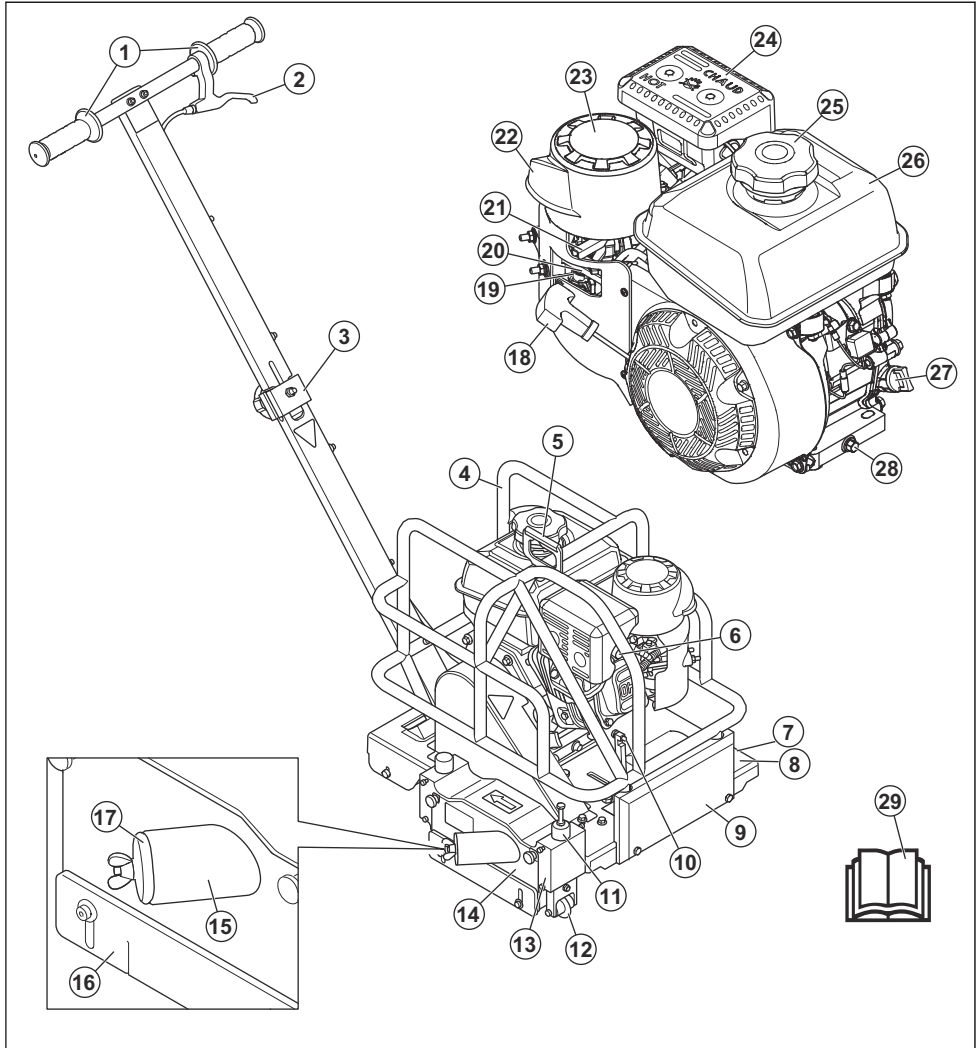


- |                                      |   |
|--------------------------------------|---|
| 1. Poignées de commande              | 11. Bloc de lame  |
| 2. Levier de débrayage de la lame    | 12. Protection du bloc de disque                                |
| 3. Pince de blocage de la poignée    | 13. Capot en Lexan™   |
| 4. Cadre de sécurité                 | 14. Bouchon du raccord de l'extracteur de poussière             |
| 5. Point de levage                   | 15. Raccord de l'extracteur de poussière                        |
| 6. Orifice d'échappement             | 16. Poignée du câble du démarreur                               |
| 7. Réglage de la butée de profondeur | 17. Robinet de carburant et interrupteur marche/arrêt du moteur |
| 8. Cadre de scie                     | 18. Starter   |
| 9. Plaque d'identification           | 19. Gâchette d'accélération                                     |
| 10. Pointeur avant                   |   |

- 20. Entrée du filtre à air
- 21. Couverture de filtre à air
- 22. Capot de silencieux
- 23. Bouchon du réservoir d'essence
- 24. Réservoir de carburant

- 25. Jauge/réservoir d'huile
- 26. Bouchon de vidange d'huile
- 27. Plaque de protection (non incluse)
- 28. Manuel de l'opérateur

## Présentation du produit Soff-Cut 150D



- 1. Poignées de commande
- 2. Levier de débrayage de la lame
- 3. Pince de blocage de la poignée
- 4. Cadre de sécurité
- 5. Point de levage

- 6. Orifice d'échappement
- 7. Plaque d'identification
- 8. Cadre de scie
- 9. Contrepoids
- 10. Vis de réglage de la plongée

11. Vis de réglage de la butée de profondeur
12. Roue du pointeur avant
13. Bloc de lame
14. Protection du bloc de disque
15. Raccord de l'extracteur de poussière
16. Capot en Lexan™
17. Bouchon du raccord de l'extracteur de poussière
18. Poignée du câble du démarreur
19. Robinet de carburant et interrupteur marche/arrêt du moteur
20. Starter
21. Gâchette d'accélération
22. Entrée du filtre à air
23. Couvercle de filtre à air
24. Capot de silencieux
25. Bouchon du réservoir d'essence
26. Réservoir de carburant
27. Jauge/réservoir d'huile
28. Bouchon de vidange d'huile
29. Manuel de l'opérateur



Gardez les parties du corps à l'écart de la lame de coupe et des autres pièces mobiles.



La flèche sur le protège-lame indique le sens de rotation de la lame de coupe.



Arrêtez toujours le moteur et laissez-le refroidir avant de faire l'appoint en carburant.



Essence sans plomb avec un maximum de 10 % d'éthanol.



Le carburant est explosif et peut provoquer des incendies ainsi que des brûlures graves.



Arrêtez toujours le moteur avant de remplir le réservoir de carburant. Laissez un espace vide de 16 mm (5/8 po) en haut du réservoir de carburant pour permettre au carburant de se dilater. Lisez le manuel de l'opérateur et le manuel du moteur Kohler.

## Symboles concernant le produit



**ATTENTION** : Soyez prudent et utilisez le produit correctement. Ce produit peut causer des blessures graves, voire mortelles, à l'opérateur ou à d'autres personnes.



Lisez le manuel d'utilisation et assurez-vous de bien comprendre les instructions avant d'utiliser ce produit.



Utilisez des protège-oreilles, des protections pour les yeux et une protection respiratoire. Reportez-vous à la section *Équipement de protection individuel* à la page 73.



Tout déplacement de la machine en dehors de la zone de coupe doit être effectué lorsque l'outil ne tourne pas.



Risque de blessures par coupure. Maintenez toutes les parties du corps à l'écart du disque de découpe.



La poussière peut entraîner des problèmes de santé. Portez une protection respiratoire homologuée. Ne respirez pas les fumées d'échappement. N'utilisez pas un produit doté d'un moteur à combustion à l'intérieur ou dans les zones insuffisamment ventilées.



Risque de pincement. Maintenez toutes les parties du corps à l'écart des pièces en mouvement.



Silencieux chaud, ne le touchez pas



Activé



Éteintes



Remplissez d'huile moteur jusqu'au niveau approprié.



Lisez et assurez-vous de bien comprendre le manuel de l'extracteur de poussière.



Pour soulever le produit, fixez l'équipement de levage au point de levage du produit.



Relâchez la poignée pour que le disque descende grâce à la gravité. Pour éviter d'endommager le disque, tenez fermement le produit et abaissez le disque avec précaution.



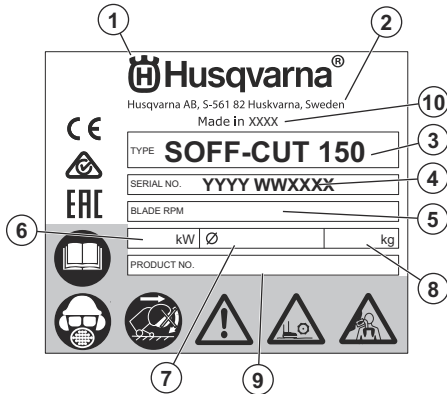
Ce produit est conforme aux directives UE en vigueur.



Émissions sonores dans l'environnement conformes aux directives CE en vigueur. Les émissions sonores de ce produit sont spécifiées dans la section *Caractéristiques techniques* à la page 94 et sur l'étiquette.

**Remarque:** Les autres symboles/autocollants présents sur le produit concernent des exigences de certification spécifiques à d'autres zones commerciales.

## Plaque d'identification



1. Fabricant
2. Adresse du fabricant
3. Réf.
4. Numéro de série : année et semaine de production, et numéro de séquence
5. Vitesse du disque
6. Puissance du moteur
7. Dimension maximale du disque
8. Poids du produit
9. Référence de produit
10. Pays de production

## Responsabilité

Conformément à la loi sur la responsabilité du fait des produits, nous déclinons toute responsabilité pour tout dommage causé par notre produit si :

- le produit n'est pas correctement réparé ;
- le produit est réparé avec des pièces que ne proviennent pas du fabricant ou qui ne sont pas homologuées par le fabricant ;
- le produit est équipé d'un accessoire qui ne provient pas du fabricant ou qui n'est pas homologué par le fabricant ;
- le produit n'est pas réparé par un centre d'entretien agréé ou par une autorité homologuée.

## Sécurité

### Définitions de sécurité

Des avertissements, des recommandations et des remarques sont utilisés pour souligner des parties spécialement importantes du manuel.



**AVERTISSEMENT:** Symbole utilisé en cas de risque de blessures ou de mort pour l'opérateur ou les personnes à proximité si les instructions du manuel ne sont pas respectées.



**REMARQUE:** Symbole utilisé en cas de risque de dommages pour le produit, d'autres matériaux ou les environs si les instructions du manuel ne sont pas respectées.

**Remarque:** Symbole utilisé pour donner des informations supplémentaires pour une situation donnée.

### Instructions générales de sécurité

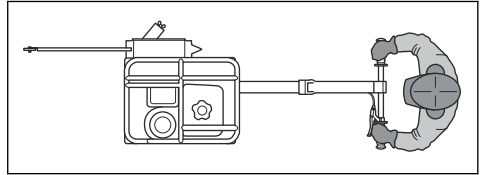


**AVERTISSEMENT:** Lisez les instructions qui suivent avant d'utiliser le produit.

- Ce produit est un outil dangereux si vous ne faites pas attention ou si vous l'utilisez de manière incorrecte. Ce produit peut causer des blessures graves, voire mortelles, à l'opérateur ou à d'autres personnes. Avant d'utiliser le produit, il convient de lire attentivement et de bien comprendre les instructions contenues dans ce manuel de l'opérateur.
- Conservez tous les avertissements de sécurité et toutes les instructions.
- Respectez l'ensemble des lois et réglementations applicables.
- L'opérateur et son employeur doivent connaître et éviter tout risque au cours de l'utilisation du produit.

- Ne laissez personne utiliser le produit avant d'avoir lu et compris le contenu du manuel de l'opérateur.
- N'utilisez pas le produit sauf si vous bénéficiez d'une formation préalable. Assurez-vous que tous les opérateurs suivent une formation.
- Ne laissez pas un enfant utiliser le produit.
- Seules les personnes autorisées peuvent utiliser le produit.
- L'utilisateur est tenu responsable des accidents auxquels il expose autrui ou ses biens.
- N'utilisez jamais l'appareil si vous êtes fatigué ou malade, ou si vous êtes sous l'emprise d'alcool, de drogues ou de médicaments.
- Soyez toujours prudent et utilisez votre bon sens.
- Ce produit génère un champ électromagnétique durant son fonctionnement. Ce champ peut dans certaines circonstances perturber le fonctionnement d'implants médicaux actifs ou passifs. Pour réduire le risque de blessures graves ou mortelles, nous recommandons aux personnes portant des implants médicaux de consulter leur médecin et le fabricant de leur implant avant d'utiliser cet appareil.
- Maintenez le produit propre. Assurez-vous que vous pouvez lire clairement les avertissements et les autocollants.
- N'utilisez pas le produit si celui-ci est défectueux.
- Ne modifiez pas ce produit.
- N'utilisez pas le produit s'il est susceptible d'avoir été modifié par d'autres personnes.

- Assurez-vous que les câbles électriques dans la zone de travail sont hors tension.
- Veillez à ce que la zone de travail reste propre et bien éclairée.
- Utilisez le produit uniquement lorsque vous vous trouvez à l'arrière, avec les mains sur la poignée



- Veillez à vous tenir dans une position stable et sûre pendant l'utilisation du produit.
- Avant de vous éloigner du produit, arrêtez le moteur et assurez-vous qu'il n'y a aucun risque de démarrage accidentel.
- Le produit n'est pas équipé d'un frein de stationnement. Ne vous éloignez pas du produit s'il est en fonctionnement. S'il est nécessaire de stationner le produit sur une pente, assurez-vous que le produit est correctement attaché et qu'il ne peut pas bouger.
- Soyez très prudent lorsque vous utilisez le produit sur un terrain en pente. Le produit est lourd et peut causer des blessures graves en cas de chute.
- Assurez-vous qu'aucun matériau ne risque de se desserrer et de blesser l'utilisateur.
- Assurez-vous que des vêtements, cheveux longs et bijoux ne peuvent pas se coincer dans les pièces mobiles.
- Ne vous asseyez pas ou ne vous tenez pas debout sur le produit.
- Restez à l'écart de la trajectoire de la lame lorsque le moteur est en marche.
- N'utilisez pas le produit si vous ne pouvez pas être secouru en cas d'accident.
- N'utilisez pas le produit pour le transport de personnes ou d'équipements.
- Ne posez pas les pieds sur le produit.
- Assurez-vous que le disque ne touche pas le sol ou une autre surface pendant le déplacement du produit.
- N'utilisez pas le produit avec une charge trop importante. La surcharge peut endommager le produit.

## Sécurité dans l'espace de travail



**AVERTISSEMENT:** Lisez les instructions qui suivent avant d'utiliser le produit.

- Le produit peut projeter des objets à grande vitesse. Assurez-vous que toutes les personnes se trouvant dans la zone de travail portent un équipement de protection individuel homologué. Reportez-vous à la

## Instructions de sécurité pour le fonctionnement



**AVERTISSEMENT:** Lisez les instructions qui suivent avant d'utiliser le produit.

- Lisez les instructions de sécurité fournies avec le disque de découpe par le fabricant.
- Assurez-vous que le produit est monté correctement.
- N'utilisez pas la machine sans avoir monté le protège-disque et les carters de protection.
- L'utilisation incorrecte du produit peut entraîner la rupture du disque de découpe et causer des blessures ou des dégâts.
- Assurez-vous que vous savez arrêter le moteur rapidement en cas d'urgence.
- Utilisez un équipement de protection personnelle. Reportez-vous à la section *Équipement de protection individuel* à la page 73.
- Tenez-vous éloigné de la lame de coupe tandis que le moteur tourne. N'essayez pas d'arrêter une lame en rotation avec une partie de votre corps. Le contact avec une lame rotative, même si le moteur est coupé, peut entraîner des blessures graves, voire mortelles.
- Assurez-vous que seules les personnes autorisées se trouvent dans la zone de travail.



section *Équipement de protection individuel* à la page 73. Veillez à ce qu'il ne reste pas d'objets meubles dans la zone de travail.

- Assurez-vous qu'aucun animal ni aucun spectateur ne se trouve dans la zone de travail.
- N'utilisez pas le produit sans avoir le champ libre et sans avoir vos pieds et votre corps en position stable.
- Identifiez les éventuels personnes, objets et situations susceptibles de nuire à la sécurité du fonctionnement du produit.
- Assurez-vous qu'aucune personne ou qu'aucun objet ne peut se trouver en contact avec l'équipement de coupe ou être touché par des pièces projetées par la lame.
- N'utilisez pas le produit en cas de brouillard, pluie, vents violents, risque de foudre ou autres conditions climatiques. L'utilisation du produit en cas de mauvaises conditions météorologiques peut altérer votre vigilance. Le mauvais temps peut rendre les conditions de travail dangereuses : des surfaces peuvent par exemple devenir glissantes.
- Lors de l'utilisation du produit, assurez-vous qu'aucun matériau ne risque de se détacher, de tomber et de blesser l'opérateur.
- Soyez très prudent lors de l'utilisation du produit sur une pente.
- Veillez à ce que la zone de travail reste propre et bien éclairée.
- Avant d'utiliser le produit, vérifiez s'il existe des dangers cachés tels que la présence de câbles électriques, de conduites d'eau et de gaz et de substances inflammables dans la zone de travail. Si le produit heurte un objet caché, arrêtez immédiatement le moteur et examinez le produit et l'objet. Ne redémarrez pas le produit avant d'être sûr qu'il fonctionne en toute sécurité.
- Avant de découper un tambour, un tuyau ou un autre conteneur, assurez-vous qu'il ne contient pas d'objets inflammables ou d'autres matériaux susceptibles de provoquer un incendie ou une explosion.
- N'utilisez pas ce produit dans des zones présentant un risque d'incendie ou d'explosion.

## Équipement de protection individuel



**AVERTISSEMENT:** Lisez les instructions qui suivent avant d'utiliser le produit.

- Portez toujours un équipement de protection individuel homologué lorsque vous utilisez le produit. L'équipement de protection individuel ne protège pas complètement des blessures, mais il diminue la gravité des blessures en cas d'accident. Faites appel à votre revendeur pour vous aider à sélectionner l'équipement de protection individuel adéquat.
- Vérifiez régulièrement l'état de votre équipement de protection individuel.

- Utilisez un casque de protection homologué.
- Utilisez des protège-oreilles agréés.
- Portez une protection respiratoire homologuée.
- Utilisez des protections pour les yeux homologuées avec protections latérales. Il existe un risque élevé de blessures aux yeux dues à des projections d'objets.
- Utilisez des gants de protection.
- Utilisez des bottes avec embouts en acier et semelle antidérapante.
- Utilisez des vêtements de travail homologués ou des vêtements près du corps équivalents dotés de manches longues et d'un pantalon.

## Extincteur

- Gardez un extincteur à proximité lors de l'utilisation du produit.
- Utilisez un extincteur à poudre de classe « ABE » ou un extincteur à gaz carbonique de type « BE ».

## Dispositifs de sécurité sur le produit

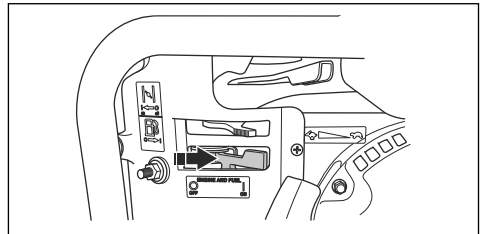


**AVERTISSEMENT:** Lire les instructions qui suivent avant d'utiliser le produit.

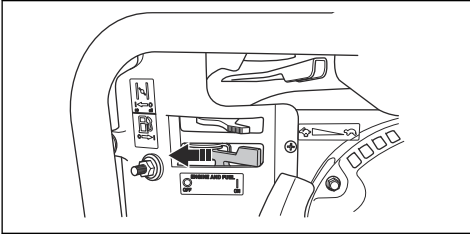
- Ne pas utiliser un produit défectueux avec les dispositifs de sécurité. Faire un contrôle des dispositifs de sécurité régulièrement. Si les dispositifs de sécurité sont défectueuses, parlez en à votre Husqvarna agent d'entretien.
- Ne pas effectuer des modifications sur les dispositifs de sécurité. N'utilisez pas ce produit si des plaques de protection, des capots de protection, des interrupteurs de sécurité ou d'autres dispositifs de protection sont pas fixé ou sont défectueuses.

## Pour contrôler l'interrupteur marche/arrêt

- Assurez-vous que le moteur démarre et que la lame commence à tourner lorsque vous mettez l'interrupteur en position ON.

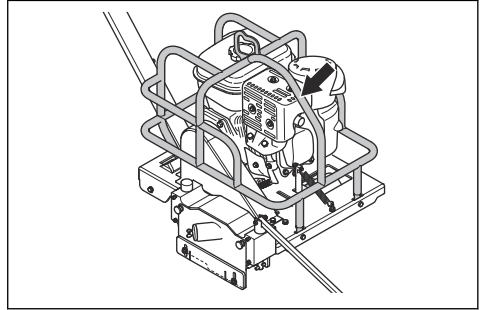


- Assurez-vous que le moteur s'arrête immédiatement lorsque vous mettez l'interrupteur en position OFF.



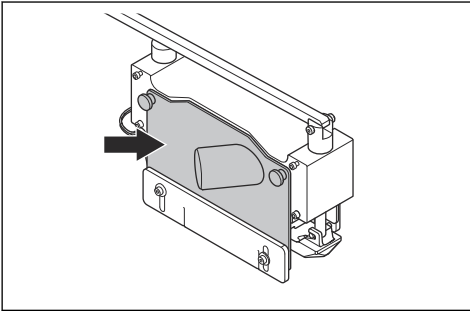
### Cadre de sécurité

Le cadre de sécurité protège l'équipement et le moteur contre les dommages et l'opérateur contre les blessures.



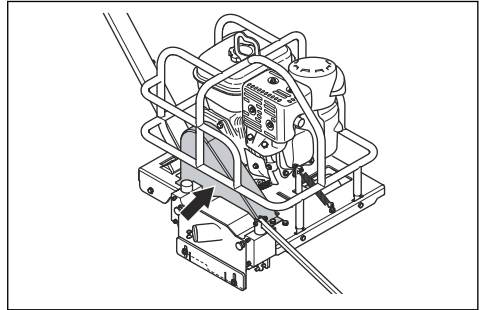
### Protection de bloc de lame

La protection du bloc de lame assure la protection de la lame rotative et rejette la poussière loin de l'opérateur.



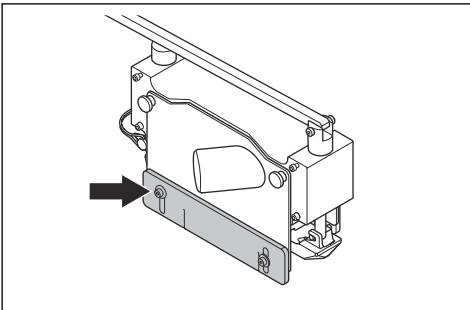
### Protection de courroie

La protection de courroie couvre la poulie de l'arbre de disque et la courroie.



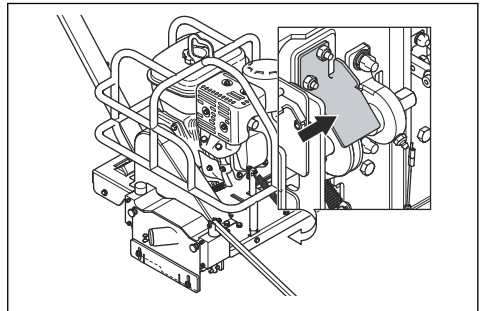
### Capot en Lexan™

Le capot en Lexan™ protège l'opérateur de la poussière. Il empêche également la projection de débris. Assurez-vous que le capot en Lexan™ bouge librement vers le haut et vers le bas.



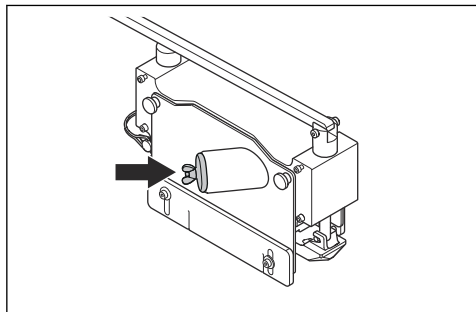
### Protection de poulie

La protection de courroie couvre la poulie de l'arbre de disque.



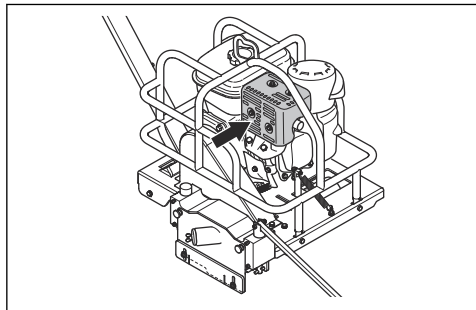
## Bouchon du raccord de l'extracteur de poussière

N'utilisez le bouchon que si le produit n'est pas connecté à un extracteur de poussière.



## Protection de silencieux

La protection de silencieux empêche les brûlures dues à la chaleur du silencieux



## Examen des carters de protection

1. Examinez le bloc du disque et sa protection, le capot en Lexan™, la protection de la poulie, le cadre de sécurité, la protection de la courroie et le bouchon pour vérifier qu'ils ne sont pas endommagés.
2. Remplacez les carters de protection s'ils sont endommagés.
3. Assurez-vous que les carters de protection sont bien fixés avant de démarrer le produit.

## Sécurité carburant



**AVERTISSEMENT:** Lisez les instructions qui suivent avant d'utiliser le produit.

- Le carburant est inflammable et ses vapeurs sont explosives. Faites attention lors de la manipulation du carburant pour éviter tout risque de blessures, d'incendie et d'explosion.
- Ne respirez pas les vapeurs de carburant. Les vapeurs de carburant sont toxiques et peuvent

causer des blessures. Assurez-vous que la ventilation est suffisante.

- Ne retirez pas le bouchon du réservoir de carburant et ne remplissez pas le réservoir quand le moteur tourne.
- Laissez le moteur se refroidir avant de faire le plein.
- Ne faites pas le plein de carburant dans un espace intérieur. Un débit d'air insuffisant peut causer des blessures graves, voire mortelles dues à une asphyxie ou au monoxyde de carbone.
- Ne fumez pas à proximité du carburant ou du moteur.
- Ne mettez pas d'objets chauds à proximité du carburant ou du moteur.
- Ne faites pas le plein de carburant à proximité d'étincelles ou de flammes.
- Avant de faire le plein, ouvrez le bouchon du réservoir de carburant lentement et relâchez la pression avec précaution.
- La présence de carburant sur la peau peut causer des blessures. Si votre peau entre en contact avec le carburant, lavez les parties qui ont été en contact avec de l'eau et du savon.
- Si vous avez renversé du carburant sur vos vêtements, changez de vêtements immédiatement.
- Ne remplissez pas entièrement le réservoir de carburant. La chaleur entraîne la dilatation du carburant. Laissez un espace en haut du réservoir de carburant.
- Serrez complètement le bouchon du réservoir de carburant. Si le bouchon du réservoir de carburant n'est pas serré, il y a un risque d'incendie.
- Avant de démarrer le produit, éloignez-le d'au moins 3 m/10 pi de l'endroit où vous effectuez l'appoint de carburant.
- Ne démarrez pas le produit si du carburant ou de l'huile moteur a été renversé(e) sur le produit. Retirez le carburant et l'huile moteur indésirables et laissez sécher le produit avant de démarrer le moteur.
- Vérifiez régulièrement s'il y a des fuites de moteur. S'il y a des fuites dans le système de carburant, ne démarrez pas le moteur jusqu'à ce que les fuites soient réparées.
- N'examinez pas la présence de fuites sur le moteur avec vos doigts.
- Conservez le carburant uniquement dans des récipients homologués.
- Lorsque le produit et le carburant sont stockés, assurez-vous que le carburant et les vapeurs de carburant ne peuvent pas provoquer des dégâts.
- Videz le carburant dans un récipient homologué à l'extérieur et loin de toute étincelle et flamme.

## Sécurité relative aux gaz d'échappement



**AVERTISSEMENT:** Lisez les instructions qui suivent avant d'utiliser le produit.

- Les gaz d'échappement du moteur contiennent du monoxyde de carbone, un gaz inodore, toxique et très dangereux. Respirer du monoxyde de carbone peut être mortel. Le monoxyde de carbone est inodore et invisible ; il est impossible de le sentir. Le monoxyde de carbone provoque des symptômes d'intoxication, notamment des vertiges, mais il est possible qu'une personne devienne rapidement inconsciente si la quantité ou la concentration de monoxyde de carbone est suffisante.
- Les gaz d'échappement contiennent également des hydrocarbures non brûlés, dont du benzène. À long terme, l'inhalation des gaz d'échappement peut entraîner des problèmes de santé.
- Les gaz d'échappement pouvant être vus ou sentis contiennent également du monoxyde de carbone.
- N'utilisez pas un produit doté d'un moteur à combustion à l'intérieur ou dans les zones insuffisamment ventilées.
- Ne respirez pas les gaz d'échappement.
- Assurez-vous que la zone de travail est suffisamment ventilée. Ceci est particulièrement important lorsque vous utilisez le produit dans des tranchées ou d'autres petites zones de travail, où les gaz d'échappement peuvent facilement s'accumuler.

## Précautions relatives aux vibrations



**AVERTISSEMENT:** Lisez les instructions qui suivent avant d'utiliser le produit.

- Au cours de l'utilisation du produit, des vibrations sont ressenties entre le produit et l'opérateur. Un fonctionnement régulier et fréquent du produit peut blesser ou augmenter le risque de blessures graves chez l'opérateur. Des blessures peuvent se produire au niveau des doigts, des mains, des poignets, des bras, des épaules, et/ou des nerfs et des organes d'irrigation sanguine, ou d'autres parties du corps. Les blessures peuvent être invalidantes et/ou permanentes et peuvent augmenter progressivement pendant des semaines, des mois ou des années. Des dommages peuvent également être provoqués au niveau du système de circulation sanguine, du système nerveux, des articulations et d'autres parties du corps.
- Des symptômes peuvent se produire pendant le fonctionnement du produit ou à un autre moment. Si vous avez des symptômes et que vous continuez d'utiliser le produit, ceux-ci peuvent augmenter ou devenir permanents. Si l'un de ces symptômes ou d'autres symptômes se produisent, consultez un médecin :

- engourdissement, perte de sensibilité, fourmillements, picotements, douleur, brûlure, palpitations, raideur, maladresse, faiblesse musculaire, changement de pigmentation de la peau ou de l'état physique.
- Les symptômes peuvent augmenter par temps froid. Utilisez des vêtements chauds et gardez les mains au chaud et au sec lorsque vous faites fonctionner le produit dans un environnement froid.
- Procédez à l'entretien et utilisez le produit comme indiqué dans le manuel d'utilisation afin de maintenir un bon niveau de vibrations.
- Le produit est doté d'un système anti-vibrations qui réduit les vibrations entre les poignées et l'opérateur. Laissez le produit faire le travail. N'appuyez pas fortement sur le produit. Tenez légèrement le produit au niveau des poignées, mais assurez-vous que vous pouvez le contrôler et l'utiliser en toute sécurité. Ne poussez pas les poignées dans les butées plus que nécessaire.
- Gardez uniquement les mains sur la ou les poignées. Éloignez toutes les autres parties du corps du produit.
- Arrêtez le produit immédiatement si de fortes vibrations se produisent soudainement. Ne poursuivez pas l'opération avant que la cause de l'augmentation des vibrations ait été supprimée.

## Sécurité antipoussière



**AVERTISSEMENT:** Lisez les instructions qui suivent avant d'utiliser le produit.

- Le fonctionnement du produit peut entraîner de la poussière dans l'air. La poussière peut provoquer des blessures graves et des problèmes de santé permanents. Plusieurs autorités classent la poussière de silice parmi les poussières dangereuses. Quelques exemples de problèmes de santé pouvant être causés :
  - Maladies pulmonaires mortelles telles que la bronchite chronique, la silicose et la fibrose pulmonaire
  - Cancer
  - Anomalies congénitales
  - Inflammation de la peau.
- Utilisez un équipement adapté permettant de réduire la quantité de poussière et de fumées dans l'air et de diminuer la poussière présente sur les équipements de travail, les surfaces, les vêtements et les parties du corps. Par exemple, des systèmes de collecte de la poussière et des pulvérisateurs d'eau permettant de capter la poussière. Réduisez la quantité de poussière au niveau de la source, dans la mesure du possible. Assurez-vous que l'équipement est correctement installé et utilisé, et qu'un entretien régulier est effectué.
- Portez une protection respiratoire homologuée. Assurez-vous que la protection respiratoire est

adaptée aux matériaux dangereux dans la zone de travail.

- Assurez-vous que la zone de travail est suffisamment ventilée.
- Si possible, placez l'échappement du produit à un endroit où la poussière ne peut pas pénétrer dans l'air.

### Sécurité relative au bruit

---



**AVERTISSEMENT:** Lisez les instructions qui suivent avant d'utiliser le produit.

---

- Des niveaux sonores élevés et une exposition prolongée au bruit peuvent provoquer une perte auditive.
- Afin de maintenir le niveau sonore au minimum, effectuez l'entretien et utilisez le produit comme indiqué dans le manuel d'utilisation.
- Vérifiez si le silencieux présente des dommages et des défauts. Assurez-vous que le silencieux est correctement fixé à l'appareil.
- Utilisez des protège-oreilles homologués pendant l'utilisation du produit.
- Soyez attentif aux signaux d'alerte et aux appels lorsque vous portez des protège-oreilles. Retirez les protège-oreilles lorsque le produit est arrêté, sauf si les protège-oreilles sont nécessaires en raison du niveau sonore dans la zone de travail.

### Consignes de sécurité pour l'entretien

---



**AVERTISSEMENT:** Lisez les instructions qui suivent avant d'utiliser le produit.

---

- Utilisez un équipement de protection personnelle. Reportez-vous à la section *Équipement de protection individuel* à la page 73.

---

## Montage

---

### Introduction

---



**AVERTISSEMENT:** Avant de monter le produit, vous devez lire et comprendre le chapitre sur la sécurité.

---



**AVERTISSEMENT:** Débranchez le câble d'allumage de la bougie avant de monter le produit.

---

- Si l'entretien n'est pas effectué correctement et régulièrement, le risque de blessures et d'endommagement du produit augmente.
- Démarrez le moteur et laissez le produit refroidir avant de procéder à des tâches d'entretien.
- Nettoyez le produit afin de retirer tout matériau dangereux avant de faire l'entretien.
- Débranchez le chapeau de bougie d'allumage avant d'effectuer l'entretien.
- Les gaz d'échappement du moteur sont très chauds et peuvent contenir des étincelles. Ne démarrez pas le produit dans un local clos ou à proximité de matériaux inflammables.
- Ne modifiez pas le produit. Les modifications apportées au produit qui ne sont pas approuvées par le fabricant peuvent causer des blessures graves, voire mortelles.
- Utilisez toujours les accessoires et les pièces de rechange d'origine. Les accessoires et les pièces de rechange qui ne sont pas approuvés par le fabricant peuvent causer des blessures graves, voire mortelles.
- Remplacez les pièces endommagées, usées ou cassées.
- Effectuez uniquement les tâches d'entretien décrites dans le présent manuel de l'opérateur. Laissez un centre d'entretien homologué se charger de toutes les autres opérations d'entretien.
- Retirez tous les outils du produit avant de démarrer le moteur après l'entretien. Les outils mobiles ou les outils fixés aux pièces en rotation peuvent entraîner des blessures.
- Demandez à un centre de service agréé d'effectuer régulièrement l'entretien du produit.

### Montage du disque de coupe et de la plaque de protection

1. Montez le disque de coupe. Reportez-vous à la section *Installation d'une lame de coupe* à la page 84.
2. Montez la plaque de protection. Reportez-vous à la section *Installation d'une lame de coupe* à la page 84.

## Introduction



**AVERTISSEMENT:** Avant d'utiliser le produit, vous devez lire et comprendre le chapitre sur la sécurité.

## Techniques de travail de base

### Joint de retrait et espacement des joints

Lorsque le béton s'hydrate ou durcit et commence à se fixer, il développe des tensions internes qui peuvent entraîner un risque de fissures.

Ce risque remet en question la qualité du béton et suggère d'éventuels défauts. Les joints de retrait sont coupés dans du béton afin de soulager ces tensions avant que celles-ci ne se brisent sous la forme de fissures.

Le système Soff-Cut pour béton frais contrôle le risque de fissures par une planification précoce des entailles à des endroits prédéterminés pour créer des plans moins résistants dans le béton, qui se fissureront ensuite dans le bas des entailles pour relâcher la tension.

Les joints de retrait sciés doivent atteindre au minimum un huitième de la profondeur du béton et une profondeur minimale de 25 mm.

Sciez les joints de retrait lorsque le béton supporte le poids du produit et de l'opérateur. Assurez-vous que le produit ne marque ou n'endommage pas le béton.

La structure du joint offre de nombreuses possibilités. La structure du joint doit être transmise par le fournisseur de la scie qui doit proposer une structure détaillée du joint avant la découpe.

De nombreuses conditions peuvent avoir un effet sur l'espacement des joints.

- L'épaisseur du béton.
- Le type, la quantité et l'emplacement du renforcement.
- La capacité de retrait du ciment-béton (type, quantité), l'agrégat (taille, quantité, qualité), le rapport eau/ciment, les adjuvants, la température du béton.
- La friction à la base.
- Les contraintes de plaque.
- La structure des fondations, crémaillères, fosses, blocs d'équipement, tranchées, etc.
- Les facteurs environnementaux : température, vent, humidité.
- La méthode et la qualité du durcissement du béton.

Généralement, les modèles de joints de retrait doivent diviser les plaques en panneaux de forme plus ou moins carrée, conformément à l'espacement recommandé indiqué dans le tableau.

Épaisseur du béton, mm (pouces)	Espacement maximum, m (pds)
90 (3,5)	2,4 (8)
100, 114 (4, 4,5)	3,0 (10)
125, 140 (5, 5,5)	3,6 (12)
150 (6) ou plus	4,5 (15)

Sur toutes les entailles concourantes, installez des protections de joint Husqvarna sur chaque joint pour éviter de les endommager. Installez une protection supplémentaire à l'endroit où la roue droite croise le joint, pour ne pas endommager le béton.

### Maximiser le système Soff-Cut

« La planification des opérations liées au béton, particulièrement la finition et le jointage, est cruciale... Une mauvaise gestion peut donner lieu à des défauts indésirables de la surface d'usure, notamment des fissures... » (Extrait de l'avant-propos de l'American Concrete Institute (ACI) 302.1 R-96.)

Le système Soff-Cut pour béton frais a révolutionné la méthode utilisée pour contrôler le risque de fissures.

Pour permettre à l'opérateur d'effectuer un bon travail avec le système Soff-Cut, les critères suivants doivent être réunis :

- Une scie de découpe à sec vers le haut Soff-Cut pour béton frais.
- Un disque diamanté pour découpe à sec Husqvarna Soff-Cut.
- Une plaque de protection anti-effilochure Husqvarna installée avec chaque nouveau disque diamanté.
- Un opérateur qualifié pour l'utilisation du système de découpe de béton frais Soff-Cut.

Sans cela, il n'est pas possible de couper les joints de façon assez nette pour contrôler le risque d'apparition de fissures et donc de fournir au propriétaire du bâtiment ce pour quoi il paie.

La spécification 302.1R-96 de l'ACI est très claire sur la question :

« Les scies de découpe à sec de béton frais utilisent des disques imprégnés diamantés et une plaque de protection qui aide à prévenir les éclatements. Il convient de changer à temps les plaques de protection pour limiter efficacement les éclatements. Il est préférable de changer les plaques de protection conformément aux recommandations du fabricant... L'objectif de la découpe à la scie est de créer un plan moins résistant dès que le joint peut être découpé... La planification du processus pour béton frais permet aux joints d'être en place avant le développement d'une contrainte de traction importante dans le béton... »

Le bulletin d'informations de la Portland Cement Association (PCA), Concrete Floors on the ground, indique également :

« Un jointage effectué correctement permet d'éliminer le risque de fissures disgracieuses. Pour réaliser un bon jointage, il faut choisir le type de joint adéquat pour chaque endroit, établir un bon modèle et une bonne structure de joint, et poser le joint au moment opportun... Le moment de découpe des joints est capital... Des scies pour béton frais légères et rapides ont été développées pour permettre de scier des joints très rapidement après la finition du sol, parfois dans les deux heures... si l'entaille est sciée dans les heures qui suivent la finition, il est possible de contrôler le risque de fissures... »

Husqvarna propose le seul système de découpe à sec de béton frais (Soff-Cut) qui contrôle le risque de fissures grâce à une planification rapide de l'entaille. Avec la méthode Soff-Cut, les joints de contrôle sont généralement coupés dans les deux heures qui suivent le processus de finition.

La découpe des joints doit commencer dès que le béton supporte le poids de la scie et de l'opérateur à chaque emplacement de joint et avant la fixation finale.

La découpe des joints hors de ce laps de temps constitue un non-respect de la méthode pour béton frais Soff-Cut.

## Avant d'utiliser le produit

1. Effectuez l'entretien quotidien. Reportez-vous à la section *Calendrier d'entretien à la page 82*.
2. Assurez-vous que la poignée est en position verticale et que la goupille de blocage est installée.
3. Vérifiez que le guide avant est tourné en position avant.
4. Remplissez le réservoir d'huile. Reportez-vous à la section *Caractéristiques techniques à la page 94* pour plus d'informations sur l'huile moteur recommandée.
5. Contrôlez le niveau d'huile. Reportez-vous à la section *Pour contrôler le niveau d'huile à la page 87*.

## Pour remplir le réservoir de carburant



**AVERTISSEMENT:** Ne remplissez pas de bidons lorsque vous vous trouvez dans un véhicule. Risque d'incendie. Placez le bidon sur le sol, à l'écart de votre véhicule.



**REMARQUE:** N'utilisez pas d'essence avec un indice d'octane inférieur à 90 RON (87 AKI). Cela peut endommager le produit.



**REMARQUE:** Utilisez de l'essence sans plomb. N'utilisez pas d'essence sans plomb contenant plus de 10 % d'éthanol. L'essence

contenant plus de 10 % d'éthanol présente un risque d'incendie et peut également provoquer des problèmes de démarrage et de performances. Elle peut également endommager les pièces métalliques, en caoutchouc et en plastique du circuit d'alimentation en carburant.



**REMARQUE:** N'utilisez pas d'essence contenant du méthanol.



**REMARQUE:** Ne conservez pas le carburant plus de 30 jours dans un bidon. L'utilisation d'un carburant périmé peut endommager le produit.

1. Sortez le produit du véhicule de transport et posez-le sur le sol. Si cela vous est impossible, remplissez le produit avec un bidon, plutôt qu'à l'aide d'un pistolet de distributeur d'essence.

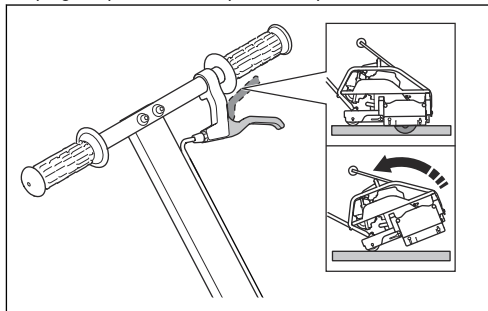


**AVERTISSEMENT:** Utilisez uniquement des bidons approuvés pour l'essence.

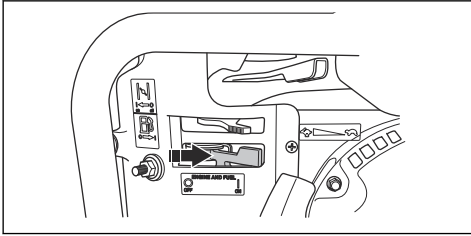
2. Ouvrez lentement le couvercle du réservoir de carburant pour relâcher la pression.
3. Assurez-vous que la buse touche le bord supérieur de l'ouverture du réservoir de carburant jusqu'à ce qu'il soit plein. N'utilisez pas un pistolet avec un dispositif de blocage en position ouverte.
4. Essayez le pourtour du bouchon du réservoir de carburant.
5. Serrez complètement le bouchon du réservoir de carburant. Si le bouchon du réservoir de carburant n'est pas serré, il y a un risque d'incendie.
6. Déplacez le produit à un minimum de 3 m (10 ft) de l'endroit où a été fait le plein de carburant avant de le démarrer.

## Pour démarrer le moteur

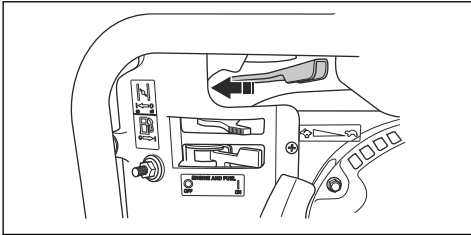
1. Tirez et maintenez le levier de déverrouillage en position lorsque vous inclinez le produit. Abaissez la poignée pour mettre le produit en position inclinée.



2. Relâchez le levier pour bloquer le produit en position inclinée.
3. Placez l'interrupteur marche/arrêt du moteur sur la position de marche (I). En position marche, le robinet de carburant est également ouvert.



4. Déplacez la gâchette d'accélération sur  $\frac{1}{3}$  de sa course vers la gauche en position ouverte.

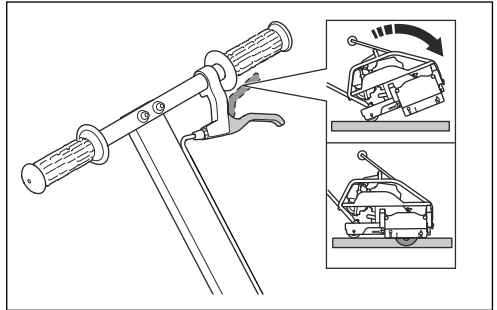


5. Placez la commande de starter sur la position appropriée.
  - a) Si le moteur est froid, fermez le starter.
  - b) Si le moteur est chaud ou si la température ambiante est élevée, ouvrez le starter.

**Remarque:** La position fermée du starter optimise le mélange de carburant pour démarrer un moteur froid. La position ouverte du starter fournit le bon mélange de carburant pour une utilisation une fois le moteur démarré et pour un redémarrage avec moteur chaud.

6. Tirez lentement la poignée du câble du démarreur jusqu'à ressentir une résistance.
7. Relâchez la poignée du câble du démarreur pour laisser le câble du démarreur revenir en arrière.
8. Tirez la poignée du câble du démarreur jusqu'à ce que le moteur démarre. Le disque commence à tourner lorsque le moteur est allumé.
9. Ouvrez progressivement le starter jusqu'à l'ouverture complète.
10. Laissez le moteur tourner au régime de ralenti pendant 2 à 3 minutes avant de le faire tourner à plein régime.

11. Abaissez la poignée et tirez le levier de débrayage du disque pour le faire descendre doucement dans le béton.



## Gestion de la poussière

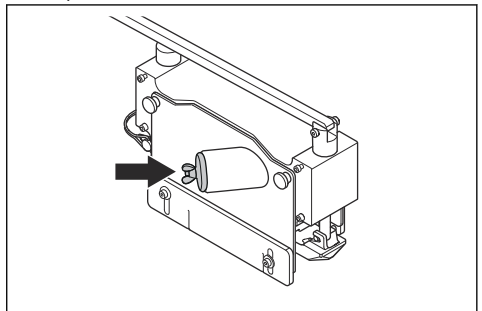
Ce produit est doté d'un orifice d'évacuation de la poussière sur la protection du bloc de disque. L'orifice d'évacuation de la poussière permet de brancher un extracteur de poussière.

- Utilisez toujours un extracteur de poussière. Il est également recommandé d'utiliser un tuyau d'extraction antistatique.

**Remarque:** Pour les produits Husqvarna, les données objectives de l'OSHA sont disponibles sur [www.husqvarnacp.com/us/](http://www.husqvarnacp.com/us/). Les performances de l'extracteur de poussière peuvent changer au fil du temps.

## Branchement d'un extracteur de poussière sur le produit

1. Tournez l'écrou à oreilles du bouchon dans le sens inverse des aiguilles d'une montre.
2. Déposez le bouchon du tuyau sur la protection du bloc de disque.
3. Branchez un extracteur de poussière sur le bloc du disque.



**Remarque:** Si l'extracteur de poussière n'est pas compatible avec le raccordement du produit, utilisez un adaptateur.

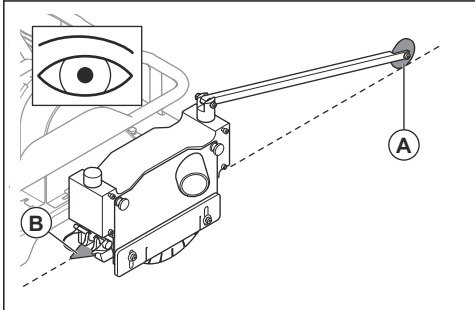


## Pour utiliser le produit, Soff-Cut 150

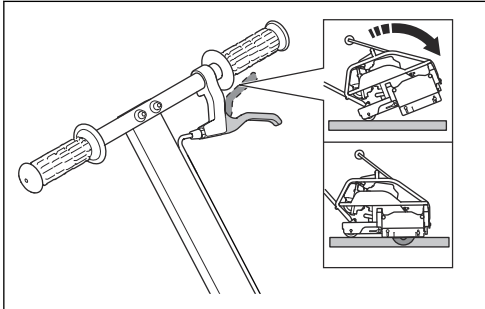


**REMARQUE:** Assurez-vous qu'aucun objet ne heurte le bloc du disque. Cela peut endommager le produit.

1. Démarrez le moteur. Reportez-vous à la section *Pour démarrer le moteur à la page 79.*
2. Ouvrez le levier d'accélération du moteur en position entièrement ouverte, pour une vitesse du moteur maximale.
3. Alignez le pointeur avant (A) et le pointeur arrière (B) sur la ligne où vous allez effectuer la coupe.



4. Abaissez la poignée et tirez le levier de débrayage du disque pour le faire descendre doucement dans le béton.



5. Poussez le produit vers l'avant de manière à maintenir le pointeur avant dans la ligne de découpe. En cas d'installation d'un disque neuf, poussez le produit à mi-vitesse pendant les 50 premiers pieds.
6. Augmentez la vitesse d'avancement du produit jusqu'à ce que le disque et le moteur atteignent une efficacité maximale. Ne forcez pas plus que nécessaire pour pousser le produit vers l'avant.
7. Lorsque vous utilisez le produit près d'un mur, relevez le pointeur avant. Regardez le pointeur arrière pour vous assurer de couper droit.
8. Une fois l'opération terminée, inclinez le produit vers l'arrière pour engager le levier qui maintient le produit en position inclinée.

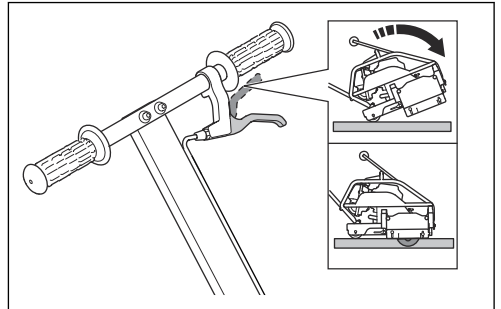
9. Arrêtez le moteur. Reportez-vous à la section *Pour arrêter le moteur à la page 81.*
10. Nettoyez le produit. Reportez-vous à la section *Pour nettoyer la partie extérieure du produit à la page 83.*

## Pour utiliser le produit, Soff-Cut 150D



**REMARQUE:** Assurez-vous qu'aucun objet ne heurte le bloc du disque. Cela peut endommager le produit.

1. Démarrez le moteur. Reportez-vous à la section *Pour démarrer le moteur à la page 79.*
2. Ouvrez le levier d'accélération du moteur en position entièrement ouverte, pour une vitesse du moteur maximale.
3. Alignez la roue de guidage arrière avec l'entaille préexistante.
4. Abaissez la poignée et tirez le levier de débrayage du disque pour le faire descendre doucement dans le béton.



5. Abaissez complètement la scie et le disque dans le béton lorsque les roues de guidage sont correctement alignées dans l'entaille.
6. Poussez le produit vers l'avant de manière à maintenir le pointeur avant dans la ligne de découpe pendant environ 1 pied et assurez-vous que les roues de guidage sont correctement alignées dans l'entaille.
7. Augmentez la vitesse d'avancement du produit jusqu'à ce que le disque et le moteur atteignent une efficacité maximale. Ne forcez pas plus que nécessaire pour pousser le produit vers l'avant.
8. Arrêtez le moteur. Reportez-vous à la section *Pour arrêter le moteur à la page 81.*
9. Nettoyez le produit. Reportez-vous à la section *Pour nettoyer la partie extérieure du produit à la page 83.*

## Pour arrêter le moteur

1. Poussez les poignées de commande vers le bas pour soulever le disque de coupe en position verrouillée.

2. Mettez le levier d'accélération du moteur en position fermée.
3. Placez l'interrupteur marche/arrêt du moteur sur la position d'arrêt (O). Ceci ferme également le robinet de carburant.
4. Nettoyez le produit, reportez-vous à la section *Pour nettoyer la partie extérieure du produit à la page 83*.

## Entretien

### Introduction



**AVERTISSEMENT:** Avant d'effectuer des travaux d'entretien, vous devez lire et comprendre le chapitre sur la sécurité.

### Calendrier d'entretien

Les intervalles d'entretien sont calculés selon une utilisation quotidienne du produit. Les intervalles sont différents si le produit n'est pas utilisé tous les jours.

Pour les travaux d'entretien suivis d'un astérisque (\*), reportez-vous aux instructions dans la section *Dispositifs de sécurité sur le produit à la page 73*.

Entretien	Au quotidien	Une fois par semaine, toutes les 40 heures	Une fois par mois, toutes les 200 heures	Après les 20 premières heures, puis toutes les 100 heures
Faites une inspection générale.	X			
Inspectez le niveau d'huile.	X			
Nettoyez le produit.	X			
Inspectez la plaque de protection (Soff-Cut 150).	X			
Examinez le capot en Lexan™*.	X			
Inspectez la protection du bloc de disque*.	X			
Examinez le disque de coupe.	X			
Inspectez le niveau de carburant.	X			
Nettoyez la bougie.		X		
Inspectez le filtre à air et remplacez-le si nécessaire.		X		
Inspectez la courroie d'entraînement.		X		
Changez l'huile moteur.				X
Lubrifiez les roulements de l'arbre du disque.		X		
Remplacez le filtre à air.			X	
Examinez et nettoyez la coupelle à sédiments.			X	
Inspectez la bougie et l'écartement des électrodes.			X	

## Pour nettoyer la partie extérieure du produit



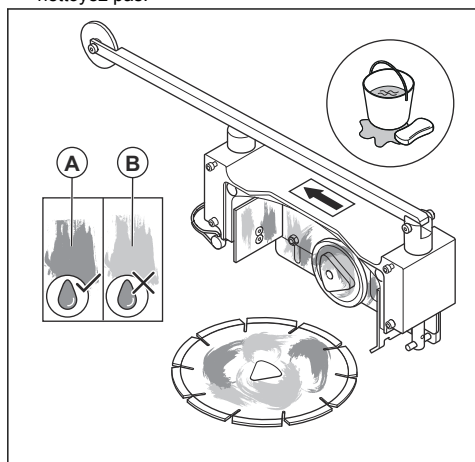
**REMARQUE:** Nettoyez toujours le produit immédiatement après utilisation, avant que le béton ne sèche. Les résidus de béton peuvent endommager le produit.

1. Retirez la lame. Reportez-vous à la section *Dépose du disque* à la page 83.
2. Nettoyez le produit avec de l'eau.



**REMARQUE:** Ne dirigez pas l'eau directement vers le moteur, en particulier lors de l'utilisation d'un nettoyeur haute pression.

3. Assurez-vous que les poignées et les leviers sont propres et secs avant d'utiliser le produit.
4. Nettoyez le bloc du disque et le disque pour éliminer les particules de béton après chaque utilisation. Utilisez une brosse dure et de l'eau. Le résidu de béton (A) sèche et se dépose (B) si vous ne le nettoyez pas.



5. Maintenez toutes les ouvertures et fentes sur le produit propres de façon à ce que l'air circule librement dans le compartiment moteur.

## Pour vérifier la bougie



**REMARQUE:** Utilisez toujours le type de bougie recommandé. Un type de bougie inadéquat peut endommager le produit.

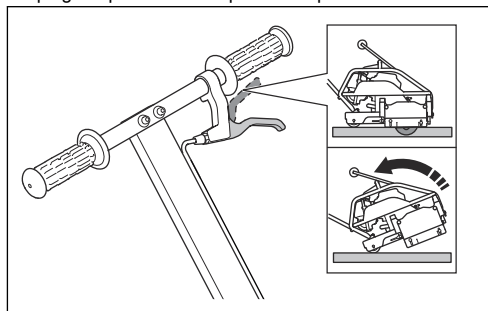
- Pour plus d'informations, reportez-vous au manuel d'utilisation du moteur.

## Pour faire une inspection générale

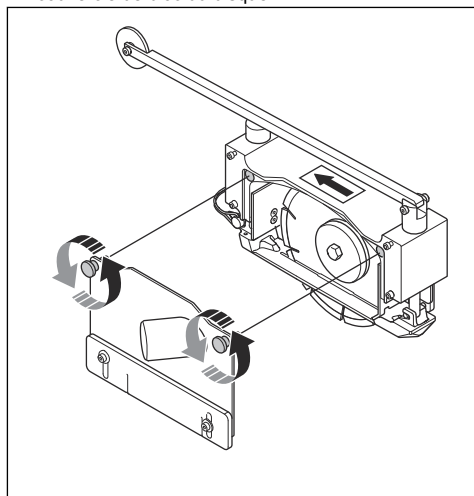
- Assurez-vous que les vis et les écrous du produit sont serrés.
- Assurez-vous qu'il n'y a pas de fuite d'huile ou de carburant.
- Soff-Cut 150D: Assurez-vous que les roues du guidage avant et du guidage arrière tournent librement.

## Dépose du disque

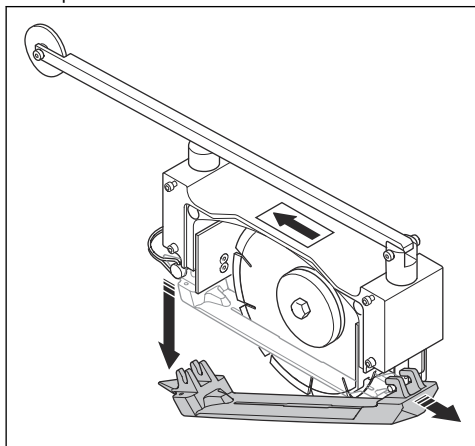
1. Tirez et maintenez le levier de déverrouillage en position lorsque vous inclinez le produit. Abaissez la poignée pour mettre le produit en position inclinée.



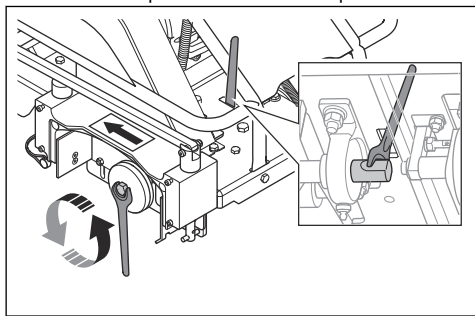
2. Relâchez le levier pour bloquer le produit en position inclinée.
3. Tournez les 2 boutons de verrouillage dans le sens inverse des aiguilles d'une montre et déposez le couvercle de bloc du disque.



4. Appuyez sur le pointeur arrière pour libérer la plaque de protection.

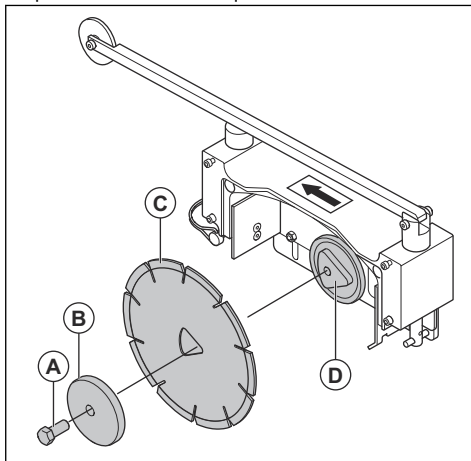


5. Placez 1 clé à disque dans la fente à l'avant du moteur. Placez 1 clé à disque sur le boulon de l'arbre de disque dans le bloc du disque.



**Remarque:** Le produit est fourni avec 2 clés à disque.

6. Tournez le boulon de l'arbre de disque (A) dans le sens inverse des aiguilles d'une montre jusqu'à ce que la clé dans la fente s'engage sur les surfaces planes de l'arbre de disque.



7. Déposez le boulon de l'axe de lame (A). Retirez la bride de disque extérieure (B). Retirez le disque (C) de son arbre (D).

## Installation d'une lame de coupe



**AVERTISSEMENT:** N'utilisez pas de lame de coupe dont la vitesse nominale est inférieure à celle du produit. La vitesse nominale du disque de coupe est indiquée sur le disque et celle du produit est indiquée sur la plaque d'identification. Utilisez uniquement des disques Soff-Cut Husqvarna conformes aux normes nationales ou régionales, par exemple EN 13236 ou ANSI B7.1.

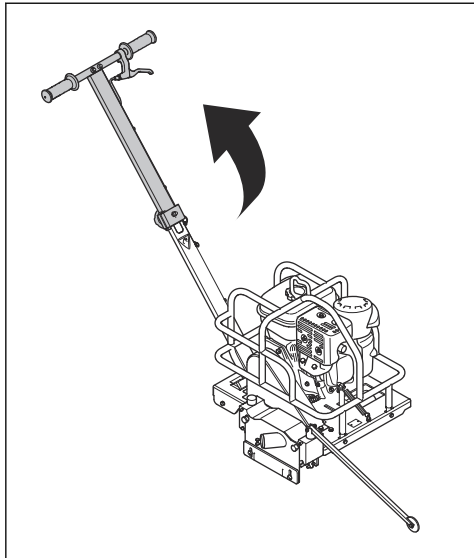


**REMARQUE:** Vérifiez que le disque n'est pas endommagé, n'a pas perdu de morceaux et ne présente pas de défauts tels que des fissures, des déformations, une surchauffe, une usure excessive ou des dommages dans le trou de l'axe triangulaire. Jetez les disques défectueux.

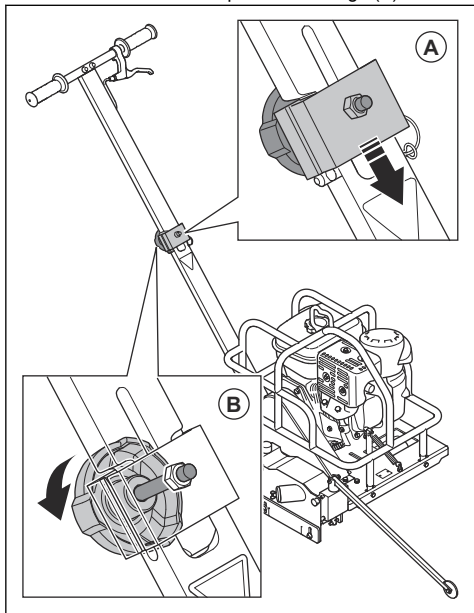
Vérifiez que les brides de disque ne présentent ni dommages ni usure excessive et assurez-vous qu'elles sont propres.

Les disques de coupe ne sont pas fournis avec le produit. Utilisez uniquement des disques de coupe Husqvarna d'origine. Reportez-vous à la section *Caractéristiques techniques à la page 94* pour connaître le type approprié pour votre modèle. Pour le Soff-Cut 150, une plaque de protection est incluse dans le kit de disques de coupe.

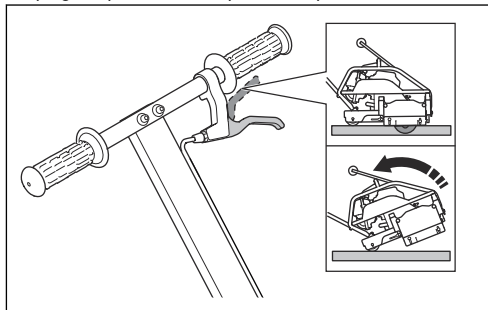
1. Repliez la poignée entièrement en position droite.



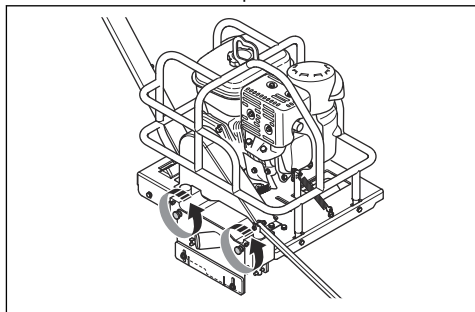
2. Poussez la pince de blocage (A).
3. Serrez la molette de la pince de blocage (B).



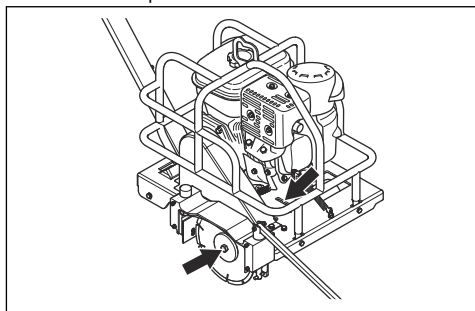
4. Tirez et maintenez le levier de déverrouillage en position lorsque vous inclinez le produit. Abaissez la poignée pour mettre le produit en position inclinée.



5. Relâchez le levier pour bloquer le produit en position inclinée.
6. Tournez les 2 boutons de verrouillage dans le sens inverse des aiguilles d'une montre et déposez le couvercle de bloc du disque.

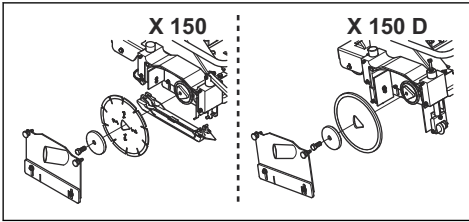


7. Placez l'une des clés fournies dans la fente à l'avant du moteur. Placez l'autre clé fournie sur le boulon de l'arbre de disque.



8. Faites tourner l'arbre de disque dans le sens inverse des aiguilles d'une montre avec la clé sur le boulon d'arbre de disque jusqu'à ce que la clé dans la fente s'engage sur les surfaces planes de l'arbre de disque.
9. Continuez à faire tourner le boulon d'axe de lame dans le sens contraire des aiguilles d'une montre pour le déposer.

10. Retirez la bride de lame extérieure.
11. Nettoyez tout le béton de l'arbre, du bloc de disque et de la protection du bloc de disque.
12. Posez le disque de coupe sur l'arbre. Assurez-vous que le disque de coupe est serré autour de l'arbre.

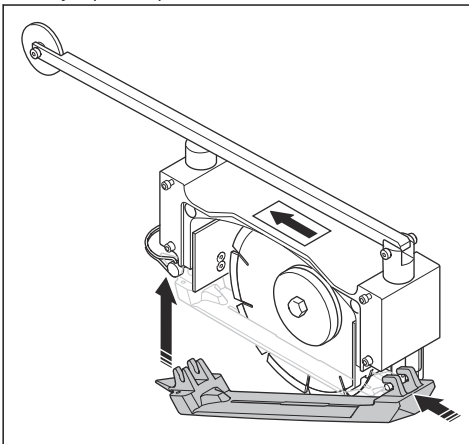


13. Posez la bride de disque extérieure. Serrez le boulon jusqu'au bout.
14. Modèle Soff-Cut 150 : Installez une nouvelle plaque de protection.



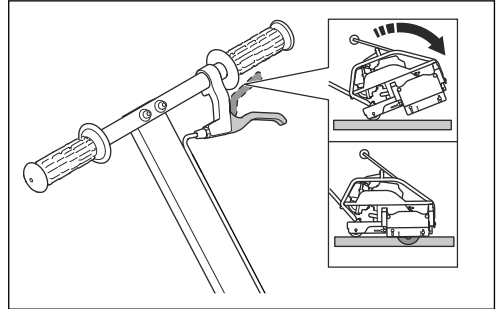
**REMARQUE:** N'installez pas une plaque de protection usagée.

- a) Placez l'avant de la plaque de protection sur le pivot de l'arbre du bloc de disque avant.
- b) Poussez l'arrière de la plaque de protection vers le haut contre l'arbre du bloc de disque arrière jusqu'à ce que vous entendiez un clic.



15. Posez la protection de bloc de disque. Alignez les 2 boutons de la protection du bloc de disque avec les trous du bloc de disque. Tournez les 2 boutons de la protection du bloc de disque et serrez jusqu'à ce qu'elle soit complètement fixée sur le bloc de disque.
16. Modèle Soff-Cut 150 : Soulevez l'avant et l'arrière de la plaque de protection pour vous assurer que le disque glisse librement dans la plaque de protection.

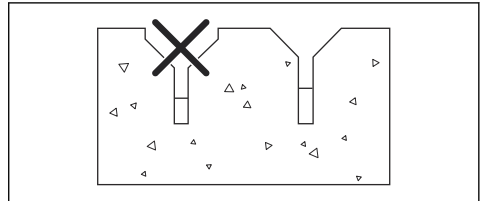
17. Assurez-vous que le capot en Lexan™ bouge librement vers le haut et vers le bas.
18. Abaissez la poignée et tirez le levier de débrayage du disque pour le faire descendre doucement dans le béton.



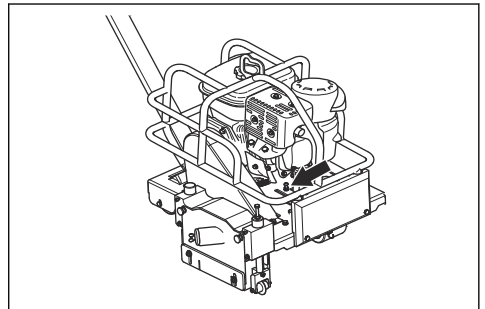
## Pour régler la profondeur de lame (Soff-Cut 150D)



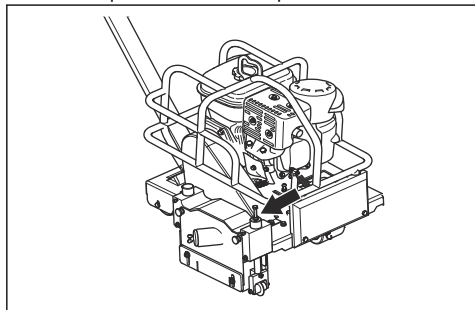
**REMARQUE:** La profondeur de découpe du disque arrondi et de la lame en V est réglée au maximum en usine. Ne la réglez pas sauf si cela s'avère nécessaire. Réglez-la uniquement pour les petites coupes fines. N'augmentez pas la profondeur. Cela risque de créer une coupe en biseau.



1. Desserrez l'écrou de blocage dans le sens contraire des aiguilles d'une montre pour régler la butée de profondeur.



2. Tournez le boulon de réglage de la profondeur dans le sens des aiguilles d'une montre. Chaque tour complet du boulon de réglage de la profondeur réduit la largeur de découpe d'1/8 po.
3. Desserrez l'écrou de blocage de la vis de réglage de la plongée dans le sens inverse des aiguilles. Abaissez l'arrière du cadre de sécurité pour vous assurer que les roues sont à plat sur le sol.



4. Tournez à la main et dans le sens des aiguilles d'une montre la vis de réglage de la plongée jusqu'à ce qu'elle touche l'arbre de roue de guidage.
5. Desserrez la vis de réglage de plongée d'un quart de tour dans le sens inverse des aiguilles d'une montre. Serrez l'écrou de blocage pour verrouiller la vis de réglage de la plongée.
6. Découpez une entaille à la scie sur environ 1 pied pour vous assurer que vous obtenez la bonne coupe décorative.

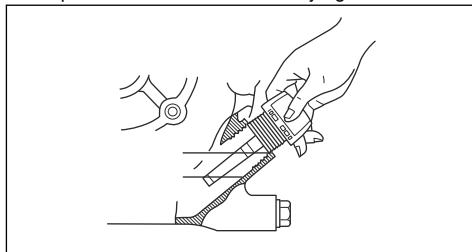
## Contrôle de la plaque de protection Soff-Cut 150

- Vérifiez la plaque de protection afin de détecter d'éventuels dommages.
- Vérifiez que la fente de la plaque de protection n'est pas trop usée.
- Examinez le côté de la surface en béton. Assurez-vous qu'il n'y a pas de bavures et que les segments latéraux ne sont pas tordus.
- Installez une nouvelle plaque de protection avec chaque nouvelle lame. N'utilisez pas une plaque de protection usagée avec un disque neuf.
- Soulevez l'avant et l'arrière de la plaque de protection pour vous assurer que le disque glisse librement dans la plaque de protection.

## Pour contrôler le niveau d'huile

1. Arrêtez le moteur.
2. Placez le produit sur un sol plat.
3. Retirez le bouchon du réservoir d'huile et la jauge qui y est attachée.
4. Nettoyez l'huile sur la jauge.
5. Réinsérez la jauge. Ne la serrez pas.
6. Sortez la jauge et lisez le niveau d'huile.

7. Inspectez le niveau d'huile sur la jauge.



8. Si le niveau d'huile est bas, faites l'appoint d'huile moteur et contrôlez à nouveau le niveau d'huile. Reportez-vous à la section *Caractéristiques techniques* à la page 94 pour connaître le type d'huile approprié.
9. Serrez correctement le bouchon du réservoir d'huile avant de démarrer le moteur.

**Remarque:** Le moteur est équipé d'un système d'alerte de niveau d'huile qui arrête le moteur si le niveau d'huile est trop bas. Il est impossible de démarrer le moteur sans faire passer le niveau d'huile au-dessus du seuil prescrit.

## Pour remplacer l'huile moteur

Reportez-vous à la section pour *Calendrier d'entretien* à la page 82 connaître les intervalles.



**AVERTISSEMENT:** L'huile moteur est très chaude juste après l'arrêt du moteur. Laissez le moteur refroidir avant de vidanger l'huile moteur. Si vous renversez de l'huile moteur sur votre peau, nettoyez avec de l'eau et du savon.

1. Placez un récipient sous le bouchon de vidange pour récupérer l'huile moteur.
2. Ôter le bouchon de vidange.
3. Laissez l'huile s'évacuer dans le conteneur.
4. Remettez le bouchon de vidange et serrez-le.
5. Remplissez d'huile neuve conformément à la recommandation. Reportez-vous à la section *Caractéristiques techniques* à la page 94.
6. Reportez-vous à la section *Pour contrôler le niveau d'huile* à la page 87 pour savoir comment remplir d'huile.

## Filtre à air



**AVERTISSEMENT:** utilisez une protection respiratoire homologuée lorsque vous nettoyez ou remplacez le filtre à air. Mettez au rebut les filtres à air usés de manière appropriée. La poussière présente dans les filtres à air est dangereuse pour la santé.



**AVERTISSEMENT:** Ne nettoyez pas le filtre à air à l'air comprimé. Cette action endommage le filtre à air et augmente le risque d'inhalation de poussière dangereuse.



**REMARQUE:** remplacez toujours un filtre à air endommagé car de la poussière pourrait pénétrer dans le moteur et l'endommager.

Le filtre à air est de type cyclonique ; il se situe sur le moteur, à l'avant de la scie. Remplacez l'élément du filtre à air selon le calendrier d'entretien. Remplacez-le plus fréquemment si nécessaire.

Pour plus d'informations, reportez-vous au manuel d'utilisation du moteur.

## Pour contrôler la courroie d'entraînement

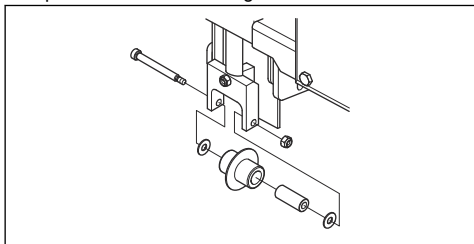
- Assurez-vous que la courroie d'entraînement ne présente pas de dommages ou de défauts visibles.
- Le tendeur de courroie contrôle la tension de la courroie. Il n'est pas nécessaire de régler la tension de la courroie.
- Assurez-vous que le tendeur de courroie bouge librement vers le haut et vers le bas.
- Assurez-vous que les paliers du tendeur de courroie bougent librement.

## Pour remplacer les roues de guidage (Soff-Cut 150D)

Utilisez les roues de guidage de 1/4" lorsque vous réalisez des entailles de 1/4" avec la lame XL6-V25-D. Les roues de guidage avant et arrière sont fournies avec la scie.

**Remarque:** Il convient de remplacer à la fois les roues de guidage avant et arrière ; ne mélangez pas des roues de guidage de largeurs différentes.

1. Retirez l'écrou de verrouillage et retirez le boulon à épaulement en le faisant glisser.

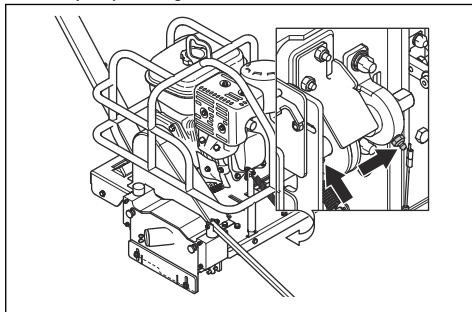


2. Notez les rondelles et les autres pièces retirées, ainsi que l'ordre de montage.
3. Faites glisser la bague en bronze à partir de l'intérieur de l'ancienne roue de guidage avant et insérez-la dans la nouvelle.
4. Faites glisser la bague en bronze à partir de l'intérieur de l'ancienne roue de guidage arrière et insérez-la dans la nouvelle.
5. Installez les nouvelles roues de guidage à l'aide des mêmes boulons à épaulement, écrous de verrouillage et rondelles en plastique.

Des roues de guidage d'un demi-pouce (non fournies avec la scie) sont également disponibles pour utilisation avec la lame ProEdge XL6-V500-D, pour des entailles de 1/2".

## Pour lubrifier les roulements de l'axe de lame

- Lubrifiez les roulements de l'arbre de disque avec trois pompes de graisse.



Pour connaître le type de graisse correct, reportez-vous à la section *Caractéristiques techniques* à la page 94.

## Entretien du moteur

Reportez-vous au manuel de l'opérateur du moteur pour de plus amples informations concernant l'entretien du moteur. Le manuel de l'opérateur du moteur fournit également des informations sur les spécifications, les pièces de mise au point, la garantie moteur, le respect des normes en matière d'émissions, etc.



# Dépannage

## Schéma de dépannage

produit. Faites preuve de prudence et de bon sens et préparez l'intervention.



**AVERTISSEMENT:** Le dépannage entraîne des risques de blessure car le personnel intervient dans les zones à risques du

Si vous ne trouvez pas de solution à un problème dans ce manuel d'utilisation, contactez votre agent d'entretien Husqvarna.

Problème	Solution
Le produit provoque des éclatements ou des arrachements lors de la coupe (Soff-Cut 150).	Assurez-vous que le disque de coupe n'est pas usé, lisse, déformé ou endommagé.
	Vérifiez que la plaque de protection ne touche pas le disque de coupe et qu'elle se déplace librement vers le haut et vers le bas sur toute la longueur de l'arbre.
	Assurez-vous que la plaque de protection n'est pas usée et qu'il n'y a pas de jeu autour du disque de coupe.
	Examinez le bas de la plaque de protection et assurez-vous qu'il ne présente pas de bavures métalliques ou de défauts.
	Vérifiez que la plaque de protection n'est pas tordue ou déformée.
	Assurez-vous que le capot en Lexan™ peut bouger librement vers le haut et vers le bas.
	Contrôlez la pression du ressort. Poussez les arbres avant et arrière du bloc de disque vers le haut. La pression doit être faible à modérée.
	Ne tournez pas ou ne déplacez pas le produit sur le côté pendant la découpe. Modifiez progressivement la pression sur la poignée pour contrôler le disque dans l'entaille.
	Vérifiez que le moteur fonctionne correctement et au régime spécifié.
	Vérifiez que la tension de la courroie et du galet tendeur de la courroie est correcte.
	Assurez-vous que le disque de coupe est correctement assemblé et fixé et que les brides sont propres.
	Assurez-vous que le disque de coupe est conforme aux spécifications de votre zone ou type de béton.
	Assurez-vous que la surface en béton est propre et que la plaque de protection peut se déplacer sans à-coups sur la surface.
	Utilisez les protections de joint Husqvarna à toutes les intersections de coupe.
	Nettoyez l'ensemble du bloc de disque.

Problème	Solution
Le produit génère des coupes en biseau ou arrondies (Soff-Cut 150D).	Assurez-vous que le disque de coupe n'est pas usé, lisse, déformé ou endommagé.
	Vérifiez que les roues de guidage avant et arrière peuvent tourner et se déplacer librement vers le haut et vers le bas.
	Laissez le disque diamanté couper à sa propre vitesse. N'exercez pas une force excessive sur le produit lorsque vous le poussez vers l'avant.
	Assurez-vous que les roues de guidage sont alignées avec la coupe préexistante avant de démarrer.
	Vérifiez que les coupes existantes sont propres et exemptes de contamination indésirable.
	Assurez-vous que le capot en Lexan™ peut bouger librement vers le haut et vers le bas.
	Contrôlez la pression du ressort. Poussez les arbres avant et arrière du bloc de disque vers le haut. La pression doit être faible à modérée.
	Ne tournez pas ou ne déplacez pas le produit sur le côté pendant la découpe. Modifiez progressivement la pression sur la poignée pour contrôler le disque dans l'entaille.
	Vérifiez que le moteur fonctionne correctement et au régime spécifié.
	Vérifiez que la tension de la courroie et des poulies est correcte.
	Assurez-vous que le disque de coupe est correctement assemblé et fixé et que les brides sont propres.
	Assurez-vous que la surface en béton est propre et que la plaque de protection peut se déplacer sans à-coups sur la surface.
	Nettoyez les résidus de béton indésirables du bloc de disque.
	Vérifiez que les racleurs dans le bloc de disque peuvent se déplacer librement et qu'ils ne sont pas tordus.
	Assurez-vous que les arbres du bloc de disque peuvent se déplacer librement et qu'ils ne sont pas tordus.
Effectuez une nouvelle coupe dans la coupe préexistante, dans l'autre sens.	
Le produit tire sur le côté pendant le fonctionnement (Soff-Cut 150).	Vérifiez que le pointeur avant est correctement aligné avec le centre du disque de coupe.
	Vérifiez que la plaque de protection ne présente ni dommages ni bavures.
Le produit tire d'un côté pendant la découpe (Soff-Cut 150D).	Vérifiez que les pointeurs avant et arrière sont correctement alignés avec le centre du disque de coupe.
	Vérifiez que le disque de coupe n'est pas usé, lisse, déformé ou endommagé.
	Ne tournez pas ou ne déplacez pas le produit sur le côté pendant la découpe. Modifiez progressivement la pression sur la poignée pour contrôler le disque dans l'entaille.
	Assurez-vous que toutes les roues bougent librement et sans à-coups.
	Laissez le disque diamanté couper à sa propre vitesse. N'exercez pas une force excessive sur le produit lorsque vous le poussez vers l'avant.

Problème	Solution
Le moteur ne démarre pas.	Vérifiez qu'il y a du carburant dans le réservoir et qu'il s'agit du bon type de carburant. Assurez-vous de l'absence d'eau dans le carburant.
	Assurez-vous que le levier du robinet de carburant est en position de marche.
	Assurez-vous que l'interrupteur marche/arrêt est en position de marche.
	Assurez-vous que le câble de la bougie d'allumage est branché sur la bougie.
	Le moteur est noyé. Réglez le starter : reportez-vous au manuel d'utilisation du moteur.
	Vérifiez que le starter est en position de marche pour les démarrages à froid. Réglez le starter : reportez-vous au manuel d'utilisation du moteur.
	Contrôlez le niveau d'huile. Le moteur est équipé d'un système d'alerte de niveau d'huile qui arrête le moteur si le niveau d'huile est trop bas.
	Assurez-vous que le filtre à air n'est pas sale ou bouché.
	Vérifiez que l'arbre de disque tourne librement et que du béton ne s'est pas accumulé dans le bloc de disque.
Le moteur ne fonctionne pas correctement ou pas du tout à plein régime.	Vérifiez qu'il y a du carburant dans le réservoir et qu'il s'agit du bon type de carburant. Assurez-vous de l'absence d'eau dans le carburant.
	Contrôlez le niveau d'huile. Le moteur est équipé d'un système d'alerte de niveau d'huile qui arrête le moteur si le niveau d'huile est trop bas.
	Assurez-vous que le filtre à air n'est pas sale ou bouché.
	Assurez-vous que la bougie d'allumage est propre et présente l'écartement correct. Reportez-vous au manuel d'utilisation du moteur.
	Assurez-vous que la commande d'accélération est réglée correctement.
	Vérifiez que le starter est en position de marche pour les démarrages à froid. Réglez le starter : reportez-vous au manuel d'utilisation du moteur.

## Transport, entreposage et mise au rebut

### Transport



**AVERTISSEMENT:** soyez prudent lors du transport. Le produit est lourd et peut provoquer des blessures ou être endommagé en cas de chute ou de déplacement lors du transport.

Les roues vous permettent de déplacer manuellement le produit sur de courtes distances. Pour de longues distances, soulevez le produit pour le déplacer ou le placer sur un véhicule.

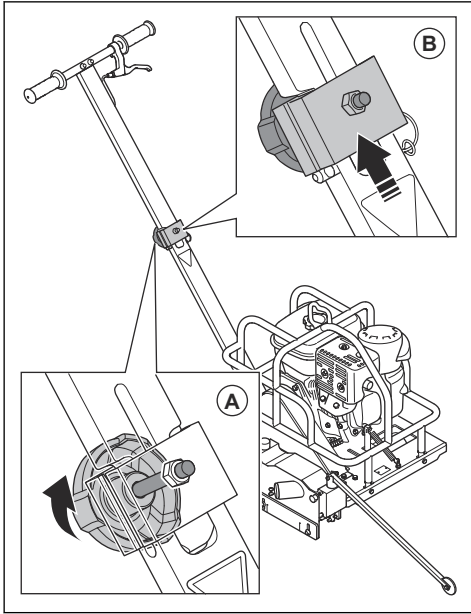


**REMARQUE:** ne remorquez pas le produit derrière un véhicule.

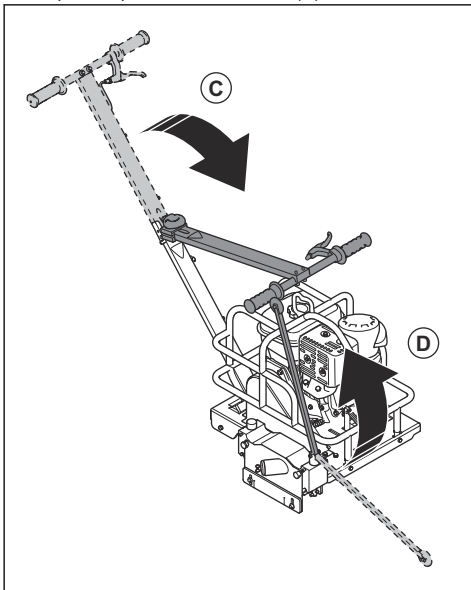
- Arrimez le produit pour le transporter à l'aide d'un véhicule. Fixez des sangles d'arrimage sur le cadre de sécurité et sur le véhicule.
- Placez l'interrupteur marche/arrêt du moteur sur la position d'arrêt. Ceci ferme également le robinet de carburant.
- Retirez la lame de coupe avant le transport du produit.
- Posez le produit dans la position la plus basse.
- Pour le stocker et transporter le produit et le carburant, assurez-vous qu'il n'y a pas de fuite ou de vapeurs. Les étincelles ou les flammes nues produites par exemple par des appareils électriques ou chaudières peuvent provoquer un incendie.
- Utilisez uniquement des récipients homologués pour le transport de carburant.
- Repliez le produit, reportez-vous à la section *Repliage du produit à la page 92.*

## Repliage du produit

1. Desserrez la roue de la pince de blocage (A).
2. Soulevez la pince de blocage (B).



3. Pliez la poignée vers l'avant (C).
4. Repliez le pointeur vers le haut (D).



## Pour lever le produit



**AVERTISSEMENT:** Assurez-vous que le matériel de levage est de dimensions appropriées. La plaque signalétique sur le produit indique le poids du produit.

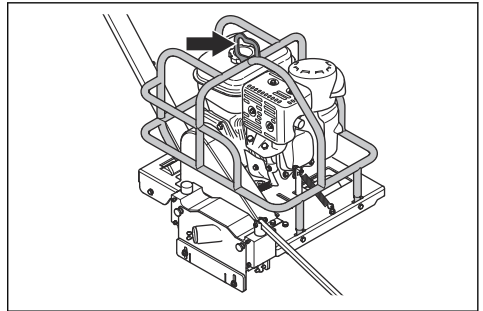


**AVERTISSEMENT:** Ne soulevez pas un produit endommagé. Vérifiez que le point de levage est bien fixé et en bon état.



**AVERTISSEMENT:** N'utilisez pas de crochets métalliques, de chaînes ou d'autres équipements de levage dont les bords sont irréguliers et qui peuvent endommager le point de levage.

- Si 2 personnes soulèvent la scie, utilisez la barre du cadre de sécurité de chaque côté de la scie et soulevez-la avec les deux mains.
- Lorsqu'un équipement de levage est utilisé, attachez-le au point de levage du cadre de sécurité.



## Remisage

- Le produit n'est pas équipé d'un frein de stationnement. Ne vous éloignez pas du produit s'il est en fonctionnement. S'il est nécessaire de stationner le produit sur une pente, assurez-vous que le produit est correctement attaché et qu'il ne peut pas bouger.
- Retirez le disque de coupe avant le remisage du produit.
- Conservez le produit dans un endroit verrouillé afin que des enfants ou personnes qui ne sont pas autorisées à l'utiliser ne puissent pas y avoir accès.
- Conservez les lames de coupe dans un endroit sûr pour éviter tout dommage.
- Conservez les lames de coupe dans un endroit sec et à l'abri du gel.
- Vérifiez que les lames de coupe neuves n'ont pas été endommagées pendant le remisage.
- Pour le remisage du produit et du carburant, assurez-vous qu'il n'y a pas de fuite ou de vapeurs. Les étincelles ou les flammes nues produites par

exemple par des appareils électriques ou chaudières peuvent provoquer un incendie.

- Utilisez uniquement des récipients homologués pour le remisage de carburant.
- Repliez le produit, reportez-vous à la section *Pour lever le produit à la page 92.*

Pour le remisage à long terme, procédez également comme suit :

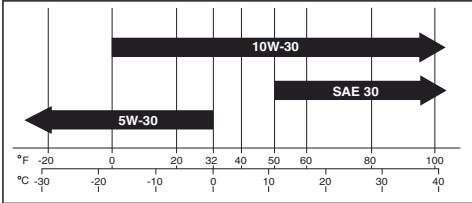
- Nettoyez le produit et procédez à un entretien complet.
- Videz le réservoir de carburant.
- Entreposez le produit dans un endroit sec et à l'abri du gel.
- Placez un capot de protection sur le produit. C'est particulièrement important pour le remisage en extérieur.
- Remplacez l'huile moteur après un remisage à long terme.

## **Mise au rebut**

- Respectez les consignes locales de recyclage et la réglementation en vigueur.
- Mettez au rebut tous les produits chimiques tels que l'huile moteur ou le carburant à un centre d'entretien ou à une déchetterie appropriée.
- Lorsque vous n'utilisez plus le produit, renvoyez-le à un Husqvarnaconcessionnaire ou mettez-le au rebut dans une déchetterie.

## Caractéristiques techniques

### Caractéristiques techniques

	Soff-Cut 150	Soff-Cut 150D
<b>Moteur<sup>15</sup></b>		
Marque/type du moteur	Kohler/CH255	Kohler/CH255
Puissance moteur, kW à tr/min / Ch à tr/min <sup>16</sup>	4,0 à 3 600/5,5 à 3 600	4,0 à 3 600/5,5 à 3 600
<b>Système de graissage/de carburant</b>		
Capacité du réservoir de carburant, l/gal	3,0 / 0,8	3,0 / 0,8
Système d'huile	Système d'alerte de niveau d'huile avec détecteur automatique commandant l'arrêt.	Système d'alerte de niveau d'huile avec détecteur automatique commandant l'arrêt.
Capacité du réservoir d'huile, l/quart	0,6 / 0,63	0,6 / 0,63
Huile moteur	<p>Nous recommandons l'utilisation d'huiles Kohler pour des performances optimales. D'autres huiles détergentes de haute qualité, y compris les huiles synthétiques, de la classe de service de l'API (American Petroleum Institute, Institut américain du pétrole) SJ ou supérieure sont acceptables. Sélectionnez la viscosité en fonction de la température d'air au moment de l'opération, comme indiqué sur le schéma ci-dessous.</p> 	
Graisse	Graisse à base de lithium 12	Graisse à base de lithium 12
<b>Poids</b>		
Réservoirs vides, en kg/lbs	37/82	43/95
Avec carburant, kg/lbs	40/88	46/101
<b>Émissions sonores<sup>17</sup></b>		
Niveau de puissance sonore, mesuré dB(A)	100	100

<sup>15</sup> Pour de plus amples informations et pour toute question concernant ce moteur en particulier, consultez le manuel du moteur ou le site Internet du fabricant du moteur.

<sup>16</sup> Tel que spécifié par le fabricant du moteur. Puissance nominale brute conforme à la norme SAE J1940/J1995, au régime spécifié.

<sup>17</sup> Émissions sonores dans l'environnement mesurées comme puissance sonore ( $L_{WA}$ ) selon la directive européenne CE 2000/14/CE.

	<b>Soff-Cut 150</b>	<b>Soff-Cut 150D</b>
Niveau de puissance acoustique, garanti $L_{WA}$ dB(A)	102	102
<b>Niveaux sonores</b> <sup>18</sup>		
Niveau de pression sonore à l'oreille de l'utilisateur, dB (A)	86	86
<b>Niveaux de vibration, <math>a_{Hveq}</math></b> <sup>19</sup>		
Poignée droite, m/s <sup>2</sup>	5,9	5,9
Poignée gauche, m/s <sup>2</sup>	4,0	4,0
<b>Lame d'éclaircissage</b>		
Type de lame	Disque diamanté, découpe à sec avec axe triangulaire	Lames arrondies et biseautées Pro-Edge
Matériau	Béton frais uniquement	Joints de contrôle uniquement sur béton durci
Taille de disque max., mm/po	165/6,5	152/6
Profondeur de découpe max., mm/po	38,1/1,5	27/0,5
Distance de découpe à partir du mur, mm/po	76/3	114/4,5
Rotation de disque	Dans le sens contraire des aiguilles d'une montre, découpe vers le haut	Dans le sens contraire des aiguilles d'une montre, découpe vers le haut
Vitesse d'axe de lame, trs/min	4 500	4 500
Réglage de la profondeur de découpe	Manuel	Manuel
<b>Taux de découpe moyen</b> <sup>20</sup>		
Agrégats meubles, m/min ou ft/min	3,7 ou 12	
Agrégats moyennement durs, m/min ou ft/min	2,4 ou 8	
Agrégats durs, m/min ou ft/min	1,2 ou 4	
<b>Extracteurs de poussière recommandés</b> <sup>21</sup>		
Débit d'air min, CFM ou m <sup>3</sup> /h	236 ou 400	
Dépression min., psi/kPa	3,6/22	
Élévation d'eau min., m/po	2,3/90	

<sup>18</sup> Niveau de pression sonore conformément à la norme ISO EN 13862. Les données reportées pour le niveau de pression sonore montrent une dispersion statistique typique (déviations standard) de 2,5 dB(A).

<sup>19</sup> Niveau de vibration conformément à EN 13862. Les données reportées pour le niveau de vibrations montrent une dispersion statistique typique (déviations standard) de 1 m/s<sup>2</sup>.

<sup>20</sup> Il s'agit uniquement d'une estimation. La vitesse dépendra des conditions de travail effectives et des mélanges de béton.

<sup>21</sup> Les fiches techniques des extracteurs de poussière ne fournissent pas de comparaison entre les performances réelles sur la durée des différents modèles d'extracteur. Pour les produits Husqvarna, les données objectives de l'OSHA sont disponibles sur [www.husqvarnacp.com/us/](http://www.husqvarnacp.com/us/).

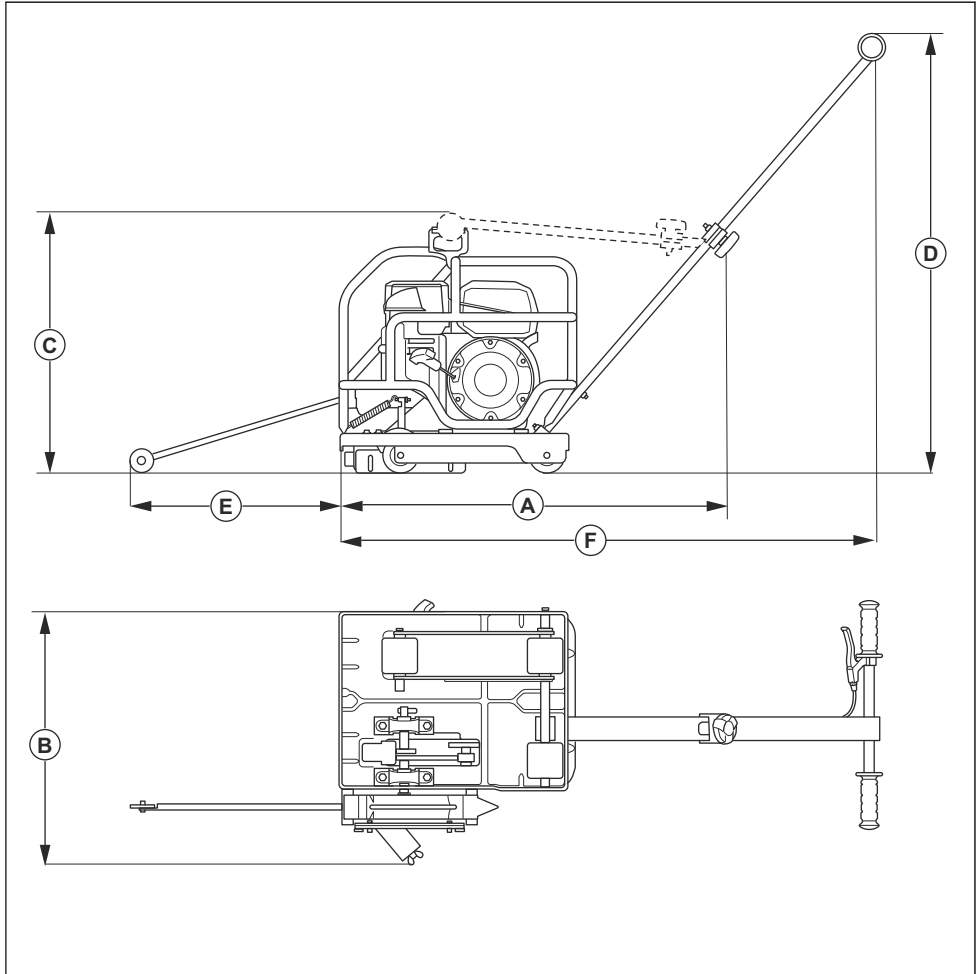
	Soff-Cut 150	Soff-Cut 150D
Fixation pour l'extracteur de poussière, mm/po	60/2	

## Déclaration relative au bruit et aux vibrations

Ces valeurs déclarées ont été obtenues grâce à des essais types effectués en laboratoire conformément à la directive ou aux normes mentionnées. Elles conviennent à l'établissement d'une comparaison avec les valeurs déclarées d'autres produits testés conformément aux mêmes normes ou à la même directive. Ces valeurs ne sont pas adaptées à une utilisation à des fins d'évaluations des risques ; les valeurs mesurées dans différents lieux de travail peuvent être plus élevées. Les valeurs d'exposition réelles et les risques de blessures rencontrés par chaque utilisateur sont uniques et dépendent de la manière dont l'utilisateur travaille, dans quel matériau le produit est utilisé, mais aussi de la durée d'exposition, de la condition physique de l'utilisateur et de l'état du produit.



## Dimensions du produit



Dimensions, mm/po		Soff-Cut 150	Soff-Cut 150D
A	Longueur avec le guidon replié	860/33,9	860/33,9
B	Largeur	560/22	560/22
C	Hauteur	566/22,3	571/22,5
D	Hauteur avec poignée	932/37	945/37,2
E	Distance entre la roue du pointeur avant et le produit	445/17,5	N/A

Dimensions, mm/po		Soff-Cut 150	Soff-Cut 150D
F	Distance entre l'avant du produit et la poignée	1178/46,4	1192/46,9

# Déclaration de conformité

## Déclaration de conformité UE

Nous, **Husqvarna AB**, SE-561 82 Huskvarna, Suède,  
tél. : +46-36-146500, déclare que le produit :

<b>Description</b>	<b>Machine de découpe de sol</b>
<b>Marque</b>	Husqvarna
<b>Type/Modèle</b>	Soff-Cut 150, Soff-Cut 150D
<b>Identification</b>	Les numéros de série à partir de 2021

sont entièrement conformes à la réglementation et aux directives de l'UE suivantes :

<b>Directive/Réglementation</b>	<b>Description</b>
2006/42/CE	« relative aux machines »
2014/30/UE	« relative à la compatibilité électromagnétique »
2000/14/CE	« relative au bruit extérieur »

et que les normes et/ou les spécifications techniques suivantes sont appliquées :

EN ISO 12100:2010

EN 13862:2001+A1:2009

EN 55012:2008+A1:2009

EN ISO 14982:2009

2000/14/CE, procédure d'évaluation de la conformité :  
Annexe V.

Pour toute information relative aux émissions sonores,  
veuillez consulter le chapitre Données techniques

Partille, 2021-06-14



Martin Huber,

Directeur R&D, surfaces et sols en béton

Husqvarna AB, division Construction

Responsable de la documentation technique



---

## Inhoud

---

Inleiding.....	100	Probleemoplossing.....	121
Veiligheid.....	104	Vervoer, opslag en verwerking.....	124
Montage.....	110	Technische gegevens.....	127
Werking.....	110	Verklaring van overeenstemming.....	131
Onderhoud.....	114		

---

## Inleiding

---

### Productbeschrijving

Het product is een op benzine werkende vloerzaag voor beton.

### Gebruik

Dit product is uitsluitend bedoeld voor professioneel gebruik.

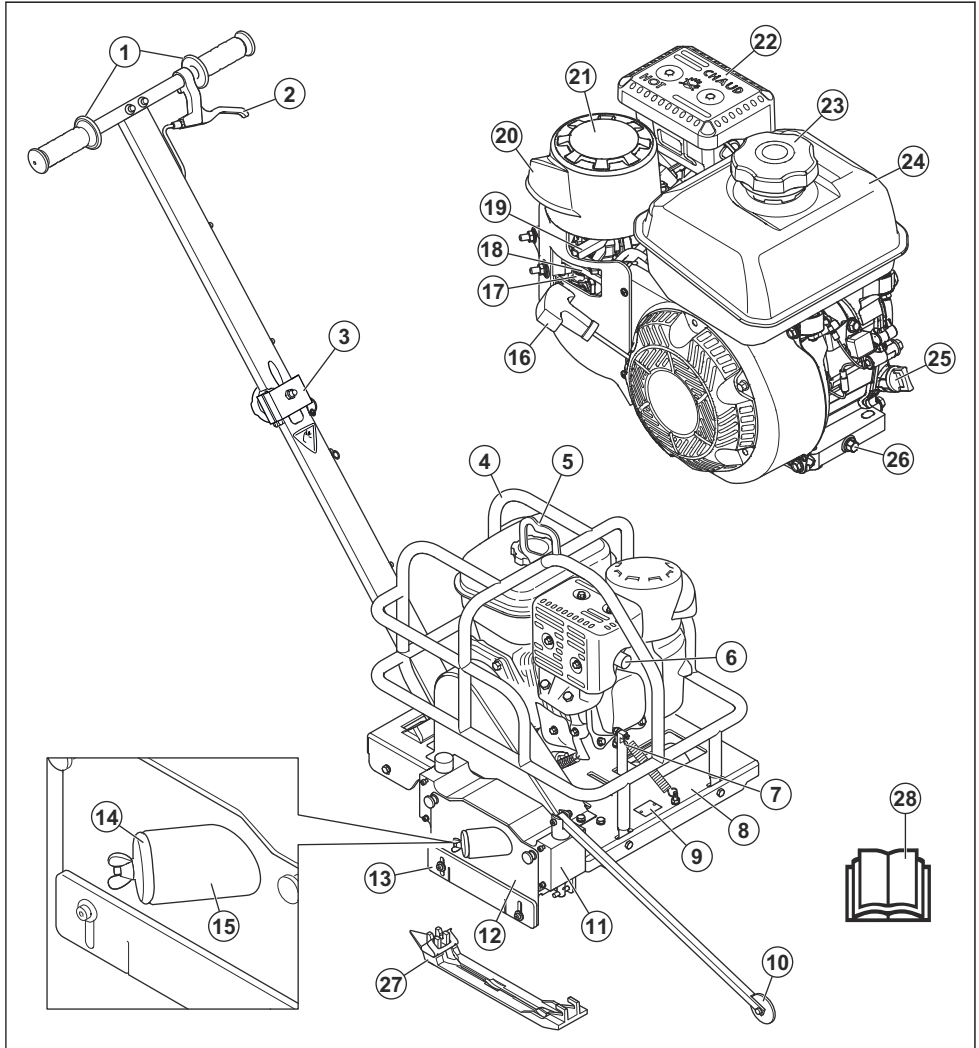
De Soff-Cut 150 wordt gebruikt voor het zagen van krimpverbindingen in de Ultra Early Stage van beton.

De Soff-Cut 150D wordt gebruikt na de eerste snede. Het wordt gebruikt op decoratieve snedes, opritten en parkeerplaatsen.

Dit product is uitsluitend bedoeld voor gebruik buiten.

Gebruik het product niet voor andere taken.

## Productoverzicht Soff-Cut 150

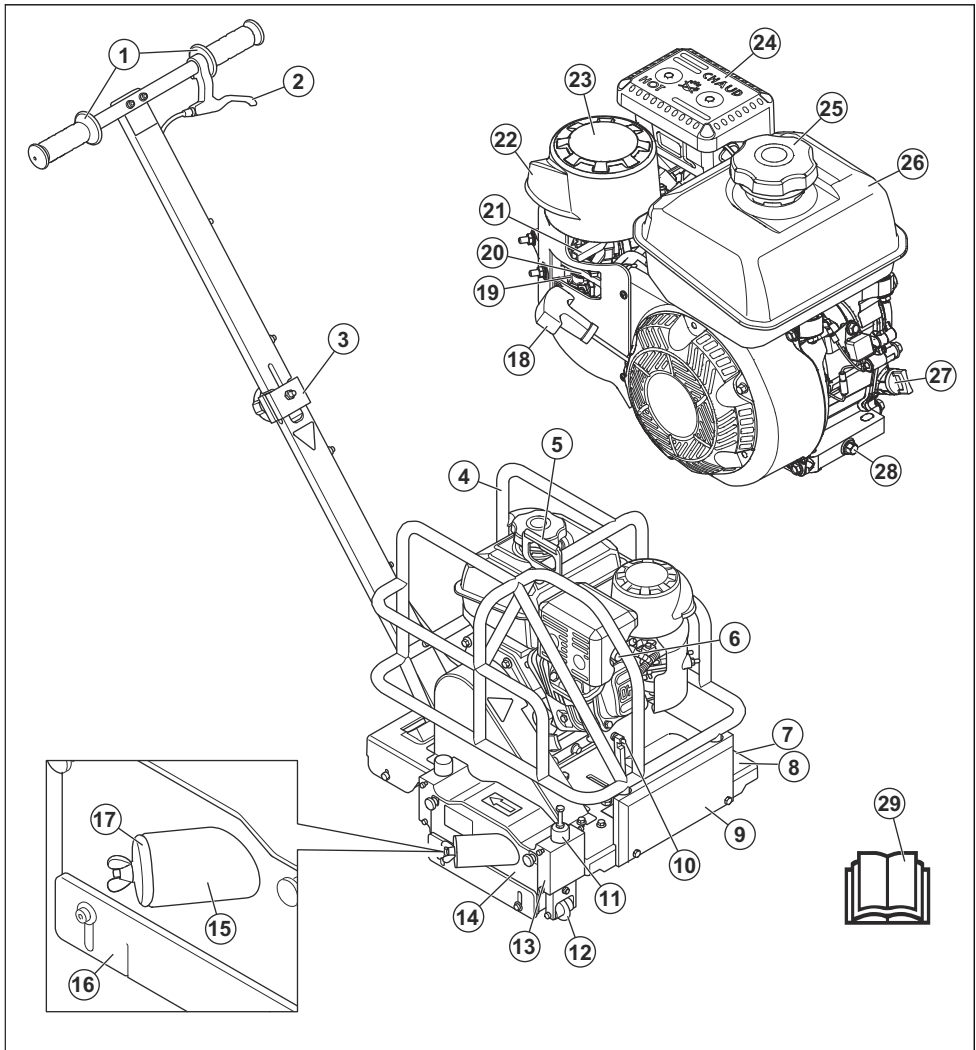


- |   |  |
|---|--|
| 1. Bedieningshandgrepen                   | 11. Bladblokkering                             |
| 2. Bladvrijgavehendel                     | 12. Kap voor bladblokkering                    |
| 3. Vergrendelingshendel voor de handgreep | 13. Lexan™ kap                                 |
| 4. Veiligheidsframe                       | 14. Plug voor de aansluiting van de stofzuiger |
| 5. Hijspunt                               | 15. Aansluiting voor stofzuiger                |
| 6. Uitlaat                                | 16. Startkoordgreep                            |
| 7. Instelbare dieptestop                  | 17. Brandstofklep en ON/OFF-schakelaar motor   |
| 8. Zaagframe                              | 18. Chokehendel                                |
| 9. Typeplaatje                            | 19. Gashendel                                  |
| 10. Voorste geleider                      | 20. LuchtfILTERinlaat                          |
|   | 21. LuchtfILTER                                |
|   | 22. Motor                                      |
|   | 23. Tank                                       |
|   | 24. Tankdeksel                                 |
|   | 25. Motor                                      |
|   | 26. Motor                                      |
|   | 27. Motor                                      |
|   | 28. Handleiding                                |

- 21. Luchtfilterdeksel
- 22. Afdekkap geluiddemper
- 23. Brandstoftankdop
- 24. Brandstoftank

- 25. Peilstok/olietank
- 26. Olieaftapplug
- 27. Glijplaat (niet inbegrepen)
- 28. Bedieningshandleiding

## Productoverzicht Soff-Cut 150D



- 1. Bedieningshandgrepen
- 2. Bladvrijgavehendel
- 3. Vergrendelingshendel voor de handgreep
- 4. Veiligheidsframe
- 5. Hijspunt
- 6. Uitlaat

- 7. Typeplaatje
- 8. Zaagframe
- 9. Contragewicht
- 10. Stelschroef voor steekzagen
- 11. Stelschroef voor dieptestop
- 12. Frontgeleidewiel

13. Bladblokkering
14. Kap voor bladblokkering
15. Aansluiting voor stofzuiger
16. Lexan™ kap
17. Plug voor de aansluiting van de stofzuiger
18. Startkoordgreep
19. Brandstofklep en ON/OFF-schakelaar motor
20. Chokehendel
21. Gashendel
22. Luchtfilterinlaat
23. Luchtfilterdeksel
24. Afdekkap geluiddemper
25. Brandstoftankdop
26. Brandstoftank
27. Peilstok/olietank
28. Olieaftapplug
29. Bedieningshandleiding

## Symbolen op het product



**WAARSCHUWING:** Wees voorzichtig en gebruik het product op de juiste manier. Dit product kan ernstig of fataal letsel toebrengen aan de gebruiker of anderen.



Lees de bedieningshandleiding goed door en zorg dat u de instructies hebt begrepen voordat u dit product gaat gebruiken.



Gebruik gehoorbescherming, oogbescherming en ademhalingsbescherming. Zie *Persoonlijke beschermingsuitrusting op pagina 106*.



Alle verplaatsingen van de machine buiten het zaaggebied dienen te geschieden met niet-roterend zaagblad.



Gevaar voor snijwonden. Houd alle lichaamsdelen uit de buurt van het zaagblad.



Het stof kan gezondheidsproblemen veroorzaken. Gebruik goedgekeurde ademhalingsbescherming. Adem geen uitlaatgassen in. Gebruik een product met verbrandingsmotor niet binnen of in ruimten met onvoldoende luchtstroom.



Risico op beknelling. Houd lichaamsdelen uit de buurt van bewegende delen.



Houd lichaamsdelen uit de buurt van het zaagblad en andere bewegende onderdelen.



De pijl op de bladbeschermkap geeft de draairichting van het zaagblad aan.



Schakel de motor uit en laat deze afkoelen alvorens te tanken.



Loodvrije benzine met maximaal 10% ethanol.



Explosieve brandstof kan brand en ernstige brandwonden veroorzaken.



Schakel de motor altijd uit voordat u de brandstoftank vult. Houd 16 mm (5/8 inch) aan de bovenkant van de brandstoftank vrij voor het uitzetten. Lees de bedieningshandleiding en de handleiding van de Kohler-motor.



Hete geluiddemper, niet aanraken



AAN



UIT



Vul voldoende motorolie bij.



Lees en begrijp de bedieningshandleiding voor de stofzuiger.



Om het product op te tillen, bevestigt u hijsapparatuur aan het hijspunt van het product.



Laat de hendel los om het blad door de zwaartekracht omlaag te brengen. Om schade aan het blad te voorkomen, houdt u het product stevig vast en laat u het blad voorzichtig zakken.



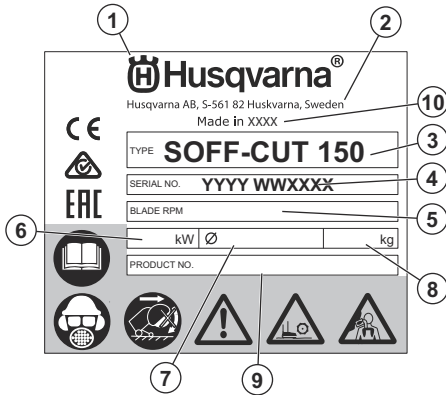
Dit product voldoet aan de geldende EU-richtlijnen.



De geluidsemissie is in overeenstemming met geldende EU-richtlijnen. De geluidsemissie van het product is vermeld in *Technische gegevens op pagina 127* en op het etiket.

**Let op:** Andere symbolen/stickers op het product hebben betrekking op certificeringseisen voor overige commerciële markten.

## Typeplaatje



1. Fabrikant
2. Adres fabrikant
3. Model
4. Serienummer: jaar en week van productie en volgnummer
5. Toerental blad
6. Motorvermogen
7. Maximale zaagbladafmeting
8. Gewicht van het product
9. Productnummer
10. Land van productie

## Productaansprakelijkheid

Zoals uiteengezet in de wet voor productaansprakelijkheid zijn wij niet aansprakelijk voor schade die door ons product wordt veroorzaakt, indien:

- het product niet goed is gerepareerd.
- het product is gerepareerd met onderdelen die niet van de fabrikant afkomstig zijn, of onderdelen die niet zijn goedgekeurd door de fabrikant.
- het product een accessoire bevat dat niet afkomstig is van de fabrikant of niet is goedgekeurd door de fabrikant.
- het product niet is gerepareerd door een erkend servicepunt of door een erkende autoriteit.

## Veiligheid

### Veiligheidsdefinities

Waarschuwingen, voorzorgsmaatregelen en opmerkingen worden gebruikt om te wijzen op belangrijke delen van de handleiding.



**WAARSCHUWING:** Wordt gebruikt om te wijzen op de kans op ernstig of fataal letsel voor de gebruiker of omstanders wanneer de instructies in de handleiding niet worden gevolgd.



**OPGELET:** Wordt gebruikt indien er een risico bestaat op schade aan het product en andere eigendommen of aan de omgeving wanneer de instructies in de handleiding niet worden gevolgd.

**Let op:** Geven verdere informatie die nodig is in een bepaalde situatie.

### Algemene veiligheidsinstructies



**WAARSCHUWING:** Lees de volgende waarschuwingen voordat u het product gaat gebruiken.

- Dit product kan bij onvoorzichtig of onjuist gebruik een gevaarlijk gereedschap zijn. Dit product kan ernstig of fataal letsel toebrengen aan de gebruiker of anderen. Het is erg belangrijk dat u deze gebruiksaanwijzing leest en begrijpt voordat u dit product gaat gebruiken.
- Bewaar alle waarschuwingen en instructies.
- U dient alle toepasselijke wet- en regelgeving in acht te nemen.
- De gebruiker en de werkgever van de gebruiker dienen op te hoogte te zijn van de risico's tijdens het gebruik van het product en moeten deze voorkomen.
- Zorg ervoor dat dit product alleen wordt gebruikt door personen die de inhoud van de gebruikershandleiding hebben gelezen en begrepen.
- Gebruik het product alleen als u voorafgaand aan gebruik training hebt ontvangen. Zorg ervoor dat alle gebruikers getraind worden.
- Laat het product niet door een kind bedienen.



- Het product mag alleen worden gebruikt door goedgekeurde personen.
- De gebruiker is verantwoordelijk indien ongelukken gebeuren met andere mensen of hun eigendommen.
- Gebruik het product nooit als u moe of ziek bent, of onder invloed van alcohol, drugs of medicijnen verkeert.
- Wees altijd voorzichtig en gebruik uw gezond verstand.
- Dit product produceert tijdens bedrijf een elektromagnetisch veld. Dit veld kan onder bepaalde omstandigheden de werking van actieve of passieve medische implantaten verstoren. Om het risico op ernstig of fataal letsel te verminderen, raden we personen met een medisch implantaat aan om contact op te nemen met hun arts en de fabrikant van het medische implantaat voordat ze dit product gebruiken.
- Houd het product schoon. Zorg ervoor dat u de aanduidingen en stickers duidelijk kunt lezen.
- Gebruik het product niet als het defect is.
- Breng geen wijzigingen aan dit product aan.
- Gebruik het product niet als de mogelijkheid bestaat dat andere personen wijzigingen aan het product hebben aangebracht.

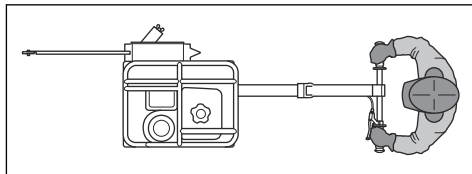
## Veiligheidsinstructies voor bediening



**WAARSCHUWING:** Lees de volgende waarschuwingen voordat u het product gaat gebruiken.

- Lees de waarschuwingen die zijn meegeleverd bij het zaagblad door de fabrikant van het zaagblad.
- Controleer of het product correct is gemonteerd.
- Gebruik het product niet als de bladbeschermkap en de beschermkappen niet zijn gemonteerd.
- Onjuist gebruik van het product kan ertoe leiden dat het zaagblad breekt en letsel of schade veroorzaakt.
- Zorg ervoor dat u weet hoe u de motor in een noodsituatie snel kunt stoppen.
- Maak altijd gebruik van persoonlijke beschermingsmiddelen. Zie *Persoonlijke beschermingsuitrusting op pagina 106*.
- Houd afstand tot het zaagblad wanneer de motor draait. Probeer een draaiend zaagblad niet te stoppen met een van uw lichaamsdelen. Het aanraken van een draaiend zaagblad kan, hoewel de motor is uitgeschakeld, leiden tot ernstig of dodelijk letsel.
- Zorg ervoor dat er alleen goedgekeurde personen in het werkgebied zijn.
- Zorg ervoor dat er geen elektrische kabels onder spanning staan in het werkgebied.
- Zorg dat het werkgebied schoon en goed verlicht is.

- Bedien het product alleen van achter af, met beide handen op het stuur



- Zorg ervoor dat u stabiel en veilig staat tijdens het gebruik.
- Voordat u het product achterlaat, moet u de motor stoppen en controleren of er geen risico bestaat dat de motor per ongeluk wordt gestart.
- Het product heeft geen parkeerrem. Blijf in de buurt van het product wanneer het op een helling staat. Als het nodig is om het product op een helling te parkeren, zorg er dan voor dat het product adequaat is bevestigd en niet kan bewegen.
- Wees extra voorzichtig bij het werken op hellingen. Dit product is zwaar en kan ernstig letsel veroorzaken als het valt.
- Verzeker u ervan dat er geen materiaal los kan raken en letsel kan veroorzaken bij de gebruiker.
- Zorg ervoor dat er geen kleding, lang haar en juwelen vast komen te zitten in bewegende delen.
- Ga niet op het product zitten of staan.
- Blijf uit de buurt van de baan van het blad terwijl de motor is ingeschakeld.
- Gebruik het product alleen als u weet dat u hulp kunt krijgen indien zich een ongeval voordoet.
- Gebruik het product nooit voor het vervoeren van personeel of apparatuur.
- Plaats uw voeten niet op het product.
- Zorg ervoor dat het blad de grond of een ander oppervlak niet raakt wanneer het product wordt verplaatst.
- Gebruik het product niet met te zware belasting. Overbelasting kan schade aan het product veroorzaken.

## Veiligheid van het werkgebied



**WAARSCHUWING:** Lees de volgende waarschuwingen voordat u het product gaat gebruiken.

- Het product kan objecten met hoge snelheid uitwerpen. Zorg ervoor dat alle personen in de werkomgeving gebruikmaken van goedgekeurde persoonlijke beschermingsmiddelen. Zie *Persoonlijke beschermingsuitrusting op pagina 106*. Verwijder losse voorwerpen uit het werkgebied.
- Zorg ervoor dat er geen dieren en omstanders binnen het werkterrein zijn.
- Gebruik het product pas als het werkgebied vrij is en uw voeten en lichaam zich in een stabiele positie bevinden.

- Kijk uit voor personen, objecten en situaties die een veilig gebruik van het product kunnen verhinderen.
- Zorg ervoor dat mensen of voorwerpen niet met de doorslijpmachine in contact kunnen komen, of geraakt kunnen worden door delen die door de schijf worden gelanceerd.
- Gebruik het product niet bij mist, regen, harde wind, koud weer, risico op blikseminslag of andere slechte weersomstandigheden. Het gebruik van het product bij slecht weer kan uw alertheid negatief beïnvloeden. Slecht weer kan leiden tot gevaarlijke werksituaties zoals gladde ondergronden.
- Zorg er tijdens het gebruik van het product voor dat er geen materiaal los kan raken of kan vallen en letsel kan veroorzaken bij de gebruiker.
- Wees voorzichtig wanneer u het product op een helling bedient.
- Zorg dat het werkgebied schoon en goed verlicht is.
- Voordat u het product gebruikt, dient u te controleren of er verborgen gevaren zijn, zoals elektrische kabels, water- en gasleidingen en brandbare stoffen in het werkgebied. Als het product een niet-zichtbaar object raakt, stop dan de motor onmiddellijk en onderzoek het product en het voorwerp. Gebruik het product pas weer als u zeker weet dat het veilig is om door te gaan.
- Voordat u in een drum, pijp of andere container snijdt, moet u controleren of deze geen brandbaar of ander materiaal bevat dat brand of explosie kan veroorzaken.
- Gebruik het product niet in gebieden waar brand of explosies kunnen optreden.

## Brandblusser

- Zorg dat er een brandblusser in de buurt is tijdens het gebruik van dit product.
- Gebruik een poederblusser van de klasse "ABE" of een kooldioxidebrandblusser van het type "BE".

## Veiligheidsvoorzieningen op het product

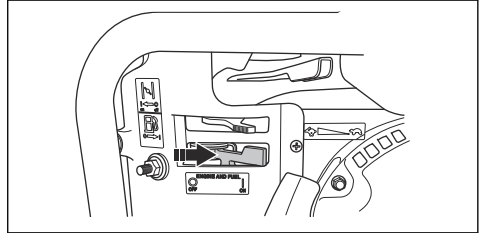


**WAARSCHUWING:** Lees de volgende waarschuwingen voordat u het product gaat gebruiken.

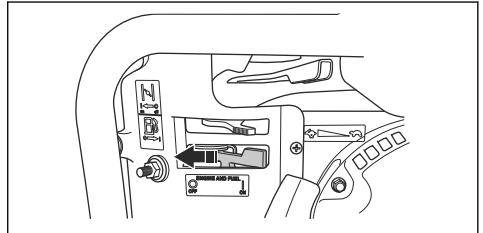
- Gebruik het product nooit wanneer de veiligheidsvoorzieningen defect zijn. Controleer de veiligheidsvoorzieningen regelmatig op een juiste werking. Als de veiligheidsvoorzieningen defect zijn, neem dan contact op met uw Husqvarna servicewerkplaats.
- Voer geen veranderingen uit aan de veiligheidsvoorzieningen. U mag het product niet gebruiken als beschermingsplaten, afschermingen, veiligheidsschakelaars of andere veiligheidsvoorzieningen ontbreken of defect zijn.

## De AAN/UIT-schakelaar controleren

- Controleer of de motor start en het blad begint te draaien wanneer u de schakelaar in de AAN-stand zet.



- Controleer of de motor onmiddellijk stopt wanneer u de schakelaar in de UIT-stand zet.



## Persoonlijke beschermingsuitrusting

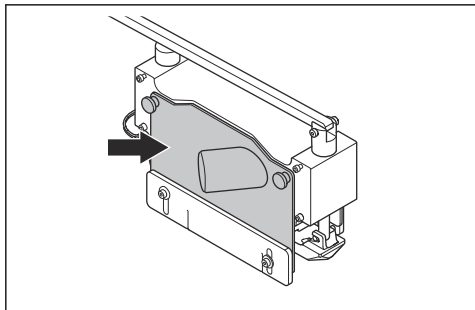


**WAARSCHUWING:** Lees de volgende waarschuwingen voordat u het product gaat gebruiken.

- Draag tijdens het gebruik van het product altijd goedgekeurde persoonlijke beschermingsuitrusting. Persoonlijke beschermingsuitrusting kunnen niet alle risico's uitsluiten maar kunnen de ernst van eventueel letsel helpen beperken. Vraag uw dealer u te helpen bij het kiezen van de juiste beschermingsuitrusting.
- Controleer regelmatig de toestand van uw persoonlijke beschermingsmiddelen.
- Draag een goedgekeurde veiligheidshelm.
- Gebruik goedgekeurde gehoorbescherming.
- Gebruik goedgekeurde ademhalingsbescherming.
- Gebruik goedgekeurde oogbescherming met zijbescherming. Er bestaat een groot risico op oogletsel door wegslingerende voorwerpen.
- Draag veiligheidshandschoenen.
- Gebruik laarzen met stalen neus en antislipzool.
- Gebruik goedgekeurde werkkleding of gelijkwaardige nauwsluitende kleding met lange mouwen en lange broekspijpen.

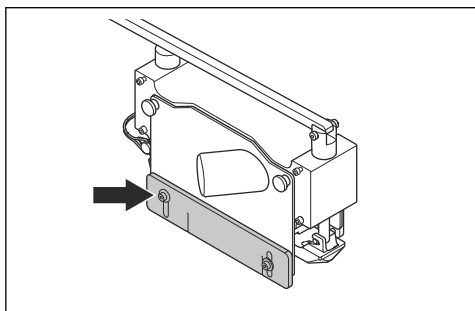
### Beschermkap bladblokkering

De beschermkap van de bladblokkering biedt bescherming tegen het roterende blad en houdt stof uit de buurt van de gebruiker.



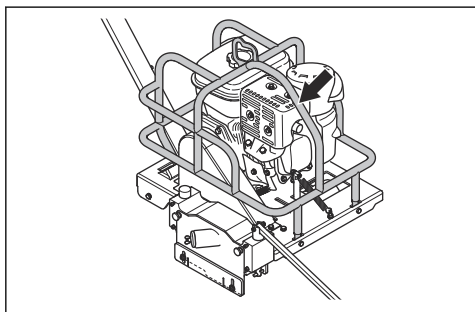
### Lexan™ kap

De Lexan™ kap houdt stof uit de buurt van de bestuurder. Hij voorkomt ook dat er deeltjes worden uitgestoten. Zorg ervoor dat de Lexan™ kap vrij op en neer kan bewegen.



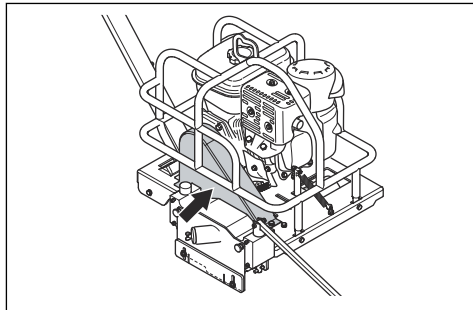
### Veiligheidsframe

Het veiligheidsframe voorkomt schade aan de apparatuur en de motor, en voorkomt dat de gebruiker letsel oploopt.



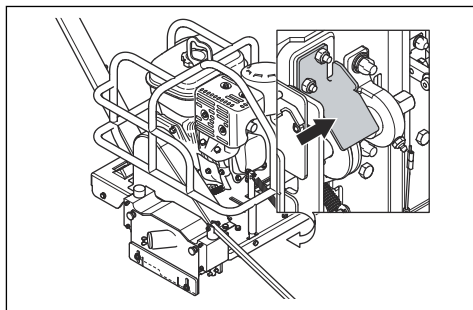
### Riemscherming

De riemscherming biedt bescherming tegen de schijf van de bladas en de riem.



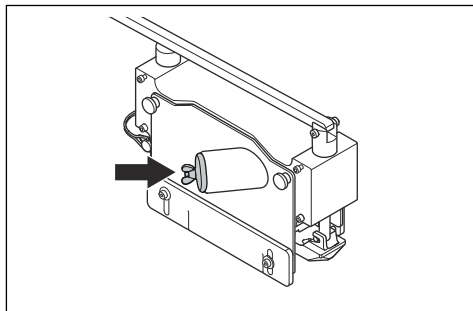
### Schijfbescherming

De riemscherming biedt bescherming tegen de schijf van de bladas.



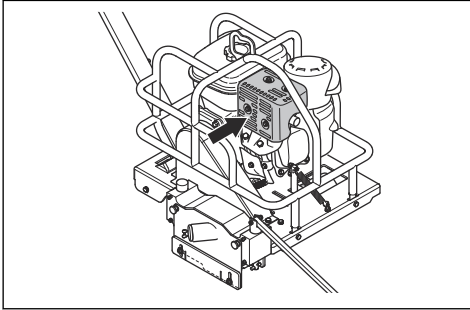
### Plug op aansluiting voor stofzuiger

Gebruik altijd de stekker als het product niet op een stofzuiger is aangesloten.



## Beschermkap geluiddemper

De beschermkap van de geluiddemper voorkomt brandwonden als gevolg van de hete demper



## De beschermkappen inspecteren

1. Onderzoek de bladblokkering en de beschermkap van de bladblokkering, de Lexan™ kap, de schijfbescherming, het veiligheidsframe, de riemafscherming en de plug op beschadiging.
2. Vervang de beschermkappen wanneer ze beschadigd zijn.
3. Zorg ervoor dat de beschermkappen correct zijn aangebracht voordat u het product inschakelt.

## Brandstofveiligheid



**WAARSCHUWING:** Lees de volgende waarschuwingen voordat u het product gaat gebruiken.

- Brandstof is brandbaar en de dampen zijn explosief. Wees voorzichtig met brandstof om letsel, brand en explosies te voorkomen.
- Adem geen brandstofdampen in. De brandstofdampen zijn giftig en kunnen letsel veroorzaken. Zorg voor voldoende ventilatie.
- Verwijder de brandstoftankdop niet en vul de tank niet bij wanneer de motor draait.
- Laat de motor afkoelen voordat u brandstof bijvult.
- Vul binnenshuis geen brandstof bij. Onvoldoende ventilatie kan leiden tot ernstig letsel of de dood door verstikking of het inademen van koolmonoxide.
- Rook niet in de buurt van de brandstof of de motor.
- Plaats geen warme voorwerpen in de buurt van de brandstof of de motor.
- Vul geen brandstof bij in de nabijheid van vonken of open vuur.
- Draai de tankdop langzaam open en laat de druk voorzichtig ontsnappen voordat u brandstof bijvult.
- Brandstof op uw huid kan letsel veroorzaken. Als er brandstof op uw huid terecht komt, verwijder deze dan met water en zeep.
- Als u brandstof op uw kleding morst, trek dan direct andere kleding aan.

- Vul de brandstoftank niet volledig. Door hitte zet de brandstof uit. Zorg ervoor dat er ruimte overblijft aan de bovenkant van de brandstoftank.
- Draai de tankdop volledig aan. Als de tankdop niet volledig is aangedraaid, bestaat een risico op brand.
- Voordat u het product start, moet u het product verplaatsen naar een afstand van minimaal 3 m vanaf het punt waar u hebt getankt.
- Start het product niet als er brandstof of motorolie op het product aanwezig is. Verwijder de ongewenste brandstof en motorolie en laat het product drogen voordat u de motor start.
- Controleer de motor regelmatig op lekkage. Bij lekkage in het brandstofsysteem mag u de motor niet starten zolang de lekken niet gerepareerd zijn.
- Gebruik uw vingers niet om de motor op lekkage te controleren.
- Bewaar brandstof in goedgekeurde containers.
- Wanneer het product en de brandstof worden opgeslagen, moet u ervoor zorgen dat brandstof en brandstofdampen geen schade kunnen veroorzaken.
- Tap brandstof af in een daarvoor goedgekeurde container, en doe dat buiten en niet in de nabijheid van vonken en open vuur.

## Veiligheidsaanwijzingen in verband met uitlaatgassen



**WAARSCHUWING:** Lees de volgende waarschuwingen voordat u het product gaat gebruiken.

- Uitlaatgassen van de motor bevatten koolmonoxide, een geurloos, giftig en uiterst gevaarlijk gas. Het inademen van koolmonoxide kan de dood tot gevolg hebben. Omdat koolmonoxide geurloos en niet zichtbaar is, is het niet mogelijk om het waar te nemen. Een symptoom van koolmonoxidevergiftiging is duizeligheid, maar het is mogelijk dat een persoon onverwacht bewusteloos raakt als de hoeveelheid of concentratie koolmonoxide voldoende is.
- Uitlaatgassen bevatten ook onverbrande koolwaterstoffen, waaronder benzeen. Langdurig inademen hiervan kan gezondheidsproblemen veroorzaken.
- Uitlaatgassen die u kunt zien of ruiken, bevatten ook koolmonoxide.
- Gebruik een product met verbrandingsmotor niet binnen of in ruimten met onvoldoende luchtstroom.
- Adem geen uitlaatgassen in.
- Zorg ervoor dat er toereikende ventilatie in het werkgebied is. Dit is zeer belangrijk wanneer u het product gebruikt in greppels of andere kleine werkgebieden waar uitlaatgassen zich gemakkelijk kunnen verzamelen.

## Trillingsveiligheid



**WAARSCHUWING:** Lees de volgende waarschuwingen voordat u het product gaat gebruiken.

- Tijdens het gebruik van het product gaan trillingen van het product naar de gebruiker. Regelmatig en frequent gebruik van het product kan letsel bij de gebruiker veroorzaken of verergeren. Letsel kan optreden in vingers, handen, polsen, armen, schouders en/of zenuwen en bloedtoevoer of andere lichaamsdelen. Het letsel kan slepend en/of blijvend zijn, en het kan geleidelijk toenemen in de loop van weken, maanden of jaren. Het letsel kan bestaan uit schade aan het bloedsomloopstelsel, het zenuwstelsel, de gewrichten en andere lichaamsstructuren.
- Symptomen kunnen zich voordoen tijdens het gebruik van het product of op andere momenten. Als u symptomen hebt en het product blijft gebruiken, kunnen de symptomen toenemen of permanent worden. Als deze of andere symptomen zich voordoen, neem dan medische hulp:
  - Verstijving, gevoelloosheid, tintelingen, prikken, pijn, een brandend gevoel, kloppen, stijfheid, onhandigheid, krachtverlies, veranderingen in huidskleur of conditie.
- Symptomen kunnen toenemen bij lage temperaturen. Gebruik warme kleding en houd uw handen warm en droog wanneer u het product in koude omgevingen gebruikt.
- Voer onderhoud uit aan en bedien het product zoals vermeld in de gebruikershandleiding, om een correct trillingsniveau te handhaven.
- Het product heeft een trillingsdempingsstelsel dat de trillingen van de handgrepen naar de gebruiker vermindert. Laat het product het werk doen. Duw het product niet met kracht vooruit. Houd het product lichtjes vast aan de handgrepen, maar zorg ervoor dat u het product onder controle hebt en het veilig bedient. Duw de handgrepen niet verder dan nodig tegen de eindaanslagen.
- Houd uw handen alleen op het handvat of de handgrepen. Houd alle andere lichaamsdelen uit de buurt van het product.
- Stop het product onmiddellijk als er plotseling sterke trillingen optreden. Ga niet verder met het gebruik tot de oorzaak van de toegenomen trillingen is weggenomen.

## Bescherming tegen stof



**WAARSCHUWING:** Lees de volgende waarschuwingen voordat u het product gaat gebruiken.

- Gebruik van het product kan stof in de lucht veroorzaken. Stof kan ernstig letsel en permanente gezondheidsproblemen veroorzaken. Silicastaof wordt

door verschillende instanties als schadelijk beschouwd. Hieronder volgen enkele voorbeelden van dergelijke gezondheidsproblemen:

- De fatale longaandoeningen chronische bronchitis, silicose en longfibrose
- Kanker
- Geboortefwijkingen
- Huidontsteking
- Gebruik de juiste apparatuur om de hoeveelheid stof en dampen in de lucht te verminderen en om stof op werkkleding, oppervlakken, kleding en lichaamsdelen te verminderen. Voorbeelden van beschermende elementen zijn stofopvangsystemen en watersprays om het stof te binden. Verminder waar mogelijk stof bij de bron. Zorg ervoor dat de apparatuur correct wordt geïnstalleerd en gebruikt en dat er regelmatig onderhoud wordt uitgevoerd.
- Gebruik goedgekeurde ademhalingsbescherming. Zorg ervoor dat adembescherming wordt gebruikt bij gevaarlijke materialen in het werkgebied.
- Zorg ervoor dat er toereikende ventilatie in het werkgebied is.
- Richt indien mogelijk de uitlaat van het product op een plaats waar er geen stof in de lucht kan komen.

## Geluidsveiligheid



**WAARSCHUWING:** Lees de volgende waarschuwingen voordat u het product gaat gebruiken.

- Hoge geluidsniveaus en langdurige blootstelling aan lawaai kunnen gehoorverlies veroorzaken.
- Om het geluidsniveau tot een minimum te beperken, moet u het product onderhouden en bedienen zoals beschreven in de gebruikershandleiding.
- Controleer de geluiddemper op beschadigingen en defecten. Zorg ervoor dat de geluiddemper correct aan het product is bevestigd.
- Gebruik goedgekeurde gehoorbescherming wanneer u het product gebruikt.
- Let op alarmsignalen en luide stemmen wanneer u gehoorbescherming gebruikt. Verwijder de gehoorbescherming wanneer het product is gestopt, tenzij gehoorbescherming nodig is voor het geluidsniveau in de werkomgeving.

## Veiligheidsinstructies voor onderhoud



**WAARSCHUWING:** Lees de volgende waarschuwingen voordat u het product gaat gebruiken.

- Maak altijd gebruik van persoonlijke beschermingsmiddelen. Zie *Persoonlijke beschermingsuitrusting op pagina 106*.
- Als het onderhoud niet correct en regelmatig wordt uitgevoerd, neemt de kans op letsel of schade aan het product toe.

- Zet de motor uit en laat het product afkoelen voordat u onderhoudswerkzaamheden uitvoert.
- Maak het product schoon om gevaarlijk materiaal te verwijderen voordat u het onderhoud uitvoert.
- Koppel de bougiekap los voordat u onderhoud uitvoert.
- De uitlaatdampen van de motor zijn heet en kunnen vonken bevatten. Gebruik het product niet in binnenruimtes of in de buurt van brandbaar materiaal.
- Breng geen wijzigingen aan het product aan. Wijzigingen aan het product die niet zijn goedgekeurd door de fabrikant, kunnen leiden tot ernstig letsel of overlijden.
- Gebruik altijd originele accessoires en reserveonderdelen. Accessoires en wijzigingen die

- niet zijn goedgekeurd door de fabrikant, kunnen leiden tot ernstig letsel of overlijden.
- Vervang beschadigde, versleten of defecte onderdelen.
- Voer alleen onderhoud uit zoals beschreven in deze bedieningshandleiding. Laat een goedgekeurde servicewerkplaats alle andere onderhoudswerkzaamheden uitvoeren.
- Verwijder al het gereedschap van het product voordat u de motor na onderhoud start. Losse gereedschappen of gereedschappen die aan draaiende onderdelen zijn bevestigd, kunnen uitgeworpen worden en letsel veroorzaken.
- Laat een erkende servicewerkplaats regelmatig onderhoud aan het product uitvoeren.

---

## Montage

---

### Inleiding



**WAARSCHUWING:** Voordat u het product gaat monteren, dient u het hoofdstuk over veiligheid te lezen en hebben begrepen.



**WAARSCHUWING:** Verwijder de bougiekabel van de bougie voordat u het product monteert.

### Monteren van het zaagblad en de glijplaat

1. Het zaagblad monteren. Zie *Een zaagblad monteren op pagina 117*.
2. De glijplaat monteren. Zie *Een zaagblad monteren op pagina 117*.

---

## Werking

---

### Inleiding



**WAARSCHUWING:** Voordat u het product gaat gebruiken, dient u het hoofdstuk over veiligheid te lezen en hebben begrepen.

### Basistechniek

#### Krimpvoegen en voegenafstand

Wanneer beton uitdroogt of uithardt en hard begint te worden, treden interne krimpspanningen op waardoor willekeurige barsten kunnen ontstaan.

Willekeurige barsten roepen vragen op over de kwaliteit en de vakkundige bereiding van het beton. Om dergelijke krimpspanningen op te heffen voordat ze zelf een uitweg zoeken door het vormen van willekeurige barsten, worden krimpvoegen in het beton gezaagd.

Het Soff-Cut Ultra Early Entry-systeem beperkt de vorming van willekeurige barsten door op vooraf bepaalde locaties in een vroeg stadium een zaagsnede te maken om zo zwakkere vlakken in het beton te creëren, waarbij het beton onder de zaagsnede zal scheuren om de krimpspanning op te heffen.

De gezaagde krimpvoegen moeten minimaal 1/4 van de betondiepte zijn en minimaal 25 mm (1 inch) diep.

Zaag krimpvoegen wanneer het beton het gewicht van het product en de gebruiker kan dragen. Zorg ervoor dat het product geen sporen achterlaat of schade aan het beton veroorzaakt.

Er zijn veel mogelijkheden om een voegenlay-out te maken. Er moet van tevoren een voegenlay-out beschikbaar zijn. De aannemer voor de doorslijpwerkzaamheden moet een uitgebreide voegenlay-out ter goedkeuring voorleggen voordat wordt begonnen met zagen.

Er zijn vele omstandigheden die van invloed zijn op de voegenafstand.

- Betondikte.
- Type, hoeveelheid en locatie van wapening.
- Krimpgevoeligheid van betoncement (type, hoeveelheid), aggregaat (omvang, hoeveelheid, kwaliteit), water-cementverhouding, hulpstoffen, temperatuur van het beton.
- Basiswrijving.
- Betonplaatverbindingen.
- Lay-out van funderingen, roosters, putten, machineplaten, sleuven enz.
- Omgevingsfactoren - temperatuur, wind, vochtigheid.
- Methoden en kwaliteit van betonuitharding.

Over het algemeen geldt dat betonplaten door middel van het krimpvoegenpatroon moeten worden opgedeeld in min of meer vierkante vlakken met de aangegeven aanbevolen tussenaafstand.

Betondikte, mm (in)	Maximale afstand, m (ft)
90 (3,5)	2,4 (8)
100, 114 (4, 4,5)	3,0 (10)
125, 140 (5, 5,5)	3,6 (12)
150 (6) of hoger	4,5 (15)

Plaats bij alle doorsneden dwarsdoorsneden voegbeschermers van Husqvarna bij elke voeg om schade aan de voeg te voorkomen. Breng een extra naadbeschermer aan op de plaats waar het rechterwiel over de voeg heen zal gaan, om schade aan het beton te voorkomen.

### Het Soff-Cut-systeem optimaliseren

"De timing van betonbewerkingen - vooral het afwerken en voegen - is essentieel ... Als u dit niet in acht neemt, kan dit leiden tot ongewenste eigenschappen in het draagoppervlak zoals barsten ..." (Passage uit het voorwoord van het Amerikaanse Concrete Institute (ACI) 302.1 R-96.)

Het Soff-Cut Ultra Early Entry-systeem heeft een revolutie teweeggebracht ten aanzien van de gebruikte methode om willekeurige barsten onder controle te houden.

Om ervoor te zorgen dat de operator zijn werk correct kan uitvoeren met het Soff-Cut-systeem, moet er aan de volgende criteria worden voldaan:

- Een Soff-Cut Ultra Early Entry-zaag voor droogzagen in tegenloop.
- Een Husqvarna Soff-Cut-diamantzaagblad voor droogzagen.
- Installatie van een nieuwe Husqvarna-antiverbrokkelingsglijplaat bij elk nieuwe diamantzaagblad.
- Een gebruiker die ervaring heeft met het gebruik van het Soff-Cut Ultra Early Entry-systeem.

Zonder deze elementen kunnen geen scherpe voegen worden gezaagd om willekeurige barsten tijdig onder controle te houden, terwijl dat is waar de bouw eigenaar voor betaalt.

De ACI Spec 302.1R-96 zegt het het beste:

"Early Entry-droogzagen maken gebruik van met diamant geïmpregneerde bladen en een glijplaat die versplinteren helpt voorkomen. Een tijdige vervanging van glijplaten is noodzakelijk om versplintering effectief tegen te gaan. Het is het beste om glijplaten te vervangen overeenkomstig de aanbevelingen van de fabrikant ... Het doel van het doorslijpen is om een zwakker vlak te creëren nadat de voeg kan worden gezaagd ... De timing van het Early Entry-proces maakt

het mogelijk om de voegen aan te brengen voordat zich aanzienlijke trekspanningen in het beton ontwikkelen ..."

In het technisch bulletin, Concrete Floors on the ground, van de Portland Cement Association (PCA) staat ook:

"Goed voegen kan lelijke, willekeurige barsten voorkomen. Factoren die bij het aanbrengen van voegen leiden tot een goed eindresultaat zijn het kiezen van het juiste type voeg voor elke locatie, het aanbrengen van een goed voegenpatroon en een goede voegenlay-out, en het aanbrengen van de voeg op het juiste moment ... De timing voor het zagen van voegen is cruciaal ... Er zijn lichtgewicht snelle Early Cut-zagen ontwikkeld waarmee het zagen van voegen heel snel na het afwerken van de vloer kan worden uitgevoerd, soms al tussen 0 en 2 uur ... als de voeg wordt gezaagd binnen enkele uren na de laatste afwerking kunnen willekeurige barsten onder controle worden gehouden ..."

Husqvarna heeft het enige Ultra Early Entry-droogzaagsysteem (Soff-Cut) waarmee willekeurige barsten kunnen worden beperkt door de vroege timing van de zaagsnede. Met de Soff-Cut-methode kunnen controlevoegen meestal binnen 2 uur na het afwerkingsproces worden gezaagd.

Het zagen van de voegen moet beginnen nadat het beton het gewicht van de zaag en de gebruiker bij elke voeglocatie kan dragen en voordat het beton volledig is uitgehard.

Als de voegen niet binnen dit tijdsbestek worden gesneden, wordt de Soff-Cut Ultra Early Entry-methode niet gevolgd.

### Voordat u het product gaat bedienen

1. Voer dagelijks onderhoud uit. Zie *Onderhoudsschema op pagina 114.*
2. Zorg ervoor dat de hendel volledig rechtop staat en dat de borgpen is geïnstalleerd.
3. Controleer of de voorste geleider in de voorste stand staat.
4. Vul de olietank bij. Raadpleeg *Technische gegevens op pagina 127* voor informatie over de aanbevolen motorolie.
5. Controleer het oliepeil. Zie *Oliepeil controleren op pagina 120.*

### Brandstof bijvullen



**WAARSCHUWING:** Vul geen containers wanneer u zich in een voertuig bevindt. Risico op brand. Zet de bak op de grond uit de buurt van uw voertuig.



**OPGELET:** Gebruik geen benzine met een octaangetal lager dan 90 RON (87 AKI). Dit kan schade aan het product veroorzaken.



**OPGELET:** Gebruik loodvrije benzine. Gebruik geen loodvrije benzine die meer dan 10% ethanol bevat. Benzine met meer dan 10% ethanol kan brandgevaar veroorzaken en ook tot start- en prestatieproblemen leiden. Hij kan ook schade aan metalen, rubberen en plastic onderdelen van het brandstofsysteem veroorzaken.



**OPGELET:** Gebruik geen benzine die methanol bevat.



**OPGELET:** Bewaar brandstof niet langer dan 30 dagen in een container. Te oude brandstof kan schade aan het product veroorzaken.

1. Verwijder het product van het transportvoertuig en plaats het op de grond. Als dit niet mogelijk is, moet u het product met brandstof bijvullen met behulp van een draagbare jerrycan en niet met een benzinepistool.

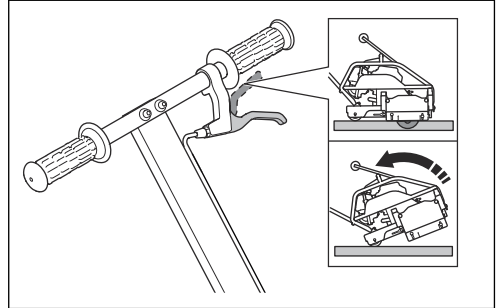


**WAARSCHUWING:** Gebruik uitsluitend goedgekeurde benzinejerrycans

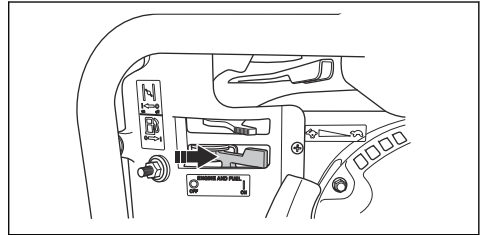
2. Draai de brandstoftankdop langzaam los om de druk te laten ontsnappen.
3. Zorg ervoor dat het mondstuk de bovenrand van de opening van de brandstoftank raakt tot de brandstoftank vol is. Gebruik geen automatische sluitklep.
4. Maak het gebied rondom de brandstoftankdop goed schoon.
5. Draai de brandstoftankdop volledig aan. Als de tankdop niet volledig is aangedraaid, bestaat een risico op brand.
6. Verplaats het product minstens 3 m (10 ft) van de plaats waar u de brandstoftank hebt gevuld, voordat u het product start.

## De motor starten

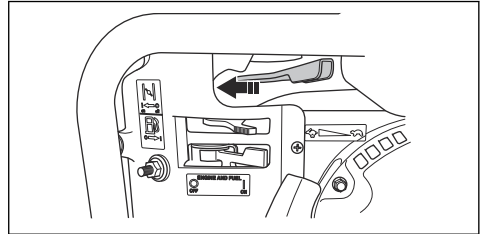
1. Trek aan de vrijgavehendel en houd deze vast wanneer u het product kantelt. Duw het stuur omlaag om het product in de kantelstand te zetten.



2. Laat de hendel los om het product in zijn positie te vergrendelen.
3. Zet de schakelaar ON/OFF van de motor op de stand ON (I). In de ON-positie is de brandstofklep tevens open.



4. Zet de gashendel  $\frac{1}{3}$  naar links in de open stand.



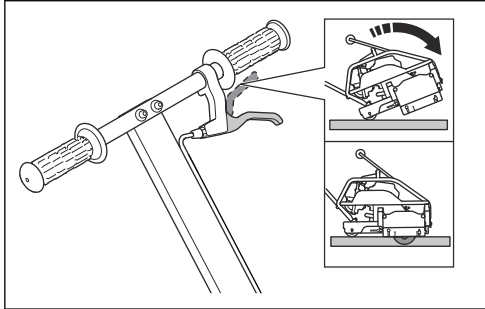
5. Zet de chokehendel in de juiste positie.
  - a) Sluit de choke als de motor koud is.
  - b) Open de choke als de motor warm is of als de omgevingstemperatuur hoog is.

**Let op:** De gesloten chokestand zorgt voor een beter brandstofmengsel voor het starten van een koude motor. De open chokestand levert het juiste brandstofmengsel voor de werking van de machine nadat de motor is gestart en voor het opnieuw starten van een warme motor.

6. Trek langzaam aan de greep van het startkoord totdat u weerstand voelt.



7. Laat de startkoordgreep los om het startkoord terug te laten gaan.
8. Trek aan de greep van het startkoord totdat de motor start. Het blad begint te draaien wanneer de motor is ingeschakeld
9. Open de chokehendel geleidelijk totdat deze helemaal open is.
10. Laat de motor 2-3 minuten stationair draaien voordat u volgas geeft.
11. Duw de hendel omlaag en trek de bladvrijgavehendel omhoog om het blad langzaam in het beton te laten zakken.



## Tijdens het werken met stof

Dit product heeft een stofuitlaat op de kap van de bladblokkering. De stofuitlaat wordt gebruikt om een stofzuiger aan te sluiten.

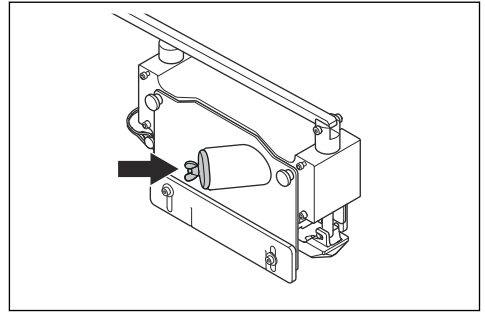
- Gebruik altijd een stofzuiger. Het wordt ook aanbevolen een antistatische afzuigslang te gebruiken.

**Let op:** Voor Husqvarna-producten zijn objectieve OSHA-gegevens beschikbaar op [www.husqvarnacp.com/us/](http://www.husqvarnacp.com/us/). De prestaties van de stofzuiger kunnen in de loop der tijd veranderen.

## Een stofzuiger op het product aansluiten

1. Draai de vleugelmoer op de plug linksom.
2. Verwijder de plug uit de leiding op de kap van de bladblokkering.

3. Sluit een stofzuiger op de bladblokkering.



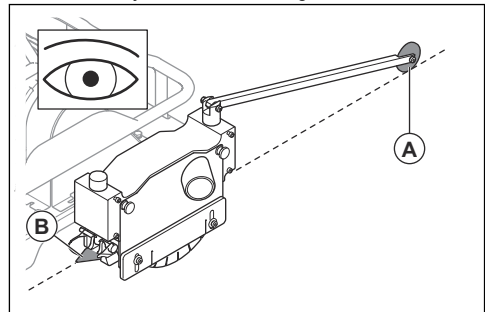
**Let op:** Als de stofzuiger niet compatibel is met de aansluiting op het product, gebruik dan een adapter.

## Het product gebruiken, Soff-Cut 150

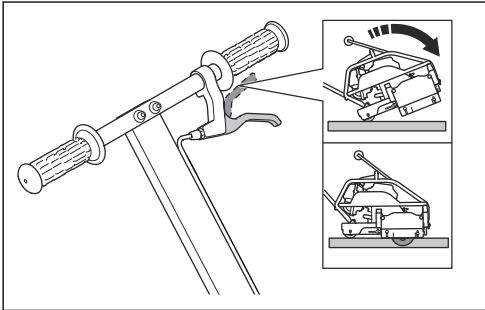


**OPGELET:** Zorg ervoor dat geen voorwerpen in contact met het bladenblok komen. Dit kan schade aan het product veroorzaken.

1. Start de motor. Zie *De motor starten op pagina 112*.
2. Open de motorgashendel volledig voor de maximale motorsnelheid.
3. Lijn de aanwijzer voor (A) en de aanwijzer achter (B) uit met de lijn waar u de snede gaat uitvoeren.



4. Duw de hendel omlaag en trek de bladvrijgavehendel omhoog om het blad langzaam in het beton te laten zakken.



5. Duw het product naar voren om te zorgen dat het frontgeleidewiel op de zaaglijn blijft. Duw het product de eerste 15 m (50 ft) op halve snelheid als er een nieuw blad is geïnstalleerd.
6. Verhoog de voorwaartse snelheid van het product totdat het blad en de motor optimaal werken. Gebruik niet meer kracht dan nodig is om het product naar voren te duwen.
7. Als u het product in de buurt van een muur gebruikt, tilt u de aanwijzer aan de voorzijde op. Kijk naar de aanwijzer achter om te controleren dat u recht snijdt.
8. Wanneer de bewerking is voltooid, kantelt u het product naar achteren om de hendel in te schakelen die het product in de gekantelde stand houdt.
9. Stop de motor. Zie *Motor uitschakelen op pagina 114*.
10. Reinig het product. Zie *Product aan de buitenkant reinigen op pagina 115*.

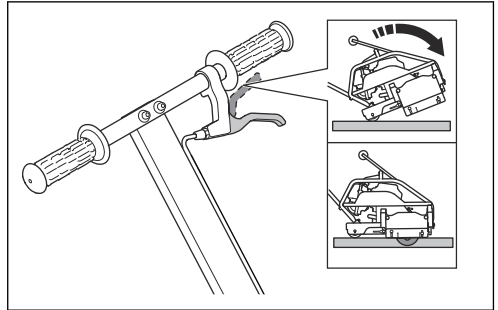
## Het product gebruiken, Soff-Cut 150D



**OPGELET:** Zorg ervoor dat geen voorwerpen in contact met het bladenblok komen. Dit kan schade aan het product veroorzaken.

1. Start de motor. Zie *De motor starten op pagina 112*.
2. Open de motorgashendel volledig voor de maximale motorsnelheid.

3. Lijn het achterste geleidewiel uit met de bestaande zaagsnede.
4. Duw de hendel omlaag en trek de bladvrijgavehendel omhoog om het blad langzaam in het beton te laten zakken.



5. Laat de zaag en het blad volledig in het beton zakken wanneer de geleidewielen in de zaagsnede juist zijn uitgelijnd.
6. Duw het product naar voren om de voorste wijzer ongeveer 30 cm (1 ft) in de snijlijn te houden en zorg ervoor dat de geleidewielen correct zijn uitgelijnd in de zaagsnede.
7. Verhoog de voorwaartse snelheid van het product totdat het blad en de motor optimaal werken. Gebruik niet meer kracht dan nodig is om het product naar voren te duwen.
8. Stop de motor. Zie *Motor uitschakelen op pagina 114*.
9. Reinig het product. Zie *Product aan de buitenkant reinigen op pagina 115*.

## Motor uitschakelen

1. Duw de bedieningshendels omlaag om het zaagblad in de vergrendelde stand te tillen.
2. Beweeg de motorgashendel naar de volledig gesloten positie.
3. Zet de schakelaar ON/OFF van de motor op OFF (O). Hiermee wordt ook de brandstofklep gesloten.
4. Reinig het product, zie *Product aan de buitenkant reinigen op pagina 115*.

## Onderhoud

### Inleiding



**WAARSCHUWING:** Voordat u onderhoudswerkzaamheden gaat uitvoeren, dient u het hoofdstuk over veiligheid te lezen en hebben begrepen.

### Onderhoudsschema

De onderhoudsintervallen worden berekend op basis van het dagelijks gebruik van het product. De intervallen veranderen als het product niet dagelijks wordt gebruikt.

Voor onderhoud dat is gemarkeerd met \*: zie de instructies in *Veiligheidsvoorzieningen op het product op pagina 106*.

Onderhoud	Elke dag	Wekelijks, elke 40 uur	Maandelijks, elke 200 uur	Na de eerste 20 uur, daarna elke 100 uur
Voer een algemene inspectie uit.	X			
Motoroliepeil controleren.	X			
Reinig het product.	X			
De glijplaat controleren (Soff-Cut 150).	X			
De Lexan™ kap* controleren.	X			
De beschermkap van de bladblokkering controleren*.	X			
Het zaagblad controleren.	X			
Het brandstofpeil controleren.	X			
Reinig de bougie.		X		
Het luchtfilter controleren en indien nodig vervangen.		X		
Controleer de aandrijfriem.		X		
De motorolie verversen.				X
De bladaslagers smeren.		X		
Vervang het luchtfilter.			X	
De bezinkkolf controleren en reinigen.			X	
De afstand tussen bougie en elektroden controleren.			X	

## Product aan de buitenkant reinigen



**OPGELET:** Reinig het product altijd onmiddellijk na gebruik, voordat het beton droog wordt. Achtergebleven beton kan schade aan het product veroorzaken.

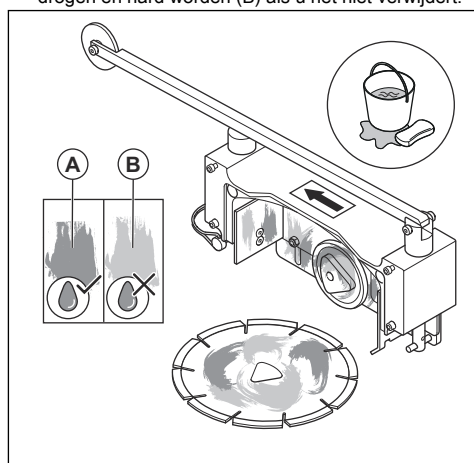
1. Verwijder het mes. Zie *Het blad verwijderen op pagina 116*.
2. Reinig het product met water.



**OPGELET:** Richt het water niet direct op de motor, vooral niet als u een hogedrukreiniger gebruikt.

3. Zorg ervoor dat de handgrepen en hendels schoon en droog zijn voordat u het product gebruikt.

4. Verwijder na elk gebruik betondeeltjes van de bladblokkering en het blad. Gebruik een zware borstel en water. Het resterende beton (A) zal drogen en hard worden (B) als u het niet verwijdert.



5. Houd alle openingen en sleuven op het product schoon zodat de lucht vrij door het motorcompartiment kan stromen.

## Bougie controleren



**OPGELET:** Gebruik altijd het juiste bougietype. Een verkeerd type bougie kan schade aan het product veroorzaken.

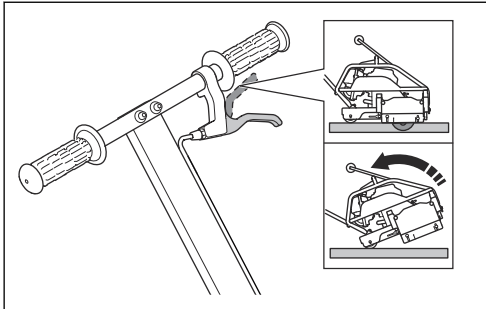
- Raadpleeg voor meer informatie de bedieningshandleiding van de motor.

## Algemene inspectie uitvoeren

- Controleer of de moeren en schroeven op het product goed zijn vastgedraaid.
- Controleer op brandstof- of olielekkage.
- Soff-Cut 150D: Zorg ervoor dat de wielen van de voorste geleider en de achterste geleider vrij kunnen draaien.

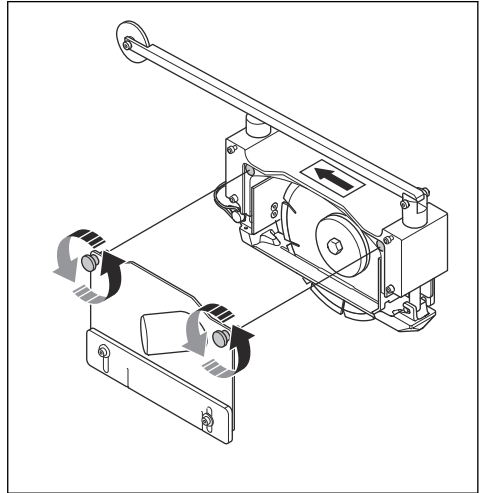
## Het blad verwijderen

1. Trek aan de vrijgavehendel en houd deze vast wanneer u het product kantelt. Duw het stuur omlaag om het product in de kantelstand te zetten.

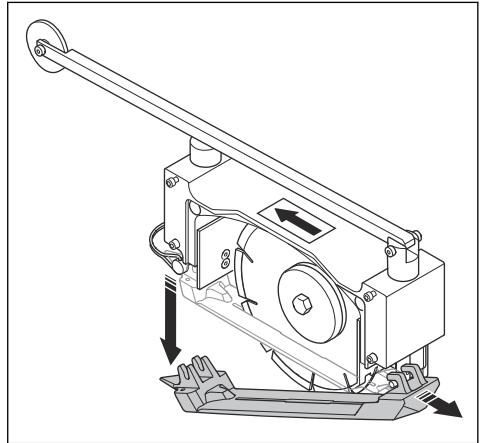


2. Laat de hendel los om het product in zijn positie te vergrendelen.

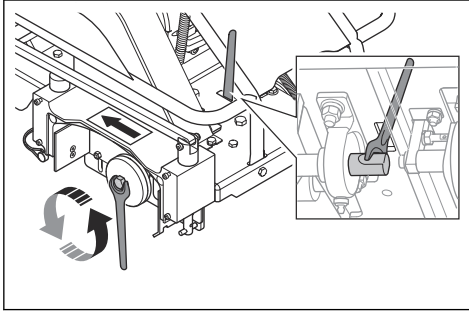
3. Draai de 2 vergrendelknoppen linksom en verwijder de van de bladblokkering.



4. Druk de aanwijzer achter omlaag om de glijplaat los te maken.

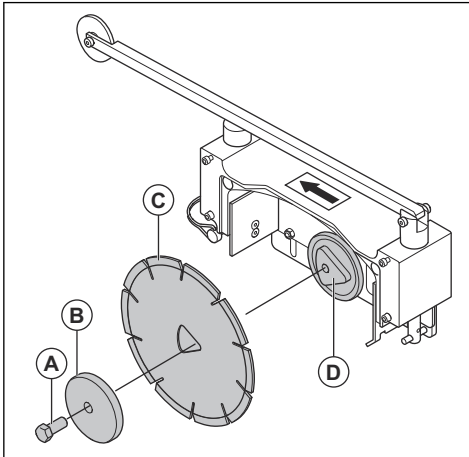


5. Steek 1 bladsleutel in de sleuf aan de voorkant van de motor. Plaats 1 bladsleutel op de bout van de bladas in de bladblokkering.



**Let op:** Het product wordt geleverd met 2 bladsleutels.

6. Draai de bout van de bladas (A) linksom totdat de sleutel in de sleuf op de platte oppervlakken van de bladas vastklikt.



7. Verwijder de bout (A) van de bladas. Verwijder de buitenste bladflens (B). Verwijder het zaagblad (C) van de bladas (D).

## Een zaagblad monteren



**WAARSCHUWING:** Gebruik geen zaagblad met een nominale toerentalwaarde lager dan die van het product. De nominale toerentalwaarde van het zaagblad is aangegeven op het zaagblad en die van het product is aangegeven op het typeplaatje. Gebruik alleen Husqvarna Soff-Cut-bladen die voldoen aan nationale of regionale normen, bijvoorbeeld EN13236 of ANSI B7.1.

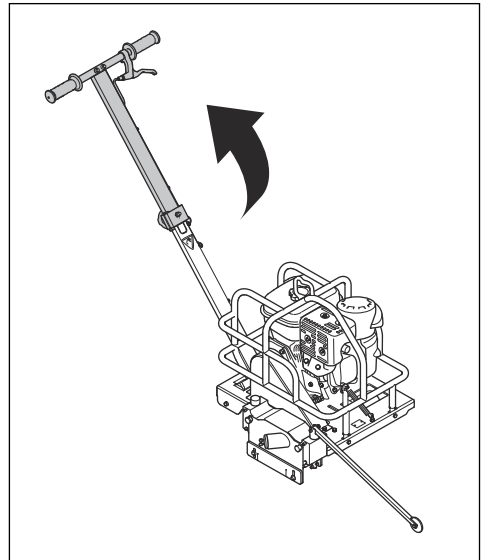


**OPGELET:** Controleer het zaagblad op beschadigingen, barsten, verlies van segmenten, vervorming, oververhitting, overmatige slijtage of een beschadigde opening voor de drievoudige as. Gooi een defect blad weg.

Controleer de bladflenzen op beschadiging en overmatige slijtage en zorg ervoor dat de bladflenzen schoon zijn.

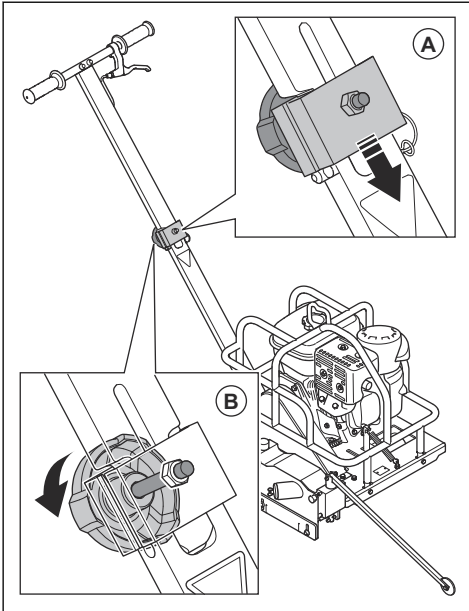
Zaagbladen worden niet bij het product geleverd. Gebruik alleen originele Husqvarna zaagbladen. Zie *Technische gegevens op pagina 127* voor het juiste type voor uw model. Voor Soff-Cut 150 is er een glijplaat in de kit met zaagbladen inbegrepen.

1. Klap de handgreep open naar de volledig verticale stand.

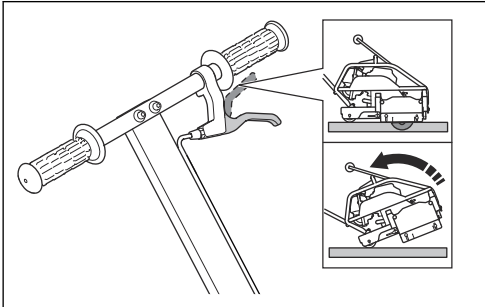


2. Druk op de borgklem (A).

3. Draai het borgklemwiel (B) vast.

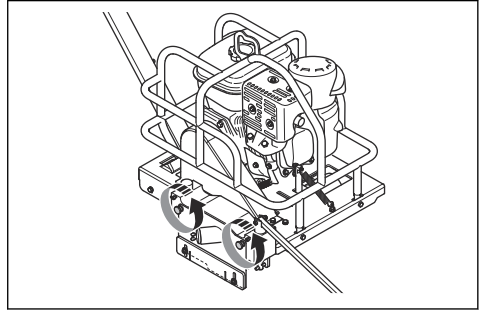


4. Trek aan de vrijgavehendel en houd deze vast wanneer u het product kantelt. Duw het stuur omlaag om het product in de kantelstand te zetten.

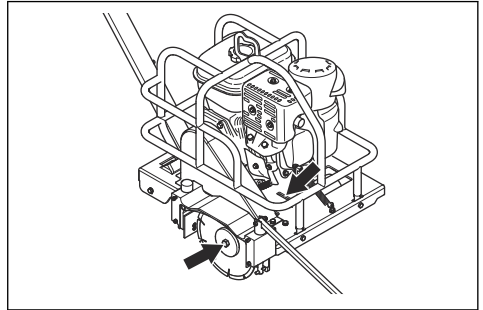


5. Laat de hendel los om het product in zijn positie te vergrendelen.

6. Draai de 2 vergrendelknoppen linksom en verwijder de van de bladblokkering.



7. Plaats een van de meegeleverde sleutels in de sleuf aan de voorkant van de motor. Plaats de andere meegeleverde sleutel op de bout van de bladas.



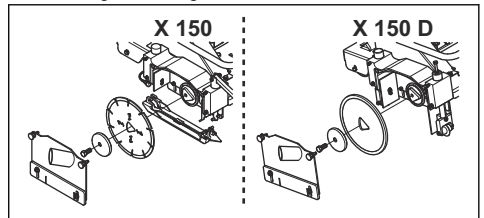
8. Draai de bladas tegen de wijzers van de klok in terwijl u de sleutel op de bout van bladas houdt, totdat de sleutel grip krijgt op de vlakke delen van de bladas.

9. Blijf de bladasbout linksom draaien om deze te verwijderen.

10. Verwijder de buitenste bladflens.

11. Verwijder het beton zorgvuldig van de as, de bladblokkering en de kap van het de bladblokkering.

12. Monteer het zaagblad op de bladas. Controleer of het zaagblad stevig rond de as zit.



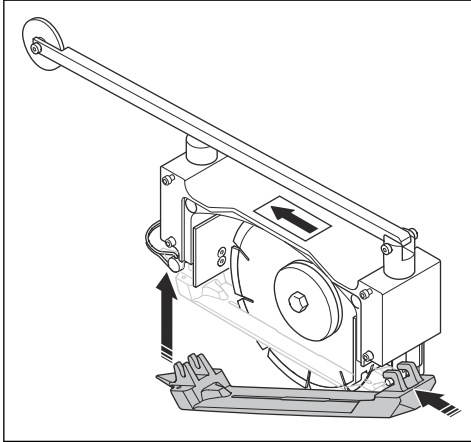
13. Verwijder de buitenste bladflens. Draai de bout volledig vast.

14. Model Soff-Cut 150: Installeer een nieuwe glijplaat.

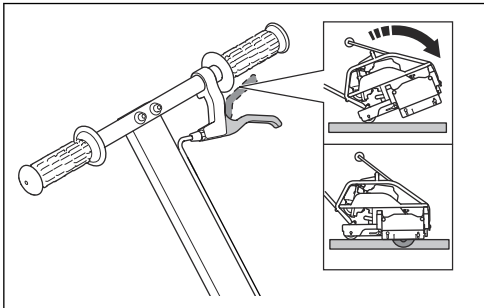


**OPGELET:** Breng geen gebruikte glijplaat aan.

- Plaats de voorzijde van de glijplaat op de aspen van de bladblokkering.
- Duw de achterkant van de glijplaat omhoog tegen de as van het achterste bladblokkering tot u een klik hoort.



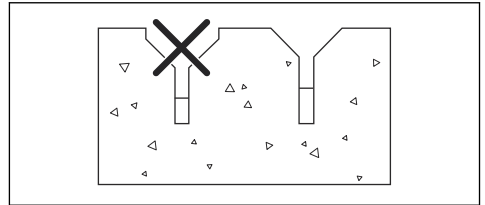
15. Installeer de beschermkap van de bladblokkering. Lijn de 2 knoppen van de beschermkap van de bladblokkering uit met de gaten in de bladblokkering. Draai de 2 knoppen van de beschermkap van de bladblokkeringen draai deze vast totdat deze volledig aan de bladblokkering is bevestigd.
16. Model Soff-Cut 150: Til de voor- en achterzijde van de glijplaat omhoog om ervoor te zorgen dat het blad ongehinderd door de glijplaat schuift.
17. Zorg ervoor dat de Lexan™ kap vrij op en neer kan bewegen.
18. Duw de hendel omlaag en trek de bladvrijgavehendel omhoog om het blad langzaam in het beton te laten zakken.



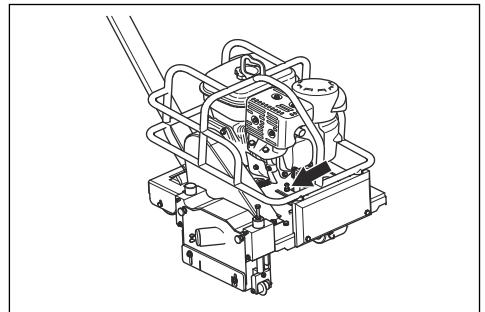
## De bladdiepte instellen (Soff-Cut 150D)



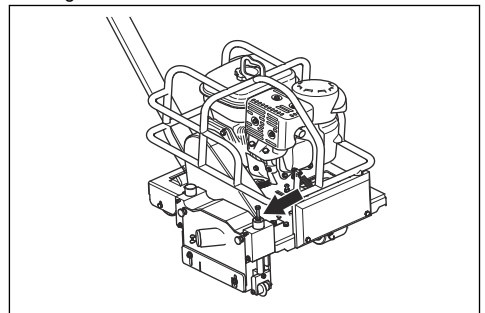
**OPGELET:** De zaagradius en -diepte van het V-blad is vooraf in de fabriek ingesteld op maximale diepte. Pas deze alleen aan indien dit noodzakelijk is. Alleen afstellen voor kleine, dunne snedes. Verhoog de diepte niet. Dat kan een schuine snede veroorzaken.



1. Draai de contraoer voor de diepte-instelling linksom los.



2. Draai de stelbout voor de diepte-instelling rechtsom. Elke volledige omwenteling van de steelschroef voor de diepte-instelling zal de afgeschuinde of de straalzaagradius met 0,3 cm (1/8 inch) verkleinen.
3. Draai de contraoer voor de steekzaagbout linksom los. Duw de achterkant van het veiligheidsframe omlaag om er zeker van te zijn dat de wielen vlak op de grond staan.



4. Draai de stelbout voor steekzagen rechtsom met de hand totdat deze de geleidewielas raakt.

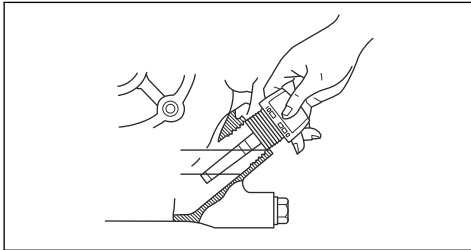
5. Draai de stelbout voor de diepte-instelling een kwartslag linksom los. Draai de contraoer voor de stelbout voor de diepte-instelling vast om deze te vergrendelen.
6. Snijd in een zaagverbinding over ca. 30 cm (1 ft) in om er zeker van te zijn dat u de juiste decoratieve snede hebt.

## Controleer de glijplaat Soff-Cut 150

- Controleer de glijplaat op schade.
- Controleer de sleuf van de glijplaat op te veel slijtage.
- Controleer de betonnen kant van het oppervlak. Zorg ervoor dat er geen bramen zijn en dat de zijsegmenten niet verbogen zijn.
- Installeer bij elk nieuwe blad ook een nieuwe glijplaat. Gebruik geen gebruikte glijplaat met een nieuw blad.
- Til de glijplaat van voren en van achteren op om ervoor te zorgen dat het blad vrij door de glijplaat kan bewegen.

## Oliepeil controleren

1. Stop de motor.
2. Zet het product op een vlakke ondergrond.
3. Verwijder de olietankdop met de bijgevoegde peilstok.
4. Veeg de olie van de peilstok.
5. Steek de peilstok weer helemaal terug en maak hem niet vast.
6. Trek de peilstok eruit en lees het oliepeil af.
7. Controleer het oliepeil op de peilstok.



8. Als het oliepeil laag is, vult u bij met motorolie en controleert u het oliepeil opnieuw. Raadpleeg *Technische gegevens op pagina 127* voor het juiste olietype.
9. Draai de olietankdop goed vast voordat u de motor start.

**Let op:** De motor heeft een oliewaarschuwingssysteem dat de motor stopt als het oliepeil te laag is. De motor kan niet worden gestart tenzij het oliepeil boven de voorgeschreven limiet ligt.

## De motorolie verversen

Zie *Onderhoudsschema op pagina 114* voor intervallen.



**WAARSCHUWING:** Motorolie is nog erg heet direct nadat de motor stopt. Laat de motor afkoelen voordat u de motorolie aftapt. Als u motorolie morst op uw huid, was die dan af met water en zeep.

1. Plaats een opvangbak onder de aftapplug voor de motorolie.
2. Verwijder de aftapplug.
3. Laat de olie in de container lopen.
4. Bevestig de aftapplug en draai deze vast.
5. Vul met nieuwe olie volgens aanbeveling. Zie *Technische gegevens op pagina 127*.
6. Zie *Oliepeil controleren op pagina 120* voor instructies voor vullen van olie.

## Luchtfilter



**WAARSCHUWING:** Gebruik goedgekeurde ademhalingsbescherming wanneer u het luchtfilter reinigt of vervangt. Voer gebruikte luchtfilters op de juiste manier af. Het stof in het luchtfilter is schadelijk voor uw gezondheid.



**WAARSCHUWING:** Reinig het luchtfilter niet met perslucht. Dit veroorzaakt schade aan het luchtfilter en het risico neemt toe dat u gevaarlijk stof inademt.



**OPGELET:** Vervang een beschadigd luchtfilter altijd, anders komt het stof in de motor en kan de motor beschadigd raken.

De luchtfilteeenheid is van het cycloontype en bevindt zich op de motor aan de voorkant van de zaag. Raadpleeg het onderhoudsschema voor het vervangen van het luchtfilteelement. Vervang dit indien nodig vaker.

Raadpleeg voor meer informatie de bedieningshandleiding van de motor.

## De aandrijfriem controleren

- Controleer de aandrijfriem op beschadigingen of zichtbare defecten.
- De riemspanner regelt de riemspanning. De riemspanning hoeft niet te worden afgesteld.
- Zorg ervoor dat de riemspanner vrij omhoog en omlaag kan bewegen.
- Controleer of de lagers van de riemspanner vrij kunnen bewegen.

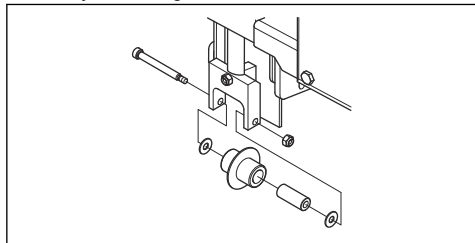


## De geleidewielen vervangen (Soff-Cut 150D)

Gebruik de geleidewielen van ¼ inch wanneer u zaagsneden van ¼ inch met het XL6- V25-D-blad wilt maken. De voorste en achterste geleidewielen zijn bij de zaag inbegrepen.

**Let op:** Zowel de voorste als de achterste geleidewielen moeten worden vervangen; gebruik geen geleidewielen van verschillende breedtes.

1. Verwijder de borgmoer en schuif de borstbout eruit.

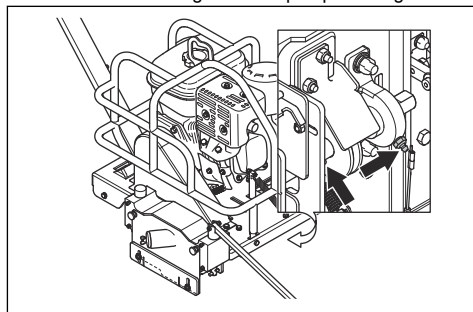


2. Houd bij welke ringen en andere onderdelen zijn verwijderd en de volgorde van de montage.
3. Schuif de bronzen lagerbus uit de binnenkant van het oude voorste geleidewiel en plaats de nieuwe erin.
4. Schuif de bronzen lagerbus uit de binnenkant van het oude achterste geleidewiel en plaats de nieuwe erin.
5. Breng de nieuwe geleidewielen aan met dezelfde borstbouts, borgmoeren en kunststof onderleggingen.

Geleidewielen van ½ inch zijn niet meegeleverd met de zaag, maar zijn ook beschikbaar voor gebruik met ProEdge Blade XL6-V500-D voor het frezen van zaagsneden van ½ inch.

## De lagers van de bladas smeren

- Smeer de bladslagers met 3 pompdoseringen vet.



Raadpleeg *Technische gegevens* op pagina 127 voor het juiste type smeervet.

## Onderhoud van de motor

Raadpleeg de bedieningshandleiding voor de motor voor aanvullende informatie over het onderhoud van de motor. De bedieningshandleiding voor de motor bevat ook informatie over specificaties, onderdelen, motorgarantie, emissienaleving, enz.

## Probleemoplossing

### Schema voor storingzoeken



**WAARSCHUWING:** Het oplossen van problemen kan leiden tot risico op letsel omdat er personeel werkzaam is in de risicogebieden van het product. Wees

voorzichtig, bereid de werkzaamheden voor en gebruik uw gezonde verstand.

Als u in deze handleiding geen oplossing voor uw probleem kunt vinden, neem dan contact op met Husqvarna uw servicewerkplaats.

Probleem	Oplossing
<p>Het product veroorzaakt versplinteren/afbrokkelen of rafelen in de snede (Soff-Cut 150).</p>	Zorg ervoor dat het zaagblad niet versleten, glad, vervormd of beschadigd is.
	Zorg ervoor dat de glijplaat het zaagblad niet raakt en over de volledige aslengte vrij omhoog en omlaag beweegt.
	Zorg ervoor dat de glijplaat niet versleten is en dat er geen afstand is rond het zaagblad.
	Controleer de onderkant van de glijplaat en zorg ervoor dat er geen metalen bramen of defecten zijn.
	Controleer of de glijplaat niet beschadigd of verbogen is.
	Zorg ervoor dat de Lexan™ kap vrij op en neer kan bewegen.
	Controleer de veerspanning. Duw de assen van het voorste en achterste bladblokkering omhoog. Er moet een lage tot matige druk zijn.
	Draai of beweeg het product niet zijwaarts terwijl u zaagt. Wijzig de druk op het stuur geleidelijk om de zaag in de zaagsnede te sturen.
	Controleer of de motor correct werkt en op het gespecificeerde toerental.
	Zorg ervoor dat de spanning van de riem en de riemspanner correct zijn.
	Zorg ervoor dat het zaagblad correct is gemonteerd en met schone flenzen is bevestigd.
	Zorg ervoor dat het zaagblad de juiste specificatie heeft voor uw gebied of type beton.
	Zorg ervoor dat het betonnen oppervlak schoon is en dat de glijplaat soepel over het betonnen oppervlak kan bewegen.
	Gebruik Husqvarna voegbeschermers op alle kruisingen van zaagsneden.
	Reinig de bladblokkering.
Zorg ervoor dat de schrapers in de bladblokkering vrij kunnen bewegen en dat ze niet verbogen zijn.	
Controleer of de assen van de bladblokkering niet verbogen of beschadigd zijn.	

Probleem	Oplossing
<p>Het product veroorzaakt schuine kanten of radius-insnijdingen (Soff-Cut 150D).</p>	Zorg ervoor dat het zaagblad niet versleten, glad, vervormd of beschadigd is.
	Zorg ervoor dat de geleidewielen voor en achter soepel kunnen bewegen en vrij omhoog en omlaag kunnen bewegen.
	Laat het zaagblad op zijn eigen, juiste snelheid zagen. Duw het product niet met grote kracht vooruit.
	Zorg ervoor dat de geleidewielen worden uitgelijnd in de bestaande zaagsnede voordat u begint.
	Zorg ervoor dat de bestaande zaagsneden schoon zijn en vrij van ongewenste verontreiniging.
	Zorg ervoor dat de Lexan™ kap vrij op en neer kan bewegen.
	Controleer de veerspanning. Duw de assen van het voorste en achterste bladblokkering omhoog. Er moet een lage tot matige druk zijn.
	Draai of beweeg het product niet zijwaarts terwijl u zaagt. Wijzig de druk op het stuur geleidelijk om de zaag in de zaagsnede te sturen.
	Controleer of de motor correct werkt en op het gespecificeerde toerental.
	Controleer of de riem en de riemschijven de juiste spanning hebben.
	Zorg ervoor dat het zaagblad correct is gemonteerd en met schone flenzen is bevestigd.
	Zorg ervoor dat het betonnen oppervlak schoon is en dat de glijplaat soepel over het betonnen oppervlak kan bewegen.
	Verwijder ongewenste vervuiling van de bladblokkering.
<p>Het product trekt naar één kant bij gebruik (Soff-Cut 150D).</p>	Controleer of de voorste geleider juist is uitgelijnd met het midden van het zaagblad.
<p>Het product trekt naar één kant bij gebruik (Soff-Cut 150D).</p>	Controleer de glijplaat op beschadigingen of bramen.
	Controleer of de voorste en achterste geleider juist zijn uitgelijnd met het midden van het zaagblad.
	Controleer of het zaagblad niet versleten, glad, niet in vorm of beschadigd is.
	Draai of beweeg het product niet zijwaarts terwijl u zaagt. Wijzig de druk op het stuur geleidelijk om de zaag in de zaagsnede te sturen.
	Controleer of alle wielen vrij en soepel draaien.
Laat het zaagblad op zijn eigen, juiste snelheid zagen. Duw het product niet met grote kracht vooruit.	

Probleem	Oplossing
De motor start niet.	Controleer of de tank brandstof bevat en of dit het juiste type brandstof is. Controleer of er de brandstof geen water bevat.
	Zorg dat de hoofdschakelaar in de stand 'ON' staat.
	Zorg ervoor dat de ON/OFF-schakelaar in de stand 'ON' staat.
	Controleer of de bougiekabel met de bougie verbonden is.
	De motor is 'verzopen'. Stel de choke af, raadpleeg de gebruikershandleiding voor de motor.
	Controleer of de choke bij een koude start in de 'ON'-positie staat. Stel de choke af, raadpleeg de gebruikershandleiding voor de motor.
	Controleer het oliepeil. De motor heeft een olieaarschuwingssysteem dat de motor stopt als het oliepeil te laag is.
	Controleer of het luchtfilter niet vuil of verstopt is.
	Controleer of de bladas vrij kan draaien en er geen betonafzetting in de bladblokkering aanwezig is.
De motor draait niet soepel of draait niet bij stationair toerental.	Controleer of de tank brandstof bevat en of dit het juiste type brandstof is. Controleer of er de brandstof geen water bevat.
	Controleer het oliepeil. De motor heeft een olieaarschuwingssysteem dat de motor stopt als het oliepeil te laag is.
	Controleer of het luchtfilter niet vuil of verstopt is.
	Zorg ervoor dat de bougie schoon is en de juiste afstand heeft, zie de gebruikershandleiding voor de motor.
	Controleer of de gashendel goed is ingesteld.
	Controleer of de choke bij een koude start in de 'ON'-positie staat. Stel de choke af, raadpleeg de gebruikershandleiding voor de motor.

## Vervoer, opslag en verwerking

### Transport



**WAARSCHUWING:** Wees voorzichtig tijdens het transport. Het product is zwaar en kan als het valt of beweegt letsel of schade veroorzaken.

Met de wielen kunt u het product met de hand verplaatsen voor kortere afstanden. Voor langere afstanden moet u het product heffen om het te verplaatsen of op een voertuig plaatsen.



**OPGELET:** Sleep het product niet achter een voertuig.

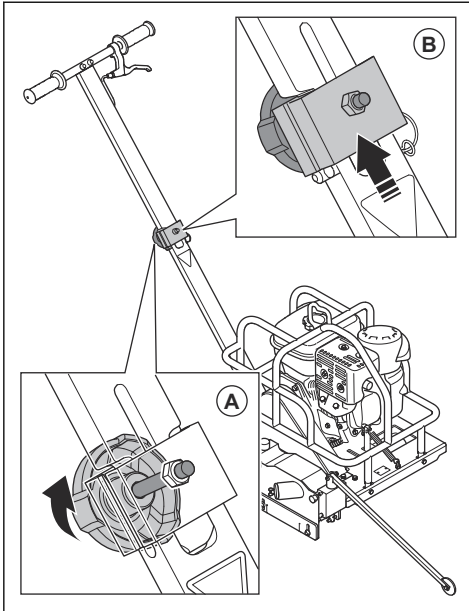
- Bevestig het product stevig tijdens het transport per auto. Bevestig sjordbanden aan het veiligheidsframe en het voertuig.

- Zet de schakelaar ON/OFF-schakelaar van de motor op OFF. Hiermee wordt ook de brandstofklep gesloten.
- Verwijder het zaagblad voordat u het product gaat vervoeren.
- Plaats het product in de positie met de juiste hoogte.
- Controleer voor opslag en vervoer van het product en de brandstof of er geen lekken of dampen zijn. Vonken of open vuur, bijvoorbeeld van elektrische apparaten of ketels, kunnen tot brand leiden.
- Gebruik altijd goedgekeurde containers voor transport van brandstof.
- Het product inklappen, zie *Het product inklappen op pagina 124*.

### Het product inklappen

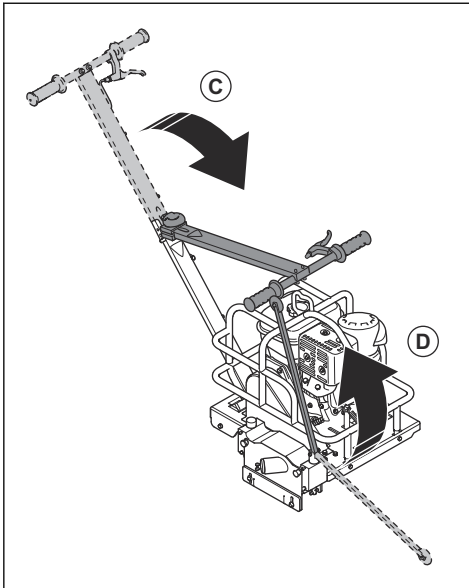
1. Draai het klemwiel (A) los.

2. Trek de borgklem (B) omhoog.



3. Klap de hendel naar voren (C).

4. Klap de pijl naar voren omhoog (D).



## Het product optillen



**WAARSCHUWING:** Zorg ervoor dat de hijsapparatuur de juiste afmetingen heeft. Het typeplaatje op het product geeft het gewicht van het product aan.

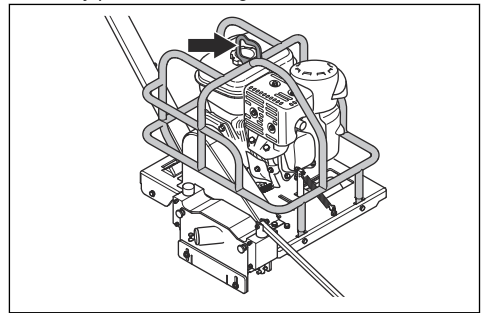


**WAARSCHUWING:** Hef een beschadigd product niet. Controleer of het hijspunt correct is aangebracht en niet beschadigd is.



**WAARSCHUWING:** Gebruik geen metalen haken, kettingen of andere hijsapparatuur met ruwe randen die schade aan het hijspunt kunnen veroorzaken.

- Gebruik de stang van het veiligheidsframe aan beide uiteinden van het product wanneer het product door twee personen wordt opgetild, en til met twee handen.
- Als u hijsapparatuur gebruikt, bevestigt u deze aan het hijspunt van het veiligheidsframe.



## Opslag

- Het product heeft geen parkeerrem. Blijf in de buurt van het product wanneer het op een helling staat. Als het nodig is om het product op een helling te parkeren, zorg er dan voor dat het product adequaat is bevestigd en niet kan bewegen.
- Verwijder het zaagblad voordat het product wordt opgeslagen.
- Bewaar het product in een afgesloten ruimte om toegang door kinderen of onbevoegde personen te verhinderen.
- Bewaar de zaagbladen op een veilige plaats om schade te voorkomen.
- Bewaar de zaagbladen in een droge en vorstvrije ruimte.
- Controleer nieuwe zaagbladen op opslagschade.
- Controleer voor opslag van het product en de brandstof of er geen lekken of dampen zijn. Vonken of open vuur, bijvoorbeeld van elektrische apparaten of ketels, kunnen tot brand leiden.

- Gebruik altijd goedgekeurde containers voor opslag van brandstof.
- Het product inklappen, zie *Het product optillen op pagina 125*.

Voer voor langdurige opslag ook de volgende stappen uit:

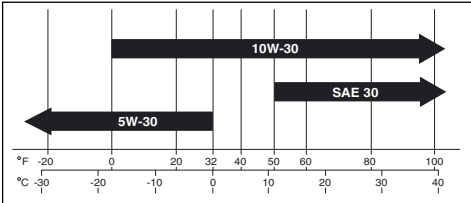
- Reinig het product en voer een complete onderhoudsbeurt uit.
- Leeg de brandstoftank.
- Bewaar het product in een droge en vorstvrije ruimte.
- Plaats een beschermkap op het product. Dit is vooral belangrijk voor buitenopslag.
- Ververs de motorolie na langdurige opslag.

## Afvoeren

- Neem de plaatselijk geldende wet- en regelgeving voor recycling in acht.
- Voer alle chemicaliën, zoals olie of brandstof, af via een servicecentrum of een geschikte verwijderingslocatie.
- Wanneer het product niet langer in gebruik is, stuur het dan naar een Husqvarna dealer of voer het af via een recyclingslocatie.

## Technische gegevens

### Technische gegevens

	Soff-Cut 150	Soff-Cut 150D
<b>Motor<sup>22</sup></b>		
Merk/type motor	Kohler/ CH255	Kohler/ CH255
Motorvermogen, kW@tpm/pk@tpm <sup>23</sup>	4.0@3600/5.5@3600	4.0@3600/5.5@3600
<b>Brandstof-/smeersysteem</b>		
Inhoud brandstoftank, l/gallon	3,0/0,8	3,0/0,8
Oliesysteem	Oliewaarschuwingssysteem met auto-uitschakelingssensor.	Oliewaarschuwingssysteem met auto-uitschakelingssensor.
Inhoud olietank, liter/qt	0,6/0,63	0,6/0,63
Motorolie	<p>Wij adviseren gebruik van Kohler-oliën voor de beste prestaties. Andere hoogwaardige reinigingsoliën, met inbegrip van synthetische, van API (American Petroleum Institute) SJ-serviceklasse of hoger zijn aanvaardbaar. Selecteer de viscositeit op basis van de luchttemperatuur op het moment van de werkzaamheden, zoals aangegeven in onderstaande afbeelding.</p> 	
Smeervet	Vet op basis van lithium 12	Vet op basis van lithium 12
<b>Gewicht</b>		
Met lege tanks, kg/lb	37/82	43/95
Met brandstof, kg/lb	40/88	46/101
<b>Geluidsemisies<sup>24</sup></b>		
Geluidsvermogensniveau, gemeten dB(A)	100	100
Geluidsvermogensniveau, gegarandeerd L <sub>WA</sub> dB (A)	102	102
<b>Geluidsniveau<sup>25</sup></b>		

<sup>22</sup> Raadpleeg voor meer informatie en vragen over deze specifieke motor de motorhandleiding of de website van de motorfabrikant.

<sup>23</sup> Zoals opgegeven door de motorfabrikant. Bruto nominale vermogen volgens SAE J1940/J1995, bij gespecificeerd toerental.

<sup>24</sup> Geluidsemisatie naar de omgeving gemeten als geluidsvermogen (L<sub>WA</sub>) volgens EG-richtlijn 2000/14/EG.

<sup>25</sup> Geluidsdrukniveau volgens ISO EN 13862. De opgegeven gegevens voor het geluidsdrukniveau vertonen een typische statistische spreiding (standaardafwijking) van 2,5 dB (A).

	<b>Soff-Cut 150</b>	<b>Soff-Cut 150D</b>
Geluidsdruk niveau bij het oor van de gebruiker, dB (A)	86	86
<b>Trillingsniveaus, <math>a_{hveq}</math><sup>26</sup></b>		
Rechterhandgreep, m/s <sup>2</sup>	5,9	5,9
Linkerhandgreep, m/s <sup>2</sup>	4,0	4,0
<b>Zaagblad</b>		
Type blad	Diamantzaagblad, droogzagen met drievoudige as	ProEdge-radius en afgeschuinde bladen
Materiaal	Alleen voor vers beton	Controleer voegen alleen op uitgehard beton
Max. bladformaat, mm/inch	165/6,5	152/6
Max. zaagdiepte, mm/inch	38,1/1,5	27/0,5
Zaagafstand van muur, mm / inch	76/3	114/4,5
Bladrotatie	Linksom, tegenloop	Linksom, tegenloop
Bladastoeental, tpm	4500	4500
Bladdieptecontrole	Handleiding	Handleiding
<b>Gemiddelde zaagsnelheid<sup>27</sup></b>		
Zachte aggregaten, m/min of ft/min	3,7 of 12	
Medium aggregaten, m/min of ft/min	2,4 of 8	
Harde aggregaten, m/min of ft/min	1,2 of 4	
<b>Aanbevolen stofzuigers<sup>28</sup></b>		
Min. luchtstroom CFM of m <sup>3</sup> /u	236 of 400	
Min. vacuüm, psi (kPa)	3,6/22	
Min. wateropvoering, m/inch	2,3/90	
Opzetstuk stofzuiger, mm/inch	60/2	

## Verklaring inzake geluid- en trillingsemisies

Deze aangegeven waarden zijn verkregen door middel van typeonderzoek in een laboratorium in overeenstemming met de genoemde richtlijn of normen en zijn geschikt voor vergelijking met aangegeven waarden van andere producten die volgens dezelfde richtlijn of normen zijn getest. Deze aangegeven waarden zijn niet geschikt voor gebruik ten behoeve van

risicoanalyses. Waarden die worden gemeten op afzonderlijke werkplekken, kunnen hoger zijn. De werkelijke blootstellingswaarden en het risico op letsel dat een individuele gebruiker ondervindt, zijn uniek en zijn afhankelijk van de manier waarop de gebruiker werkt, het materiaal waarvoor het product gebruikt wordt, de blootstellingstijd en de fysieke toestand van de gebruiker en de toestand van het product.

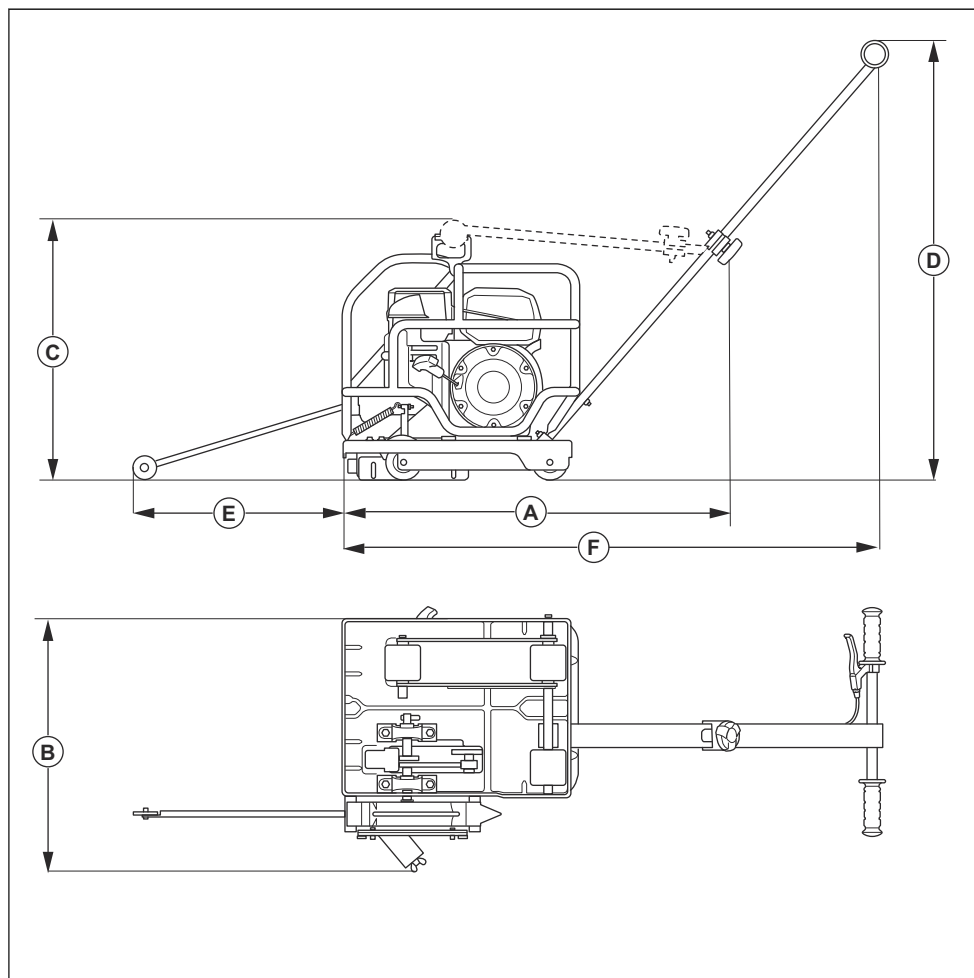
<sup>26</sup> Trillingsniveau volgens EN 13862. De gerapporteerde gegevens voor een trillingsniveau vertonen een typische statistische spreiding (standaardafwijking) van 1 m/s<sup>2</sup>.

<sup>27</sup> Enkel een schatting. De snelheid zal variëren op basis van de omstandigheden en het betonmengsel.

<sup>28</sup> De omschrijving die technische gegevens voor stofzuigers bieden, verschaft onvoldoende duidelijkheid over de werkelijke prestaties in de loop van de tijd tussen de verschillende stofzuigers. Voor Husqvarna-producten zijn objectieve OSHA-gegevens beschikbaar op [www.husqvarnacp.com/us/](http://www.husqvarnacp.com/us/).



## Productafmetingen



Afmetingen, mm/inch		Soff-Cut 150	Soff-Cut 150D
<b>A</b>	Lengte met ingeklapte handgreep	860/33,9	860/33,9
<b>B</b>	Breedte	560/22	560/22
<b>C</b>	Hoogte	566/22,3	571/22,5
<b>D</b>	Hoogte met handgreep	932/37	945/37,2
<b>E</b>	Afstand van het frontgeleidewiel tot het product	445/17,5	N.v.t.

Afmetingen, mm/inch		Soff-Cut 150	Soff-Cut 150D
F	Afstand van de voorkant van het product tot de hendel	1178/46,4	1192/46,9

---

# Verklaring van overeenstemming

---

## EU-verklaring van overeenstemming

Husqvarna AB, SE-561 82 Huskvarna, Zweden, tel.:  
+46-36-146500, verklaart dat het product:

<b>Beschrijving</b>	<b>Vloerzaagmachine</b>
<b>Merk</b>	Husqvarna
<b>Type/model</b>	Soff-Cut 150, Soff-Cut 150D
<b>Identificatie</b>	Serienummers vanaf 2021 en verder

volledig voldoet aan de volgende EU-richtlijnen en -  
regelgeving:

<b>Richtlijn/Verordening</b>	<b>Beschrijving</b>
2006/42/EG	"betreffende machines"
2014/30/EU	"betreffende elektromagnetische compatibiliteit"
2000/14/EG	"betreffende geluid buitenshuis"

en dat de volgende normen en/of technische  
specificaties zijn toegepast:

EN ISO 12100:2010

EN 13862:2001+A1:2009

EN 55012:2008+A1:2009

EN ISO 14982:2009

2000/14/EG, beoordelingsprocedure voor conformiteit:  
Bijlage V.

Raadpleeg voor informatie betreffende geluidsemiszie  
het hoofdstuk met technische gegevens

Partille 2021-06-14



Martin Huber,  
R&D Director, betonnen oppervlakken en vloeren  
Husqvarna AB, Construction-divisie  
Verantwoordelijk voor technische documentatie





[www.husqvarna.com](http://www.husqvarna.com)

Original instructions  
Originalanweisungen  
Instructions d'origine  
Originele instructies

1159910-20



2021-07-06