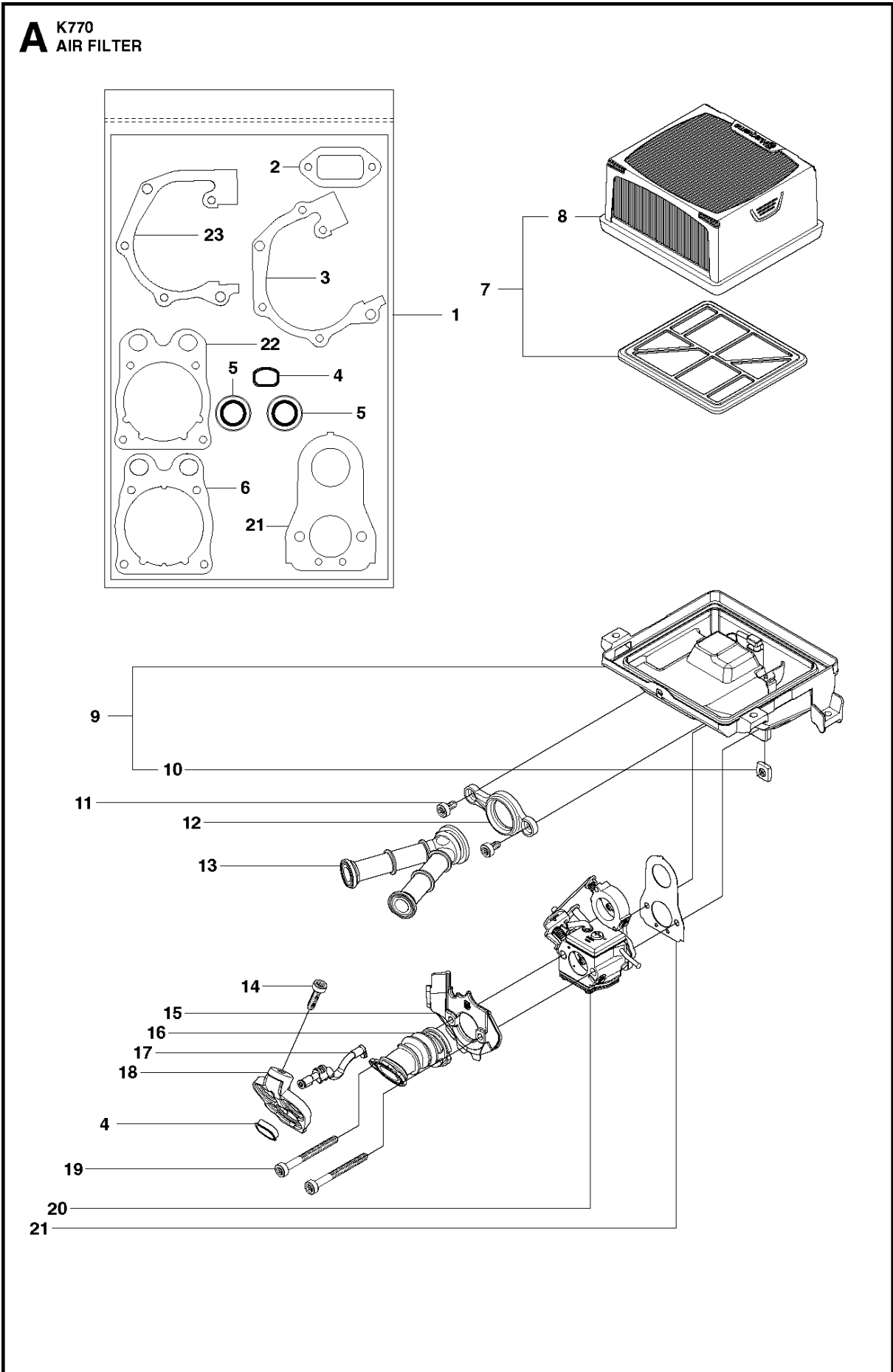




SPARE PARTS LIST

POWER CUTTERS

K 770 Smartguard, 2020-04

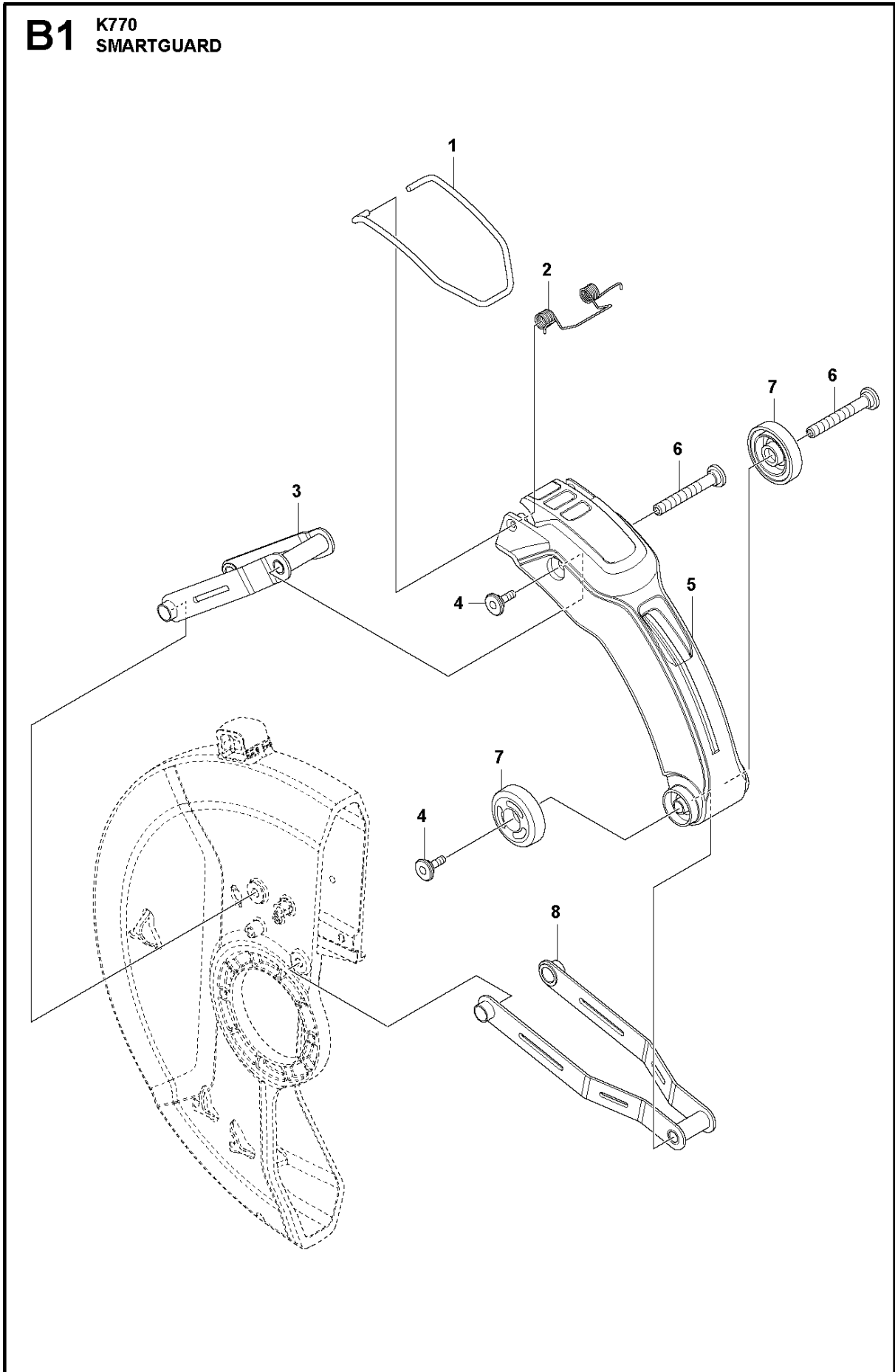


AIR FILTER

K 770 Smartguard, 2020-04

Ref	Part No	Description	Remark	QTY KIT	
1	581 35 74-02	GASKET KIT	incl. 2 - 6, 21 - 23	1	2, 23, 3, 22, 5, 4, 6, 21
2	588 93 25-01	GASKET		1	1
3	506 37 70-03	GASKET		1	1
4	544 21 93-02	INSERT		1	1
5	503 26 02-04	SEALING RING	Blue	2	1
6	581 28 53-01	GASKET		1	1
7	574 36 23-02	AIR FILTER ASSY	Incl. 8	1	8
8	525 47 06-02	AIR FILTER ASSY		1	7
9	575 35 40-01	CARBURETTOR BRACKET	Incl. 10	1	10
10	581 77 48-01	NUT		4	9
11	503 21 53-10	SCREW ITXSCM		2	
12	506 37 06-01	FLANGE INLET PIPE		1	
13	525 73 32-01	INLET PIPE		1	
14	503 21 53-20	SCREW ITXSCM		1	
15	576 89 01-01	HEAT SHIELD		1	
16	525 73 31-01	INLET PIPE		1	
17	586 22 77-01	IMPULSE HOSE		1	
18	574 23 18-02	PLATE		1	
19	503 21 53-56	SCREW ITXSCM		2	
20	578 24 34-01	CARBURETTOR	Zama C3-EL53	1	
21	506 37 68-04	GASKET		1	1
22	506 37 67-01	GASKET		1	1
23	506 37 70-02	GASKET		1	1

B1 K770
SMARTGUARD

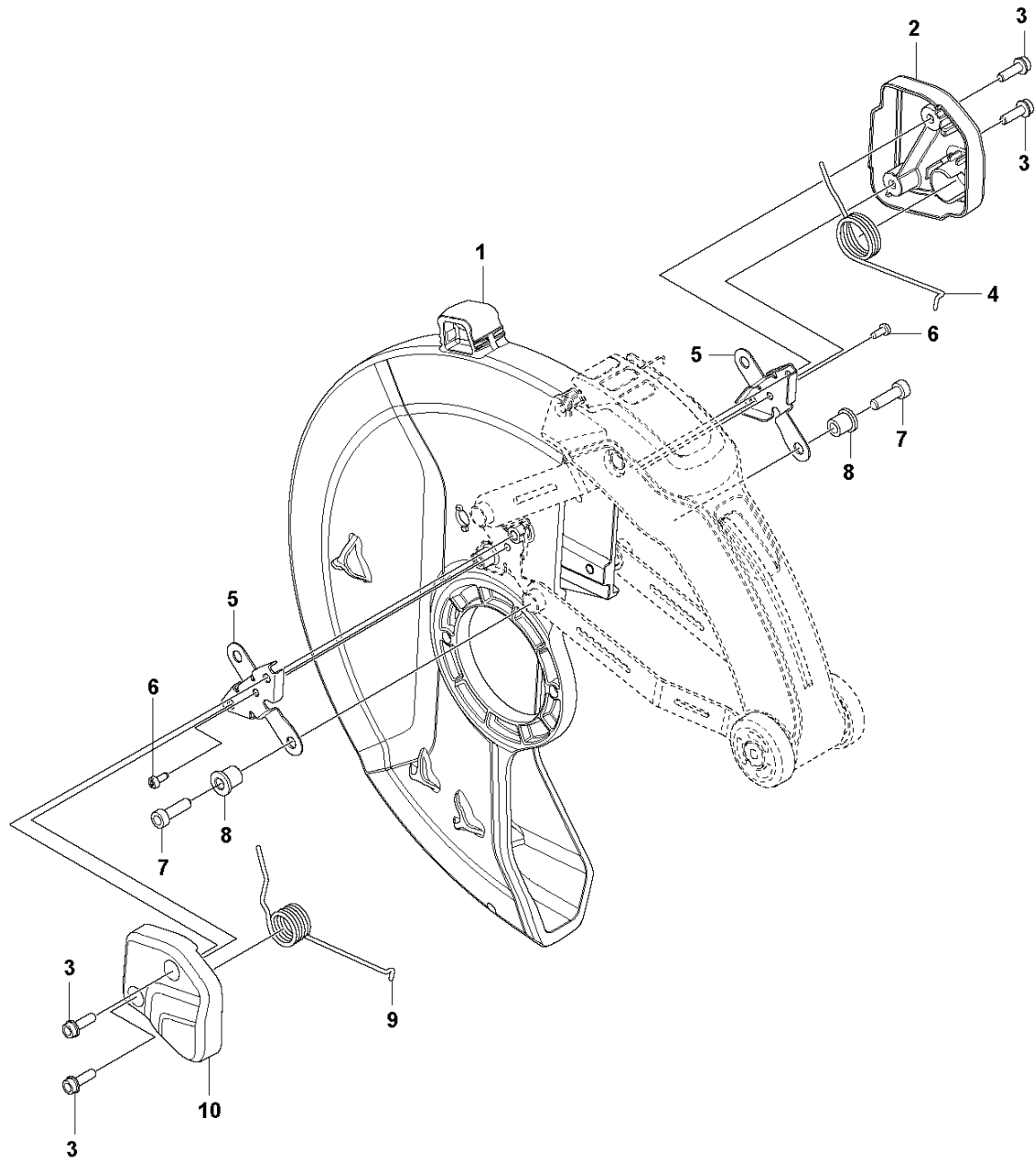


GUARDS

K 770 Smartguard, 2020-04

Ref	Part No	Description	Remark	QTY KIT
1	597 80 91-01	HANDLE LOOP		1
2	597 80 86-01	SPRING		1
3	598 44 59-01	SUPPORT ASSY		1
4	526 83 45-02	SCREW		2
5	597 80 88-01	BLADE GUARD		1
6	597 79 45-01	SCREW		2
7	597 80 95-01	WHEEL		2
8	598 44 57-01	SUPPORT ASSY		1

B2 K770
SMARTGUARD

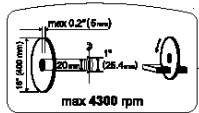
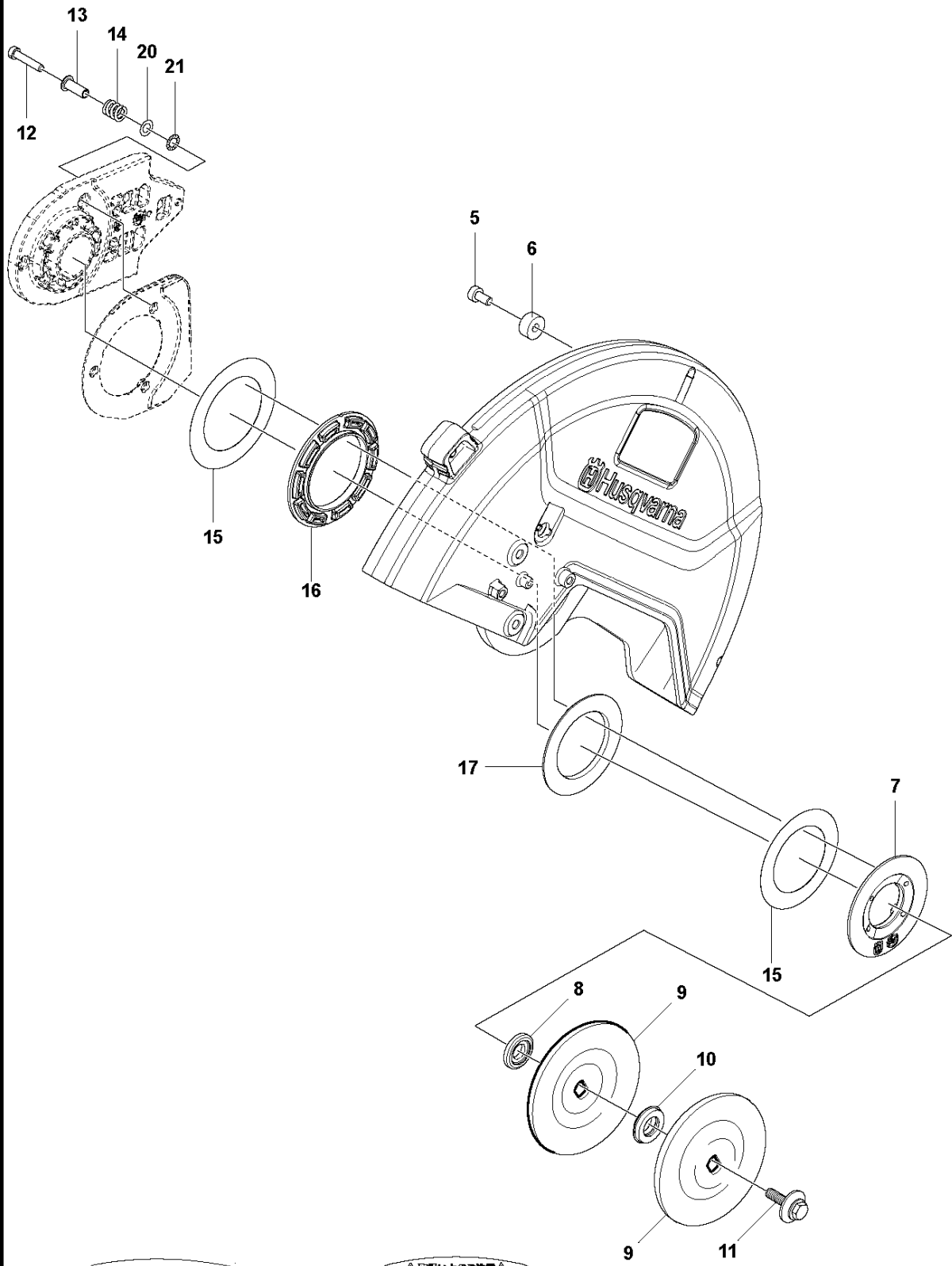


GUARDS

K 770 Smartguard, 2020-04

Ref	Part No	Description	Remark	QTY KIT
1	597 57 66-01	WHEEL GUARD		1
2	597 80 89-01	COVER		1
3	525 75 51-12	SCREW ITXSCFM		4
4	597 80 93-01	SPRING		1
5	598 48 90-01	WEAR PLATE		2
6	525 88 74-02	SCREW CITXPANT		2
7	544 21 84-60	SCREW ITXSCM		4
8	599 66 17-01	BUSHING		4
9	597 80 92-01	SPRING		1
10	597 80 90-01	COVER		1

B3 K770
SMARTGUARD



18

△ 取り扱い上の注意 △

- 回転部分に接触すると、手指や衣服が巻き込まれる危険があります。
- 作業中は、必ずヘルメットを着用してください。
- 作業中は、必ず保護メガネを着用してください。
- 作業中は、必ず作業服を着用してください。
- 作業中は、必ず作業靴を着用してください。
- 作業中は、必ず作業帽を着用してください。
- 作業中は、必ず作業手袋を着用してください。
- 作業中は、必ず作業マスクを着用してください。
- 作業中は、必ず作業マスクを着用してください。
- 作業中は、必ず作業マスクを着用してください。

© 2020 Husqvarna AB. All rights reserved. Husqvarna Service

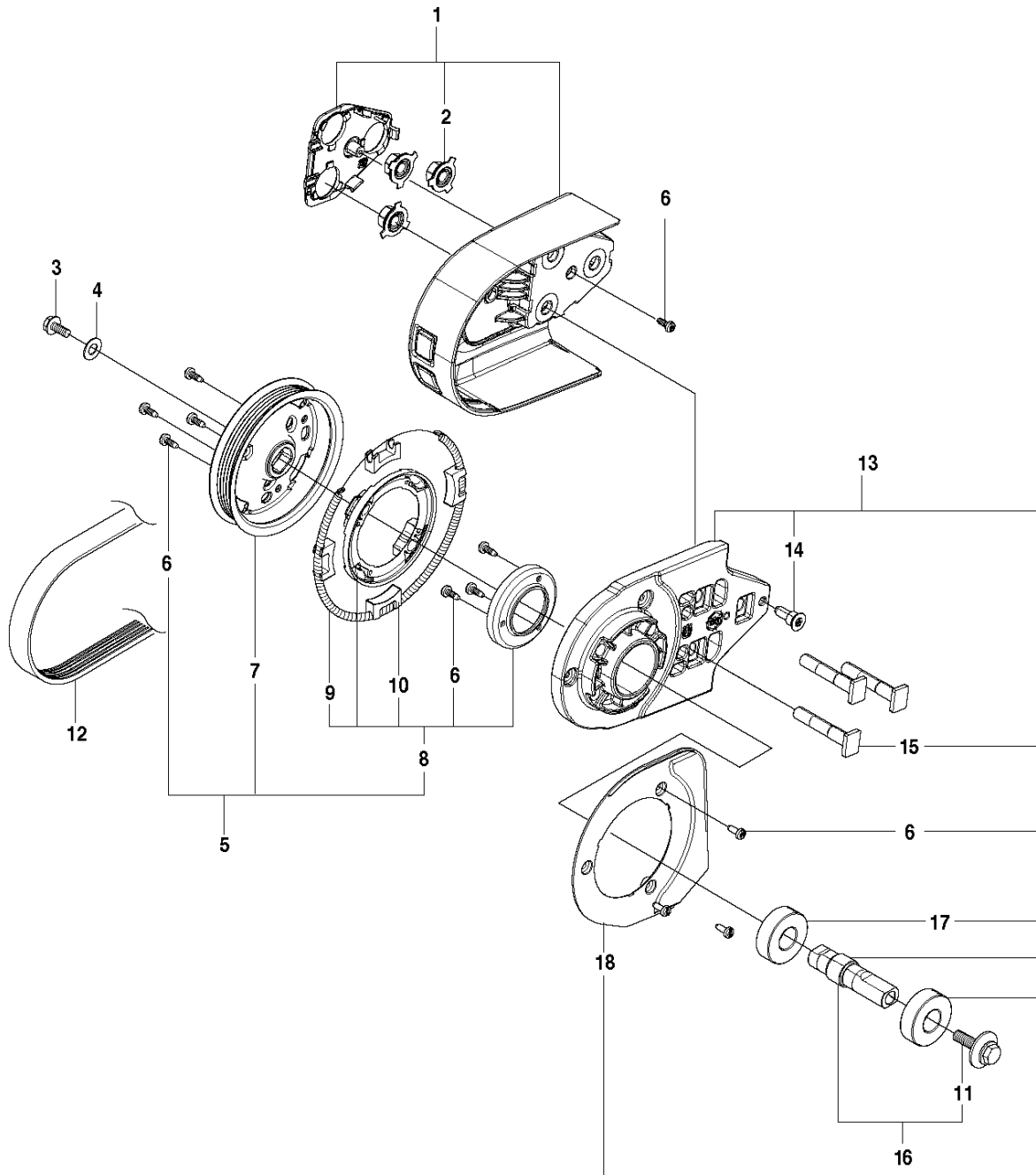
19

GUARDS

K 770 Smartguard, 2020-04

Ref	Part No	Description	Remark	QTY KIT
5	504 90 94-10	SCREW ITXSCT		1
6	581 62 03-01	STOP		1
7	584 43 77-01	DISC		1
8	584 43 83-01	SUPPORT FLANGE		1
9	583 87 44-02	FLANGE	Diam 105mm	2
9	506 07 09-02	FLANGE WASHER	"Diam 119mm, Japan 14""	2
10	578 39 82-01	BUSHING	Diam 20/25, 4mm	1
10	581 60 54-03	BUSHING	Diam 30, 5 mm	1
10	506 37 96-20	KIT	Diam 20 mm	1
10	506 37 96-22	KIT	Diam 22, 2 mm	1
11	590 50 38-01	SCREW		1
12	544 21 84-30	SCREW ITXSCM		4
13	584 43 82-02	SLEEVE	"14"" , Black"	4
14	584 43 81-01	SPRING		4
15	584 43 78-01	SHIM		2
16	584 43 79-01	LINING		1
17	584 43 80-01	LINING		1
18	581 11 77-06	DECAL	"14""	1
18	581 11 77-04	DECAL		1
19	584 99 26-02	DECAL	"14""	1
20	582 23 31-01	WASHER		4
21	582 23 32-01	WASHER		4

C K770
BELT GUARD & PULLEY

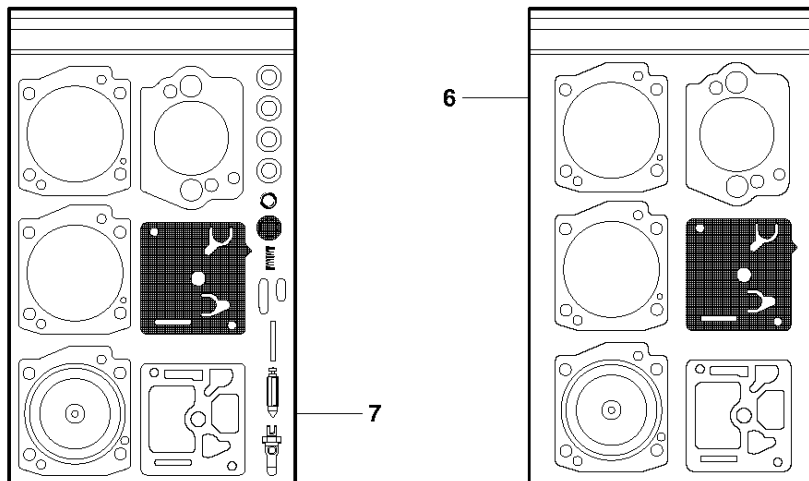
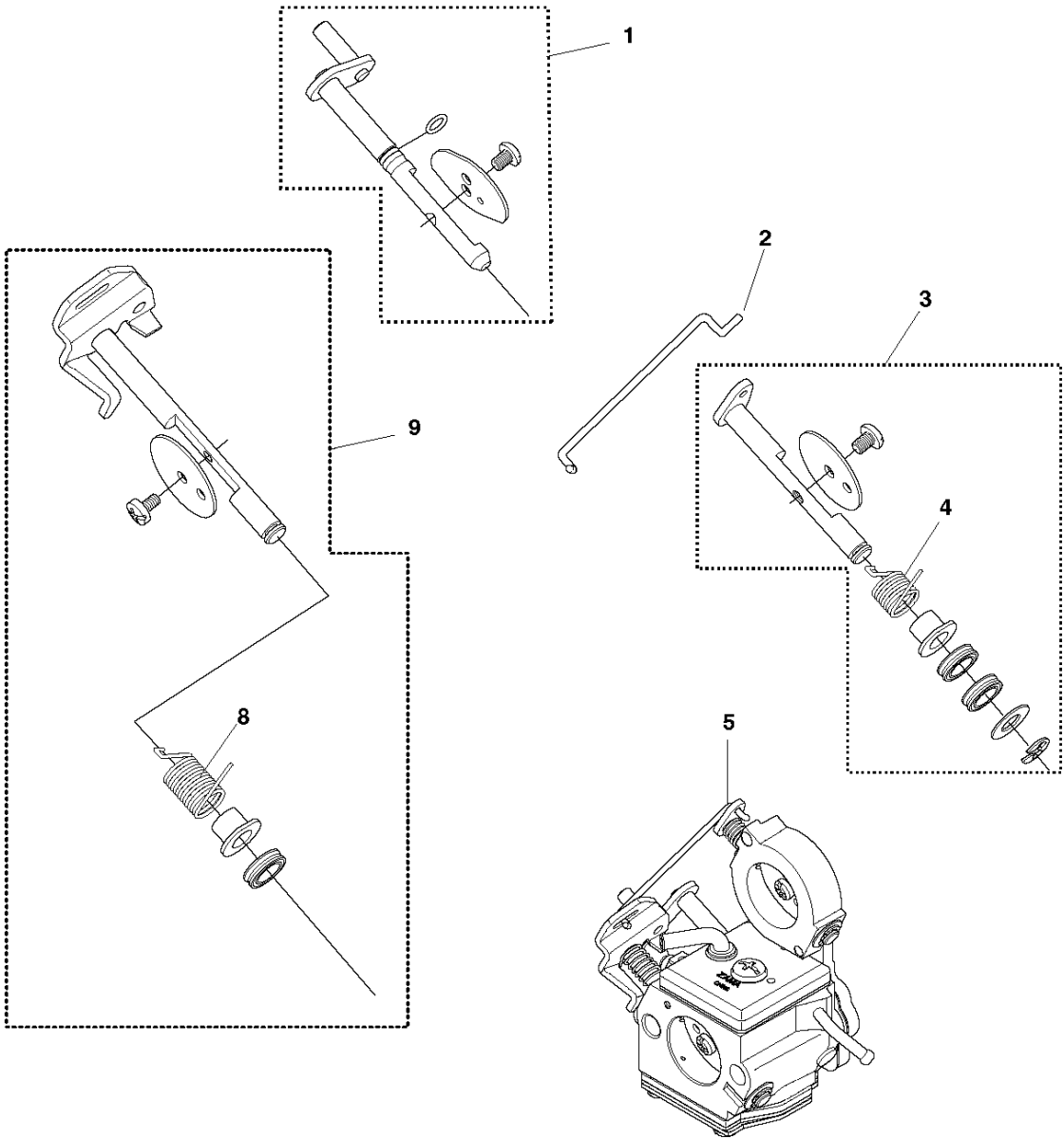


BELT GUARD & PULLEY

K 770 Smartguard, 2020-04

Ref	Part No	Description	Remark	QTY	KIT
1	501 05 71-03	BELT GUARD		1	2
2	586 74 37-01	NUT WASHER		3	1
3	503 20 00-45	SCREW EHHFM		1	
4	503 23 01-16	WASHER		1	
5	588 47 04-02	PULLEY ASSY		1	6, 7, 8
6	525 88 74-02	SCREW CITXPANT		11	
7	586 42 40-01	PULLEY		1	
8	505 44 54-05	CASSETTE		1	
9	544 44 10-01	DRAW SPRING		1	
10	544 44 04-02	BRAKE SHOE		4	
11	590 50 38-01	SCREW		1	
12	544 90 84-06	BELT		1	
13	588 99 20-01	BEARING HOUSING ASSY		1	6, 11, 13, 14, 15, 16, 17, 18
14	584 99 43-01	SCREW		1	
15	503 87 54-02	BAR BOLT		3	
16	588 99 24-03	SHAFT		1	
17	583 95 33-01	BALL BEARING		2	
18	586 80 10-02	SLIP RING HOLDER		1	

D K770
CARBURETOR

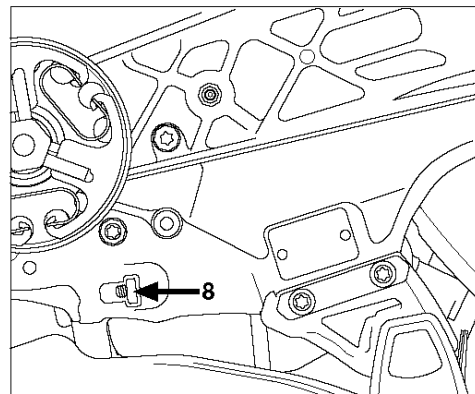
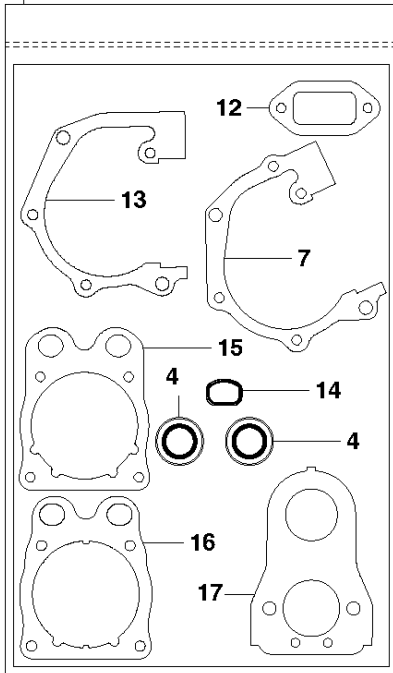
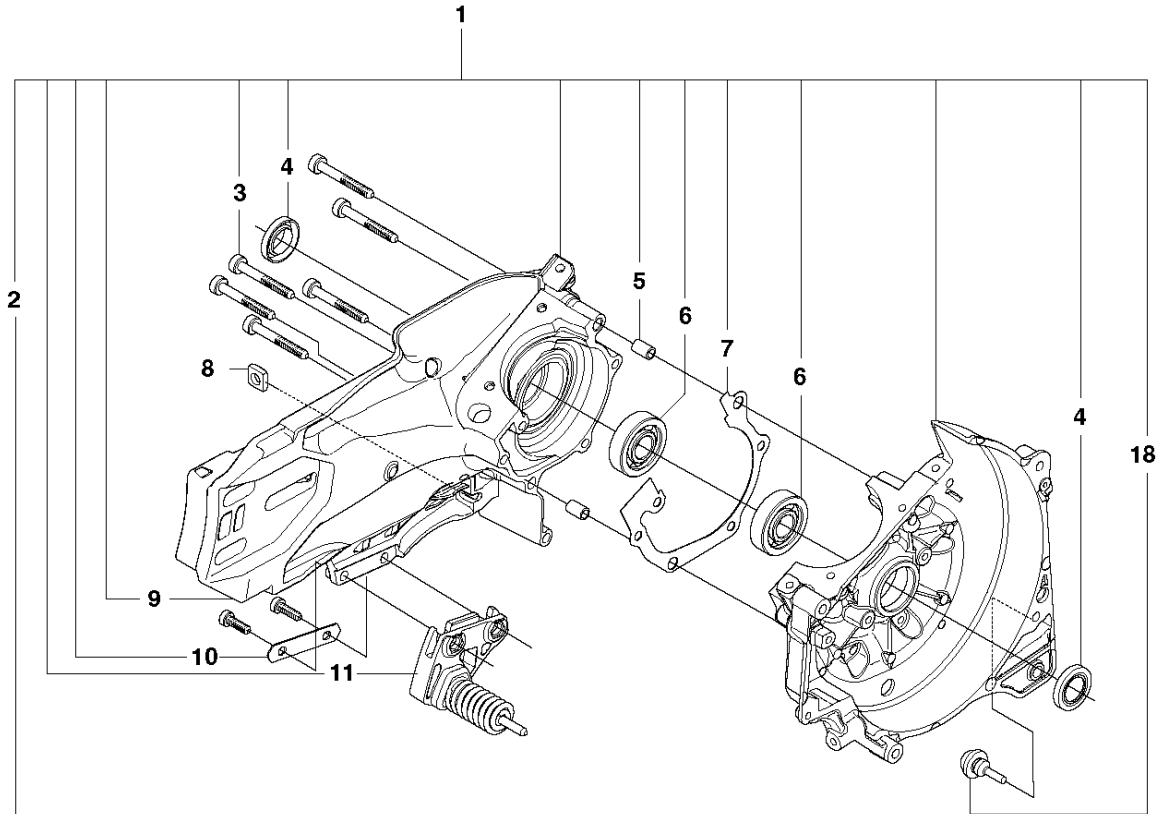


CARBURETOR

K 770 Smartguard, 2020-04

Ref	Part No	Description	Remark	QTY KIT
1	593 31 00-01	CHOKE SHAFT		1
2	506 39 65-01	ROD		1
3	593 33 29-01	VALVE KIT		1
4	506 39 75-01	SPRING		1
5	578 24 34-01	CARBURETTOR	Zama C3-EL53	1
6	506 40 99-02	GASKET KIT		1
7	506 41 00-04	GASKET KIT		1
8	544 83 65-01	SPRING		1
9	593 30 99-01	THROTTLE SHAFT		1

E K770
CRANKCASE

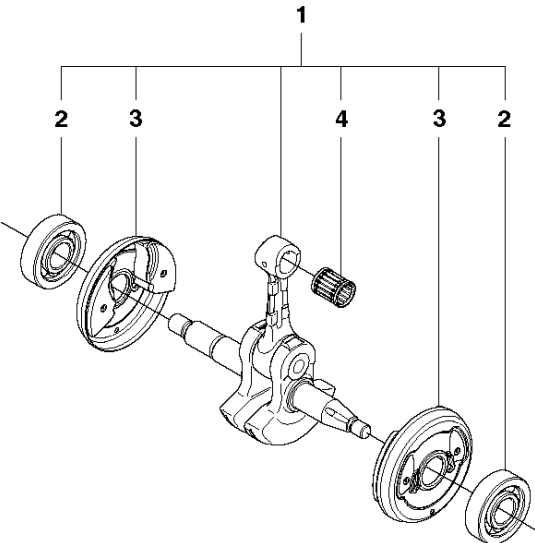


CRANKCASE

K 770 Smartguard, 2020-04

Ref	Part No	Description	Remark	QTY	KIT
1	593 28 25-01	CRANKCASE KIT	Incl. 2-7, 9-11, 18	1	
2	581 35 74-02	GASKET KIT	4, 7, 12-17	1	1
3	503 21 53-41	SCREW ITXSCM		6	1
4	503 26 02-04	SEALING RING		2	1
5	501 27 08-01	GUIDE BUSHING		2	1
6	738 22 02-25	BALL BEARING		2	1
7	506 37 70-03	GASKET	Six hole	1	1
8	503 22 65-04	SQUARE NUT		1	
9	503 21 53-16	SCREW ITXSCM		2	1
10	522 47 48-01	PLATE		1	1
11	522 47 57-02	SPRING RETAINER		1	1
12	588 91 51-01	HEAT DEFLECTOR		1	
13	506 37 70-02	GASKET	Five hole	1	
14	506 37 67-01	GASKET		1	
15	544 21 93-02	INSERT		1	
16	581 28 53-01	GASKET		1	
17	506 37 68-04	GASKET		1	
18	503 84 61-01	BUFFER		1	1
19	586 76 09-01	RUBBER SHOE		1	1

F K770
CRANKSHAFT

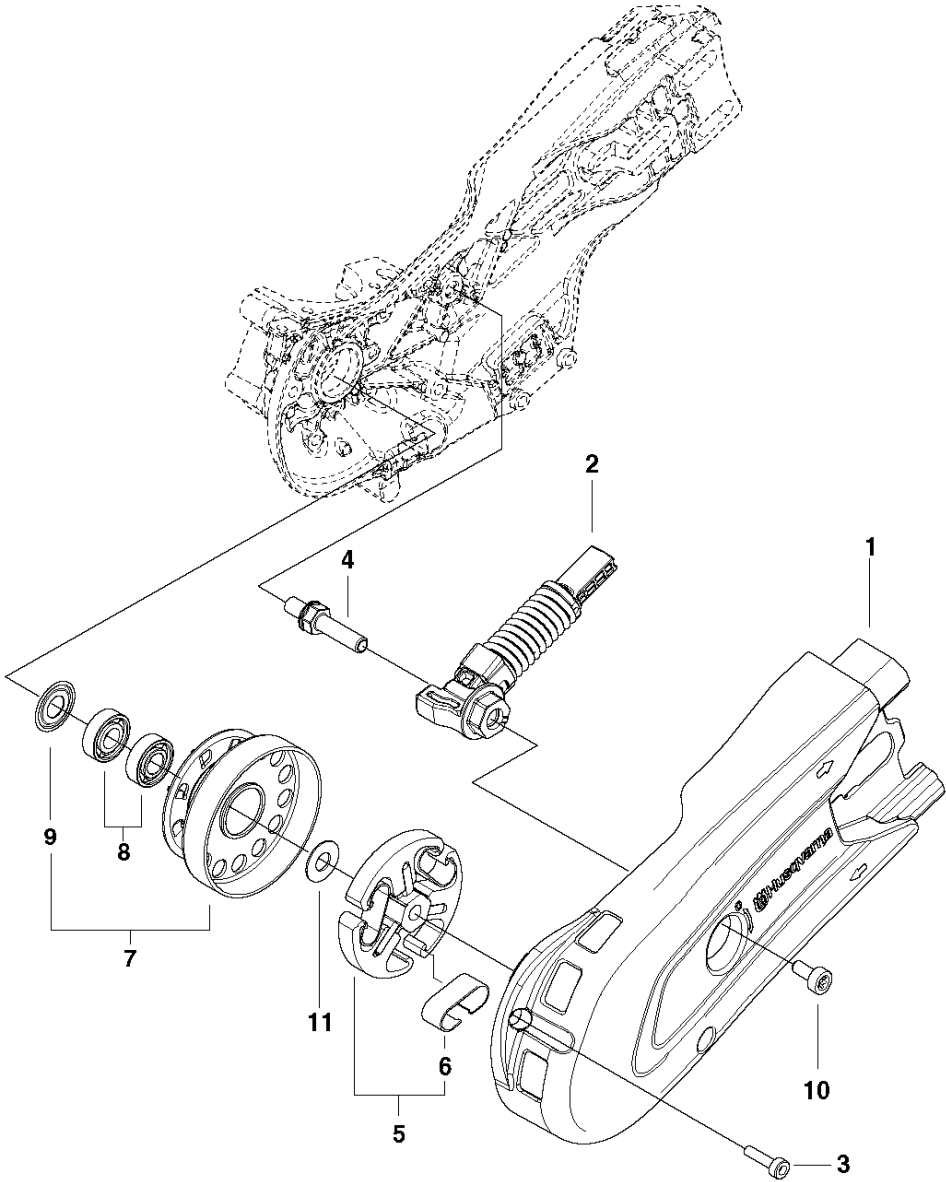


CRANKSHAFT

K 770 Smartguard, 2020-04

Ref	Part No	Description	Remark	QTY	KIT
1	502 29 50-02	CRANKSHAFT ASSY	Incl. 2 - 4	1	2, 3, 4
2	738 22 02-25	BALL BEARING		2	
3	537 20 33-01	CUP		2	
4	503 25 41-01	NEEDLE BEARING		1	

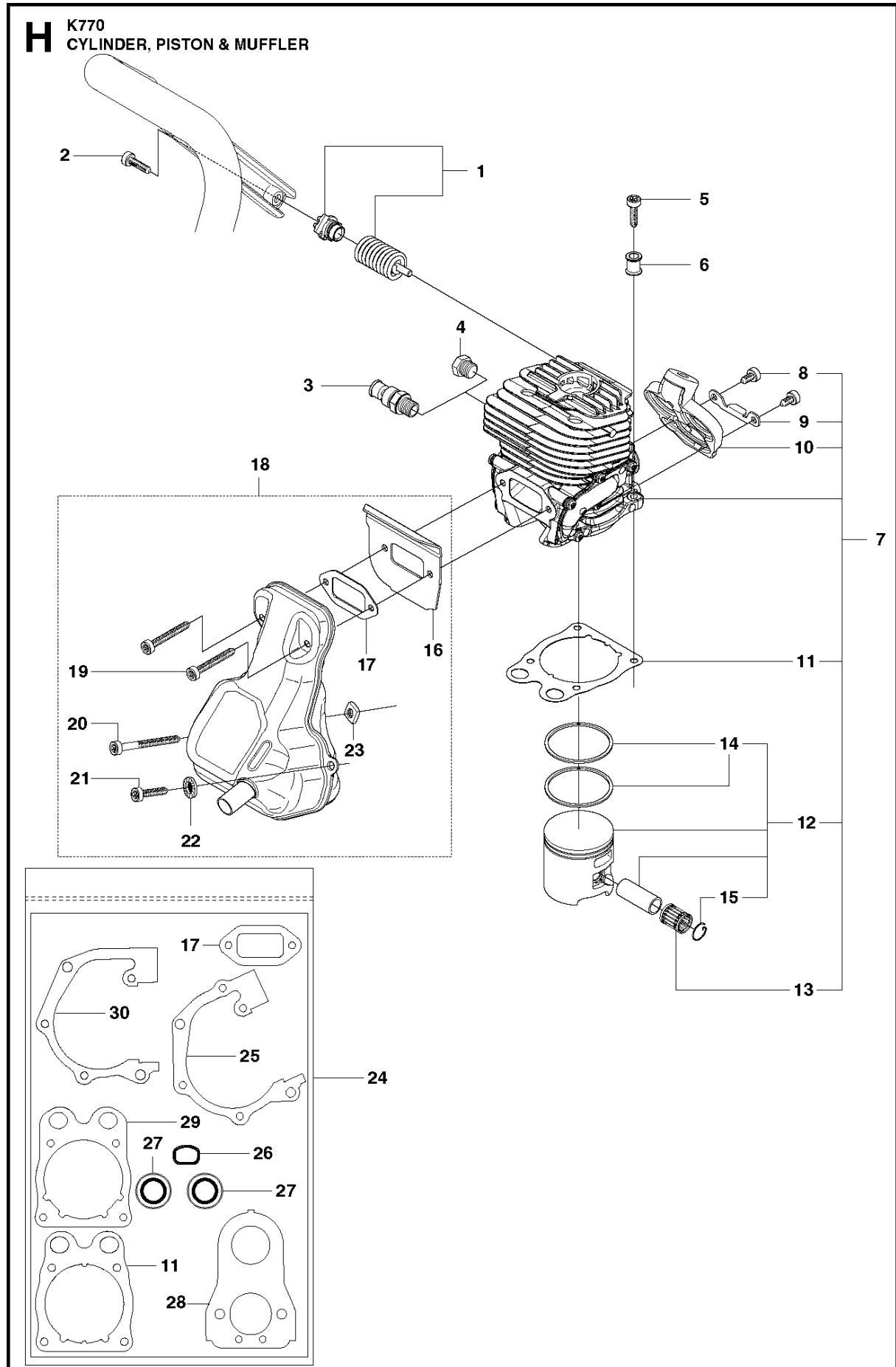
G K770
CLUTCH



CLUTCH

K 770 Smartguard, 2020-04

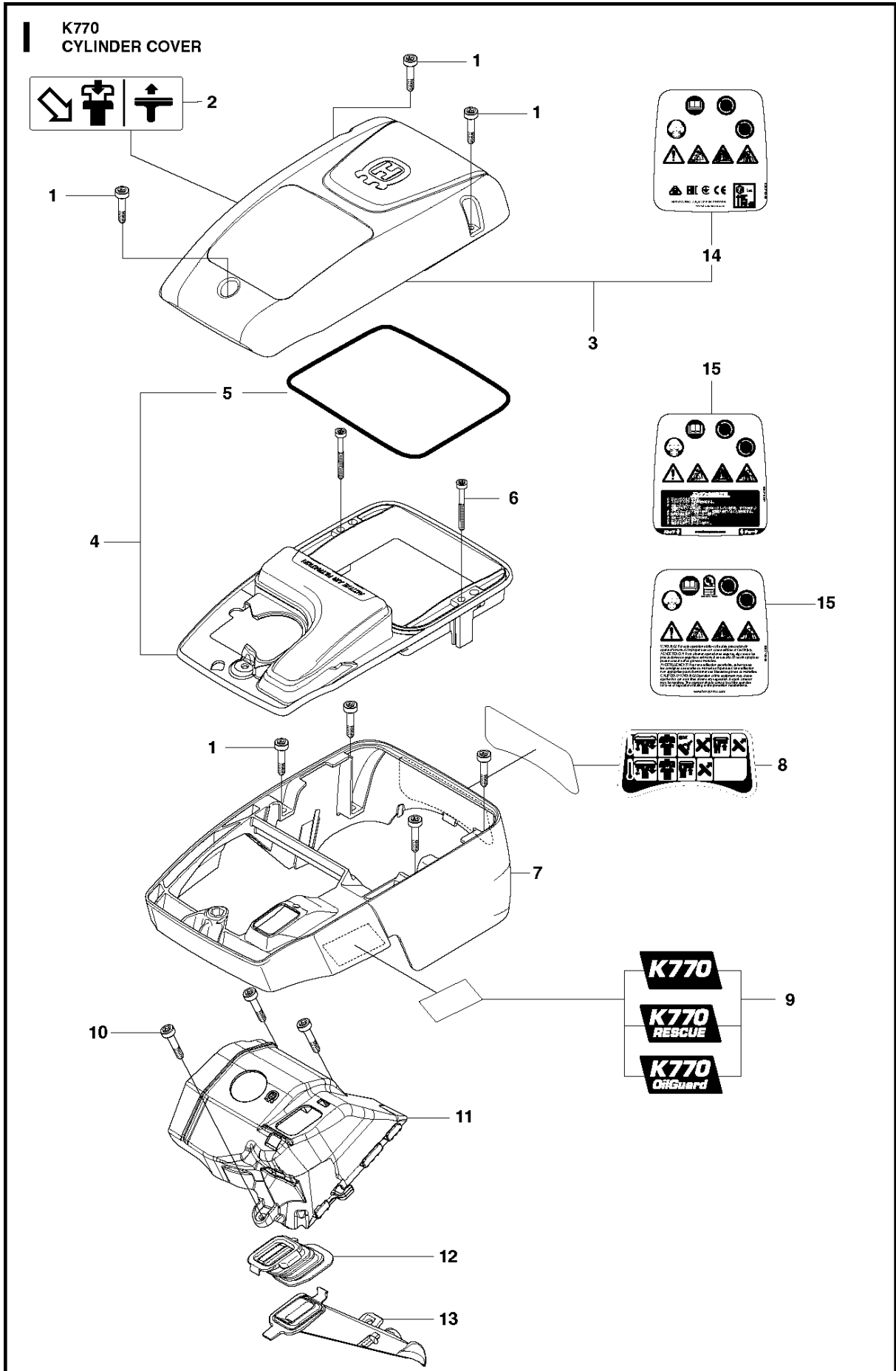
Ref	Part No	Description	Remark	QTY KIT
1	586 09 92-01	BELT GUARD		1
2	583 84 22-01	BELT TENSIONER ASSY		1
3	501 98 10-20	SCREW ITXSCM		2
4	583 85 16-01	PIVOT PIN		1
5	503 74 44-06	CLUTCH ASSY		1
6	503 74 43-01	CLUTCH SPRING		3
7	590 80 59-01	DRIVING PULLEY		1
8	525 83 18-01	BALL BEARING		2
9	506 31 69-01	DUST COVER		1
10	501 98 10-01	SCREW ITXSCM		1
11	503 23 00-70	WASHER		1



CYLINDER, PISTON & MUFFLER

K 770 Smartguard, 2020-04

Ref	Part No	Description	Remark	QTY KIT
1	579 74 42-02	ANTIVIBRATION ELEMENT		1
2	544 06 12-01	SCREW ITXSCM		1
3	503 71 53-01	DECOMPRESSION VALVE		1
4	503 55 22-01	PLUG		1
5	503 21 53-40	SCREW ITXSCM		4
6	576 71 76-02	SLEEVE		4
7	581 47 61-03	CYLINDER ASSY	Incl. 8 - 13	1
8	503 21 53-16	SCREW ITXSCM		2
9	506 36 88-01	BRACKET		1
10	574 23 18-01	PLATE		1
11	581 28 53-01	GASKET		1
12	506 37 24-03	PISTON ASSY	Incl. 14 - 15	1
13	503 25 56-01	NEEDLE BEARING		1
14	522 99 01-01	PISTON RING		2
15	737 43 12-00	SNAP RING		2
16	588 91 51-01	HEAT DEFLECTOR		1
17	588 93 25-01	GASKET		1
18	592 77 83-01	MUFFLER KIT	Incl. 16 -17, 19 - 23	1
19	503 21 53-40	SCREW ITXSCM		2
20	503 21 53-56	SCREW ITXSCM		1
21	503 21 53-25	SCREW ITXSCM		1
22	503 23 04-02	WASHER		1
23	581 77 48-01	NUT		1
24	581 35 74-02	GASKET KIT	Incl. 11, 17, 25 - 30	1
25	506 37 70-03	GASKET		1
26	544 21 93-02	INSERT		1
27	503 26 02-04	SEALING RING	Blue	2
28	506 37 68-04	GASKET		1
29	506 37 67-01	GASKET		1
30	506 37 70-02	GASKET		1



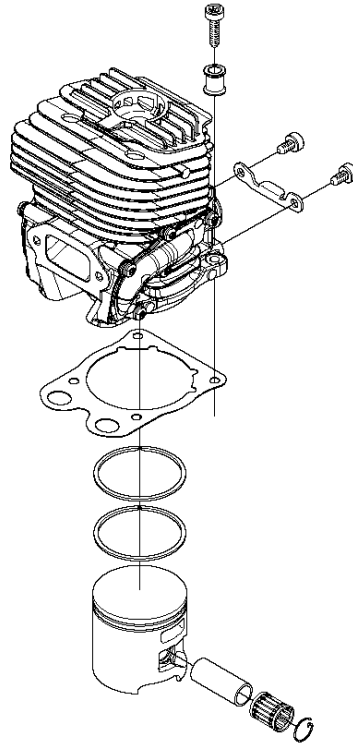
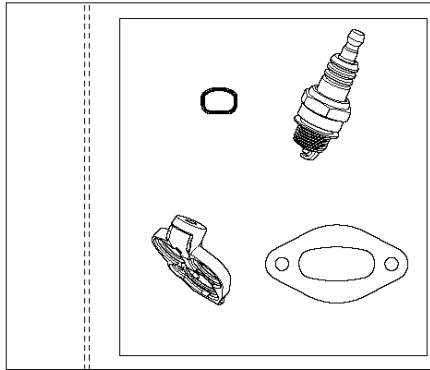
CYLINDER COVER

K 770 Smartguard, 2020-04

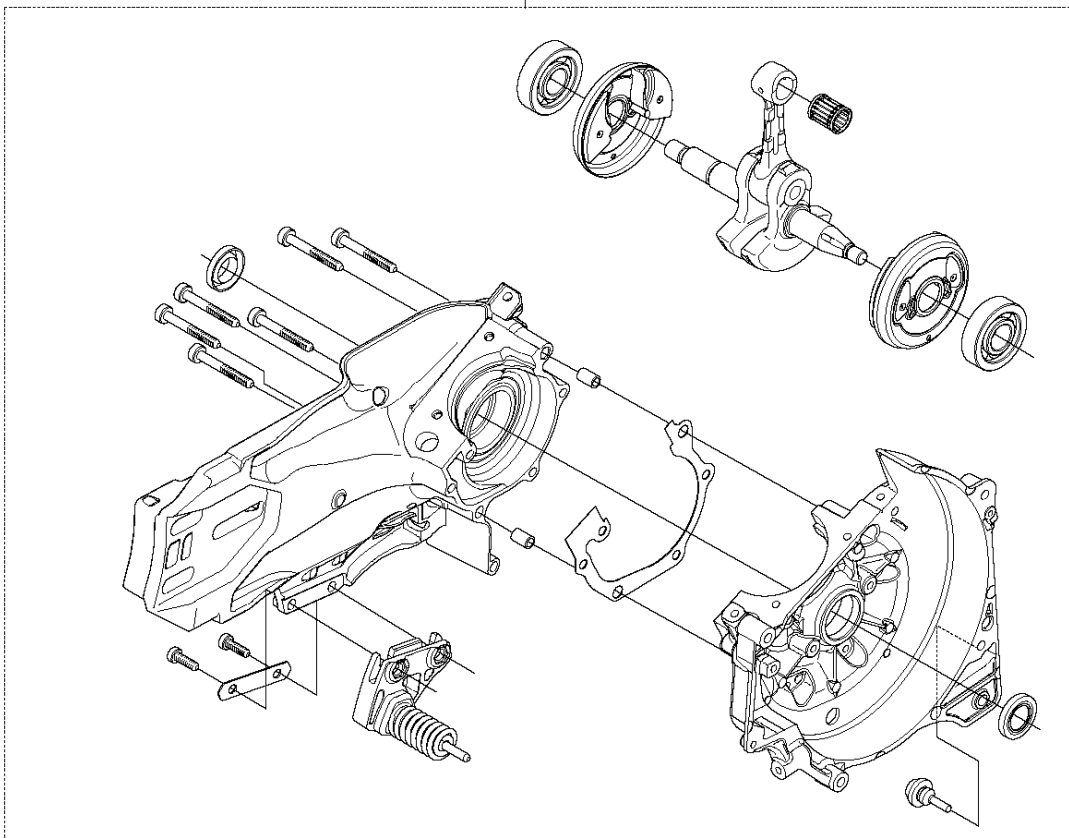
Ref	Part No	Description	Remark	QTY KIT
1	503 21 53-21	SCREW ITXSCM		7
2	525 76 35-02	DECAL		1
3	583 96 52-08	FILTER COVER ASSY	incl. 14	1
4	574 36 21-03	FILTER HOLDER ASSY	Incl. 5	1
4	574 36 21-04	FILTER HOLDER ASSY	Incl. 5. OIL GUARD	1
5	575 35 50-01	SEALING STRIP		1
6	503 21 53-49	SCREW ITXSCM		2
7	506 36 70-03	CYLINDER COVER		1
8	579 24 03-01	DECAL		1
9	574 23 16-05	DECAL		1
9	574 23 16-07	DECAL	Rescue	1
9	574 23 16-06	DECAL	Oil Guard	1
10	501 98 10-20	SCREW ITXSCM		3
11	574 45 94-01	COVER		1
12	587 93 30-02	BELLOWS		1
13	525 58 43-01	AIR NOZZLE		1
14	586 37 93-06	DECAL	Generic	1
15	586 37 93-05	DECAL		1
15	586 37 93-07	DECAL	Japan Only	1

J K770
ENGINE KIT

1



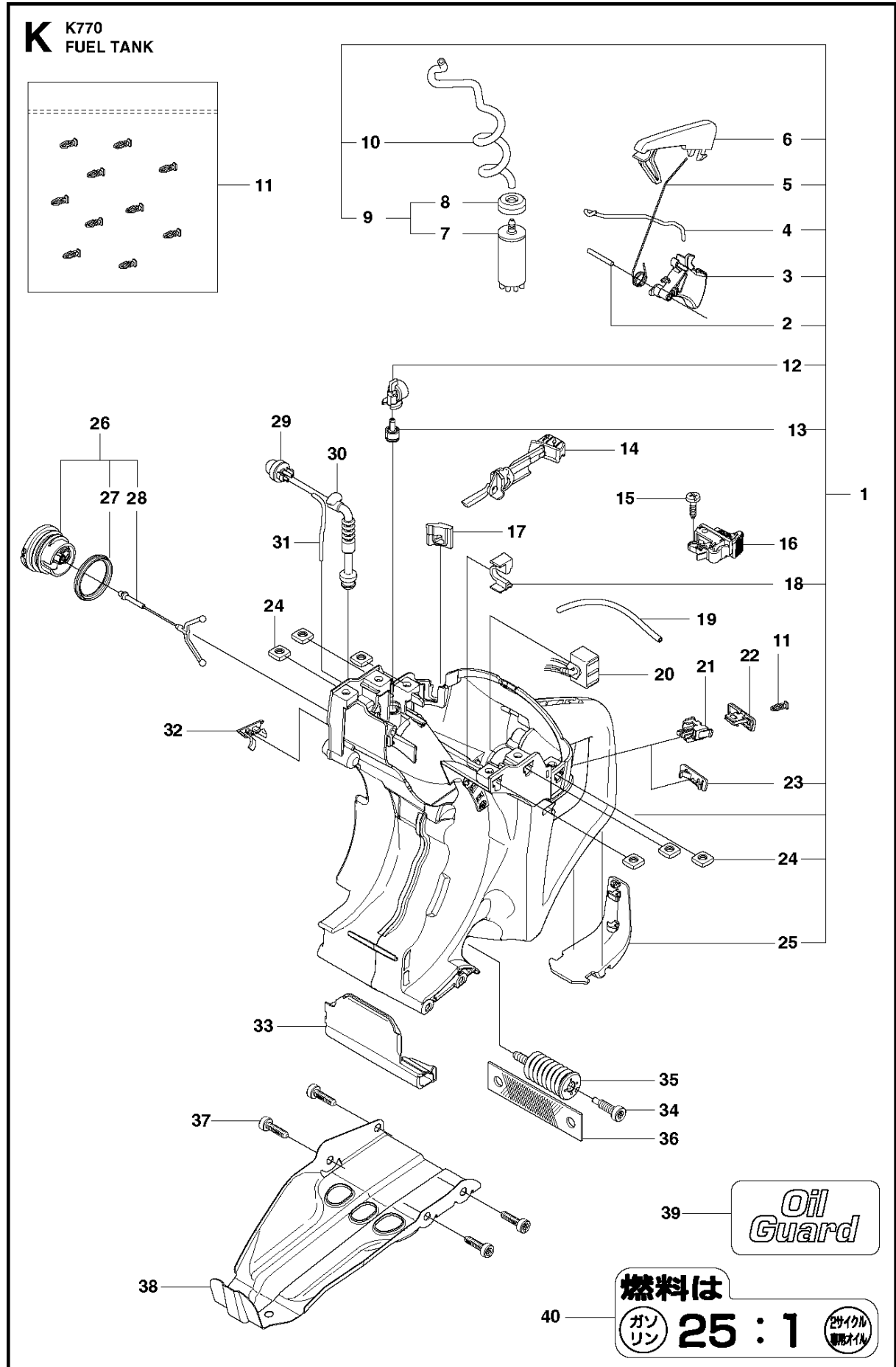
2



ENGINE

K 770 Smartguard, 2020-04

Ref	Part No	Description	Remark	QTY	KIT
1	593 28 25-03	CRANKCASE KIT		1	1
2	593 28 25-02	CRANKCASE KIT		1	

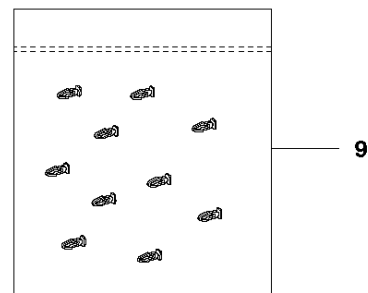
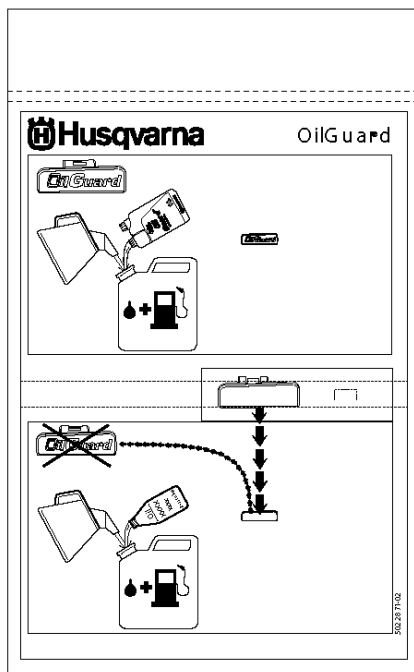
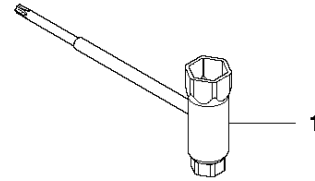
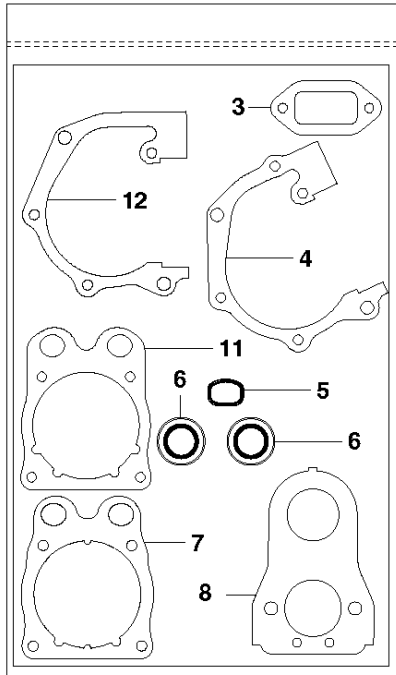


FUEL TANK

K 770 Smartguard, 2020-04

Ref	Part No	Description	Remark	QTY KIT
1	593 28 18-01	FUEL TANK ASSY	Incl. 2 - 10, 12-13, 18, 23-25	1
2	720 12 40-20	PARALLEL PIN		2
3	588 08 62-01	THROTTLE CONTROL		1
4	579 37 92-01	THROTTLE ROD		1
5	587 74 60-01	SPRING		1
6	588 13 77-01	THROTTLE LOCKOUT		1
7	506 26 41-01	FUEL FILTER		1
8	506 27 11-01	HOSE CLAMP		1
9	506 26 41-11	FUEL FILTER	Incl. 7 - 8	1
10	581 75 62-03	FUEL HOSE		1
10	581 75 62-02	FUEL HOSE	Oil Guard	1
11	502 23 33-01	KIT	Oil Guard. Incl. 10 pins	1
12	577 31 35-01	TANK VENT ASSY		1
13	501 15 29-01	TANK VENT ASSY		1
14	544 22 90-02	CHOKE CONTROL		1
15	525 88 74-02	SCREW CITXPANT		1
16	506 31 86-04	STOP SWITCH		1
17	506 37 80-01	GROMMET		1
18	544 39 32-01	HOSE CLIP		1
19	581 75 61-17	FUEL HOSE		1
20	544 38 41-02	ELECTRONIC BOX		1
21	501 01 88-01	HOUSING		1
22	501 01 94-01	SWITCH		1
23	501 37 13-01	LID		1
24	581 77 48-01	NUT		6
25	588 19 82-01	GROUND SUPPORT		1
26	522 62 00-03	TANK CAP ASSY		1
27	589 24 11-01	GASKET		1
28	503 57 89-01	HOLDER		1
29	540 05 49-01	PURGE		1
30	505 19 52-01	FUEL HOSE		1
31	537 04 24-14	FUEL HOSE		1
32	506 39 46-02	HUB CAP		1
33	506 38 15-01	HEAT SHIELD		1
34	544 06 12-01	SCREW ITXSCM		1
35	537 21 03-12	ANTIVIBRATION ELEMENT		1
36	544 23 82-01	BAND		1
37	503 21 54-20	SCREW ITXSCT		4
38	506 37 19-02	BASEPLATE		1
39	581 09 54-02	DECAL	Oil Guard	1
40	506 31 30-01	LABEL	Japan Only	1

L K770
GASKET KIT



2

1

10

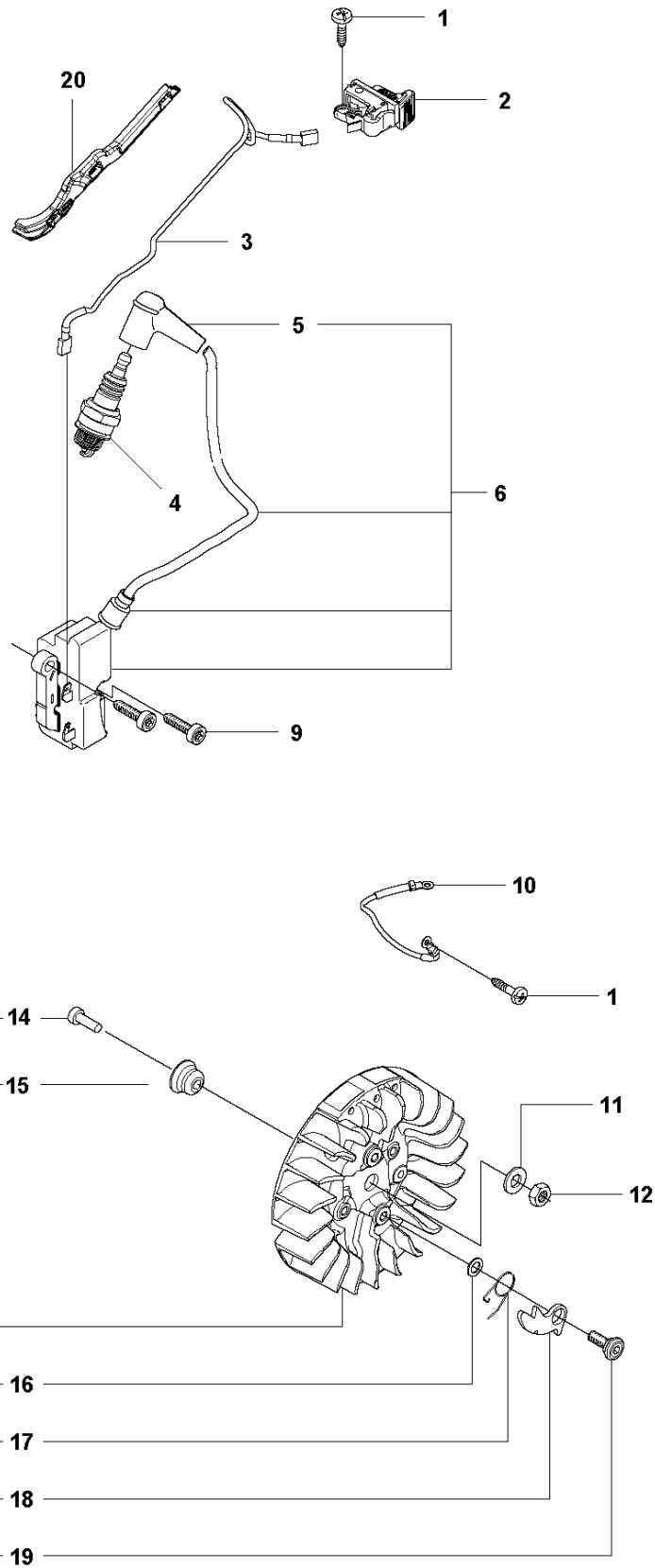
9

GASKET KIT

K 770 Smartguard, 2020-04

Ref	Part No	Description	Remark	QTY KIT
1	506 38 26-01	TOOL		1
2	581 35 74-02	GASKET KIT	Incl. 3-8, 11-12	1
3	588 93 25-01	GASKET		1
4	506 37 70-03	GASKET		1
5	544 21 93-02	INSERT		1
6	503 26 02-04	SEALING RING	Blue	2
7	581 28 53-01	GASKET		1
8	506 37 68-04	GASKET		1
9	502 23 33-01	KIT	Incl. 10 Pins	1
10	502 28 70-03	KIT		1
11	506 37 67-01	GASKET		1
12	506 37 70-02	GASKET		1

M K770 SMARTGUARD
IGNITION SYSTEM

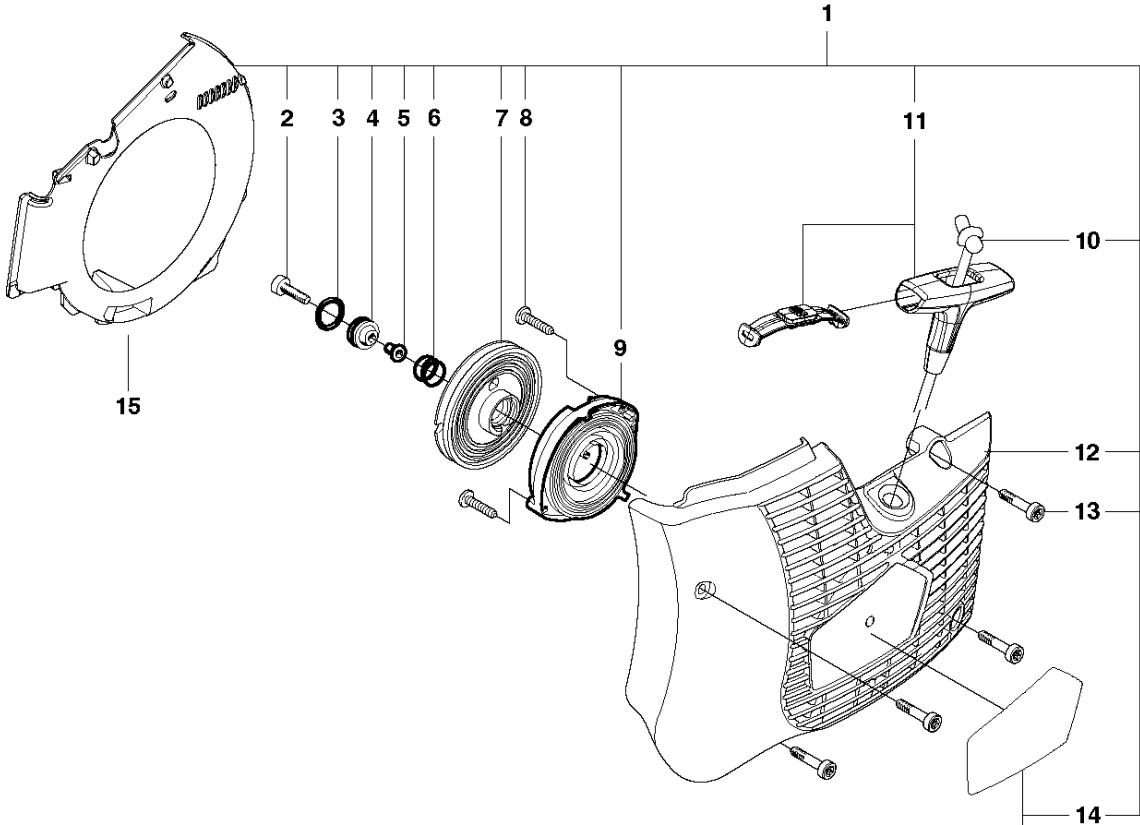


IGNITION SYSTEM

K 770 Smartguard, 2020-04

Ref	Part No	Description	Remark	QTY	KIT
1	525 88 74-02	SCREW CITXPANT		2	
2	506 31 86-04	STOP SWITCH		1	
3	586 49 72-01	CABLE		1	
4	503 23 51-11	SPARK PLUG	RCJ 6 Y	1	
5	590 50 45-01	SPARK PLUG CAP		1	6
6	594 72 96-01	IGNITION MODULE ASSY		1	
9	505 57 41-20	SCREW ITXSCM		2	
10	506 37 85-01	CABLE		1	
11	503 23 01-01	WASHER		1	
12	503 22 10-11	HEXAGON NUT	Incl. 14 - 19	1	
13	587 70 21-02	FLYWHEEL ASSY		1	
14	725 53 29-56	SCREW IHSCM		1	
15	574 25 09-01	WEIGHT		1	
16	503 23 00-42	WASHER		2	
17	576 49 26-01	SPRING		2	
18	501 67 32-03	PAWL		2	
19	506 00 69-01	SCREW		2	
20	544 38 49-01	CABLE	Oil Guard	1	
20	577 24 28-01	CABLE HOLDER		1	

N K770
STARTER

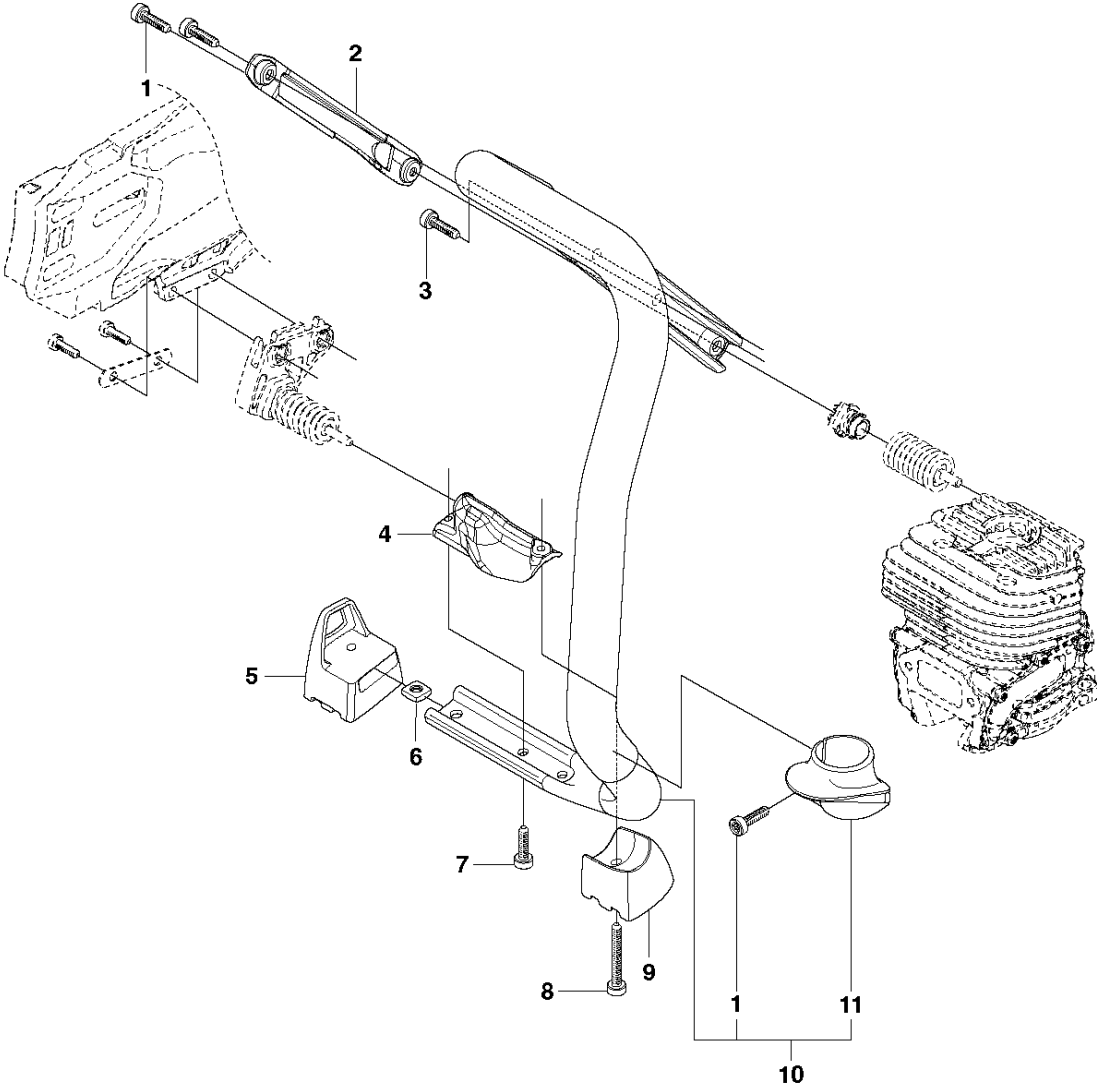


STARTER

K 770 Smartguard, 2020-04

Ref	Part No	Description	Remark	QTY KIT
1	584 88 68-04	STARTER ASSY	Incl. 2-14	1
2	510 26 92-22	SCREW ITXSCT		1
3	740 43 13-00	O-RING		1
4	510 00 08-01	SEALING		1
5	506 26 31-01	SPACING SLEEVE		1
6	506 25 30-01	COMPRESSION SPRING		1
7	588 15 58-01	STARTER PULLEY		1
8	525 88 74-02	SCREW CITXPANT		2
9	596 29 31-01	RECOIL SPRING		1
10	506 33 56-15	CORD		1
10	506 33 56-50	STARTER CORD	50 m	1
11	584 25 79-02	STARTER HANDLE ASSY		1
12	525 44 60-01	STARTER COVER		1
13	501 98 10-20	SCREW ITXSCM		4
14	525 57 11-01	DECAL		1
15	501 85 94-01	COOLING AIR CONDUCTOR		1

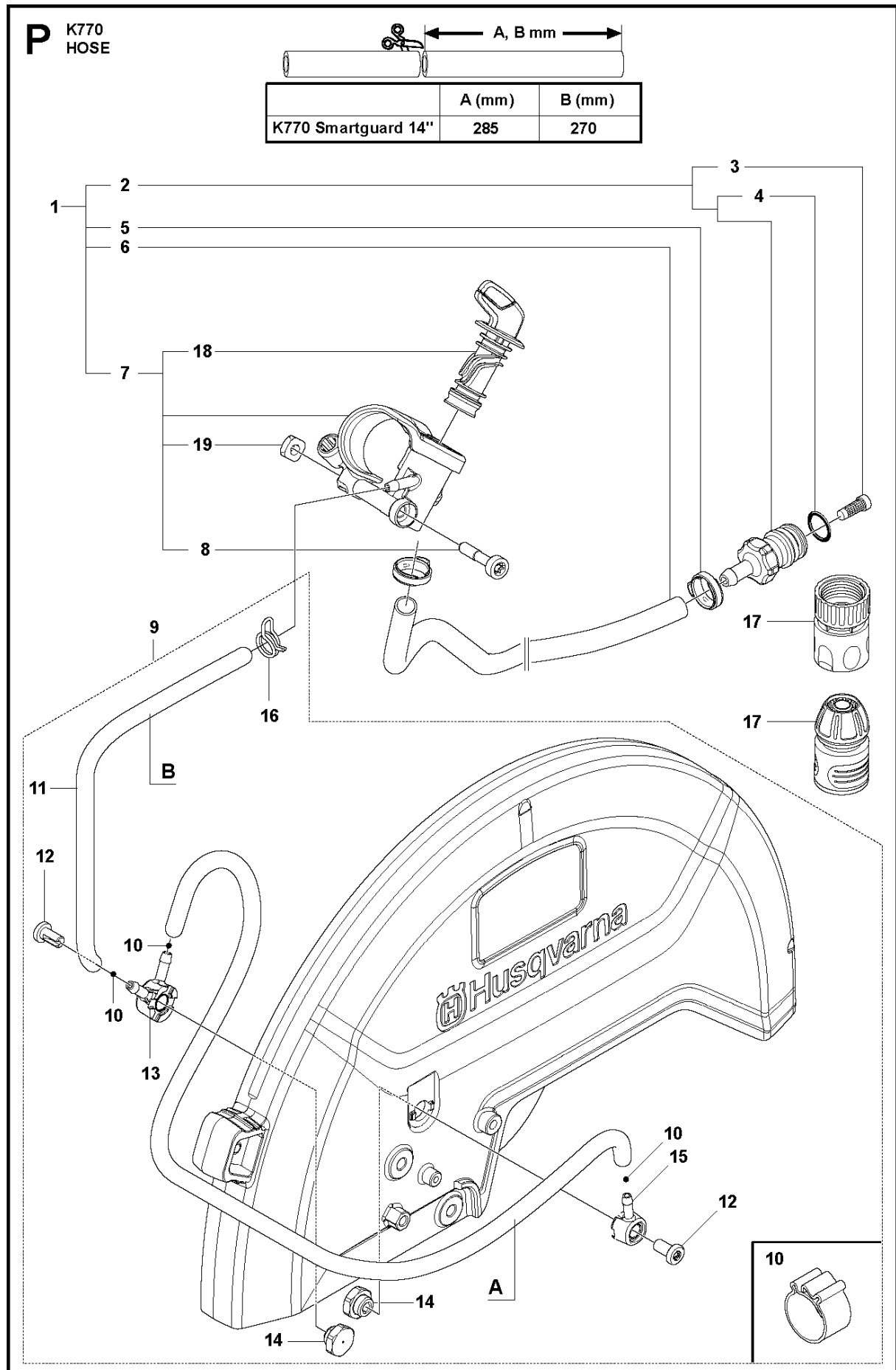
O K770
GROUND SUPPORT



GROUND SUPPORT

K 770 Smartguard, 2020-04

Ref	Part No	Description	Remark	QTY KIT
1	503 21 54-20	SCREW ITXSCT		3
2	577 98 16-02	HOSE GUARD		1
3	544 06 12-01	SCREW ITXSCM		1
4	575 26 77-01	SPRING RETAINER		1
5	522 83 23-01	GROUND SUPPORT		1
6	503 22 65-04	SQUARE NUT		1
7	503 21 53-10	SCREW ITXSCM		3
8	503 21 53-40	SCREW ITXSCM		1
9	522 83 24-01	GROUND SUPPORT		1
10	581 11 06-09	HANDLE ASSY	Incl. 1,11	1
11	506 38 71-02	STOP		1
12	503 21 53-12	SCREW ITXSCM	"12""	1
13	593 87 63-01	WEIGHT	"12""	1



HOSE

K 770 Smartguard, 2020-04

Ref	Part No	Description	Remark	QTY KIT
1	581 47 62-12	HOSE KIT	Incl. 2, 5 - 7 & Hose Guard	1
2	581 47 83-01	NIPPLE	Incl. 3, 4	1
3	506 29 88-01	FILTER		1
4	505 10 35-01	O-RING		1
5	581 78 35-01	HOSE CLAMP		2
6	578 19 81-01	HOSE		1
7	578 24 33-02	VALVE ASSY	Incl. 8, 18, 19	1
8	503 21 53-41	SCREW ITXSCM		1
9	581 72 15-02	HOSE KIT	Incl. 10 - 16	1
10	506 49 87-04	HOSE CLAMP		3
11	578 19 83-05	HOSE	800 mm	1
12	504 63 46-02	SCREW ITXSCM		2
13	578 19 07-01	HOUSING		1
14	576 79 84-03	NIPPLE		2
15	578 19 08-01	HOUSING		1
16	583 83 30-01	HOSE CLAMP		1
17	503 26 60-03	COUPLER	USA, Canada	1
17	503 26 60-04	COUPLER		1
19	503 22 65-04	SQUARE NUT		1
18	581 35 70-01	LEVER ASSY	With O-rings	1