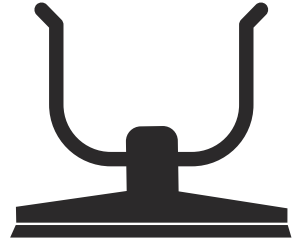




 **Husqvarna**[®]



BV 30i

Contents

Introduction.....	2	Troubleshooting.....	14
Safety.....	4	Transportation, storage and disposal.....	15
To assemble the product.....	9	Technical data.....	17
Assembly.....	10	Accessories.....	18
Operation.....	10	Declaration of Conformity.....	20
Maintenance.....	13		

Introduction

Product description

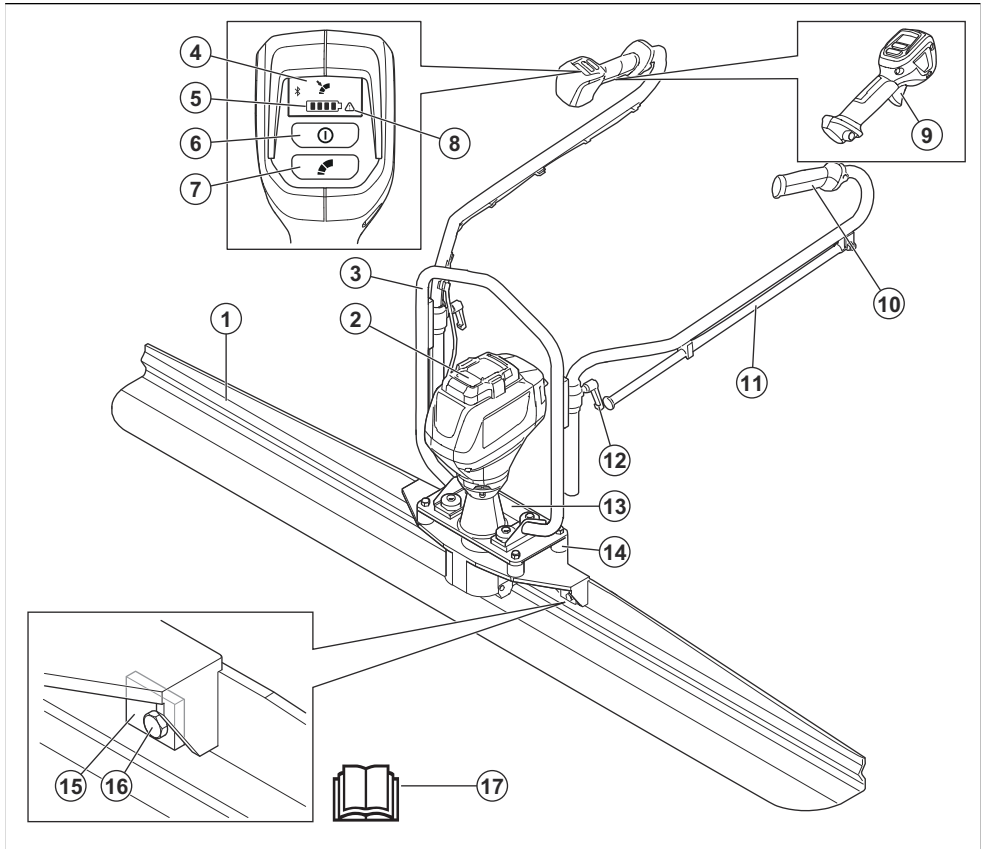
The product BV 30i is a walk-behind concrete screed with vibration. The power is supplied by a battery.

For concrete layers maximum 100 mm thick, no other vibration method is necessary before you use the product.

Intended use

The product is for professional operation only. The product is used for consolidation and levelling of wet concrete. The product floats on top of the wet concrete.

Product overview



1. Beam
2. Battery
3. Frame
4. Display
5. Battery indicator
6. ON/OFF button
7. Cruise control button
8. Warning indicator
9. Power trigger
10. Handle
11. Support
12. Lock levers for the handle
13. Rating plate
14. Vibration damping unit
15. Square washer
16. M12 screw
17. Operator's manual

Symbols on the product



WARNING: This product can be dangerous and cause serious injury or death to the operator or others. Be careful and use the product correctly.



Read the manual carefully and make sure that you understand the instructions before you use the product.



Use hearing protection.



Use protective gloves.



Lifting point on the product.

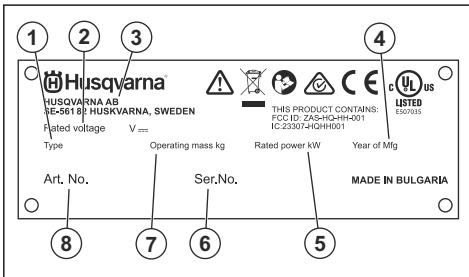


This product is in compliance with applicable EC directives.

WARNING: Only use BLI300 battery or see manual for other batteries.
ADVERTENCIA: Utilice únicamente la batería BLI300 o consulte el manual para otras baterías.
AVERTISSEMENT: Utilisez uniquement la batterie BLI300 ou consultez le manuel pour les autres batteries.

Note: Other symbols/decals on the product refer to special certification requirements for some markets.

Rating plate



1. Product type
2. Rated voltage
3. Manufacturer
4. Month and year of production
5. Rated power
6. Serial number
7. Operating mass weight
8. Product number

Product damage

We are not responsible for damages to our product if:

- the product is incorrectly repaired.
- the product is repaired with parts that are not from the manufacturer or not approved by the manufacturer.
- the product has an accessory that is not from the manufacturer or not approved by the manufacturer.
- the product is not repaired at an approved service center or by an approved authority.

Safety

Safety definitions

Warnings, cautions and notes are used to point out specially important parts of the manual.



WARNING: Used if there is a risk of injury or death for the operator or bystanders if the instructions in the manual are not obeyed.



CAUTION: Used if there is a risk of damage to the product, other materials or the adjacent area if the instructions in the manual are not obeyed.

Note: Used to give more information that is necessary in a given situation.

General power tool safety warnings



WARNING: Read all safety warnings, instructions, illustrations and specifications provided with this power tool. Failure to follow all instructions listed below may result in electric shock, fire and/or serious injury.

- **Save all warnings and instructions for future reference.** The term "power tool" in the warnings refers to your mains-operated (corded) power tool or battery-operated (cordless) power tool.

Work area safety

- **Keep work area clean and well lit.** Cluttered or dark areas invite accidents.
- **Do not operate power tools in explosive atmospheres, such as in the presence of flammable**

liquids, gases or dust. Power tools create sparks which may ignite the dust or fumes.

- **Keep children and bystanders away while operating a power tool.** Distractions can cause you to lose control.

Electrical safety

- **Power tool plugs must match the outlet. Never modify the plug in any way. Do not use any adapter plugs with earthed (grounded) power tools.** Unmodified plugs and matching outlets will reduce risk of electric shock.
- **Avoid body contact with earthed or grounded surfaces, such as pipes, radiators, ranges and refrigerators.** There is an increased risk of electric shock if your body is earthed or grounded.
- **Do not expose power tools to rain or wet conditions.** Water entering a power tool will increase the risk of electric shock.
- **Do not abuse the cord. Never use the cord for carrying, pulling or unplugging the power tool. Keep cord away from heat, oil, sharp edges or moving parts.** Damaged or entangled cords increase the risk of electric shock.
- **When operating a power tool outdoors, use an extension cord suitable for outdoor use.** Use of a cord suitable for outdoor use reduces the risk of electric shock.
- **If operating a power tool in a damp location is unavoidable, use a residual circuit interrupter (RCD) protected supply.** Use of a RCD reduces the risk of electric shock

Personal safety

- **Stay alert, watch what you are doing and use common sense when operating a power tool. Do not use a power tool while you are tired or under the influence of drugs, alcohol or medication.** A moment of inattention while operating power tools may result in serious personal injury.
- **Use personal protective equipment. Always wear eye protection.** Protective equipment such as dust mask, non-skid safety shoes, hard hat or hearing protection used for appropriate conditions will reduce personal injuries.
- **Prevent unintentional starting. Ensure the switch is in the off-position before connecting to power source, picking up or carrying the tool.** Carrying power tools with your finger on the switch or energising power tools that have the switch on invites accidents.
- **Remove any adjusting key or wrench before turning the power tool on.** A wrench or a key left attached to a rotating part of the power tool may result in personal injury.
- **Do not overreach. Keep proper footing and balance at all times.** This enables better control of the power tool in unexpected situations.
- **Dress properly. Do not wear loose clothing or jewellery. Keep your hair and clothing away from**

moving parts. Loose clothes, jewellery or long hair can be caught in moving parts.

- **If devices are provided for the connection of dust extraction and collection facilities, ensure these are connected and properly used.** Use of dust collection can reduce dust-related hazards.
- **Do not let familiarity gained from frequent use of tools allow you to become complacent and ignore tool safety principles.** A careless action can cause severe injury within a fraction of a second.

Power tool use and care

- **Do not force the power tool. Use the correct power tool for your application.** The correct power tool will do the job better and safer at the rate for which it was designed.
- **Do not use the power tool if the switch does not turn it on and off.** Any power tool that cannot be controlled with the switch is dangerous and must be repaired.
- **Disconnect the plug from the power source and/or remove the battery pack, if detachable, from the power tool before making any adjustments, changing accessories, or storing power tools.** Such preventive safety measures reduce the risk of starting the power tool accidentally.
- **Store idle power tools out of the reach of children and do not allow persons unfamiliar with the power tool or these instructions to operate the power tool.** Power tools are dangerous in the hands of untrained users.
- **Maintain power tools and accessories. Check for misalignment or binding of moving parts, breakage of parts and any other condition that may affect the power tool's operation. If damaged, have the power tool repaired before use.** Many accidents are caused by poorly maintained power tools.
- **Keep cutting tools sharp and clean.** Properly maintained cutting tools with sharp cutting edges are less likely to bind and are easier to control.
- **Use the power tool, accessories and tool bits etc. in accordance with these instructions, taking into account the working conditions and the work to be performed.** Use of the power tool for operations different from those intended could result in a hazardous situation.
- **Keep handles and grasping surfaces dry, clean and free from oil and grease.** Slippery handles and grasping surfaces do not allow for safe handling and control of the tool in unexpected situations.

Battery tool use and care

- **Recharge only with the charger specified by the manufacturer.** A charger that is suitable for one type of battery pack may create a risk of fire when used with another battery pack.
- **Use power tools only with specifically designated battery packs.** Use of any other battery packs may create a risk of injury and fire.

- **When battery pack is not in use, keep it away from other metal objects, like paper clips, coins, keys, nails, screws or other small metal objects, that can make a connection from one terminal to another.** Shorting the battery terminals together may cause burns or a fire.
- **Under abusive conditions, liquid may be ejected from the battery; avoid contact. If contact accidentally occurs, flush with water. If liquid contacts eyes, additionally seek medical help.** Liquid ejected from the battery may cause irritations or burns.
- **Do not use a battery pack or tool that is damaged or modified.** Damaged or modified batteries may exhibit unpredictable behaviour resulting in fire, explosion or risk of injury.
- **Do not expose a battery pack or tool to fire or excessive temperature.** Exposure to fire or temperature above 130 °C / 266 °F may cause explosion.
- **Follow all charging instructions and do not charge the battery pack or tool outside the temperature range specified in the instructions.** Charging improperly or at temperatures outside the specified range may damage the battery and increase the risk of fire.
- Make sure that there is no grease or oil on the handle.
- Do not use the product in areas where fire or explosions can occur.
- The product can cause objects to eject at high speed. Make sure that all persons in the work area use approved personal protective equipment. Remove loose objects from the work area.
- Before you go away from the product, stop the product and disconnect the battery.
- Make sure that the battery voltage agrees with the voltage that is given on the rating plate of the product.
- Make sure that clothes, long hair and jewelry do not get caught in moving parts.
- Do not sit on the product.
- Do not hit the product.
- Before you operate the product, make sure that the work area is safe.

Vibration safety



WARNING: Read the warning instructions that follow before you use the product.

Service

- **Have your power tool serviced by a qualified repair person using only identical replacement parts.** This will ensure that the safety of the power tool is maintained.
- **Never service damaged battery packs.** Service of battery packs should only be performed by the manufacturer or authorized service providers.

Safety instructions for operation



WARNING: Read the warning instructions that follow before you use the product.

- Make sure that you know how to stop the product quickly in an emergency.
- Do not let children or persons without knowledge of these instructions use the product.
- Make sure that you know the controls and the correct operation of the product.
- The operator must have the physical strength that is necessary to operate the product safely.
- Use personal protective equipment. Refer to *Personal protective equipment on page 7.*
- Make sure that only approved persons are in the work area.
- Keep the work area clean and bright.
- Make sure that you are in a safe and stable position during operation.
- Make sure that there is no risk that you or the product can fall from a height.
- During operation of the product, vibrations go from the product to the operator. Regular and frequent operation of the product can cause or increase the degree of injuries to the operator. Injuries can occur in fingers, hands, wrists, arms, shoulders, and/or nerves and blood supply or other body parts. The injuries can be debilitating and/or permanent, and can increase gradually during weeks, months or years. Possible injuries include damage to the blood circulation system, the nervous system, joints, and other body structures.
- Symptoms can occur during operation of the product or at other times. If you have symptoms and continue to operate the product, the symptoms can increase or become permanent. If these or other symptoms occur, get medical aid:
 - Numbness, loss of feeling, tingling, pricking, pain, burning, throbbing, stiffness, clumsiness, loss of strength, changes in skin color or condition.
- Symptoms can increase in cold temperatures. Use warm clothing and keep your hands warm and dry when you operate the product in cold environments.
- Do maintenance on and operate the product as given in the operator's manual, to keep a correct vibration level.
- The product has a vibration damping system that decreases the vibrations from the handles to the operator. Let the product do the work. Do not push the product with force. Hold the product at the handles lightly, but make sure that you control the product and operate it safely. Do not push the handles into the end stops more than necessary.

- Keep your hands on the handle or handles only. Keep all other body parts away from the product.
- Stop the product immediately if strong vibrations suddenly occurs. Do not continue the operation before the cause of the increased vibrations is removed.

Dust safety



WARNING: Read the warning instructions that follow before you use the product.

- Operation of the product can cause dust in the air. Dust can cause serious injury and permanent health problems. Silica dust is regulated as harmful by several authorities. These are examples of such health problems:
 - The fatal lung diseases chronic bronchitis, silicosis and pulmonary fibrosis
 - Cancer
 - Birth defects
 - Skin inflammation
- Use correct equipment to decrease the quantity of dust and fumes in the air and to decrease dust on work equipment, surfaces, clothing and body parts. Examples of controls are dust collection systems and water sprays to bind dust. Decrease dust at the source where possible. Make sure that the equipment is correctly installed and used and that regular maintenance is done.
- Use approved respiratory protection. Make sure that the respiratory protection is applicable for the dangerous materials in the work area.
- Make sure that the airflow is sufficient in the work area.
- If it is possible, point the exhaust of the product where it cannot cause dust to go into the air.

Noise safety



WARNING: Read the warning instructions that follow before you use the product.

- High noise levels and long-term exposure to noise can cause noise-induced hearing loss.
- To keep the noise level to a minimum, do maintenance on and operate the product as given in the operator's manual.
- Use approved hearing protection while you operate the product.
- Listen for warning signals and voices when you use hearing protection. Remove the hearing protection when the product is stopped, unless hearing protection is necessary for the noise level in the work area.

Personal protective equipment



WARNING: Read the warning instructions that follow before you use the product.

- Always use approved personal protective equipment when you operate the product. Personal protective equipment cannot fully prevent injury but it decreases the degree of injury if an accident does occur. Let your dealer help you select the correct personal protective equipment.
- Regularly do a check of the condition of the personal protective equipment.
- Use an approved protective helmet.
- Use approved hearing protection.
- Use approved respiratory protection.
- Use approved eye protection with side protection.
- Use protective gloves.
- Use boots with steel toe-cap and non-slip sole.
- Use approved work clothing or equivalent close-fitting clothing that has long sleeves and long legs.

Fire extinguisher

- Keep a fire extinguisher near during operation.
- Use a powder fire extinguisher of "ABE" class or a carbon dioxide fire extinguisher of "BE" type.

Safety devices on the product

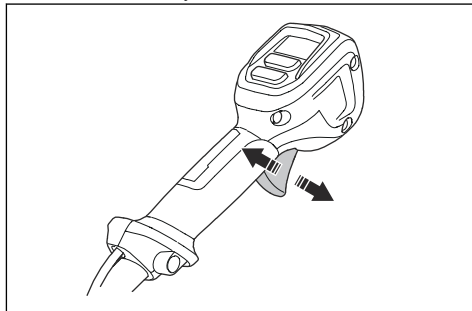


WARNING: Read the warning instructions that follow before you use the product.

- Do not use a product with safety devices that are damaged or do not operate correctly.
- Do a check of the safety devices regularly. If the safety devices are damaged or do not operate correctly, speak to your Husqvarna service agent.
- Do not make modifications to safety devices.

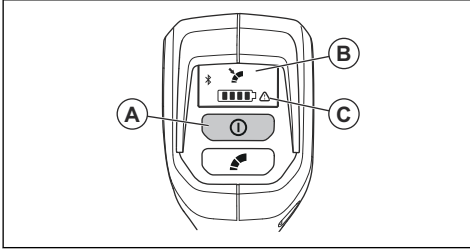
To do a check of the power trigger

- Push and release the power trigger to make sure that it moves freely.



To do a check of the user interface

1. Push and hold the ON/OFF button (A).



- a) The product is on when the LED (B) is on.
 - b) The product is off when the LED (B) is off.
2. Refer to *Troubleshooting on page 14* if the warning indicator (C) is on or flashes.

Vibration damping units

The vibration damping units decrease vibration in the product. The vibration damping units decrease harmful vibrations to prevent injury to the operator and damage to the product.

To do a check of the vibration damping units

1. Make sure that there are no cracks or deformation on the vibration damping units.
2. Make sure that the vibration damping units are correctly attached to the motor unit and handle unit.

Battery safety



WARNING: Read the warning instructions that follow before you use the product.

- Only use the Husqvarna BLi batteries that we recommend for your product. The batteries are software encrypted.
- Use Husqvarna BLi batteries that are rechargeable as a power supply for the related Husqvarna products only. To prevent injury, do not use the battery as a power supply for other devices.
- Risk of electrical shock. Do not connect the battery terminals to keys, screws or other metal. This can cause a short circuit of the battery.
- Do not put objects into the air slots of the battery.
- Keep the battery away from sunlight, heat or open flame. The battery can cause an explosion and cause burns and/or chemical burns.
- Keep the battery away from rain and wet conditions.
- Keep the battery away from microwaves and high pressure.
- Do not try to disassemble or break the battery.
- Do not let battery acid touch your skin. Battery acid causes injuries to the skin, corrosion and burns. If you get battery acid in your eyes, do not rub but

flush with water for minimum 15 minutes. If battery acid has touched your skin, you must clean the skin with a large quantity of water and soap. Get medical aid.

- Use the battery in temperatures between -10 °C/14 °F and 40 °C/104 °F.
- Do not clean the battery or the battery charger with water. Refer to *To clean the product on page 14*.
- Do not use a defective or damaged battery.
- Keep batteries in storage away from metal objects such as nails, screws or jewelry.
- Keep the battery away from children.

Battery charger safety



WARNING: Read the warning instructions that follow before you use the product.

- Risk of electrical shock or short circuit if the safety instructions are not obeyed.
- Do not use other battery chargers than the one supplied for your product. Only use Husqvarna QC chargers when you charge Husqvarna replacement batteries BLi.
- Do not try to disassemble the battery charger.
- Do not use a defective or damaged battery charger.
- Use the battery charger in temperatures between 5 °C/41 °F and 40 °C/104 °F.
- Do not lift the battery charger by the power cord. To disconnect the battery charger from a mains socket, pull out the plug. Do not pull the power cord.
- Keep all cables and extension cables away from water, oil and sharp edges. Make sure that the cable is not caught between doors, fences or equivalent.
- Do not use the battery charger near flammable materials or materials that can cause corrosion. Make sure that the battery charger is not covered. Pull out the plug to the battery charger if there is smoke or fire.

Safety instructions for maintenance



WARNING: Read the warning instructions that follow before you do maintenance on the product.

- Remove the battery before you do maintenance, other checks or assemble the product.
- The operator must only do the maintenance and servicing shown in this operator's manual. Turn to your servicing dealer for maintenance and servicing of a larger extension.
- Do not clean the battery or the battery charger with water. Strong detergent can cause damage to the plastic.

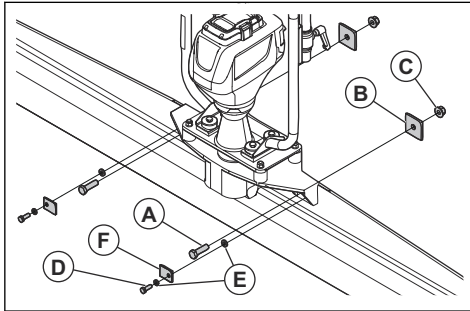
- If you do not do maintenance, it decreases the life cycle of the product and increases the risk of accidents.
- Special training is necessary for all servicing and repair work, especially for the safety devices on the product. If not all checks in this operator's manual

are approved after you have done maintenance, turn to your servicing dealer. We guarantee that there are professional repairs and servicing available for your product.

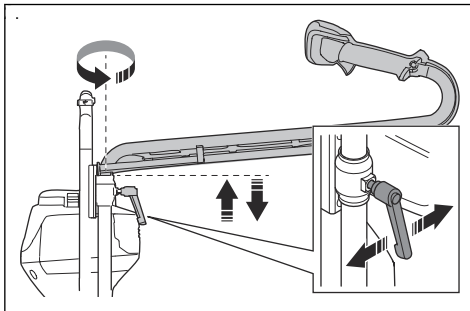
- Only use original spare parts.

To assemble the product

1. Install a beam of the correct width for the operation.
 - a) Attach the M12 bolts (A) with the square washers (B) and the nuts (C). The M12 bolts, the nuts and the square washers are supplied with the product.

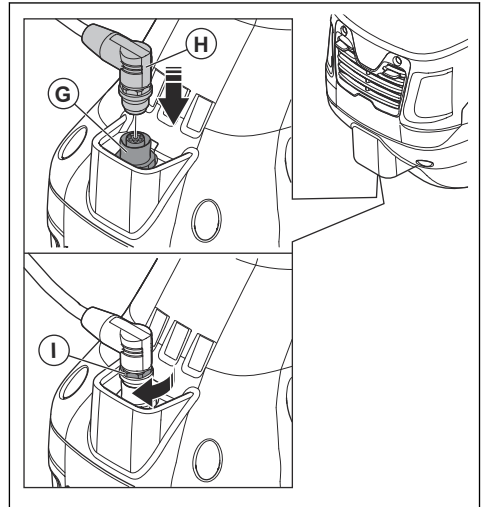


- b) Attach the bolts (D) and the washers (E and F) to the product. The bolts and the washers are supplied with the product.
- c) Torque the bolts to 80 Nm. Torque the bolts again after the first 30 minutes of operation.

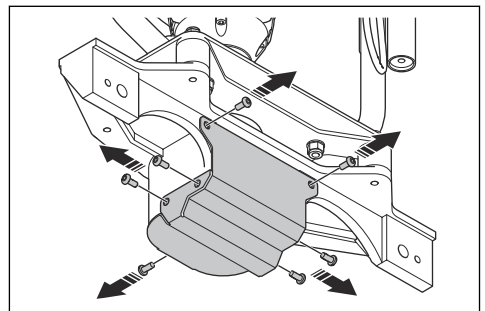


3. Tighten the lock levers when the correct operation position is set.
4. When the handle position is set, pull the lock levers out. This locks the lock levers to make sure that the handle position cannot change during operation.
5. Install the user interface cable.
 - a) Remove the protective cover for the connector (G) on the product.

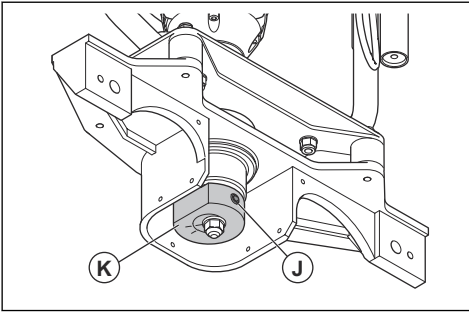
- b) Remove the protective cover of the user interface cable (H) and connect the user interface cable. Make sure that the connector for the user interface cable is in the correct position.



- c) Tighten the locknut (I) fully.
6. Adjust the eccentric weight to the length of the beam and to the slump of the concrete.
 - a) Remove the 7 screws and the cover for the eccentric element.



b) Loosen the lock bolt (J).



c) Turn the eccentric element (K) to adjust the weight. The table below shows how much the eccentric element must be turned with different beams and different slump concrete. There are 4 marks on the eccentric element, 62%, 75%, 87% and 100%.

Beam length, m/ft	Slump concrete				
	S1 ¹	S2	S3	S4	S5 ²
1.82/6.0	N/A	100%	75%	62%	62%
2.44/8.0	N/A	100%	87%	75%	62%
3.05/10.0	N/A	100%	87%	75%	62%
3.66/12.0	N/A	100%	100%	87%	75%
4.26/14.0	N/A	100%	100%	87%	75%

d) Tighten the lock bolt.

e) Install the cover for the eccentric element and the 4 screws.

Assembly

Operation

Introduction



WARNING: Read and understand the safety chapter before you use the product.



WARNING: Only use Husqvarna original batteries in the product.

To do before you operate the product

- Read the operator's manual carefully and make sure that you understand the instructions.
- Make sure that the battery is charged.
- Connect the battery to the product.
- Do the daily maintenance. Refer to *Maintenance schedule on page 13*.

1. Make sure that the battery is fully charged.

Vibration frequency and operation speed

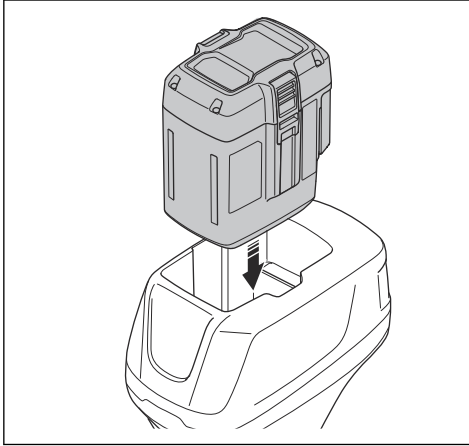
It is necessary to adjust the vibration frequency to the condition of the concrete. For concrete that contains a low quantity of water, a higher vibration frequency is necessary. For concrete that contains a high quantity of water, a lower vibration frequency is necessary. Differences in the speed of the movement and the vibration frequency gives different results.

Decrease the speed if the beam shakes too much or makes too much slurry on the surface. Increase the speed if the beam does not make sufficient slurry on surface.

¹ Lowest water contents in the slump concrete.

² Highest water contents in the slump concrete.

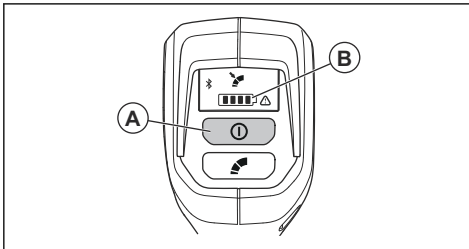
- Put the battery into the battery holder of the product. The battery must move into the holder easily. If not, it is not installed correctly.



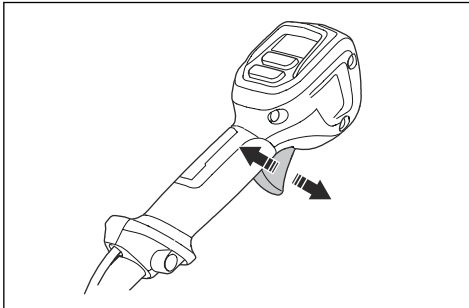
- Push the battery in fully into the battery holder. The battery locks into position when you hear a click.
- Make sure that the latches lock in position correctly.

To start the product

- Connect the battery to the product.
- Push and hold the ON/OFF button (A) until the battery indicator (B) comes on.

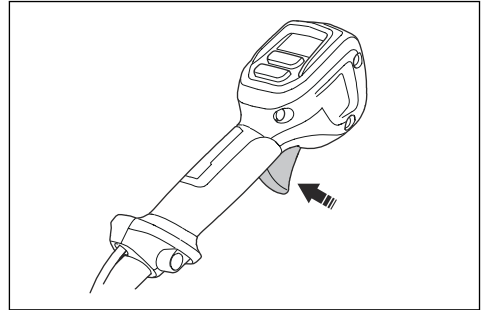


- Use the power trigger to control the speed.



To operate the product

- Spray the beam with concrete form oil or concrete release agent. This makes it easier to clean the product after operation because the concrete does not attach to the beam.
- Put the beam at the start of the first section of the concrete surface.
- Start the product. Refer to *To start the product on page 11*.
- Hold the handles tightly.
- Push the power trigger to start the operation. Use the power trigger to adjust the vibration force.



CAUTION: If you use too much vibration force, slurry can collect on the surface. If you use too low vibration force, it is possible that all air bubbles are not removed from the concrete.

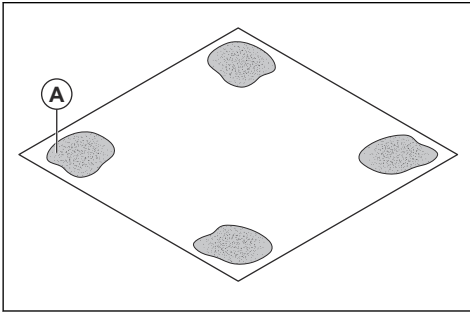


WARNING: Do not use the product if it does not operate correctly. Signs of failure hardware or software malfunction related to the motor control unit may result in electrical shock, fire and/or serious injury.

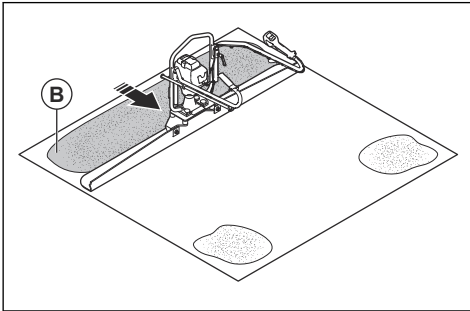
Note: The product stops automatically if you do not operate it for 5 minutes.

- Push the cruise control button to set the selected vibration frequency. Refer to *To operate the cruise control function on page 12*.
- Walk slowly rearward and at the same time lift the product until the rear edge of the beam is slightly lifted. The vibrations remove your shoe prints from the concrete surface.
- Put 30-35 cm/11.8-13.8 in. of the beam on the smooth concrete surface to make an overlap on the next section of the concrete surface.
- To make areas of concrete level, do the procedure that follows.

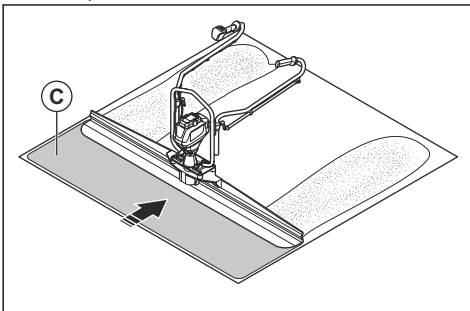
- a) In the 4 corners, make 30-45 cm/11.8-17.7 in. diameter of wet concrete areas (A) with a hand float. Use a laser to make sure that the wet concrete areas have the correct level. The distance between the outer edges of the wet concrete areas must not be more than the length of the beam.



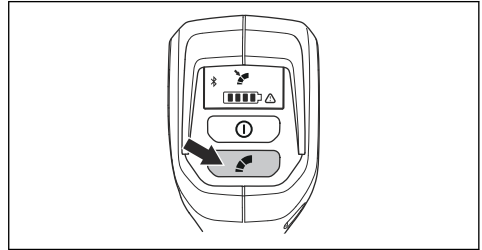
- b) Operate the product between the wet concrete areas to make 2 parallel strips (B). The strips must be 30-45 cm/11.8-17.7 in. wide.



- c) Put the end of the beam on each of the parallel strips and operate the product (C). Make sure that the beam follows the contour of the parallel strips.



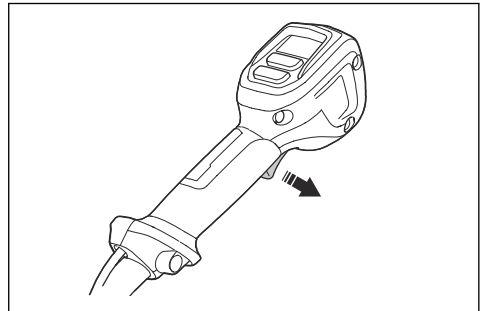
2. Push the cruise control button to set the selected vibration frequency. The LED comes on.



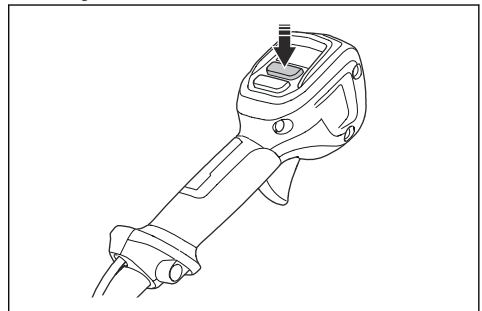
3. Release the power trigger to operate the product with the cruise control function.
4. To increase the vibration frequency, do the procedure that follows.
 - a) Push the cruise control button to stop the cruise control function.
 - b) Push the power trigger to the correct level. Then push the cruise control button, to set the new cruise control speed.

To stop the product

1. Release the power trigger.



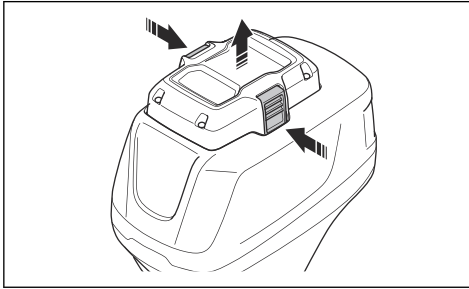
2. Push and hold the ON/OFF button until the display LED goes off.



To operate the cruise control function

1. Push the power trigger to select the optimal vibration frequency for your operation.

3. Push the release buttons on the battery and pull the battery out.



Maintenance

Introduction



WARNING: Read and understand the safety chapter before you do maintenance on the product.

Maintenance schedule

Maintenance	Daily	Weekly	Monthly
Clean the product.	X		
Make sure that the ON/OFF button operates correctly and is not damaged.	X		
Make sure that the power trigger operates correctly from a safety point of view. Refer to <i>To do a check of the power trigger on page 7</i>	X		
Make sure that there is no oil and grease on the handles, and that they are dry and clean.	X		
Make sure that the screws and nuts are tight.	X		
Make sure that the battery release buttons on the battery operates correctly and locks the battery in the product.	X		
Make sure that the battery charger operates correctly and is not damaged.	X		
Make sure that the battery is not damaged.	X		
Make sure that the battery is charged.	X		
Examine all cables, couplings and connections. Make sure that they are not damaged or dirty.		X	
Do a check of the connections between the battery and the product. Do a check of the connection between the battery and the battery charger.			X
Make sure that the vibration damping units are not damaged. Refer to <i>To do a check of the vibration damping units on page 8.</i>			X

To clean the product

- Remove concrete from the surfaces of the product after each operation before the concrete becomes hard.
- Use water and a brush to clean the product.



CAUTION: Do not point the water directly at electrical components, the battery or the motor.

- Spray the beam with concrete form oil or concrete release agent. This makes it easier to clean the product after the next operation.
- Remove grease and oil from the handle.
- Clean the motor, battery and battery charger with a dry cloth. Keep the battery guide tracks clean.
- Make sure that the terminals on the battery and the battery charger are clean. Always do this before you put the battery in the battery charger or the product.

Troubleshooting

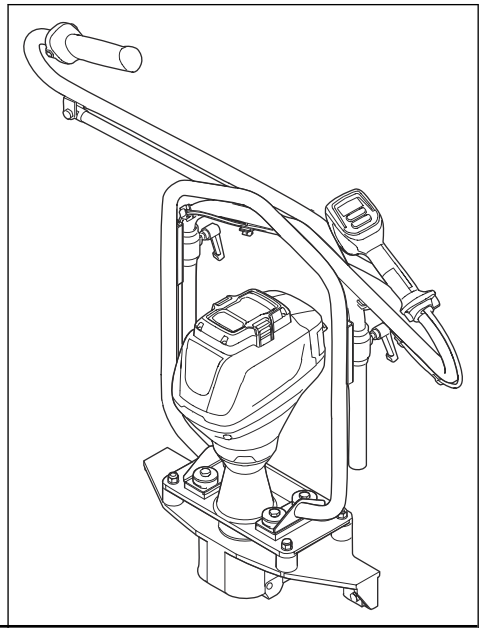
Symptom	Possible causes	Recommended step
The product does not start. No LEDs come on when you push the ON/OFF button.	Dirt on battery connectors.	Clean with compressed air or with a soft brush.
	The battery is defective.	Push the button on the battery. A minimum of 1 green LED must come on.
	Defective power connector between the battery and the product.	Make sure that the power connectors between the battery and the product are not damaged.
	Defective connection to user interface connector.	Make sure that the user interface connector is correctly assembled.
	The user interface is broken.	Speak to your Husqvarna service agent.
	The cables between the control unit and the user interface are damaged.	Speak to your Husqvarna service agent.
	Short circuit in the control unit.	Speak to your Husqvarna service agent.
Green LED flashes.	Low battery voltage	Charge the battery.
Red error LED flashes.	The temperature is too high.	Wait for the product to become cool.
	The temperature of the control unit or the battery is too low.	Make sure that the product and the battery are not colder than -10° C.
	The power trigger and the ON/OFF button are used at the same time.	Release the power trigger.
Red error LED is on.	Permanent error codes prevent start of the product.	Speak to your Husqvarna service agent.
	The control unit is broken.	Speak to your Husqvarna service agent.
	It is necessary to do servicing of the product.	Speak to your Husqvarna service agent.
No reaction from the motor when you push the power trigger.	The motor connectors are not correctly assembled.	Speak to your Husqvarna service agent.
	Short circuit in the control unit.	Speak to your Husqvarna service agent.
	The motor is broken.	Speak to your Husqvarna service agent.

Symptom	Possible causes	Recommended step
Sudden reaction from the motor when you push the power trigger, then the motor stops.	Short circuit in the control unit.	Speak to your Husqvarna service agent.
The product stops when you apply work load.	Bad connection between the battery and the product.	Make sure that the power connectors between the battery and the product are clean and not damaged.
The product starts but there is no vibration.	The vibration damping unit on the vibration shaft is damaged.	Speak to your Husqvarna service agent.
The vibrations in the product are not correct.	The eccentric element is incorrectly set.	Adjust the eccentric element. Refer to <i>To assemble the product on page 9</i> .
The noise level is too high.	The vibration bearings are damaged.	Speak to your Husqvarna service agent.
	The handle knobs are not sufficiently tightened.	Tighten the handle knobs.
The vibrations are not equal along the concrete surface.	The vibration frequency is not correct for this concrete surface.	Adjust the vibration speed to make the vibrations equal along the concrete surface. Refer to <i>Vibration frequency and operation speed on page 10</i> .
	Incorrect vibration procedure.	Operate the product correctly. Refer to <i>To operate the product on page 11</i> .
The vibration in the handle is too high.	The vibration damping units are worn.	Speak to your Husqvarna service agent.

Transportation, storage and disposal

Transportation and storage

- Keep the handles folded during transportation.



- Disconnect the user interface cable.
- Attach the product safely during transportation.
- Remove the battery for storage or transportation.
- The supplied Li-ion batteries obey the Dangerous Goods Legislation requirements.
- Obey the special requirement on package and labels for commercial transportation, including by third parties and forwarding agents.
- Speak to a person with special training in dangerous material before you send the product. Obey all applicable national regulations.
- Charge the battery 30% to 50% before you put it in storage for long periods.
- Clean the product and do a full servicing before you put the product in storage for a long time.
- Use tape on open connections when you put the battery in a package. Put the battery in the package tightly to prevent movement.
- Do not keep the battery in an area where static electricity can occur. Do not keep the battery in a metal box.
- Keep the battery where the temperature is between 5°C/41°F and 25°C/77°F and away from open sunlight.
- Keep the battery charger where the temperature is between 5 °C/41 °F and 45°C/113°F and away from open sunlight.
- Keep the battery away from the battery charger during storage.
- Keep the battery and the battery charger in a locked, dry and frost-free area.
- Keep the product in a dry and frost-free area.
- Keep the product in a locked area to prevent access for children or persons that are not approved.

Disposal of the battery, battery charger and product

The symbol below means that the product is not domestic waste. Recycle it at a recycling station for electrical and electronic equipment. This helps to prevent damage to the environment and to persons.

Speak to local authorities, domestic waste service or your dealer for more information.



Note: The symbol shows on the product or package of the product.

Technical data

Technical data

Weight without battery, kg/lb	11.5/25
Motor brand / Type	Husqvarna / 36V
Motor power, kW/hp @rpm	0.8/1.1 @7500

Noise and vibration emissions	
Sound power level, measured dB (A) ³	109
Sound pressure level at the operator's ear, L _p , dB (A) ⁴	108
Vibration level, ahv, m/s @7500 rpm, 100% eccentric force with 2,4 m screed	2.5
Weighted effective acceleration uncertainty (K) m/s ²⁵	2.0

Noise and vibration declaration statement

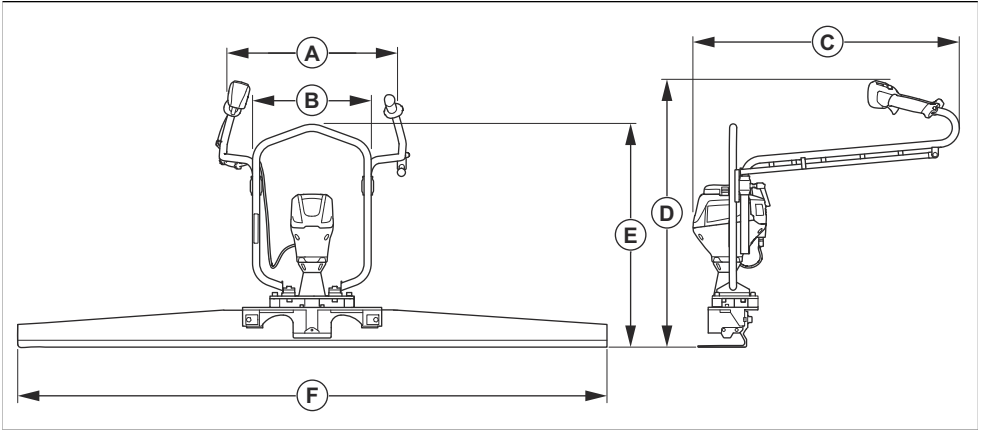
These declared values were obtained by laboratory type testing in accordance with the stated directive or standards and are suitable for comparison with the declared values of other products tested in accordance with the same directive or standards. These declared values are not suitable for use in risk assessments and values measured in individual work places may be higher. The actual exposure values and risk of harm experienced by an individual user are unique and depend upon the way the user works, in what material the product is used, as well as upon the exposure time and the physical condition of the user, and the condition of the product.

³ Sound power level determined according to EN ISO 3744.

⁴ Sound pressure level determined according to EN ISO 11203.

⁵ Weighted effective acceleration measured at the handle according to EN ISO 5349.

Product dimensions



A	Max. handle width, mm/in.	700/27.5
B	Width without handles, mm/in.	580/22.8
C	Length, mm/in.	845/33.3
D	Height including handles, mm/in.	800–1300/31.5–51.2
E	Height without handles, mm/in.	690/27.2
F	Beam width, 5 different dimensions, m/ft	1.8/6, 2.4/8, 3.0/10, 3.6/12, 4.2/14

Accessories

Beams

Length, m/ft	Weight, kg/lb
1.82/6.0	6.6/14.7
2.44/8.0	8.8/19.5
3.05/10.0	11.0/24.3
3.66/12.0	13.2/29.1
4.26/14.0	15.3/33.8

Refer to the spare part list (IPL) for part numbers for the beams.

Approved batteries

BLi 200
BLi 300
40-B220X
40-B330X

Approved battery chargers

QC330
QC500

Declaration of Conformity

EU Declaration of Conformity

We, Husqvarna AB, SE-561 82 Huskvarna, SWEDEN,
Tel: +46 36 146500 declare on our sole responsibility
that the product:

Description	Concrete Compactor, Vibrating Beam
Brand	Husqvarna
Type/Model	BV 30i
Identification	Serial numbers dating from 2021 and onwards

complies fully with the following EU directives and regulations:

Directive/Regulation	Description
2006/42/EC	"relating to machinery"
2014/53/EU	"relating to radio equipment"
2011/65/EU	"relating to restriction of hazardous substances"

and that the following harmonized standards and/or technical specifications are applied;

EN ISO 12100:2010

EN IEC 63000:2018

EN 12649:2008+A1:2011

EN 55014-1:2017

EN 55014-2:2015

ETSI EN 301 489-1 V2.2.3

ETSI EN 301 489-17 V3.2.4

Partille, 2021-05-25



Martin Huber

R&D Director, Concrete Surfaces & Floors

Husqvarna AB, Construction Division

Responsible for technical documentation



www.husqvarnaconstruction.com

Original instructions



1142370-26 Rev. B



2024-04-15