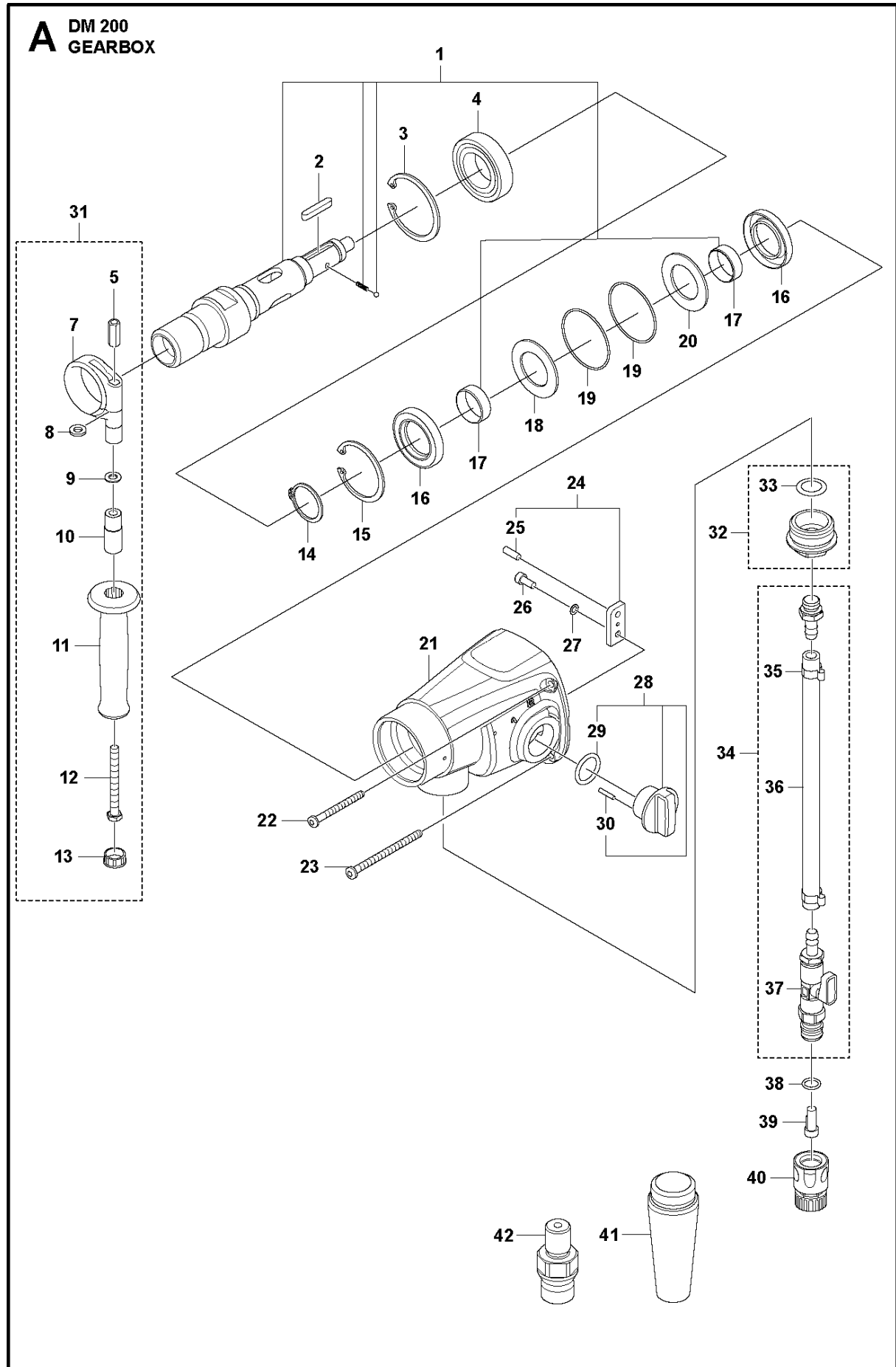




SPARE PARTS LIST

DRILLING EQUIPMENT

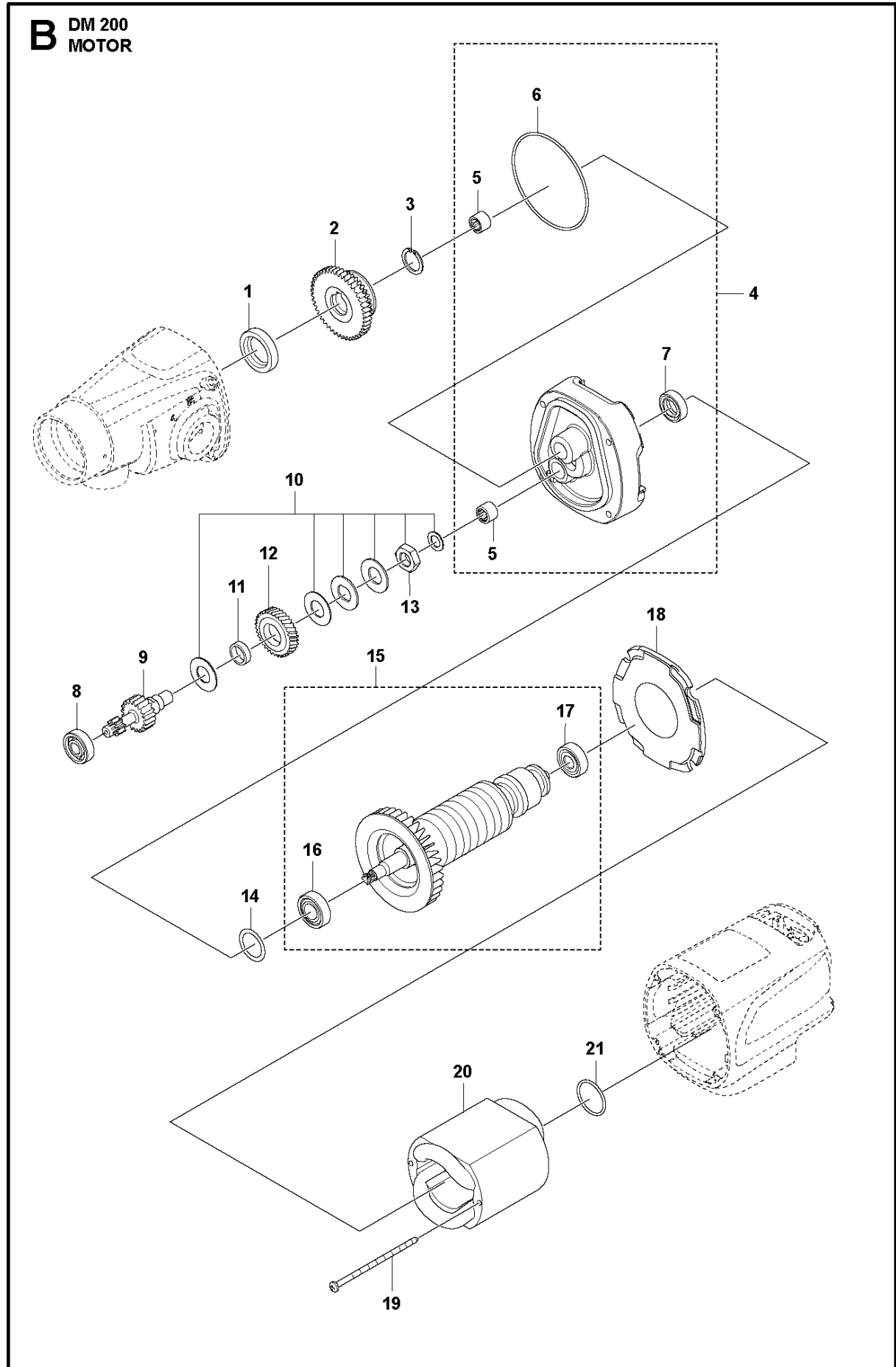
DM200, 1, 2020-08



GEARBOX

DM200, 1, 2020-08

Ref	Part No	Description	Remark	QTY	KIT
1	599 76 99-01	SPINDLE SHAFT	"ASSY 1 1/4"" UNC"	1	
1	599 76 99-03	SPINDLE SHAFT	ASSY 32/28.9 Japan	1	
2	599 77 24-01	PARALLEL KEY	A5x5x30	1	
3	543 05 27-45	RETAINER RING		1	
4	543 05 27-86	BALL BEARING		1	
5	504 02 34-01	NUT		1	31
7	582 06 26-01	CLAMPING SLEEVE		1	31
8	504 02 77-01	WASHER		1	31
9	543 05 27-16	WASHER		1	31
10	588 92 64-02	SPACER		1	31
11	574 16 94-01	HANDLE		1	31
12	725 25 11-51	SCREW EHHM		1	31
13	574 39 84-01	LID		1	31
14	543 05 27-50	RETAINER RING		1	
15	543 05 27-44	RETAINER RING		1	
16	543 05 27-71	SEAL		2	
17	599 77 18-01	SLEEVE		2	1
18	543 05 29-23	BUSHING		1	
19	599 77 23-01	O-RING	RDR47x1,5	2	
20	543 05 29-24	BUSHING		1	
21	599 76 69-01	GEAR HOUSING		1	
22	599 78 20-01	SCREW	5,0x50	3	
23	599 78 19-01	SCREW	5,0x70	1	
24	599 76 98-01	LEVER	GEARSHIFT	1	
25	543 05 27-32	PIN		1	24
26	543 05 26-61	SCREW		1	
27	543 05 27-11	WASHER		1	
28	599 76 97-01	GEARSHIFT LEVER		1	
29	598 73 19-01	O-RING		1	28
30	543 05 27-30	PIN		1	28
31	590 86 97-01	HANDLE SUPPORT ASSY		1	
32	501 55 80-01	NUT		1	
33	502 49 65-04	O-RING		1	32
34	501 07 22-01	HOSE ASSY		1	
35	576 12 97-01	HOSE CLAMP		2	34
36	581 89 36-01	HOSE		1	34
37	501 55 80-01	NUT		1	34
38	505 10 35-01	O-RING		1	
39	589 78 07-01	STRAINER		1	
40	503 26 60-03	COUPLER	US	1	
40	503 26 60-04	COUPLER		1	
41	575 87 22-01	VACUUM SYSTEM		1	
42	531 35 30-01	ADAPTER		1	

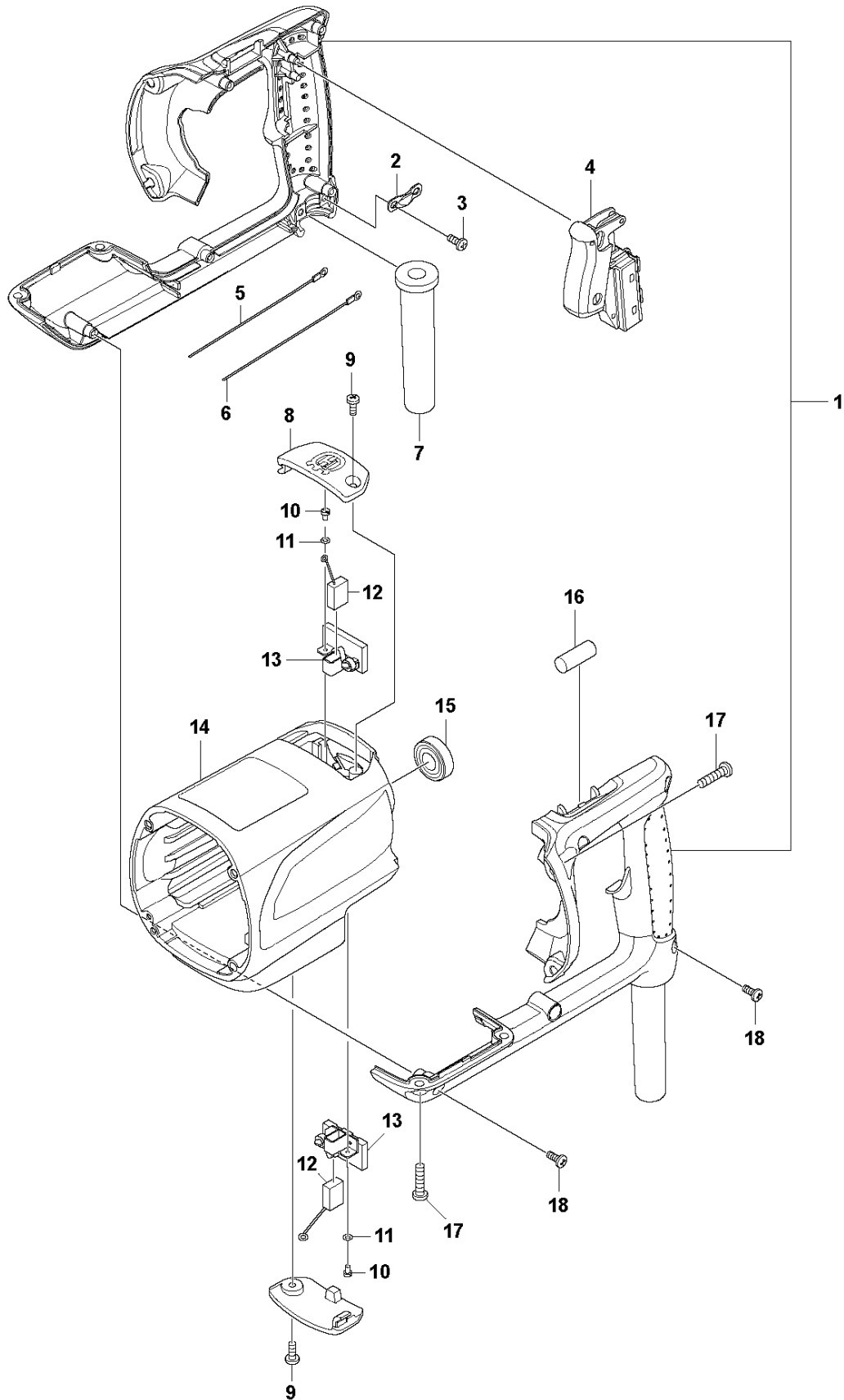


MOTOR

DM200, 1, 2020-08

Ref	Part No	Description	Remark	QTY	KIT
1	543 05 27-69	SEAL		1	
2	599 77 30-01	GEAR WHEEL ASSY	SHIFTER	1	
3	599 77 31-01	RETAINER RING	AV18	1	
4	599 77 32-01	COVER ASSY		1	
5	543 05 27-91	NEEDLE BEARING		2	4
6	543 05 27-80	O-RING		1	4
7	598 73 30-01	RADIAL SEAL		1	4
8	543 05 27-89	BALL BEARING		1	
9	599 77 28-01	GEAR WHEEL SHAFT		1	
10	599 77 33-01	CLUTCH ASSY	SLIP CLUTCH KIT	1	
11	543 05 29-12	BEARING		1	
12	599 77 29-01	GEAR WHEEL	SLIP CLUTCH	1	
13	543 05 27-06	HEXAGON NUT		1	10
14	543 05 27-36	WASHER		1	
15	599 78 15-01	ROTOR	ASSY 230V	1	
15	599 78 15-02	ROTOR	ASSY 120V	1	
16	543 05 27-82	BALL BEARING		1	15
17	598 96 55-01	BALL BEARING		1	15
18	599 77 26-01	AIR CONDUCTOR		1	
19	599 78 21-01	SCREW	4,2x90	2	
20	599 77 25-01	STATOR	230V	1	
20	599 77 25-02	STATOR	120V	1	
21	599 77 27-01	O-RING	RDR26x2	1	

C DM 200
REAR HANDLE & ELECTRICAL

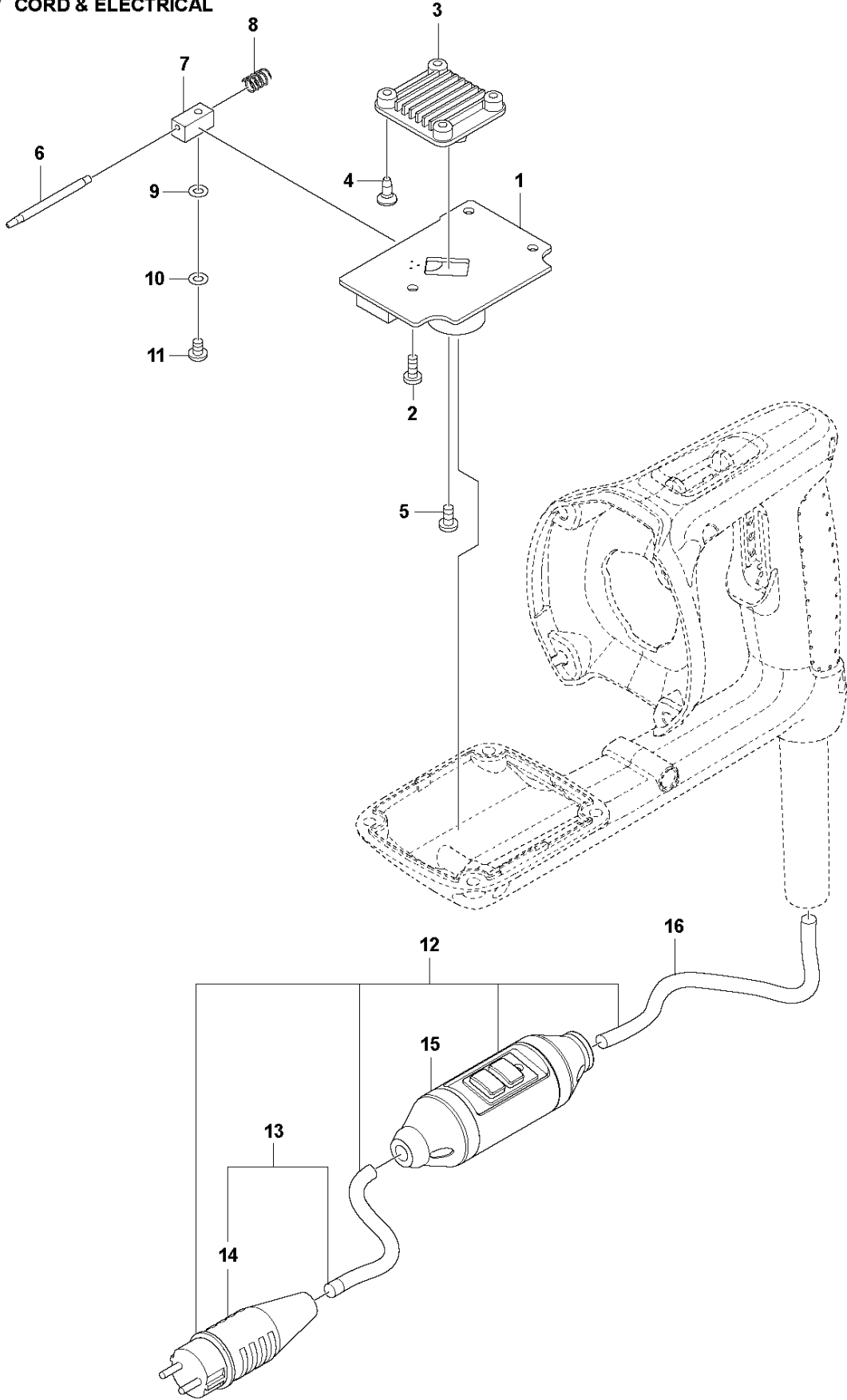


REAR HANDLE & ELECTRICAL

DM200, 1, 2020-08

Ref	Part No	Description	Remark	QTY KIT
1	599 77 81-01	HANDLE	REAR	1
2	543 05 28-65	CORD		1
3	543 05 26-92	SCREW		2
3	599 78 24-01	SCREW	4x10	2
4	599 77 87-01	TRIGGER		1
5	599 78 12-01	CABLE	230V	1
5	599 78 12-02	CABLE	120V	1
6	599 77 86-01	CABLE	MOTOR 230V	1
6	599 77 86-02	CABLE	MOTOR 120V	1
7	543 05 28-51	CORD		1
8	599 77 82-01	COVER	BRUSH	2
9	599 78 23-01	SCREW	4x10	2
10	599 78 26-01	SCREW	M3x6	2
11	543 05 27-08	WASHER		2
12	599 77 84-01	CARBON BRUSH	SET 230V	1
12	599 77 84-02	CARBON BRUSH	SET 120V	1
13	599 77 83-01	BRUSH HOLDER		2
14	599 77 80-01	MOTOR HOUSING		1
15	543 05 28-17	LEVEL		1
16	599 77 88-01	LEVEL	HORIZONTAL	1
17	599 78 22-01	SCREW	5,0x20	8
18	543 05 26-91	SCREW		5

D DM 200
CORD & ELECTRICAL



Ref	Part No	Description	Remark	QTY	KIT
1	599 77 90-01	PRINTED CIRCUIT BOARD	230V	1	
1	599 77 90-02	PRINTED CIRCUIT BOARD	120V	1	
2	599 78 27-01	SCREW	F3,5x9,5	3	
3	599 77 93-01	COOLER		1	
4	599 78 29-01	SCREW	M4x10	4	
5	599 78 28-01	SCREW	M3x6	1	
6	599 78 18-01	PIN	PE	1	
7	599 78 17-01	BLOCK	PE	1	
8	599 77 95-01	PRESSURE SPRING		1	
9	543 05 27-10	WASHER		1	
10	598 80 94-01	WASHER		1	
11	598 80 90-01	SCREW		1	
12	599 78 14-01	CABLE ASSY	INCL PRCD AND PLUG	1	
13	598 73 81-01	CABLE ASSY	EU	1	12
13	598 73 81-02	CABLE ASSY	AU	1	12
13	598 73 81-03	CABLE ASSY	BR	1	12
13	598 73 81-04	CABLE ASSY	INCL PLUG, CH	1	12
14	598 73 80-02	PLUG	120V	1	12
15	598 78 37-01	CIRCUIT BREAKER	230V	1	12
16	599 78 13-01	CABLE	230V, EU, CH, AU	1	
16	599 78 13-02	CABLE	230V, BR	1	
16	599 78 13-03	CABLE	120V, UK	1	