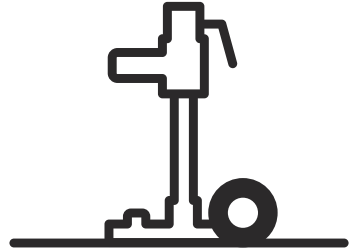




Husqvarna®



DS 500

EN	Operator's manual	2-14
ES	Manual de usuario	15-27
PT	Manual do utilizador	28-40

Contents

Introduction.....	2	Maintenance.....	10
Safety.....	3	Transportation and storage.....	11
Assembly.....	6	Technical data.....	13
Installation.....	7	Service.....	13
Operation.....	10	EC Declaration of Conformity.....	14

Introduction

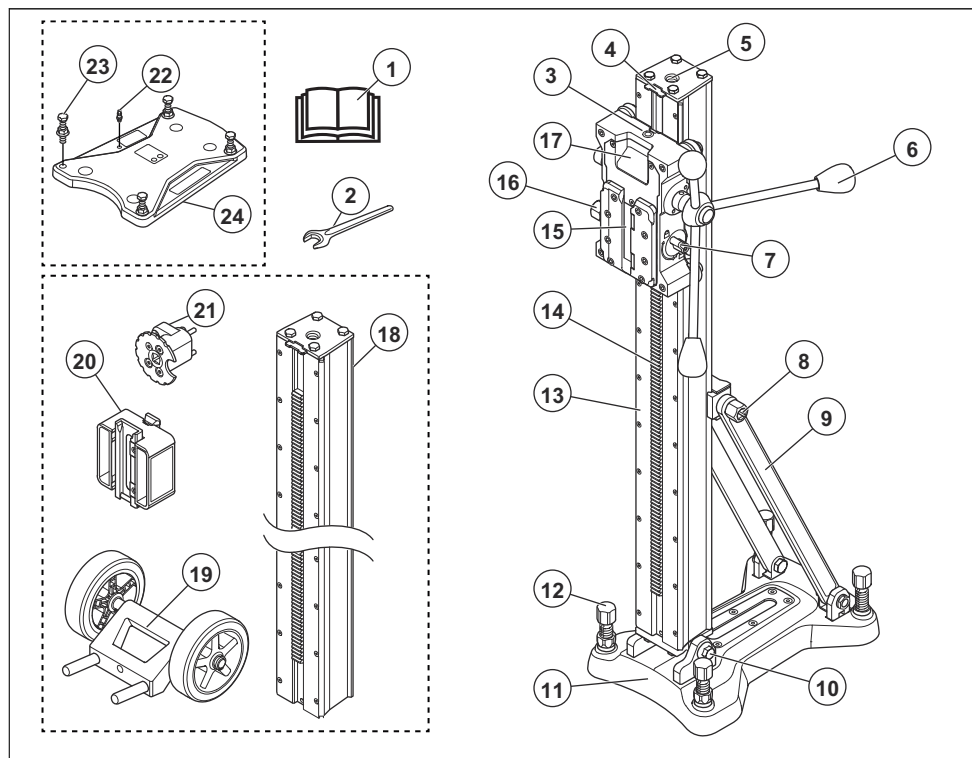
Product description

The Husqvarna DS 500 is a drill stand for Husqvarna drill motors.

- The stand is for drilling in ceilings, walls and floors.
- The drill stand is stable and can be used to drill dimensions of a maximum diameter of 500 mm.

- The column can be tilted 0-90°.
- The drill stand has a quick mounting plate for the drill motor.
- The feed lever can be used to set the column tilt and to lock the quick mounting.
- It is possible to use a 2 m long column (accessory) on the drill stand.

Product overview



1. Operator's manual
2. Wrench, 24-32 mm

3. Level indicator
4. End stop

5. Hole for jack screw (accessory)
6. Feed lever
7. Carriage lock
8. Lock screw, column tilt
9. Support
10. Hinge bracket
11. Bottom plate
12. Level adjustment screws
13. Drill column
14. Gear rack
15. Lock clamp, quick mounting
16. Lock screw, lock clamp
17. Carriage
18. Drill column, 2 m (accessory)
19. Transport wheels (accessory)
20. Adapter, quick spacer (accessory)
21. AD bracket (accessory)
22. Connection for vacuum pump
23. Level adjustment screws
24. Gasket, bottom vacuum suction



Read the operator's manual carefully and make sure that you understand the instructions before you use the product.



Use approved hearing protection.

Note: Other symbols/decals on the product refer to special certification requirements for some markets.

Product liability

As referred to in the product liability laws, we are not liable for damages that our product causes if:

- the product is incorrectly repaired.
- the product is repaired with parts that are not from the manufacturer or not approved by the manufacturer.
- the product has an accessory that is not from the manufacturer or not approved by the manufacturer.
- the product is not repaired at an approved service center or by an approved authority.

Symbols on the product



Be careful and use the product correctly. This product can cause serious injury or death to the operator or others

Safety

Safety definitions

Warnings, cautions and notes are used to point out specially important parts of the manual.



WARNING: Used if there is a risk of injury or death for the operator or bystanders if the instructions in the manual are not obeyed.



CAUTION: Used if there is a risk of damage to the product, other materials or the adjacent area if the instructions in the manual are not obeyed.

Note: Used to give more information that is necessary in a given situation.

Always use common sense



WARNING: Under no circumstances should you modify the original design of the machine without approval from the manufacturer. Always use original spare parts. Unauthorized modifications and/or accessories may lead to serious injury or death to the user or others.

It is not possible to cover every conceivable situation you can face when using a drilling machine. Always exercise care and use your common sense. Avoid all situations which you consider to be beyond your capability. If you still feel uncertain about operating procedures after reading these instructions, you should consult an expert before continuing.

Do not hesitate to contact your dealer if you have any more questions about the use of the machine. We will willingly be of service and provide you with advice as well as help you to use your machine both efficiently and safely.

Let your Husqvarna dealer check the drilling machine regularly and make essential adjustments and repairs.

All information and all data in the operator's manual were applicable at the time the operator's manual was sent to print.

Safety instructions for operation



WARNING: Read all safety warnings, instructions, illustrations and specifications provided with this power tool. Failure to follow all instructions listed below may result in electric shock, fire and/or serious injury. Save all warnings and instructions for future reference.



WARNING: There is always a risk of injuries when you do work with products that contain moving parts. Wear protective gloves to prevent body injuries.

- Use personal protective equipment. Always wear eye protection. Protective equipment such as a dust mask, non-skid safety shoes, hard hat or hearing protection used for appropriate conditions will reduce personal injuries.
- Keep children and bystanders away while operating a power tool. Distractions can cause you to lose control.
- Remove all unwanted materials from the work area and keep it good illuminated before you start. If the areas are not cleaned and not illuminated there are more risks of accidents.
- Do not operate power tools in explosive atmospheres, such as flammable liquids, gases or dust. Power tools can make sparks which can set fire to the dust or fumes.
- Sudden appearance of persons and animals can make you decrease in control of the product. Because of this, always concentrate and focus on the task.
- Do not use the product in bad weather, such as fog, rain, strong winds, intense cold and equivalent conditions. Dangerous conditions, such as slippery surfaces, can occur because of bad weather.
- Examine the work area before you use the product. Look out for obstacles with risk of sudden and harmful movement. Make sure that no material can become loose and fall or cause injury during operation.
- Always examine the rear side of the surface where the drill bit will go through the surface. Make the area safe and put a mark that shows the work area. Make sure that no injury can occur to persons or material damaged.
- Stay alert, watch what you are doing and use common sense when operating a power tool. Do not use a power tool while you are tired or under the influence of drugs, alcohol or medication. A moment of inattention while operating power tools may result in serious personal injury.
- Prevent unintentional starting. Ensure the switch is in the OFF-position before connecting to power source and/or battery pack, picking up or carrying the tool. Carrying power tools with your finger on the switch or energising power tools that have the switch on invites accidents
- The product can cause objects to eject, which can cause injury to the operator. Remove the adjusting key and wrench before you start the product.
- Do not let familiarity gained from frequent use of tools allow you to become complacent and ignore tool safety principles. A careless action can cause severe injury within a fraction of a second.

- Make sure that all operators, that use the product, have read and understood the contents of the operators manual.
- Dress properly. Do not wear loose clothing or jewellery. Keep your hair and clothing away from moving parts. Loose clothes, jewellery or long hair can be caught in moving parts. .
- Dangerous accidents can occur if the concrete core stay in the drill bit when you pull out the drill motor from the floor or wall.
- Stay at a distance from the drill bit when the motor is running.
- Make sure that no pipes or electrical cables are put in the area where the hole will be made.
- Do not go away from the product when the motor is running.
- Do not overreach. Keep correct foothold and balance at all times. This enables better control of the power tool in unexpected situations.
- Make sure that there is always one more person close at hand when you use the product. If an accident occurs, you can receive help when necessary.
- Do not use a product with defective safety equipment.
- Do the safety checks, maintenance and service as given in this manual. Some maintenance and service measures must only be done by approved service agents. See the section *Safety devices on the product on page 5*
- Inspection and/or maintenance must be done with the motor stopped and the plug disconnected from the power outlet.
- Do not use a product that has been changed from its factory specification.
- Disconnect the plug from the power source and/or remove the battery pack, if detachable, from the power tool before making any adjustments, changing accessories, or storing power tools. Such preventive safety measures reduce the risk of starting the power tool accidentally.
- Keep handles and grasping surfaces dry, clean and free from oil and grease. Slippery handles and grasping surfaces do not allow.
- Do not overload the product. If you overload the product, it can be damaged.
- Keep all parts in good condition and make sure that all fixtures are correctly tightened.

Personal protective equipment



WARNING: Read the warning instructions that follow before you use the product.

- Always use correct personal protective equipment when you operate the product. The personal protective equipment does not erase the risk of injury. The personal protective equipment decreases

the grade of injury if an accident occurs. Let your dealer help you select the right equipment.

- Use approved eye protection while you operate the product.
- Use heavy-duty slip-resistant boots with steel toe-caps.
- Use clothing that is close-fitting but does not limit your movements.
- Regularly do a check of the condition of the personal protective equipment.
- Use approved heavy duty protective gloves.
- Use rubber protective gloves to prevent skin irritation from wet concrete.
- Use an approved protective helmet.
- Always use approved hearing protection while you operate the product. Noise for a long period can cause noise-induced hearing loss.
- The product causes dust and fumes that is bad for your health. Use an approved respiratory protection.
- Make sure that you have a first aid kit near.
- Sparks can occur when you operate the product. Make sure that you have a fire extinguisher near.
- Do not use loose clothing, jewelry or other items that can get caught in moving parts. Put your hair up safely above shoulder level.

Safety devices on the product

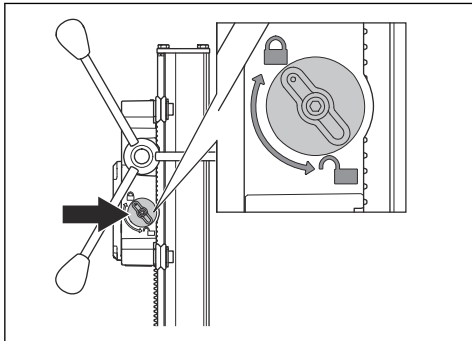


WARNING: Read the warning instructions that follow before you use the product.

- Do not use a product with defective safety devices.
- Do a check of the safety devices regularly. If the safety devices are defective, speak to your Husqvarna service agent.

To do a check of the carriage lock

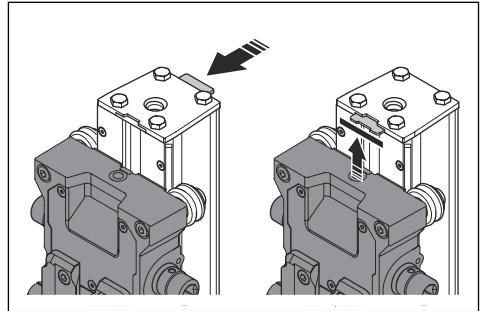
1. Turn the knob to lock the motor carriage.



2. Feel by hand that the carriage is locked to the drill column.

To do a check of the end stop of the drill column

1. Push the stop plate into the correct position.



2. Make sure that the drill motor carriage stops when it touches the stop plate.

Safety instructions for maintenance



WARNING: Inspection and/or maintenance should be carried out with the motor switched off and the plug disconnected.

- Maintain the product and accessories. Check for misalignment or binding of moving parts, breakage of parts and any other condition that may affect the operation of the product. If damaged, have the product repaired before use.
- Have your product serviced by a Husqvarna service dealer using only identical replacement parts.

Assembly

Introduction

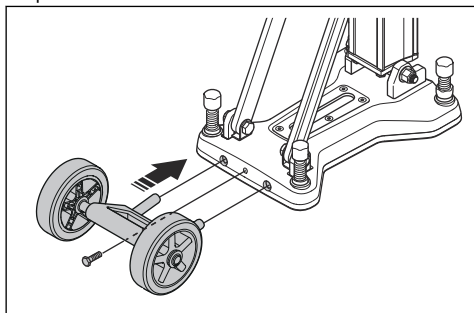
This section describes how to assemble and adjust the product.



WARNING: Before you assemble the product, read the safety chapter and the assembly instructions.

To attach the wheel kit (accessory)

1. Attach the wheel kit on the rear side of the bottom plate.



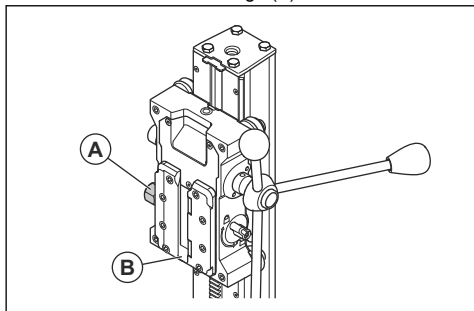
2. Tighten the screw.

To attach the drill motor



WARNING: Always pull out the plug from the outlet socket before cleaning, maintenance or assembly.

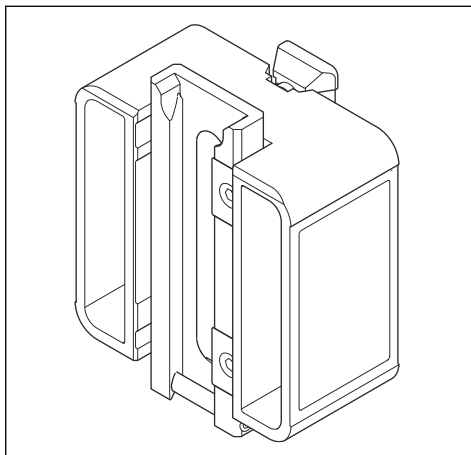
1. Unlock the drill motor carriage (A).
2. Attach the drill motor in the track (B) on the drill motor carriage.
3. Lock the drill motor carriage (A).



Quick spacer (accessory)

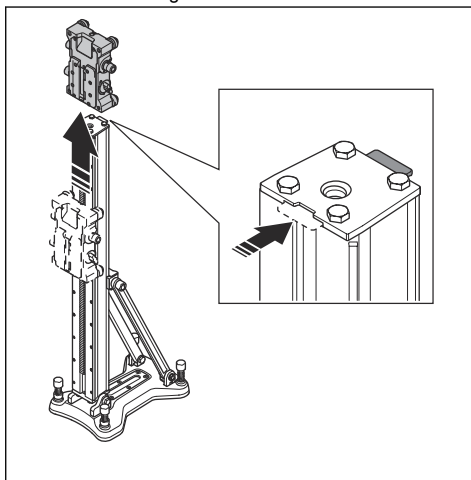
Use a quick spacer to drill large hole diameters. To select the correct quick spacer, refer to *Maximum drill*

diameter on page 13. Assemble the quick spacer on the drill motor before you attach the drill motor to the drill stand.

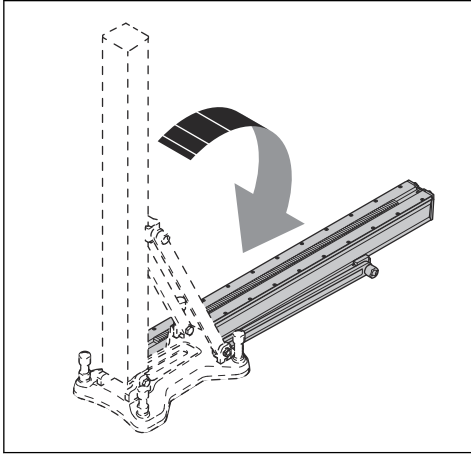


To replace the drill stand column (accessory)

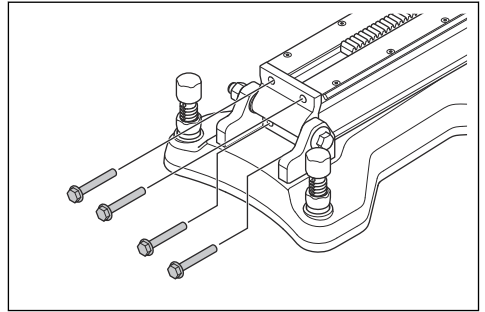
1. Push the stop plate to open position. Remove the drill motor carriage.



2. Fold the drill stand column fully rearward. Refer to *To adjust the angle of the drill column on page 10.*



3. Remove the 4 bolts from the hinge bracket.



4. Remove the drill stand column.
5. Install the drill stand column in the opposite sequence.

Installation

Procedures for drill stand installation

There are 3 procedures that can be used to attach the drill stand before a drill operation:

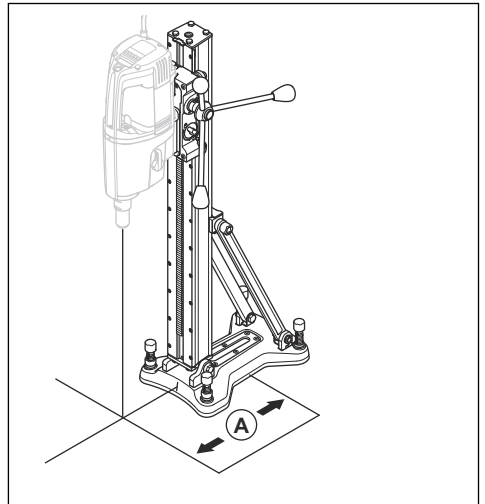
- With an expander bolt.
- With a vacuum plate.
- With a rod that has a thread, a washer and a locknut

To attach the drill stand with an expander bolt



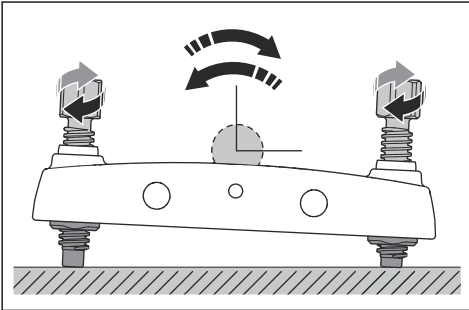
WARNING: When drilling ceilings and walls, only expander or anchor suitable for surfaces exposed to tensile forces should be used. Use only expander or anchor which is approved for current application.

1. Make a hole for the expander bolt. Refer to *To attach the expander bolt on page 8.* Measure a distance (A) of 335 mm (13.2 in.) from the center of the hole that you will drill. If you use the quick spacer (accessory), the distance changes. Refer to *Quick spacer (accessory) on page 6.*



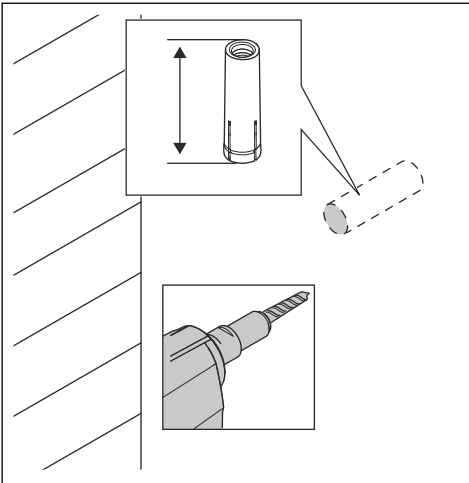
2. Attach the bottom plate with an expander bolt.
3. Make sure that the drill stand is tightened correctly.

4. If it is necessary, adjust the bottom plate. Use the level adjustment screws to adjust the bottom plate to the surface.

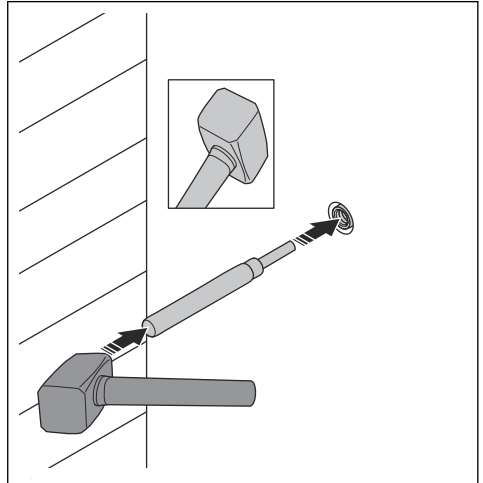


To attach the expander bolt

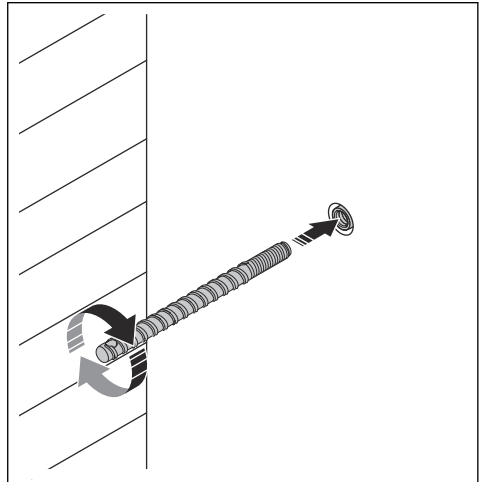
1. Drill a hole for the expander bolt. Make sure that the depth is sufficient. The socket must be put below the surface.



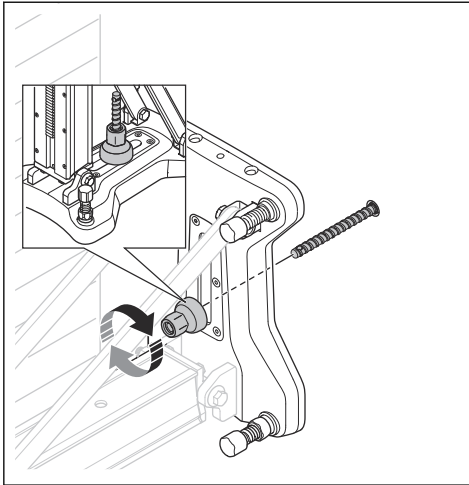
2. Use the mandrel and a hammer to install the expander.



3. Install the anchor screw.



4. Install the drill stand with the nut.



To attach the drill stand with a Husqvarna vacuum plate



WARNING: Do not use the drill stand in combination with the vacuum plate when you drill in walls or ceilings.

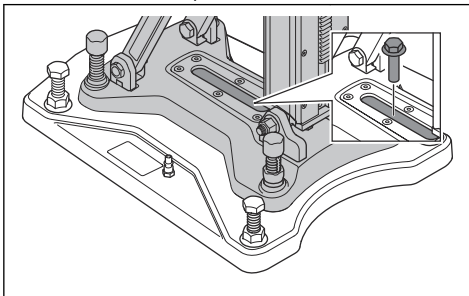


WARNING: The support surface must be flat and of good quality. The drill stand can become loose if the vacuum plate cannot seal fully against the surface.

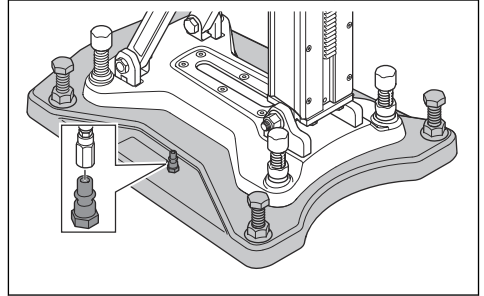


WARNING: Use of vacuum plate is only recommended together with the drill machines HusqvarnaDM 220, DM 280 or DM 340. Use of other drill machines can cause the drill stand to become loose.

1. Attach the vacuum plate with the bolt.



2. Loosen the level adjustment screws. They must be above the bottom of the vacuum plate.
3. Connect the vacuum hose and start the pump.



CAUTION: The minimum pressure must be -0.85 bar to seal the vacuum plate tightly to the surface.

4. Tighten the level screws until you feel pressure on the screw.



WARNING: The level adjustment screws must touch the surface when you use the vacuum plate. If not, the vacuum plate can come loose.

To attach the drill stand with a rod that has a thread

Use an all through rod if it is not possible to attach the drill stand to the wall or ceiling with an expander bolt. Use washers and nuts to tighten the all through rod.

Operation

Before you operate the product



WARNING: This machine is designed for and intended for drilling concrete, brick and different stone materials. All other use is improper.



WARNING: Before drilling, check that all locking screws are tightened well. Serious accidents can occur if the concrete core remains in the drill when backing out the drill motor/drill from the floor, wall or ceiling.



WARNING: When drilling ceilings, always use a water collector that is approved for your drill motor, or use a hydraulic drill motor. There is a risk that the drilling machine and the stand become live if water leaks into the machine.

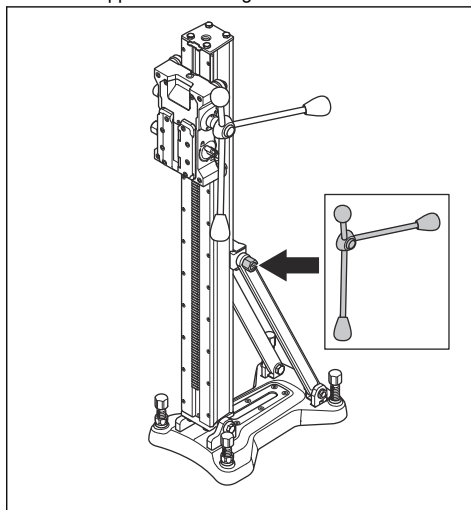


WARNING: Make sure end stop is fitted and functional.

1. Read the operator's manual carefully and make sure that you understand the instructions.
2. Keep the work area clean and bright to prevent accidents.
3. Do daily maintenance. Refer to *Daily maintenance of the drill stand on page 10*.
4. Use personal protective equipment. Refer to *Personal protective equipment on page 4*.

To adjust the angle of the drill column

1. Loosen the lock screw that locks the drill column and set the applicable drill angle.



2. Use the angle indicator for approximate adjustment. If higher precision is necessary, use alternative methods to measure.
3. Tighten the lock screw of the drill column. Use the feed lever. The drill column can be tilted 0-90°.

Maintenance

Introduction



WARNING: Read and understand the safety chapter before you do maintenance on the product.



WARNING: To prevent injury, disconnect the power cord before you do maintenance.

Daily maintenance of the drill stand

- Make sure that the nuts and screws are tight.
- Clean the external surface of the drill stand.
- Make sure that the feed lever moves without resistance.

- Make sure that the gears move easily and do not cause a noise.
- Examine the drill column, look for wear or damage.
- Make sure that the drill motor carriage moves easily and that there is no play against the drill column.

To clean and lubricate the drill stand



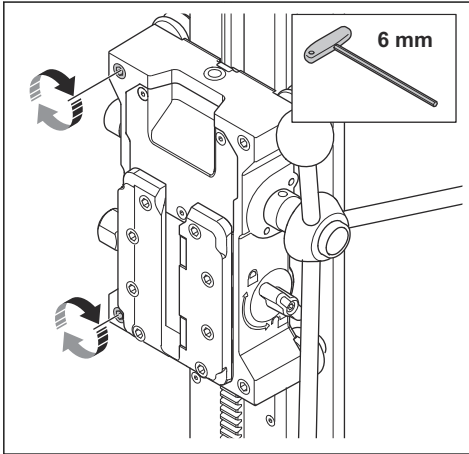
CAUTION: If you do not clean the drill stand, it can become damaged.

1. Remove the drill motor.
2. Clean the drill stand with a high pressure washer and then remove remaining water with a dry cloth.
3. Lubricate the moving parts on the drill stand. Apply grease to the contact surfaces to prevent corrosion.

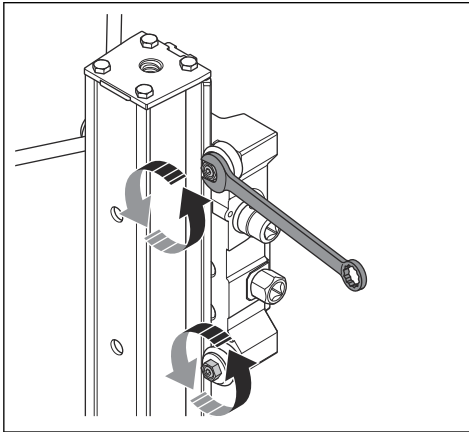
To adjust the drill motor carriage

If there is distance between the drill column and the drill motor carriage, the drill motor carriage must be adjusted.

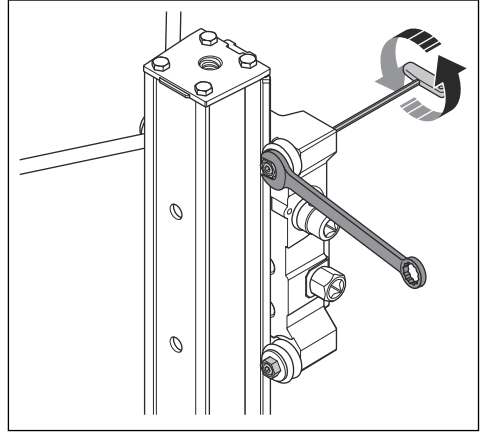
1. Loosen the screws that hold the roller shafts.



2. Adjust the roller shafts. Turn the screw counterclockwise to move the guide wheels in the direction of the drill column.

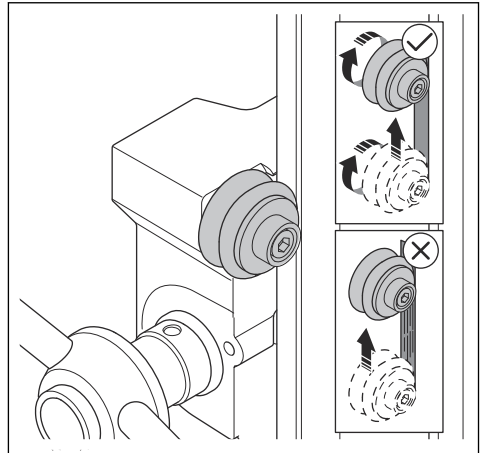


3. Lock the position of the guide wheel with a wrench. Tighten the screw to lock the roller shaft with a hex key.



Note: After you have tightened the roller shafts, they must be possible to turn with the feed lever but not by hand.

4. Use the feed lever to move the motor carriage up and down. Make sure that the drill motor carriage moves smoothly on the drill column. The roller shafts must rotate and not move. If it is necessary, adjust the roller shafts again.



Transportation and storage

Transportation and storage

- Safely attach the product during transportation to prevent damage and accidents.
- The accessory transport wheels can be used to transport the stand with mounted drill unit.
- Without transport wheels the drill unit needs to be dismantled from the stand during transport as the combined lifting weight is above 25 kg.
- Keep the product in a locked area to prevent access for children or persons that are not approved.

- Keep the drilling machine and stand in dry, frost free conditions.

Technical data

Technical data

Dimensions	
Height, mm / in.	1050 / 41.3
Width, mm / in.	240 / 9.4
Depth, mm / in.	395 / 15.5
Weight, kg / lbs	17 / 37.4
Travel length, mm / in.	700 / 27.5
Max load (on handle), kg / lbs	120 / 264.5
Drill column angle	0-90°

Maximum drill diameter

Drill motor	Without quick spacer, mm / in.	With quick spacer, mm / in.
DM 650	400 / 15.7	500 / 19.7
DM 280 / 340	370 / 14.6	470 / 18.5

Service

Approved service center

To find your nearest Husqvarna Construction Products approved service center, go to the web site .

EC Declaration of Conformity

EC Declaration of Conformity

We, **Husqvarna AB**, SE-561 82 Huskvarna, Sweden, tel:
+46-36-146500, declare on our sole responsibility that
the product:

Description	Drill stand
Brand	Husqvarna
Type/Model	DS 500
Identification	Serial numbers dating from 2019 and onwards

complies fully with the following EU directives and
regulations:

Directive/Regulation	Description
2006/42/EC	"relating to machinery"

and that the following harmonized standards and/or
technical specifications are applied;

EN ISO 12100:2010

EN 12348:2000+A1:2009

EN 62841-3-6:2014+A11:2017

Partille, 2019-02-25



Edvard Gulis

Global R&D Director

Concrete Sawing & Drilling

Husqvarna AB, Construction Division

Contenido

Introducción.....	15	Mantenimiento.....	23
Seguridad.....	16	Transporte y almacenamiento.....	25
Montaje.....	19	Datos técnicos.....	26
Instalación.....	20	Servicio técnico.....	26
Funcionamiento.....	23	Declaración CE de conformidad.....	27

Introducción

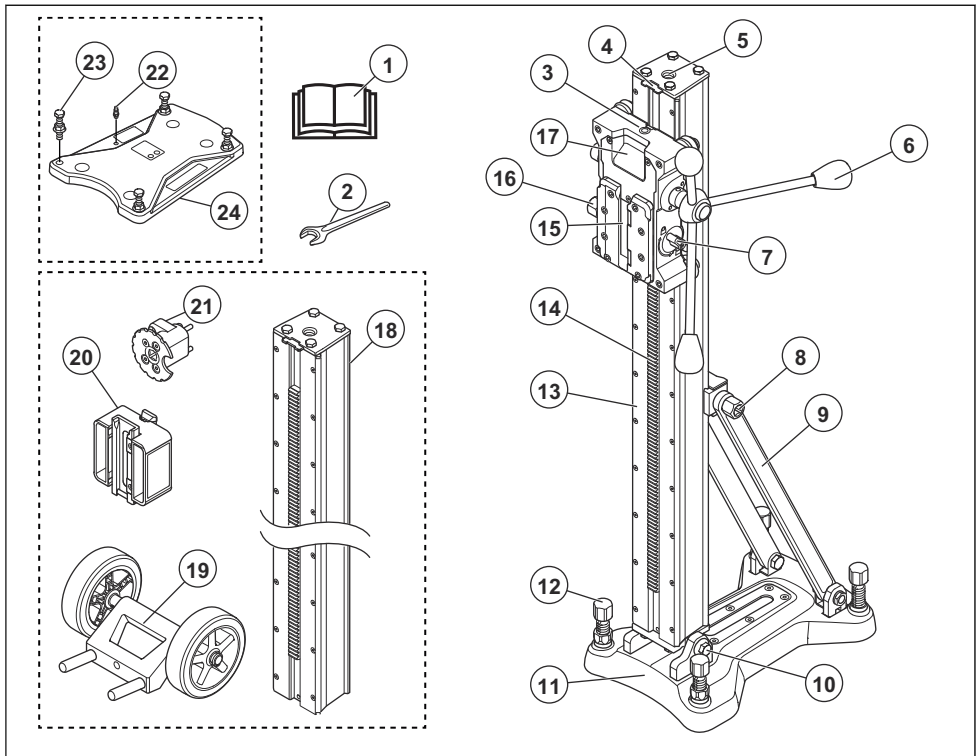
Descripción del producto

El Husqvarna DS 500 es un soporte de taladro para motores de taladro Husqvarna.

- La base sirve para utilizar el taladro en techos, paredes y suelos.
- El soporte de taladro es estable y puede usarse para taladrar orificios de un diámetro máximo de 500 mm.

- La columna puede inclinarse 0-90°.
- El soporte de taladro tiene una placa de montaje rápido para el motor de taladro.
- La palanca de alimentación puede utilizarse para ajustar la inclinación de la columna y bloquear el montaje rápido.
- En este soporte de taladro se puede usar una columna de 2 m de longitud (accesorio).

Descripción del producto



1. Manual de usuario

2. Llave, 24-32 mm

3. Indicador de nivel
4. Tope
5. Orificio para gato (accesorio)
6. Palanca de alimentación
7. Bloqueo del carro
8. Tornillo de bloqueo, inclinación de la columna
9. Asistencia
10. Soporte de bisagra
11. Placa inferior
12. Tornillos de ajuste de nivel
13. Columna de taladro
14. Mecanismo de engranaje
15. Abrazadera de bloqueo, montaje rápido
16. Tornillo de bloqueo, abrazadera de bloqueo
17. Carro
18. Columna de taladro, 2 m (accesorio)
19. Ruedas de transporte (accesorio)
20. Adaptador, separador rápido (accesorio)
21. Soporte AD (accesorio)
22. Conexión para la bomba de vacío
23. Tornillos de ajuste de nivel
24. Junta, succión de vacío en la parte inferior

ocasionar lesiones graves o mortales tanto al operador como a cualquier otra persona.



Lea atentamente el manual de usuario y asegúrese de que entiende las instrucciones antes de utilizar el producto.



Utilice protección auditiva homologada.

Nota: Los demás símbolos/etiquetas que aparecen en el producto corresponden a requisitos de homologación especiales para algunos mercados.

Responsabilidad sobre el producto

Como se estipula en las leyes de responsabilidad del producto, no nos hacemos responsables de los daños y perjuicios causados por nuestro producto si:

- El producto se ha reparado incorrectamente.
- El producto se ha reparado con piezas que no eran del fabricante o no autorizadas por el fabricante.
- El producto tiene un accesorio que no es del fabricante o no está autorizado por este.
- El producto no se ha reparado en un centro de servicio autorizado o por un organismo homologado.

Símbolos que aparecen en el producto



Tenga cuidado y utilice el producto correctamente. Este producto puede

Seguridad

Definiciones de seguridad

Las advertencias, precauciones y notas se utilizan para destacar información especialmente importante del manual.



ADVERTENCIA: Indica un riesgo de lesiones o incluso de muerte del usuario o de las personas cercanas si no se respetan las instrucciones del manual.



PRECAUCIÓN: Indica un riesgo de daños en el producto, otros materiales o el área adyacente si no se respetan las instrucciones del manual.

Nota: Se usa para proporcionar más información necesaria en una situación determinada.

Emplee siempre el sentido común.



ADVERTENCIA: Está totalmente prohibido modificar el diseño original de la máquina sin la aprobación previa del fabricante. Utilice siempre piezas de repuesto

originales. Las modificaciones o la utilización de accesorios no autorizados pueden ocasionar lesiones graves o incluso la muerte del usuario o de otras personas.

Es imposible abarcar todas las situaciones imaginables que se pueden producir al utilizar un taladro. Utilice siempre el equipo con cuidado y sentido común. Evite todas aquellas situaciones que considere que sobrepasan sus capacidades. Si, después de leer estas instrucciones, no está seguro del procedimiento que debe seguir, consulte a un experto antes de utilizar el equipo.

No dude en ponerse en contacto con su distribuidor si tiene preguntas acerca del uso de la máquina. Estaremos encantados de poder aconsejarle y ayudarle a utilizar la máquina de manera eficaz y segura.

Acuda a su distribuidor Husqvarna para que revisen periódicamente el taladro y efectúe los ajustes y reparaciones esenciales.

Toda la información y todos los datos contenidos en este manual de usuario estaban en vigor en la fecha de impresión del manual.

Instrucciones de seguridad para el funcionamiento



ADVERTENCIA: Lea todas las advertencias de seguridad, instrucciones, ilustraciones y especificaciones que se suministran con esta herramienta eléctrica. Si no se siguen las instrucciones que aparecen a continuación, puede producirse una descarga eléctrica, un incendio o lesiones graves. Conserve todas las advertencias e instrucciones para su consulta.



ADVERTENCIA: Siempre que trabaje con un producto que tenga piezas móviles existe el riesgo de sufrir algún tipo de lesión. Use guantes protectores para evitar lesiones personales.

- Utilice el equipo de protección personal. Protéjase siempre los ojos. El equipo de protección, como la mascarilla para polvo, el calzado de seguridad antideslizante, el casco o los protectores auriculares, utilizado en función de las condiciones de trabajo reducirá el riesgo de lesiones.
- Mantenga alejados a los niños y a otras personas mientras trabaje con una herramienta eléctrica. Las distracciones pueden hacer que pierda el control de esta.
- Antes de empezar, retire todos los materiales no deseados de la zona de trabajo e ilumínela bien. Si las zonas no están limpias ni bien iluminadas, el riesgo de sufrir accidentes será mayor.
- No maneje herramientas eléctricas en ambientes explosivos como aquellos en los que hay líquidos, gases o polvo inflamables. Las herramientas eléctricas pueden generar chispas que pueden incendiar el polvo o los vapores.
- La aparición repentina de personas o animales puede afectar su control sobre el producto. Por ello, concéntrese y céntrate siempre en la tarea.
- No utilice el producto en condiciones meteorológicas adversas como niebla, lluvia, viento fuerte, frío intenso u otras condiciones similares. Las condiciones climáticas desfavorables pueden provocar condiciones peligrosas (como superficies resbaladizas).
- Examine la zona de trabajo antes de usar el producto. Examine si hay algún obstáculo que pueda moverse de manera peligrosa o repentina. Asegúrese de que ningún material pueda soltarse, caer ni provocar lesiones durante el funcionamiento del producto.
- Examine siempre la parte posterior de la superficie que atravesará la broca. Asegure la zona de trabajo y señalicela. Asegúrese de que nadie ni nada pueda resultar dañado.
- Esté siempre atento, fíjese en lo que está haciendo y utilice el sentido común cuando maneje una herramienta eléctrica. No utilice herramientas eléctricas si está cansado o bajo los efectos de estupefacientes, alcohol o medicamentos. Un momento de descuido, mientras se trabaja con herramientas eléctricas, puede causar lesiones graves.
- Evite el encendido accidental de la herramienta. Asegúrese de que el interruptor está en la posición de apagado antes de conectar la máquina a la fuente de alimentación o la batería, cogerla o transportarla. Transportar herramientas eléctricas con el dedo puesto sobre el interruptor o encenderlas con el interruptor en la posición de encendido puede provocar accidentes.
- El producto puede provocar que algún objeto salga despedido, lo cual puede causar lesiones al operador. Retire la llave de ajuste y la llave antes de poner en marcha el producto.
- Evite que la familiaridad adquirida con el uso frecuente de las herramientas le lleve a confiarse e ignorar las medidas de seguridad al utilizarlas. Una acción negligente puede causar lesiones graves en una fracción de segundo.
- Asegúrese de que todos los operadores que utilicen el producto hayan leído y comprendido el contenido del manual de usuario.
- Utilice la ropa adecuada. No utilice nunca ropa amplia ni joyas. Mantenga el pelo y la ropa alejados de las piezas móviles. La ropa amplia, las joyas o el pelo largo pueden quedar atrapados en las piezas móviles. .
- Puede producirse un accidente grave si la pieza de hormigón no se ha extraído de la broca al retirar el motor de taladro de la pared o el suelo.
- Manténgase alejado de la broca cuando el motor esté en marcha.
- Asegúrese de que no haya tuberías o cables eléctricos en la zona donde se va a taladrar.
- No deje desatendido el producto con el motor en marcha.
- No se estire demasiado. Mantenga una posición correcta y el equilibrio en todo momento. Esto le permitirá controlar mejor la herramienta eléctrica en situaciones imprevistas.
- Asegúrese de que hay siempre una persona cerca mientras utiliza el producto. Si se produce un accidente, podrá recibir ayuda si es necesario.
- No utilice un producto que tenga dispositivos de seguridad defectuosos.
- Lleve a cabo las comprobaciones de seguridad y siga las instrucciones de mantenimiento y servicio descritas en este manual. Algunos trabajos de mantenimiento y servicio solo pueden encomendarse a talleres de servicio autorizados. Consulte la sección *Dispositivos de seguridad en el producto en la página 18*
- Las tareas de inspección y mantenimiento deben realizarse con el motor apagado y el conector desenchufado de la toma de corriente.

- No utilice un producto cuya especificación de fábrica haya cambiado.
- Desconecte el enchufe de la fuente de alimentación o quite la batería (si se puede desmontar) de la herramienta eléctrica antes de realizar cualquier ajuste, cambiar accesorios o guardarla. Estas medidas de seguridad preventivas reducen el riesgo de encendido accidental de la herramienta eléctrica.
- Mantenga los mangos y superficies de agarre secos, limpios y sin aceite ni grasa. Los mangos y superficies de agarre resbaladizos no permiten manejar y controlar de forma segura la herramienta ante cualquier imprevisto.
- No sobrecargue el producto. Si sobrecarga el producto, puede sufrir daños.
- Mantenga todas las piezas en buen estado y asegúrese de que todos los componentes fijos están bien apretados.

- No lleve ropa suelta, joyas u otros objetos que puedan quedar atrapados en las piezas móviles. Recójase el pelo por encima de los hombros.

Dispositivos de seguridad en el producto

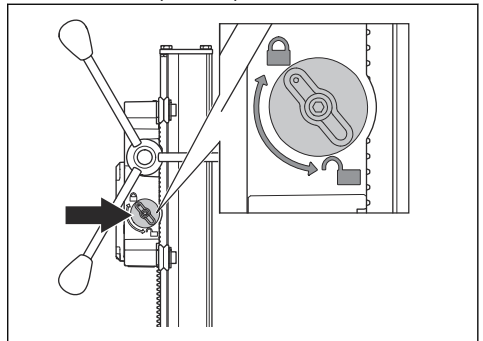


ADVERTENCIA: Lea las siguientes instrucciones de advertencia antes de utilizar el producto.

- No utilice un producto que tenga dispositivos de seguridad defectuosos.
- Realice una comprobación de los dispositivos de seguridad con frecuencia. Si los dispositivos de seguridad están defectuosos, hable con su taller de servicio Husqvarna.

Comprobación del bloqueo del carro

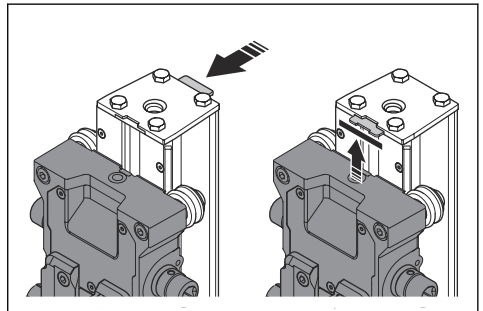
1. Gire el mando para bloquear el carro del motor.



2. Compruebe manualmente que el carro esté fijado a la columna de perforación.

Comprobación del tope de la columna de taladro

1. Empuje la placa de tope para situarla en la posición correcta.



2. Asegúrese de que el carro del motor de taladro se detiene al entrar en contacto con la placa de tope.

Equipo de protección personal



ADVERTENCIA: Lea las siguientes instrucciones de advertencia antes de utilizar el producto.

- Utilice siempre el equipo de protección personal adecuado cuando utilice el producto. El equipo de protección personal no elimina el riesgo de lesiones. El equipo de protección personal reduce la gravedad de las lesiones en caso de accidente. Deje que el distribuidor le ayude a seleccionar el equipo adecuado.
- Utilice protección ocular homologada mientras utiliza el producto.
- Utilice botas de trabajo antideslizantes y resistentes con puntera de acero.
- Utilice ropa ceñida que le permita total libertad de movimiento.
- Compruebe periódicamente el estado del equipo de protección personal.
- Use guantes protectores resistentes y homologados.
- Utilice guantes protectores de goma para evitar la irritación de la piel causada por el hormigón húmedo.
- Utilice un casco protector homologado.
- Utilice siempre protectores auriculares homologados mientras utiliza el producto. La exposición al ruido durante un período de tiempo prolongado puede causar pérdida de audición.
- El producto genera polvo y vapores perjudiciales para la salud. Utilice protección respiratoria homologada.
- Asegúrese de que tiene cerca un botiquín de primeros auxilios.
- Se pueden producir chispas al trabajar con el producto. Asegúrese de que tiene cerca un extintor de incendios.

Instrucciones de seguridad para el mantenimiento



ADVERTENCIA: El control o mantenimiento de la máquina debe hacerse con el motor parado y el enchufe desenchufado.

- Efectúe el mantenimiento del producto y los accesorios. Compruebe que no haya partes móviles mal alineadas o trabadas, piezas rotas o cualquier otra circunstancia que pueda afectar al funcionamiento del producto. Si detecta daños, lleve el producto a reparar antes de usarlo.
- Acuda a un taller de servicio Husqvarna para reparar el producto con repuestos idénticos.

Montaje

Introducción

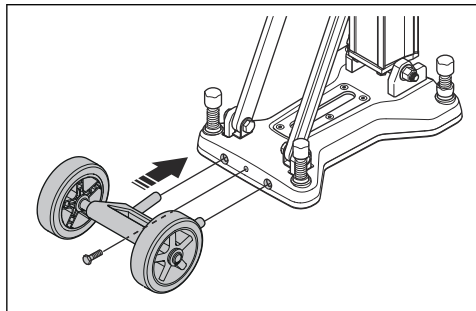
Este apartado describe cómo montar y ajustar el producto.



ADVERTENCIA: Antes de montar el producto, lea el capítulo de seguridad y las instrucciones de montaje.

Montaje del kit de ruedas (acesorio)

1. Monte el kit de ruedas en la parte trasera de la placa inferior.



2. Apriete el tornillo.

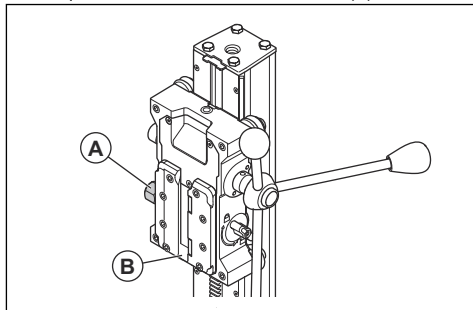
Montaje del motor de taladro



ADVERTENCIA: Desenchufe siempre el enchufe antes de efectuar trabajos de limpieza, mantenimiento o montaje de la máquina.

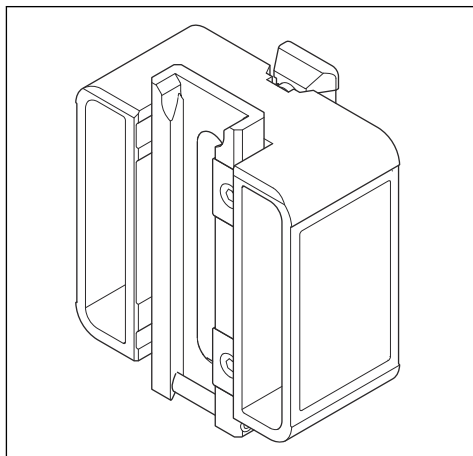
1. Desbloquee el carro del motor de taladro (A).
2. Monte el motor de taladro en la guía (B) del soporte del motor de taladro.

3. Bloquee el carro del motor de taladro (A).



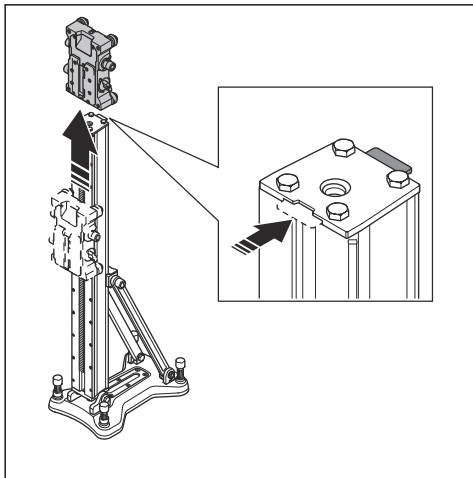
Separador rápido (acesorio)

Use un separador rápido para taladrar orificios de gran diámetro. Para seleccionar el separador rápido adecuado, consulte *Diámetro máximo de perforación en la página 26*. Monte el separador rápido en el motor de taladro antes de montar dicho motor en el soporte de taladro.

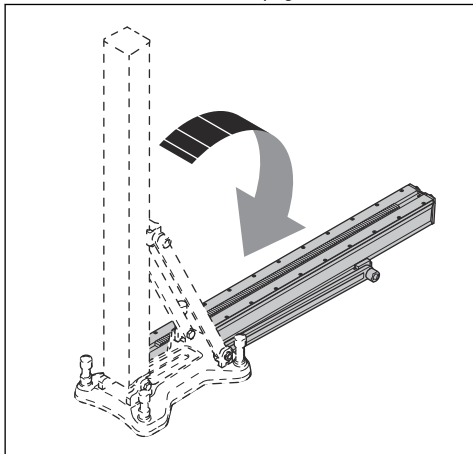


Sustitución de la columna del soporte de taladro (accesorio)

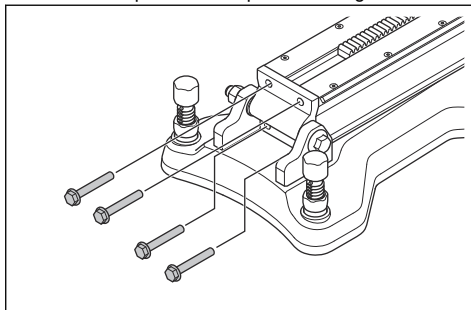
1. Empuje la placa de tope para situarla en la posición abierta. Retire el carro del motor de taladro.



2. Pliegue la columna del soporte de taladro totalmente hacia atrás. Consulte la sección *Ajuste del ángulo de la columna de taladro en la página 23*.



3. Retire los 4 pernos del soporte de bisagra.



4. Retire la columna del soporte de taladro.
5. Instale la columna del soporte de taladro efectuando el procedimiento en orden inverso.

Instalación

Procedimientos de instalación del soporte de taladro

Hay 3 procedimientos que pueden utilizarse para montar el soporte de taladro antes de efectuar un trabajo de perforación:

- Con un perno de expansión.

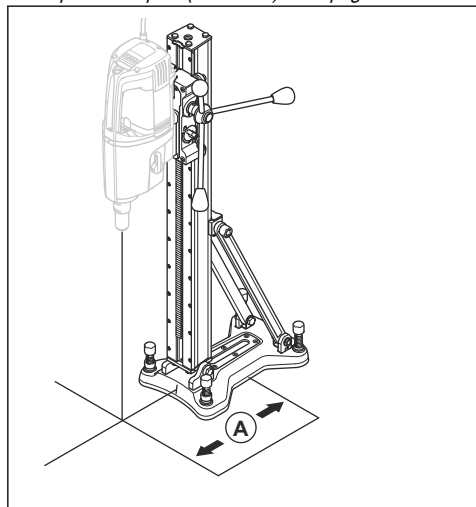
- Con una placa de vacío.
- Con una varilla roscada, una arandela y una contratuerca

Montaje del soporte de taladro con un perno de expansión

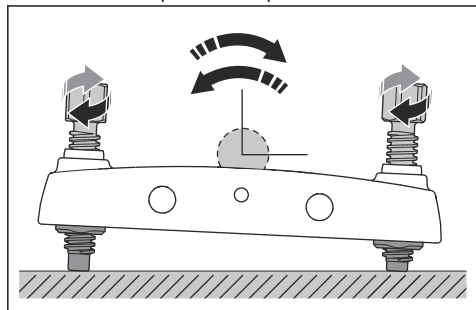


ADVERTENCIA: Cuando se trabaje con el taladro en un techo o pared, debe utilizarse únicamente un extensor o anclaje adecuados para superficies expuestas a la fuerza de tracción. Utilice únicamente un extensor o anclaje adecuado para la aplicación actual.

1. Haga un orificio para el perno de expansión. Consulte la sección *Montaje del perno de expansión en la página 21*. Mida la distancia (A) de 335 mm (13,2 pulgadas) desde el centro del orificio que va a taladrar. Si utiliza un separador rápido (accesorio), la distancia será diferente. Consulte la sección *Separador rápido (accesorio) en la página 19*.

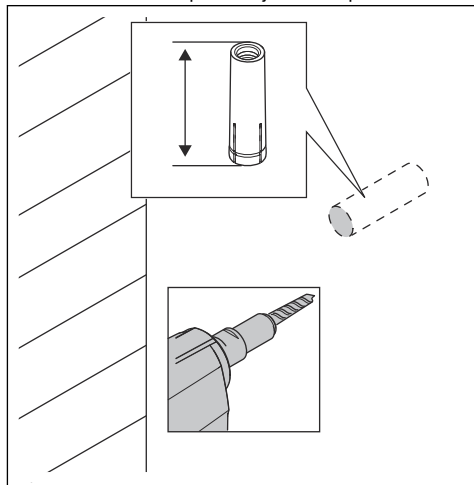


2. Monte la placa inferior con un perno de expansión.
3. Asegúrese de apretar correctamente el soporte de taladro.
4. Si es necesario, ajuste la placa inferior. Use los tornillos de ajuste de nivel para ajustar la placa inferior con respecto a la superficie.

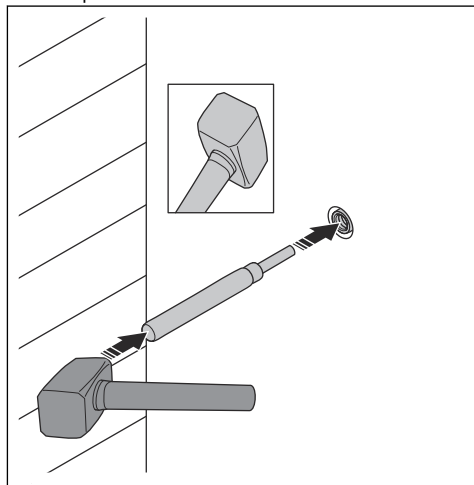


Montaje del perno de expansión

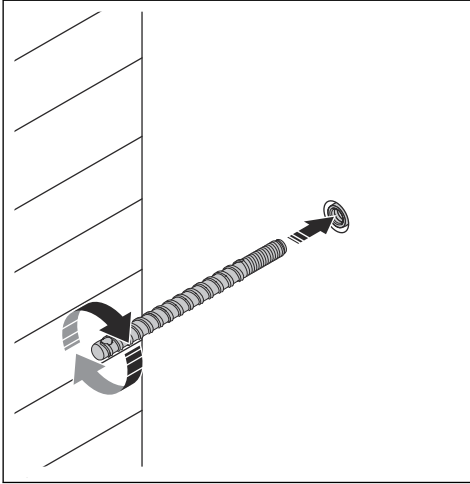
1. Haga un orificio para el perno de expansión. Asegúrese de que tenga una profundidad suficiente. Introduzca el taco por debajo de la superficie.



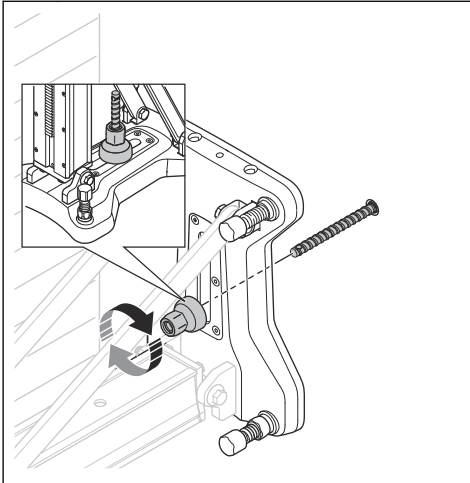
2. Utilice el mandril y un martillo para instalar el perno de expansión.



3. Instale el tornillo de anclaje.



4. Instale el soporte de taladro con la tuerca.



Montaje del soporte de taladro con una placa de vacío Husqvarna



ADVERTENCIA: No utilice el soporte de taladro con la placa de vacío cuando taladre paredes o techos.

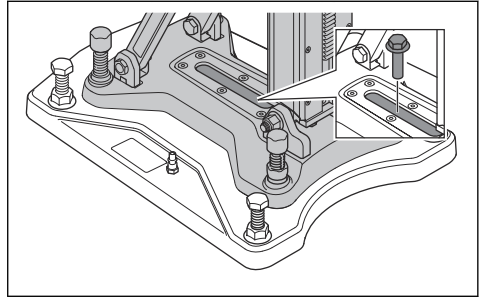


ADVERTENCIA: La superficie de apoyo debe ser plana y de buena calidad. El soporte de taladro podría aflojarse si la placa de vacío no se asienta por completo sobre la superficie.



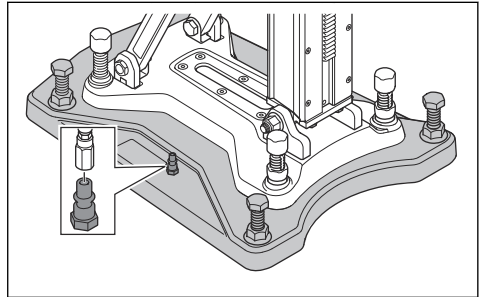
ADVERTENCIA: El uso de la placa de vacío se recomienda solamente con los taladros Husqvarna DM 220, DM 280 o DM 340. El uso de otros taladros puede dar lugar a que el soporte de taladro se afloje.

1. Monte la placa de vacío con el perno.



2. Afloje los tornillos de ajuste de nivel. Deben encontrarse por encima de la parte inferior de la placa de vacío.

3. Conecte la manguera de vacío y encienda la bomba.



PRECAUCIÓN: La presión mínima debe ser de $-0,85$ bares para que la placa de vacío se ajuste firmemente a la superficie.

4. Apriete los tornillos de nivel hasta que perciba presión en el tornillo.



ADVERTENCIA: Los tornillos de ajuste de nivel deben estar en contacto con la superficie cuando use la placa de vacío. Si no es así, la placa de vacío puede soltarse.

Fijación del soporte de taladro con una varilla roscada

Utilice una varilla roscada en el caso de que no se pueda fijar el soporte de taladro a la pared o al techo con un perno de expansión. Utilice arandelas y tuercas para apretar la varilla roscada.

Funcionamiento

Antes de utilizar el producto



ADVERTENCIA: Esta máquina está diseñada y prevista para perforar hormigón, ladrillos y distintos tipos de piedra. Cualquier otro uso se considerará inadecuado.



ADVERTENCIA: Antes de perforar, compruebe que todos los tornillos de fijación estén bien apretados. Puede producirse un accidente grave si la pieza de hormigón no se ha extraído de la broca al retirar el motor de taladro o el taladro del suelo, la pared o el techo.



ADVERTENCIA: Cuando taladre en techos, utilice siempre un colector de agua homologado para el motor de taladro o use un motor de taladro hidráulico. Existe el riesgo de que el taladro y la base se carguen con electricidad si la máquina gotea.

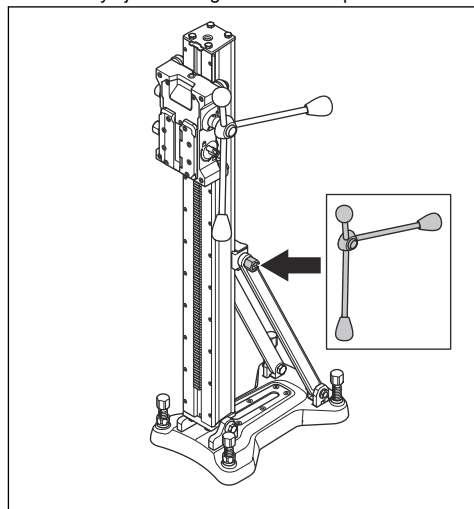


ADVERTENCIA: Compruebe que se haya instalado el tope y que funciona correctamente.

1. Lea detenidamente el manual de usuario y asegúrese de que entiende las instrucciones.
2. Mantenga limpia la zona de trabajo para evitar accidentes.
3. Realice el mantenimiento diario. Consulte la sección *Mantenimiento diario del soporte de taladro en la página 23*.
4. Utilice el equipo de protección personal. Consulte la sección *Equipo de protección personal en la página 18*.

Ajuste del ángulo de la columna de taladro

1. Afloje el tornillo de bloqueo que fija la columna de taladro y ajuste el ángulo del taladro pertinente.



2. Utilice el indicador de ángulo para lograr un ajuste aproximado. Si se requiere un ajuste más preciso, utilice otro método de medición.
3. Apriete el tornillo de bloqueo de la columna de taladro. Palanca de alimentación La columna de taladro puede inclinarse 0-90°.

Mantenimiento

Introducción



ADVERTENCIA: Asegúrese de leer y comprender el capítulo sobre seguridad antes de realizar tareas de mantenimiento en el producto.



ADVERTENCIA: Para evitar lesiones personales, desconecte el cable de alimentación antes de realizar tareas de mantenimiento.

Mantenimiento diario del soporte de taladro

- Asegúrese de que las tuercas y los tornillos están bien apretados.
- Limpie la superficie externa del soporte de taladro.
- Asegúrese de que la palanca de avance se mueve sin ofrecer resistencia.
- Asegúrese de que los engranajes se mueven fácilmente y no generan ruido.
- Examine la columna de taladro y observe si presenta daños o desgaste.

- Asegúrese de que el carro del motor de taladro se mueve con facilidad y que no haya holgura con respecto a la columna de taladro.

Limpeza y lubricación del soporte de taladro



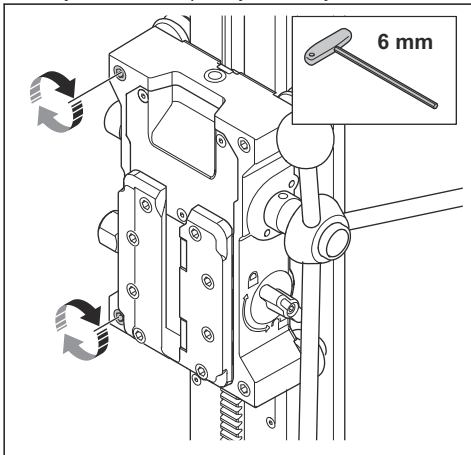
PRECAUCIÓN: El soporte de taladro puede resultar dañado si no se limpia.

1. Retire el motor de taladro.
2. Limpie el soporte de taladro con una hidrolimpiadora a alta presión y, a continuación, seque los restos de agua con un paño.
3. Lubrique las piezas móviles del soporte de taladro. Aplique grasa a las superficies de contacto para evitar la corrosión.

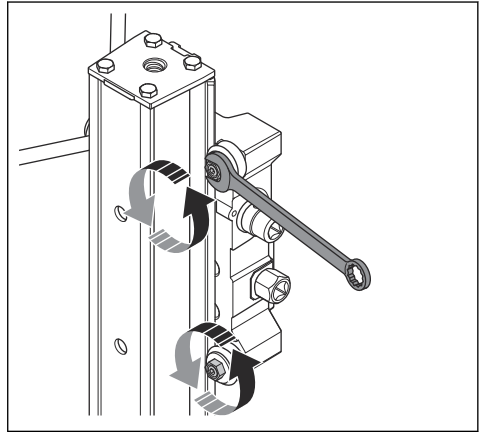
Ajuste del carro del motor de taladro

Si hay holgura entre la columna de taladro y el carro del motor de taladro, es necesario ajustar el carro del motor de taladro.

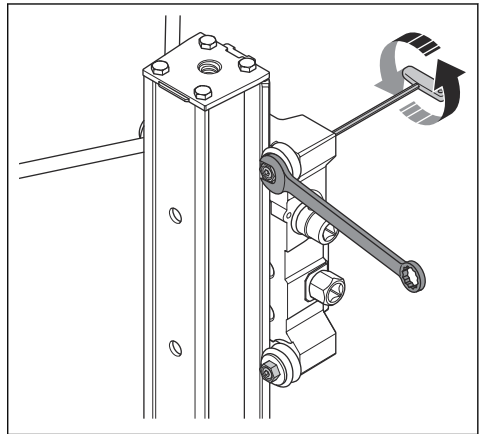
1. Afloje los tornillos que sujetan los ejes de rodillos.



2. Ajuste los ejes de rodillos. Gire el tornillo hacia la derecha para mover las ruedas guía en la dirección de la columna de taladro.

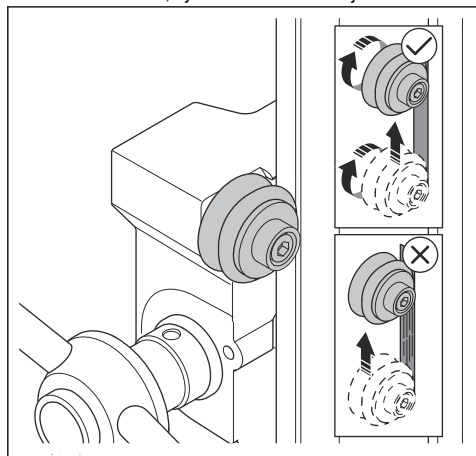


3. Bloquee la posición de la rueda guía con una llave. Apriete el tornillo para bloquear el eje de rodillo con una llave hexagonal.



Nota: Una vez que haya apretado los ejes de rodillos, debe ser posible girarlos con la palanca de avance, pero no con la mano.

4. Utilice la palanca de avance para subir y bajar el carro del motor. Asegúrese de que el carro del motor de taladro se mueve con suavidad por la columna de taladro. Los ejes de rodillos deben girar sin moverse. Si es necesario, ajuste de nuevo los ejes de rodillos.



Transporte y almacenamiento

Transporte y almacenamiento

- Asegure el producto durante el transporte para evitar daños y accidentes.
- Se puede utilizar el accesorio de las ruedas de transporte para desplazar el soporte con la unidad de perforación montada.
- Sin las ruedas de transporte, se tiene que retirar la unidad del soporte durante el transporte, ya que el peso combinado supera los 25 kg.
- Mantenga el producto en un área cerrada para impedir el acceso a niños o personas no autorizadas.
- Mantenga la máquina de perforación y el soporte en un ambiente seco y sin escarcha.

Datos técnicos

Datos técnicos

Dimensiones	
Altura, mm/in	1050/41,3
Anchura, mm/in	240/9,4
Profundidad, mm/in	395/15,5
Peso, kg/lb	17/37,4
Longitud de recorrido, mm/in	700/27,5
Carga máxima (en el mango), kg/lb	120/264,5
Ángulo de la columna de taladro	0-90°

Diámetro máximo de perforación

Motor de taladro	Sin separador rápido, mm/in	Con separador rápido, mm/in
DM 650	400/15,7	500/19,7
DM 280/340	370/14,6	470/18,5

Servicio técnico

Centro de servicio autorizado

Para encontrar su centro de servicio autorizado
Husqvarna Construction Products más cercano, visite el
sitio web .

Declaración CE de conformidad

Declaración de conformidad CE

Nosotros, **Husqvarna AB**, SE-561 82 Huskvarna (Suecia), tel. +46-36-146500, declaramos bajo nuestra exclusiva responsabilidad que el producto:

Descripción	Base del taladro
Marca	Husqvarna
Tipo/Modelo	DS 500
Identificación	Números de serie a partir del año 2019

Cumple las siguientes directivas y normas de la UE:

Directiva/Norma	Descripción
2006/42/CE	"relativa a las máquinas"

y que se aplican las especificaciones técnicas o los estándares armonizados siguientes:

EN ISO 12100:2010

EN 12348:2000+A1:2009

EN 62841-3-6:2014+A11:2017

Partille, 2019-02-25



Edvard Gulis

Director mundial de I+D

Concrete Sawing & Drilling

Husqvarna AB, Construction Division

ÍNDICE

Introdução.....	28	Manutenção.....	36
Segurança.....	29	Transporte e armazenamento.....	38
Montagem.....	32	Especificações técnicas.....	39
Instalação.....	33	Assistência.....	39
Funcionamento.....	36	Declaração CE de conformidade.....	40

Introdução

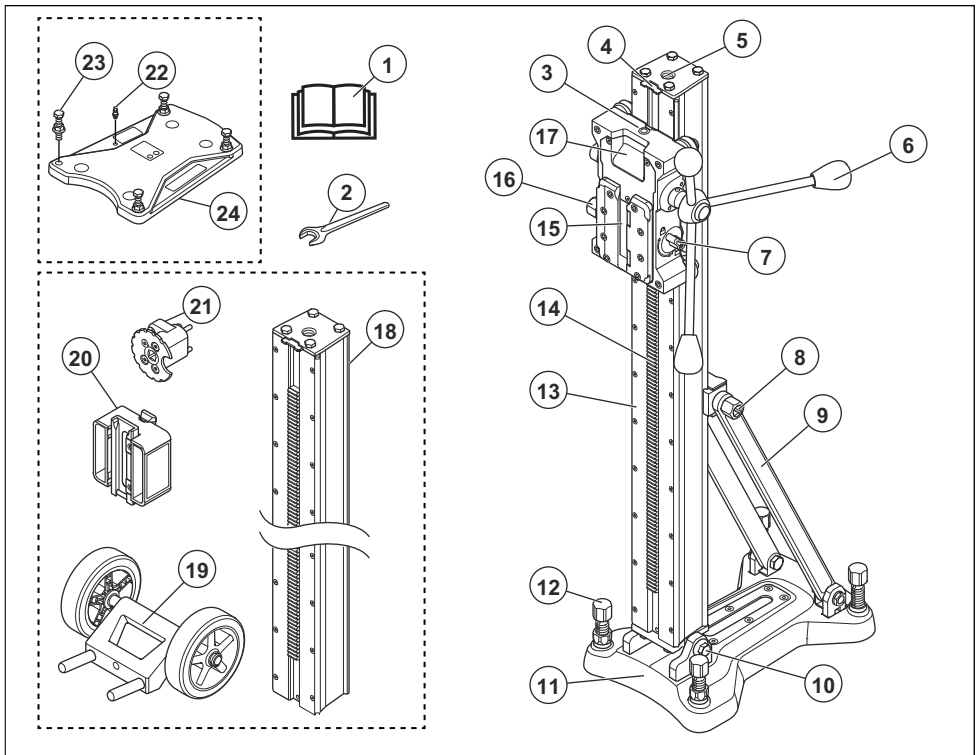
Descrição do produto

O Husqvarna DS 500 é um suporte do perfurador para motores de perfuração Husqvarna.

- O suporte destina-se a perfurações em tectos, paredes e pavimentos.
- O suporte do perfurador é estável e pode ser utilizado para dimensões de perfuração com um diâmetro máximo de 500 mm.

- A coluna pode ser inclinada entre 0 e 90°.
- O suporte do perfurador tem uma placa de montagem rápida para o motor de perfuração.
- A alavanca de alimentação pode ser utilizada para ajustar a inclinação da coluna e bloquear a montagem rápida.
- É possível utilizar uma coluna de 2 metros de comprimento (acessório) no suporte do perfurador.

Vista geral do produto



1. Manual do utilizador
2. Chave, 24-32 mm
3. Indicador de nível
4. Batente
5. Orifício para macaco de parafuso (acessório)
6. Alavanca de alimentação
7. Bloqueio da unidade móvel
8. Parafuso de bloqueio, inclinação da coluna
9. Apoio
10. Suporte da dobradiça
11. Placa inferior
12. Parafusos de ajuste do nível
13. Coluna da broca
14. Cremalheira
15. Grampo de fixação, montagem rápida
16. Parafuso de bloqueio, grampo de fixação
17. Unidade móvel
18. Coluna da broca, 2 m (acessório)
19. Rodas de transporte (acessório)
20. Adaptador, espaçador rápido (acessório)
21. Suporte AD (acessório)
22. Ligação para bomba de vácuo
23. Parafusos de ajuste do nível
24. Junta, sucção inferior para vácuo

ferimentos graves ou a morte do utilizador ou de terceiros



Leia o manual do utilizador com atenção e certifique-se de que compreende as instruções antes de utilizar o produto.



Utilize protetores acústicos aprovados.

Nota: Os restantes símbolos/autocolantes existentes no produto dizem respeito a exigências específicas para homologação em alguns países.

Responsabilidade pelo produto

Como referido nas leis de responsabilidade pelo produto, não somos responsáveis por danos causados pelo nosso produto se:

- o produto tiver sido incorretamente reparado.
- o produto tiver sido reparado com peças que não sejam do fabricante ou que não sejam aprovadas pelo fabricante.
- o produto tiver um acessório que não seja do fabricante ou que não seja aprovado pelo fabricante.
- o produto não tiver sido reparado por um centro de assistência autorizado ou por uma autoridade aprovada.

Símbolos no produto



Seja cuidadoso e utilize o produto corretamente. Este produto pode provocar

Segurança

Definições de segurança

Os avisos, as precauções e as notas são utilizados para indicar partes especialmente importantes do manual.



ATENÇÃO: Utilizado no caso de existir risco de ferimento ou morte para o utilizador ou transeuntes, se não forem respeitadas as instruções do manual.



CUIDADO: Utilizado se existir risco de danos para o produto, para outros materiais ou para a área adjacente, se não forem respeitadas as instruções do manual.

Nota: Utilizado para disponibilizar informações adicionais necessárias numa determinada situação.

Use sempre o seu bom senso



ATENÇÃO: Não deverá, sob qualquer circunstância, modificar o design original da máquina sem a aprovação do fabricante. Utilize sempre peças sobresselentes originais. Modificações e/ou acessórios não autorizados podem originar ferimentos graves ou morte do utilizador ou de outras pessoas.

É impossível abranger todas as possíveis situações com que se pode deparar ao utilizar uma máquina de perfuração. Actue sempre com precaução e use de senso comum. Evite todas as situações que considere estarem para além das suas capacidades. Caso se sinta inseguro acerca dos procedimentos de operação depois de ler estas instruções, consulte um perito antes de prosseguir.

Não hesite em contactar o seu fornecedor, caso tenha quaisquer questões sobre a utilização desta máquina. Teremos todo o prazer em apoiá-lo e aconselhá-lo, bem

como em ajudá-lo a utilizar a sua máquina de forma eficaz e segura.

Solicite ao seu revendedor Husqvarna que verifique a máquina de perfuração com regularidade e efetue as reparações e os ajustes necessários.

Toda as informações e os dados presentes neste manual do utilizador eram válidos na data em que o manual do utilizador foi entregue para impressão.

Instruções de segurança para funcionamento



ATENÇÃO: Leia todos os avisos de segurança, as instruções, as ilustrações e as especificações fornecidas com esta ferramenta elétrica. O incumprimento das instruções indicadas abaixo poderá resultar em choques elétricos, incêndios e/ou ferimentos graves. Guarde todos os avisos e instruções para referência futura.



ATENÇÃO: Existe sempre o risco de ferimentos ao trabalhar com produtos que contêm peças móveis. Utilize luvas de proteção para evitar ferimentos físicos.

- Use equipamento de proteção pessoal. Use sempre proteção ocular. A utilização de equipamento de proteção como, por exemplo, uma máscara antipoeira, calçado de segurança antiderrapante, um capacete ou protetores acústicos nas condições apropriadas reduz os ferimentos pessoais.
- Mantenha as crianças e restantes pessoas afastadas enquanto maneja uma ferramenta elétrica. As distrações podem fazê-lo perder o controlo.
- Retire todos os materiais indesejados da área de trabalho e mantenha a área bem iluminada antes de começar. Se as áreas não estiverem limpas nem iluminadas, os riscos de acidentes aumentam.
- Não utilize ferramentas elétricas em ambientes explosivos, por exemplo, com líquidos inflamáveis, gases ou poeiras. As ferramentas elétricas pode fazer faíscas, as quais, por sua vez, podem incendiar poeiras ou fumos.
- O aparecimento súbito de pessoas e animais pode diminuir o seu controlo sobre o produto. Por isso, esteja sempre concentrado e atento à tarefa em curso.
- Não utilize o produto em más condições meteorológicas como nevoeiro, chuva, ventos fortes, frio intenso e condições semelhantes. Podem ocorrer condições perigosas, tais como, superfícies escorregadias, devido a más condições meteorológicas.
- Examine a área de trabalho antes de utilizar o produto. Verifique se existem obstáculos que apresentem um risco de movimentos súbitos ou perigosos. Certifique-se de que nenhum material se pode soltar e cair ou causar ferimentos durante o funcionamento.
- Examine sempre a parte traseira da superfície onde a broca irá atravessar a superfície. Torne a área segura e coloque uma marca que indique a área de trabalho. Certifique-se de que não é possível ocorrer ferimentos em pessoas nem danos nos materiais.
- Mantenha-se alerta, tenha atenção ao que está a fazer e use o bom senso ao operar uma ferramenta elétrica. Não use uma ferramenta eléctrica se estiver cansado ou sob a influência de drogas, álcool ou medicação. Um momento de desatenção durante o manejo de ferramentas eléctricas pode resultar em lesões pessoais graves.
- Prevenção de arranque não intencional. Certifique-se de que o interruptor se encontra desligado antes de ligar à fonte de alimentação e/ou à bateria, de pegar ou transportar a ferramenta. Transportar ferramentas eléctricas com o dedo no interruptor ou ligar ferramentas eléctricas à corrente eléctrica com o interruptor ligado é um convite aos acidentes
- O produto pode causar a projecção de objetos, o que pode ferir o utilizador. Retire a chave de ajuste e a chave antes de ligar o produto.
- Siga sempre os princípios de segurança das ferramentas, mesmo que já esteja familiarizado com as ferramentas, devido à utilização frequente das mesmas. Uma ação descuidada pode provocar ferimentos graves numa fração de segundo.
- Certifique-se de que todos os utilizadores que utilizam o produto leram e compreenderam o conteúdo do manual do utilizador.
- Vista-se adequadamente. Não use peças de roupa soltas ou jóias. Mantenha o cabelo e roupas longe de quaisquer peças em movimento. Roupas soltas, jóias ou cabelo comprido podem ser apanhados nas peças em movimento. .
- Podem ocorrer acidentes perigosos se o núcleo do betão permanecer na broca quando retira o motor de perfuração do solo ou da parede.
- Mantenha-se afastado da broca quando o motor estiver a funcionar.
- Certifique-se de que não são colocadas canalizações ou cabos elétricos na área de trabalho onde irá perfurar o orifício.
- Não se afaste do produto quando o motor estiver a funcionar.
- Não se debruce. Mantenha o equilíbrio e os pés sempre bem assentes. Isto permite um melhor controlo da ferramenta eléctrica em situações inesperadas.
- Certifique-se de que existe sempre outro utilizador nas proximidades durante a utilização do produto. Em caso de acidente, poderá receber assistência quando necessária.
- Não utilize um produto com equipamento de segurança defeituoso.
- Efetue as verificações de segurança, manutenção e assistência descritas neste manual. Algumas

medidas de manutenção e assistência apenas podem ser efetuadas por oficinas autorizadas. Consulte a secção *Dispositivos de segurança no produto na página 31*

- A inspeção e/ou manutenção têm de ser efetuadas com o motor parado e com a ficha desligada da tomada de alimentação.
- Não utilize um produto que tenha sofrido alterações às suas especificações de fábrica.
- Desligue a ficha da fonte de alimentação elétrica e/ou retire a bateria, se amovível, da ferramenta elétrica antes de efetuar qualquer ajuste, mudar acessórios ou guardar ferramentas elétricas. Estas medidas de prevenção reduzem o risco de ligar a ferramenta eléctrica acidentalmente.
- Mantenha os punhos e as superfícies onde se segura secos, limpos e sem óleo nem massa lubrificante. Os punhos escorregadios e as superfícies onde se segura não permitem um controlo e um manuseamento seguros do produto em situações inesperadas.
- Não sobrecarregue o produto. Se sobrecarregar o produto, este poderá ser danificado.
- Mantenha o bom estado de todas as peças e certifique-se de que todas as fixações estão corretamente apertadas.

Equipamento de proteção pessoal



ATENÇÃO: Leia as instruções de aviso que se seguem antes de utilizar o produto.

- Utilize sempre equipamento de proteção pessoal adequado quando operar o produto. O equipamento de proteção pessoal não elimina o risco de ferimentos. O equipamento de proteção pessoal diminui a gravidade dos ferimentos em caso de acidente. Obtenha ajuda junto do seu concessionário para selecionar o equipamento certo.
- Utilize proteção ocular aprovada enquanto utiliza o produto.
- Utilize botas resistentes e antiderrapantes com biqueiras de aço.
- Utilize vestuário justo, mas que não limite os seus movimentos.
- Verifique regularmente o estado do equipamento de proteção pessoal.
- Utilize luvas de proteção resistentes aprovadas.
- Utilize luvas de proteção de borracha para prevenir as irritações da pele causadas pelo betão húmido.
- Utilize um capacete de proteção aprovado.
- Utilize sempre proteção auditiva aprovada enquanto opera o produto. A exposição prolongada a ruído pode causar perda da capacidade auditiva.
- O produto cria poeiras e vapores que são prejudiciais para a sua saúde. Utilize uma proteção respiratória aprovada.

- Certifique-se de que tem um kit de primeiros socorros por perto.
- Podem ocorrer faíscas ao utilizar o produto. Certifique-se de que tem um extintor de incêndio por perto.
- Não utilize vestuário largo, joias ou outros itens que possam ficar presos nas peças móveis. Coloque o seu cabelo acima dos ombros para maior segurança.

Dispositivos de segurança no produto

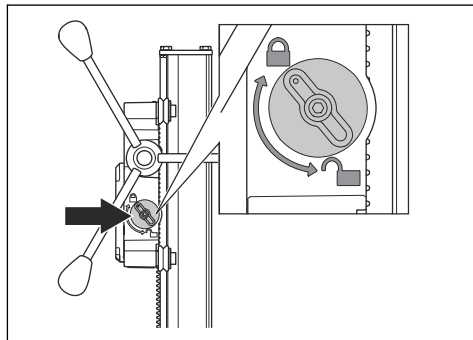


ATENÇÃO: Leia as instruções de aviso que se seguem antes de utilizar o produto.

- Não utilize o produto com dispositivos de segurança defeituosos.
- Verifique regularmente os dispositivos de segurança. Se os dispositivos de segurança estiverem defeituosos, fale com a sua oficina Husqvarna autorizada.

Verificar o bloqueio da unidade móvel

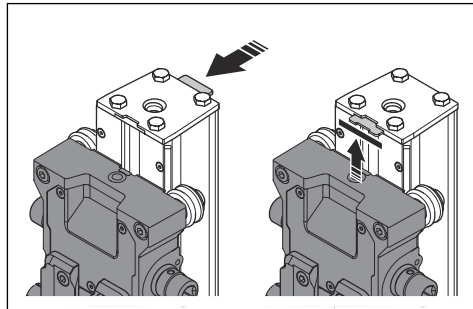
1. Rode o botão para bloquear a unidade móvel do motor.



2. Verifique manualmente que a unidade móvel está bloqueada para a coluna da broca.

Verificar o batente da coluna da broca

1. Coloque a placa de paragem na posição correta.



2. Certifique-se de que a unidade móvel do motor de perfuração para quando entra em contacto com a placa de paragem.

Instruções de segurança para manutenção



ATENÇÃO: A inspeção e/ou manutenção é efectuada com o motor desligado e com a ficha de retirada da tomada de corrente.

- Efetue a manutenção do produto e dos acessórios. Verifique quanto a desalinhamentos ou bloqueio de peças móveis, danos de peças e qualquer outra condição que possa afetar o funcionamento do produto. Se estiver danificado, repare o produto antes de o utilizar.
- Para a manutenção do seu produto, recorra a um revendedor de assistência Husqvarna, utilizando apenas peças de substituição idênticas.

Montagem

Introdução

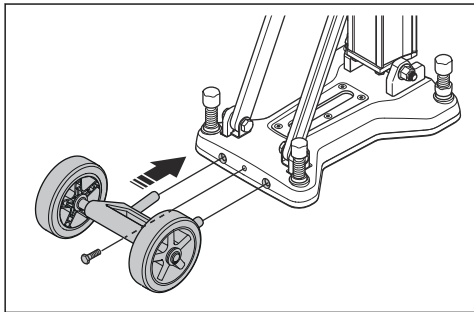
Esta secção descreve como montar e ajustar o produto.



ATENÇÃO: Antes de montar o produto, leia o capítulo de segurança e as instruções de montagem.

Fixar o kit de rodas (acessório)

1. Fixe o kit de rodas à parte traseira da placa inferior.



2. Aperte o parafuso.

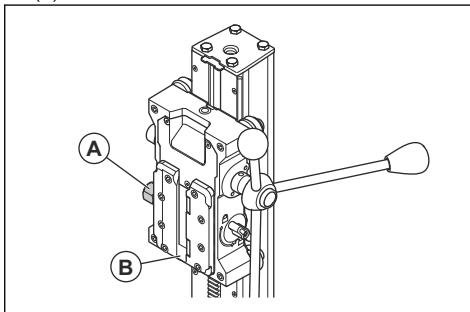
Fixar o motor de perfuração



ATENÇÃO: Retire sempre a ficha da tomada de corrente antes de efectuar trabalhos de limpeza, manutenção ou montagem.

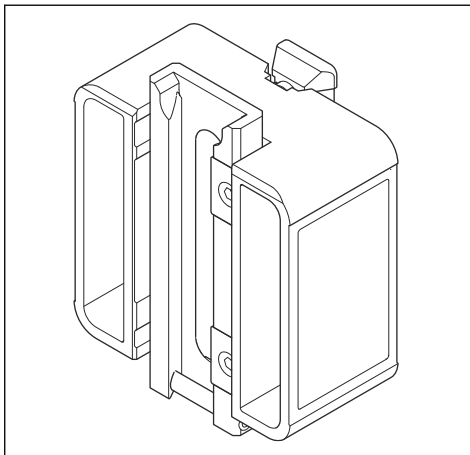
1. Desbloqueie a unidade móvel do motor de perfuração (A).
2. Fixe o motor de perfuração na calha (B) da unidade móvel do motor de perfuração.

3. Bloqueie a unidade móvel do motor de perfuração (A).



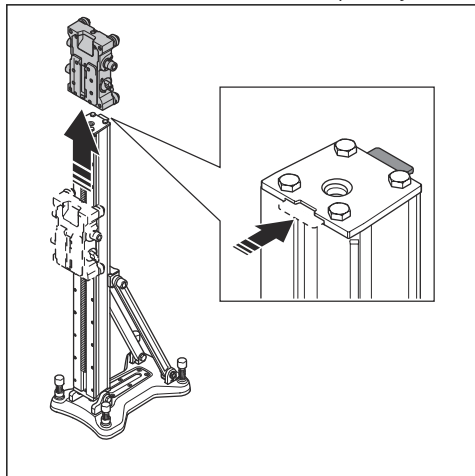
Espaçador rápido (acessório)

Utilize um espaçador rápido para perfurar orifícios com diâmetros grandes. Para seleccionar o espaçador rápido correto, consulte a secção *Diâmetro máximo de perfuração na página 39*. Monte o espaçador rápido no motor de perfuração antes de o fixar no suporte do perfurador.

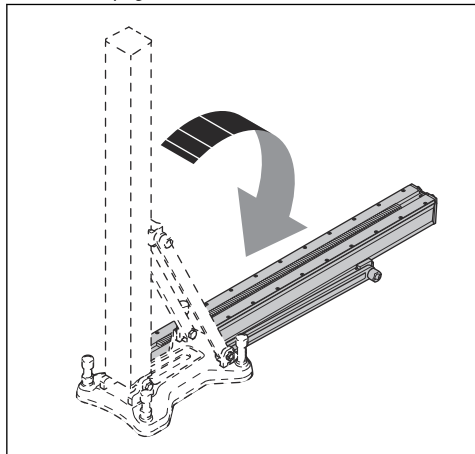


Substituir a coluna do suporte do perfurador (acessório)

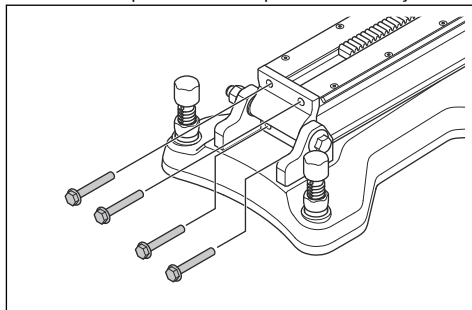
1. Empurre a placa de paragem para a posição aberta. Retire a unidade móvel do motor de perfuração.



2. Dobre a coluna do suporte do perfurador totalmente para trás. Consulte *Ajustar o ângulo da coluna da broca na página 36.*



3. Retire os 4 parafusos do suporte da dobradiça.



4. Retire a coluna do suporte do perfurador.
5. Instale a coluna do suporte do perfurador pela ordem inversa.

Instalação

Procedimentos para a instalação do suporte do perfurador

Existem 3 procedimentos que podem ser utilizados para fixar o suporte do perfurador antes da perfuração:

- Com um parafuso de expansão.
- Com uma base de vácuo.

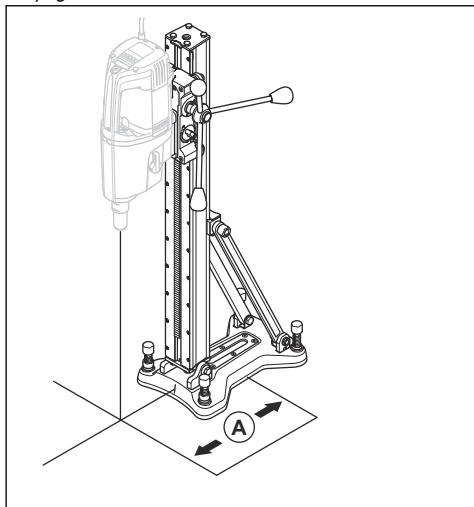
- Com uma haste com rosca, uma anilha e uma porca de fixação

Fixar o suporte do perfurador com um parafuso de expansão

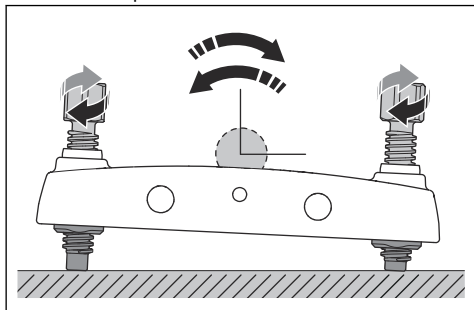


ATENÇÃO: Ao realizar perfurações em tetos e paredes, deve utilizar apenas o parafuso de extensão ou a âncora adequados a superfícies expostas a forças tensoras. Utilize apenas o expansor ou a âncora aprovados para a aplicação corrente.

1. Perfure um orifício para o parafuso de expansão. Consulte *Fixar o parafuso de expansão na página 34*. Meça uma distância (A) de 335 mm (13,2 pol.) a partir do centro do orifício que vai perfurar. Se utilizar o espaçador rápido (acessório), a distância altera. Consulte *Espaçador rápido (acessório) na página 32*.

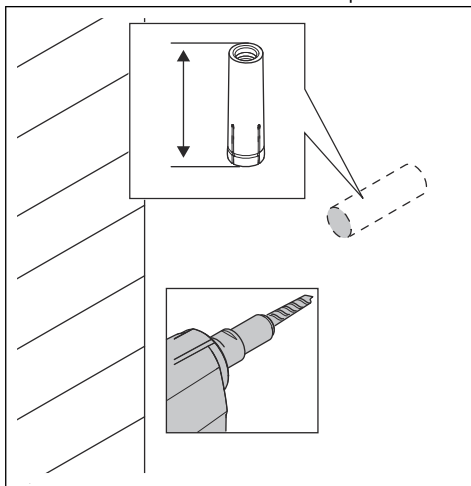


2. Fixe a placa inferior com um parafuso de expansão.
3. Certifique-se de que o suporte do perfurador está bem apertado.
4. Se necessário, substitua a placa inferior. Utilize os parafusos de ajuste do nível para ajustar a placa inferior à superfície.

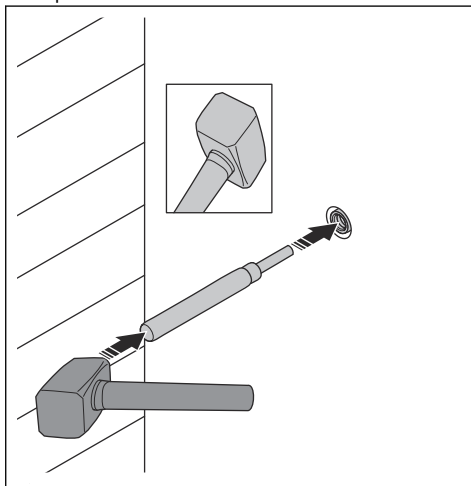


Fixar o parafuso de expansão

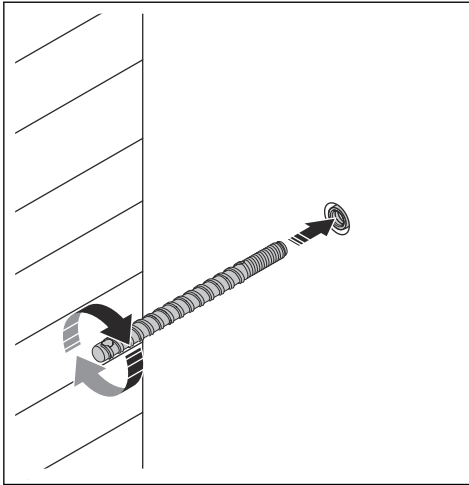
1. Perfure um orifício para o parafuso de expansão. Certifique-se de que a profundidade é suficiente. O encaixe tem de ser colocado sob a superfície.



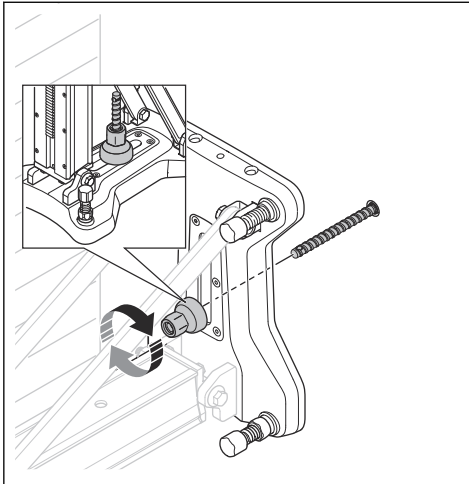
2. Utilize o mandril e um martelo para instalar o expansor.



3. Instale o parafuso de ancoragem.



4. Instale o suporte do perfurador com a porca.



Fixar o suporte do perfurador com uma base de vácuo Husqvarna



ATENÇÃO: Não utilize o suporte do perfurador em combinação com a base de vácuo ao realizar perfurações em paredes ou tetos.

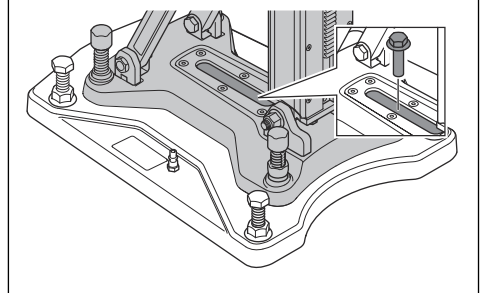


ATENÇÃO: A superfície de suporte tem de ser plana e de boa qualidade. O suporte do perfurador pode soltar-se se a base de vácuo não vedar totalmente contra a superfície.



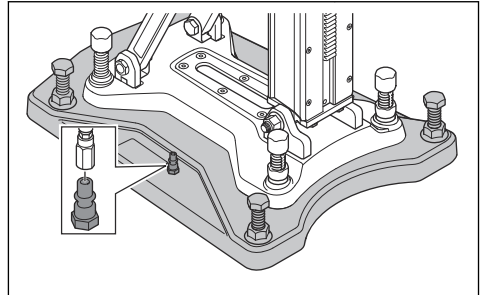
ATENÇÃO: Apenas se recomenda a utilização da base de vácuo em conjunto com as máquinas de perfuração Husqvarna DM 220, DM 280 ou DM 340. A utilização de outras máquinas de perfuração pode fazer com que o suporte do perfurador se solte.

1. Fixe a base de vácuo com o parafuso.



2. Solte os parafusos de ajuste do nível. Devem ser acima da parte inferior da base de vácuo.

3. Ligue a mangueira de vácuo e arranque a bomba.



CUIDADO: A pressão mínima deve ser de -0,85 bar para vedar bem a base de vácuo à superfície.

4. Aperte os parafusos de nivelamento até começar a sentir pressão no parafuso.



ATENÇÃO: Os parafusos de ajuste do nível devem tocar na superfície quando utiliza a base de vácuo. Se tal não acontecer, a base de vácuo pode soltar-se.

Fixar o suporte do perfurador com uma haste com uma rosca

Caso não seja possível fixar o suporte do perfurador à parede ou teto com um parafuso de expansão, utilize uma haste totalmente transversal. Utilize anilhas e porcas para apertar a haste totalmente transversal.

Funcionamento

Antes de utilizar o produto



ATENÇÃO: Esta máquina foi concebida para e destina-se a perfurar cimento, tijolo e diferentes materiais de pedra. Todas as outras utilizações são inadequadas.



ATENÇÃO: Antes de qualquer perfuração, verifique se todos os parafusos de bloqueio estão bem apertados. Podem ocorrer acidentes graves se o núcleo do betão permanecer na broca ao afastar o motor de perfuração/a broca do solo, da parede ou do teto.



ATENÇÃO: Ao realizar perfurações em tetos, utilize sempre um coletor de água aprovado para o motor de perfuração ou um motor de perfuração hidráulico. Há o risco de a broca e do suporte se ligarem no caso de entrar água dentro da máquina.

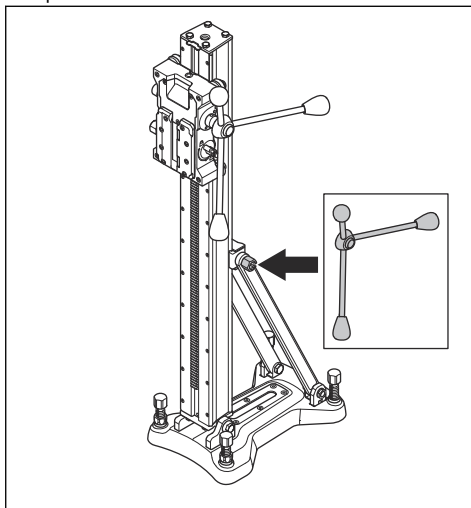


ATENÇÃO: Certifique-se de que o batente está instalado e funcional.

1. Leia o manual do utilizador com atenção e certifique-se de que compreende as instruções.
2. Mantenha a área de trabalho limpa e brilhante para evitar acidentes.
3. Efetue a manutenção diária. Consulte *Manutenção diária do suporte do perfurador na página 36*.
4. Use equipamento de proteção pessoal. Consulte *Equipamento de proteção pessoal na página 31*.

Ajustar o ângulo da coluna da broca

1. Desaperte o parafuso de bloqueio que bloqueia a coluna da broca e defina o ângulo de perfuração aplicável.



2. Utilize o indicador de ângulo para um ajuste aproximado. Se for necessária uma precisão superior, utilize métodos alternativos para medir.
3. Aperte o parafuso de bloqueio da coluna da broca. Utilize a alavanca de alimentação. A coluna da broca pode ser inclinada entre 0 e 90°.

Manutenção

Introdução



ATENÇÃO: Certifique-se de que leu e compreendeu o capítulo sobre segurança antes de realizar tarefas de manutenção no produto.



ATENÇÃO: Para evitar ferimentos, desligue o cabo de alimentação antes de efetuar a manutenção.

- Limpe a superfície externa do suporte do perfurador.
- Certifique-se de que a alavanca de alimentação se move sem a resistência.
- Certifique-se de que as engrenagens se movem facilmente e que não provocam um ruído.
- Examine a coluna da broca; procure desgaste ou danos.
- Certifique-se de que a unidade móvel do motor de perfuração se move facilmente e de que não existe folga contra a coluna da broca.

Manutenção diária do suporte do perfurador

- Certifique-se de que as porcas e os parafusos estão apertados.

Limpar e lubrificar o suporte do perfurador



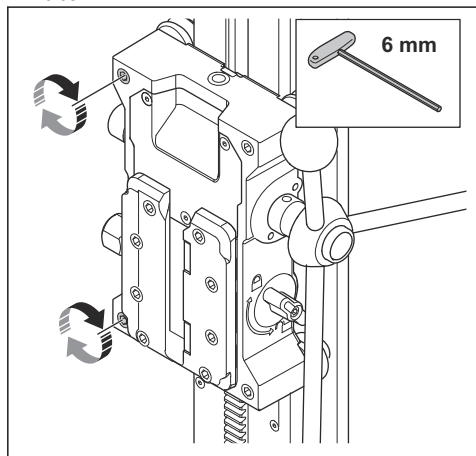
CUIDADO: Se não limpar o suporte do perfurador, este pode ficar danificado.

1. Retire o motor de perfuração.
2. Limpe o suporte do perfurador com uma máquina de lavar de alta pressão e retire a água restante com um pano seco.
3. Lubrifique as peças móveis do suporte do perfurador. Aplique massa lubrificante nas superfícies de contacto para evitar a corrosão.

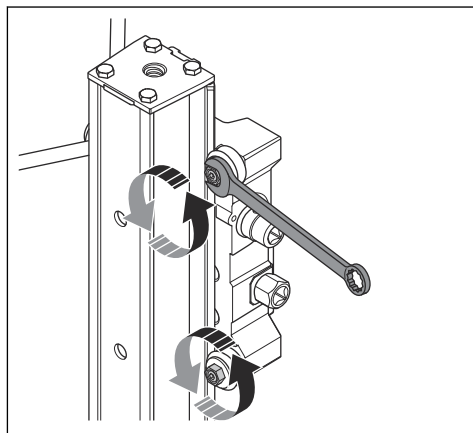
Ajustar a unidade móvel do motor de perfuração

Se existir uma distância entre a coluna da broca e a unidade móvel do motor de perfuração, a respetiva unidade móvel do motor de perfuração tem de ser ajustada.

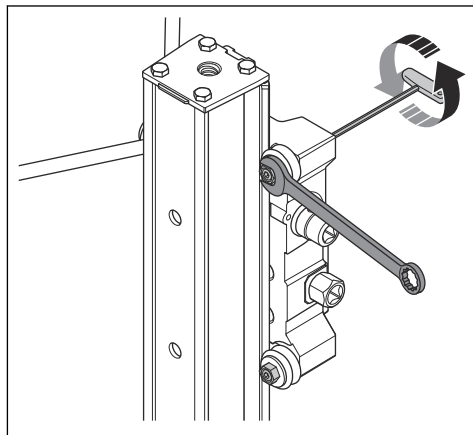
1. Desaperte os parafusos que fixam os eixos dos rolos.



2. Ajuste os eixos dos rolos. Rode o parafuso para a esquerda para mover as rodas de guia na direção da coluna da broca.

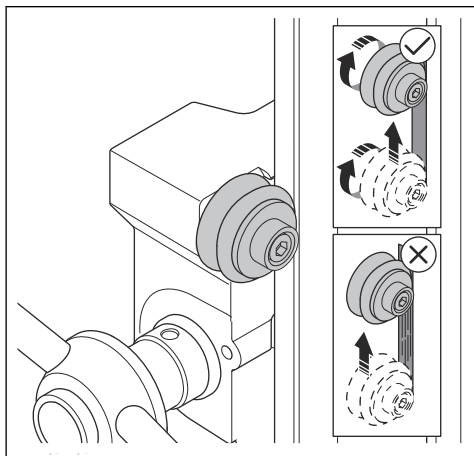


3. Bloqueie a posição da roda de guia com uma chave. Aperte o parafuso para bloquear o eixo do rolo com uma chave sextavada.



Nota: Depois de apertar os eixos dos rolos, tem de ser possível movê-los com a alavanca de alimentação mas não manualmente.

4. Utilize a alavanca de alimentação para mover a unidade móvel do motor para cima e para baixo. Certifique-se de que a unidade móvel do motor de perfuração se move suavemente na coluna da broca. Os eixos dos rolos têm de rodar, mas não se pode mover. Se necessário, ajuste novamente os eixos dos rolos.



Transporte e armazenamento

Transporte e armazenamento

- Fixe o produto de forma segura durante o transporte para evitar danos e acidentes.
- As rodas de transporte acessórias podem ser utilizadas para transportar o suporte com a unidade de perfuração instalada.
- Sem as rodas de transporte, é necessário desmontar a unidade de perfuração do suporte durante o transporte, uma vez que o peso de elevação combinado é superior a 25 kg.
- Mantenha o produto numa área trancada para impedir o acesso a crianças ou pessoas que não disponham de aprovação.
- Mantenha a máquina de perfuração e o suporte num local seco e isento de geadas.

Especificações técnicas

Especificações técnicas

Dimensões	
Altura, mm/pol.	1050/41,3
Largura, mm/pol.	240/9,4
Profundidade, mm/pol.	395/15,5
Peso, kg/lbs	17/37,4
Curso, mm/pol.	700/27,5
Carga máx. (no punho), kg/lbs	120/264,5
Ângulo da coluna da broca	0 a 90°

Diâmetro máximo de perfuração

Motor de perfuração	Sem espaçador rápido, mm/pol.	Com espaçador rápido, mm/pol.
DM 650	400/15,7	500/19,7
DM 280/340	370/14,6	470/18,5

Assistência

Centro de assistência aprovado

Para encontrar o centro de assistência aprovado Husqvarna Construction Products mais próximo, acesse ao website .

Declaração CE de conformidade

Declaração CE de conformidade

A **Husqvarna AB**, SE-561 82 Huskvarna, Suécia, tel.:
+46-36-146500, declara, sob sua inteira
responsabilidade, que o produto:

Descrição	Suporte do perfurador
Marca	Husqvarna
Tipo/Modelo	DS 500
Identificação	Números de série referentes a 2019 e posteriores

está em plena conformidade com as seguintes diretivas
e regulamentos da UE:

Diretiva/Regulamento	Descrição
2006/42/CE	"relativa a máquinas"

e que as seguintes normas harmonizadas e/ou
especificações técnicas são aplicadas;

EN ISO 12100:2010

EN 12348:2000+A1:2009

EN 62841-3-6:2014+A11:2017

Partille, 2019-02-25



Edvard Gulis

Diretor global de I&D

Serragem e perfuração de betão

Husqvarna AB, divisão de Construção



www.husqvarnacp.com

Original instructions
Instrucciones originales
Instruções originais

1141275-30



2019-03-07