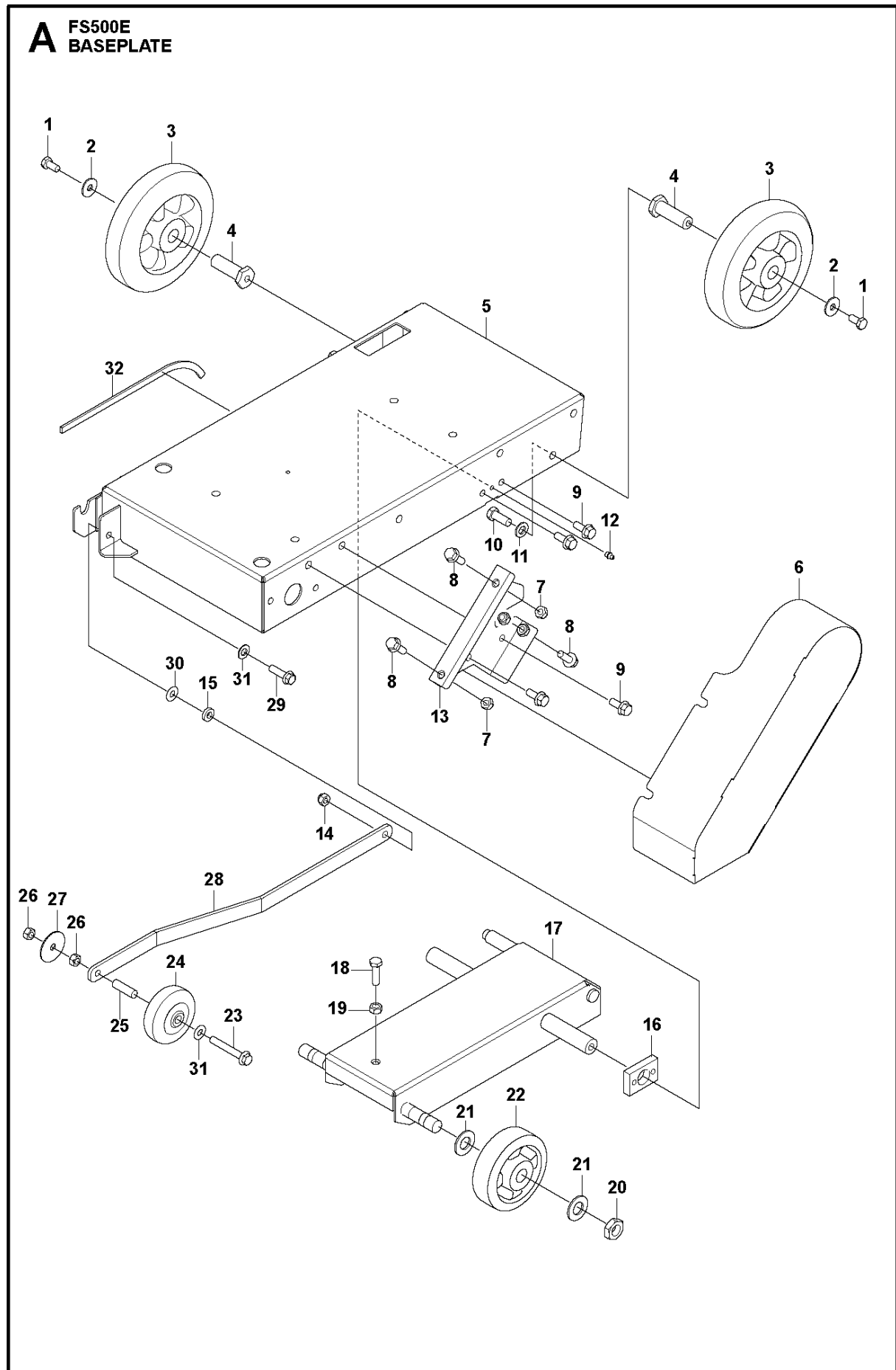




# SPARE PARTS LIST

FLOOR SAWS

FS 500 E, 2019-08

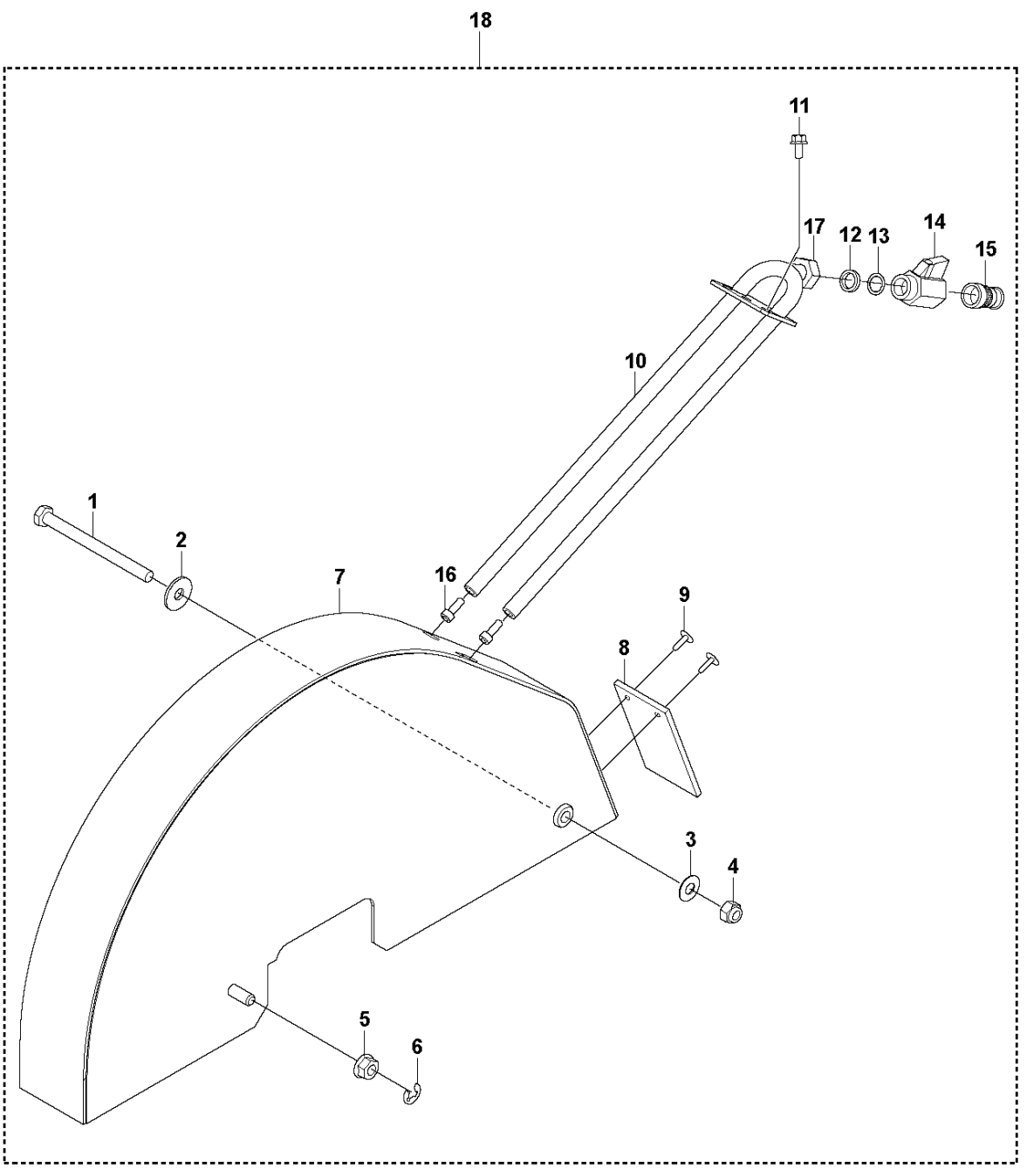


## BASE PLATE

FS 500 E, 2019-08

Ref	Part No	Description	Remark	QTY KIT
1	725 24 91-71	SCREW EHHM		2
2	734 11 74-41	WASHER		2
3	543 04 59-51	WHEEL		2
4	543 04 25-15	WHEEL AXLE		2
5	596 86 35-01	BASEPLATE		1
6	597 03 98-01	BELT GUARD		1
7	732 25 20-01	HEXAGON LOCKING NUT		3
8	585 98 04-01	SCREW EHHFM		3
9	585 97 31-01	SCREW EHHFM		6
10	725 25 36-71	SCREW EHHM		2
11	734 11 78-01	WASHER		2
12	504 20 45-01	GREASE		2
13	597 03 91-01	BRACKET		1
14	732 25 20-01	HEXAGON LOCKING NUT		1
15	543 04 66-33	WASHER		1
16	543 04 19-59	CLAMP		2
17	544 95 04-01	CARRIAGE		1
18	725 24 97-71	SCREW EHHM		1
19	731 23 20-01	HEXAGON NUT		1
20	543 04 47-57	NUT		2
21	543 04 02-17	TOOL		4
22	543 04 59-49	WHEEL		2
23	725 25 05-51	SCREW EHHM		1
24	543 04 59-32	WHEEL		1
25	542 20 20-75	BUSHING		1
26	731 23 20-01	HEXAGON NUT		2
27	542 20 21-06	WASHER		1
28	504 06 91-01	POINTER		1
29	725 24 97-71	SCREW EHHM		1
30	543 04 47-32	WASHER		1
31	734 11 72-01	WASHER		2
32	543 04 60-68	SEALING STRIP		1

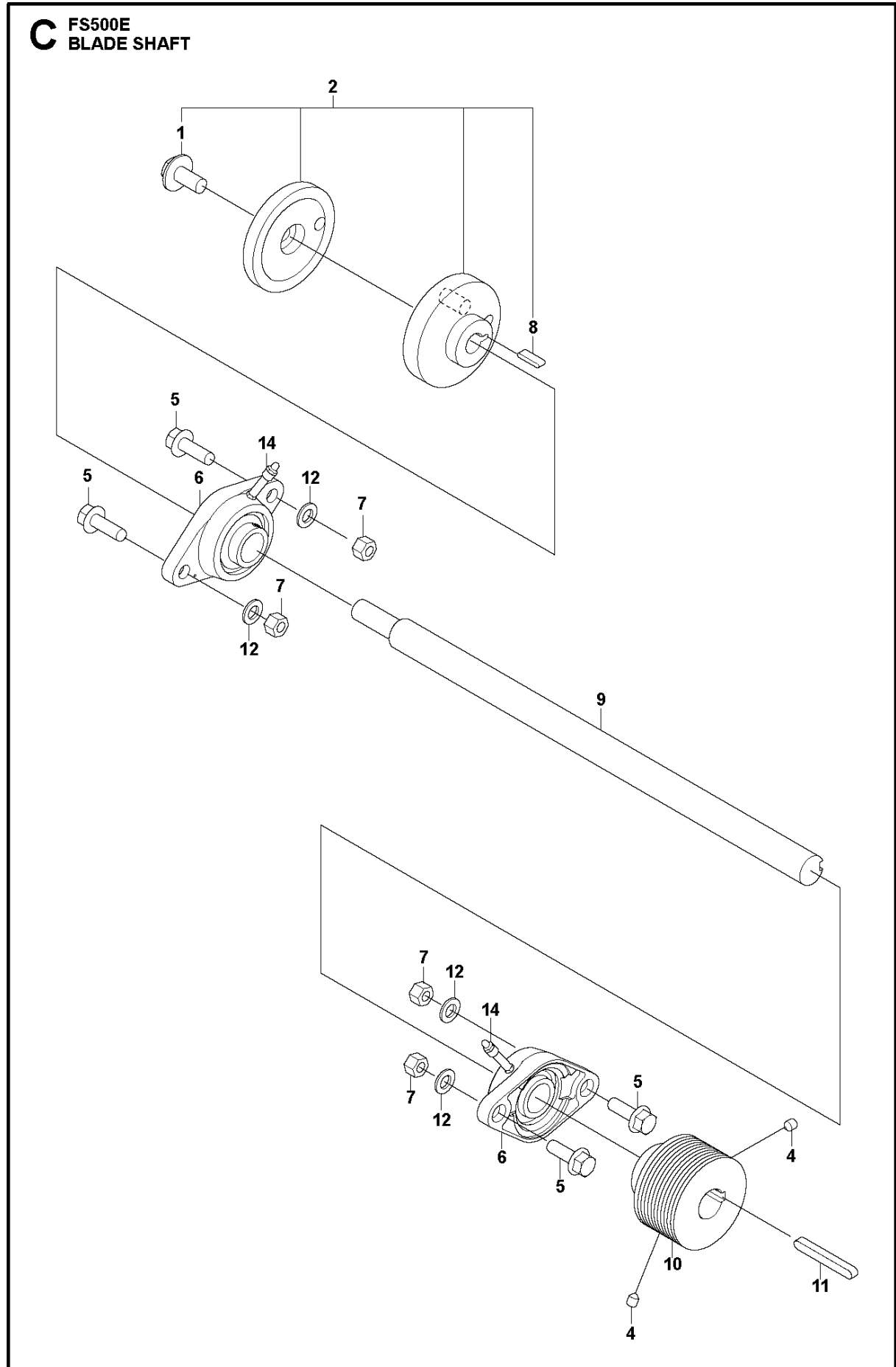
**B** FS500E  
BLADE GUARD



## BLADE GUARD

FS 500 E, 2019-08

Ref	Part No	Description	Remark	QTY KIT
1	725 25 15-71	SCREW EHHM		1
2	734 11 74-41	WASHER		1
3	543 04 47-32	WASHER		1
4	732 25 20-01	HEXAGON LOCKING NUT		1
5	731 71 20-51	HEXAGON NUT FLANGE		1
6	502 08 30-01	LOCKWASHER		1
7	590 77 05-01	BLADE GUARD		1
8	543 04 28-75	DEFLECTOR		1
9	722 79 52-02	RIVET		2
10	593 11 17-01	NOZZLE ASSY		1
11	585 97 33-01	SCREW EHHFM		1
12	543 04 55-60	COLLET		1
13	735 58 12-10	LOCKWASHER		1
14	543 04 55-39	TAP		1
15	543 04 56-10	ADAPTER		1
16	725 53 68-01	SCREW IHSCM		2
17	543 04 55-61	NUT		1
18	598 58 08-01	BLADE GUARD		1

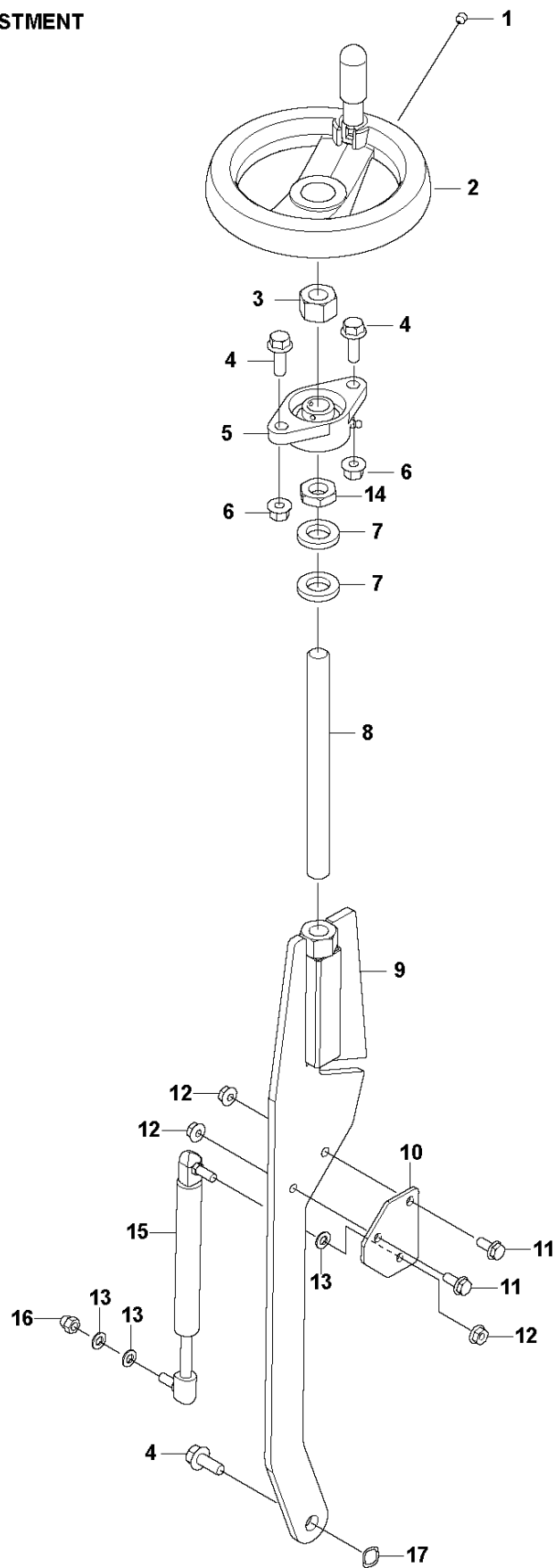


## BLADE SHAFT

FS 500 E, 2019-08

Ref	Part No	Description	Remark	QTY	KIT
1	543 07 73-44	SCREW		1	
2	598 57 34-01	FLANGE		1	1
4	728 74 45-06	SCREW IHSETM		2	
5	585 98 04-01	SCREW EHHFM		4	
6	543 04 50-52	BEARING		2	
7	732 25 20-01	HEXAGON LOCKING NUT		4	
8	581 49 28-01	KEY		1	
9	596 55 48-01	BLADE SHAFT		1	
10	543 04 65-71	BLADE SHAFT		1	
11	543 04 47-96	KEY		1	
12	734 11 72-01	WASHER		4	
14	598 58 10-01	TUBE		2	

**D** FS500E  
HEIGHT ADJUSTMENT



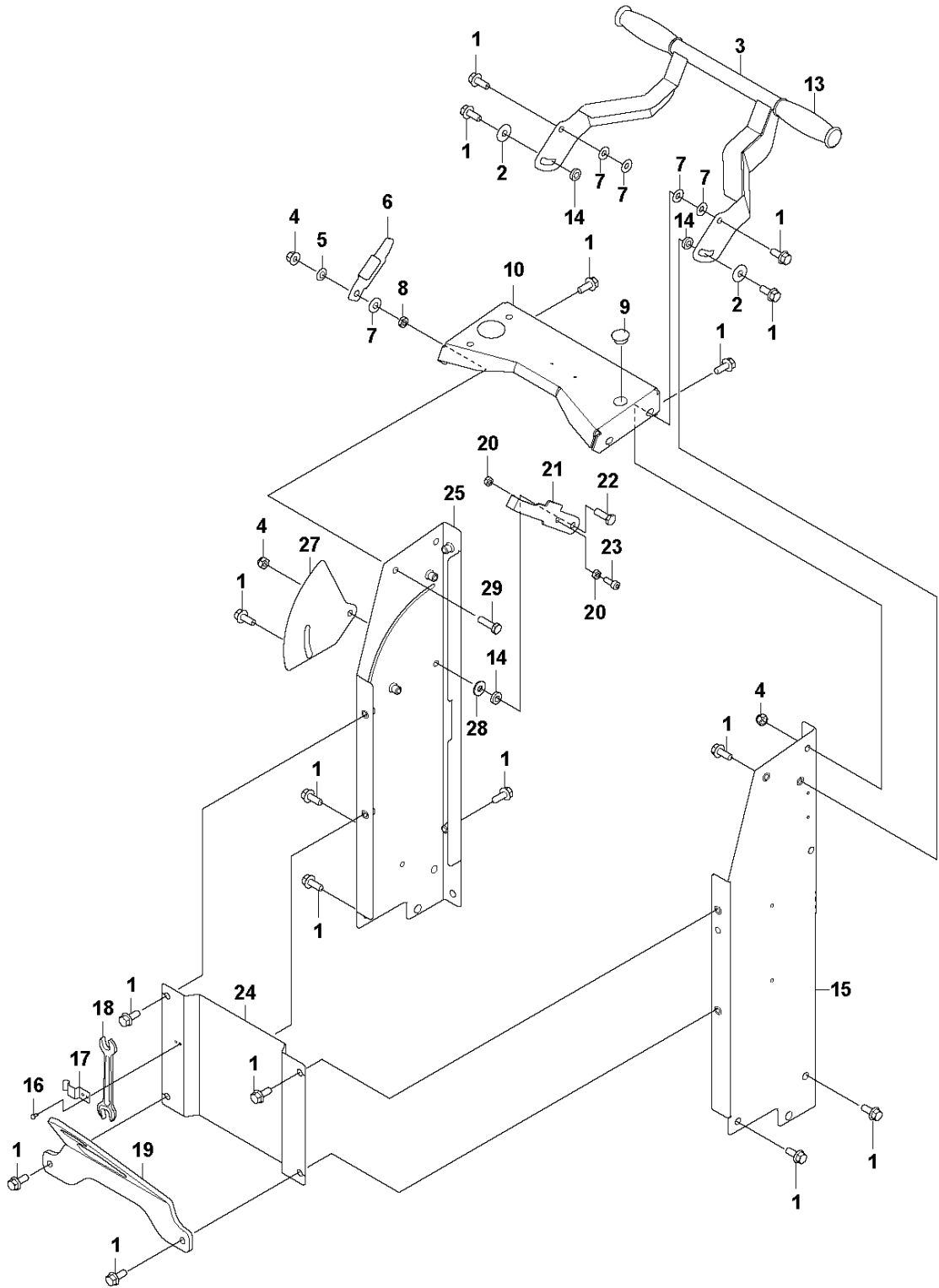


## HEIGHT ADJUSTMENT

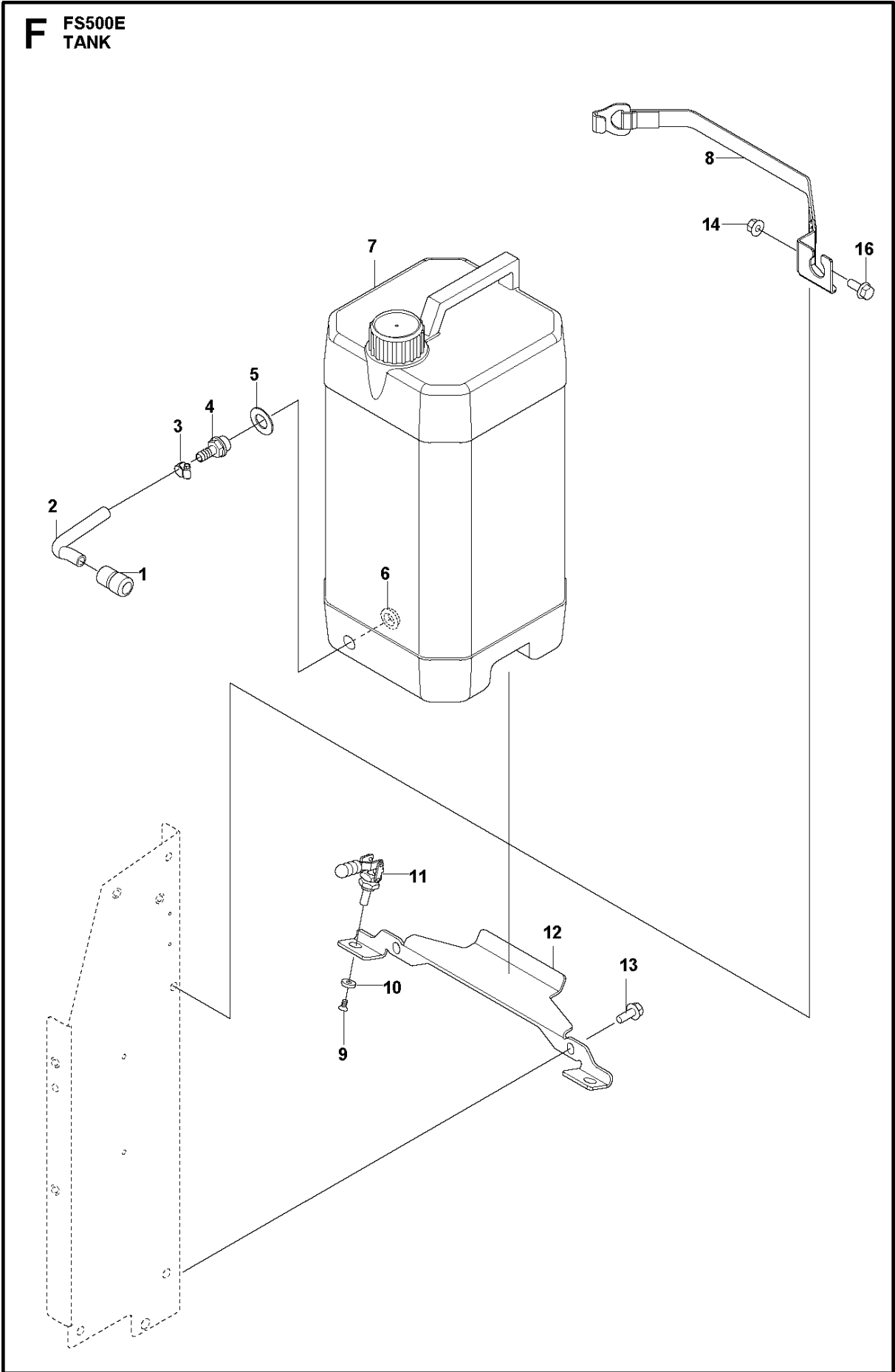
FS 500 E, 2019-08

Ref	Part No	Description	Remark	QTY KIT
1	728 74 45-06	SCREW IHSETM		1
2	543 07 62-94	HANDLE		1
3	543 04 47-72	NUT		1
4	585 97 31-01	SCREW EHHFM		3
5	543 04 50-44	PALIER FY TB 20 TF/		1
6	731 71 20-51	HEXAGON NUT FLANGE		2
7	593 92 81-01	SPACER		2
8	543 04 28-61	HEIGHT ADJUSTER		1
9	590 77 40-01	HEIGHT ADJUSTER		1
10	543 07 45-26	GAS SPRING		1
11	585 97 54-01	SCREW EHHFM		2
12	731 71 18-51	HEXAGON NUT FLANGE		3
13	734 11 63-01	WASHER		3
14	590 91 43-01	LOCKING PLATE		1
15	543 07 62-93	SPRING		1
16	543 04 47-66	NUT		1
17	543 85 03-52	WASHER		1

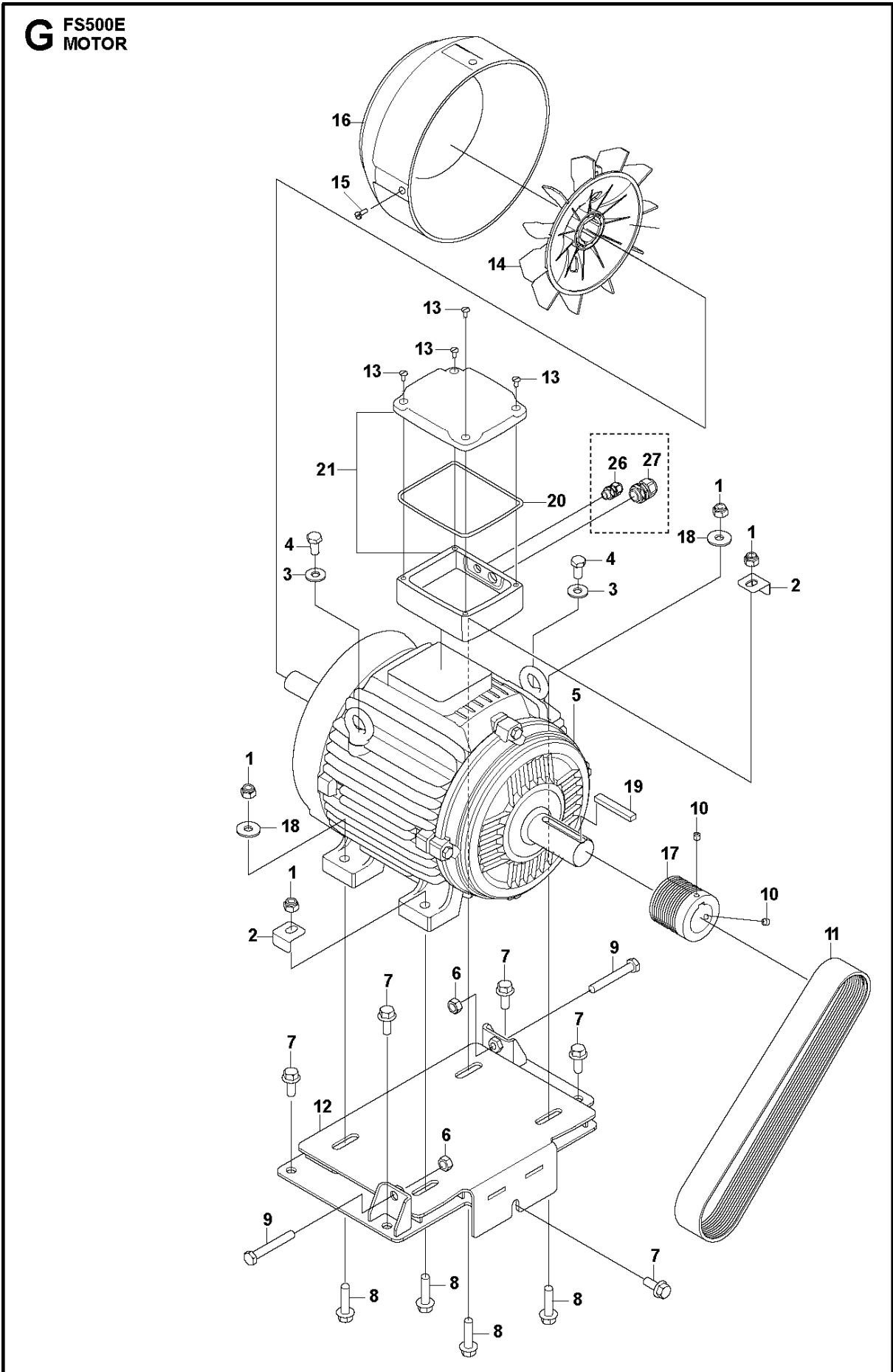
**E** FS500E  
COWL



Ref	Part No	Description	Remark	QTY KIT
1	585 97 31-01	SCREW EHHFM		18
2	734 11 74-41	WASHER		2
3	597 42 80-01	HANDLE		1
4	732 25 20-01	HEXAGON LOCKING NUT		4
5	574 83 80-01	WASHER		1
6	543 07 66-51	PLATE		1
7	543 04 47-32	WASHER		5
8	731 23 20-01	HEXAGON NUT		1
9	597 28 14-01	COVER		1
10	504 06 85-01	CONSOLE		1
13	542 13 95-68	GRIP		2
14	543 04 66-33	WASHER		3
15	544 95 06-04	PANEL		1
16	543 85 01-03	RIVET		2
17	543 04 62-03	SPRING		1
18	543 04 59-04	WRENCH		1
19	597 14 73-01	BRACKET		1
20	731 23 18-01	HEXAGON NUT		2
21	590 77 44-01	DEPTH GAUGE		1
22	725 24 95-71	SCREW EHHM		1
23	725 54 51-01	SCREW IHSCM		1
24	544 94 98-01	PROTECTIVE PLATE		1
25	544 95 05-01	PANEL		1
27	591 43 45-01	PLATE		1
28	543 04 66-33	WASHER		1
29	725 24 97-71	SCREW EHHM		1



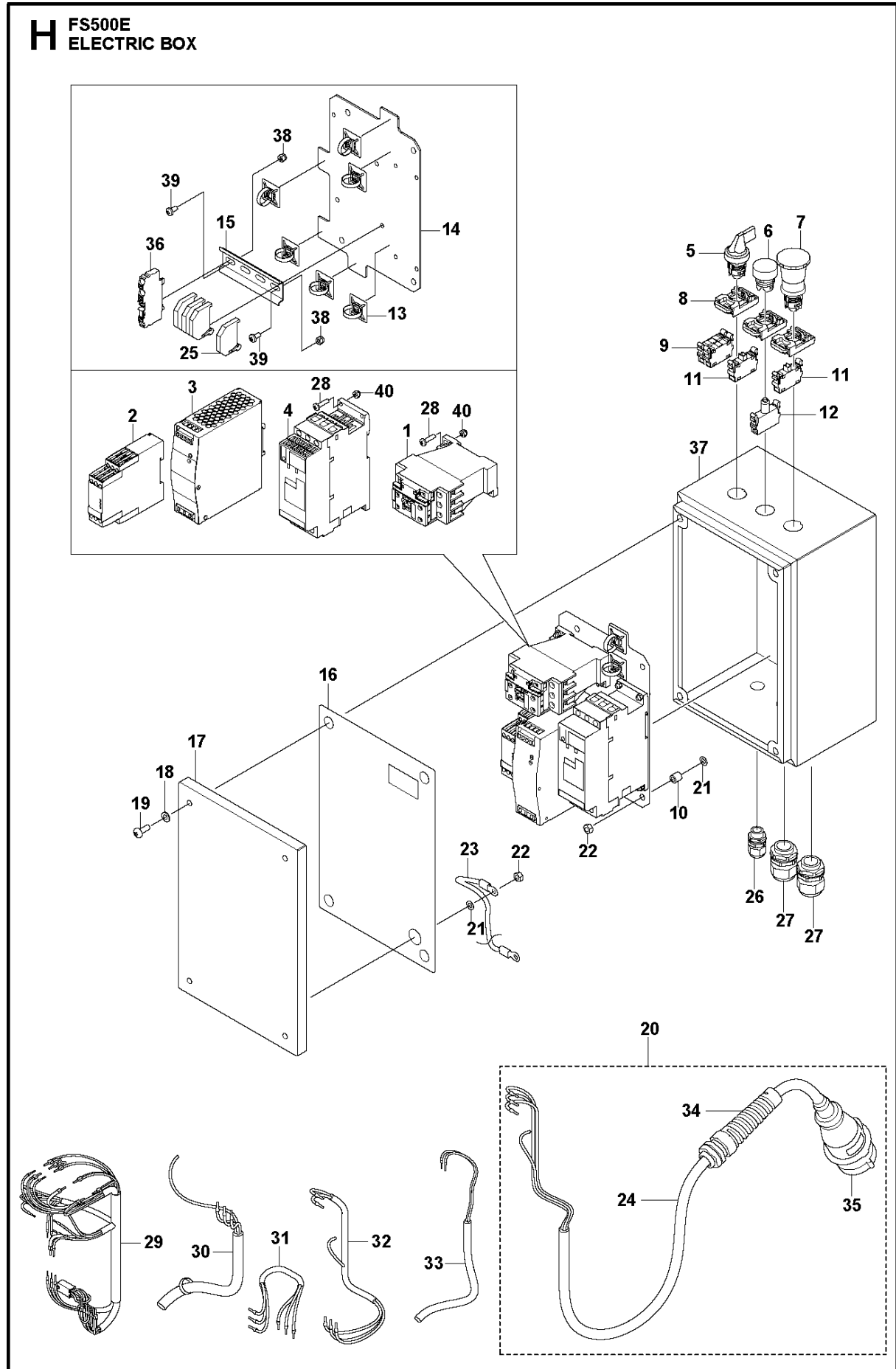
Ref	Part No	Description	Remark	QTY KIT
1	543 04 56-12	QUICK COUPLING		1
2	543 04 55-80	HOSE		1
3	543 85 03-44	CLIP		1
4	585 97 54-01	SCREW EHHFM		1
5	589 34 67-01	WASHER		1
6	543 85 01-29	NUT		1
7	543 04 55-98	BIDON PEHD NATUREL 30L/130/125		1
8	597 25 04-01	BELT		1
9	725 63 66-01	SCREW IHCSFM		2
10	590 29 75-01	WASHER		2
11	590 15 19-01	STRAINER		2
12	597 15 19-01	SUPPORT		1
13	585 97 31-01	SCREW EHHFM		2
14	576 64 57-04	NUT FLANGE		1
16	585 97 54-01	SCREW EHHFM		1



## MOTOR

FS 500 E, 2019-08

Ref	Part No	Description	Remark	QTY KIT
1	732 25 20-01	HEXAGON LOCKING NUT		4
2	597 05 05-01	PLATE		2
3	574 83 80-01	WASHER		2
4	725 24 91-71	SCREW EHHM		2
5	596 53 76-01	MOTOR		1
6	731 23 20-01	HEXAGON NUT		2
7	585 97 31-01	SCREW EHHFM		5
8	585 97 53-01	SCREW EHHFM		4
9	725 25 05-71	SCREW EHHM		2
10	728 74 45-06	SCREW IHSETM		2
11	588 76 86-01	BELT		1
12	597 01 71-01	BRACKET		1
13	723 13 29-51	SCREW SLCHM		2
14	598 43 87-01	FAN		1
15	723 13 20-51	SCREW SLCHM		4
16	598 43 88-01	FAN COVER		1
17	596 57 72-01	PULLEY		1
18	734 11 74-41	WASHER		2
19	ELAINE	TBD		1
20	598 43 86-01	SEALING		1
21	598 43 85-01	SHROUD		1



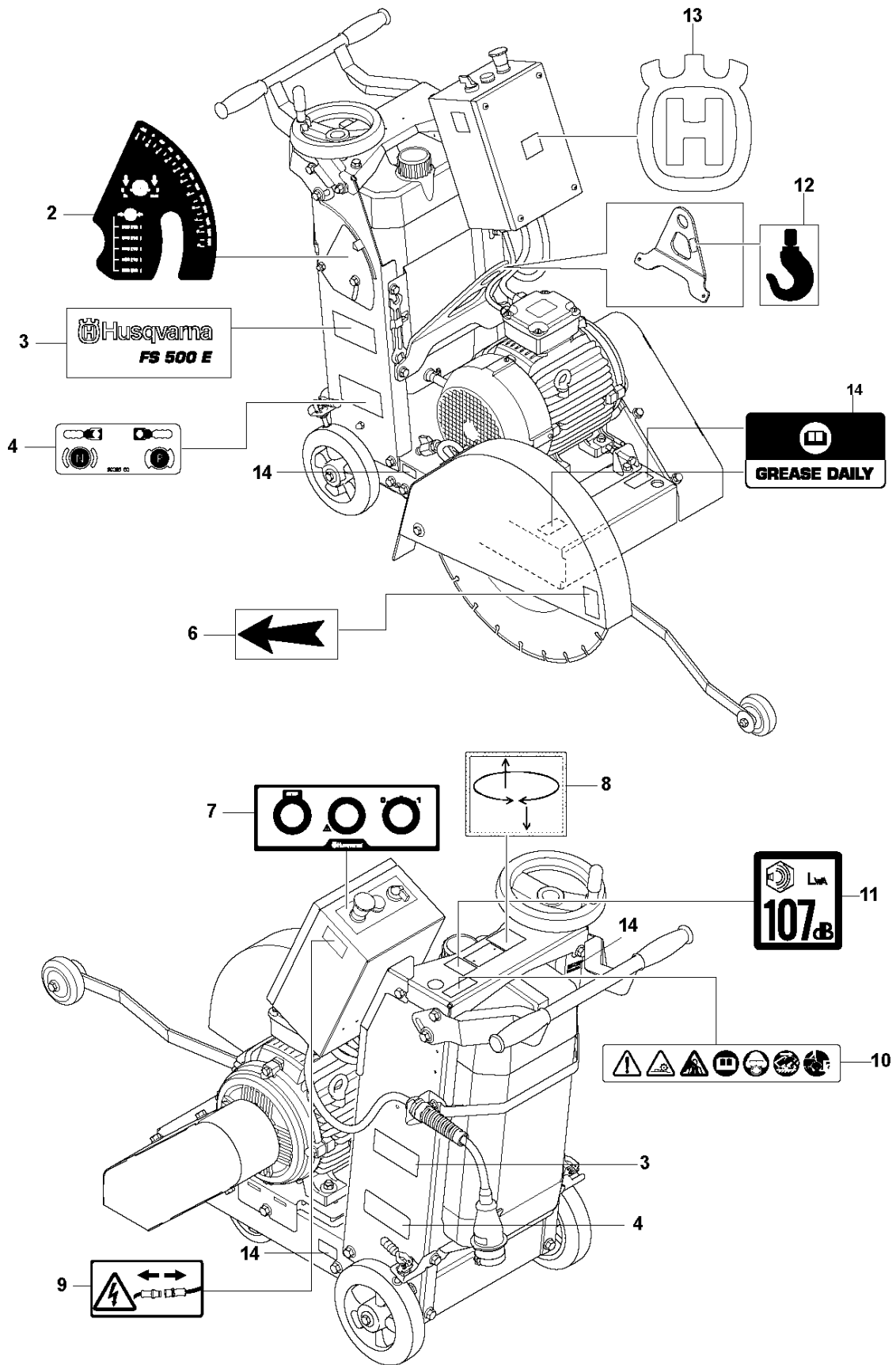


## ELECTRIC BOX

FS 500 E, 2019-08

Ref	Part No	Description	Remark	QTY KIT
1	597 63 22-01	CONTACTOR	400V 7.5kW 24VDC	1
2	596 92 25-01	RELAY		1
3	595 74 74-01	POWER SUPPLY		1
4	596 92 24-01	ELECTRIC STARTER		1
5	585 63 79-01	SWITCH		1
6	585 58 18-02	LAMP		1
7	585 63 80-01	BUTTON		1
8	585 63 76-01	BASE		1
9	597 63 23-01	TERMINAL BLOCK		1
10	597 90 79-01	SPACER		1
11	510 43 14-01	TERMINAL BLOCK		2
12	597 11 68-01	LAMP		1
13	598 00 98-01	ATTACHMENT PLATE		6
14	596 87 12-01	MOUNTING PLATE		1
15	597 09 42-01	RAIL		1
16	586 46 70-02	SEALING		1
17	596 95 67-01	LID		1
18	734 11 52-01	WASHER		1
19	724 13 68-51	SCREW CRPANM		1
20	598 43 89-01	CABLE ASSY		1
21	735 21 53-01	LOCKWASHER		1
22	731 23 16-01	HEXAGON NUT		2
23	593 59 18-01	HARNESS ASSY		1
24	597 33 80-01	WIRING ASSY		1
25	585 36 61-05	TERMINAL BLOCK		4
26	522 66 03-01	GROMMET		1
27	516 06 18-01	GROMMET		2
28	724 12 93-51	SCREW CRPANM		6
29	597 17 47-01	WIRING ASSY		1
30	597 33 81-01	WIRING ASSY		1
31	597 68 63-01	WIRING ASSY		1
32	597 17 48-01	WIRING ASSY		1
33	597 33 82-01	WIRING ASSY		1
34	597 47 18-01	GROMMET		1
35	597 77 08-01	CONTACT		1
36	502 54 38-01	TERMINAL BLOCK		1
37	596 57 85-01	ELECTRONIC BOX		1
38	732 25 14-01	HEXAGON LOCKING NUT		2
39	724 13 25-51	SCREW CRPANM		2
40	732 25 12-01	HEXAGON LOCKING NUT		6

**J** FS500E  
DECALS



## DECALS

FS 500 E, 2019-08

Ref	Part No	Description	Remark	QTY KIT
2	591 43 46-01	DECAL		1
3	597 11 06-01	DECAL		2
4	590 56 76-01	STICKER		2
5	inga	TBD		
6	543 85 00-37	STICKER		1
7	585 55 11-01	LABEL		1
8	543 07 12-67	LABEL		1
9	523 35 05-01	STICKER		1
10	543 04 58-53	DECAL		1
11	590 95 36-01	DECAL		1
12	598 57 05-01	DECAL	525 51 27 01 (Gammal NP)	1
13	576 97 34-01	DECAL		1
14	597 91 79-01	DECAL		5