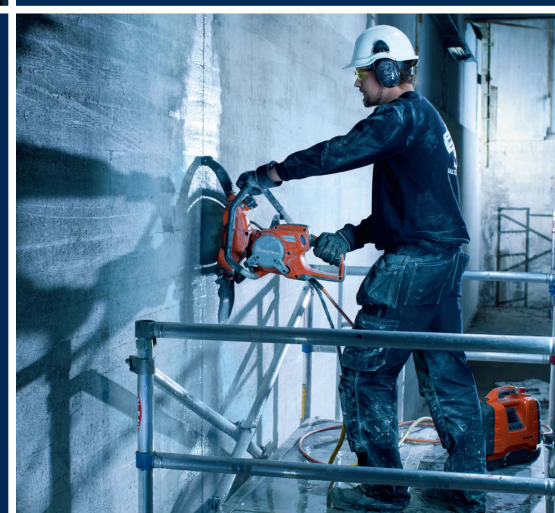




Husqvarna®



**Operator's manual Manuel d'utilisation Gebruiksaanwijzing Istruzioni per l'uso
Manual de instrucciones Bedienungsanweisung Instruções para o uso**

FS 3500 G

Please read the operator's manual carefully and make sure you understand the instructions before using the machine.

Lire attentivement et bien assimiler le manuel d'utilisation avant d'utiliser la machine.

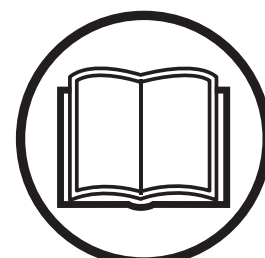
Neem de gebruiksaanwijzing grondig door en gebruik de machine niet voor u alles duidelijk heeft begrepen.

Prima di usare la macchina, leggere per intero le istruzioni per l'uso e accertarsi di averne compreso il contenuto.

Lea detenidamente el manual de instrucciones y asegúrese de entender su contenido antes de utilizar la máquina.

Lesen Sie die Bedienungsanweisung sorgfältig durch und machen Sie sich mit dem Inhalt vertraut, bevor Sie das Gerät benutzen.

Leia as instruções para o uso com toda a atenção e compreenda o seu conteúdo antes de fazer uso da máquina.



**GB FR NL IT
ES DE PT**

KEY TO SYMBOLS

Symbols on the machine:

Some of the symbols below refer to the CE market.

WARNING! The machine can be a dangerous tool if used incorrectly or carelessly, which can cause serious or fatal injury to the operator or others.



Please read the operator's manual carefully and make sure you understand the instructions before using the machine.



Wear personal protective equipment. See instructions under the "Personal protective equipment" heading.



All movement of the machine outside the cutting area shall be carried out with the tool not in rotation.



Remove the blade prior to hoisting, loading, unloading and transporting the machine.



Arrow on tool guard indicating the direction of tool rotation.



The guards should always be fitted on the machine. Never allow blade exposure to exceed 180°.



Check the cutting attachment. Never use blunt, cracked or damaged equipment.



The blades should be marked with the same or a higher speed than that stated on the machine's rating plate. A cutting blade running at a too high speed can break or cause serious damage.



Do not use the machine near ignitable substances or gases.



WARNING! Dust forms when cutting, this can cause injuries if inhaled. Use an approved breathing mask. Avoid inhaling exhaust fumes. Always provide for good ventilation.



Hot surface.



Machinery hazard! Always keep all parts of your body away from blade and all other moving parts.



Caution, risk of cutting



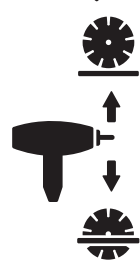
Water supply adjustment



Lower blade



Switch for lower and raise the blade



Ignition on



Engine starts



Engine stops

STOP

Machine stop



Transmission stop



Refuelling Unleaded fuel only



Choke control



Engine oil



Dipstick, maintain proper engine oil level



Do not raise the saw when checking engine oil level.



Parking brake



Activated / Deactivated



Keep saw leveled, without blade, when checking oil level.



KEY TO SYMBOLS

Always use the machine mounted lifting eye when lifting.



This product is in accordance with applicable EC directives. If marked on the machine.



Noise emission to the environment according to the European Community's Directive. The machine's emission is specified in the Technical data chapter and on the label.



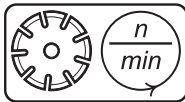
Weight



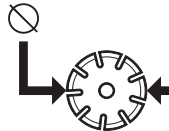
Nominal engine output, kW



Max. blade speed, rpm



Blade diameter, mm



Type plate

A: Brand

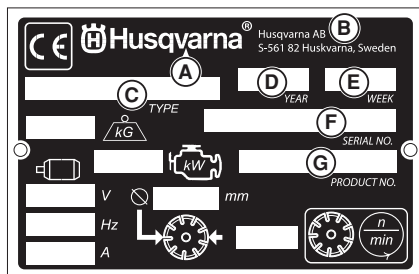
B: Manufacturer, address

C: Type

D, E: Manufacturing date, year, week

F: Serial number

G: Product number



Other symbols/decals on the machine refer to special certification requirements for certain markets.

Explanation of warning levels

The warnings are graded in three levels.

WARNING!



WARNING! Used if there is a risk of serious injury or death for the operator or damage to the surroundings if the instructions in the manual are not followed.

CAUTION!



CAUTION! Used if there is a risk of injury to the operator or damage to the surroundings if the instructions in the manual are not followed.

NOTICE!

NOTICE! Used if there is a risk of damage to materials or the machine if the instructions in the manual are not followed.

CONTENTS

Contents

KEY TO SYMBOLS

Symbols on the machine: 2

Explanation of warning levels 3

CONTENTS

Contents 4

PRESENTATION

Dear Customer, 5

Design and features 5

FS 3500 G 5

What is what on the floor saw - FS 3500 G 6

What is what on the control panel? 8

MACHINE'S SAFETY EQUIPMENT

General 9

BLADES

General 11

Diamond blades 11

Transport and storage 11

FUEL HANDLING

General 12

Fuel 12

Fueling 12

Transport and storage 12

BATTERY HANDLING

General 13

Connecting the battery 13

Disconnecting the battery 13

Starting the engine with a weak battery 13

OPERATING

Protective equipment 14

General safety precautions 14

Service 14

Basic working techniques 15

Handle position 15

Moving the machine 16

Fitting the blade 17

Blade cutting depth 19

Straight line sawing 20

Hydraulic System 20

Transport and storage 20

Long-term storage 21

STARTING AND STOPPING

Before starting 22

Starting for the first time 22

Starting 22

Stopping 24

MAINTENANCE AND SERVICE

General 25

Measures to take in advance of maintenance, service and trouble shooting 25

Cleaning 25

Service schedule 25

Disposal, scrapping 30

TROUBLESHOOTING

Incidents during sawing 31

TECHNICAL DATA

Battery 32

Hydraulic fluid and lubricants 32

Technical data 33

Noise emissions 35

RELAYS AND FUSES

Relays and fuses - FS 3500 G 36

EC DECLARATION OF CONFORMITY

EC Declaration of Conformity 37

PRESENTATION

Dear Customer,

Thank you for choosing a Husqvarna product!

It is our wish that you will be satisfied with your product and that it will be your companion for a long time. A purchase of one of our products gives you access to professional help with repairs and services. If the retailer who sells your machine is not one of our authorized dealers, ask him for the address of your nearest service workshop.

This operator's manual is a valuable document. Make sure it is always at hand at the work place. By following its content (operating, service, maintenance etc.) the life span and the second-hand value of the machine can be extended. If you will sell this machine, make sure that the buyer will get the operator's manual.

More than 300 years of innovation

Husqvarna AB is a Swedish company based on a tradition that dates back to 1689, when the Swedish King Karl XI ordered the construction of a factory for production of muskets. At that time, the foundation was already laid for the engineering skills behind the development of some of the world's leading products in areas such as hunting weapons, bicycles, motorcycles, domestic appliances, sewing machines and outdoor products.

Husqvarna is the global leader in outdoor power products for forestry, park maintenance and lawn and garden care, as well as cutting equipment and diamond tools for the construction and stone industries.

Owner responsibility

It is the owner's/employer's responsibility that the operator has sufficient knowledge about how to use the machine safely. Supervisors and operators must have read and understood the Operator's Manual. They must be aware of:

- The machine's safety instructions.
- The machine's range of applications and limitations.
- How the machine is to be used and maintained.

National legislation could regulate the use of this machine. Find out what legislation is applicable in the place where you work before you start using the machine.

The manufacturer's reservation

Subsequent to publishing this manual Husqvarna may issue additional information for safe operation of this product. It is the owner's obligation to keep up with the safest methods of operation.

Husqvarna AB has a policy of continuous product development and therefore reserves the right to modify the design and appearance of products without prior notice.

For customer information and assistance, contact us at our website: www.husqvarna.com or call at 1-800-845-1312.

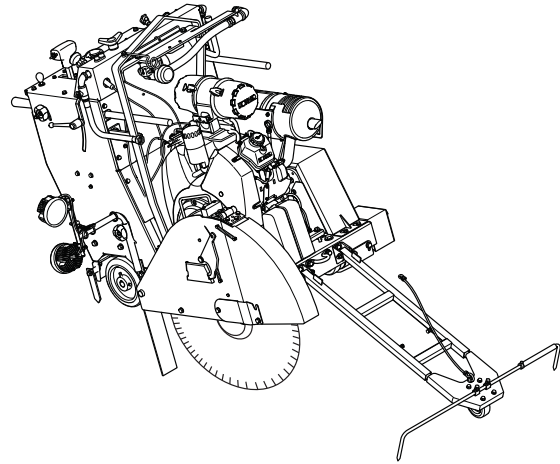
Design and features

These walk behind floor saws are intended to use with diamond blades for wet cutting only. They are designed to cut fresh and hardened concrete in different hardness classes and asphalt.

Values such as high performance, reliability, innovative technology, advanced technical solutions and environmental considerations distinguish Husqvarna's products. Safe operation of this product requires the operator to read this manual carefully. Ask your Husqvarna dealer if you need more information.

Some of the unique features of your product are described below.

FS 3500 G



Saw

It is robust, agile, easy to operate and maintain.

Engine

Powerful air cooled gasoline engine with electrical start and easy to operate.

Power transmission

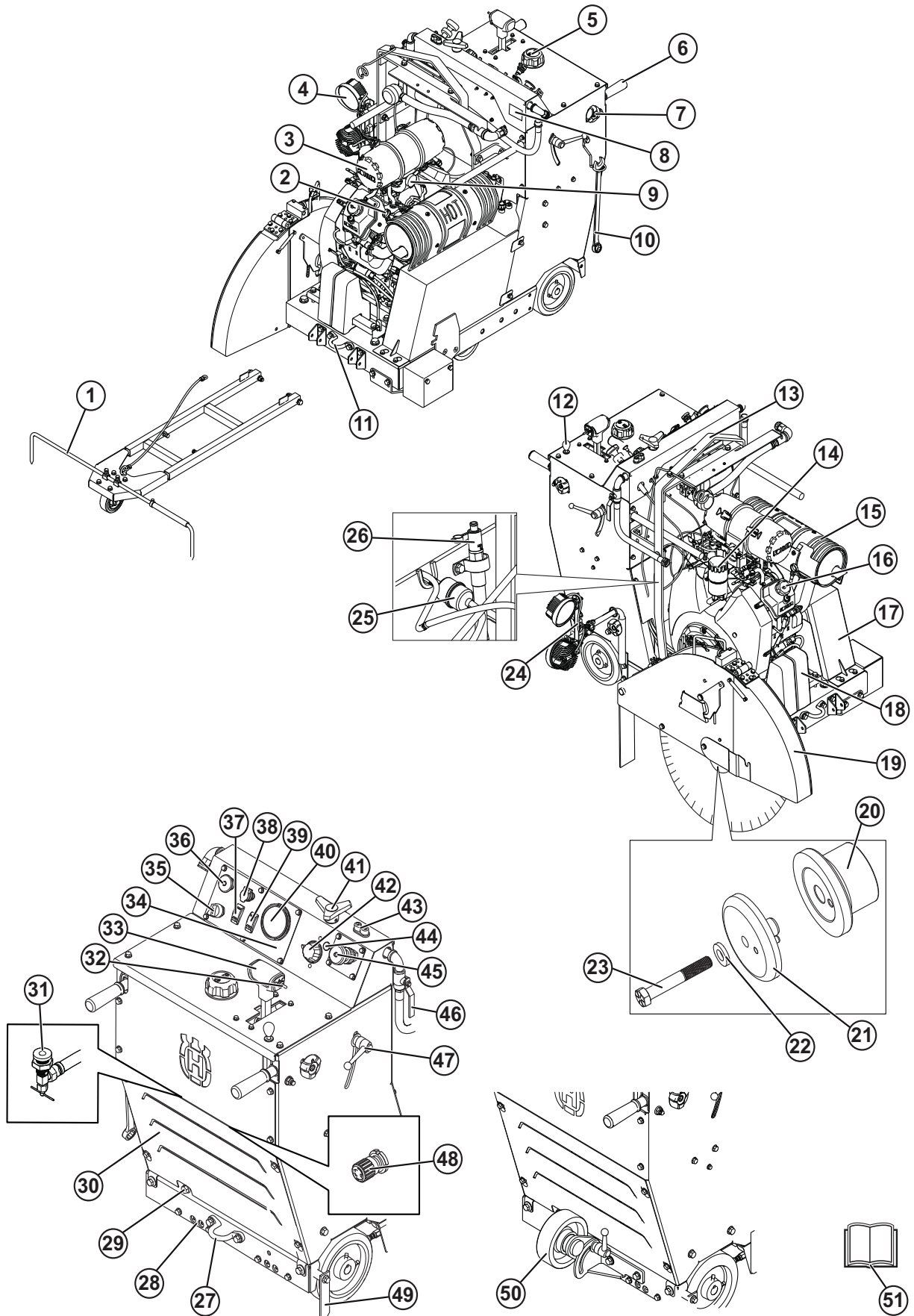
Robust and efficient power transmission with dynamic belt tensioning for smooth power transfer and longer belt life.

Front guide

Front guide has telescopic adjustment which gives good visibility and convenient storage

PRESENTATION

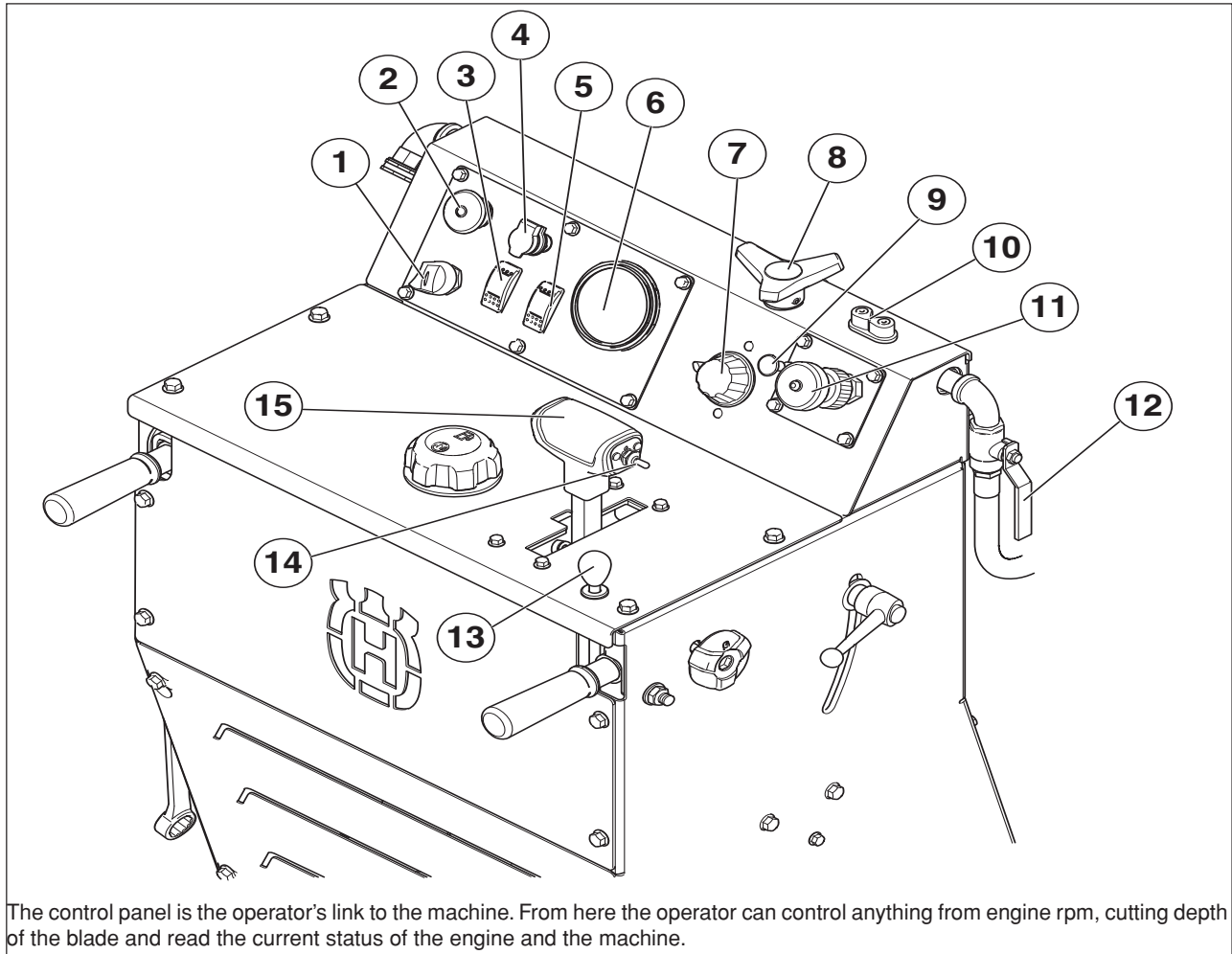
What is what on the floor saw - FS 3500 G



PRESENTATION

- 1 Front guide
- 2 Engine oil check (dipstick)
- 3 Air filter
- 4 Working lights (accessory)
- 5 Fuel tank fill
- 6 Handle bar
- 7 Locking knob for handlebar adjustment in length.
- 8 Type plate
- 9 Filter minder
- 10 Blade shaft wrench
- 11 Front tie-down lug
- 12 Parking brake lever (accessory)
- 13 Lifting eye
- 14 Engine oil filter
- 15 Muffler
- 16 Engine oil fill
- 17 Drive belt cover
- 18 Weights (accessory)
- 19 Blade guard
- 20 Inner blade flange.
- 21 Outer blade flange
- 22 Flange washer
- 23 Blade shaft bolt
- 24 Switch for the lights
- 25 Engine fuel filter
- 26 Oil drain hose
- 27 Rear tie-down lug
- 28 Easy access lubrication (accessory)
- 29 Rear axle adjustment
- 30 Rear protective cover
- 31 Fuel shut-off valve
- 32 Blade raise/lower switch
- 33 Forward/Reverse control lever
- 34 Relay and fuse box
- 35 Engine start switch
- 36 Machine stop
- 37 Water safety switch (accessory)
- 38 Power outlet 12V (accessory)
- 39 Water pump switch
- 40 Engine tachometer / hour meter
- 41 Blade depth stop
- 42 Blade depth indicator
- 43 Clamp cleat
- 44 Choke control
- 45 Engine throttle
- 46 Water valve
- 47 Locking knob for handlebar adjustment in height
- 48 Flow control valve
- 49 Rear pointer - right side
- 50 Transport wheel
- 51 Operator's manual

PRESENTATION



What is what on the control panel?

- | | |
|-----------------------------------|------------------------------------|
| 1 Engine start switch | 8 Blade depth stop |
| 2 Machine stop | 9 Choke control |
| 3 Water safety switch (accessory) | 10 Clamp cleat |
| 4 Power outlet 12V (accessory) | 11 Engine throttle |
| 5 Water pump switch (accessory) | 12 Water valve |
| 6 Engine tachometer / hour meter | 13 Parking brake lever (accessory) |
| 7 Blade depth indicator | 14 Raise/lower switch (blade) |
| | 15 Forward/Reverse control lever |

MACHINE'S SAFETY EQUIPMENT

General



WARNING! Never use a machine that has faulty safety equipment! If your machine fails any checks contact your service agent to get it repaired. The engine should be switched off, and the Engine start switch in STOP position.

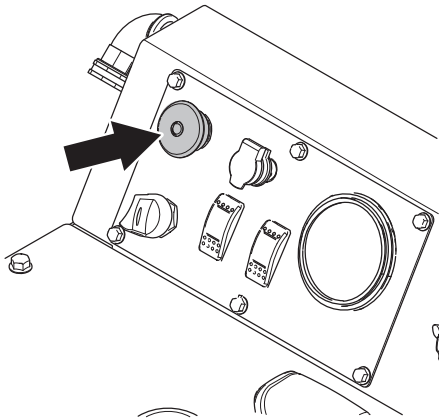


WARNING! The bladeshaft rotates when the engine is cranked or started.

This section describes the machine's safety equipment, its purpose, and how checks and maintenance should be carried out to ensure that it operates correctly.

Machine stop

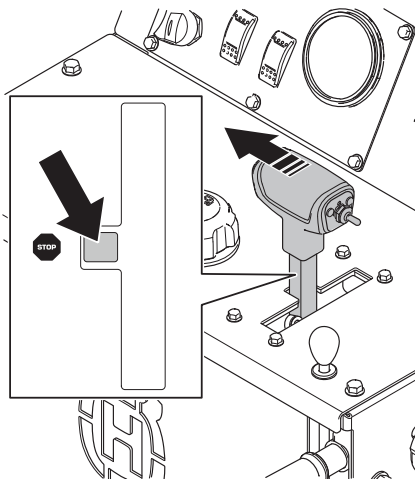
The machine stop is used to quickly switch off the engine and all electrical functions except lights.



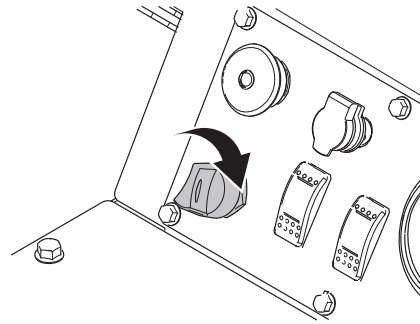
NOTICE! Do not use for routine stop.

Testing the machine stop

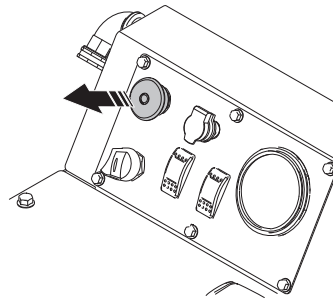
Set the Forward/Reverse control lever to the STOP position. The engine will not start unless the lever is in the distinct STOP position.



- Start the engine, turn the Engine start switch to ignition on position. Follow the procedure in the engine manual.



- Press the machine stop and check that the engine stops. This will set the machine in safe mode.
- Reset the machine stop by pulling the knob outward.



Blade guard



WARNING! Always check that the blade guard is fitted correctly before starting the machine.

This guard is fitted above the blade and is designed to prevent parts of the blade or cutting fragments from being thrown towards the user.

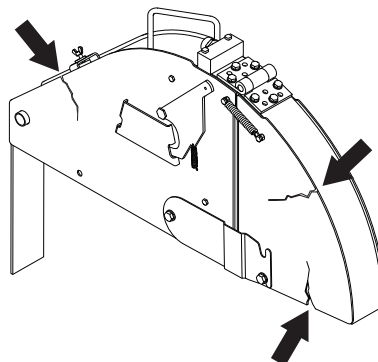
It will also protect the user from the blade and cool the blade with water when wet cutting.

Checking the blade guard



WARNING! Always check that the guard is correctly fitted before starting the machine. Also check that the blade is fitted correctly and is not damaged in any way. A damaged blade can cause personal injuries.

- Check that the blade guard is not damaged or cracked. Replace the blade guard if it is exposed to impact or is cracked.



MACHINE'S SAFETY EQUIPMENT

Protection covers and guards

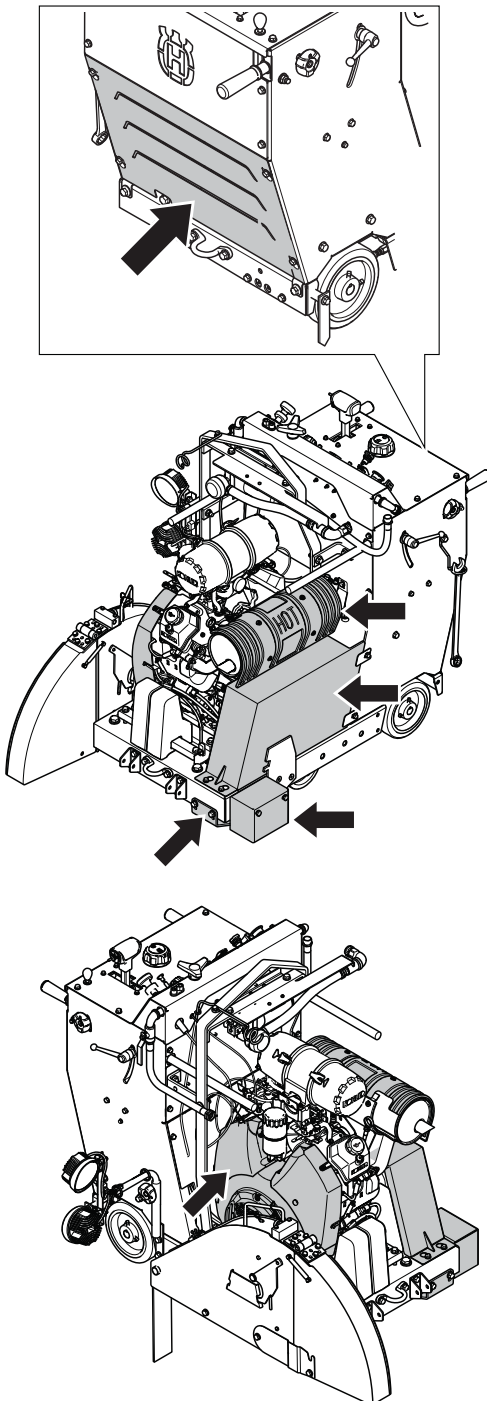


WARNING! Always check that the protection covers are correctly fitted before starting the machine.

Protective covers on the machine protect the user from the cooling fan, belt drives and hot surfaces.

Checking the protective covers

- Check the protective covers for cracks or other damages. Replace damaged covers.



Muffler



WARNING! Never use a machine without a muffler, or with a faulty muffler. A damaged muffler may substantially increase the noise level and the fire hazard. Keep fire fighting equipment handy.

The muffler gets very hot during and after use. This also applies during idling. Be aware of the fire hazard, especially when working near flammable substances and/or vapours.

The muffler is designed to keep noise levels to a minimum and to direct exhaust fumes away from the user.

Inspecting the muffler

- Check regularly that the muffler is complete and secured correctly.

BLADES

General



WARNING! A cutting blade may burst and cause injury to the operator.

The cutting blade manufacturer issues warnings and recommendations for the use and proper care of the cutting blade. Those warnings come with the cutting blade.

A cutting blade should be checked before it is assembled on the saw and frequently during use. Look for cracks, lost segments (diamond blades) or pieces broken off. Do not use a damaged cutting blade.

- High-quality blades are often most economical. Lower quality blades often have inferior cutting capacity and a shorter service life, which results in a higher cost in relation to the quantity of material that is cut. See the instructions under the heading Assembling the blades.



WARNING! Never use a blade for any other materials than that it was intended for. Never use a blade with a lower speed rating than that of the machine. Do not use circular saw blades or carbide tipped blades.

Blade instability

- The blade can wobble and burst if an excessive rotational speed rating is used.
- A lower rotational speed rating can stop the wobbling. Check for correct blade transmission configuration and/or gear. Otherwise replace the blade.

Diamond blades

General

The cutting blade continues to rotate up to a minute after the motor has stopped. Never stop the blade with your hands. Personal injuries can occur.

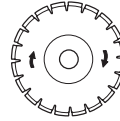


WARNING! Diamond blades become very hot when used. An overheated blade is a result of improper use, and may cause deformation of the blade, resulting in damage and injuries.

Cutting metal generates sparks that may cause fire. Do not use the machine near ignitable substances or gases.

- Diamond blades consist of a steel core provided with segments that contain industrial diamonds.
- Diamond blades ensure lower costs per cutting operation, fewer blade changes and a constant cutting depth.

- When using diamond blades make sure that it rotates in the direction indicated by the arrow on the blade.



Sharpening diamond blades

- Always use a sharp diamond blade.
- Diamond blades can become dull when the wrong feeding pressure is used or when cutting certain materials such as heavily reinforced concrete. Working with a dull diamond blade causes overheating, which can result in the diamond segments coming loose.
- Sharpen the blade by decreasing the cutting depth and engine speed for a short time. This will expose new and sharp diamonds on the blade.

Diamond blades and cooling

- During cutting the friction in the cut causes the diamond blade to be heated up. If the blade is allowed to get too hot this can result in loss of blade tensioning or core cracking. Therefore the diamond blade needs to be cooled with water.

Diamond blades for wet cutting

During cutting the friction in the cut causes the diamond blade to be heated up. If the blade is allowed to get too hot this can result in loss of blade tensioning or core cracking.

Allow the blade to cool down before touching it.

- Wet cutting diamond blades must be used with water to keep the blade core and segments cool during sawing. Wet cutting blades should NOT be used dry.
- Using wet cutting blades without water can cause excessive heat build-up, resulting in poor performance, severe blade damage and is a safety hazard.
- Water cools the blade and increases its service life while also reducing the formation of dust.
- Use wet sawing of old and new concrete and asphalt.

Blade size, mm/inch	Maximum cutting depth, mm/inch
500/20	192/7.72
650/26	255/10.25
750/30	305/12.25

NOTICE! Always use blade flange size specified for current blade size. Never use damage flanges.

Transport and storage

- Store cutting blades in a safe place so it can not be damage.
- Store cutting blades in dry, frost free conditions.
- Inspect new blades for transport or storage damage.

FUEL HANDLING

General



WARNING! Running an engine in a confined or badly ventilated area can result in death due to asphyxiation or carbon monoxide poisoning.

Fuel and fuel fumes are highly flammable and can cause serious injury when inhaled or allowed to come in contact with the skin. For this reason observe caution when handling fuel and make sure there is adequate ventilation.

The exhaust fumes from the engine are hot and may contain sparks which can start a fire. Never start the machine indoors or near combustible material!

Do not smoke and do not place any hot objects in the vicinity of fuel.

Fuel

Petrol

- Use clean, fresh unleaded petrol.
- The lowest recommended octane grade is 87 ((RON+MON)/2). If you run the engine on a lower octane grade than 87 so-called knocking can occur. This gives rise to a high engine temperature and increased bearing load, which can result in serious engine damage.

Engine oil

Always park the machine on a level surface before checking the oil. Keep saw leveled, without blade, when checking oil level.

- Check the oil level before starting the machine. A too low oil level can cause serious damage to the engine. See instructions in section "Maintenance and service".
- Never use oil intended for two-stroke engines. Use only Low ash engine oil, as specified in "Technical data".

NOTICE! Make sure there is always sufficient oil in the engine.

Fueling



WARNING! Always stop the engine and let it cool for a few minutes before refuelling.

When refuelling, open the fuel cap slowly so that any excess pressure is released gently.

Clean the area around the fuel cap.

Tighten the fuel cap carefully after refuelling. If the cap is not properly tightened the cap might vibrate lose and fuel may escape from the fuel tank creating a fire hazard.

Move the machine at least 3 m from the refuelling point before starting it.

Never start the machine:

- If you have spilled fuel or engine oil on the machine. Wipe off the spill and allow the remaining fuel to evaporate.
- If you have spilled fuel on yourself or your clothes, change your clothes. Wash any part of your body that has come in contact with fuel. Use soap and water.
- If the machine is leaking fuel. Check regularly for leaks from the fuel cap and fuel lines.

Transport and storage

- Store and transport the machine and fuel so that there is no risk of any leakage or fumes coming into contact with sparks or open flames, for example, from electrical machinery, electric motors, electrical relays/switches or boilers.
- When storing and transporting fuel always use approved containers intended for this purpose.

BATTERY HANDLING

General



WARNING! Lead-acid batteries produce explosive gases. Avoid sparks, open flames and smoking close to batteries.

- Connecting or disconnecting the battery may cause sparks and short circuits.
- A spark or flame can cause a lead acid battery to explode.
- Never connect both terminals on the battery at the same time with a wrench or other metal as this may short-circuit the battery.
- Always handle battery with care.
- Unused batteries must be kept away from metal objects such as nails, coins, jewellery.
- Remove metal bracelets, watches, rings, etc., before connecting the battery. Wear gloves and protective goggles or a dust mask when working with the battery.
- The original battery is maintenance free. Do not attempt to open or remove caps or covers. It is usually not necessary to check or adjust the level of electrolyte.
- Replace only with a similar maintenance-free battery. See information in the Technical data section.
- When welding on the machine, always disconnect both battery cables and store cables away from battery poles.
- Always connect the minus pole of welding gear as close as possible to the weld spot.

NOTICE! Do not override maximum physical size of battery. Too large battery can damage or be damaged by adjacent parts.

Handle the battery carefully, of environmental considerations. Follow the local recycling requirements.

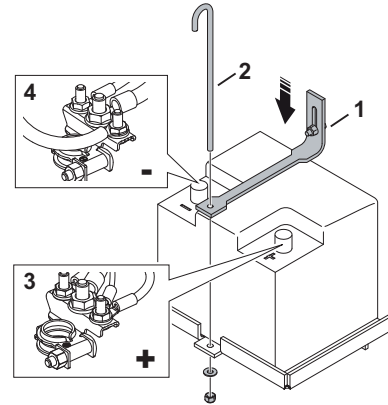
- If battery has difficulties holding voltage over long time periods when load is not applied, replace battery. For more information about recommended batteries, see section "Technical data"
- Charge battery regularly.
- Keep battery terminals and its accessories clean.

Connecting the battery

Note! Install and remove the battery cables only in the sequence described in this section.

- 1 Install the battery holder.
- 2 Lock the battery with the pin.
- 3 Always connect positive terminal first.

- 4 Connect negative terminal.



Disconnecting the battery

- Remove the cables in the reverse order

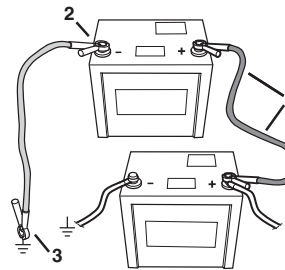
Starting the engine with a weak battery

If the battery is too weak to start the engine, it should be recharged.

When jump leads are used for emergency starting, follow the procedure below:

Connecting the jump leads

- 1 Connect each end of the red cable to the POSITIVE pole (+) on each battery, exercise care not to short circuit any of the ends against the chassis.
- 2 Connect one end of the black cable to the NEGATIVE pole (-) on the fully charged battery.
- 3 Connect the other end of the black cable to a good ENGINE BLOCK EARTH, away from the fuel tank and the battery.



Remove the cables in the reverse order

- The BLACK cable is removed from the engine block and then the fully charged battery.
- Finally the RED cable from both batteries.

Storage

- Store the battery cool and dry area.

OPERATING

Protective equipment

General

Make sure that there is always another person close at hand when you use the machine, so that you can call for help if an accident should occur.

Personal protective equipment

You must use approved personal protective equipment whenever you use the machine. Personal protective equipment cannot eliminate the risk of injury but it will reduce the degree of injury if an accident does happen. Ask your dealer for help in choosing the right equipment.



WARNING! The use of products such as cutters, grinders, drills, saws that sand or form material can generate dust and vapours which may contain hazardous chemicals. Check the nature of the material you intend to process and use an appropriate breathing mask.

Long-term exposure to noise can result in permanent hearing impairment. Always use approved hearing protection. Listen for warning signals or shouts when you are wearing hearing protection. Always remove your hearing protection as soon as the engine stops.

Always wear:

- Approved head gear
- Hearing protection
- Approved eye protection. If you use a face shield then you must also wear approved protective goggles. Approved protective goggles must comply with standard ANSI Z87.1 in the USA or EN 166 in EU countries. Visors must comply with standard EN 1731.
- Approved respiratory protection
- Heavy-duty, firm grip gloves.
- Tight-fitting, heavy-duty and comfortable clothing that permits full freedom of movement. Cutting generates sparks that can ignite clothing. Husqvarna recommends that you wear flame-retardant cotton or heavy denim. Do not wear clothing made of material such as nylon, polyester or rayon. If ignited such material can melt and cling to the skin. Do not wear shorts
- Boots with steel toe-caps and non-slip sole.

Other protective equipment



CAUTION! Sparks may appear and start a fire when you work with the machine. Always keep fire fighting equipment handy.

- Fire Extinguisher
- Always have a first aid kit nearby.

General safety precautions

This section describes basic safety directions for using the machine. This information is never a substitute for professional skills and experience.

- Please read the operator's manual carefully and make sure you understand the instructions before using the machine. It is recommended that first time operators also obtain practical instruction before using the machine.
- Keep in mind that it is you, the operator that is responsible for not exposing people or their property to accidents or hazards.
- The machine must be kept clean. Signs and stickers must be fully legible.

Service

Have your machine serviced by a qualified repair person using only identical replacement parts. This will ensure that the safety of the machine is maintained.

Always use common sense

It is not possible to cover every conceivable situation you can face. Always exercise care and use your common sense. If you get into a situation where you feel unsafe, stop and seek expert advice. Contact your dealer, service agent or an experienced user. Do not attempt any task that you feel unsure of!



WARNING! The machine can be a dangerous tool if used incorrectly or carelessly, which can cause serious or fatal injury to the operator or others.

Never allow children or other persons not trained in the use of the machine to use or service it.

Never allow anyone else to use the machine without first ensuring that they have read and understood the contents of the operator's manual.

Never use the machine if you are fatigued, while under the influence of alcohol or drugs, medication or anything that could affect your vision, alertness, coordination or judgement.

OPERATING



WARNING! Unauthorized modifications and/or accessories may lead to serious injury or death to the user or others. Under no circumstances may the design of the machine be modified without the permission of the manufacturer.

Do not modify this product or use it if it appears to have been modified by others.

Never use a machine that is faulty. Carry out the safety checks, maintenance and service instructions described in this manual. Some maintenance and service measures must be carried out by trained and qualified specialists. See instructions under the Maintenance heading.

Always use genuine accessories.



WARNING! This machine produces an electromagnetic field during operation. This field may under some circumstances interfere with active or passive medical implants. To reduce the risk of serious or fatal injury, we recommend persons with medical implants to consult their physician and the medical implant manufacturer before operating this machine.

Work area safety

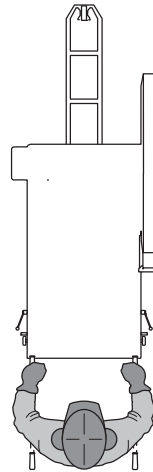


WARNING! You are responsible to ensure that animals and onlookers are not within the working area. Do not start cutting until the working area is clear.

- Observe your surroundings to ensure that nothing can affect your control of the machine.
- Ensure that no one/nothing can come into contact with the cutting equipment or be hit by parts if the blade breaks.
- Do not install a blade on the machine until it has been transported into the cutting area.
- Do not use the machine in bad weather, such as dense fog, heavy rain, strong wind, intense cold, etc. Working in bad weather is tiring and can lead to dangerous conditions, e.g. slippery surfaces.
- Never start to work with the machine before the working area is clear and you have a firm foothold. Look out for any obstacles with unexpected movement. Ensure when cutting that no material can become loose and fall, causing injury to the operator. Take great care when working on sloping ground.
- Ensure that the working area is sufficiently illuminated to create a safe working environment.
- Make sure that no pipes or electrical cables are routed in the working area or in the material to be cut.
- Running an engine in a confined or badly ventilated area can result in death due to asphyxiation or carbon monoxide poisoning.

Basic working techniques

- This machine is designed and intended for cutting of fresh and hardened concrete in different hardness classes and of asphalt.
- Always saw in a manner that permits easy access to the machine stop.
- Check that no tools or other objects have been left lying on the machine.
- Always check that the blade guard is fitted correctly before starting the machine. Never cut without using the blade guard.
- Clearly mark out all cuts to be made before you start sawing, plan these so they can be carried out without danger to persons or the machine.
- Under all circumstances avoid grinding using the side of the blade; it will almost certainly be damaged, break and can cause immense damage. Only use the cutting section.
- Do not stand behind or in front of the blade path while the engine is running.
- Do not leave the machine unattended while the engine is running.
- Never cock, jam wedge or twist blade in a cut.
- Make sure that there is always another person close at hand when you use the machine, so that you can call for help if an accident should occur.
- Never stand behind or in front of blade path while the engine is running. The operator position is between the two handlebars.



Handle position

CAUTION! Never use the handlebars to lift the saw.

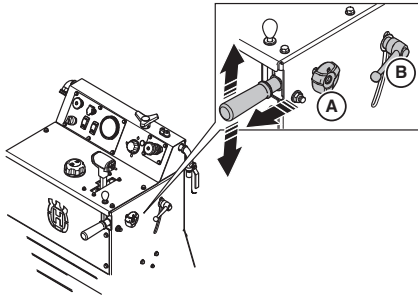
Use the handlebars to maneuver the saw.

The position of the handlebars can be adjusted in height and length.

- Loosen the locking knob **A** to adjust the length. Set handle to most comfortable working length. Tighten the locking knob.

OPERATING

- Turn handle adjustment locking knob **B** counterclockwise to unlock and reposition handlebar. Turn clockwise to lock handlebar in position. Set handle to most comfortable working height. Tighten the locking knob.



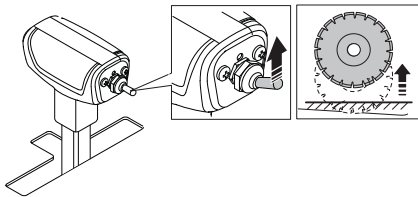
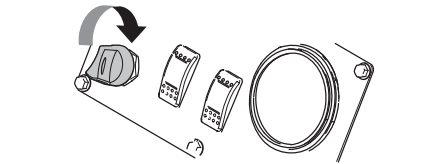
Moving the machine

Prior to moving the machine, read and understand section "Starting and stopping".

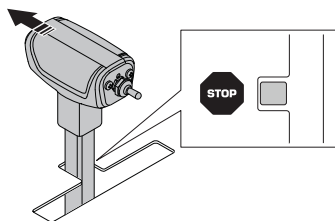
Moving the machine with the engine off

- Turn Engine start switch to "RUN" position.

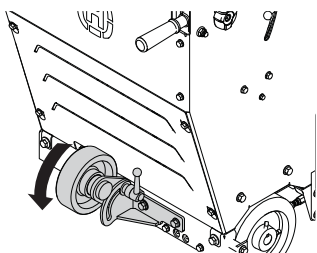
Raise the saw by pressing up the Raise/lower switch on the Forward/Reverse control lever until the blade (if installed) clears the pavement surface.



- Put Forward/Reverse control lever into the Stop/Neutral position.



- Turn the locking knob counterclockwise to unlock and reposition the freewheel into transport mode. Tighten the locking knob.



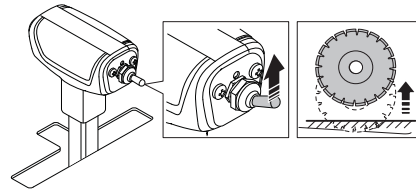
- Raise the saw until the two rear wheels clear the surface. The saw can now be moved by standing behind it and pushing (while holding the handlebars).



WARNING! Do not attempt to push the saw with engaged transport wheel on a grade (or hill). The saw operator could lose control of the saw and cause injury to oneself or other persons in the area.

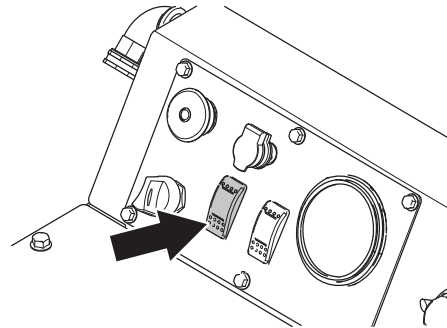
Moving the saw with the engine on

- Raise the saw by pressing up the Raise/lower switch on the Forward/Reverse control lever until the blade (if installed) clears the pavement surface.

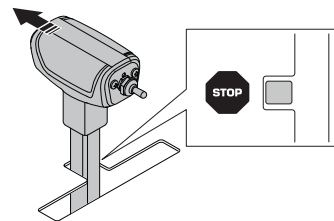


WARNING! Never transport the machine outside the cutting area with engine on and with a blade installed.

- Set the Water safety switch to the OFF position.

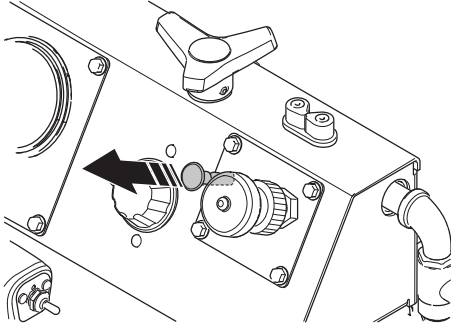


- Put the Forward/Reverse control lever into the Stop/Neutral position. The engine will not start unless the lever is in the Stop/Neutral position.

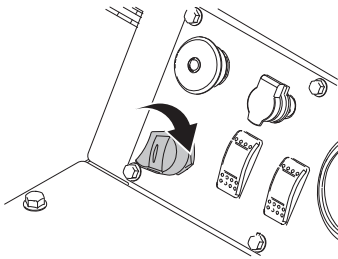


OPERATING

- Pull out the Engine Choke.

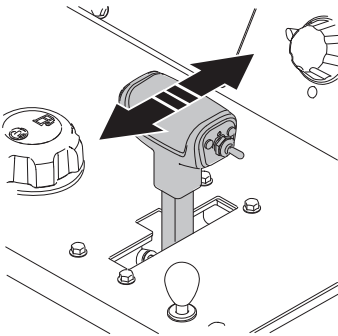



- Turn the Engine start switch to the engines start position until the engine starts, then release the switch. It will return to ignition on position automatically. If the engine does not start, repeat these steps.



- Push the Forward/Reverse control lever forward for forward saw movement, or to the rear for reverse saw movement.

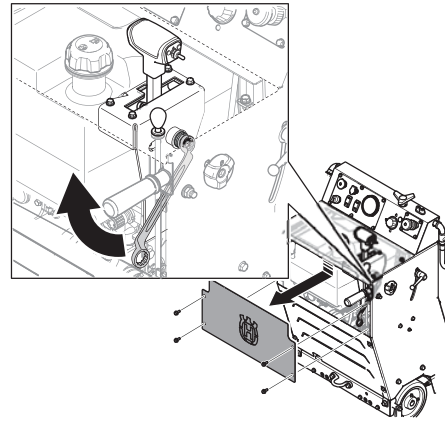
The further you push the lever the faster the speed. For more information, see the "Technical data" section.





WARNING! Do not put transmission in neutral while the machine is parked on a grade or hill. The operator will lose control and injury or damage could occur.

Adjust the resistance on the Forward/Reverse control lever with the nut on the side of the lever.



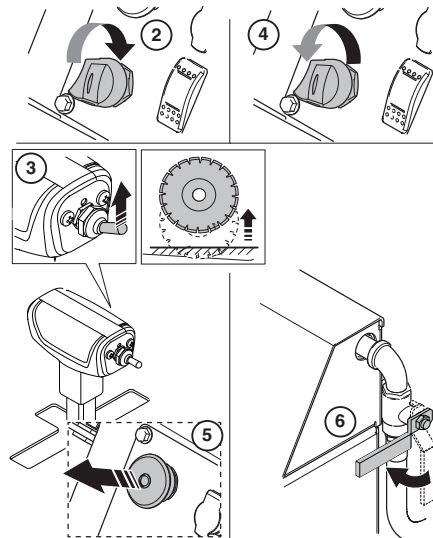
Fitting the blade



WARNING! Always set the engine start switch to the OFF position before installing the blade.

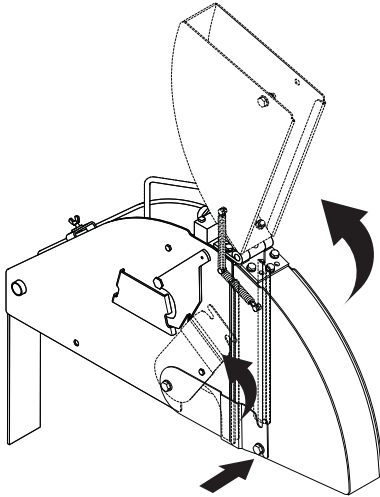
NOTICE! Check the blade's direction of rotation. The arrow on the blade and the blade guard indicates the direction of rotation.

- 1 Transport the machine to within the cutting area and check your surroundings according to the information found under the heading Cutting area safety.
- 2 Set Engine start switch to ignition on position.
- 3 Raise the saw to a high position using the Raise/lower switch on the Forward/Reverse control lever.
- 4 Set the engine start switch to OFF position.
- 5 Press the Machine stop on the control panel.
- 6 Turn off the Water valve.



OPERATING

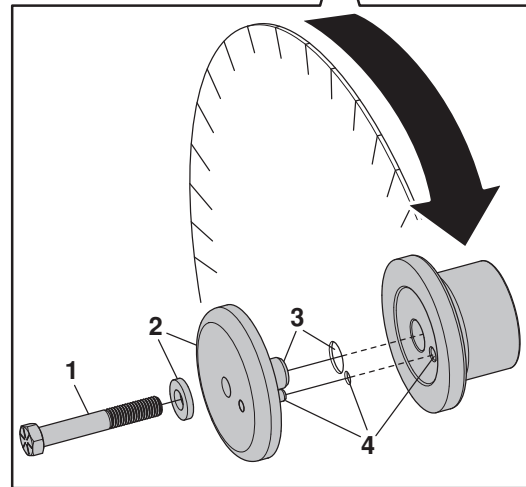
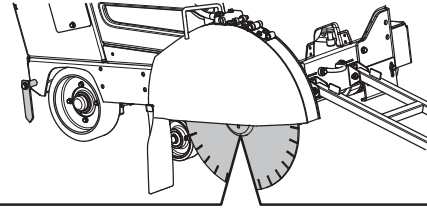
- Loosen the blade guard front bolt and lift the blade guard latch.
- Raise the blade guard front.



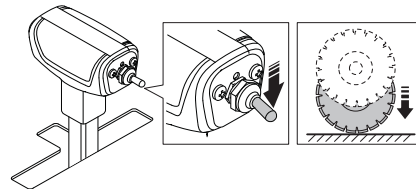
WARNING! Check that the blade, blade flanges and blade flange arbor are undamaged. Clean the contact surfaces of the blade and the blade flanges. Make sure the blade and the flanges are clean and free of dirt and debris before mounting the blade on the machine.

The blade shaft bolt on the right hand side of the saw has left hand threads and the blade shaft bolt on the left hand side of the saw has right hand threads. Replace the blade shaft bolt and plain washer when worn or damaged.

- 1 Loosen blade shaft bolt which is used to clamp the blade between the inner and outer flange.
 - 2 Remove outer flange and plain washer.
 - 3 Fit diamond blade to outer flange arbor.
 - 4 Install outer flange with blade pre-installed into the inner flange making sure that the locking pin passes through the diamond blade and into the inner flange. Always use plain washer with blade shaft bolt. Rotate outer flange and the blade in the opposite direction of blade rotation to remove backlash.
- Install and tighten blade shaft bolt and plain washer using the blade shaft wrench while firmly holding the blade.



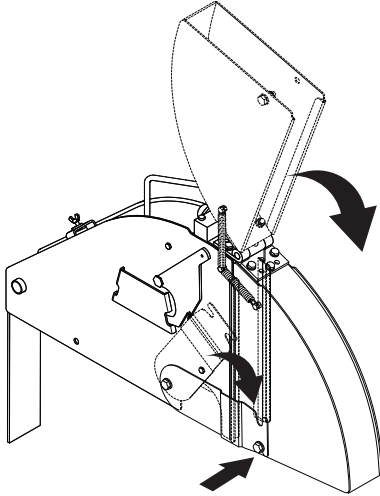
Lower the saw by pushing the Raise/lower switch on the Forward/Reverse control lever downwards until the blade touches the surface to be cut.



CAUTION! The touch should be smooth to prevent damaging the blade. Use Saw lowering speed control knob to slow down the lowering speed. Never let the front weight of the machine be supported by the blade since this will damage the blade.

OPERATING

- Tighten the blade shaft bolt firmly using the blade shaft wrench while resistance between diamond blade and ground helps to achieve proper and final tightening.
- Lower blade guard front and position the blade guard latch on the blade guard front bolt. Tighten the blade guard front bolt.



NOTICE! Do not operate this saw without the latch engaged and the bolt installed. Do not use if damaged.

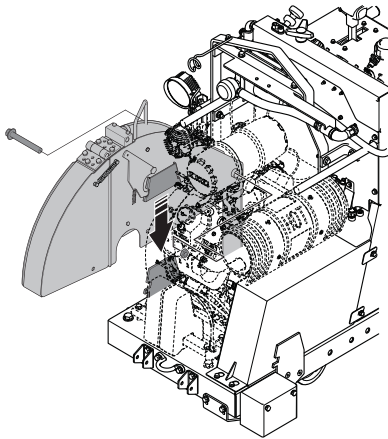
- Test run the machine and check that no unusual sounds occur. Unusual sounds are a sign of an incorrectly mounted blade.

Install the blade guard

Slip on blade guards are secured with a blade guard lock which engages the rear half of the blade guard.

Do not operate this saw without the lock engaged. Inspect blade guards and locks frequently. Do not use if damaged.

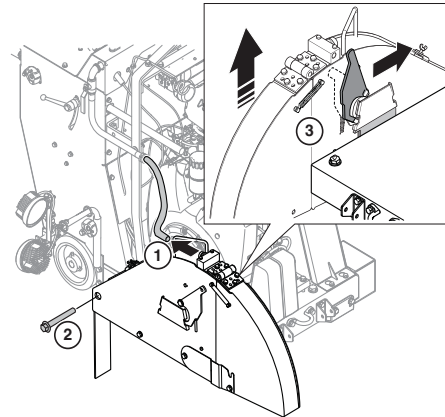
Lower the guard onto the support spade and use moderate force to press down the blade guard until lock engages.



Remove the blade guard

- 1 Disconnect the water hose from the blade guard.
- 2 Remove the bolt holding the blade guard.

- 3 Move the blade guard lock forward until it stops and unlatches. Lift the blade guard with its handle off the support spade.



Blade cutting depth

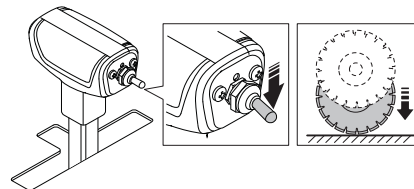
This saw is equipped with a Blade Depth Indicator which indicates the depth at which the blade is cutting. This saw also includes a Blade Depth Stop which stops the cutting depth of the blade at a specific depth.

For more information about maximum cutting depth for different blade sizes, see section "Blades"

Use of the Blade Depth Indicator

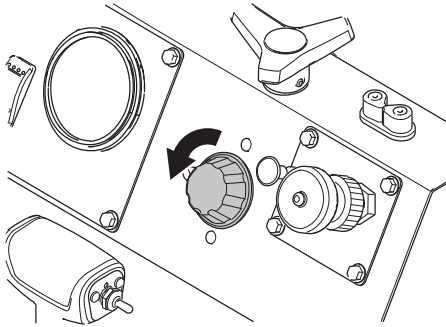
NOTICE! Only saw as deep as the job specifications require since deeper sawing can cause structural strength problems.

- If the engine is running, turn the Engine start switch to the OFF position to stop the engine.
- Turn the engine start switch to the ON position.
- Lower the saw by pushing the Raise/lower switch on the Forward/Reverse control lever downwards until the blade touches the surface to be cut. This will be the reference point.



OPERATING

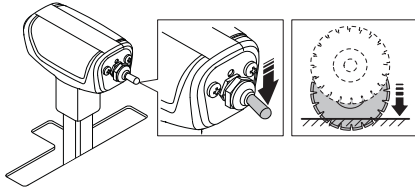
- Rotate the Blade Depth Indicator knob to the zero position. The blade cutting depth will now be indicated on the Depth Indicator when the blade is lowered into the cutting surface.



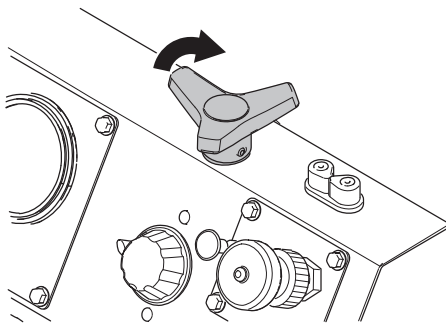
CAUTION! The touch should be smooth to prevent damaging the blade. Use Saw lowering speed control knob to slow down the lowering speed.

Use of the Blade Depth Stop

- Lower the saw by pushing the Raise/Lower switch on the Forward/Reverse control lever downwards until the blade is at the required depth (as indicated on the Blade Depth Indicator).



- Set the Blade Depth Stop by turning the knob clockwise until tight. Now the maximum cutting depth is set. If the saw is raised out of the cut surface for any reason it can now be lowered to this specific depth by lowering the blade into the cutting surface with the Raise/Lower switch on the Speed control lever.



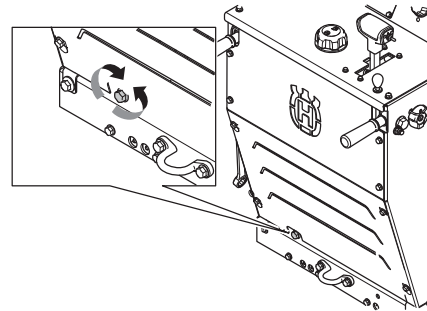
Straight line sawing

While cutting, the blade is creating resistance to driving force from rear wheels which will cause the machine to yaw in the same direction as the blade is mounted on. This effect can be counteracted by adjusting the angle of the rear axle using the manual axle adjustment.

Rear axle adjustment

NOTICE! First loosen the bolts on the rear axle and the console on wheel motor.

- The rear axle is adjusted by turning the adjustment bolt located at the rear lower left of saw frame with an 18mm wrench.
- If the saw steers to the right while sawing, turn the adjustment bolt counterclockwise.
- If the saw steers to the left while sawing, turn the adjustment bolt clockwise.

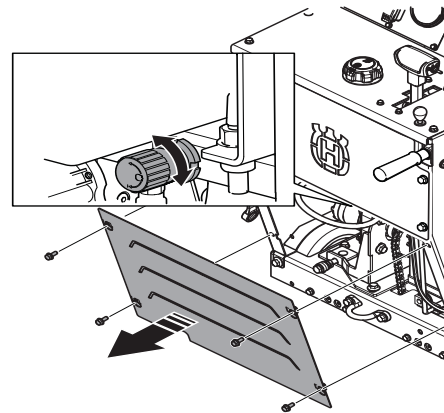


Hydraulic System

The hydraulic system on this saw is used to raise/lower the diamond blade and to propel the saw forward or reverse.

The hydraulic system consists of a Hydrostatic Transmission, a DC Lift Pump with a Flow Control Valve and a Hydraulic Lift Cylinder.

- The lowering rate of the saw can be adjusted using the Flow Control Valve. If the saw falls too quickly, turn the knob on the Flow Control Valve clockwise until an adequate lowering rate is set.



Transport and storage

- Remove the blade before transportation or storage of the machine, to avoid damage to the blade.
- Remove all adjustment tools and wrenches
- Close the fuel shut-off valve.



WARNING! Remove the cutting blade prior to lifting, loading, unloading or transporting the machine.

OPERATING

Transport



WARNING! Always remove the cutting blade before transporting the machine outside the cutting area.

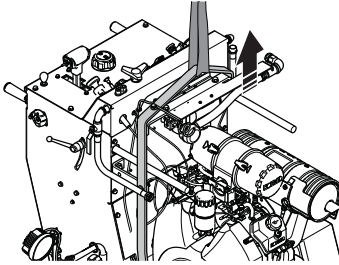


WARNING! When moving the saw up and down ramps, with engine on, use extreme caution. For steep ramps, always use a winch. Never stand below the machine. Stand only beside.

- To go down a ramp, drive the saw backwards slowly.
- To go up a ramp, drive the saw forward slowly.

Lifting the saw

- Observe care when lifting. You are handling heavy parts, which imply the risk of pinch injuries or other injuries.
- Always use the machine mounted lifting eye when lifting.



To transport by vehicle

- Secure the equipment during transportation in order to avoid transport damage and accidents. Use the factory installed tie down lugs on the saw, front and rear to prevent movement during transport.
- Do not tow this saw with another vehicle as this may damage drive components.

Storage

Store the equipment in a lockable area so that it is out of reach of children and unauthorized persons.

- Stop the engine by turning the Engine start switch to the STOP position.
- Put Forward/Reverse control lever into the Stop/Neutral position.

For transport and storage of fuel and battery, see the section "Fuel handling" and "Battery handling".

For transport and storage of Blades, see the section "Blades".

Long-term storage

Ensure the machine is cleaned and that a complete service is carried out before long-term storage. Read the engine owner's manual for additional information on long-term storage.

- Remove the blade for storage and store it carefully.

Close the fuel shut-off valve and reinstall the rear protective cover.

- Grease all nipples before storage.
- Disconnect negative terminal and secure in safe distance from battery.
- Trickle charge the battery during long-term storage.
- When storing the machine for long periods the fuel tank must be emptied. Contact your local petrol station to find out where to dispose of excess fuel.
- Store the machine and its equipment in a dry and frost proof place.
- If the machine is stored outside, cover the machine.
- Change engine oil after a long-term storage

STARTING AND STOPPING

Before starting



WARNING! Please read the operator's manual carefully and make sure you understand the instructions before using the machine.

Wear personal protective equipment. See instructions under the "Personal protective equipment" heading.

Make sure no unauthorised persons are in the working area, otherwise there is a risk of serious personal injury.

- Perform daily maintenance. See instructions in section "Maintenance and service".
- Check that the blade is not in contact with anything when the machine is started.

NOTICE! Read the operator's manual supplied by the engine manufacturer.

Starting for the first time

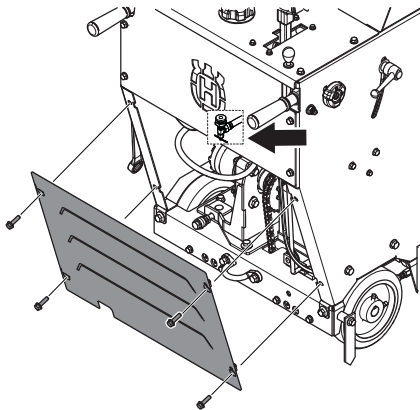
- Check engine oil level without blade and the saw horizontal for a flat saw level.
- Connect battery cables. The floor saw unit is supplied with no battery cables connected.

For some markets batteries are not supplied due to safety reason during transportation. Install a new battery.

For more information, see the "Technical data" section.

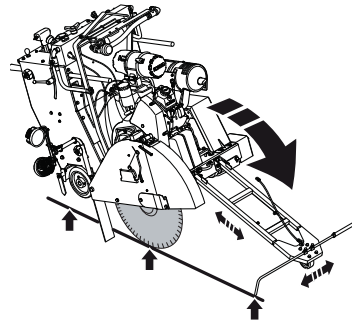
This machine is equipped with a fuel shut-off valve. To start the machine the first time:

- Fill the fuel reservoir.
- Remove the rear protective cover and open the fuel shut-off valve.



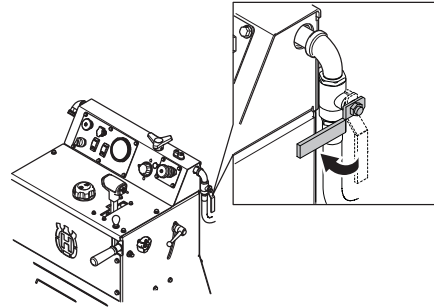
- Reinstall the rear protective cover.

- Lower the front guide and align the front guide, rear guide and the diamond blade with the line on the surface. The front guide is telescopic, adjust the length with the screws on the inside of the front guide.

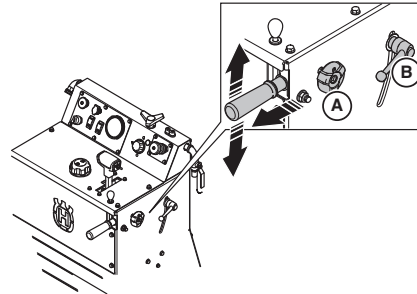


Starting

- Connect the machine to a water supply. Turn off the Water valve.

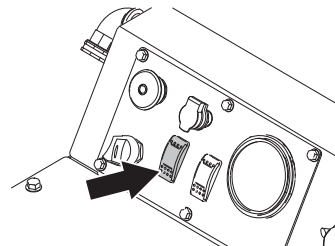


- Mark the surface to be cut by drawing a line where the cut is to be made.
- Pull out handle bars to desired length and height and tighten the knobs.



Start the engine

- To start the saw when no water pressure is present, set the Water safety switch to the OFF position.

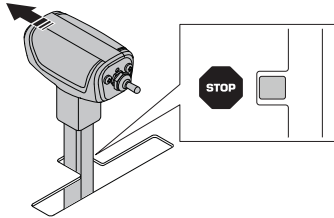


STARTING AND STOPPING

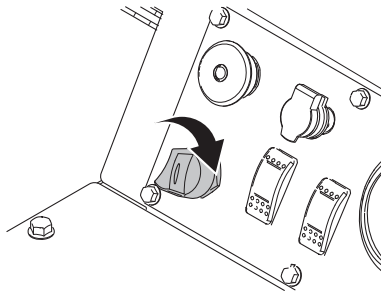
Water safety system

Water is used to prevent overheating the blade while controlling the dust that results from sawing. The water safety system monitors the water pressure to the machine and interrupts the sawing process if the pressure drops.

- Set the Forward/Reverse control lever to the Stop/Neutral position. The engine will not start unless the lever is in the distinct Stop/Neutral position.



- Start the engine.



- Let the engine warm up for several minutes with Engine throttle at idle speed (minimum).

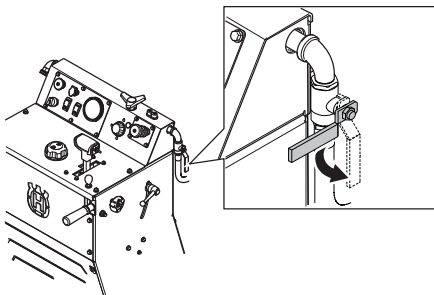
Do not warm up the machine outside the cutting area, when the blade is fitted to the machine. To fit the blade, see the instructions under the heading Fitting the blade.

Start the cutting

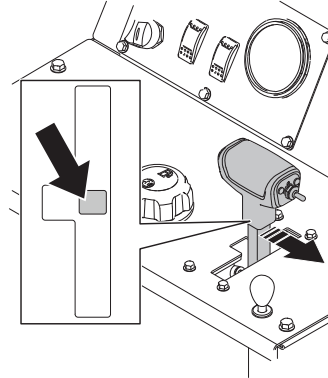
WARNING! Never use a blade with a lower speed rating than that of the machine. Make sure the blade is properly installed.

NOTICE! See chart for the appropriate blade shaft and engine speeds for specific blade sizes.

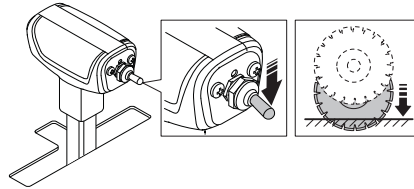
- Test for adequate water supply. Low water flow will cause damage to diamond blades. Engage the Water safety switch on the control panel and open the Water valve.



- Shift the Forward/Reverse control lever into gear.

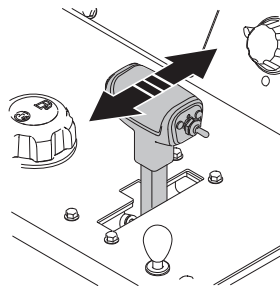


- Set the Engine throttle knob to maximum rpm.
- Lower the blade by pressing the Raise/Lower switch on the Forward/Reverse control lever until the blade is at the desired cutting depth. For more information see section "Blade cutting depth".



CAUTION! When lowering the blade into a partial cut, align the blade exactly with the cut to prevent damage to the blade.

- Move the saw forward slowly by pushing on the Forward/Reverse control lever. Listen to the sound of the engine. If the engine starts to slow down compensate by pulling Forward/Reverse control lever backwards to decrease feeding and prevent stalling the blade. Make sure the front guide, rear guide and diamond blade stays on the line.



STARTING AND STOPPING

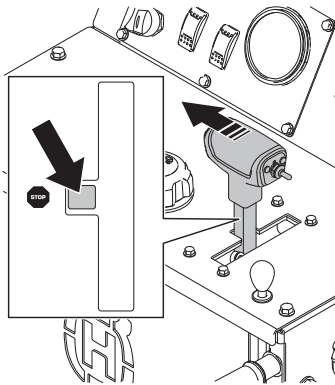
Stopping



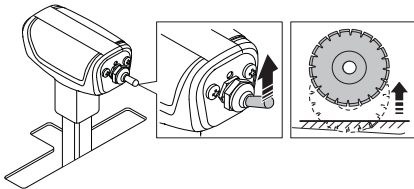
WARNING! Always keep all parts of your body away from blade and all other moving parts.

Stop the cutting

- Put Forward/Reverse control lever into the Stop/Neutral position.

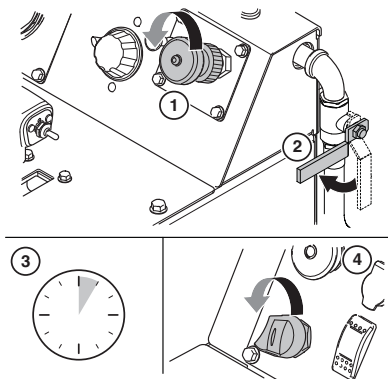


- Raise the diamond blade out of the cut by pressing the Raise/lower switch on the control lever upward until the diamond blade clears the surfaces.



Stop the engine

- 1 Turn the Engine throttle knob to the low idle position.
- 2 Turn the Water valve off.
- 3 Let the engine run at idle for a few minutes before shutting off. Do this within the cutting area and do not leave the machine unsupervised.
- 4 Stop the engine by turning the Engine start switch to the STOP position.



MAINTENANCE AND SERVICE

General



WARNING! Most accidents involving machines occur during trouble shooting, service and maintenance as staff have to locate themselves within the machine's risk area. Prevent accidents by being alert and by planning and preparing the work.

If servicing operations require the motor to be in operation, be aware of risks when working with or in the vicinity of moving parts.

Perform maintenance and servicing in accordance with this Operator's Manual to avoid shutdowns and to maintain the machine's value.

Maintain the machine's supplementary equipment and tools as well.

The user must only carry out the maintenance and service work described in this Operator's Manual. More extensive work must be carried out by an authorized service workshop.

Use only original spare parts for repairs.

Measures to take in advance of maintenance, service and trouble shooting

General

- Ensure that the machine is situated in a safe area.
- Always park the machine on a level surface with the engine OFF and the Engine start switch set in the STOP position before starting. Press the Machine stop on the control panel.
- Several components heat up during use of the machine. Do not commence any servicing or maintenance tasks until the machine has cooled.
- Set out clear signs to inform persons in the vicinity that maintenance work is in progress.
- Ensure that the working area is sufficiently illuminated to create a safe working environment.
- Ascertain the location of fire-extinguishers, medical supplies and emergency telephone.
- Remove the cutting blade before performing maintenance, service or trouble shooting.

Protective equipment

- Wear personal protective equipment. See instructions under the "Personal protective equipment" heading.

Working environment

- The area around the machine must be free of dirt in order to minimize the risk of slipping.

Cleaning



CAUTION! When cleaning the machine there is a risk of getting dirt and harmful substances in the eyes, for example.

Dirt and harmful substances can be released from the machine when using high pressure equipment.

High-pressure jetting using water or air can permeate into the skin and cause serious injury. Never aim a high-pressure jet towards the skin.

After each use clean the machine when cooled down.

Cleaning method

The cleaning method varies depending on type of contaminants and how dirty the machine is. A mild degreasing agent can be used. Avoid skin contact. Use high-pressure washers to clean the machine.

Cleaning of components

There are a number of components that require special consideration when cleaning.

NOTICE! Do not use high-pressure washers to clean the control panel.

Engine

- Keep a distance of at least 40 cm between the nozzle and engine and its components. Do not spray too aggressively on the engine to prevent damage to electrical components like electrical plugs and alternator. Do not spray water directly in to the exhaust pipe or in engine air filter.

After washing

- Lubricate all the machine's lubrication points.
- Blow electrical terminals dry using compressed air.
- Let the machine dry thoroughly before start.
- Exercise caution when the machine is started after washing. If any components have been damaged due to moisture, the machine's movements can be defective.

Service schedule

The service schedule is based on the machine's operating time. More frequent service intervals might be necessary when working in dusty or hot environments and in conjunction with work that generates high temperatures. A description of how the operations are to be performed is to be found in the service review.

For certain service requirements, refer to the service intervals in the service schedule below and keep track on the next service. The machine will keep track on the working hours and it can be seen in the display.

MAINTENANCE AND SERVICE

- Always park the machine on a level surface with the engine OFF and the Engine start switch set in the STOP position before performing any maintenance. Press the Machine stop on the control panel.

Please read the engine manual for your machine carefully and make sure you understand the instructions before using the machine. There are some maintenance intervals specified in the engine manual.

Daily maintenance

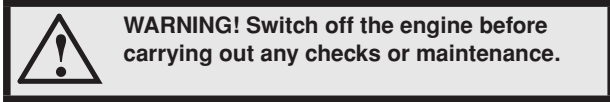
Daily maintenance must also be carried out after transportation.

	Daily	50h	100h	250h	500h	Yearly
Check for fuel and oil leakage.	X					
Check the engine's oil level	X					
Check blade guard for damage	X					
Check hoses and clamps for damage or looseness. Tighten or replace as required.	X					
Check air cleaner restriction indicator. Clean outer air filter if indicator is red.	X					
Make sure all safety guards are in place and in good condition.	X					
Check the water spray over the diamond blade.	X					
Replace engine oil and filter*		X				
Lubricate front wheels		X				
Lubricate blade shaft (2 pumps each end)		X				
Check the drive belt for wear.		X				
Replace engine oil and filter*			X			
Lubricate front axle pivot bearings			X			
Check wheels for wear or damage.			X			
Check rear wheels for looseness			X			
Check engine air cleaner hose and clamps			X			
Check hydraulic system fluid level			X			
Lubricate hydraulic cylinder pivot pin.				X		
Lubricate rear axle bearing.				X		
Replace hydraulic system fluid					X	
Replace engine fuel filter (spin-on-type)					X	
Replace outer and inner air filter						X

* Once at 50h then every 100h

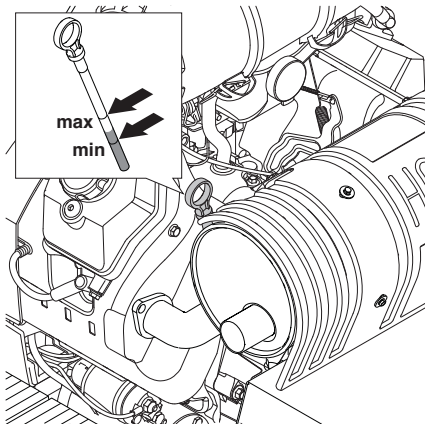
MAINTENANCE AND SERVICE

Daily maintenance



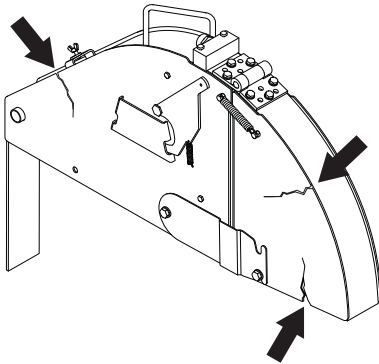
Check engine oil level without blade and the saw horizontal for a flat saw level.

- Check the engine oil level.
- Make sure the level is between the limits.



Check blade guard for damage

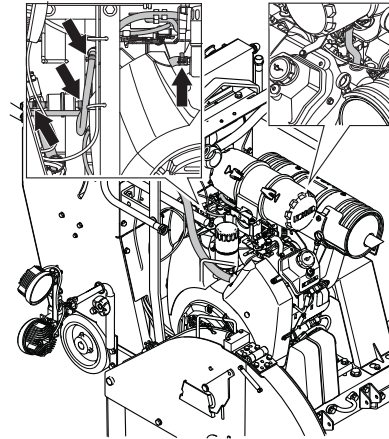
- Check the blade guard for cracks.



- Never use a broken or damaged blade guard.

Check all hoses and clamps for damage or looseness.

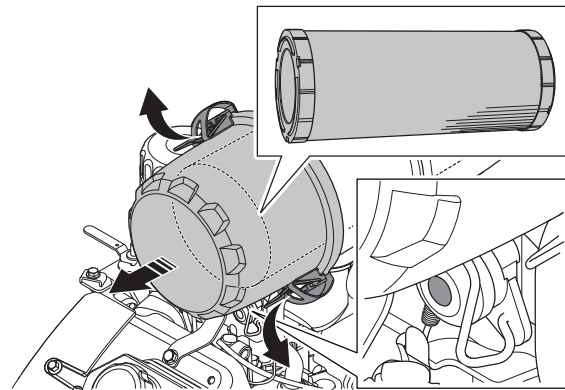
The image only shows some of the hoses and clamps.




- Look for leakage on fuel and hydraulics system. Tighten or replace as necessary.

Check air cleaner restriction indicator.

- Check and clean the outer air filter if the air cleaner indicator is red, remove the rear cover by opening the 2 air filter housing clamps and pulling the housing off.



- A damaged air filter must always be replaced.



CAUTION! Unhealthy dust can be spread during filter change. Wear approved respiratory protection. Dispose of filters correctly.

The filter must not be cleaned with compressed air, this will damage the filter. Filters can be vacuumed out for cleaning but avoid hitting or dragging items across the surface as this will damage the filter.

Do not use high pressure washing, this will damage the filter.

A washed filter must be 100% dry before being placed back onto the equipment.

Protection covers

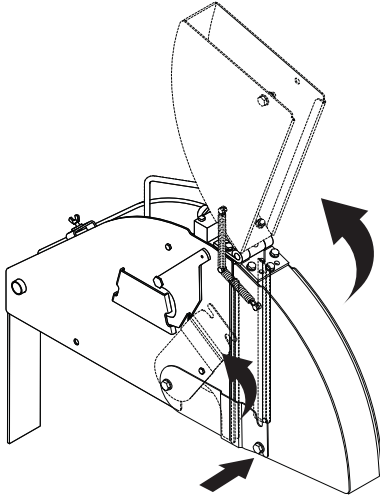
- Make sure all protection covers are in place and in good condition.

For more information, see the "Machine's safety equipment" section.

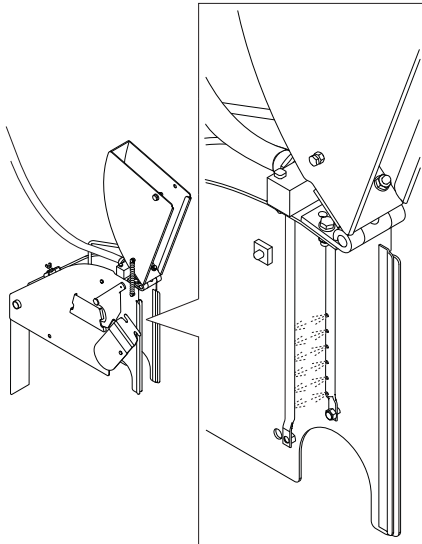
MAINTENANCE AND SERVICE

Check the water spray over the diamond blade.

- Raise blade guard front and use quick release pin to lock it in upright position.



- Open the Water valve on the control panel. Make sure it is straight jets of water out of the holes from the water pipes on both sides of the blade and no leakage. Replace water pipe if damaged.

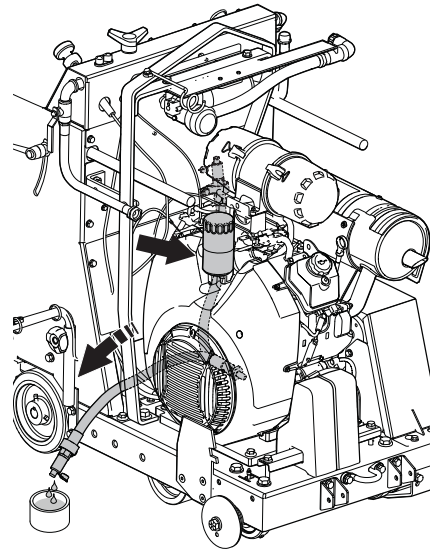


After the first 50 hours

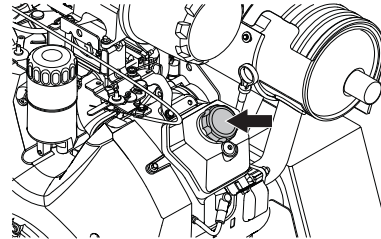
Replace engine oil and filter

- Remove the top cap from the hose. Open the valve and bend it down to empty the system.
Remove the filter and replace it.

Lubricate the seal with a few drops of oil prior to refitting it.



- Refill the system with oil.



- Check the engine's oil level, see instructions under heading "Daily maintenance".

50 hours service

Automatic blade shaft drive belt tensioning

This machine is equipped with a dynamic belt tensioning device that does not require any adjustment or maintenance.

Correct tension is preset during production assembly. However, if replacement of belt or other components are needed please follow below 6 steps for correct procedure.

Tools required

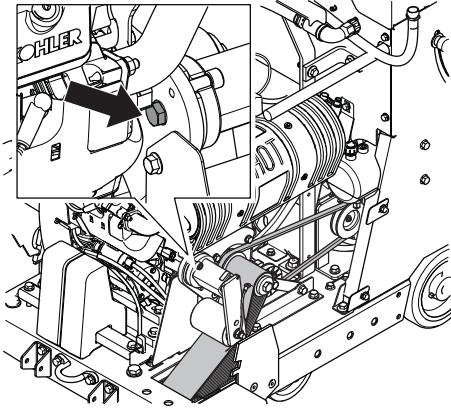
- 13 mm. wrench (not included with machine)
- 19 mm. wrench (not included with machine)
- Adjustable wrench (not included with machine)
- Allen key, 8 mm (not included with machine)

To release belt tension

- Use 13 mm. wrench to open 4 M8 bolts that attach belt guard. Remove belt guard.
- Use the allen key to remove allen screw (securing screw).

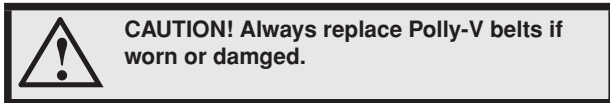
MAINTENANCE AND SERVICE

- Use 19 mm. wrench to slightly loosen the screw that fix the tension device to the plate.



To set correct tension

- Use an adjustable wrench to turn the base of the tension device in counter clock wise direction to set required pre tension. When angle on tension device shows 25° and the slot on base of the tension device is aligned with hole in plate: tighten the fixing screw using a 19 mm. wrench.
- Reinstall the allen screw by using an allen key.
- Reinstall belt guard. Use 13 mm. wrench to tighten 4 M8 bolts that fix belt guard.



Lubricate blade shaft (2 pumps each end)

See instructions under the heading "Lubrication".

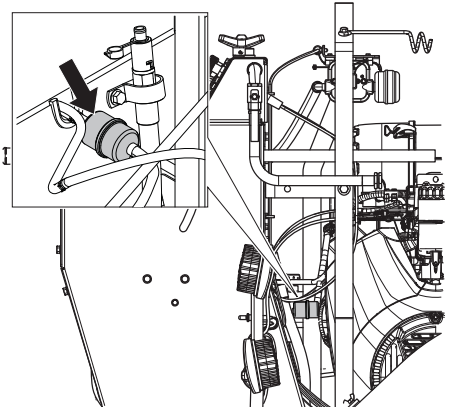
Lubricate front wheels

See instructions under the heading "Lubrication".

100 hours service

Replace engine fuel filter (In-line type)

- Close the fuel shut-off valve on the fuel tank. Remove the fuel filter by unsnapping it from the fuel line. Replace the fuel filter. Beware of fuel that may spill.



Replace engine oil and filter

See instructions under the heading "After the first 50 hours"

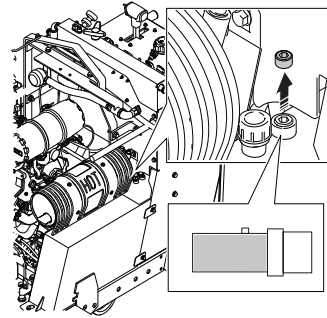
Check wheels for wear or damage.

Check rear wheels for looseness

Check engine air cleaner hose and clamps

Check hydraulic system fluid level

- Ensure that the machine is fully lowered.
- Remove the plug in the inspection opening on the hydraulic reservoir. The level should be to the bottom edge of the opening on the hydraulic reservoir, fill if necessary.



NOTICE! Do not overfill!

Lubricate front axle pivot bearings

See instructions under the heading "Lubrication".

250 hours service

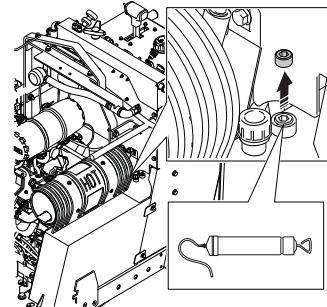
Lubricate rear axle bearing.

See instructions under the heading "Lubrication".

500 hours service

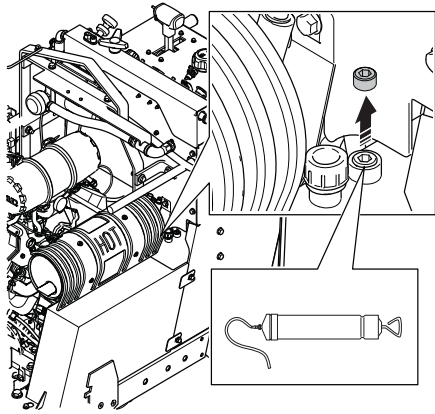
Replace hydraulic system fluid

- Ensure that the machine is fully lowered.
- Remove the plug in the inspection opening on the hydraulic reservoir and use an oil extractor to suck out the fluid through the inspection opening.



MAINTENANCE AND SERVICE

- Refill the reservoir with new oil. Ensure that the machine is fully lowered.

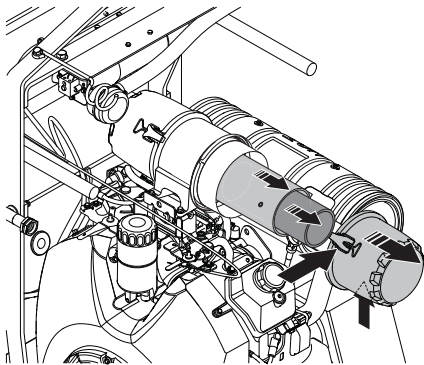


NOTICE! Do not overfill!

Yearly maintenance

Replace outer and inner air filter

Remove the rear cover by opening the 2 air filter housing clamps and pulling the housing off. Replace both filters and refit them in reverse order.



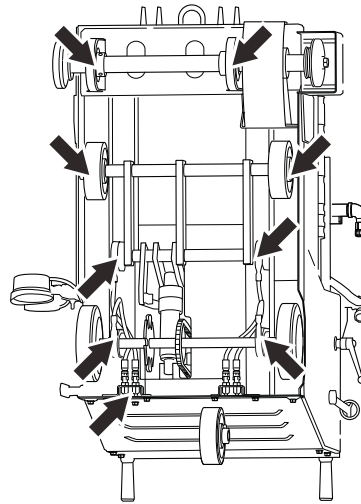
CAUTION! The 2 air filter housing clamps can not be closed unless the outer air filter is properly installed.

Lubrication

The image shows all the lubrication points (8 grease nipples). Clean the nipple. Replace broken or blocked nipples.

- Lubricate the front wheels.
- Lubricate the front axle pivot bearings.
- Lubricate the blade shaft. Two pumps at each end.
- Lubricate rear axle bearing.

Lubricate blade shaft on top of the base plate.



Disposal, scrapping

This product should be submitted to an appropriate recycling station in accordance with local requirements. By ensuring that this product is taken care of correctly, you can help to counteract the potential negative impact on the environment and people that can otherwise result through the incorrect waste management of this product. For more detailed information about recycling this product, contact your municipality, your domestic waste service or the shop from where you purchased the product.



TROUBLESHOOTING

Incidents during sawing

CAUTION! If the engine or blade stops for any reason, raise the blade completely from the cut. Set the Engine start switch to STOP position. Press the Machine stop on the control panel. Inspect the machine thoroughly before restarting the engine.

- Entrust all repairs to your authorized dealer only.

Problem	Cause	Possible action
Engine stops during sawing	Engine out of fuel.	Refill with fuel
	Lack of water signals the Water safety switch to stop the engine	Disengage the Water safety switch and check water supply, then restart the engine.
	The Machine stop has been pressed down	Reset the machine stop by pulling the knob outward.
	Excessively fast cutting will stall the engine	Listen to the sound of the engine. If the engine starts to slow down compensate by pulling Forward/Reverse control lever backwards to decrease feeding and prevent stalling the blade.
	Circuit breaker fuse is blown	Inspect and replace fuses
The diamond blade stops during sawing	Drive belt tension is inadequate	The ROSTA tensioner or drive belt needs to be replaced.
Saw lowers too fast	The valve that controls the saw lowering is open too much.	The lowering rate of the saw can be adjusted using the Saw lowering speed control knob on/under the hydraulic pump. If the saw lowers too quickly, turn the knob clockwise until an adequate lowering rate is set.
The blade cuts too slowly.	The blade has become dull or it is too high feeding pressure	Decrease the cutting depth and engine speed for a short time

TECHNICAL DATA

Battery

	FS 3500 G
Terminal type	Standard SAE
Voltage, V	12
CCA, A	475
Maximum size (LxWxH), mm/inch	242x175x175 / 9 9/16x6 7/8x6 7/8

Hydraulic fluid and lubricants

Hydraulic fluid

Quality	Standard
SAE 10W-30	API Class SE
	API Class CC
	API class CD

Lubricants

Component	Quality	Standard	Oil tank capacity, litre/qt
Engine oil	SAE 10W-30	API Class SJ	2/1.9
Hydrostat Pump	SAE 10W-30		0.19/0.18
Lift Pump	SAE 10W-30		1.0/0.95
Lubrication points (baseplate)*	NLGI 2	SAE J310	

* See instructions in section "Maintenance and service".

TECHNICAL DATA

Technical data

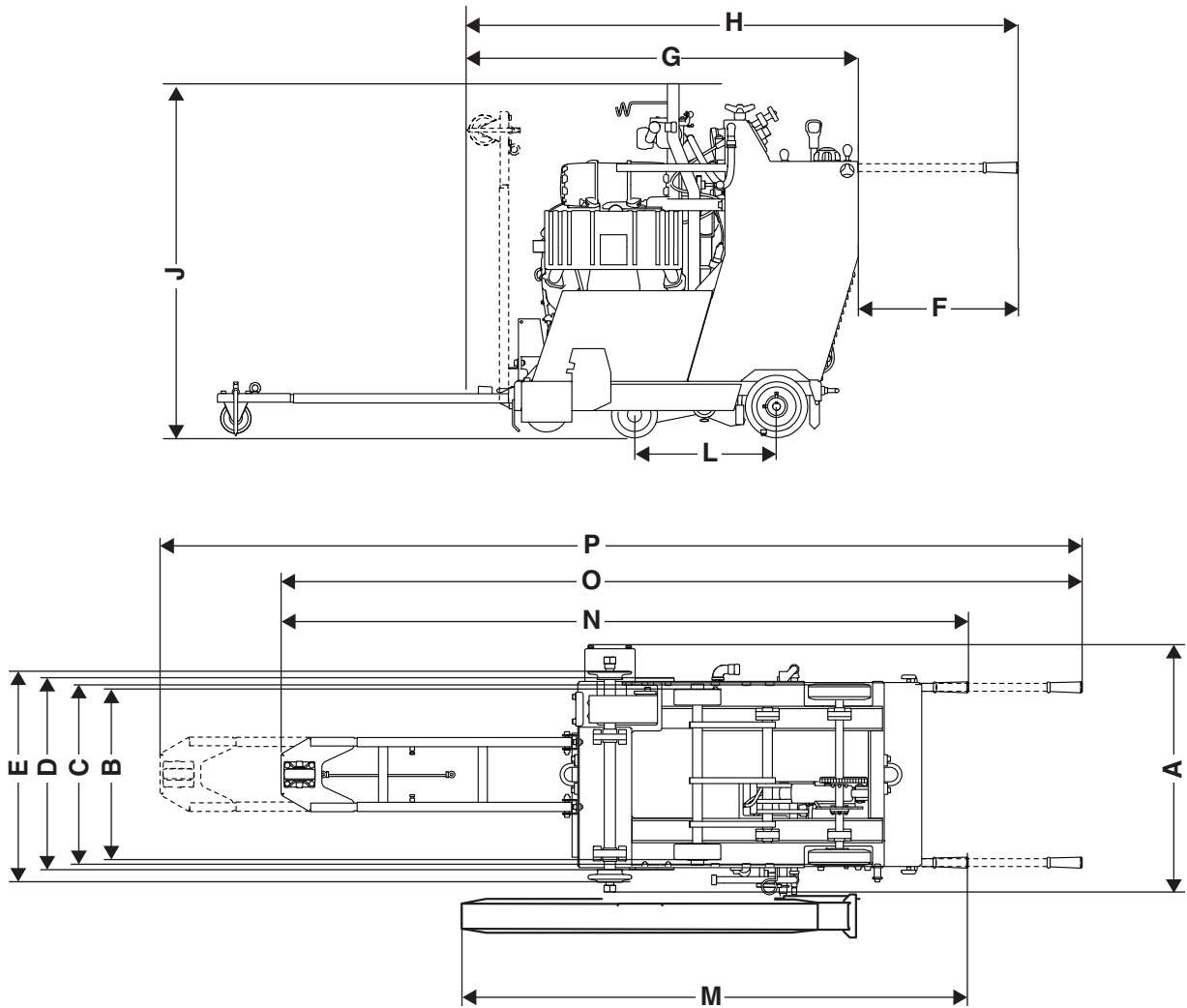
FS 3500 G

Saw feature	500/20	650/26	750/30
Blade guard capacity, mm/inch	500/20	650/26	750/30
Maximum cutting depth, mm/inch	192/7.72	255/10.25	305/12.25
Blade shaft, rpm	2580	1860	1860
Approximate blade shaft output, hp/kW	29/21.6		
Arbor size, mm/inch	25.4/1 with single drive pin		
Quick disconnect blade flange Ø, mm/inch	114.5/4.5	127/5	127/5
Blade shaft diameter, mm/inch	44.45 / 1-3/4		
Blade shaft bearings, mm/inch	Pillow block ball bearings 44.45 / 1-3/4		
Blade shaft drive	Polly-V belt (25 ribs)		
Blade coolant	Zinc plated dual multiple-jet water spray tubes		
Blade guard attachment	Slip-on, auto-latch		
Blade control	Electro-hydraulic pump raises blade; Switch controlled raise/lower on speed control handle; Depth stop and cutting depth indicator.		
Axle Ø, mm/inch	Front, 25.4/1		
	Rear, 25.4/1		
Wheels, mm/inch	Front, 152x51x25/6x2x1, thick polyurethane tread, sealed ball bearing requiring less maintenance		
	Rear, 203x51x25/8x3x1, solid rubber		
Transmission	Hydrostatic pump, with 1 hydraulic wheel motors connected with hoses, chain final drive, neutral start switch, single handle speed control.		
Max. ground speed	Infinitely variable: 0-51m/min / 0-167 fpm forward and reverse. 25m/min maximum reverse speed on CE models		
Chassis	Heavy duty, rigid, box and channel section construction		
Weight (uncrated), kg/lb	409/902	413/911	416/917
Maximum operating mass, kg/lb	431/950	440/970	447/985

TECHNICAL DATA

Saw dimensions

A	Width, mm/inch		807 / 31 3/4	H	Saw length (pointer up, handles extended), mm/inch	1977 / 77 3/4
B	Center to center wheel width, mm/inch	Front	502 / 19 3/4	J	Min. overall height (no exhaust pipe, no pre-cleaner cap), mm/inch	1152 / 45 3/8
		Rear	540 / 21 1/4			
C	Outside to outside wheel width, mm/inch	Front	553 / 21 13/16	L	Wheel base length, mm/inch	464 / 18 1/4
		Rear	591 / 23 1/4	M	Guard to handle length (handles in), mm/inch	1549 / 61
D	Frame width, mm/inch		606 / 23 7/8	N	Max. overall length (handles in), mm/inch	2210 / 87
E	Inner flange to inner flange width, mm/inch		687/27-1/4	O	Max. overall length (handles extended, pointer down), mm/inch	2895 / 114
F	Handle extension, mm/inch		809 / 31 7/8	P	Max. overall length (handles extended, pointer extended), mm/inch	3378 / 133
G	Min. saw length (handles removed, pointer and guard up), mm/inch		1168 / 46			



TECHNICAL DATA

Engine FS 3500 G

Engine specifications	Kohler CH1000
Max. engine output (see note 1)	37hp@3750rpm (27.5kW@3750rpm)
Displacement, dm ³ / cu.in.	1.0/61
Cylinders	2
Stroke, mm / in.	78.5/3.1
Fuel tank capacity, l / gallon	23.8/6.3
Air filter	Cyclon air filter and restriction indicator
Starter	Electric

For further information and questions about this specific engine please see, www.kohlerengines.com.

Note 1: As specified by engine manufacturer. The power rating of the engines indicated is the average net power output (at specified rpm) of a typical production engine for the engine model measured to ISO3046, SAE J1940/J1995. Mass production engines may differ from this value. Actual power output for the engine installed in the final machine will depend on the operating speed, environmental conditions and other variables.

Noise emissions

	FS 3500 G
Noise emissions (see note 1)	
Sound power level, measured dB(A)	107
Sound power level, guaranteed L _{WA} dB(A)	110
Sound levels (see note 2)	
Sound pressure level at the operators ear, dB(A)	95
Vibration levels, a_{hv} (see note 3)	
Handle right, m/s ²	1.6
Handle left, m/s ²	3.8

Note 1: Noise emissions in the environment measured as sound power (L_{WA}) in conformity with EC directive 2000/14/EC. The difference between guaranteed and measured sound power is that the guaranteed sound power also includes dispersion in the measurement result and the variations between different machines of the same model according to Directive 2000/14/EC.

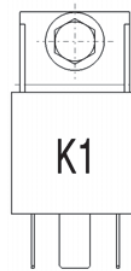
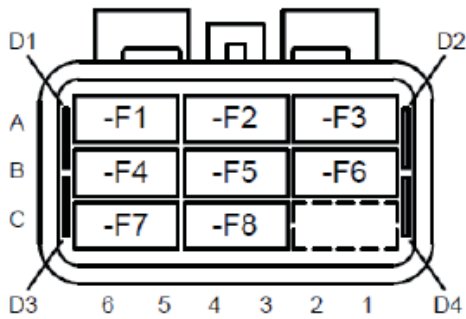
Note 2: Noise pressure level according to EN 13862. Reported data for noise pressure level has a typical statistical dispersion (standard deviation) of 4.0 dB(A).

Note 3: Vibration level according to EN 13862. Reported data for vibration level has a typical statistical dispersion (standard deviation) of 1 m/s².

RELAYS AND FUSES

Relays and fuses - FS 3500 G

Function		Designation	Ampere
Main system		-F1	20
Ignition		-F2	15
Hydraulic System		-F3	5
Engine carb solenoid		-F4	5
Instruments		-F5	2
Water pump kit	(optional)	-F6	10
Light kit	(optional)	-F7	10
Power outlet kit	(optional)	-F8	15
Main relay		-K1	20
Supress relay		-K2	10
Oil sentry relay		-K3	5



EC DECLARATION OF CONFORMITY

EC Declaration of Conformity

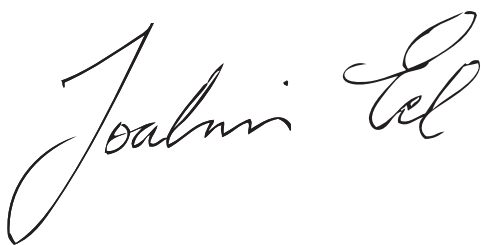
(Applies to Europe only)

Husqvarna AB, SE-561 82 Huskvarna, Sweden, tel +46-36-146500, declares under sole responsibility that the flat saw **Husqvarna FS 3500 G** from 2018's serial numbers and onwards (the year is clearly stated in plain text on the rating plate with subsequent serial number), complies with the requirements of the COUNCIL'S DIRECTIVES:

- of May 17, 2006 "relating to machinery" **2006/42/EC**.
- of February 26, 2014 "relating to electromagnetic compatibility" **2014/30/EU**.
- of May 8, 2000 "relating to the noise emissions in the environment" **2000/14/EC**.

The following standards have been applied: **EN ISO 12100:2010, CISPR12:2007+Amd1:2009, EN55012:2008+A1:2009, EN13862+A1:2009, EN ISO 14982:2009, ISO 13766:2006**. RISE SMP Svensk Maskinprovning AB, Box 7035, SE-750 07 Uppsala, Sweden, has performed voluntary type examination in accordance with the machine directive (2006/42/EC) on behalf of Husqvarna AB. The certificate has the number: **SEC/16/2457**

Partille January 1, 2018



Joakim Ed

Global R & D Director

Construction Equipment Husqvarna AB

(Authorized representative for Husqvarna AB and responsible for technical documentation.)

EXPLICATION DES SYMBOLES

Symboles sur la machine:

Certains symboles indiqués ci-dessous s'appliquent au marché européen.

AVERTISSEMENT! La machine utilisée de manière imprudente ou inadéquate peut devenir un outil dangereux, pouvant causer des blessures graves voire mortelles à l'utilisateur et aux autres personnes présentes.



Lire attentivement et bien assimiler le manuel d'utilisation avant d'utiliser la machine.



Utiliser les équipements de protection personnelle. Voir au chapitre "Équipement de protection personnelle".



Tous les mouvements de la machine en dehors de la zone de coupe doivent être effectués lorsque la lame ne tourne pas.



Retirez la lame avant de procéder au levage, au chargement, au déchargement et au transport de la machine.



Flèche sur la protection de l'outil indiquant le sens de rotation de l'outil.



Les protections doivent toujours être montées sur la machine. Les lames ne doivent pas être exposées plus de 180°.



Vérifier l'équipement de coupe. Ne jamais utiliser un équipement émoussé, fissuré ou endommagé.



Les lames doivent être marquées d'un régime similaire ou supérieur à celui indiqué sur la plaque signalétique de la machine. Un disque découpeur qui tourne à grande vitesse risque de se briser ou d'entraîner des blessures graves.



N'utilisez pas la machine près de gaz ou de substances inflammables.



AVERTISSEMENT! Au cours de la découpe, la poussière générée peut occasionner des blessures si elle est aspirée. Utiliser une protection respiratoire approuvée. Éviter d'inhaler des vapeurs d'essences et des gaz d'échappement. Veiller à disposer d'une bonne ventilation.



Surface chaude.



Risques associés à l'équipement! Gardez toujours toutes les parties du corps éloignées de la lame et de toutes les autres pièces mobiles.



Mise en garde, risque de coupure



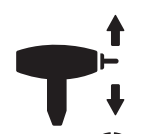
Réglage de l'alimentation en eau



Lame inférieure



Utilisez la lame inférieure et relevez la lame



Contact établi



Démarrage du moteur



Arrêt du moteur



Arrêt de la machine

STOP



Arrêt de la transmission



Remplissage d'essence Un carburant sans plomb



Commande de starter



Huile moteur



Jauge d'huile, maintenez le niveau approprié d'huile moteur.



Ne relevez pas la scie lorsque vous vérifiez le niveau d'huile moteur.



EXPLICATION DES SYMBOLES

Frein de stationnement

Activé / Désactivé



Maintenez la scie de niveau, sans la lame, lorsque vous vérifiez le niveau d'huile.



Pour soulever la machine, toujours utiliser l'œilleton de levage dont elle est munie.



Ce produit est conforme aux directives CE en vigueur. Si ce symbole est indiqué sur la machine.



Émissions sonores dans l'environnement selon la directive de la Communauté européenne. Les émissions de la machine sont indiquées au chapitre Caractéristiques techniques et sur les autocollants.



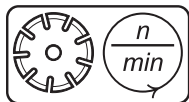
Poids



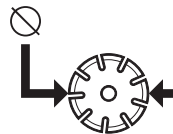
Puissance nominale moteur, en kW



Vitesse max. lame, tr/min



Diamètre de lame, mm



Plaque signalétique

A: Marque

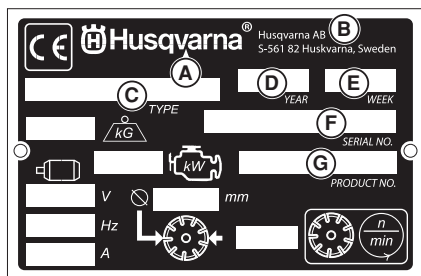
B: Fabricant, adresse

C: Type

D, E: Date de fabrication, année, semaine

F: Numéro de série

G: Référence de produit



Les autres symboles/autocollants présents sur la machine concernent des exigences de certification spécifiques à certains marchés.

Explication des niveaux d'avertissement

Il existe trois niveaux d'avertissement.

AVERTISSEMENT!



AVERTISSEMENT! Symbole utilisé en cas de risque de blessures très graves ou de mort pour l'utilisateur ou de dommages pour les environs si les instructions du manuel ne sont pas suivies.

REMARQUE !



REMARQUE ! Symbole utilisé en cas de risque de blessures pour l'utilisateur ou de dommages pour les environs si les instructions du manuel ne sont pas suivies.

ATTENTION !

ATTENTION ! Symbole utilisé en cas de risque de dommages pour les matériaux ou la machine si les instructions du manuel ne sont pas suivies.

SOMMAIRE

Sommaire

EXPLICATION DES SYMBOLES

Symboles sur la machine:	38
Explication des niveaux d'avertissement	39

SOMMAIRE

Sommaire	40
----------------	----

PRÉSENTATION

Cher client,	41
Conception et propriétés	41
FS 3500 G	41
Éléments de la scie à lame plate – FS 3500 G	42
Éléments du panneau de commande	44

ÉQUIPEMENT DE SÉCURITÉ DE LA MACHINE

Généralités	45
-------------------	----

LAMES

Généralités	47
Lames diamant	47
Transport et rangement	47

MANIPULATION DU CARBURANT

Généralités	48
Carburant	48
Remplissage de carburant	48
Transport et rangement	48

MANIPULATION DE LA BATTERIE

Généralités	49
Branchement de la batterie	49
Débranchement de la batterie	49
Démarrage d'un moteur avec batterie faible	49

COMMANDE

Équipement de protection	50
Instructions générales de sécurité	50
Service	50
Techniques de travail de base	51
Position de la poignée	51
Déplacement de la machine	52
Montage de la lame	53
Profondeur de coupe	55
Sciage en ligne droite	56
Système hydraulique	56
Transport et rangement	57
Entreposage à long terme	57

DÉMARRAGE ET ARRÊT

Avant le démarrage	58
Premier démarrage	58
Démarrage	58
Arrêt	60

ENTRETIEN ET RÉPARATION

Généralités	61
Mesures à prendre en amont en cas d'entretien, de réparation ou de recherche de panne	61
Nettoyage	61
Programme d'entretien	62
Mise au rebut	66

RECHERCHE DE PANNES

Incidents durant le sciage	67
----------------------------------	----

CARACTÉRISTIQUES TECHNIQUES

Batterie	68
Liquide hydraulique et lubrifiants	68
Caractéristiques techniques	69
Émissions sonores	71
RELAIS ET FUSIBLES	
Relais et fusibles – FS 3500 G	72
Assurance de conformité UE	
Déclaration CE de conformité	73

PRÉSENTATION

Cher client,

Nous vous remercions d'avoir choisi un produit Husqvarna !

Nous espérons que cette machine vous donnera toute satisfaction et qu'elle vous accompagnera pendant de longues années. L'achat de l'un de nos produits garantit une assistance professionnelle pour l'entretien et les réparations. Si la machine n'a pas été achetée chez l'un de nos revendeurs autorisés, demandez l'adresse de l'atelier d'entretien le plus proche.

Ce mode d'emploi est précieux. Veillez à ce qu'il soit toujours à portée de main sur le lieu de travail. En suivant les instructions qu'il contient (utilisation, révision, entretien etc.), il est possible d'allonger considérablement la durée de vie de la machine et d'augmenter sa valeur sur le marché de l'occasion. En cas de vente de la machine, ne pas oublier de remettre le manuel d'utilisation au nouveau propriétaire.

Plus de 300 ans d'innovation

Husqvarna AB est une entreprise suédoise qui a vu le jour en 1689 lorsque le roi Karl XI décida de construire un arsenal pour la fabrication des mousquets. À l'époque, les compétences en ingénierie à la base du développement de certains des produits leaders du marché mondial dans des domaines tels que les armes de chasse, les vélos, les motocycles, l'électroménager, les machines à coudre et les produits d'extérieur, étaient déjà solides.

Husqvarna est le premier fournisseur mondial de produits motorisés pour utilisation en extérieur dans la foresterie, l'entretien de parcs, de pelouses et de jardins, ainsi que d'équipements de coupe et d'outils diamant destinés aux industries de la construction et de la pierre.

Responsabilité du propriétaire

Il est de la responsabilité du propriétaire/de l'employeur de s'assurer que l'utilisateur possède les connaissances nécessaires pour manipuler la machine en toute sécurité. Les responsables et les utilisateurs doivent avoir lu et compris le Manuel d'utilisation. Ils doivent avoir conscience :

- Des instructions de sécurité de la machine.
- Des diverses applications de la machine et de ses limites.
- De la façon dont la machine doit être utilisée et entretenue.

La législation nationale peut réglementer l'utilisation de cette machine. Recherchez la législation applicable dans le lieu où vous travaillez avant d'utiliser la machine.

Droit de réserve du fabricant

Husqvarna peut éditer des informations complémentaires concernant l'utilisation de ce produit en toute sécurité après la publication du présent manuel. Il incombe au propriétaire de se tenir informé des méthodes d'utilisation les plus sûres.

Husqvarna AB travaille continuellement au développement de ses produits et se réserve le droit d'en modifier, entre autres, la conception et l'aspect sans préavis.

Pour obtenir des renseignements et de l'aide, consultez notre site Web à l'adresse : www.husqvarna.com ou composez le 1 800 845-1312.

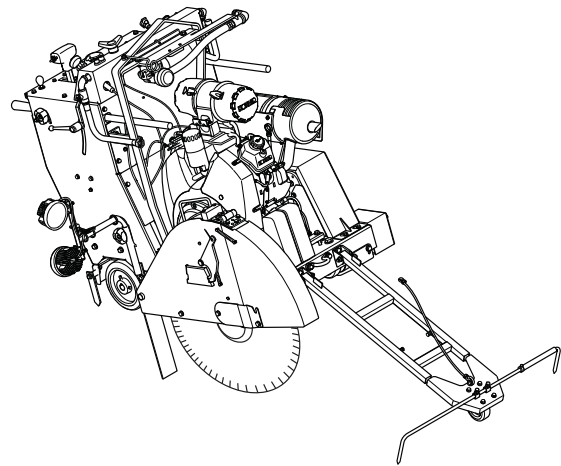
Conception et propriétés

Ces scies à lame plate poussées sont conçues pour être utilisées avec des lames de diamant pour les coupes humides seulement. Elles permettent de couper le béton frais et durci dans différentes catégories de dureté et d'asphalte.

Les produits Husqvarna se distinguent par des valeurs telles que la haute performance, la fiabilité, la technologie innovante, les solutions techniques de pointe et les considérations environnementales. Pour utiliser ce produit en toute sécurité, l'utilisateur doit lire le manuel avec attention. Contactez votre revendeur Husqvarna pour obtenir de plus amples informations.

Certaines des caractéristiques uniques de votre produit sont décrites ci-dessous.

FS 3500 G



Scie

Elle est robuste, agile, facile à utiliser et à entretenir.

Moteur

Facile à utiliser avec son puissant moteur à essence refroidi à l'air doté d'un démarreur électrique.

Transmission de puissance

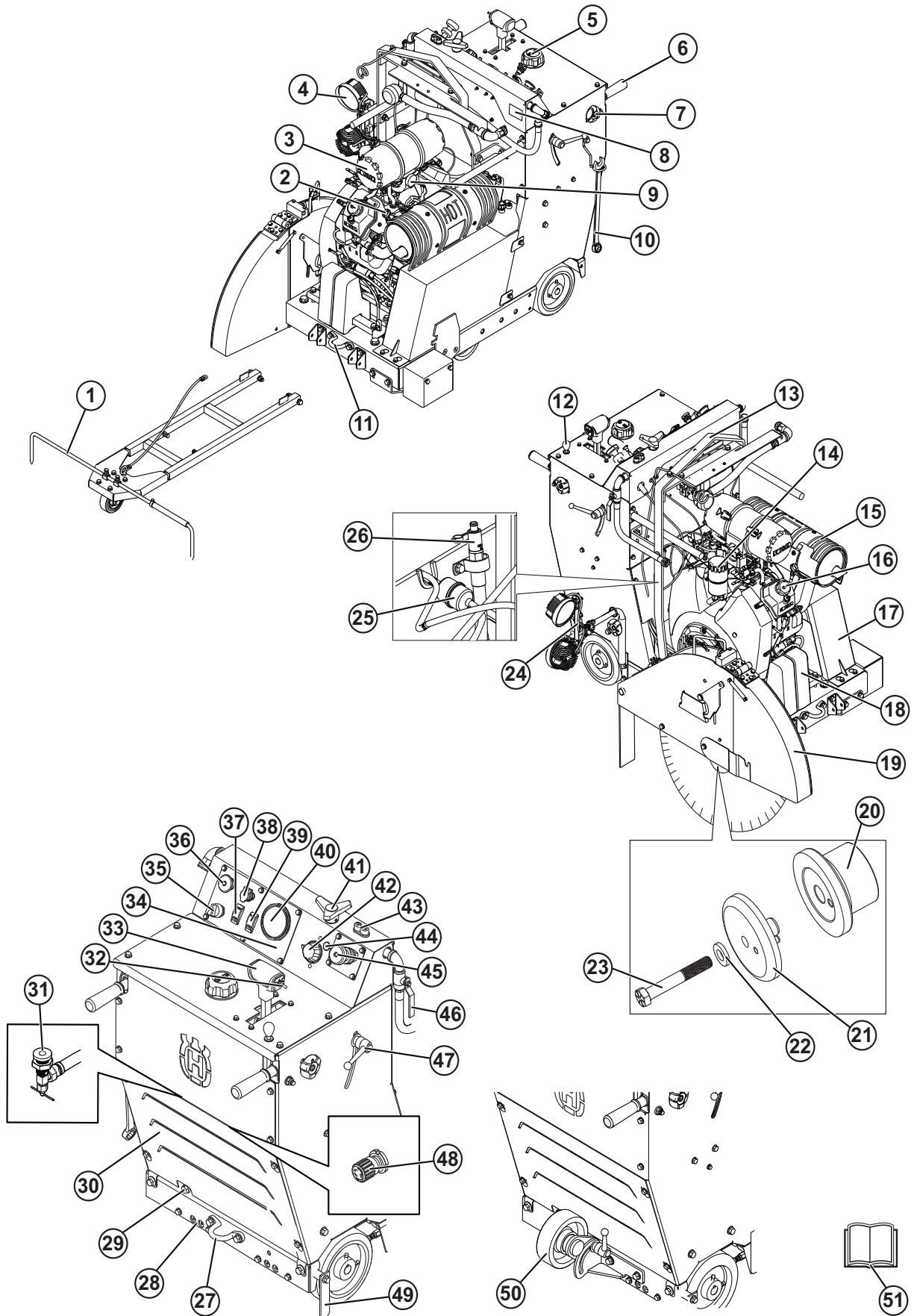
Transmission de puissance robuste et efficace avec réglage dynamique de la tension de courroie pour assurer un transfert de puissance tout en douceur et prolonger la durée de vie de la courroie.

Guide avant

Le guide avant est muni d'un réglage télescopique qui assure une bonne visibilité et un rangement pratique.

PRÉSENTATION

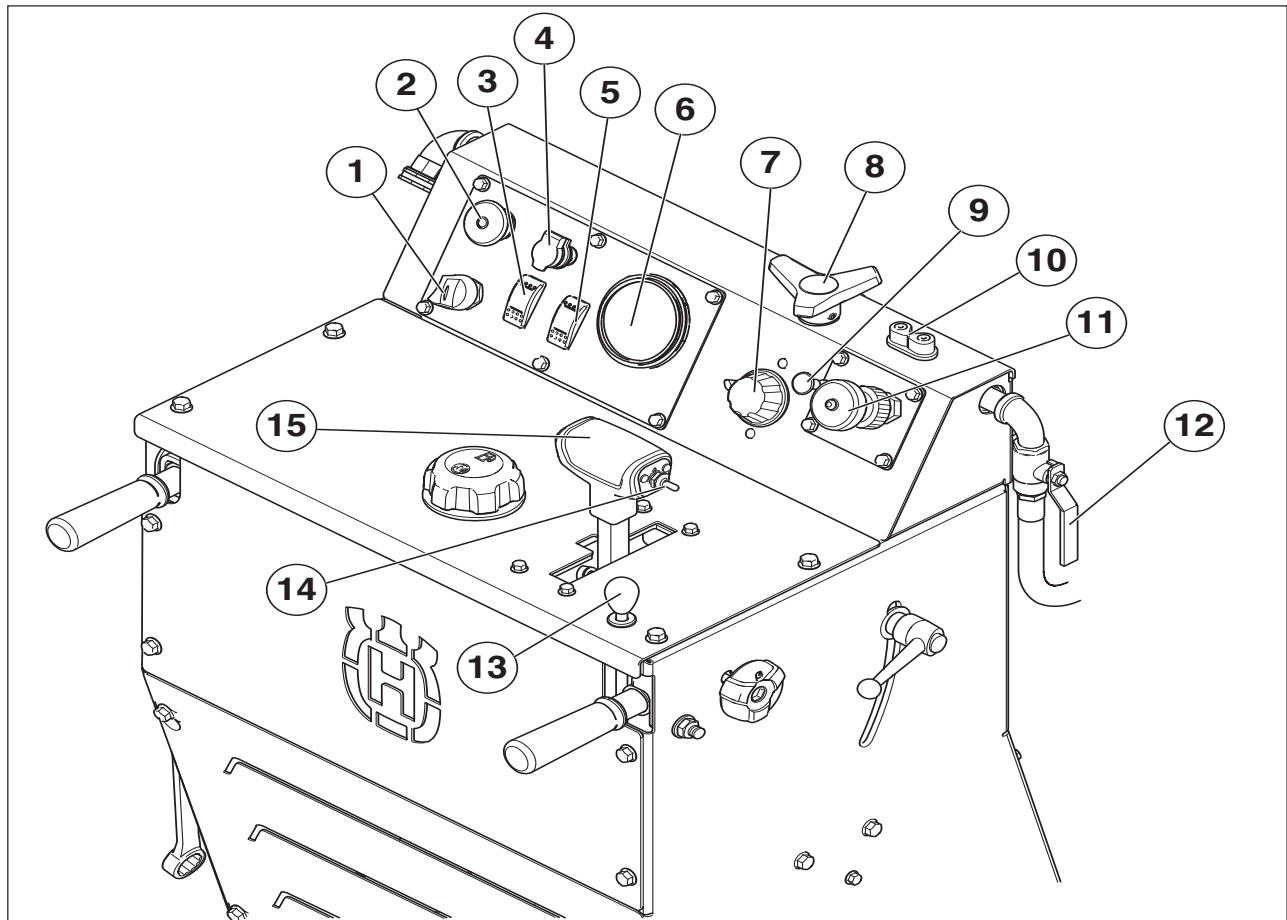
Éléments de la scie à lame plate – FS 3500 G



PRÉSENTATION

- 1 Guide avant
- 2 Vérification du niveau d'huile moteur (jauge d'huile)
- 3 Filtre à air
- 4 Éclairage de travail (accessoire)
- 5 Dispositif de remplissage de réservoir de carburant
- 6 Guidon
- 7 Bouton de verrouillage pour le réglage de la longueur de la poignée.
- 8 Plaque signalétique
- 9 Indicateur d'usure du filtre
- 10 Clé d'arbre de lame
- 11 Crochet d'arrimage avant
- 12 Levier du frein de stationnement (accessoire)
- 13 Œillet de levage
- 14 Filtre à huile moteur
- 15 Silencieux
- 16 Remplissage d'huile
- 17 Carter de la courroie d'entraînement
- 18 Poids (accessoire)
- 19 Protège-lame
- 20 Bride de lame intérieure
- 21 Bride de lame extérieur
- 22 Rondelle d'accouplement
- 23 Boulon de l'arbre de disque
- 24 Interrupteur des feux
- 25 Filtre à carburant moteur
- 26 Boyau de vidange d'huile
- 27 Crochet d'arrimage arrière
- 28 Accès de lubrification facile (accessoire)
- 29 Réglage d'essieu arrière
- 30 Capot de protection arrière
- 31 Soupape d'arrêt de carburant
- 32 Commutateur de relevage et d'abaissement de la lame
- 33 Levier de commande de marche avant et arrière
- 34 Boîte à relais et à fusibles
- 35 Commutateur de démarrage du moteur
- 36 Arrêt de la machine
- 37 Commutateur de sécurité d'eau (accessoire)
- 38 Prise électrique 12V (accessoire)
- 39 Commutateur de pompe à eau
- 40 Compte-tours et compteur horaire du moteur
- 41 Fonction d'arrêt de la profondeur de coupe de la lame
- 42 Indicateur de profondeur de coupe de la lame
- 43 Taquet de serrage
- 44 Commande de starter
- 45 Commande des gaz
- 46 Vanne d'eau
- 47 Bouton de verrouillage pour le réglage de la hauteur de la poignée.
- 48 Vanne de régulation de débit
- 49 Pointeur arrière – côté droit
- 50 Roue de transport
- 51 Manuel d'utilisation

PRÉSENTATION



Le panneau de commande est l'élément qui relie l'opérateur à la machine. À partir de ce panneau, l'opérateur peut contrôler la vitesse de rotation du moteur en tours par minute, commander la profondeur de coupe de la lame et afficher l'état actuel du moteur et de la machine.

Éléments du panneau de commande

- | | | | |
|---|--|----|---|
| 1 | Commutateur de démarrage du moteur | 8 | Fonction d'arrêt de la profondeur de coupe de la lame |
| 2 | Arrêt de la machine | 9 | Commande de starter |
| 3 | Commutateur de sécurité d'eau (accessoire) | 10 | Taquet de serrage |
| 4 | Prise électrique 12V (accessoire) | 11 | Commande des gaz |
| 5 | Commutateur de pompe à eau (accessoire) | 12 | Vanne d'eau |
| 6 | Compte-tours et compteur horaire du moteur | 13 | Levier du frein de stationnement (accessoire) |
| 7 | Indicateur de profondeur de coupe de la lame | 14 | Commutateur de relevage et d'abaissement (lame) |
| | | 15 | Levier de commande de marche avant et arrière |

ÉQUIPEMENT DE SÉCURITÉ DE LA MACHINE

Généralités



AVERTISSEMENT! Ne jamais utiliser une machine dont les équipements de sécurité sont défectueux. Si les contrôles ne donnent pas de résultat positif, confier la machine à un atelier spécialisé. Le moteur doit être coupé et le commutateur de démarrage du moteur doit être en position STOP (arrêt).

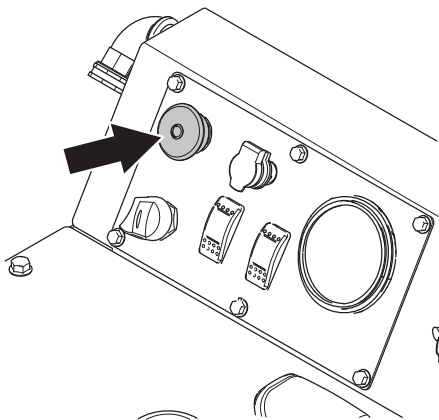


AVERTISSEMENT! La lame tourne lorsque le moteur démarre ou a démarré.

Ce chapitre présente les équipements de sécurité de la machine, leur fonction, comment les utiliser et les maintenir en bon état.

Arrêt de la machine

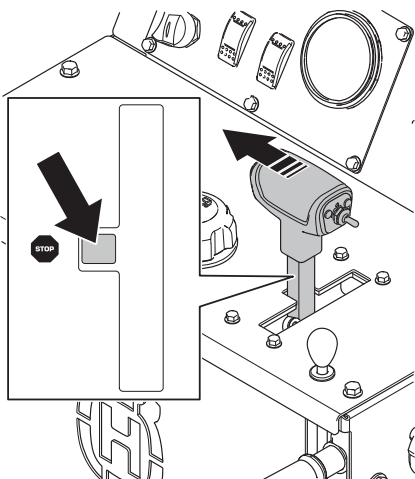
Le bouton d'arrêt de la machine permet de couper rapidement le moteur et de désactiver toutes les fonctions électriques, sauf les feux.



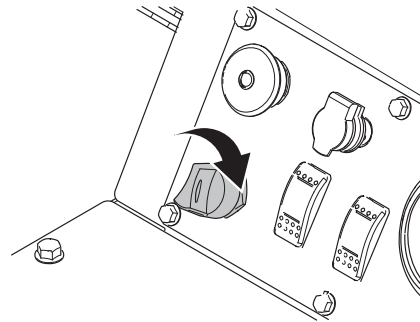
ATTENTION ! N'utilisez pas ce bouton pour l'arrêt régulier.

Vérification de la fonction d'arrêt de la machine à l'aide du bouton

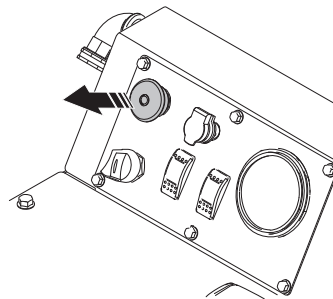
Régler le levier de commande de marche avant et arrière à la position STOP (arrêt). Le moteur ne démarre pas si le levier n'est pas dans la position distincte STOP (arrêt).



- Démarrez le moteur, tournez le commutateur de démarrage du moteur à la position de contact. Suivez la procédure indiquée dans le manuel d'utilisation du moteur.



- Appuyez sur le bouton d'arrêt de la machine et vérifiez que le moteur s'arrête. Ceci permet de régler la machine en mode de sécurité.
- Réinitialisez la fonction d'arrêt de la machine en tirant le bouton vers l'extérieur.



Protège-lame



AVERTISSEMENT! Toujours contrôler que le protège-lame est monté correctement avant de démarrer la machine.

Cette protection se trouve au-dessus de la lame et a pour fonction d'empêcher que des éclats de lame ou du matériau découpé ne soient projetés en direction de l'utilisateur.

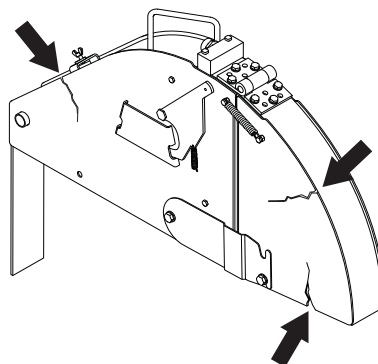
Ce mode permet également de protéger l'utilisateur de la lame et de refroidir la lame avec de l'eau lors des coupes humides.

Contrôle du protège-lame



AVERTISSEMENT! Toujours contrôler que la protection est montée correctement avant de démarrer la machine. Contrôler aussi que la lame est correctement montée et n'est pas abîmée. Une lame abîmée peut engendrer des blessures.

- Contrôler le protège-lame afin de détecter d'éventuels dommages ou fissures. Remplacer le protège-lame s'il a subi des dommages ou s'il présente des fissures.



ÉQUIPEMENT DE SÉCURITÉ DE LA MACHINE

Capots de protection et protections

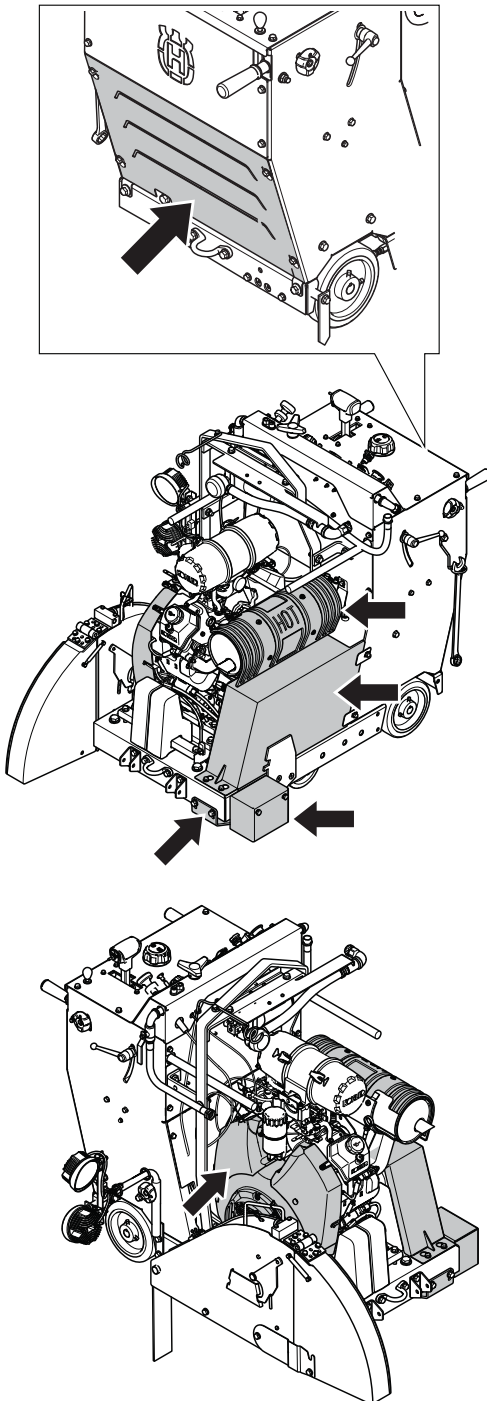


AVERTISSEMENT! Vérifiez toujours que les capots de protection sont montés correctement avant de démarrer la machine.

Les capots de protection de la machine protègent l'utilisateur du ventilateur de refroidissement, des courroies d'entraînement et des surfaces chaudes.

Vérification des capots de protection

- Contrôlez que les capots de protection ne sont pas fissurés ou endommagés. Remplacez tout capot endommagé.



Silencieux



AVERTISSEMENT! N'utilisez jamais une machine sans silencieux ou avec un silencieux défectueux. Si le silencieux est défectueux, le niveau sonore et le risque d'incendie augmentent considérablement. Veillez à disposer des outils nécessaires à l'extinction d'un feu.

Un silencieux devient très chaud en cours d'utilisation et le reste après l'arrêt. Cela est également vrai pour le régime au ralenti. Soyez très attentif aux risques d'incendie, surtout quand vous manipulez des gaz et/ou des substances inflammables.

Le silencieux est conçu pour réduire au maximum le niveau sonore et détourner les gaz d'échappement loin de l'utilisateur.

Contrôle du silencieux

- Contrôler régulièrement que le silencieux est entier et qu'il est attaché correctement.

Généralités



AVERTISSEMENT! Un disque de coupe peut se briser et blesser gravement l'utilisateur.

Le fabricant du disque découpeur émet des avertissements et des recommandations pour l'utilisation et l'entretien adéquats du disque. Ces avertissements sont fournis avec le disque découpeur.

Le disque découpeur doit être vérifié avant d'être assemblé sur la scie, puis faire l'objet d'un contrôle fréquent en cours d'utilisation. Vérifiez l'absence de fissures, de segments perdus (lames diamant) ou de pièces cassées. N'utilisez pas de disque découpeur endommagé.

- Des disques découpeurs de haute qualité sont souvent plus économiques. Les disques découpeurs de qualité inférieure ont souvent des capacités de coupe moindre et une durée de vie inférieure; ceci résulte en un coût plus élevé par rapport à la quantité de matériau découpé. Voir les instructions du chapitre Montage des lames.



AVERTISSEMENT! N'utilisez jamais une lame pour tout autre matériau que celui pour lequel elle est destinée. Ne jamais utiliser des lames dont le régime indiqué est inférieur à celui de la découpeuse. N'utilisez pas des lames de scies circulaires ou des lames à pointe au carbure.

Instabilité de la lame

- La lame peut vaciller et éclater si une vitesse de rotation excessive est utilisée.
- Une vitesse de rotation inférieure peut arrêter la vacillation. Vérifiez la configuration appropriée de la transmission et la lame ou l'engrenage. Sinon, remplacez la lame.

Lames diamant

Généralités

Le disque découpeur continue de tourner pendant au maximum une minute après l'arrêt du moteur. N'arrêtez jamais la lame avec vos mains, vous risqueriez de vous blesser.

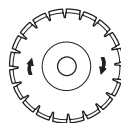


AVERTISSEMENT! Lors de leur utilisation, les lames diamant deviennent très chaudes. Une lame surchauffée est le résultat d'une mauvaise utilisation et peut entraîner une déformation du disque qui causerait des dommages et des blessures.

La découpe de métal génère des étincelles pouvant provoquer un incendie. N'utilisez pas la machine près de gaz ou de substances inflammables.

- Les disques diamant se composent d'une structure en acier et de segments contenant des diamants industriels.
- Les disques diamant sont d'un coup inférieur par découpe, nécessitent moins de remplacements et ont une profondeur de découpe constante.

- En cas d'utilisation d'une lame diamant, veiller à ce qu'elle tourne dans la direction des flèches sur la lame.



Affûtage des lames diamant

- Toujours utiliser une lame diamant acérée.
- Les lames diamant peuvent sémousser en cas de pression avance incorrecte ou de découpe de certains matériaux comme du béton fortement armé. Le travail avec un disque diamant émoussé comporte un risque de surchauffe pouvant provoquer la chute des segments en diamant.
- Affûtez la lame en réduisant la profondeur de coupe et la vitesse de rotation du moteur pendant un court moment. Ceci permettra d'exposer des diamants neufs et tranchants sur la lame.

Lames diamant et refroidissement

- Lors de la découpe, les frictions dans la coupe entraînent la chauffe de la lame diamant. Si la lame finit par devenir trop chaude, cela peut entraîner une perte de la tension de la lame ou le fissurage du noyau. Par conséquent, la lame de diamant doit être refroidie à l'eau.

Disques diamant pour découpe à l'eau

Lors de la découpe, les frictions dans la coupe entraînent la chauffe de la lame diamant. Si la lame finit par devenir trop chaude, cela peut entraîner une perte de la tension de la lame ou le fissurage du noyau.

Laissez la lame refroidir avant de la toucher.

- Les lames diamant de découpe à l'eau doivent être utilisées avec de l'eau pour refroidir le noyau et les segments de lame lors du sciage. Les lames de découpe à l'eau NE doivent PAS être utilisées à sec.
- L'utilisation de lames de découpe à l'eau sans eau peut induire une accumulation excessive de chaleur, entraînant des performances médiocres et de graves dommages sur la lame, et constituant un risque pour la sécurité.
- L'eau refroidit la lame et augmente la durée de vie de l'outil, tout en réduisant la formation de poussière.
- Utilisez le sciage humide pour le béton vieux, le béton frais et l'asphalte.

Taille de lame, po/mm	Profondeur de coupe maximale, po/mm
500/20	192/7.72
650/26	255/10.25
750/30	305/12.25

ATTENTION ! Utilisez toujours un flasque de lame dont la taille est adaptée à la taille de la lame actuelle. N'utilisez jamais des flasques endommagés.

Transport et rangement

- Rangez les lames de coupe dans un endroit sécuritaire pour éviter de les endommager.
- Ranger le disque au sec et à l'abri du gel.
- Avant toute utilisation, vérifiez si les disques neufs ne comportent pas de défauts causés par la manutention ou le magasinage.

MANIPULATION DU CARBURANT

Généralités



AVERTISSEMENT! Faire tourner un moteur dans un local fermé ou mal aéré peut causer la mort par asphyxie ou empoisonnement au monoxyde de carbone.

Le carburant et les vapeurs de carburant sont très inflammables et peuvent causer des blessures graves en cas d'inhalation ou de contact avec la peau. Il convient donc d'observer la plus grande prudence lors de la manipulation du carburant et de veiller à disposer d'une bonne aération.

Les gaz d'échappement du moteur sont très chauds et peuvent contenir des étincelles pouvant provoquer un incendie. Par conséquent, ne jamais démarrer la machine dans un local clos ou à proximité de matériaux inflammables!

Ne fumez jamais ni ne placez d'objet chaud à proximité du carburant.

Carburant

Essence

- Utilisez de l'essence sans plomb propre et neuve.
- L'indice d'octane le plus bas recommandé est de 87 ((RON+MON)/2). Si le moteur utilise une essence d'un indice d'octane inférieur à 87, des cognements risquent de se produire. Ceci résulte en une augmentation de la température du moteur et une charge élevée au niveau des paliers pouvant causer de graves avaries moteur.

Huile moteur

Stationnez toujours la machine sur une surface plane avant de vérifier l'huile. Maintenez la scie de niveau, sans la lame, lorsque vous vérifiez le niveau d'huile.

- Contrôler le niveau d'huile avec de démarrer la machine. Un niveau d'huile trop bas risque d'endommager gravement le moteur. Consultez les instructions dans la section « Entretien et réparation ».
- Ne jamais utiliser d'huile pour moteurs à deux temps. Utilisez seulement de l'huile moteur à faible teneur en cendres, tel qu'indiqué dans la section « Données techniques ».

ATTENTION ! Veiller à ce que le moteur contienne toujours suffisamment d'huile.

Remplissage de carburant



AVERTISSEMENT! Arrêter le moteur et le laisser refroidir pendant quelques minutes avant de faire le plein.

Ouvrir le bouchon du réservoir lentement pour laisser baisser la surpression pouvant régner dans le réservoir.

Nettoyez le pourtour du bouchon de réservoir.

Serrer soigneusement le bouchon du réservoir après le remplissage. Si le bouchon n'est pas serré correctement, il risque de s'ouvrir à cause des vibrations et du carburant peut alors s'échapper du réservoir de carburant, entraînant un risque d'incendie.

Avant de mettre la machine en marche, la déplacer à au moins 3 mètres de l'endroit où a été fait le plein.

Ne jamais démarrer la machine:

- Si du carburant ou de l'huile moteur ont été répandus sur la machine. Essuyer soigneusement toutes les éclaboussures et laisser les restes d'essence s'évaporer.
- Si vous avez renversé du carburant sur vous ou sur vos vêtements, changez de vêtements. Lavez les parties du corps qui ont été en contact avec le carburant. Utilisez de l'eau et du savon.
- S'il y a fuite de carburant. Vérifier régulièrement que le bouchon du réservoir et la conduite de carburant ne fuient pas.

Transport et rangement

- Transporter et ranger la machine et le carburant de façon à éviter que toute fuite ou émanation éventuelle entre en contact avec une flamme vive ou une étincelle: machine électrique, moteur électrique, contact/interrupteur électrique ou chaudière.
- Lors du stockage et du transport de carburant, toujours utiliser un récipient homologué et conçu à cet effet.

MANIPULATION DE LA BATTERIE

Généralités



AVERTISSEMENT! Les batteries plomb-acide génèrent des gaz explosifs. Éviter les étincelles, les feux ouverts et de fumer près des batteries.

- Le branchement ou le débranchement de la batterie peut causer des étincelles et des courts-circuits.
- Une étincelle ou une flamme peut provoquer l'explosion d'une batterie au plomb.
- Ne branchez jamais les deux bornes sur la batterie en même temps au moyen d'une clé ou d'un autre métal pour éviter de court-circuiter la batterie.
- Manipulez toujours la batterie avec soin.
- Les batteries inutilisées doivent rester à distance d'objets métalliques tels que des clous, des pièces de monnaie ou des bijoux.
- Avant de brancher la batterie, retirez bracelets en métal, montres, bagues, etc. Portez des gants et des lunettes de protection ou un masque à poussière lorsque vous manipulez la batterie.
- La batterie d'origine ne nécessite aucun entretien. N'essayez pas de retirer ou d'ouvrir les bouchons et couvercles. Il n'est généralement pas nécessaire de vérifier ou d'ajuster le niveau d'électrolyte.
- N'utilisez qu'une batterie similaire ne nécessitant aucun entretien pour remplacement. Consultez les informations dans la section Caractéristiques techniques.
- Lorsque vous effectuez un soudage sur la machine, débranchez toujours les deux câbles de batterie et rangez les câbles à une distance éloignée des pôles de batterie.
- Branchez toujours le pôle négatif de l'appareil de soudage aussi près que possible du point de soudure.

ATTENTION ! N'utilisez pas une batterie dont la taille maximale physique de la batterie est supérieure à celle prescrite. Une batterie de taille trop grande peut endommager les pièces se trouvant à proximité ou être endommagée par celles-ci.

Manipuler la batterie prudemment et dans le respect de l'environnement. Suivre les directives locales en matière de recyclage.

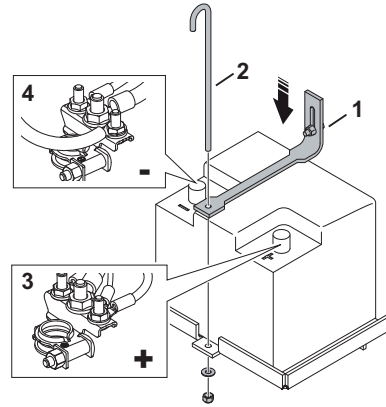
- Si la batterie ne peut maintenir la tension pendant des périodes prolongées lorsque la charge n'est pas appliquée, remplacez la batterie. Pour obtenir de plus amples renseignements sur les batteries recommandées, consultez la section « Données techniques ».
- Chargez régulièrement la batterie.
- Gardez les bornes de batterie et ses accessoires propres.

Branchement de la batterie

Remarque! Installez et déposez les câbles de batterie uniquement dans l'ordre décrit dans cette section.

- 1 Installez le support de batterie.
- 2 Verrouillez la batterie au moyen de la goupille.

- 3 Branchez toujours la borne positive en premier.
- 4 Branchez la borne négative.



Débranchement de la batterie

- Retirer les câbles dans l'ordre inverse.

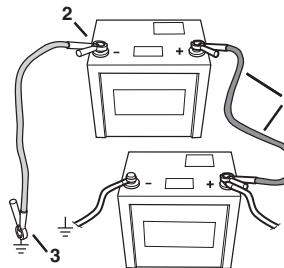
Démarrage d'un moteur avec batterie faible

Si les batteries sont trop faibles pour démarrer le moteur, elles doivent être rechargées.

Si des câbles sont utilisés pour un démarrage d'urgence, procéder comme suit:

Raccordement des câbles de démarrage

- 1 Brancher chaque extrémité du câble rouge à la borne POSITIVE (+) de chaque batterie en veillant à ne pas court-circuiter une extrémité contre le châssis.
- 2 Brancher une extrémité du câble noir à la borne NÉGATIVE (-) de la batterie complètement chargée.
- 3 Branchez l'autre extrémité du câble noir à une bonne MASSE DU BLOC MOTEUR, à l'écart du réservoir de carburant et de la batterie.



Retirer les câbles dans l'ordre inverse.

- Le câble NOIR est retiré du bloc moteur, puis de la batterie entièrement chargée.
- Débrancher ensuite le câble ROUGE des deux batteries.

Remisage

- Rangez la batterie dans un endroit frais et sec.

COMMANDE


Équipement de protection

Généralités

Assurez-vous toujours de la présence à proximité d'une autre personne lorsque vous utilisez la machine afin que vous puissiez demander de l'aide en cas d'accident.

Équipement de protection personnelle

Un équipement de protection personnelle homologué doit impérativement être utilisé lors de tout travail avec la machine. L'équipement de protection personnelle n'élimine pas les risques mais réduit la gravité des blessures en cas d'accident. Demander conseil au concessionnaire afin de choisir un équipement adéquat.




AVERTISSEMENT! L'utilisation de produits, tels que les couteaux, les broyeurs, les perceuses, les scies qui sablent ou forment une matière, peut entraîner la formation de poussière et de vapeurs qui peuvent contenir des produits chimiques dangereux. Vérifiez le type de matériau avec lequel vous devez travailler et utilisez un masque filtrant approprié.

Une exposition prolongée au bruit risque de causer des lésions auditives permanentes. Utilisez toujours des protecteurs d'oreilles agréés. Soyez attentif aux appels ou cris d'avertissement lorsque vous portez des protecteurs d'oreilles. Enlevez toujours vos protecteurs d'oreilles dès que le moteur s'arrête.

Toujours utiliser:

- Casque de protection homologué
- Protecteur d'oreilles
- Des protège-yeux homologués. L'usage d'une visière doit toujours s'accompagner du port de lunettes de protection homologuées. Par lunettes de protection homologuées, on entend celles qui sont en conformité avec les normes ANSI Z87.1 (États-Unis) ou EN 166 (pays de l'UE). La visière doit être conforme à la norme EN 1731.
- Protection respiratoire homologuée
- Gants solides permettant une prise sûre.
- Vêtements confortables, robustes et serrés qui permettent une liberté totale de mouvement. La découpe crée des étincelles qui peuvent enflammer les vêtements. Husqvarna vous recommande de porter du coton ignifugé ou du denim épais. Ne portez pas de vêtements composés de matières comme le nylon, le polyester ou la rayonne. Si elles s'enflamment, ces matières peuvent fondre et adhérer à la peau. Ne portez pas de shorts
- Bottes avec coquille en acier et semelle antidérapante.

Autre équipement de protection



REMARQUE ! Lorsque vous travaillez avec la machine, des étincelles peuvent se former et mettre le feu. Gardez toujours à portée de main les outils nécessaires à l'extinction d'un feu.

- Extincteur
- Une trousse de premiers secours doit toujours être disponible.

Instructions générales de sécurité

Le présent chapitre décrit les consignes de sécurité de base relatives à l'utilisation de la machine. Aucune de ces informations ne peut remplacer l'expérience et le savoir-faire d'un professionnel.


- Lire attentivement et bien assimiler le manuel d'utilisation avant d'utiliser la machine. Il est recommandé aux nouveaux opérateurs d'obtenir également des instructions pratiques avant d'utiliser la machine.
- N'oubliez pas que c'est vous, l'opérateur, qui êtes responsable de protéger les tiers et leurs biens de tout accident ou danger.
- La machine doit rester propre. Les signes et autocollants doivent être parfaitement lisibles.

Service

Faites réparer votre machine par un technicien qualifié et utilisez seulement des pièces de rechange identiques. Ceci permettra d'assurer la sécurité continue de la machine.

Utilisez toujours votre bon sens

Il est impossible de mentionner toutes les situations auxquelles vous pouvez être confronté. Soyez toujours vigilant et utilisez l'appareil avec bon sens. Si vous êtes confronté à une situation où vous pensez ne pas être en sécurité, arrêtez immédiatement et consultez un spécialiste. Veillez contacter votre revendeur, votre atelier de réparation ou un utilisateur expérimenté. Il convient d'éviter tous les travaux pour lesquels vous ne vous sentez pas suffisamment qualifié !



AVERTISSEMENT! La machine utilisée de manière imprudente ou inadéquate peut devenir un outil dangereux, pouvant causer des blessures graves voire mortelles à l'utilisateur et aux autres personnes présentes.

Ne jamais permettre à des enfants ou à des personnes ne possédant pas la formation nécessaire d'utiliser ou d'entretenir la machine.

Ne jamais laisser d'autres personnes utiliser la machine sans s'être assuré au préalable que ces personnes ont bien compris le contenu du mode d'emploi.

N'utilisez jamais la machine si vous êtes fatigué, avez bu de l'alcool ou pris des médicaments susceptibles d'affecter votre vue, votre jugement ou la maîtrise de votre corps.

COMMANDE



AVERTISSEMENT! Toute modification non autorisée et/ou tout emploi d'accessoires non homologués peuvent provoquer des accidents graves voire mortels pour l'utilisateur et les autres. Ne jamais modifier sous aucun prétexte la machine sans l'autorisation du fabricant.

Ne modifiez jamais cette machine de façon à ce qu'elle ne soit plus conforme au modèle d'origine et n'utilisez jamais une machine qui semble avoir été modifiée.

Ne jamais utiliser une machine qui n'est pas en parfait état de marche. Appliquer les instructions de maintenance et d'entretien ainsi que les contrôles de sécurité indiqués dans ce manuel d'utilisation. Certaines mesures de maintenance et d'entretien doivent être confiées à un spécialiste dûment formé et qualifié. Voir les instructions à la section Maintenance.

N'utiliser que des accessoires et des pièces d'origine.



AVERTISSEMENT! Cette machine génère un champ électromagnétique en fonctionnement. Ce champ peut dans certaines circonstances perturber le fonctionnement d'implants médicaux actifs ou passifs. Pour réduire le risque de blessures graves ou mortelles, les personnes portant des implants médicaux doivent consulter leur médecin et le fabricant de leur implant avant d'utiliser cette machine.

Sécurité dans l'espace de travail



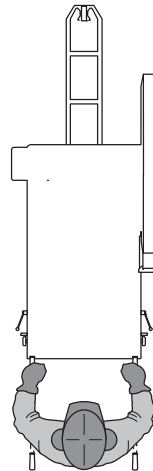
AVERTISSEMENT! Il incombe à l'utilisateur de s'assurer qu'aucun animal et qu'aucun spectateur ne se trouve à l'intérieur de la zone de travail. Ne commencez pas la coupe avant de vous assurer que la zone de travail est dégagée.

- Observez la zone environnante et assurez-vous qu'aucun facteur ne risque d'affecter votre contrôle de la machine.
- Assurez-vous que personne/rien ne peut se trouver en contact avec l'équipement de coupe ou être touché par des pièces projetées par la lame.
- N'installez pas de lame sur la machine avant qu'elle n'ait été transportée jusqu'à la zone de coupe.
- Ne pas travailler par mauvais temps: brouillard épais, pluie diluvienne, vent violent, grand froid, etc. Travailler par mauvais temps est fatiguant et peut créer des conditions de travail dangereuses telles que le verglas.
- Ne jamais commencer à travailler avec la machine sans avoir le champ libre et les pieds bien d'aplomb. Identifier les obstacles éventuels dans le cas de déplacement inattendu. S'assurer qu'aucun matériau ne risque de tomber et de provoquer des blessures ou des dommages lors de travail avec la machine. Redoubler de prudence en cas de travail dans un terrain en pente.
- S'assurer que l'éclairage de la zone de travail est suffisant pour que l'environnement de travail soit de toute sécurité.

- Assurez-vous qu'aucun tuyau ou câble électrique ne passe par la zone de travail ou dans le matériau à découper.
- Faire tourner un moteur dans un local fermé ou mal aéré peut causer la mort par asphyxie ou empoisonnement au monoxyde de carbone.

Techniques de travail de base

- Cette machine est conçue pour la découpe du béton frais et renforcé dans différentes classes de dureté, et de l'asphalte.
- Sciez toujours dans une position qui facilite l'accès au bouton d'arrêt de la machine.
- Vérifiez qu'aucun outil ou autre objet n'a été posé sur la machine.
- Toujours contrôler que le protège-lame est monté correctement avant de démarrer la machine. Ne procédez jamais à une découpe sans utiliser le protège-lame.
- Avant le sciage, toutes les entailles doivent être marquées clairement et planifiées de manière à pouvoir être effectuées sans danger pour les personnes ou la machine.
- Ne meulez jamais avec le côté du disque; il risquerait de s'abîmer, de se casser ou de causer de graves blessures. N'utiliser que le tranchant.
- Ne vous tenez pas derrière ou devant la trajectoire de la lame alors que le moteur est en marche.
- Ne laissez pas la machine sans surveillance alors que le moteur est en marche.
- Vous ne devez jamais basculer la lame sur le côté, ni la coincer, ni l'entortiller dans une coupure.
- Assurez-vous toujours de la présence à proximité d'une autre personne lorsque vous utilisez la machine afin que vous puissiez demander de l'aide en cas d'accident.
- Ne vous tenez jamais derrière ou devant la trajectoire de la lame lorsque le moteur est en marche. La position de l'opérateur doit être entre les deux poignées de guidon.



Position de la poignée

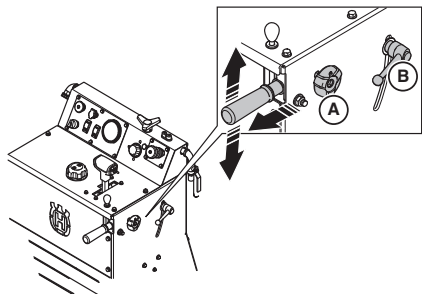
REMARQUE ! N'utilisez jamais les poignées de guidon pour soulever la scie.

Utilisez les poignées de guidon pour manœuvrer la scie.

Vous pouvez régler la hauteur et la longueur de la position de la poignée.

COMMANDE

- Desserrez le bouton de verrouillage **A** pour régler la longueur. Poignée de réglage de la longueur de travail plus confortable. Serrez le bouton de verrouillage.
- Tournez le bouton de verrouillage de réglage de la poignée **B** dans le sens contraire des aiguilles d'une montre pour déverrouiller la poignée et la repositionner. Tournez-le dans le sens des aiguilles d'une montre pour verrouiller la poignée en position. Placer la poignée à la hauteur de travail la plus confortable. Serrez le bouton de verrouillage.



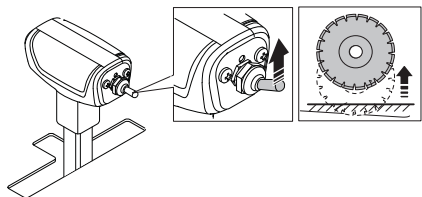
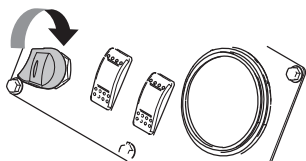
Déplacement de la machine

Avant de déplacer la machine, lisez et assurez-vous de bien comprendre les instructions indiquées dans la section « Démarrage et arrêt ».

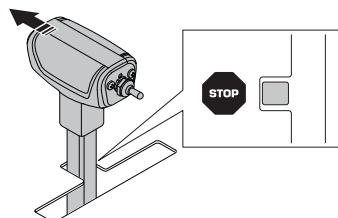
Déplacement de la machine lorsque le moteur est arrêté

- Réglez le commutateur de démarrage du moteur à la position RUN (marche).

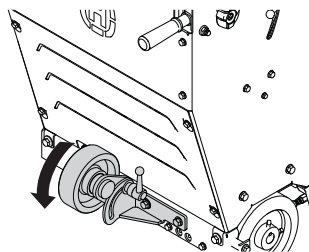
Relevez la scie en appuyant sur le commutateur de marche avant et arrière situé sur le levier de commande de vitesse jusqu'à ce que la lame (si elle est installée) ne touche pas à la surface de la chaussée.



- Placez le levier de commande de marche avant et arrière à la position d'arrêt ou neutre.



- Tournez le bouton de verrouillage dans le sens antihoraire pour déverrouiller la roue libre et la repositionner en mode transport. Serrez le bouton de verrouillage.



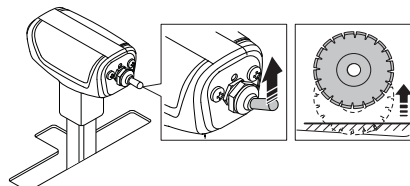
- Relevez la scie afin que les deux roues arrière ne touchent plus la surface. Vous pouvez désormais déplacer la scie en vous plaçant derrière celle-ci et en la poussant (tout en maintenant les poignées de guidon).



AVERTISSEMENT! Ne tentez pas de pousser la scie dans une pente, si la roue de transport est engagée. L'opérateur de la scie peut perdre la maîtrise de la scie et se blesser ou blesser d'autres personnes se trouvant dans la zone de travail.

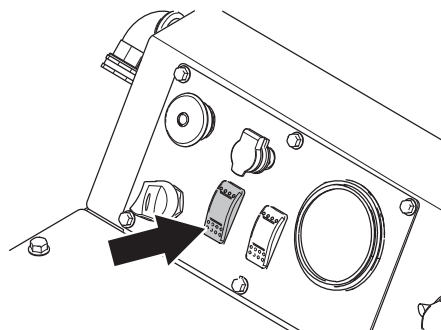
Déplacement de la scie lorsque le moteur est en marche

- Relevez la scie en appuyant sur le commutateur de marche avant et arrière situé sur le levier de commande de vitesse jusqu'à ce que la lame (si elle est installée) ne touche pas à la surface de la chaussée.



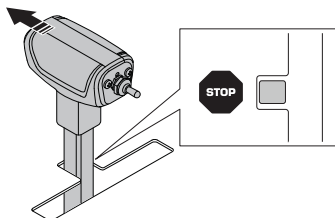
AVERTISSEMENT! Ne transportez jamais la machine hors de la zone de coupe avec le moteur en marche et une lame installée.

- Réglez le commutateur de sécurité d'eau à la position OFF (désactivé).

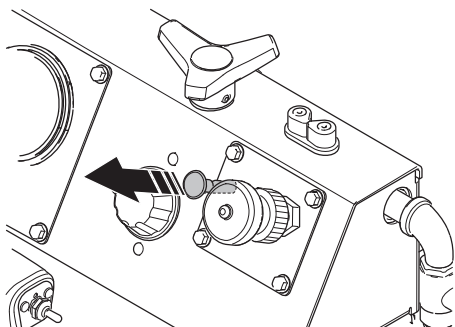


COMMANDE

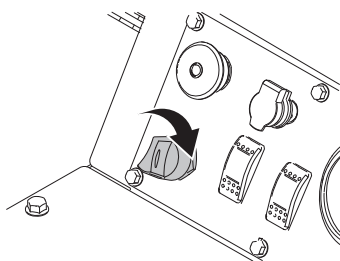
- Placez le levier de commande de marche avant et arrière à la position d'arrêt ou neutre. Le moteur ne démarre pas si le levier n'est pas dans la position d'arrêt ou neutre.



- Tirez sur l'étrangleur du moteur.

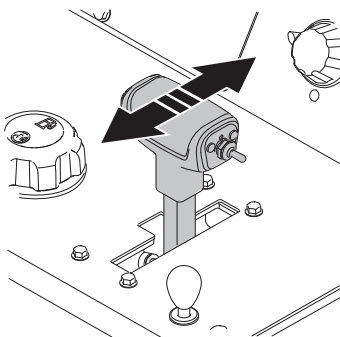


- Placez le commutateur de démarrage du moteur à la position de démarrage du moteur jusqu'à ce que le moteur démarre, puis relâchez le commutateur. Il retourne automatiquement à la position de contact. Si le moteur ne démarre pas, répétez ces étapes.



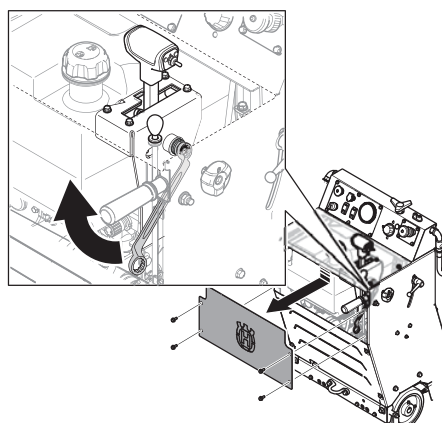
- Poussez le levier de commande de marche avant et arrière vers l'avant pour déplacer la scie vers l'avant ou poussez-le vers l'arrière pour déplacer la scie vers l'arrière.

Plus vous poussez le levier, plus la vitesse est rapide. Pour de plus amples informations, consultez la rubrique « Caractéristiques techniques ».



AVERTISSEMENT! Ne placez pas la transmission au point mort lorsque la scie est stationnée sur une pente ou une colline. L'opérateur perdra la maîtrise de la machine et pourrait subir des blessures ou provoquer des dommages.

Réglez la résistance sur le levier de commande de marche avant et arrière à l'aide de l'écrou sur le côté du levier.



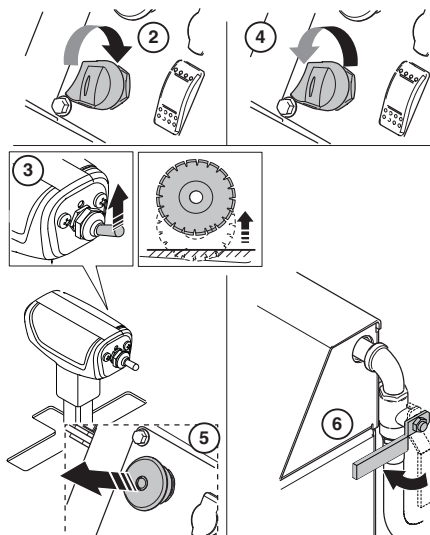
Montage de la lame



AVERTISSEMENT! Toujours mettre l'interrupteur de démarrage du moteur à la position OFF avant d'installer la lame.

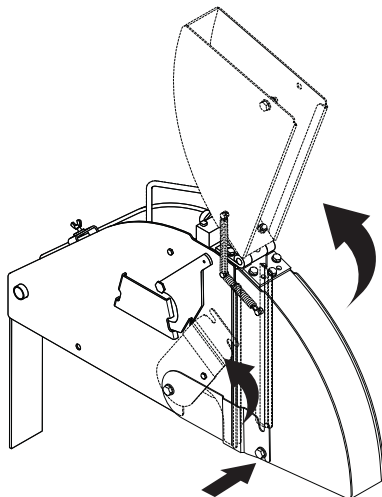
ATTENTION ! Contrôlez le sens de rotation de la lame. La flèche sur la lame et le protège-lame indiquent le sens de rotation.

- Transportez la machine dans la zone de coupe et vérifiez les environs en fonction des informations qui se trouvent dans la rubrique Sécurité de la zone de coupe.
- Réglez le commutateur de démarrage du moteur à la position de contact.
- Relevez la scie à une position haute à l'aide du commutateur de relevage et d'abaissement situé sur le levier de commande de marche avant et arrière.
- Réglez l'interrupteur de démarrage du moteur en position OFF.
- Appuyez sur le bouton d'arrêt de la machine situé sur le panneau de commande.
- Éteignez le robinet de prise d'eau.



COMMANDE

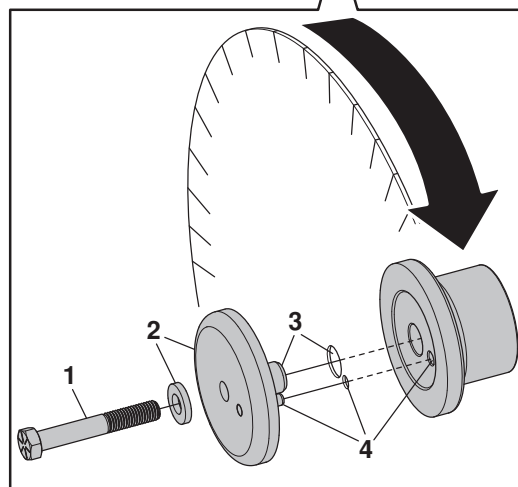
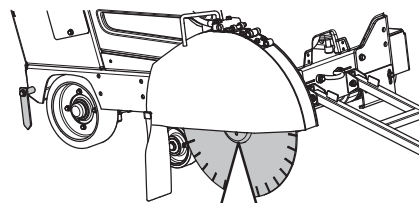
- Desserrez le boulon avant du protège-lame et relevez le loquet du protège-lame.
- Soulevez la partie avant du protège-lame.



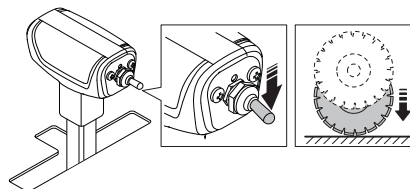
AVERTISSEMENT! Assurez-vous que la lame, les flasques de lame et l'arbre de flasque de lame ne sont pas endommagés. Nettoyez les surfaces de contact de la lame et les flasques de lame. Assurez-vous que la lame et les flasques sont propres et qu'ils sont exempts de saletés et de débris avant l'installation de la lame sur la machine.

Le boulon de l'arbre de lame du côté droit de la scie comporte des filets gauches et le boulon de l'arbre de lame du côté gauche de la scie comporte des filets droits. Remplacez le boulon de l'arbre de lame et la rondelle plate lorsqu'ils sont usés ou endommagés.

- 1 Desserrez le boulon de l'arbre de disque servant à serrer le disque entre les brides intérieure et extérieure.
 - 2 Retirez la bride extérieure et la rondelle plate.
 - 3 Montez le disque diamanté sur l'arbre de bride extérieure.
 - 4 Installez le flasque extérieur avec la lame pré-installée dans le flasque intérieur en vous assurant que la goupille de verrouillage traverse la lame de diamant et est acheminée dans le flasque intérieur. Utilisez toujours une rondelle plate avec le boulon d'arbre de disque. Faites pivoter le flasque extérieur et la lame dans le sens opposé de la rotation de la lame pour éliminer le jeu.
- Installez et serrez le boulon de l'arbre de disque et la rondelle plate à l'aide de la clé d'arbre de disque tout en maintenant fermement le disque en place.



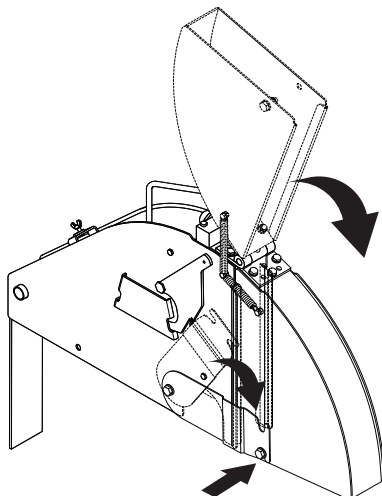
Abaissez la scie en appuyant vers le bas sur le commutateur de relevage et d'abaissement situé sur le levier de commande de marche avant et arrière jusqu'à ce que la lame touche la surface à couper.



REMARQUE ! Pour éviter d'endommager la lame, cette dernière doit toucher doucement la surface. Utilisez le bouton de commande de vitesse d'abaissement pour ralentir la vitesse d'abaissement. Ne laissez jamais la lame supporter le poids avant de la machine, car vous endommagerez la lame.

COMMANDE

- Serrez fermement le boulon de l'arbre de lame à l'aide de la clé d'arbre de lame alors que la résistance entre la lame de diamant et le sol aide à atteindre le serrage approprié et final.
- Abaissez la partie avant du protège-lame et positionnez le loquet du protège-lame sur le boulon avant du protège-lame. Serrez le boulon avant du protège-lame.



ATTENTION ! N'utilisez pas cette scie sans que le loquet soit engagé et le boulon installé. N'utilisez pas la scie si elle est endommagée.

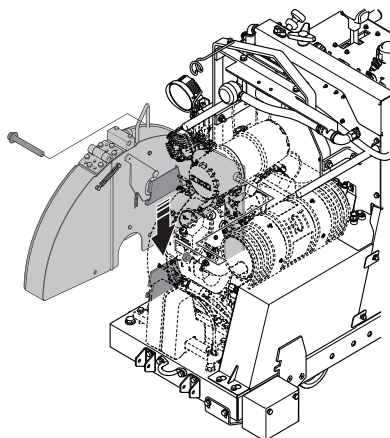
- Tester la machine et vérifier qu'aucun bruit inhabituel ne se fait entendre. Des bruits inhabituels sont le signe d'une lame mal montée.

Installation du protège-lame

Les protège-lames coulissants sont munis d'un dispositif de verrouillage de protège-lame qui enclenche la moitié arrière du protège-lame.

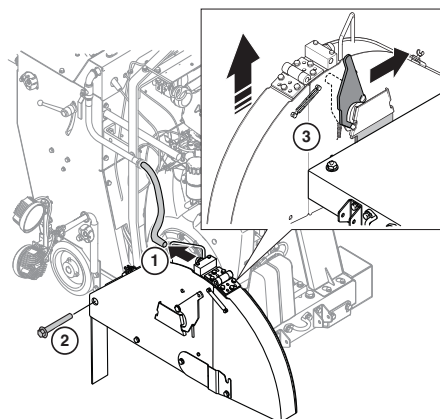
N'utilisez pas cette scie sans que le dispositif de verrouillage ne soit enclenché. Vérifiez fréquemment les protège-lames et les dispositifs de verrouillage. N'utilisez pas la scie si ces pièces sont endommagées.

Abaissez le protège-lame sur la bêche de support et utilisez une force modérée pour appuyer vers le bas sur le protège-lame jusqu'à ce que le dispositif de verrouillage s'enclenche.



Retrait du protège-lame

- 1 Débranchez le flexible d'eau du protège-lame.
- 2 Enlevez le boulon qui retient le protège-lame.
- 3 Déplacez le verrou du protège-lame vers l'avant jusqu'à ce qu'il s'arrête et se déverrouille. Levez le protège-lame au moyen de sa poignée pour qu'il dégage la bêche de support.



Profondeur de coupe

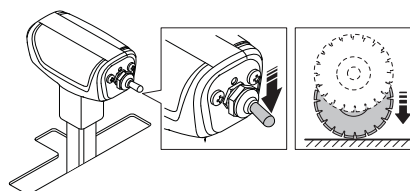
Cette scie est munie d'un indicateur de profondeur de lame qui indique la profondeur de coupe de la lame. Cette scie est également dotée d'une butée d'arrêt de la profondeur de coupe qui arrête la profondeur de coupe de la lame à une profondeur déterminée.

Pour obtenir de plus amples renseignements sur la profondeur maximale de coupe pour différentes tailles de lame, consultez la section « Lames ».

Utilisation de l'indicateur de profondeur de coupe

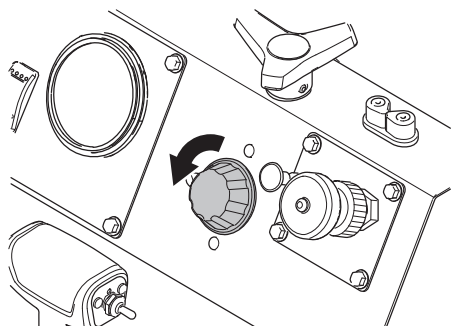
ATTENTION ! La profondeur de coupe doit correspondre aux spécifications particulières requises, car un sciage à une profondeur supérieure aux spécifications peut causer des problèmes de résistance structurelle.

- Si le moteur tourne, placez le commutateur de démarrage du moteur à la position OFF (arrêt) pour arrêter le moteur.
- Placez le commutateur de démarrage du moteur à la position ON (marche).
- Abaissez la scie en appuyant vers le bas sur le commutateur de relevage et d'abaissement situé sur le levier de commande de marche avant et arrière jusqu'à ce que la lame touche la surface à couper. Ceci sera le point de référence.



COMMANDE

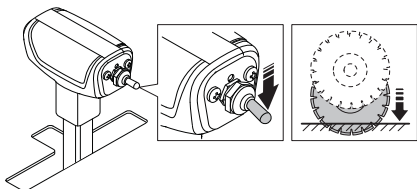
- Tournez le bouton de l'indicateur de profondeur à la position zéro. La profondeur de coupe sera maintenant indiquée sur l'indicateur de profondeur quand la lame est abaissée dans la surface de coupe.



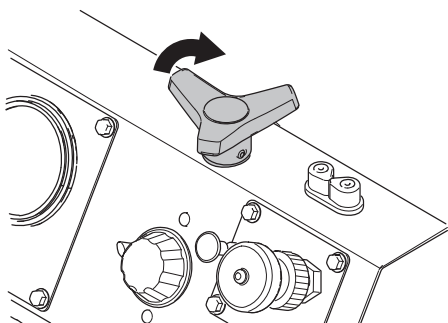
REMARQUE ! Pour éviter d'endommager la lame, cette dernière doit toucher doucement la surface. Utilisez le bouton de commande de vitesse d'abaissement pour ralentir la vitesse d'abaissement.

Utilisation de la butée de profondeur de coupe

- Abaissez la scie en appuyant vers le bas sur le commutateur de relevage et d'abaissement situé sur le levier de commande de marche avant et arrière jusqu'à ce que la lame atteigne la profondeur souhaitée (comme indiquée sur l'indicateur de profondeur de la lame).



- Réglez la butée de profondeur de la lame en tournant le bouton dans le sens horaire jusqu'à ce qu'il soit serré. La profondeur de coupe maximale est maintenant réglée. Si on retire la scie de la surface de coupe pour quelque raison que ce soit, on peut maintenant la remettre à cette profondeur précise en abaissant la lame dans la surface de coupe au moyen du commutateur de relevage et d'abaissement situé sur le levier de commande de vitesse.



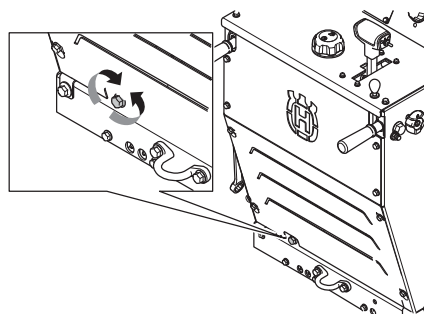
Sciage en ligne droite

Lors de la coupe, la lame crée une résistance à la force motrice provenant des roues arrière, ce qui cause l'orientation de la machine dans la même direction que la lame installée. Cet effet peut être amorti en réglant l'angle de l'essieu arrière à l'aide du réglage manuel de l'essieu.

Réglage d'essieu arrière

ATTENTION ! Commencez par desserrer les boulons de l'essieu arrière et de la console du moteur de roue.

- Pour régler l'essieu arrière, tournez le boulon de réglage situé dans la partie arrière gauche inférieure du cadre de scie à l'aide d'une clé de 18 mm.
- Si la scie se dirige vers la droite lors du sciage, tournez le boulon de réglage dans le sens inverse des aiguilles d'une montre.
- Si la scie se dirige vers la gauche lors du sciage, tournez le boulon de réglage dans le sens des aiguilles d'une montre.

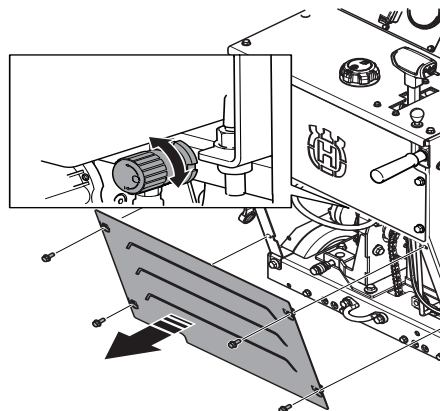


Système hydraulique

Le système hydraulique sur cette scie est utilisée pour élever / abaisser la lame de diamant et de propulser la scie avant ou arrière.

Le système hydraulique se compose d'une transmission hydrostatique, d'une pompe d'alimentation CC avec vanne de régulation de débit et d'un vérin de levage hydraulique.

- La vitesse d'abaissement de la scie peut être réglée à l'aide du régulateur de la vanne de régulation de débit. Si la scie tombe trop rapidement, tournez la molette située sur la vanne de régulation de débit dans le sens des aiguilles d'une montre jusqu'à ce que la vitesse d'abaissement soit satisfaisante.



COMMANDE

Transport et rangement

- Retirez la lame avant le transport ou l'entreposage de la machine pour éviter d'endommager la lame.
- Retirez tous les outils de réglage et les clés.
- Fermez la soupape d'arrêt de carburant.



AVERTISSEMENT! Retirez la lame de coupe avant de procéder au levage, au chargement, au déchargement ou au transport de la machine.

Transport



AVERTISSEMENT! Retirez toujours la lame de coupe avant de transporter la machine hors de la zone de coupe.

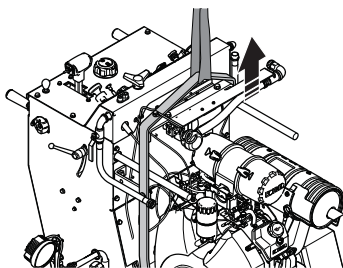


AVERTISSEMENT! Lorsque vous déplacez la scie sur des rampes ascendantes et descendantes et que le moteur est en marche, faites preuve d'une extrême prudence. Pour les rampes abruptes, veillez à toujours utiliser un treuil. Ne vous tenez jamais devant la machine. Tenez-vous seulement à côté de celle-ci.

- Pour descendre une rampe, déplacez lentement la scie vers l'arrière.
- Pour monter une rampe, déplacez lentement la scie vers l'avant.

Relevage de la scie

- Faites preuve de prudence en cas de levage. Le maniement de pièces lourdes implique un risque de coinçage ou autre blessure.
- Pour soulever la machine, toujours utiliser l'œilleton de levage dont elle est munie.



Transport de la scie par véhicule

- Sécurisez l'équipement lors du transport afin d'éviter tout dommage ou accident. Utilisez les crochets d'arrimage installés à l'usine sur la scie, à l'avant et à l'arrière, pour prévenir le déplacement pendant le transport.
- Ne remorquez pas cette scie avec un autre véhicule pour éviter d'endommager les organes de transmission.

Remisage

Stockez l'équipement dans un endroit verrouillé afin de le maintenir hors de portée des enfants et de toute personne incompétente.

- Arrêtez le moteur en tournant le commutateur de démarrage du moteur à la position STOP (arrêt).
- Placez le levier de commande de marche avant et arrière à la position d'arrêt ou neutre.

Pour le transport et le stockage du carburant et de la batterie, consultez les sections « Manutention du carburant » et « Manipulation de la batterie ».

Pour le transport et le rangement des lames, voir la rubrique « Lames ».

Entreposage à long terme

Avant de remiser la machine pour une période prolongée, veiller à ce qu'elle soit bien nettoyée et que toutes les mesures d'entretien aient été effectuées. Consultez le manuel d'utilisation du moteur pour obtenir de plus amples renseignements sur l'entreposage à long terme.

- Retirez la lame pour l'entreposage et rangez-la avec soin.
- Fermez la soupape d'arrêt de carburant et réinstallez le capot de protection arrière.
- Lubrifiez tous les raccords filetés avant l'entreposage.
 - Débranchez la borne négative et placez-la à une distance sécuritaire de la batterie.
 - Appliquez une charge lente à la batterie durant l'entreposage à long terme.
 - Lors des remisages de la machine, vider le réservoir de carburant. S'informer auprès d'une station-service comment se débarrasser du carburant résiduel.
 - Rangez la machine et ses équipements dans un endroit sec et à l'abri du gel.
 - Si la machine est entreposée à l'extérieur, couvrez la machine.
 - Vidangez l'huile moteur après un entreposage à long terme.

DÉMARRAGE ET ARRÊT

Avant le démarrage



AVERTISSEMENT! Lire attentivement et bien assimiler le manuel d'utilisation avant d'utiliser la machine.

Utiliser les équipements de protection personnelle. Voir au chapitre "Équipement de protection personnelle".

Veiller à ce qu'aucune personne non autorisée ne se trouve dans la zone de travail pour éviter le risque de blessures graves.

- Effectuez un entretien quotidien. Consultez les instructions dans la section « Entretien et réparation ».
- Contrôler que la lame n'est pas en contact avec quoi que ce soit quand la machine est démarrée

ATTENTION ! Lisez le manuel d'utilisation fourni par le fabricant du moteur.

Premier démarrage

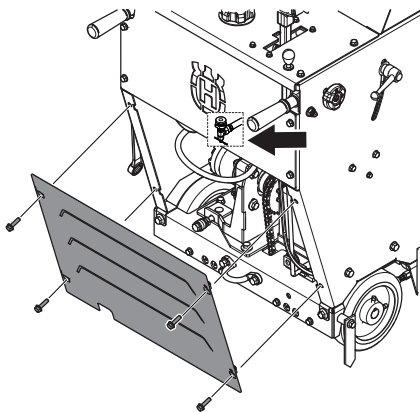
- Vérifiez le niveau d'huile moteur sans la lame et placez la scie en position horizontale pour un niveau plat de la scie
- Branchez les câbles de la batterie. La scie à lame plate est fournie sans câbles de batterie branchés.

Dans certains marchés, les batteries ne sont pas fournies pour des raisons de sécurité durant le transport. Installez une nouvelle batterie.

Pour de plus amples informations, consultez la rubrique « Caractéristiques techniques ».

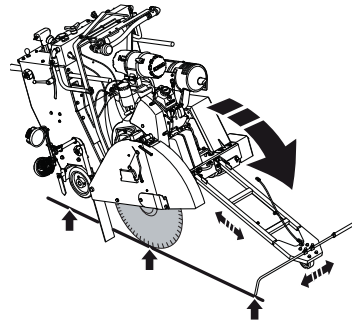
Cette machine est équipée d'une soupape d'arrêt de carburant. Pour démarrer la machine la première fois :

- Remplissez le réservoir de carburant.
- Retirez le capot de protection arrière et ouvrez la soupape d'arrêt de carburant.



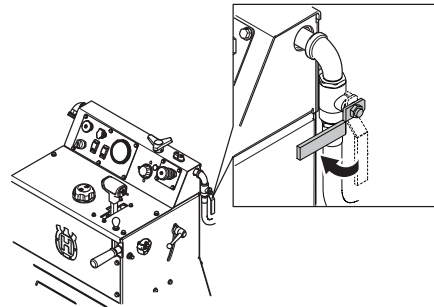
- Réinstallez le capot de protection arrière.

- Abaissez le guide avant et alignez le guide avant, le guide arrière et la lame de diamant avec la ligne sur la surface. Le guide avant est télescopique; réglez la longueur des vis à l'intérieur du guide avant.

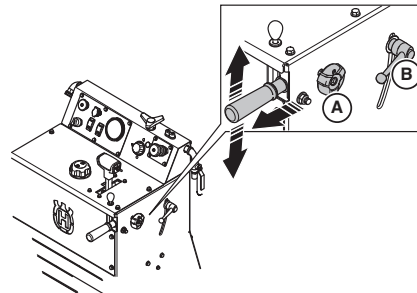


Démarrage

- Branchez la machine à l'alimentation en eau. Éteignez le robinet de prise d'eau.

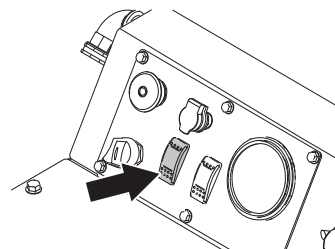


- Marquez la surface à couper en traçant une ligne à l'endroit où la coupe sera pratiquée.
- Tirez les poignées à la longueur et à la hauteur souhaitées, puis serrez les boutons.



Démarrer le moteur

- Pour démarrer la scie en l'absence de pression d'eau, réglez le commutateur de sécurité d'eau à la position OFF (désactivé).

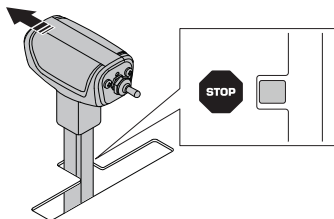


DÉMARRAGE ET ARRÊT

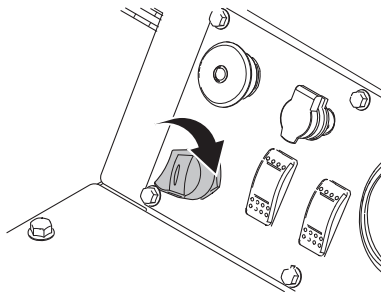
Système de sécurité d'eau

L'eau est utilisée pour prévenir la surchauffe de la lame tout en contrôlant la poussière causée par le sciage. Le système de sécurité d'eau contrôle la pression d'eau de la machine et interrompt le processus de sciage en cas de chute de pression.

- Régler le levier de commande de marche avant et arrière à la position d'arrêt ou neutre. Le moteur ne démarre pas si le levier n'est pas dans la position distincte d'arrêt ou neutre.



- Démarrer le moteur.



- Laissez le moteur se réchauffer pendant quelques minutes avec la commande des gaz à la vitesse de rotation à vide (minimum).

Ne chauffez pas la machine hors de la zone de coupe, lorsque la lame est montée sur la machine. Pour monter la lame, consultez les instructions dans la rubrique Montage de la lame.

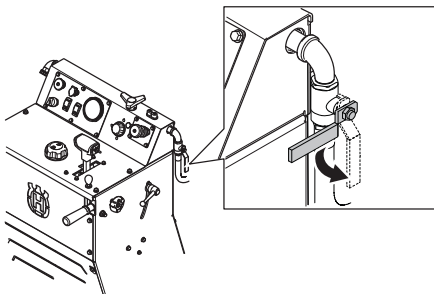
Commencer la découpe



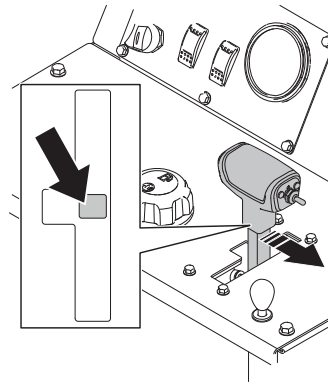
AVERTISSEMENT! Ne jamais utiliser des lames dont le régime indiqué est inférieur à celui de la découpeuse. Assurez-vous que la lame est correctement installée.

ATTENTION ! Consultez le tableau pour connaître les vitesses de rotation appropriées de l'arbre de lame et du moteur pour les tailles de lame spécifiques.

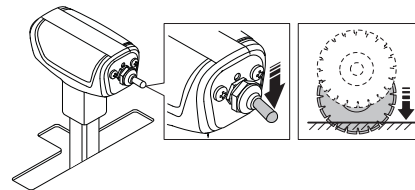
- Vérifiez l'alimentation en eau adéquate. Un débit faible d'eau entraînera des dommages aux lames de diamant. Activez le commutateur de sécurité d'eau situé sur le panneau de commande et ouvrez le robinet de prise d'eau.



- Enclenchez le levier de commande de marche avant et arrière.

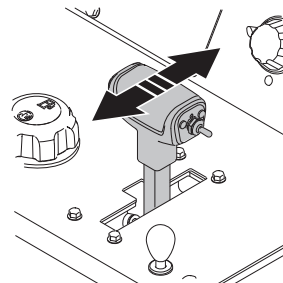


- Réglez la commande des gaz à la vitesse de rotation maximale du moteur.
- Abaissez la scie en appuyant sur le commutateur de relevage et d'abaissement situé sur le levier de commande de marche avant et arrière jusqu'à ce que la lame se trouve à la profondeur de coupe souhaitée. Pour obtenir de plus amples renseignements, consultez la section « Profondeur de coupe ».



REMARQUE ! Lors de l'abaissement de la lame dans une coupe partielle, alignez exactement la lame avec la coupe pour éviter d'endommager la lame.

- Déplacez lentement la scie vers l'avant en appuyant sur le levier de commande de marche avant et arrière. Écoutez le bruit du moteur. Si le moteur commence à ralentir, compensez cette situation en tirant le levier de commande de marche avant et arrière vers l'arrière pour diminuer l'alimentation et prévenir le calage de la lame. Assurez-vous que le guide avant, le guide arrière et la lame de diamant restent sur la ligne.



DÉMARRAGE ET ARRÊT

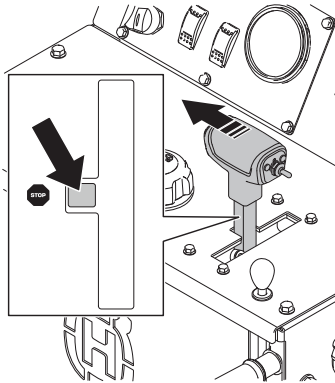
Arrêt



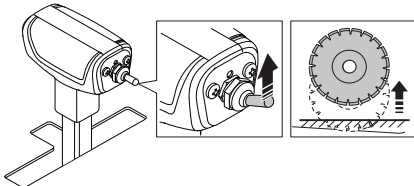
AVERTISSEMENT! Gardez toujours toutes les parties du corps éloignées de la lame et de toutes les autres pièces mobiles.

Arrêter la coupe.

- Placez le levier de commande de marche avant et arrière à la position d'arrêt ou neutre.

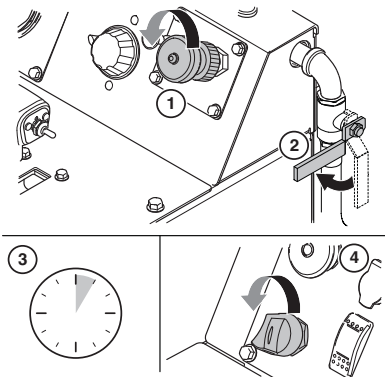


- Relevez la lame de diamant hors de la coupure en appuyant vers le haut sur le commutateur de relevage et d'abaissement situé sur le levier de commande jusqu'à ce que la lame de diamant ne touche plus aux surfaces.



Arrêt du moteur

- 1 Tournez la commande des gaz à la position de grand ralenti.
- 2 Fermez la valve d'eau.
- 3 Laissez le moteur fonctionner au ralenti pendant quelques minutes avant de le couper. Effectuez ces opérations dans la zone de coupe et ne laissez pas la machine sans surveillance.
- 4 Arrêtez le moteur en tournant le commutateur de démarrage du moteur à la position STOP (arrêt).



Généralités



AVERTISSEMENT! La plupart des accidents impliquant des machines se produisent lors de dépannages, de réparations ou de travaux d'entretien, lorsque qu'un membre du personnel doit pénétrer dans la zone de risque de la machine. Prévenez des accidents en étant attentif et en planifiant et préparant le travail.

Si les opérations de maintenance nécessitent que le moteur tourne, soyez conscient des risques que vous courez en travaillant avec ou près de pièces en mouvement.

Effectuez l'entretien et les réparations conformément à ce Manuel d'utilisation pour éviter des mises en arrêt et préserver la valeur de la machine.

Entretenez également les équipements et outils supplémentaires de la machine.

L'utilisateur ne peut effectuer que les travaux d'entretien et de révision décrits dans ce manuel d'utilisation. Les mesures plus importantes doivent être effectuées dans un atelier d'entretien agréé.

Utiliser uniquement des pièces de rechange d'origine pour réparer la machine.

Mesures à prendre en amont en cas d'entretien, de réparation ou de recherche de panne

Généralités

- Assurez-vous que la machine est située dans une zone sûre.
- Stationnez toujours la machine sur une surface plane, coupez le moteur et réglez le commutateur de démarrage du moteur à la position STOP (arrêt) avant le démarrage. Appuyez sur le bouton d'arrêt de la machine situé sur le panneau de commande.
- Plusieurs composants chauffent pendant le travail avec la machine. Ne commencez aucune opération de réparation ou d'entretien avant que la machine n'ait refroidi.
- Placez une signalisation claire pour informer les personnes se trouvant à proximité que des travaux de maintenance sont en cours.
- S'assurer que l'éclairage de la zone de travail est suffisant pour que l'environnement de travail soit de toute sécurité.
- Localisez les extincteurs, le matériel médical et le téléphone de secours.
- Retirez la lame de coupe avant de procéder à l'entretien, à la réparation ou au dépannage.

Équipement de protection

- Utiliser les équipements de protection personnelle. Voir au chapitre "Équipement de protection personnelle".

Environnement de travail

- Il ne doit pas y avoir de poussière dans la zone autour de la machine, afin d'éviter les risques de dérapage.

Nettoyage



REMARQUE ! Lors du nettoyage de la machine, vous risquez de recevoir par exemple de la poussière ou des substances nocives dans les yeux.

De la poussière et des substances nocives peuvent émaner de la machine en cas d'utilisation d'équipement à haute pression.

De l'eau ou de l'air envoyé par jet à haute pression peut rentrer sous la peau et causer des blessures très graves. N'orientez jamais un jet à haute pression vers la peau.

Après chaque utilisation, nettoyez la machine lorsqu'elle a refroidi.

Méthode de nettoyage

La méthode de nettoyage varie en fonction du type de contaminant et du degré de saleté de la machine. Il est possible d'utiliser un dégraissant doux. Évitez tout contact avec la peau. Utilisez des nettoyeurs à haute pression pour nettoyer la machine.

Nettoyage des composants

De nombreux composants doivent faire l'objet d'une attention particulière lors du nettoyage.

ATTENTION ! N'utilisez pas des nettoyeurs à haute pression pour nettoyer le panneau de commande.

Moteur

- Gardez une distance d'au moins 40 cm entre la buse et le moteur et ses composants. Ne pulvérisez pas excessivement sur le moteur pour éviter d'endommager les composants électriques, tels que les fiches électriques et l'alternateur. Ne pulvérisez pas d'eau directement dans le tuyau d'échappement ou dans le filtre à air du moteur.

Après le nettoyage

- Lubrifiez tous les points de lubrification de la machine.
- Séchez les terminaux électriques avec de l'air comprimé.
- Laissez sécher entièrement la machine avant le démarrage.
- Soyez attentif lors du démarrage de la machine après le nettoyage. Si des composants ont été endommagés en raison de l'humidité, les mouvements de la machine peuvent être défectueux.

ENTRETIEN ET RÉPARATION

Programme d'entretien

Le programme d'entretien se base sur la durée de fonctionnement de la machine. Il peut être nécessaire d'entretenir la machine plus fréquemment en cas d'utilisation dans des milieux poussiéreux ou chauds, et d'autant plus si le travail génère des températures élevées. Une description du déroulement des opérations est donnée dans le contrôle de service.

Pour connaître certaines exigences d'entretien, consultez les intervalles d'entretien dans le calendrier d'entretien ci-dessous et prenez note du prochain entretien. La machine effectuera un suivi des heures de fonctionnement, ce qui apparaîtra à l'écran.

- Stationnez toujours la machine sur une surface plane, coupez le moteur et réglez le commutateur de démarrage du moteur à la position STOP (arrêt) avant d'effectuer des travaux d'entretien. Appuyez sur le bouton d'arrêt de la machine situé sur le panneau de commande.

Veillez lire attentivement le manuel d'utilisation du moteur de votre machine et vous assurer de bien comprendre les instructions avant d'utiliser la machine. Le manuel d'utilisation du moteur contient certains intervalles d'entretien.

Entretien quotidien

Un entretien quotidien doit être effectué après un transport.

	Chaque jour	50 h	100 h	250 h	500 h	Une fois par an
Vérifier les fuites éventuelles d'essence et d'huile.	X					
Vérifier le niveau d'huile du moteur	X					
Vérifier si le protège-lame est endommagé.	X					
Vérifier si les flexibles et les colliers de serrage sont endommagés ou desserrés. Serrez les pièces ou remplacez-les au besoin.	X					
Vérifier l'indicateur de colmatage du filtre à air. Nettoyez le filtre à air extérieur si l'indicateur est rouge.	X					
Vérifier que toutes les protections sont en place et en bon état.	X					
Vérifier la pulvérisation d'eau sur la lame de diamant.	X					
Remplacez l'huile moteur et le filtre*.		X				
Lubrifiez les roues avant.		X				
Lubrifiez l'arbre de lame (deux pompes à chaque extrémité).		X				
Contrôlez l'usure de la courroie d'entraînement.		X				
Remplacez l'huile moteur et le filtre*.			X			
Lubrifiez les crapaudines de l'essieu avant.			X			
Vérifier si les roues sont usées ou endommagées.			X			
Vérifier si les roues arrière sont desserrées.			X			
Vérifier le flexible du filtre à air du moteur et les colliers de serrage.			X			
Vérifier le niveau de liquide du circuit hydraulique.			X			
Lubricate hydraulic cylinder pivot pin.				X		
Lubrifiez le coussinet d'essieu arrière.				X		
Remplacez le liquide du circuit hydraulique.					X	
Remplacez le filtre à carburant du moteur (de type à visser)					X	
Remplacez le filtre à air extérieur et intérieur.						X

* Une fois à 50 heures, puis toutes les 100 heures

ENTRETIEN ET RÉPARATION

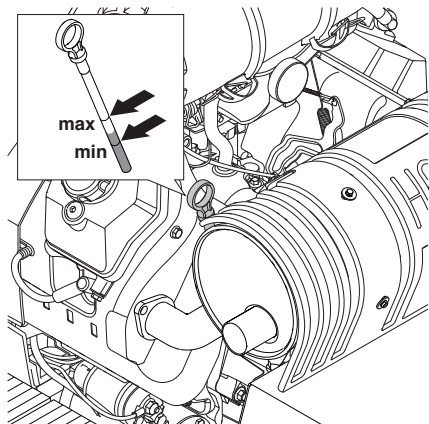
Entretien quotidien



AVERTISSEMENT! Tout contrôle et/ou entretien doit être effectué avec le moteur à l'arrêt.

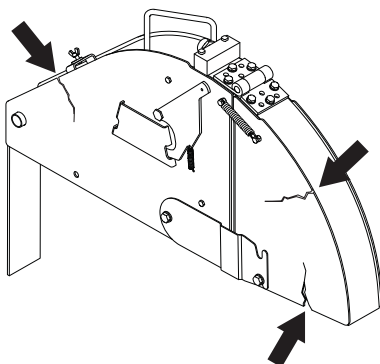
Vérifiez le niveau d'huile moteur sans la lame et placez la scie en position horizontale pour un niveau plat de la scie

- Vérifiez le niveau d'huile du moteur.
- Assurez-vous que le niveau se situe entre les repères.



Vérifiez si le protège-lame est endommagé.

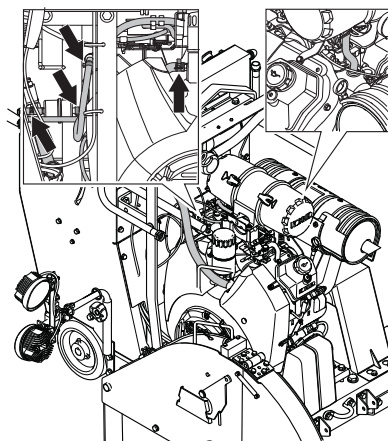
- Vérifiez si le protège-lame présente des fissures.



- N'utilisez jamais un protège-lame brisé ou endommagé.

Vérifiez si les flexibles et les colliers de serrage sont endommagés ou desserrés.

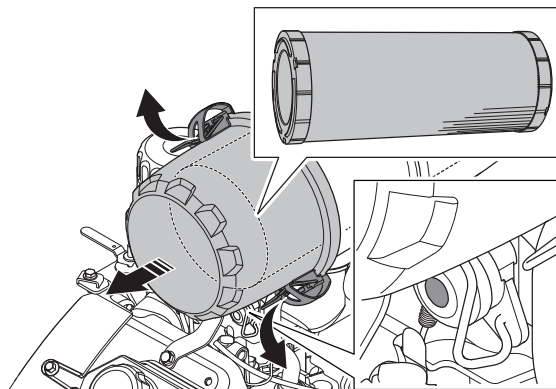
L'illustration montre seulement certains flexibles et colliers de serrage.



- Recherchez la présence de fuites au niveau des circuits de carburant et hydrauliques. Serrez les pièces ou remplacez-les au besoin.

Vérifiez l'indicateur de colmatage du filtre à air.

- Vérifiez et nettoyez le filtre à air extérieur si l'indicateur de colmatage du filtre à air est de couleur rouge. Retirez le couvercle arrière en ouvrant les 2 colliers de serrage du boîtier de filtre à air et en retirant le boîtier.



- Tout filtre endommagé doit être remplacé immédiatement.



REMARQUE ! De la poussière nocive peut se disperser lors du remplacement du filtre. Portez une protection respiratoire homologuée. Les filtres doivent être correctement mis au rebut.

Le filtre ne doit pas être nettoyé avec de l'air comprimé, cela risquerait d'endommager le filtre. Les filtres peuvent être aspirés à condition qu'aucun élément n'entre en contact avec leur surface pour éviter tout endommagement.

N'effectuez pas de nettoyage à haute pression pour éviter tout endommagement du filtre.

Le filtre nettoyé doit être parfaitement sec avant d'être reposé dans l'équipement.

ENTRETIEN ET RÉPARATION

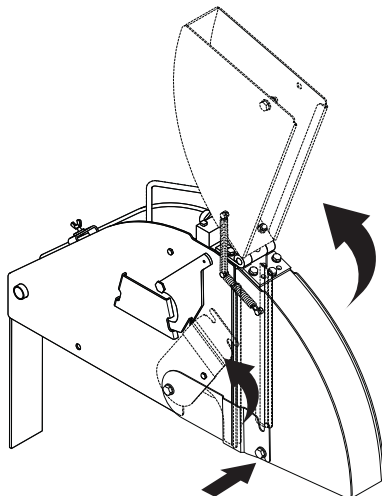
Couvercles de protection

- Assurez-vous que tous les couvercles de protection sont en place et en bon état.

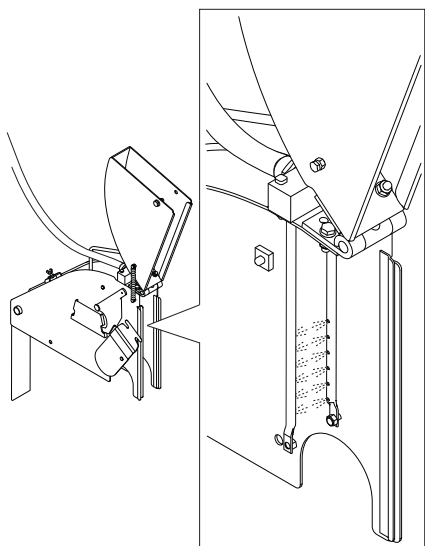
Pour obtenir de plus amples renseignements, consultez la section « Équipement de sécurité de la machine ».

Vérifiez la pulvérisation d'eau sur la lame de diamant.

- Relevez la partie avant du protège-lame et utilisez la goupille pour démontage rapide pour le verrouiller en position verticale.



- Ouvrez le robinet de prise d'eau sur le panneau de commande. Assurez-vous que les jets d'eau hors des orifices des tuyaux d'eau sont dirigés directement sur les deux côtés de la lame, sans qu'il n'y ait de fuites. Remplacez le tuyau d'eau s'il est endommagé.

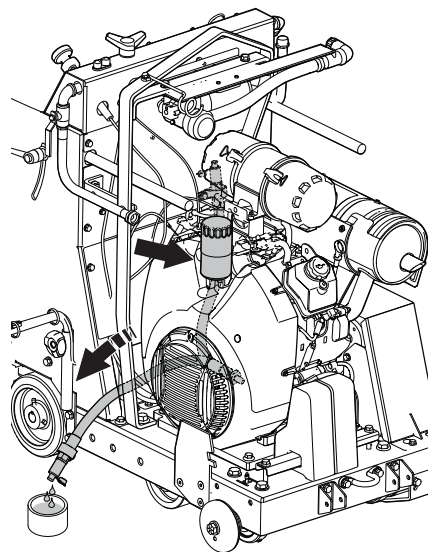


Après les 50 premières heures

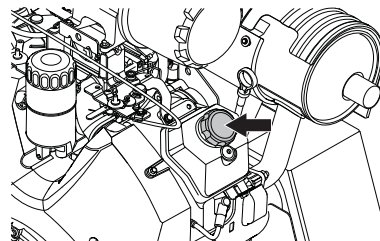
Remplacez l'huile moteur et le filtre.

- Retirez le capuchon supérieur du flexible. Ouvrez la soupape et pliez-la vers le bas pour vider le circuit. Retirez le filtre et remplacez-le.

Lubrifiez le joint d'étanchéité avec quelques gouttes d'huile avant de la réinstaller.



- Remplissez le circuit d'huile.



- Vérifiez le niveau de l'huile moteur. Consultez les instructions sous la rubrique « Entretien quotidien ».

50 heures de service

Réglage automatique de la tension de courroie d'entraînement de l'axe de lame

Cette machine est dotée d'un tendeur de courroie dynamique qui ne nécessite aucun réglage ni entretien.

La bonne tension est réglée sur la chaîne de montage. Cependant, si la courroie ou d'autres composantes doivent être remplacées, veuillez suivre les six étapes pour effectuer correctement la procédure.

Outils nécessaires

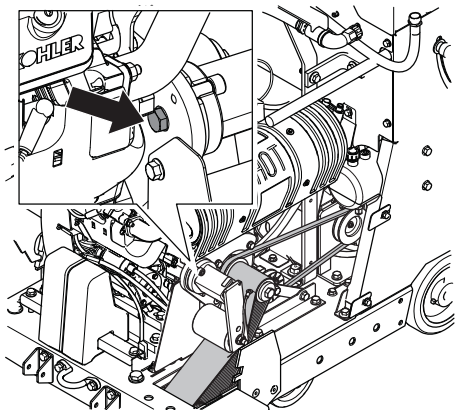
- Clé mixte de 13 mm (pas incluse avec la machine)
- Clé mixte de 19 mm (pas incluse avec la machine)
- Clé anglaise (pas incluse avec la machine)
- Clé à six pans, 8 mm (pas incluse avec la machine)

Pour détendre la courroie

- Au moyen de la clé mixte de 13 mm, desserrez les quatre boulons M8 qui retiennent le carter de la courroie. Retirez le carter de la courroie.
- Au moyen de la clé à six pans, enlevez les vis à six pans (vis de retenue).

ENTRETIEN ET RÉPARATION

- Au moyen de la clé mixte de 19 mm, desserrez un peu la vis qui fixe le tendeur à la plaque.



Pour régler la bonne tension

- Au moyen d'une clé anglaise, faites tourner la base du tendeur dans le sens antihoraire pour régler la bonne tension préalable. Quand l'angle du tendeur indique 25 degrés et que la fente à la base du tendeur est alignée avec le trou dans la plaque, serrez la vis de retenue au moyen de la clé mixte de 19 mm.
- Réinstallez la vis à six pans au moyen d'une clé à six pans.
- Réinstallez le carter de la courroie. Au moyen de la clé mixte de 13 mm, serrez les quatre boulons M8 qui retiennent le carter de la courroie.



REMARQUE ! Remplacez toujours les courroies Poly-V endommagées ou usées.

Lubrifiez l'arbre de lame (deux pompes à chaque extrémité).

Consultez les instructions sous la rubrique « Lubrification ».

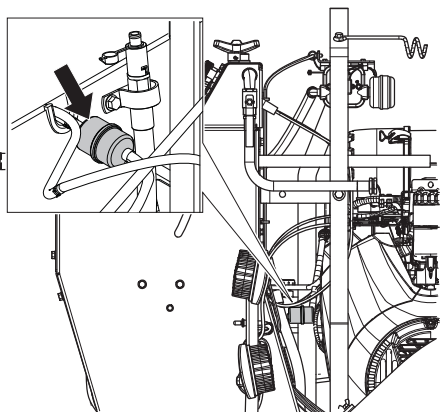
Lubrifiez les roues avant.

Consultez les instructions sous la rubrique « Lubrification ».

Entretien à 100 heures d'utilisation

Remplacez le filtre à carburant du moteur (de type intégré)

- Fermez la soupape d'arrêt du carburant sur le réservoir de carburant. Enlevez le filtre à carburant en le détachant de la conduite de carburant. Remplacez le filtre à carburant. Prenez garde aux fuites de carburant.



Remplacez l'huile moteur et le filtre.

Consultez les instructions sous la rubrique « Après les 50 premières heures ».

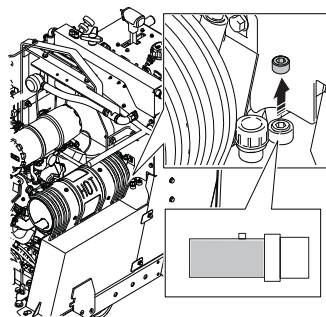
Vérifiez si les roues sont usées ou endommagées.

Vérifiez si les roues arrière sont desserrées.

Vérifiez le flexible du filtre à air du moteur et les colliers de serrage.

Vérifiez le niveau de liquide du circuit hydraulique.

- Assurez-vous que la machine est complètement abaissée.
- Retirez le bouchon dans l'ouverture de vérification du réservoir hydraulique. Le niveau doit se situer au bord inférieur de l'ouverture du réservoir hydraulique; remplissez au besoin.



ATTENTION ! Ne remplissez pas excessivement !

Lubrifiez les crapaudines de l'essieu avant.

Consultez les instructions sous la rubrique « Lubrification ».

250 heures de service

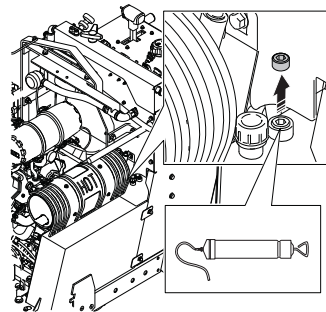
Lubrifiez le coussinet d'essieu arrière.

Consultez les instructions sous la rubrique « Lubrification ».

500 heures de service

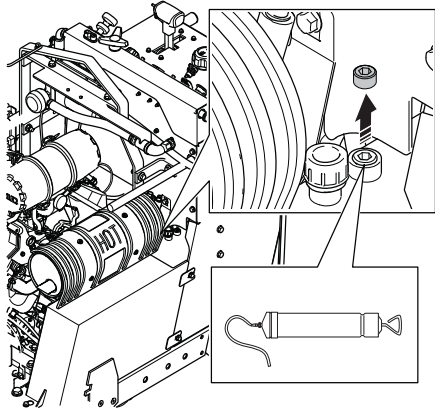
Remplacez le liquide du circuit hydraulique.

- Assurez-vous que la machine est complètement abaissée.
- Retirez le bouchon dans l'ouverture de vérification du réservoir hydraulique et utilisez un extracteur d'huile pour retirer le liquide hors de l'ouverture de vérification.



ENTRETIEN ET RÉPARATION

- Remplissez le réservoir d'huile neuve. Assurez-vous que la machine est complètement abaissée.

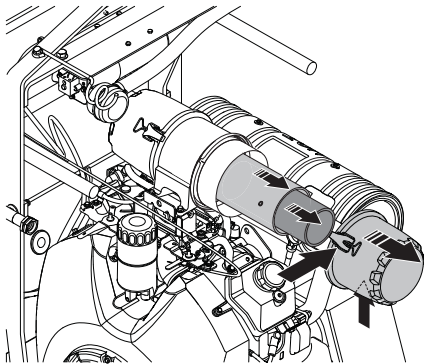


ATTENTION ! Ne remplissez pas excessivement !

Maintenance annuelle

Remplacez le filtre à air extérieur et intérieur.

Retirez le couvercle arrière en ouvrant les 2 colliers de serrage du boîtier de filtre à air et en retirant le boîtier. Remplacez les deux filtres et réinstallez-les dans l'ordre inverse.



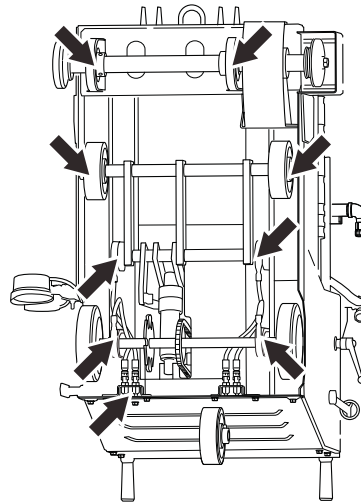
REMARQUE ! Les 2 colliers de serrage du boîtier de filtre à air ne peuvent pas être fermés à moins que le filtre à air extérieur soit correctement installé.

Graissage

L'illustration montre tous les points de lubrification (huit raccords de graissage). Nettoyez le graisseur. Remplacez les graisseurs cassés ou bloqués.

- Lubrifiez les roues avant.
- Lubrifiez les crapaudines de l'essieu avant.
- Lubrifiez l'arbre de lame. Two pumps at each end.
- Lubrifiez le coussinet d'essieu arrière.

Lubrifiez l'axe de lame sur la plaque de support.



Mise au rebut

Ce produit doit être déposé dans un site de recyclage approprié, conformément aux exigences locales. En veillant à ce que ce produit soit correctement éliminé, vous pouvez contribuer à prévenir les conséquences négatives potentielles sur l'environnement et les hommes, qui pourraient sinon être le résultat d'un traitement incorrect des déchets de ce produit. Pour des informations plus détaillées sur le recyclage de ce produit, contactez votre commune ou le magasin où vous avez acheté le produit.



RECHERCHE DE PANNES

Incidents durant le sciage

REMARQUE ! Si le moteur ou la lame s'arrête pour une raison quelconque, relevez complètement la lame de la coupure. Réglez le commutateur de démarrage du moteur à la position STOP (arrêt). Appuyez sur le bouton d'arrêt de la machine situé sur le panneau de commande. Inspectez à fond la machine avant de redémarrer le moteur.

- Confiez toutes les réparations à votre concessionnaire agréé uniquement

Problème	Cause	Action possible
Le moteur s'arrête pendant le sciage	Moteur à court de carburant.	Faites l'appoint en carburant
	Le manque d'eau est signalé au commutateur de sécurité d'eau pour arrêter le moteur	Désengagez le commutateur de sécurité d'eau et vérifiez l'alimentation en eau, puis redémarrez le moteur.
	Le bouton d'arrêt de la machine moteur a été pressé	Réinitialisez la fonction d'arrêt de la machine en tirant le bouton vers l'extérieur.
	Le moteur peut caler en cas de coupe trop rapide	Écoutez le bruit du moteur. Si le moteur commence à ralentir, compensez cette situation en tirant le levier de commande de marche avant et arrière vers l'arrière pour diminuer l'alimentation et prévenir le calage de la lame.
	Le fusible du disjoncteur est grillé	Inspectez et remplacez les fusibles
La lame de diamant s'arrête en cours de sciage	La tension de la courroie d'entraînement n'est pas adaptée	Il faut remplacer le tendeur ROSTA ou la courroie d'entraînement.
La scie s'abaisse trop vite	La soupape qui contrôle l'abaissement de la scie est trop ouverte.	La vitesse d'abaissement de la scie peut être réglée au moyen du bouton de commande de vitesse d'abaissement de la scie sur ou sous la pompe hydraulique. Si la scie s'abaisse trop rapidement, tournez le bouton dans le sens des aiguilles d'une montre jusqu'à ce que la vitesse d'abaissement soit satisfaisante.
La lame coupe trop lentement.	La lame est émoussée, ou la pression d'alimentation est trop élevée	Réduisez la profondeur de coupe et la vitesse de rotation du moteur pendant un court moment.

CARACTÉRISTIQUES TECHNIQUES

Batterie

	FS 3500 G
Type de terminal	SAE standard
Tension, V	12
CCA, A	475
Taille maximale (L x l x h), mm/po	242x175x175 / 9 9/16x6 7/8x6 7/8

Liquide hydraulique et lubrifiants

Fluide hydraulique

Qualité	Standard
SAE 10W-30	API Class SE
	API Class CC
	API class CD

Lubrifiants

Composant	Qualité	Standard	Capacité du réservoir à huile, pte/litres
Huile moteur	SAE 10W-30	Catégorie API SJ	2/1.9
Pompe hydrostatique	SAE 10W-30		0.19/0.18
Pompe d'appoint	SAE 10W-30		1.0/0.95
Points de lubrification (plaque du socle)*	NLGI 2	SAE J310	

* Consultez les instructions dans la section « Entretien et réparation ».

CARACTÉRISTIQUES TECHNIQUES

Caractéristiques techniques

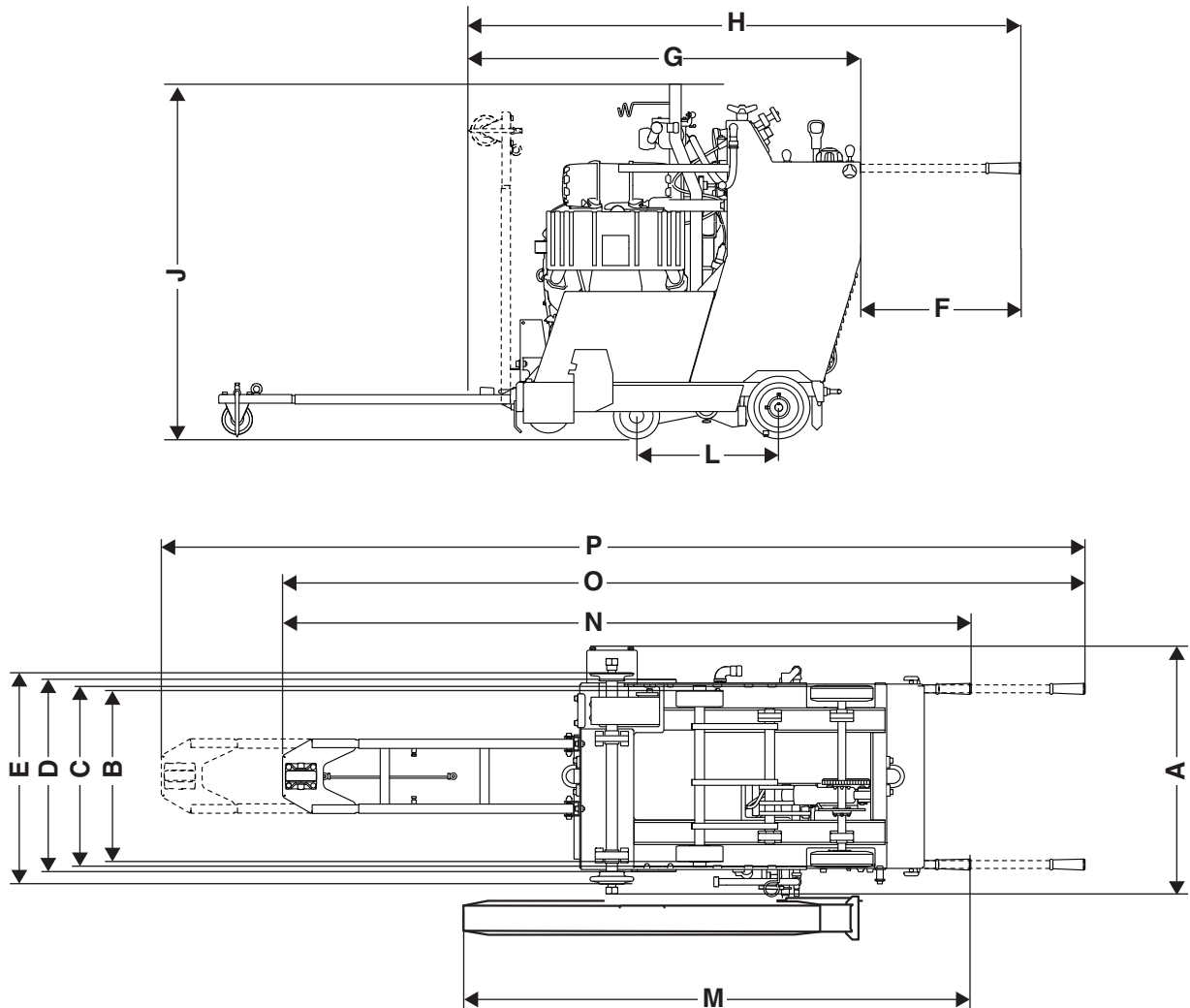
FS 3500 G

Caractéristiques de la scie	500/20	650/26	750/30
Capacité du protège-lame, po/mm	500/20	650/26	750/30
Profondeur de coupe maximale, po/mm	192/7.72	255/10.25	305/12.25
Vitesse de rotation de l'arbre de lame, tours par minute	2580	1860	1860
Sortie approximative de l'arbre de lame, HP/kW	29/21.6		
Taille de l'arbre, mm/pouce	25.4/1 avec goupille moletée à cartouche unique		
Ø de bride à déconnexion rapide de disque, mm/po	114.5/4.5	127/5	127/5
Diamètre de l'arbre de lame, po/mm	44.45 / 1-3/4		
Roulements de l'axe de lame, mm/po	Roulements à billes à semelle 44.45 / 1-3/4 po		
Entraînement de l'arbre de lame	Courroie Poly-V (25 rainures)		
Liquide de refroidissement de la lame	Tubes plaqués zinc de pulvérisation double d'eau à jets multiples		
Fixation de protège-lame	Coulissante et bascule automatique		
Commande des lames	Relevage de la lame au moyen d'une pompe électro-hydraulique; relevage et abaissement commandés par commutateur sur la poignée de commande de vitesse; butée de profondeur et indicateur de profondeur de coupe.		
Diamètre de l'axe, po/mm	Avant, 25.4/1 Arrière, 25.4/1		
Roues, pouces/mm	Avant, 152x51x25/6x2x1, sculptures épaisses en polyuréthane, roulements à billes étanches sans entretien. Arrière, 8x2x1/203x51x25, bandage plein		
Transmission	Pompe hydrostatique dotée d'un moteur de roues hydraulique connectée aux flexibles, transmission finale par chaîne, commutateur de démarrage au point mort, commande de vitesse unique.		
Vitesse d'avancement max.	Variable à l'infini : 0 à 51m/min / 0 à 167 pi/min en marche avant ou arrière. 25 m/min vitesse maximale en marche arrière sur les modèles CE		
Châssis	Machinerie lourde, rigide, construction en caisson et de section en U		
Poids (non emballé), lb/kg	409/902	413/911	416/917
Masse de service maximale, lb/kg	431/950	440/970	447/985

CARACTÉRISTIQUES TECHNIQUES

Dimensions de la scie

A	Largeur, po/mm		807 / 31 3/4	H	Longueur de la scie (pointeur relevé, poignées déployées), mm/po	1977 / 77 3/4
B	Largeur des roues d'axe en axe, po/mm	Avant	502 / 19 3/4	J	Hauteur totale min. (sans tuyau d'échappement, sans bouchon de prédépoussiéreur), mm/po	1152 / 45 3/8
		Arrière	540 / 21 1/4			
C	Largeur des roues d'extérieur à extérieur, po/mm	Avant	553 / 21 13/16	L	Empattement, mm/po	464 / 18 1/4
		Arrière	591 / 23 1/4	M	Distance de la protection à la poignée (poignées rétractées), mm/po	1549 / 61
D	Largeur du cadre, po/mm		606 / 23 7/8	N	Longueur totale max. (poignées rétractées), mm/po	2210 / 87
E	Largeur du flasque intérieur au flasque intérieur, po/mm		687/27-1/4	O	Longueur totale max. (poignées déployées, pointeur rabaisé), mm/po	2895 / 114
F	Rallonge de poignée, po/mm		809 / 31 7/8	P	Longueur totale max. (poignées déployées, pointeur déployé), mm/po	3378 / 133
G	Longueur min. de la scie (sans poignées, point de référence et protection), po/mm		1168 / 46			



CARACTÉRISTIQUES TECHNIQUES

Moteur FS 3500 G

Spécifications du moteur	Kohler CH1000
Puissance moteur max. (voir remarque 1)	37hp@3750rpm (27.5kW@3750rpm)
Volume, dm ³ / cu.in.	1.0/61
Cylinders	2
Course, po/mm	78.5/3.1
Volume du réservoir de carburant, gal/l	23.8/6.3
Filtre à air	Filtre à air Cyclon et indicateur de restriction
Démarrreur	Électrique

Pour obtenir de plus amples renseignements et pour toute question au sujet de ce moteur particulier, consultez le site www.kohlerengines.com.

Remarque 1 : Tel que spécifié par le fabricant du moteur. La puissance des moteurs indiquée est la puissance de sortie moyenne nette (aux tours par minute spécifiés) d'un moteur de production type pour le modèle de moteur, mesurée selon la norme ISO3046, SAE J1940/J1995. Les moteurs de production en série peuvent varier de cette valeur. La puissance de sortie réelle du moteur installé dans la machine finale dépend de la vitesse de fonctionnement, des conditions environnementales et d'autres variables.

Émissions sonores

	FS 3500 G
Émissions sonores (voir remarque 1)	
Niveau de puissance sonore mesuré dB(A)	107
Niveau de puissance sonore garanti L_{WA} dB(A)	110
Niveaux sonores (voir remarque 2)	
Niveau de pression acoustique au niveau des oreilles de l'utilisateur, dB(A)	95
Niveaux de vibrations, a_{HV} (voir remarque 3)	
Poignée droite, m/s^2	1.6
Poignée gauche, m/s^2	3.8

Remarque 1 : émission sonore dans l'environnement mesurée comme puissance acoustique (L_{WA}) selon la directive UE 2000/14/CE. Le niveau de puissance sonore garanti diffère du niveau mesuré en cela qu'il prend également en compte la dispersion et les variations d'une machine à l'autre du même modèle, conformément à la directive 2000/14/CE.

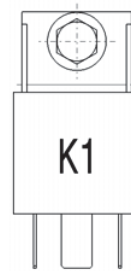
Remarque 2: Niveau de pression sonore conformément à EN 13862. Les données reportées pour le niveau de pression sonore montrent une dispersion statistique typique (déviat ion standard) de 4,0 dB (A).

Remarque 3: Niveau de vibrations conformément à EN 13862. Les données reportées pour le niveau de vibrations montrent une dispersion statistique typique (déviat ion standard) de 1 m/s^2 .

RELAIS ET FUSIBLES

Relais et fusibles – FS 3500 G

Fonctionnement		Désignation	Ampère
Circuit principal		-F1	20
Allumage		-F2	15
Système hydraulique		-F3	5
Solénoïde du carburateur du moteur		-F4	5
Instruments		-F5	2
Kit pompe à eau	(en option)	-F6	10
Kit d'éclairage	(en option)	-F7	10
Kit de prise de courant	(en option)	-F8	15
Relais principal		-K1	20
Relais de suppression		-K2	10
Relais de surveillance de l'huile		-K3	5



Assurance de conformité UE

Déclaration CE de conformité


(Concerne seulement l'Europe)

Husqvarna AB, SE-561 82 Huskvarna, Suède, tél. +46-36-146500, déclarons, sous notre seule responsabilité, que la scie de sol **Husqvarna FS 3500 G**, à partir des numéros de série de l'année de fabrication 2018 (l'année est clairement indiquée sur la plaque signalétique et suivie d'un numéro de série), est conforme aux dispositions des DIRECTIVES EUROPÉENNES :

- du 17 mai 2006 "directive machines" **2006/42/CE**.
- du 26 février 2014 "compatibilité électromagnétique" **2014/30/UE**.
- du 8 mai 2000 "émissions sonores dans l'environnement" **2000/14/CE**.

Les normes harmonisées suivantes ont été appliquées: **EN ISO 12100:2010, CISPR12:2007+Amd1:2009, EN55012:2008+A1:2009, EN13862+A1:2009, EN ISO 14982:2009, ISO 13766:2006**. RISE SMP Svensk Maskinprovning AB, Box 7035, SE-750 07 Uppsala, Suède, a procédé à des examens de type volontaire conformément à la directive machines (2006/42/CE), pour le compte de Husqvarna AB. Le certificat porte le numéro : **SEC/16/2457**

Partille, 1 janvier 2018



Joakim Ed

Directeur général R&D

Construction Equipment Husqvarna AB

(Représentant autorisé d'Husqvarna AB et responsable de la documentation technique.)

VERKLARING VAN DE SYMBOLEN

Symbolen op de machine:

Enkele van de onderstaande symbolen hebben betrekking op de CE-markt.

WAARSCHUWING! Wanneer de machine onjuist of slordig wordt gebruikt, kan het een gevaarlijk gereedschap zijn, dat ernstig letsel of overlijden van de gebruiker of anderen kan veroorzaken.



Neem de gebruiksaanwijzing grondig door en gebruik de machine niet voor u alles duidelijk heeft begrepen.



Draag altijd persoonlijke veiligheidsuitrusting. Zie instructies in het hoofdstuk "Persoonlijke veiligheidsuitrusting".



Alle bewegingen van de machine buiten het zaaggebied dienen te geschieden met niet-roterend zaagblad.



Verwijder het blad alvorens de machine te hijsen, laden, lossen en transporteren.



De pijl op de gereedschapsbescherming geeft de draairichting van het gereedschap aan.



De beschermkappen moeten altijd op de machine zijn gemonteerd. Zorg er altijd voor dat het zaagblad niet meer dan 180° buiten de beschermkap uitsteekt.



Controleer de snijuitrusting. Gebruik nooit botte, gebarsten of beschadigde uitrusting.



De slijpschijven dienen gemerkt te zijn met hetzelfde of een hoger toerental dan op het typeplaatje van de machine staat. Een zaagblad met een te hoge snelheid kan breken of ernstig letsel veroorzaken.



Gebruik de machine niet in de buurt van ontvlambare stoffen of gassen.



WAARSCHUWING! Bij het zagen treedt stofvorming op, die schadelijk kan zijn bij inademing. Gebruik een goedgekeurd stofmasker. Probeer geen benzinedampen en uitlaatgassen in te ademen. Zorg voor goede ventilatie.



Warm oppervlak.



Machinegevaar! Houd alle lichaamsdelen altijd buiten het bereik van het zaagblad en van alle andere bewegende onderdelen.



Let op, snijgevaar



Regeling van de watertoevoer



Zaagblad omlaag brengen



Schakelaar voor omlaag en omhoog verplaatsen van het zaagblad



Ontsteking aan



Motor start



Motor stopt



Noodstopknop van de machine

STOP



Transmissie stop



Brandstof bijvullen Alleen loodvrije benzine



Chokehendel



Motorolie



Peilstok, houd het motorolieniveau op het juiste peil



Breng de zaag niet omhoog tijdens het controleren van het motoroliepeil.



VERKLARING VAN DE SYMBOLEN

Handrem

Geactiveerd/gedeactiveerd



Houd de zaag horizontaal, zonder zaagblad, bij het controleren van het oliepeil.



Maak bij het optillen van de machine altijd gebruik van het aanwezige hijs oog.



Dit product voldoet aan de geldende CE-richtlijnen. Indien op de machine aangegeven.



Geluidsemissie naar de omgeving volgens de richtlijnen van de Europese Gemeenschap. De emissie van de machine wordt aangegeven in het hoofdstuk Technische gegevens en op plaatjes.



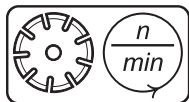
Gewicht



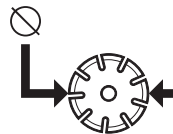
Nominaal uitgangsvermogen motor, kW



Max. bladsnelheid, tpm



Diameter zaagblad, mm



Typeplaatje

A: Fabrikaat

B: Fabrikant, adres

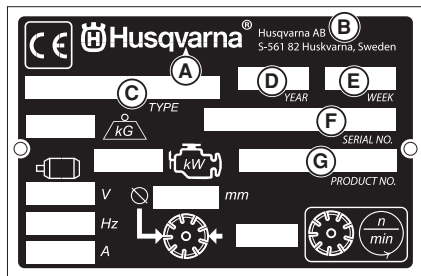
C: Type

D, E: Productiedatum, jaar, week

F:

Serienummer

G: Productnummer



Overige op de machine aangegeven symbolen/plaatjes verwijzen naar specifieke eisen aan certificering op bepaalde markten.

Toelichting op de waarschuwningsniveaus

De waarschuwingen zijn onderverdeeld in drie niveaus.

WAARSCHUWING!



WAARSCHUWING! Wordt gebruikt indien er een risico bestaat op ernstig of fataal letsel voor de gebruiker of schade aan de omgeving wanneer de instructies in de handleiding niet worden gevolgd.

VOORZICHTIG!



VOORZICHTIG! Wordt gebruikt indien er een risico bestaat op letsel voor de gebruiker of schade aan de omgeving wanneer de instructies in de handleiding niet worden gevolgd.

LET OP!

LET OP! Wordt gebruikt indien er een risico bestaat op schade aan materialen of de machine wanneer de instructies in de handleiding niet worden gevolgd.

INHOUD

Inhoud

VERKLARING VAN DE SYMBOLEN

Symbolen op de machine:	74
Toelichting op de waarschuwingsniveaus	75

INHOUD

Inhoud	76
--------------	----

PRESENTATIE

Beste klant!	77
Ontwerp en eigenschappen	77
FS 3500 G	77
Wat is wat op de vloerzaag – FS 3500 G	78
Wat is wat op het bedieningspaneel?	80

VEILIGHEIDSUITRUSTING VOOR DE MACHINE

Algemeen	81
----------------	----

SLIJPSCHIJVEN

Algemeen	83
Diamantzagen	83
Transport en opbergen	83

BRANDSTOFHANTERING

Algemeen	84
Brandstof	84
Tanken	84
Transport en opbergen	84

DE ACCU GEBRUIKEN

Algemeen	85
De accu aansluiten	85
De accu loskoppelen	85
Starten van een motor met een zwakke accu	85

BEDIENING

Veiligheidsuitrusting	86
Algemene veiligheidsinstructies	86
Service	86
Basistechniek	87
Positie van de handgrepen	87
De machine verplaatsen	88
Zaagblad monteren	89
Zaagdiepte	91
Recht zagen	92
Hydraulisch systeem	92
Transport en opbergen	92
Opslag voor lange tijd	93

STARTEN EN STOPPEN

Voor de start	94
De eerste keer starten	94
Starten	94
Stoppen	96

ONDERHOUD EN SERVICE

Algemeen	97
Maatregelen die genomen dienen te worden vóór het uitvoeren van onderhoud, service en probleemoplossing	97
Schoonmaken	97
Serviceschema	98
Afvoeren, sloopmateriaal	102

OPSPOREN VAN STORINGEN

Mogelijke voorvallen tijdens het zagen	103
--	-----

TECHNISCHE GEGEVENS

Accu	104
Hydraulische vloeistof en smeermiddelen	104
Technische gegevens	105
Lawaaï-emissie	107

RELAIS EN ZEKERINGEN

Relais en zekeringen – FS 3500 G	108
--	-----

EG-VERKLARING VAN OVEREENSTEMMING

EG-verklaring van overeenstemming	109
---	-----

Beste klant!

Hartelijk dank dat u voor een Husqvarna-product hebt gekozen!

Wij hopen dat u tevreden zult zijn met uw machine en dat deze u gedurende lange tijd zal vergezellen. Met de aankoop van een van onze producten krijgt u de beschikking over professionele hulp voor reparaties en service. Als u uw machine niet hebt gekocht bij één van onze erkende dealers, vraag hen dan waar de dichtstbijzijnde erkende werkplaats is.

Deze gebruiksaanwijzing is een waardevol document. Zorg dat u hem altijd bij de hand hebt op de werkplek. Door de inhoud (gebruik, service, onderhoud enz.) te volgen kunt u de levensduur van uw machine én de tweedehands waarde aanzienlijk verlengen. Mocht u uw machine verkopen moet u ervoor zorgen de gebruiksaanwijzing aan de nieuwe eigenaar over te dragen.

Meer dan 300 jaar innovatie

Husqvarna AB is een Zweeds bedrijf met een geschiedenis die teruggaat tot 1689, toen de Zweedse koning Karl XI een fabriek liet bouwen voor de productie van musketten. Op dat moment was de basis al gelegd voor de constructievaardigheden die ten grondslag liggen aan de ontwikkeling van een aantal producten die wereldwijd toonaangevend zijn, zoals jachtwapens, fietsen, motorfietsen, huishoudelijke apparatuur, naaimachines en buitenproducten.

Husqvarna is wereldleider op het gebied van elektrische buitenproducten voor bosbouw, park-, gazon- en tuinonderhoud, alsmede zaagapparatuur en diamantgereedschap voor de bouw- en steenindustrie.

Verantwoordelijkheid van eigenaar

Het is de verantwoordelijkheid van de eigenaar/gebruiker om ervoor te zorgen dat de gebruiker voldoende weet over een veilig gebruik van de machine. Leidinggevend en gebruikers moeten de gebruiksaanwijzing hebben gelezen en begrepen. Ze moeten op de hoogte zijn van:

- De veiligheidsinstructies voor de machine.
- De mogelijke toepassingen en de beperkingen van de machine.
- De manier waarop de machine moet worden gebruikt en onderhouden.

Mogelijk zijn er nationale wettelijke voorschriften van toepassing op het gebruik van deze machine. Onderzoek welke wetgeving van toepassing is op de plaats waar u werkt voordat u de machine in gebruik neemt.

Specifieke bepalingen van de fabrikant.

Na publicatie van deze gebruiksaanwijzing verstrekt Husqvarna mogelijk aanvullende informatie voor veilig gebruik van dit product. Het is de verantwoordelijkheid van de eigenaar om op de hoogte blijven van de veiligste gebruiksmethoden.

Husqvarna AB werkt voortdurend aan het verder ontwikkelen van haar producten en houdt zich dan ook het recht voor om zonder aankondiging vooraf wijzigingen in o.a. vorm en uiterlijk door te voeren.

Raadpleeg voor klanteninformatie en hulp onze website: www.husqvarna.com of bel ons op het nummer 1-800-845-1312.

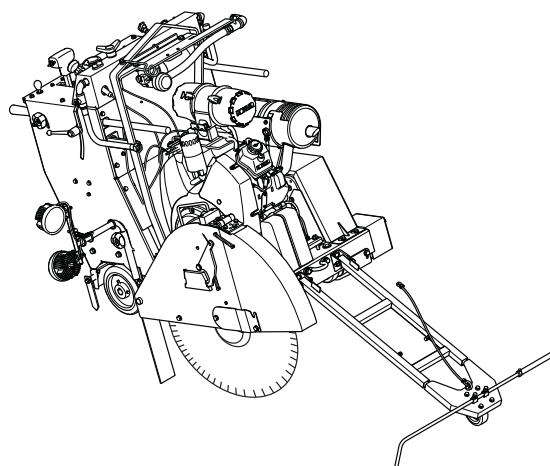
Ontwerp en eigenschappen

Deze door een geleider bediende vloerzagen zijn bestemd voor gebruik in combinatie met diamantzaagbladen uitsluitend voor natzagen. Ze zijn bedoeld voor het zagen van nieuw en uitgehard beton in verschillende hardheidsklassen en asfalt.

De producten van Husqvarna onderscheiden zich door waarden zoals hoge prestaties, betrouwbaarheid, innovatieve technologie, geavanceerde technische oplossingen en milieuoverwegingen. Voor een veilig gebruik van dit product dient de gebruiker deze gebruiksaanwijzing grondig te lezen. Neem contact op met uw dealer of Husqvarna wanneer u meer informatie nodig hebt.

Hieronder worden enkele unieke kenmerken van uw product beschreven.

FS 3500 G



Zaag

Deze is robuust, flexibel en gebruiks- en onderhoudsvriendelijk.

Motor

Gebruiksvriendelijke en krachtige luchtgekoelde benzinemotor met elektrische startinrichting.

Krachtoverbrenging

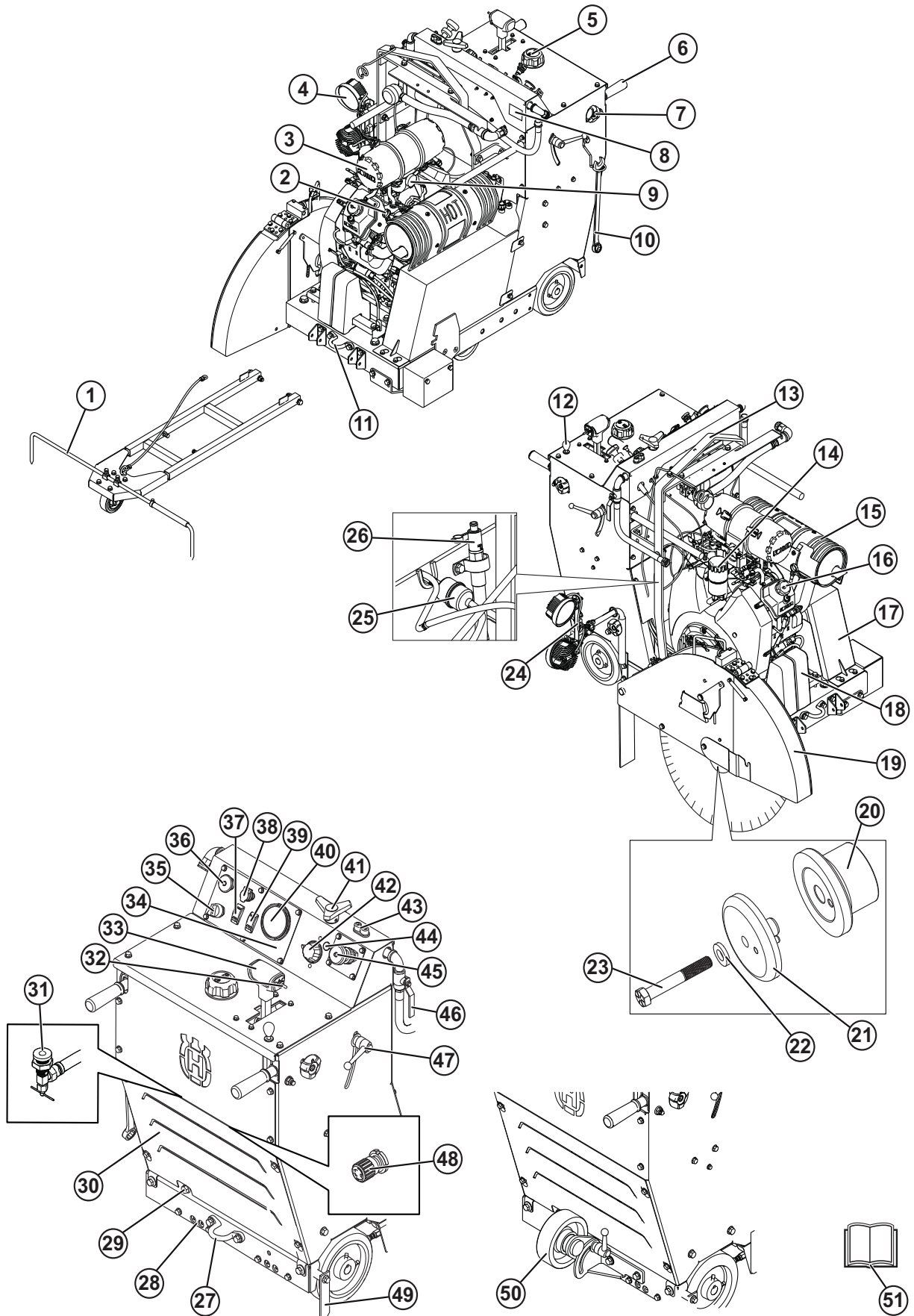
Duurzame en efficiënte krachtoverbrenging met dynamische riemspanning voor een soepele vermogenoverdracht en een langere levensduur van de riem.

Frontgeleider

De voorgeleiding is telescopisch verstelbaar, wat een goed zicht biedt en de opslag van de machine vereenvoudigt

PRESENTATIE

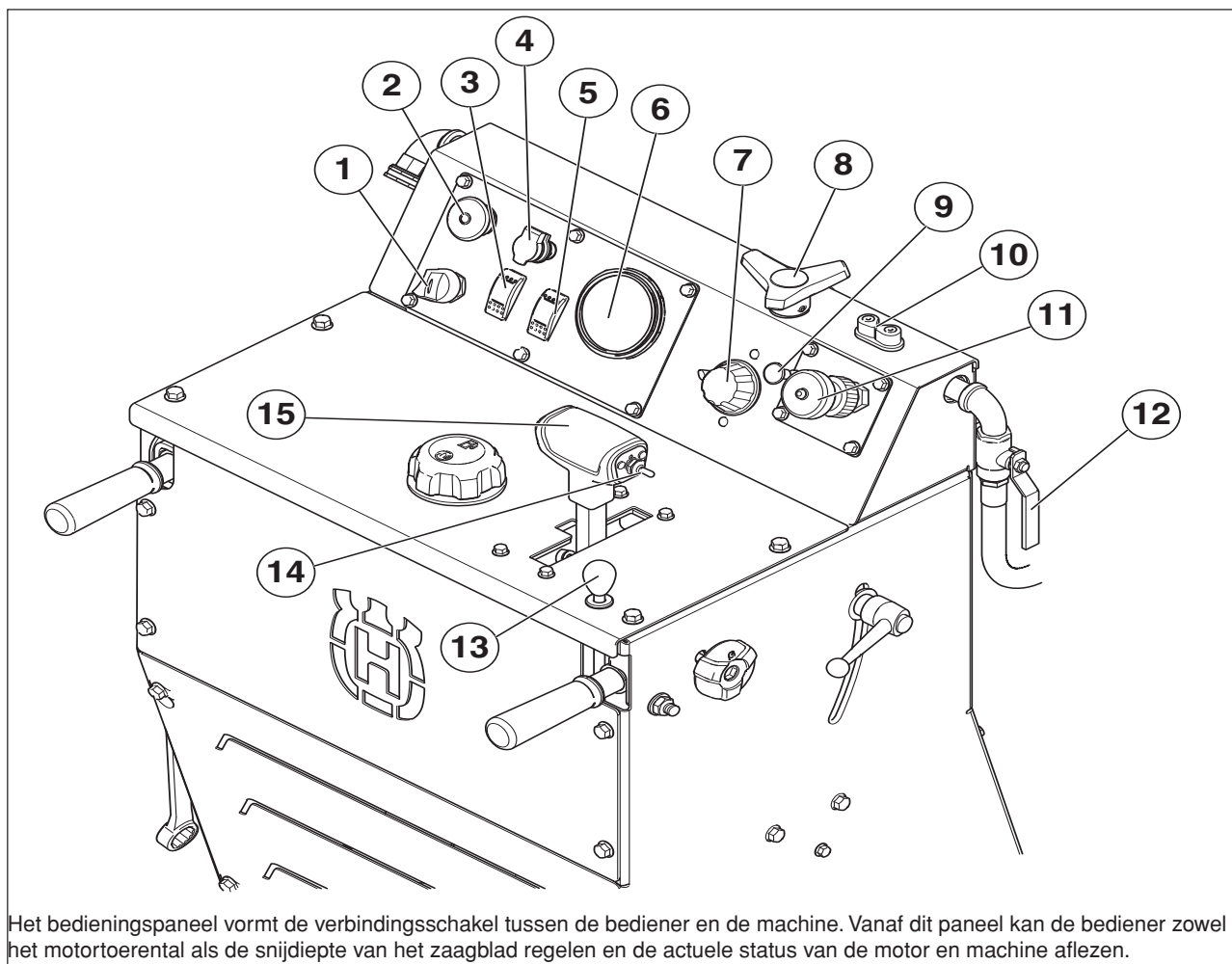
Wat is wat op de vloerzaag – FS 3500 G



PRESENTATIE

- 1 Frontgeleider
- 2 Controle motorolieniveau (peilstok)
- 3 LuchtfILTER
- 4 Werklampen (accessoire)
- 5 Vulopening van brandstoftank
- 6 Handgreep
- 7 Vergrendelknop voor lengteverstelling van de handgrepen.
- 8 Typeplaatje
- 9 Filterindicator
- 10 Bladassleutel
- 11 Vastzetbeugel vóór
- 12 Parkeerremhendel (accessoire)
- 13 Hefoog
- 14 Motoroliefilter
- 15 Geluiddemper
- 16 Olie bijvullen
- 17 Aandrijfriemkap
- 18 Gewichten (accessoire)
- 19 Bladbeschermkappen
- 20 Binnenste bladflens.
- 21 Buitenste schijfflens
- 22 Flensring
- 23 Bout van bladas
- 24 Schakelaar voor verlichting
- 25 Motorbrandstoffilter
- 26 Olieaftapslang
- 27 Vastzetbeugel achter
- 28 Gemakkelijk toegankelijke smering (accessoire)
- 29 Achterasverstelling
- 30 Achterste beschermkap
- 31 Brandstofafsluitklep
- 32 Schakelaar voor omhoog/omlaag bewegen van blad
- 33 Bedieningshendel vooruit/achteruit
- 34 Relais- en zekeringkast
- 35 Motorstartschakelaar
- 36 Noodstopknop van de machine
- 37 Waterveiligheidsschakelaar (accessoire)
- 38 Stopcontact 12V (accessoire)
- 39 Waterpompschakelaar
- 40 Toerenteller/urenteller van de motor
- 41 Zaagdiepte-insteltoets
- 42 Zaagdiepte-indicator
- 43 Railklem
- 44 Chokehendel
- 45 Gasregelknop van de motor
- 46 Waterklep
- 47 Vergrendelknop voor hoogteverstelling van de handgrepen
- 48 Regelventiel
- 49 Pointer achter - rechts
- 50 Transportwiel
- 51 Gebruiksaanwijzing

PRESENTATIE



Het bedieningspaneel vormt de verbindingsschakel tussen de bediener en de machine. Vanaf dit paneel kan de bediener zowel het motortoerental als de snijdiepte van het zaagblad regelen en de actuele status van de motor en machine aflezen.

Wat is wat op het bedieningspaneel?

- | | |
|---|---|
| 1 Motorstartschakelaar | 8 Zaagdiepte-insteltoets |
| 2 Noodstopknop van de machine | 9 Chokehendel |
| 3 Waterveiligheidsschakelaar (accessoire) | 10 Railklem |
| 4 Stopcontact 12V (accessoire) | 11 Gasregelknop van de motor |
| 5 Waterpompschakelaar (accessoire) | 12 Waterklep |
| 6 Toerenteller/urenteller van de motor | 13 Parkeerremhendel (accessoire) |
| 7 Zaagdiepte-indicator | 14 Schakelaar voor omhoog/omlaag verplaatsen van het zaagblad |
| | 15 Bedieningshendel vooruit/achteruit |

VEILIGHEIDSUITRUSTING VOOR DE MACHINE

Algemeen



WAARSCHUWING! Gebruik nooit een machine als de veiligheidsonderdelen kapot zijn. Als uw machine niet door alle controles komt, moet u ermee naar uw servicewerkplaats voor reparatie. De motor moet uitgeschakeld zijn, en de motorstartschakelaar moet op STOP staan.

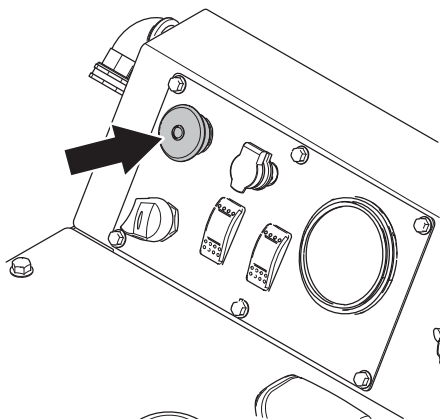


WAARSCHUWING! De bladas draait wanneer de machine wordt getornd of gestart.

In dit hoofdstuk wordt verklaard wat de veiligheidsonderdelen van de machine zijn, welke functie ze hebben en hoe de controle en het onderhoud moeten uitgevoerd worden om hun goede werking veilig te stellen.

Noodstopknop van de machine

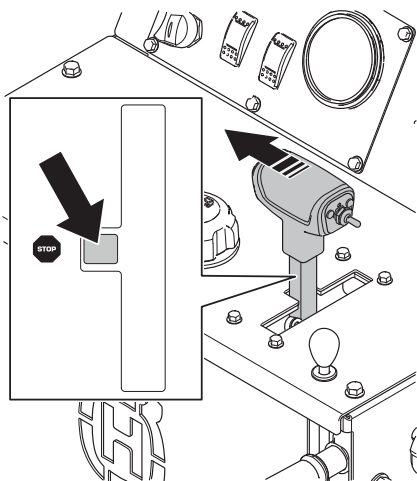
De machinestopknop dient om de motor en alle elektrische functies, met uitzondering van de verlichting, snel uit te schakelen.



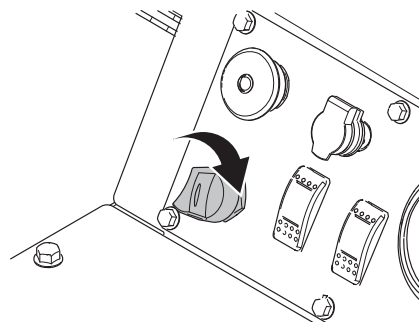
LET OP! Gebruik deze noodstopknop niet voor een gewone machinestop.

De machinenoodstopknop testen

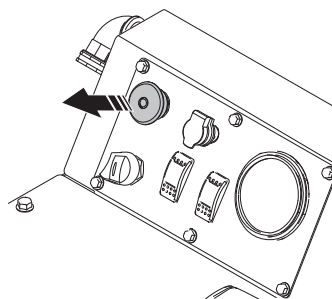
Zet de bedieningshendel vooruit/achteruit in de STOP-stand. De motor kan alleen worden gestart wanneer de hendel in de vereiste STOP-stand staat.



- Start de motor en zet de motorstartschakelaar in de stand Ontsteking aan. Volg de procedure in de handleiding van de motor.



- Druk op de machinenoodstopknop en controleer of de motor stopt. Hierdoor wordt de motor in de veilige modus gebracht.
- Reset de stopknop door deze omhoog te trekken.



Schijfbeschermer



WAARSCHUWING! Controleer altijd of de zaagbeschermer juist is aangebracht voor u de machine start.

Deze beschermkap is boven het zaagblad gemonteerd en zo geconstrueerd dat wordt verhindert dat delen van het zaagblad of het doorgezaagde materiaal naar de gebruiker worden geslingerd.

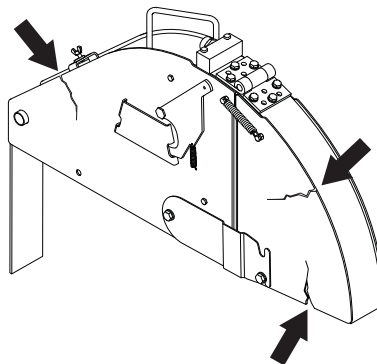
Dit beschermt tevens de bediener tegen het zaagblad en koelt het zaagblad met water tijdens het natzagen.

De bladbeschermkap controleren



WAARSCHUWING! Controleer altijd of de beschermkap juist is aangebracht voor u de machine start. Controleer ook of het zaagblad juist is gemonteerd en onbeschadigd is. Een beschadigd zaagblad kan persoonlijk letsel veroorzaken.

- Controleer de bladbeschermkap op beschadigingen en barsten. Vervang de bladbeschermkap indien deze terugslag te verduren heeft gehad of barsten vertoont.



VEILIGHEIDSUITRUSTING VOOR DE MACHINE

Beschermkappen en afschermingen

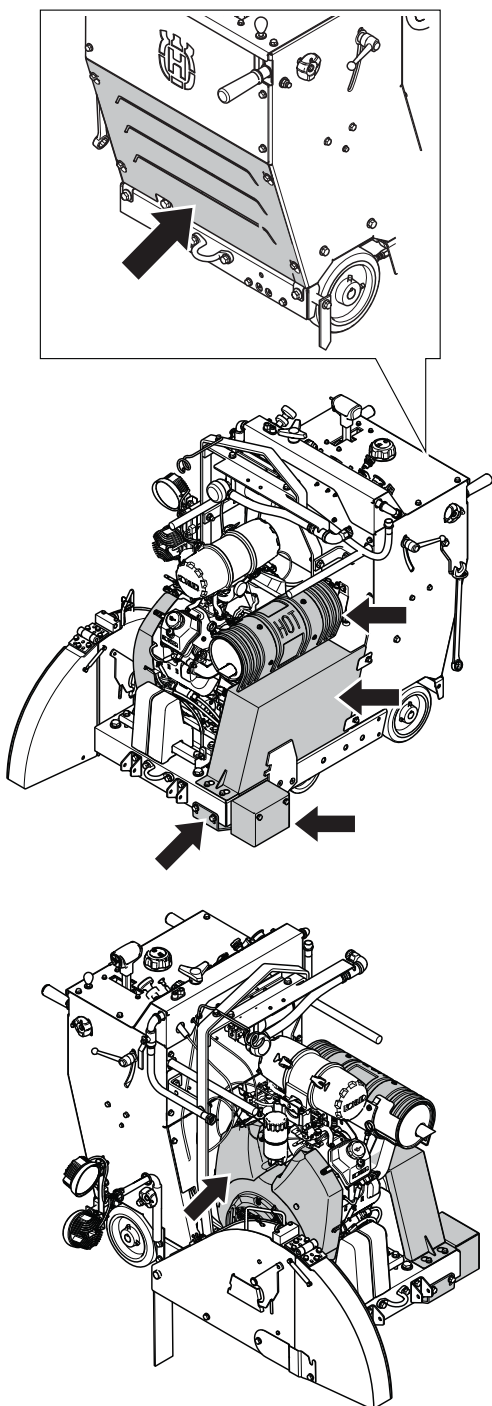


WAARSCHUWING! Controleer altijd of de beschermkappen correct zijn gemonteerd voordat u de machine start.

De beschermkappen op de machine beschermen de bediener tegen de koelventilator, aandrijfriemen en hete oppervlakken.

De beschermkappen controleren

- Controleer de beschermkappen op scheurtjes of andere beschadigingen. Vervang beschadigde beschermkappen.



Geluiddemper



WAARSCHUWING! Gebruik de machine nooit zonder geluiddemper of met een defecte geluiddemper. Door een kapotte geluiddemper kunnen het geluidsniveau en het risico van brand aanzienlijk toenemen. Hou gereedschap voor brandblussen bij de hand.

De geluiddemper wordt zeer heet, zowel tijdens het gebruik als na het stoppen. Dit geldt ook bij stationair draaien. Wees oplettend op brandgevaar, vooral bij hantering vlakbij brandgevaarlijke stoffen en/of gassen.

De geluiddemper werd ontworpen om het geluidsniveau zo laag mogelijk te houden, en om de uitlaatgassen weg te richten van de gebruiker.

Controle van geluiddemper

- Controleer regelmatig of de geluiddemper heel is en of deze goed vast zit.

Algemeen



WAARSCHUWING! Een zaagblad kan kapot gaan en ernstig persoonlijk letsel bij de gebruiker veroorzaken.

De fabrikant van het zaagblad verstrekt waarschuwingen en doet aanbevelingen voor het gebruik en de juiste verzorging van het zaagblad. Deze waarschuwingen worden met het zaagblad meegeleverd.

Een zaagblad moet voordat het op de machine wordt gemonteerd, en vervolgens ook regelmatig tijdens het gebruik, worden gecontroleerd. Let op barsten, ontbrekende segmenten (diamantzaagbladen) of afgebroken stukjes. Gebruik nooit een beschadigd zaagblad.

- Zaagbladen van hoge kwaliteit zijn meestal de meest voordelige. Zaagbladen van mindere kwaliteit hebben vaak een slechter zaagvermogen en kortere levensduur, wat leidt tot hogere kosten in verhouding tot de hoeveelheid materiaal die is verwerkt. Zie de instructies in het hoofdstuk Montage van slijpschijven.



WAARSCHUWING! Gebruik een schijf nooit voor ander materiaal dan waarvoor hij is bedoeld. Gebruik nooit slijpschijven met een lagere toerenmarkering dan die van de doorslijpmachine. Gebruik geen cirkelzaagbladen of zaagbladen met hardmetaal opgelegde tanden.

Instabiliteit van het zaagblad

- Het zaagblad kan gaan slingeren en in stukken breken bij een buitensporig hoog toerental.
- Een lager toerental kan het slingeren beëindigen. Controleer op een juiste configuratie van de bladtransmissie en/of de tandwieloverbrenging. Vervang anders het zaagblad.

Diamantzagen

Algemeen

Nadat de motor is gestopt, blijft het zaagblad nog maximaal een minuut draaien. Stop het zaagblad nooit met uw handen. Dit leidt tot lichamelijk letsel.

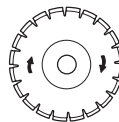


WAARSCHUWING! Diamantslijpschijven worden zeer heet tijdens het gebruik. Een oververhit zaagblad is het gevolg van een onjuist gebruik en kan vervorming van de schijf veroorzaken, wat weer kan leiden tot schade en letsel.

Bij het zagen in metaal komen vonken vrij die brand kunnen veroorzaken. Gebruik de machine niet in de buurt van ontvlambare stoffen of gassen.

- Diamantzaagbladen hebben een stalen blad voorzien van segmenten die industriële diamanten bevatten.

- Diamantzaagbladen zorgen voor lagere kosten per zaagoperatie, minder zaagbladvervangingen en een constante zaagdiepte.
- Let bij het gebruik van een diamantzaag op, dat deze in de richting van de pijl op het blad draait.



Scherpen van diamantzagen.

- Gebruik altijd een scherpe diamantzaag.
- Diamantzagen kunnen bot worden bij een verkeerde voedingsdruk of het zagen van bepaalde materialen, zoals zwaar gewapend beton. Werken met een bot diamantzaagblad leidt tot oververhitting wat ertoe kan leiden dat diamantsegmenten losraken.
- Slijp het zaagblad door gedurende korte tijd de snijdiepte te verkleinen en het motortoerental te verlagen. Hierdoor komt nieuw, scherp diamant vrij op het zaagblad.

Diamantzaagbladen en koeling

- Tijdens het slijpen kan de frictie en de snede ervoor zorgen dat het diamantzaagblad heet wordt. Wanneer het blad niet te heet mag worden, kan hierdoor de bladspanning afnemen of de kern gaan scheuren. Daarom moet een diamantzaagblad ook met water worden gekoeld.

Diamantzaagbladen voor natzagen

Tijdens het slijpen kan de frictie en de snede ervoor zorgen dat het diamantzaagblad heet wordt. Wanneer het blad niet te heet mag worden, kan hierdoor de bladspanning afnemen of de kern gaan scheuren.

Laat het zaagblad afkoelen voordat u het aanraakt.

- Diamantzaagbladen voor natzagen moeten worden gebruikt met water om de bladkern en segmenten koel te houden tijdens het slijpen. Bladen voor natzagen mogen NOOIT droog worden gebruikt.
- Het gebruik van bladen voor natzagen zonder water kan leiden tot oververhitting, wat slechte prestaties, ernstige schade aan het blad en gevaar tot gevolg kan hebben.
- Water koelt het zaagblad en verlengt de levensduur ervan, terwijl het ook stofvorming vermindert.
- Pas natzagen toe op oud en nieuw beton en asfalt.

Bladmaat, mm/inch	Maximale zaagdiepte, mm/inch
500/20	192/7.72
650/26	255/10.25
750/30	305/12.25

LET OP! Gebruik altijd de bladflensmaat die is voorgeschreven voor de desbetreffende zaagbladmaat. Gebruik nooit beschadigde flenzen.

Transport en opbergen

- Bewaar zaagbladen op een veilige plaats, zodat ze niet beschadigd kunnen raken.
- Bewaar de slijpschijf droog en vorstvrij.
- Controleer nieuwe zaagbladen op transport- of opslagschade.

BRANDSTOFHANTERING

Algemeen



WAARSCHUWING! Een motor laten lopen in een afgesloten of slecht geventileerde ruimte kan dodelijke ongelukken veroorzaken door verstikking of koolmonoxidevergiftiging.

Brandstof en brandstofdampen zijn zeer brandgevaarlijk en kunnen leiden tot ernstig letsel bij inademing en contact met de huid. Wees daarom voorzichtig wanneer u met brandstof werkt en zorg voor goede luchtventilatie bij de brandstofhantering.

De uitlaatgassen van de motor zijn heet en kunnen vonken bevatten die brand kunnen veroorzaken. Start de machine daarom nooit binnenshuis of in de buurt van licht ontvlambaar materiaal!

Rook niet en plaats ook geen warm voorwerp in de buurt van de brandstof.

Brandstof

Benzine

- Gebruik schone, verse loodvrije benzine.
- Het aanbevolen laagste octaangetal is 87 ((RON+MON)/2). Als u de motor laat draaien op een brandstof met een lager octaangetal, kan het zogenaamde pingelen optreden. Dit leidt tot een hogere motortemperatuur en grotere belasting op de lagers, wat ernstige schade aan de motor kan veroorzaken.

Motorolie

Plaats de machine altijd op een vlakke ondergrond voordat u het olieniveau controleert. Houd de zaag horizontaal, zonder zaagblad, bij het controleren van het oliepeil.

- Controleer het oliepeil voordat u de machine start. Een te laag oliepeil kan ernstige schade aan de motor veroorzaken. Zie de aanwijzingen in het hoofdstuk 'Onderhoud en service'.
- Gebruik nooit olie bedoeld voor tweetaktmotoren. Gebruik uitsluitend motorolie met een laag asgehalte zoals gespecificeerd onder 'Technische gegevens'.

LET OP! Zorg ervoor dat er altijd voldoende olie in de motor zit.

Tanken



WAARSCHUWING! Stop de motor en laat hem voor het tanken enkele minuten afkoelen.

Open de dop van de tank voorzichtig wanneer u wilt tanken zodat eventuele overdruk langzaam verdwijnt.

Maak de omgeving rond de tankdop schoon.

Draai de dop van de tank goed vast na het tanken. Als de dop niet goed is vastgedraaid, kan de dop lostrillen, waardoor er brandstof uit de brandstoftank kan ontsnappen en brandgevaar ontstaat.

Verplaats de machine ten minste 3 m van de tankplaats voor u de motor start.

Start de machine nooit:

- Indien u brandstof of motorolie op de machine hebt gemorst. Droog alles af en laat de benzinereesten verdampen.
- Als u brandstof op uzelf of op uw kleding gemorst heeft, trek schone kleding aan. Was de lichaamsdelen die in contact zijn geweest met brandstof. Gebruik water en zeep.
- Als de machine brandstof lekt. Controleer de tankdop en de brandstofleidingen regelmatig op lekkage.

Transport en opbergen

- Bewaar en vervoer de machine en brandstof zo, dat eventuele lekkage en dampen niet in contact kunnen komen met vonken of open vuur, bijvoorbeeld van elektrische machines, elektrische motoren, stopcontacten/schakelaars, verwarmingsketels e.d.
- Bij opslag en vervoer van brandstof moeten altijd speciaal voor dat doel bestemde en goedgekeurde tanks worden gebruikt.

DE ACCU GEBRUIKEN

Algemeen



WAARSCHUWING! Lood-zuur-accu's geven explosieve gassen af. Voorkom vonken, open vuur en roken vlakbij accu's.

- Bij het aansluiten of loskoppelen van de accu kunnen er vonken en kortsluiting ontstaan.
- Door een vonk of vlam kan een loodzuuraccu exploderen.
- Breng nooit de beide polen van de accu met elkaar in contact via een sleutel of ander metalen voorwerp, omdat dit kortsluiting in de accu veroorzaakt.
- Hanteer de accu altijd voorzichtig.
- Houd ongebruikte accu's uit de buurt van metalen voorwerpen zoals spijkers, munten en sieraden.
- Verwijder metalen armbanden, horloges, ringen enz. voordat u de accu aansluit. Draag handschoenen en een veiligheidsbril of ademmasker als u aan de accu werkt.
- De oorspronkelijke accu is onderhoudsvrij. Probeer de doppen of deksels niet te openen of te verwijderen. Het peil van de elektrolyt hoeft meestal niet te worden gecontroleerd of aangevuld.
- Vervang de accu alleen door een onderhoudsvrije accu van hetzelfde type. Zie de informatie onder Technische gegevens.
- Bij het uitvoeren van laswerkzaamheden aan de machine, altijd de beide accukabels loskoppelen en van de accupolen verwijderd bewaren.
- Sluit de minpool van het lasapparaat altijd zo dicht mogelijk bij de te lassen plaats aan.

LET OP! Overschrijd nooit de maximale fysieke afmetingen voor de accu. Een te grote accu kan onderdelen in de directe omgeving beschadigen, of daardoor beschadigd raken.

Ga om rekening te houden met het milieu zorgvuldig om met accu. Volg de lokale recyclingbepalingen.

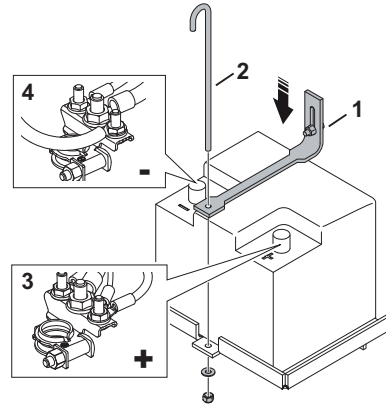
- Als de accu de spanning niet gedurende langere tijd kan handhaven in onbelaste toestand, moet hij worden vervangen. Raadpleeg het hoofdstuk 'Technische gegevens' voor meer informatie over aanbevolen accu's
- Laad de accu regelmatig op.
- Houd de accupolen en toebehoren schoon.

De accu aansluiten

Let op! Installeer en verwijder de accukabels alleen in de in dit hoofdstuk beschreven volgorde.

- 1 Breng de accubevestigingsbeugel aan.
- 2 Borg de accu met de pen.
- 3 Sluit altijd eerst de pluspool aan.

- 4 Sluit de minpool aan.



De accu loskoppelen

- Verwijder de kabels in omgekeerde volgorde.

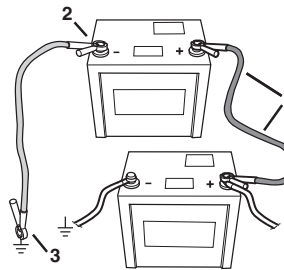
Starten van een motor met een zwakke accu

Als de accu te zwak is om de motor te starten, dient deze opgeladen te worden.

Bij het gebruik van startkabels voor een noodstart, volgt u onderstaande procedure:

Aansluiten van startkabels

- 1 Sluit ieder eind van de rode kabel aan op de POSITIEVE pool (+) van iedere accu, en let goed op dat u geen einde tegen het chassis kortsluit.
- 2 Sluit het ene uiteinde van de zwarte kabel aan op de NEGATIEVE pool (-) op de accu die vol is.
- 3 Sluit het andere uiteinde van de zwarte kabel aan op een goede AARDAANSLUITING OP HET MOTORBLOK, van de brandstoftank en de accu vandaan.



Verwijder de kabels in omgekeerde volgorde.

- De ZWARTE kabel wordt van het motorblok afgenomen en daarna de geheel geladen accu.
- De RODE kabel haalt u als laatste van beide accu's.

Stallen

- Bewaar de accu op een koele, droge plaats.


Veiligheidsuitrusting

Algemeen

Zorg ervoor dat er altijd een andere persoon in de buurt aanwezig is wanneer u de machine gebruikt, zodat u bij een ongeval hulp kunt inroepen.

Persoonlijke veiligheidsuitrusting

Bij al het gebruik van de machine moet goedgekeurde persoonlijke beschermingsuitrusting gebruikt worden. Persoonlijke beschermingsuitrusting elimineert de risico's niet, maar vermindert het schadelijk effect in geval van een ongeval. Vraag uw dealer om raad wanneer u uw uitrusting koopt.



WAARSCHUWING! Het gebruik van producten zoals snijgereedschap, slijppapparaten, boren en zagen om materiaal te schuren of te vormen, kan stof en dampen veroorzaken die gevaarlijke chemicaliën kunnen bevatten. Controleer de aard van het materiaal dat u wilt bewerken en draag een geschikt ademmasker.

Langdurige blootstelling aan lawaai kan leiden tot permanente gehoorbeschadiging. Gebruik altijd goedgekeurde gehoorbescherming. Let op waarschuwingssignalen of geroep wanneer u gehoorbescherming draagt. Doe uw gehoorbescherming altijd af zodra de motor is gestopt.

Draag altijd:

- Goedgekeurde hoofdbescherming
- Gehoorbeschermers
- Een goedgekeurde oogbescherming. Wanneer u een vizier gebruikt moet u ook een goedgekeurde veiligheidsbril gebruiken. Met een goedgekeurde veiligheidsbril wordt een bril bedoeld die voldoet aan norm ANSI Z87.1 voor de VS en EN 166 voor de EU-landen. Een vizier moet voldoen aan norm EN 1731.
- Goedgekeurde ademhalingsbescherming
- Sterke, gripvaste handschoenen.
- Nauwsluitende, sterke en prettige kleding die volledige bewegingsvrijheid toelaat. Bij het snijden komen vonken vrij, waardoor kleding kan gaan branden. Husqvarna raadt het dragen van kleding van brandvertragend katoen of dikke spijkerstof aan. Draag geen kleding die is gemaakt van materiaal als nylon, polyester of rayon. Wanneer dergelijk materiaal in aanraking komt met vuur, kan het gaan smelten en zich aan de huid hechten. Draag geen korte broek
- Laarzen met stalen neus en anti-slip zool.

Andere beschermingsuitrusting



VOORZICHTIG! Tijdens het werken met de machine kunnen vonken ontstaan en brand veroorzaken. Houd daarom altijd brandblusapparatuur bij de hand.

- Brandblusser
- U moet altijd een EHBO-kit bij de hand hebben.

Algemene veiligheidsinstructies

In dit hoofdstuk worden de basisveiligheidsregels voor het gebruik van de machine behandeld. De gegeven informatie kan nooit de kennis vervangen die een vakman via opleidingen en praktische ervaring heeft verworven.


- Neem de gebruiksaanwijzing grondig door en gebruik de machine niet voor u alles duidelijk heeft begrepen. Gebruikers die deze machine voor het eerst gebruiken, wordt aanbevolen praktische instructies te volgen alvorens de machine in gebruik te nemen.
- Denk erom dat het uw verantwoordelijkheid als gebruiker is om mensen en hun eigendommen niet bloot te stellen aan ongelukken of gevaar.
- Houd de machine schoon. Aanduidingen en stickers moeten volledig leesbaar zijn.

Service

Laat uw machine onderhouden door een gekwalificeerde onderhoudsmonteur met gebruikmaking van uitsluitend identieke vervangende onderdelen. Hierdoor blijft de veiligheid van de machine gehandhaafd.

Gebruik altijd uw gezond verstand

Het is niet mogelijk om elke mogelijke situatie te vermelden. Wees altijd voorzichtig en gebruik uw gezond verstand. Als u in een situatie belandt waarin u zich niet veilig voelt, dient u een expert te raadplegen. Wend u tot uw dealer, uw servicewerkplaats of een ervaren gebruiker. Onderneem geen werkzaamheden waarvoor u zich onvoldoende gekwalificeerd acht!



WAARSCHUWING! Wanneer de machine onjuist of slordig wordt gebruikt, kan het een gevaarlijk gereedschap zijn, dat ernstig letsel of overlijden van de gebruiker of anderen kan veroorzaken.

Laat kinderen of andere personen die niet zijn opgeleid om met de machine om te gaan, deze nooit gebruiken of onderhouden.

Laat nooit een ander de machine gebruiken zonder u ervan te verzekeren dat ze de inhoud van de gebruiksaanwijzing hebben begrepen.

Gebruik de machine nooit als u moe bent, alcohol heeft gedronken of medicijnen heeft ingenomen, die uw gezichtsvermogen, beoordelingsvermogen of coördinatievermogen kunnen beïnvloeden.



WAARSCHUWING! Niet goedgekeurde wijzigingen en/of niet-originele onderdelen kunnen tot ernstige verwondingen of het overlijden van zowel gebruiker of anderen leiden. De oorspronkelijke vormgeving van de machine mag in geen enkel geval gewijzigd worden zonder toestemming van de fabrikant. Wijzig deze machine nooit zo dat hij niet langer overeenstemt met de originele uitvoering, en gebruik de machine niet als u denkt dat anderen hem hebben gewijzigd. Gebruik nooit een machine die defect is. Voer de in deze handleiding beschreven veiligheidscontroles en de onderhouds- en service-instructies uit. Bepaalde onderhouds- en servicemaatregelen moeten door opgeleide en gekwalificeerde specialisten worden uitgevoerd. Zie de instructies in het hoofdstuk Onderhoud. Men moet altijd originele onderdelen gebruiken.



WAARSCHUWING! Deze machine produceert tijdens bedrijf een elektromagnetisch veld. Dit veld kan onder bepaalde omstandigheden de werking van actieve of passieve medische implantaten verstoren. Om het risico op ernstig of fataal letsel te beperken, raden we personen met een medisch implantaat aan om contact op te nemen met hun arts en de fabrikant van het medische implantaat voordat ze deze machine gaan bedienen.

Veiligheid op de werkplek



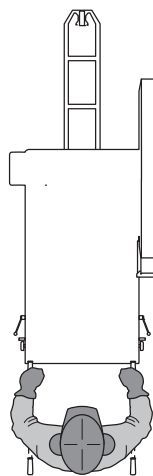
WAARSCHUWING! U bent verantwoordelijk dat er geen dieren en toeschouwers binnen het werkterrein zijn. Begin pas met zagen wanneer het werkgebied vrij is.

- Houd uw omgeving in de gaten om ervoor te zorgen dat u de macht over de machine niet verliest door onverwachte gebeurtenissen.
- Zorg ervoor dat niets/niemand in contact kan komen met de snijuitrusting of door materiaal kan worden geraakt dat door het blad wordt weggeslingerd.
- Breng geen blad aan op de machine wanneer deze nog niet naar de snijzone is getransporteerd.
- Gebruik de motorkettingzaag niet in ongunstige weersomstandigheden. B.v. bij dichte mist, hevige regen, harde wind, hevige koude enz. Werken in slechte weersomstandigheden is vermoeiend en kan tot gevaarlijke situaties leiden, zoals een gladde ondergrond.
- Begin nooit met de machine te werken voordat het werkterrein ontruimd is en u stevig staat. Kijk of er eventuele obstakels zijn wanneer een onverwachte verplaatsing optreedt. Verzekert u ervan dat er geen materiaal naar beneden kan vallen en verwondingen kan veroorzaken terwijl u met de machine werkt. Neem grote voorzichtigheid in acht bij het werken op hellend terrein.
- Verzekert u ervan dat het werkterrein voldoende verlicht is om een veilige werkomgeving te creëren.
- Verzekert u ervan dat zich op de werkplek of in het te zagen materiaal geen leidingen of elektrische kabels bevinden.

- Een motor laten lopen in een afgesloten of slecht geventileerde ruimte kan dodelijke ongelukken veroorzaken door verstikking of koolmonoxidevergiftiging.

Basistechniek

- Deze machine is ontworpen en bedoeld voor het zagen van nieuw en uitgehard beton in verschillende hardheidsklassen en asfalt.
- Zaag altijd op een zodanige wijze dat de noodstopknop van de machine gemakkelijk te bereiken is.
- Controleer of er geen gereedschap of andere voorwerpen op de machine zijn blijven liggen.
- Controleer altijd of de zaagbescherming juist is aangebracht voor u de machine start. Zaag nooit zonder gebruik van de schijf
- Voor het zagen moeten alle sneden, die moeten worden gemaakt, duidelijk worden aangegeven en gepland, zodat ze zonder gevaar voor mens of machine kan worden gemaakt.
- Gebruik nooit de zijkant van het zaagblad om te slijpen. Hierdoor zal het zaagblad beschadigd raken en breken, en ernstige schade veroorzaken. Gebruik alleen het snijvlak.
- Sta niet achter of voor het traject van het zaagblad wanneer de motor draait.
- Laat de machine niet onbeheerd achter terwijl de motor draait.
- Het zaagblad nooit in de snede buigen, vastklemmen, knellen of wringen.
- Zorg ervoor dat er altijd een andere persoon in de buurt aanwezig is wanneer u de machine gebruikt, zodat u bij een ongeval hulp kunt inroepen.
- Sta niet achter of voor het traject van het zaagblad wanneer de motor draait. De plaats voor de bediener is tussen de beide handgrepen.



Positie van de handgrepen

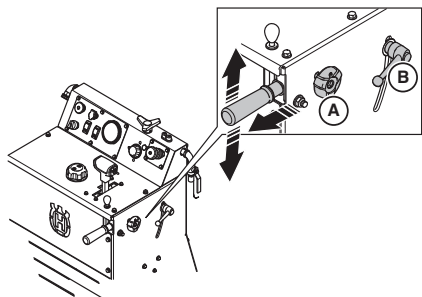
VOORZICHTIG! Gebruik de handgrepen nooit om de zaagmachine aan op te hijsen.

Gebruik de handgrepen alleen om de zaagmachine te besturen.

De handgrepen zijn in hoogte en lengte verstelbaar.

BEDIENING

- Draai de vergrendelknop **A** los om de lengte te verstellen. Stel de handgreep af op een comfortabele werk lengte. Draai de vergrendelknop vast.
- Draai de vergrendelknop **B** voor het verstellen van de handgreep linksom om de handgreep los te maken en te verstellen. Draai de knop rechtsom om de handgreep in zijn nieuwe positie te vergrendelen. Stel het handvat af op de meest comfortabele werkhogte. Draai de vergrendelknop vast.



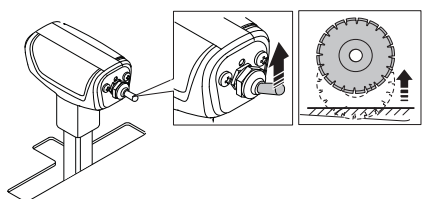
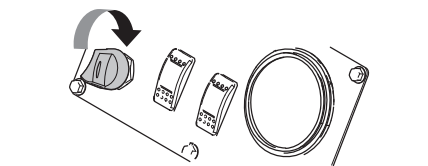
De machine verplaatsen

Voordat u de machine verplaatst, dient u het hoofdstuk 'Starten en stoppen' gelezen en begrepen te hebben.

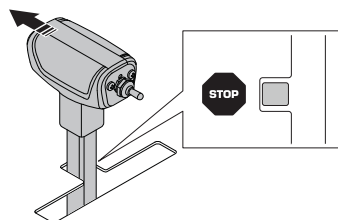
De machine verplaatsen met uitgeschakelde motor

- Zet de motorstartschakelaar in de stand RUN.

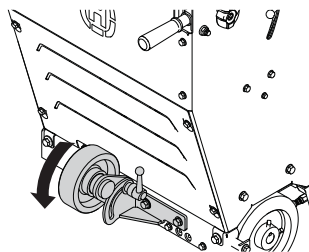
Breng het zaagblad omhoog door de schakelaar voor omhoog/omlaag verplaatsen op de bedieningshendel vooruit/achteruit in te drukken totdat het zaagblad (indien geïnstalleerd) het wegdek niet meer raakt.



- Zet de bedieningshendel vooruit/achteruit in de stand Stop/Neutraal.



- Draai de vergrendelknop linksom om de vrijloop te ontgrendelen en in de transportmodus te zetten. Draai de vergrendelknop vast.



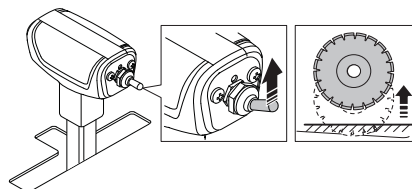
- Til de zaag op totdat de twee achterwielen de grond niet meer raken. De zaagmachine kan nu worden verplaatst door erachter te staan en te duwen (terwijl u de handgrepen vasthoudt).



WAARSCHUWING! Probeer niet de zaagmachine voort te duwen op een helling (of heuvel) terwijl het transportwiel is vergrendeld. De bediener van de zaagmachine kan de controle over de zaagmachine verliezen en daardoor zelf letsel oplopen, of andere personen in de omgeving verwonden.

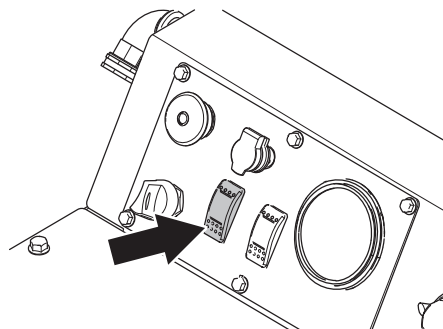
De machine verplaatsen met draaiende motor

- Breng het zaagblad omhoog door de schakelaar voor omhoog/omlaag verplaatsen op de bedieningshendel vooruit/achteruit in te drukken totdat het zaagblad (indien geïnstalleerd) het wegdek niet meer raakt.



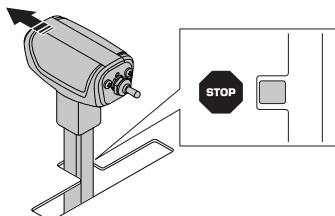
WAARSCHUWING! Transporteer de machine nooit buiten de snijzone wanneer de motor aan staat en er een blad is aangebracht.

- Zet de waterveiligheidsschakelaar in de stand UIT.

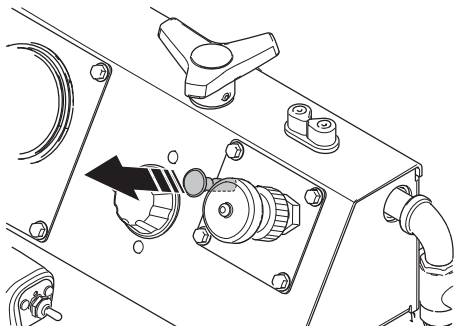


BEDIENING

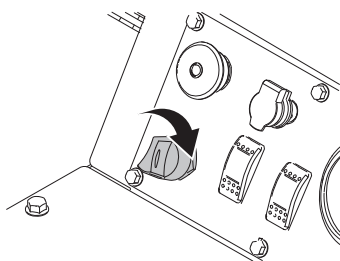
- Zet de bedieningshendel vooruit/achteruit in de stand Stop/Neutraal. De motor kan alleen worden gestart wanneer de snelheidsregelhendel in de vereiste stand Stop/Neutraal staat.



- Trek de choke van de motor uit.

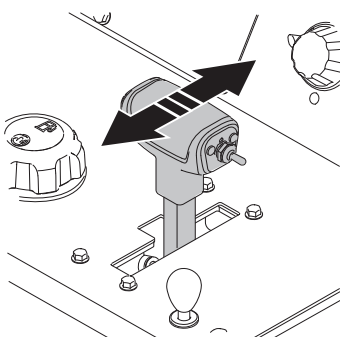


- Draai de motorstartschakelaar naar de motorstartpositie tot de motor start; laat dan de schakelaar los. Hij keert automatisch terug in de stand Ontsteking aan. Als de motor niet start, herhaalt u deze stappen.



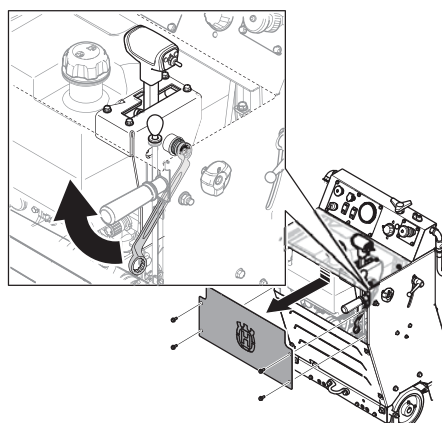
- Duw de bedieningshendel vooruit/achteruit naar voren om de zaag voorwaarts te verplaatsen, of trek hem naar achteren om de zaag achterwaarts te verplaatsen.

Hoe verder u de hendel beweegt, hoe hoger de verplaatsingsnelheid. Zie de sectie "Technische gegevens" voor meer informatie.



WAARSCHUWING! Zet de transmissie niet in de neutrale positie wanneer de machine op een helling (of heuvel) geparkeerd staat. De bediener zal de controle verliezen, met letsel of schade tot mogelijk gevolg.

Stel de weerstand van de bedieningshendel vooruit/achteruit in met de moer op de zijkant van de hendel.



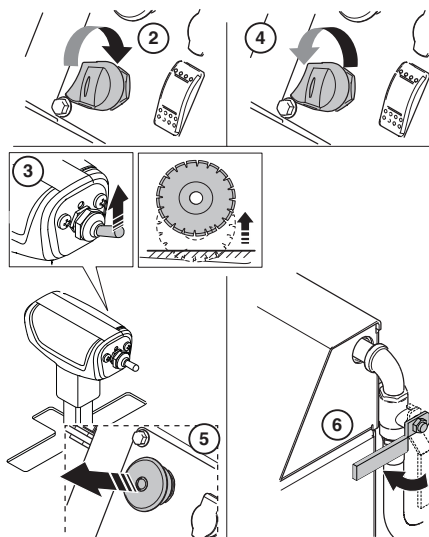
Zaagblad monteren



WAARSCHUWING! Zet de motorstartschakelaar altijd in de stand UIT voordat u het blad aanbrengt.

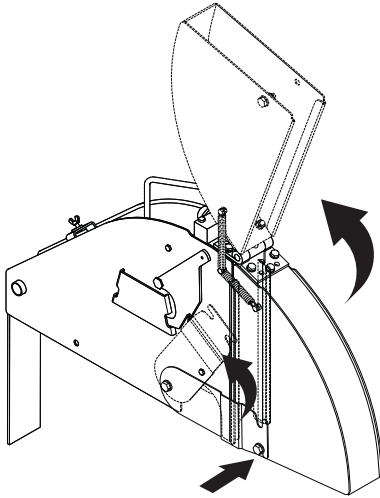
LET OP! Controleer de draairichting van de schijf. De pijl op het zaagblad en op de bladbeschermkap geeft de draairichting aan.

- 1 Transporteer de machine naar de snijzone en controleer de omgeving volgens de informatie onder het kopje Veiligheid snijzone.
- 2 Zet de motorstartschakelaar in de stand Ontsteking aan.
- 3 Plaats de zaag in een hoge stand met de schakelaar voor omhoog/omlaag verplaatsen op de bedieningshendel vooruit/achteruit.
- 4 Zet de motorstartschakelaar in de stand UIT.
- 5 Druk op de machinenoodstopknop op het bedieningspaneel.
- 6 Sluit de waterkraan.



BEDIENING

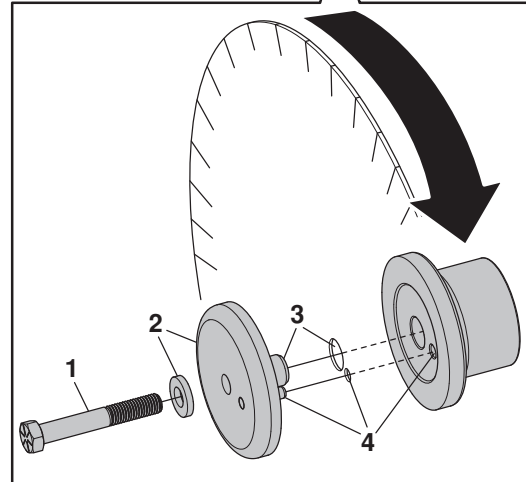
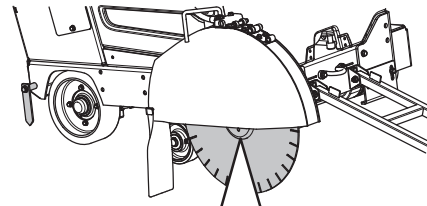
- Draai de bout van het voorste gedeelte van de bladbeschermkap los en trek de vergrendelpal van de bladbeschermkap omhoog.
- Til de voorste bladbeschermkap op.



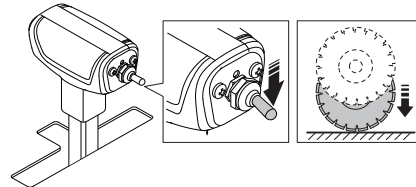
WAARSCHUWING! Controleer of het zaagblad, de bladflenzen en de bladflensspil onbeschadigd zijn. Reinig de contactvlakken van het zaagblad en de bladflenzen. Controleer of het blad en deflenzen schoon zijn, en vrij van vuil en materiaalresten voordat u het blad in de machine monteert.

De bladasbout aan de rechterkant van de zaag heeft linkse schroefdraad, de bladasbout aan de linkerkant van de zaag heeft rechtse schroefdraad. Vervang de bladasbout en de vlakke sluitring wanneer deze versleten of beschadigd zijn.

- 1 Draai de bladasbout los waarmee het zaagblad tussen de binnen- en buitenflens is vastgezet.
 - 2 Verwijder de buitenflens en de vlakke sluitring.
 - 3 Monteer een diamantzaagblad op de spil van de buitenflens.
 - 4 Installeer de buitenflens met voormonteerd zaagblad in de binnenflens en controleer of de borgpen door het diamantzaagblad in de binnenflens steekt. Gebruik altijd een vlakke sluitring bij de bladasbout. Draai de buitenflens en het zaagblad tegengesteld aan de draairichting van het blad om de speling op te heffen.
- Installeer de bladasbout met vlakke sluitring en haal ze aan met de bladassleutel terwijl u het blad stevig tegenhoudt.



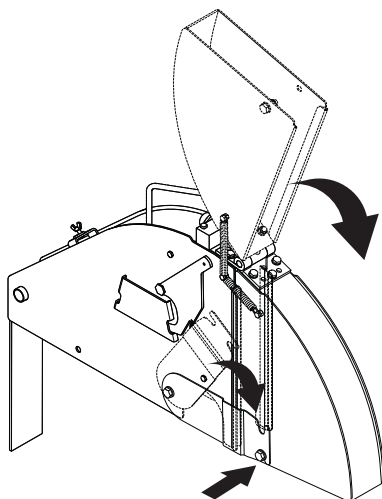
Laat de zaag neer door de schakelaar voor omhoog/omlaag verplaatsen op de bedieningshendel vooruit/achteruit in te drukken totdat het blad het te zagen oppervlak raakt.



VOORZICHTIG! Dit contact moet licht zijn om beschadiging van het zaagblad te voorkomen. Gebruik de regelknop voor neerwaartse snelheid van de zaag om de neerwaartse snelheid af te remmen. Laat het gewicht aan de voorzijde van de machine nooit rusten op het zaagblad, omdat dit daardoor beschadigd raakt.

BEDIENING

- Draai de bladbout stevig vast met de bladassleutel, waarbij de weerstand tussen het diamantzaagblad en de grond helpt de bout met de juiste eindspanning aan te halen.
- Laat het voorste gedeelte van de bladbeschermkap neer en zet de vergrendelpal weer vast op de voorste bout van de bladbeschermkap. Draai de voorste bout van de bladbeschermkap vast.



LET OP! Gebruik de zaag niet wanneer de vergrendelpal niet is vastgezet en de bout niet is gemonteerd. Gebruik de zaag niet als deze onderdelen beschadigd zijn.

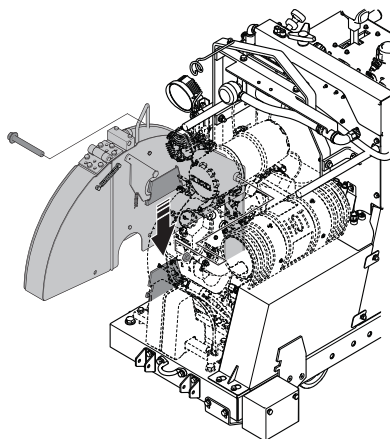
- Voer een bedrijfstest uit met de machine en controleer of er geen ongewone geluiden te horen zijn. Ongewone geluiden duiden op een onjuist gemonteerd zaagblad.

De bladbeschermkap installeren

Slip-on beschermkappen worden vastgezet door middel van een veiligheidsgrendel die in het achterste gedeelte van de bladbeschermkap vastklikt.

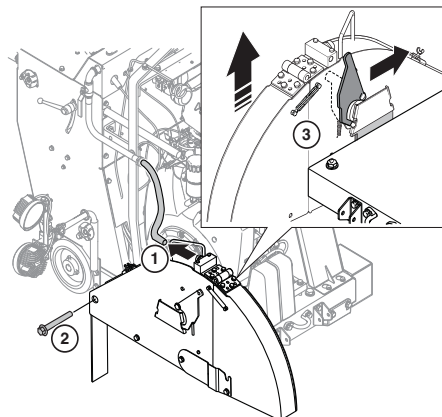
Gebruik de zaag niet wanneer deze vergrendeling niet is vastgezet. Inspecteer de bladbeschermkappen en vergrendelingen vaak. Gebruik de zaag niet als deze onderdelen beschadigd zijn.

Laat de beschermkap neer op de steunspade en oefen een matige kracht uit om de beschermkap omlaag te drukken totdat de vergrendeling vastklikt.



De bladbeschermkap verwijderen

- 1 Koppel de waterslang los van de bladbeschermkap.
- 2 Verwijder de bout waarmee de beschermkap is bevestigd.
- 3 Breng de vergrendeling van de beschermkap naar voren tot deze niet verder kan en de kap ontgrendelt. Til de beschermkap aan zijn handgreep van de steunspade af.



Zaagdiepte

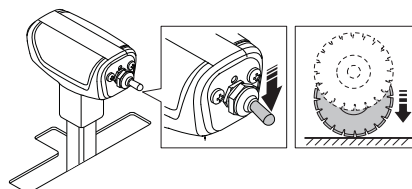
Deze zaag is voorzien van een zaagdiepte-indicator, die aangeeft hoe diep het blad zaagt. Daarnaast is deze zaag voorzien van een zaagdiepteaanslag, die voorkomt dat dieper wordt gezaagd dan een bepaalde diepte.

Zie het hoofdstuk 'Zaagbladen' voor meer informatie over de maximale zaagdiepte voor de verschillende zaagbladmaten

Gebruik van de bladdiepte-indicator

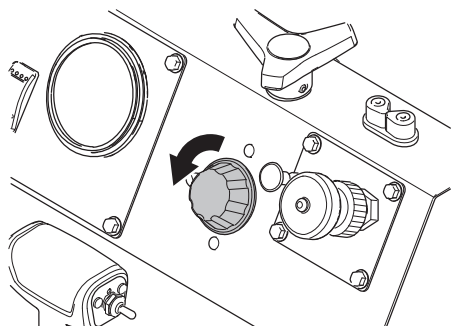
LET OP! Zaag niet dieper dan vereist is volgens de specificaties van het uit te voeren werk, omdat dieper zagen problemen met de structurele sterkte kan veroorzaken.

- Als de motor draait, zet u de motorstartschakelaar in de stand UIT om de motor te stoppen.
- Zet de motorstartschakelaar in de stand AAN.
- Laat de zaag neer door de schakelaar voor omhoog/omlaag verplaatsen op de bedieningshendel vooruit/achteruit in te drukken totdat het blad het te zagen oppervlak raakt. Dit wordt het referentiepunt.



BEDIENING

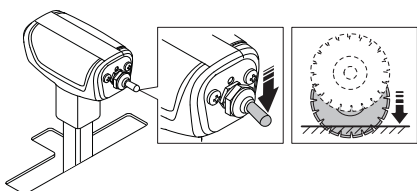
- Draai de knop van de zaagdiepte-indicator in de nulstand. Nu wordt de zaagdiepte weergegeven op de diepte-indicator wanneer het blad in het zaagoppervlak zakt.



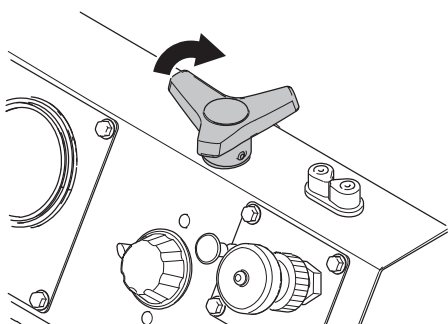
VOORZICHTIG! Dit contact moet licht zijn om beschadiging van het zaagblad te voorkomen. Gebruik de regelknop voor neerwaartse snelheid van de zaag om de neerwaartse snelheid af te remmen.

Gebruik van de bladdiepte-aanslag

- Laat de zaag neer door de schakelaar voor omhoog/omlaag verplaatsen op de bedieningshendel vooruit/achteruit in te drukken totdat het blad de vereiste diepte bereikt (zoals aangegeven op de zaagdiepte-indicator).



- Stel de zaagdiepte-aanslag af door de knop rechtsom te draaien tot deze niet meer verder draait. Nu is de maximale zaagdiepte ingesteld. Als de zaag om welke reden dan ook uit het zaagoppervlak wordt geheven, kan deze nu tot deze specifieke diepte worden neergelaten door het blad omlaag te verplaatsen in het zaagoppervlak met de schakelaar voor omhoog/omlaag verplaatsen op de snelheidsregelhendel.



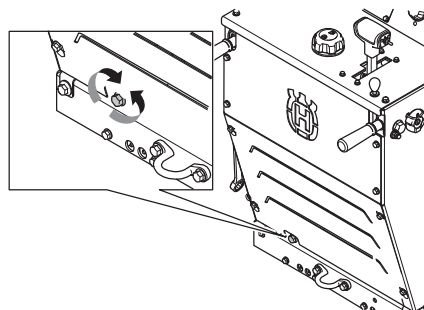
Recht zagen

Tijdens het zagen veroorzaakt het zaagblad een bepaalde weerstand ten opzichte van de aandrijfkraft van de achterwielen, waardoor de machine zal afwijken in de richting waarin het zaagblad is gemonteerd. Dit effect kan worden tegengegaan door de hoek van de achteras te verstellen met behulp van de handmatige asverstelling.

Achterasverstelling

LET OP! Draai eerst de bouten op de achteras en de console op de wielmotor los.

- De achteras wordt veresteld door het verdraaien van de stelbout die zich links onder achter op het frame van de zaagmachine bevindt, met behulp van een sleutel van 18 mm.
- Als de zaagmachine naar rechts afwijkt tijdens het zagen, draait u de stelbout linksom.
- Als de zaagmachine naar links afwijkt tijdens het zagen, draait u de stelbout rechtsom.

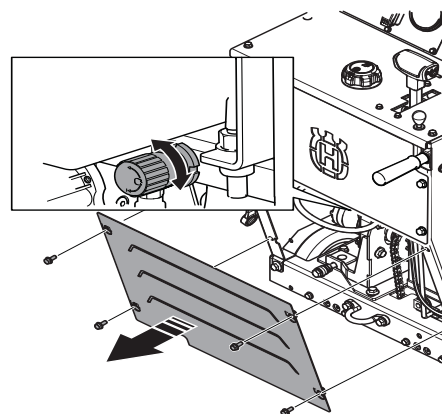


Hydraulisch systeem

Het hydraulisch systeem van deze zaag wordt gebruikt om het diamantblad omhoog/omlaag te verplaatsen en om de zaag vooruit of achteruit te bewegen.

Het hydraulisch systeem bestaat uit een hydrostatische transmissie, een DC-hefpomp met regelventiel en een hydraulische hefcilinder.

- De snelheid waarmee de zaag wordt neergelaten, kan worden ingesteld met het regelventiel. Draai de knop op het regelventiel met de wijzers van de klok mee als de zaag te snel omlaag wordt gebracht, totdat een juiste neerlaatsnelheid wordt bereikt.



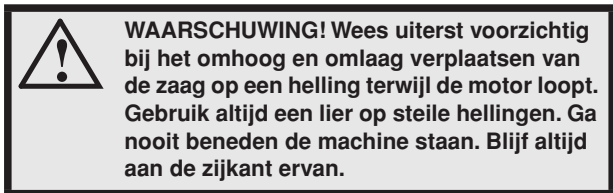
Transport en opbergen

- Verwijder het zaagblad voordat u de machine vervoert of opslaat, om beschadiging van het blad te voorkomen.
- Verwijder alle instelgereedschappen en sleutels
- Sluit de brandstofafsluitklep.



WAARSCHUWING! Verwijder het zaagblad alvorens de machine te hijsen, laden, lossen en transporteren.

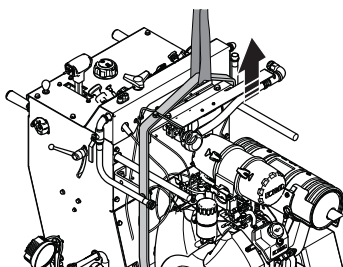
Transport



- Om een helling af te rijden, rijdt u de zaag langzaam achteruit.
- Om een helling op te rijden, rijdt u de zaag langzaam vooruit.

De zaag hijsen

- Wees voorzichtig met tillen. U gaat om met zware delen, wat risico van beknelling en ander letsel inhoudt.
- Maak bij het optillen van de machine altijd gebruik van het aanwezige hijs oog.



Transporteren op een voertuig

- Zet de apparatuur tijdens vervoer goed vast om transportschade en ongelukken te voorkomen. Gebruik de af fabriek aangebrachte vastzetbeugels voor en achter op de zaag om deze vast te zetten en beweging tijdens het transport te voorkomen.
- Sleep de zaag niet achter een ander voertuig, omdat dit de aandrijfcomponenten kan beschadigen.

Stallen

Sla de apparatuur op in een afsluitbare ruimte zodat het buiten het bereik is van kinderen en onbevoegde personen.

- Stop de motor door de motorstartschakelaar in de STOP-stand te zetten.
- Zet de bedieningshendel vooruit/achteruit in de stand Stop/Neutraal.

Zie de hoofdstukken 'Hanteren van brandstof' en 'Hanteren van accu's' voor het transporteren en opslaan van brandstoffen en accu's.

Zie het hoofdstuk "Zaagbladen" voor informatie over het vervoeren en opbergen van zaagbladen.

Opslag voor lange tijd

Zorg ervoor dat de machine goed is schoongemaakt en dat een volledige servicebeurt is gegeven voor een lange periode van stalling. Lees de gebruikershandleiding van de motor voor meer informatie over langdurige opslag.

- Verwijder het zaagblad voor opslag en sla het zorgvuldig op.

Sluit de brandstofafsluitklep en breng de achterste beschermkap weer aan.

- Smeer alle nippels voor de opslag.
- Ontkoppel de minklem en maak deze op een veilige afstand van de accu vast.
- Laad de accu met een druppellader bij langdurige opslag.
- Als de machine gedurende lange tijd niet gebruikt zal worden, moet de brandstoftank leeggemaakt worden. Vraag bij uw tankstation of bij de gemeente waar u de afgetapte brandstof kwijt kan.
- Berg de machine en bijbehorende apparatuur op in een droge en vorstvrije ruimte.
- Dek de machine goed af als deze buiten wordt opgeslagen.
- Ververs de motorolie na langdurige opslag.

STARTEN EN STOPPEN

Voor de start



WAARSCHUWING! Neem de gebruiksaanwijzing grondig door en gebruik de machine niet voor u alles duidelijk heeft begrepen.

Draag altijd persoonlijke veiligheidsuitrusting. Zie instructies in het hoofdstuk "Persoonlijke veiligheidsuitrusting".

Zorg ervoor dat zich geen onbevoegden binnen het werkgebied bevinden, anders bestaat er risico voor ernstige verwondingen.

- Voer dagelijks onderhoud uit. Zie de aanwijzingen in het hoofdstuk 'Onderhoud en service'.
- Controleer of het zaagblad niet in contact komt met andere voorwerpen als u de machine start.

LET OP! Lees de bedieningshandleiding van de motorfabrikant door.

De eerste keer starten

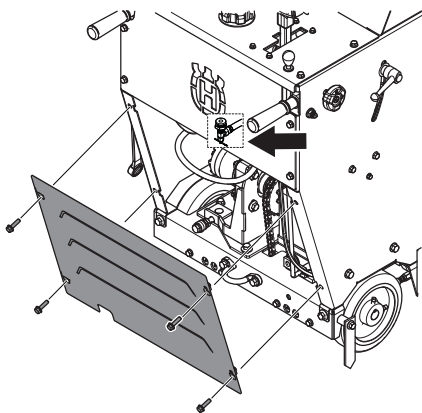
- Controleer het motoroliepeil zonder gemonteerd zaagblad en met horizontaal geplaatste zaagmachine voor een vlak zaagniveau.
- Sluit de accukabels aan. Bij de aflevering van de vloerzaagmachine zijn de accukabels niet aangesloten.

Voor bepaalde markten worden geen accu's meegeleverd met het oog op de veiligheid gedurende het transport. Installeer dan een nieuwe accu.

Zie de sectie "Technische gegevens" voor meer informatie.

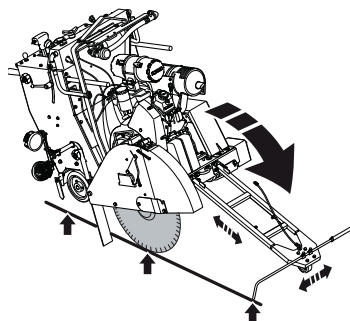
Deze machine is uitgerust met een brandstofafsluitklep. De machine de eerste keer starten:

- Vul de brandstoftank.
- Verwijder de achterste beschermkap en open de brandstofafsluitklep.



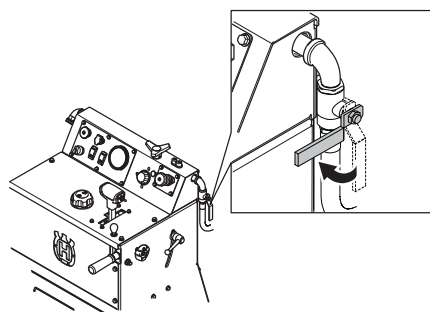
- Breng de achterste beschermkap weer aan.

- Laat de voorgeleiding neer en lijn de voorgeleiding, achtergeleiding en het diamantzaagblad uit ten opzichte van de getrokken streep op het oppervlak. De voorgeleiding is telescopisch. Stel de lengte in door middel van de bouten aan de binnenzijde van de voorgeleiding.

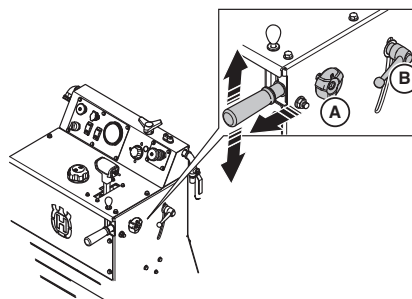


Starten

- Sluit de machine aan op een watertoevoerbron. Sluit de waterkraan.

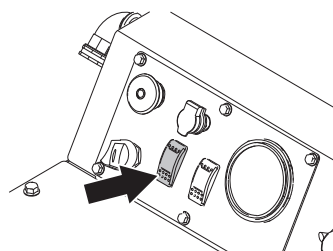


- Geef met een lijn op het oppervlak aan waar moet worden gesneden.
- Trek de handgrepen naar buiten tot de gewenste lengte en draai de knoppen vast.



Starten van de motor

- Om de zaag zonder waterdruk te starten, zet u de waterveiligheidsschakelaar in de uitgeschakelde stand.

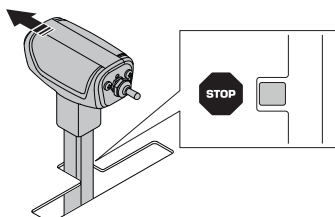


STARTEN EN STOPPEN

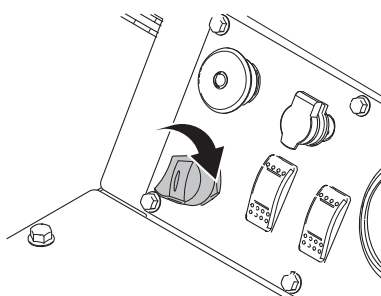
Waterveiligheidssysteem

Water wordt gebruikt om oververhitting van het zaagblad te voorkomen, terwijl tevens het stof dat bij het zagen wordt gevormd, wordt gebonden. Het waterveiligheidssysteem bewaakt de waterdruk naar de machine en onderbreekt het zaagproces wanneer de druk daalt.

- Zet de bedieningshendel vooruit/achteruit in de stand Stop/Neutraal. De motor kan alleen worden gestart wanneer de snelheidsregelhendel in de specifieke stand Stop/Neutraal staat.



- Starten van de motor.



- Laat de motor enkele minuten opwarmen met de gashendel op stationair toerental (minimum).

Warm de machine niet op buiten het zaaggebied wanneer het blad op de machine is gemonteerd. Zie voor montage-instructies van het blad het kopje Zaagblad monteren.

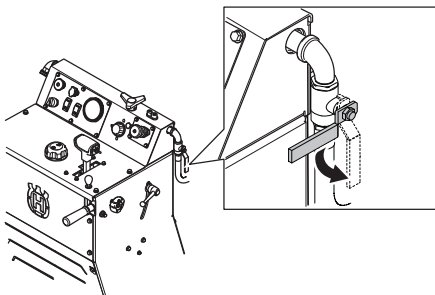
Beginnen met zagen



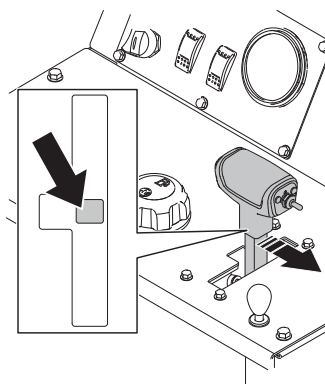
WAARSCHUWING! Gebruik nooit slijpschijven met een lagere toerenmarkering dan die van de doorslijpmachine. Controleer of het zaagblad goed is geïnstalleerd.

LET OP! Zie de tabel voor de juiste toerentallen van bladas en motor voor specifieke bladmaten.

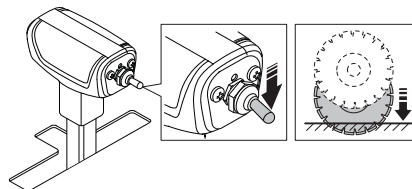
- Controleer of de watertoevoer voldoende is. Door een te gering waterdebiet raken diamantzaagbladen beschadigd. Schakel de waterveiligheidsschakelaar op het bedieningspaneel in en open de waterkraan.



- Zet de bedieningshendel vooruit/achteruit in een versnelling.

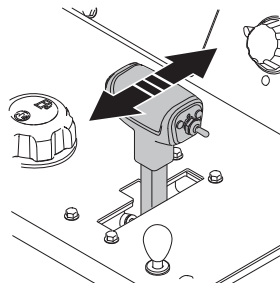


- Zet de gasregelknop van de motor op maximum tpm.
- Laat het zaagblad neer door de schakelaar voor omhoog/omlaag verplaatsen op de bedieningshendel vooruit/achteruit in te drukken tot het zaagblad de gewenste zaagdiepte heeft bereikt. Zie het hoofdstuk 'Zaagdiepte' voor meer informatie.



VOORZICHTIG! Wanneer u het zaagblad neerlaat in een gedeeltelijk gemaakte zaagsnede, dient u het blad exact op de snede uit te lijnen om beschadiging van het blad te voorkomen.

- Verplaats de zaag langzaam vooruit door tegen de bedieningshendel vooruit/achteruit te duwen. Luister naar het geluid van de motor. Als de motor langzamer begint te draaien, kunt u dit compenseren door de bedieningshendel vooruit/achteruit naar achteren te trekken om de aanzet te verkleinen en het stilvallen van het zaagblad te voorkomen. Zorg ervoor dat de voorgeleiding, achtergeleiding en het diamantzaagblad de op het oppervlak aangebrachte streep blijven volgen.



STARTEN EN STOPPEN

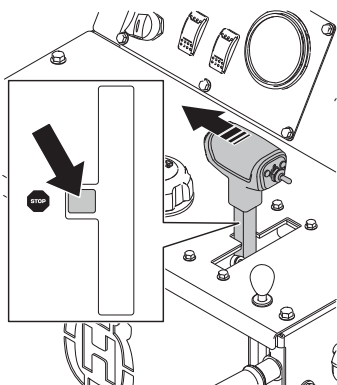
Stoppen



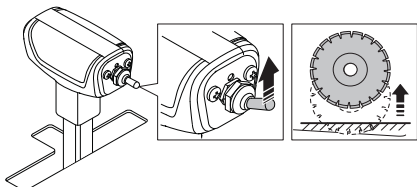
WAARSCHUWING! Houd alle lichaamsdelen altijd buiten het bereik van het zaagblad en van alle andere bewegende onderdelen.

Stoppen met zagen.

- Zet de bedieningshendel vooruit/achteruit in de stand Stop/Neutraal.

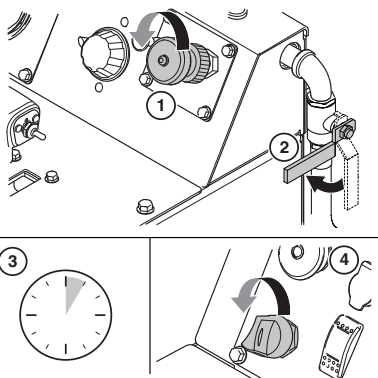


- Hef het diamantzaagblad uit de snede door de schakelaar voor omhoog/omlaag verplaatsen op de snelheidsregelhendel in te drukken totdat het diamantzaagblad van het oppervlak loskomt.



Afzetten van de motor

- 1 Zet de gasregelknop van de motor in de stand voor laag stationair toerental.
- 2 Schakel de waterklep uit.
- 3 Laat de motor enkele minuten stationair draaien voordat u hem uitschakelt. Voer dit binnen het zaaggebied uit en laat de machine niet onbeheerd achter.
- 4 Stop de motor door de motorstartschakelaar in de STOP-stand te zetten.



Algemeen



WAARSCHUWING! De meeste ongelukken met machines gebeuren tijdens het opsporen van fouten en tijdens onderhoudswerkzaamheden, omdat het personeel zich dan binnen de risicozone van de machine moet begeven. Voorkom ongelukken door alert te zijn en de werkzaamheden te plannen en voor te bereiden.

Indien onderhoudswerkzaamheden het nodig maken dat de motor loopt, dient u zich goed bewust te zijn van de risico's bij het werken in de nabijheid van bewegende onderdelen.

Voer onderhouds- en servicewerkzaamheden uit volgens deze Bedieningshandleiding om storingen te voorkomen en om de waarde van de machine in stand te houden.

Onderhoud ook de extra-uitrusting en het gereedschap van de machine.

De gebruiker mag alleen die onderhouds- en servicewerkzaamheden uitvoeren die in deze gebruiksaanwijzing worden beschreven. Meer ingrijpende maatregelen moeten door een erkende servicewerkplaats worden uitgevoerd.

Gebruik bij reparatie alleen originele reserveonderdelen.

Maatregelen die genomen dienen te worden vóór het uitvoeren van onderhoud, service en probleemoplossing

Algemeen

- Zorg ervoor dat de machine op een veilige plaats staat.
- Plaats de machine altijd op een vlakke ondergrond met de motor UIT en de motorstartschakelaar in de STOP-stand voordat u de machine start. Druk op de machinenoodstopknop op het bedieningspaneel.
- Verschillende onderdelen worden heet tijdens het werken met de machine. Begin pas met reparatie- of onderhoudswerkzaamheden nadat de machine is afgekoeld.
- Breng duidelijke waarschuwborden aan om personen in de omgeving te informeren dat er onderhoudswerkzaamheden gaande zijn.
- Verzeker u ervan dat het werkterrein voldoende verlicht is om een veilige werkomgeving te creëren.
- Stel vast waar zich brandblussers, medische hulpmiddelen en nood telefoons bevinden.
- Verwijder het zaagblad voordat u onderhoud, service of probleemoplossingen uitvoert.

Veiligheidsuitrusting

- Draag altijd persoonlijke veiligheidsuitrusting. Zie instructies in het hoofdstuk "Persoonlijke veiligheidsuitrusting".

Werkomgeving

- De omgeving van de machine moet schoon zijn, om het risico van uitglijden te voorkomen.

Schoonmaken



VOORZICHTIG! Bij het schoonmaken van de machine bestaat het risico dat vuil en schadelijke stoffen in de ogen terecht komen, bijvoorbeeld.

Vuil en gevaarlijke stoffen kunnen van de machine afkomen bij het gebruik van hogedrukapparatuur.

Waterstralen en perslucht onder hoge druk kunnen in de huid doordringen en ernstig letsel veroorzaken. Richt nooit een straal onder hoge druk op de huid.

Reinig de machine na ieder gebruik nadat ze is afgekoeld.

Reinigingsmethode

De reinigingsmethode hangt af van de soort verontreinigingen en hoe vuil de machine is. Er mag een mild ontvettingsmiddel worden gebruikt. Vermijd huidcontact. Reinig de machine met een hogedrukspuit.

Reiniging van onderdelen

Een aantal onderdelen dienen uiterst voorzichtig gereinigd te worden.

LET OP! Gebruik geen hogedrukspuit voor het reinigen van het bedieningspaneel.

Motor

- Houd een afstand van ten minste 40 cm aan tussen de spuitmond en de motor met onderdelen. Spuit niet te krachtig op de motor om beschadiging van elektrische onderdelen zoals stekkers en de dynamo te voorkomen. Spuit geen water rechtstreeks in de uitlaatpijp of in het luchtfilter van de motor.

Na het wassen

- Smeer alle smeerpunten van de machine.
- Blaas elektrische aansluitklemmen droog met perslucht.
- Laat de machine goed droog worden voordat u deze start.
- Wees voorzichtig wanneer de machine na een wasbeurt wordt gestart. Wanneer er onderdelen beschadigd zijn door vocht, kunnen de bewegingen van de machine onjuist zijn.

ONDERHOUD EN SERVICE

Serviceschema

Het onderhoudsschema is gebaseerd op de bedrijfstijd van de machine. Kortere onderhoudsintervallen kunnen nodig zijn wanneer er gewerkt wordt in stoffige of warme omgevingen en bij werkzaamheden waarbij hoge temperaturen ontstaan. Een beschrijving van de wijze waarop de werkzaamheden moeten worden uitgevoerd, vindt u in het onderhoudsoverzicht.

Houd voor bepaalde onderhoudstaken de onderhoudsintervallen in het onderstaande onderhoudsschema aan en houd bij wanneer de volgende onderhoudsbeurt moet plaatsvinden. De machine houdt zelf de bedrijfsuren bij en toont deze op het display.

- Plaats de machine altijd op een vlakke ondergrond met de motor UIT en de motorstartschakelaar in de STOP-stand voordat u enig onderhoud pleegt. Druk op de machinenuddstopknop op het bedieningspaneel.

Lees de motorhandleiding van uw machine zorgvuldig en zorg ervoor dat u de aanwijzingen goed begrepen hebt voordat u de machine in gebruik neemt. Er zijn enkele onderhoudsintervallen voorgeschreven in de motorhandleiding.

Dagelijks onderhoud

Dagelijks onderhoud moet ook worden uitgevoerd na een transport.

	Dagelijks	50u	100u	250u	500u	Jaarlijks
Controleer of er geen brandstof- of olielekken zijn.	X					
Controleer het oliepeil van de motor	X					
De bladbeschermkap controleren op eventuele beschadiging	X					
Alle slangen en slangklemmen controleren op beschadiging of loszitten. Haal ze aan of vervang ze indien nodig.	X					
De vervuilingindicator van het luchtfilter controleren. Reinig het buitenste luchtfilter als de indicator rood is.	X					
Controleren of alle beschermkappen op hun plaats zitten en in goede staat verkeren.	X					
De waterstraal op het diamantzaagblad controleren.	X					
Motorolie verversen en het filter vervangen*		X				
De voorwielen smeren		X				
De bladas smeren (2 pompen aan ieder uiteinde)		X				
Controleer de aandrijfriem op slijtage.		X				
Motorolie verversen en het filter vervangen*			X			
De taatslagers van de vooras smeren			X			
De wielen controleren op slijtage of beschadiging.			X			
Controleer de achterwielen op loszitten.			X			
De slang en slangklemmen van het motorluchtfilter controleren			X			
Het vloeistofniveau in het hydraulisch systeem controleren			X			
De spil van de hydraulische cilinder smeren.				X		
Het achteraslager smeren.				X		
De vloeistof in het hydraulisch systeem verversen					X	
Het motorbrandstoffilter (opschroeftype) vervangen					X	
Het binnenste en buitenste luchtfilterelement vervangen						X

* Eenmaal na 50 uur, daarna om de 100 uur

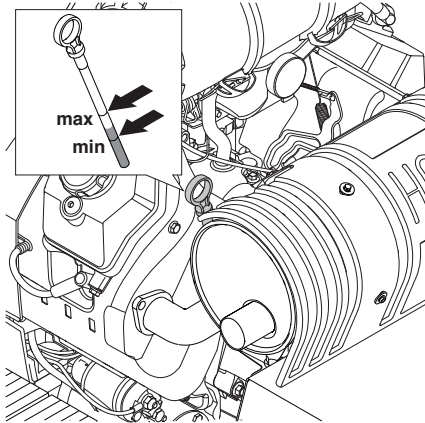
Dagelijks onderhoud



WAARSCHUWING! Controle en/of onderhoud moeten worden uitgevoerd als de motor uit staat.

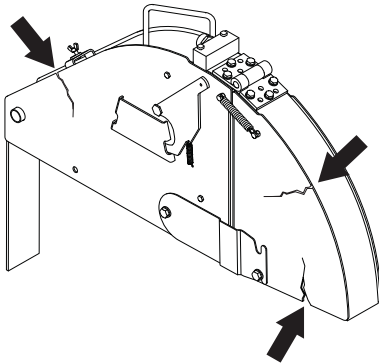
Controleer het motoroliepeil zonder gemonteerd zaagblad en met horizontaal geplaatste zaagmachine voor een vlak zaagniveau.

- Controleer het motoroliepeil.
- Controleer of het niveau tussen de merkstrepen staat.



De bladbeschermkap controleren op eventuele beschadiging

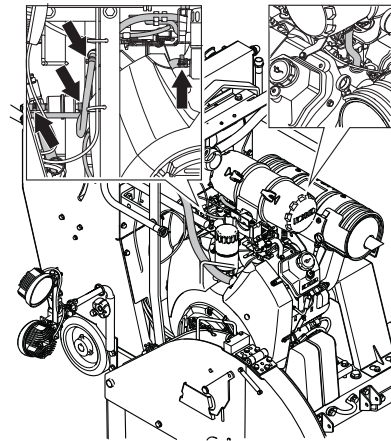
- Controleer de bladbeschermkap op scheuren.



- Gebruik nooit een gebroken of beschadigde bladbeschermkap.

Alle slangen en slangklemmen controleren op beschadiging of loszitten.

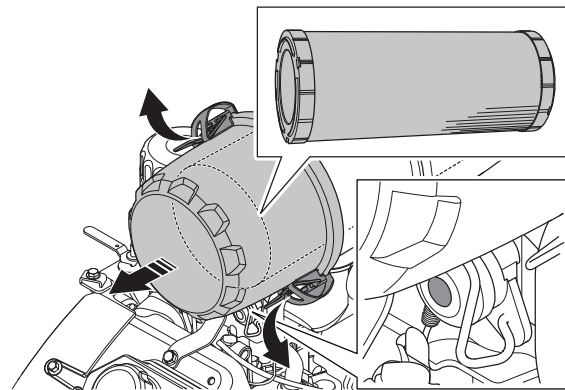
De afbeelding toont slechts enkele van de slangen en slangklemmen.



- Controleer op lekkage in het brandstof- en hydraulisch systeem. Haal ze aan of vervang ze indien nodig.

De vervuiliingsindicator van het luchtfilter controleren.

- Controleer en reinig het buitenste luchtfilterelement als de indicator rood aangeeft. Verwijder de kap aan de achterzijde door de 2 klemmen van het luchtfilterhuis open te buigen en het filterhuis eraf te trekken.



- Een beschadigd luchtfilter moet altijd vervangen worden.



VOORZICHTIG! Er kan ongezond stof vrijkomen tijdens het vervangen van het filter. Draag goedgekeurde ademhalingsbescherming. Voer filters op de juiste wijze af.

Het filter mag niet met perslucht worden gereinigd, hierdoor raakt het filter beschadigd. Filters kunnen met een stofzuiger worden gereinigd. Pas hierbij op dat het oppervlak niet wordt geraakt en dat er geen voorwerpen door het oppervlak komen, hierdoor raakt het filter beschadigd.

Gebruik geen hogedrukreiniging, hierdoor raakt het filter beschadigd.

Een gereinigd filter moet 100% droog zijn voordat het weer op de machine wordt aangebracht.

ONDERHOUD EN SERVICE

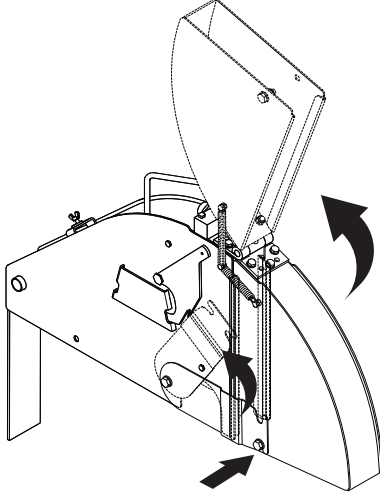
Beschermkappen

- Controleer of alle beschermkappen op hun plaats zitten en in goede staat verkeren.

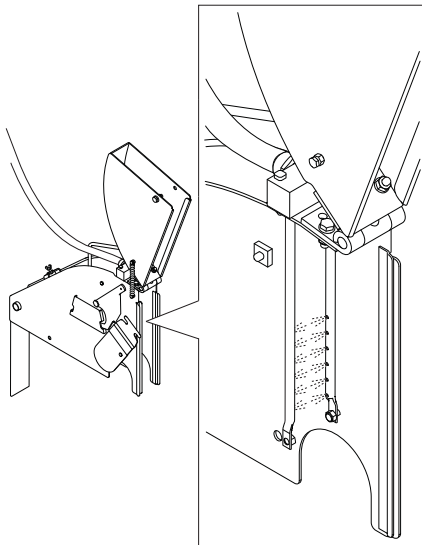
Zie het hoofdstuk 'Veiligheidsvoorzieningen van de machine' voor meer informatie.

De waterstraal op het diamantzaagblad controleren.

- Til het voorste gedeelte van de bladbeschermkap omhoog en zet de kap in de verticale stand vast met een quick release-borgpen.



- Open de waterkraan via het bedieningspaneel. Controleer of de waterstralen uit de openingen in de waterbuizen recht tegen beide zijden van het zaagblad spuiten en of er geen lekkage is. Vervang een defecte waterbuis.



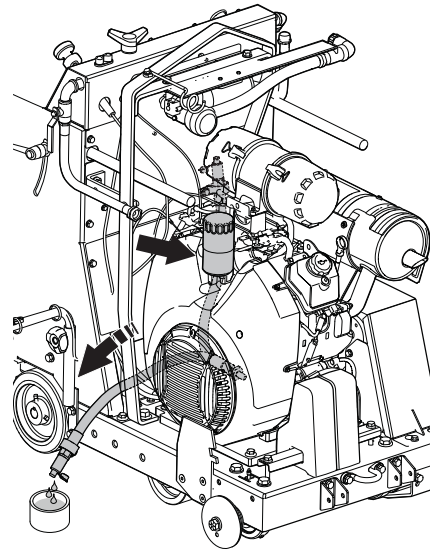
Na de eerste 50 uur

De motorolie verversen en het filter vervangen

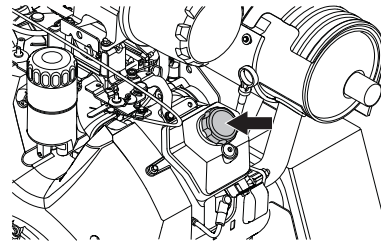
- Verwijder de dop aan de bovenzijde van de slang. Open de kraan en buig de slang omlaag om het systeem geheel af te tappen.

Verwijder het filter en vervang dit.

Smeer de afdichting met een paar druppels olie voordat u deze weer aanbrengt.



- Vul het systeem weer met olie.



- Controleer het motorolieniveau, zie de aanwijzingen onder de titel 'Dagelijks onderhoud'.

Onderhoud na 50 uur

Automatische spanning van de aandrijfriem voor de bladas

Deze machine is uitgerust met een dynamische riemspanner die geen afstelling of onderhoud vereist.

De juiste spanning is vooraf ingesteld tijdens het productie-/montageproces. Als echter vervanging van de riem of andere onderdelen vereist is, volgt u de onderstaande 6 stappen voor de juiste procedure.

Vereiste gereedschappen

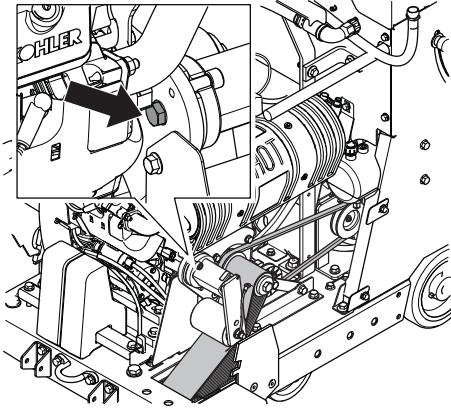
- 13mm-sleutel (niet meegeleverd met machine)
- 19mm-sleutel (niet meegeleverd met machine)
- Verstelbare sleutel (niet meegeleverd met machine)
- Inbussleutel, 8 mm (niet meegeleverd met machine)

Spanning van de riem nemen

- Draai met een 13mm-sleutel de 4 M8-bouten los waarmee de riembescherming is bevestigd. Verwijder de riembescherming.
- Gebruik de inbussleutel om de inbusbout (bevestigingsbout) te verwijderen.

ONDERHOUD EN SERVICE

- Gebruik een 19mm-sleutel om de bout waarmee de spanner op de plaat is bevestigd, iets los te draaien.



Juiste spanning instellen

- Gebruik een verstelbare sleutel om de onderkant van de spanner linksom te draaien en de vereiste voorspanning in te stellen. Wanneer de hoek op de spanner 25° bedraagt en de sleuf aan de onderkant van de spanner gelijk ligt met het gat in de plaat: haal de bevestigingsbout aan met een 19mm-sleutel.
- Breng de inbusbout weer aan met behulp van een inbusleutel.
- Breng de riembescherming weer aan. Draai met een 13mm-sleutel de 4 M8-bouten vast waarmee de riembescherming is bevestigd.



De bladas smeren (2 pompen aan ieder uiteinde)

Zie de aanwijzingen onder de titel 'Smering'.

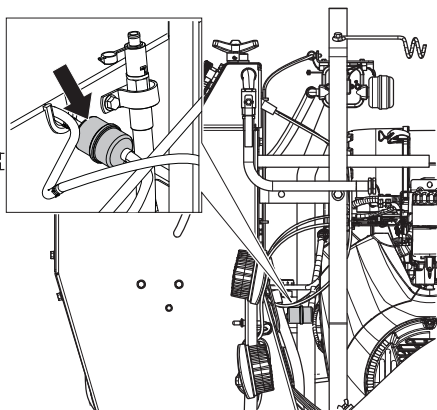
De voorwielen smeren

Zie de aanwijzingen onder de titel 'Smering'.

Onderhoud na 100 uur

Vervang het motorbrandstoffilter (leidingfiltertype)

- Sluit de brandstofafsluitklep op de brandstoftank. Verwijder het brandstoffilter door het los te trekken van de brandstofleiding. Vervang het brandstoffilter. Let op gemorste brandstof.



De motorolie verversen en het filter vervangen

Zie de aanwijzingen onder de titel 'Na de eerste 50 uur'

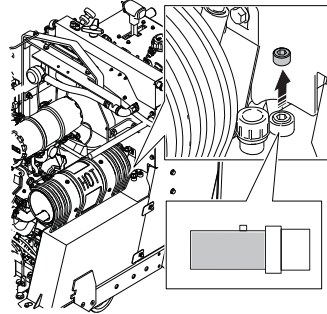
De wielen controleren op slijtage of beschadiging.

Controleer de achterwielen op loszitten.

De slang en slangklemmen van het motorluchtfILTER controleren

Het vloeistofniveau in het hydraulisch systeem controleren

- Zorg ervoor dat de machine volledig is neergelaten.
- Verwijder de stop in de inspectie-opening in de hydrauliekolietank. Het niveau moet reiken tot de benedenrand van de opening in de hydrauliekolietank. Vul indien nodig bij.



LET OP! Niet te vol vullen!

De taatslagers van de vooras smeren

Zie de aanwijzingen onder de titel 'Smering'.

Onderhoud na 250 uur

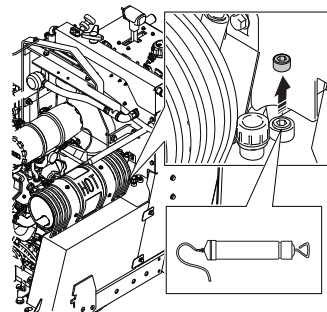
Het achteraslager smeren.

Zie de aanwijzingen onder de titel 'Smering'.

Onderhoud na 500 uur

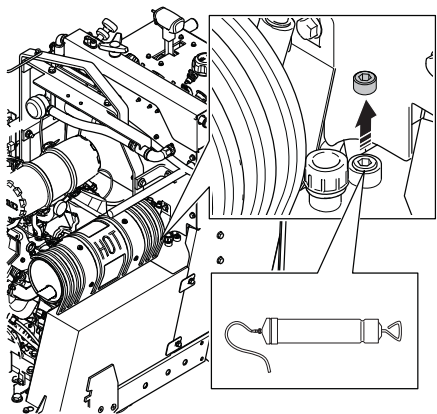
De vloeistof in het hydraulisch systeem verversen

- Zorg ervoor dat de machine volledig is neergelaten.
- Verwijder de stop in de inspectie-opening in de hydrauliekolietank en verwijder de vloeistof via de inspectie-opening met behulp van een olieafzuiginrichting.



ONDERHOUD EN SERVICE

- Vul het reservoir weer met nieuwe olie. Zorg ervoor dat de machine volledig is neergelaten.

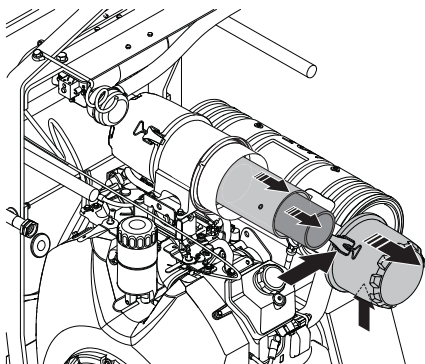


LET OP! Niet te vol vullen!

Jaarlijks onderhoud

Het binnenste en buitenste luchtfilterelement vervangen

Verwijder de kap aan de achterzijde door de 2 klemmen van het luchtfilterhuis open te buigen en het filterhuis eraf te trekken. Vervang beide filterelementen en breng ze in omgekeerde volgorde weer aan.



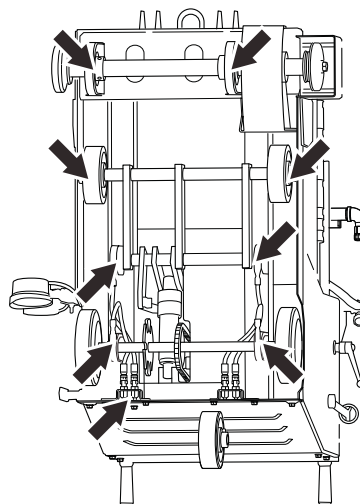
VOORZICHTIG! De 2 klemmen van het luchtfilterhuis kunnen alleen gesloten worden als het buitenste luchtfilterelement goed is geïnstalleerd.

Smeren

De afbeelding laat alle smeerpunten zien (8 smeernippels). Reinig de nippel. Vervang afgebroken of verstopte nippels.

- Smeer de voorwielen.
- Smeer de taatslagers van de vooras.
- Smeer de bladas. Twee pompen aan ieder uiteinde.
- Het achteraslager smeren.

Smeer de bladas boven op de grondplaat.



Afvoeren, sloopmateriaal

Dit product moet worden aangeboden bij een geschikt recyclepunt, in overeenstemming met de lokale voorschriften. Door ervoor te zorgen dat dit product goed wordt verwerkt, kunt u meehelpen aan het voorkomen van potentiële negatieve effecten voor milieu en mensen, die anders veroorzaakt kunnen worden door een niet juiste afvalverwerking van dit product. Voor meer gedetailleerde informatie over recycling van dit product kunt u contact opnemen met uw gemeente, uw vuilophaalcentrale of de winkel waar u het product hebt gekocht.



OPSPOREN VAN STORINGEN

Mogelijke voorvallen tijdens het zagen

VOORZICHTIG! Als de motor of het zaagblad om welke reden dan ook stopt, het zaagblad volledig uit de zaagsnede heffen. Zet de motorstartschakelaar in de STOP-stand. Druk op de machinenoodstopknop op het bedieningspaneel. Inspecteer de machine grondig voordat u hem opnieuw start.

- Laat alle reparaties uitsluitend door uw geautoriseerde dealer uitvoeren

Probleem	Oorzaak	Mogelijke handeling
De motor stopt tijdens het zagen	Motor heeft geen brandstof.	Vul brandstof bij
	Bij te weinig water geeft de waterveiligheidsschakelaar het signaal om de motor te stoppen	Schakel de waterveiligheidsschakelaar uit en controleer de watertoevoer. Start dan de motor weer.
	De machinestopknop is ingedrukt	Reset de stopknop door deze omhoog te trekken.
	Bij overmatig snel zagen, stopt de motor	Luister naar het geluid van de motor. Als de motor langzamer begint te draaien, kunt u dit compenseren door de bedieningshendel vooruit/achteruit naar achteren te trekken om de aanzet te verkleinen en het stilvallen van het zaagblad te voorkomen.
	Zekering van de stroomonderbreker is doorgebrand	Controleer en vervang indien nodig de zekering
Het diamantzaagblad stopt tijdens het zagen	De aandrijfriemspanning is niet goed	De ROSTA-spanner of aandrijfriem moet worden vervangen.
De zaag gaat te snel omlaag	De klep die het neerlaten van de zaag regelt, staat te ver open.	De snelheid waarmee de zaag wordt neergelaten, kan worden afgesteld met de regelknop voor de neerlaatsnelheid van de zaag op/onder de hydraulische pomp. Draai de knop met de wijzers van de klok mee als de zaag te snel omlaag wordt gebracht, totdat een juiste neerlaatsnelheid wordt bereikt.
Het zaagblad draait te langzaam.	Het blad is bot of de invoerdruk is te hoog	Verklein de zaagdiepte en verlaag de motorsnelheid gedurende korte tijd

TECHNISCHE GEGEVENS

Accu

	FS 3500 G
Type aansluiting	Standaard SAE
Spanning, V	12
CCA, A	475
Maximale grootte (LxBxH), mm/inch	242x175x175 / 9 9/16x6 7/8x6 7/8

Hydraulische vloeistof en smeermiddelen

Hydraulische vloeistof

Kwaliteit	Standaard
SAE 10W-30	API Class SE
	API Class CC
	API class CD

Smeermiddelen

Onderdeel	Kwaliteit	Standaard	Inhoud olietank, liter/qt
Motorolie	SAE 10W-30	API-klasse SJ	2/1.9
Hydrostaatpomp	SAE 10W-30		0.19/0.18
Opvoerpomp	SAE 10W-30		1.0/0.95
Smeerpunten (bodemplaat)*	NLGI 2	SAE J310	

* Zie de aanwijzingen in het hoofdstuk 'Onderhoud en service'.

TECHNISCHE GEGEVENS

Technische gegevens

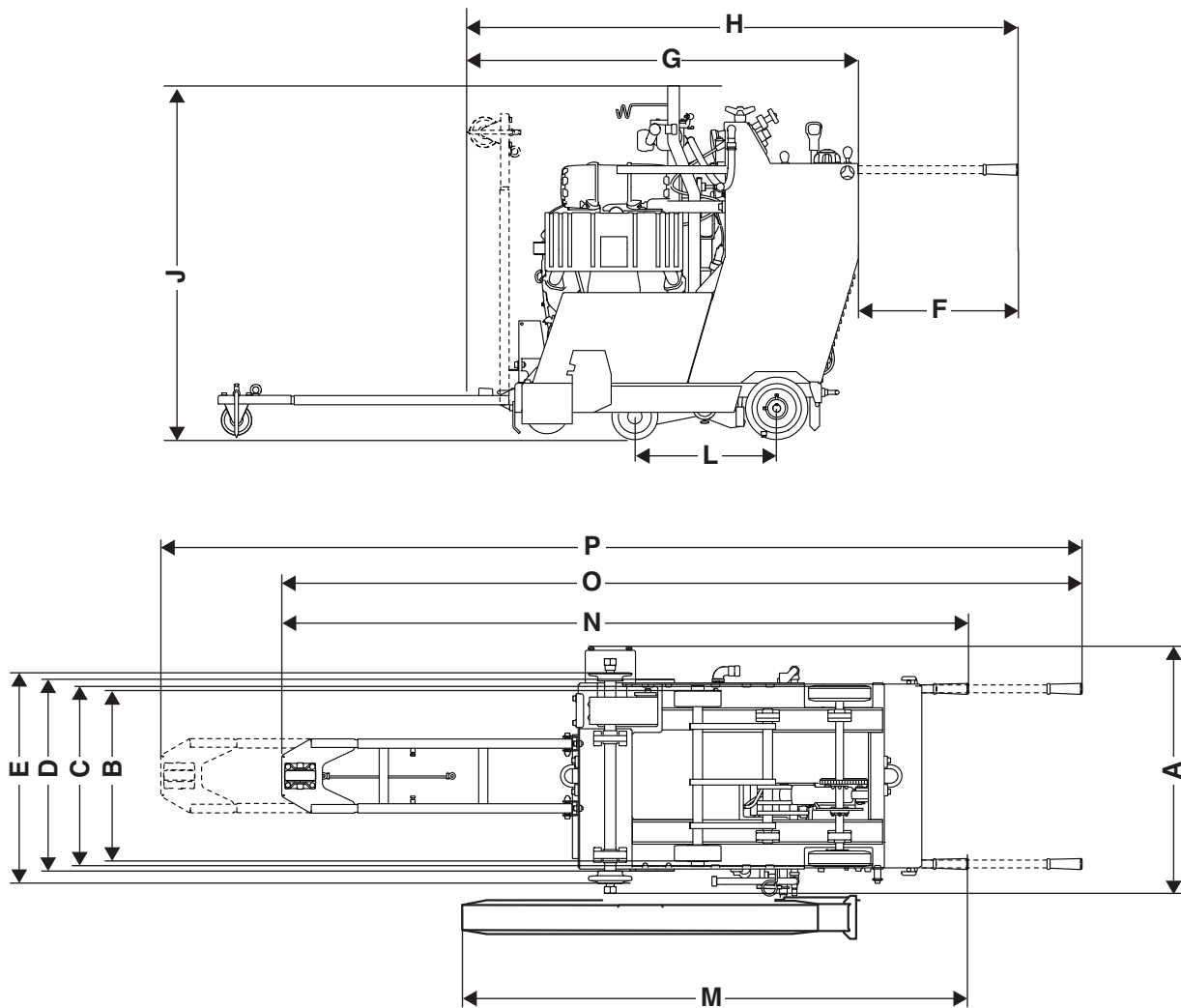
FS 3500 G

Zaagkenmerk	500/20	650/26	750/30
Maat bladbeschermkap, mm/inch	500/20	650/26	750/30
Maximale zaagdiepte, mm/inch	192/7.72	255/10.25	305/12.25
Bladas, tpm	2580	1860	1860
Vermogen bladas, bij benadering, pk/kW	29/21.6		
Zaagspil, mm/inch	25.4/1 met enkele aandrijfpen		
Snelkoppeling bladflens Ø, mm/inch	114.5/4.5	127/5	127/5
Bladasdiameter, mm/inch	44.45 / 1-3/4		
Bladaslagers, mm/inch	Kogellagers van stootblok 44.45 / 1-3/4		
Bladasaandrijving	Poly-V-riem (25 ribben)		
Bladkoelmiddel	Dubbele, verzinkte watersproeibuizen met meerdere stralen		
Hulpstuk bladbeschermkap	Opschuifbaar, zelfborgend		
Bladregeling	Elektrohydraulische pomp brengt zaagblad omhoog; omhoog/omlaag brengen met schakelaar op de snelheidsregelhendel; diepteaanslag en zaagdiepte-indicator.		
Ø as, mm/inch	Voorkant, 25.4/1		
	Achter, 25.4/1		
Wielen, mm/inch	Voor, 152x51x25/6x2x1, breed polyurethaan loopvlak, afgedicht kogellager voor minder onderhoud		
	Achter, 203x51x25/8x3x1, massief rubber		
Transmissie	Hydrostatische pomp met 1 hydraulische wielmotor die met slangen is aangesloten, kettingeindaandrijving, startschakelaar neutraal, toerentalregeling met een enkele hendel.		
Max. grondsnelheid	Traploos regelbaar: 0-51 m/min. / 0-167 fpm vooruit en achteruit. Op CE-modellen is 25 m/min. de maximumsnelheid achteruit		
Chassis	Voor zwaar gebruik, stijve constructie met vierkante en u-vormige profielen		
Gewicht (zonder krat), kg/lb	409/902	413/911	416/917
Maximale bedrijfsmassa, kg/lb	431/950	440/970	447/985

TECHNISCHE GEGEVENS

Zaagafmetingen

A	Breedte, mm/inch		807 / 31 3/4	H	Zaaglengte (pointer omhoog, handgrepen uitgeschoven), mm/inch	1977 / 77 3/4
B	Wielbreedte van midden tot midden, mm/inch	Voorkant	502 / 19 3/4	J	Min. totale hoogte (geen uitlaatpijp, geen afdekking van voorreiniger), mm/inch	1152 / 45 3/8
		Achterkant	540 / 21 1/4			
C	Wielbreedte van buitenzijde tot buitenzijde, mm/inch	Voorkant	553 / 21 13/16	L	Wielbasislengte, mm/inch	464 / 18 1/4
		Achterkant	591 / 23 1/4	M	Bescherming voor handgreep (handgrepen ingeschoven) mm/inch	1549 / 61
D	Framebreedte, mm/inch		606 / 23 7/8	N	Max. totale lengte (handgrepen ingeschoven), mm/inch	2210 / 87
E	Breedte van binnenflens tot binnenflens, mm/inch		687/27-1/4	O	Max. totale lengte (handgrepen uitgeschoven, pointer omlaag), mm/inch	2895 / 114
F	Handgriep lengte, mm/inch		809 / 31 7/8	P	Max. totale lengte (handgrepen uitgeschoven, pointer uitgeschoven), mm/inch	3378 / 133
G	Min. zaaglengte (zonder de handgrepen, pointer en afdekking omhoog), mm/inch		1168 / 46			



TECHNISCHE GEGEVENS

Motor FS 3500 G

Motorspecificaties	Kohler CH1000
Max. uitgangsvermogen motor (zie opmerking 1)	37hp@3750rpm (27.5kW@3750rpm)
Cilinderinhoud, dm ³ / cu.in.	1.0/61
Cylinders	2
Slag, mm/inch	78.5/3.1
Inhoud brandstoftank, l / gallon	23.8/6.3
Luchtfilter	Cycloonluchtfilter en verstoppingsindicator
Startmotor	Elektrisch

Ga voor meer informatie en voor eventuele vragen over deze specifieke motor naar www.kohlerengines.com.

Opmerking 1: Zoals opgegeven door de motorfabrikant. Het opgegeven nominale vermogen van de motoren is het gemiddelde nettovermogen (bij het opgegeven toerental) van een typische productiemotor voor het betreffende motormodel, gemeten volgens de norm ISO 3046, SAE J1940/J1995. In massa geproduceerde motoren kunnen een afwijkende waarde geven. Het werkelijk geleverde vermogen voor de motor op de uiteindelijke machine hangt af van de bedrijfsnelheid, de omgevingscondities en andere waarden.

Lawaai-emissie

	FS 3500 G
Lawaai-emissie (zie opm. 1)	
Geluidsvermogen, gemeten dB(A)	107
Geluidsvermogen, gegarandeerd L _{WA} dB(A)	110
Geluidsniveau (zie opm. 2)	
Niveau geluidsdruk bij het oor van de gebruiker, dB(A)	95
Trillingsniveau, a_{hV} (zie opm. 3)	
Handgreep rechts, m/s ²	1.6
Handgreep links, m/s ²	3.8

Opm. 1: Emissie van geluid naar de omgeving gemeten als geluidsvermogen (L_{WA}) volgens EG-richtlijn 2000/14/EG. Het verschil tussen het gegarandeerde en het gemeten geluidsvermogen is dat het gegarandeerde geluidsvermogen ook de dispersie in het meetresultaat meeneemt, en ook variaties tussen verschillende machines van hetzelfde model, conform Richtlijn 2000/14/EG.

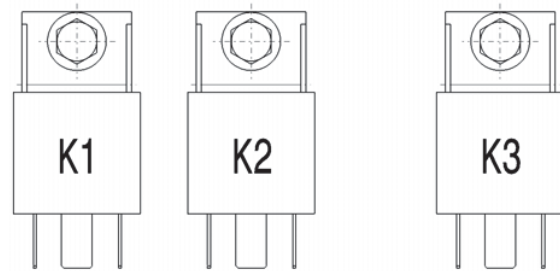
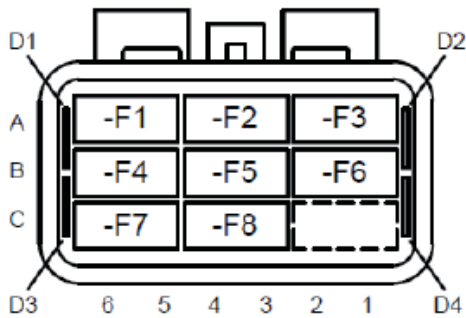
Opm. 2: Geluidsdrukniveau volgens EN 13862. De gerapporteerde gegevens voor het geluidsdrukniveau vertonen een typische statistische spreiding (standaardafwijking) van 4,0 dB (A).

Opm. 3: Trillingsniveau volgens EN 13862. De gerapporteerde gegevens voor het trillingsniveau vertonen een typische statistische spreiding (standaardafwijking) van 1 m/s².

RELAIS EN ZEKERINGEN

Relais en zekeringen – FS 3500 G

Werking		Benaming	Ampère
Hoofdsysteem		-F1	20
Ontsteking		-F2	15
Hydraulisch systeem		-F3	5
Elektromagneet motorcarburateur		-F4	5
Instrumenten		-F5	2
Waterpompket	(optie)	-F6	10
Verlichtingsset	(optie)	-F7	10
Netvoedingsset	(optie)	-F8	15
Hoofdrelais		-K1	20
Onderdrukkingsrelais		-K2	10
Oliebewakingsrelais		-K3	5



EG-VERKLARING VAN OVEREENSTEMMING

EG-verklaring van overeenstemming

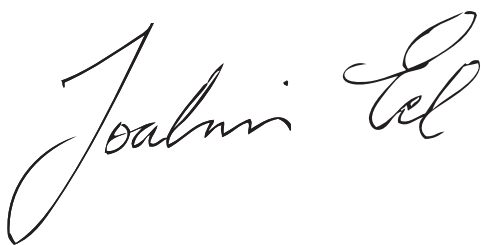
(Alleen geldig voor Europa)

Husqvarna AB, SE-561 82 Husqvarna, Zweden, tel +4636146500, verklaart onder alleenverantwoordelijkheid dat de vloerzaag **Husqvarna FS 3500 G** met serienummers van 2018 en later (het jaartal staat duidelijk op het productplaatje vermeld, gevolgd door het serienummer), voldoen aan de eisen die in de RICHTLIJNEN VAN DE RAAD zijn opgenomen:

- van 17 mei 2006 "betreffende machines" **2006/42/EG**.
- van 26 februari 2014 "betreffende elektromagnetische compatibiliteit" **2014/30/EU**.
- van 8 mei 2000 "betreffende geluidsemisatie door materieel voor gebruik buitenshuis" **2000/14/EG**.

De volgende normen zijn van toepassing: **EN ISO 12100:2010, CISPR12:2007+Amd1:2009, EN55012:2008+A1:2009, EN13862+A1:2009, EN ISO 14982:2009, ISO 13766:2006**. RISE SMP Svensk Maskinprovning AB, Box 7035, SE-750 07 Uppsala, Zweden, heeft namens Husqvarna AB een niet-verplicht typeonderzoek uitgevoerd overeenkomstig de machinerichtlijn (2006/42/EG). Het certificaat heeft nummer: **SEC/16/2457**

Partille 1 januari 2018



Joakim Ed

Global R&D Director

Construction Equipment Husqvarna AB

(erkende vertegenwoordiger voor Husqvarna AB en verantwoordelijk voor technische documentatie.)

SIMBOLOGIA

I simboli sulla macchina:

Alcuni dei simboli seguenti si riferiscono al mercato CE.

AVVERTENZA! Se utilizzata in modo improprio o non corretto, la macchina può essere un attrezzo pericoloso in grado di provocare gravi lesioni o morte dell'operatore, o di altre persone.



Prima di usare la macchina, leggere per intero le istruzioni per l'uso e accertarsi di averne compreso il contenuto.



Usare sempre abbigliamento protettivo. Vedi istruzioni alla voce Abbigliamento protettivo.



Qualsiasi spostamento della macchina al di fuori dell'area di taglio deve essere effettuato con lo strumento non in rotazione.



Rimuovere la lama prima di sollevare, caricare, scaricare e trasportare la macchina.



La freccia sulla protezione dell'utensile indica il senso di rotazione.



Le protezioni devono sempre essere montate sulla macchina. Non consentire mai un'esposizione della lama superiore a 180°.



Controllare il gruppo di taglio. Non usare mai un gruppo di taglio smussato, rotto o danneggiato.



Le lame devono essere omologate per un regime uguale o maggiore di quello indicato sulla targhetta dati della macchina. Un disco di taglio che gira a velocità troppo elevata può spezzarsi o causare gravi danni.



Non utilizzare la macchina vicino a gas o sostanze infiammabili.



AVVERTENZA! Durante il taglio si produce polvere che può provocare difficoltà respiratorie. Usare una mascherina di protezione omologata. Evitare l'inalazione di vapori di benzina e gas di scarico. Assicurare una buona ventilazione.



Superficie calda.



Pericolo della macchina! Tenere sempre tutte le parti del corpo lontano dalla lama e da qualsiasi parte in movimento.



Attenzione, rischio di taglio



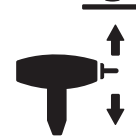
Regolazione del flusso di approvvigionamento dell'acqua



Abbassare la lama



Interruttore di abbassamento e sollevamento della lama



Accensione



Avviamento del motore



Arresto del motore

STOP

Arresto macchina



Arresto della trasmissione



Rifornimento carburante Solo benzina senza piombo



Comando valvola dell'aria



Olio motore



Asta di livello, mantenere il corretto livello dell'olio motore



Non sollevare la tagliasuolo durante il controllo del livello dell'olio motore.



Freno di stazionamento



Attivato/Disattivato



SIMBOLOGIA

Mantenere la tagliasuolo in posizione orizzontale, senza lama, durante il controllo del livello dell'olio motore.



Per sollevare la macchina, usare sempre l'occhio per il sollevamento.



Il presente prodotto è conforme alle vigenti direttive CEE. Se il contrassegno è presente sulla macchina.



Emissioni di rumore nell'ambiente in base alla direttiva della Comunità Europea. L'emissione della macchina è indicata al capitolo Dati tecnici e sulla decalcomania.



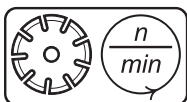
Peso



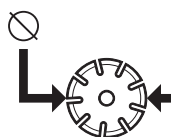
Potenza nominale motore, kW



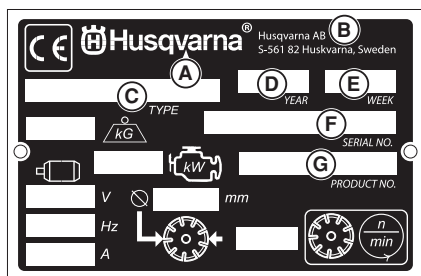
Velocità max del disco, giri/min



Diametro lama, mm



Marchio di fabbrica



A: Marca

B: Produttore, indirizzo

C: Tipo

D, E: Data di fabbricazione, anno, settimana

F: Numero di serie

G: Codice prodotto

I restanti simboli/decalcomanie riguardano particolari requisiti necessari per ottenere la certificazione in alcuni mercati.

Spiegazione dei livelli di avvertenza

Le avvertenze sono suddivise in tre livelli.

AVVERTENZA!



AVVERTENZA! Utilizzato se è presente un rischio di gravi lesioni, morte dell'operatore oppure danni all'ambiente circostante nel caso in cui le istruzioni del manuale non vengano rispettate.

ATTENZIONE!



ATTENZIONE! Utilizzato se è presente un rischio di lesioni per l'operatore oppure danni all'ambiente circostante nel caso in cui le istruzioni del manuale non vengano rispettate.

NOTA!

NOTA! Utilizzato se è presente un rischio di danni ai materiali oppure alla macchina nel caso in cui le istruzioni del manuale non vengano rispettate.

INDICE

Indice

SIMBOLOGIA

I simboli sulla macchina:	110
Spiegazione dei livelli di avvertenza	111

INDICE

Indice	112
--------------	-----

PRESENTAZIONE

Alla gentile clientela	113
Design e funzioni	113
FS 3500 G	113
Identificazione dei componenti della tagliasuolo FS 3500 G	114
Componenti del pannello di comando	116

DISPOSITIVI DI SICUREZZA DELLA MACCHINA

Generalità	117
------------------	-----

LAME

Generalità	119
Dischi al diamante	119
Trasporto e rimessaggio	119

OPERAZIONI CON IL CARBURANTE

Generalità	120
Carburante	120
Rifornimento	120
Trasporto e rimessaggio	120

MANIPOLAZIONE DELLA BATTERIA

Generalità	121
Collegamento della batteria	121
Scollegamento della batteria	121
Avviamento del motore con la batteria quasi scarica ...	121

FUNZIONAMENTO

Abbigliamento protettivo	122
Norme generali di sicurezza	122
Assistenza	122
Tecnica fondamentale di lavoro	123
Posizione del manubrio	123
Spostamento della macchina	124
Montaggio della lama	125
Profondità di taglio della lama	127
Taglio in linea retta	128
Impianto idraulico	128
Trasporto e rimessaggio	128
Stoccaggio a lungo termine	129

AVVIAMENTO E ARRESTO

Prima dell'avviamento	130
Primo avviamento	130
Avviamento	130
Arresto	132

MANUTENZIONE E ASSISTENZA

Generalità	133
Misure da porre in essere prima di eseguire manutenzione, assistenza e ricerca guasti.	133
Pulizia	133
Programma di assistenza	134
Smaltimento, rottamazione	138

RICERCA DEI GUASTI

Incidenti durante il taglio	139
-----------------------------------	-----

CARATTERISTICHE TECNICHE

Batteria	140
Olio idraulico e lubrificanti	140
Caratteristiche tecniche	141
Emissioni di rumore	143

RELÈ E FUSIBILI

Relè e fusibili - FS 3500 G	144
-----------------------------------	-----

DICHIARAZIONE DI CONFORMITÀ CE

Dichiarazione di conformità CE	145
--------------------------------------	-----

Alla gentile clientela

La ringraziamo per aver scelto un prodotto Husqvarna!

Ci auguriamo che rimarrete soddisfatti della vostra macchina e speriamo di potervi servire per molto tempo in futuro. L'acquisto di uno dei nostri prodotti vi dà diritto a ricevere un'assistenza professionale per le riparazioni e la manutenzione. Se non avete acquistato la macchina presso uno dei nostri rivenditori autorizzati, rivolgetevi alla più vicina officina di assistenza.

Questo manuale rappresenta un documento di grande valore. Verificare che sia sempre a disposizione sul posto di lavoro. Seguendone il contenuto (uso, assistenza, manutenzione ecc.) potrete aumentare notevolmente la durata della vostra macchina e anche il suo valore di usato. Se vendete la macchina, ricordate di consegnare il manuale delle istruzioni al nuovo proprietario.

Più di 300 anni di innovazione

Le origini della Husqvarna AB risalgono al 1689 quando il re Karl XI fece costruire una fabbrica per la produzione di moschetti. A quei tempi, erano state già gettate le fondamenta per le nozioni d'ingegneria alla base dello sviluppo di alcuni dei prodotti più importanti del mondo in campi quali: armi da caccia, biciclette, motociclette, elettrodomestici, macchine da cucire e prodotti da esterno.

Husqvarna è il leader mondiale dei prodotti elettrici da esterno per usi forestali, manutenzione di parchi e cura di prati e giardini, oltre alle attrezzature di taglio e agli utensili diamantati per i settori edili e della lavorazione della pietra.

Responsabilità del proprietario

Il proprietario/datore di lavoro è responsabile della formazione dell'operatore sull'uso sicuro della macchina. I supervisori e gli operatori devono aver letto e compreso le istruzioni per l'uso. Devono conoscere:

- le istruzioni di sicurezza della macchina;
- la gamma d'uso e le limitazioni della macchina;
- come utilizzare e sottoporre a manutenzione la macchina.

Le legislazioni nazionali potrebbero regolamentare l'utilizzo della macchina. Prima di utilizzare la macchina, verificare quali legislazioni sono applicabili sul proprio posto di lavoro.

Riserva del produttore

Posteriormente alla pubblicazione del presente manuale, Husqvarna potrebbe fornire informazioni aggiuntive per un utilizzo sicuro del prodotto. Spetta al proprietario tenersi aggiornato sui metodi di utilizzo più sicuri.

La Husqvarna AB procede costantemente allo sviluppo dei propri prodotti e si riserva quindi il diritto di apportare, senza alcun preavviso, modifiche riguardanti fra l'altro la forma e l'aspetto esteriore.

Per informazioni e assistenza, è possibile contattarci tramite il nostro sito Web www.husqvarna.com o al numero 1-800-845-1312.

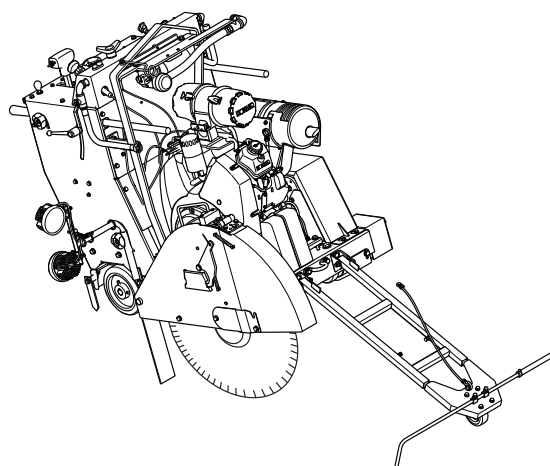
Design e funzioni

Queste tagliasuolo a conduzione manuale sono progettate esclusivamente per l'uso con lame diamantate per taglio a umido. Sono concepite per il taglio di asfalto e cemento fresco e indurito di varie classi di durezza.

I prodotti Husqvarna si distinguono per valori di eccellenza in quanto a prestazioni, affidabilità, tecnologia innovativa, soluzioni tecniche avanzate e rispetto dell'ambiente. Per un utilizzo sicuro del prodotto, l'operatore deve leggere con attenzione il manuale. Per ulteriori informazioni, contattare il proprio concessionario o Husqvarna.

Di seguito sono descritte alcune delle caratteristiche esclusive dei prodotti.

FS 3500 G



Sega

Robusta, agile, facile da usare e da sottoporre a manutenzione.

Motore

Potente motore a benzina raffreddato ad aria con accensione elettrica e di facile utilizzo.

Trasmissione di potenza

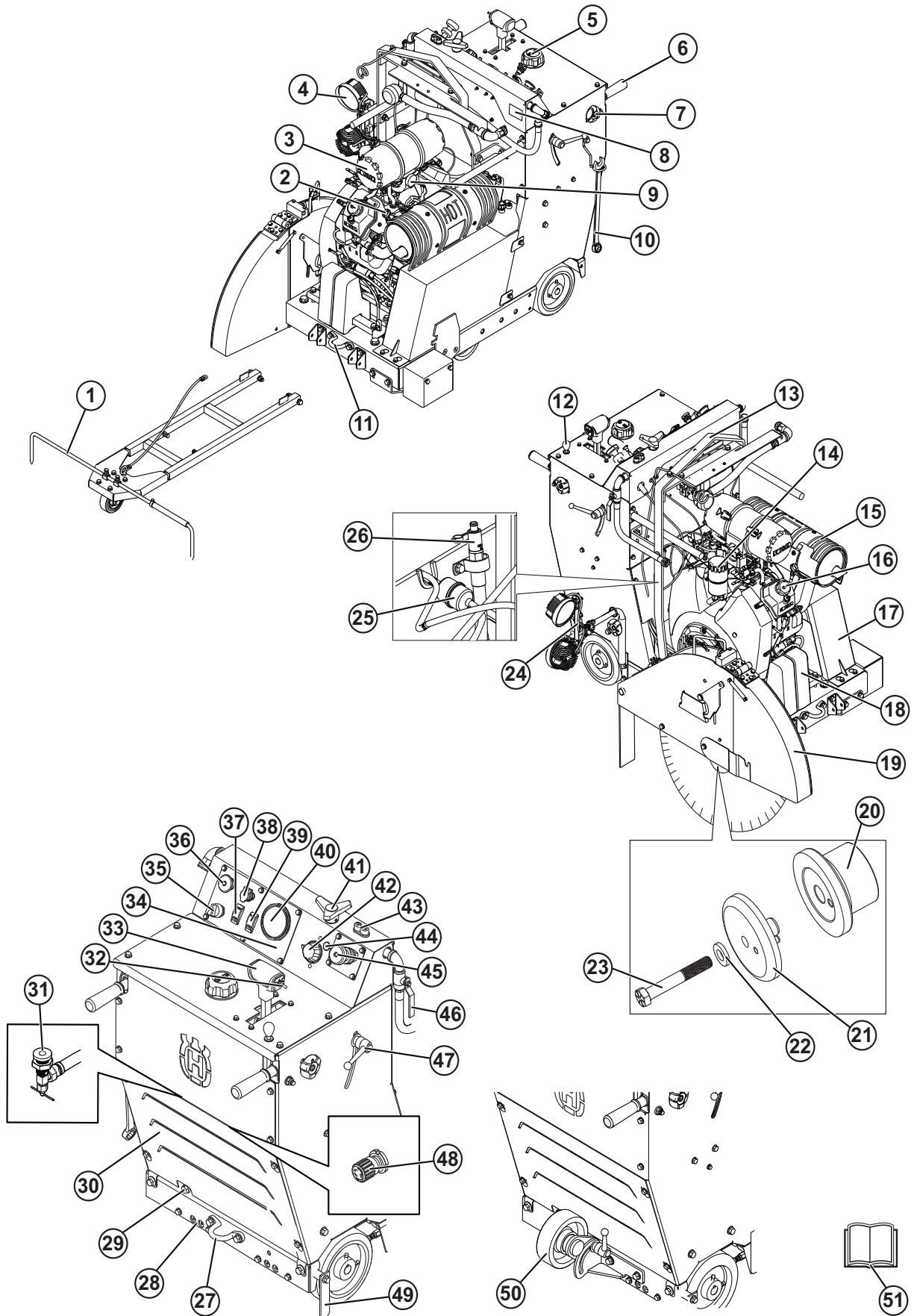
Trasmissione di potenza robusta ed efficiente con tensionamento dinamico della cinghia che garantisce un trasferimento fluido della potenza e una maggiore durata della cinghia.

Guida anteriore

Guida anteriore con regolazione telescopica, che garantisce un'ottima visibilità e praticità di rimessaggio

PRESENTAZIONE

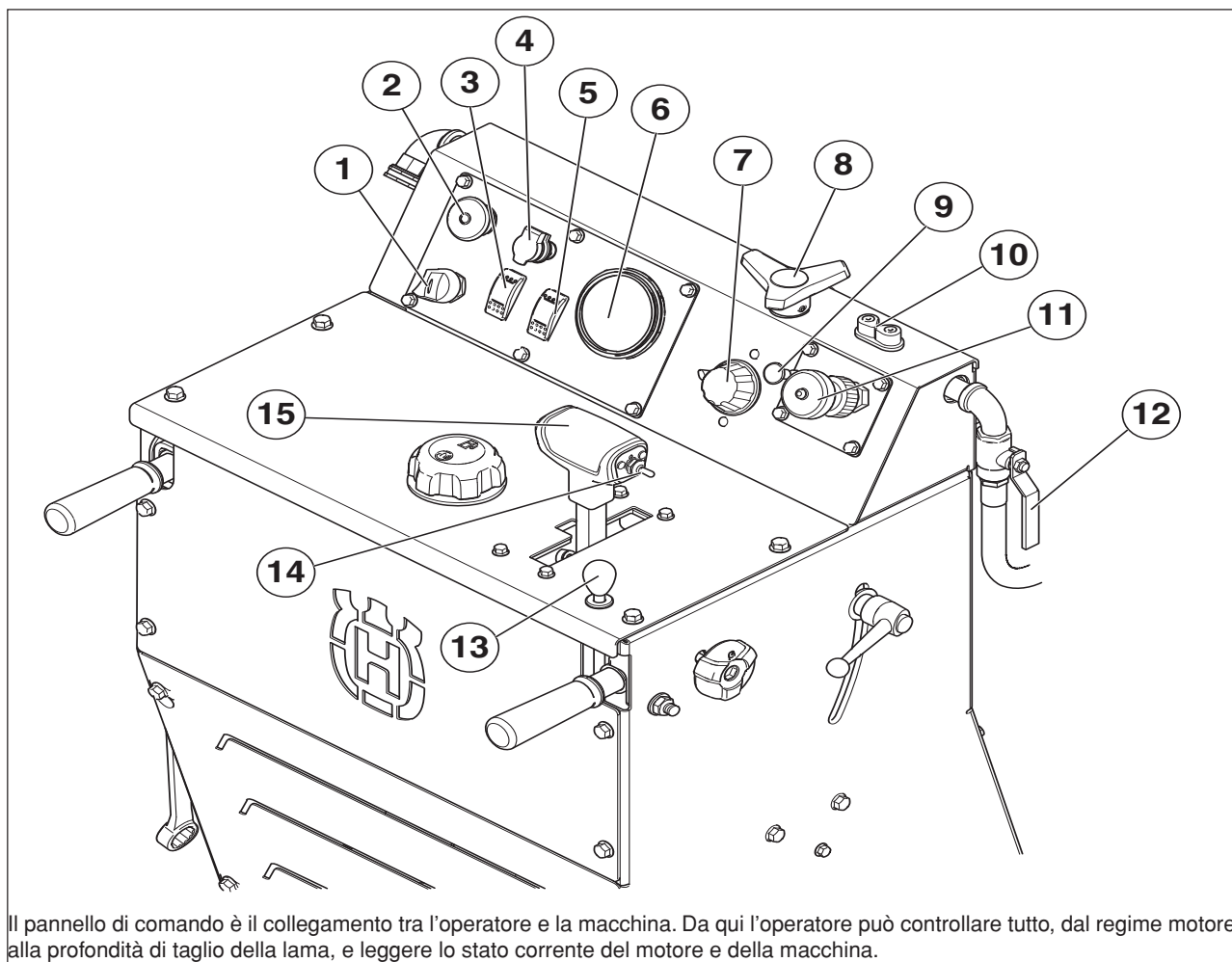
Identificazione dei componenti della tagliasuolo FS 3500 G



PRESENTAZIONE

- 1 Guida anteriore
- 2 Controllo dell'olio motore (asta di livello)
- 3 Filtro dell'aria
- 4 Illuminazione per l'area di lavoro (accessorio)
- 5 Riempimento del serbatoio del carburante
- 6 Manubrio
- 7 Manopola di bloccaggio per la regolazione del manubrio in lunghezza.
- 8 Marchio di fabbrica
- 9 Indicatore di intasamento filtro
- 10 Chiave per albero della lama
- 11 Aletta di fissaggio anteriore
- 12 Leva del freno di stazionamento (accessorio)
- 13 Occhiello di sollevamento
- 14 Filtro dell'olio motore
- 15 Marmitta
- 16 Rabbocco dell'olio
- 17 Coperchio della cinghia di trasmissione
- 18 Pesi (accessorio)
- 19 Protezioni lama
- 20 Flangia interna della lama.
- 21 Flangia del disco esterna
- 22 Rondella della flangia
- 23 Bullone dell'albero della lama
- 24 Interruttore per i fanali
- 25 Filtro del carburante
- 26 Tubo di scarico dell'olio
- 27 Aletta di fissaggio posteriore
- 28 Lubrificazione con facile accesso (accessorio)
- 29 Regolazione posteriore dell'asse
- 30 Coperchio protettivo posteriore
- 31 Valvola di esclusione del carburante
- 32 Interruttore di sollevamento/abbassamento della lama
- 33 Leva di comando marcia avanti/retromarcia
- 34 Scatola dei fusibili e relè
- 35 Interruttore di avviamento motore
- 36 Arresto macchina
- 37 Interruttore di sicurezza dell'acqua (accessorio)
- 38 Presa di corrente 12V (accessorio)
- 39 Interruttore della pompa dell'acqua
- 40 Tachimetro motore/contaore
- 41 Arresto di profondità della lama
- 42 Indicatore di profondità della lama
- 43 Tassello del morsetto
- 44 Comando valvola dell'aria
- 45 Acceleratore motore
- 46 Valvola idraulica
- 47 Manopola di bloccaggio per la regolazione del manubrio in altezza
- 48 Valvola di regolazione portata
- 49 Puntatore posteriore - lato destro
- 50 Ruota di trasporto
- 51 Istruzioni per l'uso

PRESENTAZIONE



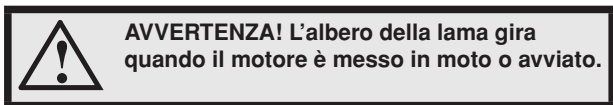
Il pannello di comando è il collegamento tra l'operatore e la macchina. Da qui l'operatore può controllare tutto, dal regime motore alla profondità di taglio della lama, e leggere lo stato corrente del motore e della macchina.

Componenti del pannello di comando

- | | |
|---|---|
| 1 Interruttore di avviamento motore | 7 Indicatore di profondità della lama |
| 2 Arresto macchina | 8 Arresto di profondità della lama |
| 3 Interruttore di sicurezza dell'acqua (accessorio) | 9 Comando valvola dell'aria |
| 4 Presa di corrente 12V (accessorio) | 10 Tassello del morsetto |
| 5 Interruttore della pompa dell'acqua (accessorio) | 11 Acceleratore motore |
| 6 Tachimetro motore/contaore | 12 Valvola idraulica |
| | 13 Leva del freno di stazionamento (accessorio) |
| | 14 Interruttore di sollevamento/abbassamento (lama) |
| | 15 Leva di comando marcia avanti/retromarcia |

DISPOSITIVI DI SICUREZZA DELLA MACCHINA

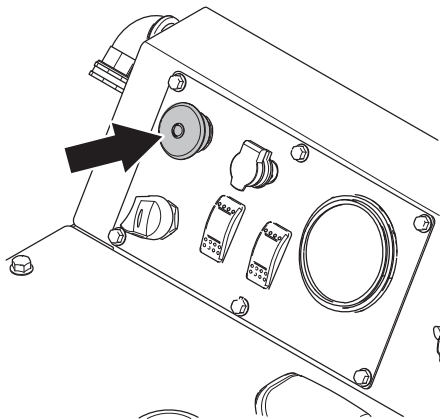
Generalità



In questo capitolo vengono presentati i dispositivi di sicurezza della macchina, la loro funzione, il controllo e la manutenzione necessari per assicurarne una funzione ottimale.

Arresto macchina

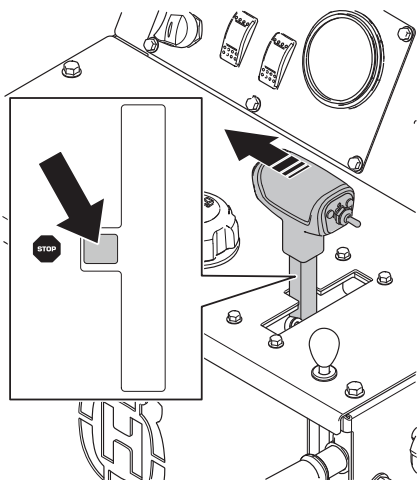
La funzione di arresto della macchina viene utilizzata per spegnere rapidamente il motore e tutte le funzioni elettriche ad eccezione delle luci.



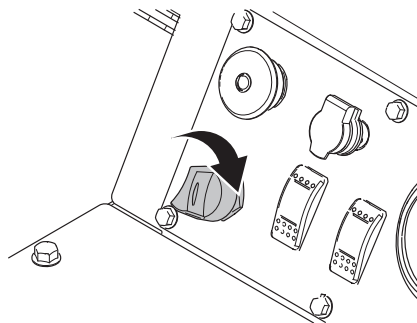
NOTA! Non utilizzare per il normale arresto.

Prova di arresto della macchina

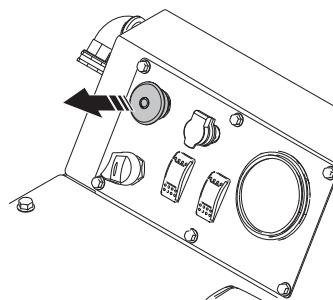
Porre la leva di comando marcia avanti/retromarcia nella posizione di ARRESTO. Il motore non si avvia se la leva non si trova precisamente nella posizione di ARRESTO.



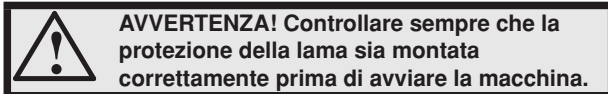
- Avviare il motore, portare l'interruttore di avviamento del motore in posizione di accensione. Seguire la procedura descritta nel manuale del motore.



- Premere l'arresto macchina e verificare che il motore si spenga. In questo modo la macchina entra in modalità di sicurezza.
- Resetare l'arresto macchina tirando verso l'alto il pulsante.



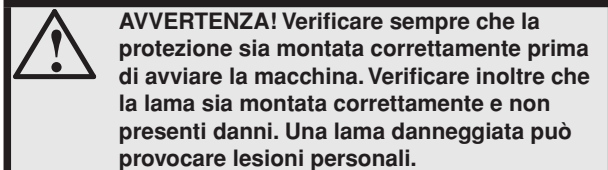
Protezione del disco



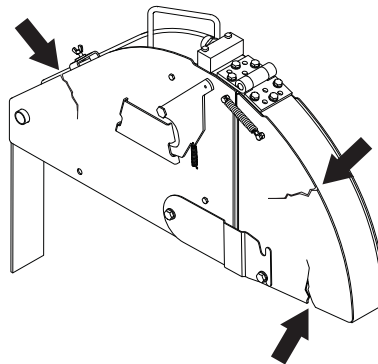
Questa protezione è applicata sopra la lama e progettata per prevenire la proiezione verso l'utente di parti della lama o del materiale tagliato.

Questo consente inoltre di proteggere l'utilizzatore dalla lama e di raffreddare la lama con acqua durante il taglio a umido.

Controllo della protezione della lama



- Controllare il paralama e verificare che non abbia subito lesioni o incrinature. Sostituire il paralama nel caso in cui abbia subito degli urti o presenti delle incrinature.



DISPOSITIVI DI SICUREZZA DELLA MACCHINA

Coperchi di protezione e protezioni

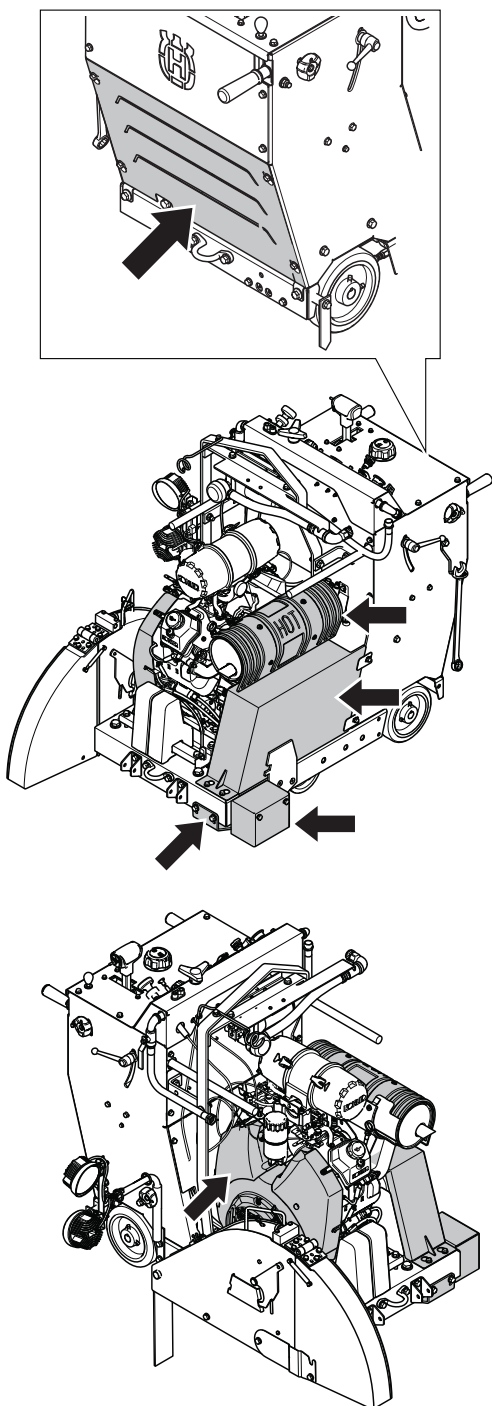


AVVERTENZA! Controllare sempre che le coperture protettive siano montate correttamente prima di avviare la macchina.

Le coperture protettive sulla macchina proteggono l'operatore dalla ventola di raffreddamento, dalle trasmissioni a cinghia e dalle superfici calde.

Controllo delle coperture protettive

- Verificare la presenza di crepe o altri danni alle coperture protettive. Sostituire le coperture danneggiate.



Marmitta



AVVERTENZA! Non utilizzare mai la macchina senza marmitta o con marmitta in cattive condizioni. Una marmitta difettosa può aumentare sensibilmente il livello acustico e il pericolo di incendio. Tenere a portata di mano un estintore o altri attrezzi per spegnere le fiamme.


La marmitta è molto calda durante l'uso e per un po' di tempo dopo. Quanto detto vale anche se la macchina funziona al minimo. Considerare il pericolo di incendio, specialmente quando si movimentano sostanze e/o gas infiammabili.

La marmitta è costruita in modo da assicurare il minimo livello di rumorosità e da allontanare i gas di scarico del motore dall'operatore.

Controllo della marmitta

- Controllare periodicamente che la marmitta sia integra e fissata correttamente.

Generalità




AVVERTENZA! Il disco abrasivo può rompersi e causare gravi danni all'operatore.

Il costruttore del disco di taglio pubblica avvertenze e raccomandazioni relative all'utilizzo e alla corretta manutenzione del prodotto. Tali avvertenze sono contenute nella confezione del disco di taglio.

È opportuno controllare il disco di taglio prima di montarlo sulla sega, nonché periodicamente quando lo si utilizza. Verificare l'eventuale presenza di crepe, segmenti persi (lame diamantate) o pezzi staccati. Non utilizzare un disco di taglio danneggiato.

- I dischi di taglio di buona qualità rappresentano spesso un risparmio. I dischi di taglio di qualità scadente presentano spesso una peggior capacità di taglio e una durata inferiore, il che risulta in maggiori costi in relazione alla quantità di materiale tagliato. Vedere le istruzioni alla sezione Montaggio delle lame.



AVVERTENZA! Non usare mai un disco per materiali diversi da quelli per cui è concepito. Non utilizzare mai lame omologate per un regime inferiore a quello della troncatrice. Non utilizzare lame per seghe circolari o del tipo a punta in carburo.


Instabilità della lama

- La lama può oscillare e rompersi se viene utilizzata a una velocità di rotazione nominale eccessiva.
- Una velocità di rotazione nominale inferiore può interrompere l'oscillazione. Verificare che la configurazione e/o l'ingranaggio della trasmissione della lama siano corretti. In caso contrario, sostituire la lama.

Dischi al diamante

Generalità

Il disco di taglio continua a ruotare fino a un minuto dall'arresto del motore. Non fermare mai la lama con le mani. Potrebbero verificarsi lesioni personali.

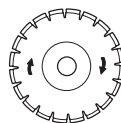


AVVERTENZA! I dischi diamantati si scaldano molto durante l'uso. Il surriscaldamento del disco è il risultato di un uso improprio e che può causare la deformazione del disco, cui seguono danni e lesioni.

Tagliare metalli può generare scintille che possono provocare incendi. Non utilizzare la macchina vicino a gas o sostanze infiammabili.

- I dischi al diamante sono costituiti da una base in acciaio dotata di segmenti contenenti diamanti industriali.
- I dischi al diamante hanno come vantaggio un minor costo per ogni operazione di taglio, minor necessità di sostituire il disco e una profondità di taglio costante.

- Usando un disco al diamante accertarsi che ruoti nella direzione indicata dalla freccia sul disco stesso.



Affilatura dei dischi al diamante

- Usare sempre un disco di taglio ben affilato.
- I dischi al diamante possono perdere l'affilatura se viene usata una pressione di alimentazione errata oppure durante il taglio di alcuni materiali come il cemento dotato di armatura molto consistente. Lavorare con un disco al diamante non affilato provoca surriscaldamento il che può comportare il distacco dei segmenti diamantati.
- Affilare la lama riducendo la profondità di taglio e il regime motore per un breve periodo di tempo. In questo modo sulla lama vengono esposti i diamanti nuovi e affilati.

Lame diamantate e raffreddamento

- Durante le operazioni di taglio, l'attrito provoca il riscaldamento della lama diamantata. Se si permette che la lama si surriscaldi, potrebbe derivarne una perdita di tensione della lama o la formazione di crepe al suo interno. Di conseguenza, la lama diamantata deve essere raffreddata con acqua.

Dischi al diamante per taglio a umido

Durante le operazioni di taglio, l'attrito provoca il riscaldamento della lama diamantata. Se si permette che la lama si surriscaldi, potrebbe derivarne una perdita di tensione della lama o la formazione di crepe al suo interno.

Lasciar raffreddare la lama prima di toccarla.

- Le lame diamantate per taglio a umido devono essere utilizzate con acqua per mantenere freddi l'interno e i segmenti della lama durante il taglio. NON utilizzare a secco le lame per taglio a umido.
- L'utilizzo senza acqua delle lame per taglio a umido può causare un accumulo di calore eccessivo che implica scarse prestazioni, gravi danni alla lama e un rischio per la sicurezza.
- L'acqua raffredda la lama e ne aumenta la durata riducendo contemporaneamente la formazione di polvere.
- Utilizzare il taglio a umido per l'asfalto e il calcestruzzo fresco e indurito.

Dimensioni della lama, mm/pollici	Massima profondità di taglio, mm/pollici
500/20	192/7.72
650/26	255/10.25
750/30	305/12.25

NOTA! Utilizzare sempre una flangia della lama delle dimensioni specificate per le dimensioni della lama corrente. Non utilizzare mai flange danneggiate.

Trasporto e rimessaggio

- Conservare i dischi di taglio in un luogo sicuro in modo che non possano essere danneggiati.
- Conservare il disco di taglio in un luogo asciutto e protetto dal gelo.
- Controllare sempre anche i dischi nuovi per verificarne l'integrità.

OPERAZIONI CON IL CARBURANTE

Generalità



AVVERTENZA! Un motore acceso in un ambiente chiuso o mal ventilato può essere causa di morte per soffocamento o avvelenamento da monossido di carbonio.

Il carburante e i vapori tossici sono altamente infiammabili e la loro inalazione o il contatto cutaneo possono provocare gravi lesioni. Agire dunque con cautela maneggiando il carburante e assicurare una buona ventilazione dell'ambiente durante l'operazione.

I gas di scarico del motore sono molto caldi e possono contenere scintille in grado di provocare incendi. Non avviare mai la macchina in ambienti chiusi o vicino a materiale infiammabile!

Non fumare né collocare oggetti caldi nelle vicinanze del carburante.

Carburante

Benzina

- Utilizzare benzina senza piombo pulita e nuova.
- Il numero minimo di ottani consigliato è 87 ((RON+MON)/2). Se si fa girare il motore con un numero di ottani inferiore a 87 si può verificare il cosiddetto battito. Ciò comporta un aumento della temperatura del motore e del carico dei cuscinetti, con la possibilità di danneggiare gravemente il motore.

Olio motore

Parcheggiare sempre la macchina su una superficie piana prima di controllare l'olio. Mantenere la tagliasuolo in posizione orizzontale, senza lama, durante il controllo del livello dell'olio motore.

- Controllare il livello dell'olio prima di avviare la macchina. Se il livello dell'olio è troppo basso si possono verificare gravi danni al motore. Seguire le istruzioni riportate nella sezione 'Manutenzione e assistenza'.
- Non usare mai olio per motori a due tempi. Utilizzare esclusivamente olio motore a basso contenuto di ceneri, come specificato nella sezione 'Dati tecnici'.

NOTA! Accertarsi che ci sia sempre olio a sufficienza nel motore.

Rifornimento



AVVERTENZA! Spegner il motore e lasciarlo raffreddare alcuni minuti prima del rifornimento.

Aprire il tappo del serbatoio con cautela, per eliminare eventuali sovrappressioni.

Pulire intorno al tappo del serbatoio carburante.

Dopo il rifornimento chiudere bene il tappo. Se il coperchio non è adeguatamente serrato, può aprirsi a causa delle vibrazioni e il carburante potrebbe fuoriuscire dal serbatoio creando un pericolo di incendio.

Prima di avviare la macchina spostarla di almeno 3 metri dal luogo del rifornimento.

Non accendere mai la macchina:

- Se avete versato del carburante o dell'olio per motore sulla macchina: Asciugare il versato e lasciar evaporare i residui di benzina.
- Se avete versato del carburante su voi stessi o sui vostri abiti, cambiare abiti. Lavare le parti del corpo che sono venute a contatto con il carburante. Usare acqua e sapone.
- Se vi sono perdite di carburante nella macchina. Controllare con regolarità la presenza di eventuali perdite dal tappo del serbatoio o dai tubi di alimentazione.

Trasporto e rimessaggio

- Il rimessaggio e il trasporto della macchina e del carburante devono essere eseguiti in modo che eventuali perdite o vapori non rischiano di venire a contatto con scintille o fiamme aperte, generate ad esempio da macchine elettriche, motori elettrici, contatti/interruttori o caldaie.
- Per il rimessaggio e il trasporto del carburante usare recipienti adeguati ed omologati per tale scopo.

MANIPOLAZIONE DELLA BATTERIA

Generalità



AVVERTENZA! Le batterie con elettrolito generano gas esplosivi. Non fumare ed evitare la formazione di scintille e fiamme libere vicino alle batterie.

- Collegare o scollegare la batteria può causare scintille e cortocircuiti.
- Una scintilla o una fiamma può provocare l'esplosione della batteria piombo-acido.
- Non collegare mai contemporaneamente entrambi i morsetti della batteria con una chiave o altri oggetti metallici in quanto potrebbe verificarsi un cortocircuito della batteria.
- Maneggiare sempre la batteria con estrema attenzione.
- Le batterie non utilizzate devono essere tenute lontano da oggetti metallici come chiodi, monete, gioielli.
- Togliere bracciali metallici, orologi, anelli ecc. prima di collegare la batteria. Indossare guanti e occhiali protettivi o una mascherina protettiva quando si lavora con la batteria.
- La batteria originale non necessita di manutenzione. Non tentare di aprire o rimuovere tappi o coperchi. Normalmente non è necessario controllare o regolare il livello di elettrolita.
- Sostituire solo con una batteria che non necessita di manutenzione. Consultare le informazioni nella sezione Dati tecnici.
- Quando si eseguono lavori di saldatura sulla macchina, scollegare sempre entrambi i cavi della batteria e tenerli lontani dai poli della batteria.
- Collegare sempre il polo negativo dell'apparecchiatura di saldatura il più vicino possibile al punto di saldatura.

NOTA! Non superare la dimensione fisica massima della batteria. Una batteria troppo grande può danneggiare o essere danneggiata dalle parti adiacenti.

Per motivi ambientali, maneggiare con cautela la batteria. Seguire le disposizioni locali sul riciclaggio dei materiali.

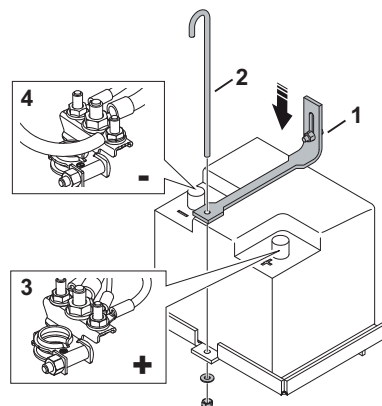
- Se la batteria presenta difficoltà a mantenere la tensione di mantenimento per lunghi periodi di tempo quando il carico non è applicato, sostituire la batteria. Per ulteriori informazioni sulle batterie consigliate, vedere la sezione 'Dati tecnici'
- Caricare regolarmente la batteria.
- Mantenere puliti i morsetti e gli accessori della batteria.

Collegamento della batteria

Osservare! Installare e rimuovere i cavi della batteria solo nella sequenza descritta in questa sezione.

- 1 Installare il supporto della batteria.
- 2 Bloccare la batteria tramite la spina.
- 3 Collegare sempre prima il morsetto positivo.

- 4 Collegare il morsetto negativo.



Scollegamento della batteria

- Scollegare i cavi nell'ordine inverso

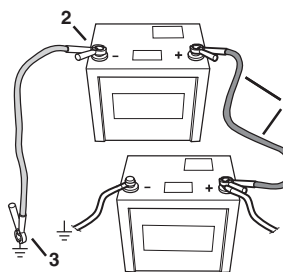
Avviamento del motore con la batteria quasi scarica

Se la batteria non è sufficientemente carica per avviare il motore, ricaricarla.

Se si utilizzano cavi di avviamento per un avviamento di emergenza, procedere come segue:

Collegamento dei cavi di avviamento

- 1 Collegare le estremità del cavo rosso ai poli POSITIVI (+) delle rispettive batterie, verificando di non cortocircuitare le estremità del cavo al telaio.
- 2 Collegare un'estremità del cavo nero al polo NEGATIVO (-) della batteria carica.
- 3 Collegare l'altra estremità del cavo nero a un buon PUNTO DI MASSA SUL BLOCCO MOTORE, lontano dal serbatoio del carburante e dalla batteria.



Scollegare i cavi nell'ordine inverso

- Il cavo NERO deve essere staccato prima dal blocco motore e successivamente dalla batteria completamente carica.
- Scollegare infine il cavo ROSSO da entrambe le batterie.

Rimessaggio

- Conservare la batteria in un luogo fresco e asciutto.

Abbigliamento protettivo

Generalità

Quando si utilizza la macchina, assicurarsi che un'altra persona sia sempre presente nelle immediate vicinanze in modo da poter chiedere aiuto in caso di incidente.

Abbigliamento protettivo

Lavorando con la macchina usare sempre abbigliamento protettivo omologato. L'uso di abbigliamento protettivo non elimina i rischi di lesioni, ma riduce gli effetti del danno in caso di incidente. Consigliatevi con il vostro rivenditore di fiducia per la scelta dell'attrezzatura adeguata.



AVVERTENZA! L'utilizzo di attrezzi che effettuano la levigatura o causano la formazione di materiale, quali troncatrici, smerigliatrici, trapani, seghe, può generare polveri e vapori contenenti sostanze chimiche nocive. Verificare la natura del materiale che si intende lavorare e utilizzare un'apposita maschera di ventilazione.

L'esposizione prolungata al rumore può comportare lesioni permanenti all'udito. Usare quindi sempre cuffie protettive omologate. Prestare attenzione ad eventuali segnali di avvertenza o urla quando si utilizzano protezioni per le orecchie. Togliere sempre le protezioni per le orecchie se si ferma il motore.

Usare sempre:

- Testa dentata omologata
- Cuffie auricolari protettive
- Protezione per gli occhi omologata. Con l'uso della visiera è necessario anche l'uso di occhiali protettivi omologati. Con il termine occhiali protettivi omologati si intendono occhiali che siano conformi alle norme ANSI Z87.1 per gli USA o EN 166 per i paesi EU. La visiera deve essere conforme alla norma EN 1731
- Protezioni respiratorie omologate
- Guanti robusti, in grado di garantire una presa sicura.
- Abbigliamento aderente, robusto e comodo che permetta libertà nei movimenti. Le operazioni di taglio generano scintille che possono incendiare gli indumenti. Husqvarna consiglia di indossare indumenti di cotone ignifugo o jeans pesanti. Non indossare indumenti realizzati in materiali come ad esempio il nylon, il poliestere o il rayon. Se incendiati, tali materiali possono sciogliersi e aderire alla pelle. Non indossare bermuda
- Stivali con calotta di acciaio e suola antiscivolo.

Altri dispositivi di protezione



ATTENZIONE! Lavorando con la macchina potrebbero verificarsi scintille in grado di provocare incendi. Tenere sempre a portata di mano l'attrezzatura antincendio.

- Estintore
- Tenere sempre a portata di mano la cassetta di pronto soccorso.

Norme generali di sicurezza

Questa sezione elenca le norme basilari per un uso sicuro della mototroncatrice per muri. Queste informazioni non potranno mai sostituire la competenza di un professionista, costituita sia da formazione professionale che da esperienza pratica.

- Prima di usare la macchina, leggere per intero le istruzioni per l'uso e accertarsi di averne compreso il contenuto. Si raccomanda di fornire anche agli operatori istruzioni pratiche prima di utilizzare la macchina per la prima volta.
- Si prega di notare che l'operatore è responsabile di eventuali incidenti o pericoli a persone o cose.
- La macchina deve rimanere pulita. I segnali e gli adesivi devono essere interamente leggibili.

Assistenza

La manutenzione della macchina deve essere eseguita da personale qualificato utilizzando solo pezzi di ricambio identici. Questo garantisce la sicurezza della macchina.

Impiegare sempre il buon senso

Non è possibile coprire tutte le situazioni immaginabili che potreste affrontare. Prestare sempre attenzione e usare il buon senso. In situazioni in cui vi sentite incerti su come procedere, rivolgersi sempre ad un esperto. Contattate il vostro rivenditore o un operatore che abbia esperienza della macchina. Evitare ogni tipo di operazione per la quale non vi sentiate sufficientemente competenti!



AVVERTENZA! Se utilizzata in modo improprio o non corretto, la macchina può essere un attrezzo pericoloso in grado di provocare gravi lesioni o morte dell'operatore, o di altre persone.

Non permettere mai a bambini o persone non autorizzate di utilizzare o sottoporre a manutenzione la macchina.

Non consentire mai ad altri l'utilizzo della macchina senza accertarsi che abbiano capito il contenuto del manuale di istruzioni.

Non utilizzare mai la macchina in condizioni di stanchezza oppure sotto l'effetto di alcolici, stupefacenti o farmaci in grado di alterare la vista, la capacità di valutazione o la coordinazione.

FUNZIONAMENTO



AVVERTENZA! Modifiche e/o utilizzo di accessori non autorizzati possono causare gravi lesioni e la morte dell'operatore o altre persone. Evitare assolutamente di modificare la versione originale della macchina senza l'autorizzazione del fabbricante.

Non modificare mai la macchina né utilizzarla se sembra essere stata modificata da altri.

Non usare mai una macchina difettosa. Effettuare i controlli di sicurezza e attenersi alle istruzioni di manutenzione e riparazione riportate nel presente manuale. Alcuni interventi devono essere eseguiti da personale specializzato. Vedere le istruzioni alla sezione Manutenzione.

Usare sempre accessori originali.



AVVERTENZA! Questa macchina genera un campo elettromagnetico durante il funzionamento che in determinate circostanze può interferire con impianti medici attivi o passivi. Per ridurre il rischio di gravi lesioni personali o mortali, i portatori di tali impianti devono consultare il proprio medico e il relativo produttore prima di utilizzare la macchina.

Sicurezza dell'area di lavoro

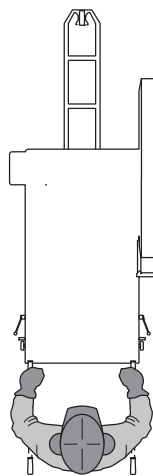


AVVERTENZA! Siete responsabili affinché animali o persone non vengano a trovarsi entro l'area delle operazioni. Non iniziare a tagliare prima che l'area di lavoro sia libera.

- Osservare l'ambiente circostante per accertarsi che non ci siano elementi che possano influire sul controllo della macchina.
- Accertarsi che niente o nessuno possa entrare in contatto con l'attrezzatura di taglio o possa essere colpito dalle parti scagliate dalla lama.
- Non installare una lama sulla macchina prima che quest'ultima sia stata portata nell'area di taglio.
- Evitare di lavorare in condizioni di tempo sfavorevoli. Ad esempio nebbia, pioggia intensa, vento forte ecc. Lavorare nel maltempo è faticoso e può creare situazioni di pericolo, ad esempio un terreno sdruciolevole.
- Cominciate a lavorare solo dopo essere certi che l'area di lavoro sia libera e la posizione da voi assunta sia stabile. Individuate eventuali ostacoli in caso di spostamenti imprevisti. Quando usate la macchina, assicuratevi che il materiale non possa cadere provocando danni. Osservare la massima attenzione lavorando su terreni in pendenza.
- Assicuratevi che l'area operativa sia sufficientemente illuminata in modo da creare un ambiente di lavoro sicuro.
- Accertarsi che non vi siano tubature o cavi elettrici nell'area di lavoro o nel materiale di taglio.
- Un motore acceso in un ambiente chiuso o mal ventilato può essere causa di morte per soffocamento o avvelenamento da monossido di carbonio.

Tecnica fondamentale di lavoro

- Questa macchina è stata progettata per il taglio del calcestruzzo fresco e indurito, in base a diverse classi di durezza, e dell'asfalto.
- Segare sempre in modo da permettere un facile accesso per l'arresto della macchina.
- Accertarsi che nessun utensile o altri oggetti siano stati lasciati sulla macchina.
- Controllare sempre che la protezione della lama sia montata correttamente prima di avviare la macchina. Non eseguire mai tagli senza utilizzare la protezione.
- Prima del taglio, pianificare e segnare chiaramente tutti i tagli necessari, in modo che la loro esecuzione non metta a repentaglio la sicurezza delle persone e l'integrità della macchina.
- Evitare l'affilatura con il lato della lama. C'è un'elevata probabilità che la lama si danneggi, si rompa e provochi danni notevoli. Usare solo il bordo tagliente.
- Non posizionarsi dietro o davanti al percorso della lama mentre il motore è in funzione.
- Non lasciare incustodita la macchina mentre il motore è in funzione.
- Non inclinare, incuneare o piegare mai la lama in un taglio.
- Quando si utilizza la macchina, assicurarsi che un'altra persona sia sempre presente nelle immediate vicinanze in modo da poter chiedere aiuto in caso di incidente.
- Non posizionarsi mai dietro o davanti al percorso della lama mentre il motore è in funzione. La posizione dell'operatore è tra i due manubri.



Posizione del manubrio

ATTENZIONE! Non utilizzare mai i manubri per sollevare la tagliasuolo.

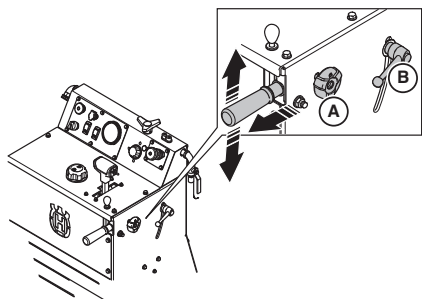
Utilizzare i manubri per manovrare la tagliasuolo.

La posizione dei manubri può essere regolata in altezza e in lunghezza.

- Allentare la manopola di bloccaggio **A** per regolare la lunghezza. Regolare il manubrio alla lunghezza più comoda per lavorare. Serrare la manopola di bloccaggio.

FUNZIONAMENTO

- Ruotare in senso antiorario la manopola di bloccaggio per la regolazione del manubrio **B** per sbloccare e riposizionare manubrio. Ruotarla in senso orario per bloccare il manubrio in posizione. Posizionare il manubrio all'altezza più comoda per lavorare. Serrare la manopola di bloccaggio.



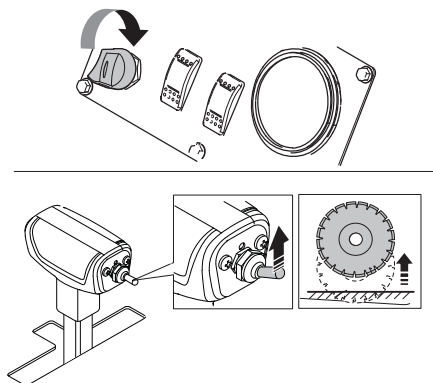
Spostamento della macchina

Prima di spostare la macchina, leggere e comprendere il contenuto della sezione 'Avviamento e arresto'.

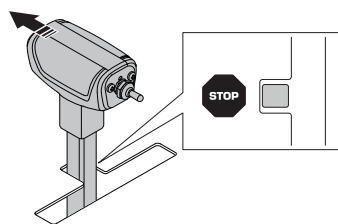
Spostamento della macchina con il motore spento

- Portare l'interruttore di avviamento motore in posizione di "ACCENSIONE".

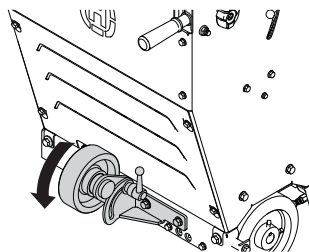
Sollevare la tagliasuolo tirando verso l'alto l'interruttore di sollevamento/abbassamento sulla leva di comando marcia avanti/retromarcia finché la lama (se montata) non è sollevata rispetto alla superficie stradale.



- Porre la leva di comando marcia avanti/retromarcia in posizione di arresto/folle.



- Ruotare il pomello di bloccaggio in senso antiorario per sbloccare e riposizionare la ruota libera in modalità di trasporto. Serrare la manopola di bloccaggio.



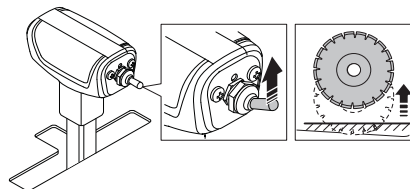
- Sollevare la motosega fino a che le due ruote posteriori non si alzano dalla superficie. È ora possibile spostare la tagliasuolo stando in piedi dietro di essa e spingendola (impugnando i manubri).



AVVERTENZA! Non tentare di spingere la motosega se la ruota di trasporto è impegnata su una pendenza. L'operatore della tagliasuolo potrebbe perdere il controllo della macchina e causare lesioni a se stesso o ad altre persone vicine.

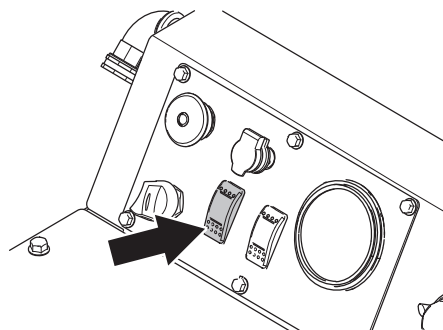
Spostamento della tagliasuolo con il motore acceso

- Sollevare la tagliasuolo tirando verso l'alto l'interruttore di sollevamento/abbassamento sulla leva di comando marcia avanti/retromarcia finché la lama (se montata) non è sollevata rispetto alla superficie stradale.



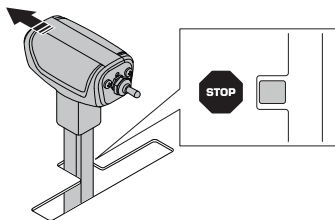
AVVERTENZA! Non spostare mai la macchina al di fuori dell'area di taglio con il motore acceso e con una lama montata.

- Disinserire l'interruttore di sicurezza acqua.

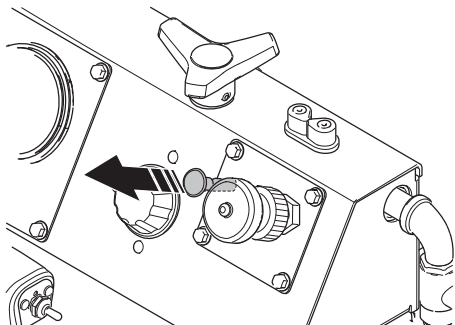


FUNZIONAMENTO

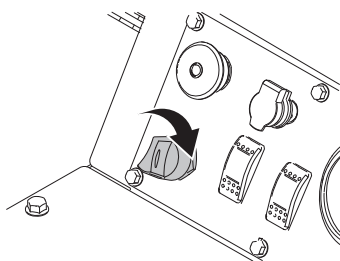
- Porre la leva di comando marcia avanti/retromarcia in posizione di arresto/folle. Il motore non si avvia se la leva non si trova nella posizione di arresto/folle.



- Tirare verso l'esterno il comando dell'aria del motore.

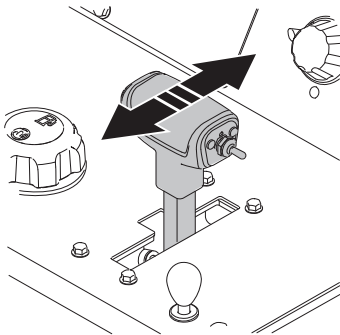


- Girare l'interruttore di avviamento del motore nella posizione di avviamento per avviare il motore, quindi rilasciarlo. Questo torna automaticamente nella posizione di accensione. Se il motore non si avvia, ripetere la procedura.



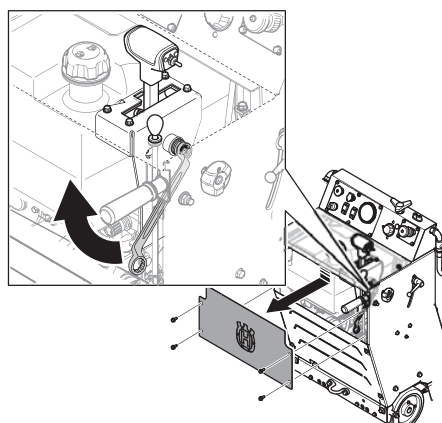
- Spingere in avanti la leva di comando marcia avanti/retromarcia per far avanzare la tagliasuolo o spingerla all'indietro per spostare la tagliasuolo in retromarcia.

Più si spinge la leva, più aumenta la velocità. Per ulteriori informazioni, consultare la sezione "Dati tecnici".



AVVERTENZA! Non porre la trasmissione in folle mentre la macchina è parcheggiata in pendenza. Pericolo di lesioni personali o danni se l'operatore perde il controllo della macchina.

- Regolare la resistenza della leva di comando marcia avanti/retromarcia tramite il dado sul lato della leva.

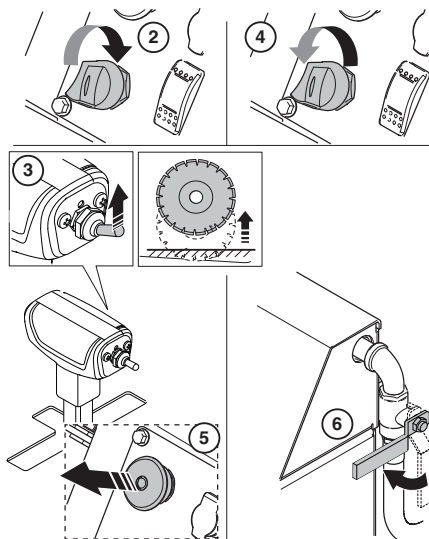


Montaggio della lama

AVVERTENZA! Porre sempre l'interruttore di avviamento motore su OFF prima di installare la lama.

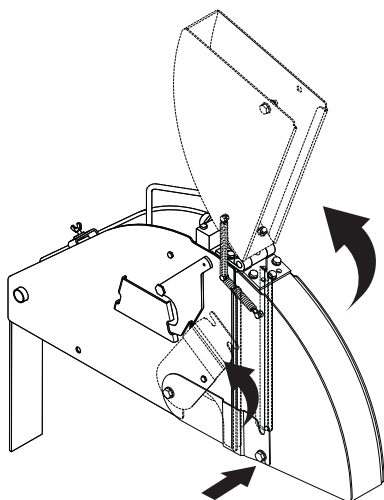
NOTA! Controllare il senso di rotazione del disco. La freccia sulla lama e sulla protezione lama indica il senso di rotazione.

- 1 Trasportare la macchina all'interno dell'area di taglio e controllare l'ambiente circostante secondo quanto indicato nel paragrafo Sicurezza dell'area di taglio.
- 2 Portare l'interruttore di avviamento del motore in posizione di accensione.
- 3 Sollevare la tagliasuolo utilizzando l'interruttore di sollevamento/abbassamento sulla leva di comando marcia avanti/retromarcia.
- 4 Porre l'interruttore di avviamento del motore su OFF.
- 5 Premere il pulsante di arresto macchina sul pannello di comando.
- 6 Disattivare la valvola dell'acqua.



FUNZIONAMENTO

- Allentare il bullone anteriore della protezione lama e sollevare il fermo della protezione lama.
- Sollevare la parte anteriore della protezione lama.

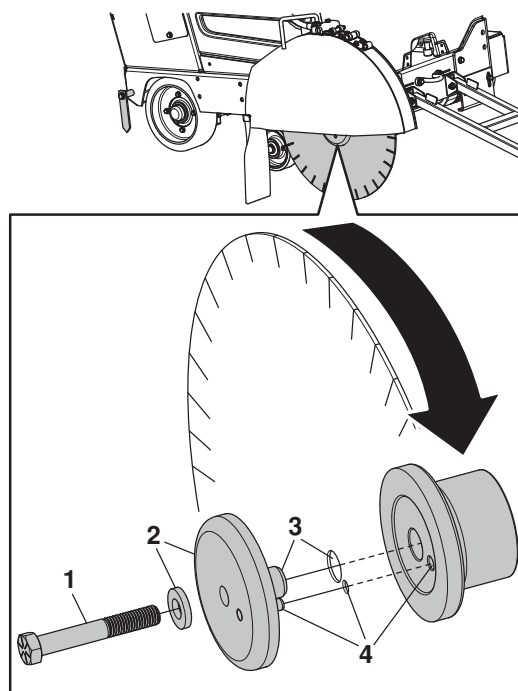


AVVERTENZA! Verificare che la lama, le relative flange e l'albero non presentino danni. Pulire le superfici di contatto della lama e delle flange. Prima di montare la lama sulla macchina, assicurarsi che la lama e le flange siano pulite e prive di sporco e detriti.

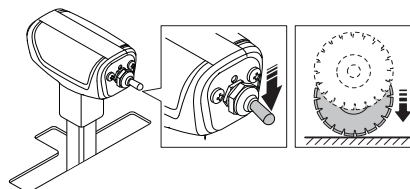
Il bullone dell'albero della lama sul lato destro della tagliasuolo ha filettature sinistrorse e il bullone dell'albero della lama sul lato sinistro della tagliasuolo ha filettature destrorse. Sostituire il bullone dell'albero della lama e la rondella piana quando sono usurati o danneggiati.

- 1 Allentare bullone dell'albero della lama utilizzato per bloccare la lama tra la flangia interna e la flangia esterna.
- 2 Rimuovere la flangia esterna e la rondella piana.
- 3 Montare la lama diamantata sull'albero della flangia esterna.
- 4 Montare la flangia esterna con la lama preinstallata sulla flangia interna, assicurandosi che la spina di bloccaggio passi attraverso la lama diamantata e sia inserita all'interno della flangia interna. Utilizzare sempre una rondella piana con il bullone dell'albero della lama. Ruotare la flangia esterna e la lama nella direzione opposta al senso di rotazione della lama per eliminare il gioco.

- Montare e serrare il bullone dell'albero della lama e la rondella piana servendosi dell'apposita chiave e tenendo saldamente ferma la lama.



Abbassare la tagliasuolo premendo verso il basso l'interruttore di sollevamento/abbassamento sulla leva di comando marcia avanti/retromarcia finché la lama non tocca la superficie da tagliare.

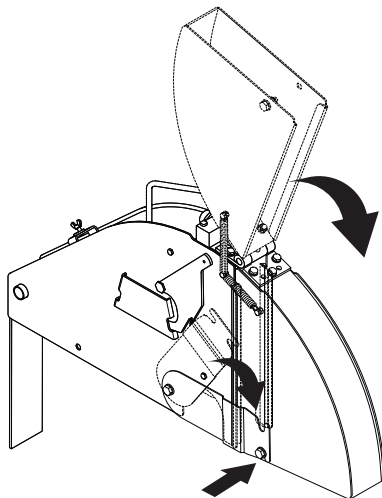


ATTENZIONE! Il contatto deve essere dolce, in modo da non danneggiare la lama. Utilizzare la manopola di controllo della velocità di abbassamento della tagliasuolo per rallentare la velocità di abbassamento. Non permettere mai che il peso anteriore della macchina sia sostenuto dalla lama poiché causerebbe danni alla lama stessa.

- Serrare a fondo il bullone dell'albero della lama utilizzando l'apposita chiave; la resistenza tra la lama diamantata e il suolo aiuta a ottenere il corretto serraggio finale.

FUNZIONAMENTO

- Abbassare la parte anteriore della protezione lama e posizionare il fermo della protezione lama sul relativo bullone anteriore. Serrare il bullone anteriore della protezione lama.



NOTA! Non azionare la tagliasuolo se il fermo non è innestato e il bullone non è serrato. Non utilizzare in caso di danni.

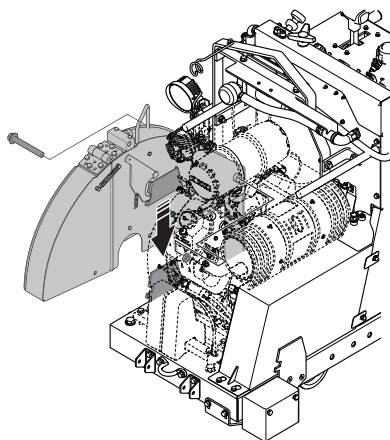
- Testare il funzionamento della macchina e verificare che non vengano emessi suoni insoliti. L'eventuale presenza di suoni insoliti è segno di una lama montata in modo errato.

Montaggio della protezione lama

Le protezioni lama a innesto sono fissate tramite un dispositivo di bloccaggio della protezione lama che blocca la metà posteriore della protezione lama.

Non utilizzare mai la tagliasuolo se il dispositivo di bloccaggio non è innestato. Controllare regolarmente le protezioni lama e i relativi dispositivi di bloccaggio. Non utilizzare in caso di danni.

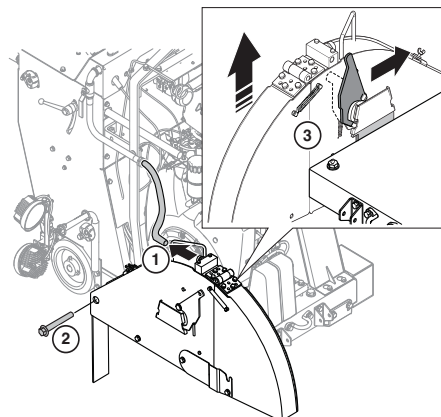
Abbassare la protezione della lama sull'elemento di supporto e applicare una leggera forza per spingere verso il basso la protezione fino a innestare il blocco.



Smontaggio della protezione lama

- 1 Disinserire il tubo dell'acqua dalla protezione lama.
- 2 Rimuovere il bullone che fissa la protezione della lama.

- 3 Spostare in avanti il blocco della protezione della lama fino all'arresto e all'apertura. Sollevare la protezione della lama, con la relativa maniglia, dall'elemento di supporto fino a staccarla.



Profondità di taglio della lama

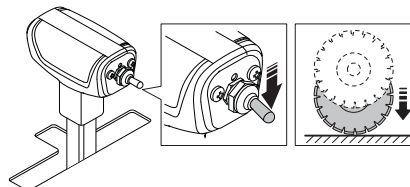
Questa tagliasuolo è dotata di un indicatore di profondità della lama che segnala la profondità a cui la lama effettua il taglio. La tagliasuolo è dotata di un arresto di profondità della lama che ferma la lama alla profondità specificata per il taglio.

Per ulteriori informazioni sulla massima profondità di taglio per le varie dimensioni della lama, vedere la sezione 'Lame'

Uso dell'indicatore di profondità della lama

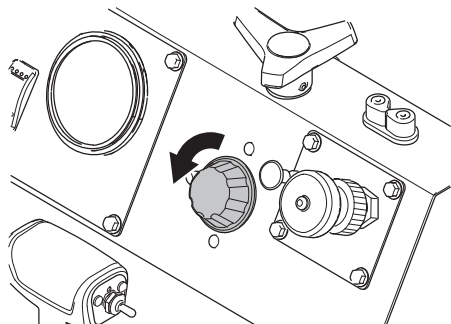
NOTA! Eseguire il taglio solo fino alla profondità indicata dalle specifiche del lavoro poiché un taglio a profondità maggiori può causare problemi di resistenza strutturale.

- Se il motore è acceso, portare l'interruttore di avviamento motore su OFF per spegnerlo.
- Porre l'interruttore di avviamento del motore su ON.
- Abbassare la tagliasuolo premendo verso il basso l'interruttore di sollevamento/abbassamento sulla leva di comando marcia avanti/retromarcia finché la lama non tocca la superficie da tagliare. Questo sarà il punto di riferimento.



FUNZIONAMENTO

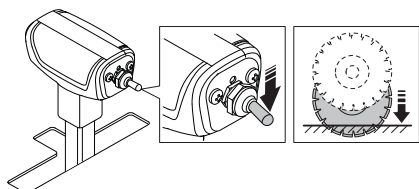
- Ruotare il pomello dell'indicatore di profondità della lama in posizione zero. Quando la lama viene abbassata sulla superficie, la profondità di taglio della lama viene segnalata sull'indicatore di profondità.



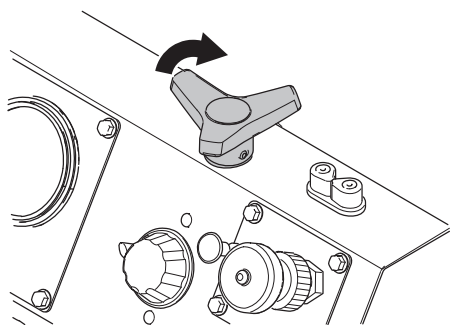
ATTENZIONE! Il contatto deve essere dolce, in modo da non danneggiare la lama. Utilizzare la manopola di controllo della velocità di abbassamento della tagliasuolo per rallentare la velocità di abbassamento.

Uso dell'arresto di profondità della lama

- Abbassare la tagliasuolo premendo verso il basso l'interruttore di sollevamento/abbassamento sulla leva di comando marcia avanti/retromarcia finché la lama non raggiunge la profondità richiesta (segnalata sull'indicatore di profondità della lama).



- Impostare l'arresto di profondità della lama ruotando il pomello in senso orario fino a serrarlo. A questo punto, si è impostata la massima profondità di taglio. Se, per qualunque motivo, la tagliasuolo è sollevata dalla superficie di taglio, ora è possibile abbassarla alla profondità specificata inserendo la lama nella superficie di taglio tramite l'interruttore di sollevamento/abbassamento della leva di controllo del regime.



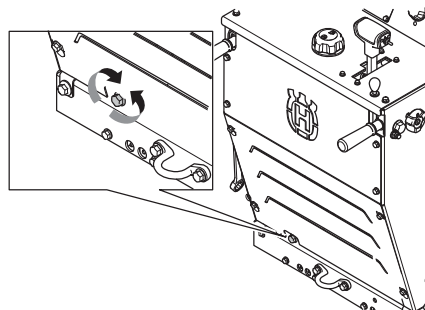
Taglio in linea retta

Durante il taglio, la lama oppone resistenza alla forza motrice delle ruote posteriori, causando l'imbardata della macchina nella stessa direzione in cui è montata la lama. Questo effetto può essere contrastato regolando l'angolo dell'asse posteriore per mezzo della regolazione manuale.

Regolazione posteriore dell'asse

NOTA! Anzitutto, allentare i bulloni sull'assale posteriore e la console sul motore ruota.

- L'asse posteriore viene regolato utilizzando una chiave da 18 mm per ruotare il bullone di regolazione situato nella parte posteriore sinistra inferiore del telaio della tagliasuolo.
- Se la tagliasuolo sterza verso destra durante il taglio, ruotare il bullone di regolazione in senso antiorario.
- Se la tagliasuolo sterza verso sinistra durante il taglio, ruotare il bullone di regolazione in senso orario.

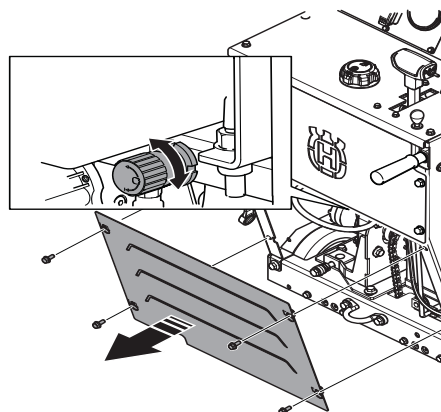


Impianto idraulico

L'impianto idraulico di questa tagliasuolo è utilizzato per sollevare o abbassare la lama diamantata e per far avanzare la tagliasuolo o spingerla all'indietro per farla procedere in retromarcia.

L'impianto idraulico è composto da una trasmissione idrostatica, da una pompa di sollevamento c.c. con valvola di controllo flusso e da un cilindro di sollevamento idraulico.

- La velocità di abbassamento della tagliasuolo è regolabile per mezzo della valvola di controllo flusso. Se la tagliasuolo scende troppo rapidamente, ruotare il pomello sulla valvola di controllo flusso in senso orario fino a impostare una velocità di abbassamento adeguata.



Trasporto e rimessaggio

- Smontare la lama prima del trasporto o del rimessaggio della macchina per evitare di danneggiare la lama.
- Rimuovere tutti gli strumenti di regolazione e le chiavi
- Chiudere la valvola di esclusione del carburante.



AVVERTENZA! Rimuovere il disco di taglio prima di sollevare, caricare, scaricare o trasportare la macchina.

FUNZIONAMENTO

Trasporto



AVVERTENZA! Rimuovere sempre il disco di taglio prima del trasporto della macchina al di fuori dell'area di taglio.

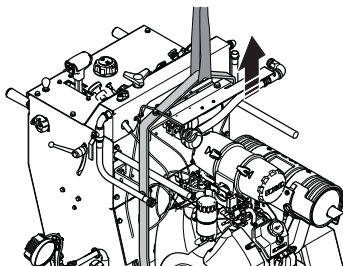


AVVERTENZA! Prestare la massima attenzione nel caso in cui la tagliasuolo debba affrontare delle rampe a motore acceso, sia in salita sia in discesa. Per rampe ripide, utilizzare sempre un argano. Non restare mai sotto la macchina. Posizionarsi sempre di lato.

- Per scendere una rampa, spostare lentamente la tagliasuolo in retromarcia.
- Per salire una rampa, spostare lentamente la tagliasuolo in avanti.

Sollevamento della tagliasuolo

- Prestare attenzione durante le operazioni di sollevamento. In sede di movimentazione di pezzi pesanti sussiste il rischio di schiacciamento e altri danni.
- Per sollevare la macchina, usare sempre l'occhio per il sollevamento.



Per il trasporto su veicolo

- Assicurare le attrezzature durante il trasporto per evitare danni di trasporto e incidenti. Utilizzare gli elementi di ancoraggio anteriore e posteriore montati in fabbrica sulla tagliasuolo per impedire il movimento durante il trasporto.
- Non trainare la tagliasuolo con un altro veicolo, tale operazione potrebbe infatti danneggiare i componenti del sistema di trasmissione.

Rimessaggio

Conservate l'attrezzatura in un luogo chiuso a chiave e quindi lontano dalla portata di bambini e di persone non autorizzate.

- Spegner il motore ruotando l'interruttore di avviamento del motore in posizione STOP.
- Porre la leva di comando marcia avanti/retromarcia in posizione di arresto/folle.

Per il trasporto e la conservazione del carburante e della batteria, vedere le sezioni 'Gestione del carburante' e 'Manipolazione della batteria'.

Per il trasporto e la conservazione dei dischi di taglio, vedere la sezione "Dischi di taglio".

Stoccaggio a lungo termine

Accertarsi che la macchina sia ben pulita e che sia stata sottoposta a tutte le operazioni di assistenza prima di ogni rimessaggio a lungo termine. Leggere il manuale di istruzioni del motore per maggiori informazioni sulla conservazione a lungo termine.

- Rimuovere la lama per il rimessaggio e conservarla con cura.

Chiudere la valvola di esclusione del carburante e re-installare il coperchio di protezione posteriore.

- Lubrificare tutti gli ingrassatori prima del rimessaggio.
- Scollegare il morsetto negativo e fissarlo a distanza di sicurezza dalla batteria.
- Effettuare una carica di mantenimento della batteria in caso di rimessaggio a lungo termine.
- In caso di rimessaggio della macchina per un periodo prolungato il serbatoio del carburante va svuotato. Per l'eliminazione dei resti inutilizzati di carburante rivolgersi al più vicino distributore di benzina.
- Conservare la macchina e i suoi accessori in un luogo asciutto e protetto dal gelo.
- Coprire la macchina se viene lasciata all'esterno.
- Cambiare l'olio motore dopo il rimessaggio a lungo termine

AVVIAMENTO E ARRESTO

Prima dell'avviamento



AVVERTENZA! Prima di usare la macchina, leggere per intero le istruzioni per l'uso e accertarsi di averne compreso il contenuto.

Usare sempre abbigliamento protettivo. Vedi istruzioni alla voce **Abbigliamento protettivo**.

Verificare che nella zona operativa non siano presenti persone non addette ai lavori, che sarebbero esposte al rischio di gravi lesioni.

- Eseguire la manutenzione giornaliera. Seguire le istruzioni riportate nella sezione 'Manutenzione e assistenza'.
- All'avviamento della macchina, verificare che la lama non tocchi nulla.

NOTA! Leggere il Manuale dell'operatore fornito dal produttore del motore.

Primo avviamento

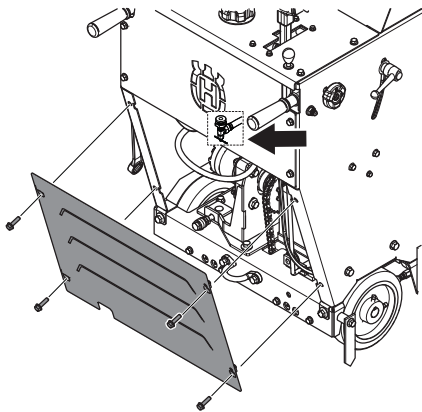
- Controllare il livello dell'olio motore senza lama e con la tagliasuolo in posizione orizzontale.
- Collegare i cavi della batteria. La tagliasuolo è fornita senza cavi della batteria collegati.

In alcuni mercati, le batterie non vengono fornite per motivi di sicurezza durante il trasporto. Montare una batteria nuova.

Per ulteriori informazioni, consultare la sezione "Dati tecnici".

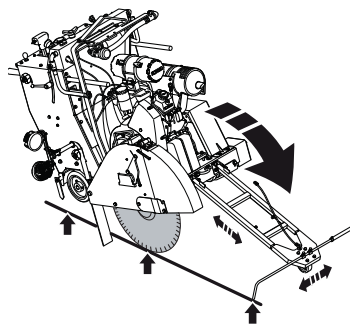
Questa macchina è dotata di una valvola di esclusione del carburante. Per avviare la macchina la prima volta:

- Riempire il serbatoio del carburante.
- Rimuovere il coperchio di protezione posteriore e aprire la valvola di esclusione del carburante.



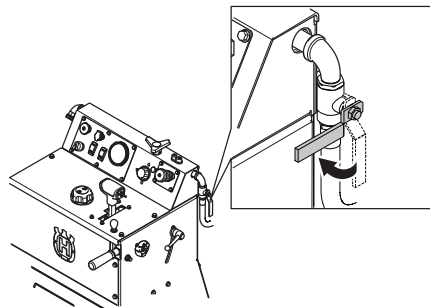
- Reinstallare il coperchio di protezione posteriore.

- Abbassare la guida anteriore, quindi allineare la guida anteriore, la guida posteriore e la lama diamantata alla linea sulla superficie. La guida anteriore è telescopica, regolare la lunghezza tramite le viti sulla parte interna della guida anteriore.

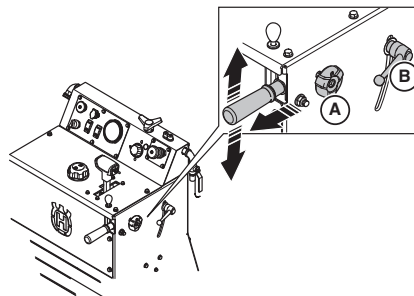


Avviamento

- Collegare la macchina a una fonte di approvvigionamento dell'acqua. Disattivare la valvola dell'acqua.

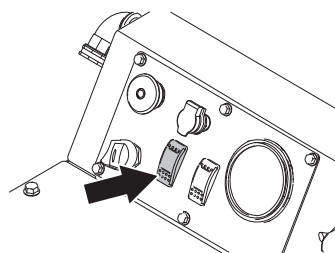


- Contrassegnare la superficie da tagliare tracciando una linea laddove dev'essere effettuato il taglio.
- Regolare i manubri alla lunghezza e all'altezza desiderate e serrare le manopole.



Avviamento del motore

- Per avviare la sega quando non è presente la pressione dell'acqua, portare l'interruttore di sicurezza dell'acqua in posizione OFF.

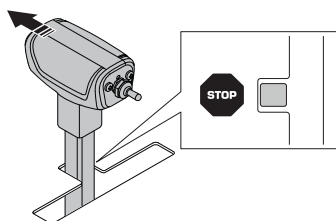


AVVIAMENTO E ARRESTO

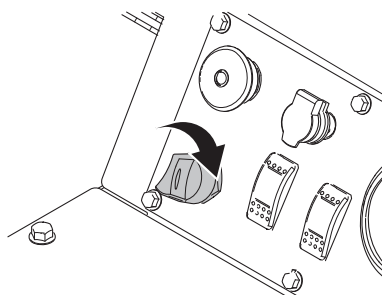
Sistema di sicurezza dell'acqua

L'acqua viene utilizzata per impedire il surriscaldamento della lama e, contemporaneamente, per tenere sotto controllo la polvere generata durante il taglio. Il sistema di sicurezza dell'acqua monitora la pressione dell'acqua fornita alla macchina e interrompe il processo di taglio se la pressione scende.

- Portare la leva di comando marcia avanti/retromarcia nella posizione di arresto/folle. Il motore non si avvia se la leva non si trova precisamente nella posizione di arresto/folle.



- Avviamento del motore.



- Lasciare che il motore si riscaldi per alcuni minuti con l'acceleratore a regime minimo.

Non far scaldare la macchina al di fuori dell'area di taglio, quando la lama è montata sulla macchina. Per montare la lama, vedere le istruzioni alla sezione Montaggio della lama.

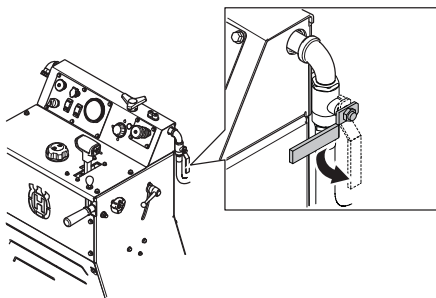
Iniziare il taglio



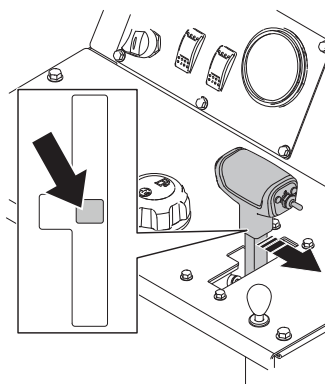
AVVERTENZA! Non utilizzare mai lame omologate per un regime inferiore a quello della troncatrice. Assicurarsi che la lama sia montata correttamente.

NOTA! Consultare la tabella per l'albero della lama appropriato e i regimi del motore specifici per le dimensioni della lama.

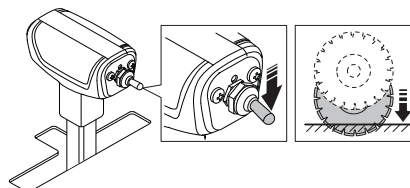
- Eseguire una prova per verificare che il flusso d'acqua sia adeguato. Un flusso d'acqua insufficiente può causare danni alle lame diamantate. Azionare l'interruttore di sicurezza dell'acqua sul pannello di comando e aprire la valvola dell'acqua.



- Spostare la leva di comando marcia avanti/retromarcia nella posizione di innesto.

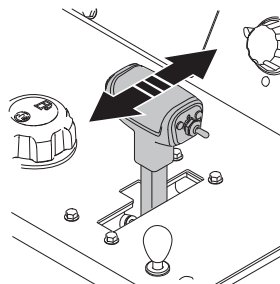


- Impostare il pomello dell'acceleratore del motore al regime massimo.
- Abbassare la lama premendo l'interruttore di sollevamento/abbassamento sulla leva di comando marcia avanti/retromarcia finché la lama non è alla profondità di taglio desiderata. Per ulteriori informazioni, vedere la sezione 'Profondità di taglio della lama'.



ATTENZIONE! In caso di abbassamento della lama in un taglio parziale, allineare esattamente la lama al taglio per evitare danni alla lama.

- Spostare la sega in avanti premendo lentamente la leva di comando marcia avanti/retromarcia. Ascoltare il rumore del motore. Se il motore inizia a rallentare, compensare tirando all'indietro la leva di comando marcia avanti/retromarcia per diminuire l'alimentazione ed evitare l'arresto della lama. Assicurarsi che la guida anteriore, la guida posteriore e la lama diamantata rimangano allineate alla linea sulla superficie.



AVVIAMENTO E ARRESTO

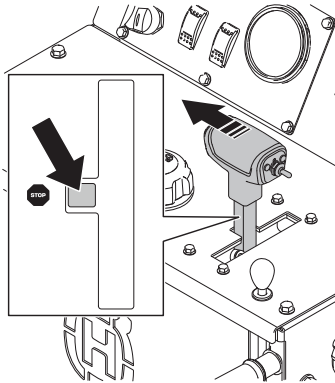
Arresto



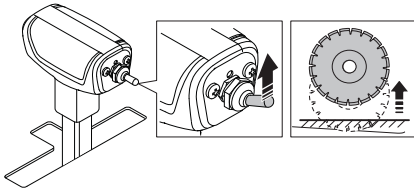
AVVERTENZA! Tenere sempre tutte le parti del corpo lontano dalla lama e da qualsiasi parte in movimento.

Arrestare il taglio.

- Porre la leva di comando marcia avanti/retromarcia in posizione di arresto/folle.

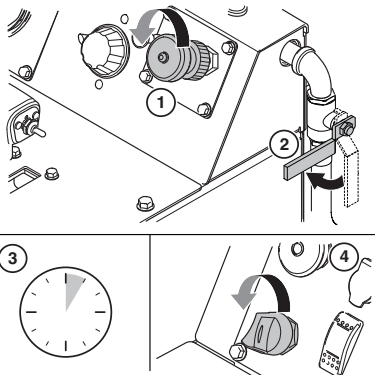


- Sollevare la lama diamantata ed estrarla dal taglio tirando verso l'alto l'interruttore di sollevamento/abbassamento sulla leva di controllo del regime finché la lama diamantata non è sollevata dalla superficie.




Spegnere il motore

- 1 Ruotare il pomello dell'acceleratore del motore nella posizione di regime minimo.
- 2 Disinserire la valvola dell'acqua.
- 3 Lasciar girare il motore al minimo per alcuni minuti prima di spegnerlo. Effettuare quest'operazione nell'area di taglio e non lasciare mai la macchina incustodita.
- 4 Spegner il motore ruotando l'interruttore di avviamento del motore in posizione STOP.



Generalità



AVVERTENZA! La maggior parte degli incidenti relativi ai macchinari avviene durante la ricerca guasti, la riparazione e la manutenzione in quanto il personale deve introdursi nell'area di rischio. Prevenite gli incidenti mantenendo viva l'attenzione e pianificando e preparando il lavoro.

Se gli interventi di manutenzione richiedono che il motore sia in funzione, fare attenzione ai possibili pericoli quando si lavora con o in prossimità di parti mobili.

Eseguire gli interventi di manutenzione ed assistenza attenendosi a quanto indicato nel Manuale dell'Operatore, onde evitare interruzioni e conservare il valore della macchina.

Eseguire inoltre la manutenzione dell'attrezzatura e degli utensili supplementari della macchina.

L'utilizzatore può eseguire solo le operazioni di manutenzione e assistenza descritte in questo manuale delle istruzioni. Per operazioni di maggiore entità rivolgersi ad un'officina autorizzata.

Utilizzare esclusivamente ricambi originali per le riparazioni.

Misure da porre in essere prima di eseguire manutenzione, assistenza e ricerca guasti.

Generalità

- Assicurarsi che la macchina si trovi in un'area sicura.
- Prima di cominciare, parcheggiare sempre la macchina su una superficie piana con il motore spento e l'interruttore di avviamento del motore in posizione STOP. Premere il pulsante di arresto macchina sul pannello di comando.
- Diversi componenti si surriscaldano durante l'uso della macchina. Non eseguire alcun intervento di assistenza o di manutenzione finché la macchina non si sia raffreddata.
- Utilizzare dei simboli chiari per far presente alle persone nelle vicinanze che sono in corso interventi di manutenzione.
- Assicuratevi che l'area operativa sia sufficientemente illuminata in modo da creare un ambiente di lavoro sicuro.
- Controllare l'ubicazione di estintori, materiale medico e telefono per le emergenze.
- Rimuovere il disco di taglio prima di eseguire qualsiasi operazione di manutenzione, assistenza o la ricerca guasti.


Abbigliamento protettivo

- Usare sempre abbigliamento protettivo. Vedi istruzioni alla voce Abbigliamento protettivo.

Ambiente di lavoro

- L'area attorno alla macchina deve essere libera da sporcizia, in modo da ridurre al minimo il rischio di slittamento.

Pulizia



ATTENZIONE! Durante la pulizia della macchina vi è il rischio, ad esempio, che sporcizia e sostanze nocive entrino a contatto con gli occhi.

Sporcizia e sostanze nocive possono fuoriuscire dalla macchina quando si utilizzano dispositivi ad alta pressione.

Un getto d'acqua o aria ad alta pressione può penetrare sottopelle e causare gravi lesioni. Non dirigere mai un getto ad alta pressione verso la pelle.

Dopo ogni utilizzo, pulire la macchina quando si è raffreddata.

Metodo di pulizia

Il metodo di pulizia varia in base al tipo di contaminanti e al grado di sporco della macchina. È possibile utilizzare un detergente sgrassante delicato. Evitare il contatto con la pelle. Usare dispositivi ad alta pressione per pulire la macchina.

Pulizia dei componenti

Alcuni componenti necessitano di un'attenzione particolare durante la pulizia.

NOTA! Non utilizzare dispositivi ad alta pressione per pulire il pannello di comando.

Motore

- Mantenere una distanza di almeno 40 cm tra l'ugello e il motore e i suoi componenti. Non spruzzare in modo troppo aggressivo sul motore per evitare di danneggiare i componenti elettrici, ad es. i connettori elettrici e l'alternatore. Non spruzzare l'acqua direttamente nel tubo di scarico o nel filtro dell'aria del motore.

Dopo il lavaggio

- Lubrificare tutti i punti di lubrificazione della macchina.
- Asciugare i terminali elettrici con aria compressa.
- Lasciar asciugare completamente la macchina prima di avviarla.
- Prestare attenzione durante l'accensione della macchina dopo il lavaggio. Se un qualsiasi componente è stato danneggiato a causa dell'umidità, i movimenti della macchina potrebbero essere difettosi.

MANUTENZIONE E ASSISTENZA

Programma di assistenza

Il programma di assistenza è basato sul tempo di funzionamento della macchina. Quando si lavora in ambienti polverosi o surriscaldati e in concomitanza con lavori che producono temperature elevate, sono necessari degli intervalli di manutenzione più frequenti. Una descrizione di come devono essere eseguite le operazioni si trova nel registro di assistenza.

Per i requisiti di determinati interventi di manutenzione, fare riferimento agli intervalli di manutenzione indicati nel programma di assistenza riportato di seguito e prendere nota del successivo intervento di manutenzione previsto. La macchina tiene un registro delle ore di funzionamento, che può essere visualizzato sul display.

- Prima di effettuare qualsiasi intervento di manutenzione, parcheggiare sempre la macchina su una superficie piana con il motore spento e l'interruttore di avviamento del motore in posizione STOP. Premere il pulsante di arresto macchina sul pannello di comando.

Prima di usare la macchina, leggere attentamente il manuale del motore della macchina e accertarsi di averne compreso il contenuto. Nel manuale del motore sono specificati alcuni intervalli di manutenzione.

Manutenzione giornaliera

Eseguire inoltre interventi di manutenzione giornaliera dopo il trasporto.

	Ogni giorno	50 ore	100 ore	250 ore	500 ore	Una volta l'anno
Controllo di eventuali perdite di olio e carburante.	X					
Controllare il livello olio motore	X					
Controllare che la protezione lama non sia danneggiata	X					
Controllare che i tubi e le fascette non siano danneggiati o allentati. Serrare o sostituire secondo necessità.	X					
Controllare l'indicatore di intasamento del filtro dell'aria. Pulire il filtro dell'aria esterno se l'indicatore è rosso.	X					
Assicurarsi che tutti i dispositivi di sicurezza siano presenti e in buone condizioni.	X					
Controllare la nebulizzazione dell'acqua sulla lama diamantata.	X					
Sostituire l'olio motore e il filtro*		X				
Lubrificare le ruote anteriori		X				
Lubrificare l'albero della lama (2 applicazioni su ciascuna estremità)		X				
Controllare l'eventuale usura della cinghia di trasmissione.		X				
Sostituire l'olio motore e il filtro*			X			
Lubrificare i cuscinetti dell'asse pivotante anteriore			X			
Controllare la presenza di usura e danni sulle ruote.			X			
Controllare che le ruote posteriori non siano allentate			X			
Controllare il tubo e le fascette del filtro dell'aria del motore			X			
Controllare il livello dell'olio dell'impianto idraulico			X			
Lubrificare il perno pivotante del cilindro idraulico.				X		
Lubrificare il cuscinetto dell'asse posteriore.				X		
Cambiare l'olio dell'impianto idraulico					X	
Sostituire il filtro del carburante del motore (tipo a vite)					X	
Sostituire il filtro dell'aria esterno e interno						X

* La prima volta dopo 50 ore, poi ogni 100 ore

MANUTENZIONE E ASSISTENZA

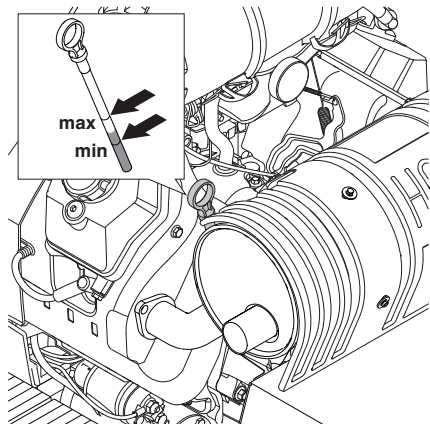
Manutenzione giornaliera



AVVERTENZA! Controllo e/o manutenzione devono essere effettuati a motore spento.

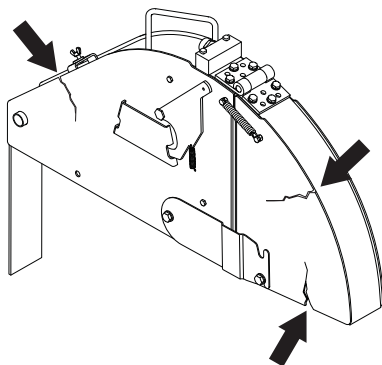
Controllare il livello dell'olio motore senza lama e con la tagliasuolo in posizione orizzontale.

- Controllare il livello dell'olio motore.
- Assicurarsi che il livello sia compreso tra i limiti.



Controllare che la protezione lama non sia danneggiata

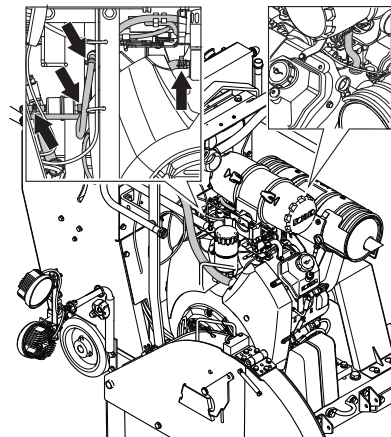
- Controllare che la protezione lama non presenti crepe.



- Non utilizzare mai una protezione lama rotta o danneggiata.

Controllare che tutti i tubi e le fascette non siano danneggiati o allentati.

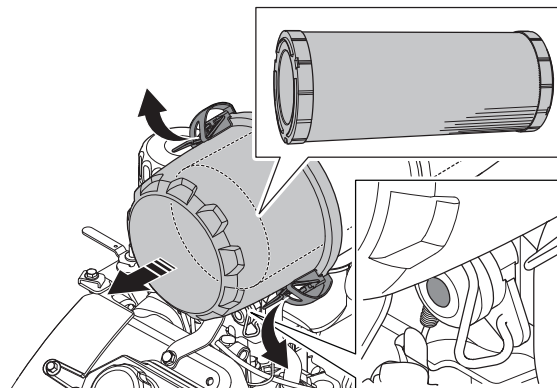
Nell'immagine sono mostrati solo alcuni tubi e fascette.



- Controllare che non vi siano perdite sul circuito del carburante e nell'impianto idraulico. Serrare o sostituire secondo necessità.

Controllare l'indicatore di intasamento del filtro dell'aria.

- Controllare e pulire il filtro dell'aria esterno se il relativo indicatore è rosso: smontare il coperchio posteriore aprendo le 2 fascette di bloccaggio dell'alloggiamento del filtro dell'aria e rimuoverlo.



- Un filtro danneggiato va sostituito immediatamente.



ATTENZIONE! Quando si sostituisce il filtro, è possibile che si sprigioni della polvere nociva alla salute. Indossare protezioni respiratorie omologate. Smaltire in modo appropriato i filtri usati.

Il filtro non deve essere pulito con aria compressa, per evitare di danneggiarlo. Per la pulizia, i filtri possono essere aspirati, evitando di colpire o trascinare i componenti a livello della superficie per non danneggiarli. Non utilizzare un lavaggio ad alta pressione, il filtro si danneggia.

Il filtro deve essere lavato completamente a secco prima di essere riposto sull'apparecchio.

Coperchi di protezione

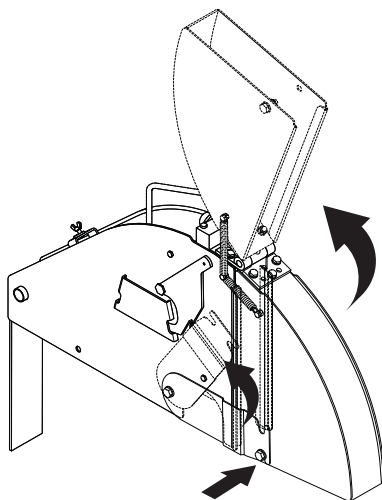
- Accertarsi che tutti i coperchi di protezione siano in posizione e in buone condizioni.

Per ulteriori informazioni, vedere la sezione 'Dispositivi di sicurezza della macchina'.

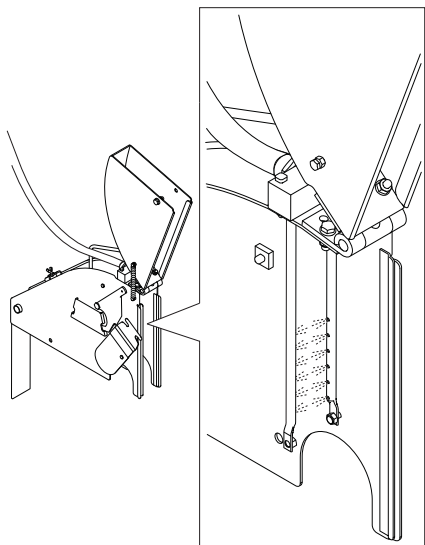
MANUTENZIONE E ASSISTENZA

Controllare la nebulizzazione dell'acqua sulla lama diamantata.

- Sollevare la parte anteriore della protezione lama e bloccarla in posizione verticale con il perno a sgancio rapido.



- Aprire la valvola dell'acqua sul pannello di comando. Accertarsi che i getti d'acqua che fuoriescono dai fori sui tubi dell'acqua siano diretti con precisione su entrambi i lati della lama e che non vi siano perdite. Sostituire il tubo dell'acqua se è danneggiato.

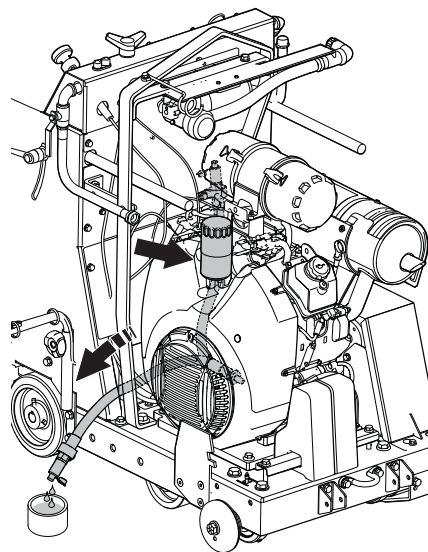


Dopo le prime 50 ore

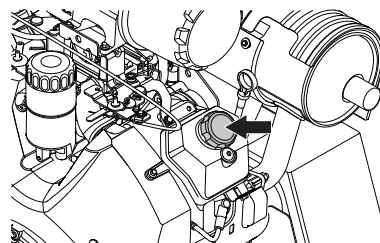
Sostituire l'olio motore e il filtro

- Rimuovere il tappo superiore dal tubo. Aprire la valvola e orientarla verso il basso per svuotare l'impianto.
Rimuovere il filtro e sostituirlo.

Lubrificare la guarnizione con poche gocce di olio prima di rimontarla.



- Rabboccare il sistema con olio.



- Controllare il livello dell'olio motore, seguire le istruzioni riportate nella sezione 'Manutenzione giornaliera'.

Dopo 50 ore

Tensionamento automatico della cinghia di trasmissione dell'albero della lama

La macchina è dotata di un dispositivo dinamico di tensionamento della cinghia che non richiede alcuna regolazione o manutenzione.

Il tensionamento corretto è preimpostato durante il montaggio in fase di produzione. Tuttavia, se è necessario sostituire la cinghia o altri componenti, si consiglia di attenersi alle 6 fasi sottostanti per una procedura corretta.

Utensili richiesti

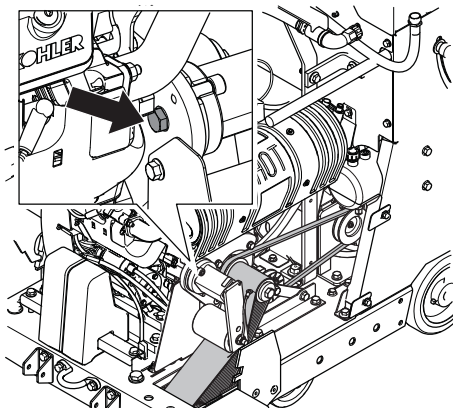
- Chiave da 13 mm (non in dotazione con la macchina)
- Chiave da 19 mm (non in dotazione con la macchina)
- Chiave regolabile (non in dotazione con la macchina)
- Chiave Allen, 8 mm (non in dotazione con la macchina)

Per allentare la tensione della cinghia

- Utilizzare una chiave da 13 mm per allentare 4 bulloni M8 che fissano il carter della cinghia. Rimuovere il carter della cinghia.
- Utilizzare la chiave a brugola per rimuovere la vite a testa esagonale (vite di fissaggio).

MANUTENZIONE E ASSISTENZA

- Utilizzare una chiave da 19 mm per allentare leggermente la vite di fissaggio del dispositivo di tensionamento sulla piastra.



Per impostare la tensione corretta

- Usare una chiave regolabile per ruotare la base del dispositivo di tensionamento in senso antiorario al fine d'impostare il pretensionamento necessario. Quando l'angolo sul dispositivo di tensionamento è di 25° e la fessura alla base del dispositivo di tensionamento è allineata con il foro della piastra: serrare la vite di fissaggio impiegando una chiave da 19 mm.
- Riavvitare la vite a testa esagonale utilizzando una chiave a brugola.
- Rimontare il carter della cinghia. Utilizzare una chiave da 13 mm per serrare 4 bulloni M8 che fissano il carter della cinghia.



ATTENZIONE! Sostituire sempre le cinghie poli-V se usurate o danneggiate.

Lubrificare l'albero della lama (2 applicazioni su ciascuna estremità)

Seguire le istruzioni riportate nella sezione 'Lubrificazione'.

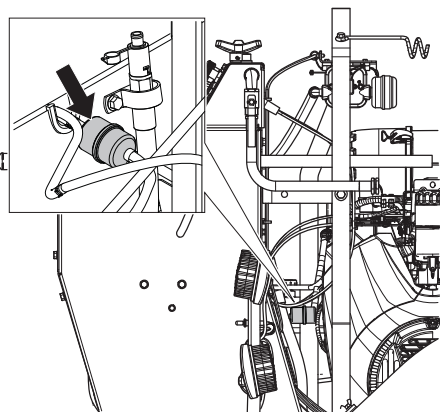
Lubrificare le ruote anteriori

Seguire le istruzioni riportate nella sezione 'Lubrificazione'.

Manutenzione dopo 100 ore

Sostituire il filtro del carburante del motore (tipo in linea)

- Chiudere la valvola di esclusione del carburante sul serbatoio del carburante. Rimuovere il filtro del carburante sganciandolo dalla tubazione del carburante. Sostituire il filtro del carburante. Fare attenzione alle fuoriuscite di carburante.



Sostituire l'olio motore e il filtro

Seguire le istruzioni riportate nella sezione 'Dopo le prime 50 ore'.

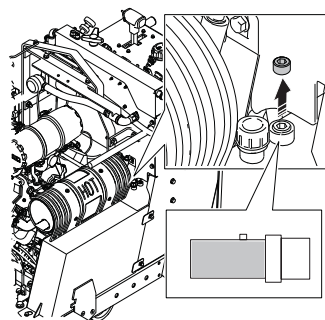
Controllare la presenza di usura e danni sulle ruote.

Controllare che le ruote posteriori non siano allentate.

Controllare il tubo e le fascette del filtro dell'aria del motore

Controllare il livello dell'olio dell'impianto idraulico

- Accertarsi che la macchina sia completamente abbassata.
- Rimuovere il tappo dal foro di ispezione sul serbatoio idraulico. Il livello deve raggiungere il bordo inferiore del foro sul serbatoio idraulico, rabboccare se necessario.



NOTA! Non riempire eccessivamente!

Lubrificare i cuscinetti dell'asse pivotante anteriore

Seguire le istruzioni riportate nella sezione 'Lubrificazione'.

Dopo 250 ore

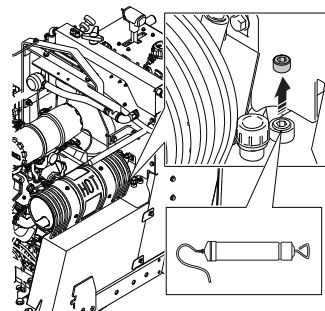
Lubrificare il cuscinetto dell'asse posteriore.

Seguire le istruzioni riportate nella sezione 'Lubrificazione'.

Dopo 500 ore

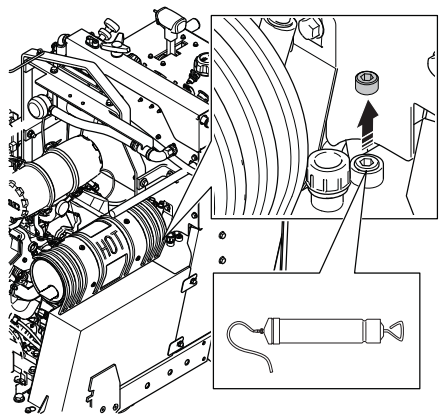
Cambiare l'olio dell'impianto idraulico

- Accertarsi che la macchina sia completamente abbassata.
- Rimuovere il tappo dal foro di ispezione sul serbatoio idraulico e utilizzare un estrattore d'olio per aspirare l'olio attraverso il foro di ispezione.



MANUTENZIONE E ASSISTENZA

- Riempire il serbatoio con olio nuovo. Accertarsi che la macchina sia completamente abbassata.

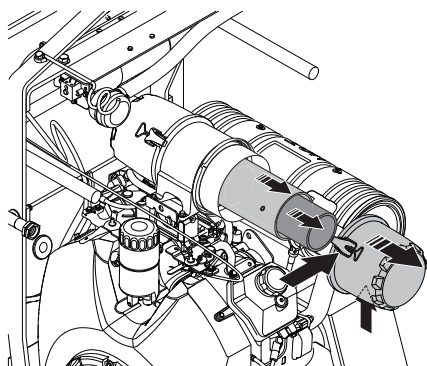


NOTA! Non riempire eccessivamente!

Manutenzione annuale

Sostituire il filtro dell'aria esterno e interno

Smontare il coperchio posteriore aprendo le 2 fascette di bloccaggio dell'alloggiamento del filtro dell'aria e rimuoverlo. Sostituire entrambi i filtri e rimontarli in ordine inverso.



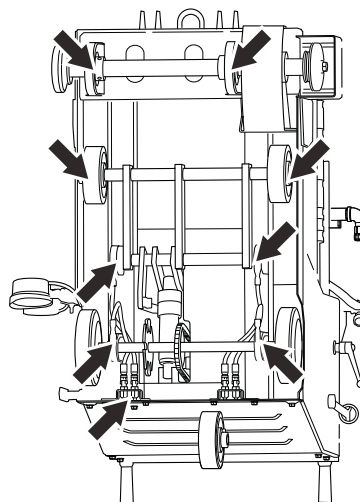
ATTENZIONE! Le 2 fascette dell'alloggiamento del filtro dell'aria non si chiudono se il filtro dell'aria esterno non è montato correttamente.

Lubrificazione

L'immagine mostra tutti i punti di lubrificazione (8 ingrassatori). Pulire l'ingrassatore. Sostituire gli ingrassatori rotti o bloccati.

- Lubrificare le ruote anteriori.
- Lubrificare i cuscinetti dell'asse pivotante anteriore.
- Lubrificare l'albero della lama. Due applicazioni su ciascuna estremità.
- Lubrificare il cuscinetto dell'asse posteriore.

Lubrificare l'albero della lama sulla parte superiore della piastra di base.



Smaltimento, rottamazione

Questo prodotto deve essere smaltito presso un centro di riciclaggio appropriato in conformità ai requisiti locali. Smaltendo correttamente questo prodotto si contribuisce a ridurre l'impatto ambientale e sulla salute che potrebbe verificarsi in caso di procedure di smaltimento errate. Per maggiori informazioni sul riciclaggio di questo prodotto, rivolgersi al proprio comune, al centro di raccolta rifiuti locale o al rivenditore.



RICERCA DEI GUASTI

Incidenti durante il taglio

ATTENZIONE! Se il motore o la lama si arrestano per qualsiasi motivo, sollevare completamente la lama dal taglio. Portare l'interruttore di avviamento del motore in posizione STOP. Premere il pulsante di arresto macchina sul pannello di comando. Ispezionare accuratamente la macchina prima di riavviare il motore.

- Affidare tutte le riparazioni esclusivamente al proprio concessionario autorizzato.

Problema	Causa	Possibile soluzione
Arresto del motore durante il taglio	Motore senza carburante.	Effettuare il rifornimento di carburante
	Una mancanza di acqua determina l'arresto del motore da parte dell'interruttore di sicurezza dell'acqua	Disinserire l'interruttore di sicurezza dell'acqua e controllare l'approvvigionamento dell'acqua, quindi riavviare il motore.
	È stato premuto il pulsante di arresto macchina	Resettare l'arresto macchina tirando verso l'alto il pulsante.
	Il taglio a velocità eccessiva provoca lo stallo del motore	Ascoltare il rumore del motore. Se il motore inizia a rallentare, compensare tirando all'indietro la leva di comando marcia avanti/retromarcia per diminuire l'alimentazione ed evitare l'arresto della lama.
	Il fusibile dell'interruttore di circuito è bruciato	Controllare e sostituire i fusibili
La lama diamantata si arresta durante il taglio	La tensione della cinghia di trasmissione è insufficiente	È necessario sostituire il tenditore ROSTA o la cinghia di trasmissione.
La tagliasuolo si abbassa troppo rapidamente	La valvola di controllo dell'abbassamento della tagliasuolo è troppo aperta.	La velocità di abbassamento della sega è regolabile per mezzo della manopola di controllo del regime di abbassamento della sega sopra/sotto la pompa idraulica. Se la tagliasuolo si abbassa troppo rapidamente, ruotare la manopola in senso orario fino a impostare una velocità di abbassamento adeguata.
La lama taglia troppo lentamente.	La lama non è più affilata o presenta una pressione di avanzamento troppo elevata	Ridurre la profondità di taglio e il regime motore per un breve periodo di tempo

CARATTERISTICHE TECNICHE

Batteria

	FS 3500 G
Tipo di morsetti	SAE standard
Tensione, V	12
CCA, A	475
Dimensioni massime (LxPxA), mm/pollici	242x175x175 / 9 9/16x6 7/8x6 7/8

Olio idraulico e lubrificanti

Fluido idraulico

Qualità	Standard
SAE 10W-30	API Class SE
	API Class CC
	API class CD

Lubrificanti

Componente	Qualità	Standard	Capacità del serbatoio dell'olio, litri/quarti
Olio motore	SAE 10W-30	Classe API SJ	2/1.9
Pompa idrostatica	SAE 10W-30		0.19/0.18
Pompa di sollevamento	SAE 10W-30		1.0/0.95
Punti di lubrificazione (piastra base)*	NLGI 2	SAE J310	

* Seguire le istruzioni riportate nella sezione 'Manutenzione e assistenza'.

CARATTERISTICHE TECNICHE

Caratteristiche tecniche

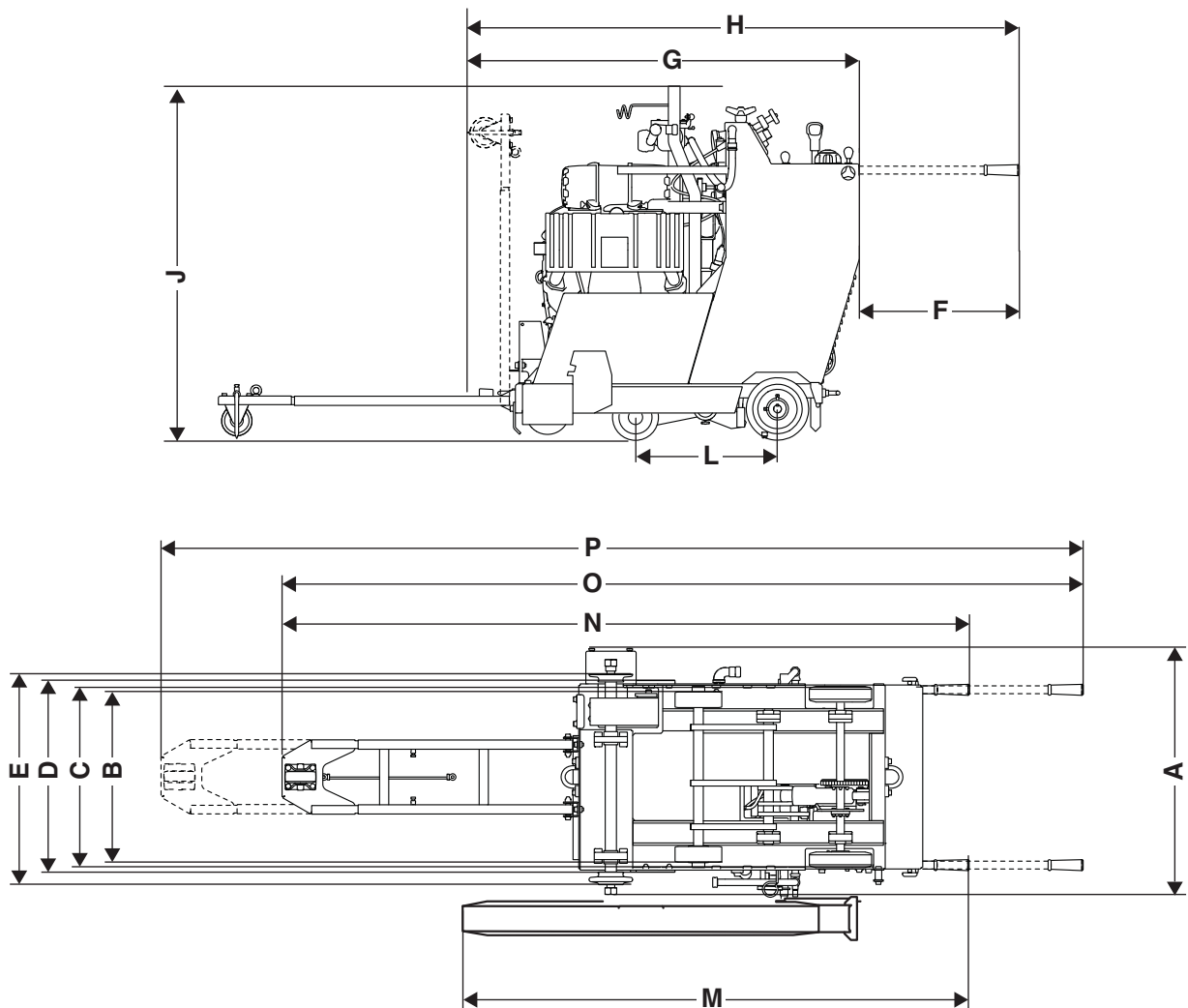
FS 3500 G

Caratteristiche della tagliasuolo	500/20	650/26	750/30
Capacità della protezione lama, mm/pollici	500/20	650/26	750/30
Massima profondità di taglio, mm/pollici	192/7.72	255/10.25	305/12.25
Albero della lama, giri/min	2580	1860	1860
Potenza approssimativa dell'albero della lama, CV/kW	29/21.6		
Dimensioni dell'albero, mm/pollici	25.4/1 con perno guida singolo		
Diametro della flangia ad attacco rapido della lama, mm/pollici	114.5/4.5	127/5	127/5
Diametro dell'albero della lama, mm/pollici	44.45 / 1-3/4		
Cuscinetti dell'albero della lama, mm/inch	Cuscinetti a sfera del blocco cuscino 44.45 / 1-3/4		
Trasmissione dell'albero della lama	Cinghia poli-V (25 scanalature)		
Liquido refrigerante della lama	Due tubi zincati di nebulizzazione dell'acqua a getto multiplo		
Attacco della protezione lama	A innesto, autobloccante		
Controllo della lama	La pompa elettro-idraulica solleva la lama; interruttore di sollevamento/abbassamento sulla leva di comando della velocità; finecorsa e indicatore di profondità di taglio.		
Diametro dell'asse, mm/pollici	Davanti, 25.4/1		
	Posteriore, 25.4 /1		
Ruote, mm/pollici	Anteriori, 152x51x25/6x2x1, con spesso battistrada in poliuretano, cuscinetto a sfera sigillato che richiede minore manutenzione		
	Posteriore, 203x51x25/8x3x1, in gomma piena		
Trasmissione	Pompa idrostatica, con i motori della ruota idraulica 1 collegati ai tubi flessibili, alla trasmissione finale della catena, all'interruttore di avviamento in folle, alla leva singola del controllo del regime.		
Velocità massima di avanzamento	Infinitamente variabile: Marcia avanti e retromarcia 0-51 m/min / 0-167 fpm. Velocità massima in retromarcia 25 m/min sui modelli CE		
Telaio	Per applicazioni gravose, con struttura rigida scatolata e profilata a U		
Peso (senza imballo), kg/lb	409/902	413/911	416/917
Massa operativa massima, kg/lb	431/950	440/970	447/985

CARATTERISTICHE TECNICHE

Dimensioni della tagliasuolo

A	Larghezza, mm/pollici		807 / 31 3/4	H	Lunghezza della tagliasuolo (con guida sollevata e manubri estesi), mm/pollici	1977 / 77 3/4
B	Larghezza da centro a centro delle ruote, mm/pollici	Anteriore	502 / 19 3/4	J	Altezza totale minima (senza tubo di scarico, senza tappo del prefiltro), mm/pollici	1152 / 45 3/8
		Posteriore	540 / 21 1/4			
C	Larghezza da esterno a esterno delle ruote, mm/pollici	Anteriore	553 / 21 13/16	L	Lunghezza interasse, mm/pollici	464 / 18 1/4
		Posteriore	591 / 23 1/4	M	Lunghezza dalla protezione lama al manubrio (manubri ritratti), mm/pollici	1549 / 61
D	Larghezza del telaio, mm/pollici		606 / 23 7/8	N	Lunghezza totale massima (manubri ritratti), mm/pollici	2210 / 87
E	Larghezza da flangia interna a flangia interna, mm/pollici		687/27-1/4	O	Lunghezza totale massima (manubri estesi, guida abbassata), mm/pollici	2895 / 114
F	Estensione del manubrio, mm/pollici		809 / 31 7/8	P	Lunghezza totale massima (manubri estesi, guida estesa), mm/pollici	3378 / 133
G	Lunghezza minima della tagliasuolo (manubri rimossi, guida e protezione lama sollevate), mm/pollici		1168 / 46			



CARATTERISTICHE TECNICHE

Motore FS 3500 G

Specifiche motore	Kohler CH1000
Potenza massima del motore (vedere la nota 1)	37hp@3750rpm (27.5kW@3750rpm)
Cilindrata, dm ³ / cu.in.	1.0/61
Cylinders	2
Corsa, mm/pollici	78.5/3.1
Capacità del serbatoio del carburante, litri/galloni	23.8/6.3
Filtro dell'aria	Filtro dell'aria a ciclone e indicatore di restrizione
Dispositivo di avviamento	Elettrico

Per ulteriori informazioni e domande su questo motore specifico, visitare il sito www.kohlerengines.com.

Nota 1: come specificato dal costruttore del motore. La potenza nominale indicata per i motori corrisponde alla potenza netta media (al regime motore specificato) di un tipico motore in fase di produzione per il modello di motore misurato in base alla normativa ISO3046, SAE J1940/J1995. I motori della produzione di massa potrebbero presentare un valore diverso. La potenza utile effettiva relativa al motore installato nella macchina finale dipende dalla velocità di funzionamento, dalle condizioni ambientali e da altre variabili.

Emissioni di rumore

	FS 3500 G
Emissioni di rumore (vedi nota 1)	
Livello potenza acustica, misurato dB(A)	107
Livello potenza acustica, garantito L _{WA} dB(A)	110
Livelli di rumorosità (vedi nota 2)	
Livello pressione acustica all'udito dell'operatore, dB(A)	95
Livelli di vibrazioni, a_{hV} (vedi nota 3)	
Impugnatura destra, m/s ²	1.6
Impugnatura sinistra, m/s ²	3.8

Nota 1: Emissione di rumore nell'ambiente misurato come potenza acustica (L_{WA}) in base alla direttiva CE 2000/14/CE. La differenza tra potenza acustica misurata e garantita è che la potenza acustica garantita comprende anche la dispersione nel risultato di misurazione e le variazioni tra le diverse macchine dello stesso modello come da Direttiva 2000/14/CE.

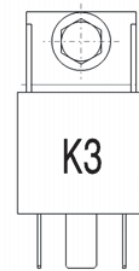
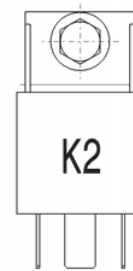
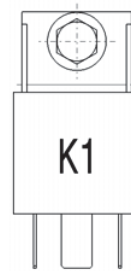
Nota 2: Livello di pressione acustica in ottemperanza alla norma EN 13862. I dati riportati per il livello di pressione acustica hanno una dispersione statistica tipica (deviazione standard) di 4,0 dB(A).

Nota 3: Livello di vibrazioni in ottemperanza alla norma EN 13862. I dati riportati per il livello di vibrazione hanno una dispersione statistica tipica (deviazione standard) di 1 m/s².

RELÈ E FUSIBILI

Relè e fusibili - FS 3500 G

Funzionamento		Designazione	Ampere
Sistema principale		-F1	20
Accensione		-F2	15
Impianto idraulico		-F3	5
Elettrovalvola carb motore		-F4	5
Strumenti		-F5	2
Kit pompa dell'acqua	(facoltativi)	-F6	10
Kit luce	(facoltativi)	-F7	10
kit presa di corrente	(facoltativi)	-F8	15
Relè principale		-K1	20
Relè soppressione		-K2	10
Relè Oil Sentry		-K3	5



DICHIARAZIONE DI CONFORMITÀ CE

Dichiarazione di conformità CE

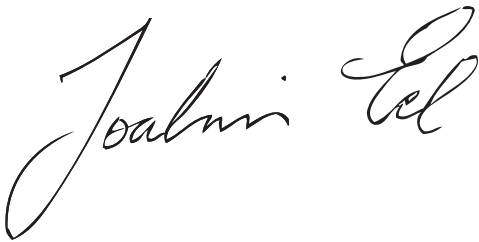
(Solo per l'Europa)

Husqvarna AB, SE 561 82 Huskvarna, Svezia, tel: +46-36-146500, dichiara sotto la propria responsabilità che le motoseghe piatte **Husqvarna FS 3500 G** a partire dai numeri di serie del 2018 (l'anno è chiaramente indicato sulla targhetta dati di funzionamento insieme al numero di serie), sono conformi ai requisiti della DIRETTIVA DEL CONSIGLIO:

- del 17 maggio 2006 "sulle macchine" **2006/42/CE**.
- del 26 febbraio 2014 "sulla compatibilità elettromagnetica" **2014/30/UE**.
- dell'8 maggio 2000 "sull'emissione di rumore nell'ambiente" **2000/14/CE**.

Sono state applicate le seguenti norme: **EN ISO 12100:2010, CISPR12:2007+Amd1:2009, EN55012:2008+A1:2009, EN13862+A1:2009, EN ISO 14982:2009, ISO 13766:2006**. RISE SMP Svensk Maskinprovning AB, Box 7035, SE-750 07 Uppsala, Svezia, ha eseguito l'omologazione volontaria in base alla direttiva macchine (2006/42/CE) per conto di Husqvarna AB. Il certificato porta il numero: **SEC/16/2457**

Partille 1 gennaio 2018



Joakim Ed

Direttore Ricerca e sviluppo globale

Construction Equipment Husqvarna AB

(Rappresentante autorizzato per Husqvarna AB e responsabile della documentazione tecnica.)

ACLARACIÓN DE LOS SÍMBOLOS

Símbolos en la máquina:

Algunos de los símbolos siguientes se utilizan en el mercado CE.

¡ATENCIÓN! La máquina, si se utiliza de forma errónea o descuidada, puede ser una herramienta peligrosa que puede causar daños graves e incluso la muerte al usuario y a otras personas.



Lea detenidamente el manual de instrucciones y asegúrese de entender su contenido antes de utilizar la máquina.



Utilice el equipo de protección personal. Vea las instrucciones bajo el título "Equipo de protección personal".



Cualquier movimiento de la máquina fuera del área de corte debe realizarse sin que la herramienta gire.



Retire la cuchilla antes de elevar, cargar, descargar o transportar la máquina.



La flecha en el protector de la herramienta indica la dirección de la rotación.



Las protecciones deben estar siempre montadas en la máquina. No permita nunca que la exposición del disco supere los 180°.



Controle el equipo de corte. Nunca utilice un equipo roto, agrietado o dañado.



Los discos de corte deben estar marcados con la misma velocidad que se indica en la placa de características de la máquina, o una velocidad superior. Un disco de corte a velocidad excesiva se puede romper o causar daños graves.



No utilice la máquina cerca de sustancias o gases inflamables.



¡ATENCIÓN! Al cortar se genera polvo que puede causar daños por inhalación. Utilice una máscara respiratoria homologada. Evite la inhalación de vapores de gasolina y gases de escape. Procure que haya buena ventilación.



Superficie caliente.



Riesgo de daños en la máquina. Mantenga siempre el disco y las demás piezas móviles alejadas de todas las partes del cuerpo.



Precaución. Riesgo de corte



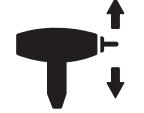
Ajuste del suministro de agua



Disco inferior



Interruptor para elevar y descender el disco



Encendido activado



El motor arranca



El motor se detiene



Parada de la máquina



Parada de la transmisión



Repostaje de combustible Sólo combustible sin plomo



Estrangulador



Aceite de motor



Varilla de nivel. Mantenga un nivel adecuado de aceite en el motor



Cuando compruebe el nivel de aceite del motor, no levante la cortadora.



ACLARACIÓN DE LOS SÍMBOLOS

Freno de estacionamiento

Activado / Desactivado



Mantenga la cortadora nivelada, sin el disco, al comprobar el nivel de aceite.



Utilice siempre la argolla de izada montada en la máquina para levantarla.



Este producto cumple con la directiva CE vigente. Si está indicado en la máquina.



Las emisiones sonoras en el entorno según la directiva de la Comunidad Europea. Las emisiones de la máquina se indican en el capítulo Datos técnicos y en la etiqueta.



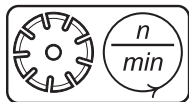
Peso



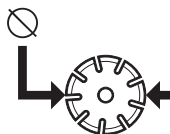
Potencia nominal del motor, kW



Velocidad máxima de disco, r/min



Diámetro de disco, mm



Placa de características

A: Marca

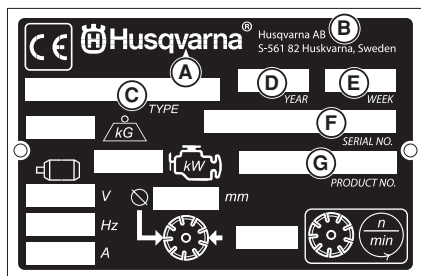
B: Fabricante, dirección

C: Tipo

D, E: Fecha de fabricación, año, semana

F: Número de serie

G: Número de producto



Los demás símbolos/etiquetas que aparecen en la máquina corresponden a requisitos de homologación específicos en determinados mercados.

Explicación de los niveles de advertencia

Las advertencias se clasifican en tres niveles.

¡ATENCIÓN!



¡ATENCIÓN! Indica un riesgo de daños graves para el usuario o incluso muerte, o bien daños al entorno, si no se siguen las instrucciones del manual.

¡NOTA!



¡NOTA! Indica un riesgo de lesiones para el usuario o daños al entorno si no se siguen las instrucciones del manual.

AVISO

AVISO Indica un riesgo de daños en los materiales o en la máquina si no se siguen las instrucciones del manual.

ÍNDICE

Índice

ACLARACIÓN DE LOS SÍMBOLOS

Símbolos en la máquina:	146
Explicación de los niveles de advertencia	147

ÍNDICE

Índice	148
--------------	-----

PRESENTACIÓN

Apreciado cliente:	149
Diseño y funciones	149
FS 3500 G	149

Descripción de los componentes de la cortadora de suelos FS 3500 G	150
Descripción de los componentes del panel de control	152

EQUIPO DE SEGURIDAD DE LA MÁQUINA

Generalidades	153
---------------------	-----

DISCOS

Generalidades	155
Hojas de diamante	155
Transporte y almacenamiento	155

MANIPULACION DEL COMBUSTIBLE

Generalidades	156
Carburante	156
Repostaje	156
Transporte y almacenamiento	156

MANEJO DE LA BATERÍA

Generalidades	157
Conexión de la batería	157
Desconexión de la batería	157
Arranque del motor con batería poco cargada	157

FUNCIONAMIENTO

Equipo de protección	158
Instrucciones generales de seguridad	158
Servicio	158
Técnica básica de trabajo	159
Posición del manillar	159
Desplazamiento de la máquina	160
Montaje del disco	161
Profundidad de corte del disco	163
Corte en línea recta	164
Sistema hidráulico	164
Transporte y almacenamiento	165
Almacenamiento prolongado	165

ARRANQUE Y PARADA

Antes del arranque	166
Primer uso	166
Arranque	166
Parada	168

MANTENIMIENTO Y REPARACIÓN

Generalidades	169
Medidas previas al mantenimiento, la reparación y la localización de fallos	169
Limpieza	169
Programa de mantenimiento	170
Desecho y eliminación	175

LOCALIZACIÓN Y CORRECCIÓN DE AVERÍAS

Incidencias durante el corte	176
------------------------------------	-----

DATOS TÉCNICOS

Batería	177
Líquido hidráulico y lubricantes	177
Datos técnicos	178
Emisiones de ruido	180

RELÉS Y FUSIBLES

Relés y fusibles – FS 3500 G	181
------------------------------------	-----

DECLARACIÓN CE DE CONFORMIDAD

Declaración CE de conformidad	182
-------------------------------------	-----

PRESENTACIÓN

Apreciado cliente:

Gracias por elegir un producto Husqvarna.

Esperamos que su máquina le proporcione plena satisfacción y le sirva de ayuda por mucho tiempo en adelante. La adquisición de alguno de nuestros productos da acceso a asistencia profesional con reparaciones y servicio. Si la máquina no fue adquirida en un distribuidor oficial, preguntar en la tienda de compra la dirección del taller de servicio más cercano.

Este manual de instrucciones es un documento importante. Procure tenerlo siempre a mano en el lugar de trabajo. Siguiendo sus instrucciones (de uso, servicio, mantenimiento etcétera) puede alargar considerablemente la vida útil de la máquina e incrementar su valor de reventa. Si vende su máquina, entregue el manual de instrucciones al nuevo propietario.

Más de 300 años de innovación

La fundación de la empresa sueca Husqvarna AB data del año 1689, cuando el Rey Karl XI encargó la construcción de una fábrica para la fabricación de mosquetes. En ese momento se establecieron los cimientos de la experiencia tecnológica en la que se basan muchos de los productos punteros en el mundo en el sector de las armas de caza, bicicletas, motocicletas, electrodomésticos, máquinas de coser y productos para exteriores.

Husqvarna es líder internacional en productos motorizados para exteriores destinados a la silvicultura, el mantenimiento de parques y el cuidado del césped y del jardín, así como equipos de corte y herramientas de diamante para el sector de la construcción y la piedra.

Responsabilidad del propietario

El propietario / empresario es el responsable de asegurarse de que el usuario tiene los conocimientos necesarios para utilizar la máquina con seguridad. Los supervisores y los usuarios deben haber leído y entendido el manual de instrucciones. Deben tener conocimiento de lo siguiente:

- Las instrucciones de seguridad de la máquina.
- Las aplicaciones y las limitaciones de la máquina.
- El modo de uso y de mantenimiento de la máquina.

La utilización de esta máquina podría estar regulada por la legislación nacional vigente. Infórmese sobre la legislación vigente en el lugar donde trabaja antes de empezar a utilizar la máquina.

Los derechos que se reserva el fabricante.

Tras la publicación de este manual, Husqvarna podría publicar información adicional para el funcionamiento seguro de este producto. Es responsabilidad del propietario mantenerse informado de los métodos de funcionamiento más seguros.

Husqvarna AB trabaja constantemente para perfeccionar sus productos y se reserva, por lo tanto, el derecho a introducir modificaciones en la construcción y el diseño sin previo aviso.

Para obtener más información y solicitar asistencia, póngase en contacto con nosotros a través de nuestro sitio web: www.husqvarna.com o llame al 1-800-845-1312.

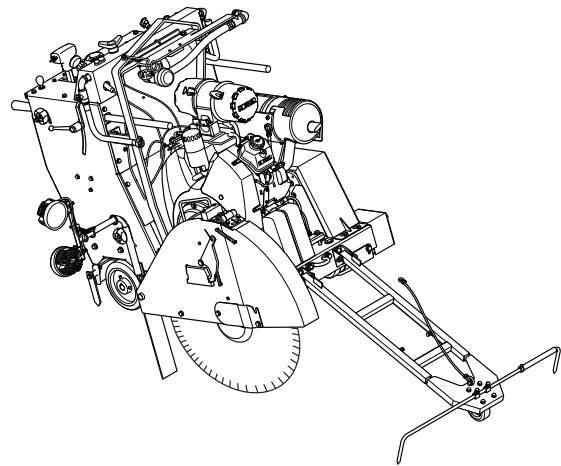
Diseño y funciones

Estas cortadoras de suelos para empuje desde atrás deben utilizarse con discos de diamante únicamente para el corte húmedo. Han sido diseñadas para cortar hormigón fresco y endurecido de diferentes tipos de dureza y asfalto.

El alto rendimiento, la fiabilidad, la tecnología innovadora, las soluciones técnicas avanzadas y el respeto medioambiental son los valores que caracterizan a los productos de Husqvarna. El usuario debe leer este manual detenidamente para garantizar un funcionamiento seguro del producto. Póngase en contacto con su concesionario o con Husqvarna si necesita más información.

A continuación se describen algunas de las características únicas de su producto.

FS 3500 G



Sierra

Es robusta, ágil, fácil de utilizar y mantener.

Motor

Potente motor de gasolina refrigerado por aire con arranque eléctrico y fácil de utilizar.

Transmisión de energía

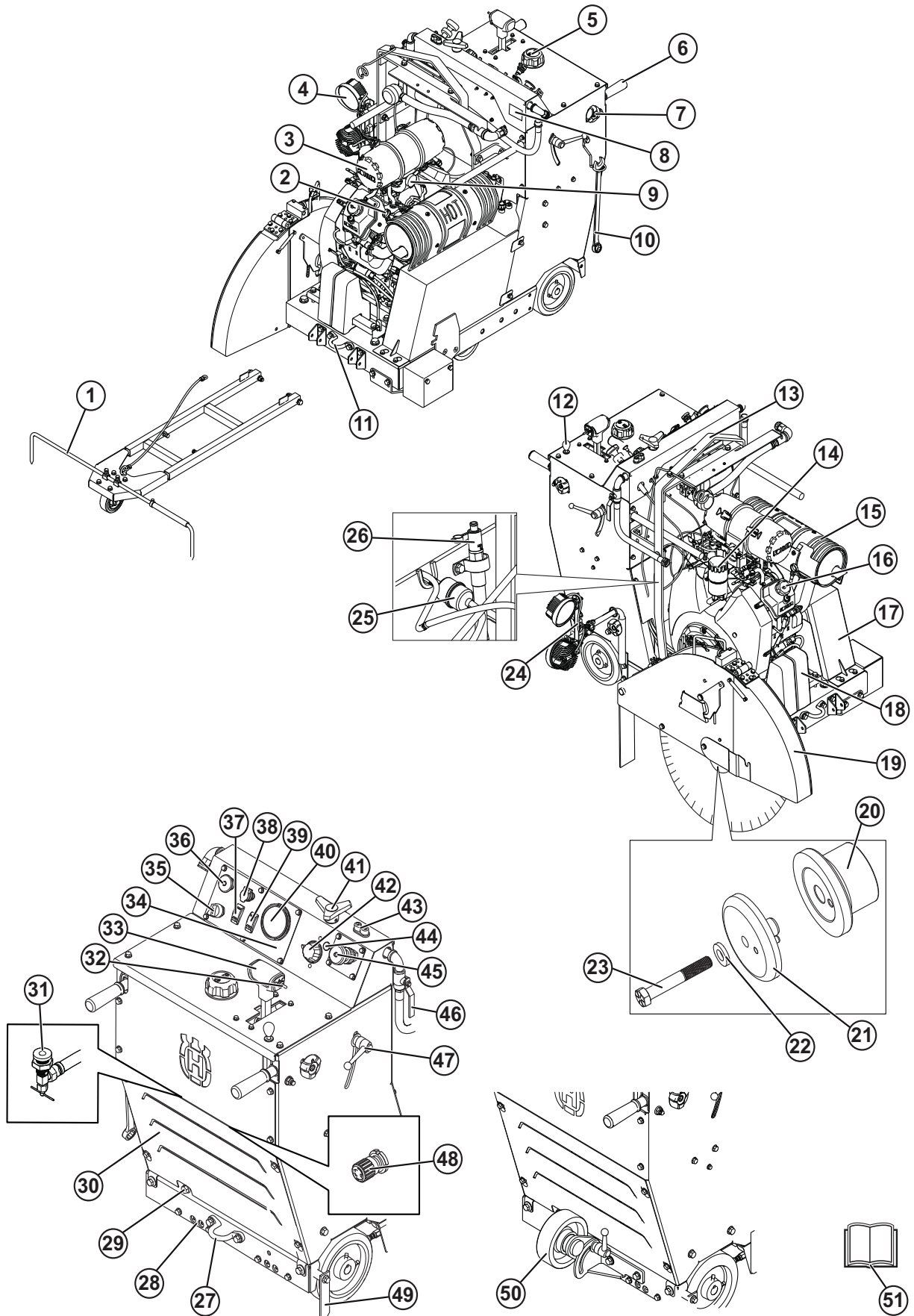
Transmisión de potencia sólida y eficiente con polea tensora correa dinámica para obtener una transferencia de potencia suave y garantizar una larga vida útil.

Guía frontal

La guía frontal dispone de ajuste telescópico que ofrece una visibilidad idónea y un almacenamiento práctico

PRESENTACIÓN

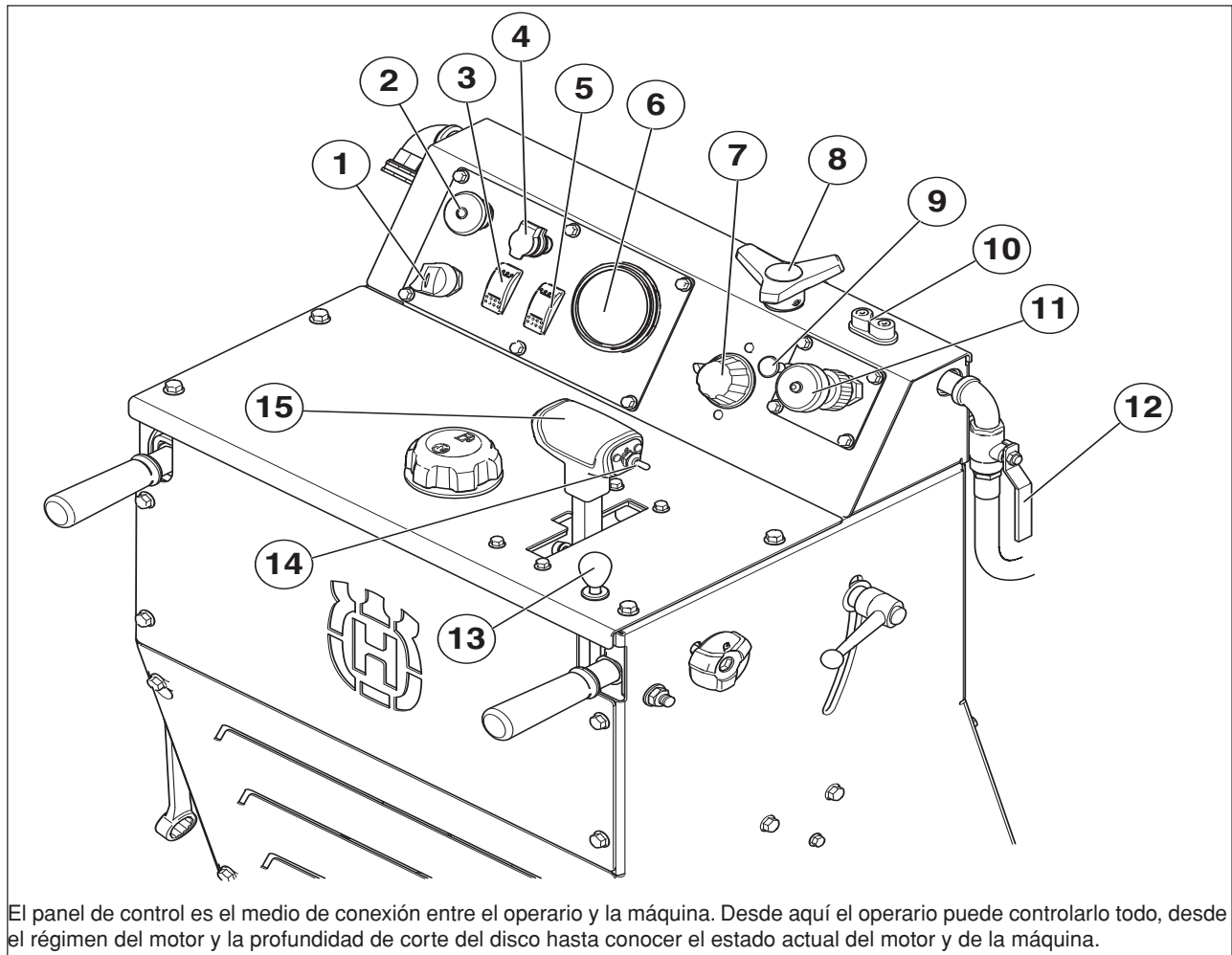
Descripción de los componentes de la cortadora de suelos FS 3500 G



PRESENTACIÓN

- 1 Guía frontal
- 2 Comprobación del aceite del motor (varilla de nivel)
- 3 Filtro de aire
- 4 Iluminación de trabajo (accesorio)
- 5 Llenado del depósito de combustible
- 6 Manillar
- 7 Manija de cierre para el ajuste del largo del manillar
- 8 Placa de características
- 9 Recordatorio de filtro
- 10 Llave de eje de disco
- 11 Asa de agarre frontal
- 12 Palanca de freno de estacionamiento (accesorio)
- 13 Cáncamo de elevación
- 14 Filtro de aceite del motor
- 15 Silenciador
- 16 Llenado de aceite
- 17 Cubierta de la correa de transmisión
- 18 Contrapesos (accesorio)
- 19 Protección del disco de corte
- 20 Brida interior del disco.
- 21 Brida exterior de acoplamiento de discos
- 22 Arandela de brida
- 23 Perno del eje del disco
- 24 Interruptor de alumbrado
- 25 Filtro de combustible del motor
- 26 Manguera de drenaje de aceite
- 27 Asa de agarre posterior
- 28 Lubricación con un acceso fácil (accesorio)
- 29 Ajuste del eje trasero
- 30 Cubierta de protección trasera
- 31 Válvula de cierre de combustible
- 32 Interruptor de elevación/descenso del disco
- 33 Palanca de control de avance/retroceso
- 34 Caja de fusibles y relés
- 35 Interruptor de encendido del motor
- 36 Parada de la máquina
- 37 Interruptor de seguridad de agua (accesorio)
- 38 Toma de corriente 12V (accesorio)
- 39 Interruptor de bomba de agua
- 40 Reloj/tacómetro del motor
- 41 Tope de profundidad del disco
- 42 Indicador de profundidad del disco
- 43 Sujeción cuerda
- 44 Estrangulador
- 45 Acelerador del motor
- 46 Válvula de agua
- 47 Manija de cierre para el ajuste de la altura del manillar
- 48 Válvula de control de flujo
- 49 Guía trasera: lado derecho
- 50 Rueda de transporte
- 51 Manual de instrucciones

PRESENTACIÓN



El panel de control es el medio de conexión entre el operario y la máquina. Desde aquí el operario puede controlarlo todo, desde el régimen del motor y la profundidad de corte del disco hasta conocer el estado actual del motor y de la máquina.

Descripción de los componentes del panel de control

- | | | | |
|---|--|----|---|
| 1 | Interruptor de encendido del motor | 7 | Indicador de profundidad del disco |
| 2 | Parada de la máquina | 8 | Tope de profundidad del disco |
| 3 | Interruptor de seguridad de agua (accesorio) | 9 | Estrangulador |
| 4 | Toma de corriente 12V (accesorio) | 10 | Sujeción cuerda |
| 5 | Interruptor de bomba de agua (accesorio) | 11 | Acelerador del motor |
| 6 | Reloj/tacómetro del motor | 12 | Válvula de agua |
| | | 13 | Palanca de freno de estacionamiento (accesorio) |
| | | 14 | Interruptor de elevación/descenso (disco) |
| | | 15 | Palanca de control de avance/retroceso |

EQUIPO DE SEGURIDAD DE LA MÁQUINA

Generalidades



¡ATENCIÓN! Nunca utilice una máquina con componentes de seguridad defectuosos. Si su máquina no pasa todos los controles, entréguela a un taller de servicio para su reparación. El motor debe apagarse y el interruptor de encendido del motor colocarse en la posición de parada.

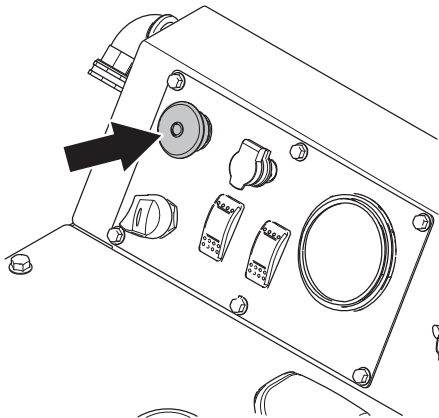


¡ATENCIÓN! El eje de disco gira cuando se arranca el motor.

En este capítulo se describen los componentes de seguridad de la máquina, su función y el modo de efectuar el control y el mantenimiento para garantizar un funcionamiento óptimo.

Parada de la máquina

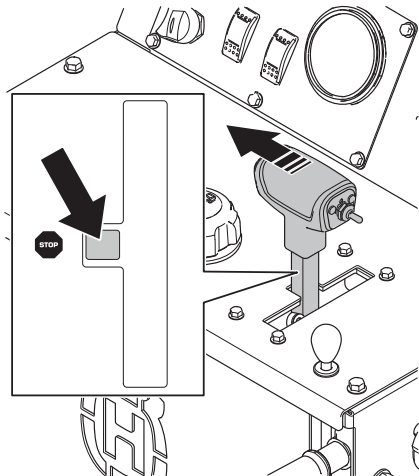
La función para detener la máquina se usa para apagar rápidamente el motor y todas las funciones eléctricas excepto las luces.



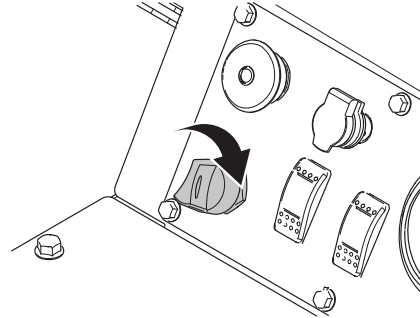
AVISO No lo utilice para paradas rutinarias.

Comprobación de la parada de la máquina

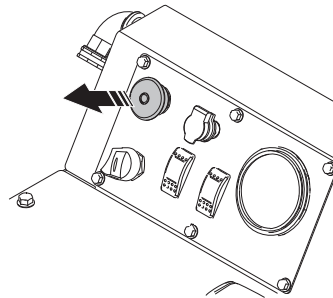
Coloque la palanca de control de avance/retroceso en la posición STOP. El motor no arrancará a menos la palanca esté claramente en la posición STOP.



- Arranque el motor y gire el interruptor de encendido del motor a la posición de encendido. Siga el procedimiento descrito en el manual del motor.



- Pulse la parada de la máquina y compruebe que el motor se detiene. Esto pondrá la máquina en el modo de seguridad.
- Restablezca el botón para detener la máquina tirando la perilla hacia afuera.



Protección de la hoja



¡ATENCIÓN! Antes de arrancar la máquina, controle siempre que la protección de disco está correctamente montada.

Esta protección está montada sobre el disco y está construida para impedir el lanzamiento de partes del disco o material cortado contra el usuario.

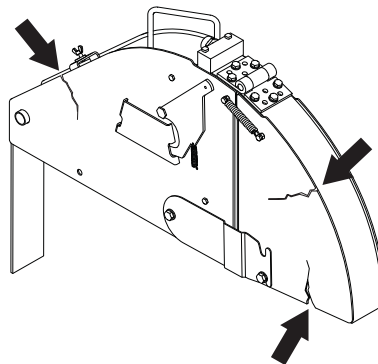
Con esta acción el operario también quedará protegido del disco, que se refrigerará con agua durante el corte húmedo.

Control de la protección del disco de corte



¡ATENCIÓN! Antes de arrancar la máquina, controle siempre que la protección está correctamente montada. Controle también que el disco esté correctamente montado y que no tiene ningún daño. Un disco dañado puede causar daños personales.

- Controle que la protección de la hoja no esté dañada ni presente grietas. Cambie la protección de la hoja si ha recibido golpes o está agrietada.



EQUIPO DE SEGURIDAD DE LA MÁQUINA

Cubiertas y protecciones

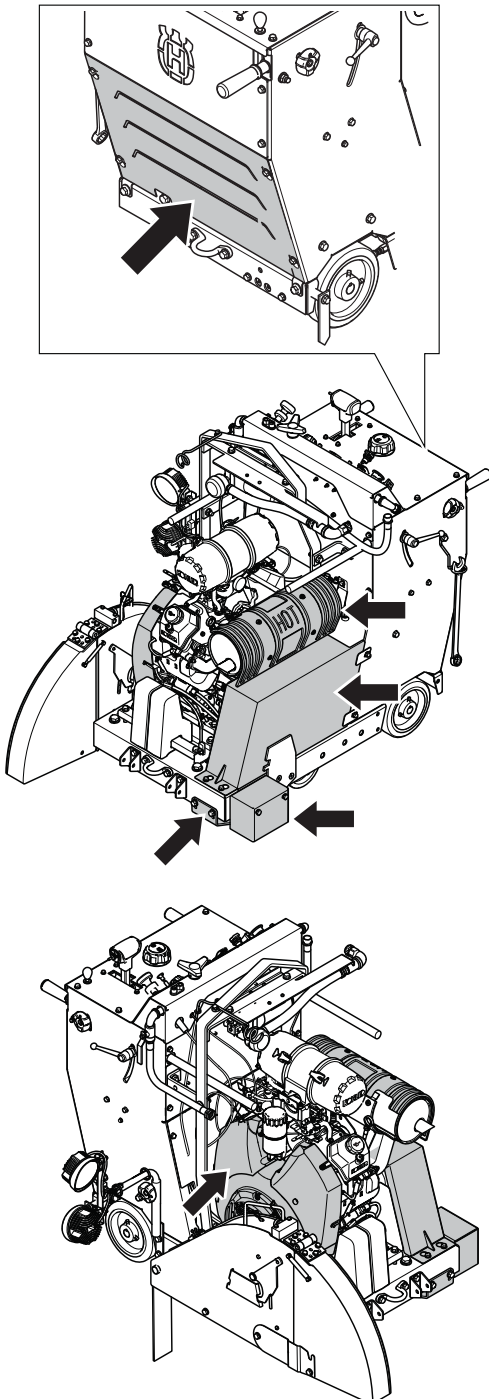


¡ATENCIÓN! Antes de poner la máquina en marcha, compruebe siempre que las cubiertas protectoras están montadas correctamente.

Las cubiertas protectoras de la máquina protegen al operario del ventilador de refrigeración, las transmisiones con correa y las superficies calientes.

Comprobación de las cubiertas protectoras

- Compruebe que no existan grietas ni daños en las tapas protectoras. Sustituya las tapas dañadas.



Silenciador



¡ATENCIÓN! No utilice nunca una máquina que no tenga silenciador o que lo tenga defectuoso. Un silenciador defectuoso puede incrementar considerablemente el nivel de ruido y el riesgo de incendio. Tenga a mano herramientas para la extinción de incendios.

El silenciador está muy caliente durante el funcionamiento y después de parar. Esto también es aplicable al funcionamiento en ralentí. Preste atención al riesgo de incendio, especialmente al emplear la máquina cerca de sustancias y/o gases inflamables.

El silenciador está diseñado para reducir al máximo posible el nivel sonoro y para apartar los gases de escape del usuario.

Revisión del silenciador

- Revise regularmente el silenciador para comprobar que está intacto y bien fijo.

Generalidades



¡ATENCIÓN! Un disco de corte puede romperse y provocar daños graves al operario.

El fabricante del disco de corte publica advertencias y recomendaciones para el uso y cuidado adecuado del mismo. Estas advertencias se suministran con el disco de corte.

Se debe comprobar el disco de corte antes de su montaje en la cortadora y a menudo durante su uso. Compruebe que no presenta grietas, ni faltan segmentos (discos de diamante), ni se han roto piezas. No utilice un disco de corte dañado.

- Los discos de corte de gran calidad suelen ser los más económicos. Los discos de corte de calidad inferior tienen a menudo una capacidad de corte peor y menor durabilidad, lo cual se traduce en unos costes mayores con respecto a la cantidad de material cortado. Vea las instrucciones del apartado "Montaje de discos de corte".



¡ATENCIÓN! No utilice nunca un disco de corte para ningún material para el que no esté destinado. No utilice nunca una hoja cuyo régimen nominal sea inferior al de la máquina. No utilice discos de sierra circulares ni con punta de carbono.

Inestabilidad del disco

- El disco puede bailar y romperse si se utiliza un régimen nominal de rotación excesivo.
- Un régimen nominal de rotación más bajo puede detener el bamboleo. Compruebe que la marcha o la configuración de la transmisión del disco sean las correctas. De no ser así, cambie el disco.

Hojas de diamante

Generalidades

El disco de corte seguirá girando hasta un minuto después de que el motor se haya detenido. No detenga nunca el disco con las manos. Pueden producirse daños personales.

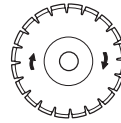


¡ATENCIÓN! Los discos de diamante se calientan mucho con el uso. Un disco recalentado es consecuencia de un uso inadecuado y puede deformarse, lo que podría causar daños y lesiones.

Al cortar metales se producen chispas que podrían provocar un incendio. No utilice la máquina cerca de sustancias o gases inflamables.

- Las hojas de diamante están compuestas por un armazón de acero provisto de segmentos conteniendo diamantes industriales.
- Las hojas de diamante tienen un menor coste por operación de corte, requieren menos cambios de hoja y proporcionan una profundidad de corte constante.

- Al utilizar una hoja de diamante, procure que gire en el sentido indicado por la flecha marcada en la hoja.



Afilado de hojas de diamante

- Use siempre una hoja de diamante afilada.
- Las hojas de diamante pueden volverse romas si se utiliza una presión de avance errónea o al cortar materiales como por ejemplo hormigón muy armado. El trabajo con una hoja de diamante roma comporta recalentamiento, lo que puede causar que se suelten segmentos de diamante.
- Afile el disco reduciendo la profundidad de corte y el régimen del motor durante un breve periodo. Esta acción permitirá descubrir nuevos diamantes afilados en el disco.

Discos de diamante y refrigeración

- Durante el corte, la fricción hace que el disco de diamante se caliente. Si se deja que el disco se caliente demasiado, el disco podría aflojarse o el núcleo podría agrietarse. Por lo tanto, el disco de diamante debe refrigerarse con agua.

Hojas de diamante para corte húmedo

Durante el corte, la fricción hace que el disco de diamante se caliente. Si se deja que el disco se caliente demasiado, el disco podría aflojarse o el núcleo podría agrietarse.

Deje que el disco se enfríe antes de tocarlo.

- Los discos de diamante de corte húmedo deben utilizarse con agua para mantener los segmentos y el núcleo del disco refrigerados durante el corte. Los discos de corte húmedo NO deben usarse en seco.
- El uso de discos de corte húmedo sin agua podría causar una acumulación excesiva de calor, lo que provocaría una pérdida de rendimiento y daños graves en el disco. Además, supondría un peligro para la salud.
- El agua enfría el disco y aumenta la vida útil al tiempo que reduce la formación de polvo.
- Utilice el corte en mojado de hormigón y asfalto nuevo y antiguo.

Tamaño del disco, mm/pulg.	Profundidad máxima de corte, mm/pulg.
500/20	192/7.72
650/26	255/10.25
750/30	305/12.25

AVISO Utilice siempre una brida de disco con un tamaño específico para el tamaño de disco actual. No utilice nunca bridas dañadas.

Transporte y almacenamiento

- Guarde los discos de corte en un lugar seguro para que no se dañen.
- Conserve el disco de corte en un lugar seco y sin escarcha.
- Controle que los discos nuevos no hayan sufrido averías por el transporte o almacenamiento.

MANIPULACION DEL COMBUSTIBLE

Generalidades



¡ATENCIÓN! Si se hace funcionar el motor en un local cerrado o mal ventilado, se corre riesgo de muerte por asfixia o intoxicación con monóxido de carbono.

El combustible y los vapores de combustible son muy inflamables y pueden causar daños graves por inhalación y contacto con la piel. Por consiguiente, al manipular combustible proceda con cuidado y procure que haya buena ventilación.

Los gases de escape del motor están calientes y pueden contener chispas que pueden provocar incendio. Por esa razón, ¡nunca arranque la máquina en interiores o cerca de material inflamable!

No fume ni ponga objetos calientes cerca del combustible.

Carburante

Gasolina

- Utilice gasolina sin plomo limpia y nueva.
- El octanaje mínimo recomendado es 87 ((RON+MON)/2). Si se hace funcionar el motor con gasolina de octanaje inferior a 87, puede producirse clavazón. Esto aumenta la temperatura del motor, con el consiguiente riesgo de averías.

Aceite de motor

Antes de comprobar el aceite, estacione siempre la máquina en una superficie nivelada. Mantenga la cortadora nivelada, sin el disco, al comprobar el nivel de aceite.

- Controlar el nivel de aceite antes de arrancar la máquina. Un nivel de aceite demasiado bajo puede causar averías graves del motor. Consulte las instrucciones en el apartado «Mantenimiento y reparación».
- No utilice nunca aceite para motores de dos tiempos. Utilice únicamente aceite para motor con bajo contenido en cenizas, tal como se indica en el apartado «Datos técnicos».

AVISO Compruebe que siempre haya suficiente aceite en el motor.

Repostaje



¡ATENCIÓN! Apague el motor y deje que se enfríe unos minutos antes de repostar.

Para repostar, abra despacio la tapa del depósito de combustible para evacuar lentamente la eventual sobrepresión.

Limpie alrededor del tapón de combustible.

Después de repostar, apriete bien la tapa del depósito de combustible. Si el tapón no está correctamente apretado, podría aflojarse con la vibración y se produciría una fuga de combustible del depósito con el consiguiente riesgo de incendio.

Antes de arrancar, aparte la máquina a 3 m como mínimo del lugar de repostaje.

Nunca arranque la máquina:

- Si ha derramado combustible o aceite de motor en la máquina. Limpie todos los derrames y deje evaporar los restos de gasolina.
- Si se salpicó el cuerpo o las ropas, cambie de ropas. Lave las partes del cuerpo que han entrado en contacto con el combustible. Use agua y jabón.
- Si hay fugas de combustible en la máquina. Compruebe regularmente si hay fugas en la tapa del depósito o en los conductos de combustible.

Transporte y almacenamiento

- Almacene y transporte la máquina y el combustible de manera que eventuales fugas o vapores no puedan entrar en contacto con chispas o llamas, por ejemplo, máquinas eléctricas, motores eléctricos, contactos eléctricos/ interruptores de corriente o calderas.
- Para almacenar y transportar combustible se deben utilizar recipientes diseñados y homologados para tal efecto.

MANEJO DE LA BATERÍA

Generalidades



¡ATENCIÓN! Las baterías de plomo/ácido generan gases explosivos. Evite chispas, llamas y fumar cerca de las baterías.

- La conexión o desconexión de la batería puede causar chispas o cortocircuitos.
- Una chispa o llama puede provocar que la batería de ácido-plomo explote.
- No conecte nunca los dos bornes en la batería al mismo tiempo con una llave y otro objeto metálico, ya que podría causar un cortocircuito en la batería.
- Manipule la batería con cuidado.
- Las baterías que no se utilicen deben mantenerse alejadas de objetos metálicos como clavos, monedas o joyas.
- Antes de conectar la batería, quítese las pulseras de metal, los relojes, anillos, etc. Utilice gafas protectoras y guantes protectores o una máscara contra polvo cuando manipule la batería.
- La batería original no requiere mantenimiento. No intente abrir o retirar los tapones o cubiertas. Normalmente no es necesario comprobar ni ajustar el nivel de electrolito.
- Sustituya la batería solo por otra similar que no requiera mantenimiento. Consulte la información del apartado «Datos técnicos».
- Cuando realice operaciones de soldadura en la máquina, desconecte siempre los dos cables de la batería y aléjelos de los polos.
- Conecte siempre el polo negativo de la pantalla de soldadura lo más cerca posible del punto de soldadura.

AVISO No supere el tamaño físico máximo de la batería. Una batería demasiado grande puede dañar las piezas adyacentes o resultar dañada por ellas.

Por consideración al medio ambiente, manipule con cuidado la batería. Observe la normativa local en materia de reciclaje.

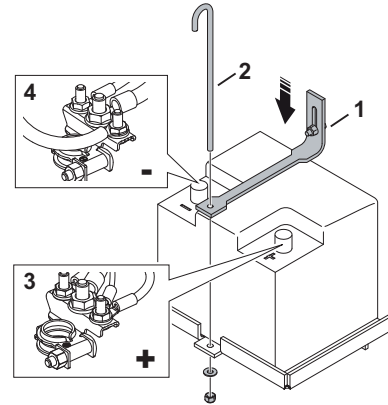
- Si la batería tiene problemas para mantener la tensión durante largos periodos de tiempo cuando no se aplica ninguna carga, sustitúyala. Para obtener más información acerca de las baterías recomendadas, consulte el apartado «Datos técnicos».
- Recargue la batería periódicamente.
- Mantenga los terminales de la batería y sus accesorios limpios.

Conexión de la batería

Aclaración! Instale y retire los cables de la batería únicamente en la secuencia descrita en esta sección.

- 1 Instale el soporte de la batería.
- 2 Bloquee la batería con el pasador.
- 3 Conecte siempre primero el terminal positivo.

- 4 Conecte el terminal negativo.



Desconexión de la batería

- Quite los cables en orden inverso.

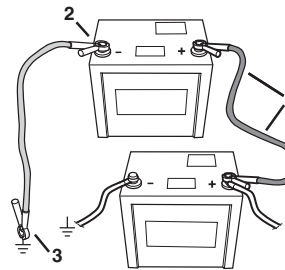
Arranque del motor con batería poco cargada

Si la carga de la batería es insuficiente para arrancar el motor, hay que cargarla.

Procedimiento para el uso de cables para arranque de emergencia:

Conexión de cables de arranque auxiliar

- 1 Conecte cada extremo del cable rojo en el polo POSITIVO (+) de cada batería, procediendo con cuidado para no cortocircuitar ningún extremo con el chasis.
- 2 Conecte un extremo del cable negro en el polo NEGATIVO (-) de la batería plenamente cargada.
- 3 Conecte el otro extremo del cable negro a un buen punto de MASA DEL BLOQUE DEL MOTOR, lejos del depósito de combustible y de la batería.



Quite los cables en orden inverso.

- Se retira el cable NEGRO del bloque del motor y a continuación de la batería totalmente cargada.
- El cable ROJO se suelta en último lugar de ambas baterías.

Almacenaje

- Guarde la batería en un lugar oscuro y seco.

FUNCIONAMIENTO

Equipo de protección

Generalidades

Asegúrese de que siempre haya otra persona cerca de usted cuando utilice la máquina para poder pedir ayuda en caso de accidente.

Equipo de protección personal

Para trabajar con la máquina debe utilizarse un equipo de protección personal homologado. El equipo de protección personal no elimina el riesgo de lesiones, pero reduce su efecto en caso de accidente. Pida a su distribuidor que le asesore en la elección del equipo.




¡ATENCIÓN! El uso de productos como cortadoras, amoladoras, taladradoras y sierras que lijan o sueltan material pueden generar polvo y vapores que pueden contener productos químicos perniciosos. Compruebe la naturaleza del material que pretende procesar y utilice una máscara respiratoria adecuada.

La exposición prolongada al ruido puede causar daños crónicos en el oído. Utilice siempre una protección de oídos homologada. Al utilizar protección de oídos preste atención a las señales de aviso o grillos de alerta. Quítese siempre la protección de oídos en cuanto se detenga el motor.

Utilice siempre:

- Casco homologado
- Protectores auriculares
- Protección ocular homologada. Si se utiliza visor, deben utilizarse también gafas protectoras homologadas. Por gafas protectoras homologadas se entienden las que cumplen con la norma ANSI Z87.1 para EE.UU. o EN 166 para países de la UE. El visor debe cumplir con la norma EN 1731.
- Protección respiratoria homologada
- Guantes resistentes de agarre seguro.
- Prendas de vestir ceñidas, resistentes y cómodas que permitan una libertad de movimientos total. El proceso de corte genera chispas que podrían prender fuego a la ropa. Husqvarna recomienda que lleve ropa de algodón piroretardante o de tejidos vaqueros duros. No lleve ropa de materiales como nailon, poliéster o rayón. Si estos materiales empezaran a arder, podrían derretirse y adherirse a la piel. No lleve pantalones cortos.
- Botas con puntera de acero y suela antideslizante.

Otros equipos de protección



¡NOTA! Mientras trabaja con la máquina, pueden producirse chispas que podrían ocasionar un incendio. Tenga siempre a mano herramientas para la extinción de incendios.

- Extintor de incendios
- Tenga siempre a mano el equipo de primeros auxilios.

Instrucciones generales de seguridad

Este apartado trata las normas de seguridad básicas para trabajar con el dispositivo. Esta información no sustituye en ningún caso los conocimientos y la experiencia de un profesional.


- Lea detenidamente el manual de instrucciones y asegúrese de entender su contenido antes de utilizar la máquina. Se recomienda que los operarios sin experiencia previa reciban instrucciones prácticas antes de utilizar la máquina.
- Tenga en cuenta que es usted, como usuario, el responsable de no exponer a riesgos o accidentes a las personas y a su propiedad.
- La máquina debe mantenerse limpia. Los letreros y las pegatinas deben ser legibles en su totalidad.

Servicio

Solo técnicos cualificados que utilicen piezas de repuesto originales deben llevar a cabo las tareas de mantenimiento de la máquina. Esto garantizará la seguridad de la máquina.

Emplee siempre el sentido común

Es imposible abarcar todas las situaciones en las que puede encontrarse. Utilice siempre el equipo con cuidado y sentido común. Si se encuentra en alguna situación que le haga sentirse inseguro, deténgase y consulte con un experto. Consulte a su distribuidor, al taller de servicio técnico o a un usuario experimentado. No emplee la máquina en aplicaciones para las que no se considere plenamente cualificado.



¡ATENCIÓN! La máquina, si se utiliza de forma errónea o descuidada, puede ser una herramienta peligrosa que puede causar daños graves e incluso la muerte al usuario y a otras personas.

No permita bajo ningún concepto el empleo o mantenimiento de la máquina por los niños u otras personas no instruidas en el manejo de la misma.

Nunca deje que terceros utilicen la máquina sin asegurarse primero de que hayan entendido el contenido de este manual de instrucciones.

Nunca utilice la máquina si está cansado, si ha ingerido alcohol o si toma medicamentos que puedan afectar la vista, su capacidad de discernimiento o el control del cuerpo.

FUNCIONAMIENTO



¡ATENCIÓN! Las modificaciones y/o el uso de accesorios no autorizados comportan riesgo de daños personales graves y peligro de muerte para el usuario y otras personas. Bajo ninguna circunstancia debe modificarse la configuración original de la máquina sin autorización del fabricante.

No modifique nunca esta máquina de forma que se desvíe de la versión original, y no la utilice si parece haber sido modificada por otras personas.

No utilice nunca una máquina defectuosa. Lleve a cabo las comprobaciones de seguridad y siga las instrucciones de mantenimiento y servicio de este manual. Algunas medidas de mantenimiento y servicio deben ser efectuadas por especialistas formados y cualificados. Consulte las instrucciones del apartado Mantenimiento.

Utilizar siempre recambios originales.



¡ATENCIÓN! Esta máquina genera un campo electromagnético durante el funcionamiento. Este campo magnético puede, en determinadas circunstancias, interferir con implantes médicos activos o pasivos. Para reducir el riesgo de lesiones graves o letales, las personas que utilizan implantes médicos deben consultar a su médico y al fabricante del implante antes de emplear esta máquina.

Seguridad en el área de trabajo

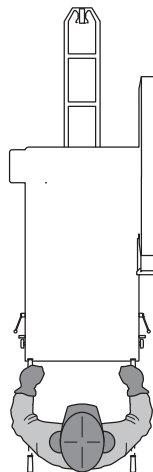


¡ATENCIÓN! Usted es el responsable de que no haya personas y animales dentro de la zona de trabajo. No inicie el corte hasta que la zona de trabajo esté despejada.

- Compruebe el entorno para asegurarse de que nada pueda influir en su control de la máquina.
- Asegúrese de que ningún objeto ni ninguna persona puede entrar en contacto con el equipo de corte o recibir el impacto de piezas lanzadas por el disco.
- No instale la cuchilla en la máquina hasta que se haya transportado a la zona de corte.
- No trabaje en condiciones atmosféricas desfavorables como niebla, lluvia intensa, tempestad, frío intenso, etc. Trabajar con mal tiempo es cansador y puede crear condiciones peligrosas, por ejemplo suelo resbaladizo.
- Antes de comenzar a trabajar con la máquina, controle siempre que el lugar esté libre y que los pies estén bien afirmados al terreno. Controle posibles obstáculos en caso de movimientos repentinos. Asegúrese de que no haya elementos que puedan caer y provocar daños al trabajar con la máquina. Tenga sumo cuidado al trabajar en taludes.
- Controle que la zona de trabajo esté bien iluminada para lograr un entorno seguro.
- Asegúrese de que no haya tuberías o cables eléctricos en la zona de trabajo o en el material que vaya a cortar.
- Si se hace funcionar el motor en un local cerrado o mal ventilado, se corre riesgo de muerte por asfixia o intoxicación con monóxido de carbono.

Técnica básica de trabajo

- Esta máquina ha sido diseñada para cortar hormigón fresco y endurecido de diferentes tipos de dureza o asfalto.
- Trabaje siempre de modo que pueda acceder fácilmente a la parada de la máquina.
- Compruebe que no ha dejado ninguna herramienta u otro objeto sobre la máquina.
- Antes de arrancar la máquina, controle siempre que la protección de disco está correctamente montada. No corte nunca sin utilizar el protector.
- Antes de empezar a cortar, todos los cortes que se van a hacer deben marcarse con claridad y planificarse para que se puedan hacer sin riesgo de dañar a personas o la máquina.
- Evite siempre el uso del lateral del disco. Es muy posible que este esté dañado o roto y que provoque daños muy graves. Utilice solamente el filo.
- No se coloque detrás ni delante de la trayectoria del disco mientras el motor está en funcionamiento.
- No deje la máquina sin supervisión con el motor en marcha.
- No enderece, calce ni gire nunca el disco durante el corte.
- Asegúrese de que siempre haya otra persona cerca de usted cuando utilice la máquina para poder pedir ayuda en caso de accidente.
- No se coloque nunca detrás ni delante de la trayectoria del disco mientras el motor está en funcionamiento. La posición del operario se encuentra entre los dos manillares.



Posición del manillar

¡NOTA! No utilice nunca los manillares para levantar la cortadora.

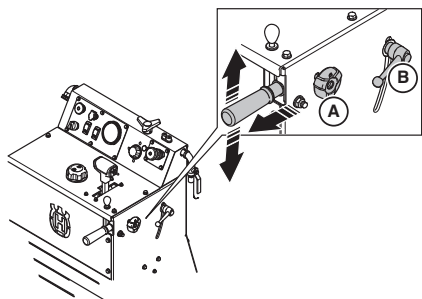
Utilice los manillares para maniobrarla.

Se puede ajustar la altura y el largo de la posición de los manillares.

- Afloje la manija **A** para ajustar el largo. juego de manijas para más cómoda longitud de trabajo. Apriete la manija de cierre.

FUNCIONAMIENTO

- Gire la manija de ajuste del manillar **B** en el sentido contrario al de las agujas del reloj para desbloquear el manillar y volver a colocarlo. Gire en el sentido de las agujas del reloj para bloquear el manillar en su sitio. Coloque el manillar a la altura que le resulte más cómoda para trabajar. Apriete la manija de cierre.



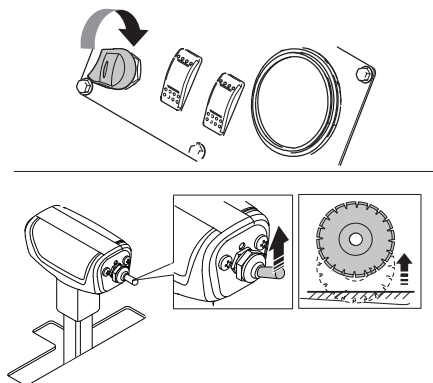
Desplazamiento de la máquina

Antes de mover la máquina, lea y comprenda el contenido del apartado «Arranque y parada».

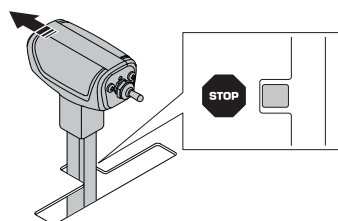
Desplazamiento de la máquina con el motor apagado

- Gire el interruptor de encendido del motor hasta la posición de funcionamiento.

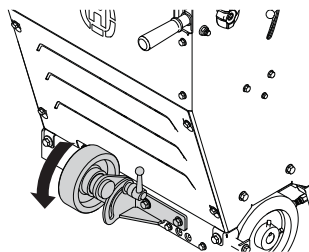
Levante la sierra. Para ello presione el interruptor de elevación/descenso en la palanca de control de avance/retroceso hasta que el disco, si está instalado, no toque la superficie del suelo.



- Coloque la palanca de control de avance/retroceso en la posición neutra/parada.



- Gire el pomo de bloqueo hacia la izquierda para desbloquear la rueda libre y colocarla en la posición de transporte. Apriete la manija de cierre.



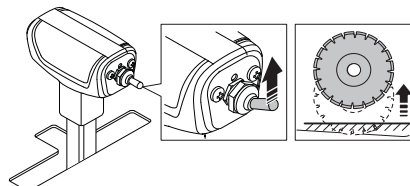
- Levante la cortadora hasta que las dos ruedas traseras dejen tocar la superficie. La cortadora podrá moverse si se coloca detrás de ella y la empuja (mientras sujeta los manillares).



¡ATENCIÓN! No intente empujar la cortadora por una pendiente (o colina) con la rueda engranada. El operario de la cortadora podría perder el control de la misma y causarse lesiones a él mismo o a otras personas de alrededor.

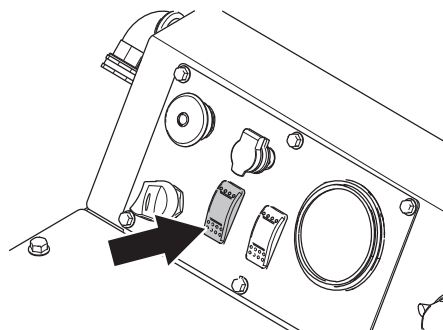
Desplazamiento de la cortadora con el motor encendido

- Levante la sierra. Para ello presione el interruptor de elevación/descenso en la palanca de control de avance/retroceso hasta que el disco, si está instalado, no toque la superficie del suelo.



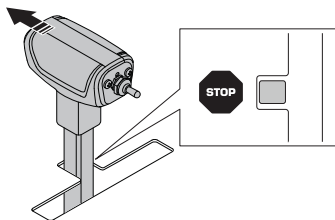
¡ATENCIÓN! Nunca transporte la máquina fuera de la zona de corte con el motor en marcha y con la cuchilla instalada.

- Coloque el interruptor de seguridad de agua en la posición OFF.

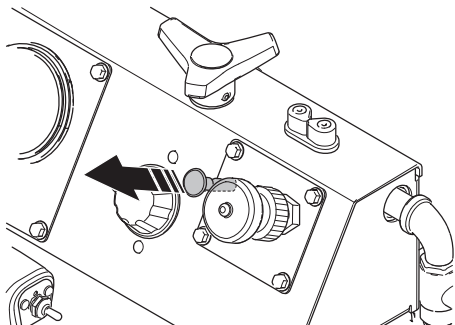


FUNCIONAMIENTO

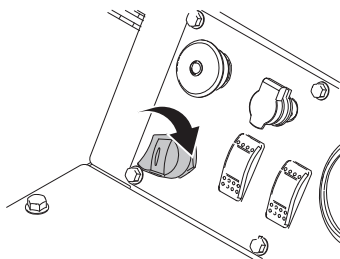
- Coloque la palanca de control de avance/retroceso en la posición neutra/parada. El motor no arrancará a menos que la palanca esté en la posición neutra/parada.



- Extraiga el estrangulador del motor.

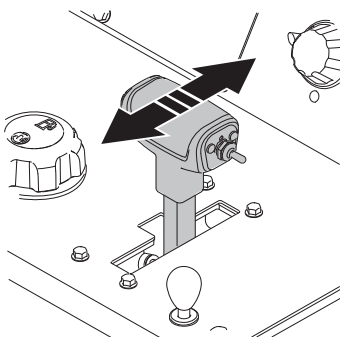


- Gire el interruptor de encendido del motor a la posición de encendido de motores hasta que el motor arranque y, a continuación, suelte el interruptor. Volverá automáticamente a la posición de encendido. Si el motor no arranca, repita estos pasos.



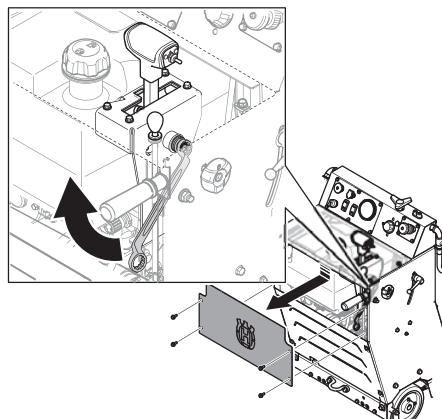
- Empuje la palanca de control de avance/retroceso hacia delante para que la sierra se mueva hacia delante o hacia atrás para que retroceda.

Cuanto más presione la palanca, mayor será la velocidad. Si desea obtener más información, consulte el apartado de «Datos técnicos».



¡ATENCIÓN! No coloque la transmisión en posición neutra mientras la máquina está aparcada en una pendiente pronunciada. El operario perderá el control y podrían producirse daños o lesiones.

- Ajuste la resistencia en la palanca de control de avance/retroceso con la tuerca que se encuentra al lado de la palanca.



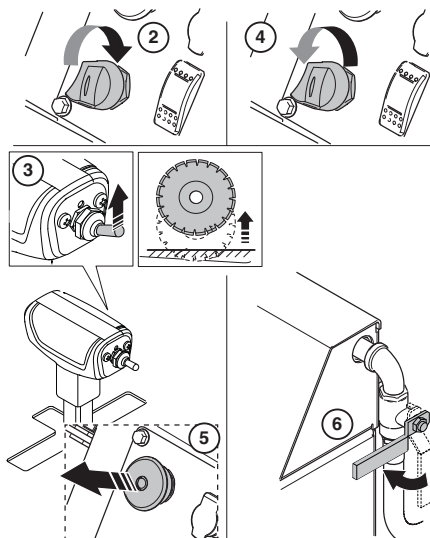
Montaje del disco



¡ATENCIÓN! Ajuste siempre el interruptor de arranque del motor a la posición de apagado antes de instalar la cuchilla.

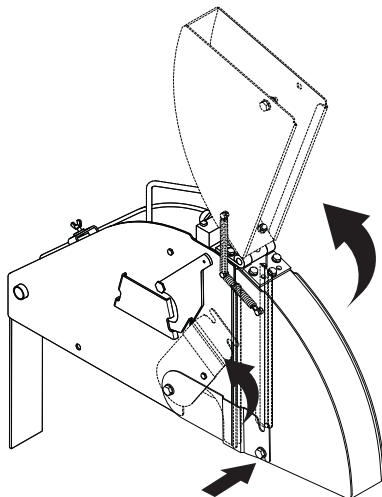
AVISO Compruebe el sentido de rotación del disco. La flecha del disco y de la protección del disco indica la dirección de giro.

- Transporte la máquina a la zona de corte y compruebe que el entorno se adecúa a lo estipulado por la sección Seguridad de zona de corte.
- Coloque el interruptor de encendido del motor en la posición de encendido.
- Levante la sierra hasta una posición alta mediante el interruptor de elevación/descenso de la palanca de control de avance/retroceso.
- Ajuste el interruptor de arranque del motor a la posición OFF.
- Pulse el botón de parada de la máquina en el panel de control.
- Desactive la válvula de agua.



FUNCIONAMIENTO

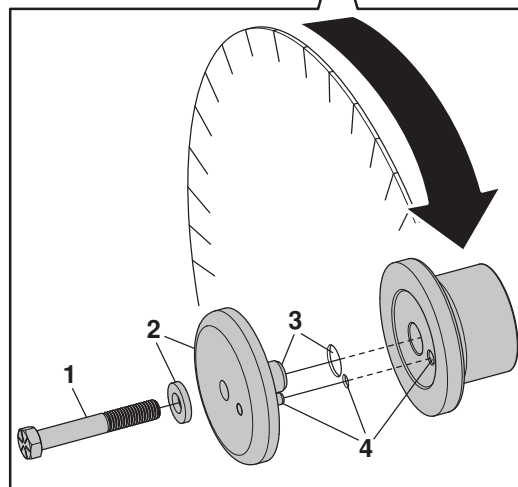
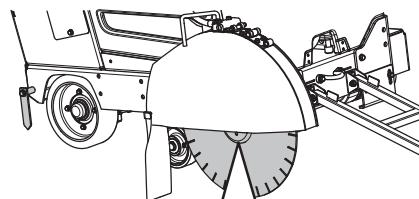
- Afloje el perno delantero de la protección del disco y levante el pestillo de dicha protección.
- Levante la parte delantera de la protección del disco.



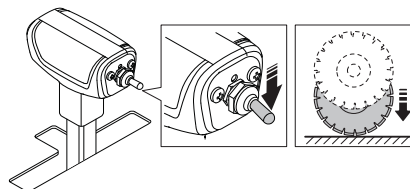
¡ATENCIÓN! Compruebe que el disco, las bridas de acoplamiento del disco y el eje de las bridas no están dañados. Limpie las superficies de contacto del disco y de las bridas de acoplamiento del mismo. Antes de montar el disco en la máquina, asegúrese de que tanto el disco como las bridas están limpios, sin suciedad ni restos.

El perno del eje del disco situado a la derecha de la cortadora tiene roscas a la izquierda, y el que está situado a la izquierda las tiene a la derecha. Sustituya el perno del eje del disco y la arandela plana cuando estén desgastados o dañados.

- 1 Afloje el perno del eje del disco que se utiliza para sujetar el disco entre la brida interior y la exterior.
 - 2 Retire la brida exterior y la arandela plana.
 - 3 Coloque el disco de diamante en el eje de la brida exterior.
 - 4 Instale la brida exterior con un disco preinstalado en la brida interior y asegúrese de que el pasador de bloqueo pasa por el disco de diamante y llega hasta la brida interior. Utilice siempre una arandela plana con un perno de eje del disco. Gire la brida exterior y el disco en la dirección opuesta a la rotación del disco para eliminar el retroceso.
- Instale y apriete el perno del eje del disco y la arandela plana con la llave para el eje mientras sujeta el disco con firmeza.



Baje la sierra. Para ello presione el interruptor de elevación/descenso en la palanca de control de avance/retroceso hacia abajo hasta que el disco toque la superficie que se va a cortar.

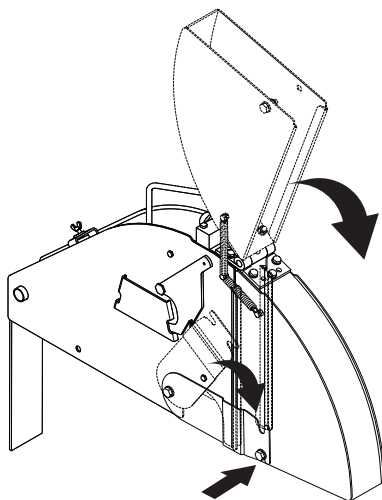


¡NOTA! El contacto debe ser suave para evitar dañar el disco. El mando de ajuste de la velocidad de descenso de la cortadora permite ralentizar la velocidad de descenso. No permita nunca que el peso frontal de la máquina recaiga sobre el disco, ya que resultaría dañado.

- Apriete bien el perno del eje del disco con la llave para el eje, mientras que la resistencia entre el disco de diamante y el terreno ayuda a lograr un apriete final adecuado.

FUNCIONAMIENTO

- Baje la parte frontal de la protección del disco y coloque el pestillo de dicha protección en el perno frontal de la protección. Apriete el perno frontal de la protección del disco.



AVISO No utilice esta cortadora sin el pestillo accionado y el perno instalado. No la utilice si está dañada.

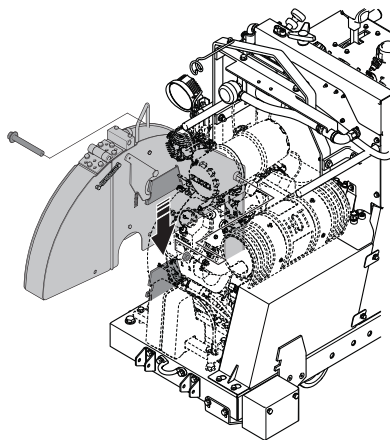
- Compruebe el funcionamiento de la máquina y preste atención a cualquier sonido extraño. Los sonidos extraños se deben a montajes incorrectos de la cuchilla.

Instalación de la protección del disco

Las protecciones del disco están protegidas contra deslizamiento con un bloqueo para las protecciones que se acciona en la mitad trasera de la protección del disco.

No utilice esta cortadora sin accionar el bloqueo. Inspeccione las protecciones del disco y los bloqueos con frecuencia. No la utilice si está dañada.

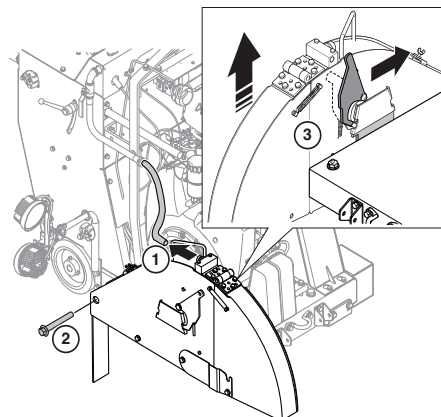
Baje la protección hasta la pala de apoyo y presione la protección del disco hacia abajo con moderación hasta que se bloquee.



Extracción de la protección del disco

- 1 Desconecte la manguera de agua de la protección de la hoja.
- 2 Retire el perno que sujeta la protección del disco.

- 3 Mueva el bloqueo de la protección del disco hacia delante hasta que se detenga y se abra. Levante la protección del disco con su manillar de la pala de apoyo.



Profundidad de corte del disco

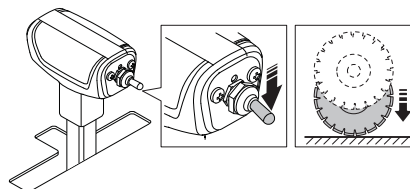
Esta sierra está equipada con un indicador de profundidad del disco que indica la profundidad a la que está cortando el disco. Esta sierra también incluye un tope de profundidad del disco que detiene la profundidad de corte del disco en una profundidad específica.

Para obtener más información acerca de la profundidad de corte máxima para los distintos tamaños de disco, consulte el apartado «Discos».

Uso del indicador de profundidad del disco

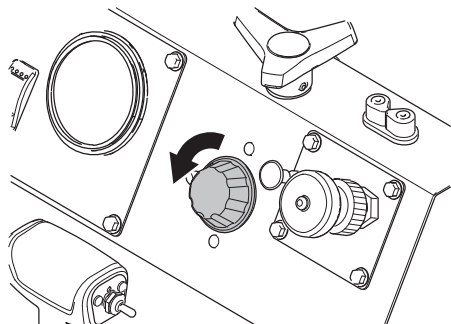
AVISO Corte únicamente a la profundidad indicada en las especificaciones del trabajo, ya que un corte más profundo puede causar problemas de resistencia estructurales.

- Si el motor está en marcha, gire el interruptor de encendido del motor a la posición OFF para detener el motor.
- Gire el interruptor de encendido del motor a la posición de encendido.
- Baje la sierra. Para ello presione el interruptor de elevación/descenso en la palanca de control de avance/retroceso hacia abajo hasta que el disco toque la superficie que se va a cortar. Este será el punto de referencia.



FUNCIONAMIENTO

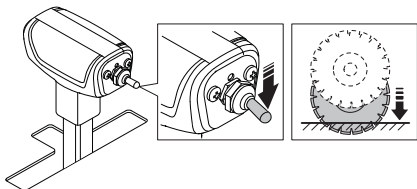
- Gire la rueda del indicador de profundidad del disco hasta la posición cero. La profundidad de corte del disco se indicará ahora en el indicador de profundidad cuando el disco baje sobre la superficie de corte.



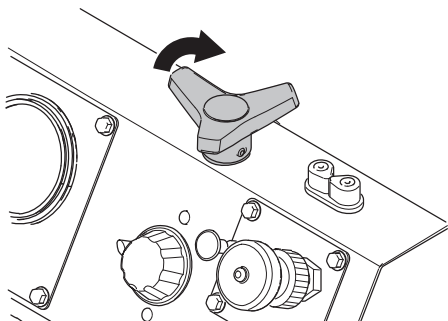
¡NOTA! El contacto debe ser suave para evitar dañar el disco. El mando de ajuste de la velocidad de descenso de la cortadora permite ralentizar la velocidad de descenso.

Uso del tope de profundidad del disco

- Baje la sierra. Para ello presione el interruptor de elevación/descenso en la palanca de control de avance/retroceso hacia abajo hasta que el disco esté a la profundidad deseada (como se indica en el indicador de profundidad del disco).



- Ajuste el tope de profundidad del disco girando la rueda en el sentido de las agujas del reloj hasta que quede apretado. Ahora la profundidad máxima de corte está configurada. Si se levanta la sierra por cualquier motivo ahora se podrá bajar hasta esta profundidad específica bajando el disco sobre la superficie de corte con el interruptor de elevación/descenso de la palanca de ajuste del régimen.



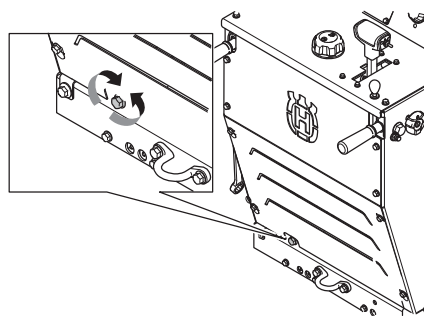
Corte en línea recta

Al cortar, el disco crea resistencia a la fuerza de empuje de las ruedas traseras, lo que hará que la máquina pierda momentáneamente su trayectoria en la misma dirección en la que está montado el disco. Este efecto puede contrarrestarse si se ajusta el ángulo del eje trasero mediante el ajuste de eje manual.

Ajuste del eje trasero

AVISO En primer lugar, afloje los pernos del eje trasero y la consola del motor de la rueda.

- El ángulo trasero se ajusta girando el perno de ajuste situado en la parte inferior izquierda del bastidor de la cortadora con una llave de 18 mm.
- Si la cortadora se dirige a la derecha mientras se corta, gire el perno de ajuste en el sentido contrario a las agujas del reloj.
- Si la cortadora se dirige a la izquierda mientras se corta, gire el perno de ajuste en el sentido de las agujas del reloj.

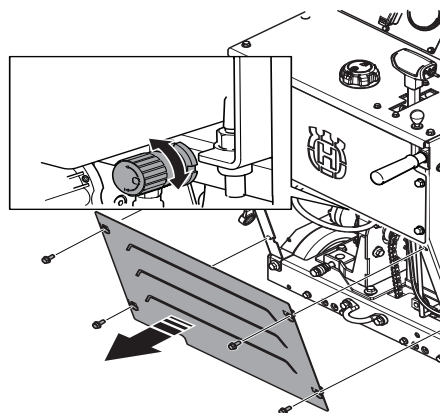


Sistema hidráulico

El sistema hidráulico de esta sierra se utiliza para subir / bajar la cuchilla de diamante y para impulsar la sierra hacia adelante o hacia atrás.

El sistema hidráulico consta de una transmisión hidrostática, una bomba de elevación hidráulica CC con una válvula de control de flujo y un cilindro de elevación hidráulica.

- La velocidad de bajada de la sierra se puede ajustar con la válvula de control de flujo. Si la sierra desciende demasiado rápido, gire la ruedecilla de la válvula de control de flujo en el sentido de las agujas del reloj hasta que se establezca una velocidad de bajada adecuada.



FUNCIONAMIENTO

Transporte y almacenamiento

- Desmonte el disco antes de transportar o almacenar la máquina para evitar dañarlo.
- Retire todas las herramientas y llaves de ajuste
- Cierre la válvula de cierre de combustible.



¡ATENCIÓN! Retire el disco de corte antes de levantar, cargar, descargar o transportar la máquina.

Transporte



¡ATENCIÓN! Desmonte siempre el disco de corte antes de transportar la máquina fuera de la zona de corte.

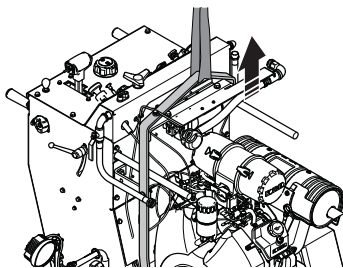


¡ATENCIÓN! Al desplazar la cortadora rampa arriba o abajo con el motor encendido, extreme la precaución. Para rampas pronunciadas, utilice siempre un tornillo. No se coloque nunca debajo de la máquina. Manténgase siempre a un lado.

- Para ir rampa abajo, dirija la cortadora hacia atrás lentamente.
- Para ir rampa arriba, dirija la cortadora hacia delante lentamente.

Elevación de la cortadora

- Proceda con cuidado en las elevaciones. Las piezas son pesadas, por lo que hay riesgo de daños por apriete y daños personales de otro tipo.
- Utilice siempre la argolla de izada montada en la máquina para levantarla.



Para transportarla en un vehículo

- Sujete bien el equipo durante el transporte para evitar daños y accidentes. Utilice las asas de sujeción inferior delantera y trasera de la cortadora instaladas de fábrica para evitar que se mueva durante el transporte.
- No remolque esta cortadora con otro vehículo, ya que podría dañar los componentes de la transmisión.

Almacenaje

Guarde el equipo en un lugar seguro fuera del alcance de los niños y las personas no autorizadas.

- Detenga el motor girando el interruptor de encendido del motor hasta la posición de parada.
- Coloque la palanca de control de avance/retroceso en la posición neutra/parada.

Para obtener más detalles sobre el transporte y el almacenamiento del combustible y la batería, consulte el apartado «Manipulación del combustible» y «Manejo de la batería».

Para obtener más detalles sobre el transporte y el almacenamiento de los discos, consulte el apartado «Discos».

Almacenamiento prolongado

Antes del almacenaje prolongado, limpie bien la máquina y haga el servicio completo. Lea el manual de instrucciones del motor para obtener información adicional sobre almacenamiento durante períodos largos

- Desmonte el disco para un almacenamiento adecuado.
- Cierre la válvula de cierre de combustible y vuelva a instalar la cubierta de protección trasera.
- Engrase todas las boquillas antes de guardar la máquina.
- Desconecte el terminal negativo y colóquelo a una distancia segura de la batería.
- Cargue la batería con un cargador cuando se guarde la máquina durante largos periodos de tiempo.
- Si la máquina se va a almacenar por un período largo, se debe vaciar el depósito de combustible. Pregunte en la estación de servicio más cercana qué hacer con el combustible sobrante.
- Guarde la máquina y el equipo en un lugar seco y protegido de la escarcha.
- Si la máquina se guarda en el exterior, tápela.
- Cambie el aceite del motor tras guardar la máquina durante un periodo prolongado.

ARRANQUE Y PARADA

Antes del arranque



¡ATENCIÓN! Lea detenidamente el manual de instrucciones y asegúrese de entender su contenido antes de utilizar la máquina.

Utilice el equipo de protección personal. Vea las instrucciones bajo el título "Equipo de protección personal".

Asegúrese de que no haya personas desautorizadas en la zona de trabajo, de lo contrario se corre el riesgo de ocasionar graves daños personales.

- Realice el mantenimiento diario. Consulte las instrucciones en el apartado «Mantenimiento y reparación».
- Asegúrese de que el disco no toca en ningún objeto al arrancar la máquina.

AVISO Lea el manual de instrucciones suministrado por el fabricante del motor.

Primer uso

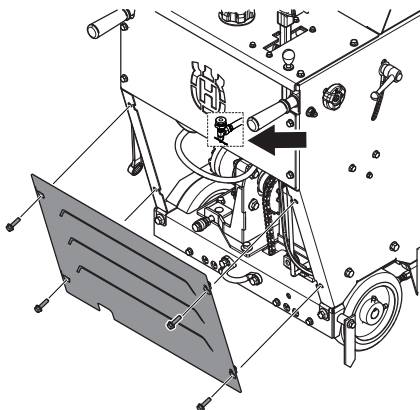
- Compruebe el nivel de aceite del motor sin el disco y la cortadora en horizontal para que quede nivelada.
- Conecte los cables de la batería. La cortadora de suelos se suministra sin los cables de batería conectados.

En algunos mercados no se suministran las baterías por motivos de seguridad durante el transporte. Instale una nueva batería.

Si desea obtener más información, consulte el apartado de «Datos técnicos».

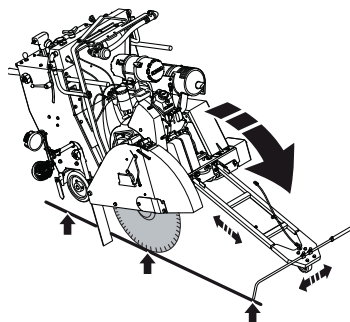
Esta máquina está equipada con una válvula de cierre de combustible. Para arrancar la máquina por primera vez:

- Llene el depósito de combustible.
- Retire la cubierta protectora trasera y abra la válvula de cierre de combustible.



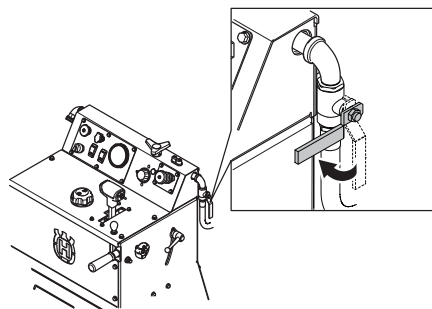
- Vuelva a instalar la cubierta de protección trasera.

- Baje la guía frontal y alinee la guía frontal, la guía posterior y el disco de diamante con la línea de la superficie. La guía frontal es telescópica. Ajuste el largo con los tornillos que hay en su interior.

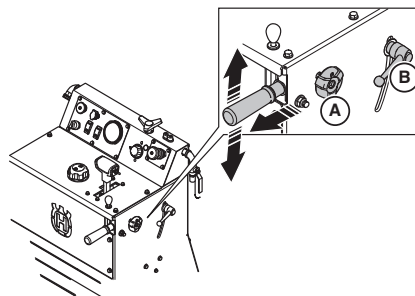


Arranque

- Conecte la máquina a un suministro de agua. Desactive la válvula de agua.

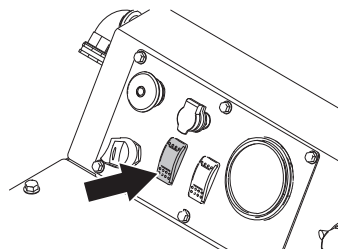


- Marque la superficie que se va a cortar dibujando una línea donde desee que se efectúe el corte.
- Tire de las barras del manillar hasta el largo y alto deseados, y apriete las manijas.



Arranque el motor

- Para poner en marcha la sierra cuando no hay presión del agua, ajuste el interruptor de seguridad de agua en la posición OFF.

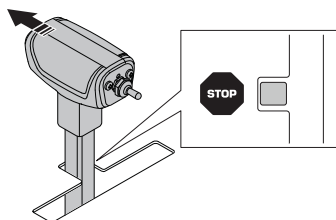


ARRANQUE Y PARADA

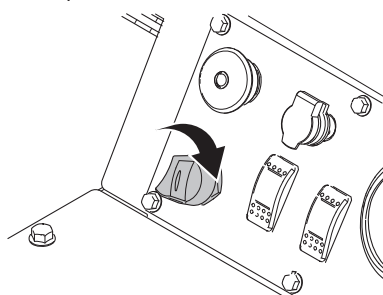
Sistema de seguridad de agua

El agua se utiliza para evitar el sobrecalentamiento del disco y controlar el polvo derivado del corte. El sistema de seguridad de agua controla la presión del agua a la máquina e interrumpe el proceso de corte si desciende la presión.

- Coloque la palanca de control de avance/retroceso en la posición neutra/parada. El motor no arrancará a menos que la palanca esté en la posición neutra/parada.



- Arranque el motor.



- Deje que se caliente el motor durante varios minutos al ralentí (mínimo).

No caliente la máquina fuera de la zona de corte si el disco está montado en la máquina. Para montar el disco, consulte las instrucciones del apartado 'Montaje del disco'.

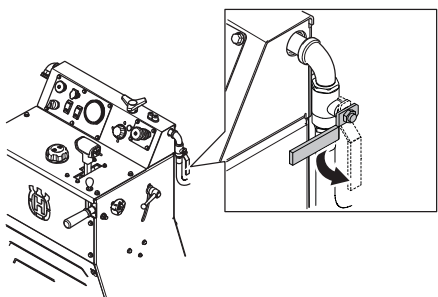
Empiece a cortar



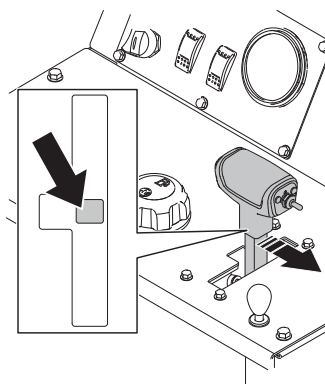
¡ATENCIÓN! No utilice nunca una hoja cuyo régimen nominal sea inferior al de la máquina. Asegúrese de que el disco está instalado correctamente.

AVISO Consulte el gráfico para obtener el eje del disco y los regímenes del motor apropiados para los tamaños de disco concretos.

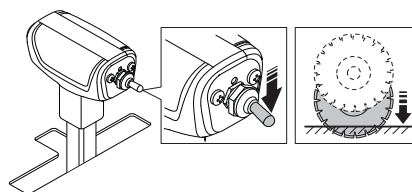
- Compruebe que el suministro de agua es adecuado. Un flujo de agua bajo dañará los discos de diamante. Conecte el interruptor de seguridad de agua en el panel de control y abra la válvula de agua.



- Cambie la palanca de control de avance/retroceso en una marcha.

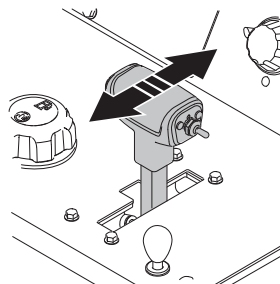


- Ponga el mando del acelerador del motor al máximo de r.p.m.
- Baje el disco. Para ello presione el interruptor de elevación/descenso en la palanca de control de avance/retroceso hacia abajo hasta que el disco se encuentre a la profundidad de corte deseada. Para obtener más información, consulte el apartado 'Profundidad de corte del disco'.



¡NOTA! Al bajar el disco hasta un corte parcial, alínelo exactamente con el corte para evitar dañarlo.

- Mueva la sierra hacia delante lentamente pulsando la palanca de control de avance/retroceso. Escuche el sonido del motor. Si el motor comienza a ralentizarse, compénselo tirando de la palanca de control de avance/retroceso hacia atrás para reducir la alimentación de material e impedir que el disco se atasque. Asegúrese de que la guía frontal, la guía trasera y el disco de diamante permanezcan alineados.



ARRANQUE Y PARADA

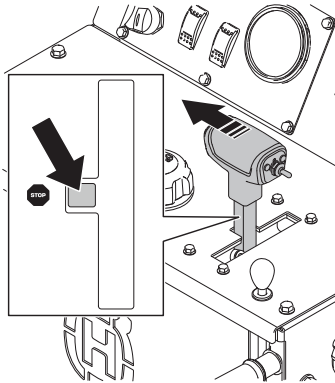
Parada



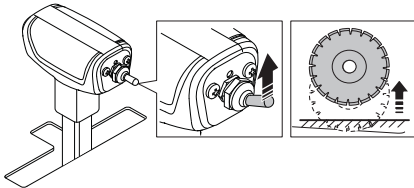
¡ATENCIÓN! Mantenga siempre el disco y las demás piezas móviles alejadas de todas las partes del cuerpo.

Detenga el corte.

- Coloque la palanca de control de avance/retroceso en la posición neutra/parada.

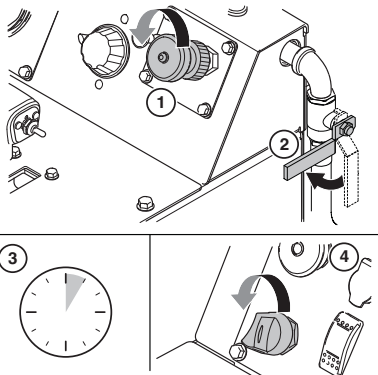


- Suba el disco de diamante hacia fuera de la zona de corte. Para ello, presione hacia arriba el interruptor de elevación/descenso en la palanca de control hasta que el disco de diamante despeje las superficies.




Pare el motor

- 1 Gire el mando del acelerador del motor hasta la posición de ralentí.
- 2 Desactive la válvula de agua.
- 3 Deje que el motor funcione al ralentí durante unos minutos antes de apagarlo. Hágalo dentro de la zona de corte y no deje la máquina sin supervisión.
- 4 Detenga el motor girando el interruptor de encendido del motor hasta la posición de parada.



MANTENIMIENTO Y REPARACIÓN

Generalidades



¡ATENCIÓN! La mayoría de accidentes con máquinas se producen durante la localización de fallos, reparación y mantenimiento, ya que el personal tiene que localizar por sí mismo la zona de riesgo de la máquina. Evite los accidentes estando alerta y planificando y preparando los trabajos con antelación.

Si las operaciones de reparación requieren que el motor esté en funcionamiento, tenga en cuenta los riesgos de trabajar con componentes móviles o cerca de ellos.

Realice las tareas de mantenimiento y reparación de conformidad con este Manual del usuario para evitar la aparición de averías y para conservar el valor de la máquina.

Asimismo, realice un mantenimiento de las herramientas y los accesorios de la máquina.

El usuario sólo puede efectuar los trabajos de mantenimiento y servicio descritos en este manual. Los trabajos de mayor envergadura debe efectuarlos un taller de servicio oficial.

Para las reparaciones, utilice solamente repuestos originales.

Medidas previas al mantenimiento, la reparación y la localización de fallos

Generalidades

- Compruebe que la máquina está situada en una zona segura.
- Antes del arranque, estacione siempre la máquina en una superficie nivelada con el motor apagado y el interruptor de encendido del motor ajustado en la posición de parada. Pulse el botón de parada de la máquina en el panel de control.
- Diversos componentes se calientan durante los trabajos realizados con la máquina. No inicie ninguna tarea de mantenimiento o reparación hasta que la máquina se haya enfriado.
- Coloque señales visibles para indicar a las personas de los alrededores que se están llevando a cabo tareas de mantenimiento.
- Controle que la zona de trabajo esté bien iluminada para lograr un entorno seguro.
- Averigüe la ubicación de los extintores de incendios, el botiquín y el teléfono de emergencia.
- Retire el disco de corte antes de realizar operaciones de mantenimiento, reparaciones o de localización de fallos.


Equipo de protección

- Utilice el equipo de protección personal. Vea las instrucciones bajo el título "Equipo de protección personal".

Entorno de trabajo

- La zona de alrededor de la máquina debe estar limpia para minimizar el riesgo de deslizamiento.

Limpieza



¡NOTA! Cuando limpie la máquina, corre el riesgo de que se le introduzcan partículas de suciedad y sustancias peligrosas en los ojos.

Cuando se utilizan equipos de alta presión es posible que la máquina expulse partículas de suciedad y sustancias peligrosas.

La limpieza con agua o aire a alta presión puede hacer que penetren partículas bajo la piel y provocar daños graves. Nunca dirija un chorro de alta presión hacia la piel.

Después de cada uso, limpie la máquina cuando se haya enfriado.

Método de limpieza

El método de limpieza depende del tipo de contaminantes y del nivel de suciedad de la máquina. Puede utilizar un agente desengrasante no abrasivo. Evite el contacto con la piel. Utilice limpiadores de alta presión para limpiar la máquina.

Limpieza de componentes

Existe una serie de componentes que requieren especial atención en su limpieza.

AVISO No utilice limpiadores de alta presión para limpiar el panel de control.

Motor

- Mantenga una distancia de al menos 40 cm entre la boquilla y el motor, y sus componentes. No pulverice con demasiada fuerza sobre el motor para evitar dañar los componentes eléctricos, como los enchufes y el alternador. No dirija agua directamente sobre el tubo de escape o el filtro de aire del motor.

Después del lavado

- Lubrique todos los puntos de lubricación de la máquina.
- Limpie los terminales eléctricos en seco utilizando aire comprimido.
- Deje que la máquina se seque totalmente antes de ponerla en marcha.
- Preste atención cuando arranque la máquina después del lavado. Si algún componente se ha dañado debido a la humedad, los movimientos de la máquina pueden resultar defectuosos.

MANTENIMIENTO Y REPARACIÓN

Programa de mantenimiento

El programa de mantenimiento se basa en el tiempo de funcionamiento de la máquina. Es posible que se requieran intervalos de mantenimiento más frecuentes cuando se trabaja en entornos muy calurosos o con mucho polvo, así como en actividades que generan altas temperaturas. En la revisión de mantenimiento puede consultarse una descripción de cómo realizar las operaciones.

Para determinados requisitos de mantenimiento, consulte los intervalos de mantenimiento en el programa siguiente y lleve un registro para la próxima revisión. La máquina registrará las horas de trabajo, que pueden verse en la pantalla.

- Antes de realizar tareas de mantenimiento, estacione siempre la máquina en una superficie nivelada con el motor apagado y el interruptor de encendido del motor ajustado en la posición de parada. Pulse el botón de parada de la máquina en el panel de control.

Lea detenidamente el manual del motor de la máquina y asegúrese de entender su contenido antes de utilizar la máquina. En el manual del motor se indican algunos intervalos de mantenimiento.

Mantenimiento diario

El mantenimiento diario también debe llevarse a cabo después del transporte.

	Diariamente	50 h	100 h	250 h	500 h	Una vez al año
Vea si hay fugas de combustible y aceite.	X					
Compruebe el nivel de aceite del motor	X					
Compruebe que la protección de el disco no presente daños	X					
Revise que las mangueras y las abrazaderas estén libres de daños y no estén flojas. Apriete o sustituya según sea necesario.	X					
Compruebe el indicador de restricción del purificador de aire. Limpie el filtro de aire exterior si el indicador se ilumina en rojo.	X					
Asegúrese de que todas las protecciones de seguridad están en su sitio y en buen estado.	X					
Compruebe la pulverización de agua sobre el disco de diamante.	X					
Cambie el filtro y el aceite del motor*		X				
Lubrique las ruedas delanteras.		X				
Lubrique el eje del disco (2 bombas cada extremo)		X				
Compruebe que la correa de transmisión no esté gastada.		X				
Cambie el filtro y el aceite del motor*			X			
Lubrique las ranguas del eje frontal.			X			
Compruebe que las ruedas no presenten desgaste o daños.			X			
Compruebe que las ruedas traseras no estén flojas.			X			
Compruebe la manguera y las abrazaderas del purificador de aire del motor.			X			
Compruebe el nivel del líquido del sistema hidráulico.			X			
Lubrique la clavija del pivote del cilindro hidráulico.				X		
Lubrique el cojinete del eje trasero.				X		
Sustituya el líquido del sistema hidráulico.					X	
Sustituya el filtro de combustible del motor (de tipo roscado).					X	
Sustituya los filtros de aire exterior e interior.						X

* Una vez a las 50 h y luego cada 100 h

MANTENIMIENTO Y REPARACIÓN

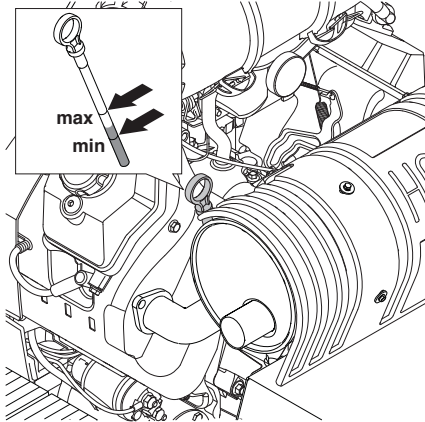
Mantenimiento diario



¡ATENCIÓN! Los trabajos de control y/o mantenimiento deben efectuarse con el motor desconectado.

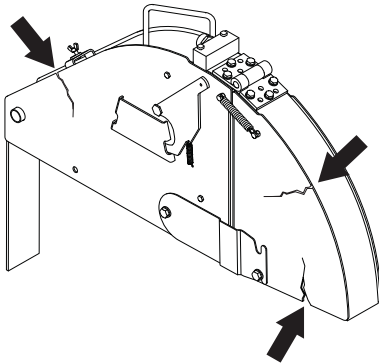
Compruebe el nivel de aceite del motor sin el disco y la cortadora en horizontal para que quede nivelada.

- Compruebe el nivel de aceite del motor.
- Asegúrese de que el nivel queda dentro de los límites.



Compruebe que la protección de el disco no presente daños

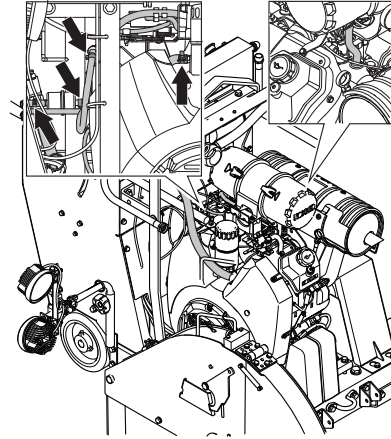
- Compruebe que la protección del disco no presente grietas.



- No utilice nunca una protección de disco dañada o desgastada.

Compruebe que todas las mangueras y las abrazaderas estén libres de daños y no estén flojas.

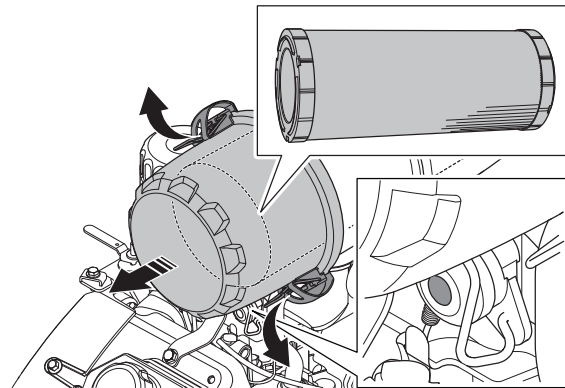
La imagen solo muestra algunas de las mangueras y abrazaderas.



- Examine que no haya fugas de combustible y el sistema hidráulico. Apriételos o cámbielos si es necesario.

Compruebe el indicador de restricción del purificador de aire.

- Revise y limpie el filtro de aire exterior si el indicador del purificador de aire se muestra en rojo. Retire la cubierta posterior. Para ello, abra las 2 abrazaderas de la caja del filtro de aire y tire de la carcasa hacia fuera.



MANTENIMIENTO Y REPARACIÓN

- Un filtro de aire averiado debe cambiarse.



¡NOTA! Al cambiar el filtro, puede salir polvo perjudicial para la salud. Use protección respiratoria apropiada. Deshágase de los filtros correctamente.

El filtro no debe limpiarse con aire comprimido, ya que puede resultar dañado. Los filtros pueden limpiarse con un aspirador, pero evite golpear su superficie o arrastrar elementos por ella, ya que puede dañar el filtro.

No utilice lavados a alta presión, ya que puede dañar el filtro.

Un filtro lavado debe estar totalmente seco antes de volver a colocarlo de nuevo en el equipo.

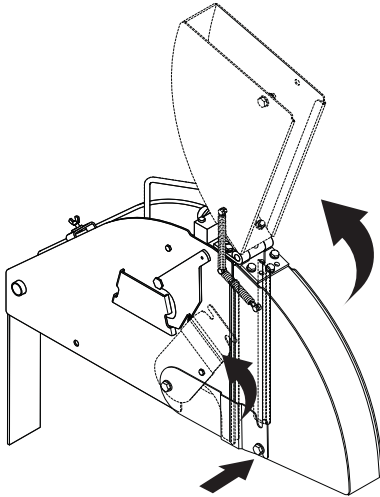
Cubiertas protectoras

- Asegúrese de que todas las cubiertas protectoras están en su sitio y en buen estado.

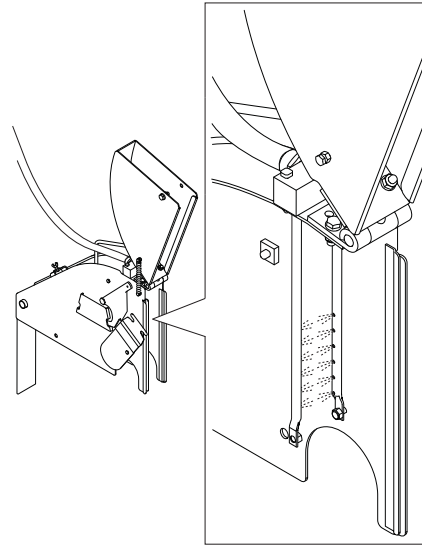
Si desea obtener más información, consulte el apartado «Equipo de seguridad de la máquina».

Compruebe la pulverización de agua sobre el disco de diamante.

- Levante la parte frontal de la protección del disco y utilice la clavija de liberación rápida para bloquearlo en la posición elevada.



- Abra la válvula de agua en el panel de control. Asegúrese de que salen chorros de agua directos de los orificios de las tuberías de agua a ambos lados del disco y que no hay fugas. Sustituya la tubería de agua si estuviera dañada.



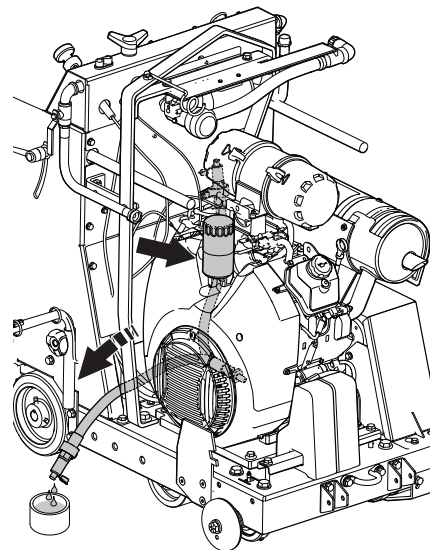
Tras las primeras 50 horas

Cambie el filtro y el aceite del motor.

- Retire el tapón superior de la manguera. Abra la válvula y dóblela hacia abajo para vaciar el sistema.

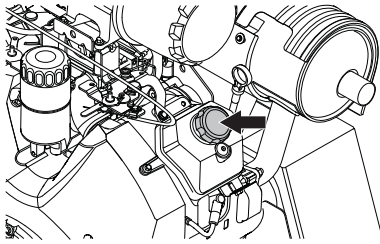
Retire el filtro de aire y cámbielo.

Lubrique la junta con unas gotas de aceite antes de volver a colocarla.



MANTENIMIENTO Y REPARACIÓN

- Rellene el sistema con aceite.



- Compruebe el nivel de aceite del motor. Para ello, consulte las instrucciones del apartado «Mantenimiento diario».

Mantenimiento de 50 horas

Tensor automático de la correa de transmisión del eje del disco

Esta máquina está equipada con un dispositivo dinámico de tensión de la correa que no requiere ajustes ni mantenimiento.

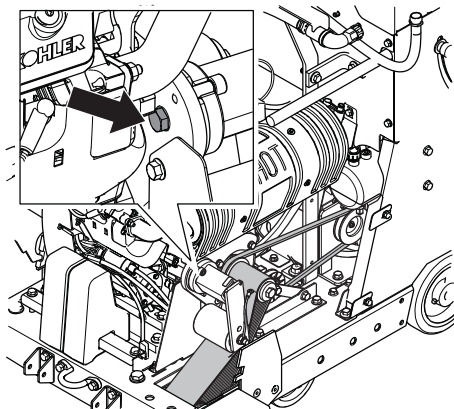
La tensión correcta se ajusta durante el montaje en producción. Sin embargo, si se debe sustituir la correa u otros componentes, siga los 6 pasos siguientes para realizar el procedimiento correcto.

Herramientas necesarias

- Llave de 13 mm. (no incluida con la máquina)
- Llave de 19 mm. (no incluida con la máquina)
- Llave ajustable (no incluida con la máquina)
- Llave Allen, 8 mm (no incluida con la máquina)

Para aflojar la tensión de la correa

- Utilice llave de 13 mm. para abrir los 4 pernos M8 que fijan la protección de la correa. Desmonte la protección de la correa.
- Utilice la llave Allen para quitar el tornillo Allen (tornillo de fijación).
- Utilice una llave de 19 mm para aflojar ligeramente el tornillo que fija el dispositivo de tensión a la placa.



Para ajustar la tensión correcta

- Con una llave ajustable, gire la base del dispositivo de tensión en el sentido de las agujas del reloj para ajustar la tensión previa necesaria. Si el ángulo del dispositivo de tensión muestra 25° y la ranura de la base del dispositivo de tensión está alineada con el orificio de la placa: apriete el tornillo de fijación con una llave 19 mm.

- Vuelva a colocar el tornillo Allen con la llave Allen.
- Vuelva a instalar la protección de la correa. Utilice una llave de 13 mm. para apretar los 4 pernos M8 que fijan la protección de la correa.



¡NOTA! Sustituya siempre las correas polirranuradas en V si están desgastadas o dañadas.

Lubrique el eje del disco (2 bombas cada extremo)

Consulte las instrucciones del apartado «Lubricación».

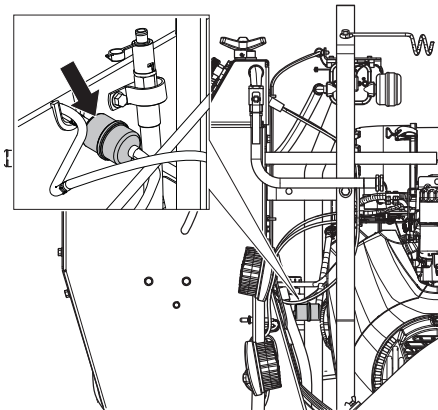
Lubrique las ruedas delanteras.

Consulte las instrucciones del apartado «Lubricación».

Mantenimiento de 100 horas

Sustituya el filtro de combustible del motor (tipo en línea)

- Cierre la válvula de cierre de combustible del depósito de combustible. Retire el filtro de combustible soltándolo del circuito del combustible. Sustituya el filtro de combustible. Tenga cuidado con el combustible que pudiera derramarse.



Cambie el filtro y el aceite del motor.

Consulte las instrucciones del apartado «Tras las primeras 50 horas».

Compruebe que las ruedas no presenten desgaste o daños.

Compruebe que las ruedas traseras no estén flojas.

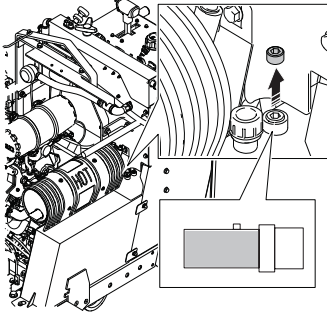
Compruebe la manguera y las abrazaderas del purificador de aire del motor.

Compruebe el nivel del líquido del sistema hidráulico.

- Asegúrese de que la máquina está en su posición más baja.

MANTENIMIENTO Y REPARACIÓN

- Retire el tapón de la abertura para inspección del depósito hidráulico. El nivel debería llegar al borde inferior de la abertura del depósito hidráulico. Rellene si fuera necesario.



AVISO No lo llene en exceso.

Lubrique las ranguas del eje frontal.

Consulte las instrucciones del apartado «Lubricación».

Mantenimiento de 250 horas

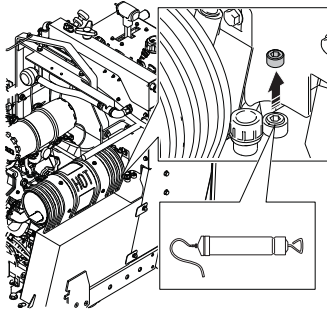
Lubrique el cojinete del eje trasero.

Consulte las instrucciones del apartado «Lubricación».

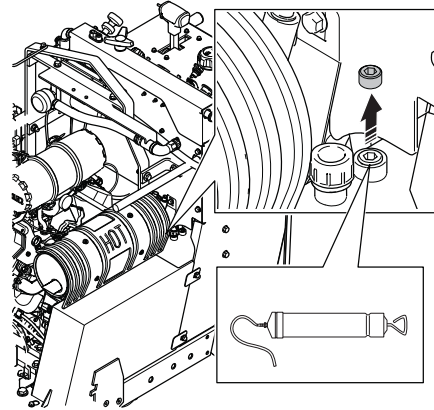
Mantenimiento de 500 horas

Sustituya el líquido del sistema hidráulico.

- Asegúrese de que la máquina está en su posición más baja.
- Retire el tapón de la abertura para inspección del depósito hidráulico y utilice un extractor de aceite para aspirar el líquido hacia fuera a través de dicha abertura.



- Rellene el depósito con aceite nuevo. Asegúrese de que la máquina está en su posición más baja.

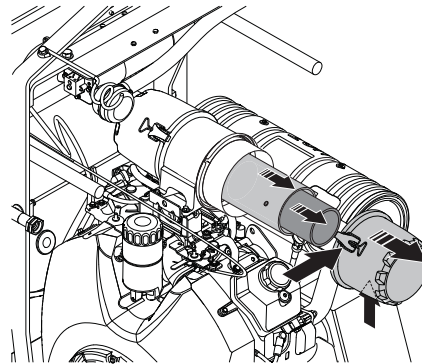


AVISO No lo llene en exceso.

Mantenimiento anual

Sustituya los filtros de aire exterior e interior.

Retire la cubierta posterior. Para ello, abra las 2 abrazaderas de la caja del filtro de aire y tire de la carcasa hacia fuera. Sustituya ambos filtros y vuelva a montarlos en el orden inverso.



¡NOTA! Las 2 abrazaderas de la caja del filtro de aire no pueden cerrarse a no ser que el filtro de aire exterior esté instalado correctamente.

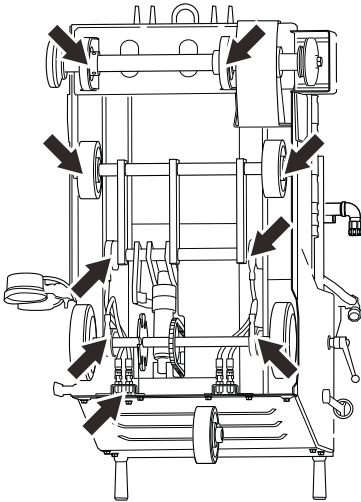
MANTENIMIENTO Y REPARACIÓN

Lubricación

La imagen muestra todos los puntos de lubricación (8 boquillas de engrase). Limpie la boquilla. Sustituya las boquillas rotas u obturadas.

- Lubrique las ruedas delanteras.
- Lubrique las ranuras del eje frontal.
- Lubrique el eje del disco. Dos bombas a cada lado.
- Lubrique el cojinete del eje trasero.

Lubrique el eje del disco en la parte superior de la placa base.



Desecho y eliminación

Este producto se debe enviar a una estación de reciclaje apropiada de acuerdo con las normativas locales. Haciendo que este producto sea manipulado adecuadamente, se ayuda a evitar consecuencias negativas potenciales para el medio ambiente y las personas, lo que puede ocurrir con la manipulación inadecuada como residuos del producto. Para obtener información más detallada sobre el reciclado de este producto, contacte con la oficina municipal local, con el servicio de eliminación de desperdicios domésticos o con la tienda donde compró el producto.



LOCALIZACIÓN Y CORRECCIÓN DE AVERÍAS

Incidencias durante el corte

¡NOTA! Si el motor o el disco se detienen por algún motivo, levante el disco completamente de la zona de corte. Coloque el interruptor de encendido del motor en la posición de parada. Pulse el botón de parada de la máquina en el panel de control. Inspeccione la máquina con atención antes de volver a arrancar el motor.

- Todas las reparaciones deberán realizarse únicamente en un distribuidor autorizado.

Problema	Causa	Posible acción
El motor se detiene durante el corte	Motor sin combustible.	Llene el depósito de combustible
	El interruptor de seguridad de agua indica la falta de agua para parar el motor	Desconecte el interruptor de seguridad de agua y compruebe suministro de agua y, a continuación, arranque el motor.
	Se ha pulsado el botón de parada de la máquina	Restablezca el botón para detener la máquina tirando la perilla hacia afuera.
	Un corte excesivamente rápido atascará el motor	Escuche el sonido del motor. Si el motor comienza a ralentizarse, compénselo tirando de la palanca de control de avance/retroceso hacia atrás para reducir la alimentación de material e impedir que el disco se atasque.
	El fusible del disyuntor está fundido	Inspeccione y sustituya los fusibles
el disco de diamante se detiene durante el corte	La tensión de la correa de transmisión es inadecuada	Se debe sustituir la correa de transmisión o el tensor ROSTA.
La sierra desciende demasiado rápido	La válvula que controla el descenso de la sierra se abre demasiado.	La velocidad de bajada de la sierra se puede ajustar mediante el ajuste de la rueda del régimen de descenso de la sierra en o bajo la bomba hidráulica. Si la sierra desciende demasiado rápido, gire la rueda en el sentido de las agujas del reloj hasta que defina una velocidad de bajada adecuada.
El disco corta con demasiada lentitud.	El disco se ha desafilado o la presión de alimentación es demasiado alta	Disminuya la profundidad de corte y el régimen del motor durante un breve espacio de tiempo

DATOS TECNICOS

Batería

	FS 3500 G
Tipo de terminal	Norma SAE
Tensión, V	12
CCA, A	475
Tamaño máximo (LxPxA), mm/ pulg.	242x175x175 / 9 9/16x6 7/ 8x6 7/8

Líquido hidráulico y lubricantes

Líquido hidráulico

Calidad	Estándar
SAE 10W-30	API Class SE
	API Class CC
	API class CD

Lubricantes

Componente	Calidad	Estándar	Capacidad del depósito de aceite, litros/cuarto de galón
Aceite de motor	SAE 10W-30	Clasificación API: clase SJ	2/1.9
Bomba hidrostática	SAE 10W-30		0.19/0.18
Bomba de elevación	SAE 10W-30		1.0/0.95
Puntos de lubricación (placa base)*	NLGI 2	SAE J310	

* Consulte las instrucciones en el apartado «Mantenimiento y reparación».

DATOS TECNICOS

Datos técnicos

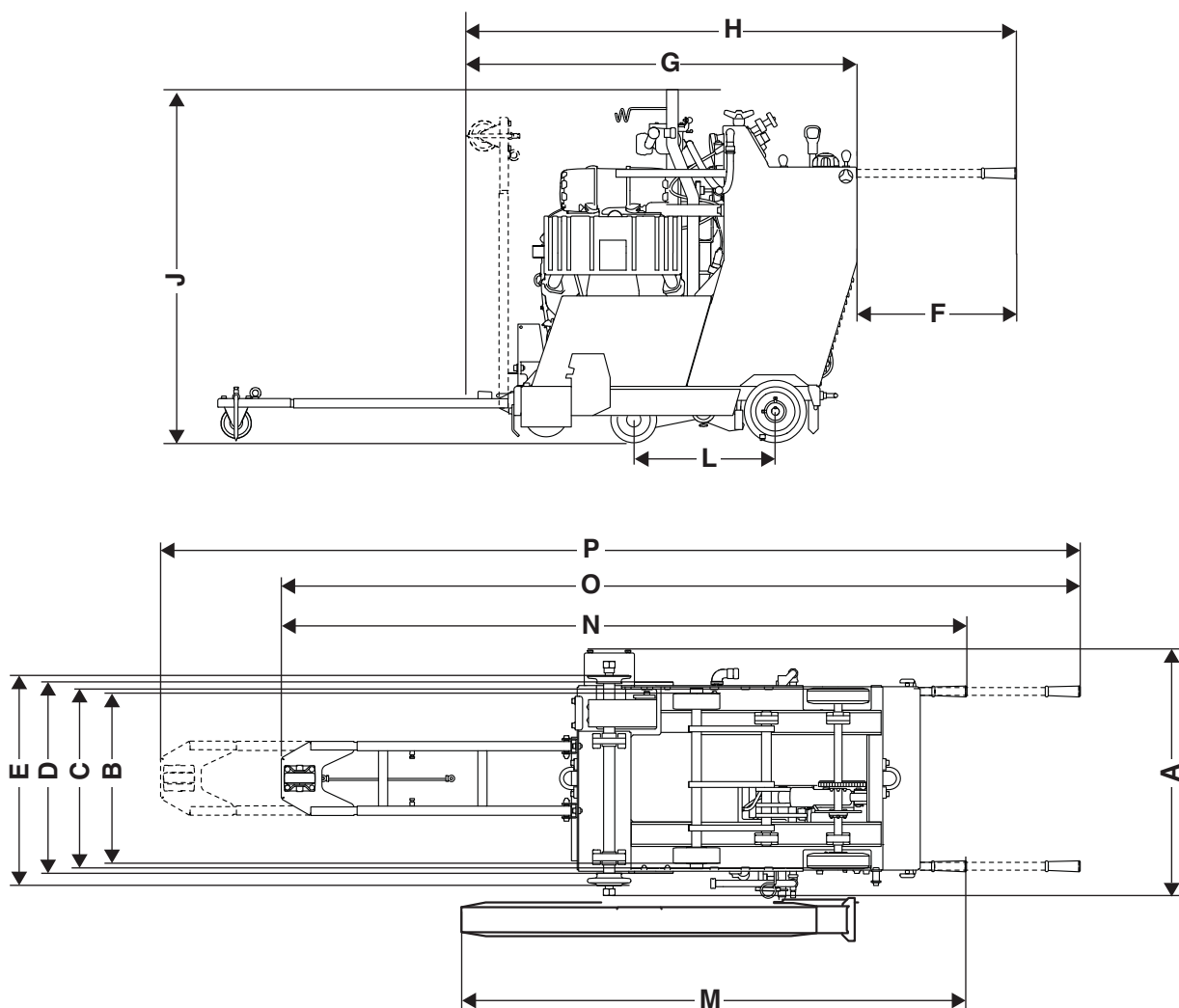
FS 3500 G

Característica de la sierra	500/20	650/26	750/30
Capacidad de protección del disco, mm/pulg.	500/20	650/26	750/30
Profundidad máxima de corte, mm/pulg.	192/7.72	255/10.25	305/12.25
Eje del disco, rpm	2580	1860	1860
Potencia aproximada del eje del disco, CV/kW	29/21.6		
Tamaño del árbol, mm/pulgada	25.4/1 con un único botador		
Brida de disco de desconexión rápida Ø, mm/pulg.	114.5/4.5	127/5	127/5
Diámetro del eje del disco, mm/pulg.	44.45 / 1-3/4		
Cojinetes del eje de la cuchilla, mm/pulgadas	Cojinetes de bolas de apoyo 44.45 / 1-3/4		
Transmisión del eje del disco	Correa polirranuradas en V (25 nervaduras)		
Refrigerante del disco	Tubos de pulverización de agua de varios chorros duales chapados con zinc		
Accesorio de protección del disco	Deslizante, cierre automático		
Control del disco	La bomba electro-hidráulica eleva el disco; elevación y descenso controlados por interruptor en el mango de ajuste del régimen; tope de profundidad e indicador de la profundidad de corte.		
Eje Ø, mm/pulg.	Frente, 25.4/1 Parte trasera, 25.4/1		
Ruedas, mm/pulg.	Parte delantera, 152x51x25/6x2x1, banda de rodadura de poliuretano gruesa, cojinete de bolas sellado que requiere menos mantenimiento Parte trasera, 203x51x25/8x3x1, goma maciza		
Transmisión	Bomba hidrostática con un motor de rueda hidráulico conectado con mangueras, transmisión final por cadena, interruptor de encendido en punto muerto, palanca de control de velocidad única.		
Velocidad máxima de avance	Variable continua: 0-51 m/min / 0-167 pies por minuto (PFM) hacia delante y hacia atrás. 25 m/min, velocidad máxima de marcha atrás en los modelos CE		
Chasis	Construcción de sección de canal y caja de forma rígida y resistente		
Peso (sin embalaje) en kg/lb	409/902	413/911	416/917
Masa máxima de funcionamiento, kg/lb	431/950	440/970	447/985

DATOS TECNICOS

Dimensiones de la cortadora

A	Anchura, mm/pulg.		807 / 31 3/4	H	Largo de la sierra (con indicador arriba, manijas extendidas), milímetros/pulgadas	1977 / 77 3/4
B	Anchura de rueda de centro a centro, mm/pulg.	Delantero	502 / 19 3/4	J	Altura min. total (sin tubo del tubo de escape, sin la tapa del purificador), milímetros/pulgadas	1152 / 45 3/8
		Trasero	540 / 21 1/4			
C	Anchura de rueda de exterior a exterior, mm/pulg.	Delantero	553 / 21 13/16	L	Largo de la base de las ruedas, milímetros/pulgadas	464 / 18 1/4
		Trasero	591 / 23 1/4	M	Largo desde la protección hasta la manija (manijas guardadas), milímetros/pulgadas	1549 / 61
D	Anchura de marco, mm/pulg.		606 / 23 7/8	N	Largo máx. total (con manijas guardadas), milímetros/pulgadas	2210 / 87
E	Anchura de brida interior a brida interior, mm/pulg.		687/27-1/4	O	Largo máx. total (con manijas extendidas, indicador abajo), milímetros/pulgadas	2895 / 114
F	Extensión de manillar, mm/pulg.		809 / 31 7/8	P	Largo máx. total (con manijas extendidas, indicador extendido), milímetros/pulgadas	3378 / 133
G	Longitud mínima de la sierra (manillares retirados, guía y protección), mm/pulg.		1168 / 46			



DATOS TECNICOS

Motor FS 3500 G

Especificaciones del motor	Kohler CH1000
Salida máxima del motor (véase la nota 1)	37hp@3750rpm (27.5kW@3750rpm)
Cilindrada, dm ³ / cu.in.	1.0/61
Cylinders	2
Motor de dos tiempos, mm/pulg.	78.5/3.1
Capacidad del depósito de combustible, l/galón	23.8/6.3
Filtro de aire	Filtro de aire ciclónico e indicador de restricción
Arranque	Eléctrico

Para obtener más información y realizar preguntas acerca de este motor en concreto, www.kohlerengines.com.

Nota 1: Tal como lo especifique el fabricante del motor. La potencia de salida del motor indicada es la potencia neta media (a las r.p.m. especificadas) de un motor de serie típico según el modelo de motor conforme a la norma ISO3046, SAE J1940/J1995. Los motores fabricados en serie podrían presentar valores diferentes. La potencia real desarrollada por el motor instalado en su máquina dependerá de la velocidad de funcionamiento, condiciones medioambientales y de otras variables.

Emisiones de ruido

	FS 3500 G
Emisiones de ruido (vea la nota 1)	
Nivel de potencia acústica medido dB(A)	107
Nivel de potencia acústica garantizado L _{WA} dB(A)	110
Niveles acústicos (vea la nota 2)	
Nivel de presión acústica en el oído del usuario, dB(A)	95
Niveles de vibraciones, a_{hv} (vea la nota 3)	
Empuñadura derecha, m/s ²	1.6
Empuñadura izquierda, m/s ²	3.8

Nota 1: Emisiones sonoras en el entorno medidas como potencia acústica (L_{WA}) según la directiva CE 2000/14/CE. La diferencia entre la potencia sonora garantizada y medida es que la potencia sonora garantizada también incluye la dispersión en el resultado de la medición y las variaciones entre diferentes máquinas del mismo modelo, según la Directiva 2000/14/CE.

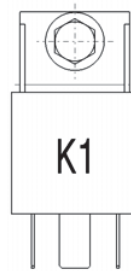
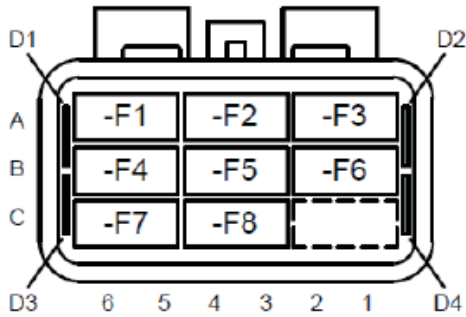
Nota 2: Nivel de presión sonora conforme a EN 13862. Los datos referidos del nivel de presión sonora tienen una dispersión estadística habitual (desviación estándar) de 4,0 dB(A).

Nota 3: Nivel de vibración conforme a EN 13862. Los datos referidos del nivel de vibración poseen una dispersión estadística habitual (desviación típica) de 1 m/s².

RELÉS Y FUSIBLES

Relés y fusibles – FS 3500 G

Funcionamiento		Designación	Amperio
Sistema principal		-F1	20
Encendido		-F2	15
Sistema hidráulico		-F3	5
Solenoides en carburador del motor		-F4	5
Instrumentos		-F5	2
Kit de bomba de agua	(opcional)	-F6	10
Juego de luces	(opcional)	-F7	10
Kit de toma de corriente	(opcional)	-F8	15
Relé principal		-K1	20
Relé de supresión		-K2	10
Relé de control de nivel de aceite		-K3	5



DECLARACIÓN CE DE CONFORMIDAD

Declaración CE de conformidad

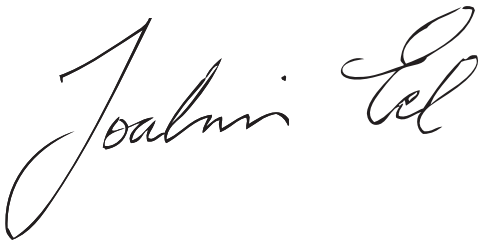
(Rige sólo para Europa)

Husqvarna AB, SE-561 82 Huskvarna (Suecia), telf. +46-36-146500, declara bajo su única responsabilidad que la cortadora de suelos **Husqvarna FS 3500 G** a partir de los números de serie del año 2018 en adelante (el año se indica claramente en la placa de características, a continuación del número de serie) cumple los requisitos de las DIRECTIVAS DEL CONSEJO:

- **2006/42/CE** «relativa a máquinas» del 17 de mayo de 2006.
- **2014/30/UE**, "referente a compatibilidad electromagnética", del 26 de febrero de 2014.
- **2000/14/CE**, "sobre emisiones sonoras en el entorno" del 8 de mayo de 2000.

Se han aplicado las siguientes normas: **EN ISO 12100:2010, CISPR12:2007+Amd1:2009, EN55012:2008+A1:2009, EN13862+A1:2009, EN ISO 14982:2009, ISO 13766:2006**. RISE SMP Svensk Maskinprovning AB, Box 7035, SE-750 07 Uppsala, Suecia, ha llevado a cabo un examen de tipo voluntario conforme a la directiva relativa a maquinaria (2006/42/CE) para Husqvarna AB. El certificado tiene el número: **SEC/16/2457**

Partille, 1 de enero de 2018



Joakim Ed

Director mundial de I+D

Construction Equipment Husqvarna AB

(Presentante autorizado de Husqvarna AB y responsable de la documentación técnica.)

SYMBOLERKLÄRUNG

Symbole am Gerät:

Einige der folgenden Symbole beziehen sich auf den CE-Markt.

WARNUNG! Das Gerät kann falsch oder nachlässig angewendet gefährlich sein und zu schweren oder gar lebensgefährlichen Verletzungen des Benutzers oder anderer Personen führen.



Lesen Sie die Bedienungsanleitung sorgfältig durch und machen Sie sich mit dem Inhalt vertraut, bevor Sie das Gerät benutzen.



Tragen Sie persönliche Schutzausrüstung. Siehe die Anweisungen unter der Überschrift "Persönliche Schutzausrüstung".



Jegliches Bewegen der Maschine außerhalb des Schneidbereichs muss ausgeführt werden, wenn sich das Werkzeug nicht in Rotation befindet.



Entfernen Sie die Klinge vor dem Anheben, Be- und Entladen sowie Transportieren der Maschine.



Der Pfeil auf dem Werkzeugschutz gibt die Rotationsrichtung des Werkzeugs an.



Die Schutzvorrichtungen müssen stets an der Maschine angebracht sein. Die Exposition der Klinge darf 180° niemals überschreiten.



Die Schneidausrüstung kontrollieren. Niemals eine stumpfe, rissige oder beschädigte Ausrüstung benutzen.



Die Klingen müssen dieselbe oder eine höhere Drehzahl als auf dem Kennschild der Maschine aufweisen. Eine Trennscheibe mit zu hoher Geschwindigkeit kann brechen oder schwere Schäden verursachen.



Verwenden Sie das Gerät nicht in der Nähe von brennbaren Materialien oder Gasen.



WARNUNG! Beim Schneiden bildet sich Staub, der beim Einatmen Gesundheitsschäden hervorrufen kann. Einen zugelassenen Atemschutz tragen. Das Einatmen von Benzindämpfen und Abgasen vermeiden. Für gute Belüftung sorgen.



Heiße Oberfläche.



Maschinengefahr! Halten Sie Hände und Füße von der Klinge und allen anderen beweglichen Teilen entfernt.



Vorsicht, Schneidegefahr



Einstellung der Wasserzufuhr



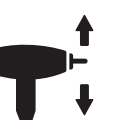
Untere Klinge



Schalter, um die Klinge abzusenken und anzuheben



Zündung ein



Motor startet



Motor stoppt



Maschinen-Stopp



Getriebestopp



Kraftstoff auffüllen Nur bleifreien Kraftstoff verwenden



Choke



Motoröl



Messstab, richtigen Motoröl-Pegel einhalten



Heben Sie die Säge nicht an, wenn Sie den Ölstand prüfen.



SYMBOLERKLÄRUNG

Feststellbremse

Aktiviert / deaktiviert



Belassen Sie die Säge horizontal und ohne Klinge, wenn Sie den Ölstand prüfen.



Verwenden Sie zum Anheben des Geräts immer die dafür vorgesehene Hebeöse.



Dieses Produkt stimmt mit den geltenden CE-Richtlinien überein. Falls auf der Maschine gekennzeichnet.



Umweltbelastende Geräuschemissionen gemäß der Richtlinie der Europäischen Gemeinschaft. Die Emission des Gerätes ist im Kapitel Technische Daten und auf dem Geräteschild angegeben.



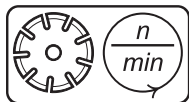
Gewicht



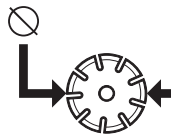
Nennleistung des Motors, kW



Max. Blattgeschwindigkeit, U/min



Klingendurchmesser, mm



Typenschild

A: Fabrikat

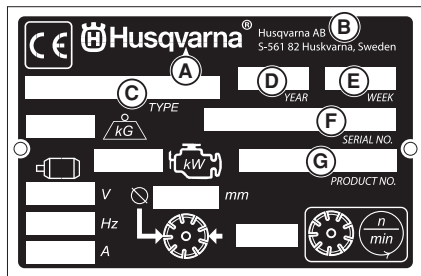
B: Hersteller, Adresse

C: Typ

D, E: Herstellungsdatum, Jahr, Woche

F: Seriennummer

G: Produktnummer



Sonstige Symbole/Aufkleber am Gerät beziehen sich auf spezielle Zertifizierungsanforderungen, die in bestimmten Ländern gelten.

Erläuterung der Warnstufen

Es bestehen drei unterschiedliche Warnstufen.

WARNUNG!



WARNUNG! Nichtbeachtung der Anweisungen in diesem Handbuch kann zu Verletzungen bzw. zum Tod des Bedieners oder zu Beschädigungen in der Umgebung führen.

ACHTUNG!



ACHTUNG! Nichtbeachtung der Anweisungen in diesem Handbuch kann zur Verletzung des Bedieners bzw. zu Beschädigungen in der Umgebung führen.

HINWEIS!



HINWEIS! Nichtbeachtung der Anweisungen in diesem Handbuch kann zu Beschädigungen der Umgebung bzw. der Maschine führen.

INHALT

Inhalt

SYMBOLERKLÄRUNG

Symbole am Gerät:	183
Erläuterung der Warnstufen	184

INHALT

Inhalt	185
--------------	-----

VORSTELLUNG

Sehr geehrter Kunde!	186
Konstruktion und Funktionen	186
FS 3500 G	186
Aufbau des Fugenschneiders – FS 3500 G	187
Darstellung der Bedientafel	189

SICHERHEITSAUSRÜSTUNG DES GERÄTES

Allgemeines	190
-------------------	-----

KLINGEN

Allgemeines	192
Diamantscheiben	192
Transport und Aufbewahrung	193

UMGANG MIT KRAFTSTOFF

Allgemeines	193
Kraftstoff	193
Tanken	193
Transport und Aufbewahrung	193

HANDHABUNG DER BATTERIE

Allgemeines	194
Anschließen der Batterie	194
Abklemmen der Batterie	194
Motor mit schwacher Batterie starten	194

BETRIEB

Schutzausrüstung	195
Allgemeine Sicherheitsvorschriften	195
Service	195
Grundlegende Arbeitstechnik	196
Lenkerposition	197
Bewegen der Maschine	197
Montage der Klinge	199
Schnitttiefe	200
Schneiden von geraden Linien	201
Hydraulikanlage	201
Transport und Aufbewahrung	202
Langzeitaufbewahrung	202

STARTEN UND STOPPEN

Vor dem Start	203
Erste Inbetriebnahme	203
Starten	203
Stoppen	205

WARTUNG UND SERVICE

Allgemeines	206
Maßnahmen vor Wartungs-, Service- und Fehlerbehebungsarbeiten	206
Reinigung	206
Serviceschema	207
Entsorgung, Verschrottung	211

FEHLERSUCHE

Zwischenfälle während des Schneidens	212
--	-----

TECHNISCHE DATEN

Batterie	213
Hydraulikflüssigkeit und Schmiermittel	213
Technische Daten	214
Geräuschemissionen	216
RELAIS UND SICHERUNGSBOXEN	
Relais und Sicherungsboxen – FS 3500 G	217
EG-KONFORMITÄTSERKLÄRUNG	
EG-Konformitätserklärung	218

Sehr geehrter Kunde!

Vielen Dank, dass Sie sich für ein Produkt von Husqvarna entschieden haben.

Wir hoffen, dass Sie mit Ihrer Maschine über lange Jahre zufrieden sein werden. Mit dem Erwerb unserer Produkte erhalten Sie professionelle Hilfe bei Reparaturen und Service. Haben Sie das Gerät nicht bei einem unserer Vertragshändler gekauft, fragen Sie dort nach der nächsten Servicewerkstatt.

Diese Bedienungsanleitung ist ein wertvolles Dokument. Halten Sie die Bedienungsanleitung stets griffbereit. Die genaue Befolgung ihres Inhalts (Verwendung, Service, Wartung usw.) verlängert die Lebensdauer der Maschine erheblich und erhöht zudem ihren Wiederverkaufswert. Sollten Sie Ihre Maschine verkaufen, händigen Sie dem neuen Besitzer bitte auch die Bedienungsanleitung aus.

Über 300 Jahre Innovationsgeschichte

Husqvarna ist ein schwedisches Unternehmen, dessen Geschichte bis ins Jahr 1689 zurückreicht, als König Karl XI eine Fabrik errichten ließ, in der Musketen gefertigt werden sollten. Damit wurden die Grundlagen einer erfolgreichen Firmengeschichte gelegt, in deren Verlauf bahnbrechende technische Neuerungen in Bereichen wie Waffensysteme, Fahr- und Motorräder, Haushaltsgeräte, Nähmaschinen und Gartenprodukte auf den Markt gebracht werden konnten.

Husqvarna gilt als führender Anbieter von Geräten zur Garten- und Waldpflege sowie von Schneidgeräten und Diamantwerkzeugen für die Bau- und Steinindustrie.

Pflichten des Betreibers

Der Betreiber ist verpflichtet, nur entsprechend ausgebildete Personen mit der Bedienung der Maschine zu betrauen. Aufsichtspersonen und Bediener haben sämtliche Anweisungen in diesem Handbuch zur Kenntnis zu nehmen. Insbesondere ist auf Folgendes zu achten:

- Sicherheitshinweise
- Vorgesehene Anwendungsbereiche
- Nutzungs- und Wartungshinweise

Die Benutzung dieser Maschine könnte durch ein nationales Gesetz geregelt sein. Finden Sie heraus, welche Gesetze Anwendung finden, bevor Sie mit der Benutzung der Maschine beginnen.

Vorbehaltsbestimmungen des Herstellers

Es ist möglich, dass Husqvarna nach der Veröffentlichung dieses Handbuchs weitere Informationen zum sicheren Betrieb dieses Produkts herausgibt. Der Betreiber ist verpflichtet, stets über die sichersten Betriebsverfahren informiert zu sein.

Die Husqvarna AB arbeitet ständig an der Weiterentwicklung ihrer Produkte und behält sich daher das Recht auf Änderungen ohne vorherige Ankündigung, z. B. von Form und Aussehen, vor.

Informationen und Hilfe für unsere Kunden bietet unsere Website: www.husqvarna.com. Oder rufen Sie uns an unter +1 800 845 1312.

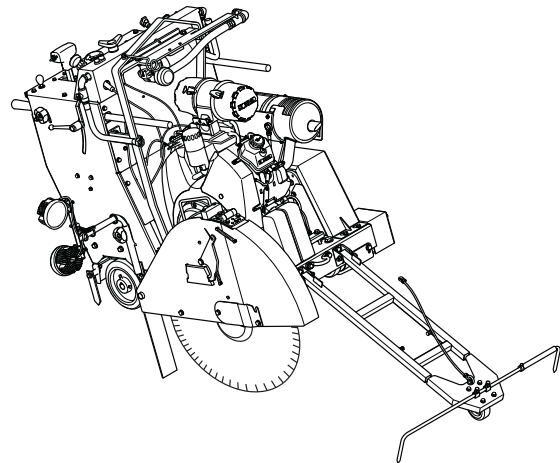
Konstruktion und Funktionen

Diese handgeführten Fugenschneider sind für die Verwendung mit Diamantklingen und ausschließlich für den Nassschnitt vorgesehen. Sie sind zum Schneiden von Frisch- und Festbeton in verschiedenen Härteklassen sowie von Asphalt gedacht.

Die Entwicklung von zuverlässigen und innovativen Hochleistungstechnologien und eine umweltfreundliche Produktfertigung sind die erklärten Ziele von Husqvarna. Ein sicherer Betrieb dieses Produkts setzt voraus, dass der Betreiber dieses Handbuch aufmerksam durchliest. Weitere Informationen erhalten Sie von Ihrem Händler oder Husqvarna.

Hier werden einige der Funktionen aufgeführt, die unseren Produkten das entscheidende Plus an Qualität verleihen.

FS 3500 G



Säge

Robust, beweglich, bedienungs- und wartungsfreundlich.

Motor

Leistungsstarker, bedienungsfreundlicher Benzinmotor mit Luftkühlung und elektrischem Anlasser.

Kraftübertragung

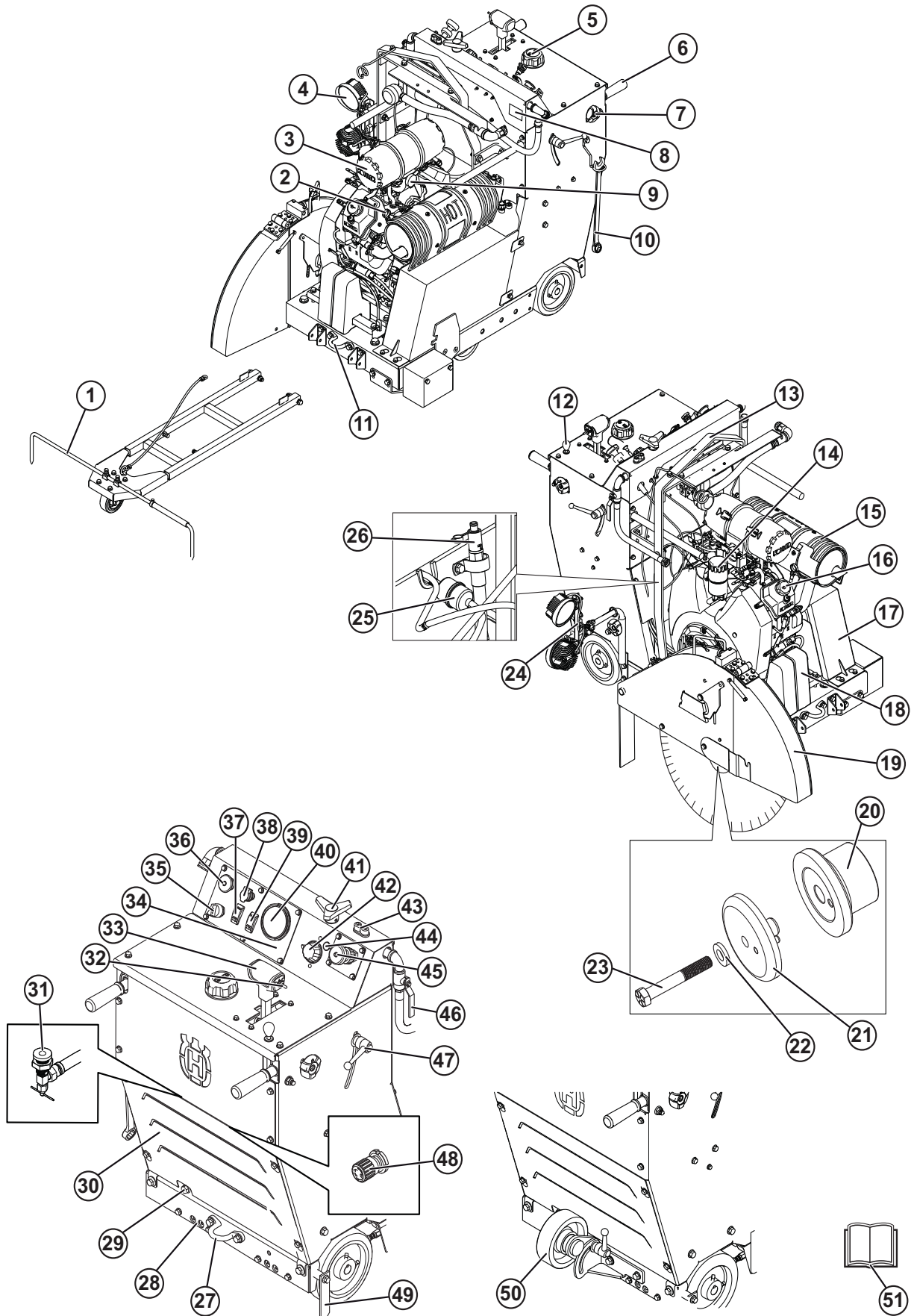
Robuste, effiziente und reibungslose Kraftübertragung durch dynamische Gurtspannung für eine längere Lebensdauer des Gurtes.

Vordere Führung

Vordere Führung mit teleskopischer Verstellung, die gute Sicht und praktische Aufbewahrung gewährleistet.

VORSTELLUNG

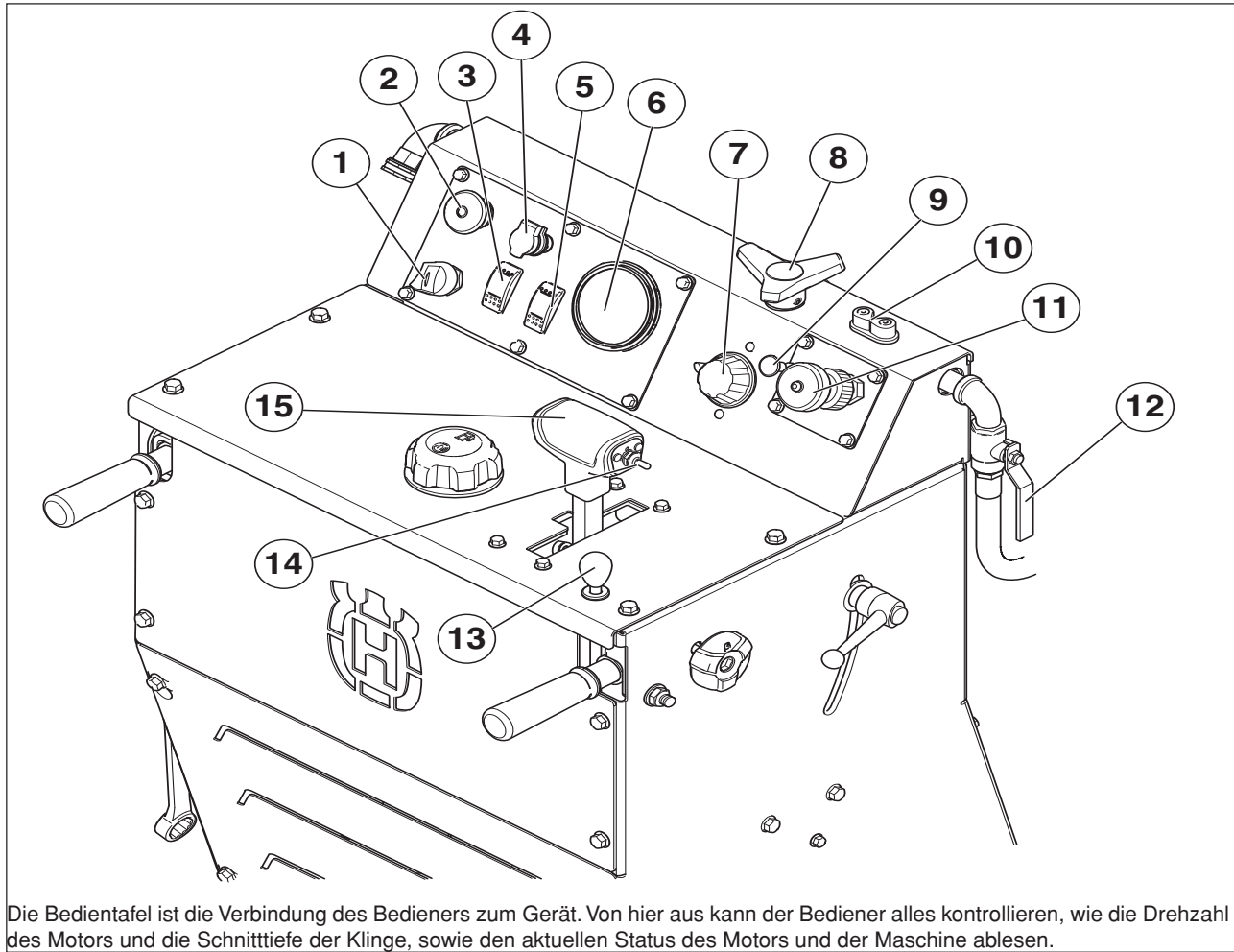
Aufbau des Fugenschneiders – FS 3500 G



VORSTELLUNG

- | | |
|---|---|
| 1 Vordere Führung | 45 Gashebel |
| 2 Motoröl-Prüfung (Messstab) | 46 Wasserventil |
| 3 Luftfilter | 47 Verriegelungshebel für die Lenkereinstellung in der Höhe |
| 4 Arbeitsbeleuchtung (Zubehör) | 48 Stromregelventil |
| 5 Kraftstofftankbefüllung | 49 Zeiger hinten – rechts |
| 6 Handgriff | 50 Transportrolle |
| 7 Verriegelungshebel für die Lenkereinstellung in der Länge | 51 Bedienungsanweisung |
| 8 Typenschild | |
| 9 Filterschutz | |
| 10 Klingenwellen-Zoll-Schraubenschlüssel | |
| 11 Befestigungsösen vorne | |
| 12 Hebel der Feststellbremse (Zubehör) | |
| 13 Lifting eye | |
| 14 Motorölfilter | |
| 15 Schalldämpfer | |
| 16 Ölbefüllung | |
| 17 Antriebsriemenschutz | |
| 18 Gewichte (Zubehör) | |
| 19 Klingenschutz | |
| 20 Innerer Klingenflansch. | |
| 21 Äußerer Trennscheibenflansch | |
| 22 Flanschscheibe | |
| 23 Schraube der Klingenwelle | |
| 24 Beleuchtungsschalter | |
| 25 Motorkraftstofffilter | |
| 26 Ölablassschlauch | |
| 27 Befestigungsösen hinten | |
| 28 Einfacher Zugang Schmierung (Zubehör) | |
| 29 Einstellung der Hinterachse | |
| 30 Hintere Schutzabdeckung | |
| 31 Kraftstoffabsperrentil | |
| 32 Schalter zum Anheben/Absenken des Sägeblatts | |
| 33 Richtungshebel Vorwärts/Rückwärts | |
| 34 Relais- und Sicherungsbox | |
| 35 Startschalter des Motors | |
| 36 Maschinen-Stopp | |
| 37 Wassersicherheitsschalter (Zubehör) | |
| 38 Steckdose 12V (Zubehör) | |
| 39 Wasserpumpenschalter | |
| 40 Drehzahlmesser / Stundenzähler | |
| 41 Klingentiefe-Stopp | |
| 42 Schnitttiefeanzeige | |
| 43 Klemmenleiste | |
| 44 Choke | |

VORSTELLUNG



Die Bedientafel ist die Verbindung des Bediener zum Gerät. Von hier aus kann der Bediener alles kontrollieren, wie die Drehzahl des Motors und die Schnittiefe der Klinge, sowie den aktuellen Status des Motors und der Maschine ablesen.

Darstellung der Bedientafel

- | | |
|---------------------------------------|--|
| 1 Startschalter des Motors | 8 Klingentiefe-Stopp |
| 2 Maschinen-Stopp | 9 Choke |
| 3 Wassersicherheitsschalter (Zubehör) | 10 Klemmenleiste |
| 4 Steckdose 12V (Zubehör) | 11 Gashebel |
| 5 Wasserpumpenschalter (Zubehör) | 12 Wasserventil |
| 6 Drehzahlmesser / Stundenzähler | 13 Hebel der Feststellbremse (Zubehör) |
| 7 Schnittiefenanzeige | 14 Schalter zum Heben/Senken (Klinge) |
| | 15 Richtungshebel Vorwärts/Rückwärts |

SICHERHEITSAUSRÜSTUNG DES GERÄTES

Allgemeines



WARNUNG! Benutzen Sie nie ein Gerät mit defekter Sicherheitsausrüstung. Wenn Ihr Gerät den Kontrollanforderungen nicht entspricht, muss eine Servicewerkstatt aufgesucht werden. Der Motor sollte ausgeschaltet werden und der Startschalter des Motors sollte in der Position STOP sein.

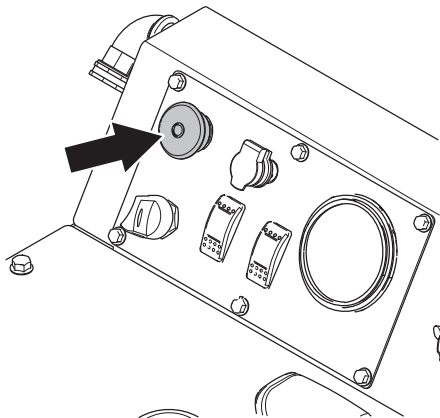


WARNUNG! Die Klingenwelle dreht sich, wenn der Motor angelassen und gestartet wird.

In diesem Abschnitt werden einzelnen Teile der Sicherheitsausrüstung des Gerätes beschrieben, welche Funktion sie haben und wie ihre Kontrolle und Wartung ausgeführt werden sollen, um sicherzustellen, dass sie funktionsfähig sind.

Maschinen-Stopp

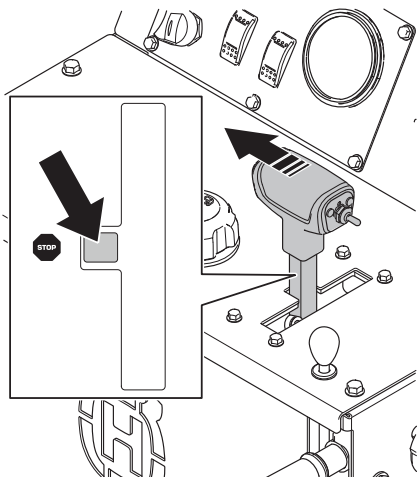
Der Maschinen-Stopp (Notschalter) wird dazu verwendet, um schnell den Motor und alle elektrischen Funktionen bis auf die Beleuchtung auszuschalten.



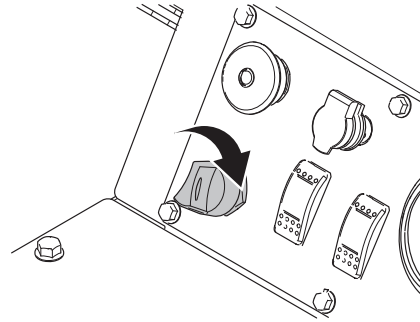
HINWEIS! Verwenden Sie ihn nicht für einen routinemäßigen Stopp.

Testen des Maschinen-Stopschalters

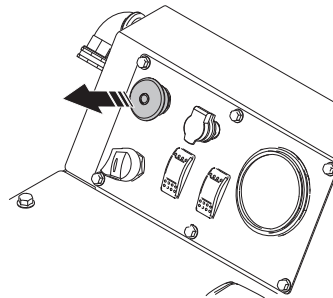
Bringen Sie den Richtungshebel Vorwärts/Rückwärts in die Stellung STOP. Der Motor startet nur, wenn sich der Hebel ganz in der Stellung STOP befindet.



- Starten Sie den Motor, drehen Sie den Startschalter des Motors in die Position Zündung an. Folgen Sie der Vorgehensweise im Motorhandbuch.



- Betätigen Sie den Maschinen-Stopschalter und stellen Sie sicher, dass der Motor stoppt. Das versetzt die Maschine in den abgesicherten Modus.
- Setzen Sie den Maschinen-Stopp zurück, indem Sie den Knopf herausziehen.



Trennscheibenschutz



WARNUNG! Vor dem Starten der Maschine stets prüfen, dass der Klingenschutz korrekt montiert ist.

Dieser Schutz befindet sich über der Klinge und soll verhindern, dass Teile der Klinge oder des geschnittenen Materials gegen den Bediener geschleudert werden.

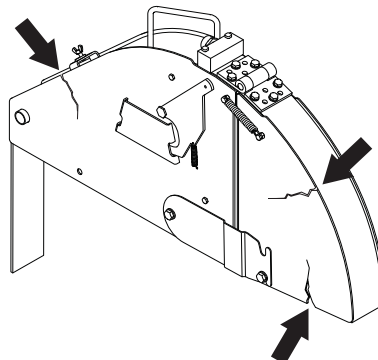
Er schützt den Benutzer auch vor der Klinge und kühlt die Klinge während des Nassschneidens mit Wasser.

Kontrolle des Schutzes für die Klinge



WARNUNG! Vor dem Starten der Maschine stets prüfen, dass der Schutz korrekt montiert ist. Auch sicherstellen, dass die Klinge korrekt befestigt ist und keine Schäden aufweist. Eine beschädigte Klinge kann Verletzungen verursachen.

- Den Klingenschutz auf Schäden und Risse kontrollieren. Den Klingenschutz austauschen, wenn er Risse hat oder Schlägen ausgesetzt gewesen ist.



SICHERHEITSAUSRÜSTUNG DES GERÄTES

Schutzabdeckungen und Schutzvorrichtungen

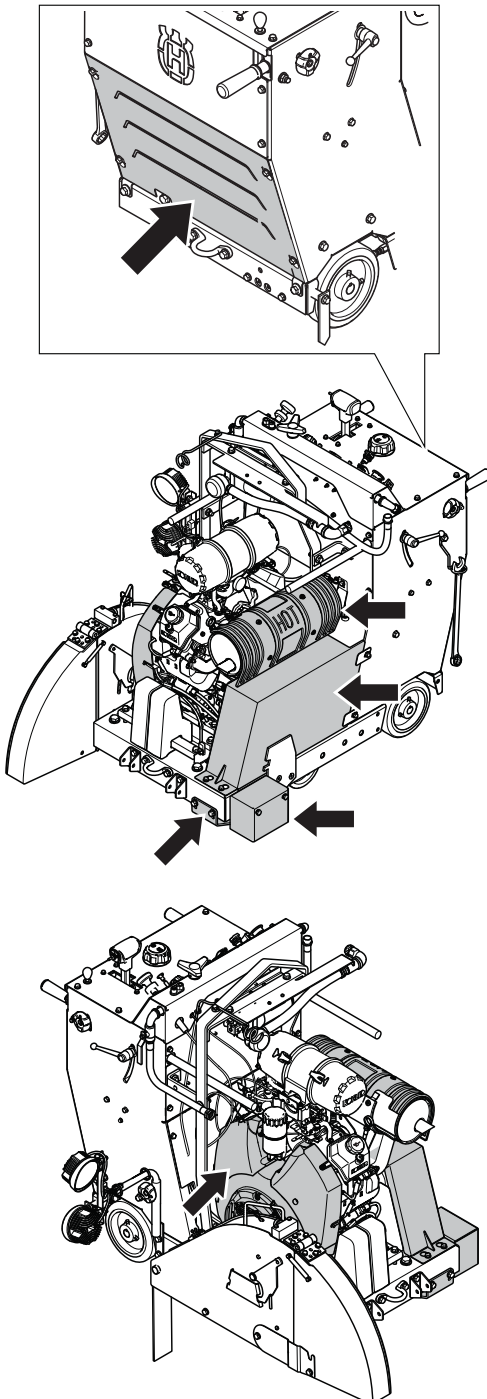


WARNUNG! Prüfen Sie vor dem Starten der Maschine stets, ob die Schutzabdeckungen korrekt montiert sind.

Schutzabdeckungen auf der Maschine schützen den Benutzer vor dem Kühlgebläse, vor Riemenantrieben und vor heißen Oberflächen.

Überprüfung der Schutzabdeckungen

- Prüfen Sie die Schutzabdeckungen auf Risse und andere Schäden. Ersetzen Sie die beschädigten Abdeckungen.



Schalldämpfer



WARNUNG! Geräte ohne bzw. mit defekten Schalldämpfern sollen niemals eingesetzt werden. Ein defekter Schalldämpfer kann Geräuschpegel und Feuergefahr erheblich steigern. Stets eine Feuerlöschschrüstung in Reichweite haben.

Der Schalldämpfer ist beim Betrieb und auch noch nach dem Ausschalten sehr heiß. Dies gilt auch für den Leerlauf. Die Brandgefahr beachten, besonders wenn sich feuergefährliche Stoffe und/oder Gase in der Nähe befinden.

Der Schalldämpfer soll den Geräuschpegel so weit wie möglich senken und die Abgase des Motors vom Anwender fernhalten.

Kontrolle des Schalldämpfers

- Regelmäßig prüfen, ob der Schalldämpfer intakt ist und ordentlich fest sitzt.

Allgemeines



WARNUNG! Schleifscheiben können kaputtgehen und schwere Schäden oder Verletzungen verursachen.

Der Hersteller der Trennscheibe gibt Warnungen und Empfehlungen für die Verwendung und die angemessene Pflege der Trennscheibe. Diese Warnhinweise sind im Lieferumfang der Trennscheibe enthalten.

Die Trennscheibe sollte vor der Montage auf der Säge und in regelmäßigen Abständen während der Benutzung überprüft werden. Auf Risse, verlorene Segmente (Diamantklingen) oder abgebrochene Teile kontrollieren. Keine schadhafte Trennscheibe verwenden.

- Trennscheiben von hoher Qualität sind oftmals die wirtschaftlichste Alternative. Trennscheiben von geringer Qualität haben oft ein schlechteres Schneidvermögen und eine kürzere Lebensdauer, was zu höheren Kosten im Verhältnis zum geschnittenen Material führt. Siehe Anweisungen unter der Überschrift Klingenmontage.



WARNUNG! Trennscheiben sind ausschließlich für das vorgesehene Material zu verwenden. Niemals Klingen verwenden, deren Drehzahl unter dem Wert für die Maschine liegt. Verwenden Sie keine kreisrunden Sägeklingen oder Hartmetallklingen.

Instabilität der Klinge

- Die Klinge kann wackeln und brechen, wenn eine übermäßige Drehzahl verwendet wird.
- Eine geringere Drehzahl kann das Wackeln beenden. Überprüfen Sie, ob die Gebtriebekonfiguration der Klinge und/oder der Gang korrekt sind. Tauschen Sie andernfalls die Scheibe aus.

Diamantscheiben

Allgemeines

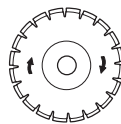
Nach dem Ausschalten des Motors kann es bis zu einer Minute dauern, bis die Trennscheibe zum Stillstand kommt. Halten Sie die Klinge niemals mit der Hand an. Es kann zu Verletzungen kommen.



WARNUNG! Während des Einsatzes können Diamantscheiben sehr heiß werden. Überhitzung an der Klinge entsteht als Folge unsachgemäßer Verwendung und kann zu Verformungen der Trennscheibe und damit zu Sach- und Personenschäden führen. Beim Schneiden von Metall entstehen Funken, die einen Brand verursachen können. Verwenden Sie das Gerät nicht in der Nähe von brennbaren Materialien oder Gasen.

- Diamantklingen bestehen aus einem Stahlkörper mit Segmenten mit Industriediamanten.
- Diamantklingen sorgen für niedrigere Kosten pro Schneidvorgang, selteneren Klingenaustausch und konstante Schnitttiefe.

- Bei Anwendung einer Diamantscheibe dafür sorgen, dass diese in die Richtung rotiert, die der Pfeil auf der Scheibe angibt.



Schärfen von Diamantscheiben

- Immer eine scharfe Diamantscheibe benutzen.
- Diamantscheiben können stumpf werden, wenn der falsche Druck ausgeübt oder wenn damit bestimmtes Material wie beispielsweise stark armerter Beton geschnitten wird. Die Arbeit mit einer stumpfen Diamantklinge führt zu Überhitzung, die dazu führen kann, dass sich Diamantsegmente lösen.
- Schärfen Sie die Klinge, indem Sie für eine kurze Zeit die Schnitttiefe und die Motordrehzahl verringern. Das legt neue und scharfe Diamanten auf der Klinge frei.

Diamantklingen und Kühlung

- Die während des Schneidens entstehende Reibung führt zur einer Erwärmung der Diamantklinge. Wenn Sie die Trennscheibe zu heiß werden lassen, kann dies zu einem Spannungsverlust oder zu einem Kernriss in der Trennscheibe führen. Deswegen muss die Diamantklinge mit Wasser gekühlt werden.

Diamantklingen für den Nassschnitt

Die während des Schneidens entstehende Reibung führt zur einer Erwärmung der Diamantklinge. Wenn Sie die Trennscheibe zu heiß werden lassen, kann dies zu einem Spannungsverlust oder zu einem Kernriss in der Trennscheibe führen.

Lassen Sie die Klinge abkühlen, bevor Sie sie anfassen.

- Diamantklingen für den Nassschnitt müssen mit Wasser verwendet werden, um den Trennscheibenkern und die Segmente während des Sägens kühl zu halten. Nasstrennscheiben dürfen NICHT trocken verwendet werden.
- Die Verwendung von Nassschnitt-Trennscheiben ohne Wasser kann zu übermäßiger Hitzeentwicklung und damit zu schwacher Leistung sowie schwerer Beschädigung der Trennscheiben führen und stellt deshalb ein Sicherheitsrisiko dar.
- Wasser kühlt die Klinge und verlängert ihre Lebensdauer, während es gleichzeitig die Staubbildung reduziert.
- Verwenden Sie das Nassschneiden bei Frischbeton, Altbeton und Asphalt.

Klingengröße, mm/Zoll	Max. Schnitttiefe, mm/Zoll
500/20	192/7.72
650/26	255/10.25
750/30	305/12.25

HINWEIS! Verwenden Sie immer die Klingenflanschgröße, die für die jeweilige Klingengröße spezifiziert ist. Verwenden Sie niemals beschädigte Flansche.

Transport und Aufbewahrung

- Bewahren Sie die Trennscheiben an einem sicheren Ort auf, sodass sie nicht beschädigt werden können.
- Die Trennscheibe trocken und frostgeschützt lagern.
- Neue Trennscheiben müssen vor dem Gebrauch auf Transport- und Lagerschäden untersucht werden.

Allgemeines



WARNUNG! Einen Motor in einem geschlossenen oder schlecht belüfteten Raum laufen zu lassen, kann zum Tod durch Erstickten oder Kohlenmonoxidvergiftung führen.

Kraftstoff und Kraftstoffdämpfe sind sehr feuergefährlich und können beim Einatmen und auf der Haut schwere Schäden verursachen. Beim Umgang mit Kraftstoff ist daher Vorsicht geboten und für eine gute Belüftung zu sorgen.

Die Motorabgase sind heiß und können Funken enthalten, die einen Brand verursachen können. Aus diesem Grunde sollte das Gerät niemals im Innenbereich oder in der Nähe von feuergefährlichen Stoffen gestartet werden!

Beim Tanken nicht rauchen und jegliche Wärmequellen vom Kraftstoff fernhalten.

Kraftstoff

Benzin

- Verwenden Sie sauberes, frisches und bleifreies Benzin.
- Als niedrigste Oktanzahl wird 87 ((RON+MON)/2) empfohlen. Wenn der Motor mit Benzin einer niedrigeren Oktanzahl als 87 betrieben wird, läuft er nicht einwandfrei. Dies führt zu erhöhter Motortemperatur und verstärkter Belastung der Lager, was schwere Motorschäden verursachen kann.

Motoröl

Parken Sie die Maschine immer auf einer ebenen Fläche, bevor Sie das Öl prüfen. Belassen Sie die Säge horizontal und ohne Klinge, wenn Sie den Ölstand prüfen.

- Vor dem Starten der Maschine den Ölstand prüfen. Ein zu niedriger Ölstand kann schwere Motorschäden verursachen. Siehe Anweisungen im Abschnitt "Wartung und Service".
- Niemals Öl für Zweitaktmotoren verwenden. Verwenden Sie nur aschearmes Motoröl, wie in den Technischen Daten angegeben.

HINWEIS! Sorgen Sie dafür, dass sich stets ausreichend Öl im Motor befindet.

Tanken



WARNUNG! Den Motor abstellen und vor dem Tanken einige Minuten abkühlen lassen.

Den Tankdeckel stets vorsichtig öffnen, so dass sich ein evtl. vorhandener Überdruck langsam abbauen kann.

Wischen Sie eventuelle Verschmutzungen um den Tankdeckel ab.

Den Tankdeckel nach dem Tanken wieder sorgfältig zudrehen. Wenn der Deckel nicht ordnungsgemäß angezogen ist, kann er sich durch Vibration lockern. Dadurch kann Kraftstoff aus dem Kraftstofftank entweichen und eine Brandgefahr hervorrufen.

Das Gerät vor dem Starten mindestens 3 m von der Stelle entfernen, an der getankt wurde.

Das Gerät niemals starten, wenn:

- Wenn Kraftstoff oder Motoröl auf die Maschine verschüttet wurde: Alles abwischen und restliches Benzin verdunsten lassen.
- Wenn Sie Kraftstoff über sich selbst oder Ihre Kleidung verschüttet haben, ziehen Sie sich um. Waschen Sie die Körperteile, die mit dem Kraftstoff in Berührung gekommen sind. Wasser und Seife verwenden.
- Wenn es Kraftstoff leckt. Tankdeckel und Tankleitungen regelmäßig auf Undichtigkeiten überprüfen.

Transport und Aufbewahrung

- Das Gerät und den Kraftstoff so transportieren und aufbewahren, dass bei eventuellen Undichtigkeiten entweichende Dämpfe oder Kraftstoff nicht mit Funken oder offenem Feuer in Kontakt kommen können, z. B. von Elektrogeräten, Elektromotoren, elektrischen Kontakten/Schaltern oder Heizkesseln.
- Zum Transport und zur Aufbewahrung von Kraftstoff sind speziell für diesen Zweck vorgesehene und zugelassene Behälter zu verwenden.

HANDHABUNG DER BATTERIE

Allgemeines



WARNUNG! In Blausäurebatterien bilden sich explosive Gase. Funkenbildung, offenes Feuer und Rauchen in der Nähe der Batterien vermeiden.

- Beim Anschließen oder Abklemmen der Batterie können Funken oder Kurzschlüsse auftreten.
- Durch Funken oder Flammen kann eine Bleisäure-Batterie explodieren.
- Verbinden Sie niemals beide Batterieklemmen zur gleichen Zeit mit einem Zoll-Schraubenschlüssel oder einem anderen Metall, da dies die Batterie kurzschließen kann.
- Behandeln Sie die Batterie immer mit Vorsicht.
- Nicht gebrauchte Batterien müssen von metallischen Gegenständen, wie Nägeln, Münzen und Schmuck, ferngehalten werden.
- Vor dem Anschließen der Batterie Metallarmbänder, Uhren, Ringe usw. abnehmen. Bei Arbeiten an der Batterie Handschuhe und eine Schutzbrille oder Schutzmaske tragen.
- Die Originalbatterie ist wartungsfrei. Nicht versuchen, Deckel oder Abdeckungen zu entfernen. Die Batterieflüssigkeit muss normalerweise nicht geprüft oder angepasst werden.
- Die Batterie darf nur durch eine ähnliche wartungsfreie Batterie ersetzt werden (siehe die Informationen im Abschnitt „Technische Daten“).
- Wenn Sie auf der Maschine schweißen, klemmen Sie immer beide Batteriekabel ab und bewahren Sie die Kabel nicht neben den Batteriepolen auf.
- Verbinden Sie den Minuspol der Schweißausrüstung immer möglichst nah an der Schweißstelle.

HINWEIS! Setzen Sie niemals die maximale physikalische Größe der Batterie außer Kraft. Eine zu große Batterie kann durch benachbarte Teile beschädigt werden oder diese beschädigen.

Aus Umweltschutzgründen ist mit Batterie sorgsam umzugehen. Die örtlichen Recyclingvorschriften befolgen.

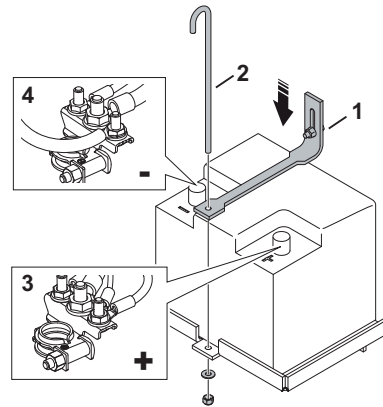
- Tauschen Sie die Batterie aus, wenn die Batterie Schwierigkeiten hat, die Spannung über einen langen Zeitraum zu halten, wenn keine Last angelegt ist. Weitere Informationen zu empfohlenen Batterien finden Sie im Abschnitt Technische Daten“.
- Wechseln Sie die Batterie regelmäßig.
- Halten Sie Batteriekontakte und entsprechendes Zubehör sauber.

Anschließen der Batterie

Hinweis! Befestigen und entfernen Sie die Batteriekabel nur in der Reihenfolge, die in diesem Abschnitt beschrieben ist.

- 1 Installieren Sie den Batteriehalter.
- 2 Verriegeln Sie die Batterie mit dem Stift.

- 3 Schließen Sie immer zuerst den Pluspol an.
- 4 Schließen Sie den Minuspol an.



Abklemmen der Batterie

- Die Kabel in umgekehrter Reihenfolge wieder abtrennen.

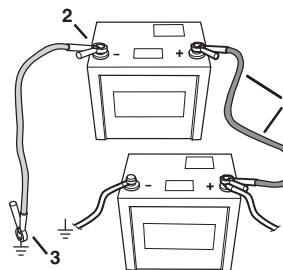
Motor mit schwacher Batterie starten

Falls die Batterie zum Anlassen des Motors zu schwach ist, muss sie wieder geladen werden.

Falls ein Notstart mit Startkabeln erforderlich ist, wie folgt vorgehen:

Anschluss der Startkabel

- 1 Die beiden Enden des roten Kabels an den PLUS-Pol (+) an jeder Batterie anschließen und sorgfältig darauf achten, dass kein Ende am Rahmen kurzgeschlossen wird.
- 2 Das eine Ende des schwarzen Kabels an den MINUS-Pol (-) an der voll geladenen Batterie anschließen.
- 3 Verbinden Sie das andere Ende des schwarzen Kabels mit einer guten MOTORBLOCK-ERDUNG (nicht in der Nähe von Kraftstofftank und Batterie).



Die Kabel in umgekehrter Reihenfolge wieder abtrennen.

- Das SCHWARZE Kabel wird zuerst vom Motorblock und dann von der voll aufgeladenen Batterie entfernt.
- Dann das ROTE Kabel von beiden Batterien abnehmen.

Verwahrung

- Bewahren Sie die Batterie an einem kühlen und trockenen Ort auf.

Schutzausrüstung

Allgemeines

Stellen Sie sicher, dass immer eine andere Person in der Nähe ist, wenn Sie die Maschine verwenden, sodass Sie um Hilfe bitten können, falls ein Unfall passieren sollte.

Persönliche Schutzausrüstung

Bei der Benutzung des Gerätes muss die vorgeschriebene persönliche Schutzausrüstung angewendet werden. Die persönliche Schutzausrüstung beseitigt nicht die Unfallgefahr, begrenzt aber den Umfang der Verletzungen und Schäden. Bei der Wahl der Schutzausrüstung einen Fachhändler um Rat fragen.



WARNUNG! Die Verwendung von Fräsmaschinen, Schleifmaschinen, Bohrern und Sägen, die Material abschleifen oder umformen, kann Staub und Ausdünstungen verursachen, die gefährliche Chemikalien enthalten können. Überprüfen Sie die Beschaffenheit des Materials, das Sie bearbeiten wollen, und verwenden Sie einen geeigneten Atemschutz.

Eine längerfristige Beschallung mit Lärm kann zu bleibenden Gehörschäden führen. Stets einen zugelassenen Gehörschutz tragen. Immer genau auf Warnsignale oder Zurufe achten, wenn Sie den Gehörschutz tragen. Gehörschutz immer abnehmen, sobald der Motor abgestellt ist.

Benutzen Sie immer:

- Zugelassene Kopfbedeckung
- Gehörschutz
- Zugelassener Augenschutz. Bei der Benutzung eines Visiers ist auch eine zugelassene Schutzbrille zu tragen. Zugelassene Schutzbrillen sind in diesem Falle diejenigen, die die Normen ANSI Z87.1 für die USA bzw. EN 166 für EU-Länder erfüllen. Visiere müssen der Norm EN 1731 entsprechen.
- Zugelassener Atemschutz
- Feste, griffsichere Handschuhe.
- Eng anliegende, kräftige und bequeme Kleidung tragen, die volle Bewegungsfreiheit gewährt. Durch Schneiden werden Funken erzeugt, die Ihre Kleidung entzünden können. Husqvarna empfiehlt das Tragen von feuerfester Baumwolle oder schwerem Jeansstoff. Tragen Sie keine Kleidung aus Materialien wie Nylon, Polyester oder Viskose. Im Falle einer Entzündung kann dieses Material schmelzen und an der Haut kleben bleiben. Keine kurzen Hosen tragen.
- Stiefel mit Stahlkappe und rutschfester Sohle.

Weitere Schutzmaßnahmen



ACHTUNG! Beim Betrieb des Gerätes können Funken einen Brand verursachen. Deshalb soll die Feuerlöschhausrüstung stets in Reichweite aufbewahrt werden.

- Feuerlöscher
- Ein Erste-Hilfe-Set soll immer griffbereit sein.

Allgemeine Sicherheitsvorschriften

In diesem Abschnitt werden grundlegende Sicherheitsregeln vorgestellt. Die folgenden Informationen sind kein Ersatz für das Wissen, das ein professioneller Anwender durch seine Ausbildung und praktische Erfahrung erworben hat.

- Lesen Sie die Bedienungsanweisung sorgfältig durch und machen Sie sich mit dem Inhalt vertraut, bevor Sie das Gerät benutzen. Vor der erstmaligen Benutzung der Maschine wird eine praktische Einweisung empfohlen.
- Denken Sie stets daran, dass Sie als Bediener für eventuell dadurch entstehende Sach- und Personenschäden verantwortlich sind.
- Die Maschine ist sauber zu halten. Die Lesbarkeit aller Schilder und Aufkleber muss gewährleistet werden.

Service

Lassen Sie Ihre Maschine von einem qualifizierten Fachmann reparieren und bestehen Sie darauf, dass nur Originalersatzteile dazu verwendet werden. Dies trägt dazu bei, die Sicherheit der Maschine zu bewahren.

Stets mit gesundem Menschenverstand arbeiten

Es ist unmöglich, alle denkbaren Situationen abzudecken, die beim Gebrauch des Geräts auftreten könnten. Gehen Sie stets mit Vorsicht und Vernunft vor. Lassen Sie sich bei Unsicherheiten von einer Fachkraft beraten. Fragen Sie Ihren Fachhändler, Ihre Servicewerkstatt oder einen erfahrenen Anwender. Führen Sie keine Arbeiten aus, wenn Unsicherheiten bezüglich der richtigen Vorgehensweise bestehen.



WARNUNG! Das Gerät kann falsch oder nachlässig angewendet gefährlich sein und zu schweren oder gar lebensgefährlichen Verletzungen des Benutzers oder anderer Personen führen.

Niemals Kinder oder andere Personen, die nicht mit der Handhabung der Maschine vertraut sind, die Maschine bedienen oder warten lassen.

Lassen Sie niemals jemand anderen das Gerät benutzen, ohne sich zu vergewissern, dass die Person den Inhalt der Bedienungsanweisung verstanden hat.

Niemals das Gerät verwenden, wenn Sie müde sind, Alkohol getrunken oder Medikamente eingenommen haben, die Ihre Sehkraft, Urteilsvermögen oder Körperkontrolle beeinträchtigen können.



WARNUNG! Unzulässige Änderungen und/oder Zubehörteile können zu schweren Verletzungen oder tödlichen Unfällen von Anwendern oder anderen Personen führen. Unter keinen Umständen darf die ursprüngliche Konstruktion des Gerätes ohne Genehmigung des Herstellers geändert werden.

Das Gerät nicht so modifizieren, dass es nicht länger mit der Originalausführung übereinstimmt, und nicht benutzen, wenn es scheinbar von anderen modifiziert wurde.

Niemals mit einem defekten Gerät arbeiten. Die Kontroll-, Wartungs- und Serviceanweisungen in dieser Bedienungsanleitung sind genau zu befolgen. Gewisse Wartungs- und Servicemaßnahmen sind von geschulten, qualifizierten Fachleuten auszuführen. Siehe Anweisungen unter dem Titel **Wartung.**

Es ist immer Originalzubehör zu verwenden.



WARNUNG! Diese Maschine erzeugt beim Betrieb ein elektromagnetisches Feld. Dieses Feld kann sich unter bestimmten Bedingungen auf die Funktionsweise aktiver oder passiver medizinischer Implantate auswirken. Um die Gefahr für schwere oder tödliche Verletzungen auszuschließen, sollten Personen mit einem medizinischen Implantat vor der Nutzung dieser Maschine ihren Arzt und den Hersteller des Implantats konsultieren.

Sicherheit im Arbeitsbereich



WARNUNG! Sie sind dafür verantwortlich, dass sich keine Zuschauer oder Tiere im Arbeitsbereich befinden. Beginnen Sie erst mit dem Schneiden, wenn der Arbeitsbereich frei ist.

- Überprüfen Sie Ihre Umgebung auf mögliche Störquellen hin, die Ihre Aufmerksamkeit ablenken könnten.
- Es dürfen keine Personen oder Gegenstände in Berührung mit der Schneidrüstung kommen oder von Teilen getroffen werden können, die von der Trennscheibe umhergeschleudert werden.
- Montieren Sie auf keinen Fall die Klinge an der Maschine, solange sich diese nicht im Schneidebereich befindet.
- Vermeiden Sie es, das Gerät bei schlechtem Wetter zu benutzen. Z.B. bei dichtem Nebel, starkem Regen oder Wind, großer Kälte usw. Das Arbeiten bei schlechtem Wetter ist sehr ermüdend und kann gefährliche Umstände herbeiführen, z. B. Rutschgefahr.
- Beginnen Sie niemals mit der Arbeit, bevor der Arbeitsbereich frei ist und Sie einen sicheren Stand haben. Achten Sie auf eventuelle Hindernisse, die im Wege sein können, wenn Sie sich plötzlich bewegen müssen. Stellen Sie sicher, daß kein Material

herunterfallen und Schäden verursachen kann. Bei Arbeiten in abschüssigem Gelände muß größte Vorsicht walten.

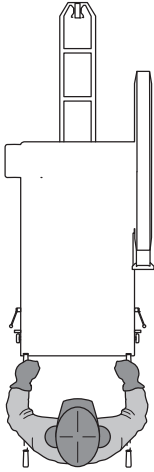
- Sorgen Sie dafür, daß der Arbeitsbereich ausreichend beleuchtet ist, damit Sie sicher arbeiten können.
- Stellen Sie außerdem sicher, dass weder unter dem Arbeitsbereich noch im Schneidegut Versorgungsleitungen verlegt sind.
- Einen Motor in einem geschlossenen oder schlecht belüfteten Raum laufen zu lassen, kann zum Tod durch Erstickung oder Kohlenmonoxidvergiftung führen.

Grundlegende Arbeitstechnik

- Diese Maschine ist zum Schneiden von Frisch- und Festbeton in verschiedenen Härteklassen sowie von Asphalt gedacht.
- Arbeiten Sie immer so, dass der Maschinen-Stoppschalter leicht zu erreichen ist.
- Überprüfen Sie, ob keine Werkzeuge oder andere Objekte auf der Maschine liegengelassen wurden.
- Vor dem Starten der Maschine stets prüfen, dass der Klingenschutz korrekt montiert ist. Schneidvorgänge niemals ohne den Trennscheibenschutz durchf
- Vor dem Schneiden sind alle auszuführenden Schnitte deutlich zu markieren und zu planen, sodass sie ohne Gefahr für Mensch oder Maschine durchgeführt werden können.
- Schleifen Sie unter keinen Umständen seitlich mit der Trennscheibe, weil dies fast mit Sicherheit zu Schäden an der Scheibe führt oder ihren Bruch bewirkt und außerdem ernsthafte Verletzungen verursachen kann. Verwenden Sie nur die Trennschneide.
- Stehen Sie nicht hinter oder vor dem Klingenspfad, während der Motor läuft.
- Lassen Sie die Maschine nicht unbeaufsichtigt, während der Motor läuft.
- Setzen Sie die Klinge in einem Schnitt niemals schief an und verklemmen, verkeilen oder verdrehen Sie sie nicht.
- Stellen Sie sicher, dass immer eine andere Person in der Nähe ist, wenn Sie die Maschine verwenden, sodass Sie um Hilfe bitten können, falls ein Unfall passieren sollte.

BETRIEB

- Stehen Sie nie hinter oder vor dem Klingenpfad, während der Motor läuft. Die Position des Bedieners ist zwischen den beiden Lenkern.



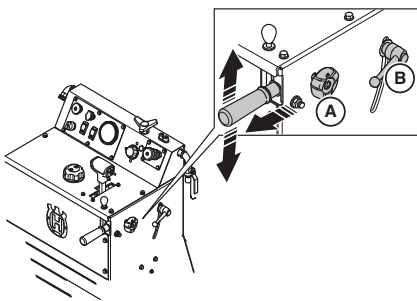
Lenkerposition

ACHTUNG! Verwenden Sie niemals die Lenker, um die Säge anzuheben.

Verwenden Sie die Lenker, um die Säge zu manövrieren.

Die Position der Lenker kann in Höhe und Länge eingestellt werden.

- Lösen Sie den Verriegelungsknopf **A**, um die Länge einzustellen. Stellen Sie die Griffe auf eine komfortable Nutzlänge ein. Feststellknopf anziehen.
- Drehen Sie den Verriegelungsknopf zur Lenkereinstellung **B** gegen den Uhrzeigersinn, um den Lenker zu entriegeln und neu zu positionieren. Drehen Sie ihn im Uhrzeigersinn, um den Lenker in der Position zu verriegeln. Stellen Sie die Griffleiste auf eine komfortable Arbeitshöhe ein. Ziehen Sie den Feststellknopf an.



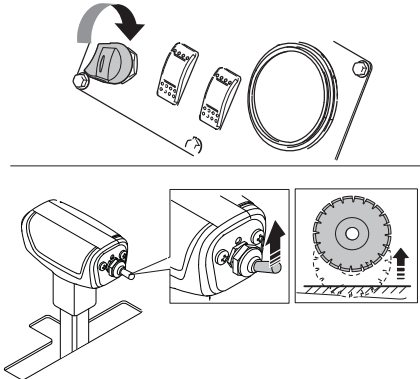
Bewegen der Maschine

Lesen und verstehen Sie den Abschnitt „Starten und Stoppen“, bevor Sie die Maschine bewegen.

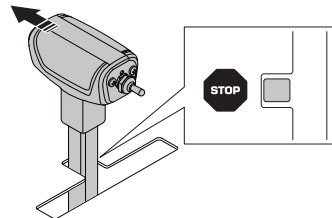
Bewegen der Maschine bei ausgeschaltetem Motor

- Bringen Sie den Startschalter des Motors in die Stellung RUN“ (START).

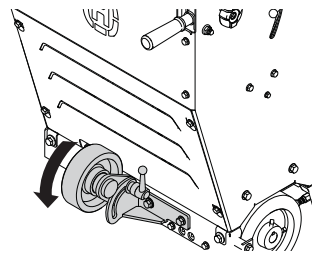
Heben Sie die Säge an, indem Sie den Schalter zum Anheben/Absenken am Richtungshebel Vorwärts/Rückwärts drücken, bis das Sägeblatt (falls vorhanden) über dem Boden ist.



- Bringen Sie den Richtungshebel Vorwärts/Rückwärts in die Stellung Stop/Neutral“.



- Drehen Sie den Verriegelungsknopf zum Entriegeln und zur Umstellung des Freilaufs in den Transportmodus gegen den Uhrzeigersinn. Ziehen Sie den Feststellknopf an.



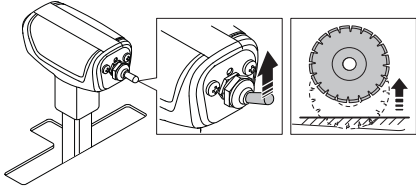
- Heben Sie die Säge an, bis sich die beiden Hinterräder von der Oberfläche abheben. Die Säge kann jetzt bewegt werden, indem man dahinter steht und sie schiebt (während man die Lenker hält).



WARNUNG! Versuchen Sie nicht, die Säge mit ausgefahrener Transportrolle zu schieben, wenn sie sich auf einer Steigung (oder auf einem Hügel) befindet. Der Bediener der Säge könnte die Kontrolle über die Säge verlieren und sich selbst oder andere Personen in der Umgebung verletzen.

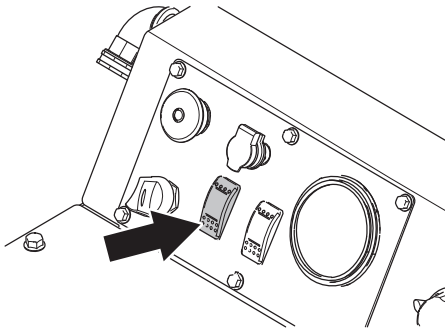
Bewegen der Maschine bei eingeschaltetem Motor

- Heben Sie die Säge an, indem Sie den Schalter zum Anheben/Absenken am Richtungshebel Vorwärts/Rückwärts drücken, bis das Sägeblatt (falls vorhanden) über dem Boden ist.

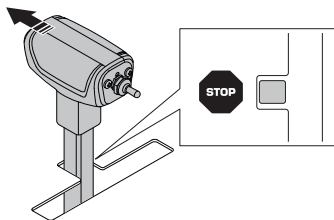


WARNUNG! Bewegen Sie die Maschine niemals außerhalb des Schneidbereichs, wenn der Motor läuft und die Klinge montiert ist.

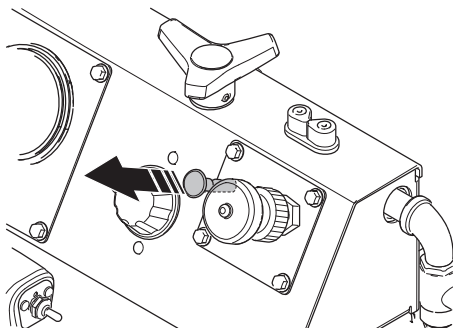
- Bringen Sie den Wasserschutzschalter in die Stellung OFF“ (AUS).



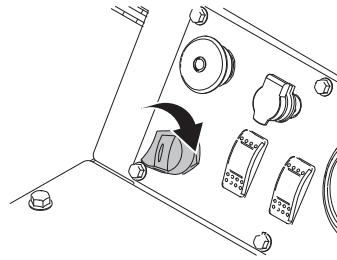
- Bringen Sie den Richtungshebel Vorwärts/Rückwärts in die Stellung Stop/Neutral“. Der Motor startet nur, wenn sich der Hebel eindeutig in der Stellung Stop/Neutral“ befindet.



- Ziehen am Motor-Choke.

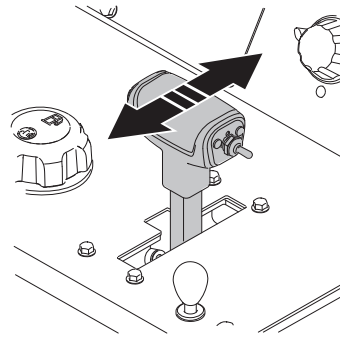


- Drehen Sie den Startschalter des Motors in die Start-Stellung, bis der Motor anspringt und lassen Sie den Schalter dann wieder los. Er kehrt automatisch in die Zündungsstellung zurück. Wenn der Motor nicht startet, wiederholen Sie diese Schritte.



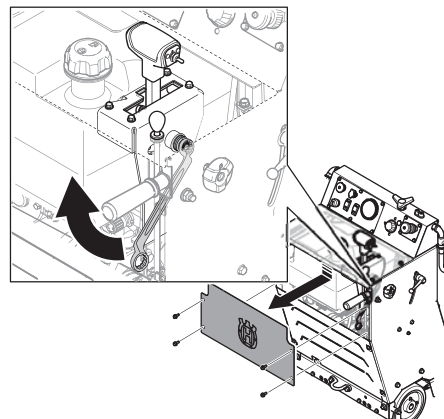
- Drücken Sie den Richtungshebel Vorwärts/Rückwärts nach vorne für eine vorwärts gerichtete Bewegung oder ziehen Sie ihn nach hinten für eine rückwärts gerichtete Bewegung.

Je weiter Sie den Hebel drücken, umso schneller ist die Geschwindigkeit. Weitere Informationen finden Sie im Abschnitt „Technische Daten“.



WARNUNG! Lassen Sie das Getriebe nicht im Leerlauf, während das Gerät an einer Steigung oder auf einem Hügel abgestellt ist. Der Bediener verliert die Kontrolle und es kann zu Schäden oder Verletzungen kommen.

Passen Sie den Widerstand am Richtungshebel Vorwärts/Rückwärts mit der Mutter an der Seite des Hebels an.



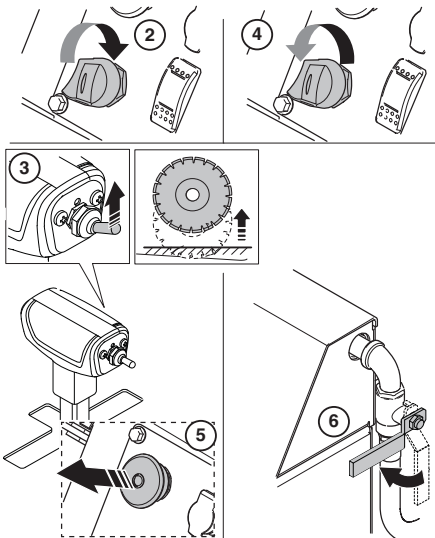
Montage der Klinge



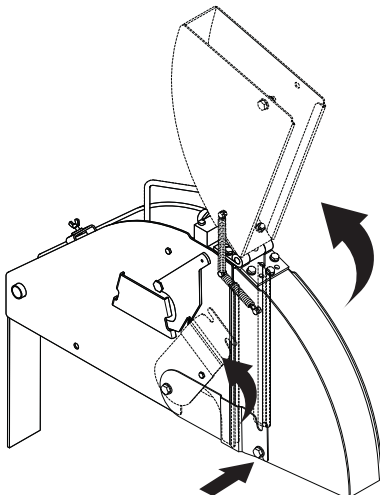
WARNUNG! Bringen Sie den Startschalter des Motors in die Stellung OFF“ (AUS), bevor Sie das Sägeblatt anbringen.

HINWEIS! Die Rotationsrichtung der Trennscheibe prüfen. Der Pfeil auf der Klinge und dem Klingenschutz zeigt die Rotationsrichtung an.

- 1 Transportieren Sie die Maschine in den Schneidebereich und überprüfen Sie Ihre Umgebung gemäß den Informationen unter dem Titel Sicherheit im Schneidebereich“.
- 2 Stellen Sie den Startschalter des Motors in die Position Zündung an“.
- 3 Heben Sie mit dem Schalter zum Anheben/Absenken auf dem Richtungshebel Vorwärts/Rückwärts die Säge an.
- 4 Bringen Sie den Startschalter des Motors in die Stellung OFF“ (AUS).
- 5 Drücken Sie den Maschinen-Stopschalter auf der Bedientafel.
- 6 Schließen Sie das Wasserventil.



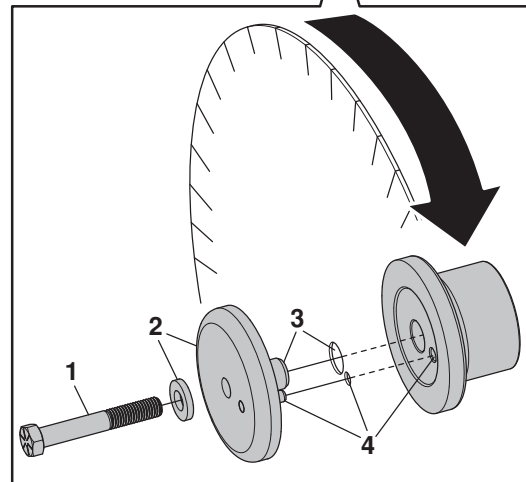
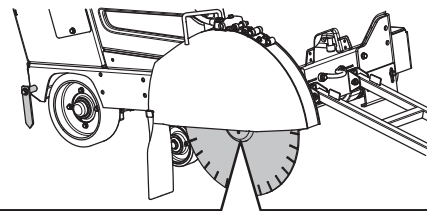
- Lösen Sie die Vorderschraube des Klingenschutzes und heben Sie die Verriegelung des Klingenschutzes an.
- Heben Sie die Vorderseite des Klingenschutzes an.



WARNUNG! Überprüfen Sie, ob die Klinge, Klingenflansche und Klingenflansch-Aufsteckhalter unbeschädigt sind. Reinigen Sie die Kontaktflächen der Klinge und der Klingenflansche. Stellen Sie sicher, dass die Klinge und die Flansche sauber und frei von Schmutz und Abfall sind, bevor Sie die Klinge an der Maschine anbringen.

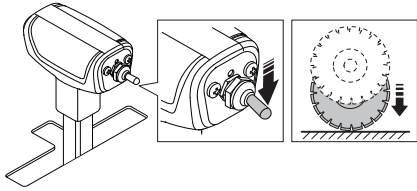
Die Schraube der Klingenwelle auf der rechten Seite der Säge hat ein Linksgewinde und die Schraube der Klingenwelle auf der linken Seite der Säge hat ein Rechtsgewinde. Ersetzen Sie die Schraube und Unterlegscheibe der Klingenwelle, wenn sie abgenutzt oder beschädigt sind.

- 1 Lösen Sie die Schraube der Klingenwelle, die dazu verwendet wird, um die Klinge zwischen dem inneren und äußeren Flansch festzuklemmen.
- 2 Entfernen Sie den äußeren Flansch und die Unterlegscheibe.
- 3 Bringen Sie die Diamantklinge am äußeren Flansch-Aufsteckhalter an.
- 4 Installieren Sie den äußeren Flansch mit der vorinstallierten Klinge im inneren Flansch. Stellen Sie dabei sicher, dass der Sperrstift durch die Diamantklinge und bis in den inneren Flansch durch geht. Verwenden Sie immer eine Unterlegscheibe mit der Schraube der Klingenwelle. Rotieren Sie den äußeren Flansch und die Klinge in die entgegengesetzte Richtung der Klingenrotation, um das Spiel zu entfernen.
- Installieren Sie die Schraube und die Unterlegscheibe der Klingenwelle. Ziehen Sie sie mit dem Klingenwellen-Zoll-Schraubenschlüssel fest an, während Sie die Klinge fest halten.



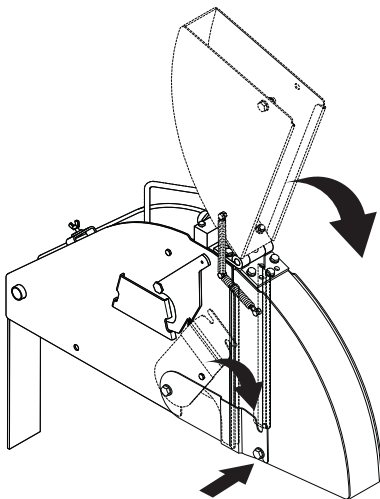
BETRIEB

Senken Sie die Säge ab, indem Sie den Schalter zum Anheben/Absenken auf dem Richtungshebel Vorwärts/Rückwärts nach unten drücken, bis das Sägeblatt die zu schneidende Oberfläche berührt.



ACHTUNG! Der Druck sollte sanft sein, um Schäden an der Klinge zu vermeiden. Verwenden Sie den Hebel zur Drehzahlregelung beim Senken der Säge, um die Senkgeschwindigkeit zu verlangsamen. Die Klinge darf niemals das Frontgewicht der Maschine stützen, da dies die Klinge beschädigen würde.

- Wird die Schraube der Klingenwelle mit Hilfe des Klingenwellen-Zoll-Schraubenschlüssels fest angezogen, während es einen Widerstand zwischen der Klinge und dem Boden gibt, kann ein korrektes und endgültiges Anziehen erreicht werden.
- Senken Sie die Klingenschutzfront und positionieren Sie die Verriegelung des Klingenschutzes auf der Vorderschraube des Klingenschutzes. Ziehen Sie die Vorderschraube des Klingenschutzes fest.



HINWEIS! Bedienen Sie die Säge nicht, wenn die Verriegelung nicht betätigt und die Schraube nicht montiert ist. Verwenden Sie die Säge nicht, wenn diese beschädigt ist.

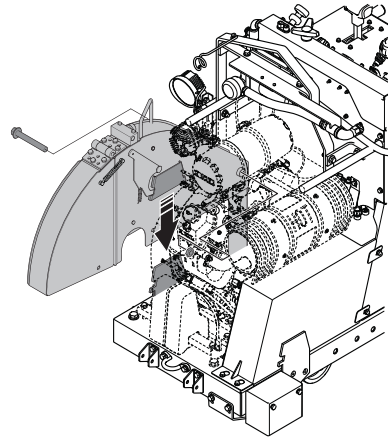
- Führen Sie einen Probelauf der Maschine durch und stellen Sie sicher, dass keine ungewöhnlichen Geräusche auftreten. Ungewöhnliche Geräusche sind ein Zeichen, dass die Klinge nicht korrekt montiert ist.

Installieren des Klingenschutzes

Aufsteckbare Klingenschützer werden mit einer Klingenschutzarretierung gesichert, die die hintere Hälfte des Klingenschutzes umfasst.

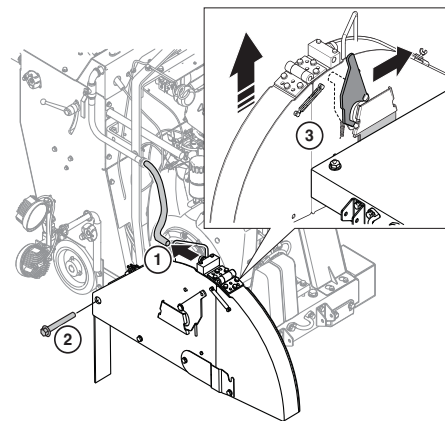
Bedienen Sie diese Säge nicht, wenn die Arretierung nicht aktiviert ist. Überprüfen Sie die Klingenschützer und die Arretierungen regelmäßig. Verwenden Sie die Säge nicht, wenn diese beschädigt ist.

Senken Sie den Schutz auf die Steckscheiben und drücken Sie den Sägeblattschutz mit mäßigem Kraftaufwand nach unten, bis die Arretierung einrastet.



Entfernen des Klingenschutzes

- 1 Trennen Sie den Wasserschlauch vom Klingenschutz.
- 2 Entfernen Sie die Schraube am Sägeblattschutz.
- 3 Bewegen Sie die Arretierung des Sägeblattschutzes nach vorne, bis sie stoppt und entriegelt. Heben Sie den Sägeblattschutz am entsprechenden Griff aus der Steckscheibe.



Schnitttiefe

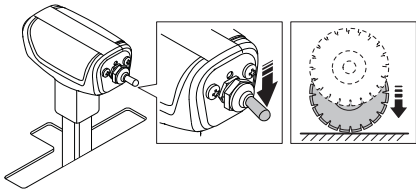
Die Säge ist mit einer Schnitttiefenanzeige ausgestattet, die die Tiefe anzeigt, in der die Säge schneidet. Die Säge verfügt auch über einen Schnitttiefen-Stopper, der die Säge nur bis zu einer bestimmten Schnitttiefe schneiden lässt.

Weitere Informationen zur maximalen Schnitttiefe der verschiedenen Klingengrößen finden Sie im Abschnitt "Klingen".

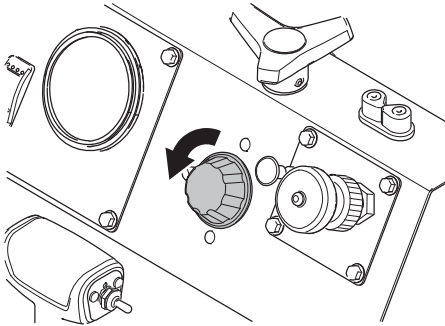
Verwendung der Schnitttiefeanzeige

HINWEIS! Schneiden Sie nur so tief, wie die Arbeitsspezifikationen es erfordern, da ein tieferes Schneiden Strukturfestigkeitsprobleme verursachen kann.

- Wenn der Motor läuft, drehen Sie den Startschalter des Motors in die Stellung OFF“ (AUS), um den Motor abstellen.
- Drehen Sie den Startschalter des Motors in die Stellung ON“ (AN).
- Senken Sie die Säge ab, indem Sie den Schalter zum Anheben/Absenken auf dem Richtungshebel Vorwärts/Rückwärts nach unten drücken, bis das Sägeblatt die zu schneidende Oberfläche berührt. Dieser dient als Referenzpunkt.



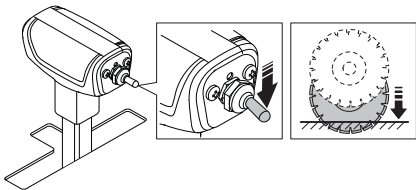
- Drehen Sie die Schnitttiefeanzeige in die Stellung 0°. Die Schnitttiefe wird nun in der Schnitttiefeanzeige angegeben, wenn das Sägeblatt in die zu schneidende Oberfläche abgesenkt wird.



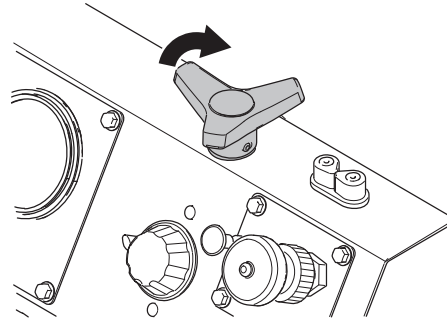
ACHTUNG! Der Druck sollte sanft sein, um Schäden an der Klinge zu vermeiden. Verwenden Sie den Hebel zur Drehzahlregelung beim Senken der Säge, um die Senkgeschwindigkeit zu verlangsamen.

Verwendung des Schnitttiefe-Stoppers

- Senken Sie die Säge ab, indem Sie den Schalter zum Anheben/Absenken auf dem Richtungshebel Vorwärts/Rückwärts nach unten drücken, bis das Sägeblatt die erwünschte Tiefe erreicht (wie auf der Schnitttiefeanzeige angegeben).



- Stellen Sie den Schnitttiefe-Stopper ein, indem Sie den Hebel im Uhrzeigersinn festdrehen. Jetzt ist die maximale Schnitttiefe eingestellt. Wenn die Säge aus irgendeinem Grund aus der zu schneidenden Oberfläche angehoben wird, kann sie nun mit dem Schalter zum Anheben/Absenken am Richtungshebel Vorwärts/Rückwärts wieder bis zur festgelegten Tiefe abgesenkt werden.



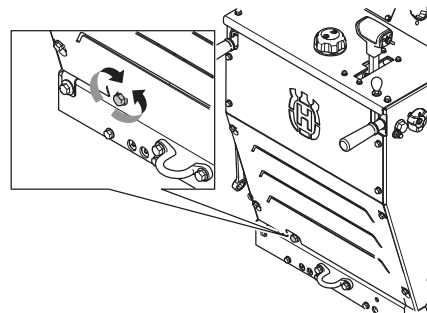
Schneiden von geraden Linien

Beim Schneiden erzeugt das Sägeblatt einen Widerstand zur Antriebskraft der Hinterräder, wodurch die Maschine in die gleiche Richtung giert, in der das Sägeblatt montiert ist. Diesem Effekt kann entgegengesteuert werden, indem der Winkel der Hinterachse mit der manuellen Achseneinstellung angepasst wird.

Einstellung der Hinterachse

HINWEIS! Lösen Sie zunächst die Schrauben an der Hinterachse und der Konsole am Radmotor.

- Die Hinterachse wird eingestellt, indem mit einem 18 mm-Zoll-Schraubenschlüssel die Stellschraube gedreht wird, die sich unten links auf der Rückseite des Rahmens der Säge befindet.
- Wenn die Säge während des Schneidens nach rechts steuert, drehen Sie die Stellschraube entgegen dem Uhrzeigersinn.
- Wenn die Säge während des Schneidens nach links steuert, drehen Sie die Stellschraube im Uhrzeigersinn.



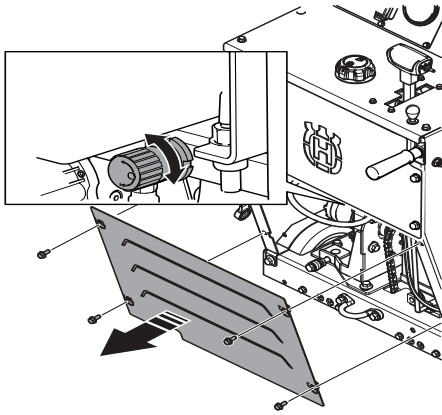
Hydraulikanlage

Das Hydrauliksystem der Säge dient zum Anheben/Absenken des Diamantsägeblattes und zum Bewegen der Säge nach vorne oder hinten.

Das Hydrauliksystem besteht aus einem hydrostatischen Getriebe, einer DC-Förderpumpe mit Stromregelventil und einem hydraulischen Hubzylinder.

BETRIEB

- Die Absenkgeschwindigkeit der Säge kann über das Stromregelventil eingestellt werden. Wenn die Säge sich zu schnell senkt, drehen Sie den Knopf auf dem Stromregelventil im Uhrzeigersinn, bis die passende Absenkgeschwindigkeit eingestellt ist.



Transport und Aufbewahrung

- Entfernen Sie die Klinge, bevor Sie die Maschine transportieren oder lagern, um Schäden an der Klinge zu vermeiden.
- Entfernen Sie alle Einstellwerkzeuge und Zoll-Schraubenschlüssel.
- Schließen Sie das Kraftstoffabsperrentil.



WARNUNG! Entfernen Sie die Trennscheibe vor dem Anheben, Be- bzw. Entladen oder Transportieren der Maschine.

Transport



WARNUNG! Entfernen Sie stets die Trennscheibe vor dem Transportieren der Maschine außerhalb des Schneidbereichs.



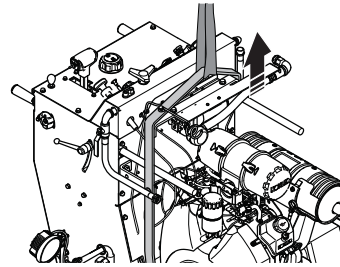
WARNUNG! Seien Sie extrem vorsichtig, wenn Sie die Säge bei laufendem Motor auf Rampen hoch- und herunterbewegen. Verwenden Sie bei steilen Rampen immer eine Winde. Stehen Sie niemals unter der Maschine. Stehen Sie nur daneben.

- Um eine Rampe herunterzugehen, fahren Sie die Säge langsam rückwärts.
- Um eine Rampe hinaufzugehen, fahren Sie die Säge langsam vorwärts.

Anheben der Säge

- Vorsicht beim Heben. Schweres Gerät bedeutet Klemmgefahr und Gefahr für andere Verletzungen.

- Verwenden Sie zum Anheben des Geräts immer die dafür vorgesehene Hebeöse.



Transport mit einem Fahrzeug

- Achten Sie beim Transport der Schneidausrüstung darauf, dass diese nicht beschädigt wird. Verwenden Sie die werkseitig installierten Verzurrösen an der Vorder- und Rückseite der Säge, um Bewegungen während des Transports zu vermeiden.
- Ziehen Sie die Säge nicht mithilfe eines anderen Fahrzeugs, da dies die Antriebskomponenten beschädigen kann.

Verwahrung

Bewahren Sie das Gerät für Kinder und Unbefugte unzugänglich in einem abschließbaren Raum auf.

- Halten Sie den Motor an, indem Sie den Startschalter des Motors in die STOP-Position drehen.
- Bringen Sie den Richtungshebel Vorwärts/Rückwärts in die Stellung Stop/Neutral.

Anweisungen zum Transport und zur Lagerung von Kraftstoff und Batterie finden Sie in den Abschnitten Umgang mit Kraftstoff“ und Handhabung der Batterie“.

Anweisungen zum Transport und zur Lagerung von Klingen finden Sie im Abschnitt „Klingen“.

Langzeitaufbewahrung

Vor der Langzeitaufbewahrung sicherstellen, dass die Maschine gründlich gesäubert und komplett gewartet wurde. Weitere Informationen zur Langzeitaufbewahrung finden Sie in der Bedienungsanleitung des Motors.

- Entfernen Sie die Klinge zum Lagern und bewahren Sie sie sorgfältig auf.

Schließen Sie das Kraftstoffabsperrentil und bringen Sie die hintere Schutzabdeckung neu an.

- Schmieren Sie vor der Lagerung alle Nippel.
- Klemmen Sie den Minuspol ab und sichern Sie ihn in einem sicherem Abstand von der Batterie.
- Führen Sie während einer Langzeitaufbewahrung eine Erhaltungsladung der Batterie durch.
- Bei längerer Aufbewahrung des Geräts ist der Kraftstofftank zu leeren. An der nächsten Tankstelle können Sie erfahren, wie Sie überschüssigen Kraftstoff am besten entsorgen.
- Lagern Sie die Maschine und die dazugehörigen Werkzeuge an einem trockenen, frostsicheren Ort.
- Decken Sie die Maschine ab, falls sie im Freien gelagert wird.
- Wechseln Sie nach einer Langzeitaufbewahrung das Motoröl.

STARTEN UND STOPPEN

Vor dem Start



WARNUNG! Lesen Sie die Bedienungsanweisung sorgfältig durch und machen Sie sich mit dem Inhalt vertraut, bevor Sie das Gerät benutzen.

Tragen Sie persönliche Schutzausrüstung. Siehe die Anweisungen unter der Überschrift "Persönliche Schutzausrüstung".

Sorgen Sie dafür, dass sich innerhalb des Arbeitsbereichs keine unbefugten Personen aufhalten, andernfalls besteht die Gefahr von schweren Verletzungen.

- Warten Sie das Gerät täglich. Siehe Anweisungen im Abschnitt "Wartung und Service".
- Prüfen Sie, dass die Klinge frei rotieren kann, bevor die Maschine gestartet wird.

HINWEIS! Lesen Sie die Bedienungsanleitung des Motorherstellers aufmerksam durch.

Erste Inbetriebnahme

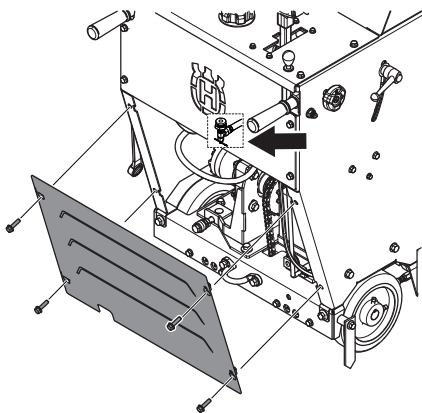
- Überprüfen Sie den Motoröl-Pegel ohne Klinge und mit der Säge horizontal, damit die Säge eben ist.
- Schließen Sie die Batteriekabel an. Die Batteriekabel sind bei Auslieferung des Fugenschneiders nicht angeschlossen.

In einigen Märkten werden Batterien aus Sicherheitsgründen beim Transport nicht mitgeliefert. Bauen Sie eine neue Batterie ein.

Weitere Informationen finden Sie im Abschnitt „Technische Daten“.

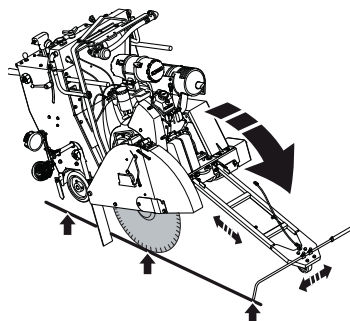
Die Maschine verfügt über ein Kraftstoffabsperrentil. Zum erstmaligen Starten der Maschine:

- Befüllen Sie den Kraftstoffbehälter.
- Entfernen Sie die hintere Schutzabdeckung und öffnen Sie das Kraftstoffabsperrentil.



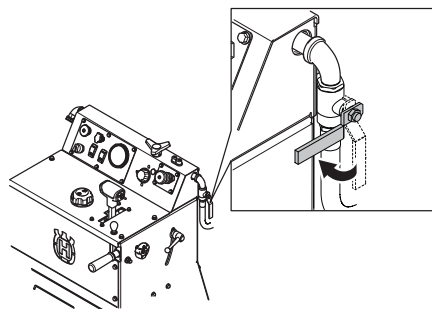
- Bringen Sie die hintere Schutzabdeckung neu an.

- Lassen die vordere Führung nach unten und richten Sie die vordere Führung, die hintere Führung und die Diamantklinge mit der Linie auf der Oberfläche aus. Die vordere Führung ist teleskopisch. Passen Sie die Länge mit den Schrauben auf der Innenseite der vorderen Führung an.

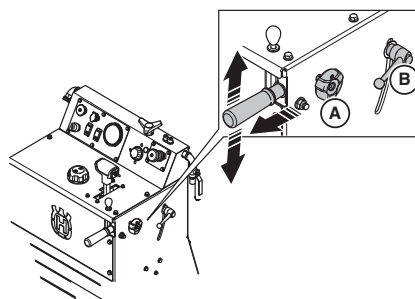


Starten

- Verbinden Sie die Maschine mit einer Wasserzufuhr. Schließen Sie das Wasserventil.

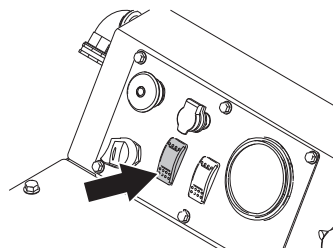


- Markieren Sie die abzuschneidende Oberfläche, indem Sie an der Position, wo der Schnitt gemacht werden soll, eine Linie zeichnen.
- Ziehen Sie den Lenker bis zur gewünschten Länge und Höhe heraus und ziehen Sie die Drehknöpfe fest an.



Motor anlassen

- Um die Säge zu starten, wenn kein Wasserdruck vorhanden ist, bringen Sie den Wassersicherheitsschalter in die Stellung "OFF" (AUS).

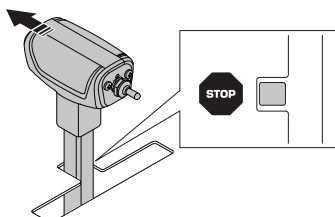


STARTEN UND STOPPEN

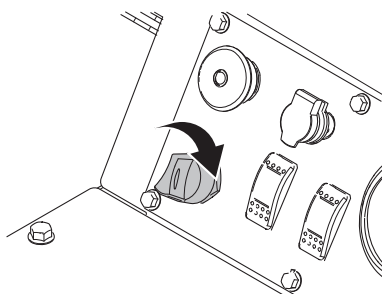
Wassersicherheitssystem

Mithilfe des Wassers wird eine Überhitzung der Klinge verhindert und gleichzeitig der Staub kontrolliert, der beim Schneiden entsteht. Das Wassersicherheitssystem überwacht den Wasserdruck zur Maschine und unterbricht den Schneideprozess, wenn der Druck fällt.

- Bringen Sie den Richtungshebel Vorwärts/Rückwärts in die Stellung Stop/Neutral“. Der Motor startet nur, wenn sich der Hebel eindeutig in der Stellung Stop/Neutral“ befindet.



- Motor anlassen.



- Lassen Sie die Maschine für einige Minuten mit dem Gashebel des Motors im Leerlauf (Minimum) aufwärmen.

Wärmen Sie die Maschine nicht außerhalb des Schneidbereichs auf, wenn die Trennscheibe auf dem Gerät montiert ist. Zur Montage der Trennscheibe lesen Sie die Anweisungen unter der Überschrift Montage der Trennscheibe“.

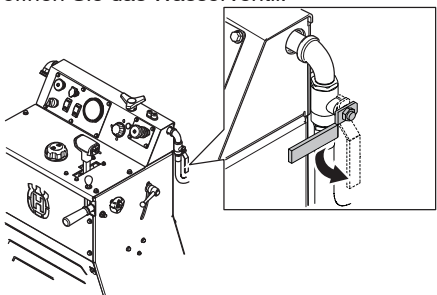
Beginnen Sie mit dem Schneiden



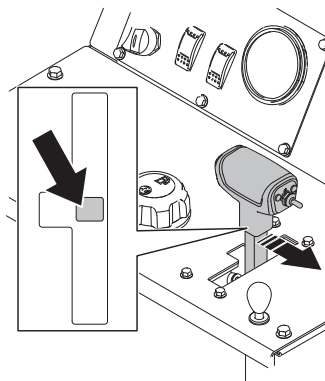
WARNUNG! Niemals Klingen verwenden, deren Drehzahl unter dem Wert für die Maschine liegt. Vergewissern Sie sich, dass die Klinge korrekt angebracht ist.

HINWEIS! Die passende Klingelwelle und Motordrehzahl für spezifische Klingengrößen finden Sie in der Tabelle.

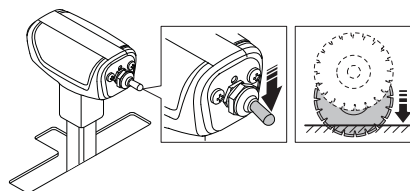
- Überprüfen Sie, ob die Wasserzufuhr angemessen ist. Ein niedriger Wasserfluss führt dazu, dass die Diamantklingen beschädigt werden. Schalten Sie den Wassersicherheitsschalter auf der Bedientafel ein und öffnen Sie das Wasserventil.



- Legen Sie den Vorwärts/Rückwärts-Steuerhebel um.

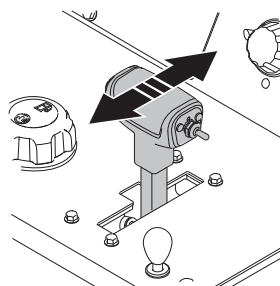


- Setzen Sie den Motor-Gashebel-Knopf auf die maximale Drehzahl.
- Senken Sie die Klinge, indem Sie den Schalter zum Heben/Senken auf dem Vorwärts/Rückwärts-Steuerhebel drücken, bis sich die Klinge an der gewünschten Schnitttiefe befindet. Weitere Informationen finden Sie im Abschnitt Schnitttiefe“.



ACHTUNG! Wenn Sie die Klinge in einen Teilschnitt senken, richten Sie die Klinge exakt mit dem Schnitt aus, um Schäden an der Klinge zu vermeiden.

- Bewegen Sie die Säge langsam vorwärts, indem Sie den Vorwärts/Rückwärts-Steuerhebel nach vorne drücken. Hören Sie auf die Geräusche des Motors. Wenn der Motor beginnt, langsamer zu werden, gleichen Sie dies aus, indem Sie den Vorwärts/Rückwärts-Steuerhebel zurückziehen, um die Zufuhr zu verringern und ein Blockieren der Klinge zu vermeiden. Stellen Sie sicher, dass die vordere Führung, die hintere Führung und die Diamantklinge auf der Linie bleiben.



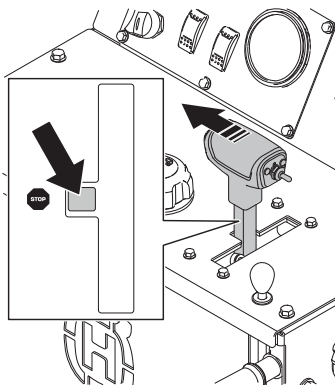
Stoppen



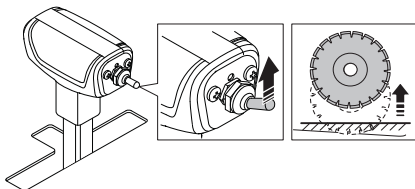
WARNUNG! Halten Sie Hände und Füße von der Klinge und allen anderen beweglichen Teilen entfernt.

Beenden Sie das Schneiden.

- Bringen Sie den Richtungshebel Vorwärts/Rückwärts in die Stellung Stop/Neutral“.

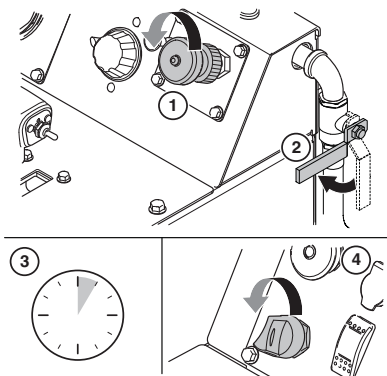


- Heben Sie die Diamantklinge aus dem Schnitt heraus, indem Sie den Schalter zum Heben/Senken auf dem Drehzahlsteuerhebel nach oben drücken, bis die Diamantklinge sich von der Oberfläche erhebt.




Motor abstellen

- 1 Drehen Sie den Motor-Gashebel-Knopf auf die niedrige Leerlaufposition.
- 2 Drehen Sie das Wasserventil zu.
- 3 Lassen Sie den Motor einige Minuten lang im Leerlauf laufen, bevor Sie ihn abschalten. Führen Sie die Montage innerhalb des Schneidbereichs durch, und lassen Sie die Maschine nicht unbeaufsichtigt.
- 4 Halten Sie den Motor an, indem Sie den Startschalter des Motors in die STOP-Position drehen.



Allgemeines



WARNUNG! Die meisten Unfälle ereignen sich bei der Störungsbehebung, dem Service oder der Wartung der Maschine, weil das Wartungspersonal sich hierfür in den Sicherheitsbereich der Maschine aufhalten muss. Unfälle können allein dadurch verhindert werden, dass man derartige Einsätze sorgfältig plant und dabei vorsichtig vorgeht.

Muss der Motor bei der Wartung laufen, achten Sie dabei auf die beweglichen Teile der Maschine.

Beachten Sie bei allen Wartungs- und Servicearbeiten die Anweisungen dieses Handbuchs, um Störungen oder Beschädigungen zu vermeiden, die den Wert der Maschine mindern könnten.

Beachten Sie außerdem die Handbücher der Werkzeuge sowie der übrigen Zusatzgeräte.

Der Bediener darf nur die Wartungs- und Servicearbeiten ausführen, die in dieser Bedienungsanleitung beschrieben sind. Größere Eingriffe sind von einer autorisierten Servicewerkstatt auszuführen.

Bei Reparaturen ausschließlich Original-Ersatzteile verwenden.

Maßnahmen vor Wartungs-, Service- und Fehlerbehebungsarbeiten

Allgemeines

- Die Maschine muss sich in einem sicheren Bereich befinden.
- Parken Sie die Maschine immer auf einer ebenen Oberfläche mit ausgeschaltetem Motor und mit dem Startschalter des Motors in die STOP-Position, bevor Sie starten. Drücken Sie den Maschinen-Stoppsschalter auf der Bedientafel.
- Beim Einsatz der Maschine erhitzen sich unterschiedliche Teile erheblich. Fangen Sie mit der Wartung erst dann, wenn die Maschine heruntergekühlt ist.
- Geben Sie mithilfe von Schildern deutlich zu erkennen, dass gerade Wartungsarbeiten stattfinden.
- Sorgen Sie dafür, daß der Arbeitsbereich ausreichend beleuchtet ist, damit Sie sicher arbeiten können.
- Vergewissern Sie sich, dass Feuerlöscher, ein Verbandskasten und ein Notruftelefon in Ihrer Nähe sind.
- Entfernen Sie die Trennscheibe vor der Durchführung von Wartungs-, Reparatur- oder Fehlerbehebungsarbeiten.


Schutzausrüstung

- Tragen Sie persönliche Schutzausrüstung. Siehe die Anweisungen unter der Überschrift "Persönliche Schutzausrüstung".

Arbeitsumgebung

- Um die Rutschgefahr zu verringern, ist der Arbeitsbereich stets sauber zu halten.

Reinigung



ACHTUNG! Bei der Reinigung der Maschine könnten Verschmutzungen und Schadstoffen zu Reizerscheinungen z. B. an Ihren Augen führen.

Beim Einsatz eines Hochdruckreinigers könnten sich Schmutzpartikel und Schadstoffe von der Maschine lösen.

Die Wasser- bzw. Luftpartikel beim Einsatz eines Hochdruckreinigers können unter die Haut dringen und zu schweren Verletzungen führen. Zielen Sie niemals auf die Haut mit einem Hochdruckreiniger.

Reinigen Sie die Maschine nach jeder Benutzung, nachdem sie abgekühlt ist.

Reinigungsmethode

Die Reinigungsmethode hängt von Art und Umfang der Verschmutzung. Milde Entfettungsmittel können für die Reinigung verwendet werden. Vermeiden Sie dabei jeglichen Hautkontakt. Verwenden Sie zur Reinigung dieser Maschine einen Hochdruckreiniger.

Reinigung der Komponenten

Einige Komponenten müssen bei der Reinigung gesondert behandelt werden.

HINWEIS! Verwenden Sie zur Reinigung der Bedientafel keinen Hochdruckreiniger.

Motor

- Halten Sie zwischen der Düse und dem Motor und seinen Komponenten einen Abstand von mindestens 40 cm. Sprühen Sie nicht zu aggressiv auf den Motor, um Schäden an elektrischen Komponenten wie elektrischen Steckern oder der Lichtmaschine zu vermeiden. Sprühen Sie kein Wasser direkt in die Abgasleitung oder in den Luffilter des Motors.

Nach der Reinigung

- Schmieren Sie sämtliche Schmierstellen der Maschine.
- Trocknen Sie alle Anschlüsse unter Verwendung von Druckluft.
- Warten Sie vor dem Start, bis die Maschine gründlich getrocknet ist.
- Nach der Reinigung ist beim Starten der Maschine größte Vorsicht geboten. Es kann zu einem fehlerhaften Bewegungsverhalten der Maschine kommen, wenn Maschinenteile durch Feuchtigkeit beschädigt wurden.

WARTUNG UND SERVICE

Serviceschema

Das Serviceschema ist von der Laufzeit der Maschine abhängig. Bei Einsätzen in staubigen oder heißen Arbeitsumgebungen oder bei Arbeiten, bei denen hohe Temperaturen erzeugt werden, sind kürzere Serviceintervalle erforderlich. Eine Beschreibung der Servicemaßnahmen finden Sie unter „Serviceübersicht“.

Zu bestimmten Instandhaltungsanforderungen finden Sie die Serviceintervalle im folgenden Wartungsplan. Halten Sie die Serviceintervalle ein. Die Maschine merkt sich die Betriebsstunden, welche auf dem Display zu sehen sind.

- Parken Sie die Maschine immer auf einer ebenen Oberfläche mit ausgeschaltetem Motor und mit dem Startschalter des Motors in der STOP-Position, bevor Sie Wartungsmaßnahmen ausführen. Drücken Sie den Maschinen-Stoppsschalter auf der Bedientafel.

Lesen Sie das Motorhandbuch Ihres Geräts sorgfältig durch und machen Sie sich mit den Anweisungen vertraut, bevor Sie das Gerät benutzen. Im Motorhandbuch sind einige Wartungsintervalle spezifiziert.

Tägliche Wartung

Die tägliche Wartung muss auch nach dem Transport stattfinden.

	Täglich	50 Stunden	100 Stunden	250 Stunden	500 Stunden	Jährlich
Auf eventuell vorhandenen Kraftstoff- und Ölaustritt kontrollieren.	X					
Ölstand im Motor prüfen	X					
Prüfen Sie den Klingenschutz auf Schäden.	X					
Prüfen Sie Schläuche und Klemmen auf Schäden oder Spiel. Befestigen oder ersetzen Sie diese je nach Notwendigkeit.	X					
Überprüfen Sie den Luftfilter-Verstopfungsanzeiger. Reinigen Sie den äußeren Luftfilter, wenn die Anzeige rot ist.	X					
Achten Sie auf die korrekte Anbringung und den einwandfreien Zustand aller Sicherheitsvorrichtungen.	X					
Prüfen Sie den Wasserstrahl über der Diamantklinge.	X					
Wechseln Sie Motoröl und Filter aus*		X				
Schmieren Sie die Vorderräder.		X				
Schmieren Sie die Klingenklinge (zwei Schübe an jedem Ende).		X				
Den Treibriemen auf Abnutzung prüfen.		X				
Wechseln Sie Motoröl und Filter aus*			X			
Schmieren Sie die vorderen Schwenkachsenlager.			X			
Prüfen Sie die Räder auf Abnutzung oder Schäden.			X			
Prüfen Sie die Räder auf Spiel.			X			
Überprüfen Sie den Schlauch und die Klemmen des Motorluftfilters.			X			
Überprüfen Sie den Flüssigkeitsstand des Hydrauliksystems.			X			
Schmieren Sie den Hydraulikzylinder-Gelenkstift.				X		
Schmieren Sie das Hinterachsenlager.				X		
Wechseln Sie die Hydrauliksystemflüssigkeit.					X	
Ersetzen Sie den Kraftstofffilter des Motors (Aufschraub-Typ).					X	
Ersetzen Sie den äußeren und inneren Luftfilter.						X

* Einmal nach 50 Stunden, dann alle 100 Stunden.

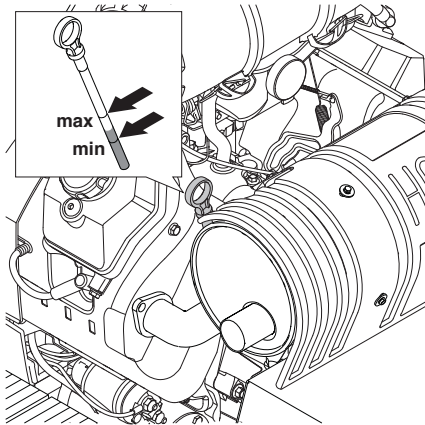
Tägliche Wartung



WARNUNG! Kontrollen und/oder Wartungsmaßnahmen sind mit abgeschaltetem Motor durchzuführen.

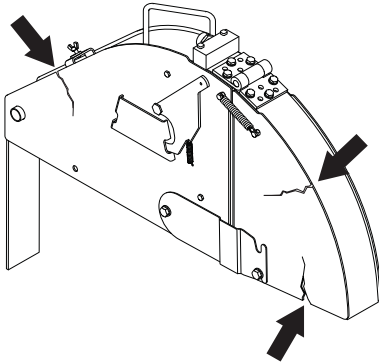
Überprüfen Sie den Motoröl-Pegel ohne Klinge und mit der Säge horizontal, damit die Säge eben ist.

- Prüfen Sie den Motorölstand.
- Stellen Sie sicher, dass der Pegel zwischen den beiden Grenzwerten liegt.



Prüfen Sie den Klingenschutz auf Schäden.

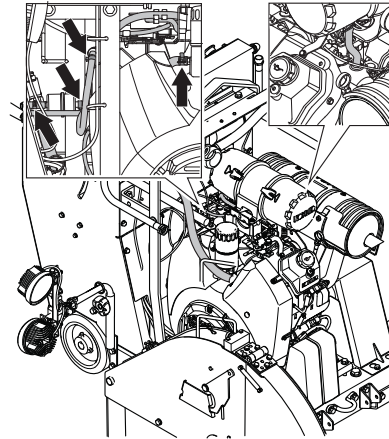
- Prüfen Sie den Klingenschutz auf Risse.



- Verwenden Sie niemals einen kaputten oder beschädigten Klingenschutz.

Prüfen Sie alle Schläuche und Klemmen auf Schäden oder Spiel.

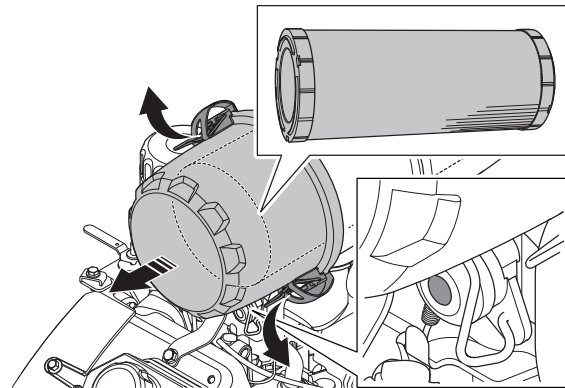
Die Abbildung zeigt nur einige der Schläuche und Klemmen.



- Prüfen Sie auf Lecks im Kraftstoff- und Hydrauliksystem. Befestigen oder ersetzen Sie je nach Notwendigkeit.

Überprüfen Sie den Luftfilter-Verstopfungsanzeiger.

- Prüfen und reinigen Sie den äußeren Luftfilter, wenn der Luftfilteranzeiger rot ist. Entfernen Sie die hintere Abdeckung, indem Sie die zwei Klemmen des Luftfiltergehäuses öffnen und das Gehäuse abnehmen.



- Beschädigte Filter sind immer auszuwechseln.



ACHTUNG! Beim Filterwechsel kann gesundheitsschädlicher Staub verteilt werden. Tragen Sie einen zugelassenen Atemschutz. Entsorgen Sie Filter ordnungsgemäß.

Der Filter darf nicht mit Druckluft gereinigt werden, da er hierdurch beschädigt wird. Filter können durch Absaugen gereinigt werden. Schlagen oder ziehen Sie keine Gegenstände über die Oberfläche, da der Filter hierdurch beschädigt wird.

Verwenden Sie keinen Hochdruckreiniger, da der Filter hierdurch beschädigt wird.

Der gereinigte Filter muss vollständig getrocknet sein, bevor er wieder in das Gerät eingesetzt werden darf.

WARTUNG UND SERVICE

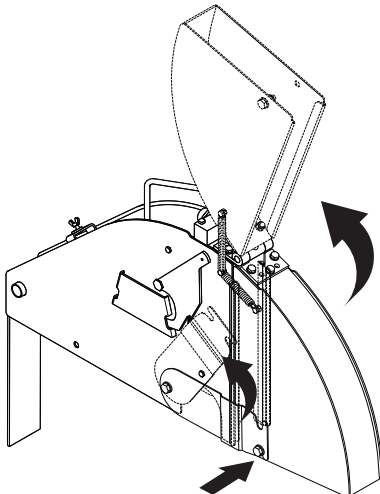
Schutzabdeckungen

- Achten Sie auf die korrekte Anbringung und den einwandfreien Zustand aller Schutzabdeckungen.

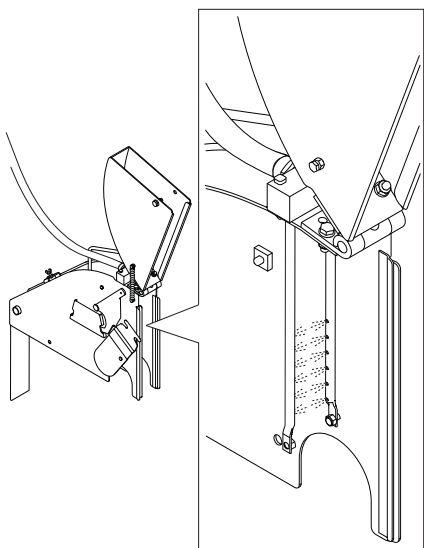
Weitere Informationen finden Sie im Abschnitt "Sicherheitsausrüstung der Maschine".

Prüfen Sie den Wasserstrahl über der Diamantklinge.

- Heben Sie die Klingenschutzfront an und verwenden Sie den Schnellverschlusspin, um sie in der aufrechten Position zu verriegeln.



- Öffnen Sie das Wasserventil auf der Bedientafel. Stellen Sie sicher, dass gerade Wasserstrahlen aus den Löchern der Wasserleitungen an beiden Seiten der Klinge herauskommen und es keine Undichtigkeiten gibt. Ersetzen Sie die Wasserleitung, wenn sie beschädigt ist.



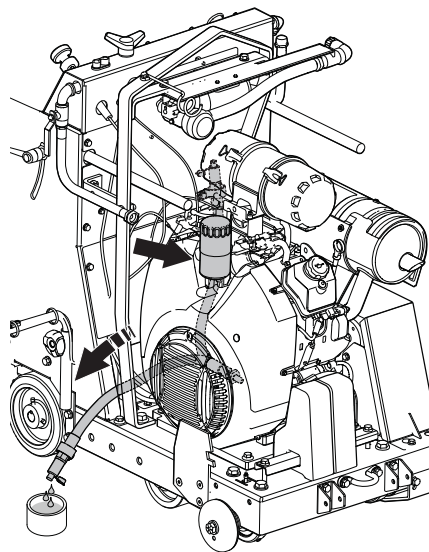
Nach den ersten 50 Betriebsstunden

Wechseln Sie Motoröl und Filter aus.

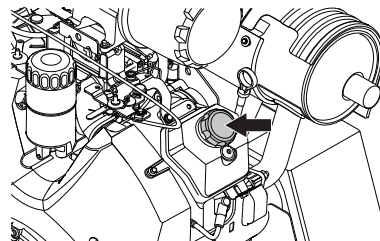
- Entfernen Sie die Deckkappe vom Schlauch. Öffnen Sie das Ventil und biegen Sie es nach unten, um das System zu entleeren.

Entfernen Sie den Filter und ersetzen Sie ihn.

Schmieren Sie die Dichtung mit einigen Tropfen Öl, bevor Sie sie montieren.



- Befüllen Sie das System mit Öl.



- Überprüfen Sie den Ölstand des Motors, siehe Anweisungen unter der Überschrift "Tägliche Wartung".

Service nach 50 Betriebsstunden

Automatische Klingenswellenanspannung

Diese Maschine ist mit einer dynamischen Riemenspannvorrichtung ausgestattet, die keine Einstellung oder Wartung erfordert.

Die korrekte Spannung wurde während der Produktionsmontage voreingestellt. Ist jedoch ein Austausch der Riemen oder anderer Komponenten nötig, befolgen Sie bitte die 6 unten beschriebenen Schritte zur richtigen Vorgehensweise.

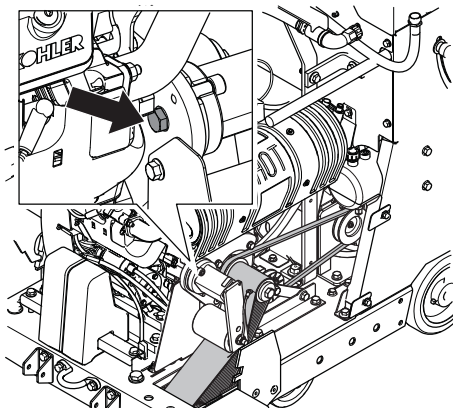
Erforderliche Werkzeuge

- 13-mm-Schraubenschlüssel (Nicht im Lieferumfang enthalten)
- 19-mm-Schraubenschlüssel (Nicht im Lieferumfang enthalten)
- Verstellbarer Schraubenschlüssel (Nicht im Lieferumfang enthalten)
- Inbusschlüssel, 8 mm (Nicht im Lieferumfang enthalten)

Zum Lösen der Riemenspannung

- Mit dem 13-mm Schraubenschlüssel die 4 M8-Schrauben lösen, mit denen der Riemenschutz befestigt ist. Entfernen Sie den Riemenschutz.
- Verwenden Sie den Inbusschlüssel, um die Inbusschraube (Sicherungsschraube) zu lösen.

- Lockern Sie die Schraube, die die Spannvorrichtung an der Platte befestigt, leicht mit dem 19-mm-Schraubenschlüssel.



Zur korrekten Spannungseinstellung

- Drehen Sie die Basis der Spannvorrichtung im Uhrzeigersinn mit dem verstellbaren Schraubenschlüssel, um die erforderliche Vorspannung einzustellen. Wenn der Winkel auf der Spannvorrichtung zeigt 25° und der Schlitz auf der Spannvorrichtungsbasis auf das Loch in der Platte ausgerichtet ist: Ziehen Sie die Befestigungsschraube mit einem 19-mm-Schraubenschlüssel fest.
- Drehen Sie die Inbusschraube mithilfe eines Inbusschlüssels wieder ein.
- Bringen Sie den Riemenschutz wieder an. Ziehen Sie mit einem 13-mm-Schraubenschlüssel die 4 M8-Schrauben fest, mit denen der Riemenschutz befestigt ist.



ACHTUNG! Ersetzen Sie immer die Poly V Riemen, wenn diese verschlissen oder beschädigt sind.

Schmieren Sie die Klingenwelle (zwei Schübe an jedem Ende).

Siehe Anweisungen unter der Überschrift Schmierung“.

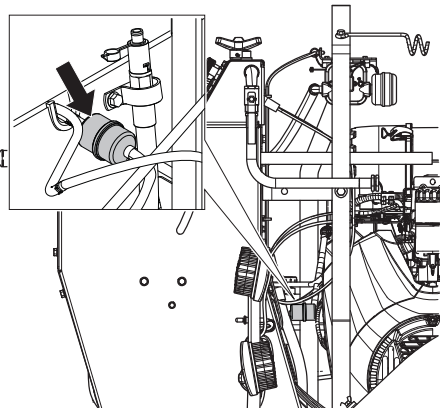
Schmieren Sie die Vorderräder.

Siehe Anweisungen unter der Überschrift Schmierung“.

Service nach 100 Betriebsstunden

Ersetzen Sie den Kraftstofffilter des Motors (Typ In-Line)

- Schließen Sie das Kraftstoffabsperrentil auf dem Kraftstofftank. Entfernen Sie den Kraftstofffilter, indem Sie ihn von der Kraftstoffleitung lösen. Tauschen Sie den Kraftstofffilter aus. Seien Sie vorsichtig, Kraftstoff kann eventuell verschüttet werden.



Wechseln Sie Motoröl und Filter aus.

Siehe Anweisungen unter der Überschrift Nach den ersten 50 Betriebsstunden“.

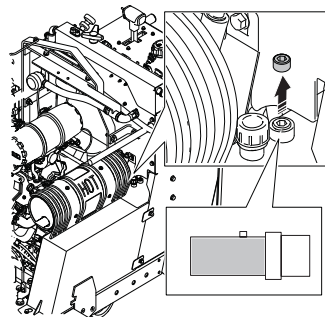
Prüfen Sie die Räder auf Abnutzung oder Schäden.

Prüfen Sie die Räder auf Spiel.

Überprüfen Sie den Schlauch und die Klemmen des Motorluftfilters.

Überprüfen Sie den Flüssigkeitsstand des Hydrauliksystems.

- Stellen Sie sicher, dass die Maschine vollständig abgesenkt ist.
- Entfernen Sie den Stöpsel in der Inspektionsöffnung am Servobehälter. Der Pegel sollte bis zur Unterkante der Öffnung am Servobehälter gehen, füllen Sie falls notwendig nach.



HINWEIS! Nicht überfüllen!

Schmieren Sie die vorderen Schwenkachsenlager.

Siehe Anweisungen unter der Überschrift Schmierung“.

Service nach 250 Betriebsstunden

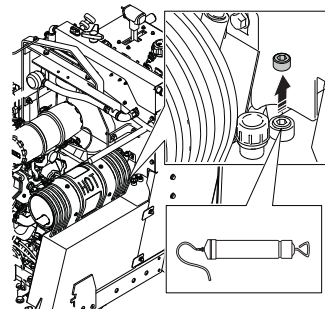
Schmieren Sie das Hinterachsenlager.

Siehe Anweisungen unter der Überschrift Schmierung“.

Service nach 500 Betriebsstunden

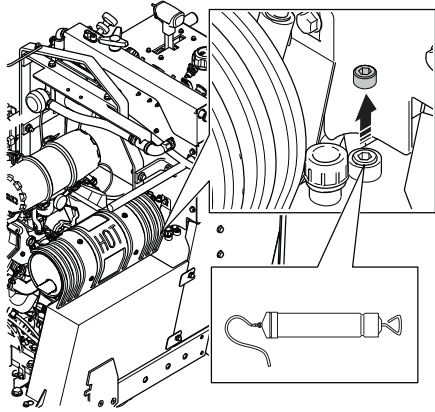
Wechseln Sie die Hydrauliksystemflüssigkeit.

- Stellen Sie sicher, dass die Maschine vollständig abgesenkt ist.
- Entfernen Sie den Stöpsel in der Inspektionsöffnung am Servobehälter und verwenden Sie den Ölextraktor, um die Flüssigkeit durch die Inspektionsöffnung abzusaugen.



WARTUNG UND SERVICE

- Füllen Sie den Behälter mit neuem Öl nach. Stellen Sie sicher, dass die Maschine vollständig abgesenkt ist.

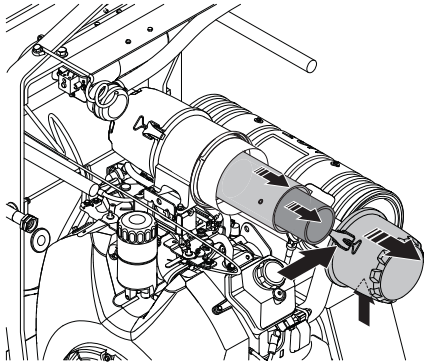


HINWEIS! Nicht überfüllen!

Jährliche Wartung

Ersetzen Sie den äußeren und inneren Luftfilter.

Entfernen Sie die hintere Abdeckung, indem Sie die zwei Klemmen des Luftfiltergehäuses öffnen und das Gehäuse abnehmen. Ersetzen Sie beide Filter und montieren Sie sie in der umgekehrten Reihenfolge.



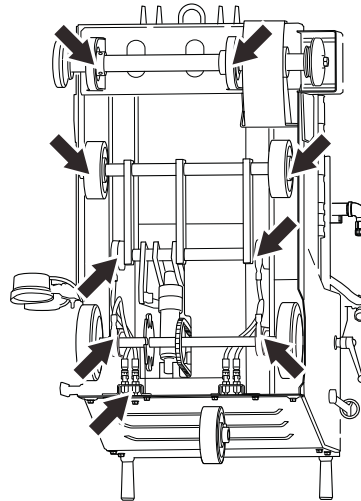
ACHTUNG! Die zwei Klemmen des Luftfiltergehäuses können erst dann geschlossen werden, wenn der äußere Luftfilter korrekt installiert ist.

Schmierung

Die Abbildung zeigt alle Schmierungspunkte (8 Schmiernippel). Reinigen Sie den Nippel. Tauschen Sie defekte oder blockierte Nippel aus.

- Schmieren Sie die Vorderräder.
- Schmieren Sie die vorderen Schwenkachsenlager.
- Schmieren Sie die Klingenwelle. Zwei Schübe an beiden Enden.
- Schmieren Sie das Hinterachsenlager.

Schmieren Sie die Klingenwelle an der Oberseite der Auflageplatte.



Entsorgung, Verschrottung

Dieses Produkt sollte gemäß den örtlichen Vorschriften an einer entsprechenden Recyclingstation abgegeben werden. Durch eine korrekte Entsorgung dieses Produkts tragen Sie dazu bei, mögliche negative Auswirkungen auf Ihre Umwelt und Mitmenschen zu verhindern. Durch eine unsachgemäße Entsorgung dieses Produkts können Schäden entstehen. Ausführliche Recyclinginformationen zu diesem Produkt erhalten Sie von Ihrer Kommune, Entsorgungsunternehmen für Hausmüll oder dem Geschäft, in dem Sie das Produkt erworben haben.



FEHLERSUCHE

Zwischenfälle während des Schneidens

ACHTUNG! Heben Sie die Klinge komplett aus dem Schnitt heraus, wenn der Motor oder die Klinge aus irgendeinem Grund stoppen. Stellen Sie den Startschalter des Motors in die STOP-Position. Drücken Sie den Maschinen-Stoppsschalter auf der Bedientafel. Untersuchen Sie die Maschine gründlich, bevor Sie den Motor neu starten.

- Lassen Sie Reparaturen ausschließlich von Ihrem autorisierten Händler durchführen.

Störung	Ursache	Mögliche Fehlerbehebung
Motor geht beim Sägen aus	Der Kraftstofftank ist leer.	Füllen Sie Kraftstoff nach
	Bei zu niedrigem Wasserstand stoppt der Wassersicherheitsschalter den Motor.	Schalten Sie den Wassersicherheitsschalter aus und prüfen Sie die Wasserversorgung. Starten Sie den Motor dann erneut.
	Der Maschinen-Stopp wurde nach unten gedrückt	Setzen Sie den Maschinen-Stopp zurück, indem Sie den Knopf herausziehen.
	Übermäßig schnelles Schneiden würgt den Motor ab.	Hören Sie auf die Geräusche des Motors. Wenn der Motor beginnt, langsamer zu werden, gleichen Sie dies aus, indem Sie den Vorwärts/Rückwärts-Steuerhebel zurückziehen, um die Zufuhr zu verringern und ein Blockieren der Klinge zu vermeiden.
	Trennschalter der Sicherung ist durchgebrannt.	Prüfen und ersetzen Sie die Sicherungen.
Die Diamantklinge bleibt beim Schneiden stehen.	Die Antriebsriemenspannung ist unzureichend.	Der ROSTA-Spanner oder Antriebsriemen muss ausgetauscht werden.
Die Säge senkt sich zu schnell.	Das Ventil, das das Absenken der Säge steuert, ist zu weit geöffnet.	Über den Hebel zur Drehzahlregelung beim Senken der Säge (auf/unter der Hydraulikpumpe) kann die Absenkgeschwindigkeit geändert werden. Wenn die Säge sich zu schnell senkt, drehen Sie den Hebel im Uhrzeigersinn, bis die passende Absenkgeschwindigkeit eingestellt ist.
Klinge schneidet zu langsam.	Die Klinge ist stumpf oder der Druck ist zu hoch	Verringern Sie für eine kurze Zeit die Schnitttiefe und die Motordrehzahl.

TECHNISCHE DATEN

Batterie

	FS 3500 G
Anschlussstyp	SAE-Norm
Spannung, V	12
CCA, A	475
Maximale Abmessungen, (LxBxH), mm/Zoll	242x175x175 / 9 9/16x6 7/8x6 7/8

Hydraulikflüssigkeit und Schmiermittel

Hydraulikflüssigkeit

Klasse	Standard
SAE 10W-30	API Class SE
	API Class CC
	API class CD

Schmiermittel

Komponente	Klasse	Standard	Füllmenge Öltank, Liter/Quart
Motoröl	SAE 10W-30	API-Klasse SJ	2/1.9
Hydrostatische Pumpe	SAE 10W-30		0.19/0.18
Hubpumpe	SAE 10W-30		1.0/0.95
Schmierungspunkte (Grundplatte)*	NLGI 2	SAE J310	

* Siehe Anweisungen im Abschnitt "Wartung und Service".

TECHNISCHE DATEN

Technische Daten

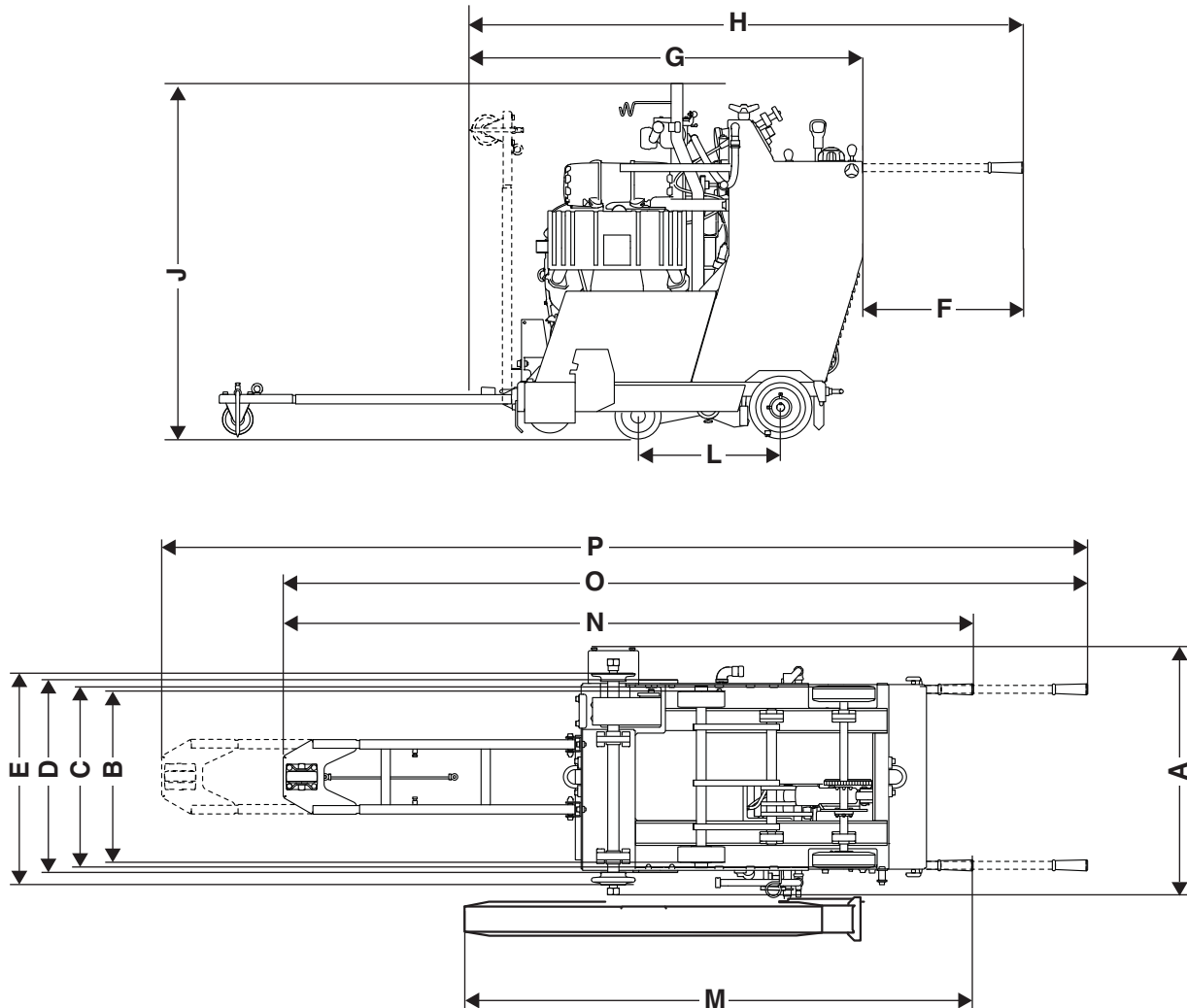
FS 3500 G

Sägenkomponente	500/20	650/26	750/30
Klingenschutzkapazität, mm/Zoll	500/20	650/26	750/30
Max. Schnitttiefe, mm/Zoll	192/7.72	255/10.25	305/12.25
Klingenwelle, U/min	2580	1860	1860
Ungefähre Ausgangsleistung der Klingenwelle, hp/kW	29/21.6		
Aufnahmebohrung, mm/Zoll	25.4/1 mit einem Mitnahmestift		
Schnelltrenn-Klingenflansch Ø, mm/Zoll	114.5/4.5	127/5	127/5
Klingenwellendurchmesser, mm/Zoll	44.45 / 1-3/4		
Trennscheibenwellenlager, mm/inch	Steh- und Kugellager 44.45 / 1-3/4		
Klingenwellenantrieb	Poly V Riemen (25 Rippen)		
Klingenkühlmittel	Verzinkte Doppelwasserstrahlrohre mit Mehrfachdüsen		
Klingenschutzbefestigung	Aufgesteckt, Autoverriegelung		
Klingensteuerung	Elektrohydraulische Pumpe hebt die Klinge; schaltergesteuertes Heben/Senken auf dem Drehzahlregelungshebel; Tiefenstopp und Schnitttiefeanzeiger.		
Achse Ø, mm/Zoll	Vorderseite, 25.4/1 Hinten, 25.4 /1		
Räder, mm/Zoll	Vorne, 152x51x25/6x2x1, dickes Polyurethan-Profil, abgedichtete Kugellager, die weniger Wartung erfordern Hinten, 203x51x25/8x3x1, Vollgummi		
Getriebe	Hydrostatische Pumpe, mit einem hydraulischen und über Schläuche verbundenen Radmotor, Kettenantrieb, neutraler Startschalter, Drehzahlregelung über einen Hebel.		
Maximale Geschwindigkeit	Stufenlos einstellbar: 0-51 m/min vorwärts und rückwärts. 25 m/min maximale Rückwärtsgeschwindigkeit bei CE-Modellen		
Chassis	Strapazierfähige, starre, Hohl- und Kanalprofilkonstruktion		
Gewicht (ohne Verpackung), kg/lb	409/902	413/911	416/917
Maximale Betriebsmasse, kg/lb	431/950	440/970	447/985

TECHNISCHE DATEN

Abmessungen der Säge

A	Breite, mm/Zoll		807 / 31 3/4	H	Länge der Säge (Richtungsweiser nach oben geklappt, Griffe ausgefahren), mm/Zoll	1977 / 77 3/4
B	Breite (Radmitte zu Radmitte), mm/Zoll	Vorn	502 / 19 3/4	J	Min. Gesamthöhe (ohne Abgasleitung, ohne Vorfilterkappe), mm/Zoll	1152 / 45 3/8
		Hinten	540 / 21 1/4			
C	Breite (Radaußenseite zu Radaußenseite), mm/Zoll	Vorn	553 / 21 13/16	L	Länge des Radstands, mm/Zoll	464 / 18 1/4
		Hinten	591 / 23 1/4	M	Länge von Schutz zu Griff (Griffe eingedrückt), mm/Zoll	1549 / 61
D	Rahmenbreite, mm/Zoll		606 / 23 7/8	N	Max. Gesamtlänge (Griffe eingedrückt), mm/Zoll	2210 / 87
E	Breite (Flansch-Innenseite zu Flansch-Innenseite) mm/Zoll		687/27-1/4	O	Max. Gesamtlänge (Griffe ausgefahren, Richtungsweiser nach unten geklappt), mm/Zoll	2895 / 114
F	Griffverlängerung, mm/Zoll		809 / 31 7/8	P	Max. Gesamtlänge (Griffe ausgefahren, Richtungsweiser ausgefahren), mm/Zoll	3378 / 133
G	Min. Sägelänge (Griffe entfernt, Zeiger und Schutz hochgestellt), mm/Zoll		1168 / 46			



TECHNISCHE DATEN

Motor FS 3500 G

Technische Daten des Motors	Kohler CH1000
Max. Motorleistung, kW (siehe Anmerkung 1)	37hp@3750rpm (27.5kW@3750rpm)
Hubraum, dm ³ / cu.in.	1.0/61
Cylinders	2
Hub, mm/Zoll	78.5/3.1
Volumen des Kraftstofftanks, Liter/Gallonen	23.8/6.3
Luftfilter	Cyclon Luftfilter und Anzeige für Luftfilterverstopfung
Anlasser	Elektrisch

Für weitere Informationen und bei Fragen zu dieser spezifischen Maschine besuchen Sie bitte www.kohlerengines.com.

Hinweis 1: Wie vom Motorhersteller angegeben. Die Angabe der Motor-Nennleistung entspricht der durchschnittlichen Nettoleistung (bei einer bestimmten Drehzahl) eines typischen Produktionsmotors für dieses Motormodell. Die Messung erfolgte gemäß ISO3046, SAE J1940/J1995. Maschinen für die Massenproduktion können von diesem Wert abweichen. Die tatsächliche Ausgangsleistung des Motors an der endgültigen Maschine hängt von der Betriebsgeschwindigkeit, den Umweltbedingungen und anderen Variablen ab.

Geräuschemissionen

	FS 3500 G
Geräuschemissionen (siehe Anmerkung 1)	
Gemessene Schalleistung dB(A)	107
Garantierte Schalleistung L _{WA} dB(A)	110
Lautstärke (siehe Anmerkung 2)	
Schalldruckpegel am Ohr des Benutzers, dB(A)	95
Vibrationspegel, a_{hV} (siehe Anmerkung 3)	
Handgriff rechts, m/s ²	1.6
Handgriff links, m/s ²	3.8

Anmerkung 1: Umweltbelastende Geräuschemission gemessen als Schalleistung (L_{WA}) gemäß EG-Richtlinie 2000/14/EG. Die Differenz zwischen garantiertem und gemessenem Schalldruckpegel besteht darin, dass beim garantierten Schalldruck auch eine Streuung im Messergebnis und Variationen zwischen verschiedenen Geräten desselben Modells gemäß der Richtlinie 2000/14/EG berücksichtigt werden.

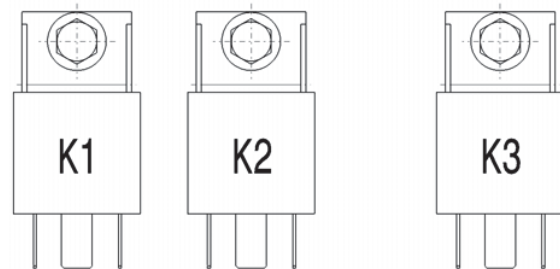
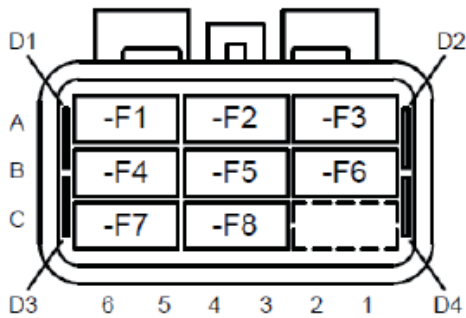
Anmerkung 2: Schalldruckpegel gemäß EN 13862. Berichten zufolge liegt der Schalldruckpegel normalerweise bei einer Ausbreitungsklasse (standardmäßige Ausbreitung) von 4,0 dB (A).

Anmerkung 3: Vibrationspegel gemäß EN 13862. Berichten zufolge liegt der Vibrationspegel normalerweise bei einer Ausbreitungsklasse (Standardabweichung) von 1 m/s².

RELAIS UND SICHERUNGSBOXEN

Relais und Sicherungsboxen – FS 3500 G

Funktion		Kennzeichnung	Ampere
Hauptsystem		-F1	20
Zündung		-F2	15
Hydraulikanlage		-F3	5
Motorvergaser- Magnetventil		-F4	5
Instrumente		-F5	2
Wasserpumpen-Satz	(optional)	-F6	10
Beleuchtungssatz	(optional)	-F7	10
Steckdosensatz	(optional)	-F8	15
Hauptrelais		-K1	20
Supressorrelais		-K2	10
Öl-Überwachungsrelais		-K3	5



EG-KONFORMITÄTSERKLÄRUNG

EG-Konformitätserklärung

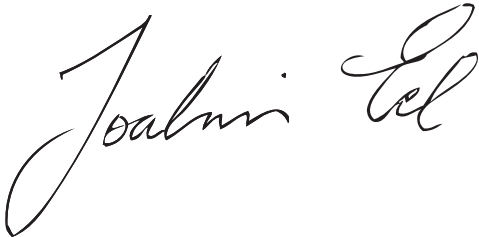
(nur für Europa)

Husqvarna AB, SE-561 82 Huskvarna, Schweden, Tel.: +46-36-146500, erklärt unter alleiniger Verantwortung, dass der Fugenschneider **Husqvarna FS 3500 G** von den Seriennummern des Baujahrs 2018 an (das Jahr und die nachfolgende Seriennummer sind deutlich auf dem Typenschild jeder Maschine erkennbar) den Vorschriften folgender RICHTLINIEN DES RATES entspricht:

- vom 17. Mai 2006 „Maschinen-Richtlinie“ **2006/42/EG**.
- vom 26. Februar 2014 "über elektromagnetische Verträglichkeit" **2014/30/EU**.
- vom 8. Mai 2000 "über umweltbelastende Geräuschemissionen von zur Verwendung im Freien vorgesehenen Geräten und Maschinen" **2000/14/EG**.

Folgende Normen wurden angewendet: **EN ISO 12100:2010, CISPR12:2007+Amd1:2009, EN55012:2008+A1:2009, EN13862+A1:2009, EN ISO 14982:2009, ISO 13766:2006**. RISE SMP Svensk Maskinprovning AB, Box 7035, SE-750 07 Uppsala, Schweden, hat die EG-Typenprüfung gemäß der Maschinen-Richtlinie (2006/42/EG) für Husqvarna AB durchgeführt. Das Prüfzertifikat hat die Nummer: **SEC/16/2457**

Partille, 1. Januar 2018



Joakim Ed

Global R&D Director

Construction Equipment Husqvarna AB

(Bevollmächtigter Vertreter für Husqvarna AB, verantwortlich für die technische Dokumentation.)

EXPLICAÇÃO DOS SÍMBOLOS

Símbolos na máquina:

Alguns dos símbolos abaixo referem-se ao mercado da comunidade europeia.

ATENÇÃO! A máquina, se for usada de forma indevida ou incorrecta, pode ser perigosa, causando sérios ferimentos ou mesmo a morte do utente ou outras pessoas.



Leia as instruções para o uso com toda a atenção e compreenda o seu conteúdo antes de fazer uso da máquina.



Use equipamento de protecção pessoal. Ver as instruções na secção "Equipamento de protecção pessoal".



Nenhum movimento da máquina fora da área de corte deve ser realizado com a ferramenta em rotação.



Retire a lâmina antes de proceder à elevação, carga, descarga e transporte da máquina.



A seta na protecção da ferramenta indica a direcção da rotação da ferramenta.



As protecções devem sempre estar montadas na máquina. Nunca permita que a exposição do disco ultrapasse os 180°.



Examine o equipamento de corte. Nunca utilize equipamento sem gume, rachado ou defeituoso.



Os discos devem estar marcados com a rotação igual ou superior à indicada na placa de tipo da máquina. Um disco de corte com velocidade demais pode quebrar-se ou causar lesões graves.



Não use a máquina perto de substâncias ou gases inflamáveis.



ATENÇÃO! Durante o corte produz-se poeira que, se respirada, pode causar lesões. Use protecção respiratória aprovada. Evite respirar vapores de gasolina e gases de escape. Certifique-se de que haja boa ventilação.



Superfície quente.



Máquina perigosa! Mantenha sempre todas as partes do seu corpo afastadas do disco e das restantes peças móveis.



Atenção: risco de corte



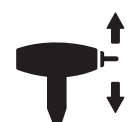
Regulação do fornecimento de água



Descer o disco



Interruptor para descer e levantar o disco



Ignição ligada



Arranque do motor



Paragem do motor

STOP

Paragem da máquina



Paragem da transmissão



Enchimento de combustível Apenas combustível sem chumbo



Arranque a frio



Óleo de motor



Vareta, mantenha o nível adequado de óleo do motor



Não levante a serra ao verificar o nível de óleo do motor.



Travão de estacionamento



Ativado/Desativado



EXPLICAÇÃO DOS SÍMBOLOS

Mantenha a serra nivelada, sem disco, ao verificar o nível de óleo.



Utilize sempre a pega de levantamento montada na máquina para a levantar.



Este produto está conforme as directivas em validade da CE. Se marcado na máquina.



Emissões sonoras para o meio ambiente conforme directiva da Comunidade Europeia. A emissão da máquina é indicada no capítulo Especificações técnicas e no autocolante.



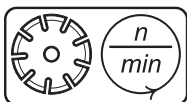
Peso



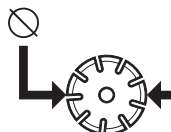
Potência nominal do motor, kW



Velocidade máx. lâmina, rpm



Diâmetro do disco de corte, mm



Placa de tipo

A: Fabricante

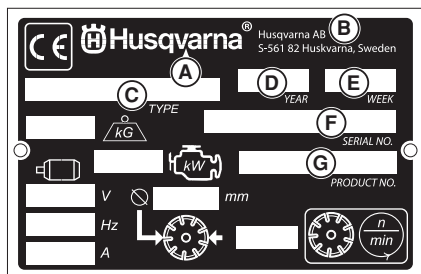
B: Fabricante, endereço

C: Tipo

D, E: Data de fabrico, ano, semana

F: Número de série

G: Número do produto



Os restantes símbolos e autocolantes existentes na máquina dizem respeito a exigências específicas para homologação em alguns países.

Explicação dos níveis de advertência

As advertências são classificadas em três níveis.

ATENÇÃO!



ATENÇÃO! Utilizado no caso de existir risco de ferimento grave ou morte para o operador ou de danos nas zonas envolventes, se não forem seguidas as instruções do manual.

CUIDADO!



CUIDADO! Utilizado no caso de existir risco de ferimento para o operador ou de danos nas proximidades, se não forem seguidas as instruções do manual.

ATENÇÃO!

ATENÇÃO! Utilizado se existir risco de danos para os materiais ou para a máquina, se não forem seguidas as instruções do manual.

ÍNDICE

Índice

EXPLICAÇÃO DOS SÍMBOLOS

Símbolos na máquina:	219
Explicação dos níveis de advertência	220

ÍNDICE

Índice	221
--------------	-----

APRESENTAÇÃO

Prezado cliente!	222
Design e características	222
FS 3500 G	222
Componentes da serra de pavimento - FS 3500 G	223
Componentes do painel de controlo	225

EQUIPAMENTO DE SEGURANÇA DA MÁQUINA

Noções gerais	226
---------------------	-----

DISCOS DE CORTE

Noções gerais	228
Discos de diamante	228
Transporte e armazenagem	228

MANEJO DE COMBUSTÍVEL

Noções gerais	229
Combustível	229
Abastecimento	229
Transporte e armazenagem	229

MANUSEIO DAS BATERIAS

Noções gerais	230
Conectar a bateria	230
Desligar a bateria	230
Ligar o motor com a bateria fraca	230

OPERAÇÃO

Equipamento de protecção	231
Instruções gerais de segurança	231
Assistência	231
Técnicas básicas de trabalho	232
Posição do guiador	233
Deslocar a máquina	233
Montagem da lâmina	234
Profundidade de corte do disco	236
Corte em linha reta	237
Sistema hidráulico	237
Transporte e armazenagem	238
Armazenamento de longa duração	238

ARRANQUE E PARAGEM

Antes de ligar	239
Primeiro arranque	239
Arranque	239
Paragem	241

MANUTENÇÃO E REVISÃO

Noções gerais	242
Medidas prévias à manutenção, revisão e resolução de problemas	242
Limpeza	242
Plano de revisão	243
Eliminação, sucata	247

LOCALIZAÇÃO DE AVARIAS

Incidentes durante a serragem	248
-------------------------------------	-----

ESPECIFICAÇÕES TÉCNICAS

Bateria	249
Fluido hidráulico e lubrificantes	249
Especificações técnicas	250
Emissões de ruído	252
RELÉS E FUSÍVEIS	
Relés e fusíveis - FS 3500 G	253
CERTIFICADO CE DE CONFORMIDADE	
Certificado CE de conformidade	254

APRESENTAÇÃO

Prezado cliente!

Muito obrigado por escolher um produto Husqvarna!

Esperamos que ficará satisfeito com a sua nova máquina e que ela o acompanhará durante muito tempo. A compra de qualquer dos nossos produtos dá-lhe acesso a ajuda profissional, incluindo reparações e assistência técnica. Se não tiver adquirido a sua máquina num dos nossos revendedores autorizados, pergunte onde fica a oficina especializada mais próxima.

Este manual tem um grande valor. Certifique-se de que este manual se encontra sempre à mão no local de trabalho. Seguindo o seu conteúdo (utilização, assistência técnica, manutenção, etc) aumentará consideravelmente a vida útil da máquina bem como o preço de venda em segunda mão da mesma. Se vender a sua máquina, entregue as instruções de utilização ao novo proprietário.

Mais de 300 anos de inovação

A Husqvarna, empresa baseada na Suécia, tem como base uma tradição que remonta a 1689, quando o rei sueco Karl XI mandou construir uma fábrica para fabricar mosquetes. Na época, estabeleceram-se as fundações para o desenvolvimento de capacidades relacionadas com a engenharia que se encontra por detrás de alguns dos produtos mais conhecidos do mundo, tais como armas de caça, bicicletas, motociclos, aparelhos domésticos, máquinas de costura e ferramentas para uso em exteriores.

A Husqvarna é a líder global em ferramentas motorizadas para uso em exteriores, tais como em silvicultura, manutenção de jardins e parques, cuidados da relva, bem como na área do equipamento de corte e ferramentas de diamante para a construção e a indústria de extracção e transformação de pedra.

Responsabilidade do proprietário

É da responsabilidade do proprietário/entidade empregadora que o operador tenha conhecimento suficiente sobre como utilizar a máquina em segurança. Os supervisores e os operadores devem ter lido e compreendido o Manual do Operador. Devem conhecer:

- As instruções de segurança da máquina.
- As diversas aplicações da máquina e as suas limitações.
- O modo como a máquina deve ser utilizada e mantida.

A legislação nacional poderá regular a utilização desta máquina. Informe-se da legislação aplicável no seu local de trabalho antes de utilizar esta máquina.

Ressalvas do fabricante

No seguimento da publicação deste manual, a Husqvarna poderá emitir informações adicionais para garantir uma operação segura deste produto. O proprietário tem o dever de se manter actualizado quanto aos métodos de operação mais seguros.

Husqvarna AB efectua o desenvolvimento contínuo dos seus produtos, reservando-se o direito de introduzir modificações referentes, entre outros, ao aspecto e forma dos mesmos sem aviso prévio.

Para obter informações e assistência ao cliente, contacte-nos através do nosso website: www.husqvarna.com ou do número 1-800-845-1312.

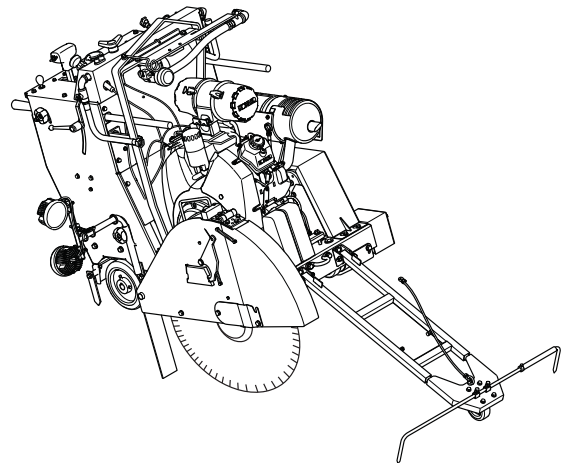
Design e características

Estas serras de pavimento portáteis foram concebidas para serem utilizadas com discos de diamante e apenas para cortes húmidos. São utilizadas para cortar betão fresco e endurecido em diferentes categorias de durezas e também para asfalto.

Os nossos valores, tais como a elevada performance, fiabilidade, tecnologia inovadora, soluções técnicas avançadas e o cuidado do ambiente, distinguem os produtos Husqvarna. Para garantir uma operação segura deste produto, o operador deverá ler atentamente este manual. Consulte o seu concessionário ou contacte a Husqvarna, caso necessite de informações adicionais.

Algumas das características únicas dos nossos produtos encontram-se descritas em baixo.

FS 3500 G



Serra

É resistente, ágil e de fácil utilização e manutenção.

Motor

Motor potente a gasolina arrefecido a ar com arranque elétrico e fácil de utilizar.

Transmissão de potência

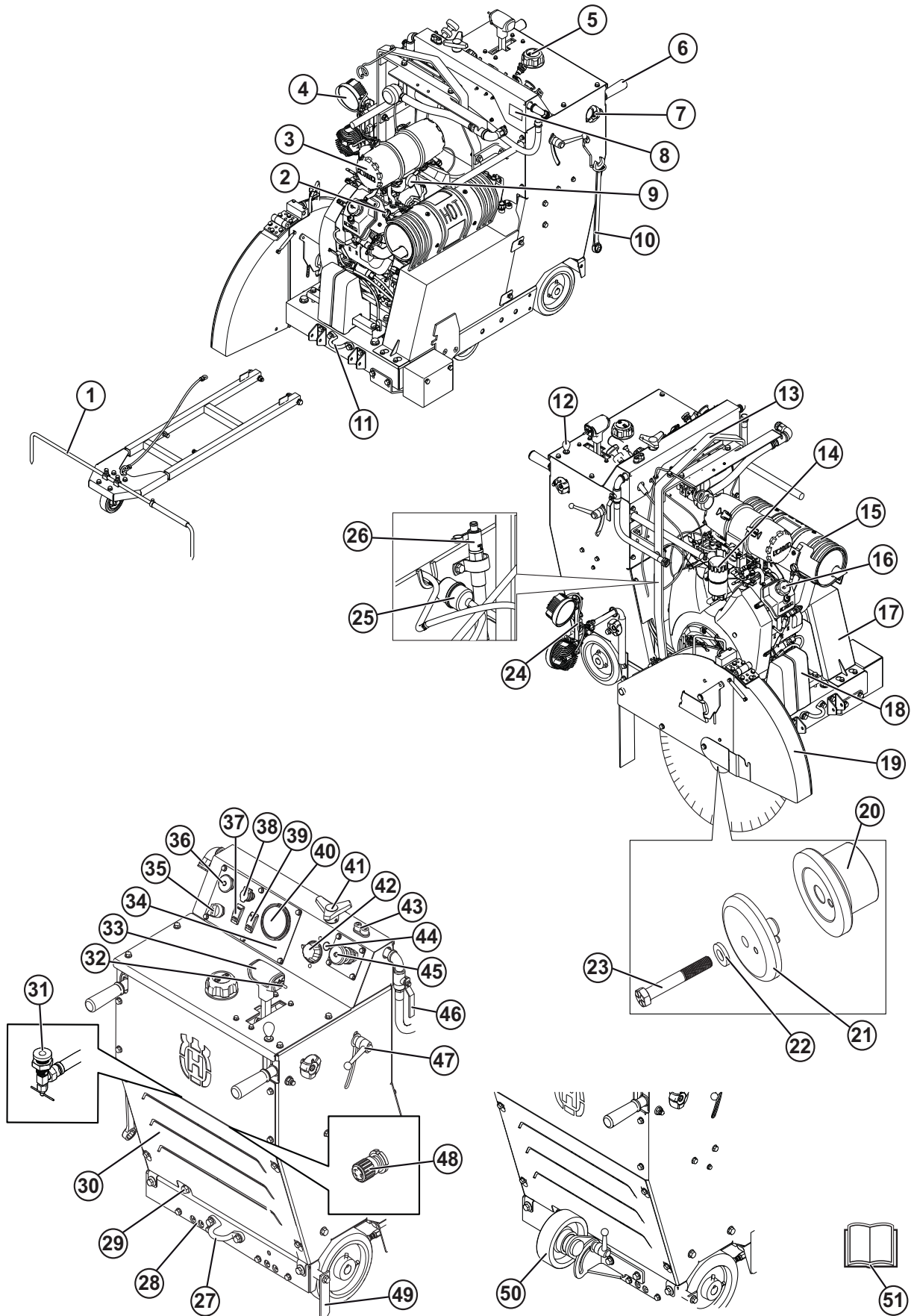
Transmissão de potência resistente e eficaz com tensão dinâmica da correia para uma transferência de potência estável e tempo de vida útil mais longo da correia.

Guia dianteira

O guia dianteiro tem um ajuste telescópico que fornece uma boa visibilidade e um armazenamento prático

APRESENTAÇÃO

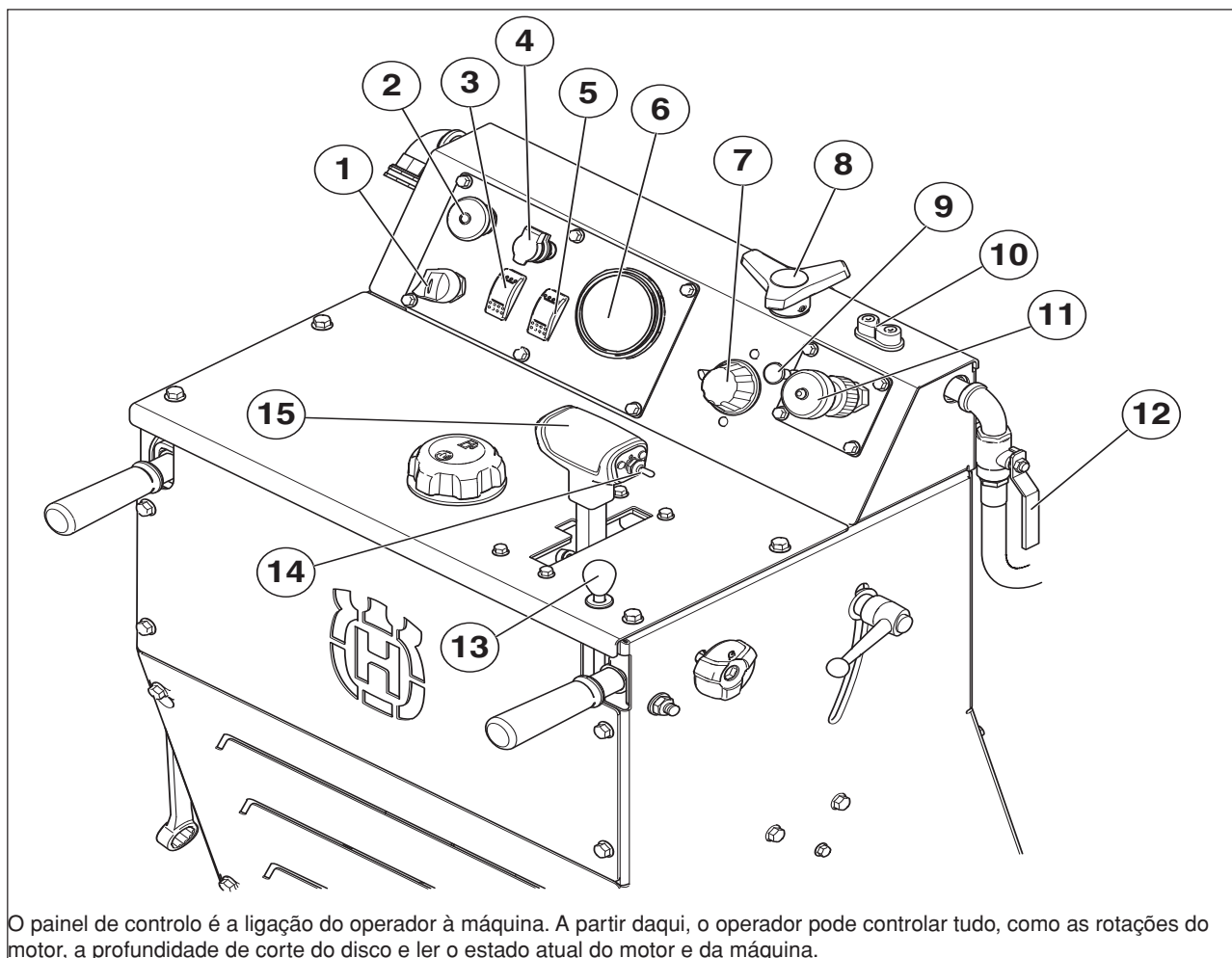
Componentes da serra de pavimento - FS 3500 G



APRESENTAÇÃO

- 1 Guia dianteira
- 2 Verificação do óleo do motor (vareta)
- 3 Filtro de ar
- 4 Iluminação de trabalho (acessório)
- 5 Abastecimento do depósito de combustível
- 6 Guiador
- 7 Manípulo de fixação para ajuste do comprimento da barra de direção.
- 8 Placa de tipo
- 9 Proteção do filtro
- 10 Chave do eixo do disco
- 11 Ressalto de fixação dianteiro
- 12 Alavanca do travão de estacionamento (acessório)
- 13 Argola de elevação
- 14 Filtro de óleo do motor
- 15 Silenciador
- 16 Enchimento com óleo de motor
- 17 Cobertura da correia de transmissão
- 18 Pesos (acessório)
- 19 Protecção dos discos
- 20 Flange da lâmina interior.
- 21 Prato de montagem exterior
- 22 Anilha flangeada
- 23 Parafuso do eixo da lâmina
- 24 Interruptor para iluminação
- 25 Filtro de combustível do motor
- 26 Mangueira de drenagem de óleo
- 27 Ressalto de fixação traseiro
- 28 Lubrificação de acesso fácil (acessório)
- 29 Ajuste do eixo traseiro
- 30 Cobertura de proteção traseira
- 31 Válvula de corte de combustível
- 32 Interruptor para levantar/descer o disco
- 33 Alavanca de controlo para a frente/para trás
- 34 Caixa de fusíveis e relés
- 35 Interruptor de arranque do motor
- 36 Paragem da máquina
- 37 Interruptor de segurança da água (acessório)
- 38 Tomada eléctrica 12V (acessório)
- 39 Interruptor da bomba de água
- 40 Tacómetro/contador de horas do motor
- 41 Paragem de profundidade do disco
- 42 Indicador de profundidade do disco
- 43 Clampcleat
- 44 Arranque a frio
- 45 Acelerador do motor
- 46 Válvula de água
- 47 Manípulo de fixação para ajuste da altura da barra de direção
- 48 Válvula de controlo do fluxo
- 49 Ponteiro traseiro - lado direito
- 50 Roda de transporte
- 51 Instruções para o uso

APRESENTAÇÃO



O painel de controlo é a ligação do operador à máquina. A partir daqui, o operador pode controlar tudo, como as rotações do motor, a profundidade de corte do disco e ler o estado atual do motor e da máquina.

Componentes do painel de controlo

- | | | | |
|---|--|----|--|
| 1 | Interruptor de arranque do motor | 8 | Paragem de profundidade do disco |
| 2 | Paragem da máquina | 9 | Arranque a frio |
| 3 | Interruptor de segurança da água (acessório) | 10 | Clampcleat |
| 4 | Tomada eléctrica 12V (acessório) | 11 | Acelerador do motor |
| 5 | Interruptor da bomba de água (acessório) | 12 | Válvula de água |
| 6 | Tacómetro/contador de horas do motor | 13 | Alavanca do travão de estacionamento (acessório) |
| 7 | Indicador de profundidade do disco | 14 | Interruptor para levantar/descer (disco) |
| | | 15 | Alavanca de controlo para a frente/para trás |

EQUIPAMENTO DE SEGURANÇA DA MÁQUINA

Noções gerais



ATENÇÃO! Nunca use uma máquina com peças de segurança defeituosas. Se a sua máquina não satisfizer a algum desses controlos, deverá ser enviada a uma oficina autorizada para reparação. O motor deve estar desligado e o interruptor de arranque do motor em posição de paragem.

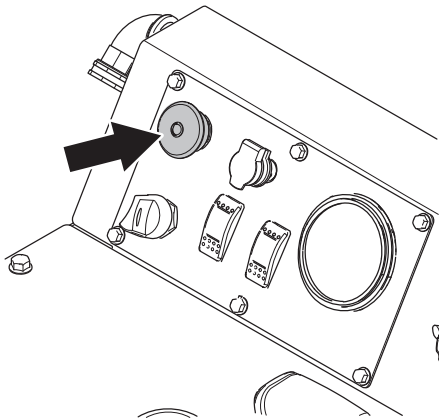


ATENÇÃO! O eixo da lâmina roda quando o motor arranca ou é iniciado.

Nesta secção esclarecem-se quais são as peças de segurança da máquina, que função desempenham e ainda como efectuar o controlo e a manutenção para se certificar da sua operacionalidade.

Paragem da máquina

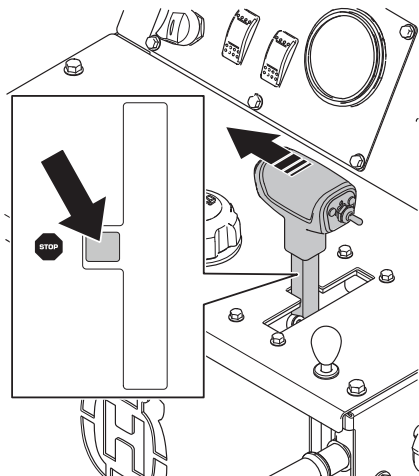
A paragem da máquina é utilizada para desligar rapidamente o motor e todas as funções elétricas, com exceção das luzes.



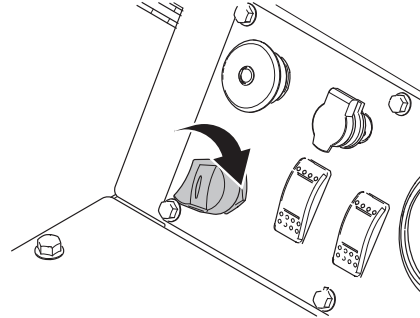
ATENÇÃO! Não a utilize para paragens comuns.

Testar a paragem da máquina

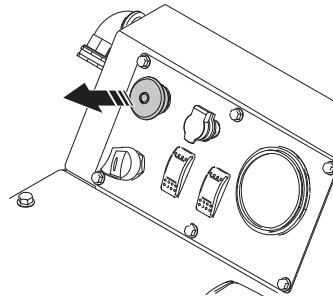
Coloque a alavanca de controlo para a frente/para trás na posição de paragem. O motor não arranca se a alavanca não estiver na posição de paragem.



- Para o arranque do motor, rode o interruptor de arranque do motor para a posição de ignição ligada. Siga o procedimento descrito no manual do motor.



- Accione o botão de paragem da máquina e verifique se o motor pára. Este procedimento coloca a máquina em modo de segurança.
- Restabeleça a paragem da máquina puxando o manipulador para fora.



Protecção do disco



ATENÇÃO! Verifique sempre se a protecção do disco está correctamente montada antes de pôr a máquina a funcionar.

Esta protecção está montada sobre a lâmina e destina-se a impedir que pedaços da lâmina ou de material cortado sejam projectados contra o utilizador da máquina.

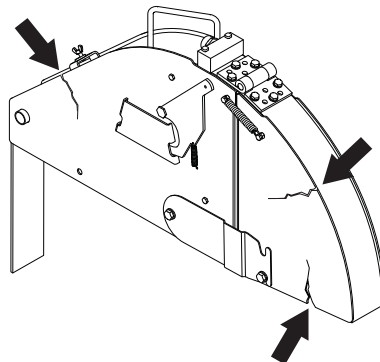
Esta ação também protege o utilizador do disco e arrefece-a com água durante o corte húmido.

Verificação da protecção da lâmina



ATENÇÃO! Verifique sempre se a protecção está correctamente montada antes de pôr a máquina a funcionar. Verifique também se a lâmina está correctamente montada e intacta. Uma lâmina danificada pode causar ferimentos.

- Verifique a protecção da lâmina quanto a danos e rachaduras. Substitua a protecção da lâmina se esta tiver sido sujeita a golpes ou apresentar rachaduras.



EQUIPAMENTO DE SEGURANÇA DA MÁQUINA

Coberturas e proteções

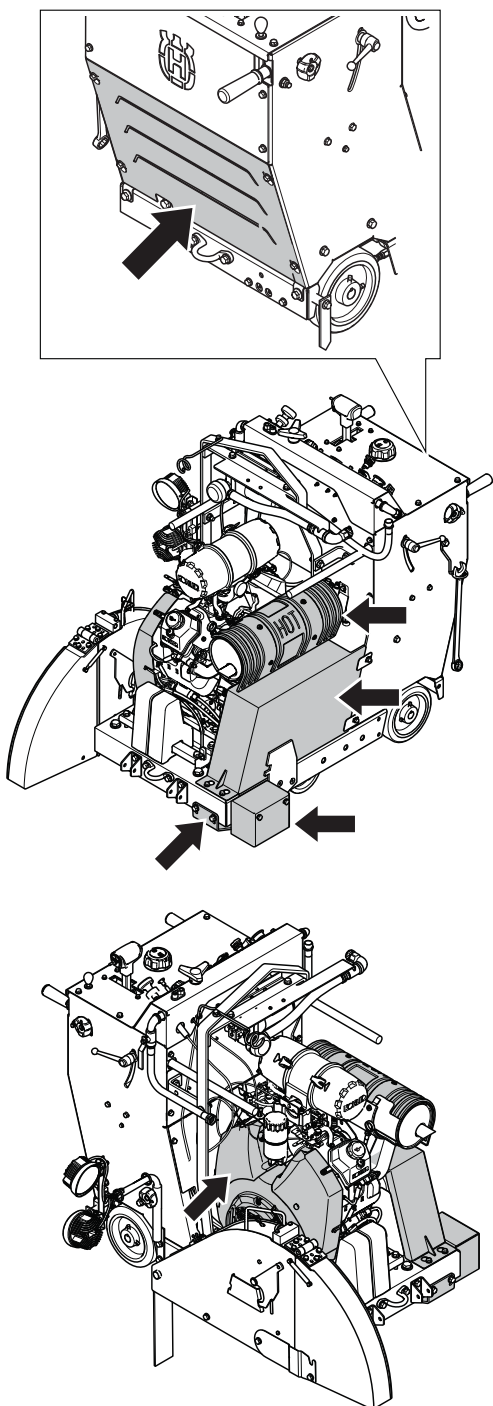


ATENÇÃO! Verifique sempre se as coberturas de proteção estão corretamente instaladas antes de ligar a máquina.

As coberturas de proteção existentes na máquina protegem o utilizador do movimento da ventoinha de arrefecimento, das correias de transmissão e das superfícies quentes.

Verificação das coberturas de proteção

- Verificar se existem rachas ou outro tipo de danos nas coberturas de protecção. Substituir as coberturas danificadas.



Silenciador



ATENÇÃO! Nunca use a máquina sem silenciador ou com um silenciador defeituoso. Um silenciador defeituoso pode aumentar consideravelmente o nível de ruído e o perigo de incêndio. Tenha à mão utensílios para extinção de incêndios.

O silenciador fica muito quente tanto durante o funcionamento como após se desligar a máquina. Isto aplica-se também quando a motosserra na marcha em vazio. Esteja consciente do perigo de incêndio, especialmente ao manusear substâncias inflamáveis e/ou gases.

O silenciador é construído para propiciar o mais baixo nível de ruído possível bem como desviar os gases de escape do utilizador.

Inspeção do silenciador

- Verifique regularmente se o silenciador está completo e devidamente fixado.

DISCOS DE CORTE

Noções gerais



ATENÇÃO! O disco de corte pode partir-se e causar ferimentos graves ao usuário.

O fabricante dos discos de corte fornece avisos e recomendações referentes à utilização e tratamento adequado dos mesmos. Estes avisos são fornecidos juntamente com o disco de corte.

O disco de corte deverá ser verificado antes de ser instalado na serra e frequentemente durante a sua utilização. Verifique se existem fendas, segmentos perdidos (discos de diamante) ou peças partidas. Não utilize um disco de corte danificado.

- Os discos de corte de qualidade mais alta são geralmente os mais económicos. Os discos de corte de qualidade inferior têm geralmente menos capacidade de corte e duram menos, o que resulta num custo mais alto em relação à quantidade de material desbastado. Veja instruções na secção Montagem de discos de corte.



ATENÇÃO! Nunca use a lâmina para outros materiais que não aquele a que se destina. Nunca use discos de corte marcadas com uma velocidade de rotação inferior à da máquina. Não utilize discos de serra circulares ou discos com ponta de carboneto.

Instabilidade do disco

- O disco pode oscilar e rebentar se for utilizado um índice de velocidade rotacional excessivo.
- Um índice de velocidade rotacional inferior pode parar a oscilação. Verifique se a configuração e/ou a engrenagem da transmissão do disco está correta. Caso contrário, substitua o disco.

Discos de diamante

Noções gerais

A lâmina continua a rodar até a um minuto depois do motor ter parado. Nunca pare o disco com as mãos. Podem ocorrer ferimentos pessoais.

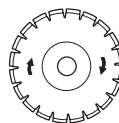


ATENÇÃO! Os discos de diamante podem ficar muito quentes durante a utilização. Uma lâmina sobreaquecida deve-se à utilização inadequada, e pode deformar-se, resultando em danos e em ferimentos.

Cortar metal gera faíscas que podem iniciar um incêndio. Não use a máquina perto de substâncias ou gases inflamáveis.

- Os discos de diamante consistem de uma estrutura de aço com segmentos que contêm diamantes industriais.
- Os discos de diamante proporcionam um custo mais baixo por operação de corte, menos substituições de disco e uma profundidade de corte constante.

- Quando usar um disco de diamante, verifique se roda na direcção indicada pela seta no disco.



Afição de discos de diamante

- Use sempre um disco de diamante afiado.
- Os discos de diamante podem ficar rombos se for usada a pressão de aplicação errada ou se forem usados no corte de determinados materiais, tais como betão fortemente armado. Trabalhar com uma lâmina de diamante romba provoca sobreaquecimento, que pode resultar na libertação de segmentos de diamante.
- Afie o disco, diminuindo a profundidade de corte e a velocidade do motor durante um curto período de tempo. Este procedimento expõe diamantes novos e afiados no disco.

Discos de diamante e arrefecimento

- A fricção originada durante o corte faz com que a lâmina de diamante aqueça. Caso não seja evitado, o aquecimento excessivo da lâmina pode provocar a perda da tensão da lâmina ou a quebra do núcleo. Por conseguinte, o disco de diamante tem de ser arrefecido com água.

Discos de diamante para corte húmido

A fricção originada durante o corte faz com que a lâmina de diamante aqueça. Caso não seja evitado, o aquecimento excessivo da lâmina pode provocar a perda da tensão da lâmina ou a quebra do núcleo.

Deixe que o disco arrefeça antes de lhe tocar.

- Durante a serragem, as lâminas de diamante de corte húmido têm de ser utilizadas com água, de forma a manter o núcleo da lâmina e os segmentos frescos. As lâminas de corte húmido NÃO devem ser utilizadas a seco.
- A utilização de lâminas de corte húmido sem água pode provocar uma acumulação excessiva de calor, o que origina um desempenho fraco, danos graves na lâmina e coloca a segurança em risco.
- O arrefecimento a água arrefece o disco e aumenta a respetiva vida útil, reduzindo simultaneamente a formação de poeira.
- Utilize o corte húmido para betão novo e antigo e para asfalto.

Tamanho do disco, mm/polegadas	Profundidade de corte máxima, mm/polegadas
500/20	192/7.72
650/26	255/10.25
750/30	305/12.25

ATENÇÃO! Utilize sempre o tamanho do flange do disco especificado para o tamanho do disco atual. Nunca utilize flanges danificados.

Transporte e armazenagem

- Armazene os discos de corte num local seguro para que não possam ser danificadas.
- Conserve o disco de corte em local seco e não sujeito a geadas.
- Examine os discos novos com relação a defeitos causados por transporte ou armazenagem.

MANEJO DE COMBUSTÍVEL

Noções gerais



ATENÇÃO! A utilização dum motor em ambiente fechado ou mal ventilado pode causar a morte por asfixia ou envenenamento por gás carbónico.

O combustível e os vapores do combustível são muito inflamáveis e podem causar graves lesões em caso de inalação ou contacto com a pele. Seja portanto cauteloso ao manusear combustível e providencie de modo a haver boa ventilação durante o manuseamento de combustível.

Os gases de escape do motor são quentes e podem conter faíscas causadoras de incêndios. Portanto, nunca arranque com a máquina em interiores ou nas proximidades de material inflamável!

Não fume nem ponha objectos quentes na proximidade de combustível.

Combustível

Gasolina

- Utilize gasolina limpa e fresca sem chumbo.
- O índice de octanas mais baixo recomendado é 87 [(RON+MON)/2]. No caso de o motor funcionar com gasolina com um índice de octanas inferior a 87, pode ocorrer batimento do motor. Isso pode provocar um aumento de temperatura no motor e uma maior sobrecarga nos rolamentos, que podem causar graves avarias no motor.

Óleo de motor

Estacione sempre a máquina numa superfície nivelada antes de verificar o óleo. Mantenha a serra nivelada, sem disco, ao verificar o nível de óleo.

- Verifique o nível do óleo antes de pôr a máquina a funcionar. Um nível insuficiente de óleo pode causar graves danos no motor. Consultar as instruções na secção 'Manutenção e assistência'.
- Não use nunca óleo para motores de dois tempos. Utilize apenas óleo do motor com baixo teor de cinzas, conforme especificado na secção 'Dados técnicos'.

ATENÇÃO! Certifique-se de que o motor tem sempre óleo suficiente.

Abastecimento



ATENÇÃO! Pare o motor e deixe arrefecer alguns minutos antes de abastecer.

Abra a tampa do depósito devagar, ao abastecer, para dar saída lenta aos gases se houver um excesso de pressão.

Limpe a zona em torno da tampa do depósito de combustível.

Aperte bem a tampa do depósito após abastecer. Caso a tampa não seja devidamente apertada, a vibração poderá fazer com que a tampa se solte e saia combustível do depósito, criando um risco de incêndio.

Afaste a máquina pelo menos 3 metros do lugar onde abasteceu, antes de arrancar.

Nunca arranque com a máquina:

- Se derramou combustível ou óleo sobre a máquina. Remova todo o líquido derramado e deixe que os restos de combustível se evaporem.
- Se derramou combustível sobre si próprio ou na sua roupa, troque de roupa. Lave as partes do corpo que estiveram em contacto com o combustível. Lave com água e sabonete.
- Se a máquina tiver fuga de combustível. Controle regularmente se há fugas na tampa do depósito e nos tubos de combustível.

Transporte e armazenagem

- Guarde e transporte a máquina e o combustível de modo tal que não haja o risco de possíveis fugas e vapores entrarem em contacto com fontes de faíscas ou chama aberta, tais como máquinas e motores eléctricos, contactos/interruptores eléctricos ou mesmo caldeiras.
- Ao armazenar e transportar combustível, utilize recipiente especialmente destinado e aprovado para esse fim.

MANUSEIO DAS BATERIAS

Noções gerais



ATENÇÃO! Baterias de chumbo ou ácido emitem gases explosivos. Evitar faíscas, fogo ou fumar próximo de baterias.

- Conectar ou desconectar a bateria pode originar faíscas e curto-circuitos.
- A ocorrência de uma faísca ou chama pode provocar a explosão da bateria de chumbo-ácido.
- Nunca ligue ambos os terminais da bateria ao mesmo tempo com uma chave ou com outro tipo de metal, uma vez que isso pode provocar um curto-circuito na bateria.
- Manuseie sempre a bateria com cuidado.
- Baterias não usadas devem ficar afastadas de objectos metálicos tais como pregos, moedas, jóias.
- Remova pulseiras de metal, relógios, anéis, etc., antes de conectar a bateria. Calce luvas e óculos de proteção ou uma máscara de poeira quando trabalhar com a bateria.
- A bateria original não necessita de manutenção. Não tente abrir ou remover tampas ou coberturas. Geralmente, não é necessário verificar ou ajustar o nível de electrólito.
- Substituir somente por uma bateria similar, sem manutenção. Veja a informação na secção de Especificações técnicas.
- Durante a soldadura na máquina, desligue sempre ambos os cabos da bateria e guarde os cabos num local afastado dos polos da bateria.
- Ligue sempre o polo negativo do equipamento de soldadura o mais próximo possível do local de soldadura.

ATENÇÃO! Não exceda o tamanho físico máximo da bateria. Uma bateria demasiado grande pode danificar ou ser danificada por peças adjacentes.

Quando manusear a bateria tenha em consideração as questões ambientais. Siga os requisitos de reciclagem local.

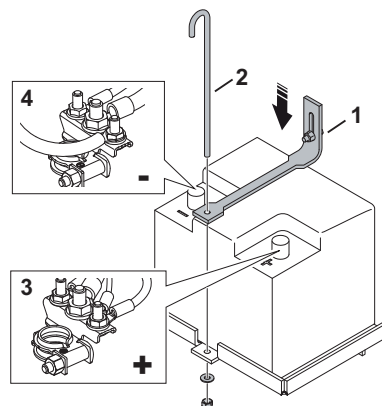
- Se a bateria tiver dificuldade em manter a tensão durante longos períodos de tempo quando a carga não é aplicada, substitua a bateria. Para obter mais informações sobre as baterias recomendadas, consulte a secção 'Dados técnicos'
- Carregue regularmente a bateria.
- Mantenha os terminais da bateria e os seus acessórios limpos.

Conectar a bateria

Observe! Instale e remova os cabos da bateria apenas na sequência descrita nesta secção.

- 1 Instale o suporte da bateria.
- 2 Fixe a bateria com o pino.
- 3 Ligue sempre o terminal positivo em primeiro lugar.

- 4 Ligue o terminal negativo.



Desligar a bateria

- Remover os cabos na ordem contrária.

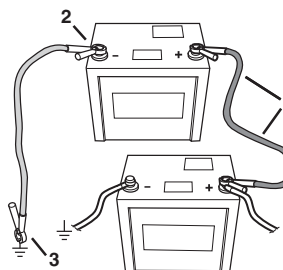
Ligar o motor com a bateria fraca

Caso a bateria esteja demasiado fraca para ligar o motor, deve recarregá-la.

Se utilizar cabos de bateria para ignição em caso de emergência, deverá proceder da seguinte forma:

Ligar os cabos de bateria

- 1 Ligar cada extremidade do cabo vermelho ao pólo POSITIVO (+) de cada bateria, tendo cuidado para não causar um curto-circuito contra o chassis com uma das extremidades.
- 2 Ligar umas das extremidades do cabo preto ao pólo NEGATIVO (-) da bateria carregada.
- 3 Ligue a outra extremidade do cabo preto a uma LIGAÇÃO À TERRA DO BLOCO DO MOTOR em boas condições num local afastado do depósito de combustível e da bateria.



Remover os cabos na ordem contrária.

- O cabo PRETO é removido do bloco do motor e, em seguida, a bateria totalmente carregada.
- Remover por último o cabo VERMELHO das duas baterias.

Armazenagem

- Guarde a bateria arrefecida numa zona seca.


Equipamento de protecção

Noções gerais

Quando utilizar a máquina, certifique-se de que existe sempre outra pessoa nas proximidades à qual pode pedir ajuda em caso de acidente.

Equipamento de protecção pessoal

Em quaisquer circunstâncias de utilização da máquina deve ser utilizado equipamento de protecção pessoal aprovado. O equipamento de protecção pessoal não elimina o risco de lesão mas reduz os seus efeitos em caso de acidente. Consulte o seu concessionário na escolha do equipamento.




ATENÇÃO! A utilização de produtos como cortadoras, retificadoras, brocas, serras de abrasão ou formação de materiais pode criar pó e vapores que podem conter produtos químicos perigosos. Verifique a natureza do material que vai processar e utilize uma proteção respiratória adequada.

A exposição prolongada ao ruído pode provocar danos auditivos permanentes. Utilize sempre protectores acústicos aprovados. Quando estiver a utilizar protectores acústicos, esteja atento a sinais de aviso ou gritos. Retire sempre os seus protectores acústicos assim que o motor parar.

Use sempre:

- Proteção para a cabeça aprovada
- Protectores acústicos
- Protecção ocular aprovada. Mesmo que se use viseira, devem usar-se óculos de protecção aprovados. Consideram-se óculos de protecção aprovados, os que estejam conformes com a norma ANSI Z87.1 nos EUA ou EN 166 nos países da UE. A viseira deve estar conforme com a norma EN 1731.
- Protecção respiratória aprovada
- Luvas fortes e de agarre seguro.
- Vestuário justo, forte e confortável que permita total liberdade de movimentos. O corte produz faíscas que podem incendiar o vestuário. A Husqvarna recomenda a utilização de algodão com tratamento antifogo ou ganga grossa. Não utilize vestuário de materiais como nylon, poliéster ou seda artificial. Em caso de incêndio, estes materiais podem derreter e colar-se à pele. Não utilize calções
- Botas com biqueiras de aço e solas antideslizantes.

Outro equipamento de protecção



CUIDADO! Podem originar-se faíscas que podem causar um incêndio, ao trabalhar com a máquina. Tenha sempre à mão utensílios para extinção de incêndios.

- Extintor de incêndios
- Os primeiros socorros devem sempre estar à mão.

Instruções gerais de segurança

Esta secção descreve as regras básicas de segurança para o trabalho com a máquina. A informação apresentada nunca substitui os conhecimentos, capacidades e a experiência de um profissional.


- Leia as instruções para o uso com toda a atenção e compreenda o seu conteúdo antes de fazer uso da máquina. Recomenda-se que os operadores que utilizam a máquina pela primeira vez, recebam formação prática antes de utilizar a máquina.
- Esteja consciente de que é você, o operador, o responsável por evitar expor pessoas e bens a situações que possam representar perigo de danos pessoais ou materiais.
- A máquina deve ser mantida limpa. As sinalizações e os autocolantes deverão estar totalmente legíveis.

Assistência

Para a manutenção da sua máquina, recorra a um técnico de reparações qualificado, utilizando apenas peças de substituição idênticas. Desta forma, está a garantir a manutenção da segurança da máquina.

Use sempre o seu bom senso

Não é possível cobrir todas as situações possíveis que poderá enfrentar. Actue sempre com precaução e use de senso comum. Caso se encontre numa situação em que se sinta inseguro, interrompa o trabalho e consulte um especialista. Contacte o seu revendedor, a sua oficina de serviço ou um utilizador experiente. Evite toda a utilização para a qual não se sinta suficientemente habilitado!



ATENÇÃO! A máquina, se for usada de forma indevida ou incorrecta, pode ser perigosa, causando sérios ferimentos ou mesmo a morte do utente ou outras pessoas.

Nunca deixar crianças ou outras pessoas utilizar a máquina ou efectuar a manutenção que não estejam devidamente formadas no seu manuseamento.

Nunca permita que outra pessoa utilize a máquina sem estar certo de que a mesma entendeu o conteúdo do manual de instruções.

Nunca use a máquina quando estiver cansado, tiver bebido álcool ou tomado remédios que possam afectar a sua vista, a sua capacidade de discernimento ou o seu controlo físico.

OPERAÇÃO



ATENÇÃO! Modificações e/ou acessórios não autorizados podem provocar sérias lesões ou perigo de vida para o utilizador ou outros. Sob nenhuma circunstância é permitido modificar a configuração original da máquina sem a autorização expressa do fabricante.

Não modifique nunca esta máquina de forma a deixar de corresponder à versão original e não a use caso pareça ter sido modificada por outros.

Nunca use uma máquina defeituosa. Efectue as verificações de segurança e cumpra as instruções de manutenção e assistência técnica contidas neste manual. Alguns serviços de manutenção e de assistência técnica deverão ser executados por especialistas qualificados. Consulte as instruções na secção Manutenção.

Devem usar-se sempre acessórios originais.



ATENÇÃO! Esta máquina produz um campo electromagnético durante o funcionamento. Em determinadas circunstâncias, este campo pode interferir com o funcionamento de implantes médicos activos ou passivos. Para reduzir o risco de lesões graves ou mortais, recomendamos que portadores de dispositivos implantados consultem o seu médico e o fabricante do implante antes de utilizar a máquina.

Segurança no local de trabalho



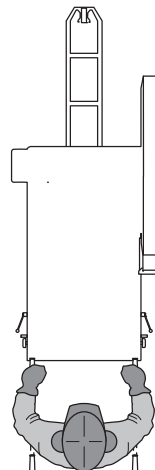
ATENÇÃO! Você é responsável pelo afastamento de animais e espectadores do local de trabalho. Não inicie o corte antes de a área de trabalho estar livre.

- Observe a zona de modo a assegurar-se de que nada irá afectar o seu controlo sobre a máquina.
- Certifique-se de que nenhuma pessoa ou objecto entra em contacto com o equipamento de corte nem é atingido por peças projectadas pela lâmina.
- Não instale uma lâmina na máquina até que esta tenha sido transportada para a zona de corte.
- Evite o uso em condições meteorológicas desfavoráveis. Por exemplo, em denso nevoeiro, chuva e vento fortes, frio intenso, etc. Trabalhar com mau tempo é cansativo e pode levar a situações perigosas, tais como ir para terreno escorregadio.
- Nunca inicie o trabalho com a máquina antes de certificar-se que o local de trabalho está desimpedido e que tenha um apoio seguro para os seus pés. Observe se há eventuais obstáculos caso necessite de deslocar-se inesperadamente. Assegure-se que não possa cair nenhum material, causando danos, enquanto estiver a trabalhar com a máquina. Tenha muito cuidado ao trabalhar em terreno inclinado.

- Assegure-se de que a área de trabalho está suficientemente iluminada, para que o ambiente de trabalho seja seguro.
- Assegure-se de que não existem canalizações ou cabos eléctricos na área de trabalho ou no interior do material a ser cortado.
- A utilização dum motor em ambiente fechado ou mal ventilado pode causar a morte por asfixia ou envenenamento por gás carbónico.

Técnicas básicas de trabalho

- Esta máquina está concebida e destinada para o corte de betão fresco e endurecido com classes diferentes de dureza e para o corte de asfalto.
- Serre sempre de forma a permitir um acesso fácil à paragem da máquina.
- Verifique se não existem ferramentas ou outros objectos caídos na máquina.
- Verifique sempre se a protecção do disco está correctamente montada antes de pôr a máquina a funcionar. Nunca corte sem utilizar a protecção da l&
- Antes de serrar, todos os cortes que vão ser executados deverão ser marcados nitidamente e planeados de forma a poderem ser efectuados sem perigo para pessoas ou para a máquina.
- Não deverá, em circunstância alguma, proceder a rectificações utilizando o lado do disco. É extremamente provável que o mesmo se danifique ou se quebre, podendo até provocar sérios danos. Use somente a parte cortante.
- Não permaneça atrás ou à frente do percurso do disco enquanto o motor estiver a trabalhar.
- Não deixe a máquina sem supervisão com o motor a trabalhar.
- Nunca entorte, bloqueie as cunhas ou rode o disco durante o corte.
- Quando utilizar a máquina, certifique-se de que existe sempre outra pessoa nas proximidades à qual pode pedir ajuda em caso de acidente.
- Nunca permaneça atrás ou à frente do percurso do disco enquanto o motor estiver a trabalhar. A posição do operador localiza-se entre os dois guiaadores.



OPERAÇÃO

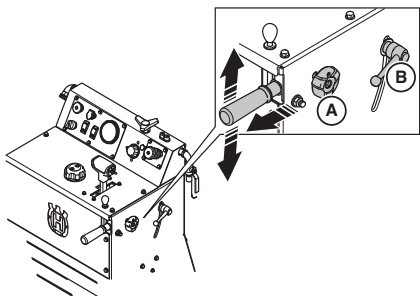
Posição do guiador

CUIDADO! Nunca utilize os guidores para levantar a serra.

Utilize os guidores para controlar a serra.

A posição das barras de direção pode ser ajustada em altura e em comprimento.

- Desaperte o manípulo de fixação **A** para ajustar o comprimento. Posicione o guiador no comprimento de trabalho mais confortável. Aperte o botão de bloqueio.
- Rode o manípulo de fixação de ajuste do punho **B** para a esquerda para desbloquear e reposicionar a barra de direção. Rode para a direita para bloquear a barra de direção na respetiva posição. Regule o punho para a posição de trabalho mais confortável. Aperte o manípulo de fixação.



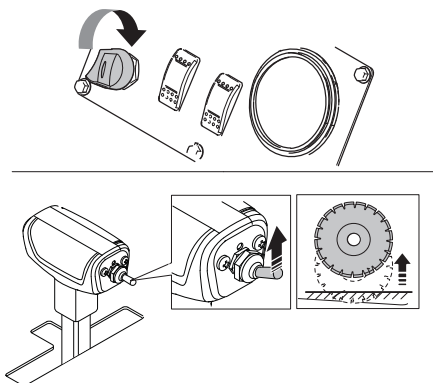
Deslocar a máquina

Antes de proceder ao deslocamento da máquina, leia atentamente a secção 'Arranque e paragem'.

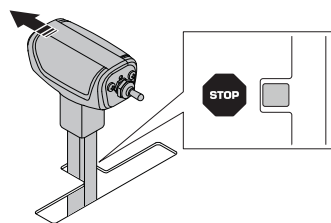
Deslocar a máquina com o motor desligado

- Rode o interruptor de arranque do motor para a posição de funcionamento.

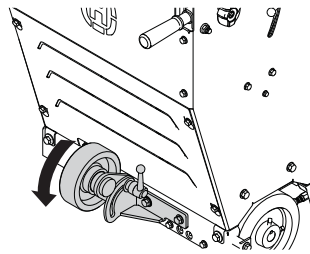
Levante a serra, premindo para levantar o interruptor para levantar/descer na alavanca de controlo para a frente/para trás até o disco (se instalado) limpar a superfície do pavimento.



- Coloque a alavanca de controlo para a frente/para trás na posição de paragem/neutra.



- Rode o manípulo de fixação para a esquerda para desbloquear e voltar a colocar a roda livre no modo de transporte. Aperte o manípulo de fixação.



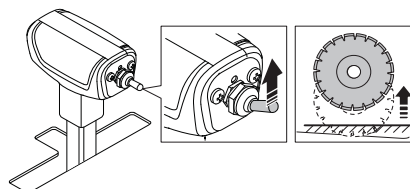
- Levante a serra até as duas rodas traseiras deixarem de tocar na superfície. A serra pode agora ser deslocada, posicionando-se atrás dela e empurrando-a (enquanto segura os guidores).



ATENÇÃO! Não tente empurrar a serra com a roda de transporte ativada numa inclinação (ou encosta). O operador da serra pode perder o controlo da serra e provocar ferimentos a si próprio ou a outras pessoas que se encontrem na mesma área.

Deslocar a serra com o motor ligado

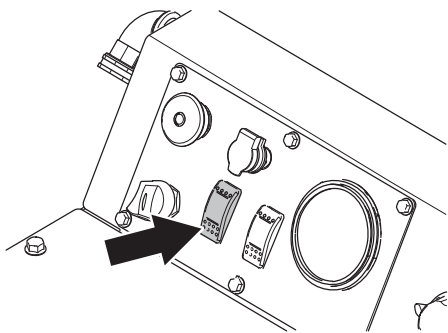
- Levante a serra, premindo para levantar o interruptor para levantar/descer na alavanca de controlo para a frente/para trás até o disco (se instalado) limpar a superfície do pavimento.



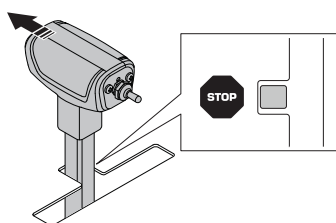
ATENÇÃO! Nunca transporte a máquina fora da área de corte com o motor ligado e com uma lâmina instalada.

OPERAÇÃO

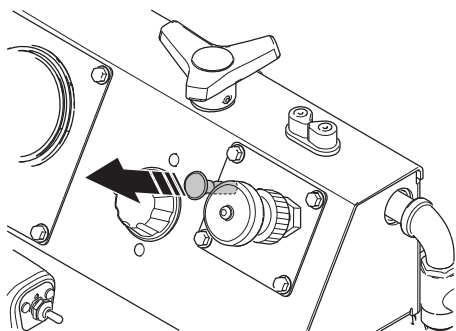
- Coloque o interruptor de segurança da água na posição desligada.



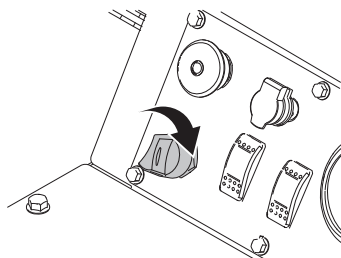
- Coloque a alavanca de controlo para a frente/para trás na posição de paragem/neutra. O motor não arranca se a alavanca não estiver na posição de paragem/neutra.



- Puxe a estrangulação do motor.

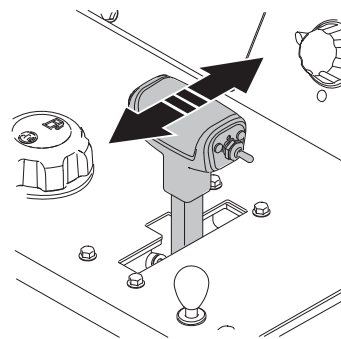


- Rode o interruptor de arranque do motor para a posição de arranque do motor até que o motor arranque e, em seguida, solte o interruptor. O interruptor regressa automaticamente à posição de ignição ligada. Se o motor não arrancar, repita os passos seguintes.



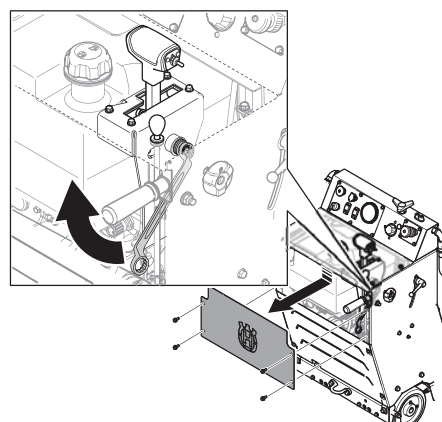
- Empurre a alavanca de controlo para a frente/para trás para que a serra se desloque para a frente ou puxe a alavanca para obter o movimento inverso da serra.

Quanto mais empurrar a alavanca maior será a velocidade. Para mais informações, ver a secção de "Especificações Técnicas".



ATENÇÃO! Não coloque a transmissão em posição neutra, enquanto a máquina estiver estacionada numa inclinação ou encosta. O operador irá perder o controlo e podem ocorrer ferimentos ou danos.

Ajuste a resistência na alavanca de controlo para a frente/para trás com a porca na parte lateral da alavanca.



Montagem da lâmina



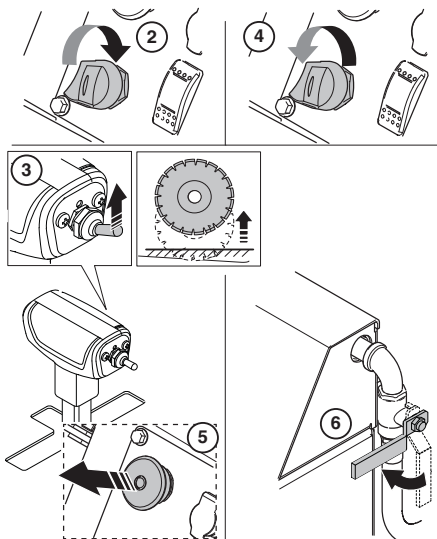
ATENÇÃO! Configure sempre o interruptor de arranque do motor para a posição desligada antes de instalar o disco.

ATENÇÃO! Verifique a direcção de rotação do disco. A seta no disco e protecção do disco indica o sentido de rotação.

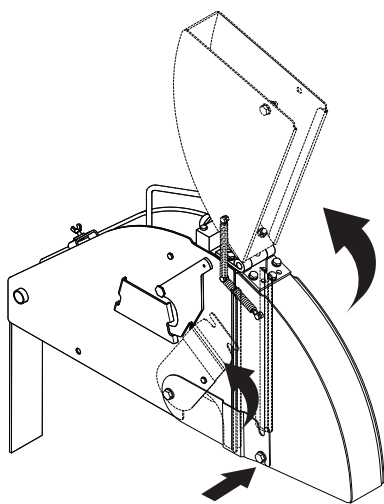
- 1 Transporte a máquina para dentro da área de corte e verifique a área envolvente de acordo com as informações disponibilizadas na secção Segurança da área de corte.
- 2 Configure o interruptor de arranque do motor para a posição de ignição ligada.
- 3 Levante a serra para uma posição elevada utilizando o interruptor para levantar/descer na alavanca de controlo para a frente/para trás.
- 4 Coloque o interruptor de arranque do motor na posição desligada.

OPERAÇÃO

- 5 Prima o interruptor de paragem da máquina no painel de controlo.
- 6 Desligue a válvula de água.



- Desaperte o parafuso dianteiro da proteção do disco e levante o trinco da proteção do disco.
- Levante a proteção da lâmina dianteira.

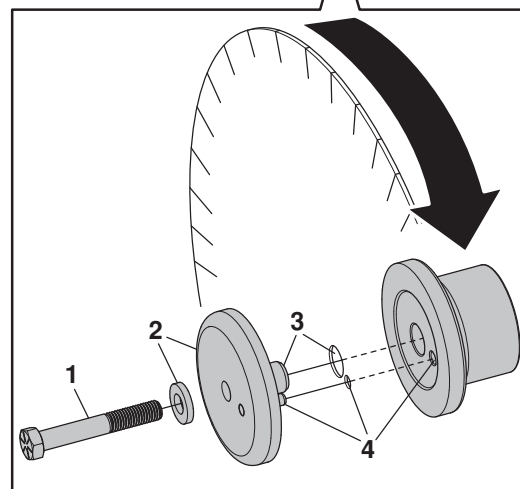
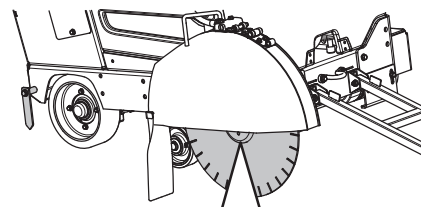


ATENÇÃO! Verifique se o disco, os flanges do disco e a haste do flange do disco estão danificados. Limpe as superfícies de contacto do disco e os flanges do disco. Certifique-se de que o disco e os flanges estão limpos e isentos de sujidade e resíduos antes de montar o disco na máquina.

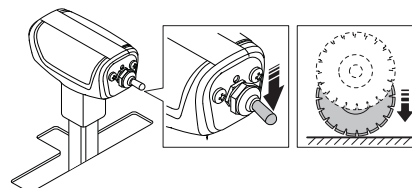
O parafuso do eixo do disco do lado direito da serra tem roscas do lado esquerdo e o parafuso do eixo do disco do lado esquerdo da serra tem roscas do lado direito. Substitua o parafuso do eixo do disco e a arruela plana se estiverem desgastados ou danificados.

- 1 Desaperte o parafuso do eixo da lâmina que é utilizado para fixar a lâmina entre o flange interior e exterior.

- 2 Remova o flange exterior e a arruela plana.
 - 3 Coloque uma lâmina de diamante na haste do flange exterior.
 - 4 Instale o flange exterior com o disco pré-instalado no flange interior, certificando-se de que o pino de bloqueio passa através do disco de diamante para o flange interior. Utilize sempre a arruela plana com o parafuso do eixo da lâmina. Rode o flange exterior e a lâmina no sentido oposto à direção de rotação da lâmina para eliminar a folga.
- Instale e aperte o parafuso do eixo da lâmina e a arruela plana utilizando a chave do eixo da lâmina enquanto segura firmemente na lâmina.



Baixe a serra, puxando para baixo o interruptor para levantar/descer na alavanca de controlo para a frente/para trás, até que o disco entre em contacto com a superfície a cortar.

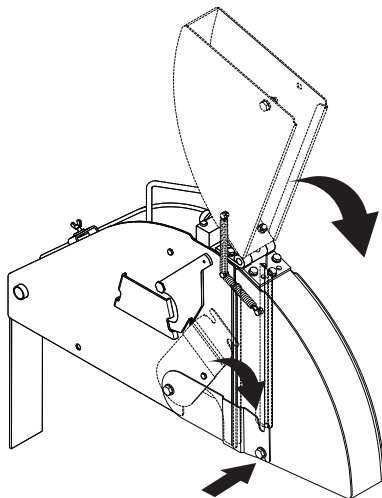


CUIDADO! Este contacto deve ser suave de forma a evitar danos no disco. Utilize o manípulo de controlo da velocidade de descida da serra para abrandar a velocidade de descida. Nunca permita que o peso dianteiro da máquina seja suportado pelo disco, uma vez que isso danifica o mesmo.

- Aperte com firmeza o parafuso do eixo do disco com a chave do eixo do disco. A resistência entre o disco de diamante e o solo ajuda a atingir um aperto adequado e final.

OPERAÇÃO

- Baixe a parte dianteira da proteção do disco e posicione o trinco da proteção do disco no parafuso dianteiro da proteção do disco. Aperte o parafuso dianteiro da proteção do disco.



ATENÇÃO! Não utilize esta serra sem o trinco engatado e o parafuso instalado. Não utilize em caso de danos.

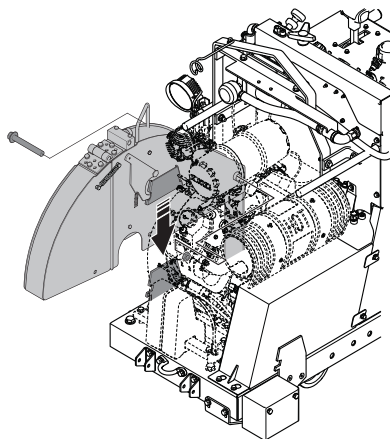
- Verifique o funcionamento da máquina e certifique-se de que não existem ruídos invulgares. Os ruídos invulgares são um indício de que a lâmina foi montada de forma incorrecta.

Instale a proteção do disco

As proteções do disco deslizantes são fixas com um bloqueio da proteção do disco que encaixa a metade traseira da proteção do disco.

Não utilize esta serra sem o bloqueio engatado. Inspeccione as proteções do disco e os bloqueios com frequência. Não utilize em caso de danos.

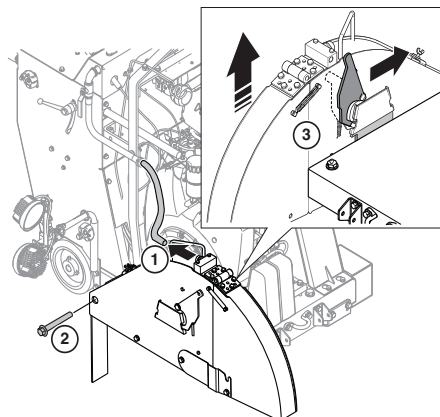
Baixe a proteção e coloque-a na pá de suporte e utilize uma força moderada ao premir para baixo a proteção do disco até o bloqueio encaixar.



Remova a proteção do disco

- 1 Desligue a mangueira de água da protecção da lâmina.
- 2 Remova o parafuso que suporta a proteção do disco.

- 3 Desloque o bloqueio da proteção do disco para a frente até que este pare e destranque. Levante a proteção do disco com o seu guiador fora da pá de suporte.



Profundidade de corte do disco

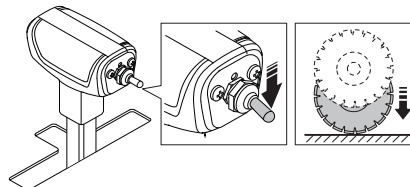
Esta serra está equipada com um Indicador de profundidade do disco que indica a profundidade a que o disco está a cortar. Esta serra também inclui uma paragem de profundidade do disco que interrompe o corte do disco a uma determinada profundidade.

Para obter mais informações sobre a profundidade máxima de corte para diferentes tamanhos do disco, consulte a secção 'discos'

Utilização do Indicador de profundidade do disco

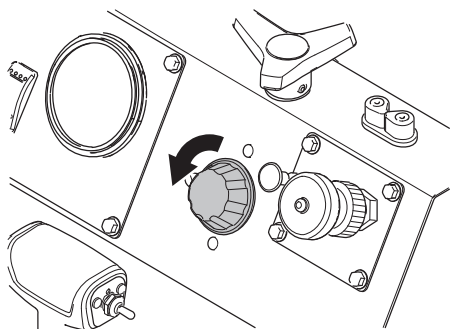
ATENÇÃO! Corte apenas à profundidade específico do trabalho em questão, uma vez que um corte mais profundo pode provocar problemas de resistência estrutural.

- Se o motor estiver a trabalhar, rode o interruptor de arranque do motor para a posição desligada para parar o motor.
- Rode o interruptor de arranque do motor para a posição ligada.
- Baixe a serra, puxando para baixo o interruptor para levantar/descer na alavanca de controlo para a frente/para trás, até que o disco entre em contacto com a superfície a cortar. Este será o ponto de referência.



OPERAÇÃO

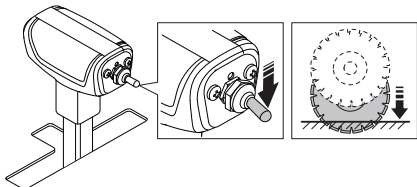
- Rode o manípulo do indicador de profundidade do disco para a posição zero. A profundidade do corte do disco passará agora a ser indicada no indicador de profundidade quando o disco for descido para a superfície de corte.



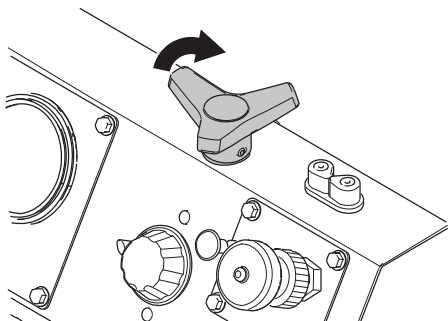
⚠ CUIDADO! Este contacto deve ser suave de forma a evitar danos no disco. Utilize o manípulo de controlo da velocidade de descida da serra para abrandar a velocidade de descida.

Utilização da paragem da profundidade do disco

- Faça descer a serra, puxando para baixo o interruptor para levantar/descer na alavanca de controlo para a frente/para trás até que disco esteja na profundidade desejada (conforme referido no indicador de profundidade do disco).



- Configure a paragem da profundidade do disco, rodando o manípulo para a direita até este ficar bem apertado. Agora, a profundidade máxima de corte encontra-se configurada. Se a serra for levantada fora da superfície de corte por qualquer razão, pode agora ser baixada até esta profundidade específica, baixando o disco para a superfície de corte com o interruptor para levantar/descer na alavanca do controlo da velocidade.



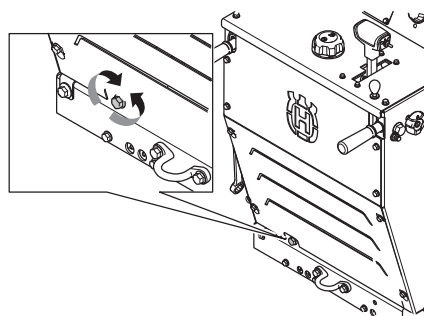
Corte em linha reta

Durante o corte, o disco cria resistência à força motriz das rodas traseiras, o que fará com que a máquina se desloque na mesma direção em que o disco estiver montado. Este efeito pode ser contrariado ao ajustar o ângulo do eixo traseiro utilizando o ajuste manual do eixo.

Ajuste do eixo traseiro

ATENÇÃO! Comece por desapertar os parafusos do eixo traseiro e da consola do motor da roda.

- O eixo traseiro é ajustado rodando o parafuso de ajuste localizado na parte traseira inferior do lado esquerdo da estrutura da serra com uma chave de 18 mm.
- Se a serra se deslocar para o lado direito durante o corte, rode o parafuso de ajuste para o lado esquerdo.
- Se a serra se deslocar para o lado esquerdo durante o corte, rode o parafuso de ajuste para o lado direito.

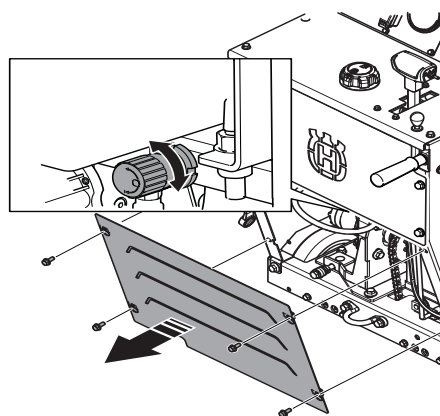


Sistema hidráulico

O sistema hidráulico desta serra é utilizado para levantar/descer o disco de diamante e para posicionar a serra para a frente ou para trás.

O sistema hidráulico é constituído por uma transmissão hidrostática, uma bomba de elevação de corrente contínua (CC) com uma válvula de controlo do fluxo e um êmbolo hidráulico de elevação.

- A taxa de descida da serra pode ser ajustada utilizando a válvula de controlo do fluxo. Se a serra descer demasiado depressa, rode o manípulo na válvula de controlo do fluxo para o lado direito até estar configurada uma taxa adequada de descida.



OPERAÇÃO

Transporte e armazenagem

- Retire a lâmina antes do transporte ou armazenamento da máquina para evitar que a lâmina se danifique.
- Retire todas as chaves e ferramentas de ajuste
- Feche a válvula de corte de combustível.



ATENÇÃO! Retire a lâmina de corte antes de proceder à elevação, carga, descarga ou transporte da máquina.

Transporte



ATENÇÃO! Retire sempre a lâmina de corte antes de transportar a máquina para fora da área de corte.

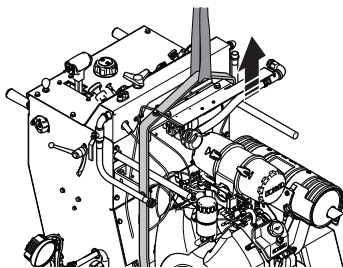


ATENÇÃO! Tenha muito cuidado ao deslocar a lâmina em rampas com o motor a funcionar. Em rampas íngremes, utilize sempre um guincho. Nunca se coloque por baixo da máquina. Mantenha-se apenas ao seu lado.

- Para descer uma rampa, conduza lentamente a serra para trás.
- Para subir uma rampa, conduza lentamente a serra para a frente.

Elevação da serra

- Tenha cuidado ao levantar pesos. As peças com que trabalha são pesadas, o que implica, entre outros, perigo de esmagamento.
- Utilize sempre a pega de levantamento montada na máquina para a levantar.



Para transporte em veículo

- Fixe o equipamento para transportá-lo, de modo a evitar danos e acidentes durante o transporte. Utilize os grampos de fixação instalados de fábrica na serra à frente e atrás para evitar movimentos durante o transporte.
- Não reboque esta serra com outro veículo. Se o fizer pode danificar os componentes da transmissão.

Armazenagem

Armazene o equipamento numa área que seja possível de trancar, de modo a mantê-lo fora do alcance de crianças e pessoas não autorizadas.

- Pare o motor rodando o interruptor de arranque do motor para a posição de paragem (STOP).
- Coloque a alavanca de controlo para a frente/para trás na posição de paragem/neutra.

Para o transporte e armazenamento do combustível e da bateria, consulte a secção 'Manuseamento de combustível' e 'Manuseamento da bateria'.

Para transportar e armazenar Lâminas, consulte a secção "Lâminas".

Armazenamento de longa duração

Certifique-se de que a máquina foi cuidadosamente limpa e submetida a uma revisão completa antes de ser armazenada por tempo prolongado. Leia o manual do proprietário do motor para obter informações adicionais sobre o armazenamento de longa duração.

- Retire a lâmina para o armazenamento e armazene-a com cuidado.

Feche a válvula de corte de combustível e volte a instalar a cobertura de proteção traseira.

- Lubrifique todos os bocais antes de proceder ao armazenamento.
- Desligue o terminal negativo e guarde-o a uma distância de segurança da bateria.
- Utilize a carga de compensação da bateria durante o armazenamento de longo prazo.
- Em armazenagem por tempo prolongado, o depósito de combustível da máquina deve ser esvaziado. Consulte o posto de abastecimento mais próximo sobre como proceder com o combustível excedente.
- Armazene a máquina e o respectivo equipamento num local seco e à prova de geada.
- Se a máquina estiver armazenada no exterior, cubra-a.
- Mude o óleo do motor depois de um armazenamento a longo prazo

ARRANQUE E PARAGEM

Antes de ligar



ATENÇÃO! Leia as instruções para o uso com toda a atenção e compreenda o seu conteúdo antes de fazer uso da máquina.

Use equipamento de protecção pessoal. Ver as instruções na secção "Equipamento de protecção pessoal".

Não permita a presença de pessoas estranhas na área de trabalho, sob risco de danos pessoais sérios.

- Execute uma manutenção diária. Consultar as instruções na secção 'Manutenção e assistência'.
- Certifique-se de que a lâmina não esteja em contacto com nada no momento de pôr a máquina em funcionamento.

ATENÇÃO! Leia o manual do utilizador fornecido pelo fabricante do motor.

Primeiro arranque

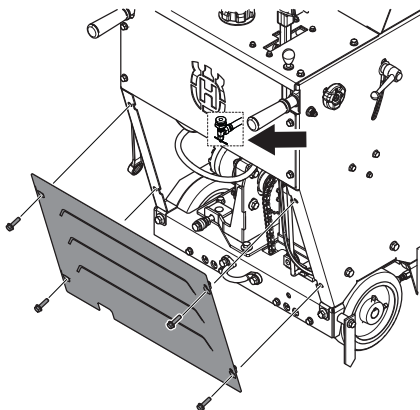
- Verifique o nível do óleo do motor sem a lâmina e com a serra na posição horizontal para obter um nível de serragem plano.
- Ligue os cabos da bateria. A unidade da serra de pavimento é fornecida com os cabos da bateria desligados.

Em alguns mercados, a bateria não é fornecida por motivos de segurança durante o transporte. Instale uma bateria nova.

Para mais informações, ver a secção de "Especificações Técnicas".

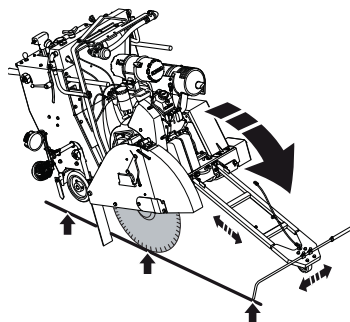
Esta máquina está equipada com uma válvula de corte de combustível. Para ligar a máquina pela primeira vez:

- Encha o reservatório do combustível.
- Retire a cobertura de proteção traseira e abra a válvula de corte de combustível.



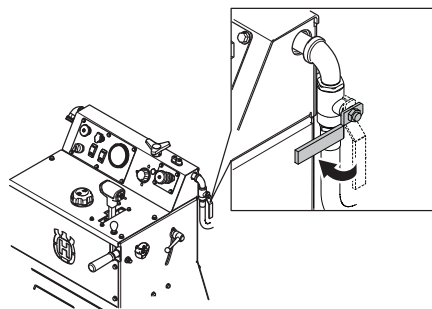
- Volte a instalar a cobertura de proteção traseira.

- Baixe a guia dianteira e alinhe a guia dianteira, a guia traseira e a lâmina de diamante com a linha na superfície. A guia dianteira é telescópica; ajuste o comprimento com os parafusos no interior da guia dianteira.

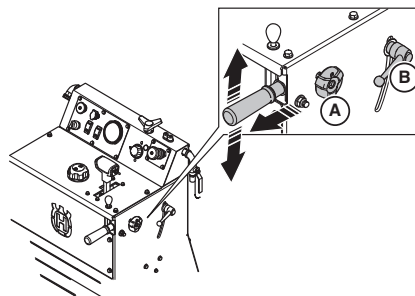


Arranque

- Ligue a máquina a uma fonte de água. Desligue a válvula de água.

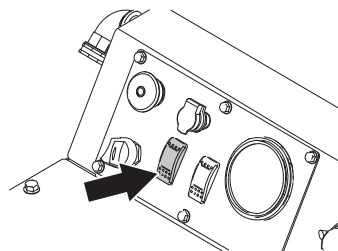


- Marque a superfície a cortar desenhando uma linha no local onde o corte deve ser efetuado.
- Puxe as barras de direção até ao comprimento e altura pretendidos e aperte os manípulos.



Ligar o motor

- Para arrancar a serra quando não existe pressão de água, coloque o interruptor de segurança da água na posição de desligado.

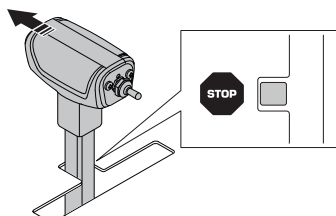


ARRANQUE E PARAGEM

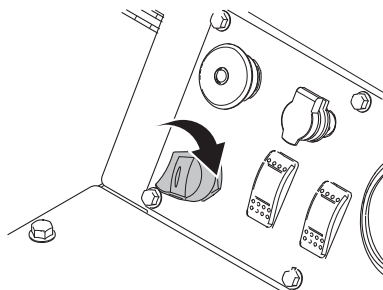
Sistema de segurança da água

A serra utiliza água para evitar o sobreaquecimento da lâmina e, em simultâneo, controlar a poeira provocada pela serragem. O sistema de segurança da água monitoriza a pressão de água na máquina e interrompe o processo de serragem caso se verifique uma queda de pressão.

- Coloque a alavanca de controlo para a frente/para trás na posição de paragem/neutra. O motor não arranca se a alavanca não estiver na posição de paragem/neutra.



- Ligue o motor.



- Deixe o motor aquecer durante vários minutos com a aceleração do motor ao ralenti (mínimo).

Não aqueça a máquina fora da área de corte, quando a lâmina estiver instalada na máquina. Para instalar a lâmina, consulte as instruções na secção Instalação da lâmina.

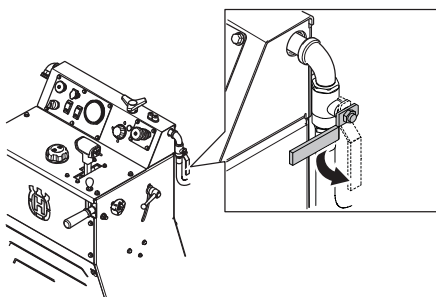
Inicie o corte



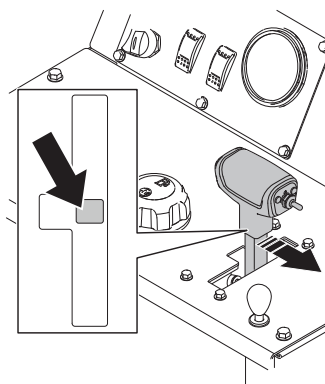
ATENÇÃO! Nunca use discos de corte marcadas com uma velocidade de rotação inferior à da máquina. Certifique-se de que a lâmina está instalada correctamente.

ATENÇÃO! Consulte o gráfico para obter informações sobre as velocidades adequadas do motor e do eixo de lâmina para tamanhos de lâmina específicos.

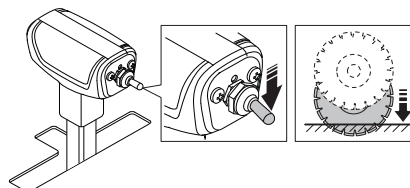
- Verifique se o fornecimento de água é adequado. Um baixo fluxo de água causa danos às lâminas de diamante. Acione o interruptor de segurança da água no painel de controlo e abra a válvula de água.



- Coloque a alavanca de controlo para a frente/para trás na posição de seleção de engrenagem.

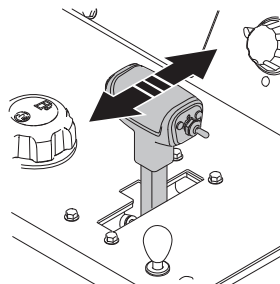


- Rode o botão da aceleração do motor para a rotação máxima.
- Desça a lâmina premindo o interruptor para levantar/descer da alavanca de controlo para a frente/para trás até que a lâmina atinja a profundidade de corte pretendida. Para obter mais informações, consulte a secção 'Profundidade de corte da lâmina'.



CUIDADO! Quando descer a lâmina para realizar um corte parcial, alinhe a lâmina exactamente com o corte para evitar danos na mesma.

- Desloque lentamente a serra para a frente empurrando a alavanca de controlo para a frente/para trás. Preste atenção ao som emitido pelo motor. Se o motor começar a abrandar, compense esta redução de velocidade puxando para trás a alavanca de controlo para a frente/para trás para reduzir a alimentação e evitar que a lâmina pare. Certifique-se de que a guia dianteira, a guia traseira e a lâmina de diamante permanecem alinhadas.



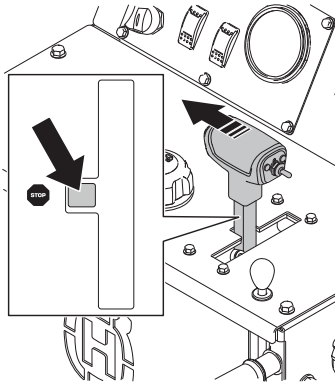
Paragem



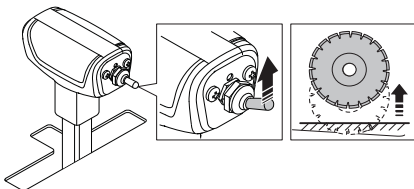
ATENÇÃO! Mantenha sempre todas as partes do seu corpo afastadas do disco e das restantes peças móveis.

Pare o corte.

- Coloque a alavanca de controlo para a frente/para trás na posição de paragem/neutra.

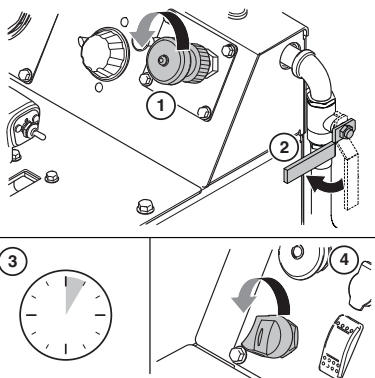


- Retire a lâmina de diamante do corte acionando o interruptor de subida/descida da alavanca de controlo para cima até que a lâmina de diamante se afaste das superfícies.



Parar o motor

- 1 Rode o botão do acelerador do motor para a posição de ralenti lento.
- 2 Desligue a válvula da água.
- 3 Deixe o motor trabalhar ao ralenti durante alguns minutos antes de o desligar. Faça-o na área de corte e não deixe a máquina sem supervisão.
- 4 Pare o motor rodando o interruptor de arranque do motor para a posição de paragem (STOP).



Noções gerais



ATENÇÃO! A maioria dos acidentes com máquinas ocorre durante a resolução de problemas com as mesmas, durante as revisões ou durante a manutenção devido à necessidade de a equipa entrar dentro da área de risco da máquina. Previna acidentes mantendo-se alerta e planeando e preparando o trabalho.

Se as operações de revisão exigirem que o motor esteja em funcionamento, tenha em atenção os riscos de trabalhar com componentes em movimento, bem como na sua proximidade.

Execute a manutenção e a revisão de acordo com o Manual do Operador para evitar paragens e para manter o valor da máquina.

Faça também a manutenção do equipamento suplementar e das suas ferramentas.

O utente só pode efectuar trabalhos de manutenção e assistência do tipo descrito nestas instruções. Intervenções maiores devem ser efectuadas por uma oficina autorizada.

Use somente peças originais nas reparações.

Medidas prévias à manutenção, revisão e resolução de problemas

Noções gerais

- Certifique-se de que a máquina está numa área segura.
- Estacione sempre a máquina numa superfície plana com o motor DESLIGADO e coloque o interruptor de arranque do motor na posição de paragem (STOP) antes de ligar a máquina. Prima o interruptor de paragem da máquina no painel de controlo.
- Vários componentes aquecem durante o funcionamento da máquina. Não inicie qualquer tarefa de assistência ou de manutenção até à máquina ter arrefecido.
- Defina sinais claros que informem as pessoas nas proximidades de que se encontra em curso um trabalho de manutenção.
- Assegure-se de que a área de trabalho está suficientemente iluminada, para que o ambiente de trabalho seja seguro.
- Verifique a localização de extintores de incêndios, equipamento médico e telefone de emergência.
- Retire a lâmina de corte antes de realizar operações de manutenção, assistência ou resolução de problemas.

Equipamento de protecção

- Use equipamento de protecção pessoal. Ver as instruções na secção "Equipamento de protecção pessoal".

Ambiente de trabalho

- A área à volta da máquina não deve estar suja para minimizar o risco de deslizamento.

Limpeza



CUIDADO! Durante a limpeza da máquina, existe, por exemplo, o risco de contaminação dos olhos com sujidade e substâncias nocivas.

A sujidade e as substâncias nocivas podem soltar-se da máquina quando é utilizado equipamento de alta-pressão.

A limpeza de alta-pressão com jactos de água ou ar pode penetrar na pele e provocar ferimentos graves. Nunca aponte um jacto de alta-pressão para a pele.

Após cada utilização e depois de arrefecer, limpe a máquina.

Método de limpeza

O método de limpeza varia consoante o tipo de contaminantes e da sujidade da máquina. Pode ser utilizado um agente desengordurante suave. Evite o contacto com a pele. Utilize máquinas de lavar de alta pressão para limpar a máquina.

Limpeza de componentes

Existem vários componentes que requerem uma consideração especial no que respeita à limpeza.

ATENÇÃO! Não utilize máquinas de lavar de alta pressão para limpar o painel de controlo.

Motor

- Mantenha uma distância de, pelo menos, 40 cm entre o bocal e o motor e os seus componentes. Não pulverize o motor de uma forma demasiado agressiva para evitar danos nos componentes eléctricos, tais como as fichas eléctricas e o alternador. Não pulverize água directamente no tubo de escape nem no filtro de ar do motor.

Após a lavagem

- Lubrifique os pontos de lubrificação da máquina.
- Seque os terminais eléctricos com ar comprimido.
- Deixe a máquina secar completamente antes de a ligar.
- Tenha cuidado quando ligar máquina depois da lavagem. Se algum componente tiver sido danificado devido à humidade, os movimentos da máquina podem ser anómalos.

MANUTENÇÃO E REVISÃO

Plano de revisão

O plano de revisão baseia-se no tempo de funcionamento da máquina. Poderão ser necessários intervalos de revisão mais frequentes quando as operações decorrerem em ambientes quentes e empoeirados e em trabalhos que gerem temperaturas elevadas. Uma descrição do modo como as operações devem decorrer encontra-se na análise da revisão.

Para determinados requisitos de manutenção, consulte os intervalos de manutenção no plano de manutenção que se segue e registre a próxima revisão. A máquina regista as horas de funcionamento, que podem ser consultadas no ecrã.

- Estacione sempre a máquina numa superfície plana com o motor DESLIGADO e o interruptor de arranque do motor na posição de paragem (STOP) antes de realizar qualquer trabalho de manutenção. Prima o interruptor de paragem da máquina no painel de controlo.

Leia atentamente o manual do motor da máquina e certifique-se de que compreende as instruções antes de utilizar a máquina. Existem alguns intervalos de manutenção especificados no manual do motor.

Controle diário

Também deve ser efectuada uma manutenção diária após o transporte.

	Diariamente	50h	100h	250h	500h	Anualmente
Controlar possíveis fugas de combustível ou óleo.	X					
Verificar o nível do óleo do motor	X					
Verifique a proteção da lâmina quanto a danos	X					
Verifique as mangueiras e os grampos quanto a danos ou folgas. Aperte ou substitua conforme necessário.	X					
Verifique o indicador de restrição do filtro de rede do ar. Limpe o filtro de ar exterior se o indicador estiver vermelho.	X					
Certificar-se de que todas as proteções de segurança se encontram devidamente posicionadas e em bom estado.	X					
Verifique a aspersão de água sobre a lâmina de diamante.	X					
Substitua o filtro e o óleo do motor*		X				
Lubrifique as rodas dianteiras		X				
Lubrifique o eixo da lâmina (2 bombas em cada extremidade)		X				
Verifique que a correia de transmissão não está desgastada.		X				
Substitua o filtro e o óleo do motor*			X			
Lubrifique os rolamentos do pivô do eixo dianteiro			X			
Verifique as rodas quanto a sinais de desgaste ou danos.			X			
Verificar se não existem folgas nos punhos traseiros			X			
Verifique a mangueira e os grampos do filtro de rede do ar do motor			X			
Verifique o nível do fluido do sistema hidráulico			X			
Lubrifique o pino rotativo do cilindro hidráulico.				X		
Lubrifique o rolamento do eixo traseiro.				X		
Substitua o fluido do sistema hidráulico					X	
Substitua o filtro de combustível do motor (do tipo roscado)					X	
Substitua o filtro de ar exterior e interior						X

* Às 50 horas e posteriormente a cada 100 horas

MANUTENÇÃO E REVISÃO

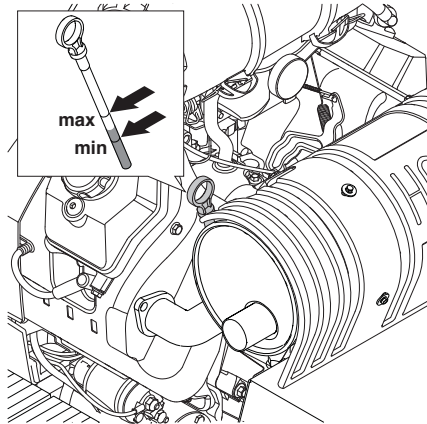
Controle diário



ATENÇÃO! A inspeção e/ou manutenção devem ser efectuadas com o motor desligado.

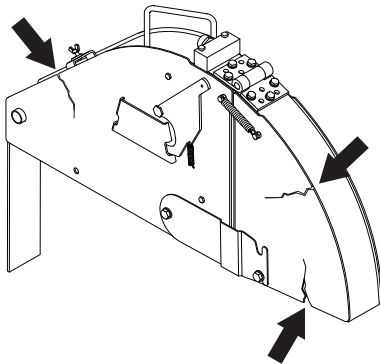
Verifique o nível do óleo do motor sem a lâmina e com a serra na posição horizontal para obter um nível de serragem plano.

- Verifique o nível do óleo de motor.
- Certifique-se de que o nível se encontra dentro dos limites.



Verifique a proteção da lâmina quanto a danos

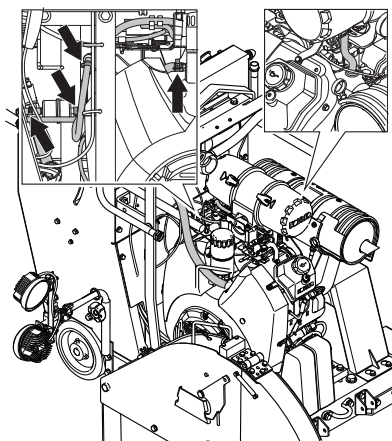
- Verifique a proteção da lâmina quanto a fissuras.



- Nunca utilize uma proteção da lâmina partida ou danificada.

Verifique todas as mangueiras e grampos quanto a danos ou folgas.

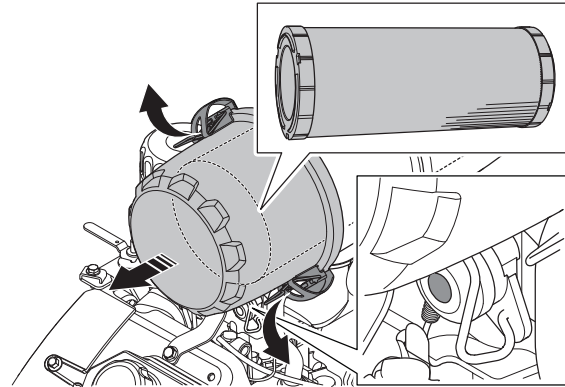
A imagem apresenta apenas algumas das mangueiras e grampos.



- Inspeccione o sistema hidráulico e o sistema de combustível quanto a fugas. Aperte ou substitua conforme necessário.

Verifique o indicador de restrição do filtro de rede do ar.

- Verifique e limpe o filtro de ar exterior se o indicador do filtro de rede do ar estiver vermelho. Retire a cobertura traseira abrindo os 2 grampos da caixa do filtro de ar e puxando a caixa para fora.



- Um filtro danificado deve sempre ser substituído.



CUIDADO! Durante a mudança de filtro, é possível que ocorra dispersão de poeira nociva. Utilize proteção respiratória aprovada. Elimine corretamente os filtros.

O filtro não pode ser limpo com ar comprimido; caso contrário, é danificado. Os filtros podem ser aspirados para limpeza, mas evite atingir ou arrastar itens através da superfície; caso contrário, o filtro é danificado.

Não utilize a lavagem a alta pressão, pois danificará o filtro.

Um filtro lavado tem de estar 100% seco antes de voltar a ser colocado no equipamento.

Coberturas de proteção

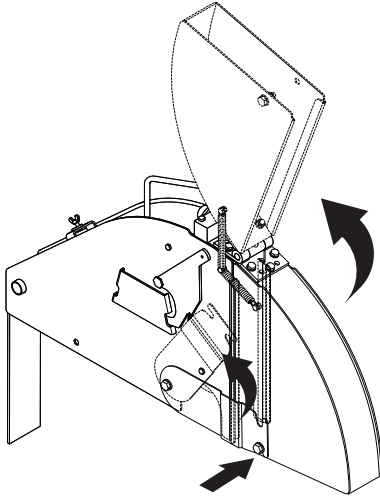
- Certifique-se de que todas as coberturas de proteção se encontram devidamente posicionadas e em bom estado.

Para mais informações, consulte a secção 'Equipamento de segurança da máquina'.

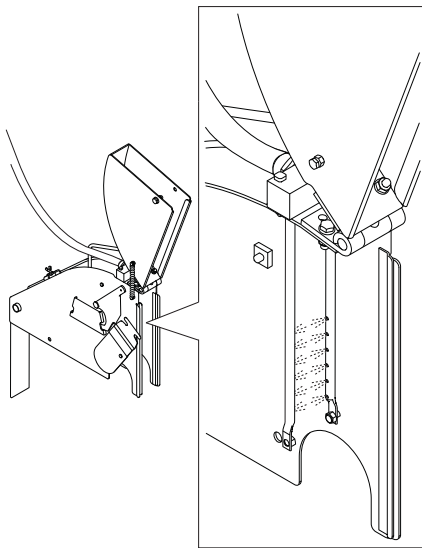
MANUTENÇÃO E REVISÃO

Verifique a aspersão de água sobre a lâmina de diamante.

- Levante a parte dianteira da proteção do disco e utilize o pino de desengate rápido para a bloquear na posição vertical.



- Abra a válvula de água no painel de controlo. Certifique-se de que saem jatos de água dos orifícios nos tubos de água em ambos os lados da lâmina e que não há fugas. Substitua o tubo de água se este estiver danificado.



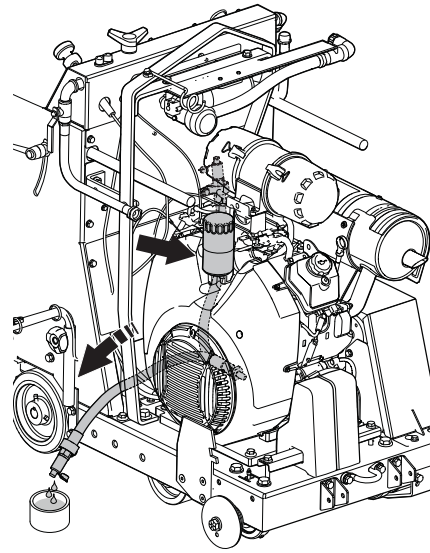
Após as primeiras 50 horas

Substitua o filtro e óleo do motor

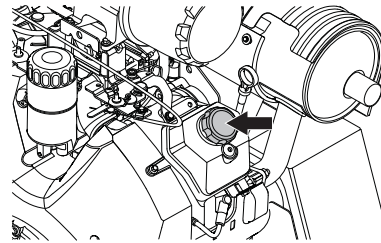
- Retire a tampa superior da mangueira. Abra a válvula e dobre-a para baixo para esvaziar o sistema.

Retire o filtro e substitua-o.

Lubrifique o vedante com algumas gotas de óleo antes de o voltar a instalar.



- Reabasteça o sistema com óleo.



- Verifique o nível do óleo do motor, consulte as instruções na secção 'Manutenção diária'.

Revisão das 50 horas

Ajuste automático da tensão da correia de transmissão do eixo da lâmina

Esta máquina está equipada com um dispositivo dinâmico de tensão da correia que não requer ajustes nem manutenção.

A tensão correta é predefinida durante a montagem em produção. No entanto, se for necessário substituir a correia ou outros componentes, siga os 6 passos abaixo para respeitar o procedimento correto.

Ferramentas necessárias

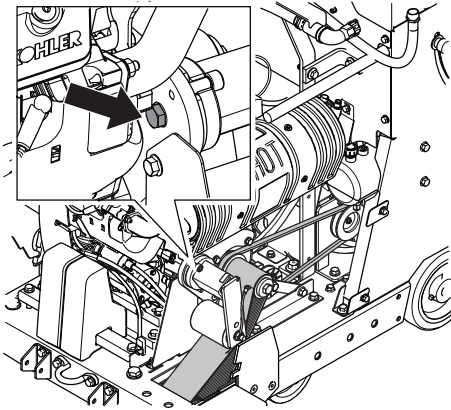
- Chave de 13 mm (não fornecida com a máquina)
- Chave de 19 mm (não fornecida com a máquina)
- Chave ajustável (não fornecida com a máquina)
- Chave sextavada, 8 mm (não fornecida com a máquina)

Para afrouxar a tensão da correia

- Utilize a chave de 13 mm para desapertar os 4 parafusos M8 que fixam a proteção da correia. Retire a proteção da correia.
- Utilize a chave allen para retirar o parafuso allen (parafuso de fixação).

MANUTENÇÃO E REVISÃO

- Utilize a chave de 19 mm para desapertar ligeiramente o parafuso que fixa o dispositivo de tensão à placa.



Para definir a tensão correta

- Utilize uma chave ajustável para rodar a base do dispositivo de tensão no sentido contrário ao dos ponteiros do relógio para definir a pré-tensão necessária. Quando o dispositivo de tensão apresentar um ângulo de 25° e a ranhura na base do dispositivo de tensão estiver alinhada com o orifício da placa: aperte o parafuso de fixação com uma chave de 19 mm.
- Utilizando uma chave allen, volte a instalar o parafuso allen.
- Volte a instalar a proteção da correia. Utilize a chave de 13 mm para apertar os 4 parafusos M8 que fixam a proteção da correia.



CUIDADO! Substitua as correias Polly-V sempre que estas estiverem gastas ou danificadas.

Lubrifique o eixo da lâmina (2 bombas em cada extremidade)

Consulte as instruções na secção 'Lubrificação'.

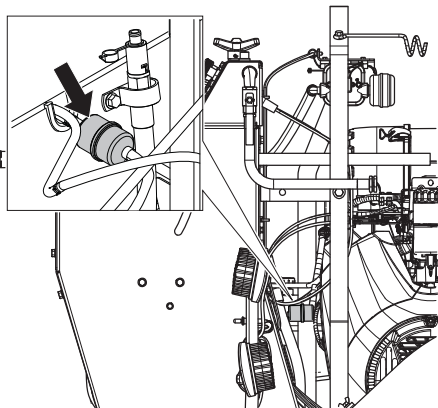
Lubrifique as rodas dianteiras

Consulte as instruções na secção 'Lubrificação'.

Revisão das 100 horas

Substituir o filtro de combustível do motor (do tipo integrado)

- Feche a válvula de corte de combustível do depósito de combustível. Retire o filtro de combustível desencaixando-o da linha de combustível. Substitua o filtro de combustível. Esteja atento a eventuais derrames de combustível.



Substitua o filtro e óleo do motor

Consulte as instruções na secção 'Após as primeiras 50 horas'

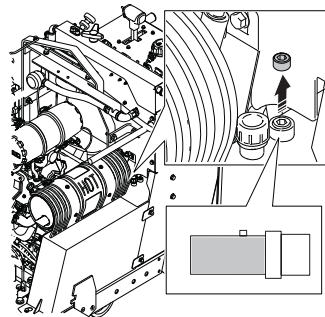
Verifique as rodas quanto a sinais de desgaste ou danos.

Verificar se não existem folgas nos punhos traseiros

Verifique a mangueira e os grampos do filtro de rede do ar do motor

Verifique o nível do fluido do sistema hidráulico

- Certifique-se de que a máquina está totalmente descida.
- Remova o tampão da abertura de inspeção do reservatório hidráulico. O nível deve estar no limite inferior da abertura do reservatório hidráulico. Encha conforme necessário.



ATENÇÃO! Não encha demasiado!

Lubrifique os rolamentos do pivô do eixo dianteiro

Consulte as instruções na secção 'Lubrificação'.

Revisão das 250 horas

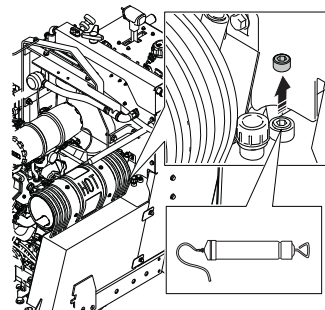
Lubrifique o rolamento do eixo traseiro.

Consulte as instruções na secção 'Lubrificação'.

Revisão das 500 horas

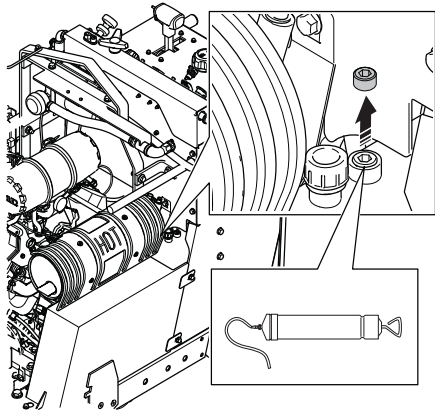
Substitua o fluido do sistema hidráulico

- Certifique-se de que a máquina está totalmente descida.
- Retire o tampão da abertura de inspeção do reservatório hidráulico e utilize um extrator de óleo para aspirar o fluido através da abertura de inspeção.



MANUTENÇÃO E REVISÃO

- Reabasteça o reservatório com óleo novo. Certifique-se de que a máquina está totalmente descida.

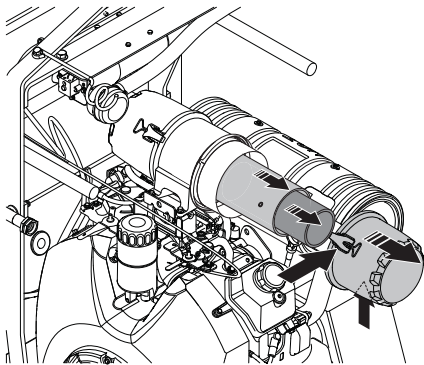


ATENÇÃO! Não encha demasiado!

Manutenção anual

Substitua o filtro de ar exterior e interior

Retire a cobertura traseira abrindo os 2 grampos da caixa do filtro de ar e puxando a caixa para fora. Substitua os dois filtros e volte a montá-los na ordem inversa.



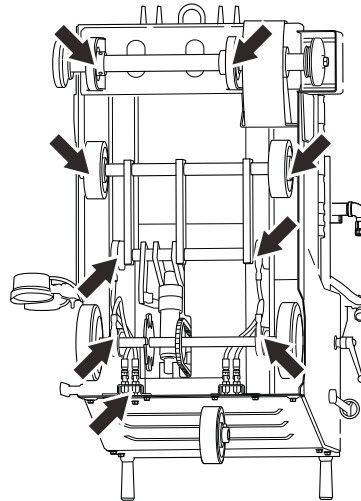
CUIDADO! Os 2 grampos da caixa do filtro de ar não podem ser fechados se o filtro de ar exterior não estiver devidamente instalado.

Lubrificação

A imagem apresenta todos os pontos de lubrificação (8 bocais de lubrificação). Limpe o copo. Substitua os copos partidos ou bloqueados.

- Lubrifique as rodas dianteiras.
- Lubrifique os rolamentos do pivô do eixo dianteiro.
- Lubrifique o eixo da lâmina. Duas bombas em cada extremidade.
- Lubrifique o rolamento do eixo traseiro.

Lubrifique o eixo da lâmina na parte superior da placa de base.



Eliminação, sucata

Este produto deve ser enviado para uma estação de reciclagem adequada, em conformidade com os requisitos locais. Providenciando para que este produto seja processado de forma correcta, você pode contribuir para contrariar potenciais consequências negativas para o meio ambiente e pessoas, que caso contrário, podem ser provocadas pela gestão inadequada dos resíduos deste produto. Para mais informação sobre a reciclagem deste produto, contacte os serviços competentes da sua autarquia, o serviço de recolha de resíduos domésticos ou o estabelecimento onde adquiriu o produto.



LOCALIZAÇÃO DE AVARIAS

Incidentes durante a serragem

CUIDADO! Se o motor ou a lâmina parar por qualquer motivo, retire completamente a lâmina do corte. Coloque o interruptor de arranque do motor na posição de paragem (STOP). Prima o interruptor de paragem da máquina no painel de controlo. Inspeccione a máquina cuidadosamente antes de reiniciar o motor.

- As reparações devem ser todas efectuadas exclusivamente pelo concessionário autorizado

Problema	Causa	Acção possível
O motor para durante a serragem	Motor sem combustível.	Reabasteça com combustível
	Uma falha de água aciona o interruptor de segurança de água para parar o motor	Desengate o interruptor de segurança de água e verifique o fornecimento de água e, em seguida, reinicie o motor.
	O interruptor de paragem da máquina foi premido	Restabeleça a paragem da máquina puxando o manípulo para fora.
	Realizar cortes com demasiada rapidez fazem com que o motor vá abaixo	Preste atenção ao som emitido pelo motor. Se o motor começar a abrandar, compense esta redução de velocidade puxando para trás a alavanca de controlo para a frente/para trás para reduzir a alimentação e evitar que a lâmina pare.
	Um fusível do disjuntor fundiu	Inspeccione e substitua os fusíveis
A lâmina de diamante para durante a serragem	A tensão da correia da transmissão é inadequada	É necessário substituir a correia de transmissão ou o tensor ROSTA.
A descida da serra é demasiado rápida	A válvula que controla a descida da serra está demasiado aberta.	É possível ajustar a taxa de descida da serra utilizando o manípulo de controlo da velocidade de descida da serra existente na/sob a bomba hidráulica. Se a serra descer demasiado rápido, rode o manípulo no sentido dos ponteiros do relógio até obter uma taxa de descida adequada.
A lâmina corta muito devagar.	A lâmina ficou mal afiada ou a pressão de funcionamento está demasiado alta	Diminua a profundidade de corte e a rotação do motor durante um curto período de tempo

ESPECIFICAÇÕES TÉCNICAS

Bateria

	FS 3500 G
Tipo de terminal	SAE padrão
Tensão, V	12
CCA, A	475
Tamanho máximo (C x L x A), mm/polegadas	242x175x175 / 9 9/16x6 7/8x6 7/8

Fluido hidráulico e lubrificantes

Fluido hidráulico

Qualidade	Standard
SAE 10W-30	API Class SE
	API Class CC
	API class CD

Lubrificantes

Componente	Qualidade	Standard	Capacidade do depósito de óleo, litro/qt
Óleo de motor	SAE 10W-30	Classificação SJ (API)	2/1.9
Bomba hidroestática	SAE 10W-30		0.19/0.18
Bomba de elevação	SAE 10W-30		1.0/0.95
Pontos de lubrificação (placa base)*	NLGI 2	SAE J310	

* Consultar as instruções na secção 'Manutenção e assistência'.

ESPECIFICAÇÕES TÉCNICAS

Especificações técnicas

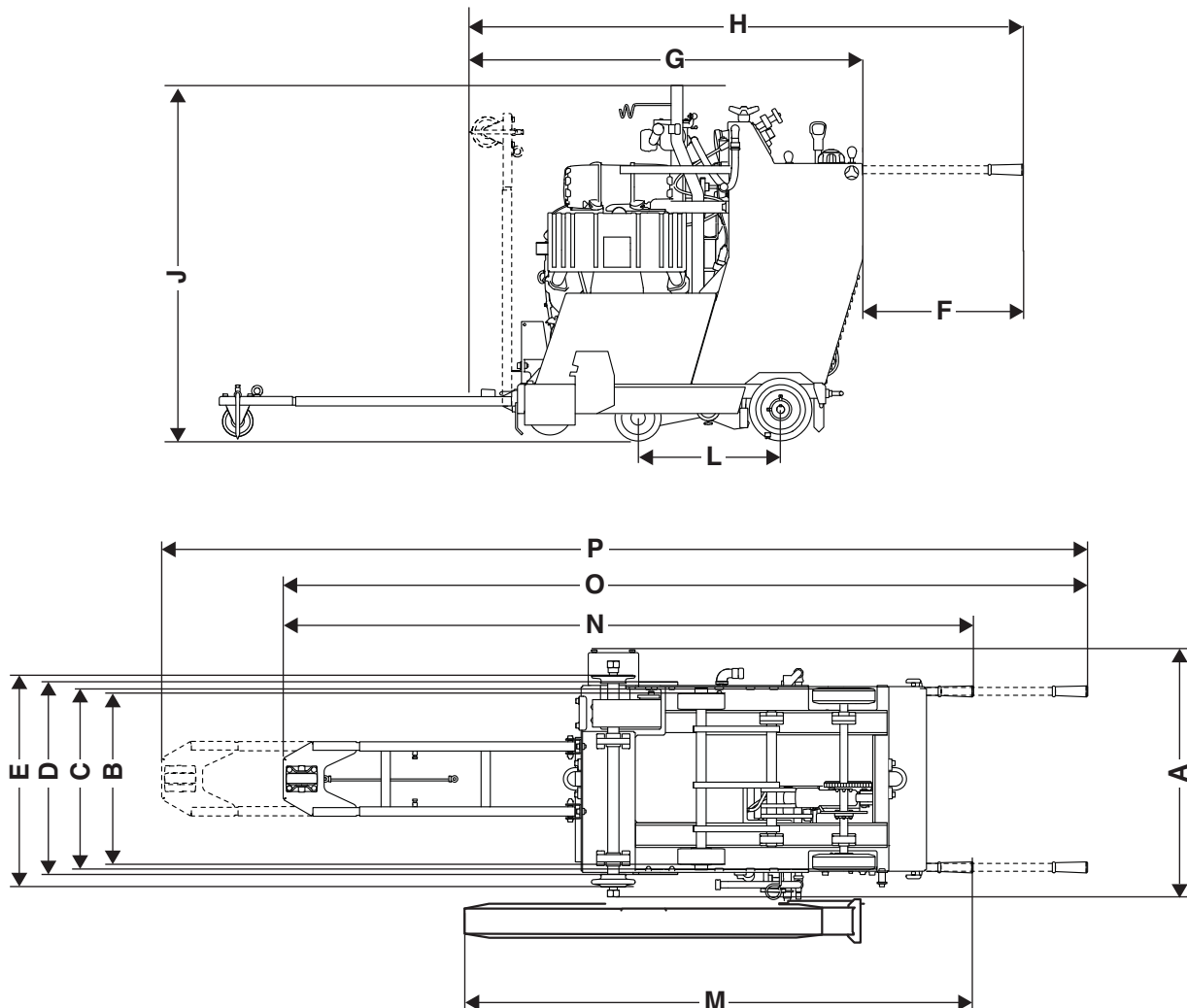
FS 3500 G

Função de serra	500/20	650/26	750/30
Capacidade da proteção da lâmina, mm/polegadas	500/20	650/26	750/30
Profundidade de corte máxima, mm/polegadas	192/7.72	255/10.25	305/12.25
Eixo da lâmina, rpm	2580	1860	1860
Potência aproximada do eixo da lâmina, hp/kW	29/21.6		
Tamanho da haste, mm/polegadas	25.4/1 com pino de transmissão único		
Flange da lâmina de desengate rápido Ø, mm/polegadas	114.5/4.5	127/5	127/5
Diâmetro do eixo da lâmina, mm/polegadas	44.45 / 1-3/4		
Rolamentos do eixo da lâmina, mm/polegadas	Mancal, rolamentos de esferas 44.45 / 1-3/4		
Transmissão do eixo da lâmina	Correia Polly-V (25 nervuras)		
Líquido refrigerante da lâmina	Tubos duplos de pulverização de água de múltiplos jatos em aço zincado		
Acessório da proteção da lâmina	Trinco automático deslizante		
Controlo da lâmina	Bomba eletrohidráulica para elevação da lâmina; Subida/descida controlada através de interruptor na alavanca de controlo da velocidade; Indicador de profundidade de corte e paragem de acordo com a profundidade.		
Diâmetro do eixo, mm/polegadas	Dianteira, 25.4/1		
	Traseira, 25.4/1		
Rodas, mm/polegadas	152x51x25/6x2x1		
	Traseira, 203 x 51 x 25/8 x 3 x 1, borracha maciça		
Transmissão	Bomba hidrostática, com 1 motor da roda hidráulico ligado por manguueiras, acionamento final da corrente, interruptor de arranque em neutro, controlo da velocidade com um só punho.		
Velocidade máxima no solo	Ilimitadamente ajustável: 0-51 m/min / 0-167 fpm para a frente e para trás. 25 m/min, velocidade máxima para trás, modelos CE		
Chassi	Construção perfilada em U e caixa rígida resistente		
Peso (não embalado e montado), kg/lb	409/902	413/911	416/917
Massa operacional máxima, kg/lb	431/950	440/970	447/985

ESPECIFICAÇÕES TÉCNICAS

Dimensões da serra

A	Largura, mm/polegadas		807 / 31 3/4	H	Comprimento da serra (ponteiro para cima, punhos estendidos), mm/pol.	1977 / 77 3/4
B	Distância entre as rodas, centro a centro, mm/polegadas	Dianteira	502 / 19 3/4	J	Altura geral mín. (sem tubo de escape, sem tampão do pré-filtro), mm/pol.	1152 / 45 3/8
		Traseira	540 / 21 1/4			
C	Distância entre as rodas, exterior a exterior, mm/polegadas	Dianteira	553 / 21 13/16	L	Distância entre eixos, mm/pol.	464 / 18 1/4
		Traseira	591 / 23 1/4	M	Comprimento do punho até à proteção (punhos recolhidos), mm/pol.	1549 / 61
D	Largura da estrutura, mm/polegadas		606 / 23 7/8	N	Comprimento geral máx. (punhos recolhidos), mm/pol.	2210 / 87
E	Distância entre as flanges, interior a interior, mm/polegadas		687/27-1/4	O	Comprimento geral máximo (punhos estendidos, ponteiro para baixo), mm/pol.	2895 / 114
F	Extensão da barra de direção, mm/polegadas		809 / 31 7/8	P	Comprimento geral máx. (punhos estendidos, ponteiro estendido), mm/pol.	3378 / 133
G	Comprimento mín. da serra (barra de direção removida, ponteiro e proteção para cima), mm/polegadas		1168 / 46			



ESPECIFICAÇÕES TÉCNICAS

Motor FS 3500 G

Especificações do motor	Kohler CH1000
Potência máx. do motor (ver nota 1)	37hp@3750rpm (27.5kW@3750rpm)
Cilindrada, dm ³ / cu.in.	1.0/61
Cylinders	2
Curso, mm/pol.	78.5/3.1
Capacidade do depósito de combustível, l/galões	23.8/6.3
Filtro de ar	Filtro de ar ciclónico e indicador de restrição
Motor de arranque	Elétrico

Para mais informações e dúvidas sobre este motor específico, consulte www.kohlerengines.com.

Nota 1: Conforme especificado pelo fabricante do motor. A potência nominal dos motores indicada é a potência média líquida (às rpm especificadas) de um motor de produção típico para o modelo do motor medido em conformidade com as normas ISO3046, SAE J1940/J1995. Os motores de produção em série podem apresentar valores diferentes. A potência real do motor instalado na máquina final dependerá da velocidade de funcionamento, das condições ambientais e de outras variáveis.

Emissões de ruído

	FS 3500 G
Emissões de ruído (ver nota 1)	
Nível de potência sonora, medido em dB(A)	107
Nível de potência sonora, L _{WA} garantido dB(A)	110
Níveis acústicos (ver nota 2)	
Nível de pressão acústica junto ao ouvido do utilizador, dB(A)	95
Níveis de vibração, a_{hv} (ver nota 3)	
Punho direito, m/s ²	1.6
Punho esquerdo, m/s ²	3.8

Nota 1: Emissões sonoras para as imediações, medidas sob forma de potência sonora (L_{WA}) conforme a directiva da CE 2000/14/CE. A diferença entre a potência sonora garantida e medida é que a potência sonora garantida inclui também a dispersão no resultado da medição e as variações entre diferentes máquinas do mesmo modelo, de acordo com a Directiva 2000/14/CE.

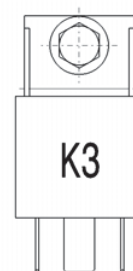
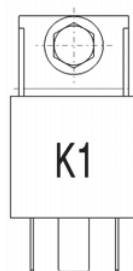
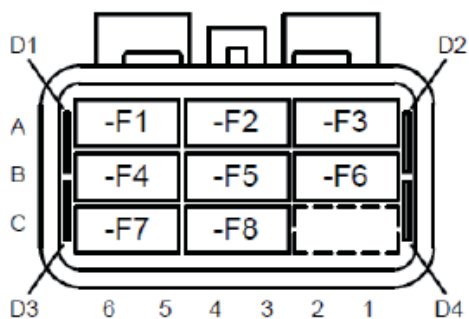
Nota 2: Nível de ruído em conformidade a EN 13862. Os dados comunicados relativamente ao nível de pressão de ruído tem uma dispersão estatística típica (desvio padrão) de 4,0 dB(A).

Nota 3: Nível de vibração em conformidade com a EN 13862. Os dados comunicados relativamente ao nível de vibração têm uma dispersão estatística típica (desvio padrão) de 1 m/s².

RELÉS E FUSÍVEIS

Relés e fusíveis - FS 3500 G

Funcionamento		Designação	Ampere
Sistema principal		-F1	20
Ignição		-F2	15
Sistema hidráulico		-F3	5
Solenóide do carburador do motor		-F4	5
Instrumentos		-F5	2
Kit de bomba de água	(opcional)	-F6	10
Kit de iluminação	(opcional)	-F7	10
Kit de tomada de alimentação	(opcional)	-F8	15
Relé principal		-K1	20
Relé de supressão		-K2	10
Relé de segurança do óleo		-K3	5



CERTIFICADO CE DE CONFORMIDADE

Certificado CE de conformidade

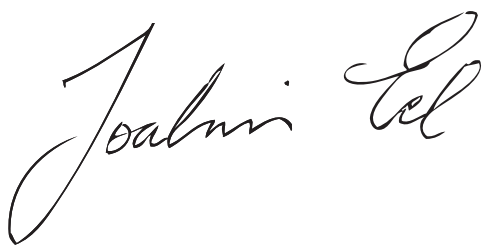
(Válido unicamente na Europa)

A **Husqvarna AB**, SE-561 82 Huskvarna, Suécia, tel. +46-36-146500, declara sob sua exclusiva responsabilidade que a serra plana **Husqvarna FS 3500 G** com números de série do ano 2018 e seguintes (o ano é claramente identificado na etiqueta de tipo, seguido de um número de série) cumpre as disposições da DIRETIVA do CONSELHO:

- de 17 de Maio de 2006 "referente a máquinas" **2006/42/CE**.
- de 26 de Fevereiro de 2014 "referente a compatibilidade electromagnética" **2014/30/UE**.
- de 8 de Maio de 2000 "referente à emissões sonoras para as imediações" **2000/14/CE**.

Foram respeitadas as normas seguintes: **EN ISO 12100:2010, CISPR12:2007+Amd1:2009, EN55012:2008+A1:2009, EN13862+A1:2009, EN ISO 14982:2009, ISO 13766:2006**. A RISE SMP Svensk Maskinprovning AB, Box 7035, SE-750 07 Uppsala, Suécia, efetuou o exame de tipo voluntário de acordo com o disposto na diretiva de máquinas (2006/42/CE), a pedido da Husqvarna AB. O certificado tem o número: **SEC/16/2457**

Partille, 1 de janeiro de 2018



Joakim Ed

Diretor de I&D global

Construction Equipment Husqvarna AB

(Representante autorizado da Husqvarna AB e responsável pela documentação técnica.)



www.husqvarnacp.com

GB - Original instructions, FR - Instructions d'origine, NL - Originele instructies, IT - Istruzioni originali,
ES - Instrucciones originales, DE - Originalanweisungen, PT - Instruções originais



1159084-20

2017-12-21