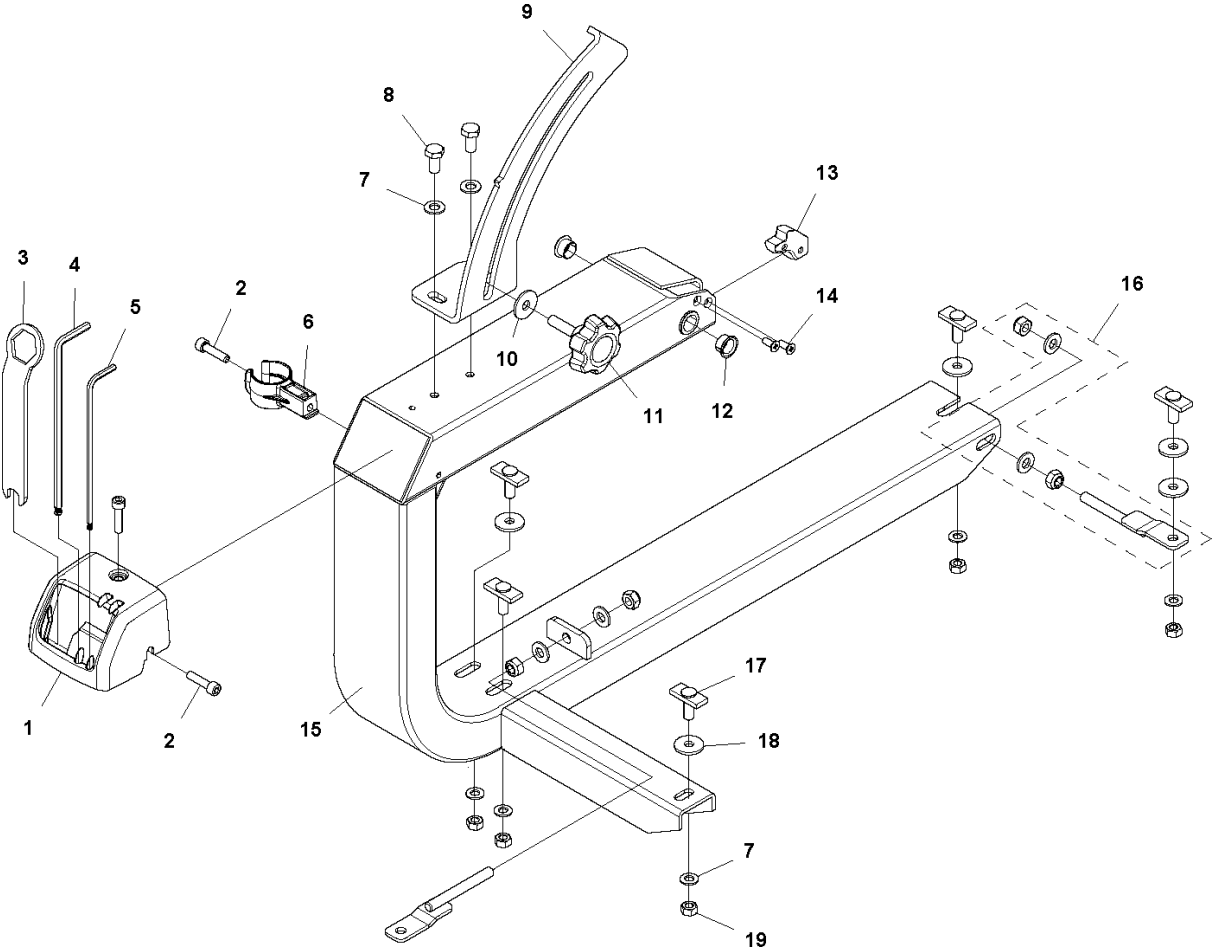




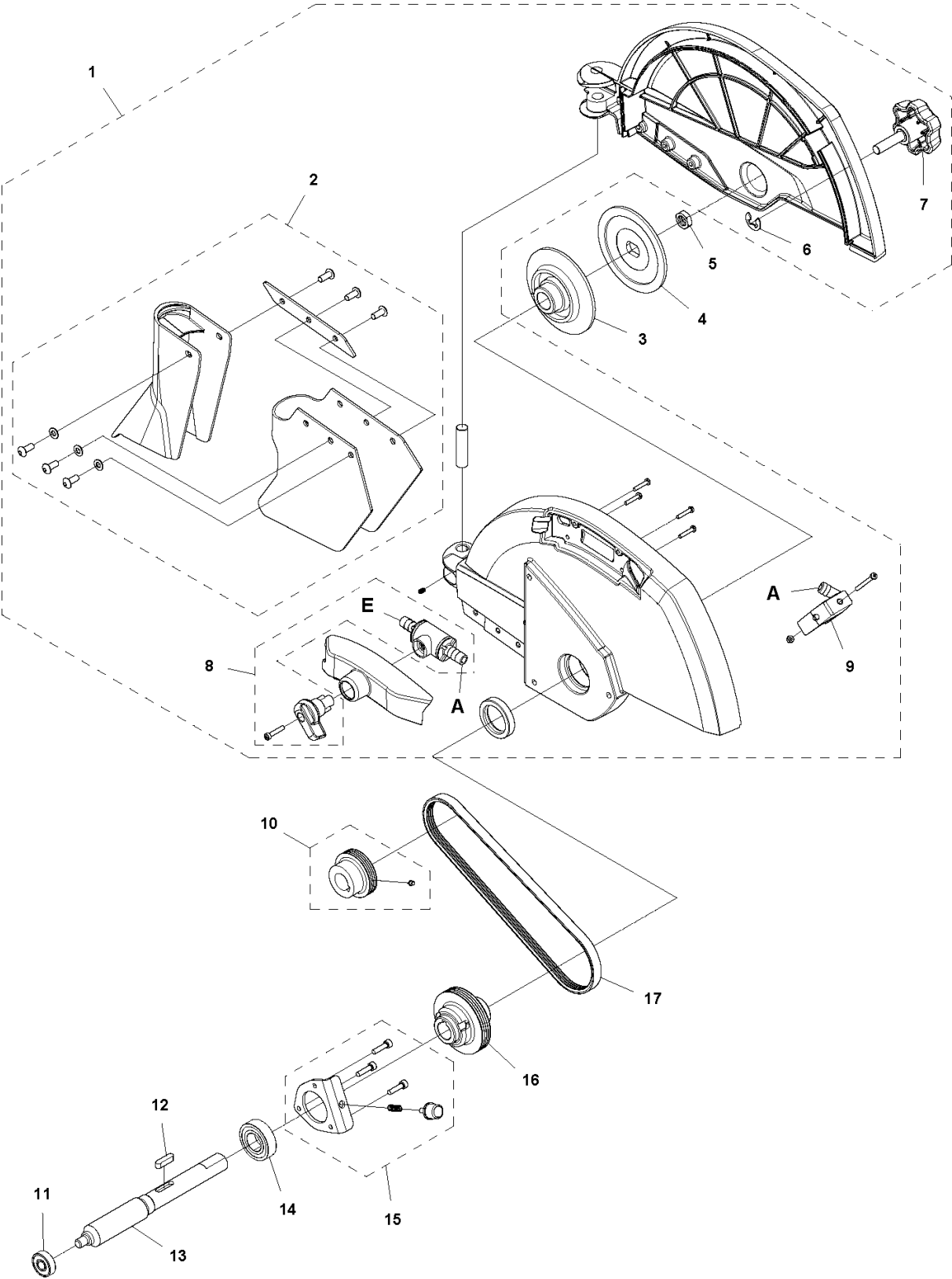
# SPARE PARTS LIST

TILE SAWS

TS70, 2015-07



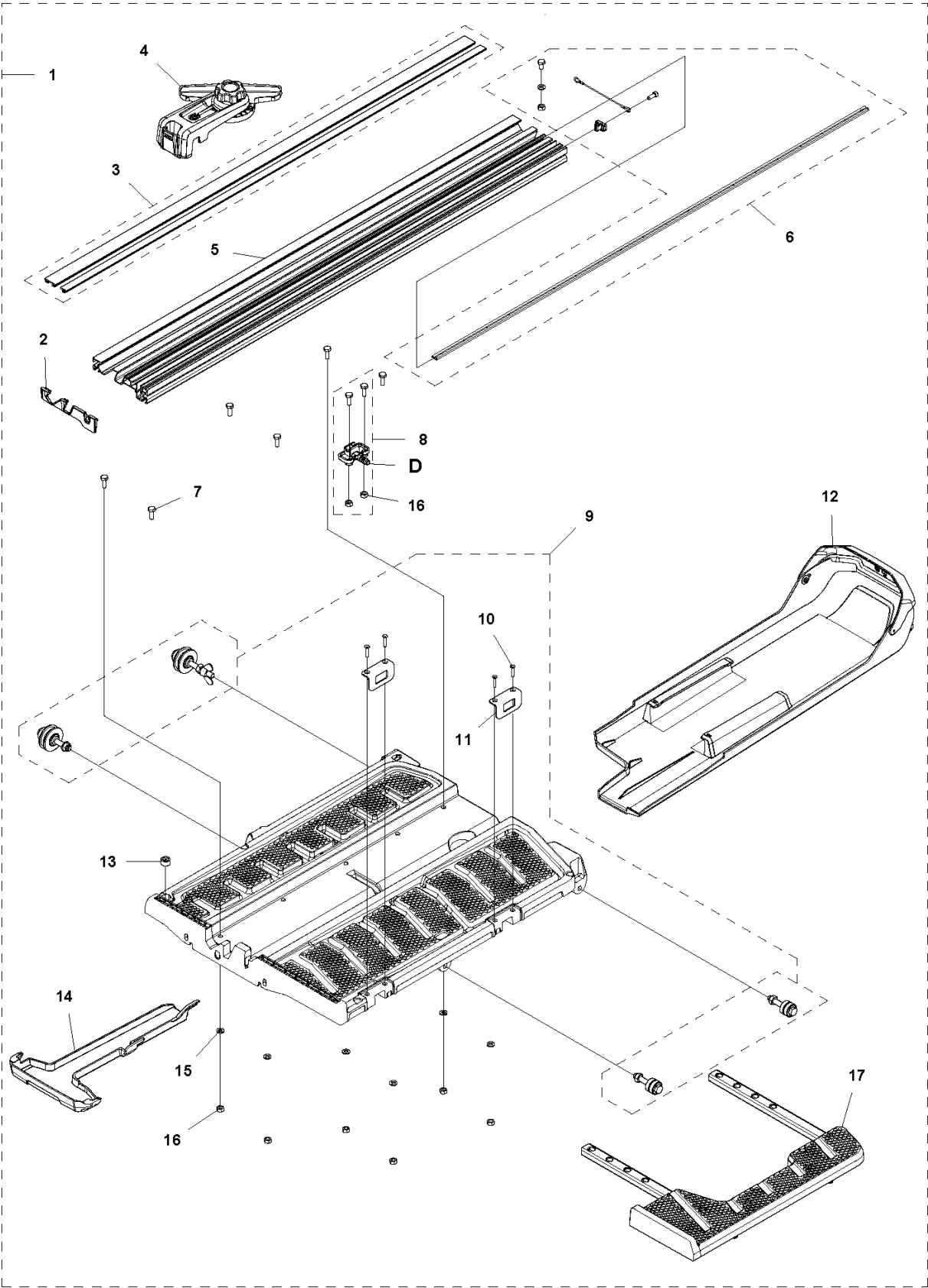
Ref	Part No	Description	Remark	QTY KIT
1	585 56 39-01	COVER		1
2	725 53 72-01	SCREW IHSCM		3
3	510 22 54-37	WRENCH		1
4	588 10 99-02	WRENCH		1
5	588 10 99-01	WRENCH		1
6	585 54 53-01	CLIP		1
7	734 11 63-01	WASHER		7
8	725 24 49-71	SCREW EHHM		2
9	585 23 64-01	BRACKET		1
10	584 14 69-01	WASHER		1
11	585 59 50-01	KNOB		1
12	585 62 09-02	BUSH		2
13	585 54 93-01	BRACKET		1
14	725 62 95-01	SCREW IHCSFM		2
15	585 23 45-01	ARM		1
16	588 95 77-01	ADJUSTER		2
17	588 11 63-01	BRACKET		5
18	504 58 11-01	WASHER		5
19	732 25 18-01	HEXAGON LOCKING NUT		5



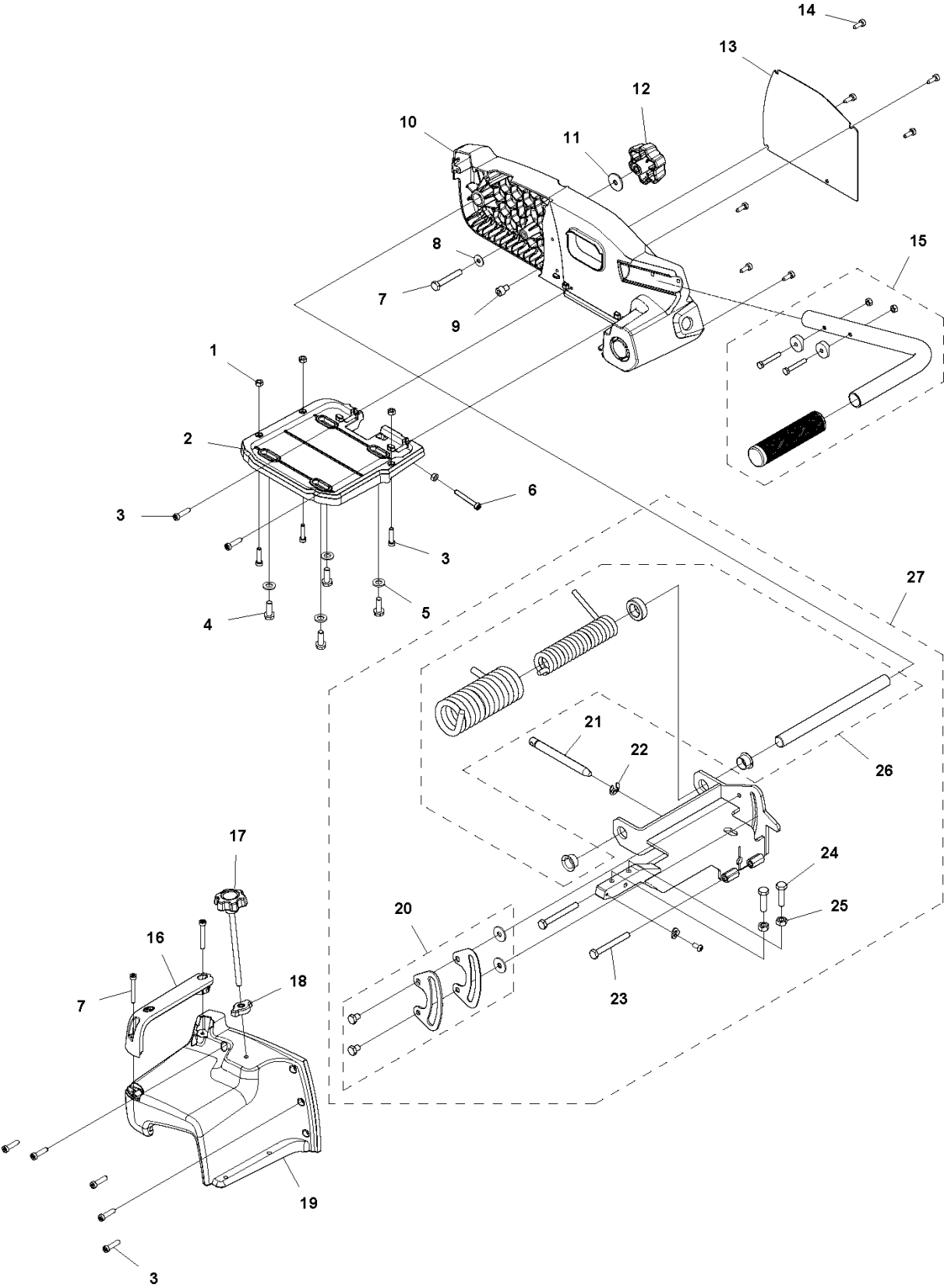
## BLADE GUARD

TS70, 2015-07

Ref	Part No	Description	Remark	QTY	KIT
1	585 59 63-01	BLADE GUARD		1	
2	588 91 86-01	SPLASH GUARD		1	1
3	581 55 72-01	FLANGE WASHER		1	
4	575 63 68-01	FLANGE		1	
5	581 55 91-01	BELT		1	
6	576 68 23-01	NUT		1	
7	735 31 12-21	E-CLIP		1	1
8	585 59 50-01	KNOB		1	1
9	585 59 77-01	NOZZLE		1	1
10	589 00 42-01	PULLEY KIT	Ø24 Motor Shaft	1	
10	589 00 42-02	PULLEY KIT	Ø19 Motor Shaft	1	
11	525 81 67-01	BEARING		1	
12	581 55 95-01	PARALLEL KEY		1	
13	581 55 93-01	BLADE SHAFT		1	
14	738 21 03-04	BALL BEARING		1	
15	588 95 82-01	LOCKING BUTTON		1	
16	580 81 50-01	PULLEY		1	
17	581 55 87-01	BELT		1	



Ref	Part No	Description	Remark	QTY KIT
1	581 36 96-01	CART		1
2	581 34 32-01	GASKET		1
3	588 91 87-01	PROFILE		1
4	584 25 40-01	GUIDE		1
5	580 27 42-02	PROFILE		1
6	588 91 88-01	PROFILE		1
7	725 23 68-71	SCREW EHHM		6
8	588 95 83-01	NOZZLE		1
9	588 91 58-01	WHEEL KIT		1
10	725 62 95-01	SCREW IHCSFM		4
11	580 27 46-01	BRACKET		2
12	581 37 35-01	COLLECTOR		1
13	541 40 50-36	LEVEL BUBBLE		1
14	580 27 60-01	COLLECTOR		1
15	734 11 52-01	WASHER		10
16	732 25 16-01	HEXAGON LOCKING NUT		9
17	581 37 42-01	TABLE		1

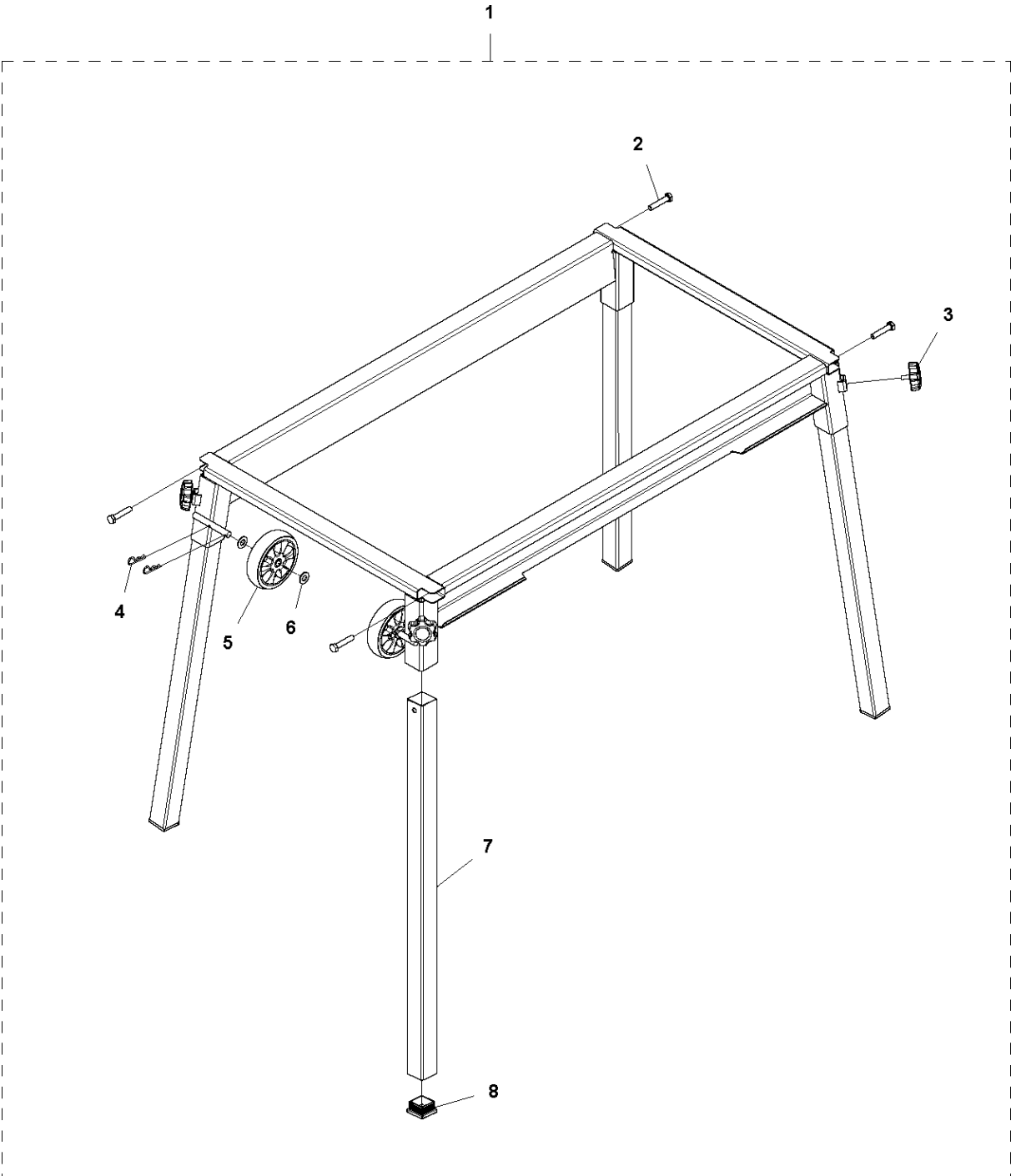




## CUTTING HEAD

TS70, 2015-07

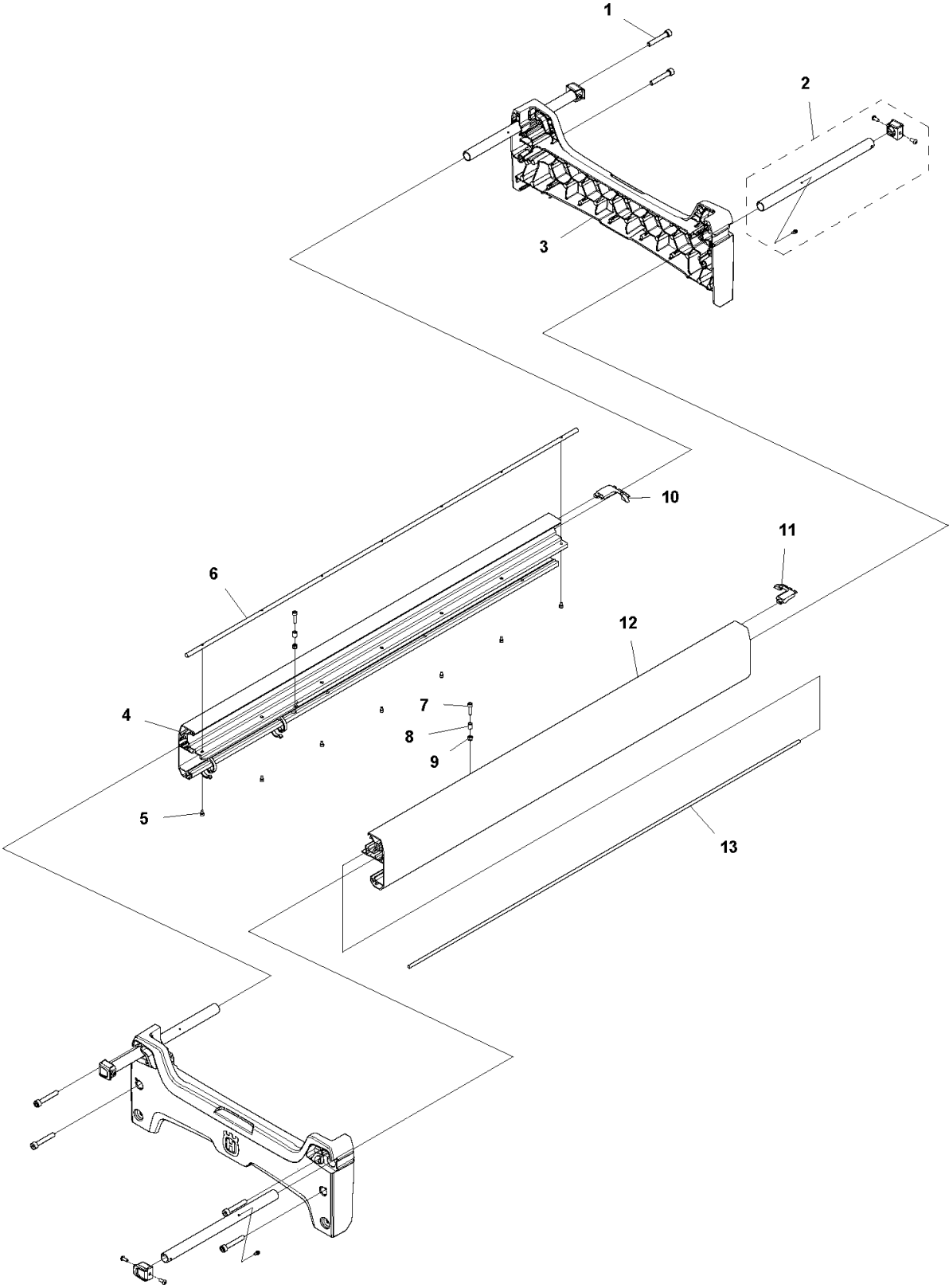
Ref	Part No	Description	Remark	QTY	KIT
1	732 25 16-01	HEXAGON LOCKING NUT		6	
2	586 33 26-01	MOTOR SUPPORT		1	
3	725 53 72-01	SCREW IHSCM		10	
4	725 24 51-71	SCREW EHHM		4	
5	734 11 63-01	WASHER		4	
6	588 80 40-01	SCREW IHSCM		3	
7	725 24 63-51	SCREW EHHM		1	
8	584 14 69-01	WASHER		1	
9	725 54 47-01	SCREW IHSCM		1	
10	581 09 90-01	CUTTER ARM		1	
11	588 85 07-01	WASHER		1	
12	585 59 50-05	KNOB		1	
13	581868801	TBD		1	
14	725 53 27-01	SCREW IHSCM		7	
15	588 91 57-01	HANDLE KIT		1	
16	586 38 00-01	HANDLE		1	
17	585 59 50-02	KNOB		1	
18	522 77 44-03	KNOB		1	
19	581 27 99-01	CUTTER ARM		1	
20	588 91 85-01	PLATE KIT		1	27
21	587 40 94-01	AXLE		1	27
22	579 48 28-01	E-CLIP		1	27
23	725 24 65-51	SCREW EHHM		2	27
24	725 24 59-71	SCREW		2	27
25	731 23 18-01	HEXAGON NUT		2	27
26	588 91 84-01	SPRING		1	27
27	586 83 02-02	JOINT		1	



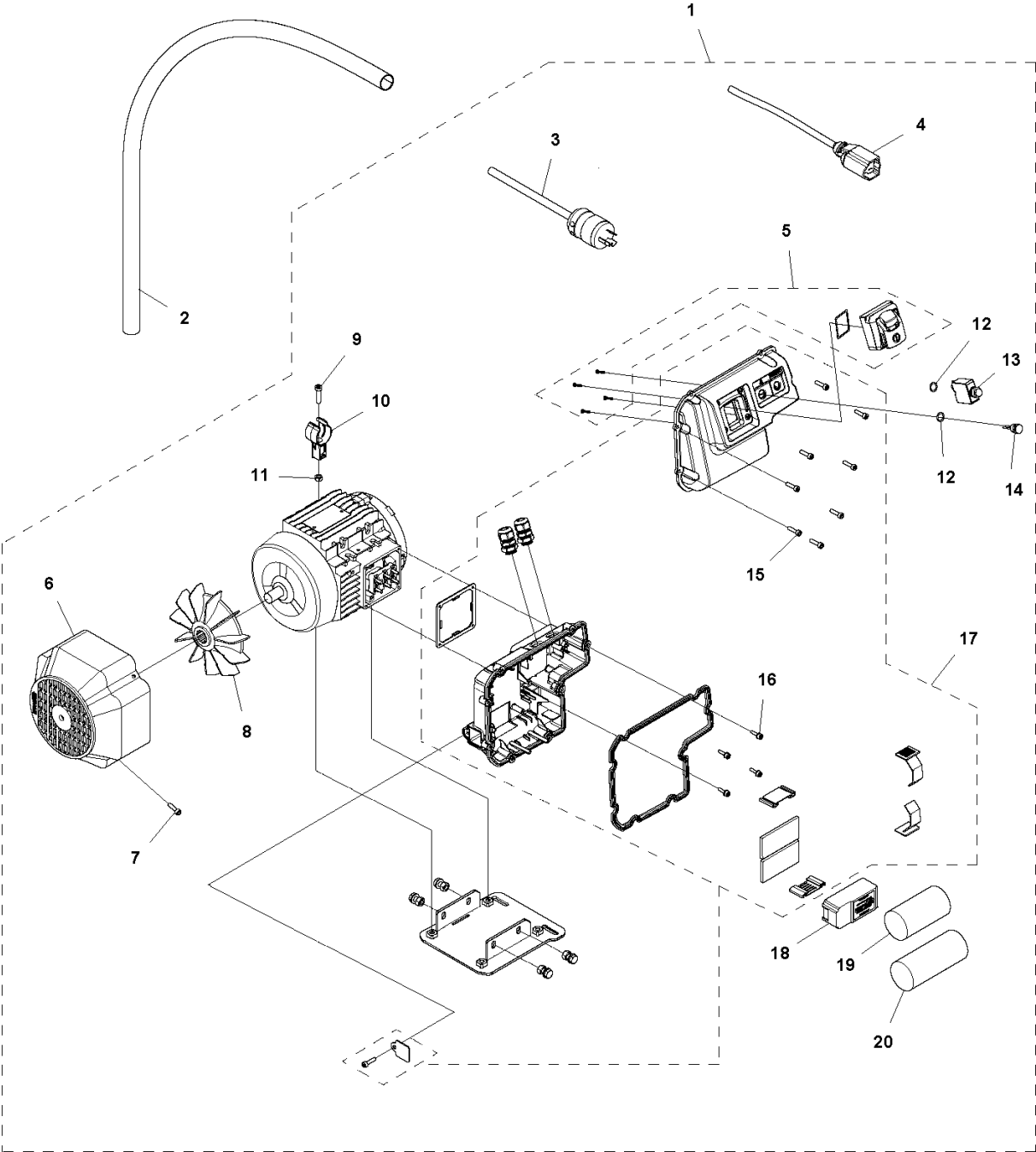
FIXED STANDS

TS70, 2015-07

Ref	Part No	Description	Remark	QTY KIT
1	579 59 64-02	STAND		1
2	725 24 59-71	SCREW		4
3	585 59 50-03	KNOB		4
4	721 68 01-51	SPRING COTTER		2
5	510 22 54-27	WHEEL		2
6	734 11 72-01	WASHER		4
7	579 59 63-01	PROFILE		4
8	585 52 97-01	CAP		4



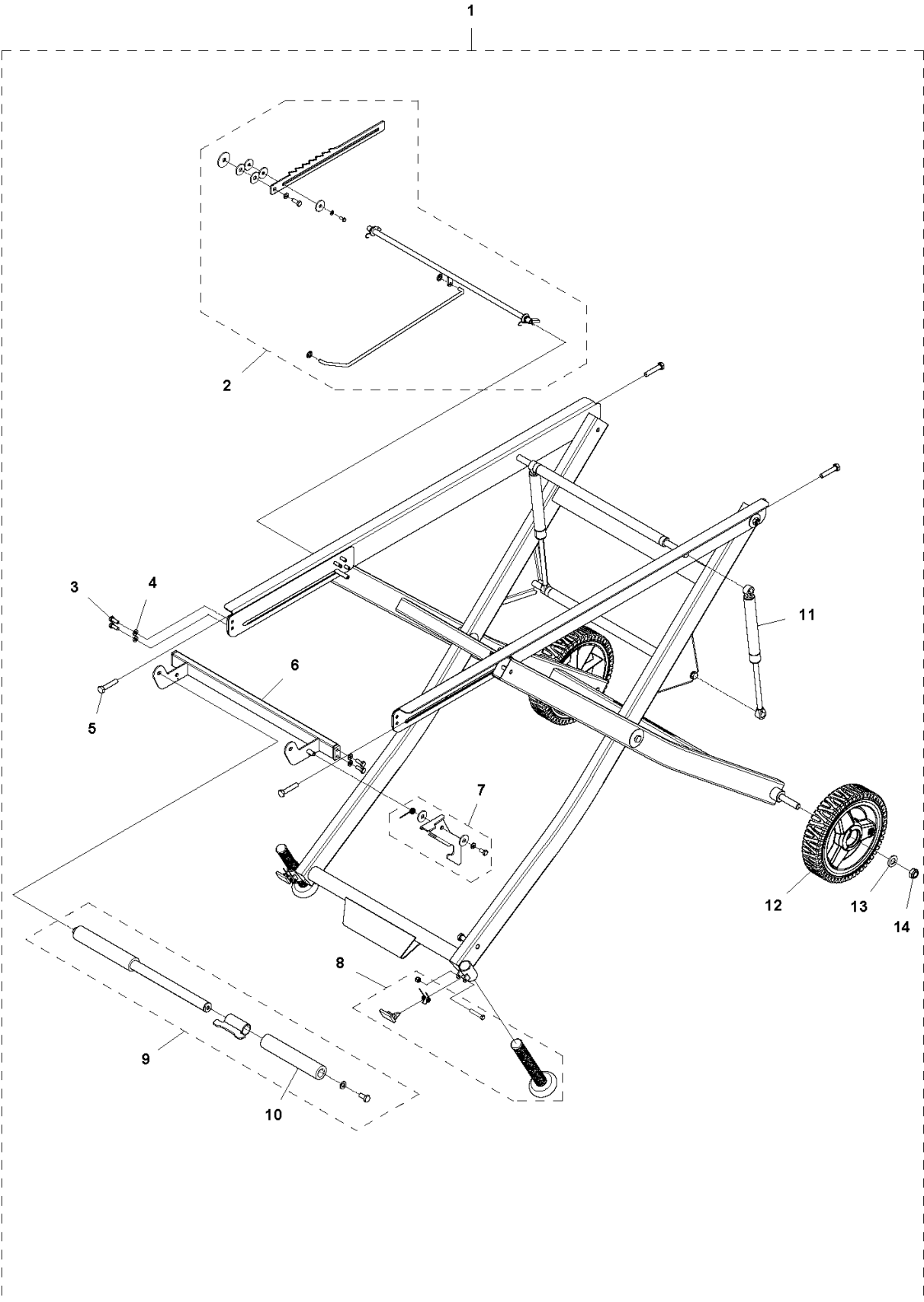
Ref	Part No	Description	Remark	QTY KIT
1	725 54 61-01	SCREW IHSCM		8
2	585 60 56-01	HANDLE		1
3	585 23 61-01	GABLE		2
4	584 92 99-02	PROFILE		1
5	588 71 93-01	SCREW IHSCM		7
6	585 54 38-01	ROD		1
7	725 53 31-01	SCREW IHSCM		2
8	574 61 06-03	SLEEVE		2
9	732 25 14-01	HEXAGON LOCKING NUT		2
10	585 51 92-01	PLUG		1
11	585 51 93-01	PLUG		1
12	584 93 00-02	PROFILE		1
13	585 54 40-01	ROD		1



## MOTOR

TS70, 2015-07

Ref	Part No	Description	Remark	QTY KIT
1	585 22 54-04	MOTOR		1
2	585 54 54-02	HOSE		1
3	586 36 93-02	CABLE		1
4	525 81 45-02	CABLE		1
5	588 92 96-01	SWITCH KIT		1
6	589 23 41-01	FAN COVER		1
7	724 13 23-01	SCREW CRPANM		4
8	589 23 45-01	FAN		1
9	725 53 70-01	SCREW IHSCM		1
10	585 54 53-01	CLIP		1
11	732 25 16-01	HEXAGON LOCKING NUT		1
12	587 92 36-01	O-RING		2
13	585 54 41-02	CIRCUIT BREAKER		1
14	580 88 16-03	LAMP		1
15	725 53 31-05	SCREW IHSCM		9
16	725 52 93-01	SCREW IHSCM		4
17	588 91 91-01	ELECTRONIC BOX		1
18	586 29 40-02	ELECTRONIC BOX		1
19	585 54 44-01	CAPACITOR		1
20	585 54 45-01	CAPACITOR		1



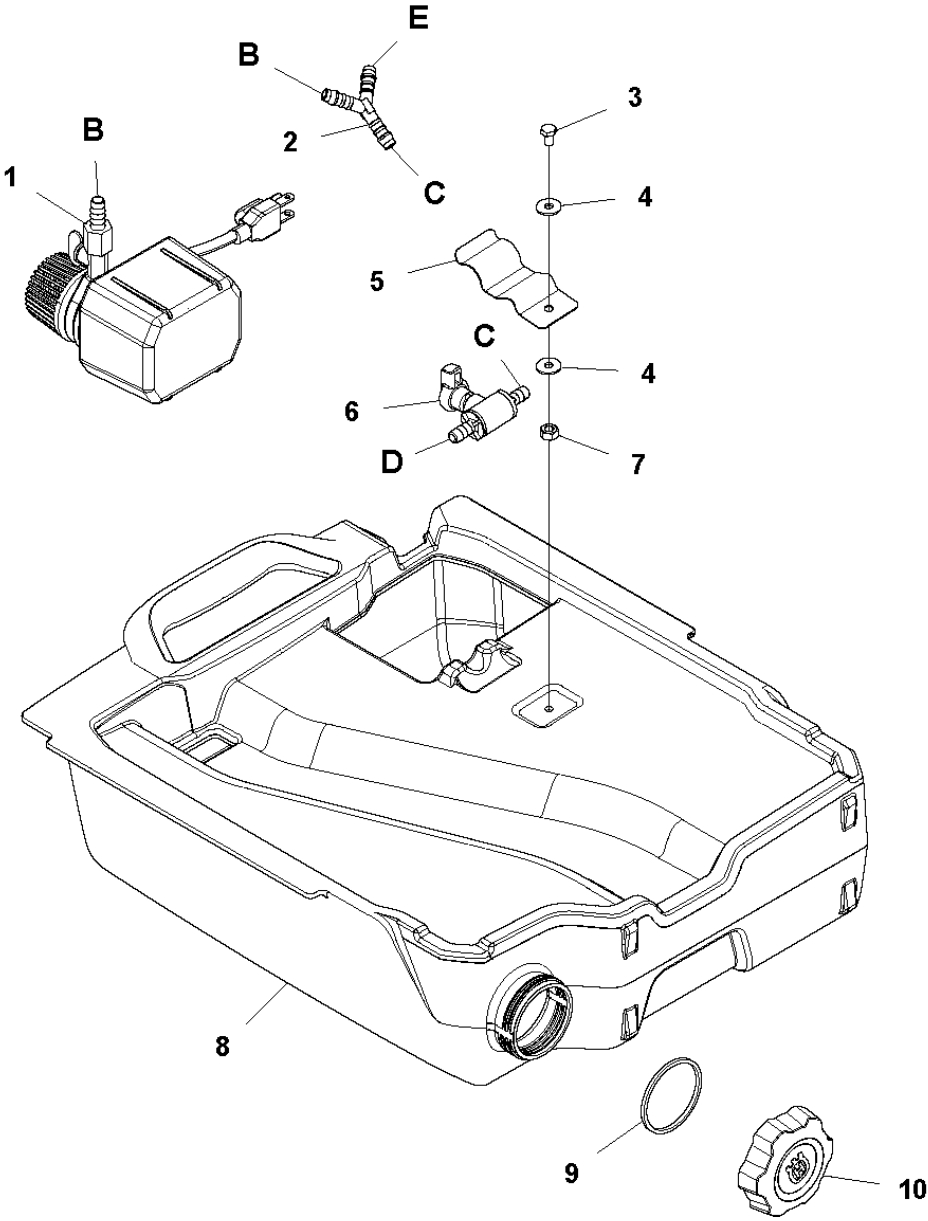
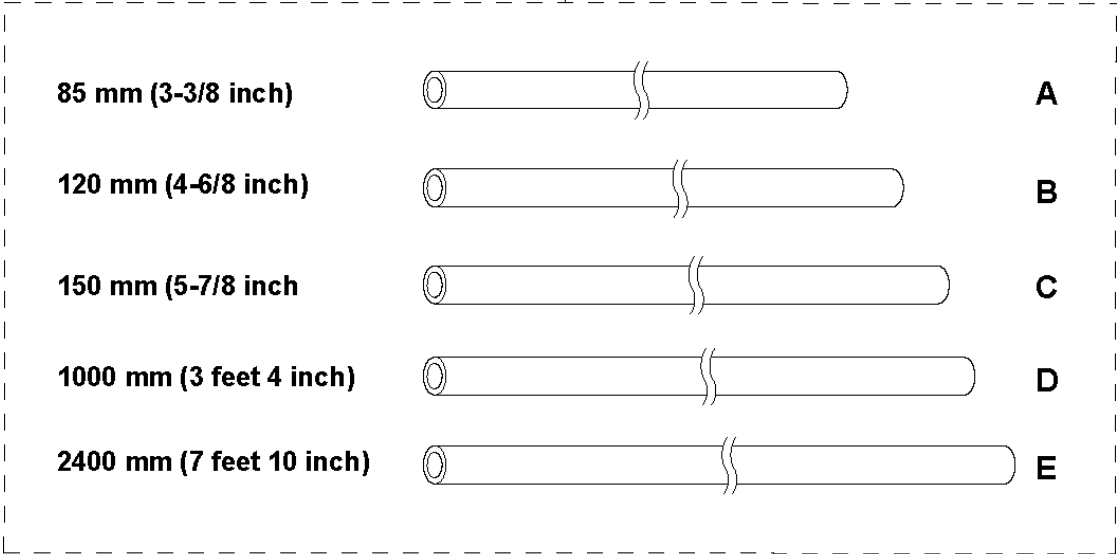


## STANDS

TS70, 2015-07

Ref	Part No	Description	Remark	QTY	KIT
1	585 58 16-02	STAND		1	1
2	589 02 20-01	LOCK		1	1
3	725 23 66-71	SCREW EHHM		6	1
4	734 11 52-01	WASHER		6	1
5	725 24 59-71	SCREW		4	
6	581 22 12-01	HANDLE BAR		1	1
7	589 02 21-01	LOCKING LEVER		1	1
8	589 02 27-01	SUPPORT LEG		4	1
9	589 02 22-01	HANDLE KIT		1	1
10	581 22 64-01	HANDLE		2	1,8
11	579 53 20-01	GAS SPRING		2	1
12	532 40 12-73	WHEEL & TIRE ASSY, FRONT		2	1
13	734 11 78-01	WASHER		2	1
14	732 25 22-01	HEXAGON LOCKING NUT		2	1

11



## WATER TANK

TS70, 2015-07

Ref	Part No	Description	Remark	QTY KIT
1	586 66 83-01	PUMP		1
2	585 24 55-01	HOSE CONNECTOR		1
3	725 23 68-71	SCREW EHHM		1
4	734 11 54-41	WASHER		2
5	587 51 17-01	CLIP		1
6	586 69 51-01	VALVE ASSY		1
7	731 23 16-01	HEXAGON NUT		1
8	579 25 40-01	TANK		1
9	581 55 97-01	SEALING		1
10	579 25 61-01	CAP		1
11	585 56 62-02	TUBE		1