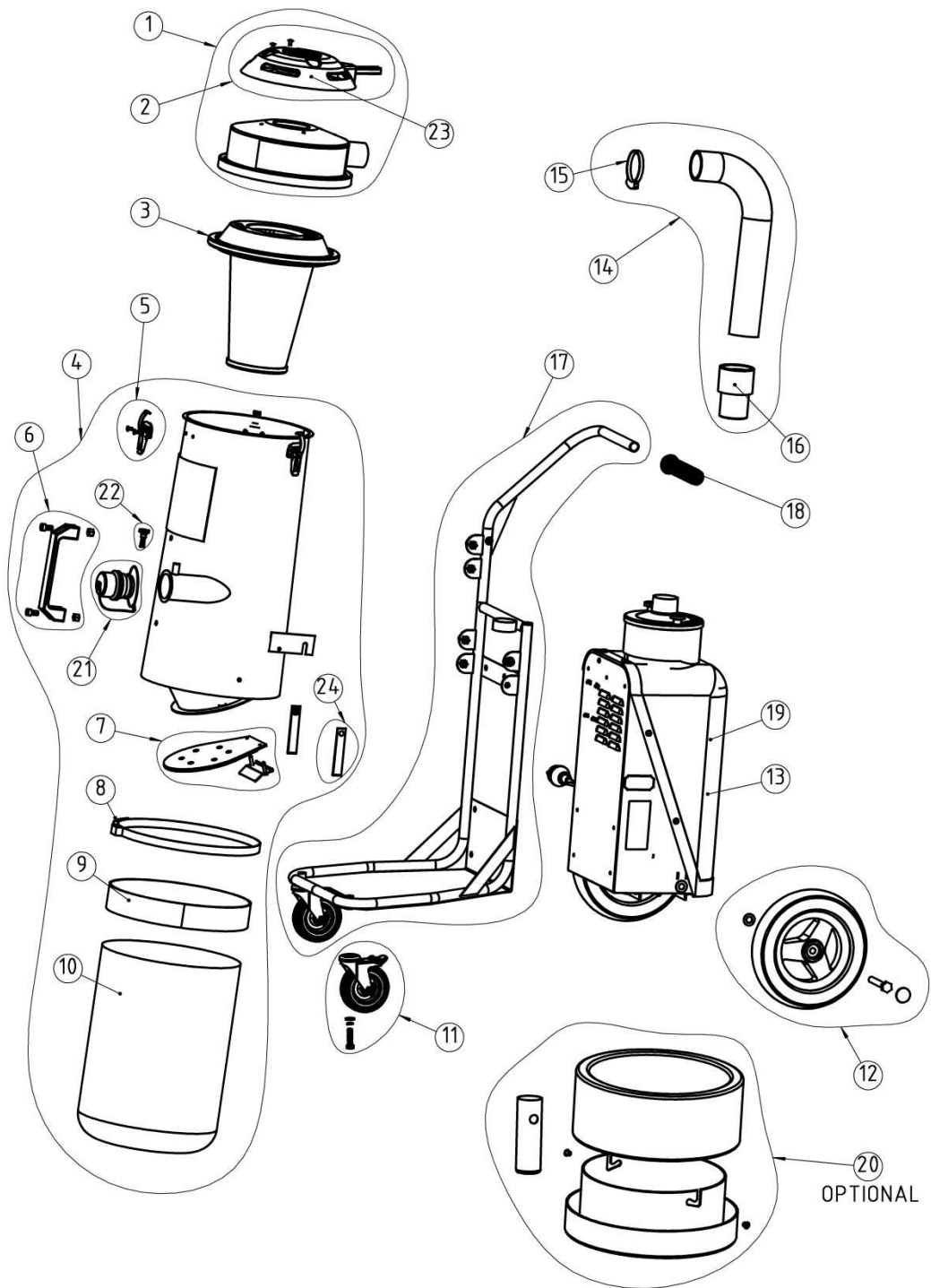


# S13 230V, S13 120V

EXPLODED VIEW



Number 230V  
Number 120V

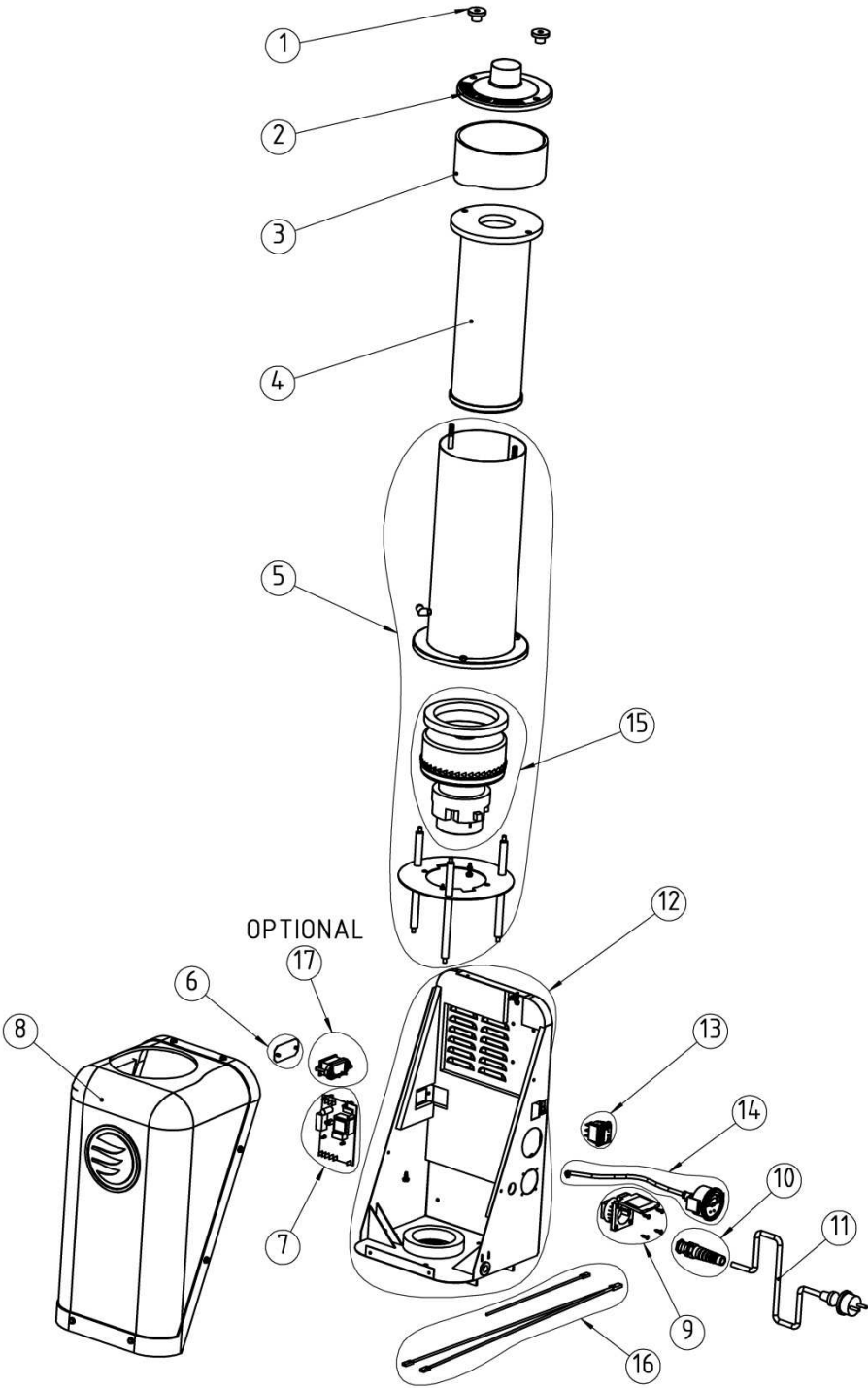
967754601  
967715901

S13  
 230V,  
 S13  
 120V EXPLODED VIEW

<b>Pos</b>	<b>P.E Article Number</b> (valid until 2018-02-28)	<b>HVA Article Number</b> (valid from 2017-11-27)	<b>Description</b>	<b>QTY</b>
1	201000117	590476201	TOP COVER ASSEMBLY PACKING (ex.S13)	1
2	201000118	590415001	CLEAN UNIT KIT	1
3	201000016	590397401	FILTER	1
4	201000119	590476301	TANK COMPLETE (ex.S13)	1
5	200600799	590396401	HOLDER KIT	3
6	201000120	590398801	HANDLE KIT	1
7	201000116	590398601	FLAP ASSEMBLY KIT	1
8	201100140	590401801	BELT PACKING	1
9	201100141	590402301	ANTI-SKID PACKING	1
10	12760008	590396101	PLASTIC BAG 25PACK	1
11	200800152	590397201	FRONT WHEEL KIT	1
12	200800151	590397001	REAR WHEEL KIT	1
13	201100146	590476701	ENGINE PACK 230V PACKING	1
14	201000123	590399001	HOSE KET S13 PACKING	1
15	201100137	590400801	HOSE CLAMP60-65MM PACKING	1
16	201100125	590438101	HOSE END A51B PACKING	1
17	201000124	590399201	WAGON COMPLETE PACKING	1
18	201100138	590401301	HANDLE WAGON (ex. S13) PACKING	1
19	201100146a	590477101	ENGINE PACK 120V PACKING	1
20	201000115	590398501	LONGOPAC KIT PACKING	1
21	201000122	590415101	INLET SEAL COMPLETE SET PACKING	1
22	201100139	590401601	LOCKING DEVICE PACKING	1
23	201000670	590399601	TOP COVER KIT ex. CLEAN UNIT	1
24	201500174	590402701	BELT HOLDER KIT (ex.S13)	1

# S13 230V

MOTOR PACKAGE

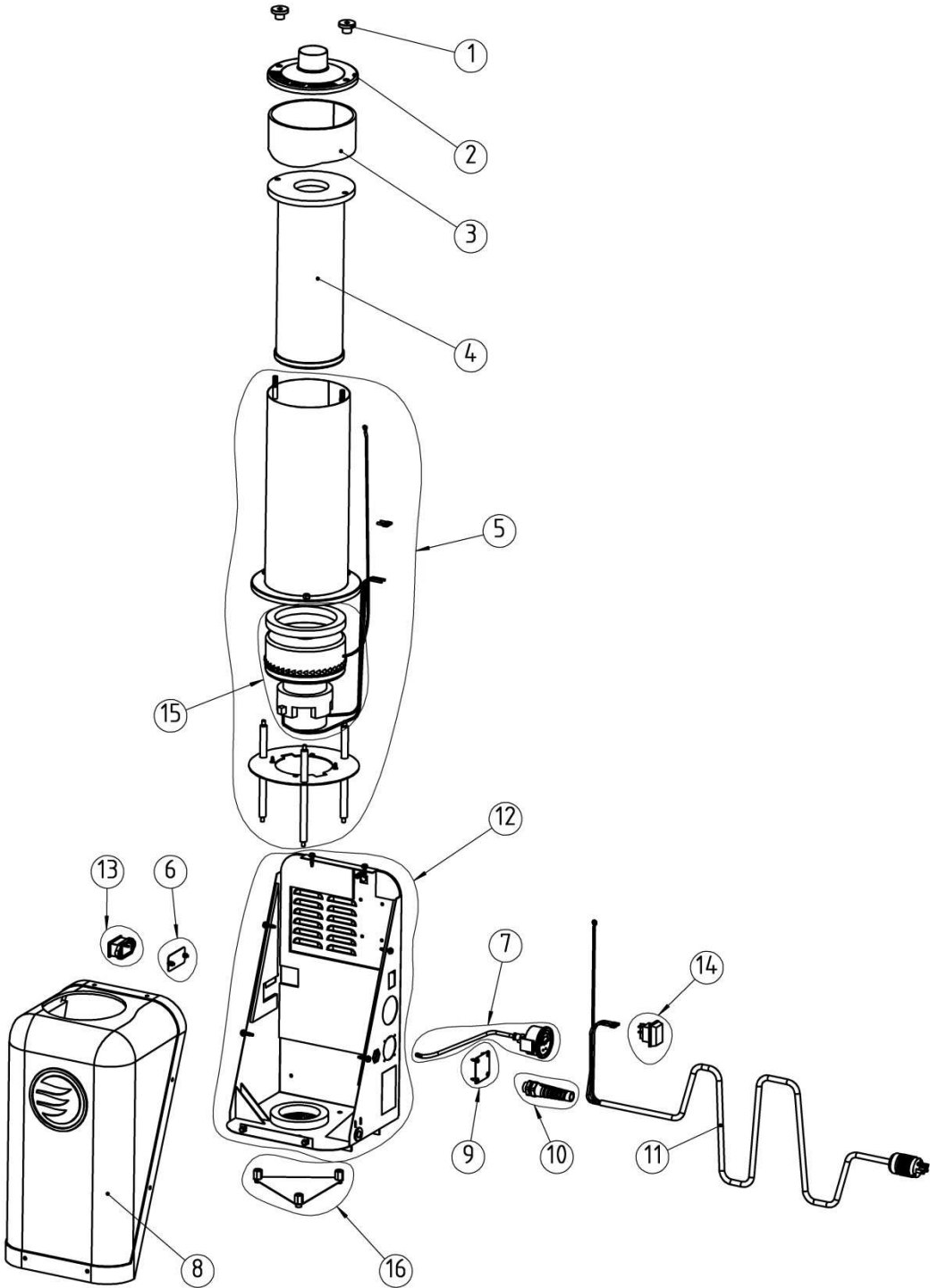


S13  
230V MOTOR PACKAGE

<b>Pos</b>	<b>P.E Article Number</b> (valid until 2018-02-28)	<b>HVA Article Number</b> (valid from 2017-11-27)	<b>Description</b>	<b>QTY</b>
1	201100128	590400701	NUT	2
2	201000121	590398901	FILTER COVER KIT	1
3	201100127	590400401	SEALING PACKING	1
4	200700070	590429801	HEPA FILTER S-LINE	1
5	201100144	590415501	ENGINE TUBE KIT (WITH NIPPLE ) PACKING	1
6	201100129	590476601	COUNTER COVER PACKING	1
7	201000764	590399801	CIRCUIT BOARD KIT	1
8	200600482	590476101	ENGINE COVER, KIT	1
9	200600408	590396301	ELECTRICAL OUTLET KIT	1
10	201000141	590399501	CABLE FIX KIT (PG11)	1
11	201100132	590401001	CORD SET PACKING	1
12	201000134	590476501	CHASSI COMPLETE KIT	1
13	201100236	590403001	SWITCH PACKING	1
14	200700413	590396701	MANOMETER, KIT	1
15	200800060	590396901	MOTOR KIT 230V KIT	1
16	201100147	590402401	CABLE KIT (ex.S13)	1
17	201000133	590415301	COUNTER KIT (OPTIONAL S13)	1

# S13 120V

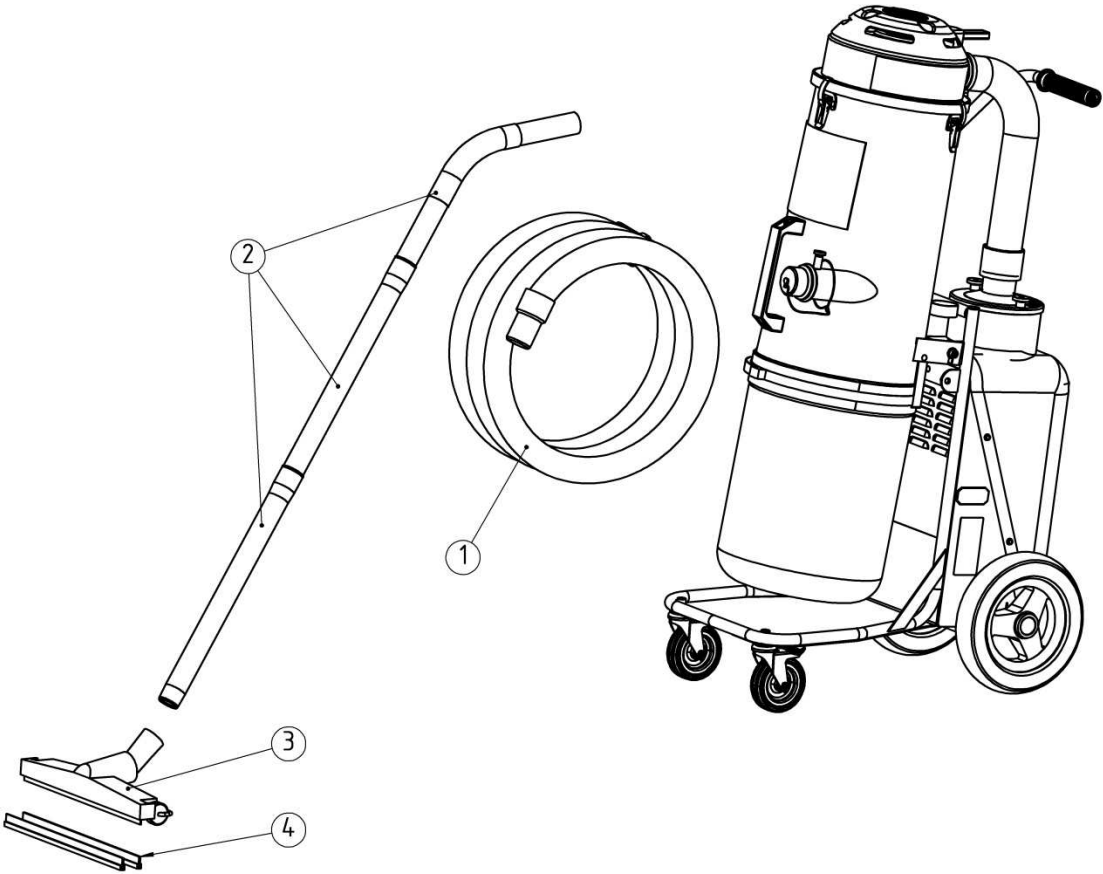
MOTOR PACKAGE



S13  
120V MOTOR PACKAGE

<b>Pos</b>	<b>P.E Article Number</b> (valid until 2018-02-28)	<b>HVA Article Number</b> (valid from 2017-11-27)	<b>Description</b>	<b>QTY</b>
1	201100128	590400701	NUT	2
2	201000121	590398901	FILTER COVER KIT	1
3	201100127	590400401	SEALING PACKING	1
4	200700070a	590429801	HEPA FILTER S-LINE USA	1
5	201100144a	590415701	ENGINE TUBE KIT (WITH NIPPLE ) PACKING US	1
6	201100129a	590415601	COUNTER COVER PACKING(STEEL VERSION)	1
7	200700413	590396701	MANOMETER, KIT	1
8	200600482a	590476901	ENGINE COVER ETL VERSION, KIT	1
9	201100148a	590477201	OUTLET COVER KIT (STEEL VERSION)	1
10	201100150	590402501	CABLE FIX KIT (PG13)	1
11	201500176	590402801	CORD SET PACKING (NEMA 5-15P)	1
12	201000134a	590477001	CHASSI ETL VERSION COMPLETE KIT	1
13	201000133	590415301	COUNTER KIT (OPTIONAL S13)	1
14	201100151	590402601	SWITCH PACKING 120V	1
15	200800227	590397301	MOTOR KIT 120V 1200W KIT	1
16	201500175	590476801	BOTTOM COVER KIT	1

# ACCESSORIES S13



S13 ACCESSORIES

<b>Pos</b>	<b>P.E Article Number</b> (valid until 2018-02-28)	<b>HVA Article Number</b> (valid from 2017-11-27)	<b>Description</b>	<b>QTY</b>
1	200900281	590437201	HOSE 38mm x 4m	1
2	6324034	590428601	KC004 SUCTION PIPE	1
3	1326054	590428401	GRD370 FLOOR TOOL	1
4	1340011	591687601	D370A RUBBER BLADES	1