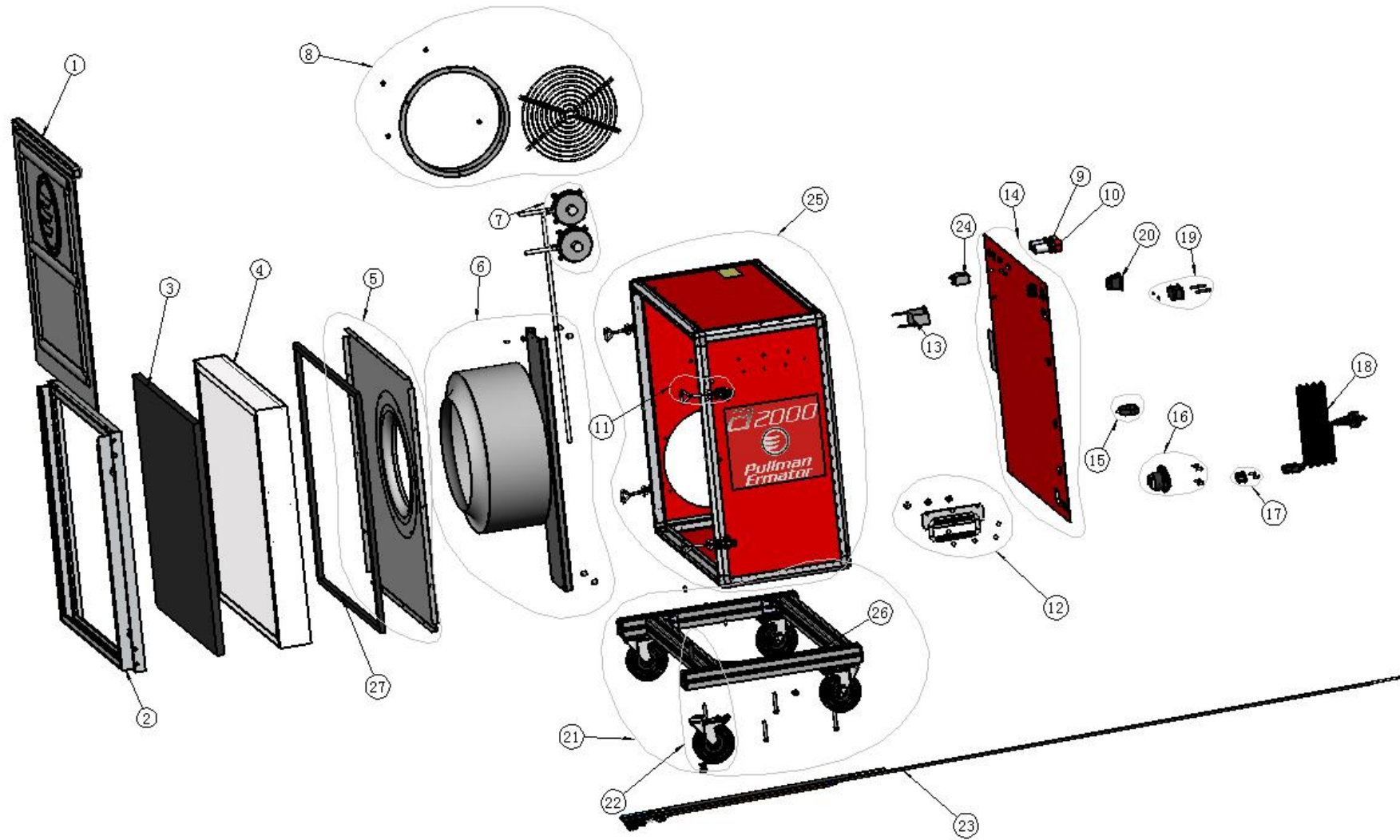


A2000



Pos	P.E Article Number (valid until 2018-02-28)	HVA Article Number (valid from 2017-11-27)	Description	QTY
1	201100209	590480701	PRE-FILTER PROTECT COVER (ex.A2000)	1
2	201100214	592016901	FRONT FRAME COVER KIT (ex. A2000)	1
3	201000015	590430002	PRE-FILTER (A2000) (20-pcs)	1
4	10085	590427701	FILTER (A2000)	1
5	201200288	592042601	FRONT FAN INLET COVER KIT (ex.A2000)	1
6	201200284	592042401	FAN ASSEMBLY KIT (ex.A2000)	1
7	201000428	590463901	PRESSURE SENSOR KIT (0-500) (ex.A2000)	2
8	201000427	590463801	AIR OUTLET KIT (ex.A2000)	1
9	201200275	592041901	ALARM YELLOW LAMP 230 KIT	1
10	201100228	592017801	SOUND ALARM 80dB RED LAMP KIT	1
11	201100229	590464301	LOCK KIT (ex.A2000)	4
12	201000338	590463601	HANDLE KIT (ex.A2000)	2
13	201200290	592042701	CAPACITANCE 12uF KIT (ex.A2000)	1
14	201200287	592042501	BACKSIDE PLATE KIT (ex.A2000)	1
15	201000422	590463701	CABLE FIX KIT	1
16	201100212	592016701	ELECTRICAL OUTLET KIT (ex.A2000 230V)	1
17	201000339	591981401	POWER INLET KIT (ex. A-LINE)	1
18	201100234	592018001	POWER CORD KIT 230V	1
19	201000133	590415301	COUNTER KIT	1
20	201100236	590403001	SWITCH KIT	1
21	201000337	590463501	CARRIER KIT (ex.A2000)	1
22	201000432	590464001	WHEEL KIT (ex.A2000)	4
23	201100239	592018301	CABLE KIT (ex. A2000)	1
24	201000430a	591985301	RELAY KIT	1
25	201000429a	591985001	A2000 MAIN BOX KIT	1
26	201000280	590463401	WHEEL FRAME KIT	1
27	201200291	590464501	DISTANCE SEALING KIT (ex.A2000)	1