

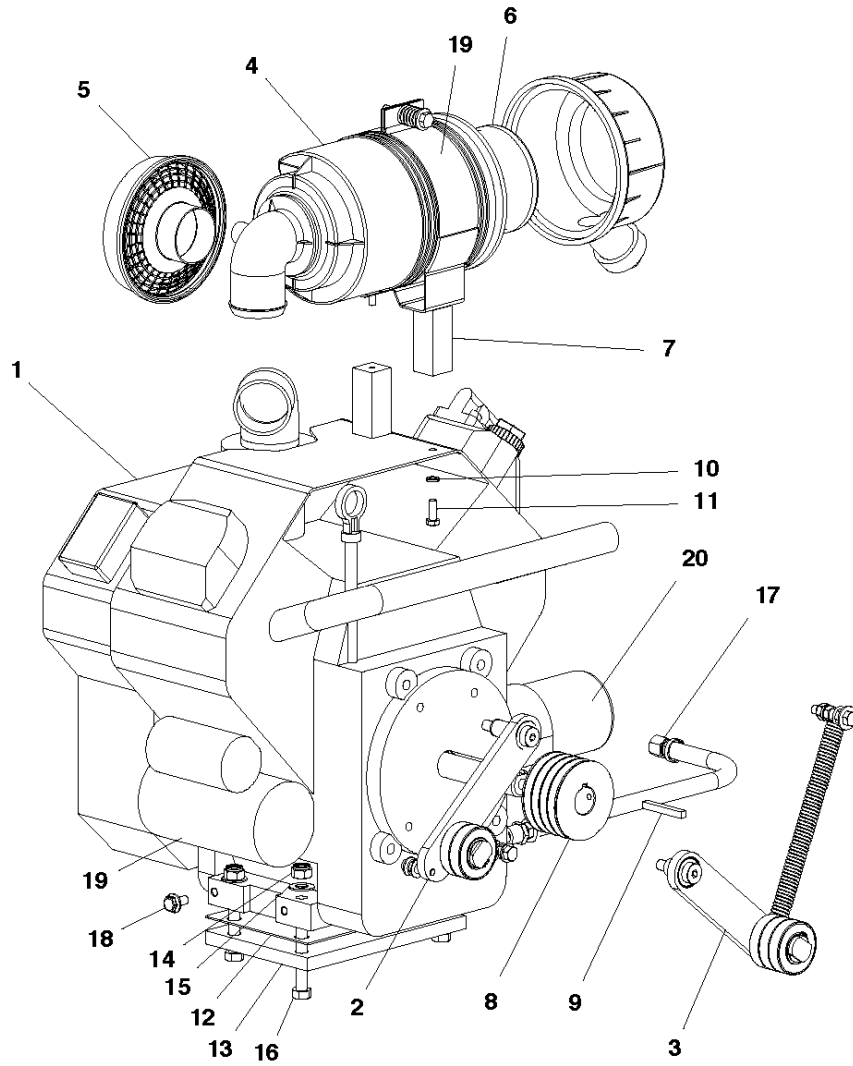


SPARE PARTS LIST

EARLY ENTRY SAWS

SOFF CUT 4000, 2015-10

A SOFF CUT X4000
ENGINE ASSEMBLY

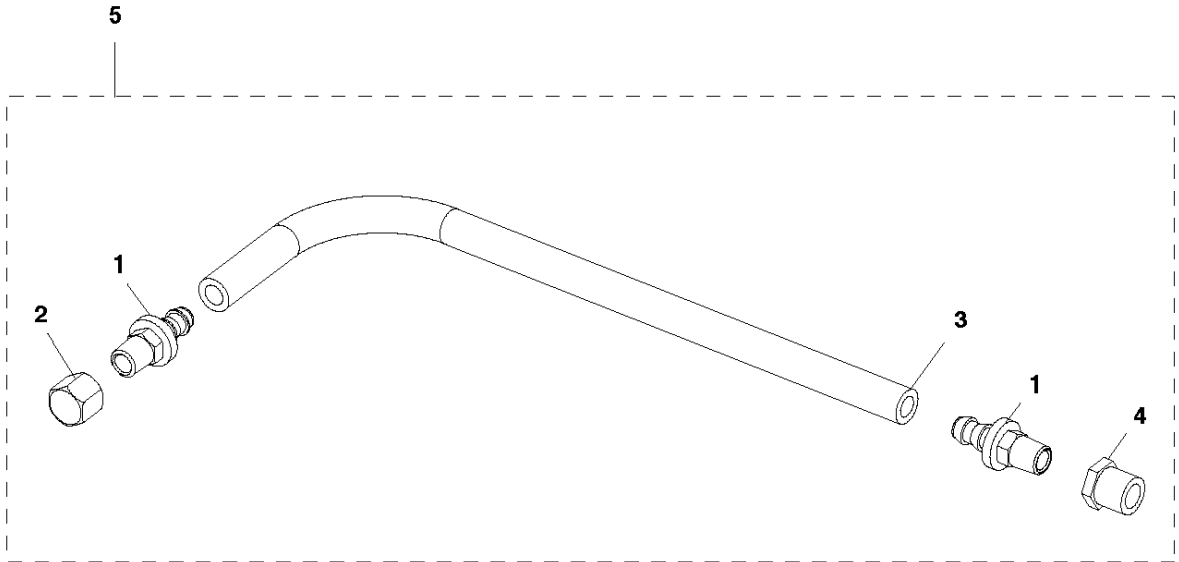


ENGINE

SOFF CUT 4000, 2015-10

Ref	Part No	Description	Remark	QTY KIT
1	586 60 11-02	ENGINE		1
2	510 27 18-03	ARM		1
3	510 27 17-03	BLADE		1
4	505 83 61-01	AIR CLEANER		1
5	505 83 63-01	HOOD		1
6	505 48 23-06	FILTER	2-pack	1
7	505 79 33-01	BRACE		2
8	505 83 46-01	PULLEY		1
9	521 89 52-01	KEY		1
10	505 63 28-01	WASHER		4
11	505 62 75-01	BOLT		4
12	505 79 32-01	PLATE		1
13	505 79 31-01	MOTOR		1
14	541 20 57-26	NUT		4
15	510 30 21-01	WASHER		4
16	505 60 15-01	BOLT		4
17	505 85 75-07	KIT		1
18	505 79 56-01	BOLT		1
19	505 48 43-02	STARTER		1
20	505 79 74-01	OIL FILTER		1

B SOFF CUT X4000
KIT-OIL DRAIN

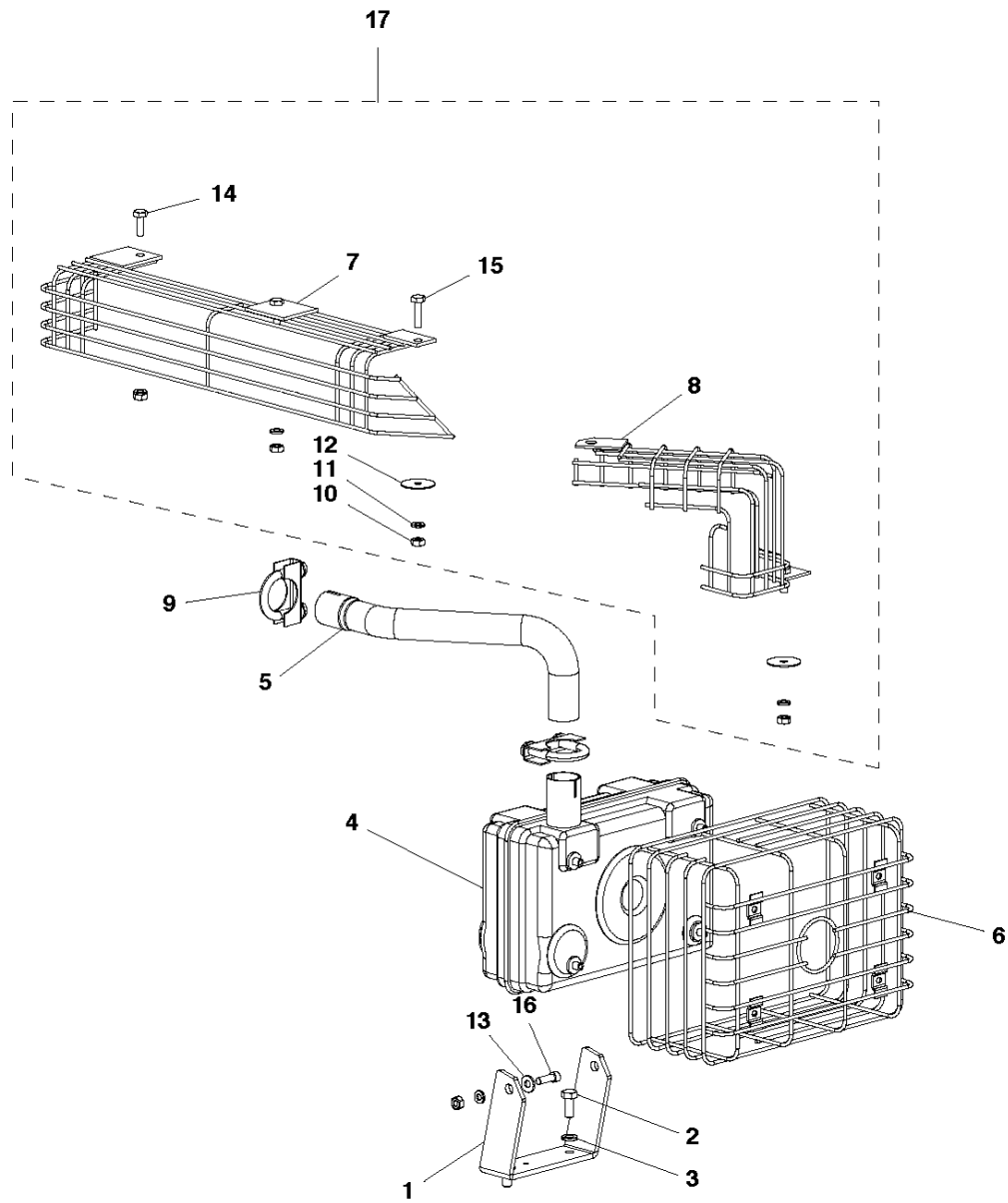


OIL DRAIN

SOFF CUT 4000, 2015-10

Ref	Part No	Description	Remark	QTY KIT
1	505 73 86-01	FITTING		2
2	505 77 66-01	CAP		1
3	505 73 85-01	HOSE		1
4	505 79 64-01	BUSHING		1
5	505 85 75-07	KIT		1

C SOFF CUT X4000
EXHAUST SYSTEM ASSEMBLY

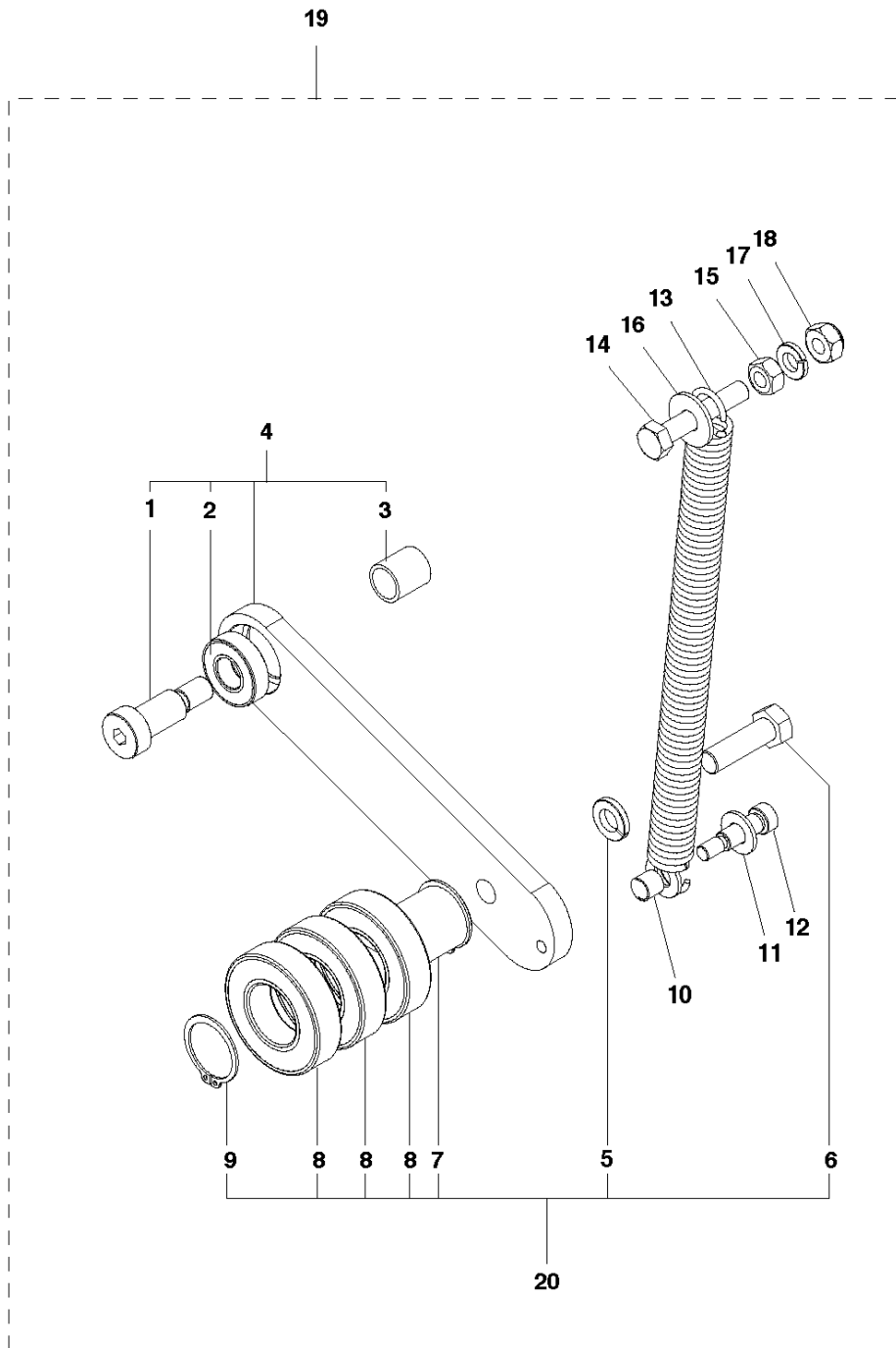


EXHAUST

SOFF CUT 4000, 2015-10

Ref	Part No	Description	Remark	QTY KIT
1	505 81 86-01	BRACKET		1
2	539 97 69-34	SCREW		2
3	505 63 30-01	WASHER		2
4	505 83 58-01	MUFFLER		1
5	505 83 45-01	ELBOW		1
6	505 83 54-01	GUARD		1
7	505 83 21-01	MUFFLER GUARD		1
8	505 83 22-01	MUFFLER GUARD		1
9	505 74 32-01	CLAMP		2
10	505 63 19-01	NUT		6
11	505 63 28-01	WASHER		6
12	505 72 49-01	WASHER		2
13	505 63 20-01	WASHER		2
14	505 62 75-01	BOLT		3
15	505 72 73-01	BOLT		1
16	505 62 78-01	BOLT		2
17	505 87 05-01	EXHAUST PIPE	Guard, Exhust manifold & elbow kit	1

D SOFF CUT X4000
BLADE IDLER PULLEY

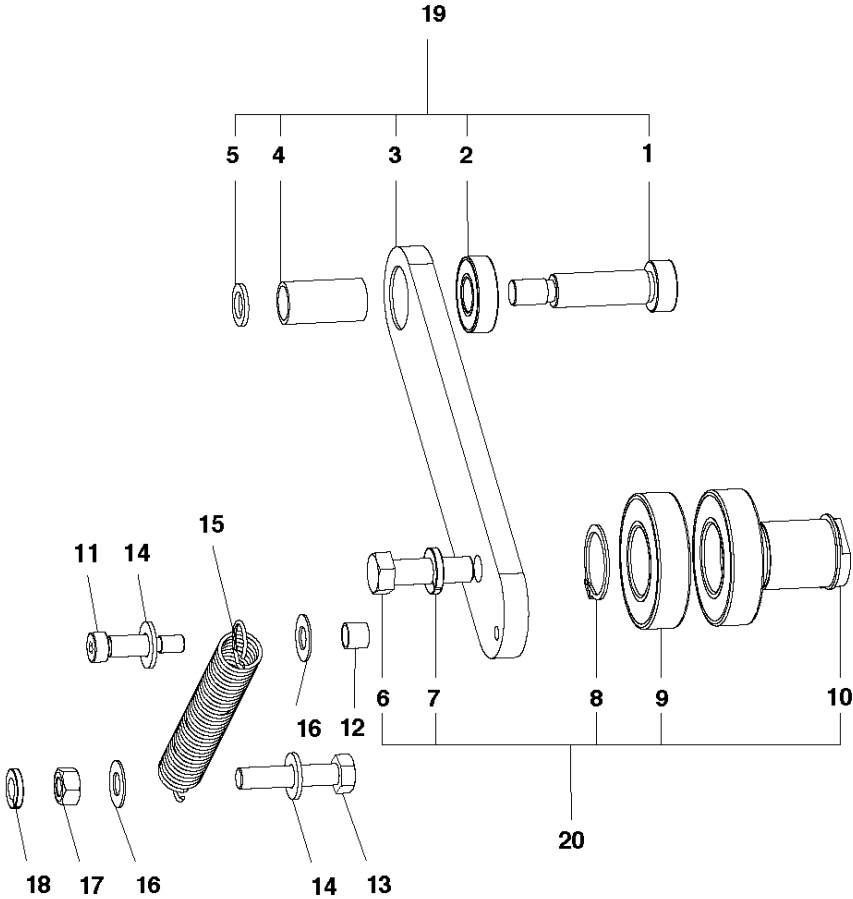


BLADE IDLER PULLEY

SOFF CUT 4000, 2015-10

Ref	Part No	Description	Remark	QTY	KIT
1	523 05 96-05	BOLT		1	4
2	505 65 48-01	BALL BEARING		1	4
3	523 05 94-01	SPACER		1	4
4	505 85 98-02	KIT		1	
5	505 73 10-01	WASHER		1	
6	539 97 69-41	SCREW		1	
7	505 70 68-01	BLADE		1	
8	505 73 63-01	WHEEL		3	
9	542 20 62-05	SNAP RING		2	
10	505 71 79-01	BUSHING		1	
11	539 99 01-88	WASHER		2	
12	505 72 64-01	BOLT		1	
13	505 73 73-01	SPRING		1	
14	505 72 85-01	BOLT		1	
15	539 99 01-96	NUT		1	
16	541 20 47-80	WASHER		1	
17	505 63 30-01	WASHER		1	
18	539 99 07-17	NUT		1	
19	510 27 17-03	BLADE		1	
20	505 48 45-01	PULLEY		1	

E SOFF CUT X4000
PUMP IDLER PULLEY

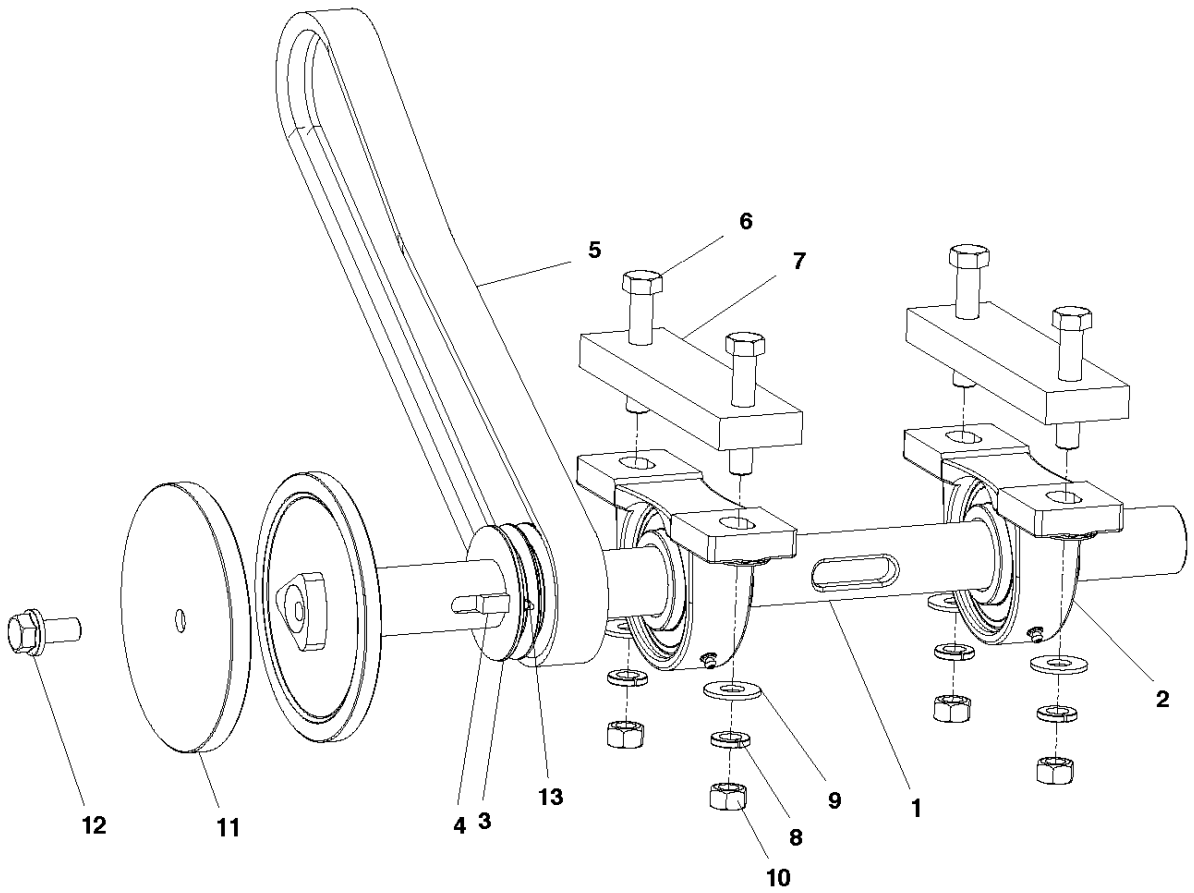


PUMP IDLER PULLEY

SOFF CUT 4000, 2015-10

Ref	Part No	Description	Remark	QTY	KIT
1	523 05 96-08	BOLT		1	19
2	505 65 48-01	BALL BEARING		1	19
3	505 81 59-02	ARM		1	19
4	523 05 94-02	SPACER		1	19
5	505 72 40-01	WASHER		1	19
6	539 97 69-41	SCREW		1	20
7	505 73 10-01	WASHER		1	20
8	542 20 62-05	SNAP RING		2	20
9	505 73 63-01	WHEEL		2	20
10	505 70 68-03	BLADE		1	20
11	505 72 64-01	BOLT		1	
12	505 71 79-01	BUSHING		1	
13	505 72 78-01	BOLT		1	
14	539 99 01-88	WASHER		2	
15	505 77 46-01	PUMP		1	
16	505 72 52-01	WASHER		2	
17	505 73 28-01	NUT		1	
18	505 63 30-01	WASHER		1	
19	505 85 99-02	KIT		1	
20	505 48 46-02	KIT		1	

F SOFF CUT X4000
BLADE SHAFT ASSEMBLY

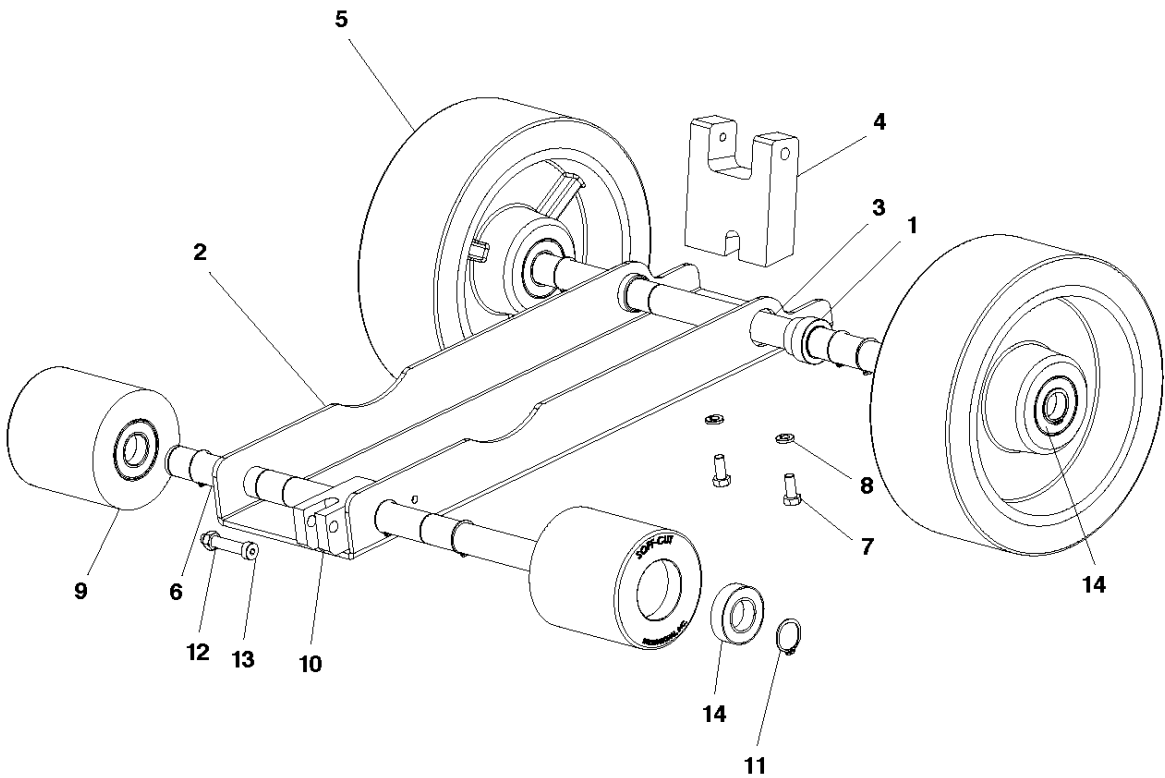


BLADE SHAFT

SOFF CUT 4000, 2015-10

Ref	Part No	Description	Remark	QTY KIT
1	505 57 32-04	SHAFT		1
2	505 83 41-01	BLADE SHAFT		2
3	587 92 98-01	PULLEY		1
4	510 32 69-01	KEY		1
5	505 48 39-02	BELT		1
6	505 72 71-01	BOLT		4
7	505 83 00-01	BEARING		2
8	505 73 11-01	WASHER		4
9	505 73 14-01	WASHER		4
10	541 20 48-36	NUT		4
11	505 49 15-05	WASHER		1
12	505 48 37-01	BOLT		1
13	542 02 05-51	KEY		3

G SOFF CUT X4000
FRONT WHEEL CARRIAGE

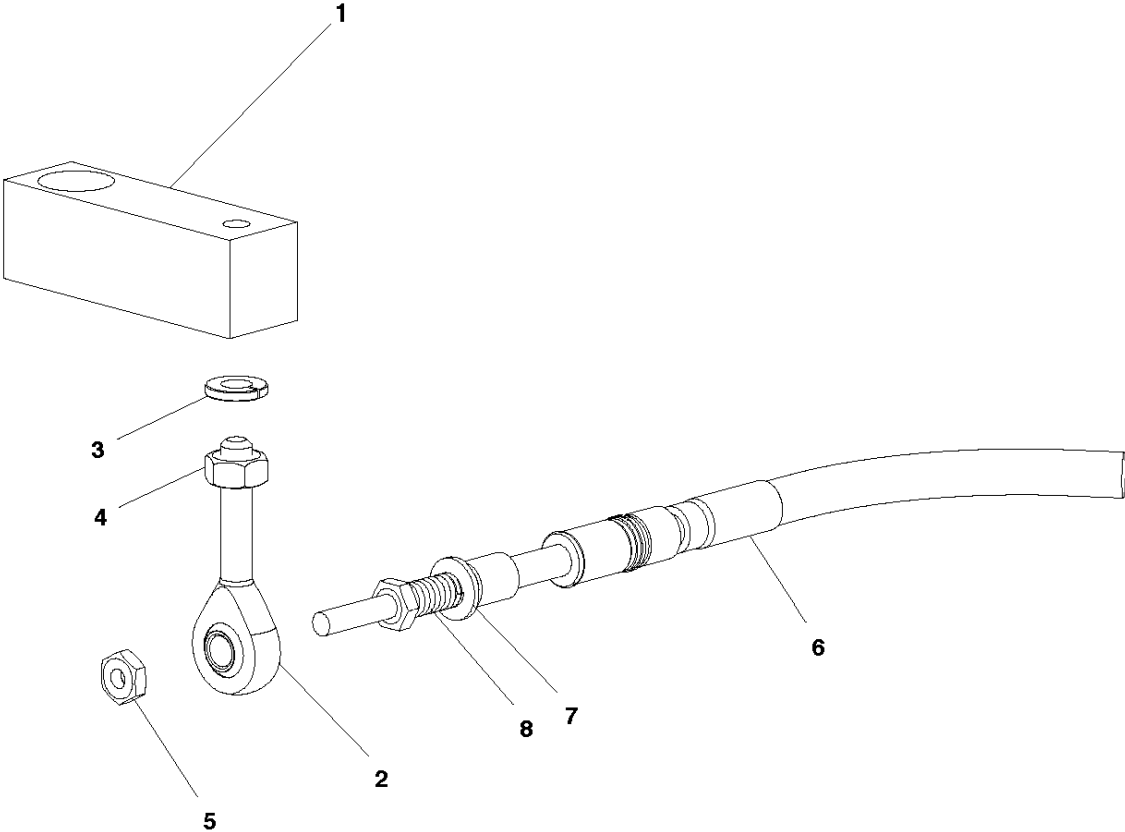


FRONT WHEEL CARRIAGE

SOFF CUT 4000, 2015-10

Ref	Part No	Description	Remark	QTY KIT
1	505 65 51-01	BUSHING		2
2	505 83 01-01	WHEEL		1
3	505 82 99-01	AXLE		1
4	505 81 91-01	BLOCK		1
5	505 86 45-01	WHEEL		2
6	505 81 73-01	AXLE		1
7	539 97 69-34	SCREW		2
8	505 63 30-01	WASHER		2
9	505 86 44-01	WHEEL		2
10	505 83 10-02	ACTUATOR		1
11	542 20 62-05	SNAP RING		8
12	539 99 07-17	NUT		1
13	505 83 35-01	BOLT		1
14	505 73 63-01	WHEEL	2 pcs incl. In each wheel.	8

J SOFF CUT X4000
KIT - SPEED CONTROL

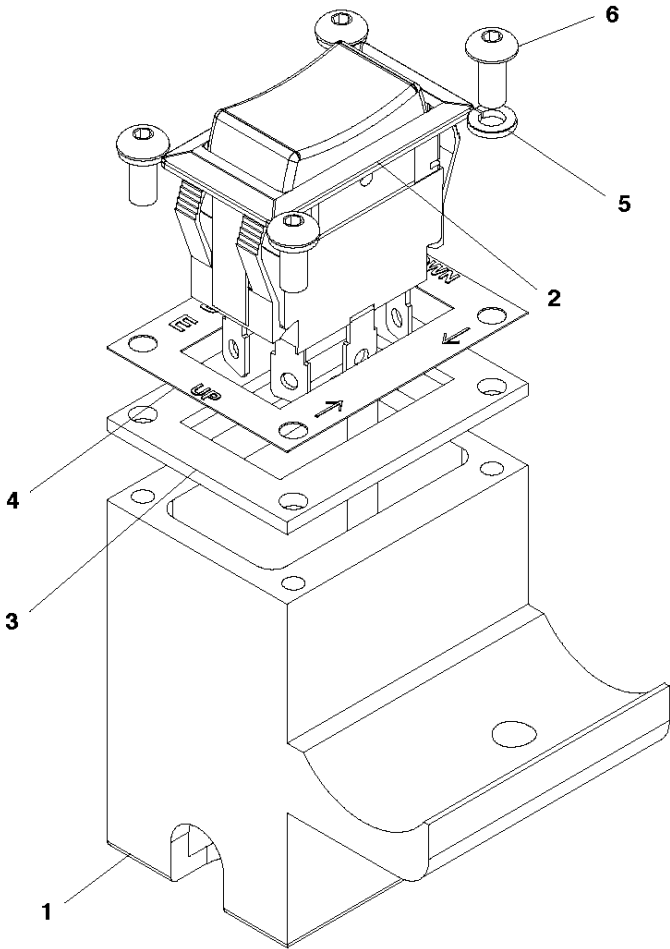


SPEED CONTROL

SOFF CUT 4000, 2015-10

Ref	Part No	Description	Remark	QTY KIT
1	505 81 71-01	ARM		1
2	505 74 34-01	ROD END		1
3	505 63 28-01	WASHER		1
4	505 73 29-01	NUT		1
5	505 73 30-01	NUT		1
6	505 82 30-01	CONTROL CABLE		1
7	505 63 53-01	WASHER		1
8	510 34 44-01	SPRING		1

L SOFF CUT X4000
KIT - ACTUATOR SWITCH

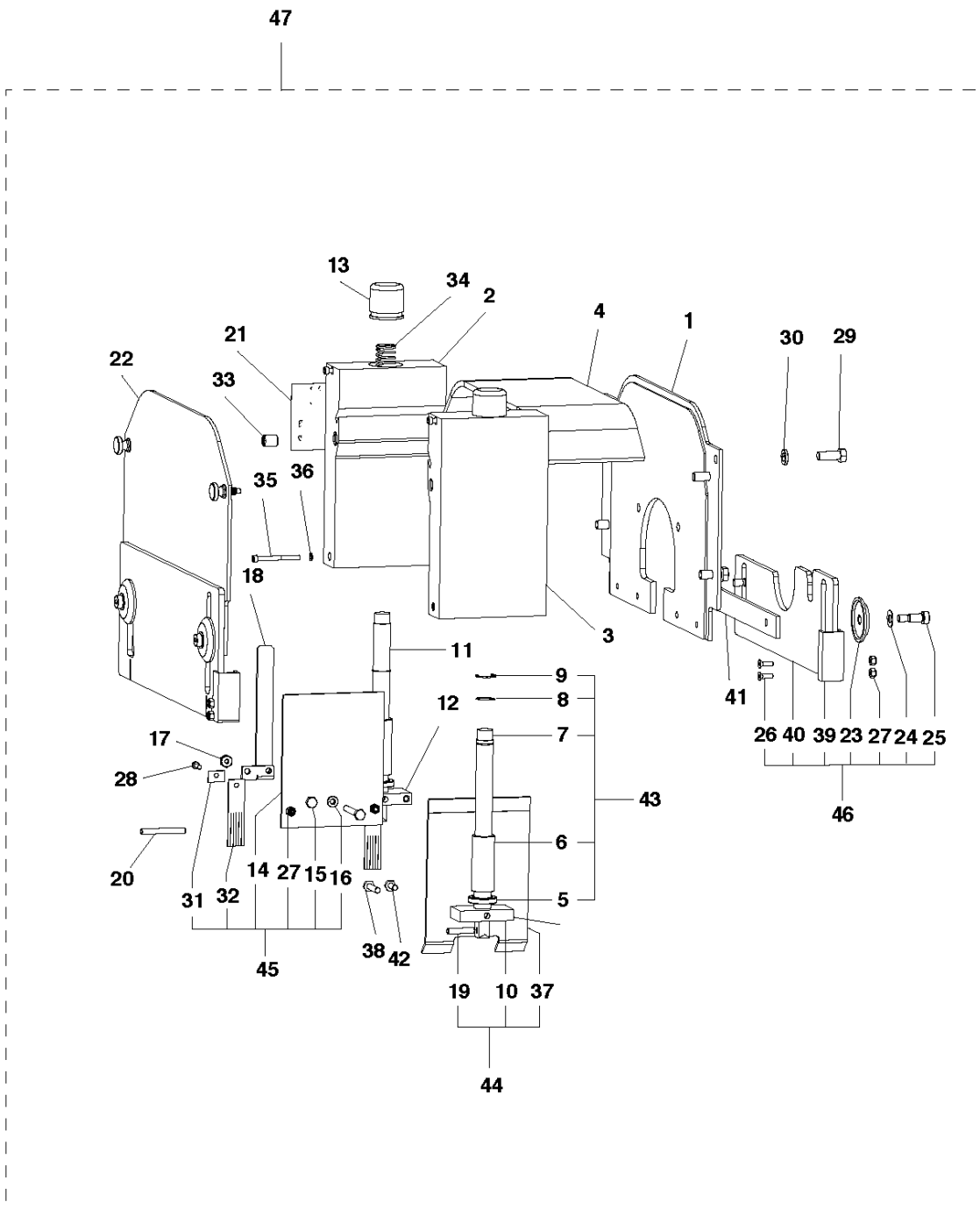


ACTUATOR SWITCH

SOFF CUT 4000, 2015-10

Ref	Part No	Description	Remark	QTY KIT	
1	505 83 16-01	ACTUATOR	From page K	1	
2	505 75 07-01	ACTUATOR		1	1
3	505 83 15-01	ACTUATOR		1	1
4	510 34 42-01	ACTUATOR		1	1
5	505 63 27-01	WASHER		4	1
6	505 62 93-01	SCREW		4	1

M SOFF CUT X4000
BLADE HOUSING

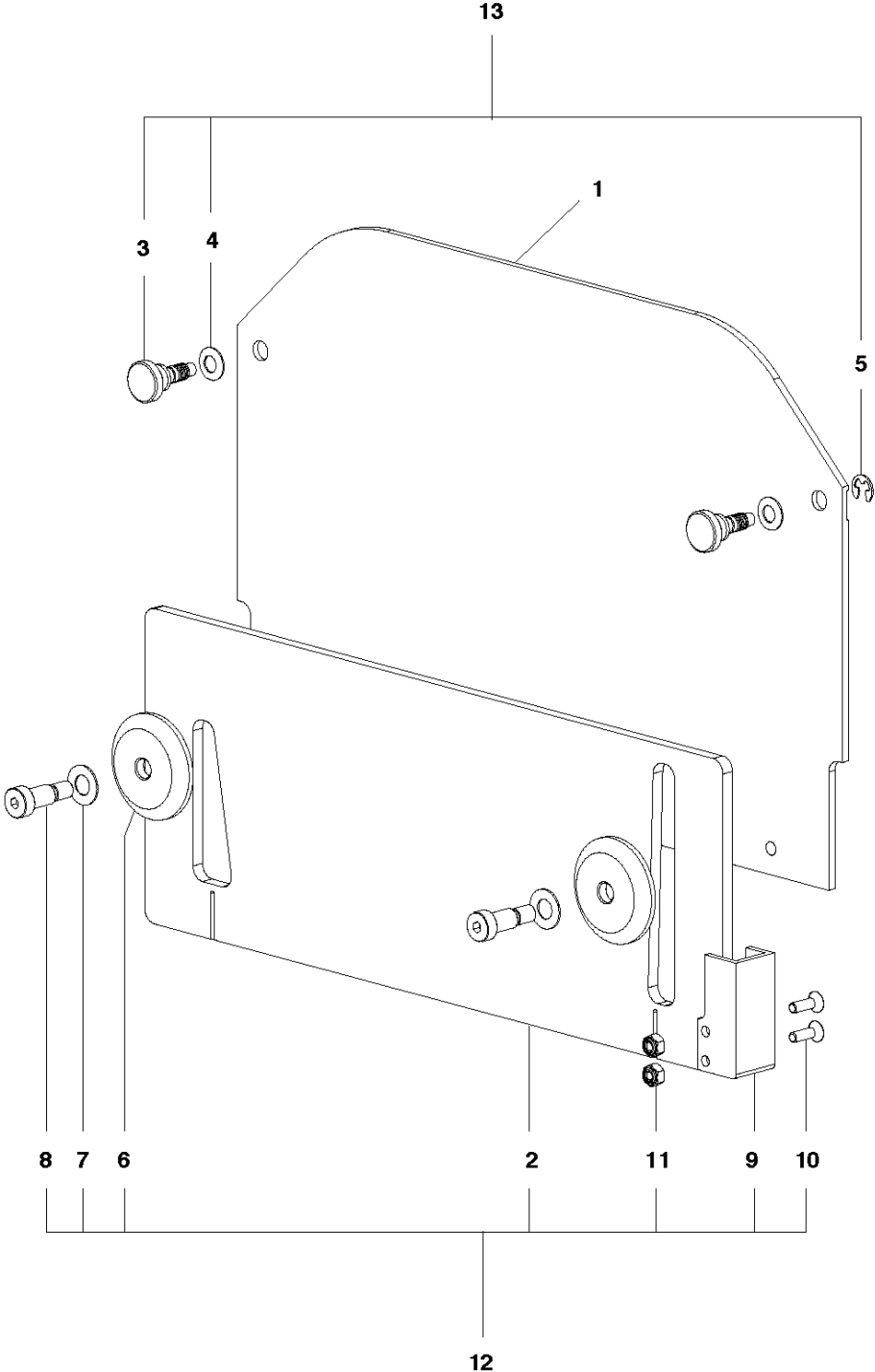


BLADE HOUSING

SOFF CUT 4000, 2015-10

Ref	Part No	Description	Remark	QTY	KIT
1	505 82 79-01	COVER		1	47
2	505 82 77-01	REAR AXLE		1	47
3	505 82 78-01	FRONT AXLE ASSY		1	47
4	505 82 85-01	COVER		1	47
5	505 73 80-01	SEAL		2	43, 47
6	505 66 78-01	SHAFT		2	43, 47
7	505 82 83-01	SHAFT		1	43, 47
8	541 40 14-72	RING		2	43, 47
9	505 73 36-01	SNAP RING		1	43, 47
10	505 83 98-01	BLOCK		1	44, 47
11	505 82 84-01	SHAFT		1	47
12	505 66 49-01	BLOCK		1	47
13	505 83 14-01	CAP		2	47
14	505 82 88-01	REAR AXLE		1	45, 47
15	505 72 81-01	BOLT		2	45, 47
16	505 63 28-01	WASHER		3	45, 47
17	505 63 07-01	NUT		1	47
18	505 83 17-01	ARM		1	47
19	505 77 40-01	PLATE		1	44, 47
20	587 91 82-01	PIN		1	47
21	510 34 38-01	LABEL		1	47
22	505 88 68-01	BLADE		1	47
23	505 76 17-01	WASHER		2	46, 47
24	505 63 42-01	WASHER		2	46, 47
25	505 62 71-01	BOLT		2	46, 47
26	505 73 02-01	SCREW		2	46, 47
27	505 63 04-01	NUT		4	45,46,47
28	505 77 24-01	SCREW		2	47
29	505 83 31-01	BOLT		6	47
30	505 73 10-01	WASHER		6	47
31	505 76 91-01	BAR		2	45, 47
32	505 76 92-01	FLAP		2	45, 47
33	505 74 83-01	INSERT		2	47
34	505 79 07-01	BLADE		2	47
35	505 83 37-01	SCREW		4	47
36	505 63 31-01	WASHER		2	47
37	505 82 86-01	FRONT AXLE ASSY		1	44, 47
38	505 72 83-01	BOLT		1	47
39	505 81 93-01	BRACKET		1	46, 47
40	505 82 81-01	INNER PLATE		1	46, 47
41	505 83 20-01	SPACER		1	47
42	505 62 74-01	BOLT		1	47
43	505 88 73-01	SHAFT		1	47
44	505 88 75-01	FRONT AXLE ASSY		1	47
45	505 88 76-01	PLATE KIT		1	47
46	505 88 69-01	INNER PLATE		1	47
47	510 27 21-03	ASSEMBLY		1	

N SOFF CUT X4000
BLADE BLOCK COVER

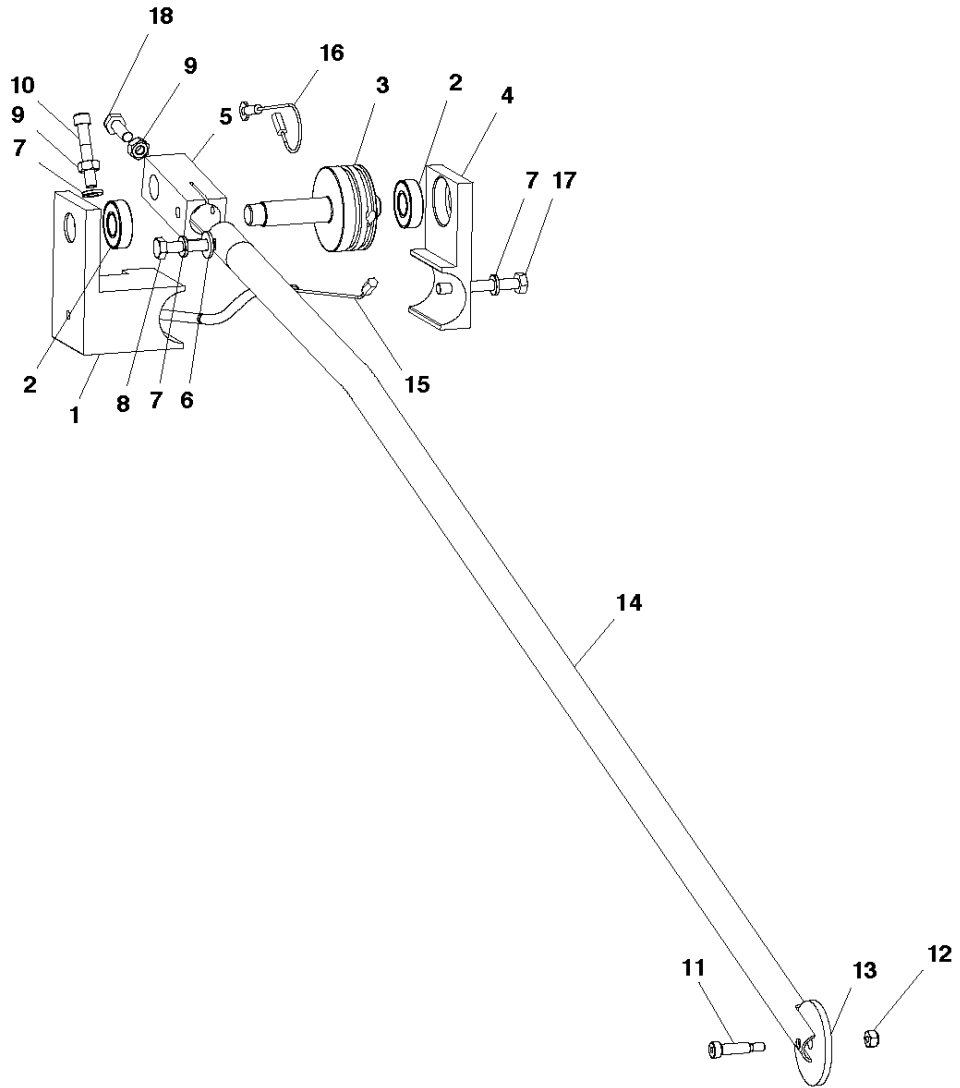


COVER

SOFF CUT 4000, 2015-10

Ref	Part No	Description	Remark	QTY	KIT
1	505 82 80-01	COVER		1	
2	505 82 82-01	PLATE		1	12
3	505 53 63-01	KNOB		2	
4	505 53 64-01	WASHER		2	
5	505 53 65-01	E-CLIP		2	
6	505 76 17-01	WASHER		2	12
7	505 63 42-01	WASHER		2	12
8	505 62 71-01	BOLT		2	12
9	505 81 94-01	PLATE		1	12
10	505 73 02-01	SCREW		2	12
11	505 63 04-01	NUT		2	12
12	505 88 71-01	PROTECTIVE COVER		1	
13	505 48 29-01	KNOB	Kit, Blade Cover Knobs 2 pcs	1	

Q SOFF CUT X4000
GUIDE ARM ASSEMBLY

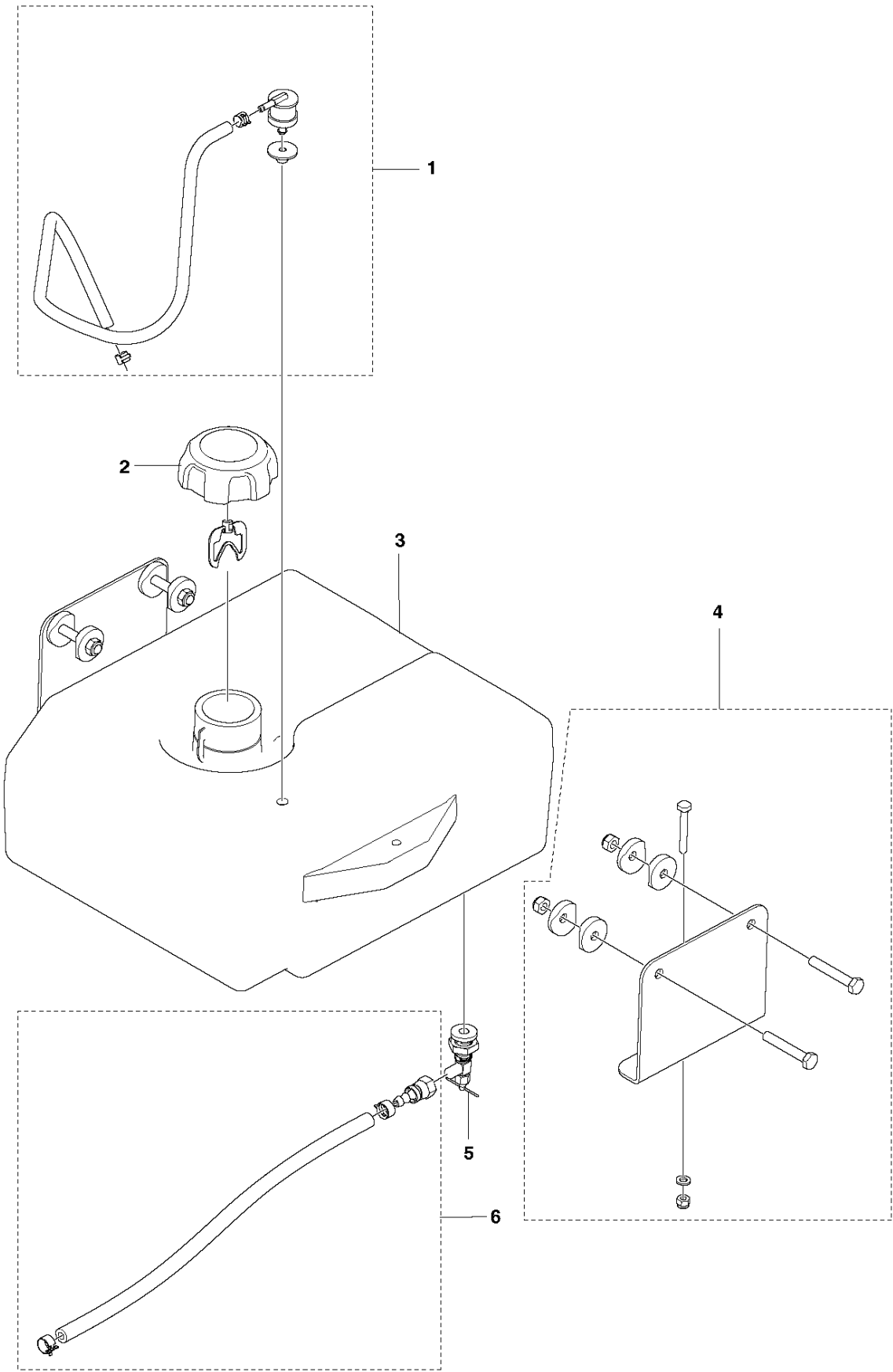


GUIDE ARM ASSEMBLY

SOFF CUT 4000, 2015-10

Ref	Part No	Description	Remark	QTY KIT
1	505 81 64-01	BLOCK		1
2	505 65 48-01	BALL BEARING		2
3	505 81 61-01	GUIDE		1
4	505 81 63-01	BLOCK		1
5	505 81 62-01	ARM		1
6	505 63 20-01	WASHER		1
7	505 63 28-01	WASHER		3
8	505 72 83-01	BOLT		1
9	505 63 19-01	NUT		2
10	505 72 88-01	BOLT		1
11	505 72 58-01	BOLT		1
12	505 63 04-01	NUT		1
13	505 61 42-01	DISC		1
14	505 82 89-01	GUIDE		1
15	505 82 31-01	GUIDE		1
16	505 82 33-01	CABLE		1
17	505 72 81-01	BOLT		1
18	505 62 75-01	BOLT		1

P SOFF CUT X4000
FUEL TANK ASSEMBLY

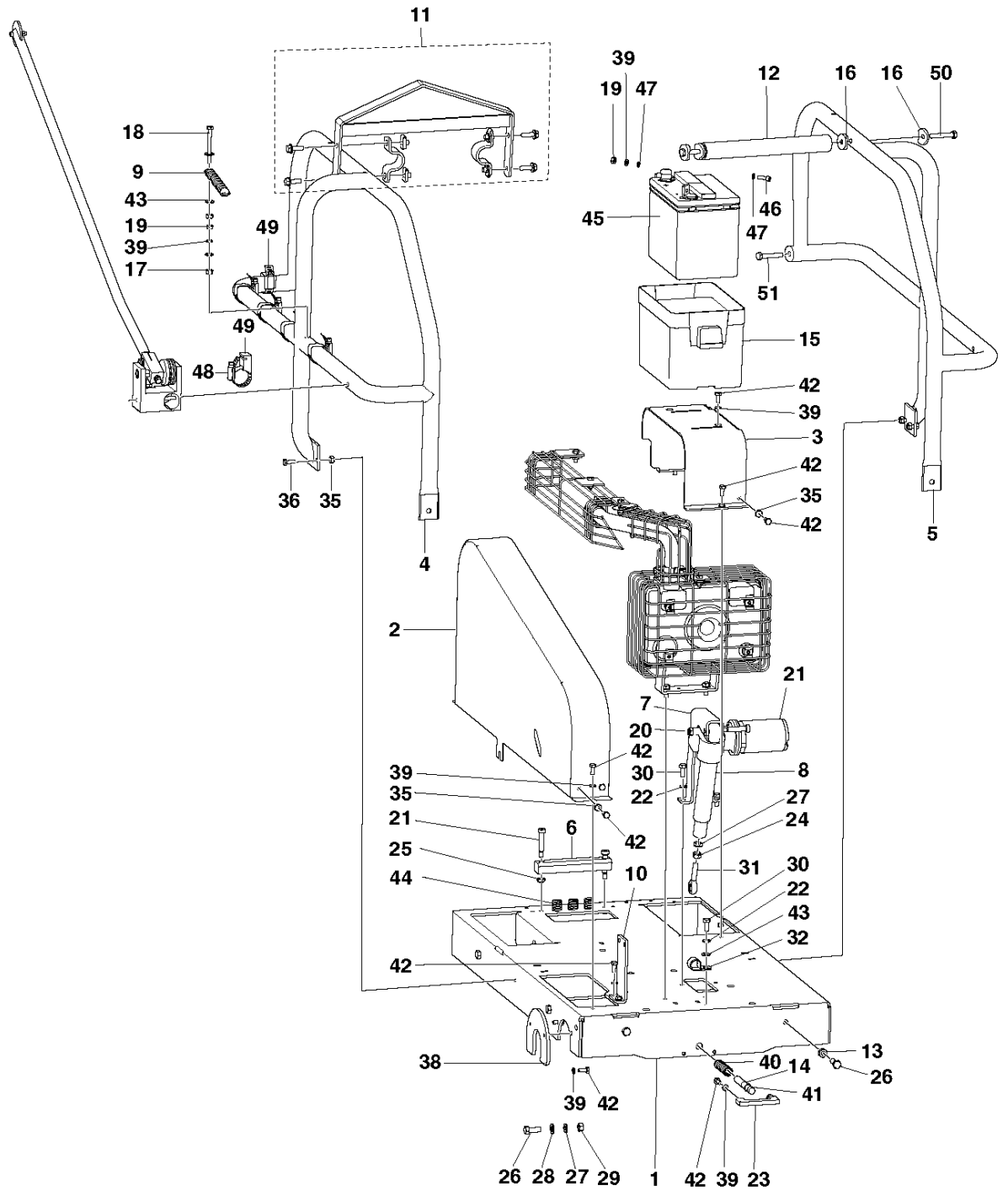


FUEL TANK

SOFF CUT 4000, 2015-10

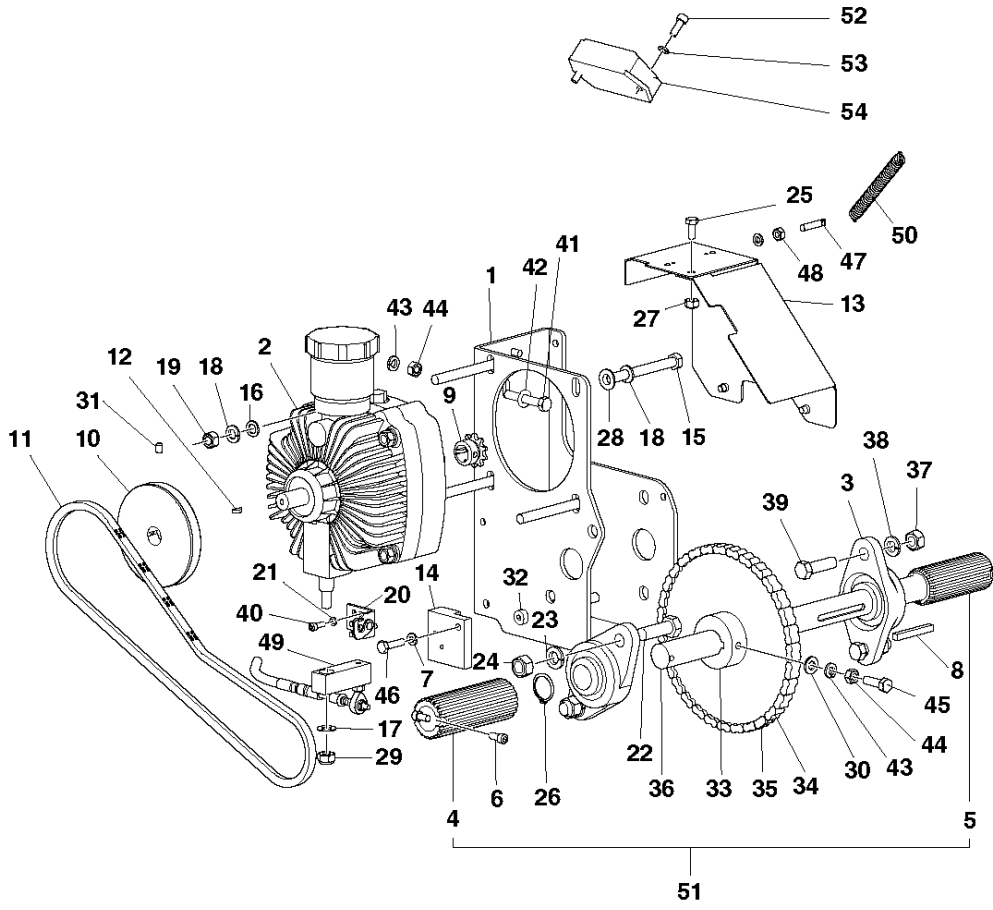
Ref	Part No	Description	Remark	QTY KIT
1	593 00 34-01	VENT		1
2	586 02 73-01	CAP		2
3	589 22 16-01	FUEL TANK ASSY		1
4	593 00 33-01	CONSOLE		1
5	542 19 03-92	VALVE		1
6	541 20 47-50	FITTING		1

R SOFF CUT X4000
MAINFRAME



Ref	Part No	Description	Remark	QTY KIT
1	582 07 78-01	FRAME		1
2	579 86 51-01	BELT GUARD		1
3	505 81 78-01	WHEEL COVER		1
4	589 57 94-01	PIPE ASSY		1
5	589 57 93-01	PIPE ASSY		1
6	505 83 19-01	BLOCK		1
7	505 83 11-02	ACTUATOR		1
8	505 79 11-02	BLADE		1
9	505 73 73-01	SPRING		1
10	505 83 02-01	BRACKET		1
11	593 00 28-01	BAIL		1
12	589 57 96-01	PIPE ASSY		1
13	539 97 69-79	NUT		2
14	505 64 78-01	SNAP RING		1
15	505 83 60-01	COVER		1
16	542 20 21-84	WASHER		2
17	505 63 20-01	WASHER		1
18	505 72 80-01	BOLT		1
19	505 63 19-01	NUT		2
20	539 99 07-17	NUT		1
21	505 83 35-01	BOLT		3
22	505 63 30-01	WASHER		3
23	505 71 42-01	SHAFT		1
24	542 02 01-71	NUT		1
25	505 63 17-01	NUT		2
26	505 83 31-01	BOLT		6
27	505 73 10-01	WASHER		5
28	539 99 05-17	WASHER		2
29	505 83 86-01	NUT		2
30	539 97 69-34	SCREW		3
31	542 16 66-90	BALL		1
32	505 77 58-01	HOSE CLAMP		1
35	732 25 16-01	HEXAGON LOCKING NUT		6
36	586 12 02-01	SCREW EHHFM		4
38	505 81 57-01	BELT		1
39	539970601	TBD		3
40	505 83 42-01	SPRING		1
41	505 81 69-01	SHAFT		1
42	590 96 06-01	SCREW		3
43	539 99 01-88	WASHER		3
44	505 82 40-01	SPRING		3
45	505 78 62-01	BATTERY		1
46	505 62 78-01	BOLT		1
47	505 73 18-01	WASHER		2
48	505 82 25-01	CLAMP		1
49	505 83 43-01	CLAMP		5
50	725 24 61-71	SCREW EHHM		2
51	506 57 01-05	SCREW EHHFM		2

H SOFF CUT X4000
PUMP ASSEMBLY

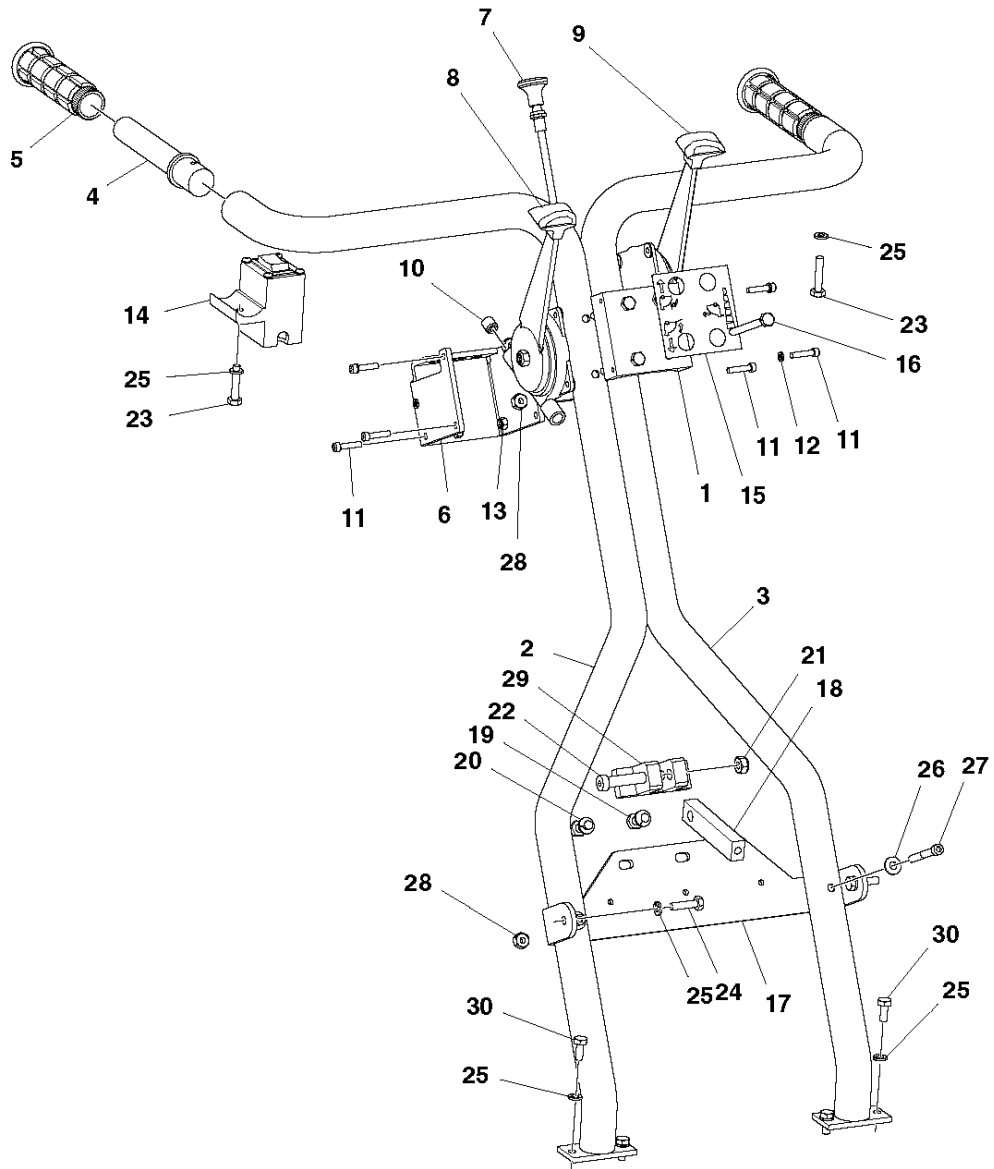


PUMP

SOFF CUT 4000, 2015-10

Ref	Part No	Description	Remark	QTY KIT
1	505 81 84-01	BRACKET		1
2	505 73 83-01	HYDROSTATIC PEDAL ASSY		1
3	505 68 98-01	BLADE SHAFT		2
4	505 71 51-01	DRIVER		1
5	505 71 52-01	DRIVER		1
6	505 72 23-01	BOLT		1
7	505 63 28-01	WASHER		5
8	539 91 02-10	KEY		1
9	587 65 99-01	SPROCKET		1
10	587 93 53-01	PULLEY		1
11	505 48 40-04	BELT		1
12	539 30 07-49	KEY		2
13	505 81 85-01	PUMP COVER		1
14	510 34 31-01	BLOCK		1
15	539 30 08-70	NLA HCS 3/8-16 X 3-1/2 GR 5 ZN		4
16	505 72 40-01	WASHER		4
17	505 63 42-01	WASHER		1
18	505 73 10-01	WASHER		8
19	539 99 01-30	NUT		4
20	505 66 64-01	BRACKET		1
21	505 63 31-01	WASHER		2
22	505 82 11-01	BOLT		2
23	505 73 11-01	WASHER		2
24	505 73 33-01	NUT		2
25	505 62 74-01	BOLT		4
26	542 20 62-05	SNAP RING		4
27	539 97 69-78	NUT		2
28	539 99 05-17	WASHER		4
29	539 97 69-79	NUT		1
30	539 99 01-88	WASHER		1
31	542 02 05-41	KEY		2
32	505 62 71-01	BOLT		2
33	505 72 94-01	SHC 10-24 X 1 1/4 STAINLESS S		1
34	505 86 46-01	CHAIN		1
35	505 73 96-01	LINK		1
36	505 83 08-01	SHAFT		1
37	505 73 26-01	NUT		2
38	505 73 12-01	WASHER		2
39	505 82 14-01	BOLT		2
40	505 72 96-01	BOLT		2
41	542 02 05-41	KEY		1
42	505 72 52-01	WASHER		1
43	505 63 30-01	WASHER		2
44	505 73 24-01	NUT		2
45	505 72 75-01	HEX BOLT 5/16-18-1 CAD GR 5		1
46	505 72 73-01	BOLT		1
47	505 77 45-01	ANCHOR		1
48	505 63 19-01	NUT		1
49	505 81 71-01	ARM		1
50	505 73 73-01	SPRING		1
51	505 48 42-02	TUBE		1
52	505 72 96-01	BOLT		2
53	505 63 31-01	WASHER		2
54	505 81 43-01	HOUR METER		1

K SOFF CUT X4000
HANDLE ASSEMBLY



HANDLE

SOFF CUT 4000, 2015-10

Ref	Part No	Description	Remark	QTY KIT
1	505 82 92-01	BLOCK		2
2	505 82 93-01	HANDLE		1
3	505 82 94-01	HANDLE		1
4	505 82 91-01	HANDLE		2
5	505 60 11-01	HANDLE GRIP		2
6	505 81 68-01	BRACKET		1
7	505 82 73-01	THROTTLE CABLE		1
8	505 82 36-01	CONTROL LEVER		1
9	505 82 36-01	CONTROL LEVER		1
10	505 82 24-01	SCREW		2
11	505 77 28-01	BOLT		6
12	505 63 31-01	WASHER		4
13	505 82 22-01	NUT		2
14	505 83 16-01	ACTUATOR		1
15	510 34 13-01	LABEL		1
16	505 72 80-01	BOLT		4
17	590 47 25-01	BRACKET		1
18	505 83 09-01	ARM		1
19	539 97 69-34	SCREW		2
20	505 63 30-01	WASHER		2
21	539 99 07-17	NUT		1
22	505 77 15-01	BOLT		1
23	505 72 83-01	BOLT		2
24	506 57 01-05	SCREW EHHFM		2
25	505 63 28-01	WASHER		8
26	505 63 20-01	WASHER		2
27	505 72 89-01	BOLT		2
28	539 97 69-78	NUT		6
29	505 75 69-01	ACTUATOR		1
30	505 62 74-01	BOLT		4