

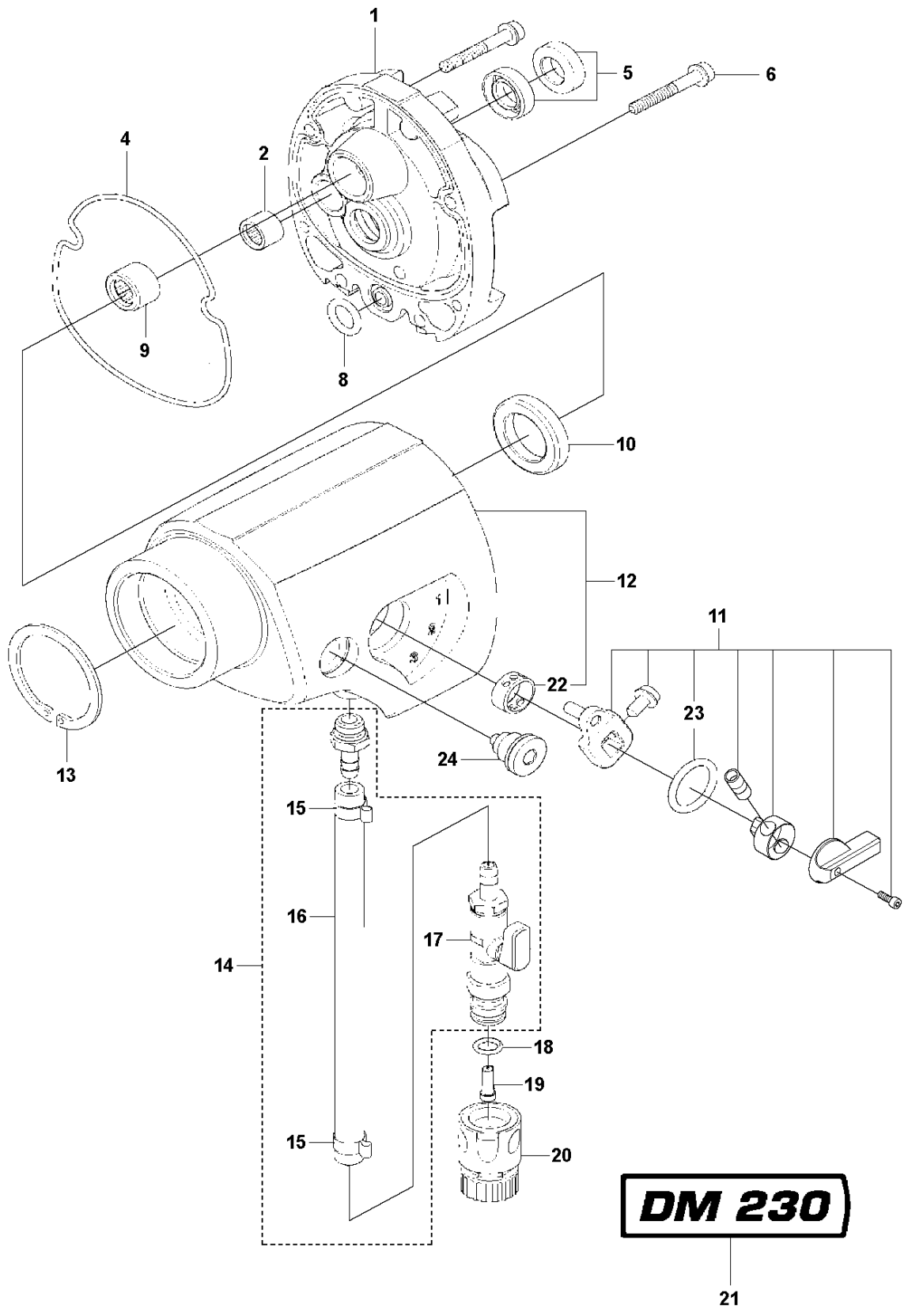


# SPARE PARTS LIST

DRILLING EQUIPMENT

DM230, 2015-07

# A1 DM 230 GEAR BOX

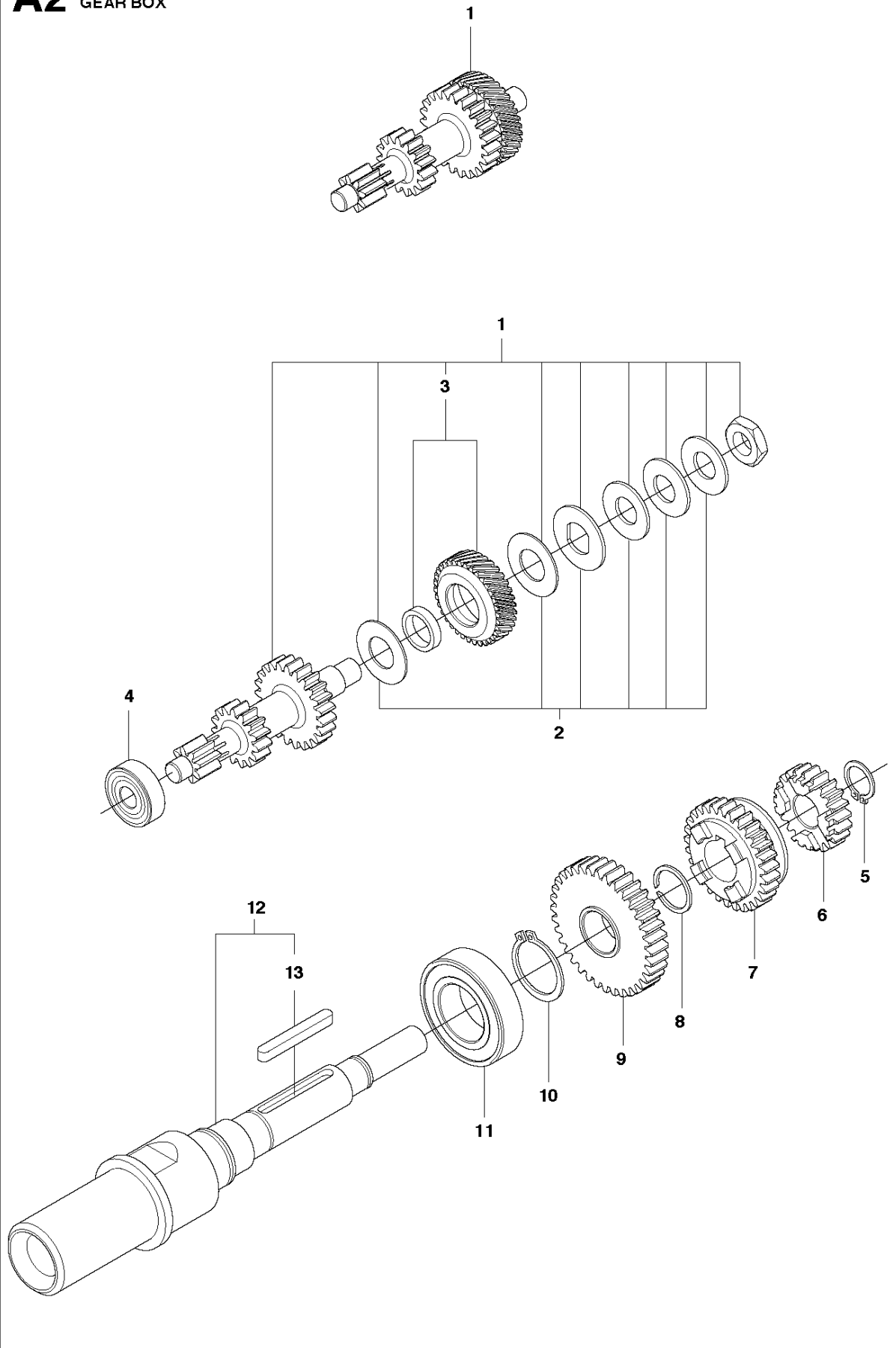


## GEAR BOX

DM230, 2015-07

Ref	Part No	Description	Remark	QTY KIT	
1	586 79 60-01	COVER		1	
2	503 25 42-01	NEEDLE BEARING		1	
4	503 26 30-30	O-RING		1	
4	586 81 21-01	SEALING	Valid from machine serial number 20152200001	1	
5	586 06 81-01	SEALING		2	
6	503 20 74-40	SCREW IHSCFM		2	
8	586 91 18-01	SEALING		1	
9	503 25 53-01	NEEDLE BEARING		1	
10	575 55 79-01	RADIAL SEAL		1	
11	525 40 14-02	GEARSHIFT LEVER		1	
12	588 61 31-02	GEAR HOUSING		1	
13	735 31 40-10	CIRCLIP		1	
14	501 07 22-01	HOSE ASSY		1	
15	576 12 97-01	HOSE CLAMP		2	14
16	581 89 36-01	HOSE		1	14
17	587 43 78-02	VALVE ASSY		1	14
18	505 10 35-01	O-RING		1	14
19	506 29 88-01	FILTER		1	14
20	503 26 60-03	COUPLER	USA/CANADA	1	
20	503 26 60-04	COUPLER		1	
21	502 63 54-01	LABEL		1	
22	544 13 00-01	INSERT		1	
23	502 49 65-05	O-RING		1	
24	525 48 10-01	OIL PLUG		1	

**A2** DM230  
GEAR BOX

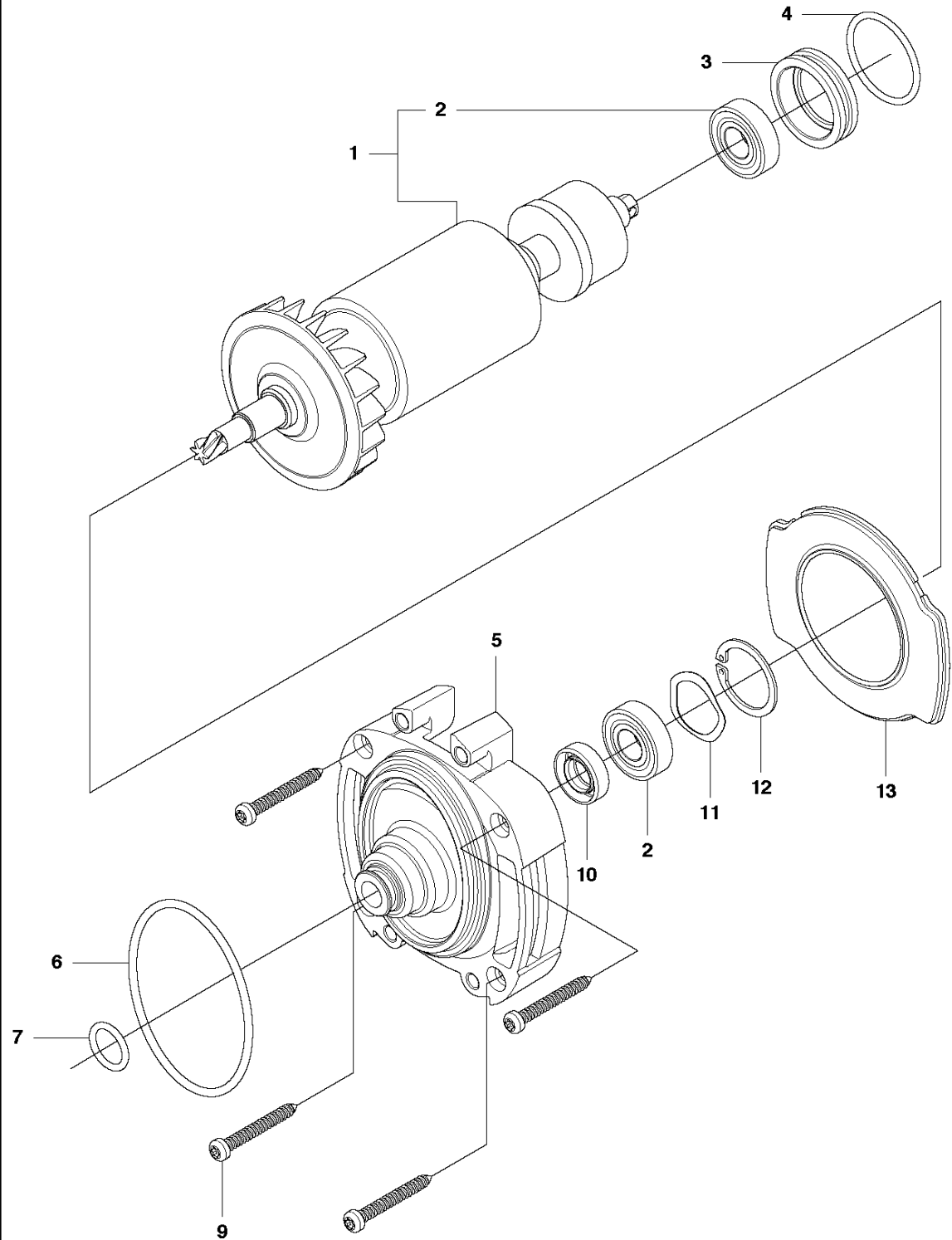


## GEAR BOX

DM230, 2015-07

Ref	Part No	Description	Remark	QTY	KIT
1	587 36 69-01	COUPLING		1	
2	587 36 25-01	CLUTCH ASSY		1	
3	504 57 11-02	GEAR WHEEL ASSY		1	1
4	738 22 99-27	BALL BEARING		1	
5	735 31 16-00	CIRCLIP		1	
6	544 12 44-01	GEAR WHEEL		1	
7	544 12 46-01	GEAR WHEEL		1	
8	735 31 20-40	RETAINER RING		1	
9	544 12 48-01	GEAR WHEEL		1	
10	735 31 26-00	CIRCLIP		1	
11	738 21 05-14	BALL BEARING		1	
12	525 40 21-01	SPINDLE SHAFT	"1/2"'''	1	
12	525 40 22-01	SPINDLE SHAFT	"5/8"'''	1	
13	544 38 16-01	KEY		1	

**B1** DM230  
MOTOR

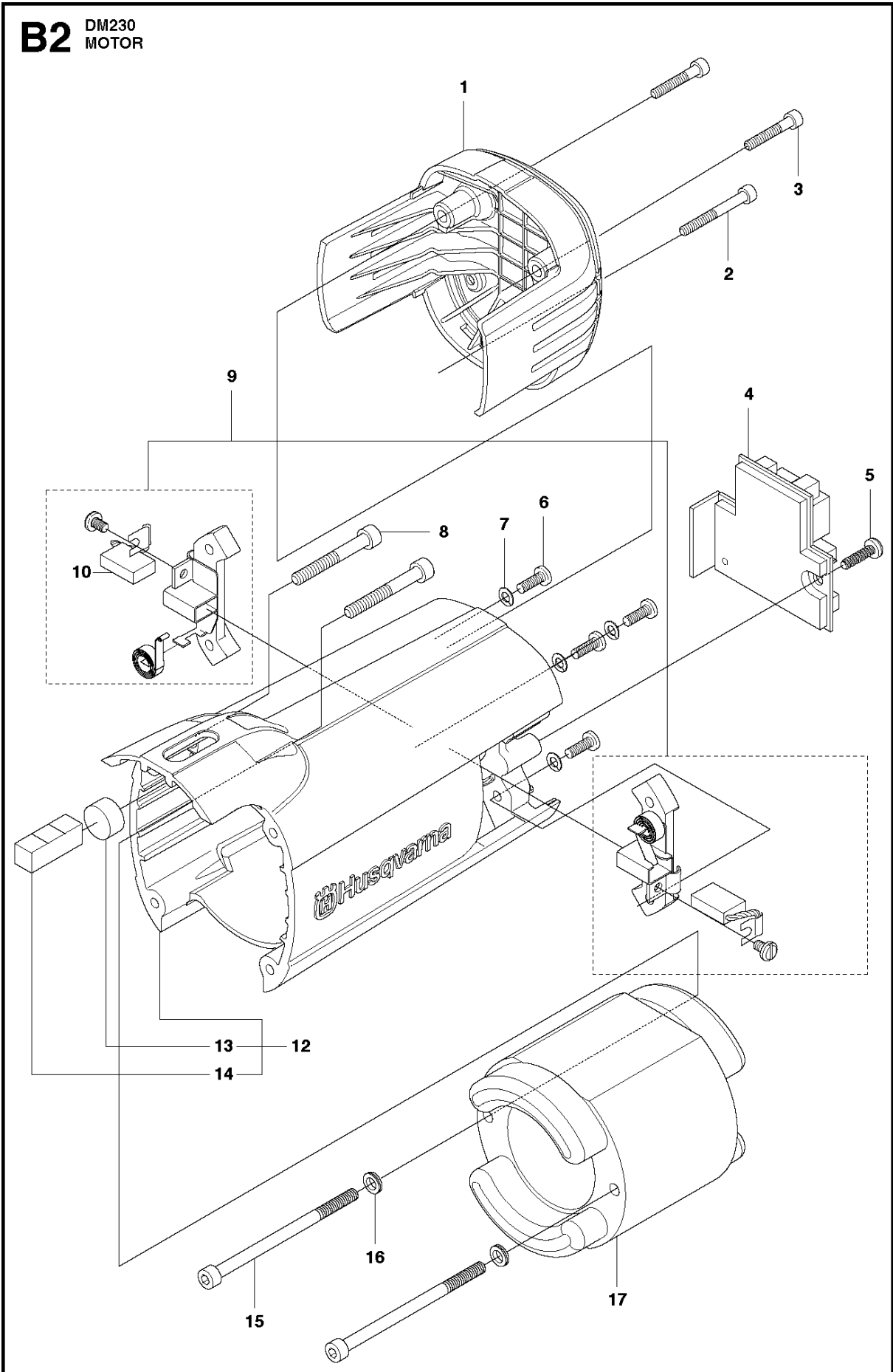


## MOTOR

DM230, 2015-07

Ref	Part No	Description	Remark	QTY	KIT
1	505 57 65-03	ROTOR	120V, from S/N 20180800001	1	
1	505 57 66-03	ROTOR	230V, from S/N 20180800001	1	
2	575 98 49-01	BALL BEARING		2	1
3	544 12 30-01	BEARING SUPPORT		1	
4	503 26 30-03	O-RING		1	
5	586 79 62-01	COVER		1	
6	503 26 30-29	O-RING		1	
7	586 91 21-01	SEALING		1	
9	525 47 63-02	SCREW ITPANT		4	
10	501 00 83-01	SEALING		1	
11	501 00 84-01	SPRING WASHER		1	
12	735 31 28-10	CIRCLIP		1	
13	586 91 91-01	AIR CONDUCTOR		1	

**B2** DM230  
MOTOR

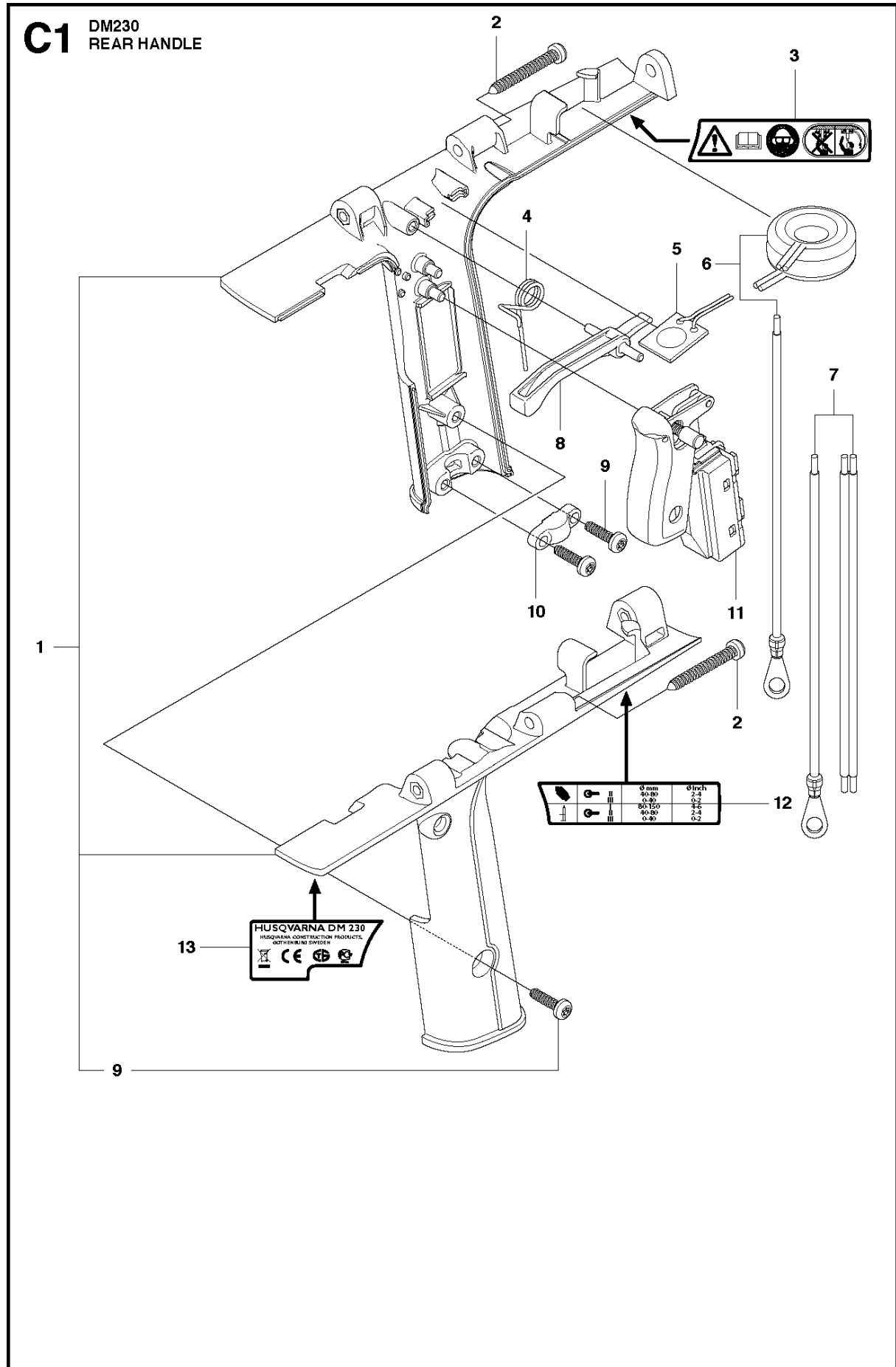




## MOTOR

DM230, 2015-07

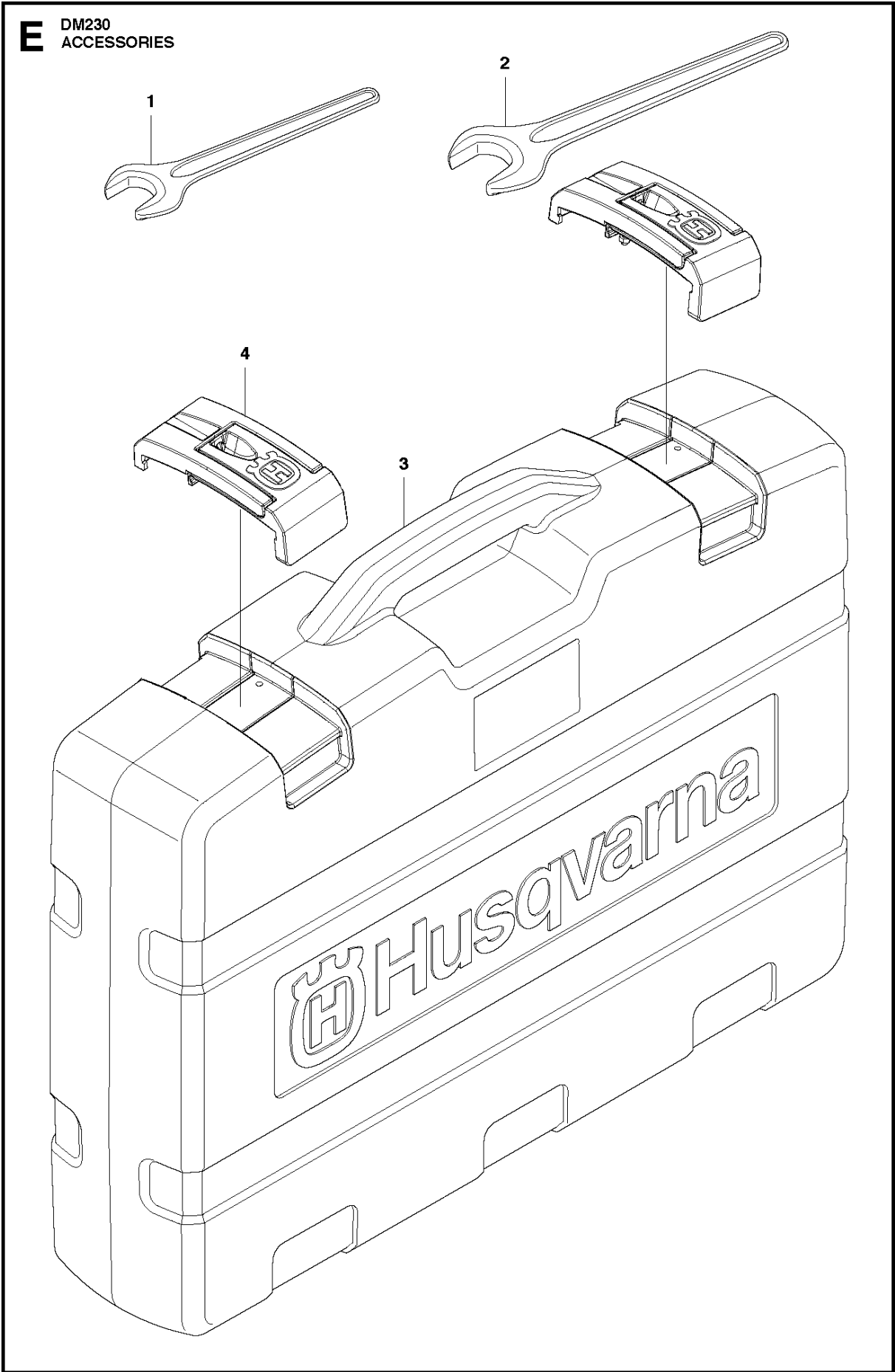
Ref	Part No	Description	Remark	QTY	KIT
1	588 58 60-01	REAR COVER		1	
2	725 53 37-55	SCREW IHSCM		1	
3	503 20 07-78	SCREW IHSCFM		2	
4	544 12 34-02	PRINTED CIRCUIT ASSY	120V	1	
4	544 12 34-01	PRINTED CIRCUIT ASSY	230V	1	
5	525 47 63-01	SCREW ITXPANT		1	
6	724 12 91-01	SCREW CRPANM		4	
7	735 11 36-50	SPRING WASHER		4	
8	725 53 39-55	SCREW IHSCM		2	
9	582 87 39-03	BRUSH HOLDER		2	
10	506 22 58-05	CARBON BRUSH		2	
12	505 57 63-01	MOTOR HOUSING		1	
13	544 23 13-01	LEVEL		1	13
14	544 23 12-01	LEVEL		1	13
15	725 53 47-55	SCREW IHSCM		2	
16	503 23 04-02	WASHER		2	
17	591 36 39-04	STATOR ASSY	120V, from S/N 20180800001	1	
17	591 36 39-03	STATOR ASSY	230V, from S/N 20180800001	1	



## REAR HANDLE

DM230, 2015-07

Ref	Part No	Description	Remark	QTY	KIT
1	505 44 11-01	HANDLE ASSY		1	
2	525 47 63-02	SCREW ITPANT		2	
3	502 63 53-02	LABEL		1	
4	544 12 56-01	SPRING		1	
5	544 13 14-01	BUTTON		1	
6	504 57 13-02	JOINTING CABLE	230V	1	
7	504 57 13-01	CABLE	110V	1	
8	544 13 12-01	LEVER		1	
9	525 47 63-01	SCREW ITPANT		3	1
10	544 12 32-01	CABLE CLAMP		1	
11	544 12 95-01	TRIGGER		1	
12	502 63 50-01	LABEL		1	
13	502 63 49-03	LABEL		1	
13	502 63 49-04	LABEL	CHINA	1	
13	502 63 49-05	LABEL	US	1	

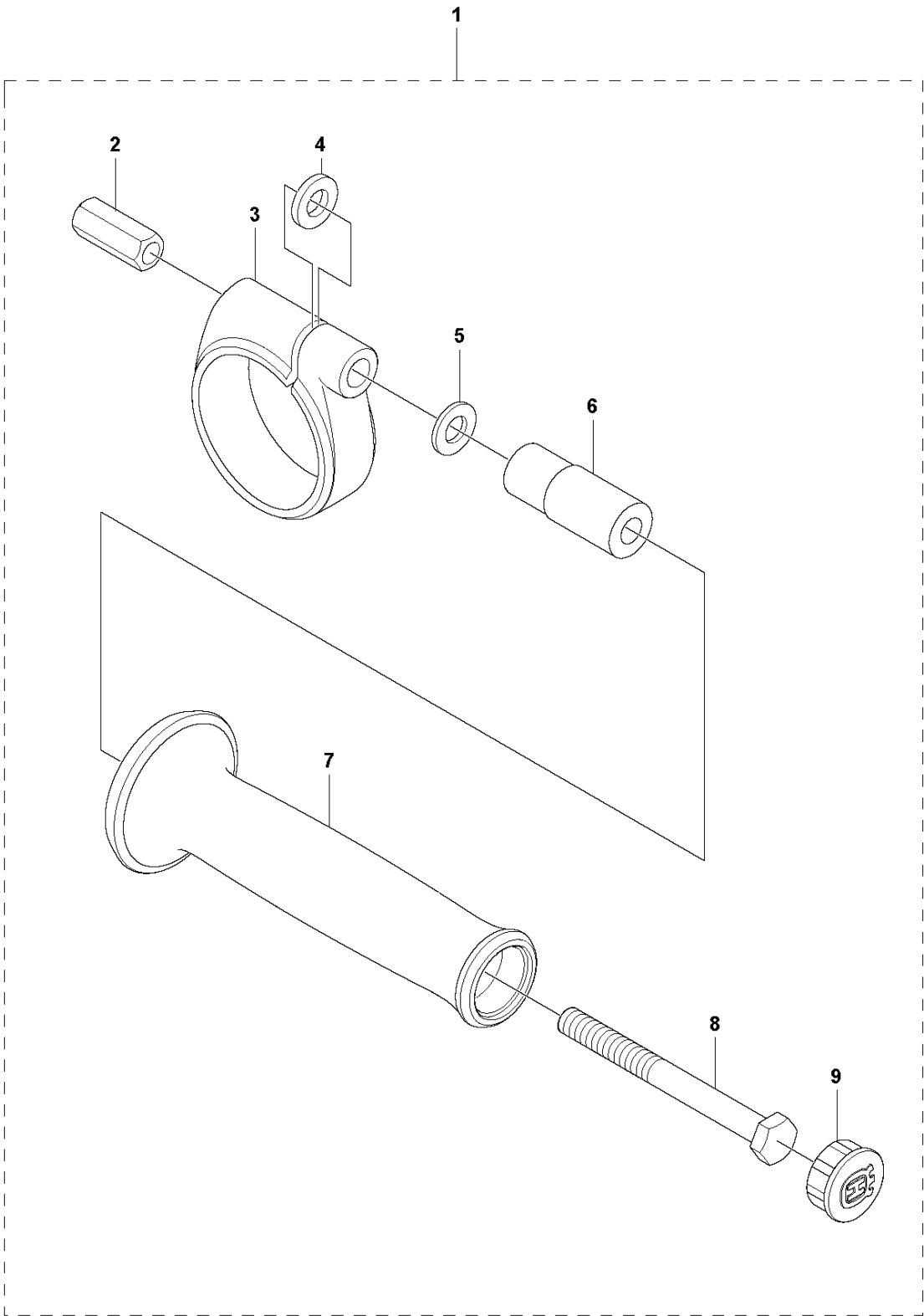


## ACCESSORIES

DM230, 2015-07

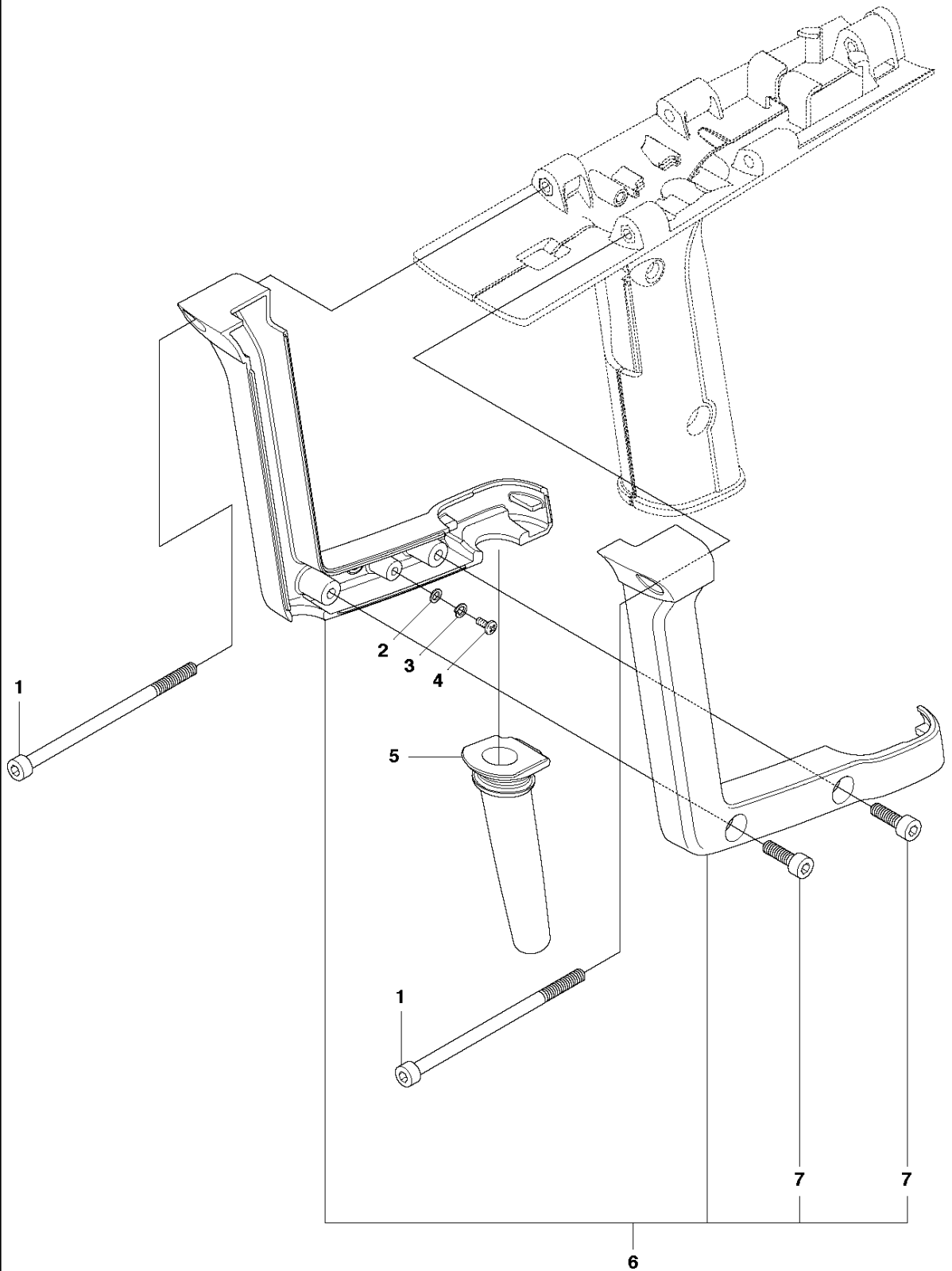
Ref	Part No	Description	Remark	QTY KIT
1	531 14 09-51	KEY	24 mm	1
2	531 14 09-52	KEY	32 mm	1
3	502 29 45-02	CARRYING CASE		1
4	586 46 65-01	KIT		2

**D** DM230  
FRONT HANDLE



Ref	Part No	Description	Remark	QTY	KIT
1	590 86 97-01	HANDLE SUPPORT ASSY		1	
2	504 02 34-01	NUT		1	1
3	582 06 26-01	CLAMPING SLEEVE		1	1
4	504 02 77-01	WASHER		1	1
5	734 11 72-01	WASHER		1	1
6	588 92 64-02	SPACER		1	1
7	574 16 94-01	HANDLE		1	1
8	725 25 11-51	SCREW EHHM		1	1
9	574 39 84-01	LID		1	

**C2** DM230  
REAR HANDLE



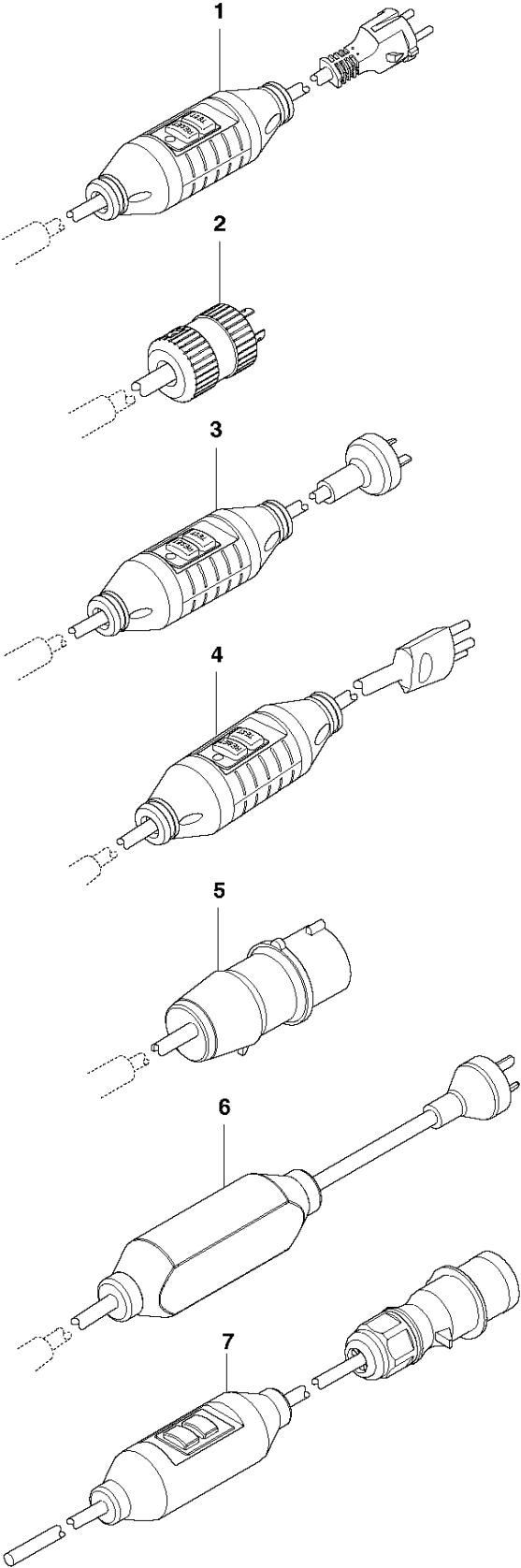


REAR HANDLE

DM230, 2015-07

Ref	Part No	Description	Remark	QTY	KIT
1	725 53 49-55	SCREW IHSCM		2	
2	734 11 36-01	WASHER		1	
3	735 21 36-01	LOCKWASHER		1	
4	724 12 87-01	SCREW CRPANM		1	
5	577 41 18-01	CABLE SLEEVE		1	
6	505 44 13-01	HAND GUARD ASSY		1	
7	503 20 07-74	SCREW IHSCFM		2	6

**C3** DM230  
POWER CABLE



ELECTRICAL

DM230, 2015-07

Ref	Part No	Description	Remark	QTY KIT
1	505 44 33-01	CABLE	230V, EU	1
2	510 18 13-01	CABLE	120V, US	1
3	521 90 72-01	CABLE	230V, AUS	1
4	521 90 74-01	CABLE	230V, CH	1
5	521 91 90-01	CABLE	120V, UK	1
6	579 47 13-01	CABLE	230V, CHINA	1
7	599 35 32-02	CABLE	230V, SA	1