

DM 230

Reservdelar

Spare parts

Ersatzteile

Pieces de rechange

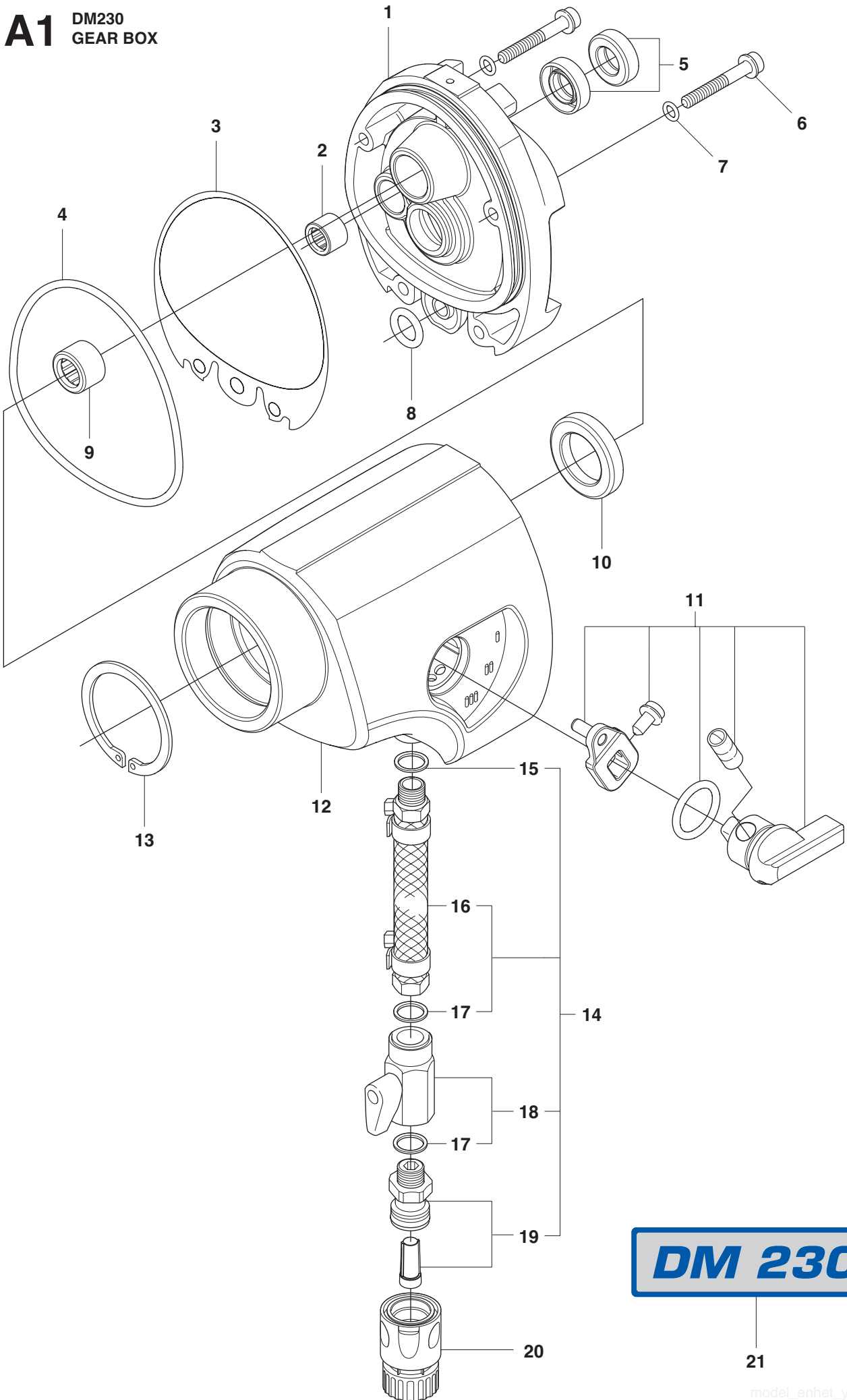
Piezas de repuesto

Ricambi

Peças sobresselente

No.	Pos.	Description	No.	Pos.	Description
501 00 83-01	B1	SEALING	544 12 48-01	A2	GEAR WHEEL
501 00 84-01	B1	SPRING WASHER	544 12 50-01	A1	COVER
501 00 85-01	B2	LOCK WASHER	544 12 55-01	B2	STATOR
502 29 45-01	E	CARRYING CASE	544 12 56-01	C1	SPRING
502 29 77-01	B2	STATOR	544 12 95-01	C1	TRIGGER
502 30 44-02	A1	HOSE KIT	544 13 12-01	C1	LEVER
502 63 49-01	C1	LABEL	544 13 14-01	C1	BUTTON
502 63 50-01	C1	LABEL	544 23 12-01	B2	LEVELL
502 63 53-01	C1	LABEL	544 23 13-01	B2	LEVELL
502 63 54-01	A1	LABEL	544 90 05-01	C2	CABLE SLEEVE
503 20 74-25	B2	SCREW	723 22 85-81	B2	SCREW
503 20 74-35	B2	SCREW	724 12 91-01	B2	SCREW
503 20 74-40	A1	SCREW	724 12 87-01	C2	SCREW
503 25 24-01	B1	BALL BEARING	725 25 18-51	D	SCREW
503 25 42-01	A1	NEEDLE BEARING	725 53 29-55	C2	SCREW
503 25 53-01	A1	NEEDLE BEARING	725 53 39-55	B2	SCREW
503 26 30-03	B1	O-RING	725 53 47-55	B2	SCREW
503 26 30-29	B1	O-RING	725 53 49-55	C2	SCREW
503 26 30-30	A1	O-RING	734 11 36-01	C2	WASHER
503 26 30-31	A1	O-RING	734 11 72-01	D	WASHER
503 26 60-02	A1	COUPLER	735 11 36-50	B2	SPRING WASHER
504 02 28-01	D	CLAMPING SLEEVE	735 11 46-50	B2	SPRING WASHER
504 02 34-01	D	NUT	735 21 36-01	C2	LOCK WASHER
504 02 77-01	D	WASHER RUBBER	735 31 16-00	A2	CIRCLIP
504 09 87-01	D	BRACKET ASSY	735 31 26-00	A2	RETAINING RING
504 57 11-02	A2	GEAR WHEEL ASSY	735 31 28-10	B1	CIRCLIP
504 57 13-01	C1	JOINTING CABLE	735 31 40-10	A1	CIRCLIP
504 57 13-02	C1	JOINTING CABLE	738 21 05-14	A2	BALL BEARING
504 57 15-01	D	FRONT HANDLE	738 22 99-27	A2	BALL BEARING
504 57 17-01	D	GRIP ASSY	740 42 03-00	A1	O-RING
505 41 22-01	A2	LOCK RING	740 43 11-00	B1	O-RING
505 44 11-01	C1	HANDLE ASSY	740 51 49-24	A1	RADIAL SEAL
505 44 13-01	C2	HAND ASSY GUARD			
505 44 32-01	C1	PLUG			
505 44 33-01	C1	CABLE ASSY			
505 52 02-17	C1	CABLE			
505 57 63-01	B2	MOTOR HOUSING ASSY			
505 57 65-01	B1	ROTOR ASSY BEARING			
505 57 66-01	B1	ROTOR ASSY BEARING			
510 02 89-01	C1	CABLE ASSY			
510 11 20-01	A1	NIPPLE KIT			
510 12 59-02	A1	HOSE ASSY			
510 18 04-01	A1	SEALING			
510 18 13-01	C1	CABLE ASSY			
510 19 59-01	A1	VALVE KIT			
510 44 09-01	B1	GASKET			
525 29 55-01	A2	KIT COMPLETE CLUTCH			
525 33 97-01	A1	ALUMINIUM GASKET			
525 40 14-01	A1	LEVER ASSY			
525 40 20-01	A2	KIT WEAR PARTS			
525 40 21-01	A2	SPINDLE AXLE			
525 40 22-01	A2	SPINDLE AXLE			
525 40 23-01	B2	REAR COVER			
525 45 44-01	A1	SEALING			
525 47 63-01	B2 C1	SCREW			
525 47 63-02	B1 C1	SCREW			
531 07 39-00	B2	CARBON BRUSH			
531 07 42-60	A1	FIBRE WASHER			
531 14 09-51	E	SPANNER 24			
531 14 09-52	E	SPANNER 32			
544 11 20-01	A1	GEAR HOUSING			
544 12 29-01	B1	AIR CONDUCTOR			
544 12 30-01	B1	BEARING SUPPORT			
544 12 32-01	C1	CABLE CLAMP			
544 12 34-01	B2	PRINTED CIRCUIT ASSY			
544 12 34-02	B2	PRINTED CIRCUIT ASSY			
544 12 35-01	B2	BRUSH HOLDER			
544 12 43-01	B1	COVER			
544 12 44-01	A2	GEAR WHEEL			
544 12 46-01	A2	GEAR WHEEL			

A1 DM230
GEAR BOX



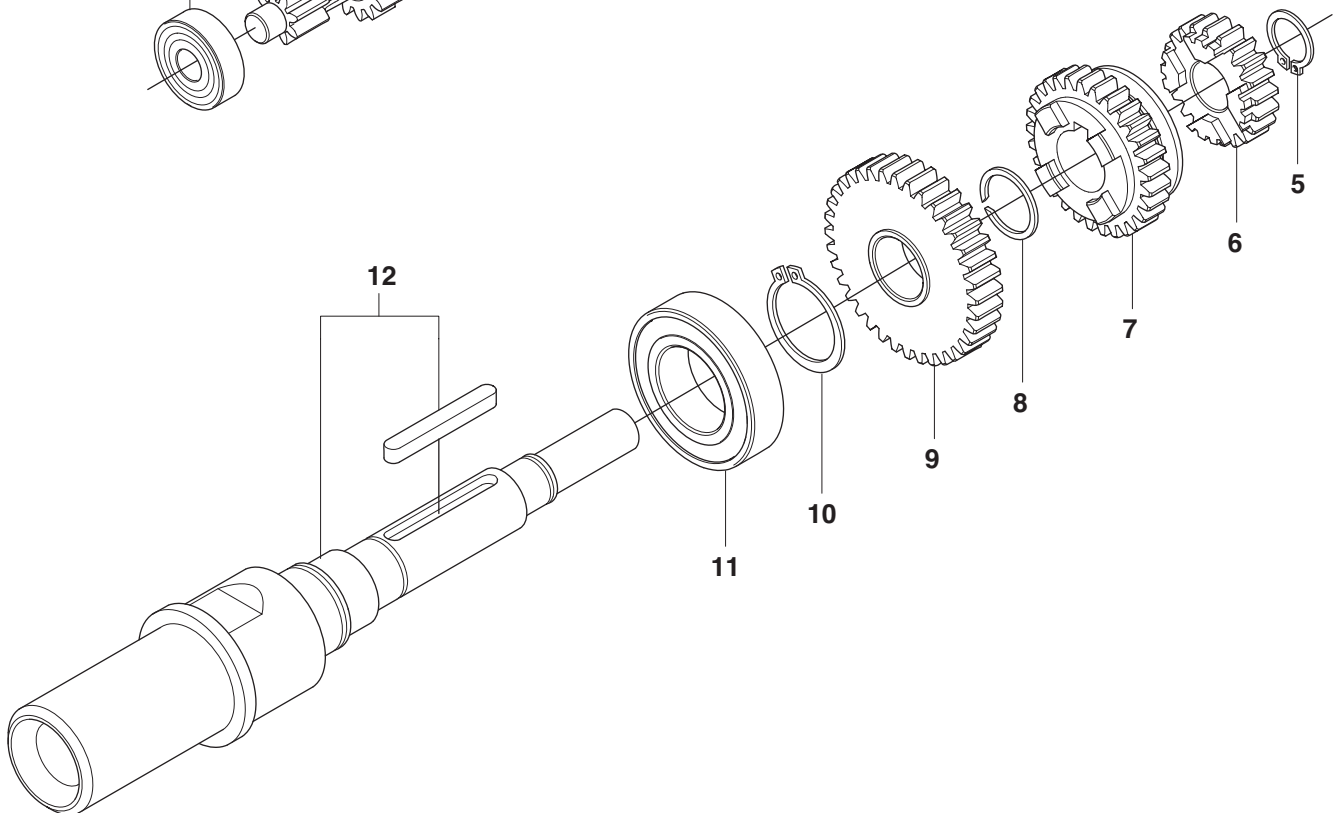
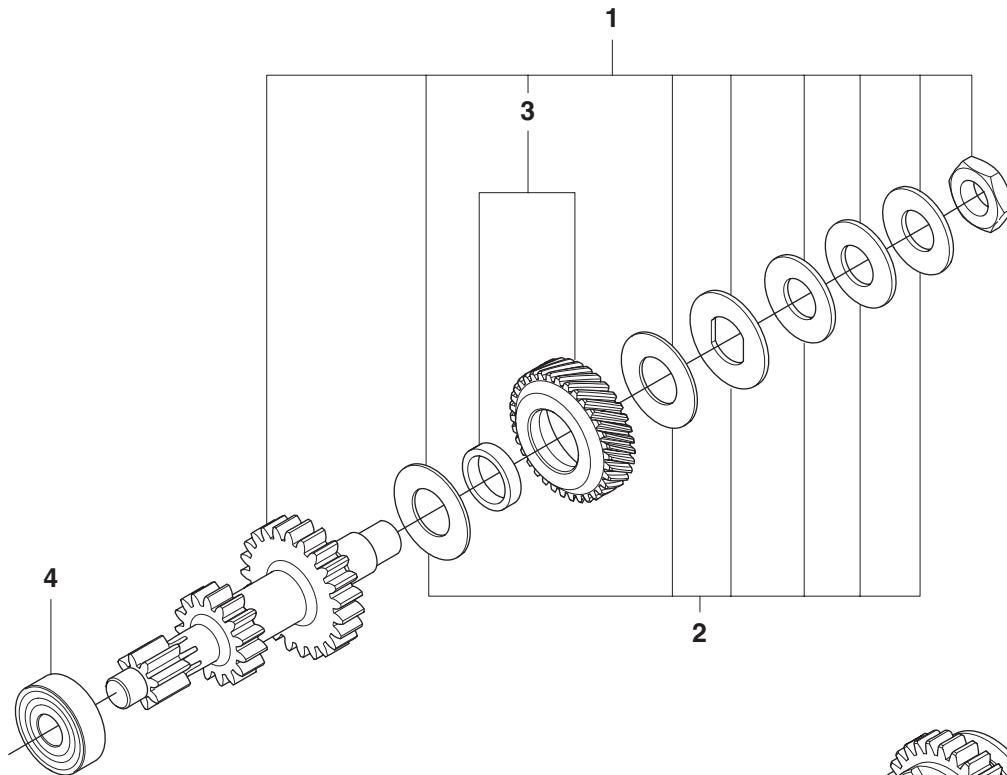
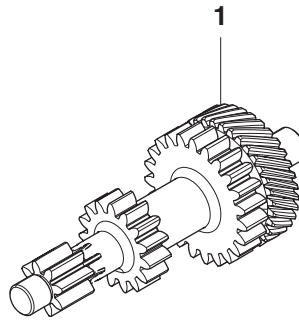
DM 230

21

Page A1
DM230

Pos.	Part No.	Description	Quantity	Notes
1	544 12 50-01	COVER	1	
2	503 25 42-01	NEEDLE BEARING	1	
3	510 18 04-01	SEALING	1	
4	503 26 30-30	O-RING	1	
5	525 45 44-01	SEALING	2	
6	503 20 74-40	SCREW	2	
7	740 42 03-00	O-RING	2	
8	503 26 30-31	O-RING	1	
9	503 25 53-01	NEEDLE BEARING	1	
10	740 51 49-24	RADIAL SEAL	1	
11	525 40 14-01	LEVER ASSY	1	
12	544 11 20-01	GEAR HOUSING	1	
13	735 31 40-10	CIRCLIP	1	
14	502 30 44-02	HOSE KIT	1	
15	525 33 97-01	ALUMINIUM GASKET	1	14
16	510 12 59-02	HOSE ASSY	1	14
17	531 07 42-60	FIBRE WASHER	2	14, 18
18	510 19 59-01	VALVE KIT	1	14
19	510 11 20-01	NIPPLE KIT	1	14
20	503 26 60-02	COUPLER	1	
21	502 63 54-01	LABEL	1	

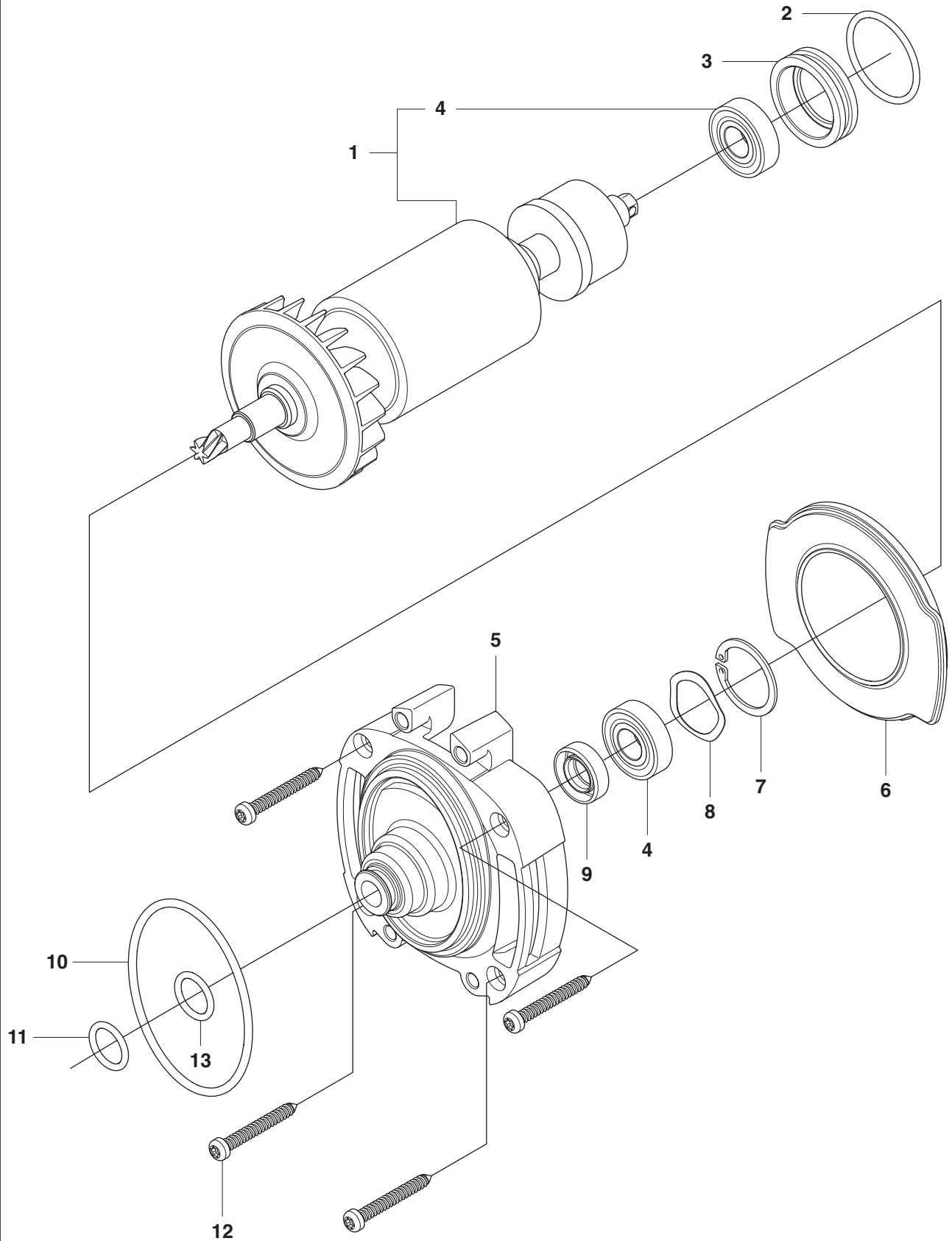
A2 DM230
GEAR BOX



Page A2
DM230

Pos.	Part No.	Description	Quantity	Notes
1	525 29 55-01	KIT COMPLETE CLUTCH	1	
2	525 40 20-01	KIT WEAR PARTS	1	
3	504 57 11-02	GEAR WHEEL ASSY	1	1
4	738 22 99-27	BALL BEARING	1	
5	735 31 16-00	CIRCLIP	1	
6	544 12 44-01	GEAR WHEEL	1	
7	544 12 46-01	GEAR WHEEL	1	
8	505 41 22-01	LOCK RING	1	
9	544 12 48-01	GEAR WHEEL	1	
10	735 31 26-00	RETAINING RING	1	
11	738 21 05-14	BALL BEARING	1	
12a	525 40 21-01	SPINDLE AXLE	1	1/2"
12b	525 40 22-01	SPINDLE AXLE	1	5/8"

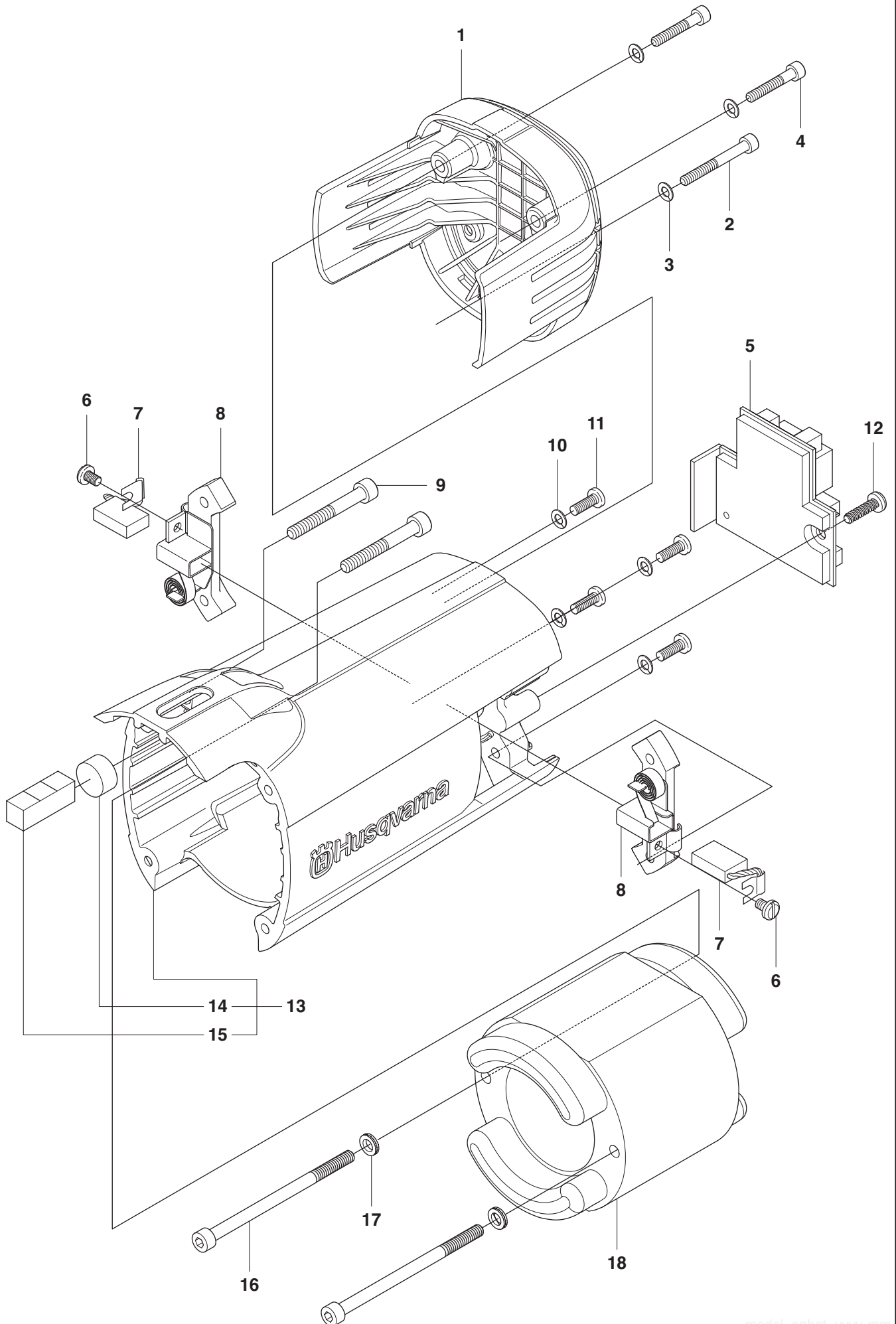
B1 DM230
MOTOR



Page B1
DM230

Pos.	Part No.	Description	Quantity	Notes
1	505 57 65-01	ROTOR ASSY BEARING	1	110 V, Incl. 4
1	505 57 66-01	ROTOR ASSY BEARING	1	230 V, Incl. 4
2	503 26 30-03	O-RING	1	
3	544 12 30-01	BEARING SUPPORT	1	
4	503 25 24-01	BALL BEARING	2	
5	544 12 43-01	COVER	1	
6	544 12 29-01	AIR CONDUCTOR	1	
7	735 31 28-10	CIRCLIP	1	
8	501 00 84-01	SPRING WASHER	1	
9	501 00 83-01	SEALING	1	
10	503 26 30-29	O-RING	1	
11	740 43 11-00	O-RING	1	
12	525 47 63-02	SCREW	4	
13	510 44 09-01	GASKET	1	

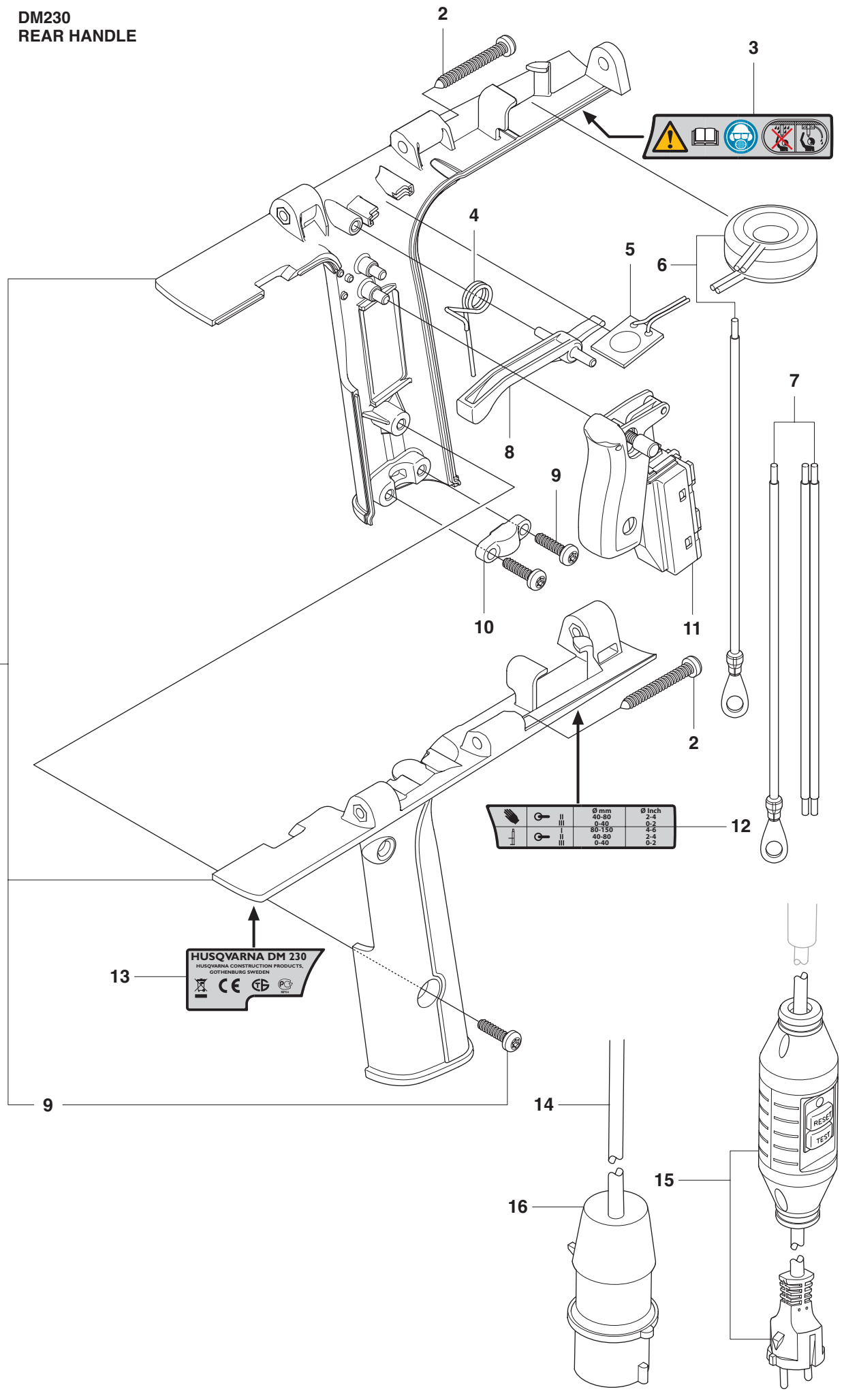
B2 DM230 MOTOR



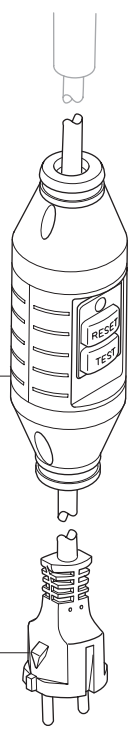
Page B2
DM230

Pos.	Part No.	Description	Quantity	Notes
1	525 40 23-01	REAR COVER	1	
2	503 20 74-35	SCREW	3	
3	735 11 46-50	SPRING WASHER	3	
4	503 20 74-25	SCREW	1	
5	544 12 34-02	PRINTED CIRCUIT ASSY	1	110 V
5	544 12 34-01	PRINTED CIRCUIT ASSY	1	230 V
6	723 22 85-81	SCREW	2	
7	531 07 39-00	CARBON BRUSH	2	
8	544 12 35-01	BRUSH HOLDER	2	
9	725 53 39-55	SCREW	2	
10	735 11 36-50	SPRING WASHER	4	
11	724 12 91-01	SCREW	4	
12	525 47 63-01	SCREW	1	
13	505 57 63-01	MOTOR HOUSING ASSY	1	Incl. 14 - 15
14	544 23 13-01	LEVELL	1	
15	544 23 12-01	LEVELL	1	
16	725 53 47-55	SCREW	2	
17	501 00 85-01	LOCK WASHER	2	
18	502 29 77-01	STATOR	1	110 V
18	544 12 55-01	STATOR	1	230 V

C1 DM230 REAR HANDLE



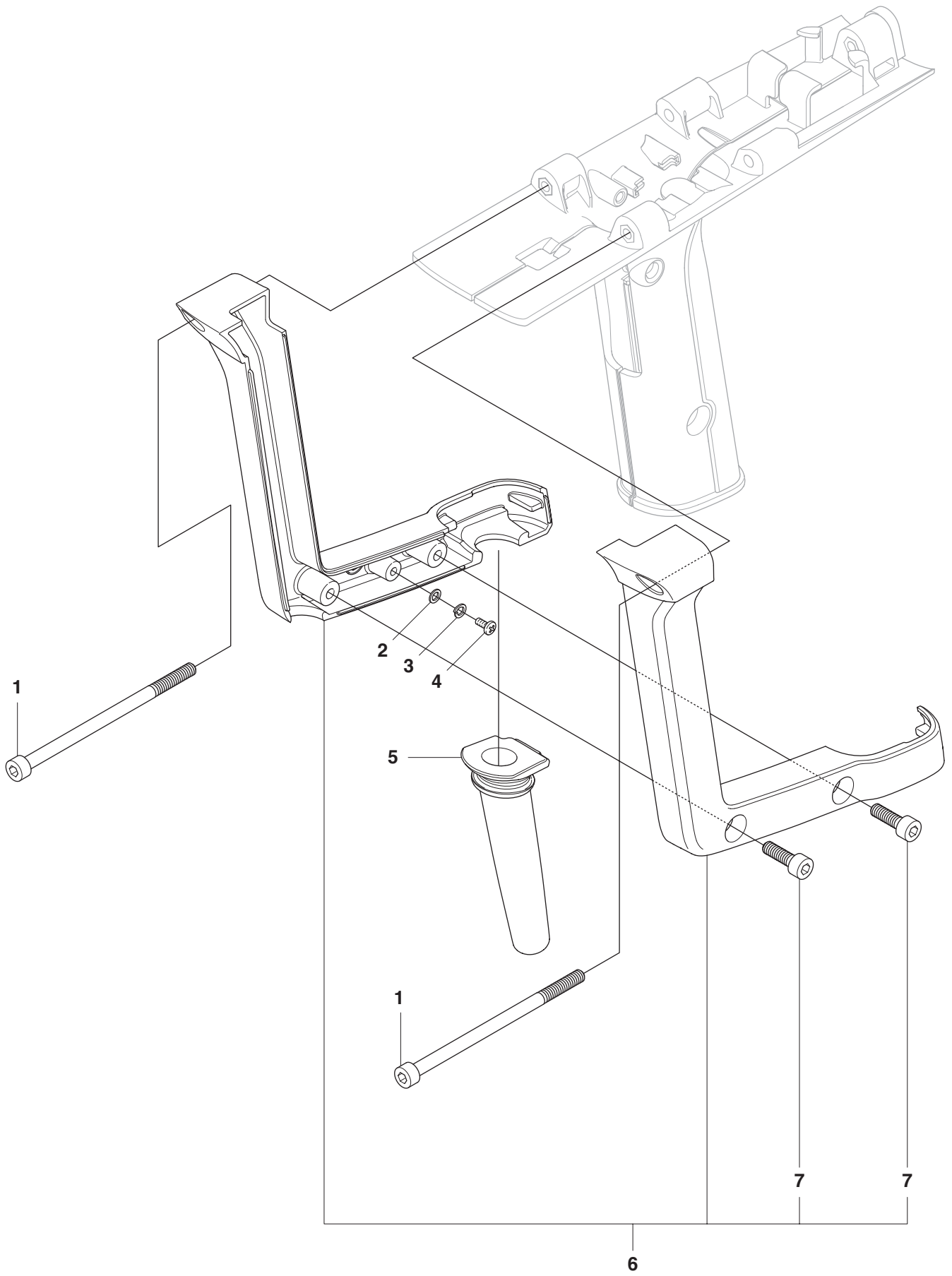
	II	III	Ø mm	Ø Inch
🔑	II	III	40-80	2-4
	I	II	0-60	0-2
🔩	I	II	80-150	4-6
	II	III	40-80	2-4
			0-40	0-2



Page C1
DM230

Pos.	Part No.	Description	Quantity	Notes
1	505 44 11-01	HANDLE ASSY	1	Incl. 9
2	525 47 63-02	SCREW	2	
3	502 63 53-01	LABEL	1	
4	544 12 56-01	SPRING	1	
5	544 13 14-01	BUTTON	1	
6	504 57 13-02	JOINTING CABLE	1	230V
7	504 57 13-01	JOINTING CABLE	1	110V
8	544 13 12-01	LEVER	1	
9	525 47 63-01	SCREW	3	
10	544 12 32-01	CABLE CLAMP	1	
11	544 12 95-01	TRIGGER	1	
12	502 63 50-01	LABEL	1	
13	502 63 49-01	LABEL	1	
14	505 52 02-17	CABLE	1	110V
15a	505 44 33-01	CABLE ASSY	1	230V, Incl. PRCD 10 mA, EU
15b	510 18 13-01	CABLE ASSY	1	120V, Incl. PRCD 6 mA, USA
15c	510 02 89-01	CABLE ASSY	1	230V, Incl. PRCD 10 mA, AUS
16	505 44 32-01	PLUG	1	UK

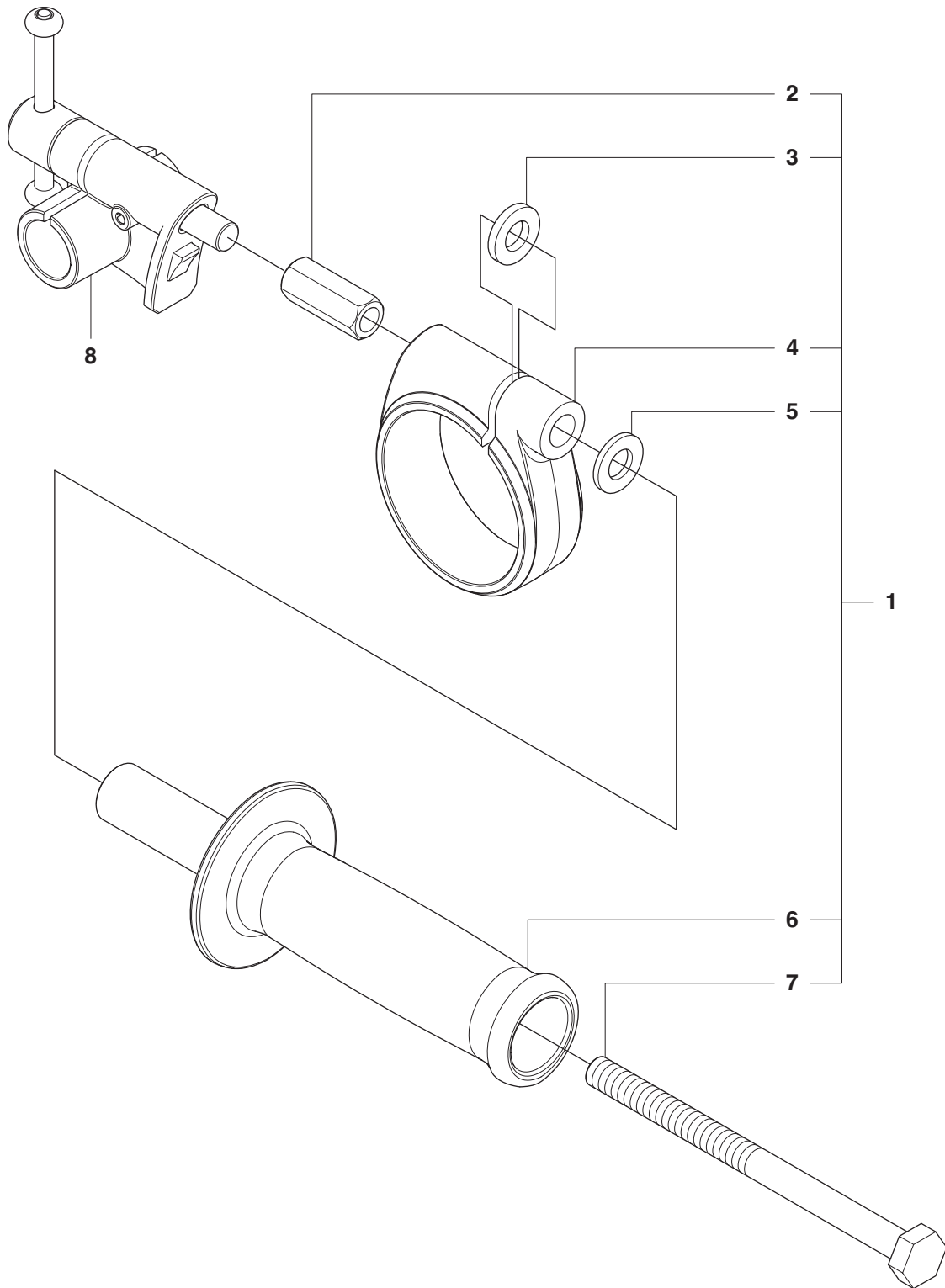
C2 DM230
REAR HANDLE



Page C2
DM230

Pos.	Part No.	Description	Quantity	Notes
1	725 53 49-55	SCREW	2	
2	734 11 36-01	WASHER	1	
3	735 21 36-01	LOCK WASHER	1	
4	724 12 87-01	SCREW	1	
5	544 90 05-01	CABLE SLEEVE	1	
6	505 44 13-01	HAND ASSY GUARD	1	Incl. 7
7	725 53 29-55	SCREW	2	

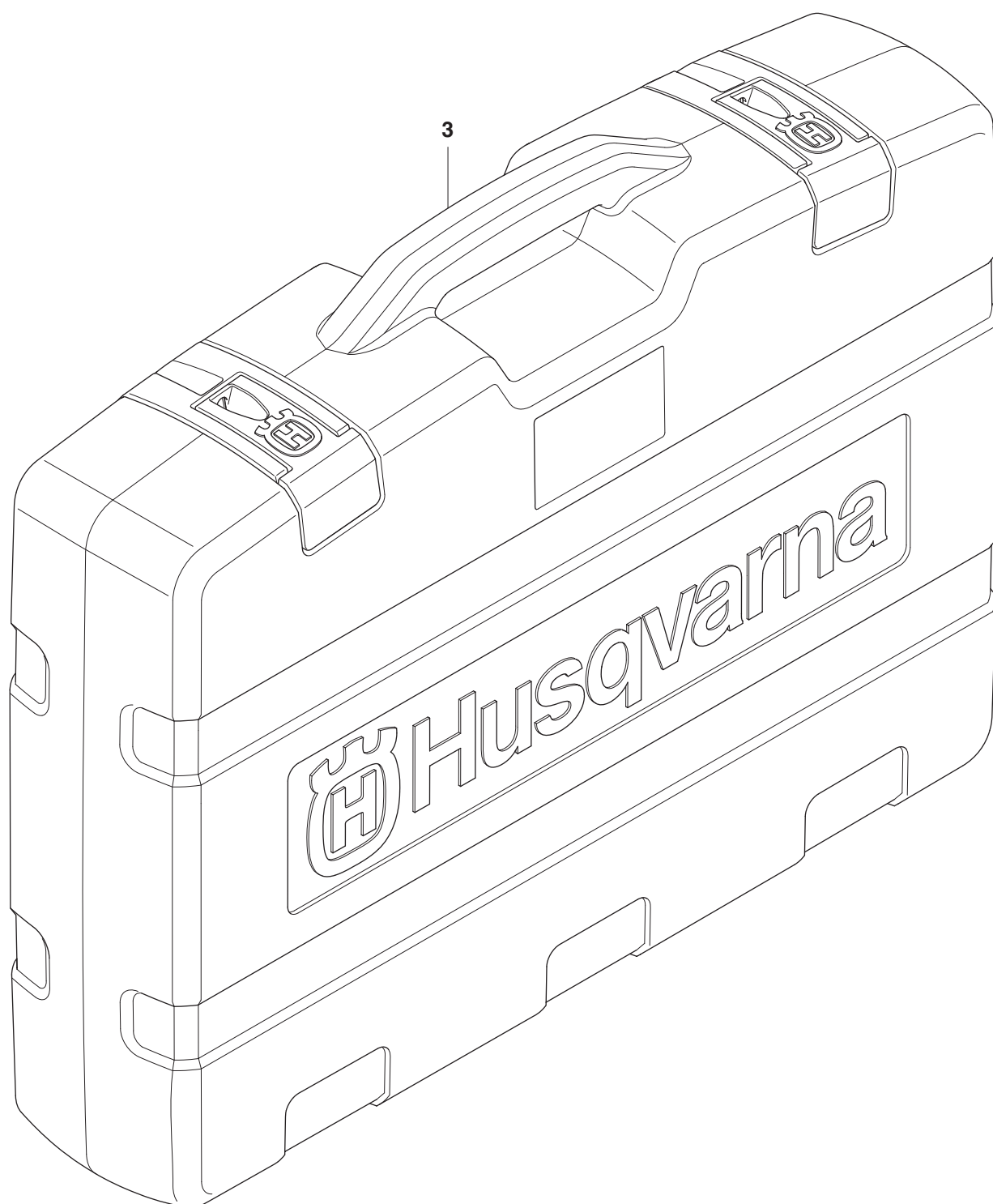
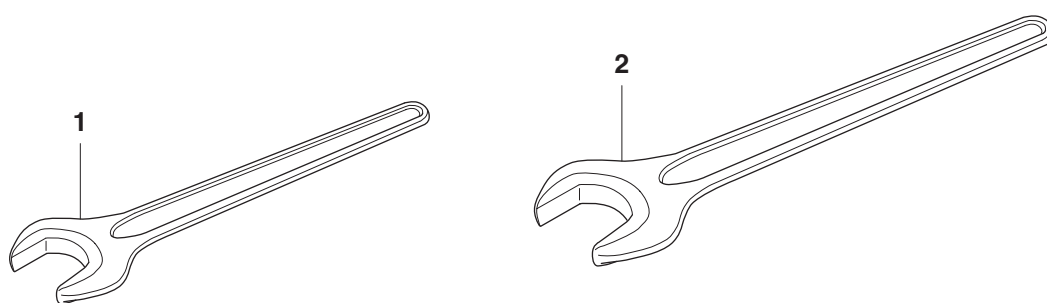
D DM230
FRONT HANDLE



Page D
DM230

Pos.	Part No.	Description	Quantity	Notes
1	504 57 15-01	FRONT HANDLE	1	Incl. 2 - 7
2	504 02 34-01	NUT	1	
3	504 02 77-01	WASHER RUBBER	1	
4	504 02 28-01	CLAMPING SLEEVE	1	
5	734 11 72-01	WASHER	1	
6	504 57 17-01	GRIP ASSY	1	
7	725 25 18-51	SCREW	1	
8	504 09 87-01	BRACKET ASSY	1	

E DM230
ACCESSORIES



Page E
DM230

Pos.	Part No.	Description	Quantity	Notes
1	531 14 09-51	SPANNER 24	1	24 mm
2	531 14 09-52	SPANNER 32	1	32 mm
3	502 29 45-01	CARRYING CASE	1	