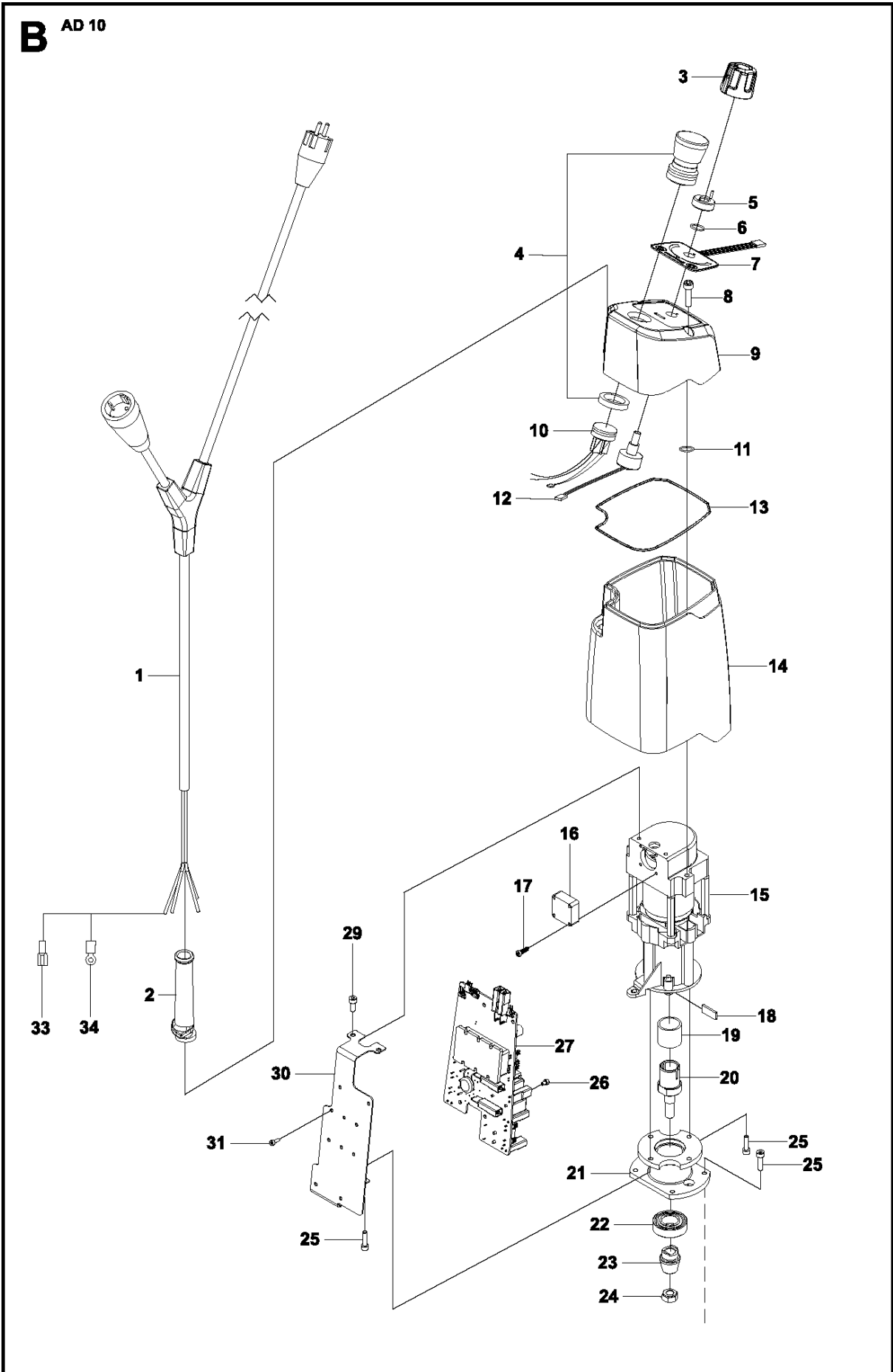




SPARE PARTS LIST

AUTOFEEDERS

AD10, 2011-06

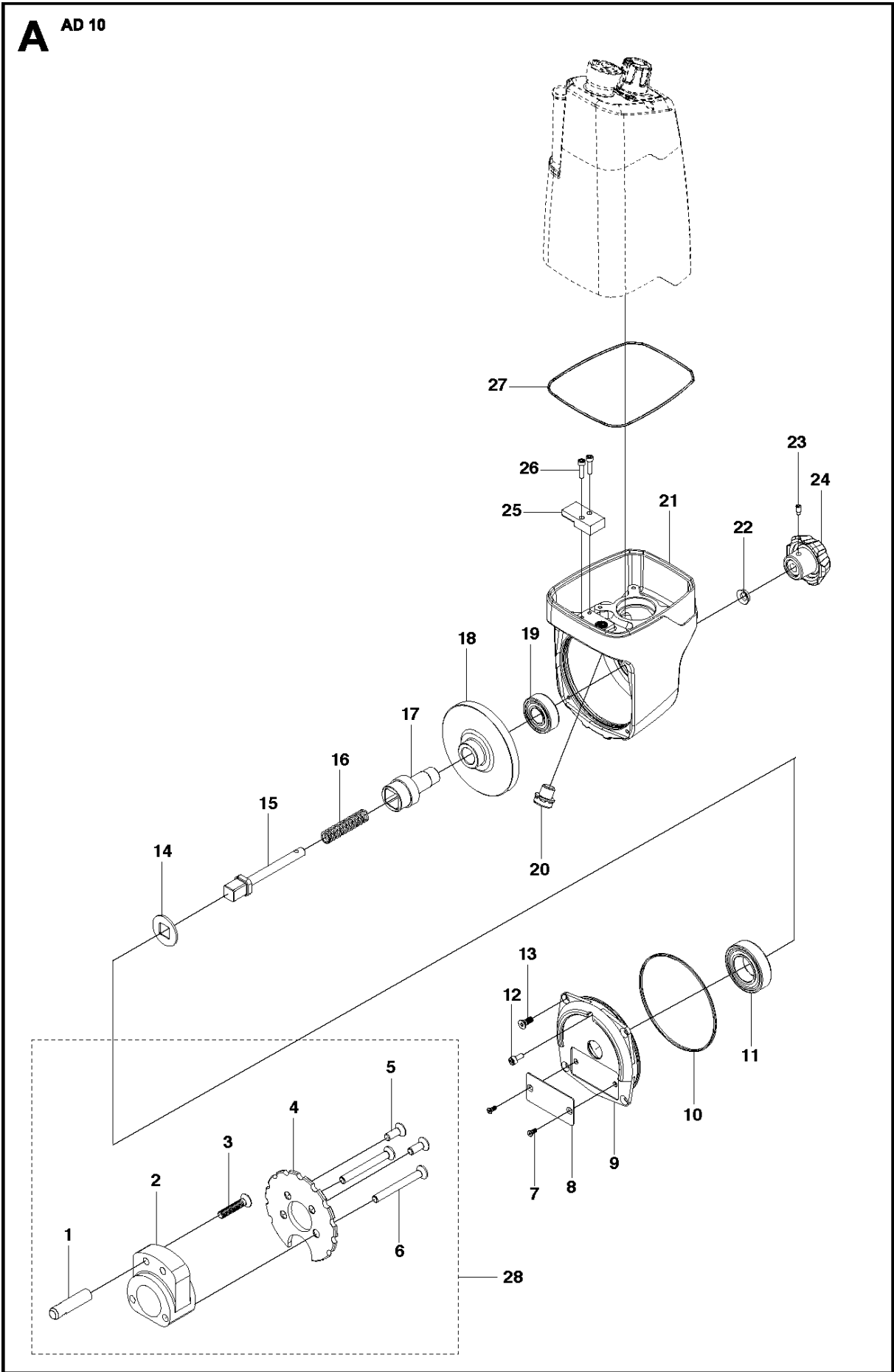


ELECTRICAL

AD10, 2011-06

Ref	Part No	Description	Remark	QTY KIT
1	575 78 91-02	CABLE	Y-cable AUS 230V	1
1	575 78 91-03	CABLE	Y-cable EU 230V	1
1	575 78 91-04	CABLE	Y-cable UK 110V	1
1	575 78 91-05	CABLE	Y-cable US 110V	1
1	575 78 91-06	CABLE	Y-cable CH 230V	1
1	575 78 91-07	CABLE	Y-cable US 230V	1
2	575 78 34-01	STRAIN RELIEVER		1
3	577 02 78-01	CONTROL KNOB W.ORING		1
4	576 63 64-01	STOP SWITCH		1
5	577 02 75-01	NUT COMPLETE		1
6	576 26 16-01	O-RING		1
7	575 82 43-01	CONTROL PANEL		1
8	725 53 29-01	SCREW IHSCM		2
9	525 35 02-01	MOTOR COVER		1
10	576 63 63-01	CABLE KIT		1
11	740 42 06-00	O-RING		2
12	576 63 62-01	CABLE KIT		1
13	531 11 93-76	O-RING		1
14	575 82 27-01	PLASTIC COVER		1
15	577 02 79-01	ELECTRIC MOTOR CPL.		1
16	576 63 40-01	ELECTRIC FAN		1
17	506 60 67-01	SCREW		4
18	575 82 35-01	WEDGE		1
19	575 82 34-01	SLEEVE		1
20	525 35 09-01	GEAR WHEEL SHAFT		1
21	575 78 33-01	FLANGE DISTANCE PIECE		1
22	738 21 02-04	BALL BEARING		1
23	506 09 86-02	PINION		1
24	732 25 18-01	HEXAGON LOCKING NUT		1
25	725 52 93-01	SCREW IHSCM		8
26	725 52 20-01	SCREW IHSCM		4
27	580 95 07-01	PRINTED CIRCUIT ASSY	230 V	1
27	580 95 07-02	PRINTED CIRCUIT ASSY	110 V	1
29	725 52 85-01	SCREW IHSCM		2
30	525 35 04-01	ATTACHMENT PLATE		1
31	576 63 42-01	SCREW		6
33	531 11 72-00	RECEPTABLE 2.5X6.3		5
34	531 11 71-90	Ringkabelsko 2.5x4.3		1

A AD 10

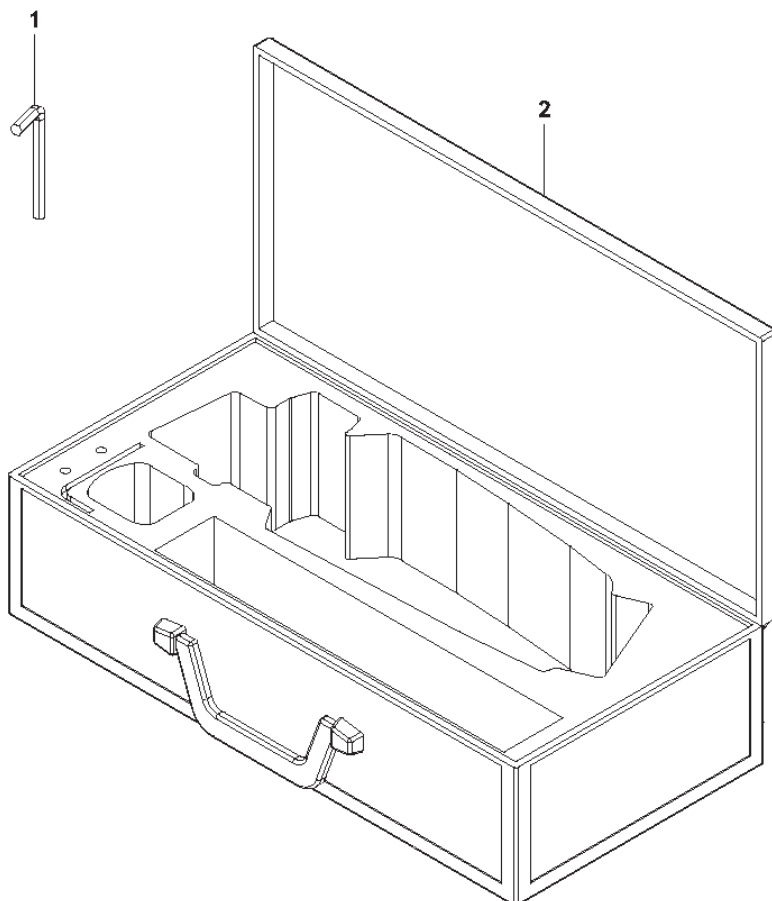


GEAR BOX

AD10, 2011-06

Ref	Part No	Description	Remark	QTY	KIT
1	576 04 22-01	PIN		1	28
2	576 04 21-01	DISTANCE		1	28
3	725 63 74-51	SCREW		1	28
4	576 04 20-01	GEAR RIM		1	28
5	725 63 68-51	SCREW IHCSFM		2	28
6	725 63 80-01	SCREW IHCSFM		2	28
7	531 11 93-52	SCREW		2	
8	576 39 61-01	TYPE PLATE	230 V	1	
8	576 39 62-01	TYPE PLATE	110 V	1	
9	525 35 28-01	GEAR CASE COVER		1	
10	576 63 61-01	O-RING		1	
11	738 21 05-04	BALL BEARING		1	
12	725 52 85-01	SCREW IHSCM		1	
13	725 62 91-51	SCREW IHCSFM		4	
14	525 35 29-01	PROTECTIVE WASHER		1	
15	525 35 27-01	DRIVE SHAFT		1	
16	531 11 95-06	SPRING		1	
17	525 35 26-01	BEARING SHAFT		1	
18	506 41 27-01	GEAR WHEEL		1	
19	738 22 02-24	BALL BEARING		1	
20	505 52 84-01	VENTILATING VALVE		1	
21	523 34 67-01	GEARBOX		1	
22	576 63 60-01	SEAL		1	
23	576 63 58-01	STOP SCREW		1	
24	575 82 47-01	KNOB		1	
25	575 82 48-01	CABLE CLAMP		1	
26	725 52 93-01	SCREW IHSCM		2	
27	574 45 29-01	O-RING		1	
28	585 16 45-01	HOLDER KIT		1	

C AD 10

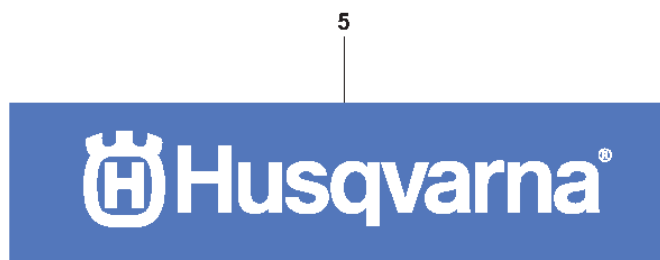


 **Husqvarna**
AD 10

— 3



— 4



TOOLS

AD10, 2011-06

Ref	Part No	Description	Remark	QTY KIT
1	531 11 95-39	INBUSSCHLUESSEL 4MM		1
2	576 63 47-01	CARRYING CASE		1
3	576 55 89-01	DECAL		1
4	576 55 90-01	WARNING SIGN		1
5	577 01 36-01	DECAL		1