

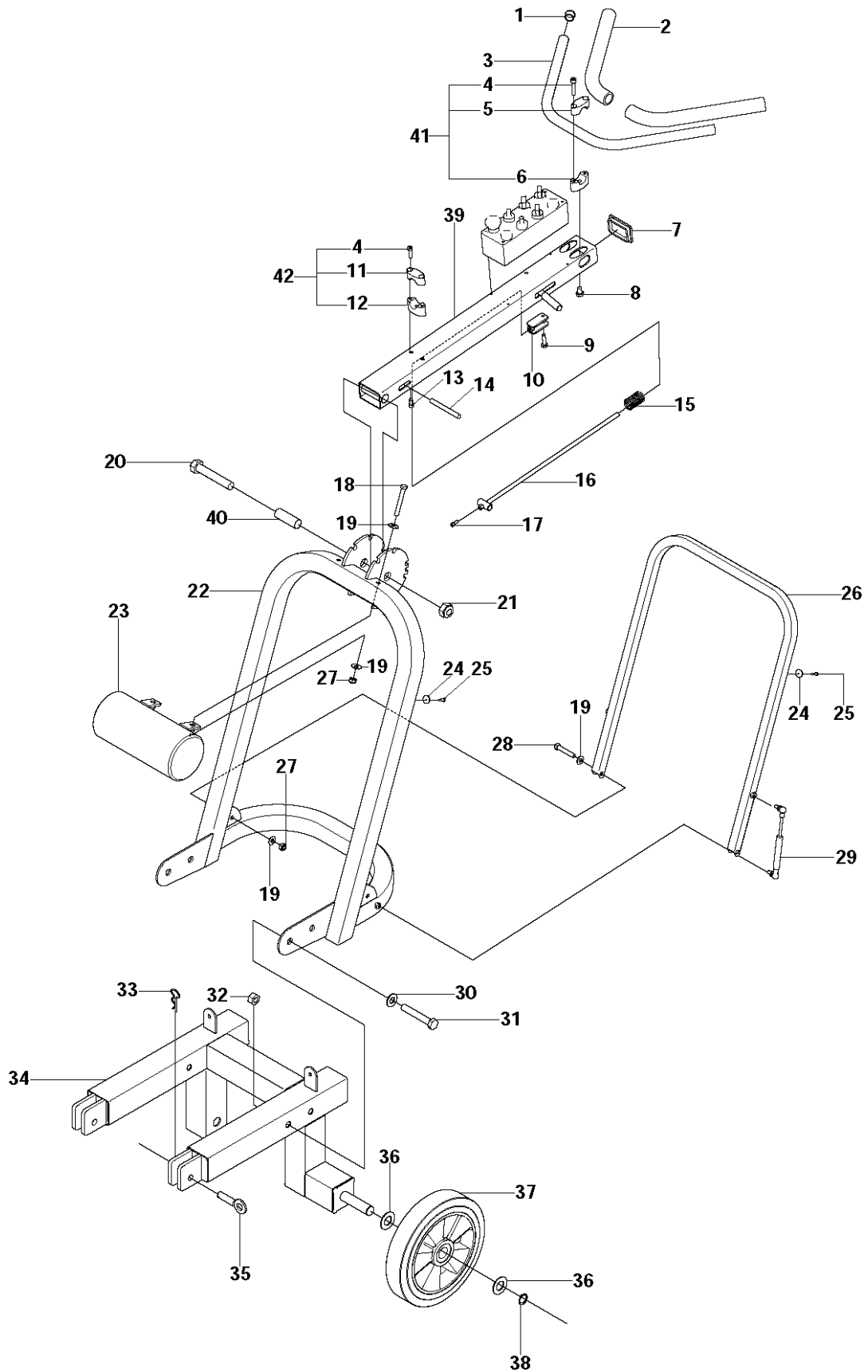


SPARE PARTS LIST

SURFACE PREPARATION EQUIPMENT

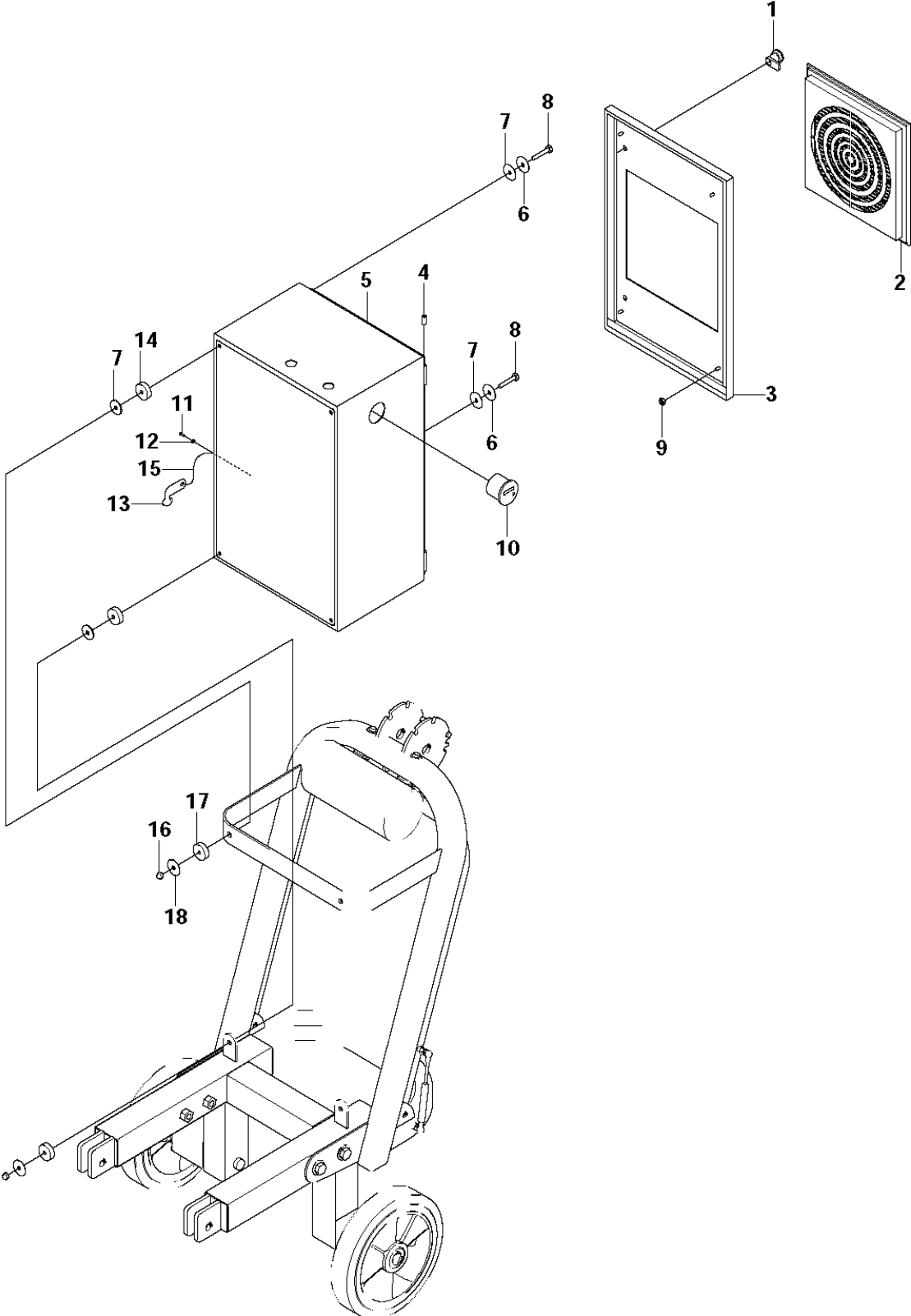
PG 820, To machine number 1108-8,
2008-09

B1



Ref	Part No	Description	Remark	QTY KIT
1	516 05 87-01	HUB CAP		2
2	502 54 49-22	RUBBER COVER		2
3	502 54 49-20	HANDLE TUBE		1
4	521 88 75-01	SCREW		6
5	516 05 88-01	CLAMP		2
6	516 05 89-01	CLAMP		2
7	516 05 90-01	HUB CAP		1
8	725 24 89-71	SCREW EHHM		2
9	725 24 55-76	SCREW EHHM		1
10	502 54 49-05	BRACKET		1
11	516 05 91-01	CLAMP		1
12	516 05 92-01	CLAMP		1
13	725 54 45-01	SCREW IHSCM		2
14	516 05 93-01	PIN		1
15	502 54 49-27	COMPRESSION SPRING		1
16	516 05 95-01	ROD		1
17	725 53 66-01	SCREW IHSCM		1
18	725 25 07-51	SCREW EHHM		2
19	734 11 72-01	WASHER		8
20	504 75 07-01	SCREW		1
21	504 75 06-01	LOCK NUT		1
22	502 54 47-01	CHASSIS		1
23	504 73 04-01	WEIGHT		1
24	516 05 96-01	BUMPER		4
25	521 88 65-01	SCREW		4
26	502 54 47-07	BAR		1
27	732 25 20-01	HEXAGON LOCKING NUT		4
28	725 25 02-51	SCREW EHHM		2
29	502 54 47-11	GAS STRUT		2
30	734 11 86-01	WASHER		4
31	504 75 13-01	SCREW EHHM		4
32	731 23 24-01	HEXAGON NUT		2
33	721 68 02-51	SPRING COTTER		2
34	502 54 48-01	CHASSIS		1
35	504 72 97-01	PIN		2
36	504 75 14-01	WASHER		4
37	502 54 50-01	WHEEL		2
38	735 31 26-00	CIRCLIP		2
39	502 54 49-02	HANDLEBAR ASSY		1
40	516 05 97-01	SLEEVE		1
41	502 54 49-25	HANDLE BAR		2
42	502 54 49-26	HANDLE BAR		1

B2

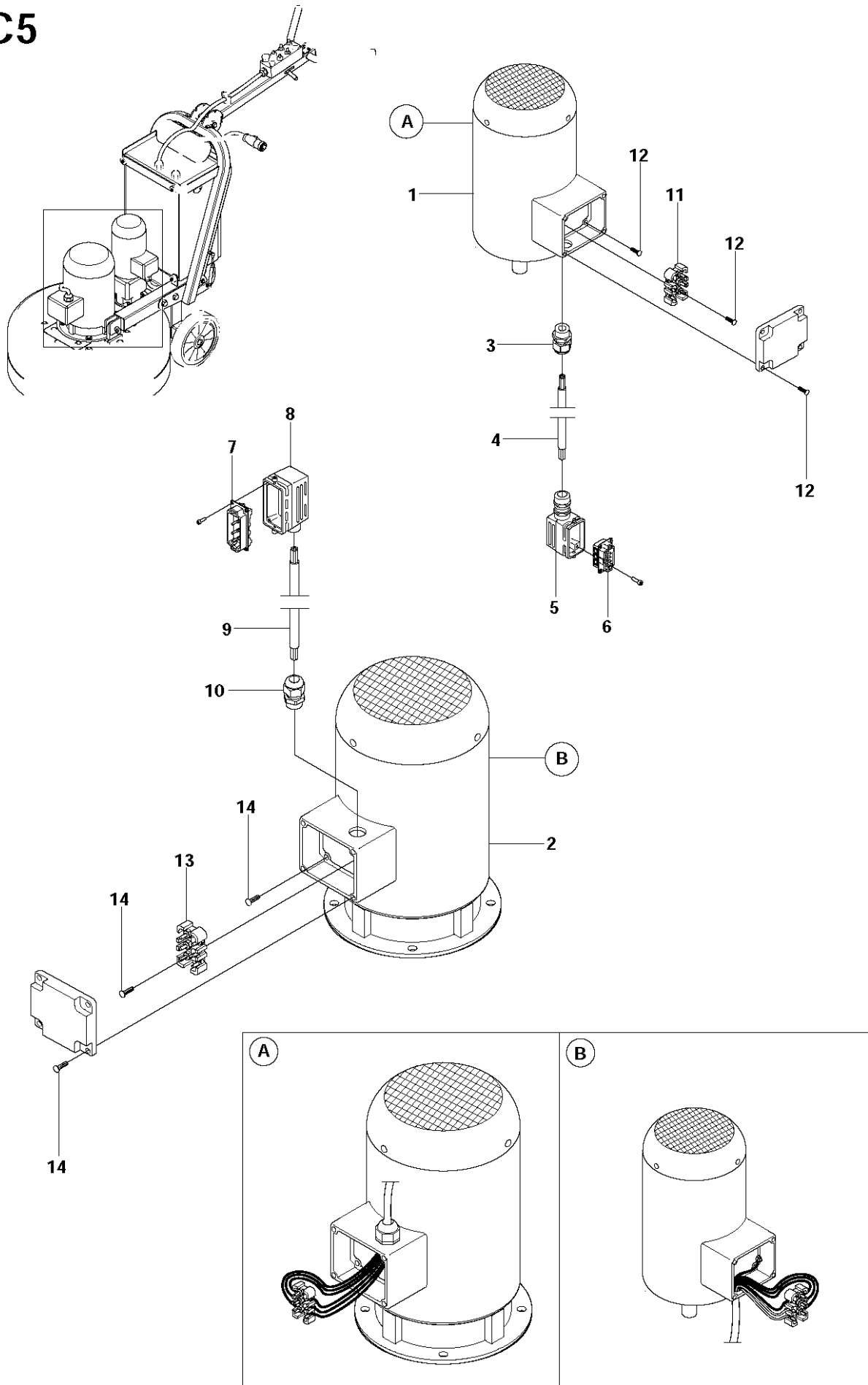


ELECTRICAL BOX EXTERNALS

PG 820, To machine number 1108-8, 2008-09

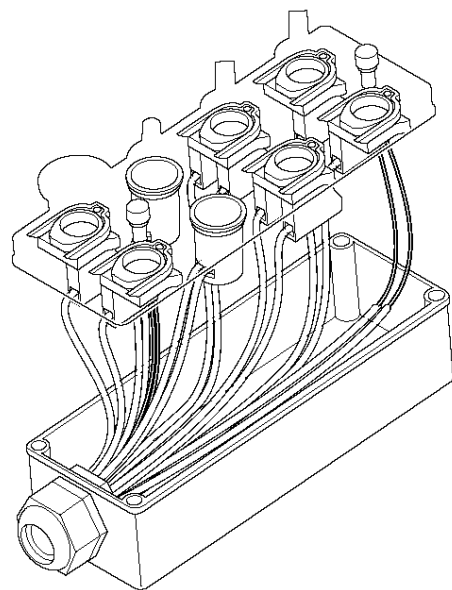
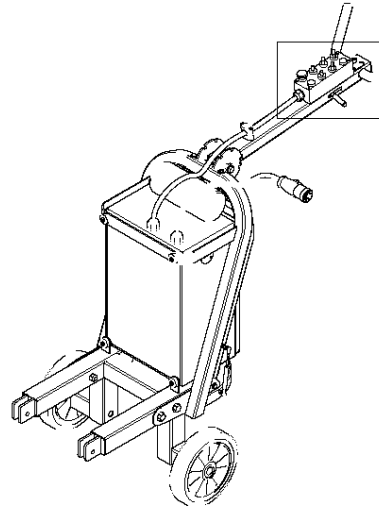
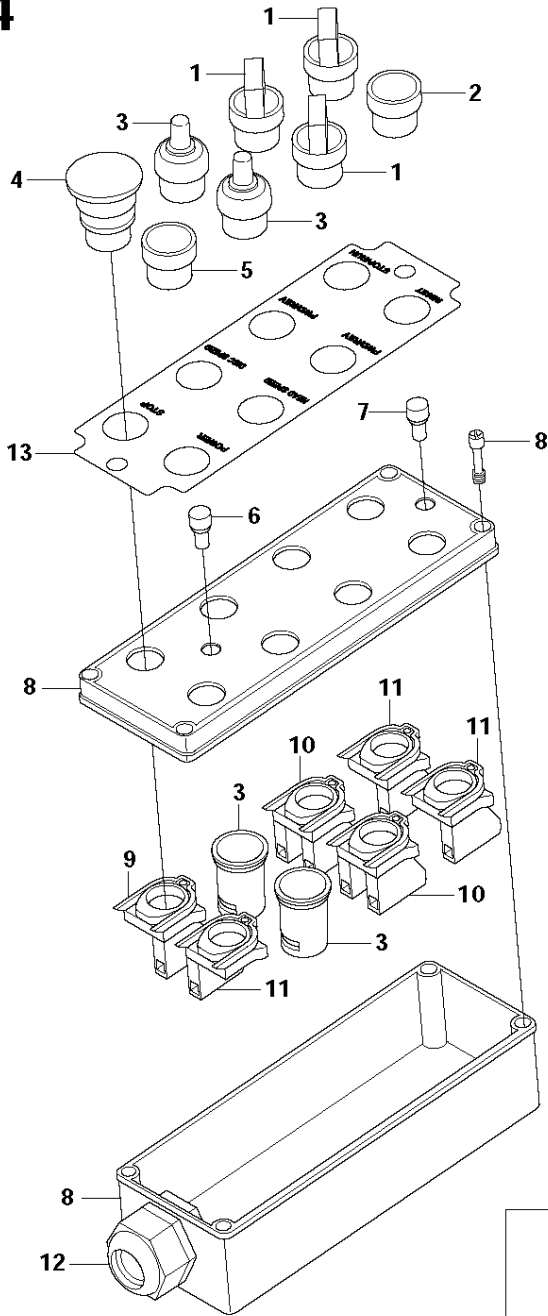
Ref	Part No	Description	Remark	QTY KIT
1	516 05 98-01	LATCH		2
2	502 54 41-01	VENT KIT		1
3	516 05 99-01	ELECTRIC BOX		1
4	516 06 00-01	PIN		2
5	502 54 43-01	ENCLOSURE		1
6	504 74 73-01	WASHER		4
7	516 06 01-01	WASHER		8
8	725 24 61-76	SCREW EHHM		4
9	732 25 16-01	HEXAGON LOCKING NUT		1
10	504 74 13-01	HOUR METER		1
11	521 88 64-01	SCREW		1
12	734 11 52-01	WASHER		1
13	516 06 02-01	KEY		1
14	502 53 39-01	WASHER		4
15	516 06 03-01	CABLE		1
16	504 75 30-01	FASTENER		4
17	515 98 41-01	WASHER		4
18	521 88 67-01	WASHER		4

C5



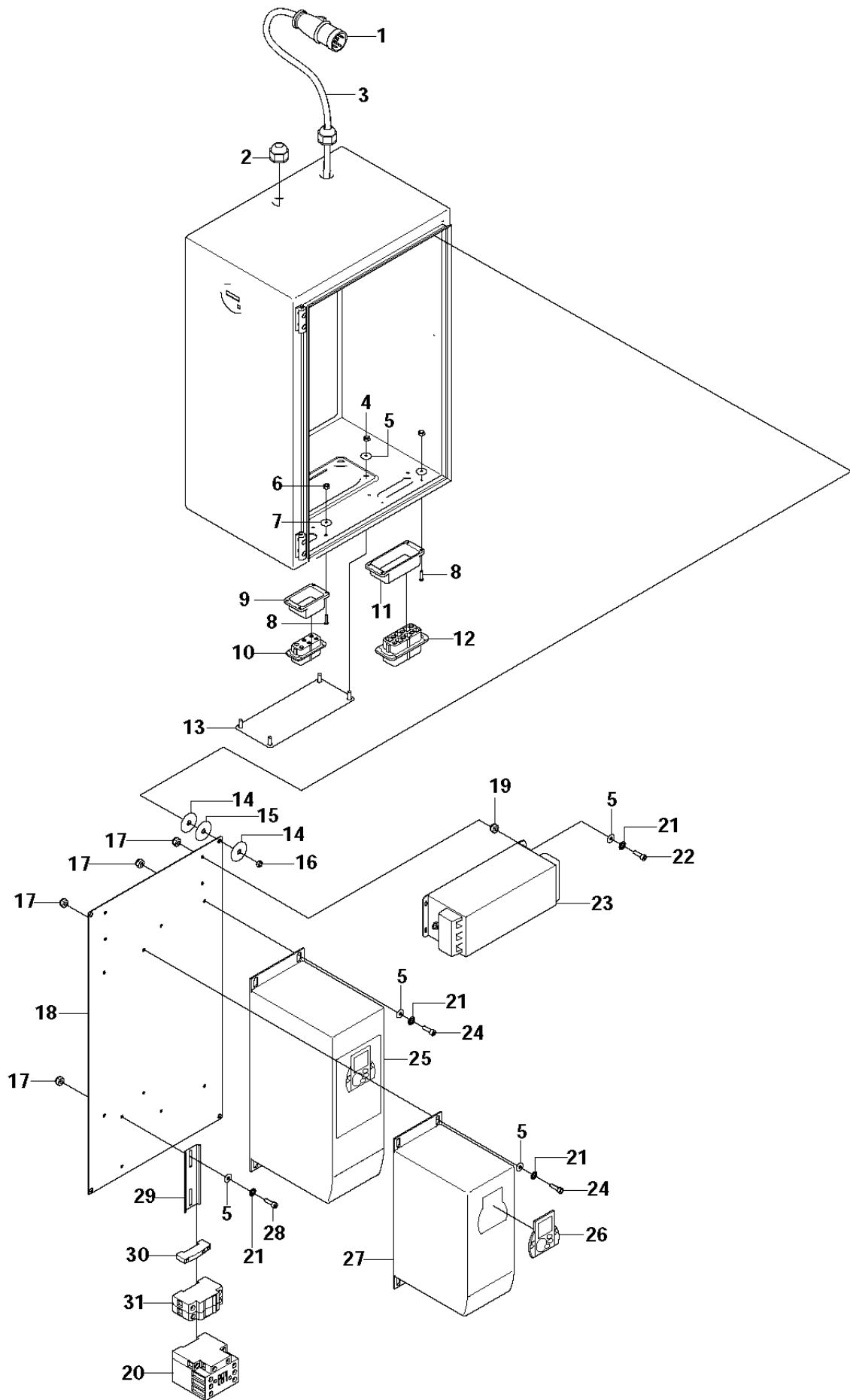
Ref	Part No	Description	Remark	QTY KIT
1	502 53 57-01	ELECTRIC MOTOR		1
2	502 53 52-01	ELECTRIC MOTOR		1
3	516 06 12-01	GROMMET		1
4	504 74 03-01	POWER CABLE		1
5	516 06 13-01	HOOD		1
6	516 06 14-01	CONNECTOR		1
7	516 06 15-01	CONNECTOR		1
8	516 06 16-01	HOOD		1
9	516 06 17-01	CABLE		1
10	516 06 18-01	GROMMET		1
11	516 06 19-01	TERMINAL BLOCK		1
12	521 88 69-01	SCREW		9
13	516 06 20-01	TERMINAL BLOCK		1
14	521 88 70-01	SCREW		9

C4



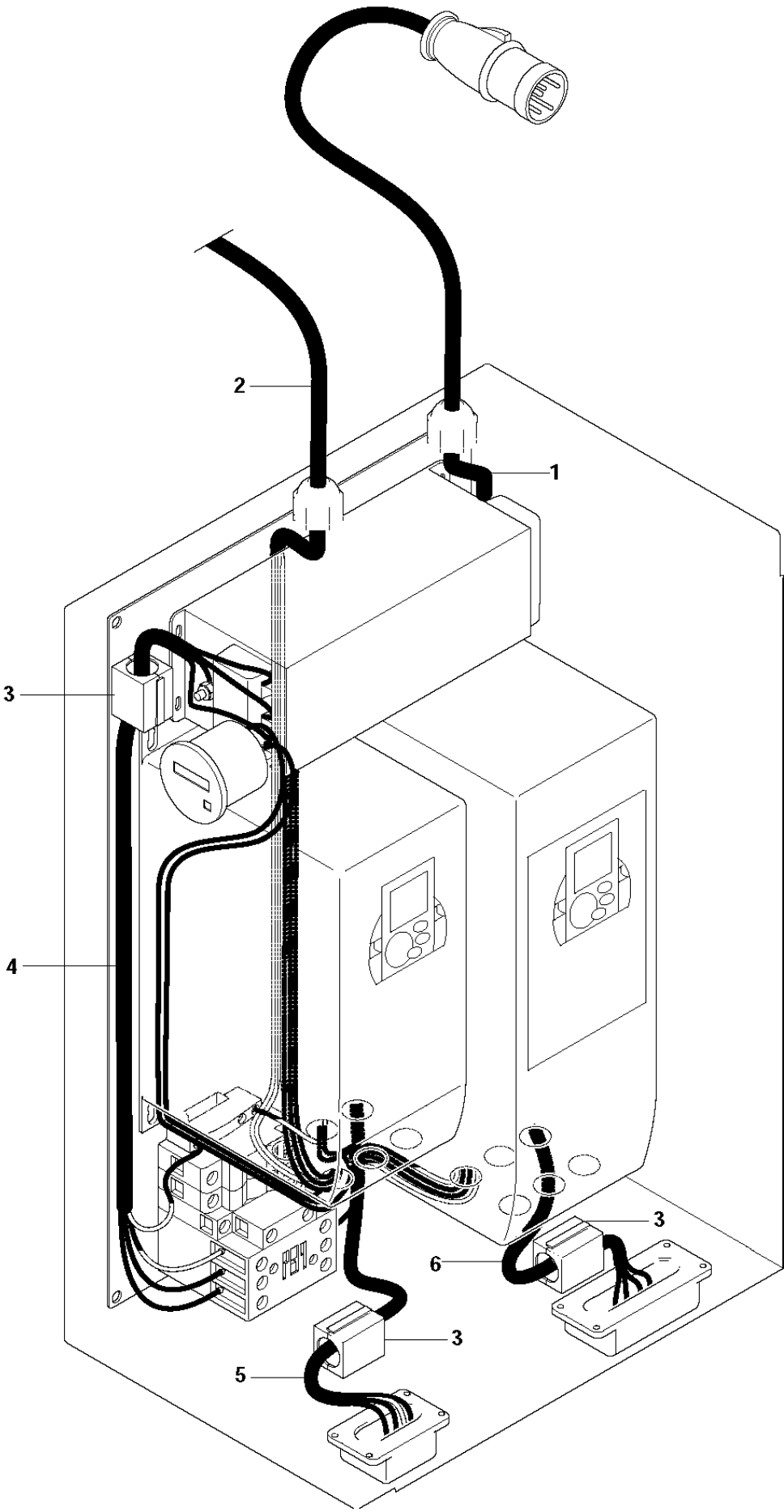
Ref	Part No	Description	Remark	QTY KIT
1	504 73 86-01	SWITCH		3
2	504 73 88-01	PUSH BUTTON		1
3	502 54 29-01	POTENTIOMETER		2
4	504 73 94-01	BUTTON		1
5	504 73 90-01	PUSH BUTTON		1
6	504 73 97-01	LAMP		1
7	504 73 96-01	LAMP		1
8	502 54 46-01	ELECTRIC BOX		1
9	504 73 95-01	BUTTON BODY		1
10	504 73 87-01	BUTTON BODY		2
11	504 73 89-01	BUTTON BODY		3
12	502 55 51-01	ENCLOSURE		1
13	502 54 33-01	DECAL		1

C3



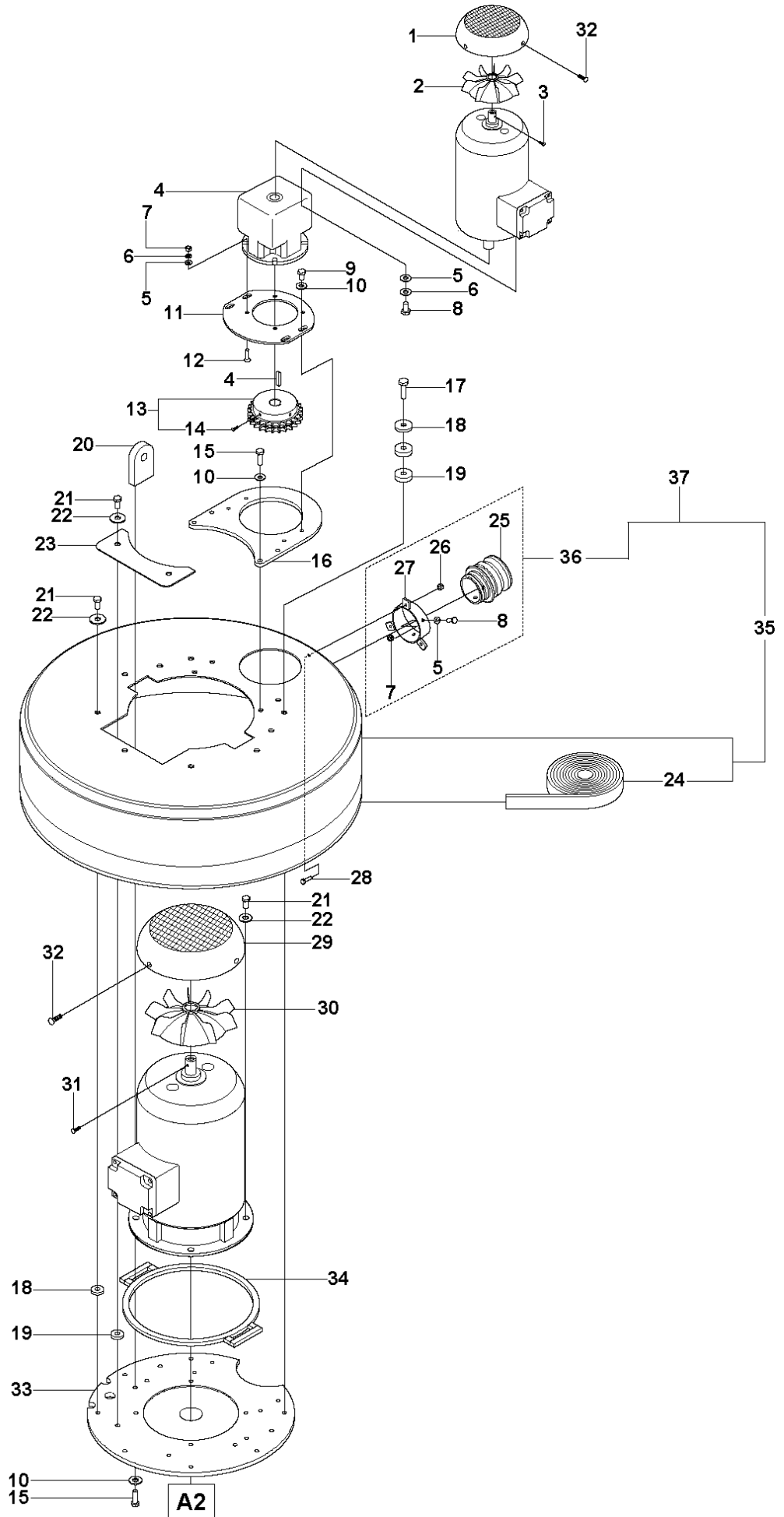
Ref	Part No	Description	Remark	QTY KIT
1a	502 54 40-01	PLUG	32AMP 4 PIN MALE PLUG	1
1b	515 98 55-01	PLUG	AUS (400V)	1
1c	531 11 71-36	PLUG	32AMP 4 PIN MALE PLUG	1
1d	515 98 56-01	PLUG	CAN (600V)	1
2	502 54 39-01	GROMMET	32AMP 5 PIN MALE PLUG	2
3	504 74 02-01	POWER CABLE	EU (400V)	1
4	732 25 16-01	HEXAGON LOCKING NUT	63AMP 4 PIN MALE PLUG	4
5	734 11 52-01	WASHER	JPN/USA (200V)	18
6	732 25 12-01	HEXAGON LOCKING NUT		8
7	734 11 37-41	WASHER		8
8	521 88 74-01	SCREW CRPANM		8
9	516 06 04-01	HOUSING		1
10	516 06 05-01	CONNECTOR		1
11	516 06 06-01	HOUSING		1
12	516 06 07-01	CONNECTOR		1
13	516 06 08-01	PLATE		1
14	504 74 73-01	WASHER		8
15	516 06 01-01	WASHER		4
16	732 25 18-01	HEXAGON LOCKING NUT		4
17	521 88 66-01	RIVET		14
18	516 06 09-01	PLATE		1
19	502 53 40-14	SPACER		8
20	502 54 36-01	CONTACTOR		1
21	735 21 53-01	LOCK WASHER		18
22	521 88 76-01	SCREW		4
23	504 71 71-01	FILTER		1
24	725 53 70-51	SCREW IHSCM		8
25	502 54 25-01	FREQUENCY INVERTER		1
26a	516 06 10-01	PANEL	NXL DISPLAY PANEL	2
26b	505 46 40-01	KEYBOARD	NXS DISPLAY PANEL	2
27	502 54 26-01	FREQUENCY INVERTER		1
28	541 40 51-78	SCREW IHANM		2
29	516 06 11-01	RAIL		1
30	502 54 38-01	TERMINAL BLOCK		1
31	502 54 37-01	CIRCUIT BREAKER		1

C2



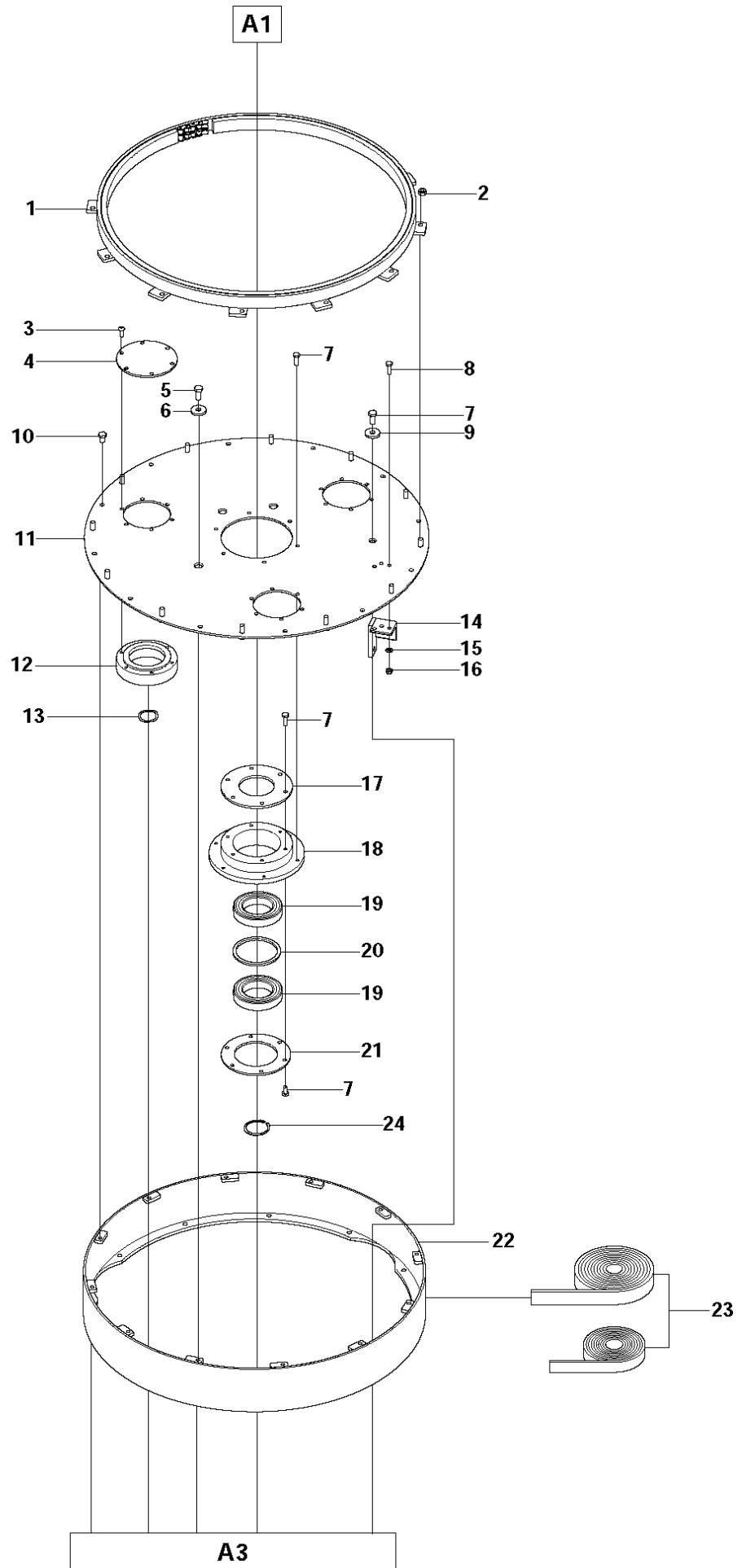
Ref	Part No	Description	Remark	QTY KIT
1	504 74 02-01	POWER CABLE		1
2	502 54 42-01	WIRING		1
3	504 71 72-01	FERRITE		3
4	516 05 77-01	CABLE		1
5	516 05 76-01	CABLE		1
6	516 05 75-01	CABLE		1

A1



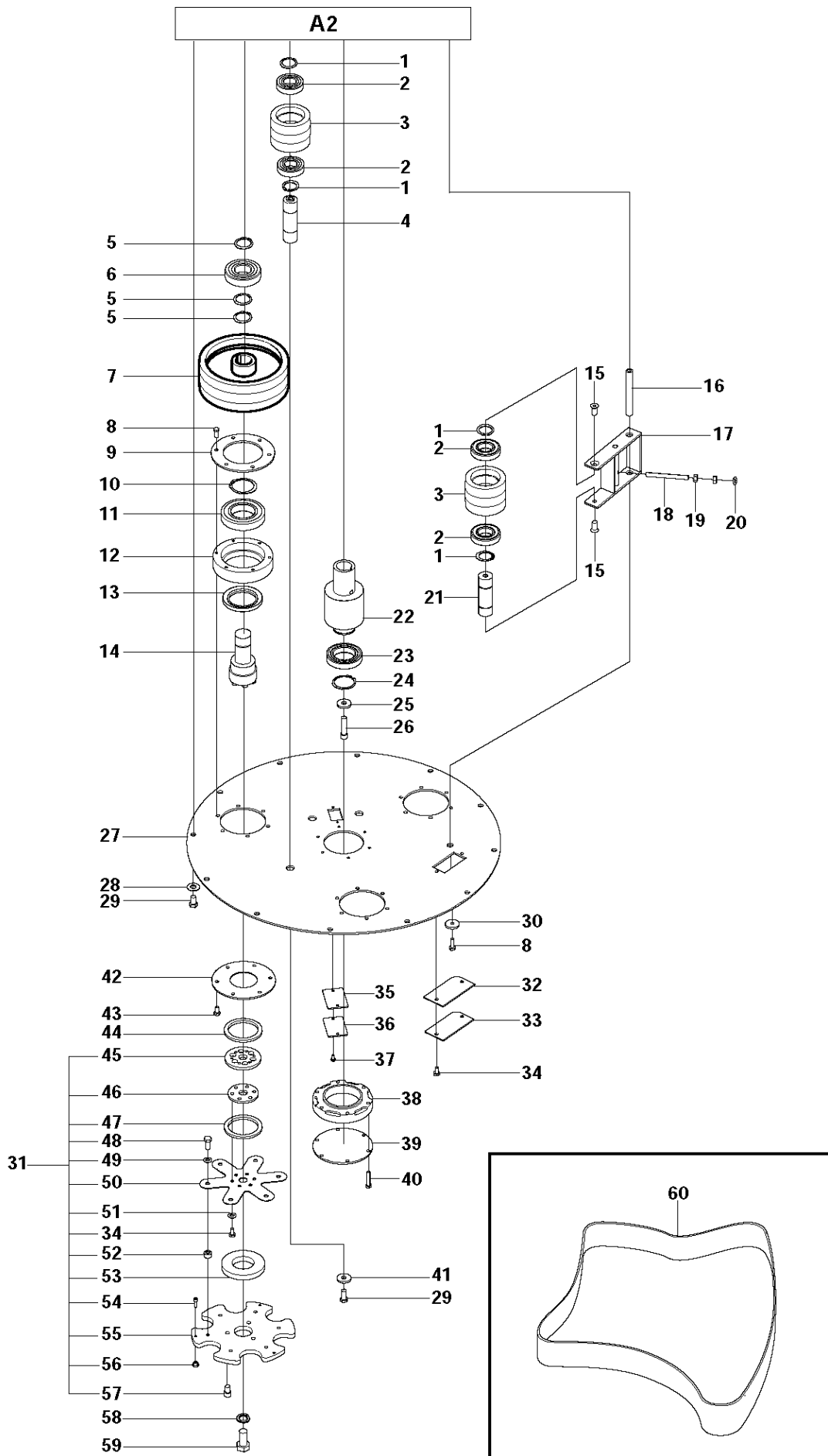
Ref	Part No	Description	Remark	QTY KIT
1	516 05 68-01	COVER		1
2	516 05 70-01	FAN		1
3	516 05 71-01	PIN		1
4	502 53 56-01	GEARBOX		1
5	734 11 63-01	WASHER		10
6	735 11 64-01	SPRING WASHER		8
7	732 25 18-01	HEXAGON LOCKING NUT		10
8	725 24 53-76	SCREW EHHM		6
9	725 24 89-71	SCREW EHHM		4
10	734 11 72-01	WASHER		12
11	502 53 81-01	PLATE		1
12	725 64 55-01	SCREW IHCSFM		4
13	502 54 24-01	DRIVE SPROCKET ASSY		1
14	728 54 51-05	SCREW IHSETM		2
15	725 24 97-71	SCREW EHHM		8
16	502 53 80-01	BRACKET		1
17	725 25 42-71	SCREW EHHM		2
18	504 72 63-04	WASHER		19
19	504 72 63-03	WASHER		5
20	504 72 90-01	LIFTING LUG		2
21	725 25 34-71	SCREW EHHM		13
22	734 11 78-01	WASHER		13
23	504 72 93-01	COVER PLATE		1
24	502 53 85-01	VELCRO		1
25	504 72 98-02	COUPLING		1
26	724 33 70-51	SCREW CRCSFM		3
27	504 72 98-03	BRACKET		1
28	732 25 16-01	HEXAGON LOCKING NUT		3
29	516 05 72-01	COVER		1
30	516 05 73-01	FAN		1
31	516 05 74-01	PIN		1
32	521 88 71-01	SCREW		7
33	502 53 76-01	PLATE		1
34	516 05 78-01	SEAL		1
35	502 53 84-01	COVER		1
36	504 72 98-01	PORT		1
37	516 05 79-01	COVER		1

A2



Ref	Part No	Description	Remark	QTY KIT
1	502 53 86-01	CHAIN RING		1
2	732 25 20-01	HEXAGON LOCKING NUT		12
3	504 75 02-01	SCREW IHPANM		18
4	502 53 79-01	COVER PLATE		3
5	725 25 32-71	SCREW EHHM		3
6	504 72 95-01	WASHER		3
7	725 24 51-76	SCREW EHHM		19
8	725 24 53-76	SCREW EHHM		3
9	504 74 73-01	WASHER		2
10	725 24 89-71	SCREW EHHM		12
11	502 53 74-01	TOP PLATE		1
12	502 53 71-01	BEARING HOUSING		3
13	502 53 99-01	WAVE WASHER		3
14	504 72 99-01	STRUT		1
15	734 11 63-01	WASHER		3
16	732 25 18-01	HEXAGON LOCKING NUT		3
17	504 72 82-01	PLATE		1
18	502 53 72-01	BEARING HOUSING		1
19	502 53 89-01	BALL BEARING		2
20	504 72 88-01	SPACER		1
21	504 72 81-01	PLATE		1
22	502 53 83-01	RIM		1
23	502 53 48-01	PLANETARY SEAL RUBBER		1
24	502 53 90-01	CIRCLIP		1

A3



Ref	Part No	Description	Remark	QTY KIT
1	502 53 92-01	CIRCLIP		8
2	502 53 91-01	BALL BEARING		8
3	502 53 68-01	PULLEY		4
4	502 53 67-01	SHAFT		3
5	502 53 94-01	CIRCLIP		9
6	502 53 93-01	BALL BEARING		3
7	502 53 64-01	PULLEY		3
8	725 24 51-76	SCREW EHHM		19
9	502 53 77-01	PLATE		3
10	502 53 96-01	CIRCLIP		3
11	502 53 95-01	BALL BEARING		3
12	502 53 70-01	BEARING HOUSING		3
13	502 53 97-01	RADIAL SEAL		3
14	502 53 66-01	PULLEY SHAFT		3
15	725 64 93-01	SCREW IHCSFM		2
16	516 05 81-01	SHAFT		1
17	502 53 82-01	FRAME		1
18	516 05 82-01	ROD		1
19	731 23 20-01	HEXAGON NUT		2
20	734 11 72-01	WASHER		1
21	502 53 69-01	SHAFT		1
22	502 53 65-01	PULLEY		1
23	502 53 87-01	BALL BEARING		1
24	502 53 88-01	CIRCLIP		1
25	504 72 63-03	WASHER		1
26	504 74 88-01	SCREW IHSCM		1
27	502 53 75-01	BOTTOM PLATE		1
28	734 11 78-01	WASHER		12
29	725 25 32-71	SCREW EHHM		15
30	504 72 86-01	WASHER		1
31	502 53 40-01	SPRING STEEL SYSTEM		3
32	516 05 84-01	SEAL		1
33	504 72 78-01	COVER PLATE		1
34	725 24 49-76	SCREW EHHM		20
35	516 05 85-01	SEAL		1
36	504 72 79-01	COVER PLATE		1
37	725 23 66-71	SCREW EHHM		2
38	502 53 73-01	BEARING HOUSING		1
39	502 53 78-01	COVER PLATE		1
40	725 24 60-51	SCREW EHHM		6
41	504 72 95-01	WASHER		3
42	504 72 80-01	COVER PLATE		3
43	725 24 53-76	SCREW EHHM		18
44	502 53 98-01	SEAL		3
45	502 53 40-06	HUB		3
46	502 53 40-04	SPACER PLATE		3
47	502 53 40-05	RUBBER RING		3
48	725 24 93-76	SCREW EHHM		18
49	734 11 72-01	WASHER		18
51	502 53 42-01	SPRING PLATE		3
52	734 11 63-01	WASHER		18
53	502 53 40-14	SPACER		18
54	502 53 43-01	RING		3
55	725 53 70-51	SCREW IHSCM		9
56	502 53 40-02	PLATE		3
57	502 53 44-01	LOCK		3
58	502 54 23-01	DRIVE BELT		3
59	504 74 84-01	SCREW IHSCM		9
60	504 74 96-03	LOCK WASHER		9
50	504 74 89-01	SCREW EHHM		1