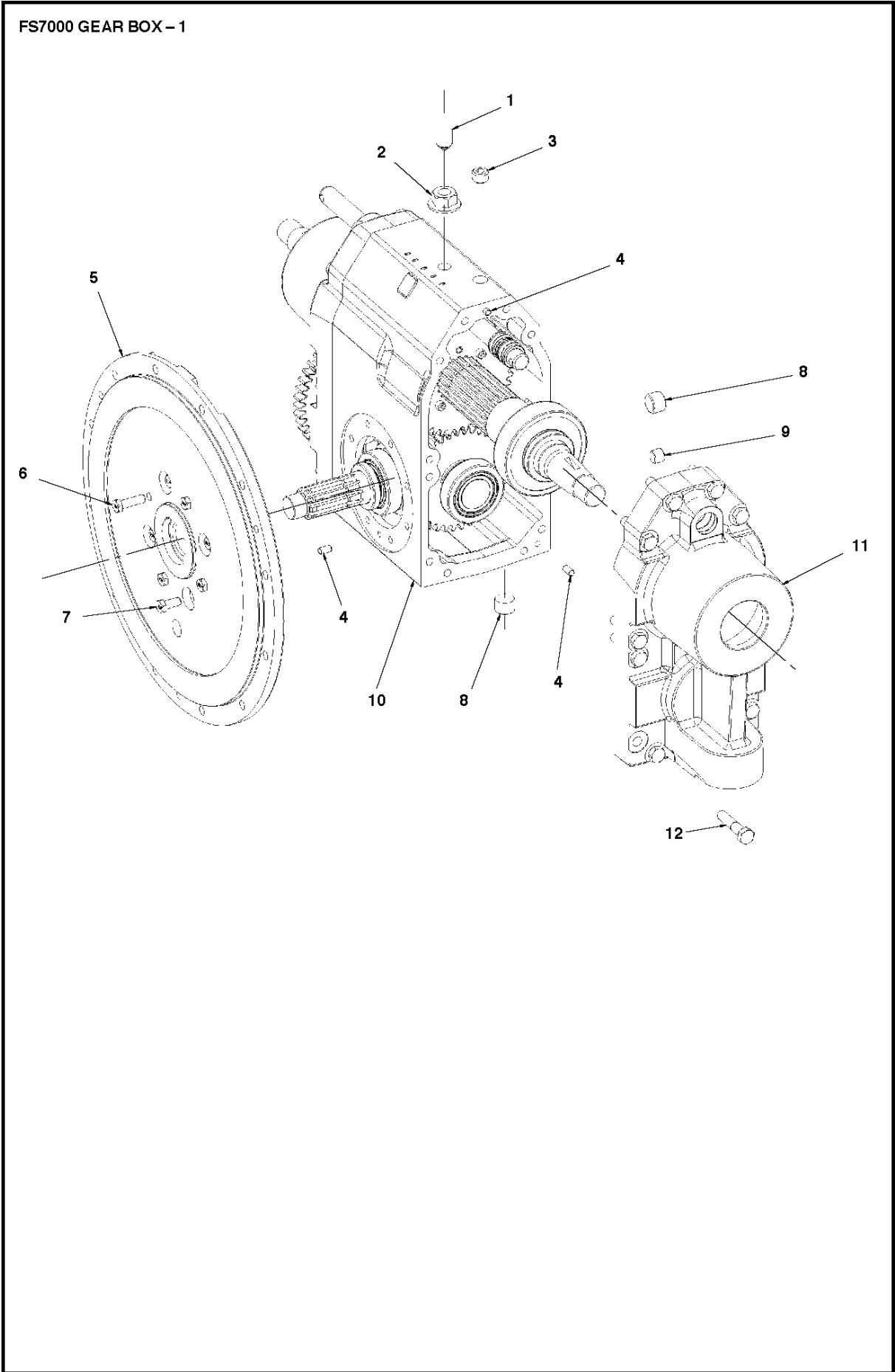




SPARE PARTS LIST

FLOOR SAWS

3-SPEED FOR FS6600, FS6800, FS7000,
FS8400, FS9900

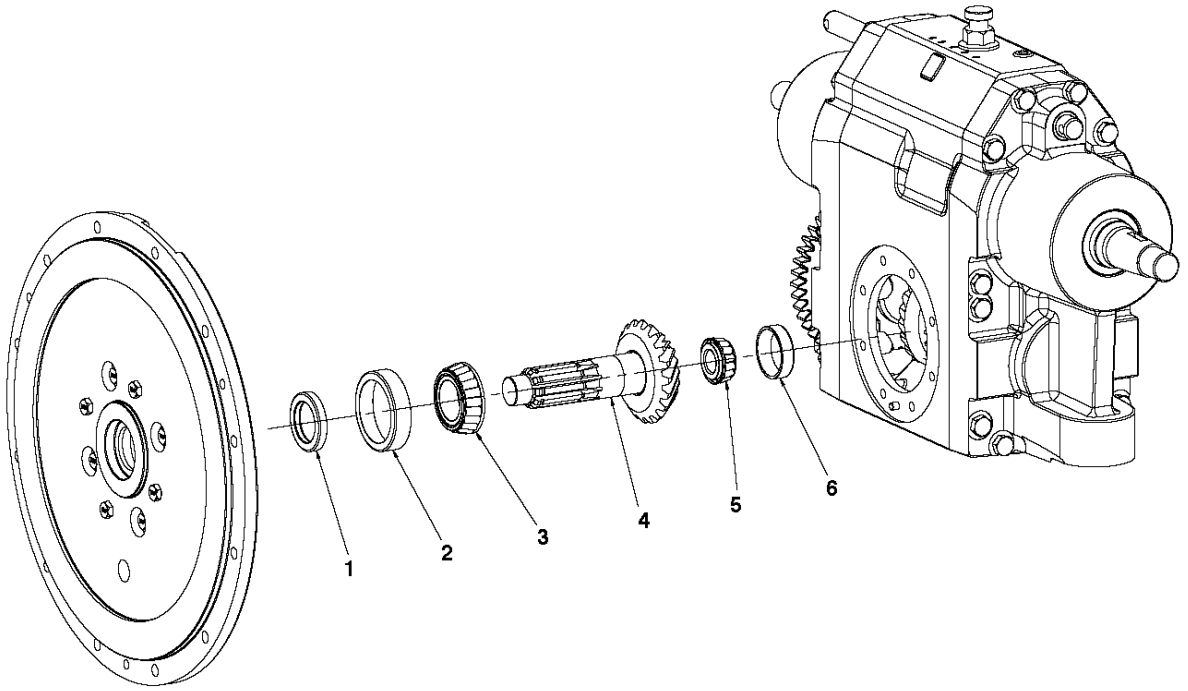


GEAR BOX - EXTERNALS

3-SPEED FOR FS6600, FS6800, FS7000, FS8400, FS9900

Ref	Part No	Description	Remark	QTY KIT
1	586 91 72-01	LOCK		1
2	731 71 24-51	NUT		1
3	577 18 27-02	PLUG		1
4	577 18 28-01	PIN		5
5	577 18 24-01	ADAPTER		1
6	725 24 55-76	SCREW EHHM		4
7	725 24 51-76	SCREW EHHM		4
8	577 18 27-03	PLUG		7
9	577 18 27-01	PLUG		1
10	586 91 68-01	GEAR BOX		1
11	586 91 69-01	GEAR BOX		2
12	725 25 01-76	SCREW EHHM		24

FS7000 GEAR BOX - 2

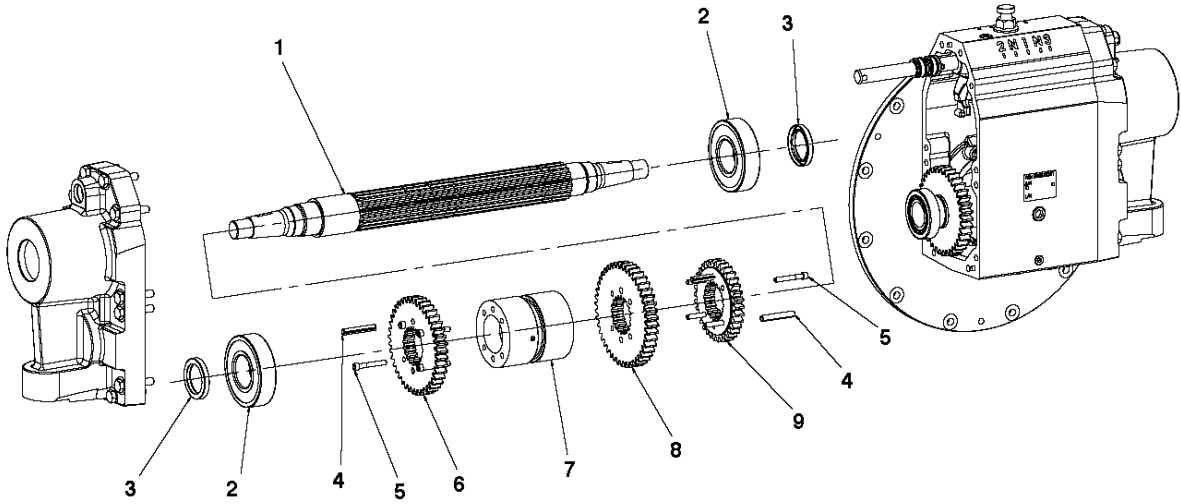


INPUT SHAFT & GEAR

3-SPEED FOR FS6600, FS6800, FS7000, FS8400, FS9900

Ref	Part No	Description	Remark	QTY KIT
1	504 83 68-01	SEAL		1
2	522 02 36-01	BEARING		1
3	522 02 36-02	BEARING		1
4	522 02 35-01	SHAFT		1
5	522 02 36-04	BEARING		1
6	522 02 36-03	BEARING		1

FS7000 GEAR BOX - 4

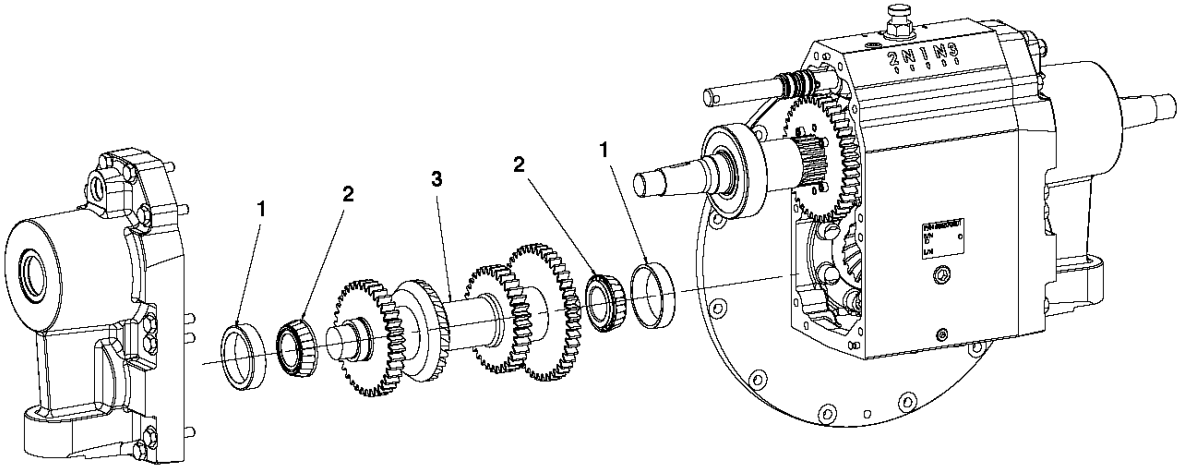


OUTPUT SHAFT ASSY

3-SPEED FOR FS6600, FS6800, FS7000, FS8400, FS9900

Ref	Part No	Description	Remark	QTY KIT
1	522 02 35-04	SHAFT		1
2	738 23 09-34	BEARING		2
3	504 83 68-02	SEAL		2
4	577 18 30-01	SPRING PIN		4
5	577 19 40-01	SCREW		8
6	577 18 25-01	GEAR		1
7	577 19 41-01	GEAR BOX		1
8	577 18 25-02	GEAR		1
9	577 18 25-03	GEAR		1

FS7000 GEAR BOX - 3

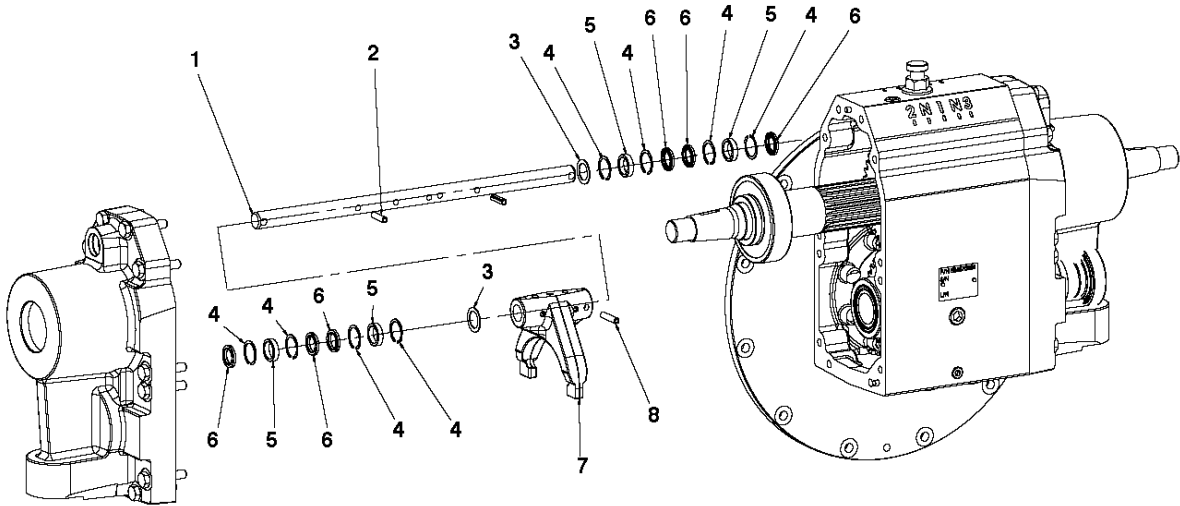


SHAFT AND GEAR ASSY

3-SPEED FOR FS6600, FS6800, FS7000, FS8400, FS9900

Ref	Part No	Description	Remark	QTY KIT
1	522 02 36-01	BEARING		2
2	522 02 36-02	BEARING		2
3	522 02 35-03	SHAFT		1

FS7000 GEAR BOX - 5



SHIFTING SHAFT

3-SPEED FOR FS6600, FS6800, FS7000, FS8400, FS9900

Ref	Part No	Description	Remark	QTY KIT
1	586 91 65-01	GEAR BOX		1
2	577 18 29-01	PIN		2
3	577 19 42-01	WASHER		2
4	577 18 34-01	RING		8
5	586 91 71-01	BUSHING		4
6	504 83 68-03	SEAL		6
7	577 19 39-01	FORK		1
8	577 18 29-02	PIN		3