

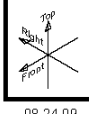


SPARE PARTS LIST

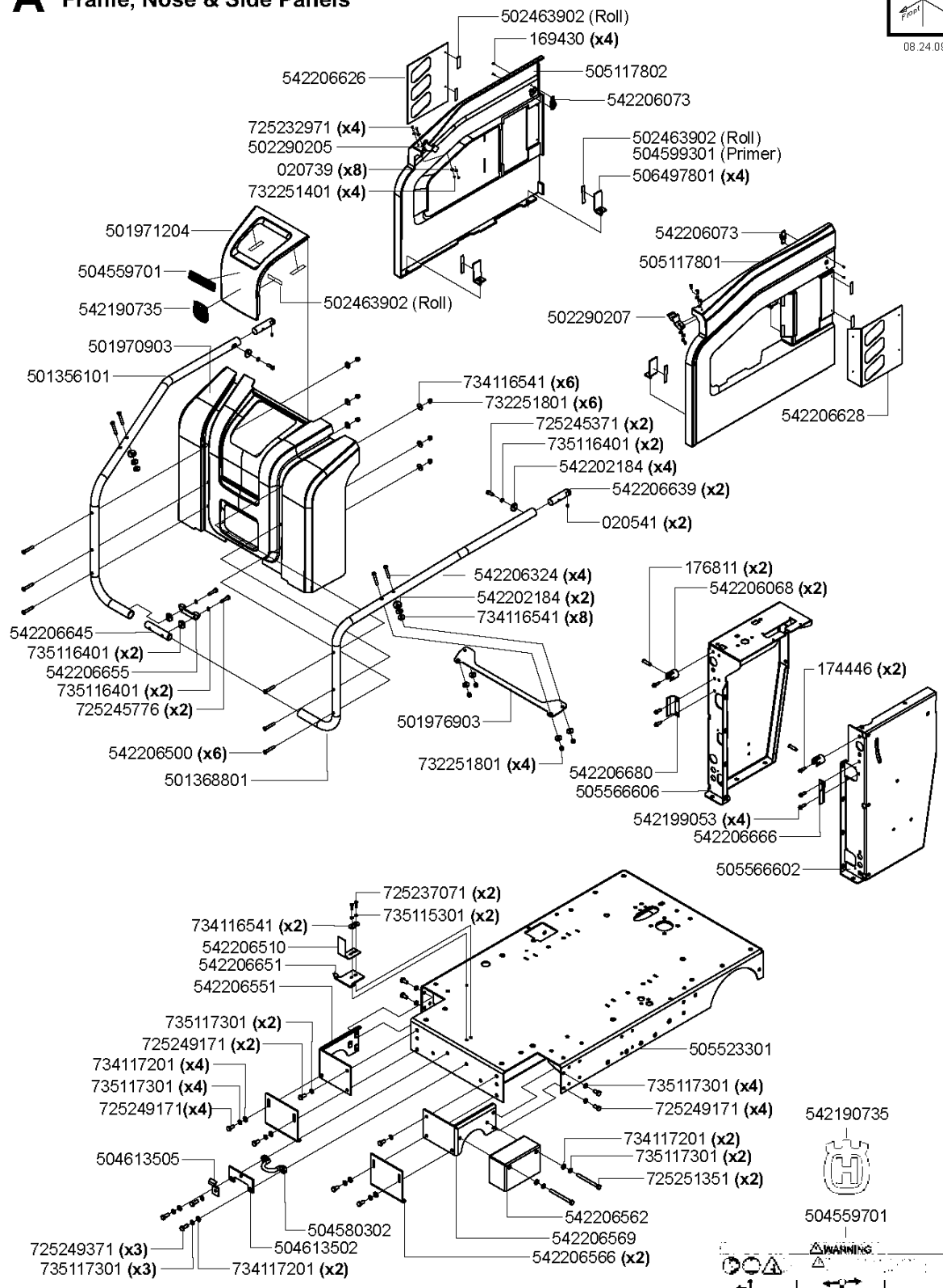
FLOOR SAWS

FS6800 YAN T3, 2009-10

A Frame, Nose & Side Panels



08.24.09



542190735

504559701

WARNING

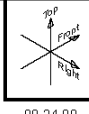
Ref	Part No	Description	Remark	QTY KIT
734117201	734 11 72-01	WASHER		2
504559701	504 55 97-01	DECAL		1
542190735	542 19 07-35	DECAL		1
735115301	735 11 53-01	WASHER		2
542206510	542 20 65-10	LATCH		1
725249171	725 24 91-71	SCREW EHHM		4
734116541	734 11 65-41	WASHER		2
542206651	542 20 66-51	LATCH		1
735117301	735 11 73-01	SPRING WASHER		4
725249171	725 24 91-71	SCREW EHHM		4
505523301	505 52 33-01	FRAME		1
725251351	725 25 13-51	SCREW EHHM		2
735117301	735 11 73-01	SPRING WASHER		2
734117201	734 11 72-01	WASHER		2
542206562	542 20 65-62	FLANGE		1
542206569	542 20 65-69	FRAME		1
542206566	542 20 65-66	GUARD		2
734117201	734 11 72-01	WASHER		4
735117301	735 11 73-01	SPRING WASHER		4
542206680	542 20 66-80	LATCH. SIDE SHIELD RH. BLACK		1
542206551	542 20 65-51	FRAME		1
735117301	735 11 73-01	SPRING WASHER		2
725249171	725 24 91-71	SCREW EHHM		2
504580302	504 58 03-02	LOOP		1
504613502	504 61 35-02	LOCK		1
504613505	504 61 35-05	LOCK		1
735117301	735 11 73-01	SPRING WASHER		3
542206666	542 20 66-66	LATCH. SIDE PANEL. BLACK		1
725249371	725 24 93-71	SCREW EHHM		3
542199053	542 19 90-53	SCREW		4
725237071	725 23 70-71	SCREW EHHM		2
542206068	542 20 60-68	HINGE		2
176811	176811	PIN. CLEVIS 3/8 DIA x 1.38		2
174446	542 17 44-46	CAPSCREW - SOCKET HD/M8 X 1.25		2
505566606	505 56 66-06	PANEL		1
505566602	505 56 66-02	PANEL		1
734116541	734 11 65-41	WASHER		8
732251801	732 25 18-01	HEXAGON LOCKING NUT		4
542206628	542 20 66-28	PAN		1
725245371	725 24 53-71	SCREW EHHM		2
542202184	542 20 21-84	WASHER		2
542206324	542 20 63-24	SCREW		4
542206500	542 20 65-00	SBHCS M8 X 1.25 X 50MM Z/P		6
501368801	501 36 88-01	TUBE		1
725245776	725 24 57-76	SCREW EHHM		2
735116401	735 11 64-01	SPRING WASHER		2
542206655	542 20 66-55	LATCH		1
735116401	735 11 64-01	SPRING WASHER		2
542206645	542 20 66-45	PEN		1
734116541	734 11 65-41	WASHER		6
501976903	501 97 69-03	BRACKET		1
732251801	732 25 18-01	HEXAGON LOCKING NUT		6
735116401	735 11 64-01	SPRING WASHER		2
542202184	542 20 21-84	WASHER		4
542206639	542 20 66-39	HINGE		2
020541	20541	SHSS. .25-20 x .375 CUP HK		2
501356101	501 35 61-01	TUBE		1
501970903	501 97 09-03	HOOD		1
501971204	501 97 12-04	HOOD		1
725232971	725 23 29-71	SCREW EHHM		4
502290205	502 29 02-05	LATCH		1
732251401	732 25 14-01	HEXAGON LOCKING NUT		4
542206626	542 20 66-26	PAN		1
502463902	502 46 39-02	TAPE		1

Frame, Nose & Side Panels

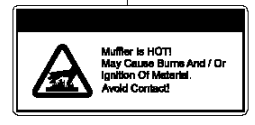
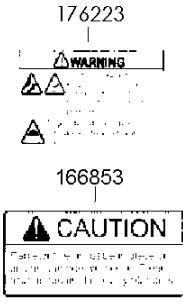
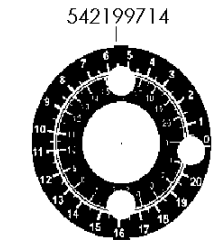
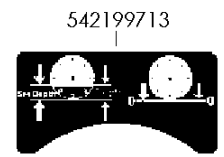
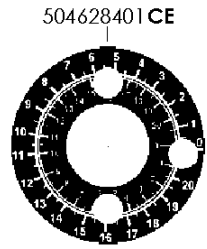
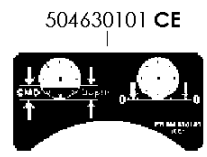
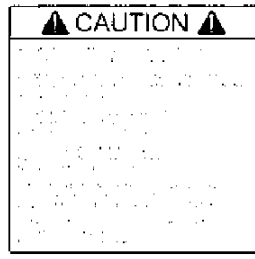
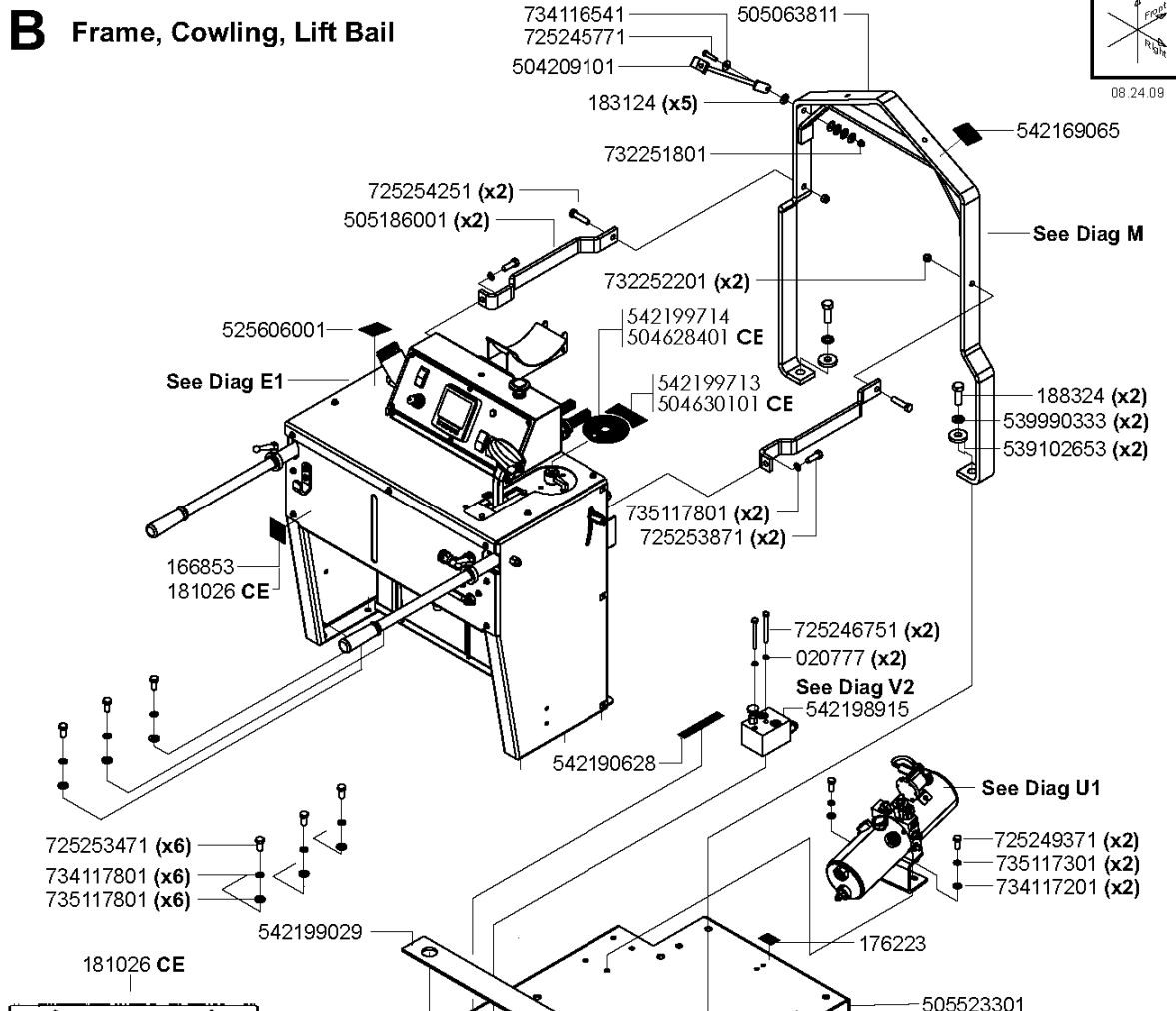
FS6800 YAN T3, 2009-10

Ref	Part No	Description	Remark	QTY KIT
169430	169430	RIVET		4
505117802	505 11 78-02	PAN		1
542206073	542 20 60-73	LATCH		1
502463902	502 46 39-02	TAPE		1
504599301	504 59 93-01	ADHESIVE		1
542206073	542 20 60-73	LATCH		1
521929531	521 92 95-31	PANEL		1
506497801	506 49 78-01	PANEL		4
504559701	504 55 97-01	DECAL		1
542190735	542 19 07-35	DECAL		1
502290207	502 29 02-07	LATCH		1
020739	20739	KNOB		8
502463902	502 46 39-02	TAPE		1

B Frame, Cowling, Lift Bail



08.24.09



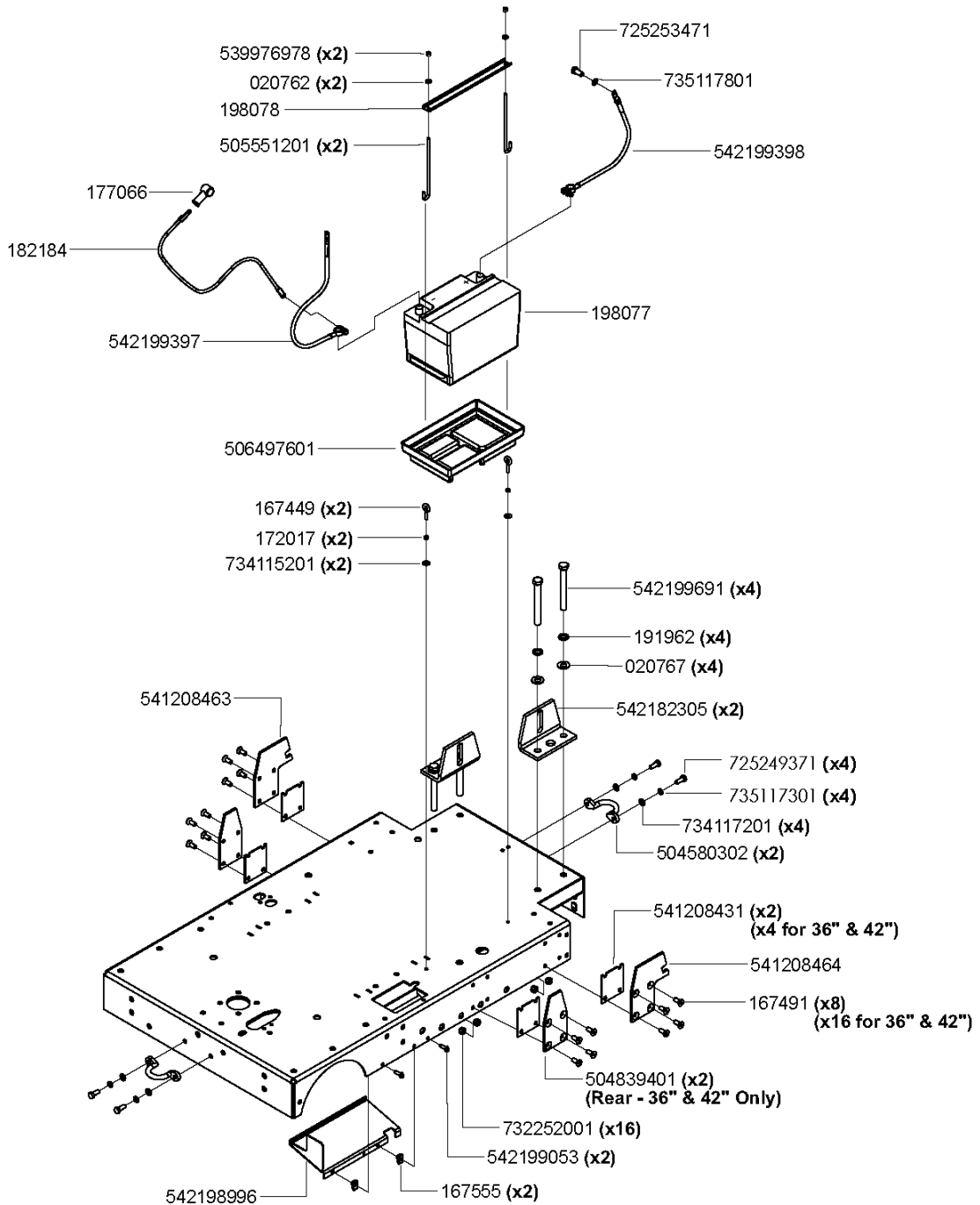
734116541 725245771 504209101 183124 (x5) 732251801 725254251 (x2) 505186001 (x2) 525606001 See Diag E1 166853 181026 CE 725253471 (x6) 734117801 (x6) 735117801 (x6) 542199029 181026 CE 542190628 725246751 (x2) 020777 (x2) See Diag V2 542198915 See Diag U1 725249371 (x2) 735117301 (x2) 734117201 (x2) 176223 505523301 542190628 525606001 176223 166853 542190628 542169065

Ref	Part No	Description	Remark	QTY KIT
504630101	504 63 01-01	DECAL		1
542199714	542 19 97-14	DECAL		1
542199714	542 19 97-14	DECAL		1
542169065	542 16 90-65	DECAL		1
504628401	504 62 84-01	DECAL		1
725253471	725 25 34-71	SCREW EHHM		6
734117801	734 11 78-01	WASHER		6
735117801	735 11 78-01	WASHER		6
725254251	725 25 42-51	SCREW EHHM		2
505186001	505 18 60-01	BRACES		2
725253871	725 25 38-71	SCREW EHHM		2
735117801	735 11 78-01	WASHER		2
725246751	725 24 67-51	SCREW EHHM		2
542198915	542 19 89-15	VALVE		1
020777	20777	LOCKWASHER. .3125 HI-COLLAR		2
539990333	539 99 03-33	WASHER		2
188324	188324	HHCS. M16x2x45 CLASS 10.9		2
732252201	732 25 22-01	HEXAGON LOCKING NUT		2
505063811	505 06 38-11	FRAME		1
505523301	505 52 33-01	FRAME		1
542199029	542 19 90-29	BRACKET		1
725245771	725 24 57-71	SCREW EHHM		1
734116541	734 11 65-41	WASHER		1
504209101	504 20 91-01	SUPPORT		1
183124	183124	WASHER		5
732251801	732 25 18-01	HEXAGON LOCKING NUT		1
539102653	539 10 26-53	WASHER		2
725249371	725 24 93-71	SCREW EHHM		2
735117301	735 11 73-01	SPRING WASHER		2
181026	181026	DECAL		1
181026	181026	DECAL		1
166853	166853	DECAL		1
504630101	504 63 01-01	DECAL		1
542190628	542 19 06-28	DECAL		1
734117201	734 11 72-01	WASHER		2
542199713	542 19 97-13	DECAL		1
166853	166853	DECAL		1
504628401	504 62 84-01	DECAL		1
176223	176223	DECAL		1
176223	176223	DECAL		1
542190628	542 19 06-28	DECAL		1
525606001	525 60 60-01	DECAL		1
542199713	542 19 97-13	DECAL		1
542169065	542 16 90-65	DECAL		1
525606001	525 60 60-01	DECAL		1

C Upper Frame



12.01.09

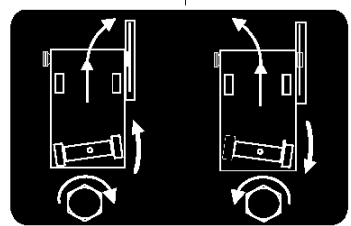
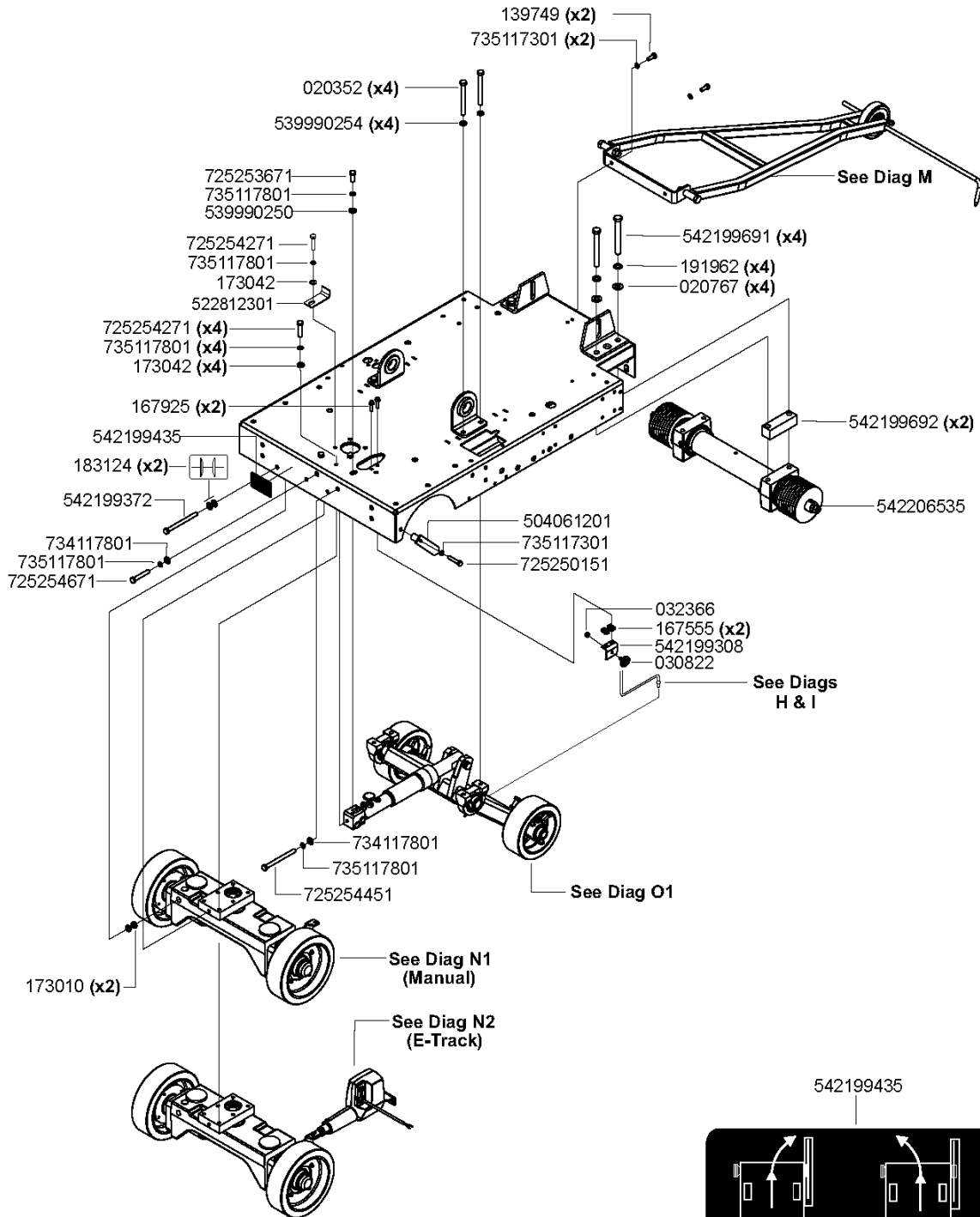


Upper Frame

FS6800 YAN T3, 2009-10

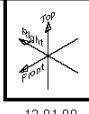
Ref	Part No	Description	Remark	QTY KIT
542199398	542 19 93-98	CABLE ASSY		1
542182305	542 18 23-05	BRACKET		2
020767	20767	WASHER		4
191962	191962	WASHER		4
542199691	542 19 96-91	SCREW		4
541208464	541 20 84-64	BRACKET		1
541208431	541 20 84-31	SPACER		2
167491	167491	SHCS. CSK M10 x 1.5 x 25mm		8
732252001	732 25 20-01	HEXAGON LOCKING NUT		16
542199053	542 19 90-53	SCREW		2
167555	167555	U-NUT.M8 x 1.25 (.8-4 mm MATL)		2
504839401	504 83 94-01	SPADE		2
735117301	735 11 73-01	SPRING WASHER		4
504580302	504 58 03-02	LOOP		2
734117201	734 11 72-01	WASHER		4
541208463	541 20 84-63	PLATE		1
734115201	734 11 52-01	WASHER		2
172017	172017	NUT		2
167449	167449	EYEBOLT. M6x1.0x50mm OAL		2
506497601	506 49 76-01	BATTERY BOX		1
198077	198077	BATTERY GROUP 48		1
505551201	505 55 12-01	BOLT		2
198078	198078	DECAL		1
020762	20762	WASHER		2
539976978	539 97 69-78	NUT		2
182184	182184	CABLE		1
177066	177066	*RUBBER BOOT. BATT TERM./BLACK		1
725253471	725 25 34-71	SCREW EHHM		1
735117801	735 11 78-01	WASHER		1
725249371	725 24 93-71	SCREW EHHM		4
542199397	542 19 93-97	CABLE ASSY		1
542198996	542 19 89-96	SHIELD		1

D Lower Frame with Pointers

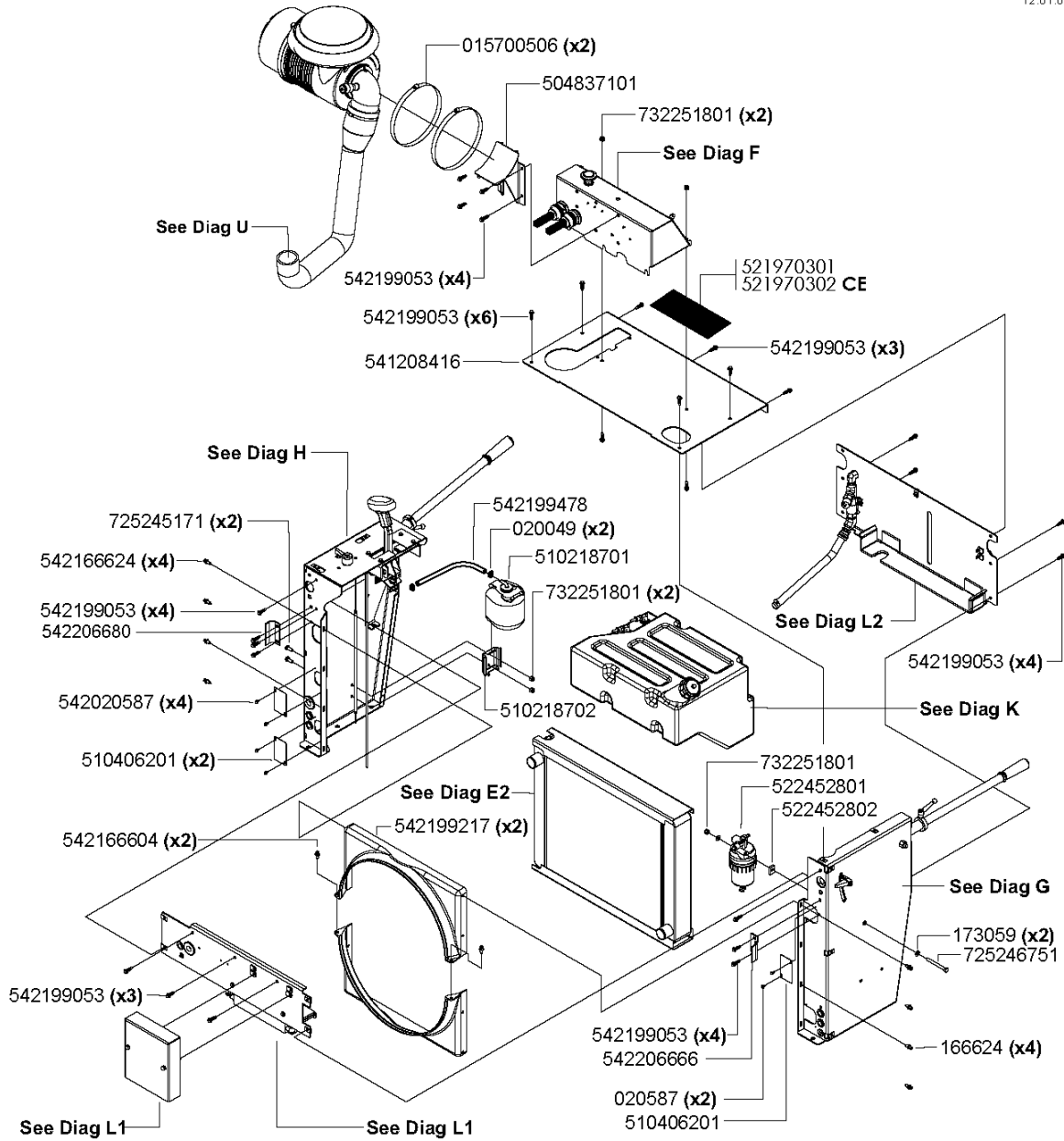


Ref	Part No	Description	Remark	QTY KIT
542199692	542 19 96-92	SPACER PLATE		2
542206535	542 20 65-35	BLADE SHAFT		1
542199435	542 19 94-35	DECAL		1
542199691	542 19 96-91	SCREW		4
191962	191962	WASHER		4
020767	20767	WASHER		4
167555	167555	U-NUT.M8 x 1.25 (.8-4 mm MATL)		2
030822	30822	WHEEL. CART		1
542199308	542 19 93-08	BRACKET		1
032366	32366	NUT		1
735117301	735 11 73-01	SPRING WASHER		1
139749	139749	HHCS. M10 x 1.5 x 25 DIN933 ZP		2
504061201	504 06 12-01	POINTER		1
725250151	725 25 01-51	SCREW EHHM		1
735117301	735 11 73-01	SPRING WASHER		2
734117801	734 11 78-01	WASHER		1
735117801	735 11 78-01	WASHER		1
020352	20352	HHCS. .5-13 x 5 GR 5 Z/P		4
539990254	539 99 02-54	WASHER		4
725254451	725 25 44-51	SCREW EHHM		1
725253671	725 25 36-71	SCREW EHHM		1
539990250	539 99 02-50	WASHER		1
735117801	735 11 78-01	WASHER		1
725254271	725 25 42-71	SCREW EHHM		4
167925	167925	FHCS. M8 x 1.25 x 30mm FT		2
735117801	735 11 78-01	WASHER		4
542199435	542 19 94-35	DECAL		1
183124	183124	WASHER		2
542199372	542 19 93-72	SCREW		1
734117801	734 11 78-01	WASHER		1
173010	173010	NUT		2
735117801	735 11 78-01	WASHER		1
725254671	725 25 46-71	SCREW EHHM		1
173042	173042	WASHER		4
522812301	522 81 23-01	BRACKET		1
725254271	725 25 42-71	SCREW EHHM		1
735117801	735 11 78-01	WASHER		1
173042	173042	WASHER		1

E1 Cowling



12.01.09



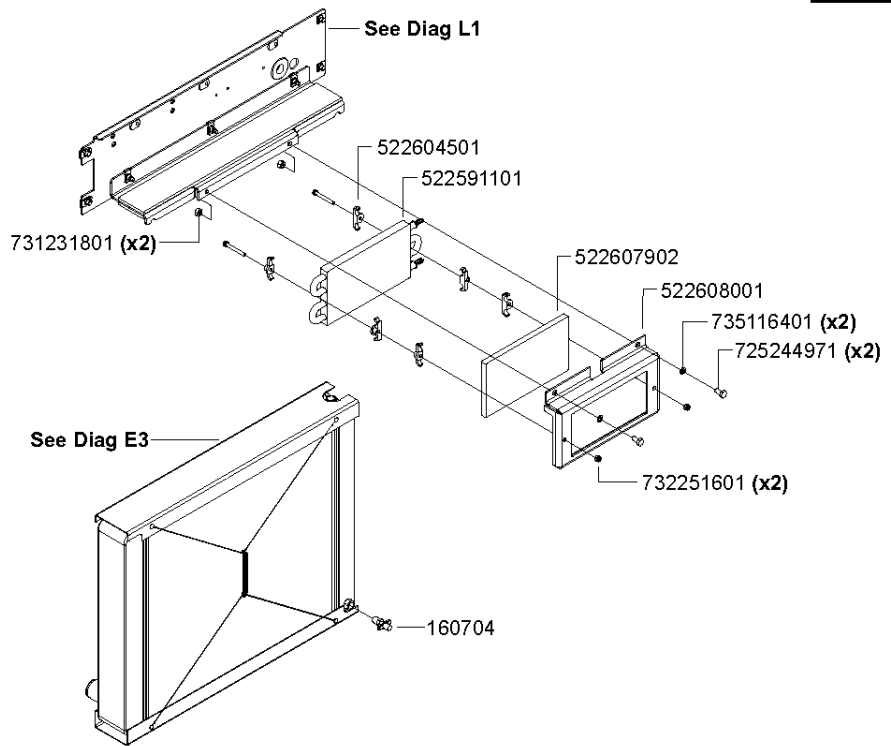
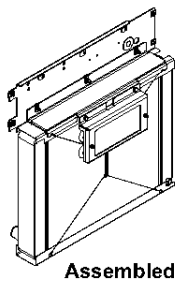
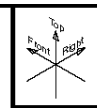
521970301

521970302 CE

Ref	Part No	Description	Remark	QTY KIT
542166624	542 16 66-24	BOLT		4
542206680	542 20 66-80	LATCH. SIDE SHIELD RH. BLACK		1
542199053	542 19 90-53	SCREW		4
725245171	725 24 51-71	SCREW EHHM		2
542020587	542 02 05-87	BOLT		4
510218701	510 21 87-01	TANK		1
510218702	510 21 87-02	TANK		1
510406201	510 40 62-01	COVER		2
732251801	732 25 18-01	HEXAGON LOCKING NUT		2
542199053	542 19 90-53	SCREW		4
504837101	504 83 71-01	AIR CLEANER		1
015700506	15700506	HOSE CLAMP. WORM DRIVE SAE152		2
732251801	732 25 18-01	HEXAGON LOCKING NUT		2
541208416	541 20 84-16	WLDMNT. TOP COVER. PC H-GRY		1
542199053	542 19 90-53	SCREW		6
542199053	542 19 90-53	SCREW		3
542199053	542 19 90-53	SCREW		4
542199053	542 19 90-53	SCREW		3
542166604	542166604	TBD		2
542199217	542 19 92-17	HITZESCHUTZ		2
166624	166624	FASTENER. TUFLOK		4
542206666	542 20 66-66	LATCH. SIDE PANEL. BLACK		1
020587	20587	HWHSTS. 10-24 x .375 TYPE F SL		2
510406201	510 40 62-01	COVER		1
542199053	542 19 90-53	SCREW		4
521970301	521 97 03-01	DECAL		1
521970302	521 97 03-02	DECAL		1
521970301	521 97 03-01	DECAL		1
020049	20049	HOSE CLAMP. WORM DRIVE SAE04		2
542199478	542 19 94-78	HOSE		1
732251801	732 25 18-01	HEXAGON LOCKING NUT		1
522452801	522 45 28-01	SEPARATOR		1
522452802	522 45 28-02	SPACER		1
725246751	725 24 67-51	SCREW EHHM		1
173059	173059	WASHER		2

E2 Fuel Cooler

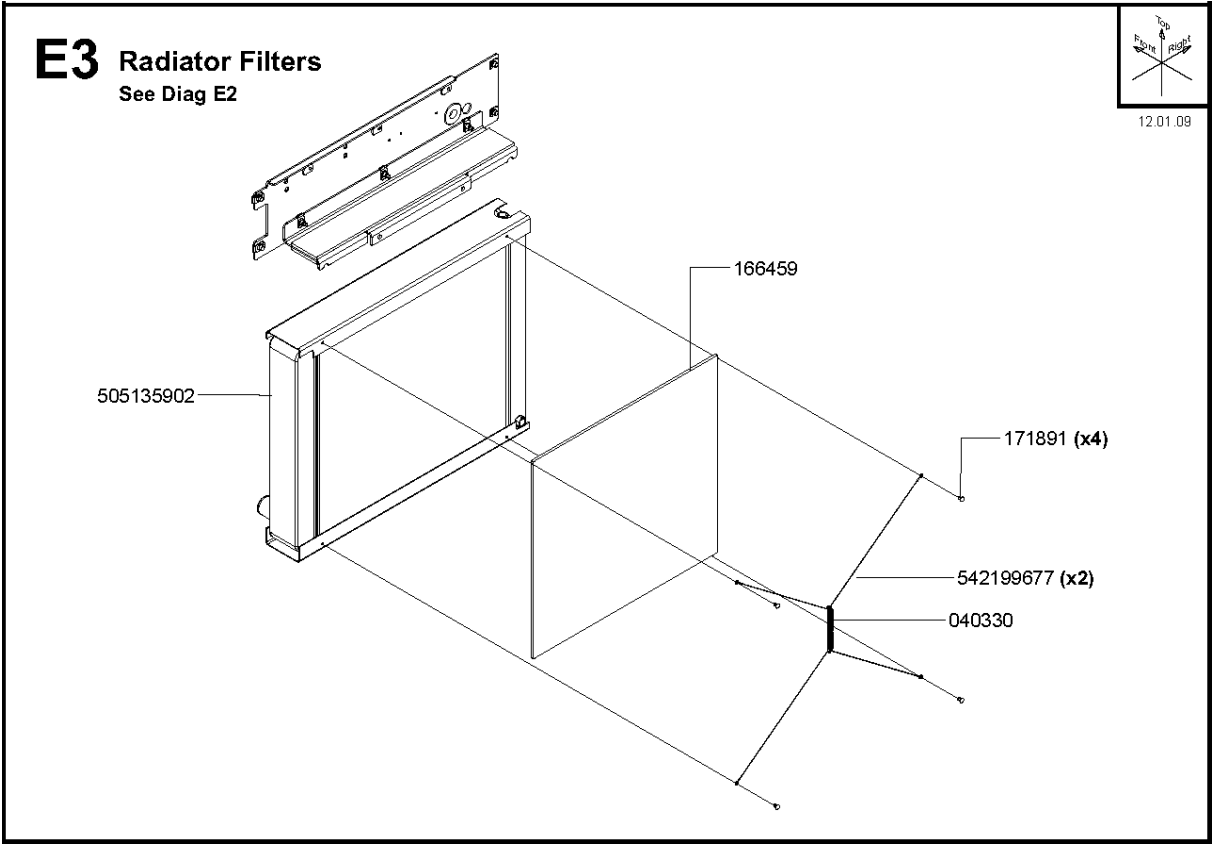
See Diag E1



Fuel Cooler

FS6800 YAN T3, 2009-10

Part No	Description	Remark	QTY KIT
160704	PETCOCK		1
522 59 11-01	HANDLE ASSY		1
522 60 45-01	CLIP		1
522 60 79-02	FILTER		1
522 60 80-01	MOUNT		1
725 24 49-71	SCREW EHHM		2
731 23 18-01	HEXAGON NUT		2
732 25 16-01	HEXAGON LOCKING NUT		2
735 11 64-01	SPRING WASHER		2



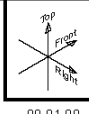
Radiator Filters

FS6800 YAN T3, 2009-10

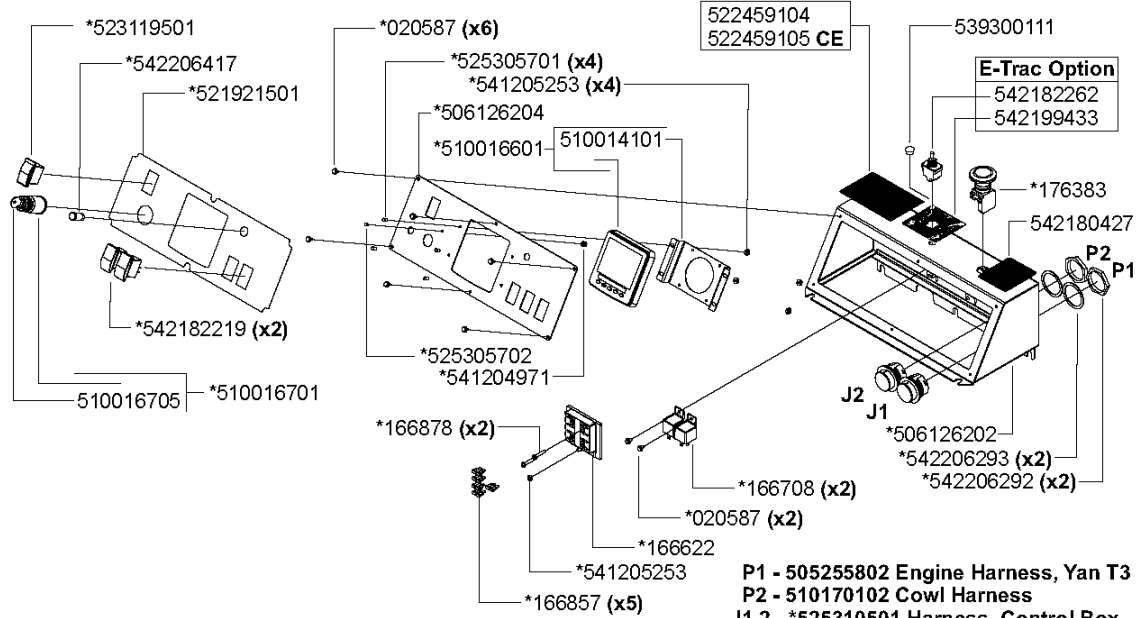
Ref	Part No	Description	Remark	QTY KIT
505135902	505 13 59-02	RADIATOR		1
166459	166459	FILTER. RADIATOR		1
171891	171891	BLIND RIVET 3/16 DIA		4
542199677	542 19 96-77	SEAL		2
040330	40330	SPRING		1

F1 Instrument Panel - 1-Speed

*506126201 - Compl



08.01.09



P1 - 505255802 Engine Harness, Yan T3
 P2 - 510170102 Cowl Harness
 J1,2 - *525310501 Harness, Control Box
 [Incls: 522891901 Node Kit]
 See Operator's Manual for
 Wiring Diagrams

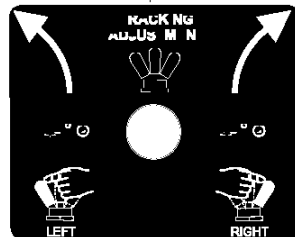
522459104

ENGINE SPEED / BLADE SIZE					
BLADE SIZE	FLANGE SIZE	LOADED RPM	BLADE SHAFT PULLEY SIZE	RATED RPM	YANMAR ENGINE SPEED PULLEY SIZE
14"	5"	2400	4.12"	2500	5.40"
20"	5"	2400	4.12"	2500	5.40"
28"	5"	1850	4.75"	2500	4.12"
30"	5"	1600	4.75"	2500	4.12"
36"	6"	1350	5.60"	2500	3.85"
42"	7"	1120	6.4"	2500	3.85"

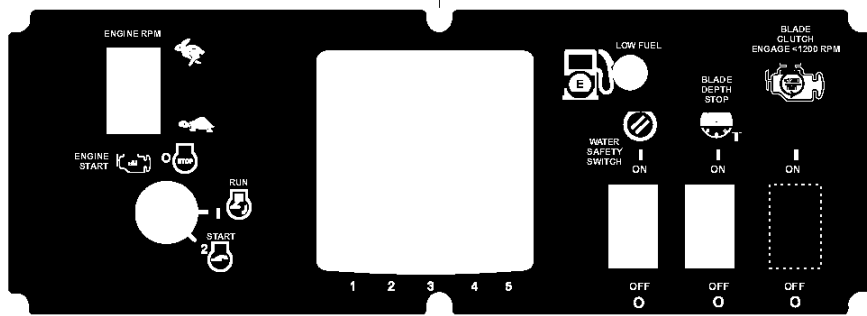
522459105 CE

450 mm	127 mm	105 mm	2400	400 - 450 mm	137 mm	2500
650 mm	127 mm	120 mm	1850	600 - 650 mm	121 mm	2500
750 mm	127 mm	120 mm	1600	700 - 750 mm	106 mm	2500
900 mm	152 mm	142 mm	1350	700 - 900 mm	98 mm	2500
1050 mm	178 mm	163 mm	1120	1000 - 1050 mm	98 mm	2500

542199433



521921501



542180427

Covered By One Or More Of The Following U.S. Patents:

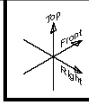
4338986, 4338988, 4744804, 4827589, 4821303, 4883989, 4988804, 5241048, 5381780, 5477944, 5580654, 5690391, 5763247, 5809985, 5810448, 6237937, 6348104, 6368619, 6371373, 6376994, 6986344

Other U.S. And Foreign Patents Pending

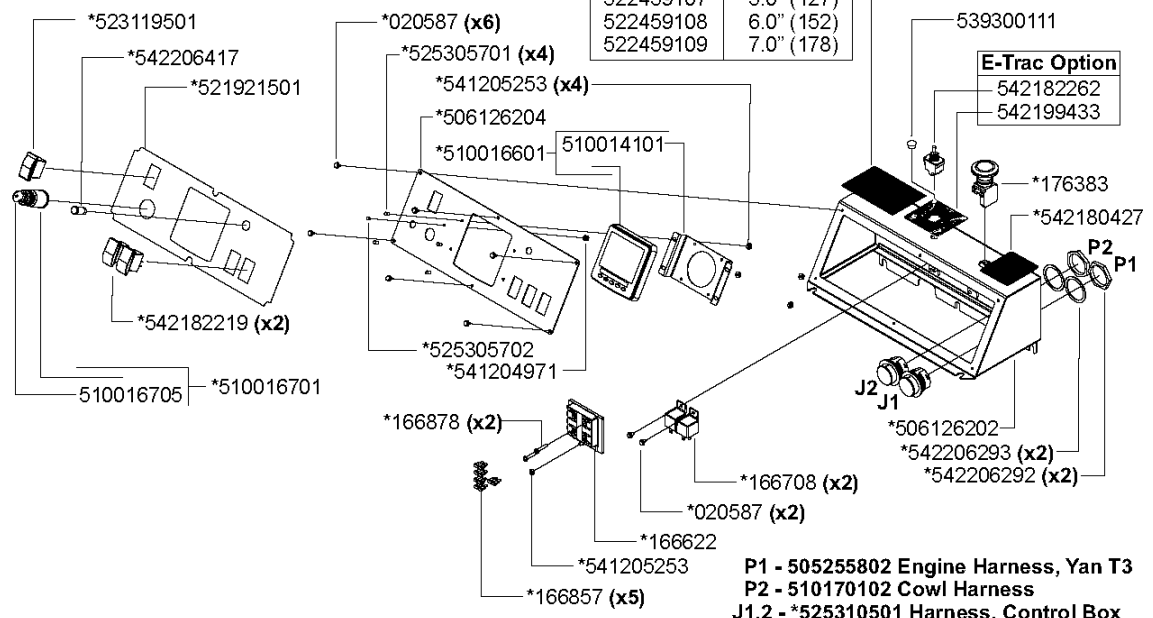
Ref	Part No	Description	Remark	QTY KIT
521921501	521 92 15-01	DECAL		1
510016701	510 01 67-01	KEY SWITCH		1
542206417	542 20 64-17	LIGHT		1
523119501	523 11 95-01	THROTTLE CONTROL		1
525305702	525 30 57-02	STUDS		1
542182219	542 18 22-19	SWITCH		2
020587	20587	HWHSTS. 10-24 x .375 TYPE F SL		6
506126204	506 12 62-04	CONTROL		1
525305701	525 30 57-01	STUDS		4
510016601	510 01 66-01	DISPLAY		1
506126202	506 12 62-02	CONTROL		1
541205253	541 20 52-53	NUT		4
176383	176383	SWITCH. MUSHROOM STOP		1
542206293	542 20 62-93	WASHER		2
542206292	542 20 62-92	NUT		2
506126201	506 12 62-01	CONTROL		1
166878	166878	HOUSING ASSEMBLY		2
166622	166622	BLOCK. FUSE		1
541205253	541 20 52-53	NUT		1
521921501	521 92 15-01	DECAL		1
166857	166857	FUSE		5
541204971	541 20 49-71	NUT		1
510016705	510 01 67-05	KEY SWITCH		1
522459104	522 45 91-04	DECAL		1
539300111	539 30 01-11	PLUG		1
542182262	542 18 22-62	SWITCH		1
542199433	542 19 94-33	DECAL		1
522459104	522 45 91-04	DECAL		1
522459105	522 45 91-05	DECAL		1
542180427	542 18 04-27	DECAL		1
542180427	542 18 04-27	DECAL		1
542199433	542 19 94-33	DECAL		1
020587	20587	HWHSTS. 10-24 x .375 TYPE F SL		2
166708	166708	RELAY		2
505255802	505 25 58-02	HARNESS		1
510170102	510 17 01-02	HARNESS		1
525310501	525 31 05-01	HARNESS		1
522891901	522 89 19-01	PRINTED CIRCUIT BOARD		1
522459105	522 45 91-05	DECAL		1
510014101	510 01 41-01	BRACKET		1

F2 Instrument Panel - 3-Speed

*506126201 - Compl



G-Box Range / Blade RPM	
Decal No	Flange Dia Inch (mm)
522459106	4.5" (114)
522459107	5.0" (127)
522459108	6.0" (152)
522459109	7.0" (178)



E-Trac Option
542182262
542199433

P1 - 505255802 Engine Harness, Yan T3
P2 - 510170102 Cowl Harness
J1,2 - *525310501 Harness, Control Box
[Incls: 522891901 Node Kit]
See Operator's Manual for
Wiring Diagrams

GEARBOX RANGE / BLADE RPM
(14-26, FS 6800 YANMAR) P/N: 522459106

FLANGE SIZE	BLADE SIZE (Maximum)	GEARBOX RANGE	BLADE RPM	ENGINE RPM
4.50" 114 mm		1-3	4.50" 114 mm	2500

522459106

GEARBOX RANGE / BLADE RPM
(18-30, FS 6800 YANMAR) P/N: 522459107

FLANGE SIZE	BLADE SIZE (Maximum)	GEARBOX RANGE	BLADE RPM	ENGINE RPM
5.00" 127 mm		1-3	4.50" 114 mm	2500

522459107

GEARBOX RANGE / BLADE RPM
(20-36, FS 6800 YANMAR) P/N: 522459108

FLANGE SIZE	BLADE SIZE (Maximum)	GEARBOX RANGE	BLADE RPM	ENGINE RPM
6.00" 152 mm		1-3	4.50" 114 mm	2500

522459108

GEARBOX RANGE / BLADE RPM
(24-42, FS 6800 YANMAR) P/N: 522459109

FLANGE SIZE	BLADE SIZE (Maximum)	GEARBOX RANGE	BLADE RPM	ENGINE RPM
7.00" 178 mm		1-3	4.50" 114 mm	2500

522459109

542199433

542180427

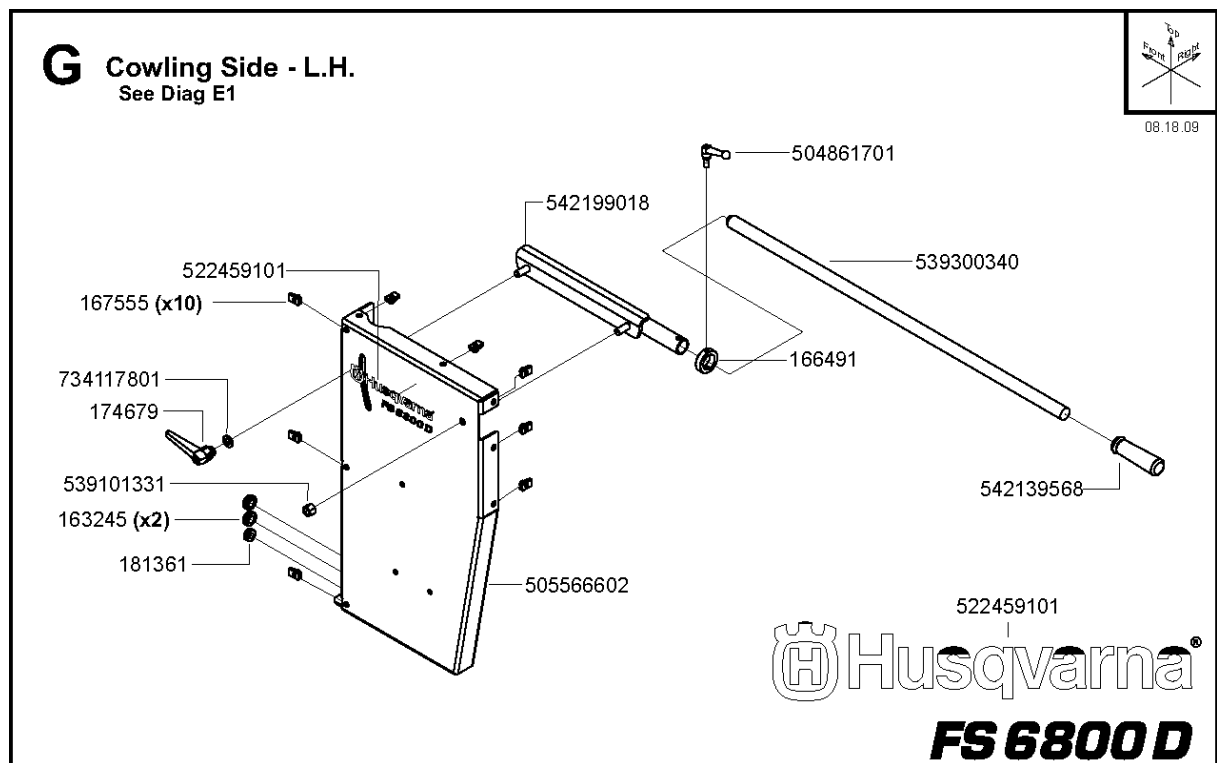
**Covered By One Or More
Of The Following
U.S. Patents:**

4333665, 4333686, 4744604,
4827553, 4921300, 4968099,
4988894, 5241546, 5381780,
5477844, 5880554, 5890991,
5743247, 5809985, 5810448,
D337037, D346104, D368816,
D371373, D379084, 6986344
Other U.S. And Foreign
Patents Pending

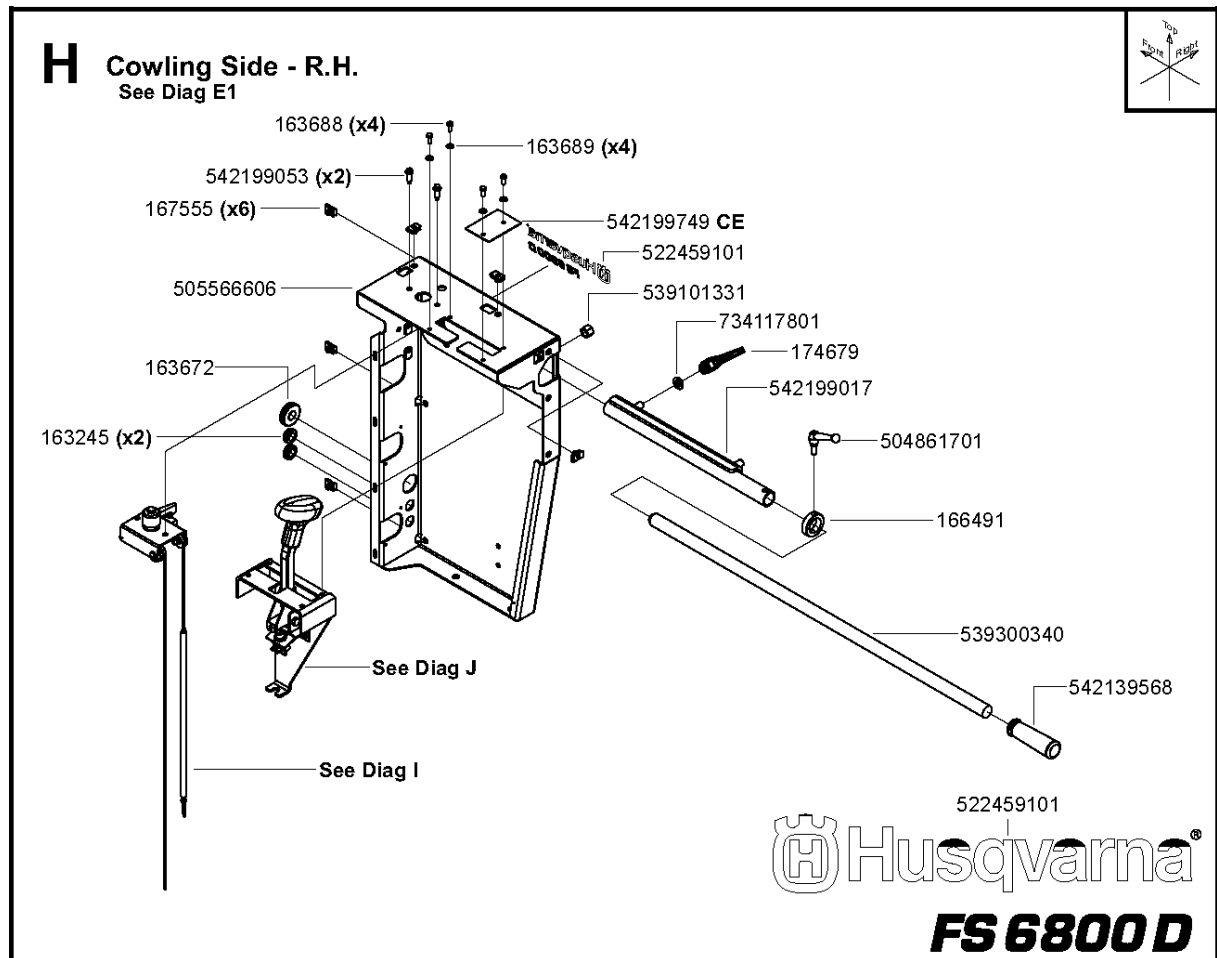
*521921501

ENGINE RPM, LOW FUEL, BLADE CLUTCH, WIRE SAFETY SWITCH, OFF, ON, OFF, ON, OFF, ON

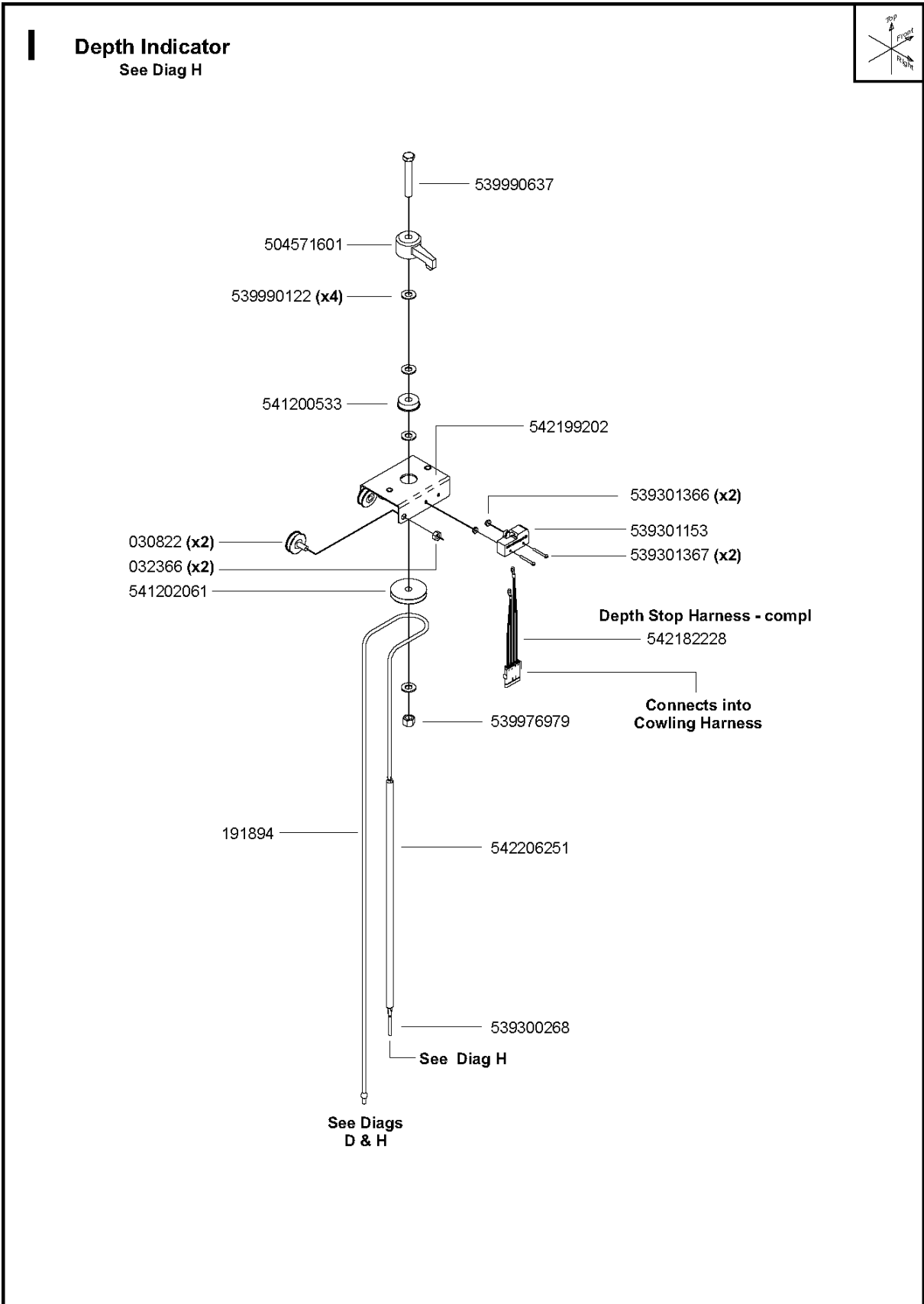
Ref	Part No	Description	Remark	QTY KIT
521921501	521 92 15-01	DECAL		1
510016701	510 01 67-01	KEY SWITCH		1
542206417	542 20 64-17	LIGHT		1
523119501	523 11 95-01	THROTTLE CONTROL		1
525305702	525 30 57-02	STUDS		1
542182219	542 18 22-19	SWITCH		2
020587	20587	HWHSTS. 10-24 x .375 TYPE F SL		2
020587	20587	HWHSTS. 10-24 x .375 TYPE F SL		6
525305701	525 30 57-01	STUDS		4
506126202	506 12 62-02	CONTROL		1
541205253	541 20 52-53	NUT		4
176383	176383	SWITCH. MUSHROOM STOP		1
542206293	542 20 62-93	WASHER		2
542206292	542 20 62-92	NUT		2
166878	166878	HOUSING ASSEMBLY		2
166622	166622	BLOCK. FUSE		1
541205253	541 20 52-53	NUT		1
521921501	521 92 15-01	DECAL		1
166857	166857	FUSE		5
541204971	541 20 49-71	NUT		1
539300111	539 30 01-11	PLUG		1
510016705	510 01 67-05	KEY SWITCH		1
542199433	542 19 94-33	DECAL		1
522459106	522 45 91-06	DECAL		1
522459107	522 45 91-07	DECAL		1
522459108	522 45 91-08	DECAL		1
522459109	522 45 91-09	DECAL		1
542180427	542 18 04-27	DECAL		1
542180427	542 18 04-27	DECAL		1
542182262	542 18 22-62	SWITCH		1
542199433	542 19 94-33	DECAL		1
506126201	506 12 62-01	CONTROL		1
522459109	522 45 91-09	DECAL		1
522459108	522 45 91-08	DECAL		1
522459107	522 45 91-07	DECAL		1
522459106	522 45 91-06	DECAL		1
505255802	505 25 58-02	HARNESS		1
510170102	510 17 01-02	HARNESS		1
525310501	525 31 05-01	HARNESS		1
522891901	522 89 19-01	PRINTED CIRCUIT BOARD		1
506126204	506 12 62-04	CONTROL		1
510016601	510 01 66-01	DISPLAY		1
510014101	510 01 41-01	BRACKET		1
166708	166708	RELAY		2



Part No	Description	Remark	QTY KIT
163245	GROMMET		2
166491	COLLAR. SET 1.25 ID - MOD Z/P		1
167555	U-NUT.M8 x 1.25 (.8-4 mm MATL)		10
174679	BRKT.DASH.RH		1
181361	GROMMET		1
504 86 17-01	LEVER		1
505 56 66-02	PANEL		1
522 45 91-01	DECAL		1
522 45 91-01	DECAL		1
539 10 13-31	NUT		1
539 30 03-40	HANDLEBAR		1
542 13 95-68	GRIP		1
542 19 90-18	LINK		1
734 11 78-01	WASHER		1



Part No	Description	Remark	QTY KIT
163245	GROMMET		2
163672	GROMMET		1
163688	HHCS. M6 x 1.0 x 16 DIN933 Z/P		4
163689	LOCKWASHER. SPLIT M6		4
166491	COLLAR. SET 1.25 ID - MOD Z/P		1
167555	U-NUT.M8 x 1.25 (.8-4 mm MATL)		6
174679	BRKT.DASH.RH		1
504 86 17-01	LEVER		1
505 56 66-06	PANEL		1
522 45 91-01	DECAL		1
522 45 91-01	DECAL		1
539 10 13-31	NUT		1
539 30 03-40	HANDLEBAR		1
542 13 95-68	GRIP		1
542 19 90-17	HANDLE		1
542 19 90-53	SCREW		2
542 19 97-49	PLATE		1
734 11 78-01	WASHER		1



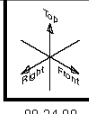
Depth Indicator

FS6800 YAN T3, 2009-10

Ref	Part No	Description	Remark	QTY KIT
191894	191894	CABLE ASSEMBLY. DEPTH IND		1
504571601	504 57 16-01	POINTER		1
541202061	541 20 20-61	PULLEY		1
539990122	539 99 01-22	WASHER		4
030822	30822	WHEEL. CART		2
541200533	541 20 05-33	BEARING		1
542206251	542 20 62-51	SPRING		1
539300268	539 30 02-68	PIN		1
539976979	539 97 69-79	NUT		1
542199202	542 19 92-02	BRACKET		1
539990637	539 99 06-37	SCREW		1
032366	32366	NUT		2
542182228	542 18 22-28	HARNES		1
539301367	539 30 13-67	SCREW		2
539301153	539 30 11-53	BRACKET		1
539301366	539 30 13-66	NUT		2

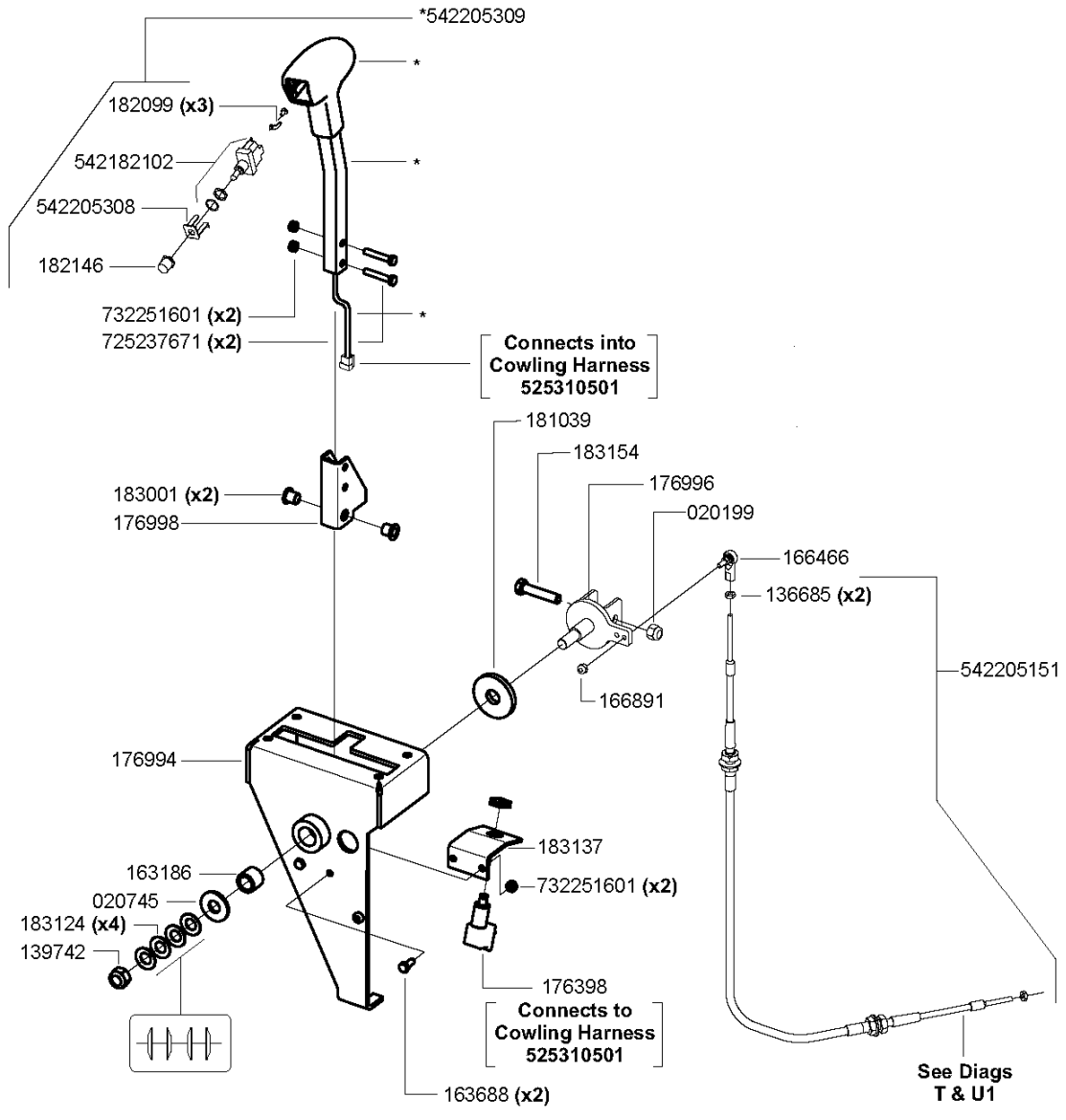
J Speed Control

Speed Control - Compl 521929522
See Diag H



08.24.09

*Handle & Switch - Compl 542199222

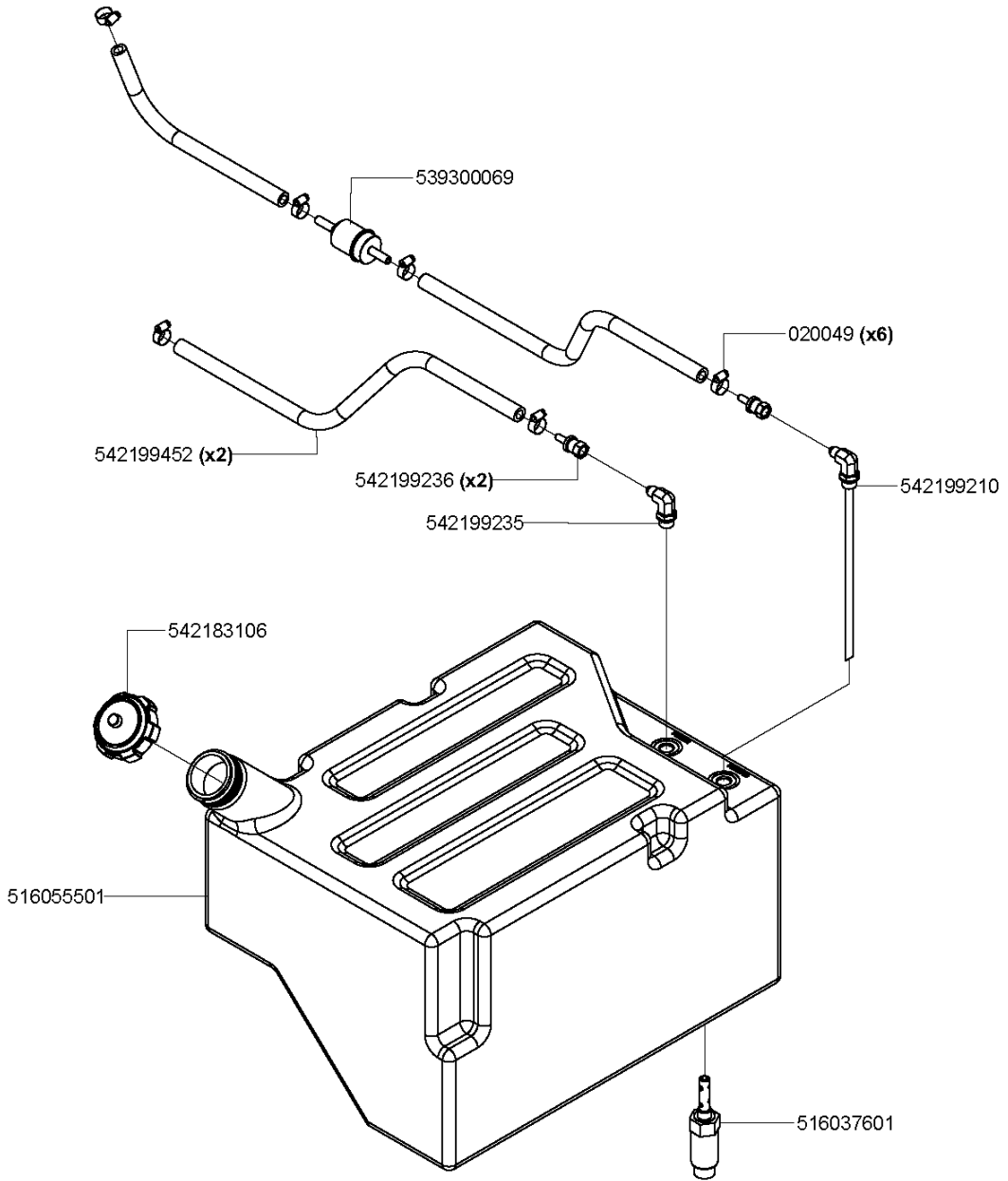


Speed Control

FS6800 YAN T3, 2009-10

Ref	Part No	Description	Remark	QTY KIT
020199	20199	LOCKNUT. FIBER .375-16 Z/P		1
166466	166466	ROD END		1
136685	542 13 66-85	FS900T SCREW NUT/		2
542205151	542 20 51-51	CABLE		1
176996	176996	ARM. SHIFTER PIVOT Z/P		1
183154	183154	HHCS. .375-16 SPECIAL		1
732251601	732 25 16-01	HEXAGON LOCKING NUT		2
176398	176398	NEUTRAL SAFETY START SWITCH		1
183137	183137	SWITCH: NEUTRAL SAFETY BR Z/P		1
163688	163688	HHCS. M6 x 1.0 x 16 DIN933 Z/P		2
176994	176994	SPEED CONTROL: SHIFT Z/P		1
163186	163186	BUSHING. BRASS		1
139742	139742	LOCKNUT. FIBER M12 DIN 985 Z/P		1
183124	183124	WASHER		4
183001	183001	BUSHING		2
176998	176998	SHIFT PIVOT POINT: Z/P		1
182146	182146	BOOT. HALF-TOGGLE SWITCH		1
182099	182099	TERMINAL LUG. SOLDER		3
542182102	542 18 21-02	SWITCH		1
542205308	542 20 53-08	BRACKET		1
732251601	732 25 16-01	HEXAGON LOCKING NUT		2
725237671	725 23 76-71	SCREW EHHM		2
542205309	542 20 53-09	SWITCH		1
521929522	521 92 95-22	BOM		1
542199222	542 19 92-22	HANDLE		1
181039	181039	DECAL		1
020745	20745	WASHER		1
166891	166891	LOCKNUT. #10 - 32		1
525310501	525 31 05-01	HARNESS		1
525310501	525 31 05-01	HARNESS		1

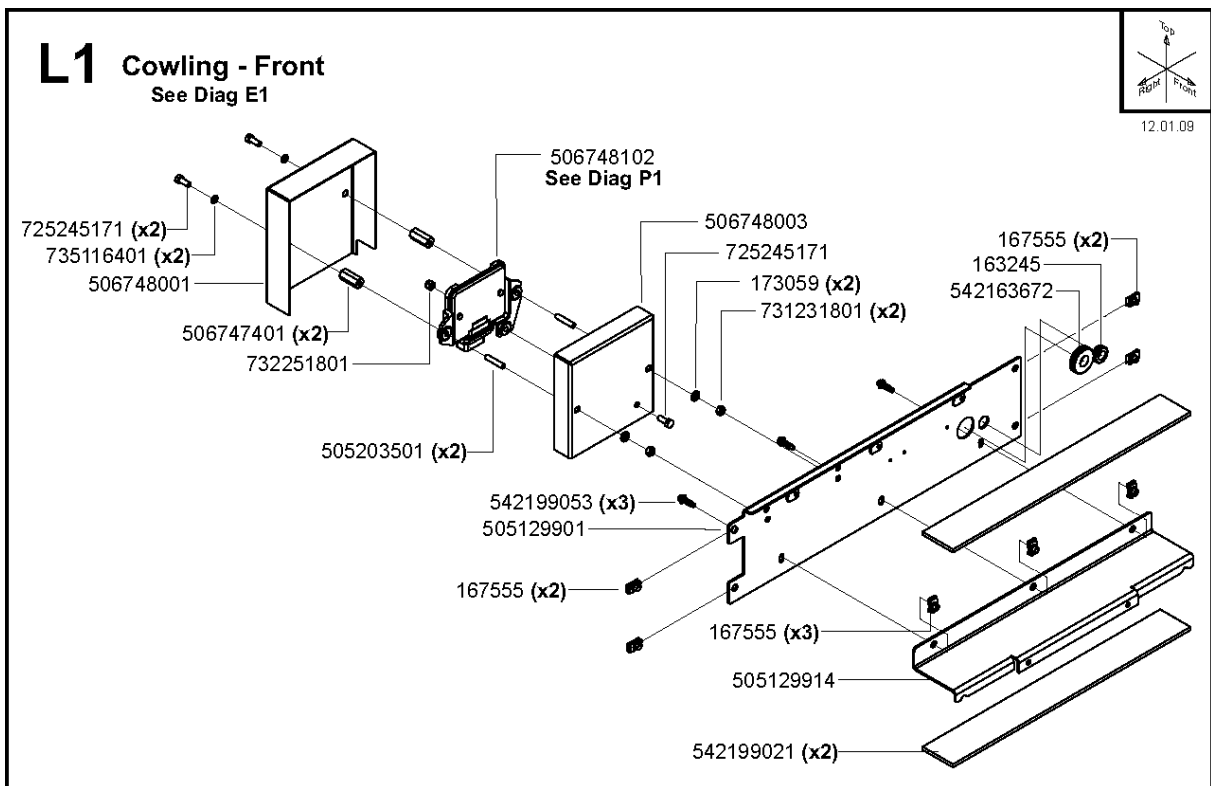
K Fuel Tank
See Diag E



Fuel Tank

FS6800 YAN T3, 2009-10

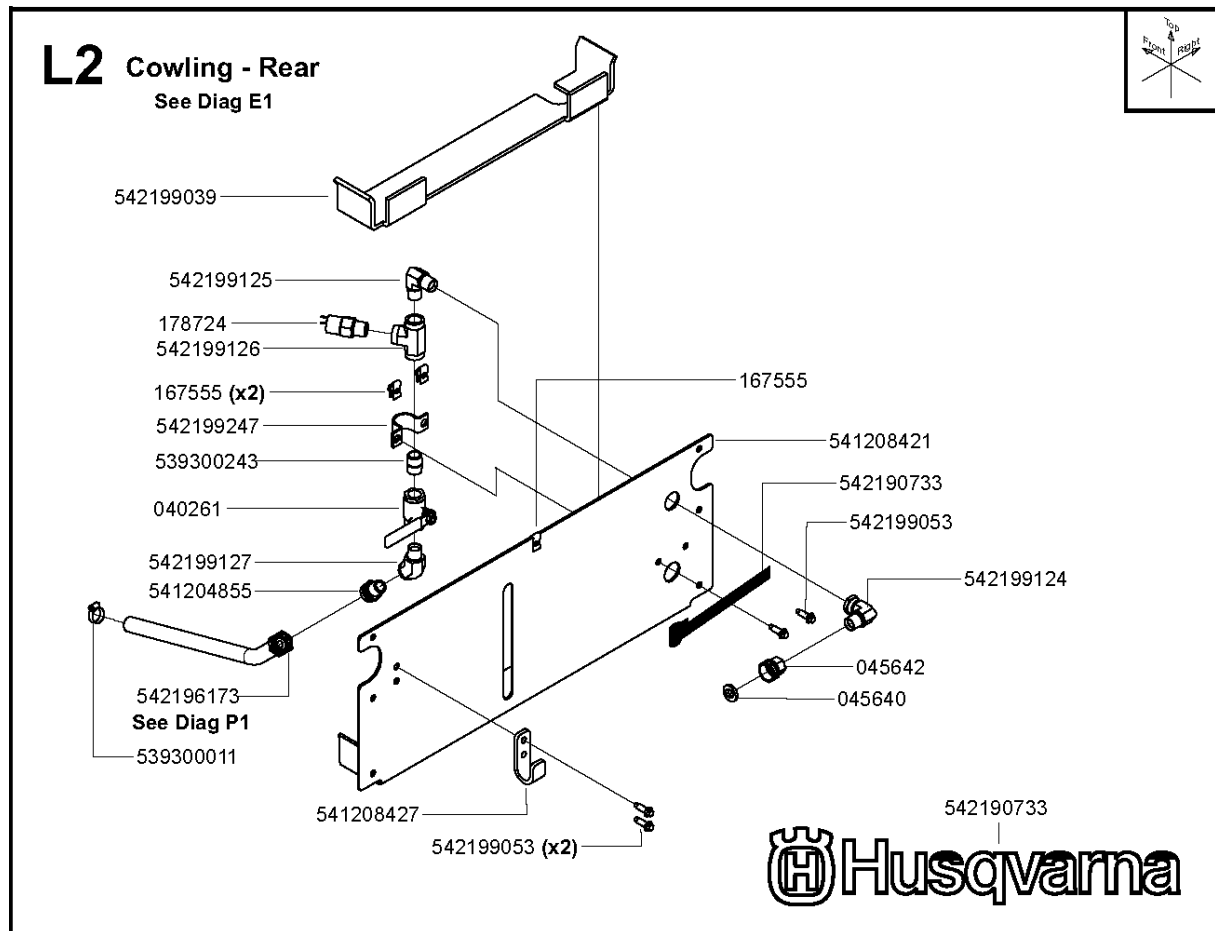
Part No	Description	Remark	QTY KIT
20049	HOSE CLAMP. WORM DRIVE SAE04		6
516 03 76-01	SENSOR		1
516 05 55-01	FUEL TANK		1
539 30 00-69	FILTER		1
542 18 31-06	CAP		1
542 19 92-10	PIPE		1
542 19 92-35	FITTING		1
542 19 92-36	FITTING		2
542 19 94-52	HOSE		2



Cowling - Front

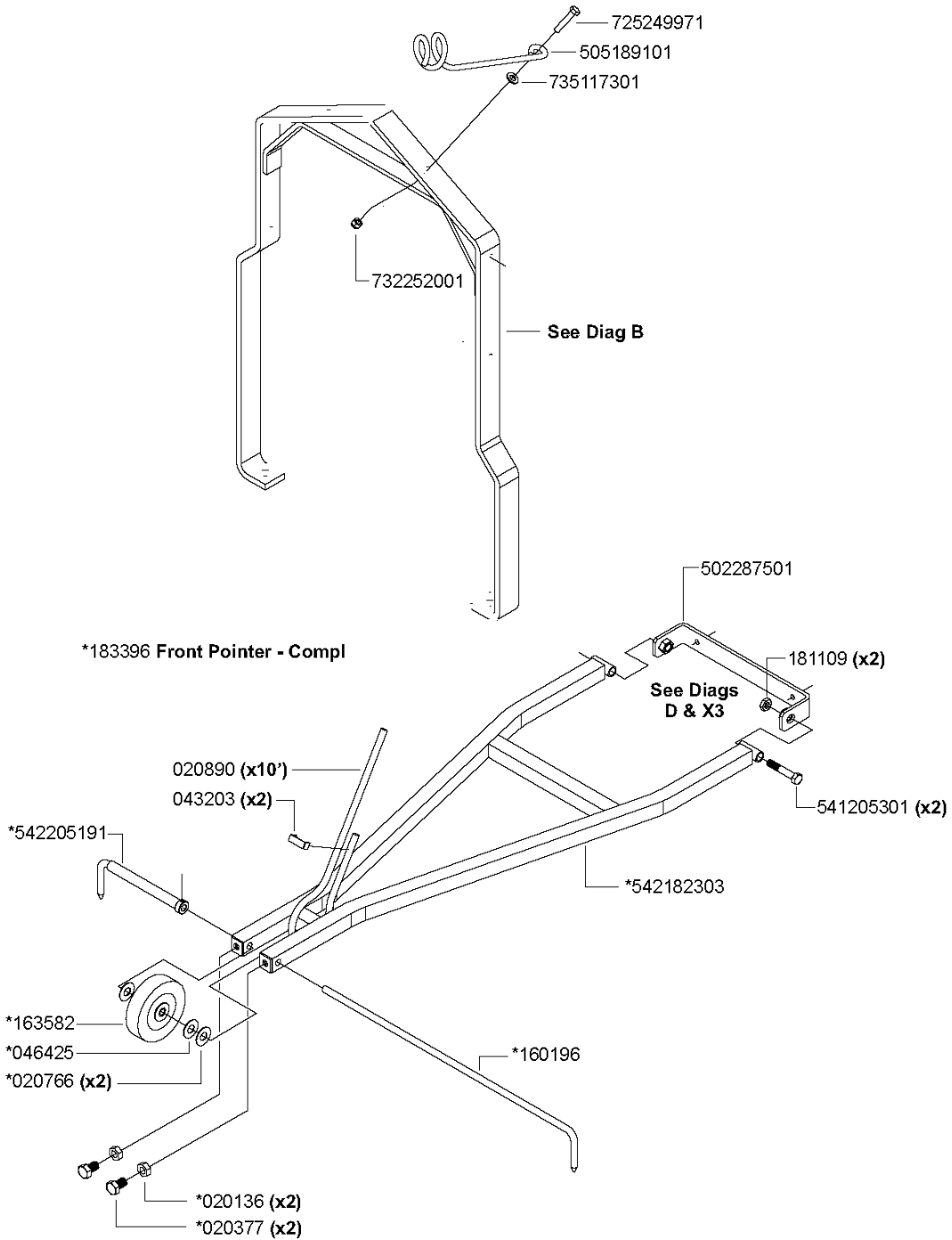
FS6800 YAN T3, 2009-10

Part No	Description	Remark	QTY KIT
163245	GROMMET		1
167555	U-NUT.M8 x 1.25 (.8-4 mm MATL)		3
167555	U-NUT.M8 x 1.25 (.8-4 mm MATL)		2
167555	U-NUT.M8 x 1.25 (.8-4 mm MATL)		2
173059	WASHER		2
505 12 99-01	COWL PANEL		1
505 12 99-14	COWL		1
505203501	TBD		2
506 74 74-01	NUT		2
506 74 80-01	COVER		1
506 74 80-03	COVER		1
506 74 81-02	CONTROL		1
542 16 36-72	RING		1
542 19 90-21	ISOLATOR		2
542 19 90-53	SCREW		3
725 24 51-71	SCREW EHHM		1
725 24 51-71	SCREW EHHM		2
731 23 18-01	HEXAGON NUT		2
732 25 18-01	HEXAGON LOCKING NUT		1
735 11 64-01	SPRING WASHER		2

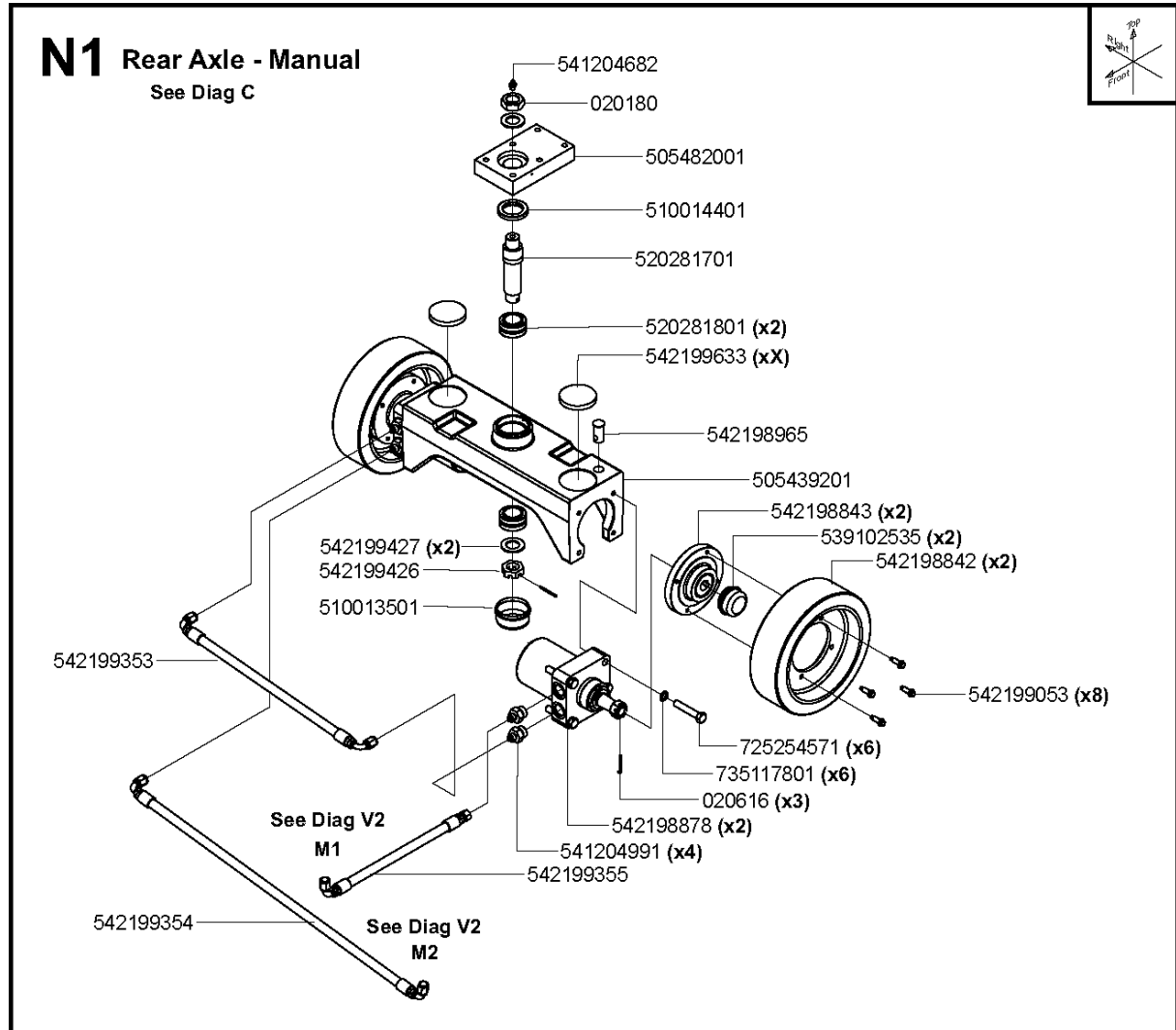


Ref	Part No	Description	Remark	QTY KIT
542199053	542 19 90-53	SCREW		1
541208421	541 20 84-21	COWL PANEL		1
167555	167555	U-NUT.M8 x 1.25 (.8-4 mm MATL)		1
541208427	541 20 84-27	BRACKET		1
542199053	542 19 90-53	SCREW		2
542199039	542 19 90-39	INSULATOR		1
542199125	542 19 91-25	FITTING		1
178724	178724	SWITCH. PRESSURE. N.O.		1
542199126	542 19 91-26	FITTING		1
167555	167555	U-NUT.M8 x 1.25 (.8-4 mm MATL)		2
542199247	542 19 92-47	BRACKET		1
539300243	539 30 02-43	NIPPLE		1
040261	40261	VALVE. BALL WATER SHUT-OFF .5"		1
542199127	542 19 91-27	FITTING		1
541204855	541 20 48-55	FITTING		1
542196173	542 19 61-73	HOSE		1
539300011	539 30 00-11	HOSE CLAMP		1
542199124	542 19 91-24	FITTING		1
045642	45642	WASHER		1
045640	45640	FILTER WASHER		1
542190733	542 19 07-33	DECAL		1
542190733	542 19 07-33	DECAL		1

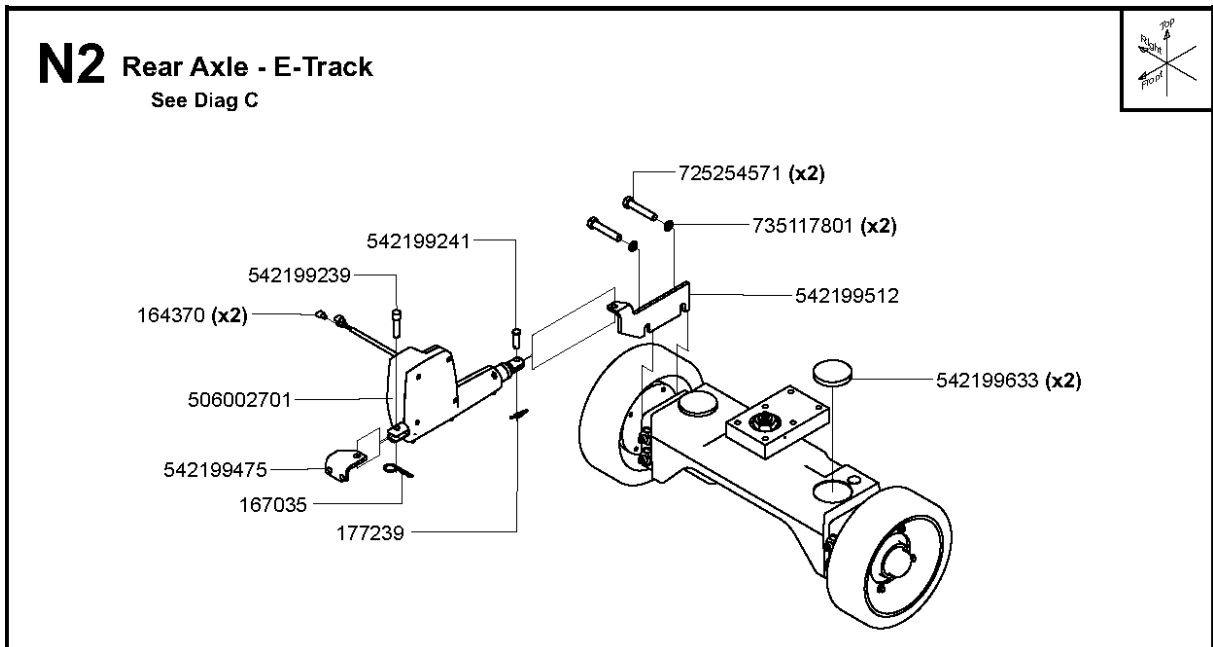
M Front Pointer & Rope Guide



Ref	Part No	Description	Remark	QTY KIT
046425	46425	LOCKWASHER. SPRING		1
163582	163582	WHEEL		1
020136	20136	MESSER KOPF		2
020377	20377	HHCS. .375-16 x 1.5 GR 5 Z/P		2
043203	43203	CLAMP		2
020890	20890	SASH CORD. 1/4 DIA #85 X 1200		10
542182303	542 18 23-03	POINTER		1
541205301	541 20 53-01	SCREW		2
502287501	502 28 75-01	BRACKET		1
160196	160196	GUIDE BAR		1
542205191	542 20 51-91	CABLE		1
181109	181109	NUT		2
020766	20766	WASHER		2
183396	183396	FRONT POINTER ASSY. PRO 65		1
725249971	725 24 99-71	SCREW EHHM		1
505189101	505 18 91-01	BRACKET		1
735117301	735 11 73-01	SPRING WASHER		1
732252001	732 25 20-01	HEXAGON LOCKING NUT		1



Ref	Part No	Description	Remark	QTY KIT
542198843	542 19 88-43	HUB		2
542198842	542 19 88-42	REAR WHEEL		2
542198965	542 19 89-65	PIN		1
020180	542 02 01-80	FS1200T NUT - JAM 1"-14/"		1
542199427	542 19 94-27	SPRING		2
505482001	505 48 20-01	BLOCK		1
542198878	542 19 88-78	HYDRAULIC MOTOR		2
520281801	520 28 18-01	BEARING		2
542199633	542 19 96-33	DISC		1
505439201	505 43 92-01	REAR AXLE		1
510013501	510 01 35-01	HUB		1
542199353	542 19 93-53	HOSE		1
510014401	510 01 44-01	SEAL		1
542199053	542 19 90-53	SCREW		8
539102535	539 10 25-35	CAP		2
020616	20616	BOLT		3
725254571	725 25 45-71	SCREW EHHM		6
735117801	735 11 78-01	WASHER		6
541204991	541 20 49-91	ADAPTER		4
542199354	542 19 93-54	HOSE		1
542199355	542 19 93-55	HOSE		1
541204682	541 20 46-82	GREASE		1
520281701	520 28 17-01	SHAFT		1
542199426	542 19 94-26	NUT		1



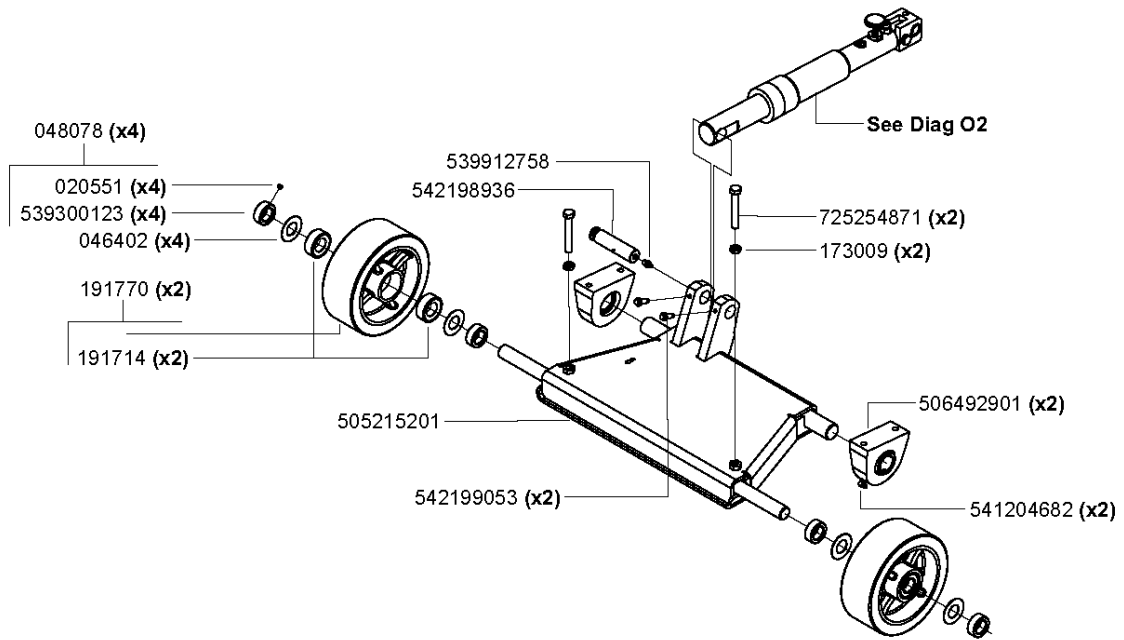
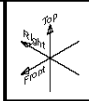
Rear Axle - E-Track

FS6800 YAN T3, 2009-10

Ref	Part No	Description	Remark	QTY KIT
542199239	542 19 92-39	BOLT		1
542199241	542 19 92-41	BOLT		1
542199633	542 19 96-33	DISC		2
542199512	542 19 95-12	LINK		1
735117801	735 11 78-01	WASHER		2
725254571	725 25 45-71	SCREW EHHM		2
542199475	542 19 94-75	BRACKET		1
167035	167035	PIN. COTTER HAIR SPRING.5-.625		1
177239	177239	PIN. RUE RING 1/2 DIA		1
506002701	506 00 27-01	ACTUATOR		1
164370	542 16 43-70	CABLE SHOE		2

O1 Front Axle

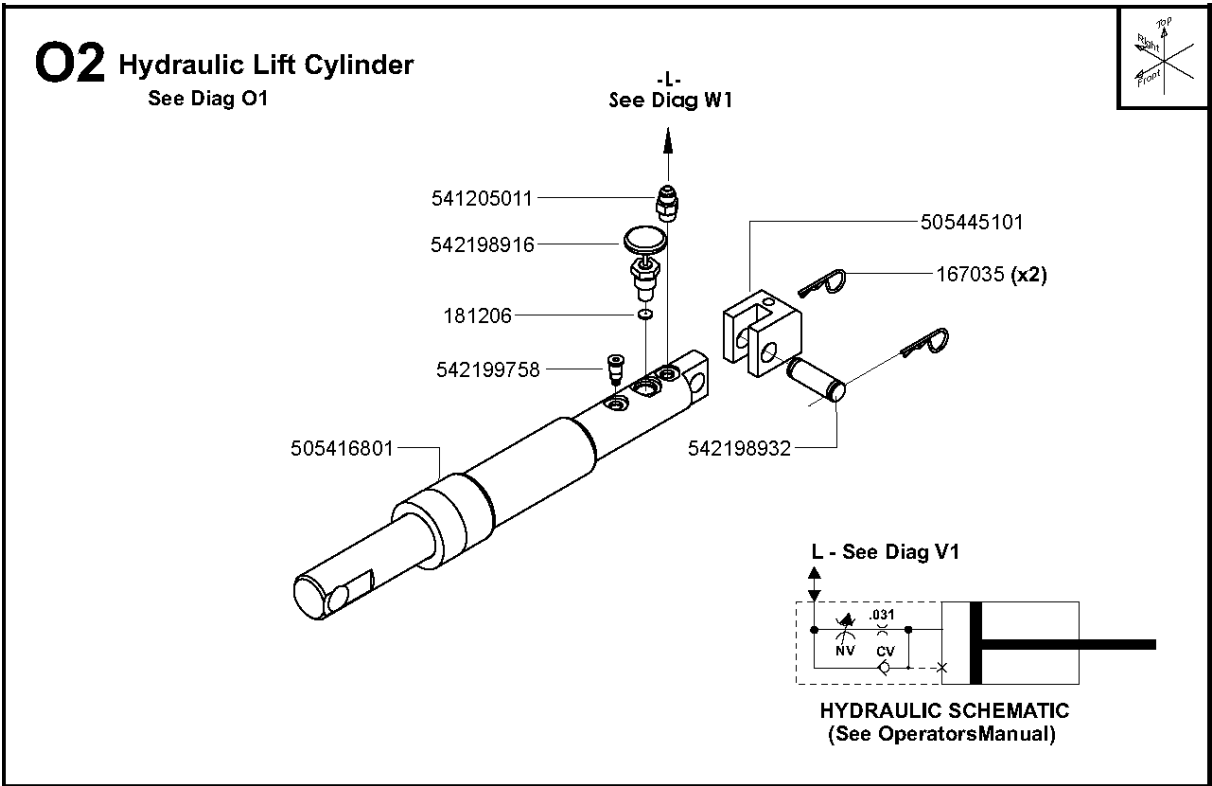
See Diag D



FRONT AXLE

FS6800 YAN T3, 2009-10

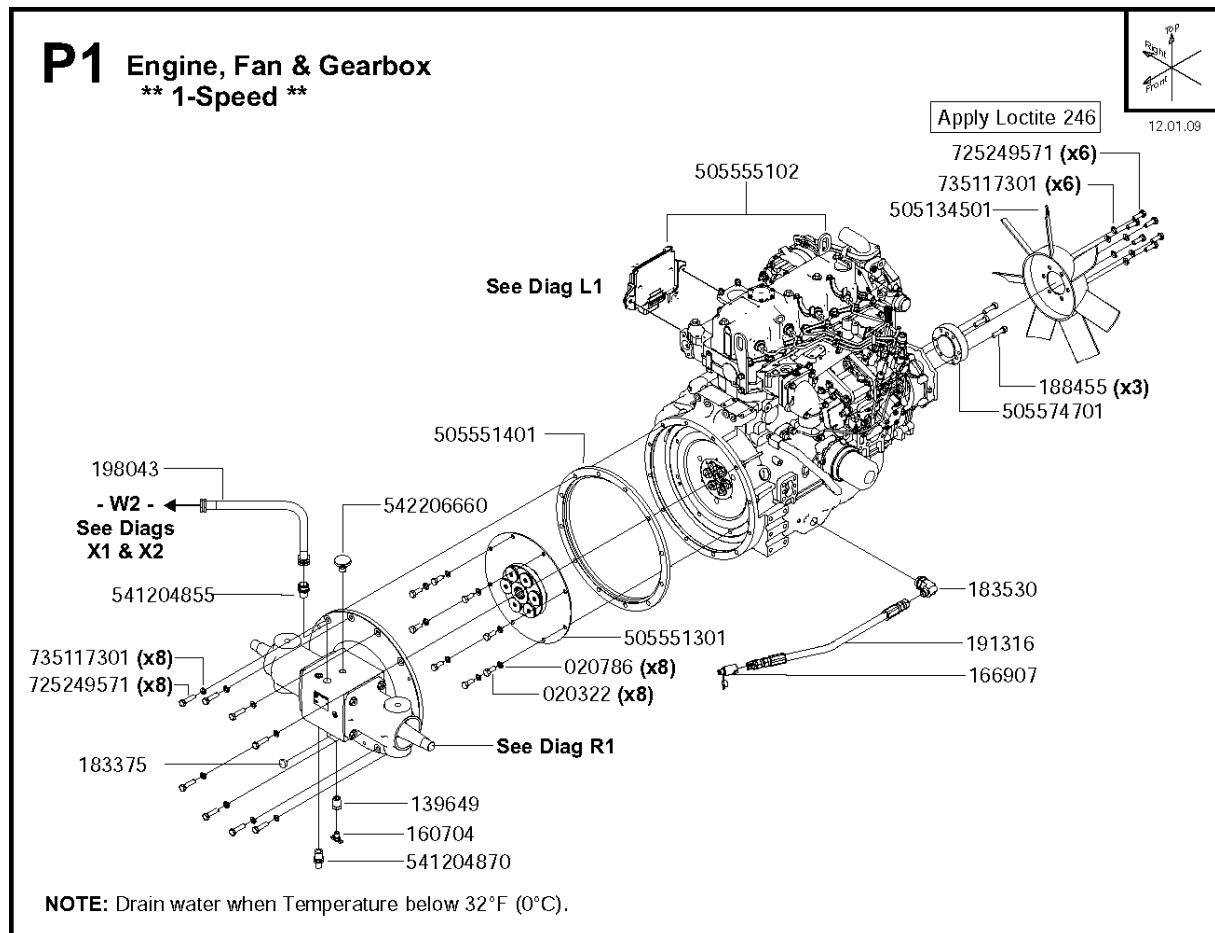
Ref	Part No	Description	Remark	QTY KIT
542199053	542 19 90-53	SCREW		2
191770	191770	WHEEL ASSY		2
046402	46402	WASHER		4
539300123	539 30 01-23	BUSHING		4
173009	173009	NUT		2
539912758	539 91 27-58	NIPPLE		1
048078	48078	COLLAR. SET: 1" ID w/SS		4
725254871	725 25 48-71	SCREW EHHM		2
020551	20551	SHSS. .3125-18 x .25 CUP HK		4
505215201	505 21 52-01	AXLE		1
506492901	506 49 29-01	BEARING		2
541204682	541 20 46-82	GREASE		2
542198936	542 19 89-36	BOLT		1
191714	542 19 17-14	BALL BEARING		2



Hydraulic Lift Cylinder

FS6800 YAN T3, 2009-10

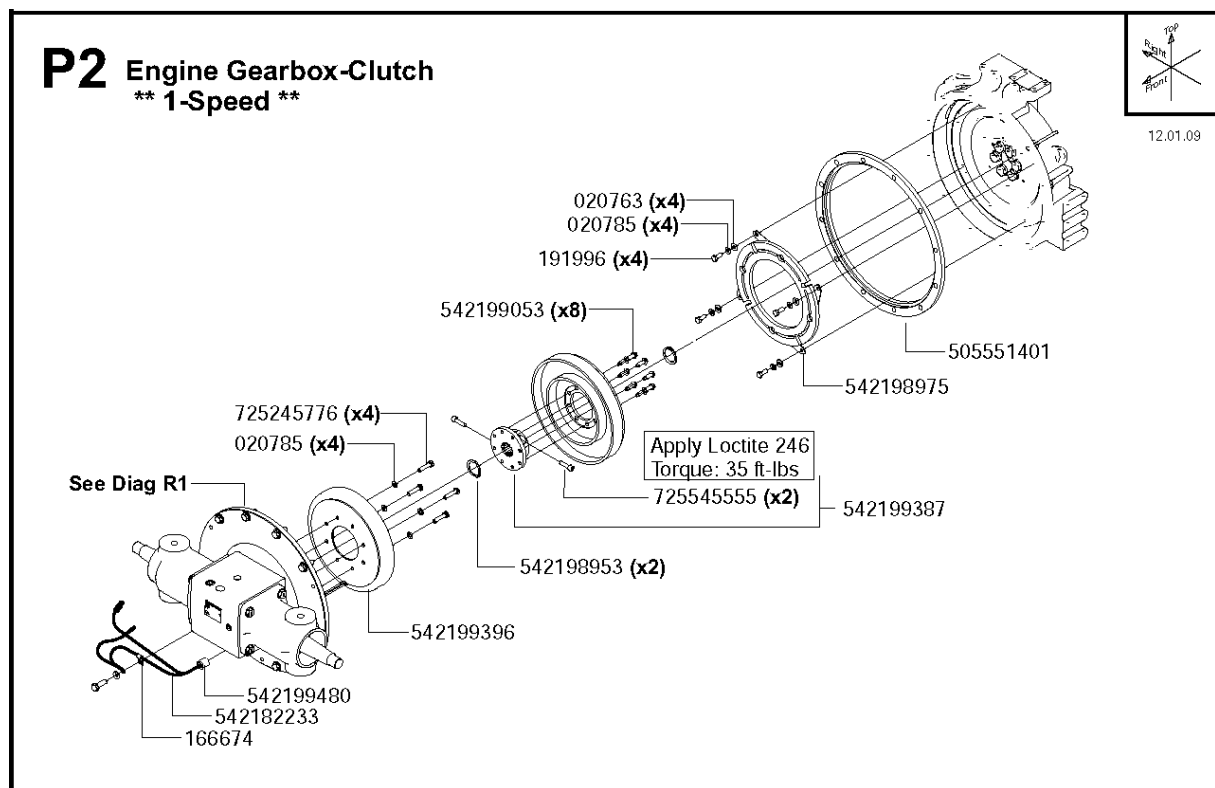
Part No	Description	Remark	QTY KIT
167035	PIN. COTTER HAIR SPRING.5-.625		2
181206	ORIFICE. DISK .031		1
505 41 68-01	CYLINDER		1
505 44 51-01	BLOCK		1
541 20 50-11	ADAPTER		1
542 19 89-16	NEEDLE VALVE		1
542 19 89-32	BOLT		1
542 19 97-58	VALVE		1



Engine, Fan & Gearbox, 1-Speed

FS6800 YAN T3, 2009-10

Ref	Part No	Description	Remark	QTY KIT
198043	198043	COVER.CHASSIS.FRONT.WELD.TEX		1
505551401	505 55 14-01	SPACER RING		1
160704	160704	PETCOCK		1
139649	139649	BUSHING. BRASS 1/2NPTx1/4NPT		1
541204870	541 20 48-70	FITTING		1
183375	183375	FRAME.BAG.21.PUSH		1
725249571	725 24 95-71	SCREW EHHM		8
541204855	541 20 48-55	FITTING		1
542206660	542 20 66-60	BREATHER		1
735117301	735 11 73-01	SPRING WASHER		8
020322	20322	HHCS. .375-16 x .75 GR 5 Z/P		8
166907	166907	KIT.HSG.21.RGWD.MC		1
191316	191316	HOSE. OIL DRAIN. 20"		1
183530	183530	FITTING. METRIC ELBO M22-8JIC		1
505574701	505574701	SPACER		1
020786	20786	LOCKWASHER. SPLIT .375		8
505134501	505 13 45-01	FAN		1
188455	188455	TBD		3
735117301	735 11 73-01	SPRING WASHER		6
725249571	725 24 95-71	SCREW EHHM		6
505551301	505551301	COUPLER		1
50555102	505 55 51-02	ENGINE		1

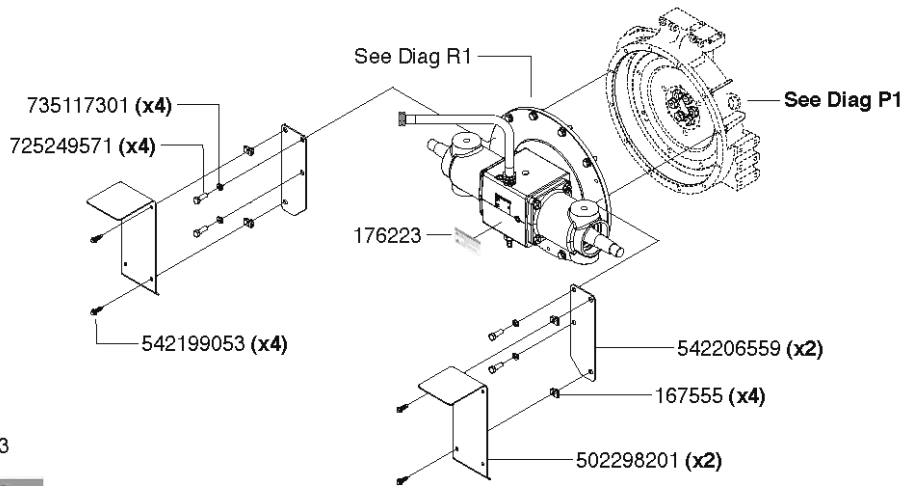


Ref	Part No	Description	Remark	QTY KIT
166674	166674	CLAMP		1
542182233	542 18 22-33	DIODE		1
542199480	542 19 94-80	BUSHING		1
542199396	542 19 93-96	COIL		1
542198953	542 19 89-53	RING		2
542199387	542 19 93-87	HUB		1
20785	20785	LOCKWASHER. SPLIT .3125 (M8)		4
725245776	725 24 57-76	SCREW EHHM		4
020763	20763	WASHER		4
020785	20785	LOCKWASHER. SPLIT .3125 (M8)		4
191996	191996	SHAFT.AXLE.POWER.STEERING		4
542198975	542 19 89-75	ARMATURE		1
505551401	505 55 14-01	SPACER RING		1
542199053	542 19 90-53	SCREW		8
725545555	725 54 55-55	SCREW IHSCM		2

P3 Gearbox & Belt Guard ** 1-Speed **



08.01.09



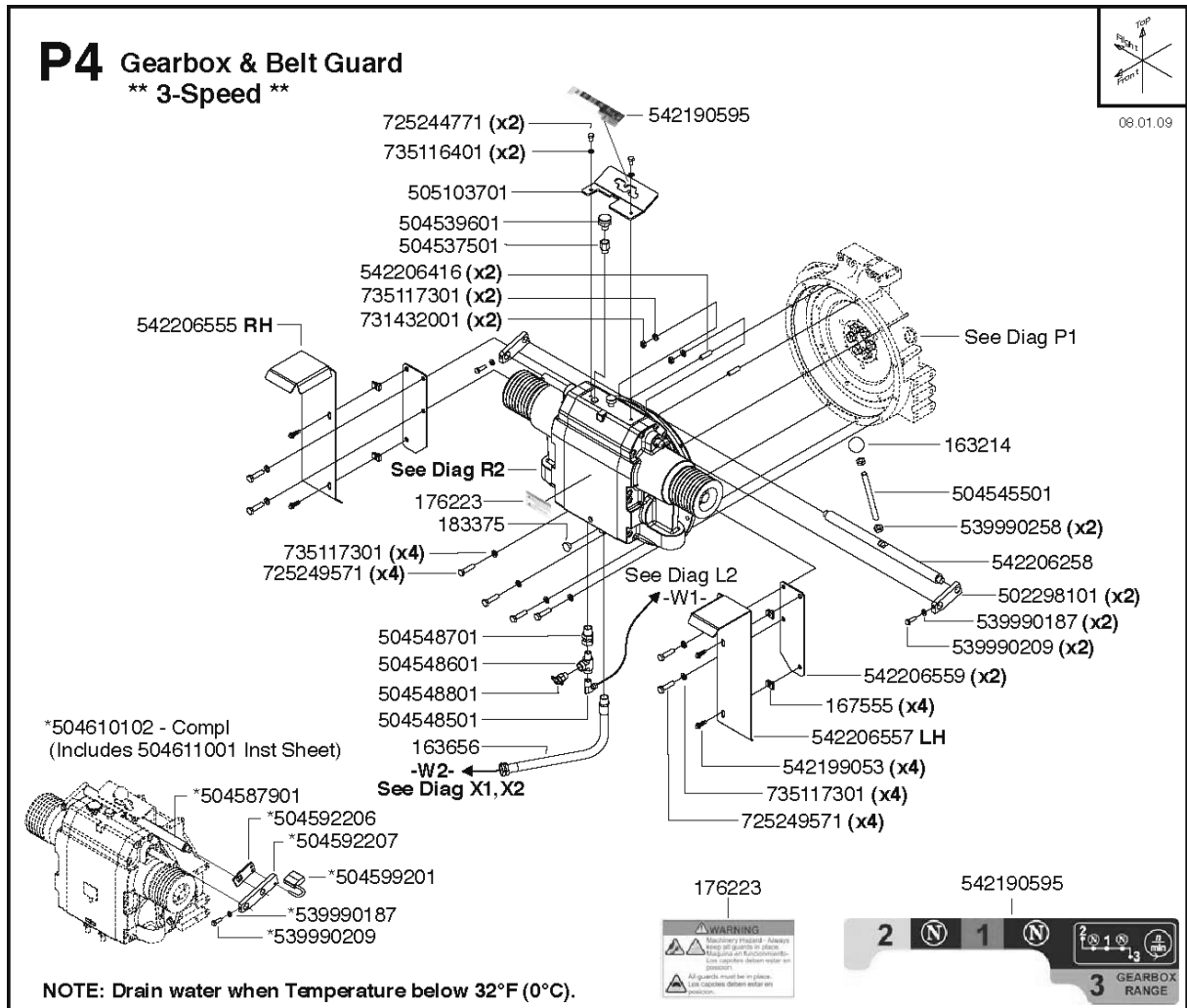
176223



Gearbox & Belt Guard, 1-Speed

FS6800 YAN T3, 2009-10

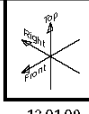
Part No	Description	Remark	QTY KIT
167555	U-NUT.M8 x 1.25 (.8-4 mm MATL)		4
176223	DECAL		1
176223	DECAL		1
502 29 82-01	BELT GUARD		2
542 19 90-53	SCREW		4
542 20 65-59	BELT GUARD		2
725 24 95-71	SCREW EHHM		4
735 11 73-01	SPRING WASHER		4



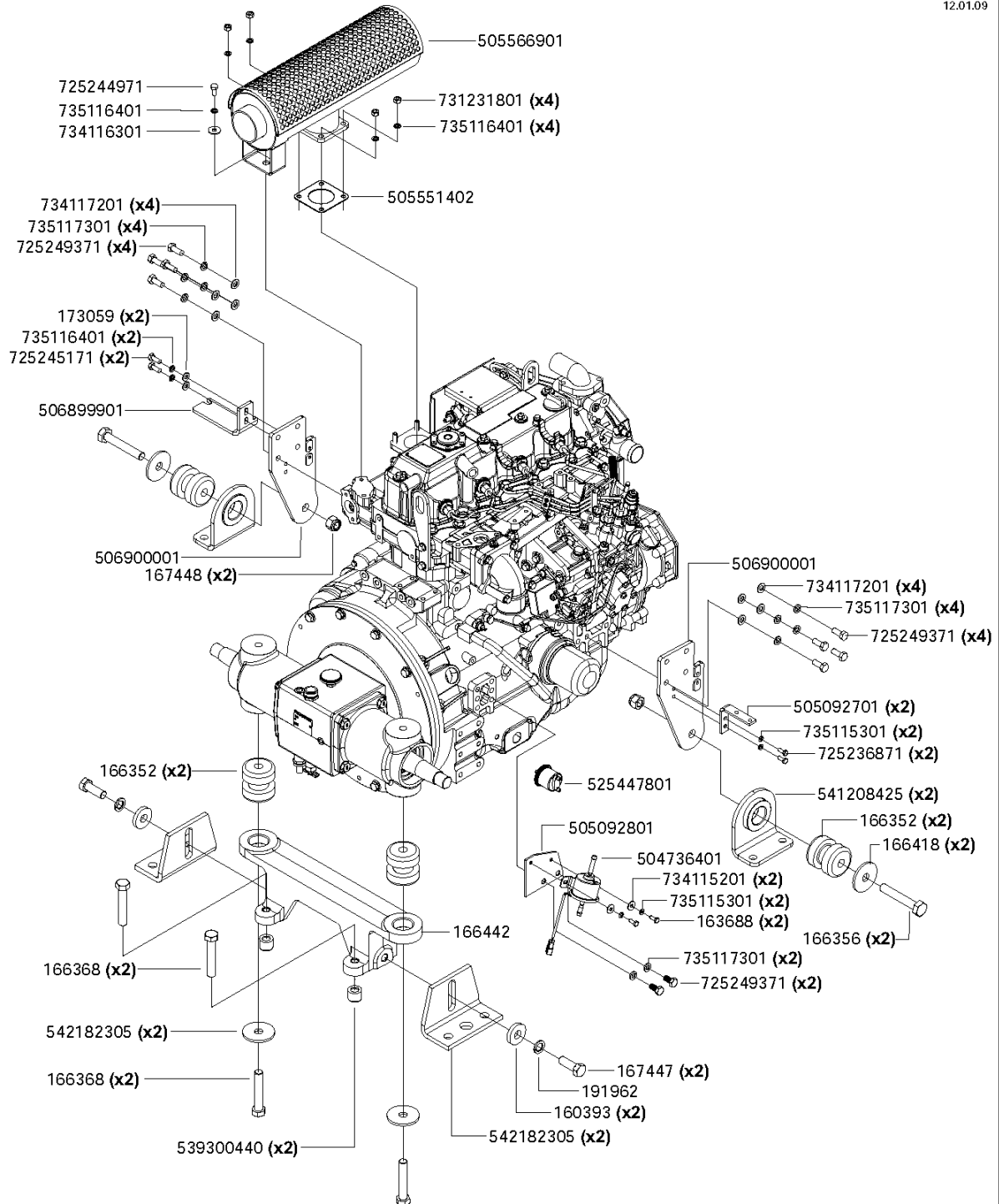
NOTE: Drain water when Temperature below 32°F (0°C).

Part No	Description	Remark	QTY KIT
163214	FRAME.CATCHER		1
163656	HOSE ASSY		1
167555	U-NUT.M8 x 1.25 (.8-4 mm MATL)		4
176223	DECAL		1
183375	FRAME.BAG.21.PUSH		1
502 29 81-01	ARM		2
504 53 75-01	FITTING		1
504 53 96-01	FITTING		1
504 54 55-01	HANDLE		1
504 54 85-01	FITTING		1
504 54 86-01	FITTING		1
504 54 87-01	FITTING		1
504 54 88-01	VALVE		1
504 58 79-01	ROD		1
504 59 22-06	ARM		1
504 59 22-07	ARM		1
504 59 92-01	LOCK		1
504 61 01-02	KIT		1
504 61 10-01	INSTRUCTION		1
505 10 37-01	BRACKET		1
539 99 01-87	WASHER		1
539 99 01-87	WASHER		2
539 99 02-09	SCREW		1
539 99 02-09	SCREW		2
539 99 02-58	NUT		2
542 19 05-95	DECAL		1
542 19 90-53	SCREW		4
542 20 62-58	ROD		1
542 20 64-16	STUD		2
542 20 65-55	GUARD		1
542 20 65-57	GUARD		1
542 20 65-59	BELT GUARD		2
725 24 47-71	SCREW EHHM		2
725 24 95-71	SCREW EHHM		4
725 24 95-71	SCREW EHHM		4
731 43 20-01	HEXAGON THIN NUT		2
735 11 64-01	SPRING WASHER		2
735 11 73-01	SPRING WASHER		4
735 11 73-01	SPRING WASHER		2
735 11 73-01	SPRING WASHER		4

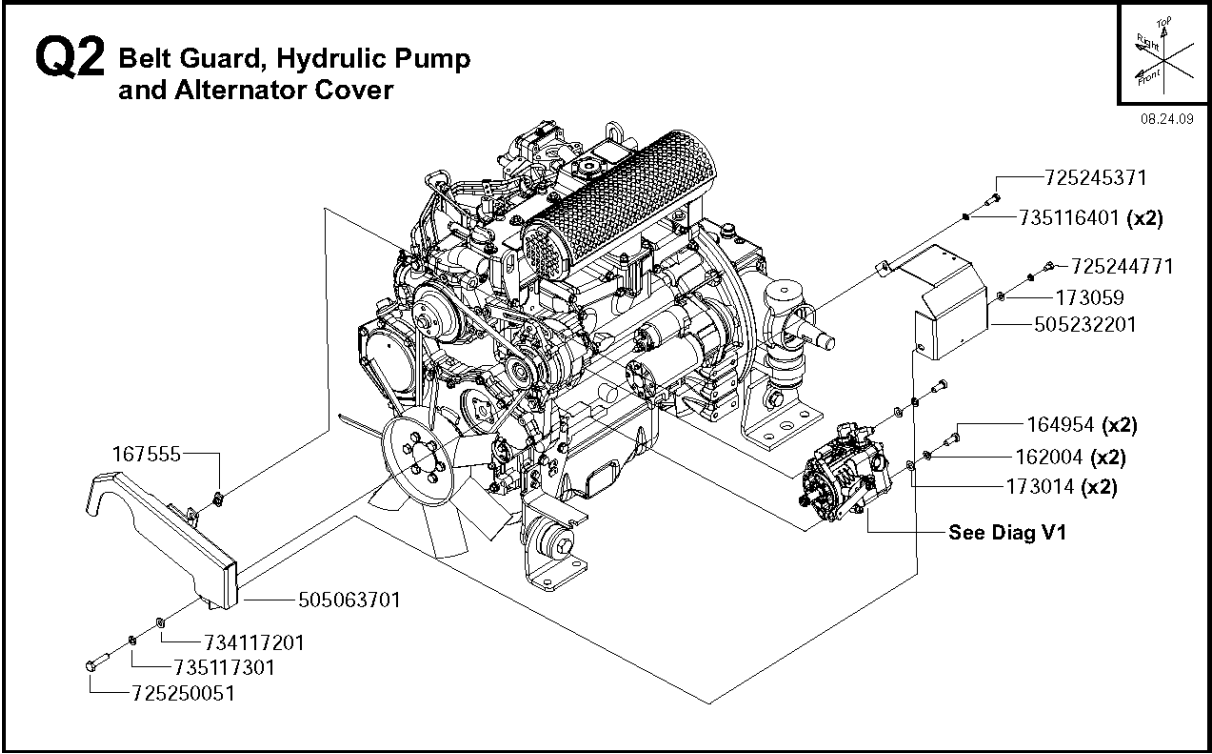
Q1 Engine Mounting, Guards & Muffler



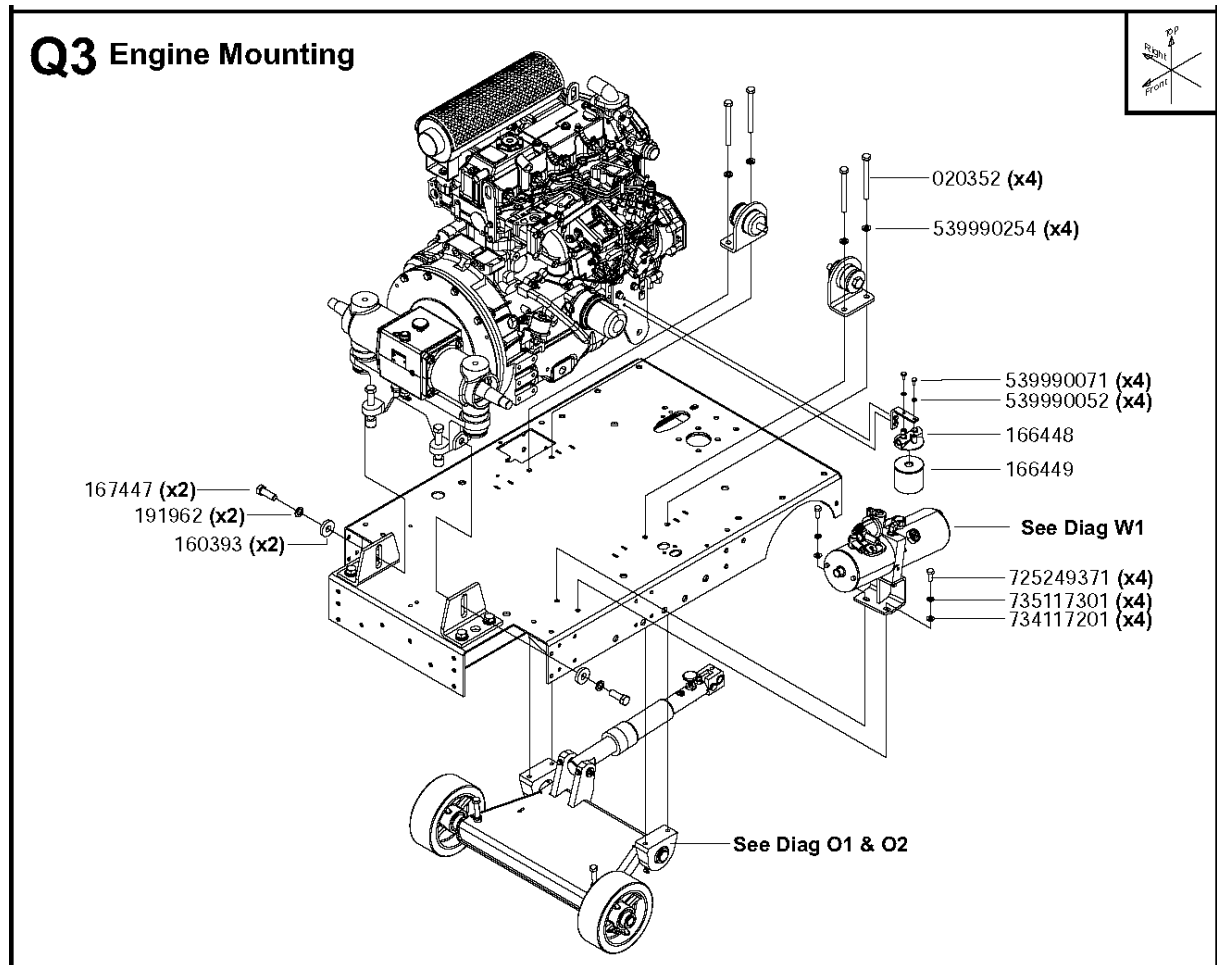
12.01.09



Ref	Part No	Description	Remark	QTY KIT
735116401	735 11 64-01	SPRING WASHER		1
166356	166356	HHCS. M16 x 2 x 100 DIN931 Z/P		2
163688	163688	HHCS. M6 x 1.0 x 16 DIN933 Z/P		2
735115301	735 11 53-01	WASHER		2
504736401	542 20 51-17	FUEL PUMP		1
505092801	505092801	BRACKET		1
734115201	734 11 52-01	WASHER		2
541208425	541 20 84-25	MOUNT		2
166352	166352	ISOLATOR		2
166418	166418	WASHER		2
735117301	735 11 73-01	SPRING WASHER		2
725249371	725 24 93-71	SCREW EHHM		2
167447	167447	HHCS. M16 x 2 x 45 DIN931 Z/P		2
191962	191962	WASHER		1
160393	160393	CHASSIS		2
542182305	542 18 23-05	BRACKET		2
542182305	542 18 23-05	BRACKET		2
166442	166442	SUPPORT. ENGINE REAR MACHINE		1
166368	166368	HHCS. M16 x 2 x 90 DIN933 Z/P		2
166368	166368	HHCS. M16 x 2 x 90 DIN933 Z/P		2
539300440	539 30 04-40	BOLT		2
725236871	725 23 68-71	SCREW EHHM		2
735115301	735 11 53-01	WASHER		2
505092701	505 09 27-01	BRACKET		2
725249371	725 24 93-71	SCREW EHHM		4
735117301	735 11 73-01	SPRING WASHER		4
734117201	734 11 72-01	WASHER		4
167448	167448	LOCKNUT. FIBER M16 x 2.0		2
725245171	725 24 51-71	SCREW EHHM		2
735116401	735 11 64-01	SPRING WASHER		2
506899901	506899901	BRACKET		1
173059	173059	WASHER		2
725249371	725 24 93-71	SCREW EHHM		4
735117301	735 11 73-01	SPRING WASHER		4
734117201	734 11 72-01	WASHER		4
505566901	505 56 69-01	MUFFLER		1
166352	166352	ISOLATOR		2
731231801	731 23 18-01	HEXAGON NUT		4
725244971	725 24 49-71	SCREW EHHM		1
735116401	735 11 64-01	SPRING WASHER		4
525447801	525 44 78-01	SWITCH		1
505551402	505 55 14-02	GASKET		1
734116301	734 11 63-01	WASHER		1



Part No	Description	Remark	QTY KIT
162004	LOCKWASHER. SPLIT M10		2
164954	SHCS. M10 x 1.5 x 25 LOHEADGR8		2
167555	U-NUT.M8 x 1.25 (.8-4 mm MATL)		1
173014	WASHER		2
173059	WASHER		1
505 06 37-01	BELT COVER		1
505 23 22-01	COVER		1
725 24 47-71	SCREW EHHM		1
725 24 53-71	SCREW EHHM		1
725 25 00-51	SCREW EHHM		1
734 11 72-01	WASHER		1
735 11 64-01	SPRING WASHER		2
735 11 73-01	SPRING WASHER		1



ENGINE PLATE

FS6800 YAN T3, 2009-10

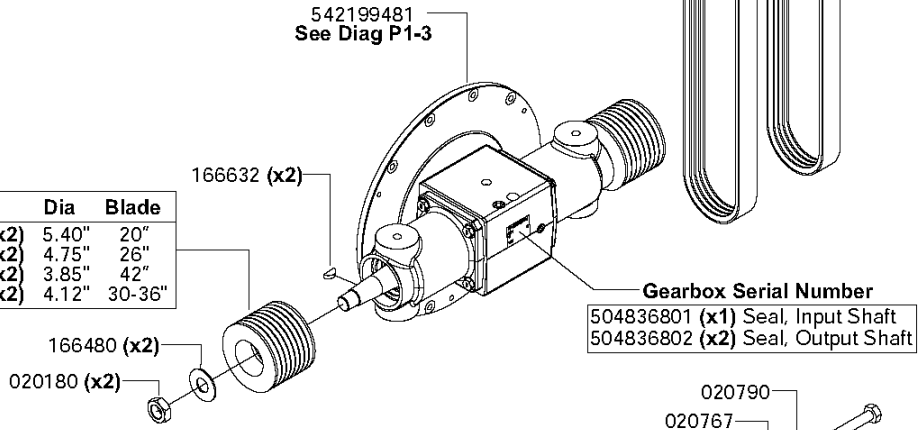
Ref	Part No	Description	Remark	QTY KIT
191962	191962	WASHER		2
167447	167447	HHCS. M16 x 2 x 45 DIN931 Z/P		2
020352	20352	HHCS. .5-13 x 5 GR 5 Z/P		4
539990071	539 99 00-71	HCS ¼-20 X ½ GR 5 ZD		4
539990254	539 99 02-54	WASHER		4
166448	166448	FILTER HEAD		1
166449	166449	FILTER. SPIN-ON		1
539990052	539 99 00-52	WASHER		4
725249371	725 24 93-71	SCREW EHHM		4
735117301	735 11 73-01	SPRING WASHER		4
734117201	734 11 72-01	WASHER		4
160393	160393	CHASSIS		2

R1 Gearbox - Blade Shaft

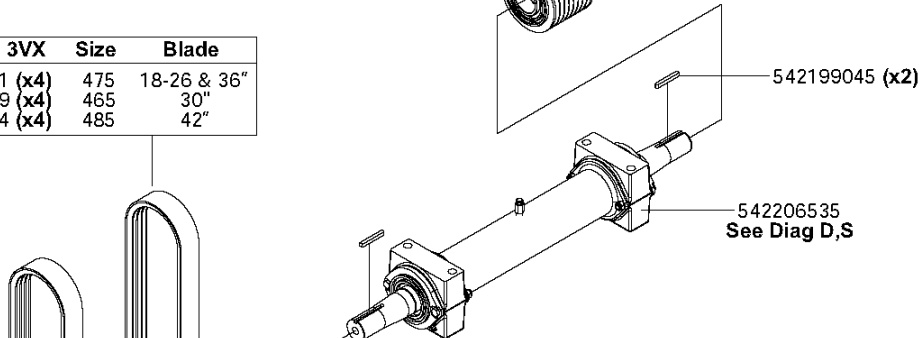
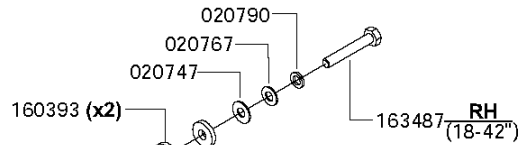
****1-Speed****



Pulley No	Dia	Blade
505417405 (x2)	5.40"	20"
166365 (x2)	4.75"	26"
505417403 (x2)	3.85"	42"
191895 (x2)	4.12"	30-36"

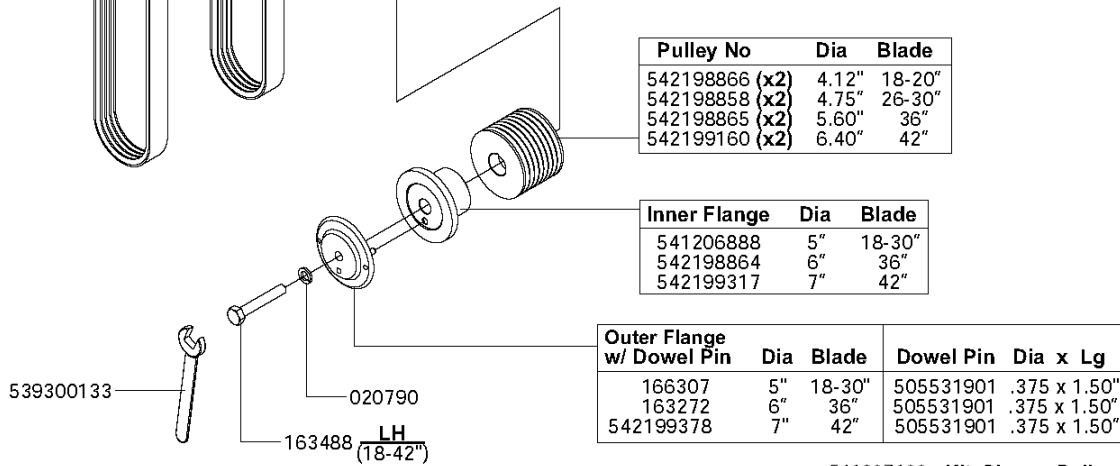


4-Band 3VX	Size	Blade
505283201 (x4)	475	18-26 & 36"
166629 (x4)	465	30"
542199764 (x4)	485	42"



Pulley No	Dia	Blade
542198866 (x2)	4.12"	18-20"
542198858 (x2)	4.75"	26-30"
542198865 (x2)	5.60"	36"
542199160 (x2)	6.40"	42"

Inner Flange	Dia	Blade
541206888	5"	18-30"
542198864	6"	36"
542199317	7"	42"



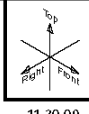
Outer Flange w/ Dowel Pin	Dia	Blade	Dowel Pin Dia x Lg
166307	5"	18-30"	505531901 .375 x 1.50"
163272	6"	36"	505531901 .375 x 1.50"
542199378	7"	42"	505531901 .375 x 1.50"

541207100 - Kit, Sheave Puller (Optional)

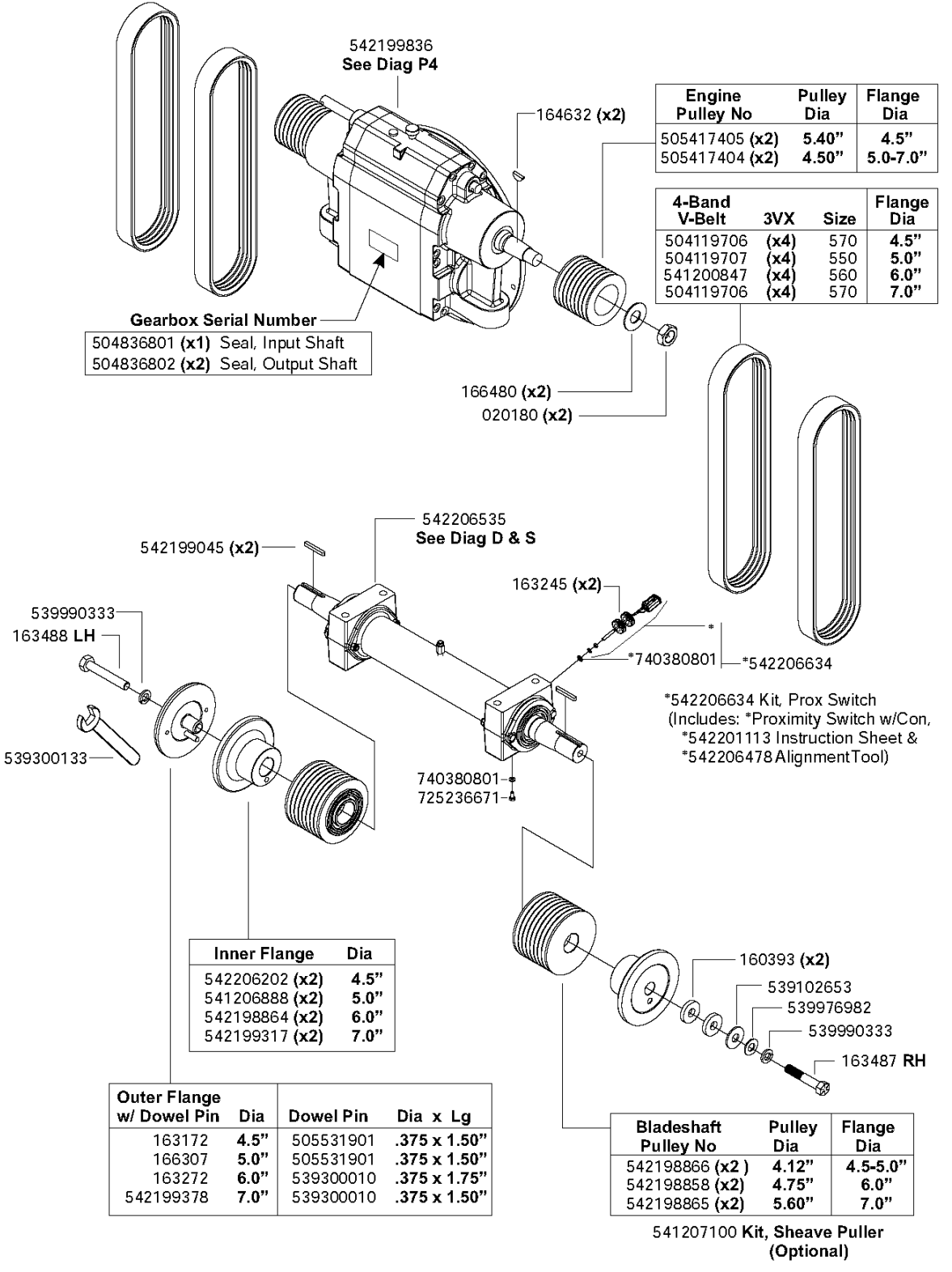
Ref	Part No	Description	Remark	QTY KIT
505531901	505 53 19-01	PIN		1
541207100	541 20 71-00	SHEAVE		1
166307	166307	BLADE FLANGE W/PIN - 5" QDS		1
504836802	504 83 68-02	SEAL		2
163487	163487	HHCS. .625-11x3.5 RH THD GR BD		1
504836801	504 83 68-01	SEAL		1
542199045	542 19 90-45	KEY		2
542206535	542 20 65-35	BLADE SHAFT		1
505531901	505 53 19-01	PIN		1
020790	20790	LOCKWASHER. SPLIT .625 Z/P		1
542198865	542 19 88-65	PULLEY		2
542198866	542 19 88-66	PULLEY		2
020767	20767	WASHER		1
542199160	542 19 91-60	WASHER		2
542198858	542 19 88-58	PULLEY		2
020747	20747	WASHER		1
542199378	542 19 93-78	COLLAR		1
542199317	542 19 93-17	FLANGE		1
541206888	541 20 68-88	FLANGE		1
542198864	542 19 88-64	FLANGE		1
160393	160393	CHASSIS		2
505531901	505 53 19-01	PIN		1
163272	163272	OUTER COLLAR W/DOWEL PIN 6"		1
542199481	542 19 94-81	GEARBOX		1
20790	20790	LOCKWASHER. SPLIT .625 Z/P		1
166632	166632	TBD		2
163488	163488	HHCS. .625-11X3.5 LH THD GR BD		1
166480	166480	WASHER		2
020180	542 02 01-80	FS1200T NUT - JAM 1"-14/"		2
539300133	539 30 01-33	WRENCH		1
166629	166629	V-BELT		1
542199764	542 19 97-64	V-BELT		1
505283201	505 28 32-01	V-BELT		1
166365	166365	PULLEY		1
191895	191895	PULLEY		1
505417405	505 41 74-05	PULLEY		1
505417403	505 41 74-03	PULLEY		1

R2 Gearbox - Blade Shaft

**** 3-Speed ****



11.30.09



542199836
See Diag P4

Gearbox Serial Number
504836801 (x1) Seal, Input Shaft
504836802 (x2) Seal, Output Shaft

Engine Pulley No	Pulley Dia	Flange Dia
505417405 (x2)	5.40"	4.5"
505417404 (x2)	4.50"	5.0-7.0"

4-Band V-Belt	3VX	Size	Flange Dia
504119706	(x4)	570	4.5"
504119707	(x4)	550	5.0"
541200847	(x4)	560	6.0"
504119706	(x4)	570	7.0"

Inner Flange	Dia
542206202 (x2)	4.5"
541206888 (x2)	5.0"
542198864 (x2)	6.0"
542199317 (x2)	7.0"

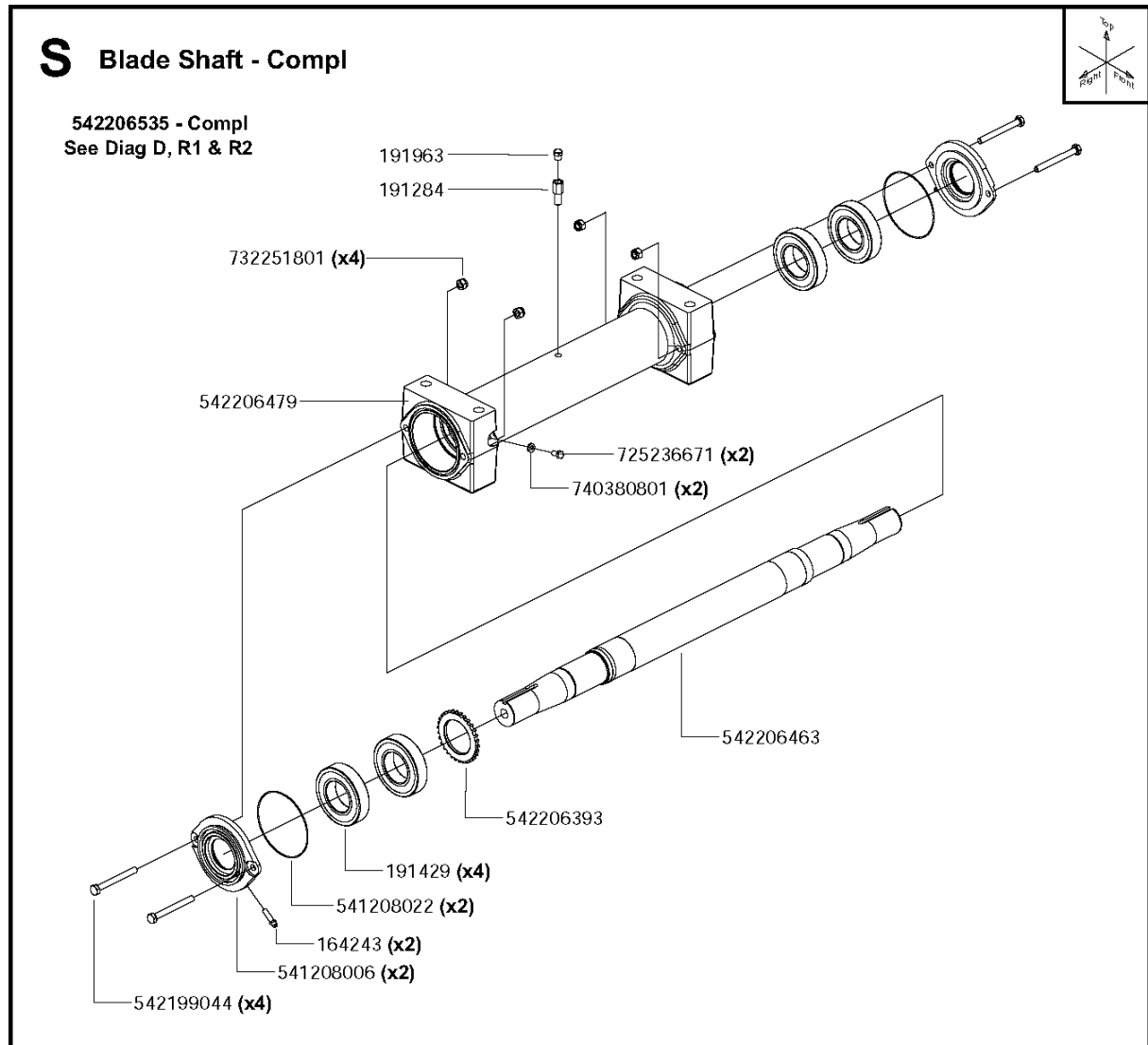
Outer Flange w/ Dowel Pin	Dia	Dowel Pin	Dia x Lg
163172	4.5"	505531901	.375 x 1.50"
166307	5.0"	505531901	.375 x 1.50"
163272	6.0"	539300010	.375 x 1.75"
542199378	7.0"	539300010	.375 x 1.50"

Bladeshaft Pulley No	Pulley Dia	Flange Dia
542198866 (x2)	4.12"	4.5-5.0"
542198858 (x2)	4.75"	6.0"
542198865 (x2)	5.60"	7.0"

*542206634 Kit, Prox Switch
(Includes: *Proximity Switch w/Con,
*542201113 Instruction Sheet &
*542206478 Alignment Tool)

541207100 Kit, Sheave Puller
(Optional)

Ref	Part No	Description	Remark	QTY KIT
539300010	539 30 00-10	PIN		1
504119707	504 11 97-07	V-BELT		4
504119706	504 11 97-06	V-BELT		4
541200847	541 20 08-47	V-BELT		4
504119706	504 11 97-06	V-BELT		4
740380801	740 38 08-01	SEALING WASHER		1
725236671	725 23 66-71	SCREW EHHM		1
542198866	542 19 88-66	PULLEY		2
542198858	542 19 88-58	PULLEY		2
542198865	542 19 88-65	PULLEY		2
539300010	539 30 00-10	PIN		1
505531901	505 53 19-01	PIN		1
542206202	542 20 62-02	FLANGE		2
541206888	541 20 68-88	FLANGE		2
542198864	542 19 88-64	FLANGE		2
542199317	542 19 93-17	FLANGE		2
505531901	505 53 19-01	PIN		1
163487	163487	HHCS. .625-11x3.5 RH THD GR BD		1
160393	160393	CHASSIS		2
539990333	539 99 03-33	WASHER		1
539976982	539 97 69-82	WASHER		1
163172	163172	TBD		1
166307	166307	BLADE FLANGE W/PIN - 5" QDS		1
163272	163272	OUTER COLLAR W/DOWEL PIN 6"		1
542199378	542 19 93-78	COLLAR		1
539300133	539 30 01-33	WRENCH		1
539990333	539 99 03-33	WASHER		1
163488	163488	HHCS. .625-11X3.5 LH THD GR BD		1
542199045	542 19 90-45	KEY		2
542206535	542 20 65-35	BLADE SHAFT		1
539102653	539 10 26-53	WASHER		1
740380801	740 38 08-01	SEALING WASHER		1
542206634	542 20 66-34	KIT. PROXIMITY SWITCH FS4800D		1
542201113	542 20 11-13	SWITCH		1
542206478	542 20 64-78	TOOL. ALIGNMENT - PROX SWITCH		1
542206634	542 20 66-34	KIT. PROXIMITY SWITCH FS4800D		1
163245	163245	GROMMET		2
164632	164632	KEY. WOODRUFF (ANSI #808)		2
166480	166480	WASHER		2
020180	542 02 01-80	FS1200T NUT - JAM 1"-14/"		2
542199836	542 19 98-36	GEAR		1
504836801	504 83 68-01	SEAL		1
504836802	504 83 68-02	SEAL		2
541207100	541 20 71-00	SHEAVE		1
505417405	505 41 74-05	PULLEY		2
505417404	505 41 74-04	PULLEY		2



Blade Shaft Assemblies - Compl with:
Pulleys, Flanges & Mounting Fasteners

FS6800D 1-Speed

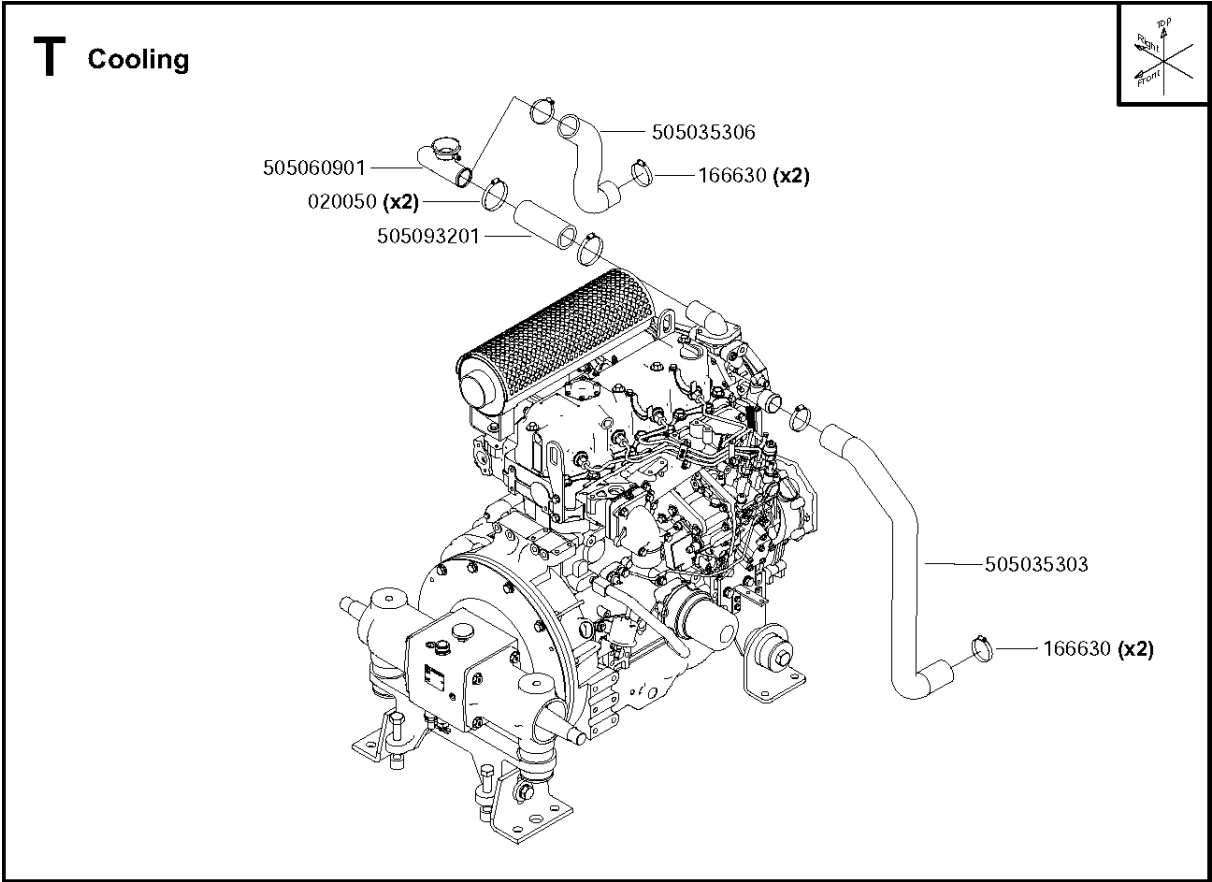
Assy No	Blade	Pulley (x2)	Dia	Inner Flange	Outer Flange	Dia
542199466	14/20"	542198866	4.12"	541206888	166307	5.0"
542199467	26/30"	542198858	4.75"	541206888	166307	5.0"
542199469	36"	542198865	5.60"	542198864	163272	6.0"
542199470	42"	542199160	6.40"	542199317	542199378	7.0"

Blade Shaft Assemblies - Compl with:
Pulleys, Flanges & Mounting Fasteners

FS6800D 3-Speed

Assy No	Blade	Pulley (x2)	Dia	Inner Flange	Outer Flange	Dia
504827002	14/26"	542198866	4.12"	542206202	163172	4.5"
504827001	18/30"	542198866	4.12"	541206888	166307	5.0"
504827003	20/36"	542198858	4.75"	542198864	163272	6.0"
504827004	26/42"	542198865	5.60"	542199317	542199378	7.0"

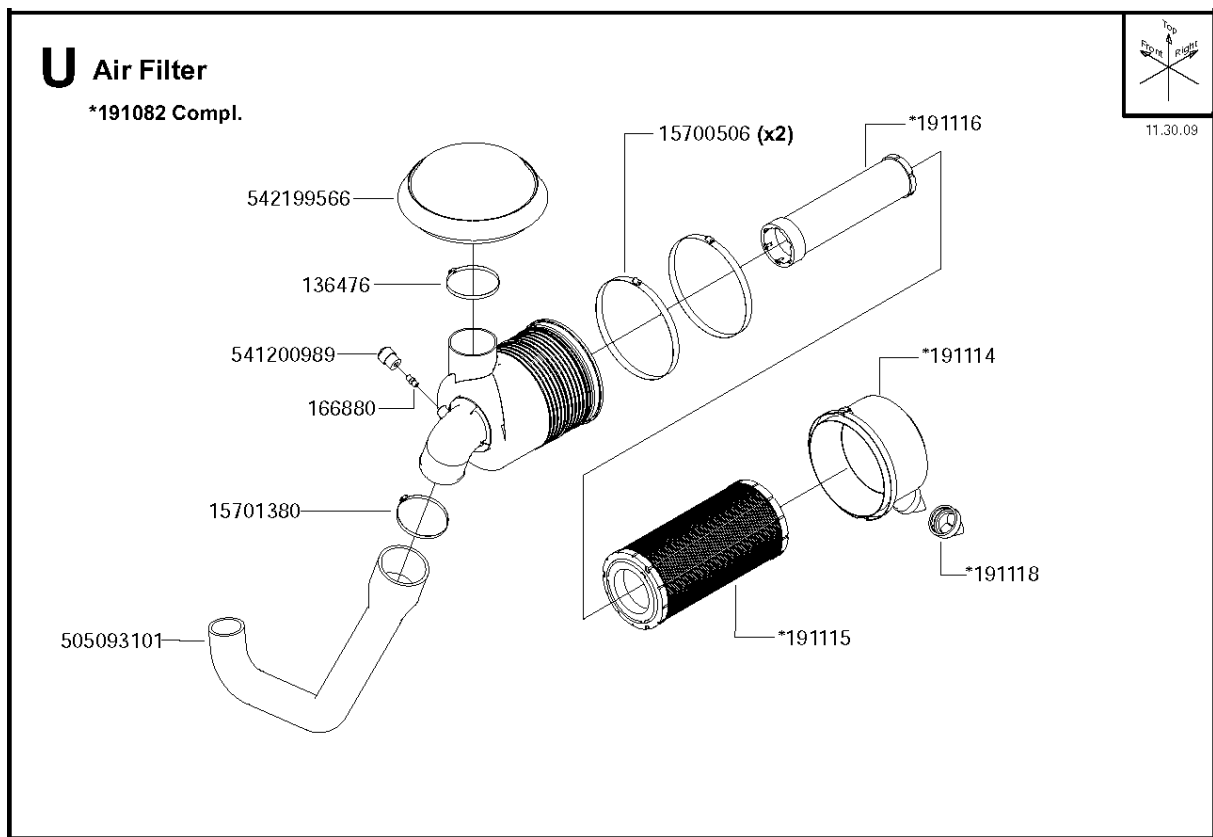
Ref	Part No	Description	Remark	QTY KIT
542206535	542 20 65-35	BLADE SHAFT		1
542199044	542 19 90-44	BOLT		4
164243	164243	ETL RALLY REOX582TF/98		2
541208006	541 20 80-06	SEALING		2
541208022	541 20 80-22	O-RING		2
191429	191429	BEARING		4
542206393	542 20 63-93	GEAR WHEEL		1
542206463	542 20 64-63	BLADE SHAFT		1
542206479	542 20 64-79	TUBE		1
732251801	732 25 18-01	HEXAGON LOCKING NUT		4
191963	191963	VENT PLUG 1/8 NPT		1
191284	191284	PIPE FITTING..12NPTF EXTENSION		1
740380801	740 38 08-01	SEALING WASHER		2
725236671	725 23 66-71	SCREW EHHM		2
542199466	542 19 94-66	BLADE SHAFT		1
542199467	542 19 94-67	BLADE SHAFT		1
542199469	542 19 94-69	BLADE SHAFT		1
542199470	542 19 94-70	BLADE SHAFT		1
504827002	504 82 70-02	BLADE SHAFT		1
504827001	504 82 70-01	BLADE SHAFT		1
504827003	504 82 70-03	BLADE SHAFT		1
504827004	504 82 70-04	BLADE SHAFT		1
542198866	542 19 88-66	PULLEY		1
542198858	542 19 88-58	PULLEY		1
542198865	542 19 88-65	PULLEY		1
542199160	542 19 91-60	WASHER		1
542198866	542 19 88-66	PULLEY		1
542198866	542 19 88-66	PULLEY		1
542198858	542 19 88-58	PULLEY		1
542198865	542 19 88-65	PULLEY		1
541206888	541 20 68-88	FLANGE		1
541206888	541 20 68-88	FLANGE		1
542198864	542 19 88-64	FLANGE		1
542199317	542 19 93-17	FLANGE		1
542206202	542 20 62-02	FLANGE		1
541206888	541 20 68-88	FLANGE		1
542198864	542 19 88-64	FLANGE		1
542199317	542 19 93-17	FLANGE		1
166307	166307	BLADE FLANGE W/PIN - 5" QDS		1
166307	166307	BLADE FLANGE W/PIN - 5" QDS		1
163272	163272	OUTER COLLAR W/DOWEL PIN 6"		1
542199378	542 19 93-78	COLLAR		1
163172	542 16 31-72	COLLAR		1
166307	166307	BLADE FLANGE W/PIN - 5" QDS		1
163272	163272	OUTER COLLAR W/DOWEL PIN 6"		1
542199378	542 19 93-78	COLLAR		1



Cooling

FS6800 YAN T3, 2009-10

Ref	Part No	Description	Remark	QTY KIT
505060901	505 06 09-01	RADIATOR		1
505093201	505 09 32-01	HOSE		1
020050	20050	HOSE CLAMP. WORM DRIVE SAE32		2
505035303	505 03 53-03	RADIATOR		1
166630	166630	HOSE CLAMP		2
166630	166630	HOSE CLAMP		2
505035306	505 03 53-06	RADIATOR		1



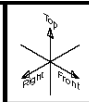
Air Filter

FS6800 YAN T3, 2009-10

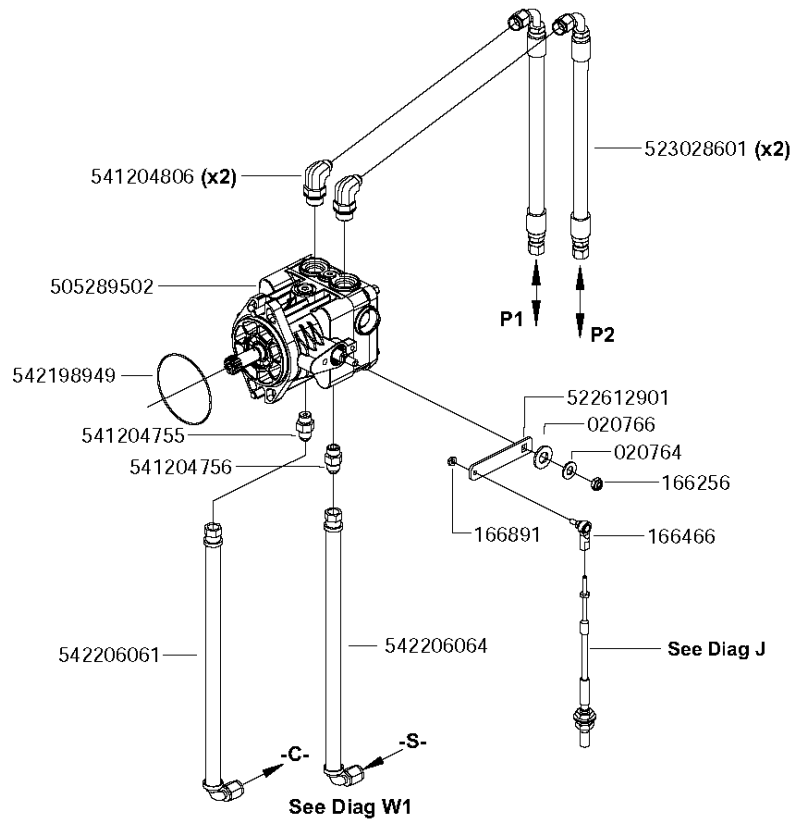
Part No	Description	Remark	QTY KIT
136476	TBD		1
15700506	HOSE CLAMP. WORM DRIVE SAE152		2
15701380	HOSE CLAMP. WORM DRIVE SAE56		1
166880	SCREW		1
191082	AIR CLEANER ASSY 8"		1
191114	TBD		1
191115	FILTRE A AIR PRIMAIRE		1
191116	FILTRE A AIR DE SECURITE		1
191118	DECAL		1
505093101	HOSE		1
541 20 09-89	GAUGE		1
542 19 95-66	HOOD		1

V1 Hydraulic Drive Pump

See Diag Q2



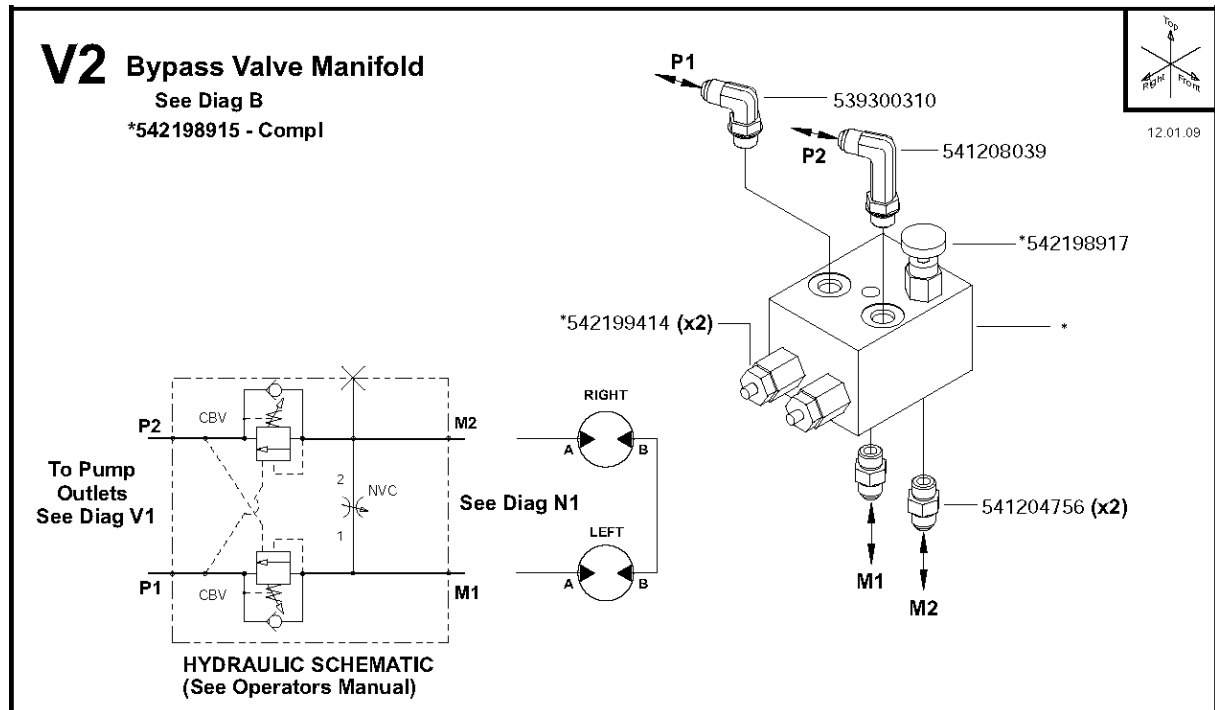
08.24.09



Hydraulic Drive Pump

FS6800 YAN T3, 2009-10

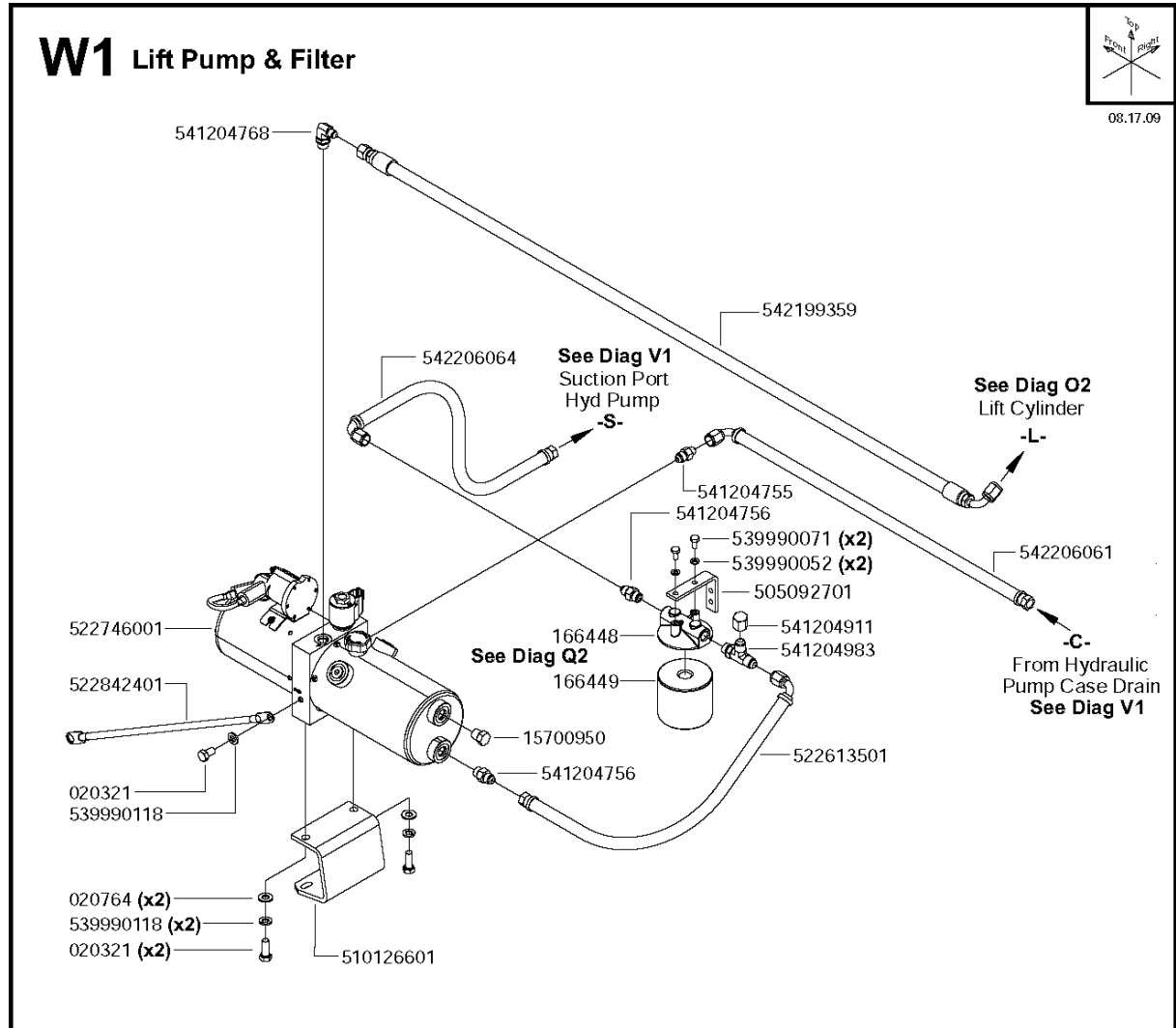
Ref	Part No	Description	Remark	QTY KIT
541204756	541 20 47-56	HYDRAULIK ANPASSUNG		1
541204755	541 20 47-55	ADAPTER		1
523028601	523 02 86-01	HOSE		2
542198949	542 19 89-49	O-RING		1
505289502	505 28 95-08	PUMP		1
522612901	522 61 29-01	ARM		1
020766	20766	WASHER		1
166256	166256	TBD		1
166 891	166891	LOCKNUT. #10 - 32		1
541204806	541 20 48-06	ADAPTER		2
020764	20764	WASHER		1
166466	166466	ROD END		1
542 20 60-61	542 20 60-61	HOSE		1
542 20 60-64	542 20 60-64	HOSE		1



Bypass Valve Manifold

FS6800 YAN T3, 2009-10

Part No	Description	Remark	QTY KIT
539 30 03-10	HYD FIT 6801-6		1
541 20 47-56	HYDRAULIK ANPASSUNG		2
541 20 80-39	HYD FIT 6801-LL-6		1
542 19 89-15	VALVE		1
542 19 89-17	NEEDLE VALVE		1
542 19 94-14	CARTRIDGE		2



Lift Pump & Filter

FS6800 YAN T3, 2009-10

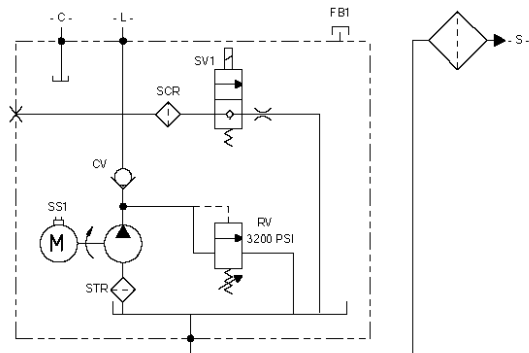
Ref	Part No	Description	Remark	QTY KIT
020764	20764	WASHER		2
522842401	522 84 24-01	CABLE		1
020321	542 02 03-21	SCREW		2
539990118	539 99 01-18	WASHER		2
510126601	510 12 66-01	MOUNT		1
539990118	539 99 01-18	WASHER		1
522746001	522 74 60-01	PUMP		1
541204756	541 20 47-56	HYDRAULIK ANPASSUNG		1
522613501	522 61 35-01	HOSE ASSY		1
541204755	541 20 47-55	ADAPTER		1
541204768	541 20 47-68	ADAPTER		1
542206061	542 20 60-61	HOSE		1
542199359	542 19 93-59	HOSE		1
541204983	541 20 49-83	CLUTCH		1
542206064	542 20 60-64	HOSE		1
166448	166448	FILTER HEAD		1
539990071	539 99 00-71	HCS ¼-20 X ½ GR 5 ZD		2
539990052	539 99 00-52	WASHER		2
166449	166449	FILTER. SPIN-ON		1
505092701	505 09 27-01	BRACKET		1
541204911	541 20 49-11	HYDRAULIK ANPASSUNG		1
15700950	15700950	TBD		1
541204756	541 20 47-56	HYDRAULIK ANPASSUNG		1

W2 Lift Pump (Not Shown)

522746001 - Compl

Lift Pump Service Parts

- STR - 522849106 Strainer, Pump
- SV1 - 522849109 Valve, Cartridge
- " - 522849110 Coil - 12 VDC
- SS1 - 522849115 Starter Switch - 12 VDC
- FB1 - 522849119 Cap, Filler-Breather



HYDRAULIC SCHEMATIC

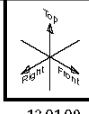
Lift Pump

FS6800 YAN T3, 2009-10

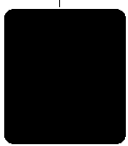
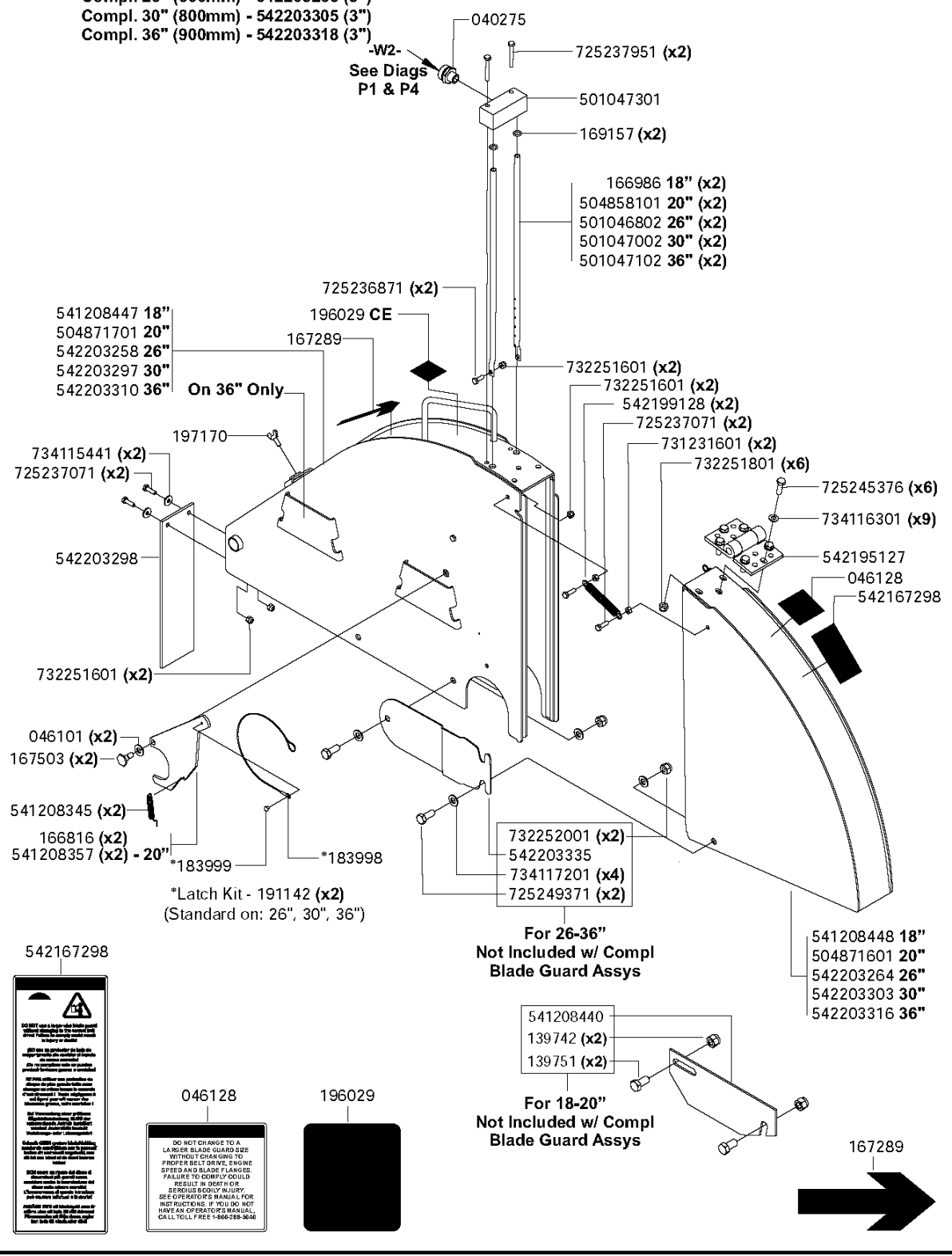
Part No	Description	Remark	QTY KIT
522 74 60-01	PUMP		1
522 84 91-06	PUMP		1
522 84 91-09	PUMP		1
522 84 91-10	COIL		1
522 84 91-15	SOLENOID		1
522 84 91-19	CAP		1

X1 Blade Guard Assy - Slip-On

- Compl. 18" (450mm) - 542198778 (3")
- Compl. 20" (500mm) - 504857701 (3")
- Compl. 26" (600mm) - 542203266 (3")
- Compl. 30" (800mm) - 542203305 (3")
- Compl. 36" (900mm) - 542203318 (3")



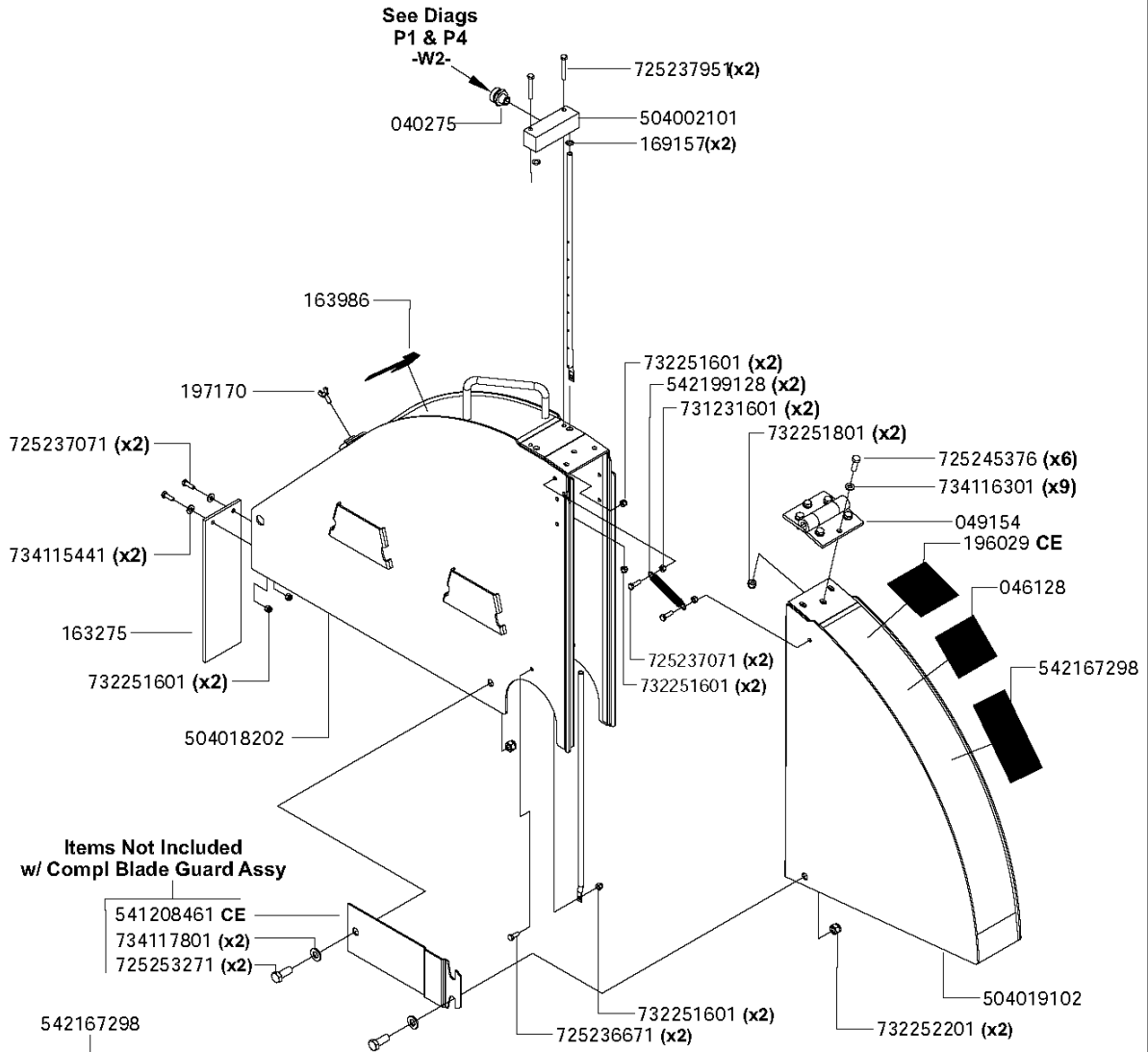
12.01.09



Ref	Part No	Description	Remark	QTY KIT
504857701	504 85 77-01	BLADE GUARD		1
542203266	542 20 32-66	BLADE GUARD		1
542203305	542 20 33-05	BLADE GUARD		1
542203318	542 20 33-18	BLADE GUARD		1
542198778	542 19 87-78	BLADE GUARD		1
040275	40275	FITTING. HOSE .375 x .75GHT		1
725237951	725 23 79-51	SCREW EHHM		2
501047301	501 04 73-01	MANIFOLD		1
501047102	501 04 71-02	TUBE		2
501047002	501 04 70-02	TUBE		2
169157	169157	TBD		2
501046802	501 04 68-02	TUBE		2
504858101	504 85 81-01	TUBE		2
166986	166986	WATER TUBE - 18"		2
183999	183999	DRIVE SCREW		1
183998	183998	LANYARD. NYLON COATED S. S.		1
191142	191142	DECAL		2
734116301	734 11 63-01	WASHER		9
732251601	732 25 16-01	HEXAGON LOCKING NUT		2
731231601	731 23 16-01	HEXAGON NUT		2
725245376	725 24 53-76	SCREW EHHM		6
725237071	725 23 70-71	SCREW EHHM		2
725236871	725 23 68-71	SCREW EHHM		2
725249371	725 24 93-71	SCREW EHHM		2
542203310	542 20 33-10	BLADE GUARD		1
542203297	542 20 32-97	BLADE GUARD		1
542203258	542 20 32-58	BLADE GUARD		1
504871701	504 87 17-01	BLADE GUARD		1
732251601	732 25 16-01	HEXAGON LOCKING NUT		2
542203298	542 20 32-98	GUARD		1
542199128	542 19 91-28	SPRING		2
541208345	541 20 83-45	SPRING		2
542203303	542 20 33-03	BLADE GUARD		1
542203316	542 20 33-16	BLADE GUARD		1
542203264	542 20 32-64	BLADE GUARD		1
504871601	504 87 16-01	BLADE GUARD		1
197170	197170	WINGBOLT: M6 X 16 DIN931		1
542195127	542 19 51-27	HINGE		1
167503	167503	BOLT		2
166816	166816	LATCH Z/P		2
734115441	734 11 54-41	WASHER		2
725237071	725 23 70-71	SCREW EHHM		2
732251601	732 25 16-01	HEXAGON LOCKING NUT		2
732251801	732 25 18-01	HEXAGON LOCKING NUT		6
167289	167289	DECAL		1
046128	46128	DECAL		1
542167298	542 16 72-98	DECAL		1
46128	46128	DECAL		1
542167298	542 16 72-98	DECAL		1
196029	196029	DECAL		1
734117201	734 11 72-01	WASHER		4
167289	167289	DECAL		1
139751	139751	HHCS. M12 x 1.75 x 25 DIN933ZP		2
541208440	541 20 84-40	PLATE		1
139742	139742	LOCKNUT. FIBER M12 DIN 985 Z/P		2
046101	46101	WASH.FIBER 10Dx.40625IDx.09375		2
196029	196029	DECAL		1
732252001	732 25 20-01	HEXAGON LOCKING NUT		2
542203335	542 20 33-35	COVER		1
541208357	541 20 83-57	LATCH		2
541208447	541 20 84-47	REAR BLD GRD WLDT-18" PC H-GRY		1
541208448	541 20 84-48	GUARD		1

X2 Blade Guard Assy - 42" Slip-On

504019401 42" (1000mm) Compl



Items Not Included w/ Compl Blade Guard Assy

- 541208461 CE
- 734117801 (x2)
- 725253271 (x2)

542167298

DO NOT use a larger size blade guard without changing to the correct belt drive. Failure to comply could result in injury or death!

NE PAS utiliser une protection de coupe de plus grande taille sans changer de entraînement à courroie d'entraînement! Tendre s'aggraver et peut entraîner la mort!

NE PAS utilizar una protección de corte de más grande talla sin cambiar de transmisión de correa de transmisión! Tendre agravarse y puede causar la muerte!

NE PAS utiliser une protection de coupe de plus grande taille sans changer de entraînement à courroie d'entraînement! Tendre s'aggraver et peut entraîner la mort!

NE PAS utilizar una protección de corte de más grande talla sin cambiar de transmisión de correa de transmisión! Tendre agravarse y puede causar la muerte!

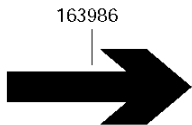
NE PAS utiliser une protection de coupe de plus grande taille sans changer de entraînement à courroie d'entraînement! Tendre s'aggraver et peut entraîner la mort!

NE PAS utilizar una protección de corte de más grande talla sin cambiar de transmisión de correa de transmisión! Tendre agravarse y puede causar la muerte!

046128

DO NOT CHANGE TO A LARGER BLADE GUARD SIZE WITHOUT CHANGING TO PROPER BELT DRIVE, ENGINE SPEED AND BLADE FLANGES. FAILURE TO COMPLY COULD RESULT IN DEATH OR SERIOUS BODILY INJURY. SEE OPERATOR'S MANUAL FOR INSTRUCTIONS. IF YOU DO NOT HAVE AN OPERATOR'S MANUAL, CALL TOLL FREE 1-800-288-5040

196029 CE

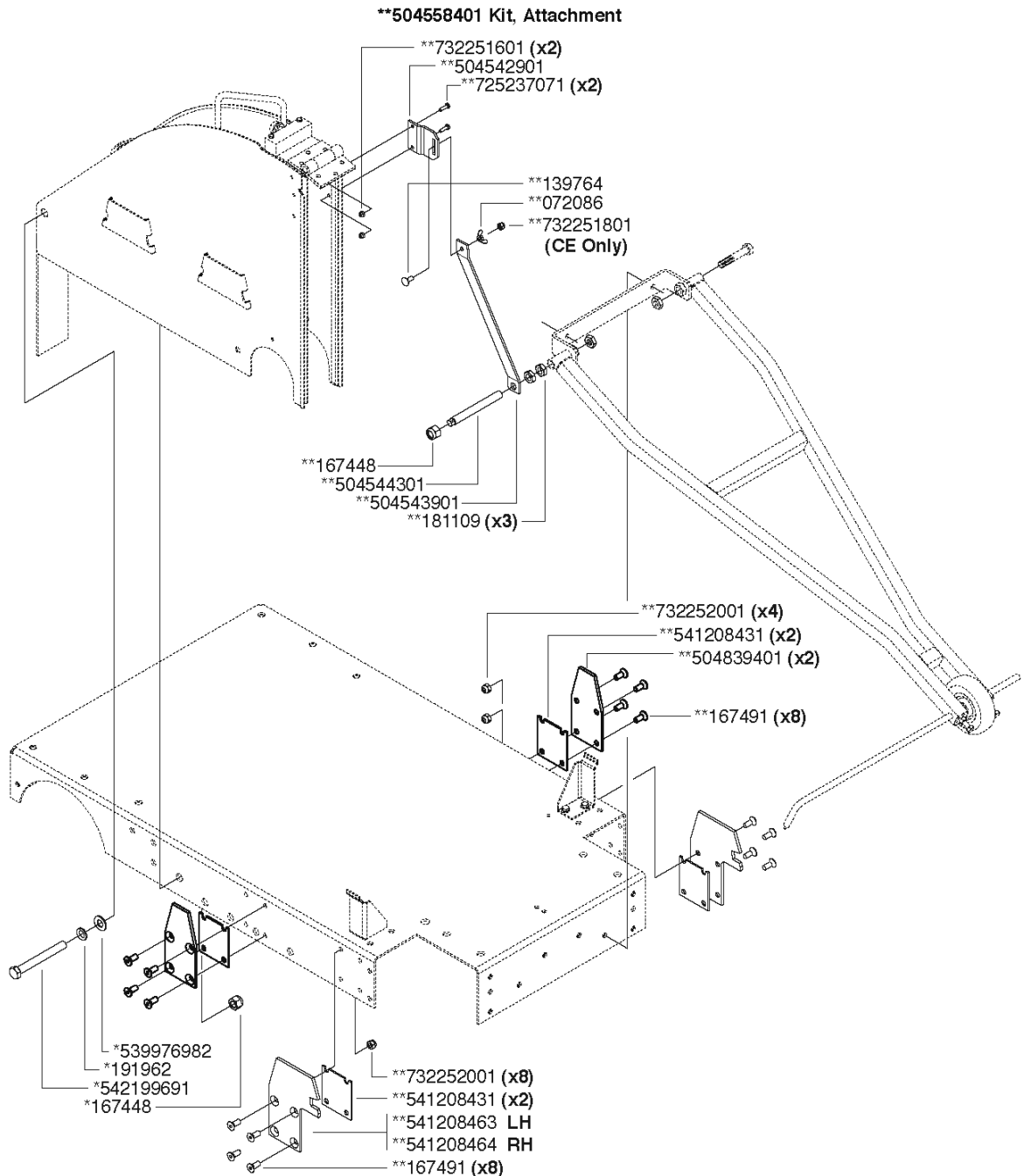


Ref	Part No	Description	Remark	QTY KIT
504019401	504 01 94-01	BLADE GUARD		1
542167298	542 16 72-98	DECAL		1
504019102	504 01 91-02	BLADE GUARD		1
732252201	732 25 22-01	HEXAGON LOCKING NUT		2
732251601	732 25 16-01	HEXAGON LOCKING NUT		2
725236671	725 23 66-71	SCREW EHHM		2
163275	163275	GUARD. SPLASH 12"		1
732251601	732 25 16-01	HEXAGON LOCKING NUT		2
734115441	734 11 54-41	WASHER		2
197170	197170	WINGBOLT: M6 X 16 DIN931		1
504018202	504 01 82-02	BLADE GUARD		1
725237071	725 23 70-71	SCREW EHHM		2
504002101	504 00 21-01	MANIFOLD		1
169157	169157	TBD		1
040275	40275	FITTING. HOSE .375 x .75GHT		1
725237951	725 23 79-51	SCREW EHHM		1
732251601	732 25 16-01	HEXAGON LOCKING NUT		2
732251601	732 25 16-01	HEXAGON LOCKING NUT		2
725237071	725 23 70-71	SCREW EHHM		2
542199128	542 19 91-28	SPRING		2
732251801	732 25 18-01	HEXAGON LOCKING NUT		2
731231601	731 23 16-01	HEXAGON NUT		2
725245376	725 24 53-76	SCREW EHHM		6
542167298	542 16 72-98	DECAL		1
046128	46128	DECAL		1
049154	49154	HINGE 4" WIDTH Z/P		1
163986	163986	DECAL		1
196029	196029	DECAL		1
163986	163986	DECAL		1
734116301	734 11 63-01	WASHER		9
46128	46128	DECAL		1
196029	196029	DECAL		1
541208461	541 20 84-61	PLATE		1
734117801	734 11 78-01	WASHER		2
725253271	725 25 32-71	SCREW EHHM		2

X3 Blade Guard Attachment - 42" (1000mm)



*504558301 Kit, 42" Blade Guard - Compl
Includes 504019401, **504558401 &
Flange Cover w/ Hardware - See Diag X2

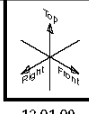


Ref	Part No	Description	Remark	QTY KIT
167448	167448	LOCKNUT. FIBER M16 x 2.0		1
504544301	504 54 43-01	ROD		1
504543901	504 54 39-01	BRACKET		1
181109	181109	NUT		3
732251601	732 25 16-01	HEXAGON LOCKING NUT		2
139764	139764	WASHER GLM		1
725237071	725 23 70-71	SCREW EHHM		2
504542901	504 54 29-01	BLADE GUARD		1
072086	542 07 20-86	WING NUT		1
167448	167448	LOCKNUT. FIBER M16 x 2.0		1
539976982	539 97 69-82	WASHER		1
191962	191962	WASHER		1
542199691	542 19 96-91	SCREW		1
541208431	541 20 84-31	SPACER		2
504839401	504 83 94-01	SPADE		2
167491	167491	SHCS. CSK M10 x 1.5 x 25mm		8
541208431	541 20 84-31	SPACER		2
541208463	541 20 84-63	PLATE		1
541208464	541 20 84-64	BRACKET		1
167491	167491	SHCS. CSK M10 x 1.5 x 25mm		8
732252001	732 25 20-01	HEXAGON LOCKING NUT		8
732252001	732 25 20-01	HEXAGON LOCKING NUT		4
732251801	732 25 18-01	HEXAGON LOCKING NUT		1
504558301	504 55 83-01	BLADE GUARD		1
504019401	504 01 94-01	BLADE GUARD		1
504558401	504 55 84-01	BLADE GUARD		1
504558401	504 55 84-01	BLADE GUARD		1

Y Water Pump Kit

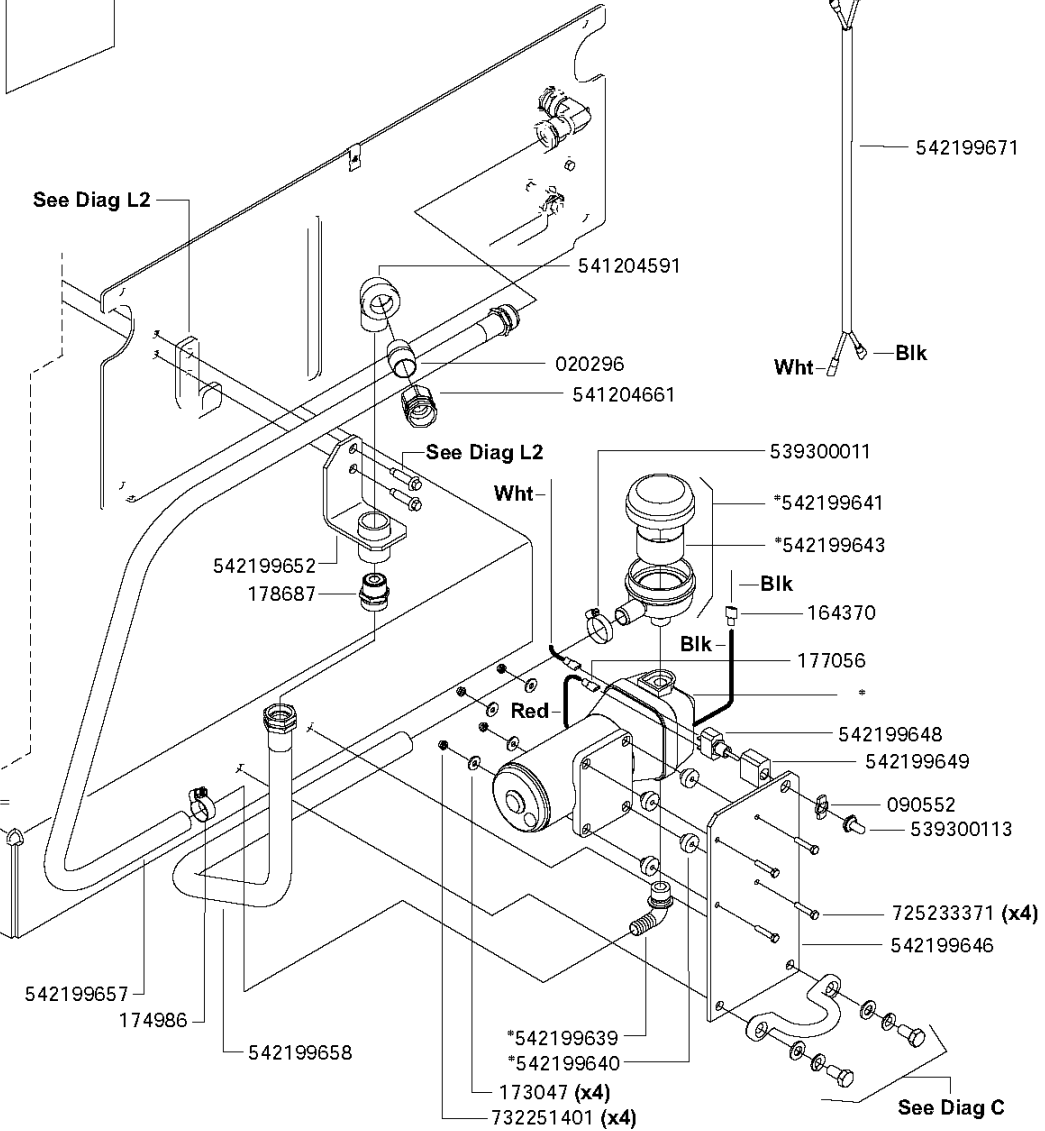
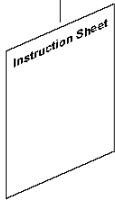
542199626 - Kit, Compl

*542199637 Compl



12.01.09

542201048



Water Pump Kit

FS6800 YAN T3, 2009-10

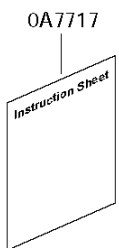
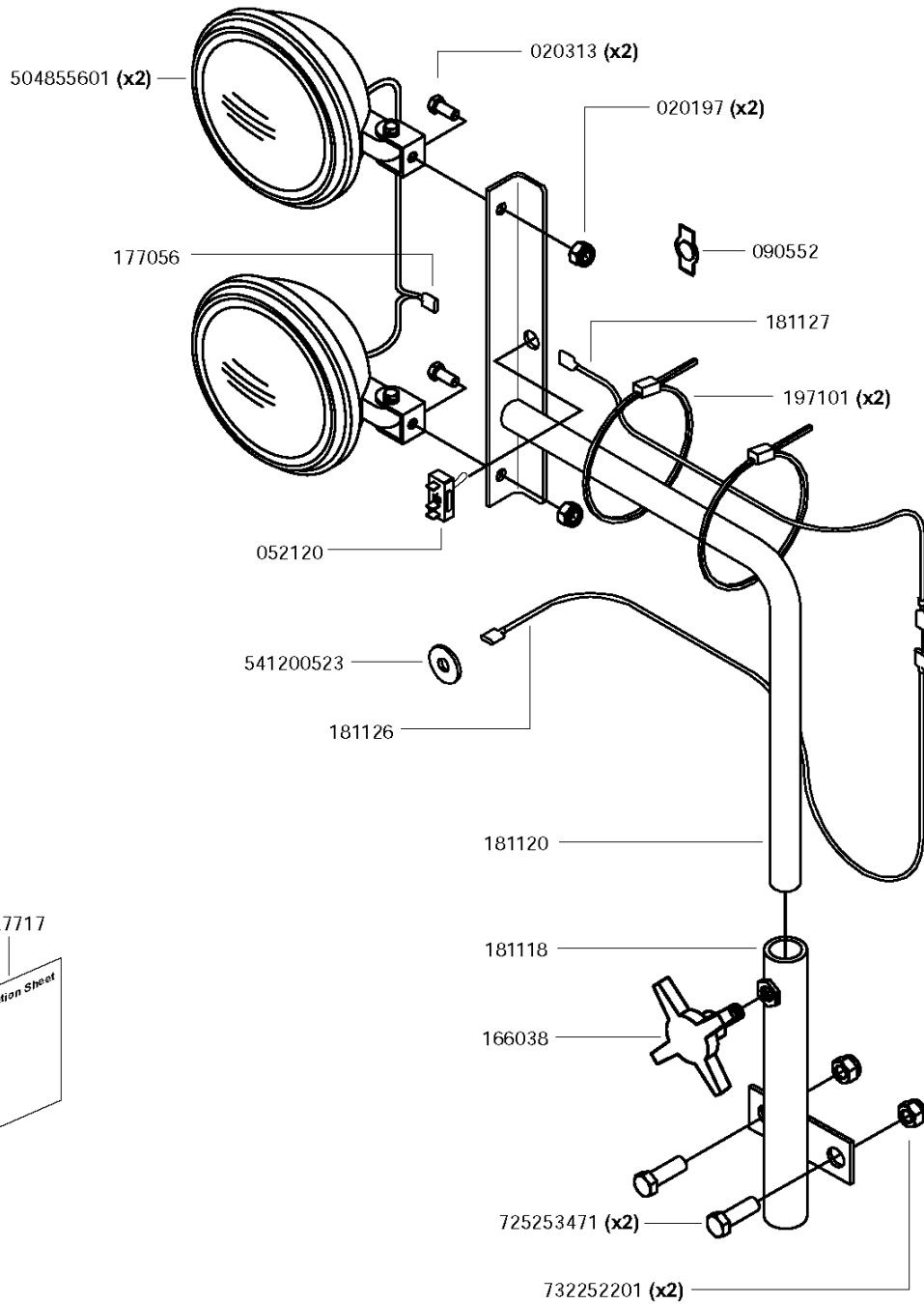
Ref	Part No	Description	Remark	QTY KIT
542199637	542 19 96-37	WATER PUMP		1
542199626	542 19 96-26	WATER PUMP KIT		1
542201048	542 20 10-48	PUMP		1
178687	178687	FITTING. 3/4 MGH x 3/4 MPT		1
542199652	542 19 96-52	HOLDER		1
542199657	542 19 96-57	HOSE		1
174986	542 17 49-86	SCHLAUCHKLEMME SAE12		1
542199658	542 19 96-58	HOSE		1
542199639	542 19 96-39	FITTING		1
542199640	542 19 96-40	PUMP		1
173047	173047	WASHER		4
732251401	732 25 14-01	HEXAGON LOCKING NUT		4
725233371	725 23 33-71	SCREW EHHM		4
542199646	542 19 96-46	PLATE		1
090552	542 09 05-52	PLATE		1
539300113	539 30 01-13	RUBBER SHOE		1
542199648	542 19 96-48	SWITCH		1
542199649	542 19 96-49	SWITCH		1
164370	542 16 43-70	CABLE SHOE		1
177056	177056	TERMINAL. WIRE 1/4"(16-14GA)		1
542199643	542 19 96-43	STRAINER SCREEN. W/P INLET FILTER		1
542199641	542 19 96-41	FILTER		1
539300011	539 30 00-11	HOSE CLAMP		1
541204591	541 20 45-91	PIPE		1
020296	542 02 02-96	TUBE		1
541204661	541 20 46-61	CONNECTION		1
542199671	542 19 96-71	CABLE		1
166855	166855	FUSE		1

Z Dual Light Kit

181117 - Kit, Compl



166855 —  See Main Wiring Diagram in Operator's Manual



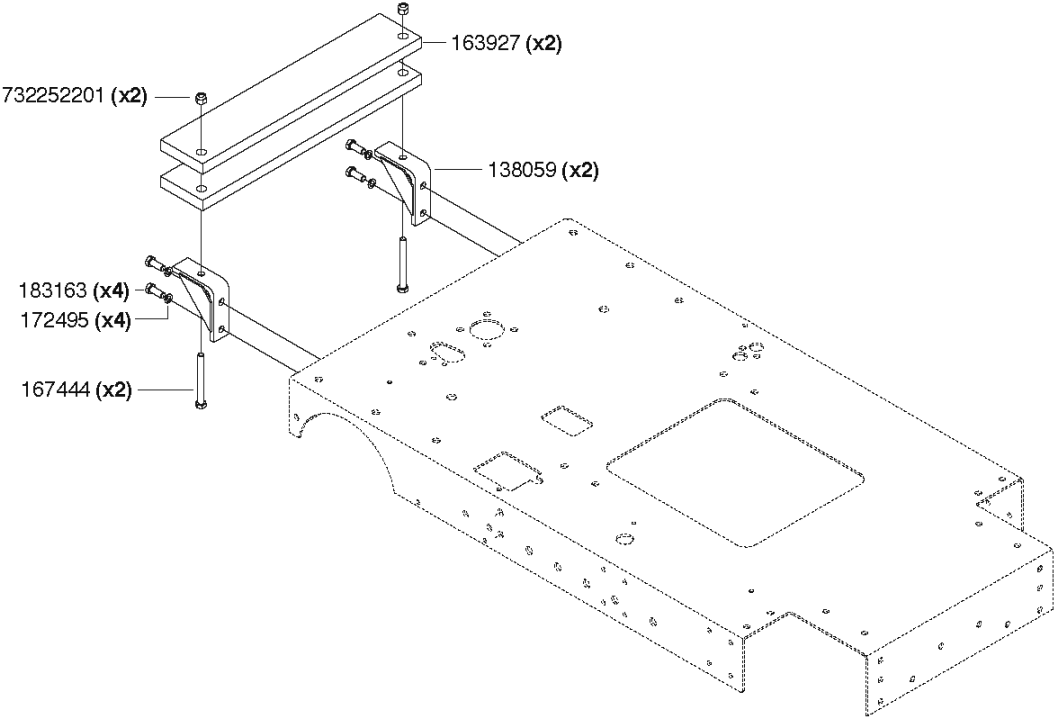
Dual Light Kit

FS6800 YAN T3, 2009-10

Ref	Part No	Description	Remark	QTY KIT
181117	542 18 11-17	LIGHTING KIT		1
0A7717	5420A7717	INST SHT: DUAL WORK LIGHT KIT		1
166855	166855	FUSE		1
504855601	504 85 56-01	LAMP		2
177056	177056	TERMINAL. WIRE 1/4"(16-14GA)		1
052120	542 05 21-20	SWITCH FOR LIGHT ASSY./FS902T		1
541200523	541 20 05-23	GROMMET		1
181126	542 18 11-26	CABLE		1
020313	542 02 03-13	SCREW		2
020197	20197	LOCKNUT. FIBER .3125-18 Z/P		2
090552	542 09 05-52	PLATE		1
181127	542 18 11-27	CABLE		1
197101	197101	CABLE TIE. PLASTIC 8 IN X .094		2
181120	542 18 11-20	RAIL		1
181118	542 18 11-18	PIPE		1
166038	166038	SCREW		1
725253471	725 25 34-71	SCREW EHHM		2
732252201	732 25 22-01	HEXAGON LOCKING NUT		2

AA Weight Kit- 42"(1000mm)

542196172 - Compl 42"(1000mm) (2 Bars)



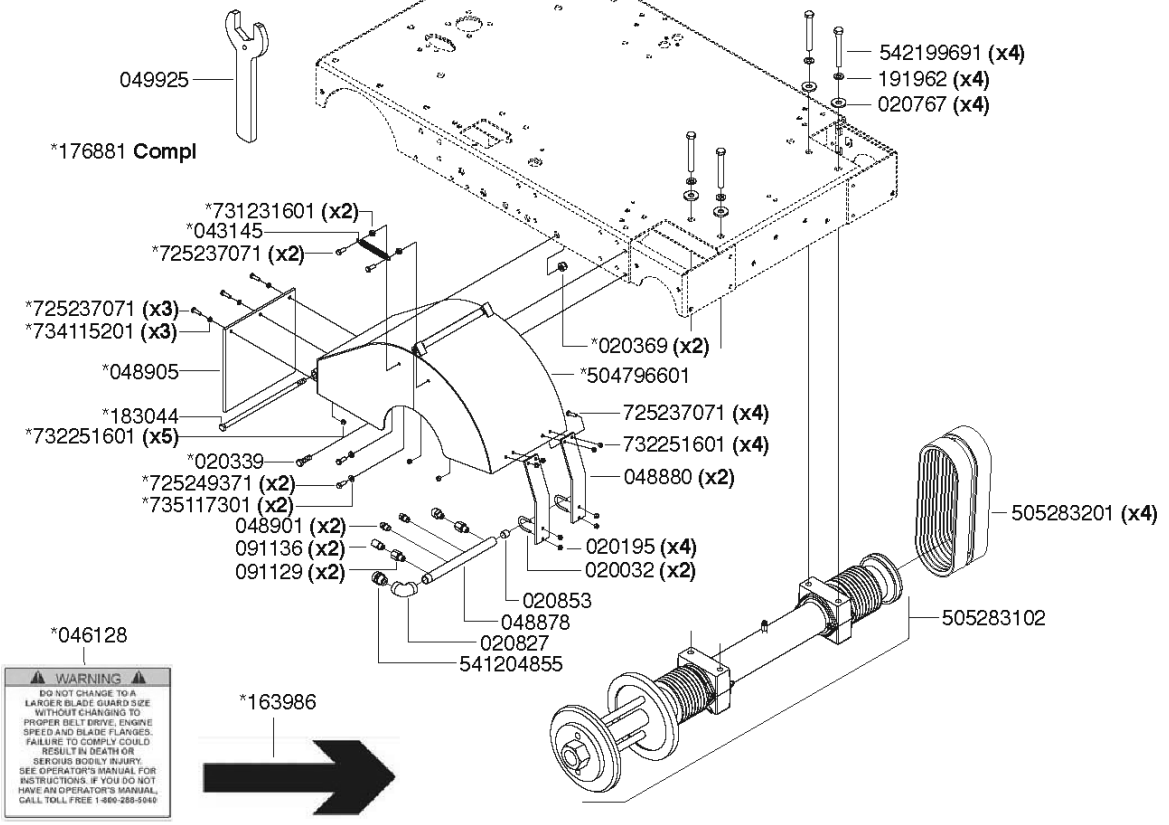
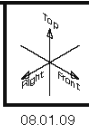
Weight Kit- 42"

FS6800 YAN T3, 2009-10

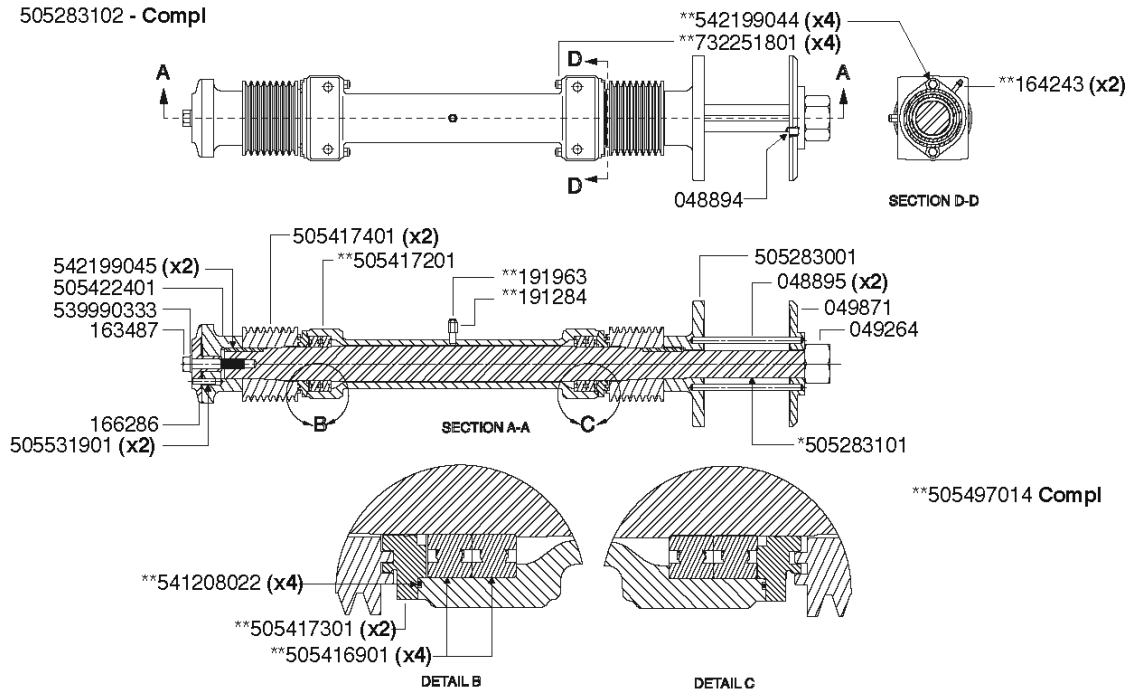
Part No	Description	Remark	QTY KIT
138059	GEAR		2
163927	WEIGHT - BLACK		2
167444	HHCS. M12 x 1.75 x 75 DIN931ZP		2
172495	LOCKWASHER. SPLIT M12 DIN 127		4
183163	HHCS: M12 X 1.75 X 35 DIN931		4
542 19 61-72	WEIGHT KIT		1
732 25 22-01	HEXAGON LOCKING NUT		2

AB Side Cut Plunge Kit - 18/20"

516026601 - Compl



505283102 - Compl



Ref	Part No	Description	Remark	QTY KIT
516026601	516 02 66-01	KIT		1
542199691	542 19 96-91	SCREW		4
191962	191962	WASHER		4
020767	20767	WASHER		4
505283201	505 28 32-01	V-BELT		4
505283102	505 28 31-02	BLADE SHAFT		1
048880	542 04 88-80	SUPPORT. MANIFOLD		2
020195	20195	LOCKNUT. FIBER .25-20 Z/P		4
020032	542 02 00-32	U-BOLT. .25-20		2
020853	542 02 08-53	PIPE FIT. SH PLUG. 3/8 NPT		1
048878	542 04 88-78	MANIFOLD. WATER		1
020827	542 02 08-27	FITTING		1
541204855	541 20 48-55	FITTING		1
046128	46128	DECAL		1
163986	163986	DECAL		1
048905	542 04 89-05	FLAP		1
183044	542 18 30-44	HHCS. .5-13 X 11.5		1
048901	542 04 89-01	NOZZLE		2
091136	542 09 11-36	NOZZLE		2
091129	542 09 11-29	PIPE ADPT.1/4" NPT		2
725249371	725 24 93-71	SCREW EHHM		2
735117301	735 11 73-01	SPRING WASHER		2
725237071	725 23 70-71	SCREW EHHM		3
734115201	734 11 52-01	WASHER		3
725237071	725 23 70-71	SCREW EHHM		2
731231601	731 23 16-01	HEXAGON NUT		2
043145	542 04 31-45	FS902T SPRING/		1
049925	542 04 99-25	WRENCH. BLDS		1
725237071	725 23 70-71	SCREW EHHM		4
732251601	732 25 16-01	HEXAGON LOCKING NUT		4
504796601	504 79 66-01	BLADE GUARD		1
505283102	505 28 31-02	BLADE SHAFT		1
542199045	542 19 90-45	KEY		2
505417401	505 41 74-01	PULLEY		2
542199044	542 19 90-44	BOLT		4
732251801	732 25 18-01	HEXAGON LOCKING NUT		4
164243	164243	ETL RALLY REOX582TF/98		2
048895	542 04 88-95	PIN		2
049871	542 04 98-71	FLANGE		1
049264	542 04 92-64	NUT		1
191963	191963	VENT PLUG 1/8 NPT		1
191284	191284	PIPE FITTING..12NPTF EXTENSION		1
505283001	505 28 30-01	FLANGE		1
505497014	505 49 70-14	BILL OF MATERIAL		1
505283101	505 28 31-01	BLADE SHAFT		1
505416901	505 41 69-01	BALL BEARING		4
505417301	505 41 73-01	FLANGE		2
541208022	541 20 80-22	O-RING		4
166286	166286	FLANGE		1
163487	163487	HHCS. .625-11x3.5 RH THD GR BD		1
505531901	505 53 19-01	PIN		2
505422401	505 42 24-01	FLANGE		1
539990333	539 99 03-33	WASHER		1
020339	542 02 03-39	FS900T SCREW/		1
020369	20369	TBD		2
732251601	732 25 16-01	HEXAGON LOCKING NUT		5
176881	542 17 68-81	BLADE GUARD		1
048894	542 04 88-94	KEY		1
505417201	505 41 72-01	HOUSING		1