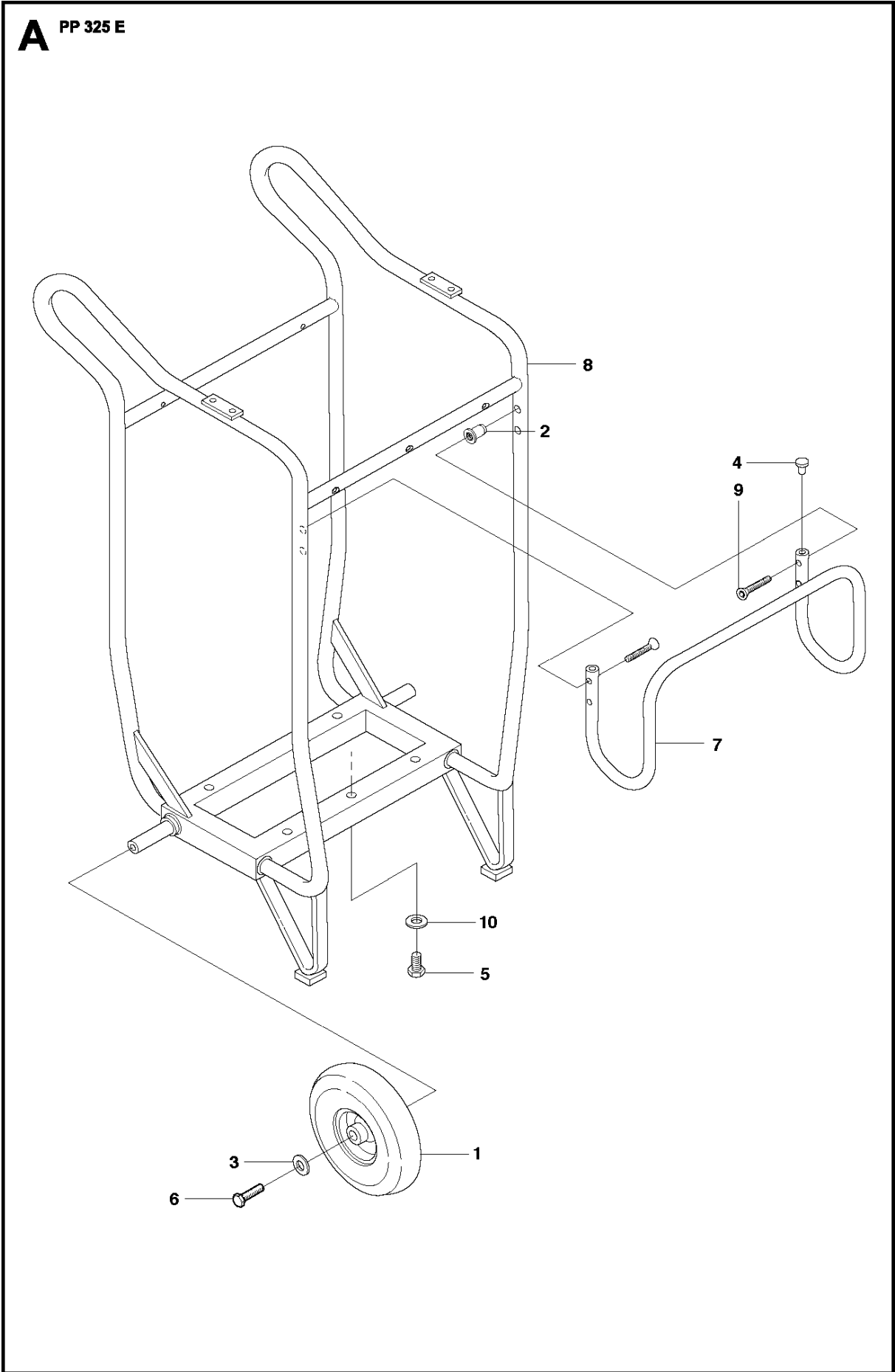




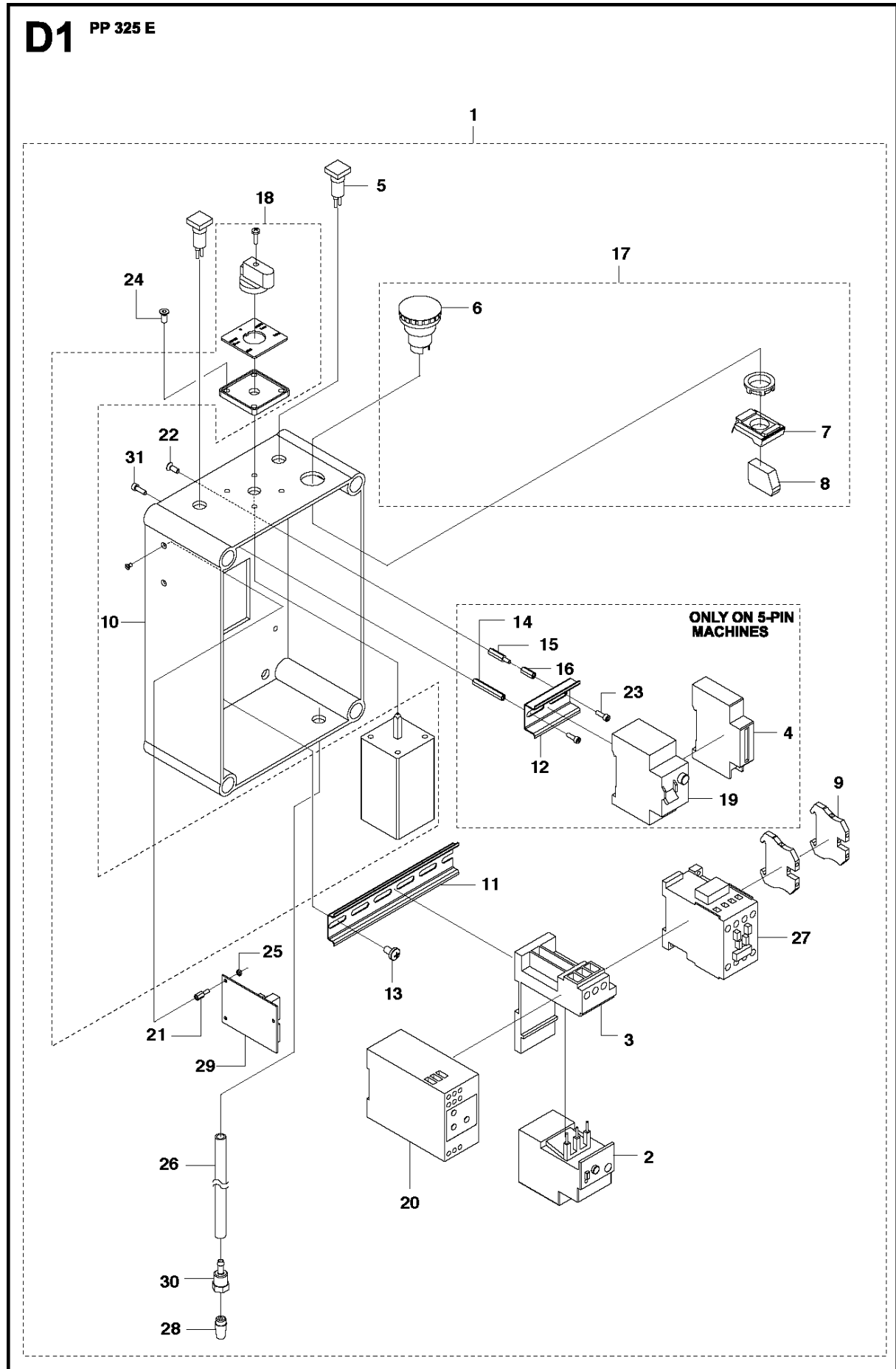
# SPARE PARTS LIST

POWER PACKS

PP 325 E, 2008-10



Ref	Part No	Description	Remark	QTY KIT
1	531 11 90-07	WHEEL		2
2	531 11 90-16	POP-NUT		4
3	531 11 90-31	WASHER		2
4	531 11 91-53	RUBBER PLUG		2
5	531 11 91-97	SCREW		5
6	531 11 92-02	SCREW		2
7	531 14 11-33	HOSE HOLDER		1
8	531 14 11-37	CARRIAGE		1
9	725 63 78-51	SCREW IHCSFM		4
10	531 11 91-81	WASHER		5

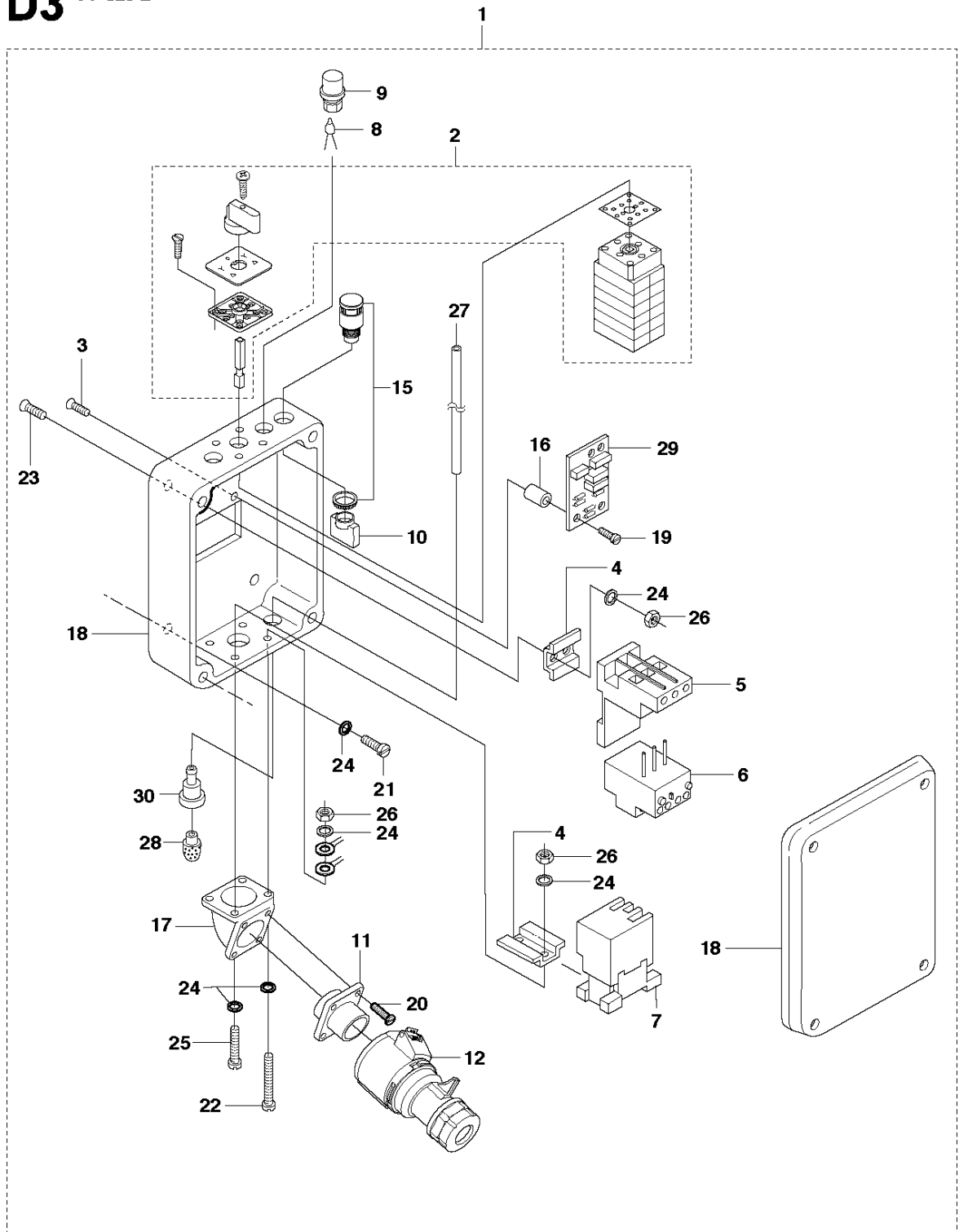


## ELECTRIC BOX

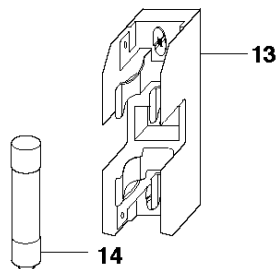
PP 325 E, 2008-10

Ref	Part No	Description	Remark	QTY	KIT
1	505 40 06-01	ELECTRIC BOX	400 V, 5-pin	1	
1	505 40 06-02	ELECTRIC BOX	400 V, 4-pin	1	
1	505 40 06-04	ELECTRIC BOX	480 V, 4-pin	1	
2	504 69 48-02	ENGINE PROTECTION		1	
3	504 69 51-02	ATTACHING BASE		1	
4	505 40 09-01	HOUR METER	Only 5-pin machines	1	
5	505 46 10-01	LAMP		2	
6	505 46 11-01	SWITCH		1	17
7	505 46 12-01	ADAPTER		1	17
8	505 46 13-01	CONTACT		1	17
9	505 46 14-01	CONNECTION PLATE		2	
10	505 46 15-01	BOX		1	
11	505 46 16-01	BAR		1	
12	505 46 17-01	BAR		1	
13	505 46 18-01	SCREW		2	
14	505 46 19-01	NUT	Only 5-pin machines	1	
15	505 46 20-01	NUT	Only 5-pin machines	1	
16	505 46 21-01	NUT	Only 5-pin machines	1	
17	505 52 03-01	SWITCH		1	
18	510 24 98-01	SWITCH		1	
19	531 11 72-08	PERSONAL SAFETY GUARD	Only 5-pin machines	1	
20	531 11 72-16	SOFTSTART/PP 325		1	
20	531 11 73-42	SOFTSTART 480V		1	
21	531 11 93-85	SPACER MAINBOARD		2	
22	723 53 29-01	SCREW SLCSFM		1	
23	725 53 23-01	SCREW IHSCM	Only 5-pin machines	2	
24	725 62 89-01	SCREW IHCSFM		4	
25	731 23 10-01	HEXAGON NUT		2	
26	531 11 90-08	VENTILATION HOSE 4X7		1	
27	531 11 72-35	CONTACT		1	
28	531 11 90-30	AIR FILTER		1	
29	531 14 10-99	PHASE SEQUENCE INDICATO		1	
30	531 14 11-68	VENTILATION NIPPLE		1	
31	723 52 22-01	SCREW SLCSFM		2	

**D3** PP 325 E

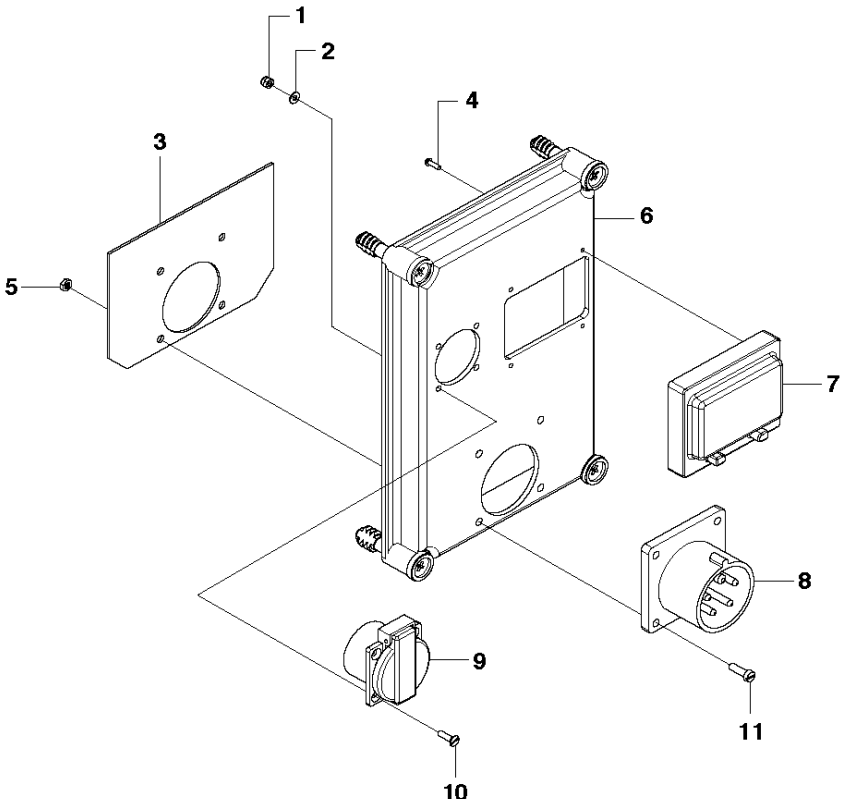


**ONLY 600V US/CAN**

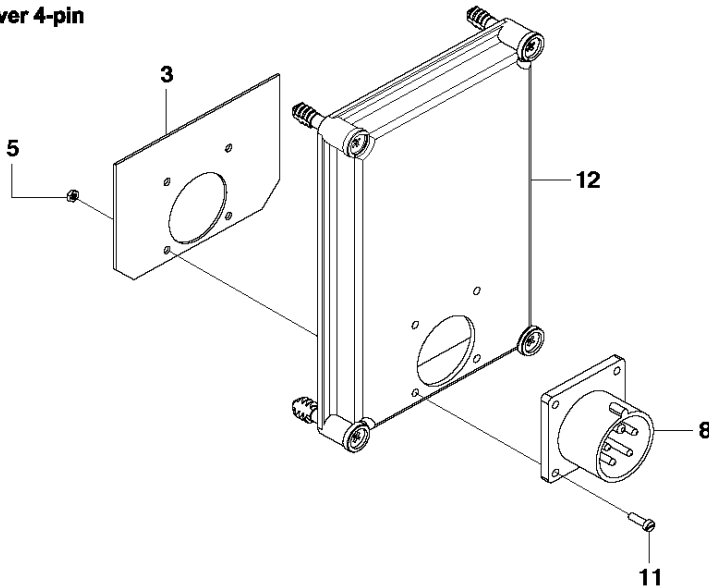


Ref	Part No	Description	Remark	QTY KIT
1	531 11 50-66	/PP325E	230/400 V, NOR	1
1	531 11 51-74	ELECTRIC BOX	200 V, JAP	1
1	531 11 51-11	ELECTRIC BOX	600 V,US/CAN	1
2	531 11 70-08	SWITCH	400Ð600 V	1
2	531 11 71-38	SWITCH PP 345 E 400V	200Ð230 V	1
3	723 52 22-01	SCREW SLCSFM		3
4	531 11 70-36	DIN CONNECTOR WITH HOLE		1
5	531 11 70-73	ASSEMBLY SOCKET 193 EAÀ		1
5	504 69 51-02	ATTACHING BASE	230/400 V, NOR	1
6	531 11 70-74	RELAY		1
6	504 69 48-02	ENGINE PROTECTION	230/400 V, NOR	1
7	531 11 71-84	CONTACTOR	200 V	1
7	531 11 70-68	CONTACTOR	230/400 V	1
7	531 11 70-23	CONTACTOR	230 V	1
7	531 11 72-35	CONTACT	400-440 V	1
7	531 11 72-34	CONTACTOR	600 V	1
8	531 11 71-86	INDICATOR		2
9	531 11 71-87	LENS CLEAR		2
10	531 11 72-05	CIRCUIT BREAKER		1
11	531 11 72-36	ELECTRIC INLET 575V/20A CAN	600 V	1
11	531 11 71-48	MAINS INLET 16A 400V	400Ð440 V	1
11	531 11 71-50	MAINS INLET 32A 230V (N	200Ð230 V	1
12	531 11 72-37	EXTENSION SOCKET	600 V	1
12	531 11 71-99	EXTENSION SOCKET 220V 32 PP325	400Ð440 V	1
12	531 11 70-10	EXTENSION SOCKET 220V,	200Ð230 V	1
13	531 11 72-38	FUSE HOLDER		2
14	531 11 72-39	POTENTIONMETER		2
15	531 11 73-68	EMERGENCY BUTTON		1
16	531 11 90-18	SPACER M3050X15		3
17	531 14 11-71	ELECTRIC INLET BRACKET		1
18	531 14 12-00	ELECTRIC BOX		1
19	723 12 20-01	SCREW SLCHM		3
20	723 12 93-01	SCREW SLCHM		4
21	723 13 25-01	SCREW SLCHM		4
22	723 13 31-01	SCREW SLCHM		1
23	723 53 25-01	SCREW SLCSFM		2
24	734 11 46-01	WASHER		14
25	723 13 29-01	SCREW SLCHM		3
26	731 23 14-01	HEXAGON NUT		6
27	531 11 90-08	VENTILATION HOSE 4X7		1
28	531 11 90-30	AIR FILTER		1
29	531 14 10-99	PHASE SEQUENCE INDICATO		1
30	531 14 11-68	VENTILATION NIPPLE		1

**D2** PP 325 E  
Electric box cover 5-pin



**Electric box cover 4-pin**

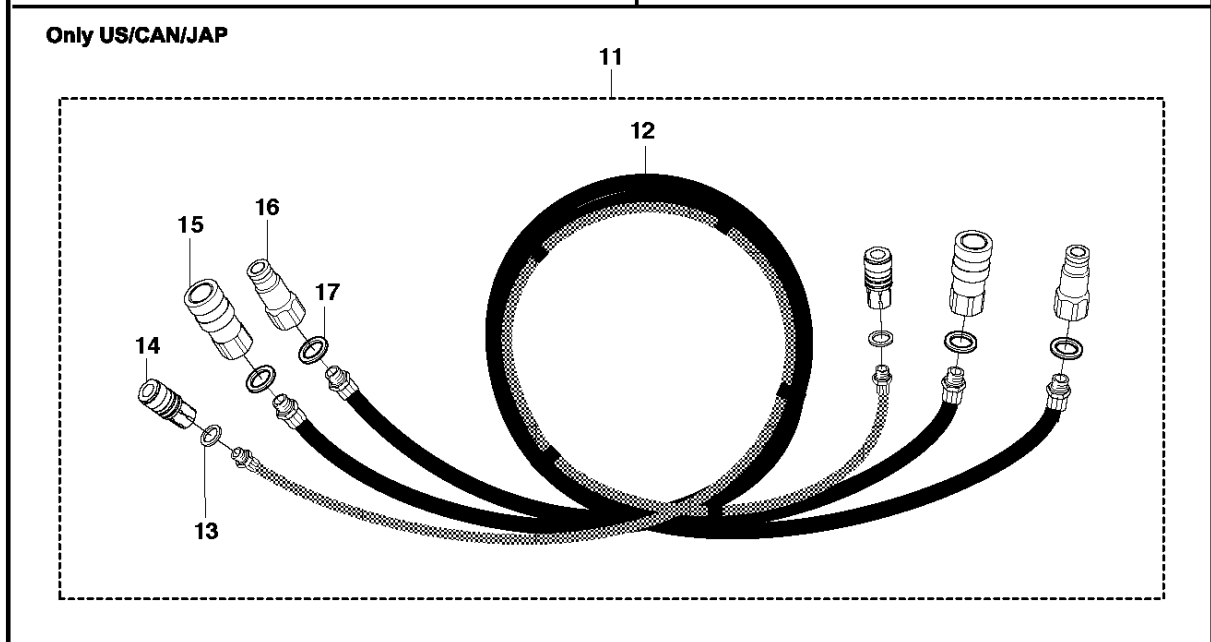
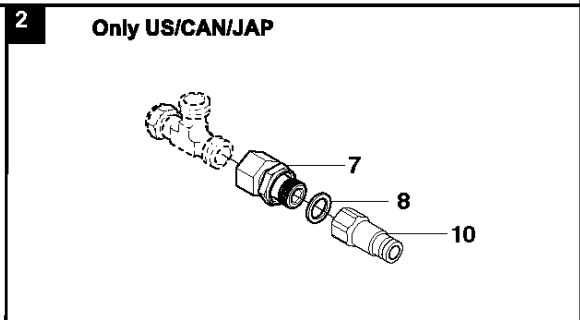
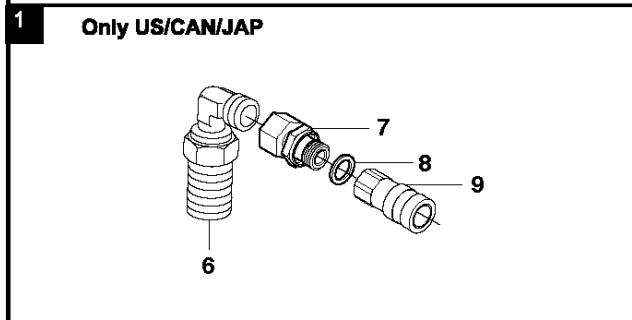
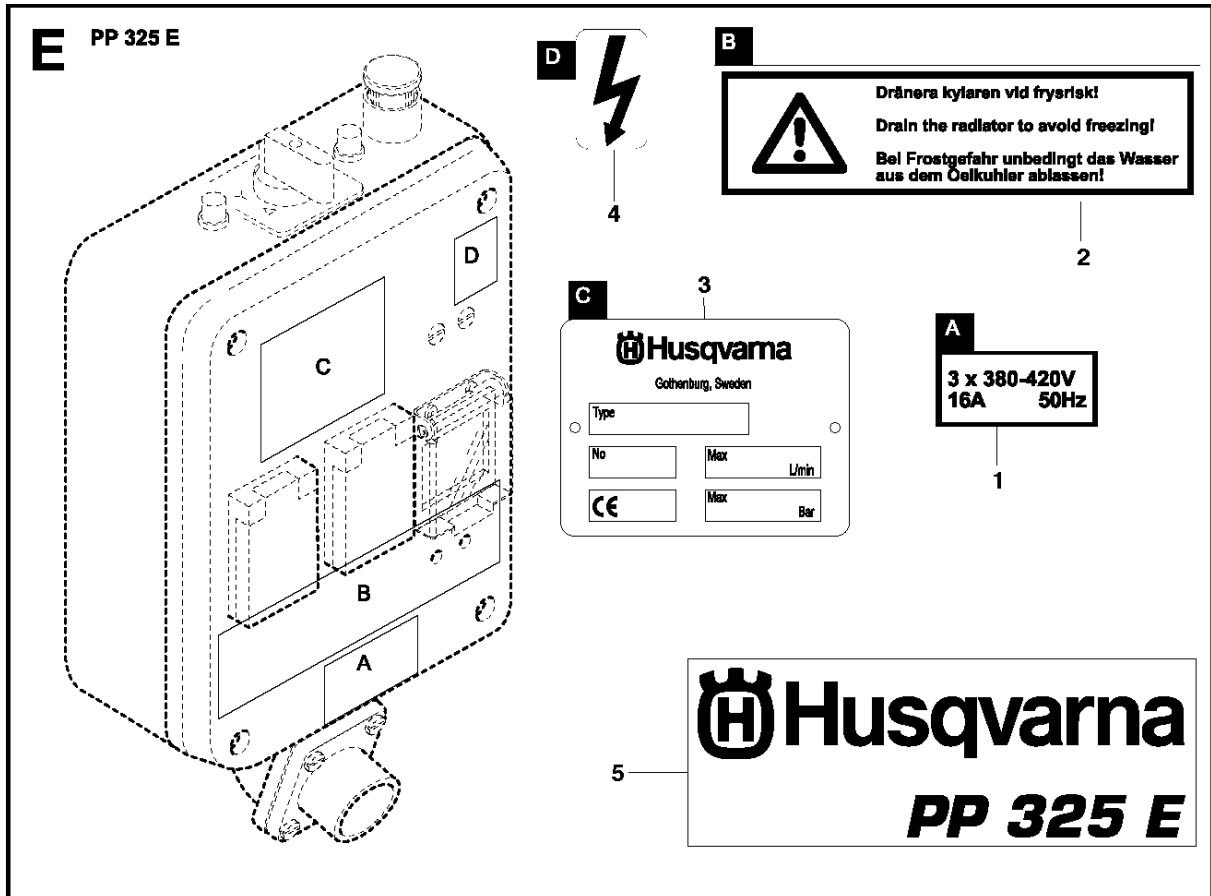




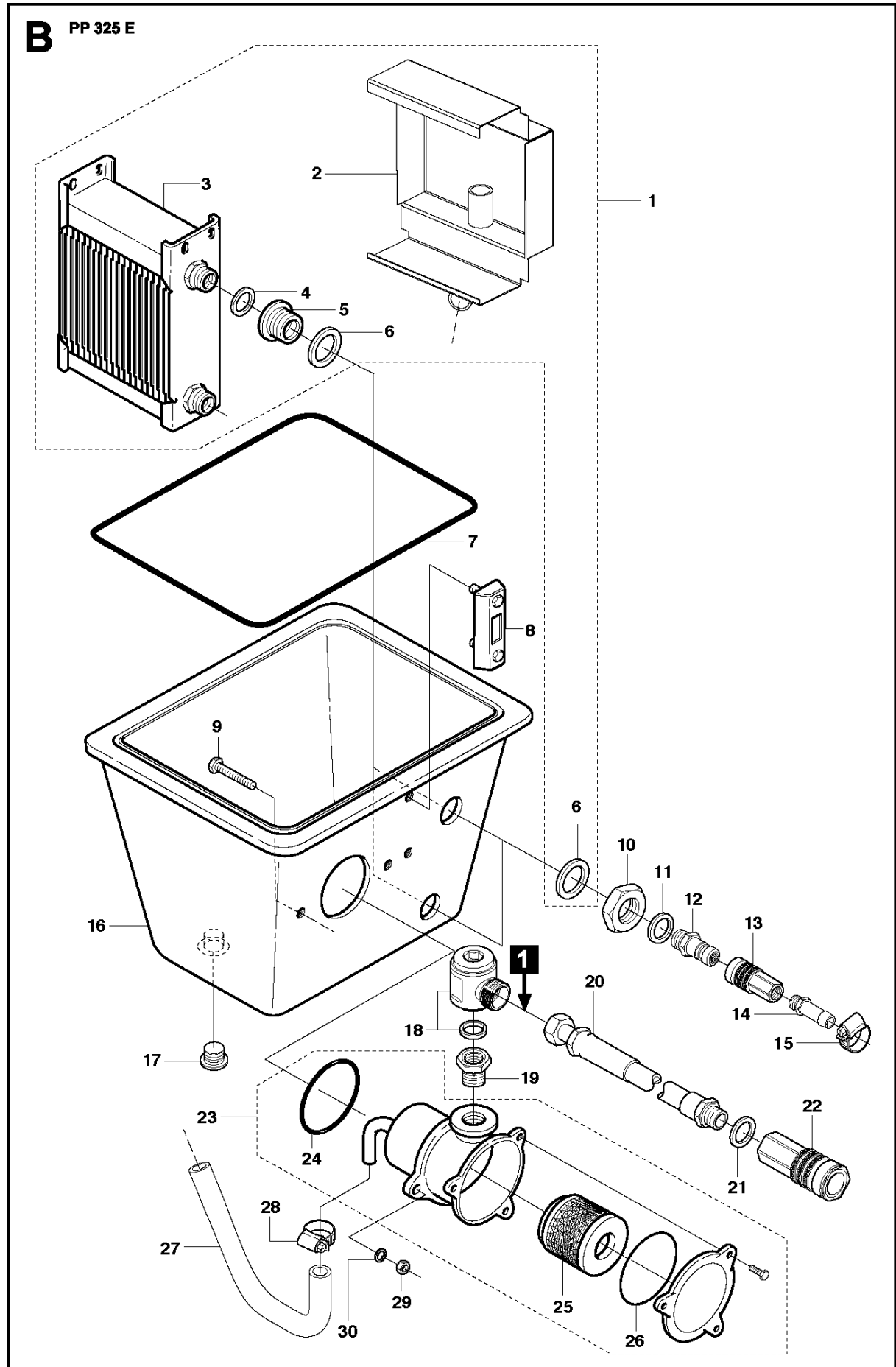
ELECTRIC BOX

PP 325 E, 2008-10

Ref	Part No	Description	Remark	QTY KIT
1	731 23 12-01	HEXAGON NUT		4
2	734 11 35-71	WASHER		4
3	505 46 23-01	REINFORCEMENT PLATE		1
4	723 12 24-01	SCREW SLCHM		4
5	731 23 14-01	HEXAGON NUT		4
6	505 46 24-01	LID		1
7	505 46 22-01	COVER		1
8	505 46 32-01	CONTACT		1
9	531 11 71-55	SOCKET 230V SINGLE		1
10	723 52 92-01	SCREW SLCSFM		4
11	723 13 29-01	SCREW SLCHM		4
12	505 46 24-02	LID		1



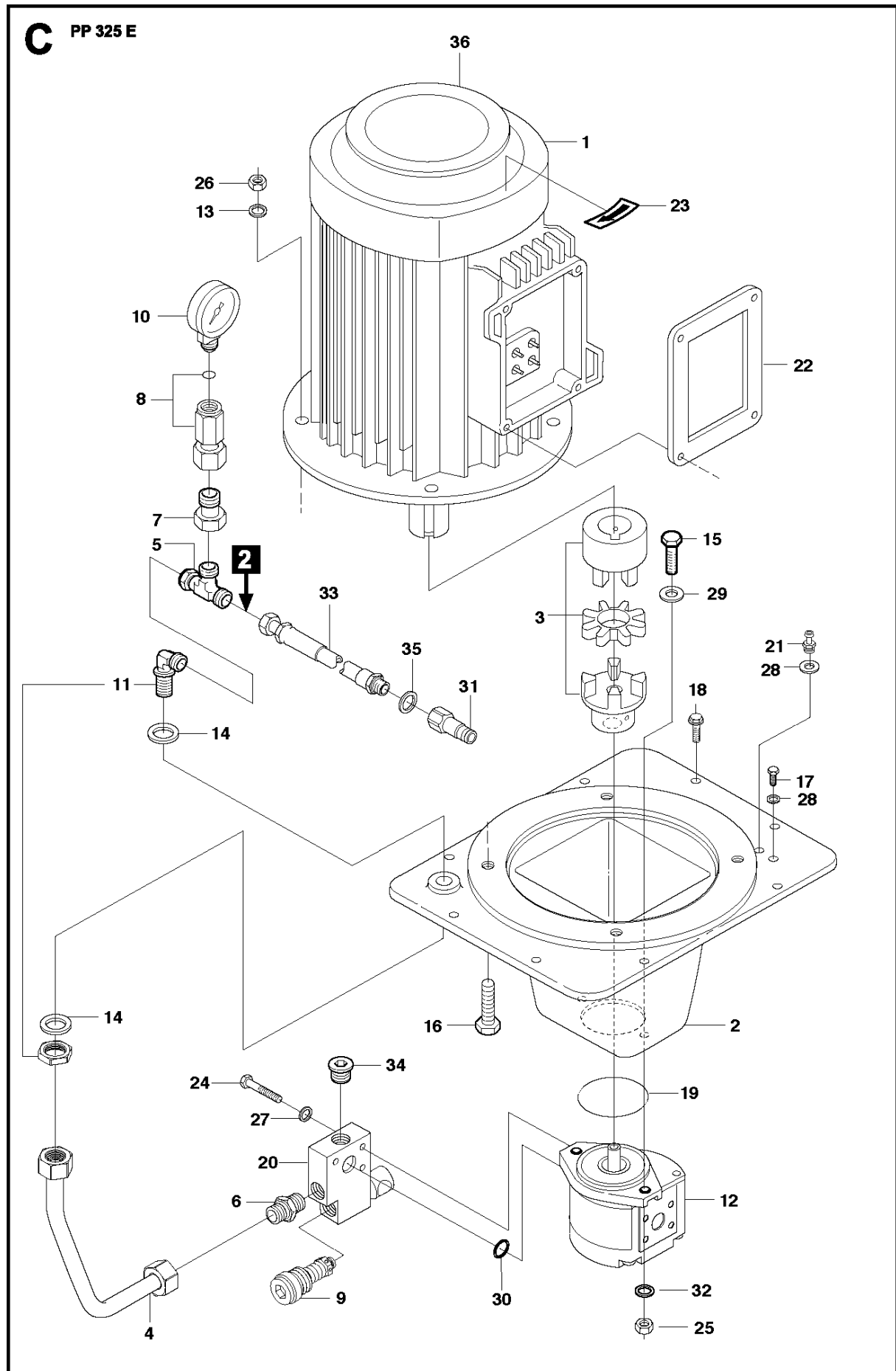
Ref	Part No	Description	Remark	QTY KIT	
1	531 14 11-85	ELECTRIC PLATE 53X25 MM	STD	1	
1	531 14 11-86	ELECTRIC PLATE 53X25 MM	N	1	
1	531 14 12-20	TBD	JAP, 50 Hz	1	
1	531 14 12-21	TBD	JAP, 60 Hz	1	
2	531 14 12-11	/PP325E		1	
3	504 00 39-01	TYPE PLATE		1	
4	531 14 12-05	LABEL FLASH 24X40 MM		1	
5	504 02 99-04	LABEL		1	
6	531 11 80-30	SWIVEL DVWE 15R	Only US/CAN/JAP	1	
7	531 11 80-34	CLUTCH	Only US/CAN/JAP	1	
8	531 11 91-85	SEALING RING	Only US/CAN/JAP	1	
9	531 11 80-49	QUICK COUPLING	Only US/CAN/JAP	1	
10	531 11 80-50	QUICK COUPLING	Only US/CAN/JAP	1	
11	531 11 51-70	Hose set PP 325 E with coupl.	Only US/CAN/JAP	1	
12	531 11 82-72	Hose set without couplings		1	11
13	740 38 34-01	SEALING WASHER		2	11
14	531 11 80-03	HYDRAULIC COUPLING FEMA		2	11
15	531 11 80-49	QUICK COUPLING		2	11
16	531 11 80-50	QUICK COUPLING		2	11
17	531 11 91-85	SEALING RING		4	11



## HYDRAULIC FRAME

PP 325 E, 2008-10

Ref	Part No	Description	Remark	QTY KIT	
1	531 11 50-18	COOLER		1	
2	531 14 11-63	COOLER CARTRIDGE 19 KW		1	1
3	531 11 90-02	/PP345E		1	1
4	740 38 34-01	SEALING WASHER		2	1
5	531 14 10-68	BULKHEAD COUPLING		2	1
6	531 11 95-25	SEALING RING		2	1
7	531 11 90-17	O-RING		1	
8	531 11 80-51	LEVEL GAUGE		1	
9	531 11 92-19	SCREW		2	
10	531 11 81-76	NUT		2	
11	740 38 34-01	SEALING WASHER		2	
12	531 11 83-55	NIPPLE		2	
13	531 11 80-03	HYDRAULIC COUPLING FEMA		2	
14	531 11 80-05	NIPPLE		2	
15	531 11 90-14	HOSE CLAMP		2	
16	501 36 58-01	HYDRAULIC TANK		1	
17	531 11 93-40	PLUG		1	
18	531 11 80-28	HYDRAULIC COUPLING DSVW		1	
19	531 11 81-61	SLEEVE		1	
20	531 11 81-63	HYDRAULIC HOSE		1	
21	531 11 91-85	SEALING RING		1	
22	531 11 80-49	QUICK COUPLING		1	
23	531 11 81-49	FILTER HOUSING		1	
24	531 11 92-94	O-RING		1	23
25	531 11 82-49	INSERT		1	23
26	531 11 92-95	O-RING		1	23
27	531 11 51-66	FILTER		1	
28	531 11 96-00	HOSE CLAMP		1	
29	731 23 18-01	HEXAGON NUT		2	
30	734 11 63-01	WASHER		2	



Ref	Part No	Description	Remark	QTY KIT
1	501 36 56-01	ELECTRIC MOTOR	400D440 V	1
1	501 36 56-02	ELECTRIC MOTOR	230 V	1
1	501 36 56-03	MOTOR	600 V	1
1	501 36 56-04	MOTOR	200V	1
2	501 36 62-01	TANK		1
3	531 11 51-69	SHAFT COUPLING COMPL.PP325/345		1
4	531 11 51-84	PRESSURE PIPE	50 Hz	1
4	531 11 51-86	PRESSURE PIPE	60 Hz	1
5	531 11 80-35	TUBE COUPLING EVL 15 L		1
6	531 11 80-56	QUICK COUPLING		1
7	531 11 80-65	TUBE COUPLING KOR 15/12		1
8	531 11 80-70	TUBE COUPLING MAV EV 12		1
9	531 11 80-82	VALVE		1
10	531 11 80-91	MANOMETER SD PG 451-250		1
11	531 11 80-98	TUBE COUPLING WSV 15 L		1
12	531 11 82-78	PUMP	60 Hz	1
12	531 11 82-79	HYDRAULIC PUMP	50 Hz	1
13	531 11 91-83	WASHER		4
14	531 11 91-86	SEALING RING		2
15	531 11 91-99	SCREW		2
16	531 11 92-07	SCREW		4
17	531 11 92-10	SCREW		1
18	531 11 92-24	SCREW		8
19	531 11 92-93	O-RING		1
20	531 14 11-59	PRESSURE LIMITING BLOCK		1
21	531 14 11-67	HOSE NIPPLE		1
22	531 14 11-79	BLOCK SEAL		1
23	504 05 51-01	LABEL		1
24	725 23 80-51	SCREW EHHM		3
25	731 23 20-01	HEXAGON NUT		2
26	731 23 22-01	HEXAGON NUT		4
27	734 11 52-01	WASHER		3
28	740 38 08-01	SEALING WASHER		2
29	740 38 18-01	SEALING WASHER		2
30	740 43 14-00	O-RING		1
31	531 11 80-50	QUICK COUPLING		1
32	531 11 91-81	WASHER		2
33	531 11 81-63	HYDRAULIC HOSE		1
34	531 11 93-40	PLUG		1
35	531 11 91-85	SEALING RING		1
36	531 11 72-01	ABDECKUNG F. LUEFTERRAD		1