

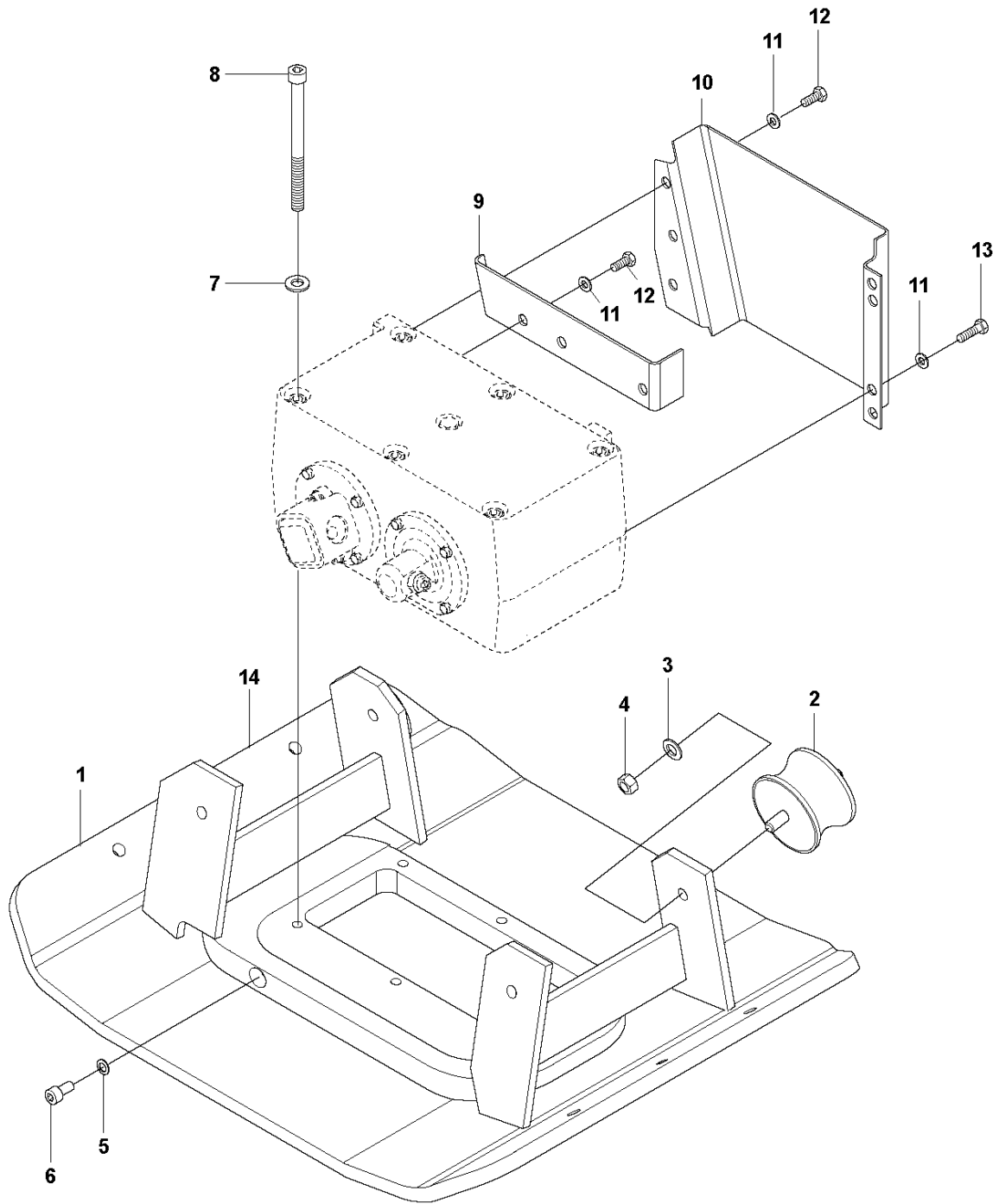


SPARE PARTS LIST

LIGHT COMPACTION

LG 204, 967855202, 967855206,
967855205, 967855207, 967855204,
967855203, 967855208, 967855201,
967855209, 2019-05

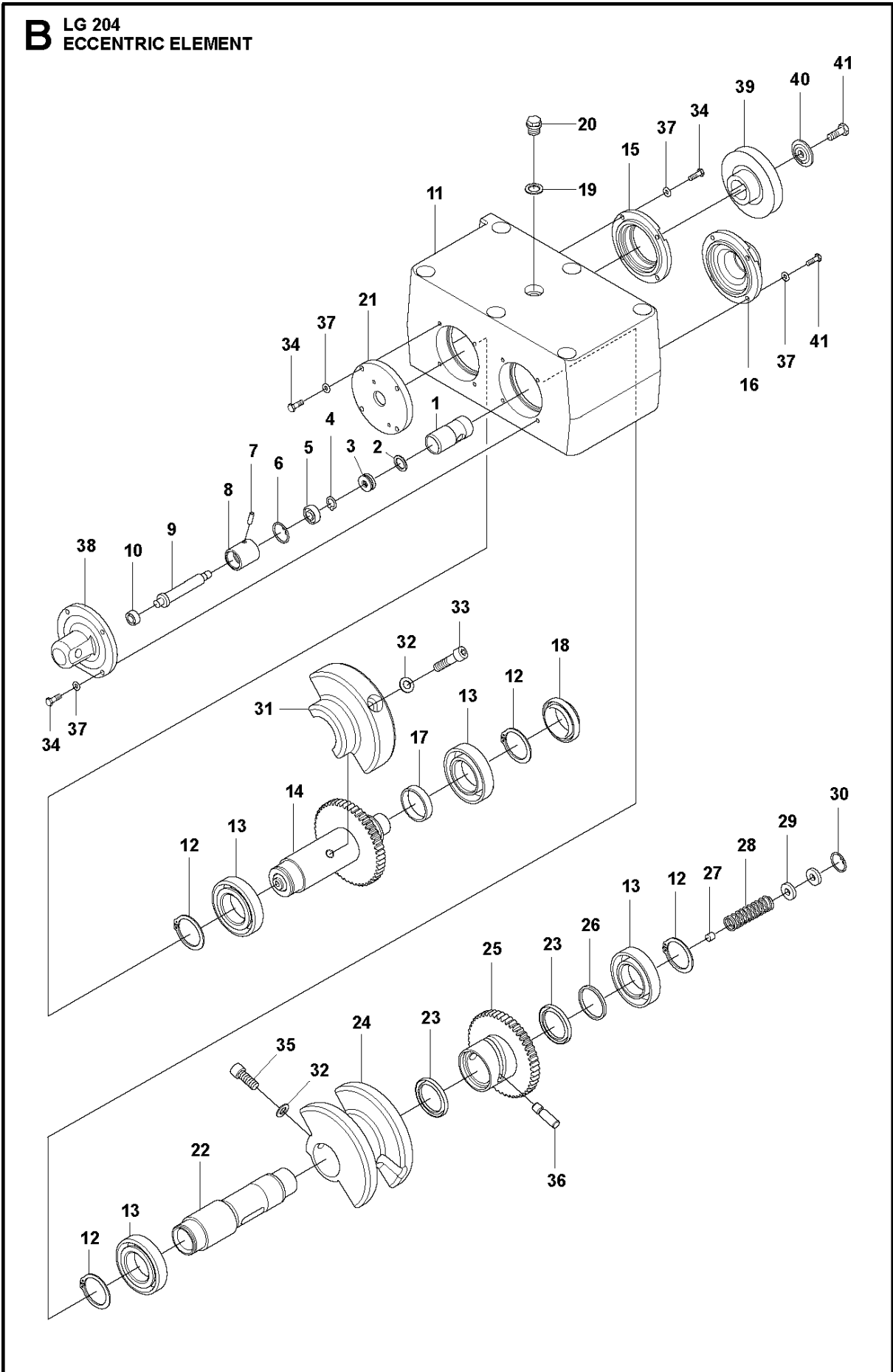
A LG 204
GROUND PLATE & ECCENTRIC ELEMENT INSTALLATION



GROUND PLATE & ECCENTRIC ELEMENT INSTALLATION LG 204, 967855202, 967855206,
 967855205, 967855207, 967855204, 967855203, 967855208, 967855201, 967855209, 2019-05

Ref	Part No	Description	Remark	QTY KIT
1	595 12 77-01	PLATE		1
2	594 32 70-01	ABSORBER		4
3	595 11 34-01	WASHER	DIN125	8
4	595 35 18-01	NUT	m12	4
5	594 51 21-01	WASHER		1
6	594 12 06-01	SCREW		1
7	595 11 30-01	WASHER		6
8	595 34 73-01	SOCKET	M12 x 160 mm 12.9GEOMET®	6
9	594 32 86-01	COVER		1
10	594 32 87-01	BELT COVER		1
11	595 03 66-01	WASHER	DIN125	8
12	594 11 79-01	SCREW	m8 x 20	6
13	595 34 43-01	SCREW		2
14	595 46 49-01	PLATE	600 mm	1

B LG 204
ECCENTRIC ELEMENT

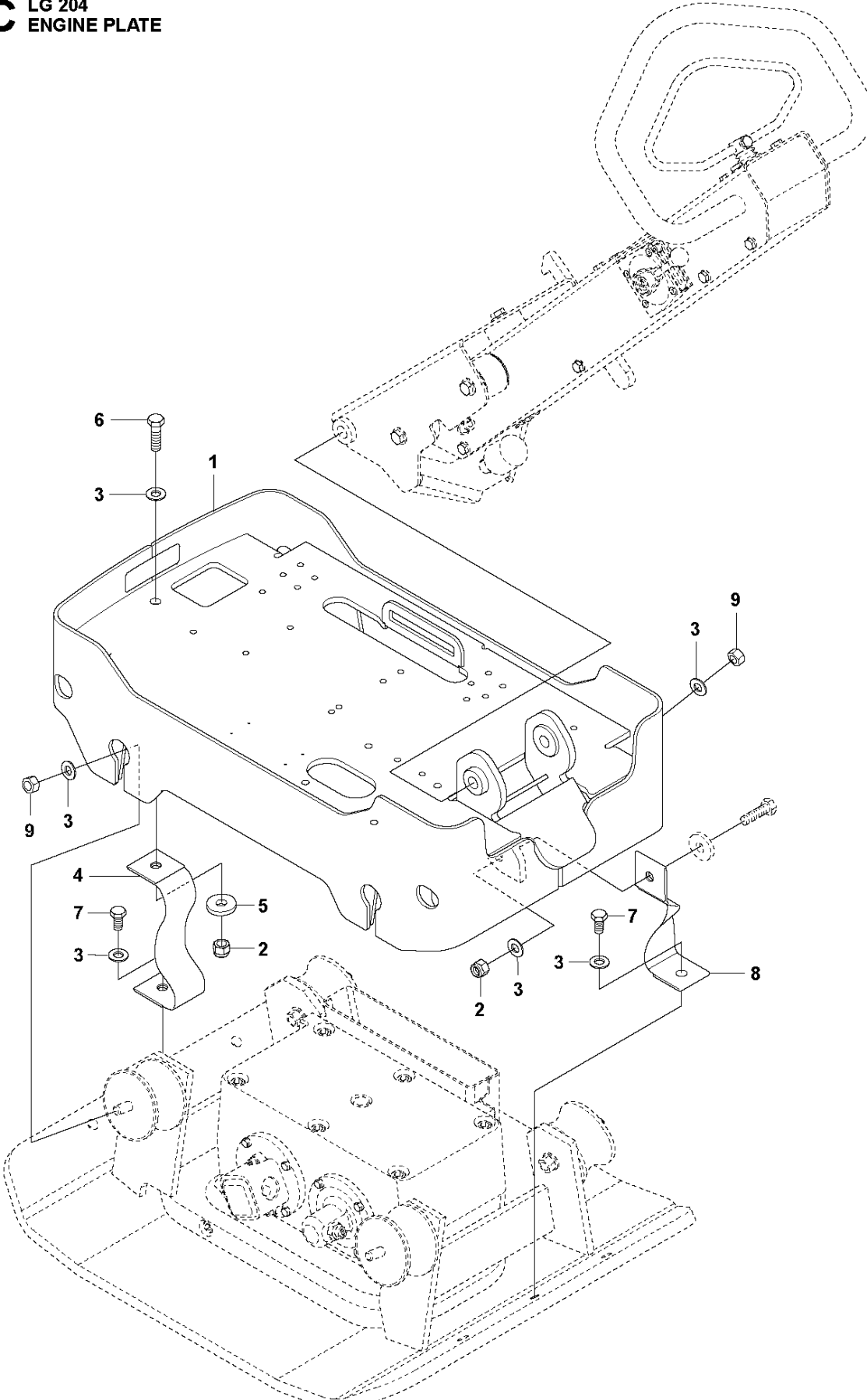


ECCENTRIC ELEMENT LG 204, 967855202, 967855206, 967855205, 967855207, 967855204, 967855203, 967855208, 967855201, 967855209, 2019-05

Ref	Part No	Description	Remark	QTY KIT
-	595 50 30-01	HYDRAULIC CYLINDER		1
1	594 64 35-01	PISTON		1
2	594 64 77-01	SPRING WASHER		1
3	594 64 76-01	BALL BEARING		1
4	595 35 33-01	CIRCLIP		1
5	594 64 75-01	BALL BEARING		1
6	594 26 64-01	RING		1
7	595 03 11-01	PIN	Ø6 x 20 mm DIN 1481	1
8	594 64 50-01	CAP		1
9	594 64 33-01	PISTON ROD		1
10	594 33 22-01	SEALING		1
11	594 43 60-01	HOUSING		1
12	595 11 41-01	CIRCLIP		4
13	594 53 11-01	ROLLER BEARING		4
14	594 48 72-01	SHAFT		1
15	594 43 58-01	COVER		1
16	594 64 37-01	COVER		1
17	594 32 59-01	SPACER RING		1
18	594 54 74-01	SEALING		1
19	595 04 78-01	GASKET		1
20	595 04 83-01	PLUG	M16	1
21	594 43 59-01	COVER		1
22	594 64 36-01	SHAFT		1
23	594 55 05-01	BALL BEARING		2
24	594 32 67-01	EXCENTER		1
25	594 64 49-01	GEAR WHEEL		1
26	594 32 60-01	SPACER RING		1
27	594 54 65-01	STOP SCREW		1
28	594 32 69-01	SPRING		1
29	594 32 62-01	WASHER		2
30	595 04 60-01	RETAINER RING		1
31	594 35 62-01	EXCENTER		1
32	594 53 48-01	WASHER	12x22x2	2
33	594 52 63-01	SCREW	M12 x 60 mm 10.9GEOMET®	1
34	595 10 98-01	SCREW	M6x20 mm 8.8 A2K	16
35	594 52 62-01	SCREW	M12 x 30mm 10.9GEOMET®	1
36	594 32 58-01	PIN		1
37	595 03 65-01	PLANE WASHER	6,4x12x1,5	16
38	594 64 32-01	CYLINDER		1
39	594 47 82-01	PULLEY		1
40	594 32 63-01	WASHER		1
41	595 07 11-01	SCREW		1

ENGINE PLATE LG 204, 967855202, 967855206, 967855205, 967855207, 967855204, 967855203, 967855208, 967855201, 967855209, 2019-05

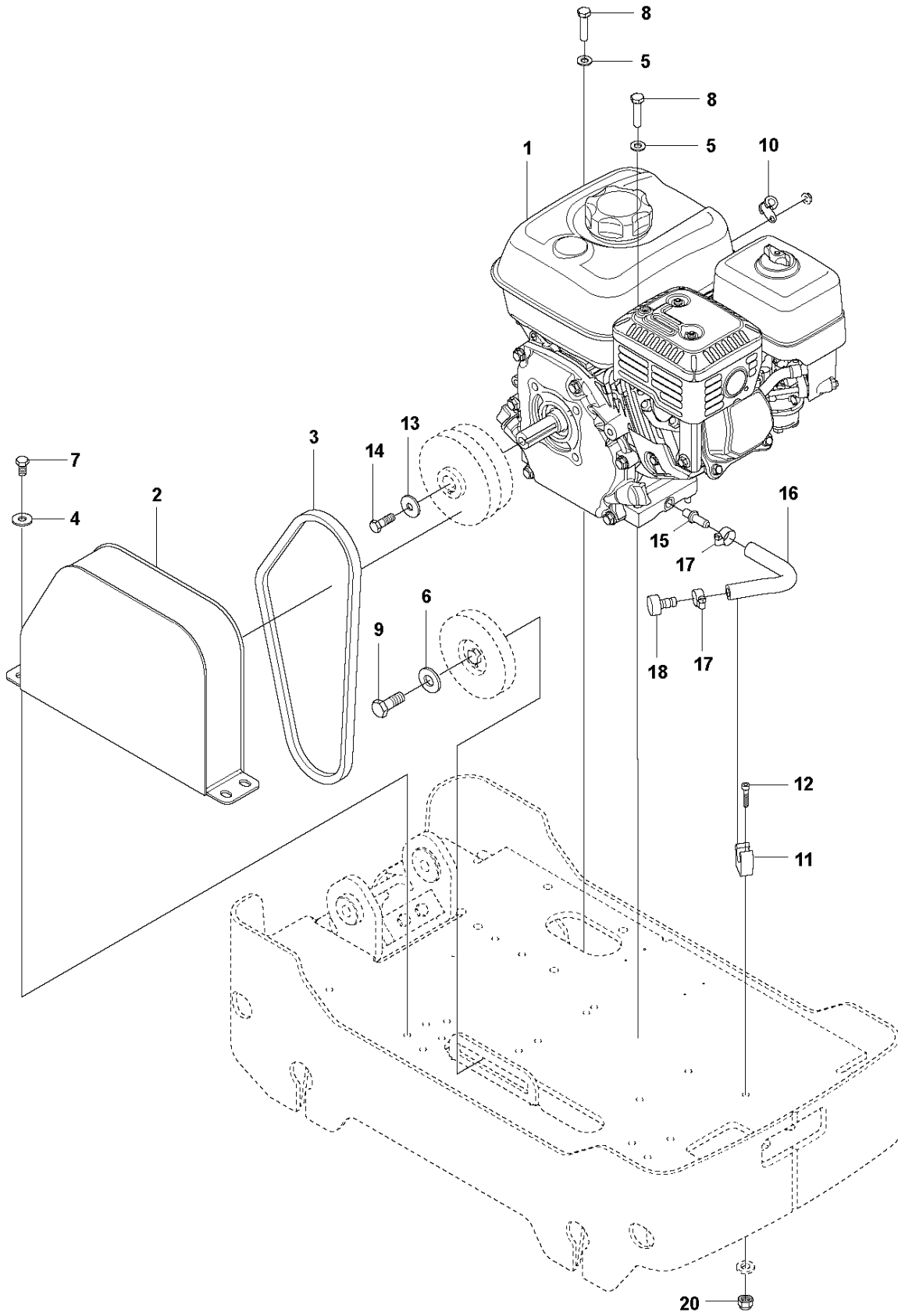
C LG 204
ENGINE PLATE



ENGINE PLATE LG 204, 967855202, 967855206, 967855205, 967855207, 967855204, 967855203,
967855208, 967855201, 967855209, 2019-05

Ref	Part No	Description	Remark	QTY KIT
1	595 12 81-01	ENGINE PLATE		1
2	595 11 27-01	NUT		2
3	595 11 34-01	WASHER	DIN125	10
4	594 14 30-01	STRAP		1
5	594 12 40-01	WASHER	"13x36x6 mm, 0.51x1.42x0.24 "" . 300HV"	4
6	594 11 91-01	SCREW	DIN933	2
7	595 34 53-01	SCREW		2
8	594 14 15-01	STRAP		1
9	595 02 94-01	NUT		4

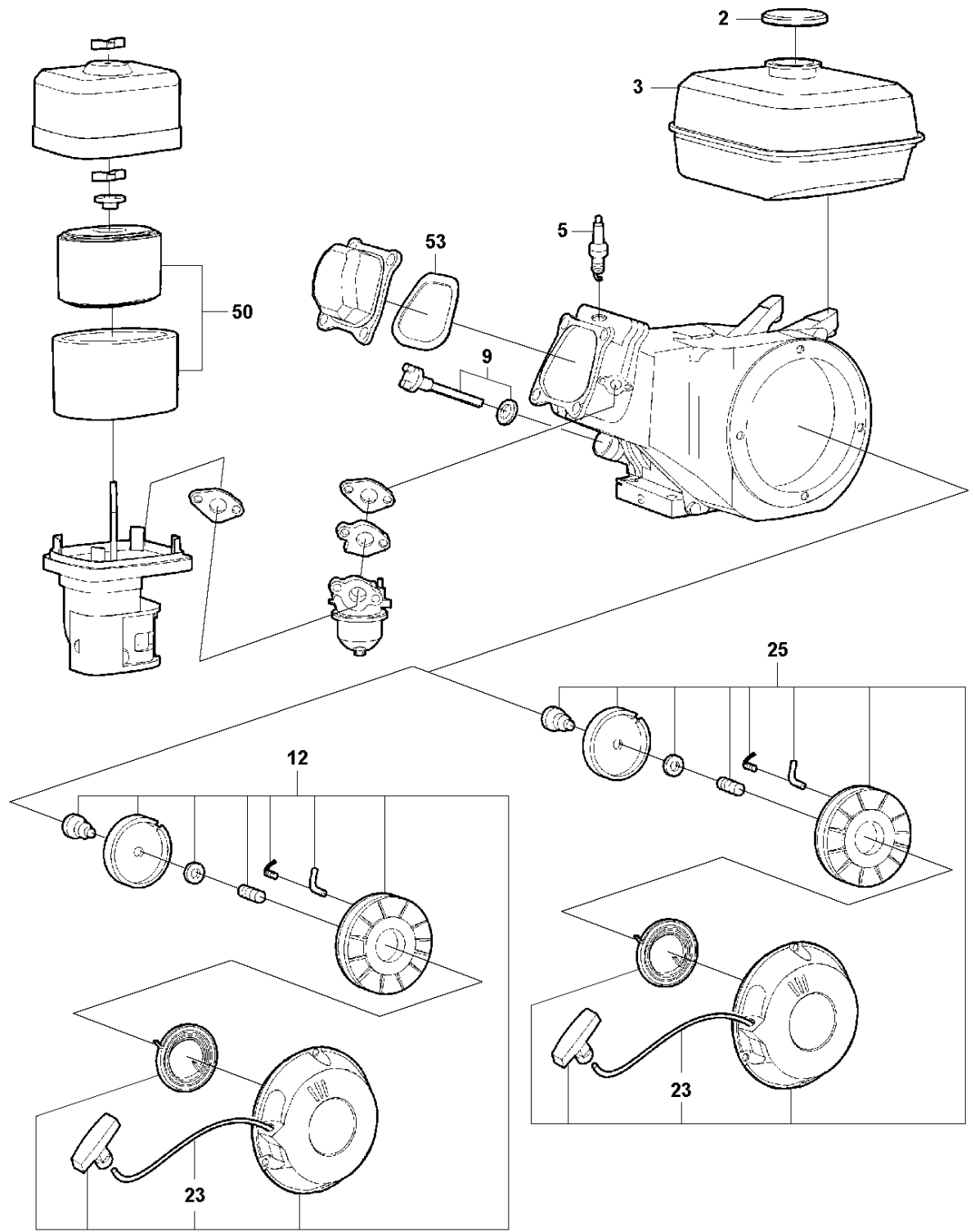
D LG 204
ENGINE INSTALLATION - HONDA



ENGINE INSTALLATION - HONDA LG 204, 967855202, 967855206, 967855205, 967855207,
 967855204, 967855203, 967855208, 967855201, 967855209, 2019-05

Ref	Part No	Description	Remark	QTY KIT
1	594 47 27-01	ENGINE	Honda GX200 SM-12SD	1
2	595 27 89-01	BELT GUARD		1
3	594 33 28-01	BELT		1
4	594 12 34-01	WASHER	M08 8,4x22x3,0 300 HV	4
5	595 03 66-01	WASHER	DIN125	4
6	595 11 28-01	WASHER	10.5 x 22 x 4 mm, 0.41 x 0.87 x 0.16 in. 300 HV	1
7	595 11 01-01	SCREW	m8 x 16	4
8	595 11 02-01	BOLT		4
9	595 07 11-01	SCREW		1
10	595 03 75-01	CLAMP		1
11	594 33 10-01	CLIP		1
12	595 99 05-01	SCREW	M5 x 25 mm	1
13	595 11 29-01	WASHER	8.4 x 26 x 4 mm, 0.33 x 1.02 x 0.16 in. 300 HV	1
14	595 03 34-01	SCREW		1
15	594 64 82-01	HOSE CONNECTOR		1
16	594 14 78-01	HOSE		1
17	595 45 46-01	CLAMP		2
18	594 14 73-01	PLUG		1
20	595 35 24-01	NUT		1

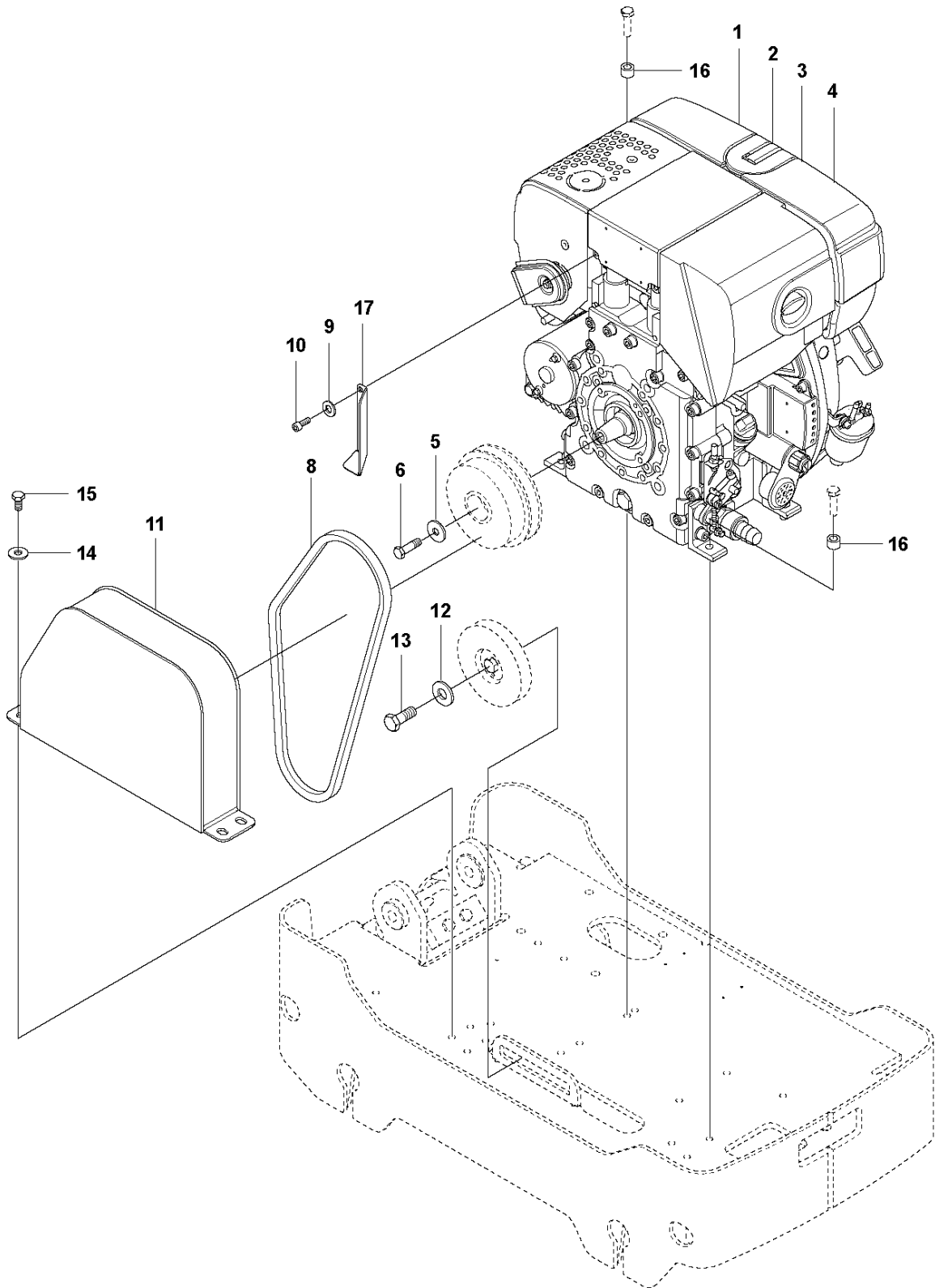
E LG 204
ENGINE - HONDA GX 200 UT SM-12 OH



ENGINE - HONDALG 204, 967855202, 967855206, 967855205, 967855207, 967855204, 967855203, 967855208, 967855201, 967855209, 2019-05

Ref	Part No	Description	Remark	QTY	KIT
2	594 60 91-01	FUEL CAP		1	
3	594 20 45-01	FUEL TANK		1	
5	595 05 13-01	SPARK PLUG		1	
9	594 20 38-01	OIL	DIPSTICK	1	
12	594 60 27-01	STARTER	Painted red, Handle valid up to engine serial number 1517328 grip starter, from engine serial number 1517329	1	
23	595 04 91-01	ROPE		1	12, 25
25	594 20 56-01	STARTER	Painted black, grip valid up to engine serial number 1517328 handle from engine serial number 1517329	1	
50	594 58 23-01	AIR FILTER		1	
53	595 04 88-01	GASKET		1	

F LG 204
ENGINE INSTALLATION - HATZ



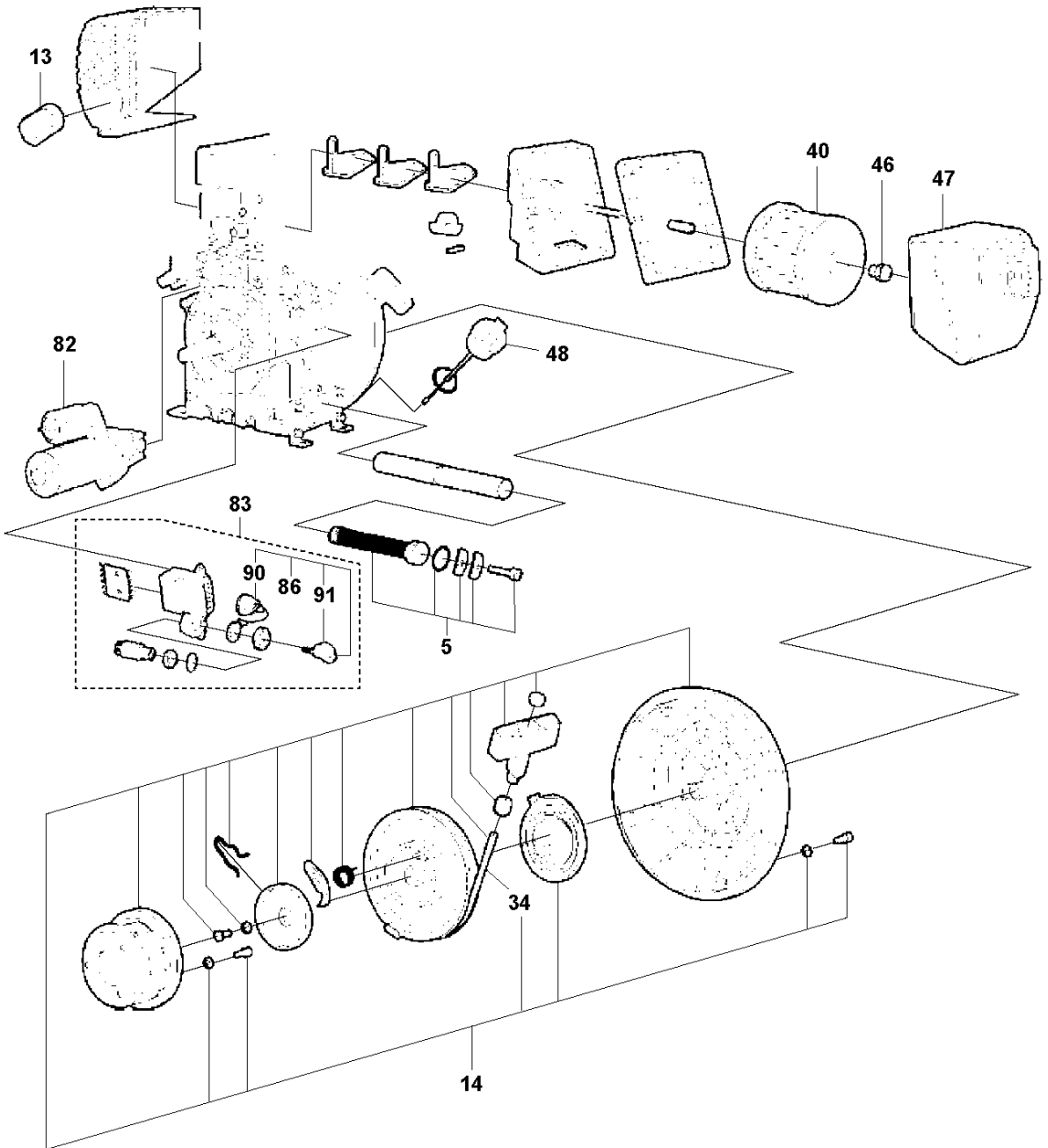
ENGINE INSTALLATION - HATZ

LG 204, 967855202, 967855206, 967855205, 967855207,

967855204, 967855203, 967855208, 967855201, 967855209, 2019-05

Ref	Part No	Description	Remark	QTY KIT
1	596 24 12-14	ENGINE	Hatz 1B20, manual start	1
2	596 24 12-13	ENGINE	Hatz 1B20 electric start	1
3	595 36 53-01	ENGINE	Hatz 1B20, manual start EPA version, for US and Canada market	1
4	595 36 54-01	ENGINE	Hatz 1B20, electric start EPA version, for US and Canada market	1
5	595 11 29-01	WASHER	8.4x26x4 mm 300 HV	1
6	595 34 43-01	SCREW		1
8	594 33 27-01	BELT	Hatz 1B20, electric start	1
9	595 03 65-01	PLANE WASHER		2
10	595 03 42-01	SCREW		2
11	595 27 90-01	BELT GUARD		1
12	595 11 28-01	WASHER		1
13	594 11 90-01	BOLT		1
14	594 12 34-01	WASHER	M08 8,4x22x3,0 300 HV	4
15	595 11 01-01	SCREW	m8 x 16	4
16	594 18 15-01	SPACER		4
17	594 82 78-01	DEFLECTOR		1

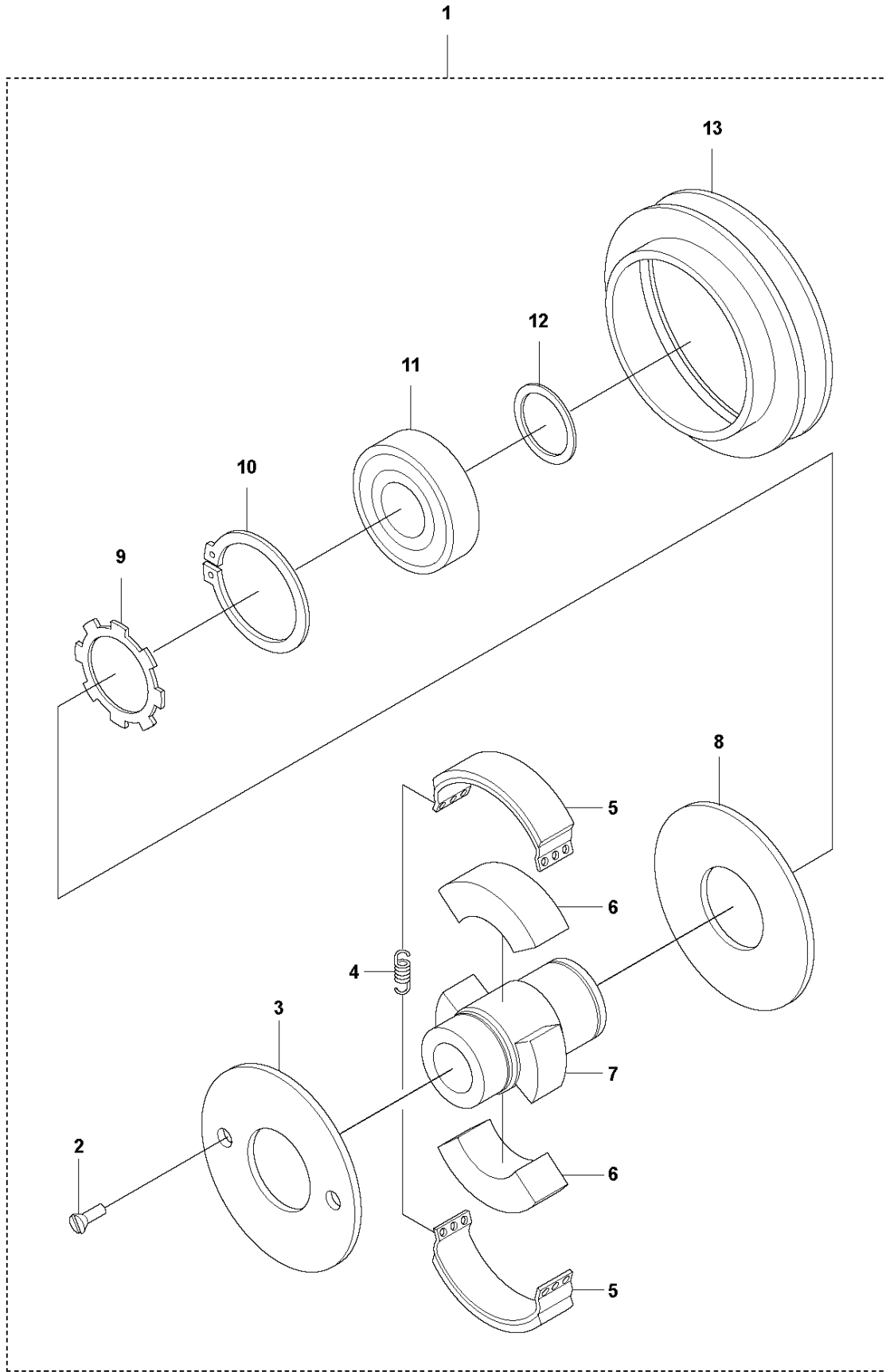
G LG 204
ENGINE - HATZ 1B20



ENGINE - HATZ LG 204, 967855202, 967855206, 967855205, 967855207, 967855204, 967855203, 967855208, 967855201, 967855209, 2019-05

Ref	Part No	Description	Remark	QTY	KIT
5	594 57 01-01	STRAINER		1	
13	594 57 04-01	EXHAUST PIPE		1	
14	594 56 84-01	STARTER		1	
34	594 56 90-01	ROPE		1	14
40	594 57 11-01	FILTER		1	
46	594 57 12-01	NUT		1	
47	594 19 10-01	PROTECTIVE COVER		1	
48	594 57 80-01	OIL		1	
82	594 58 52-01	STARTER		1	
83	594 59 48-01	BOX		1	
86	594 58 15-01	IGNITION SWITCH		1	83
90	595 37 36-01	COVER		1	83, 86
91	594 20 57-01	KEY		1	83, 86

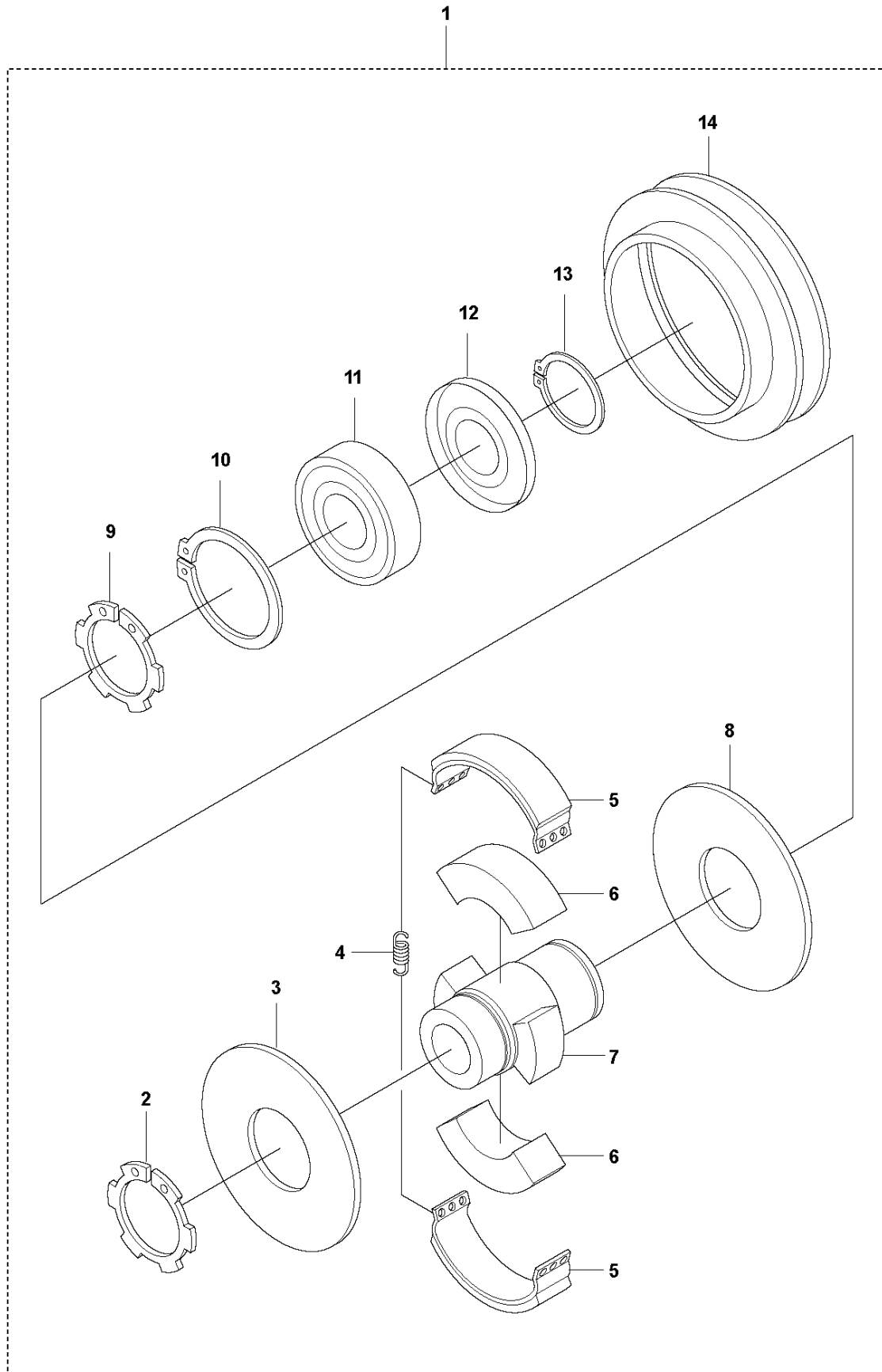
H LG 204
CENTRIFUGAL CLUTCH - HONDA



CENTRIFUGAL CLUTCH - HONDA LG 204, 967855202, 967855206, 967855205, 967855207,
 967855204, 967855203, 967855208, 967855201, 967855209, 2019-05

Ref	Part No	Description	Remark	QTY KIT	
1	594 32 98-01	CENTRIFUGAL CLUTCH		1	
2	595 05 93-01	SCREW		2	1
3	594 14 76-01	CLUTCH COVER		1	1
4	594 56 39-01	SPRING		2	1
5	594 55 10-01	CLUTCH		2	1
6	594 30 14-01	CLUTCH		2	1
7	594 56 05-01	HUB		1	1
8	594 31 23-01	COVER		1	1
9	594 31 19-01	RING		1	1
10	595 04 61-01	SNAP RING		1	1
11	594 25 91-01	BALL BEARING		1	1
12	595 04 55-01	SNAP RING		1	1
13	594 56 03-01	PULLEY		1	1

J LG 204
CENTRIFUGAL CLUTCH - HATZ



CENTRIFUGAL CLUTCH - HATZ LG 204, 967855202, 967855206, 967855205, 967855207,
 967855204, 967855203, 967855208, 967855201, 967855209, 2019-05

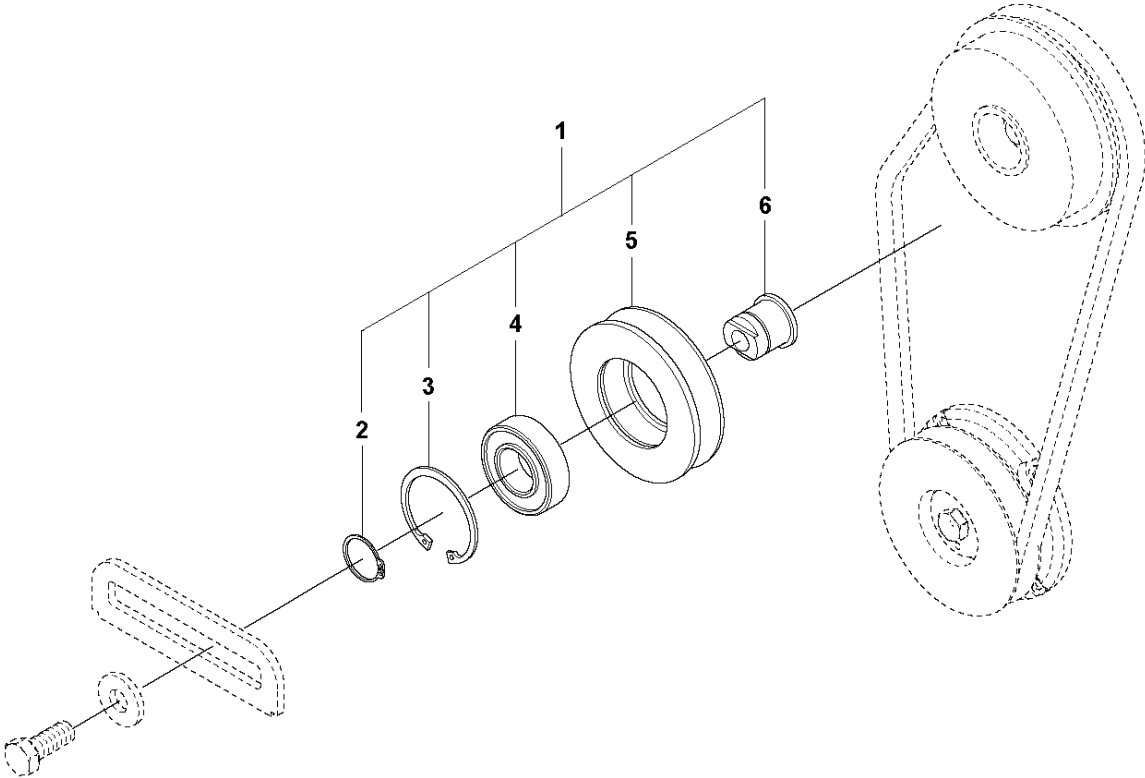
Ref	Part No	Description	Remark	QTY KIT	
1	594 34 73-01	CENTRIFUGAL CLUTCH		1	
2	594 31 19-01	RING		1	1
3	594 31 23-01	COVER		1	1
4	594 31 18-01	SPRING		1	1
5	594 67 50-01	CLUTCH		2	1
6	594 54 05-01	CLUTCH		2	1
7	594 57 23-01	HUB		1	1
8	594 31 31-01	COVER		1	1
9	594 30 88-01	RING		1	1
10	594 26 62-01	RING		1	1
11	594 25 90-01	BALL BEARING		1	1
12	595 06 99-01	RING		1	1
13	595 04 57-01	SNAP RING		1	1
14	594 20 99-01	PULLEY		1	1

BELT TIGHTENER

LG 204, 967855202, 967855206, 967855205, 967855207, 967855204,

967855203, 967855208, 967855201, 967855209, 2019-05

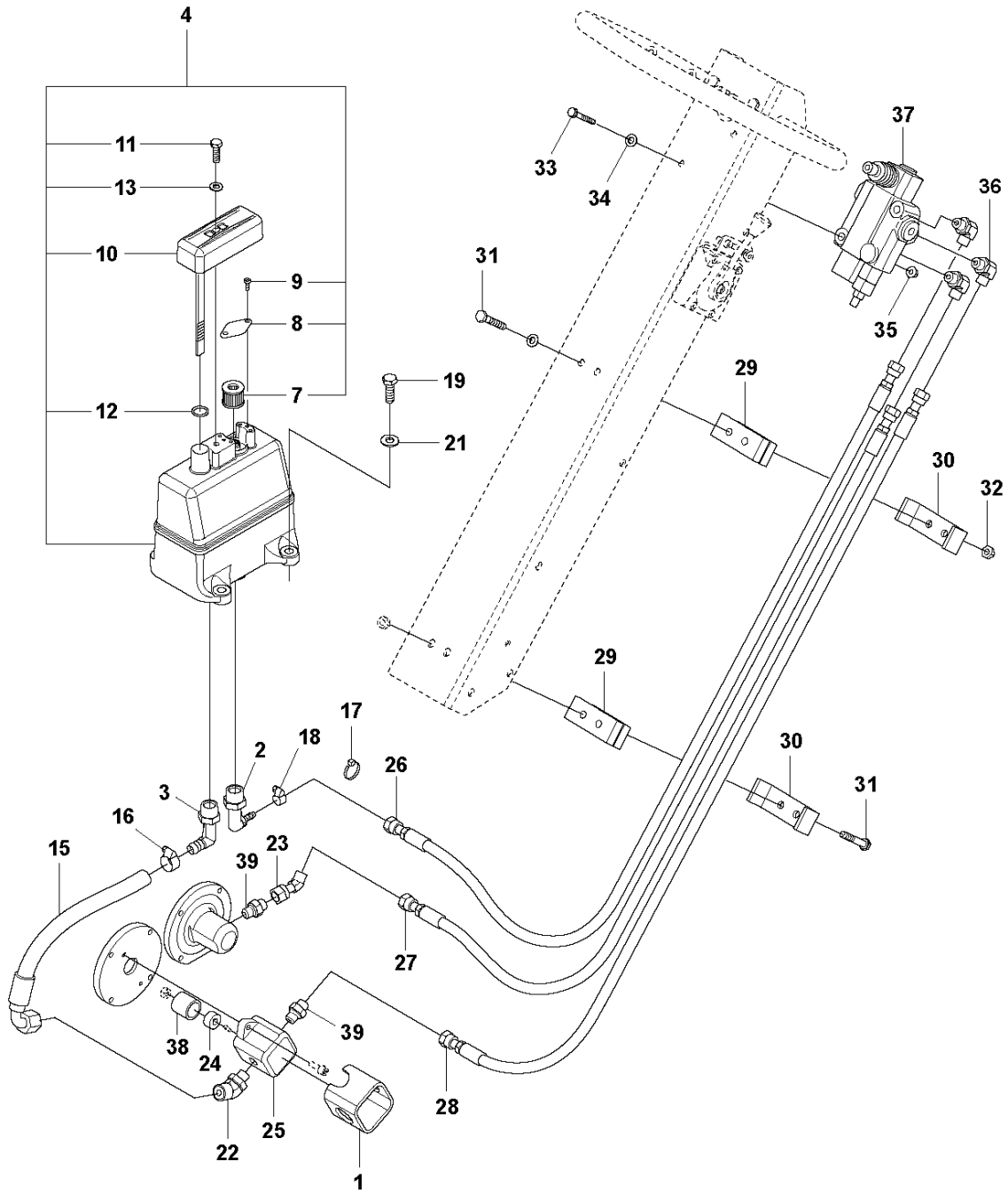
K LG 204
BELT TIGHTENER



BELT TIGHTENER LG 204, 967855202, 967855206, 967855205, 967855207, 967855204,
967855203, 967855208, 967855201, 967855209, 2019-05

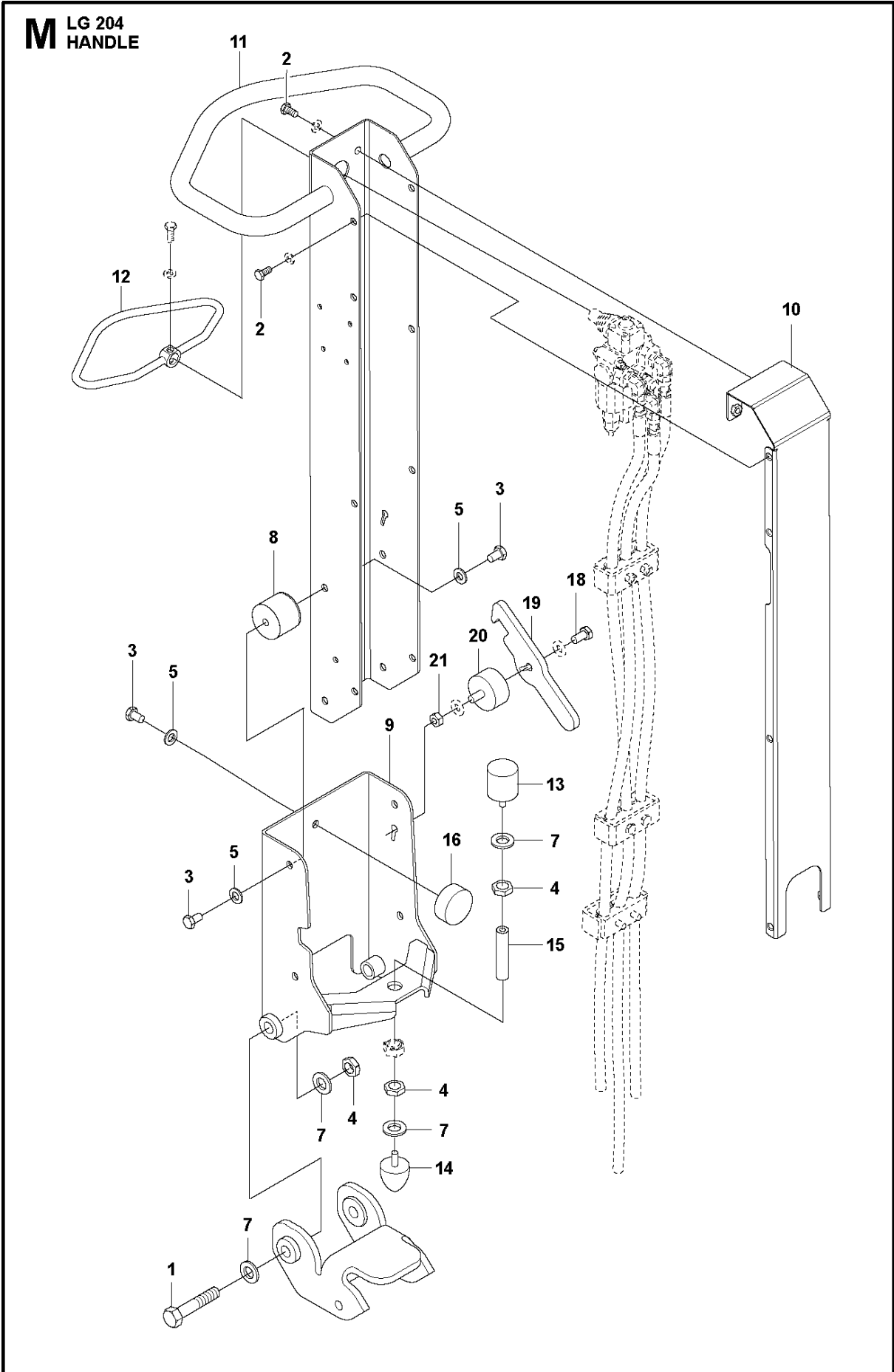
Ref	Part No	Description	Remark	QTY	KIT
1	594 32 79-01	BELT		1	
2	594 12 47-01	RETAINER RING		1	1
3	594 12 50-01	CIRCLIP		1	1
4	595 04 50-01	BEARING		1	1
5	594 32 80-01	BELT		1	1
6	594 32 81-01	SHAFT		1	1

L LG 204
HYDRAULIC SYSTEM



HYDRAULIC SYSTEM LG 204, 967855202, 967855206, 967855205, 967855207, 967855204, 967855203, 967855208, 967855201, 967855209, 2019-05

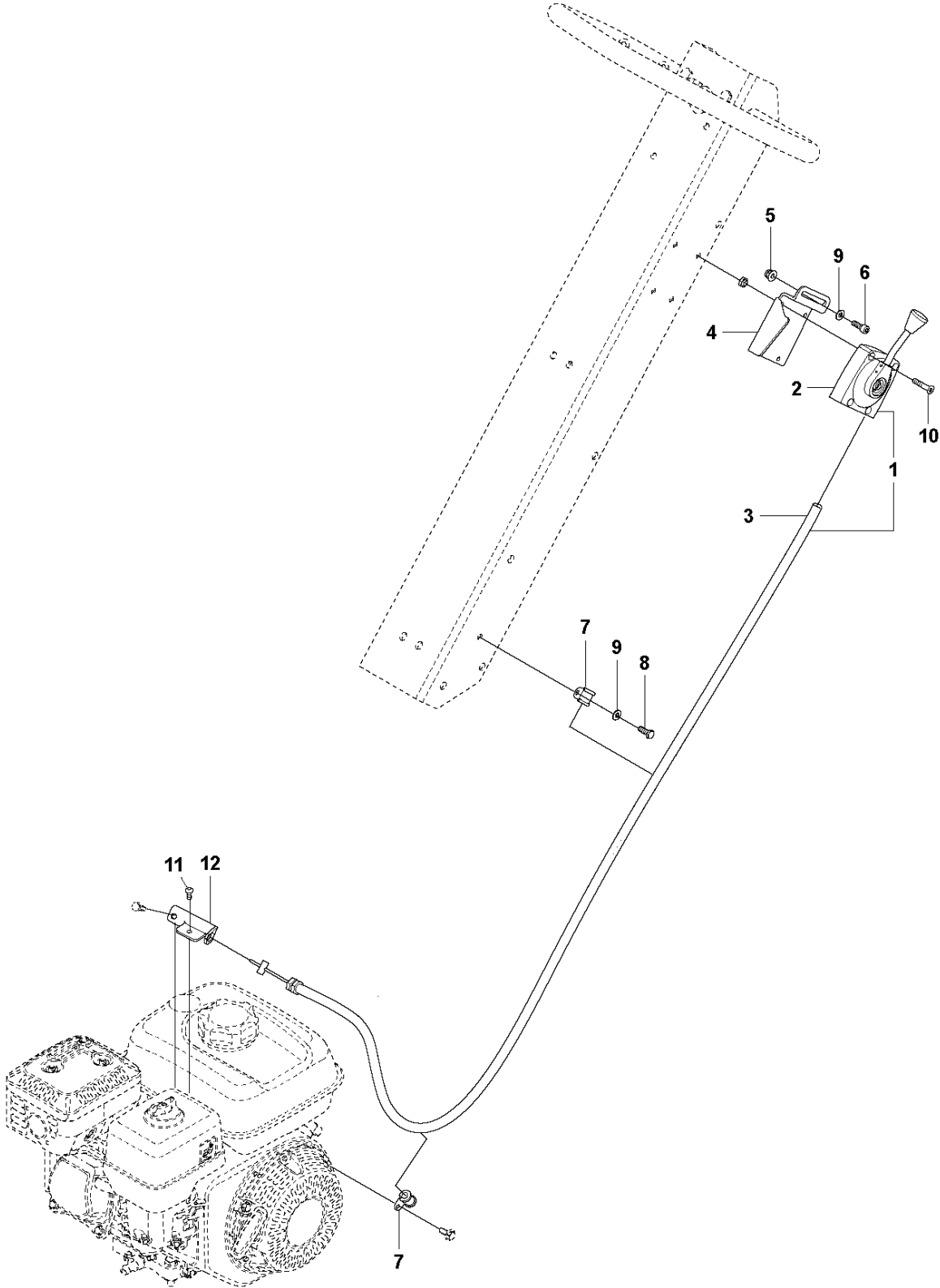
Ref	Part No	Description	Remark	QTY	KIT
1	594 32 43-01	PROTECTIVE COVER		1	
2	594 42 60-01	ADAPTER		1	
3	594 42 61-01	ADAPTER		1	
4	594 42 63-01	HYDRAULIC TANK	Complete	1	
7	594 44 55-01	AIR FILTER		1	4
8	594 44 54-01	FILTER HOLDER		1	4
9	594 83 88-01	SCREW	K50 x 12 mm Type KX-PT	2	4
10	594 44 31-01	COVER		1	4
11	595 03 34-01	SCREW	M8x25 mm 8.8 A2K	1	4
12	595 04 73-01	O-RING		1	4
13	595 03 66-01	WASHER	8.4x 6x1.5 mm 300HV	1	4
15	594 48 81-01	HYDRAULIC HOSE		1	
16	595 45 47-01	CLAMP		1	
17	595 35 42-01	CABLE		1	
18	595 16 07-01	HOSE CLAMP		1	
19	594 11 85-01	BOLT		4	
21	594 74 74-01	WASHER		1	
22	594 52 37-01	ELBOW		1	
23	594 51 91-01	ADAPTER		1	
24	594 54 89-01	GEAR		1	
25	594 45 53-01	PUMP		1	
26	595 37 06-01	HYDRAULIC HOSE		1	
27	595 28 83-01	HYDRAULIC HOSE		1	
28	595 37 05-01	HYDRAULIC HOSE		2	
29	594 32 40-01	BLOCK		2	
30	594 14 74-01	BRACKET		4	
31	595 28 71-01	SCREW		2	
32	595 35 23-01	NUT	M6 x 55 mm 8.8 A2K	2	
33	595 11 00-01	BOLT		2	
34	595 03 65-01	PLANE WASHER	M8	2	
35	595 11 26-01	NUT		3	
36	594 12 73-01	CONNECTOR		1	
37	594 34 76-01	VALVE		1	
38	594 54 88-01	SLEEVE		2	
39	595 06 30-01	CONNECTOR		2	



HANDLE LG 204, 967855202, 967855206, 967855205, 967855207, 967855204, 967855203, 967855208, 967855201, 967855209, 2019-05

Ref	Part No	Description	Remark	QTY KIT
1	595 07 05-01	SCREW	M1 x 65 mm 8.8 A3K	2
2	595 11 01-01	SCREW	m8 x 16	10
3	595 34 46-01	SCREW		9
4	595 11 22-01	HEXAGON NUT		4
5	594 74 74-01	WASHER		12
7	595 03 67-01	WASHER		6
8	594 14 75-01	ABSORBER		4
9	595 12 78-01	HANDLE BRACKET		1
10	594 18 48-01	LID		1
11	595 36 80-01	HANDLE		1
12	594 64 26-01	CONTROL LEVER		1
13	594 52 72-01	ABSORBER		1
14	594 52 73-01	ABSORBER		1
15	594 49 24-01	STUD		1
16	594 51 83-01	RADIATOR		1
18	594 11 84-01	SCREW		1
19	594 45 15-01	HOOK		1
20	594 46 27-01	ABSORBER		1
21	595 02 94-01	NUT		1

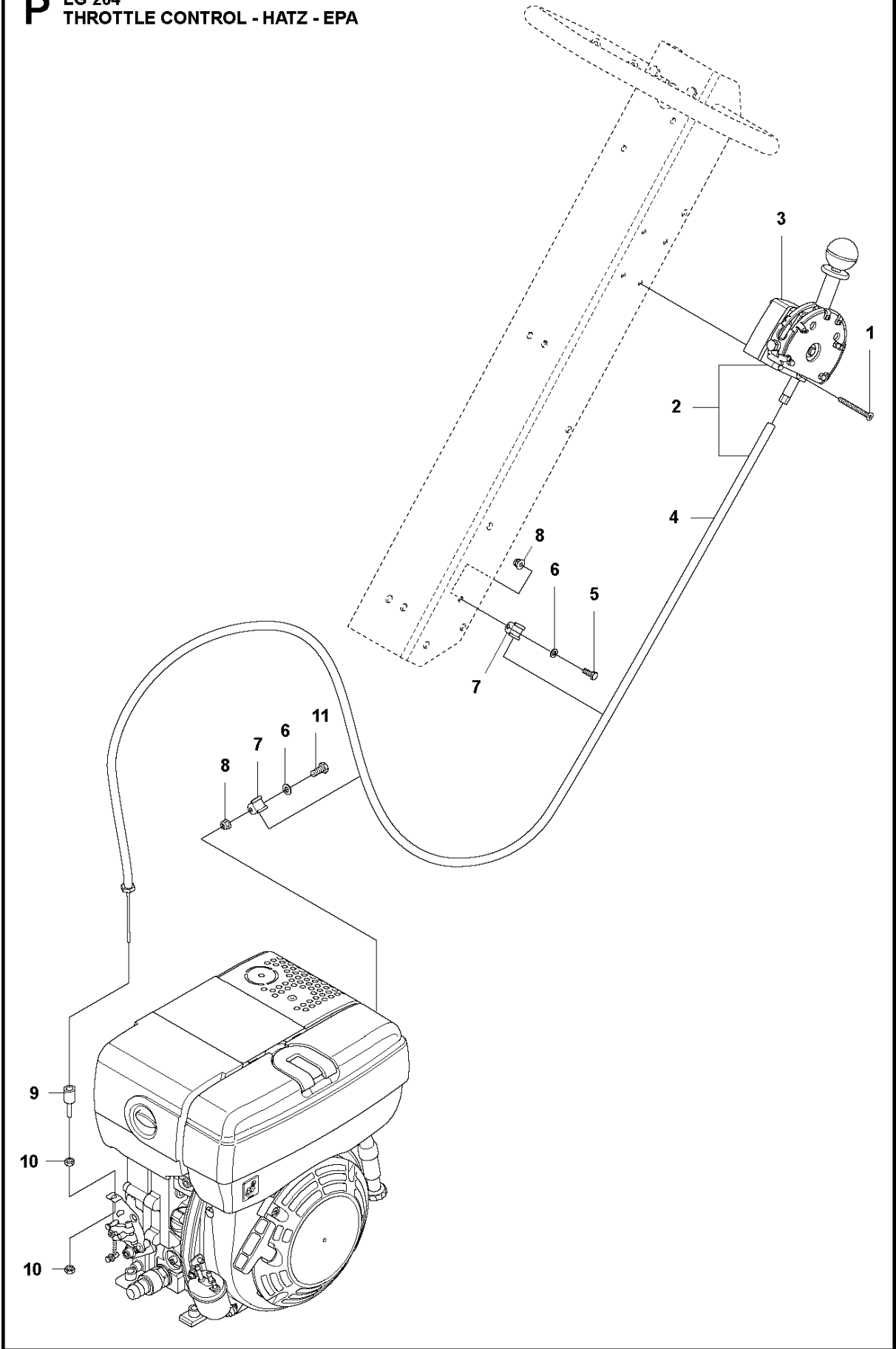
N LG 204
THROTTLE CONTROL - HONDA



THROTTLE CONTROL - HONDA LG 204, 967855202, 967855206, 967855205, 967855207,
 967855204, 967855203, 967855208, 967855201, 967855209, 2019-05

Ref	Part No	Description	Remark	QTY KIT	
1	595 37 09-01	THROTTLE		1	
2	594 49 07-01	LEVER		1	1
3	594 44 15-01	CABLE		1	1
4	594 64 51-01	BRACKET		1	
5	595 11 26-01	NUT	M8	1	
6	595 03 32-01	SCREW		2	
7	595 03 75-01	CLAMP		2	
8	595 03 42-01	SCREW	M6x16	2	
9	595 03 65-01	PLANE WASHER		1	
10	595 34 99-01	SCREW	M5 x 30 mm A2-70	4	
11	595 06 58-01	SCREW	M05x12	1	
12	594 47 26-01	BRACKET		1	

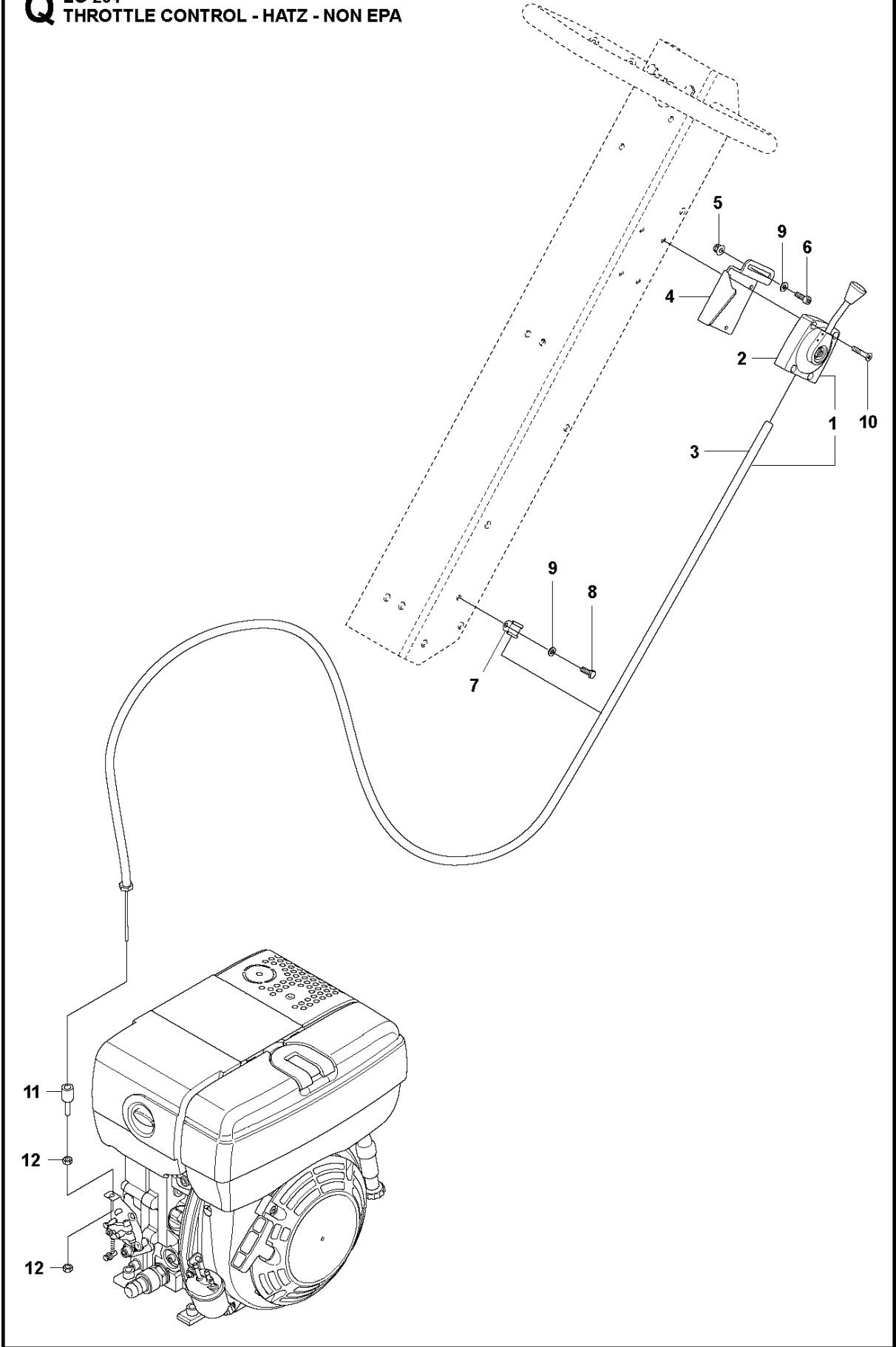
P LG 204
THROTTLE CONTROL - HATZ - EPA



THROTTLE CONTROL - HATZ - EPA LG 204, 967855202, 967855206, 967855205, 967855207,
 967855204, 967855203, 967855208, 967855201, 967855209, 2019-05

Ref	Part No	Description	Remark	QTY	KIT
1	595 34 99-01	SCREW	MF6S M5x30 ISO10642 10.9 Fe/ZnNi 8 P4 (Zinc Nickel Black)	4	
2	594 17 64-01	THROTTLE CONTROL		1	
3	594 49 07-01	LEVER		1	2
4	594 21 02-01	THROTTLE CABLE		1	2
5	595 03 32-01	SCREW		1	
6	595 03 65-01	PLANE WASHER		2	
7	595 03 75-01	CLAMP		2	
8	595 11 26-01	NUT	M8	2	
9	594 35 21-01	NIPPLE		1	
10	595 28 75-01	HEXAGON NUT		2	
11	595 10 98-01	SCREW		1	

Q LG 204
THROTTLE CONTROL - HATZ - NON EPA

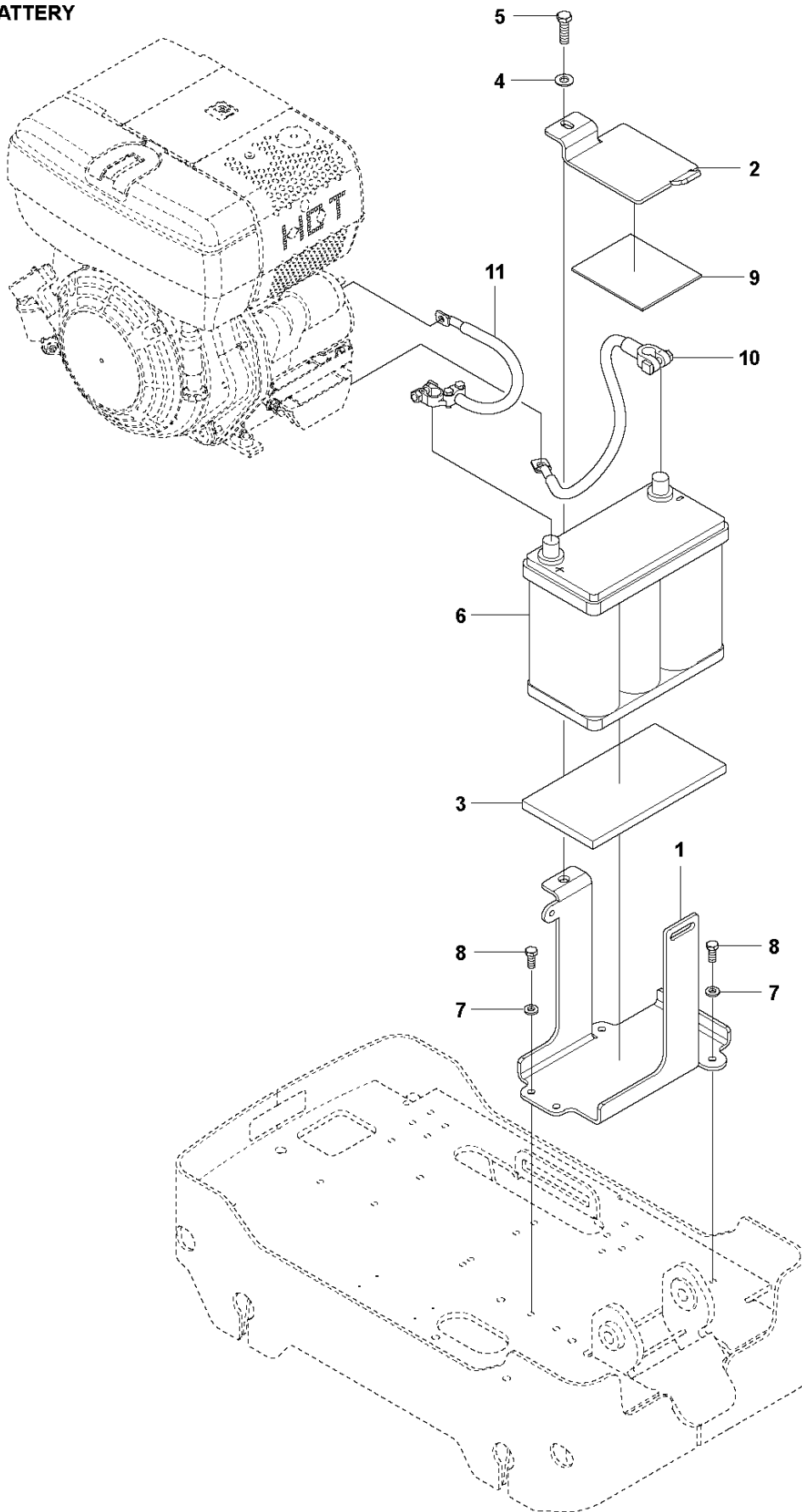


THROTTLE CONTROL - HATZ LG 204, 967855202, 967855206, 967855205, 967855207,
 967855204, 967855203, 967855208, 967855201, 967855209, 2019-05

Ref	Part No	Description	Remark	QTY	KIT
1	594 48 30-01	THROTTLE CONTROL		1	
2	594 49 07-01	LEVER		1	1
3	594 48 29-01	THROTTLE CONTROL		1	1
4	594 64 51-01	BRACKET		1	
5	595 11 26-01	NUT	M8	1	
6	595 03 42-01	SCREW		2	
7	595 03 75-01	CLAMP		1	
8	595 03 32-01	SCREW		1	
9	595 03 65-01	PLANE WASHER		3	
10	595 34 99-01	SCREW		4	
11	594 35 21-01	NIPPLE		1	
12	595 28 75-01	HEXAGON NUT		2	

BATTERY LG 204, 967855202, 967855206, 967855205, 967855207, 967855204, 967855203, 967855208, 967855201, 967855209, 2019-05

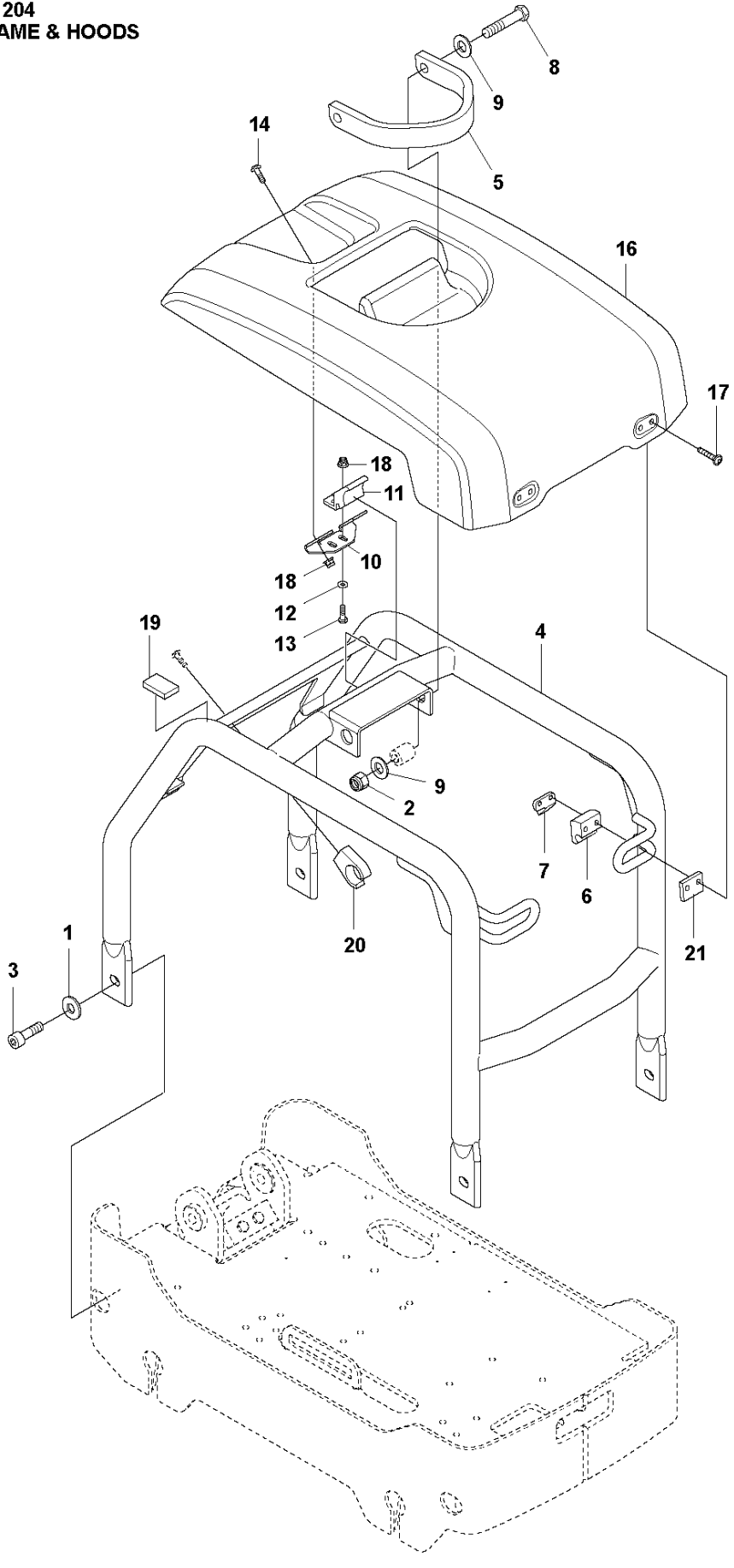
R LG 204
BATTERY



BATTERY LG 204, 967855202, 967855206, 967855205, 967855207, 967855204, 967855203, 967855208, 967855201, 967855209, 2019-05

Ref	Part No	Description	Remark	QTY KIT
1	594 48 93-01	HOLDER		1
2	594 48 92-01	BRACKET		1
3	594 48 90-01	INSULATION		1
4	594 74 74-01	WASHER		1
5	594 11 85-01	BOLT		1
6	594 43 35-01	BATTERY		1
7	595 06 73-01	WASHER	8,4x16x3,0	4
8	594 11 79-01	SCREW	m8 x 20	4
9	594 48 94-01	SHROUD		1
10	595 18 47-01	CABLE		1
11	595 18 43-01	CABLE		1

S LG 204
FRAME & HOODS

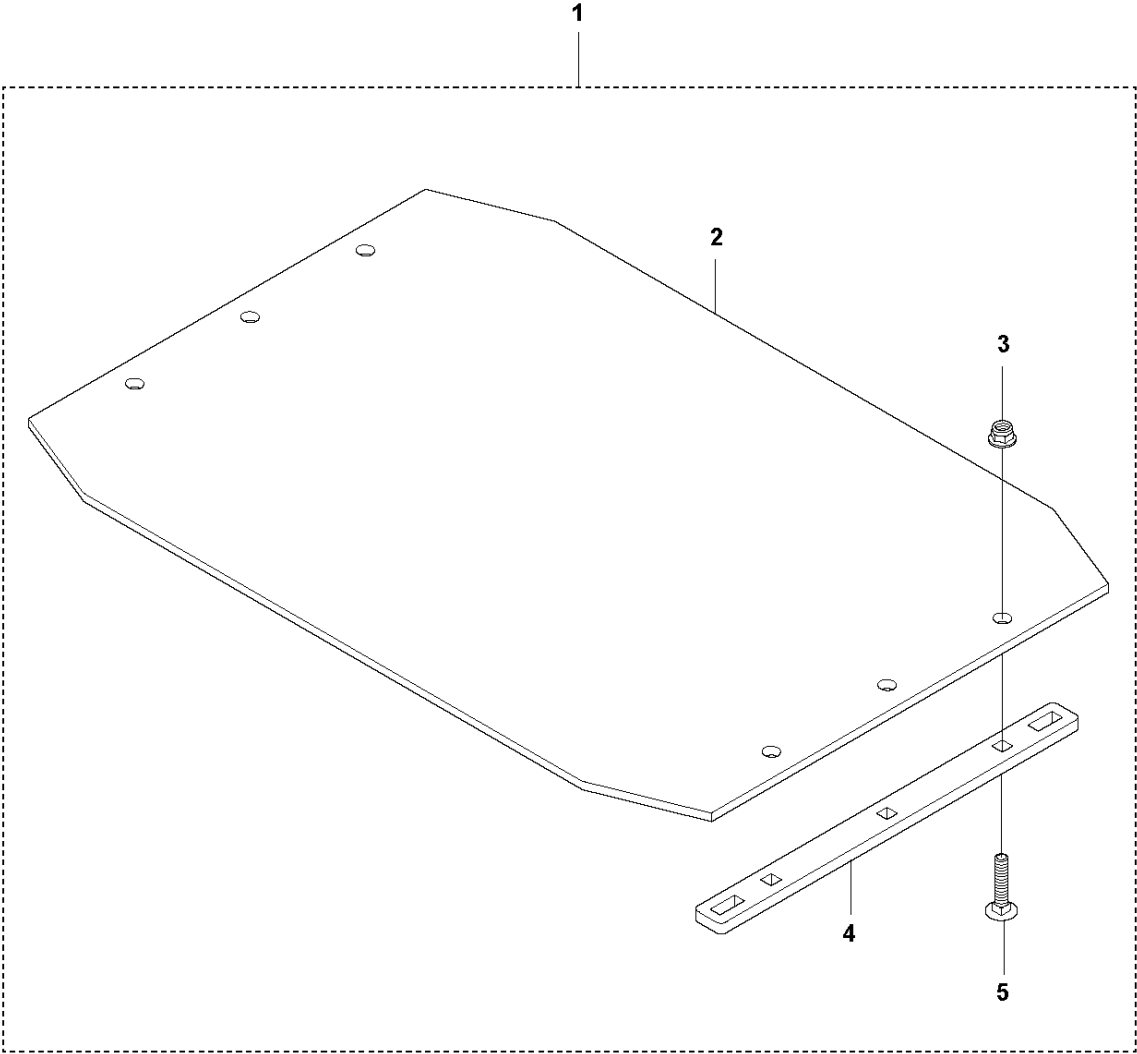


FRAME & HOODS

LG 204, 967855202, 967855206, 967855205, 967855207, 967855204,
967855203, 967855208, 967855201, 967855209, 2019-05

Ref	Part No	Description	Remark	QTY KIT
1	595 11 28-01	WASHER	10.5 x 22 x 4 mm, 0.41 x 0.87 x 0.16 in. 300 HV	4
2	595 11 27-01	NUT		2
3	594 12 09-01	BOLT	M12 x 40	4
4	594 18 44-01	FRAME		1
5	594 15 09-01	HANDLE		1
6	594 46 96-01	CLIP		2
7	594 47 15-01	STOP		2
8	594 11 93-01	BOLT		2
9	595 11 54-01	WASHER		4
10	594 46 97-01	BRACKET		1
11	594 46 95-01	CLIP		1
12	595 03 65-01	PLANE WASHER		2
13	595 10 98-01	SCREW		2
14	595 34 96-01	SOCKET		4
16	594 95 77-01	PROTECTIVE COVER		1
17	594 12 11-01	SOCKET		4
18	595 11 26-01	NUT		6
19	595 52 39-01	PLATE		2
20	594 32 95-01	CLIP		2
21	594 18 52-01	PLATE		2

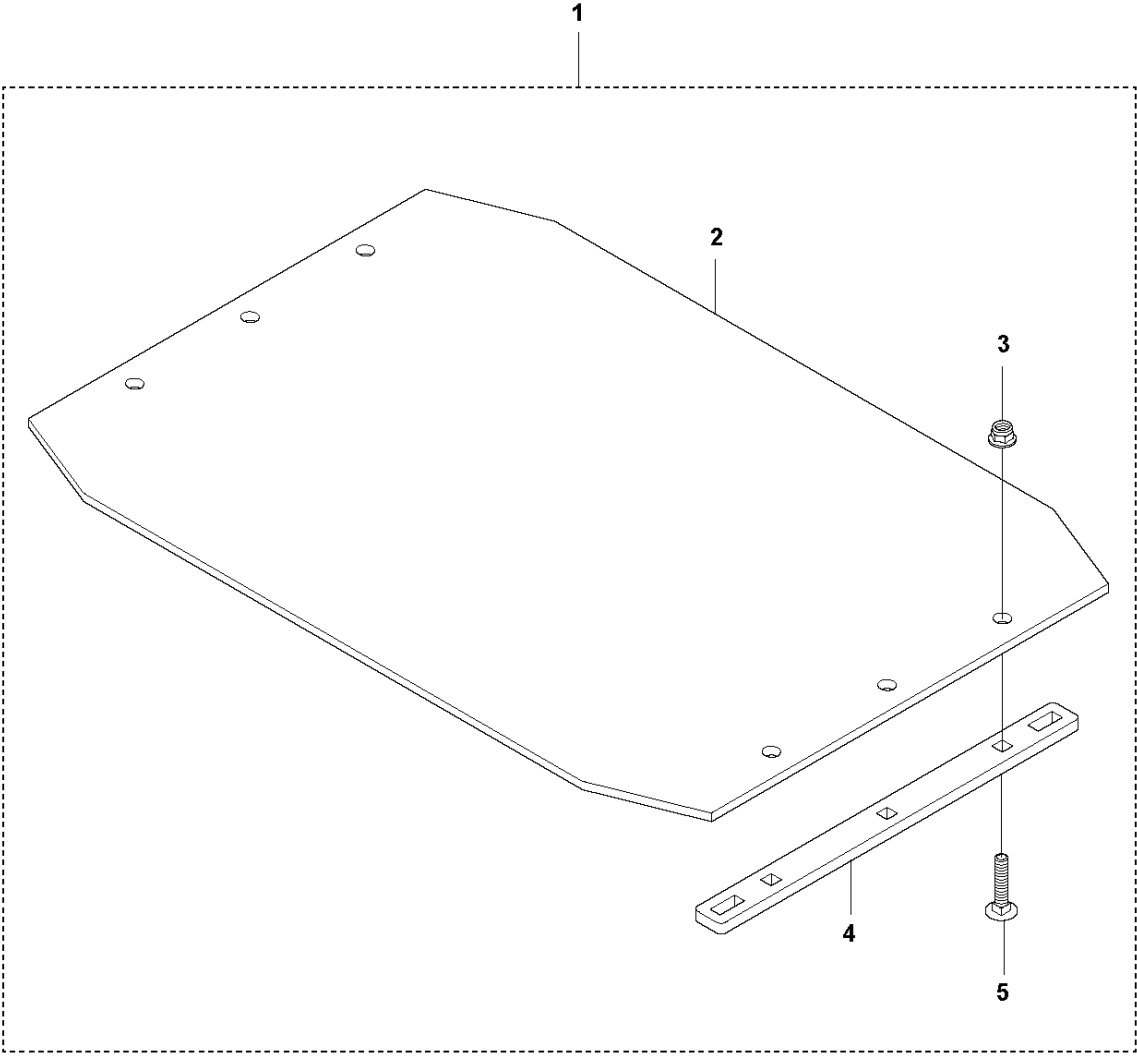
T LG 204
BLOCK PAVING PLATE KIT 510 MM (20. 1")



BLOCK PAVING PLATE KIT LG 204, 967855202, 967855206, 967855205, 967855207, 967855204, 967855203, 967855208, 967855201, 967855209, 2019-05

Ref	Part No	Description	Remark	QTY KIT	
1	594 82 58-01	BLOCK PAVING KIT	"Block paving plate kit 510 mm (20.1")"	1	
2	594 32 91-01	PLATE		1	1
3	595 06 47-01	LOCK NUT		4	1
4	594 44 73-01	BRACKET		2	1
5	597 27 47-01	BOLT		4	1

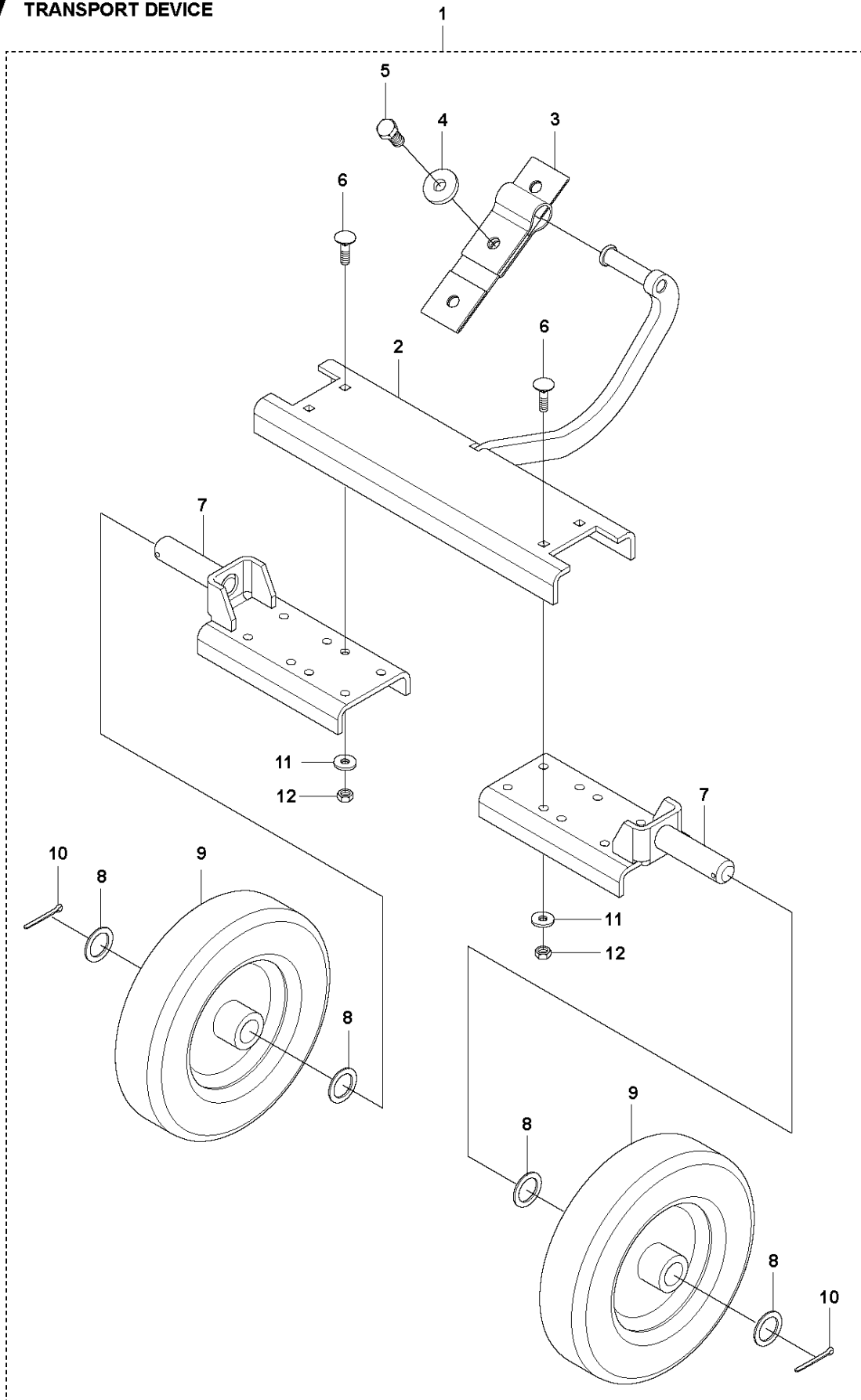
U LG 204
BLOCK PAVING PLATE KIT 600 MM (23. 6")



BLOCK PAVING PLATE KIT LG 204, 967855202, 967855206, 967855205, 967855207, 967855204, 967855203, 967855208, 967855201, 967855209, 2019-05

Ref	Part No	Description	Remark	QTY KIT	
1	594 75 96-01	BLOCK PAVING KIT	"Block paving plate kit 600 mm (23.6")"	1	
2	599 73 53-01	PLATE		1	1
3	595 06 47-01	LOCK NUT		4	1
4	594 44 73-01	BRACKET		2	1
5	597 27 47-01	BOLT		4	1

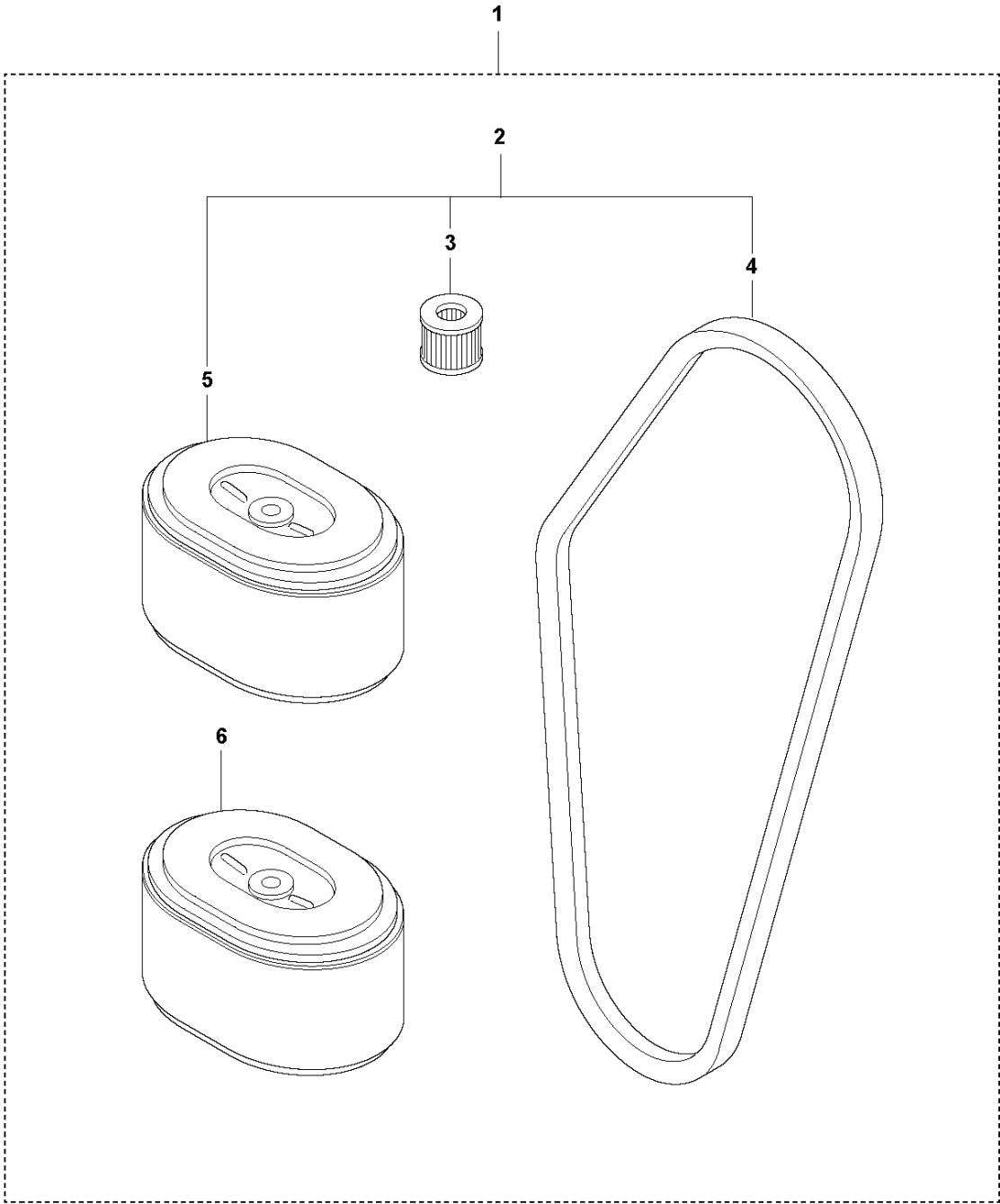
**V LG 204
TRANSPORT DEVICE**



TRANSPORT DEVICE LG 204, 967855202, 967855206, 967855205, 967855207, 967855204,
967855203, 967855208, 967855201, 967855209, 2019-05

Ref	Part No	Description	Remark	QTY KIT	
1	594 83 05-01	TRANSPORT	Complete	1	
2	594 48 64-01	UNIT		1	1
3	595 12 44-01	STRAP		1	1
4	594 12 40-01	WASHER		1	1
5	595 34 53-01	SCREW		1	1
6	595 11 19-01	SCREW		4	1
7	594 48 66-01	BRACKET		2	1
8	594 31 62-01	WASHER		4	1
9	594 45 58-01	WHEEL		2	1
10	595 34 35-01	PIN		2	1
11	594 12 34-01	WASHER	M08 8,4x22x3,0 300 HV	4	1
12	595 03 57-01	NUT		4	1

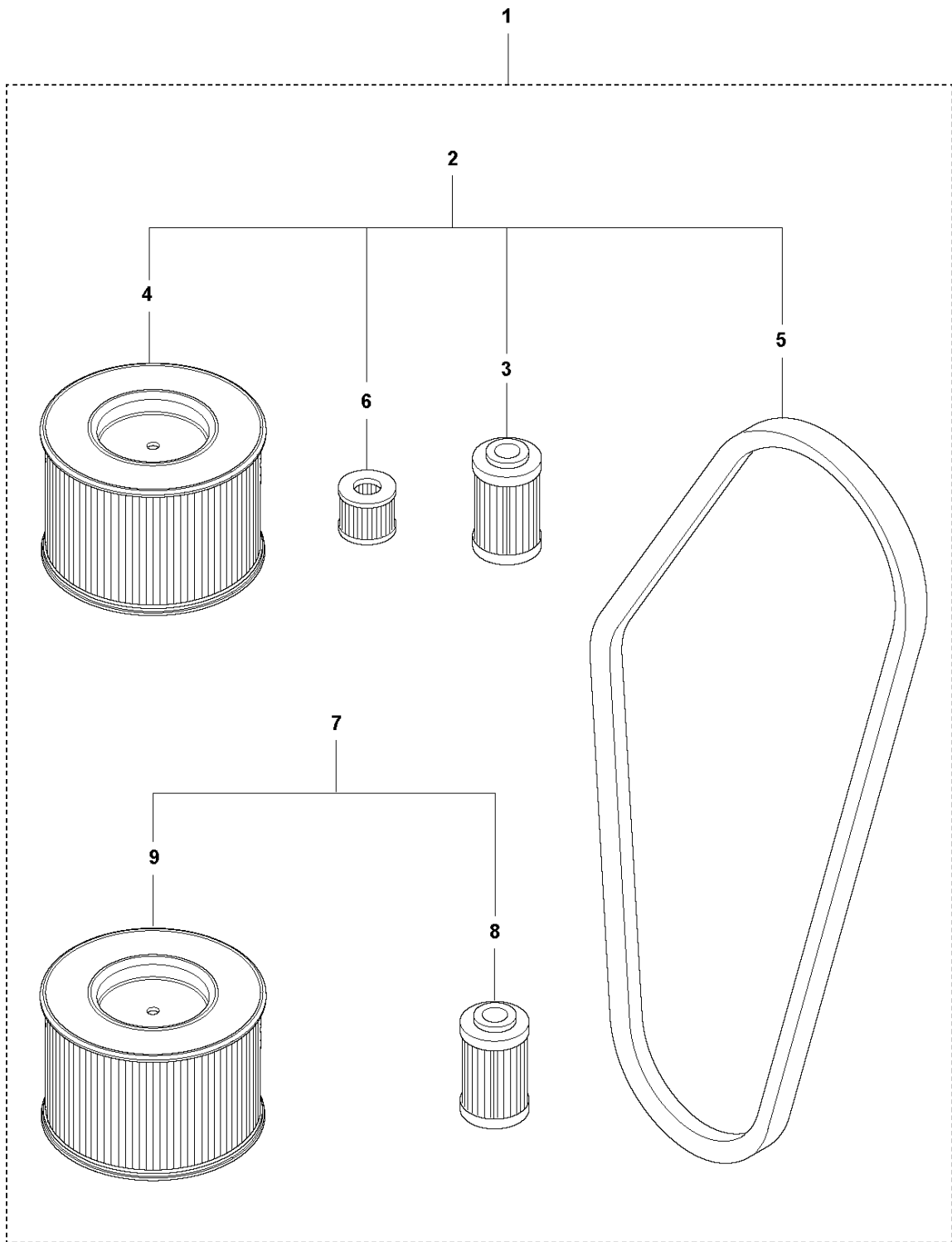
W LG 204
START UP KIT - HONDA



START UP KIT - HONDA LG 204, 967855202, 967855206, 967855205, 967855207, 967855204, 967855203, 967855208, 967855201, 967855209, 2019-05

Ref	Part No	Description	Remark	QTY KIT	
1	599 69 13-01	KIT	Start up kit - Honda	1	
2	599 71 20-01	SERVICE KIT	12 months / 500 hours service kit - Hatz	1	1
3	594 44 55-01	AIR FILTER		1	1, 2
4	594 33 28-01	BELT		1	1, 2
5	594 30 21-01	AIR FILTER		1	1, 2
6	594 30 21-01	AIR FILTER		1	1

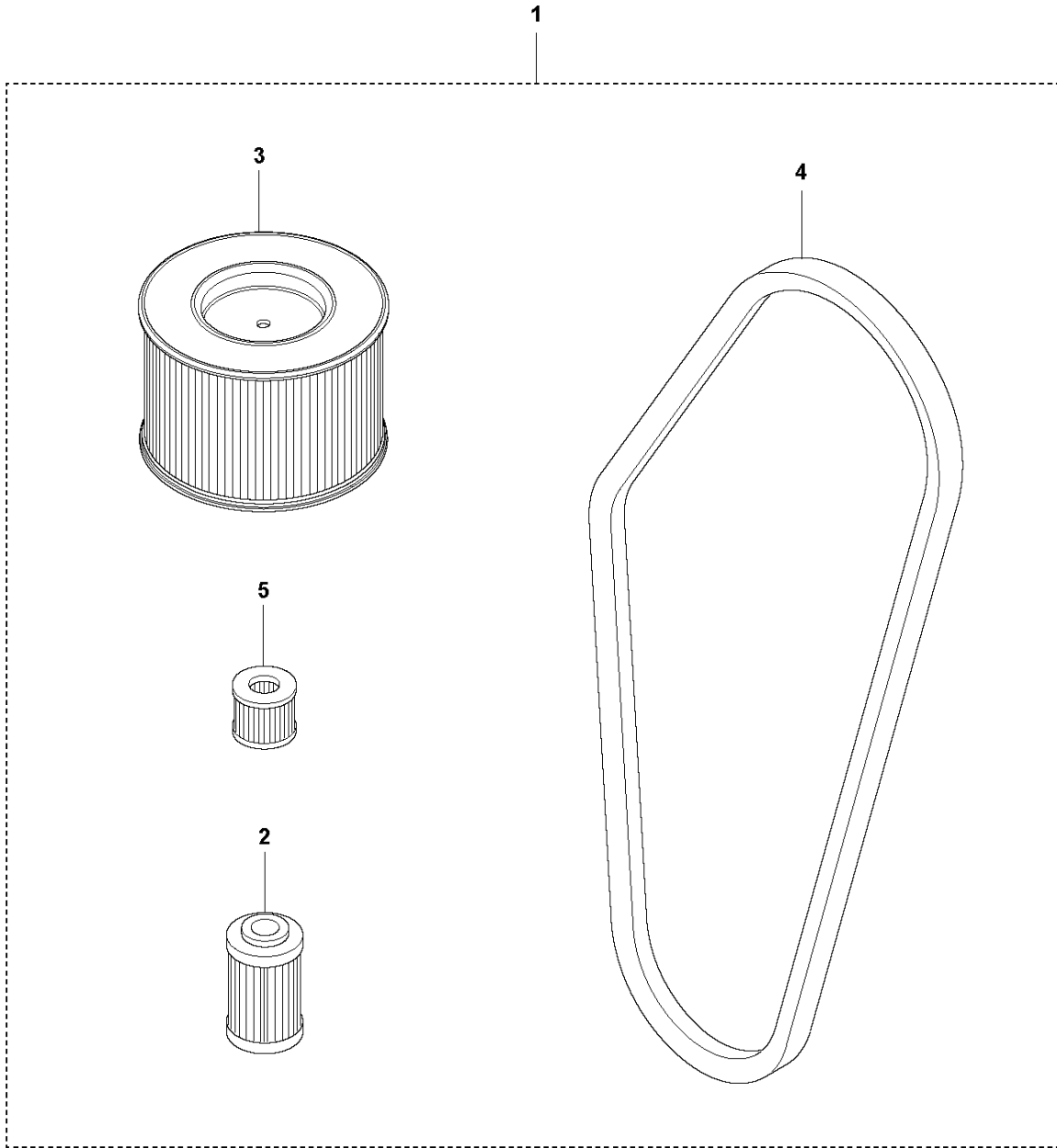
X LG 204
START UP KIT - HATZ



START UP KIT - HATZ LG 204, 967855202, 967855206, 967855205, 967855207, 967855204,
967855203, 967855208, 967855201, 967855209, 2019-05

Ref	Part No	Description	Remark	QTY	KIT
1	594 21 86-01	SERVICE KIT		1	
2	594 21 87-01	SERVICE KIT		1	1
3	595 37 74-01	FUEL FILTER		1	1, 2
4	595 37 73-01	FILTER		1	1, 2
5	594 33 27-01	BELT		1	1, 2
6	594 44 55-01	AIR FILTER		1	1, 2
7	594 21 46-01	SERVICE KIT		1	1
8	595 37 74-01	FUEL FILTER		1	1, 7
9	595 37 73-01	FILTER		1	1, 7

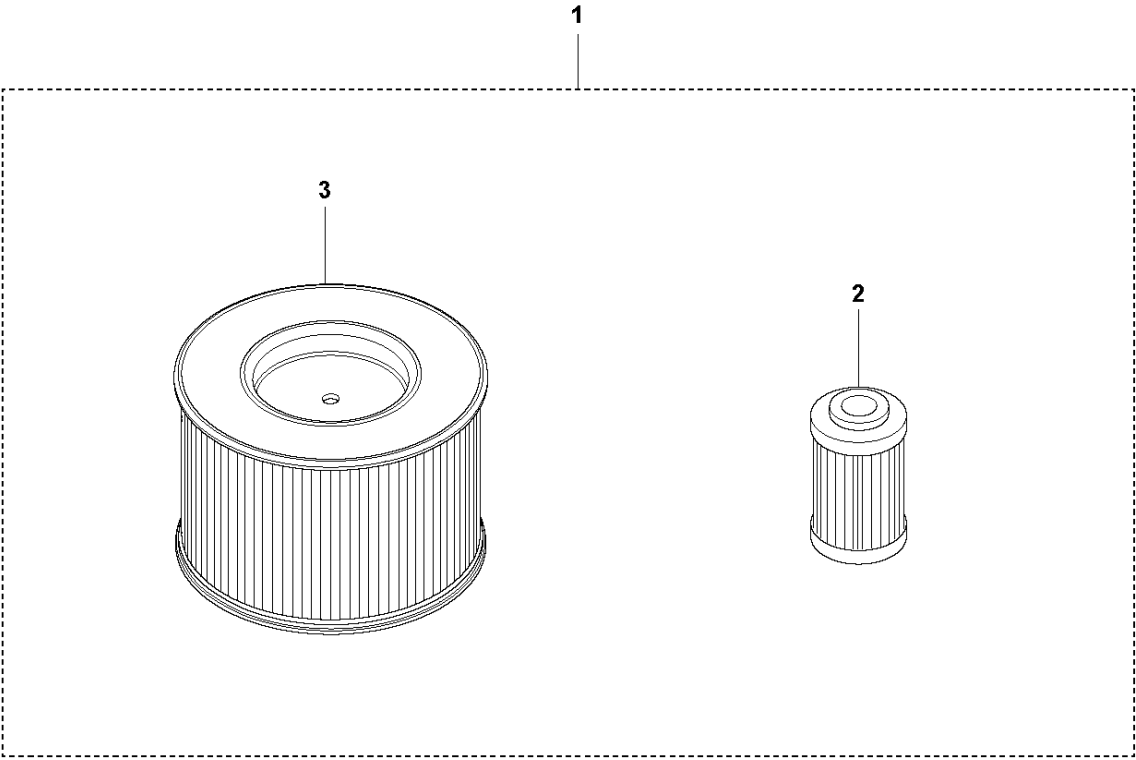
Y LG 204
12 MONTHS / 500 HOURS SERVICE KIT - HATZ



12 MONTHS / 500 HOURS SERVICE KIT - HATZ LG 204, 967855202, 967855206, 967855205,
967855207, 967855204, 967855203, 967855208, 967855201, 967855209, 2019-05

Ref	Part No	Description	Remark	QTY KIT	
1	594 21 87-01	SERVICE KIT		1	
2	595 37 74-01	FUEL FILTER		1	1
3	595 37 73-01	FILTER		1	1
4	594 33 27-01	BELT		1	1
5	594 44 55-01	AIR FILTER		1	1

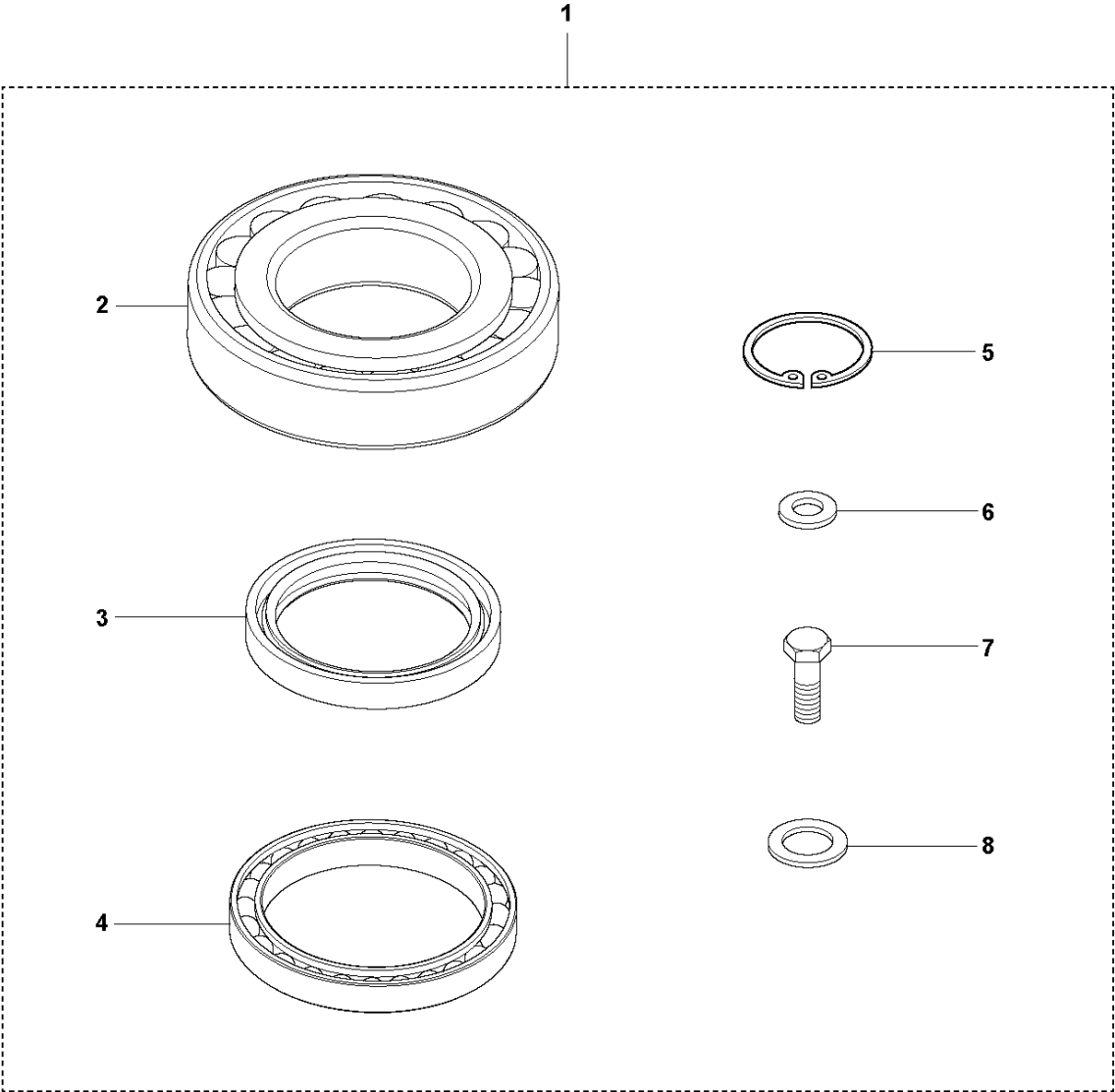
Z LG 204
6 MONTHS / EVERY 250 HOURS KIT - HATZ



6 MONTHS / 250 HOURS SERVICE KIT - HATZ LG 204, 967855202, 967855206, 967855205,
967855207, 967855204, 967855203, 967855208, 967855201, 967855209, 2019-05

Ref	Part No	Description	Remark	QTY	KIT
1	594 21 46-01	SERVICE KIT		1	
2	595 37 74-01	FUEL FILTER		1	1
3	595 37 73-01	FILTER		1	1

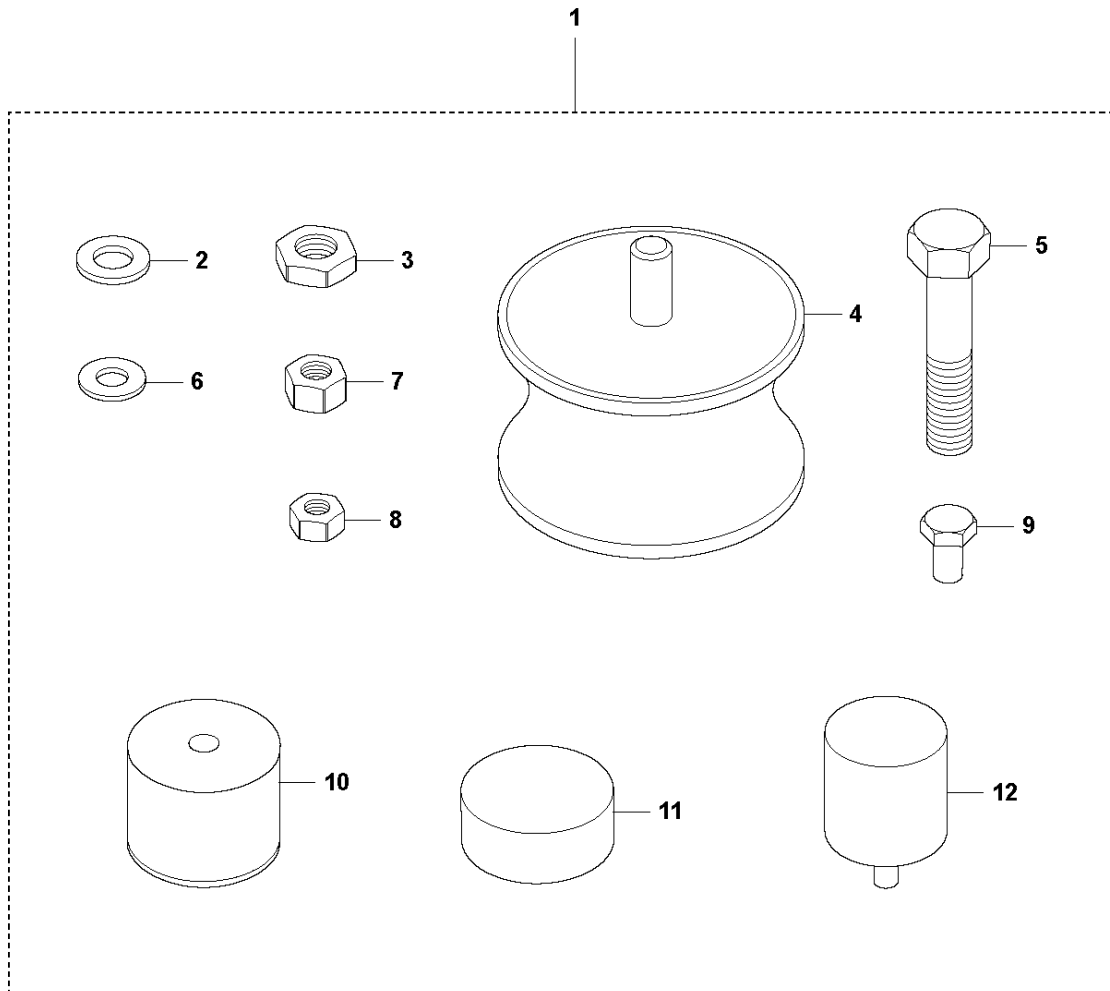
AA LG 204
ECCENTRIC ELEMENT REPAIR KIT



ECCENTRIC ELEMENT REPAIR KIT LG 204, 967855202, 967855206, 967855205, 967855207,
 967855204, 967855203, 967855208, 967855201, 967855209, 2019-05

Ref	Part No	Description	Remark	QTY KIT	
1	594 19 67-01	REPAIR KIT		1	
2	594 53 11-01	ROLLER BEARING		4	1
3	594 54 74-01	SEALING		1	1
4	594 55 05-01	BALL BEARING		2	1
5	595 04 60-01	RETAINER RING		1	1
6	595 03 65-01	PLANE WASHER		16	1
7	595 10 98-01	SCREW		16	1
8	594 51 21-01	WASHER		1	1

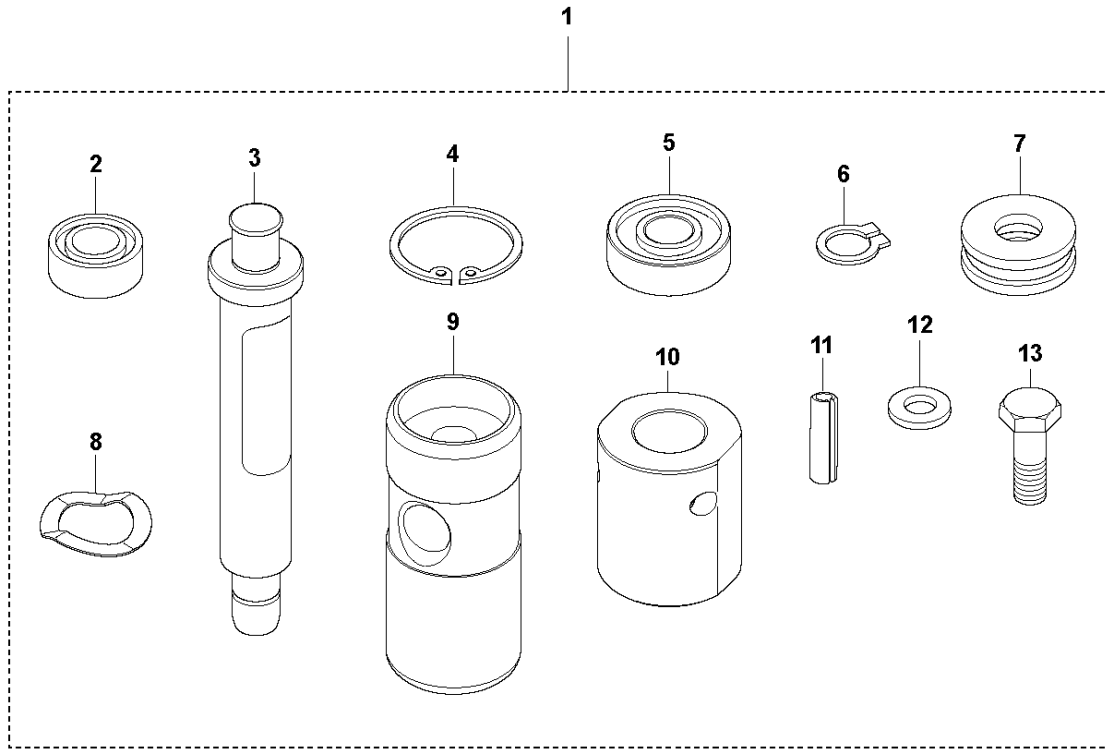
AB LG 204
SHOCK ABSORBER REPAIR KIT



SHOCK ABSORBER REPAIR KIT LG 204, 967855202, 967855206, 967855205, 967855207,
 967855204, 967855203, 967855208, 967855201, 967855209, 2019-05

Ref	Part No	Description	Remark	QTY KIT
1	594 19 61-01	REPAIR KIT		1
2	595 06 68-01	WASHER		8
3	595 02 94-01	NUT		1
4	594 32 70-01	ABSORBER		4
5	594 11 84-01	SCREW		1
6	594 74 74-01	WASHER		6
7	595 11 27-01	NUT		4
8	595 35 18-01	NUT		4
9	595 34 46-01	SCREW		8
10	594 14 75-01	ABSORBER		4
11	594 51 83-01	RADIATOR		1
12	594 46 27-01	ABSORBER		1

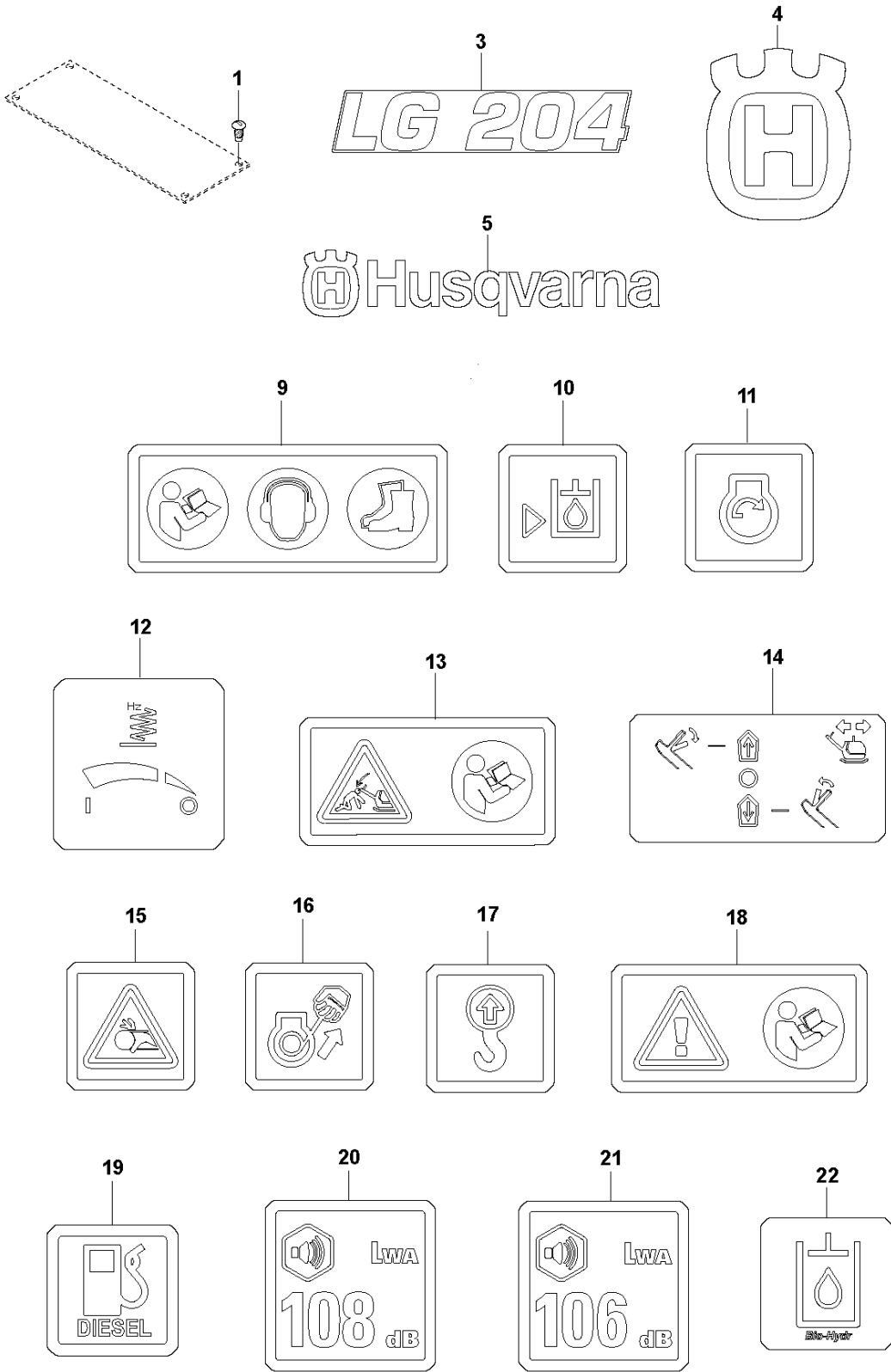
AC LG 204
FORWARD & REVERSE PISTON REPAIR KIT



FORWARD & REVERSE PISTON REPAIR KIT LG 204, 967855202, 967855206, 967855205,
 967855207, 967855204, 967855203, 967855208, 967855201, 967855209, 2019-05

Ref	Part No	Description	Remark	QTY KIT	
1	594 19 65-01	REPAIR KIT		1	
2	594 33 22-01	SEALING		1	1
3	594 64 33-01	PISTON ROD		1	1
4	594 26 64-01	RING		1	1
5	594 64 75-01	BALL BEARING		1	1
6	595 35 33-01	CIRCLIP		1	1
7	594 64 76-01	BALL BEARING	Thrust ball bearing	1	1
8	594 64 77-01	SPRING WASHER		1	1
9	594 64 35-01	PISTON		1	1
10	594 64 50-01	CAP		1	1
11	595 03 11-01	PIN	Ø6 x 20 mm DIN 1481	1	1
12	595 03 65-01	PLANE WASHER		4	1
13	595 10 98-01	SCREW		4	1

AD LG 204
DECALS



DECALS LG 204, 967855202, 967855206, 967855205, 967855207, 967855204, 967855203,
967855208, 967855201, 967855209, 2019-05

Ref	Part No	Description	Remark	QTY KIT
1	595 18 02-01	SCREW		4
3	595 09 53-01	DECAL		2
4	574 38 21-01	DECAL		1
5	577 46 90-01	DECAL		1
9	594 65 96-01	LABEL		1
10	595 51 28-01	LABEL		1
11	594 66 04-01	LABEL		1
12	594 66 10-01	LABEL		1
13	594 66 06-01	LABEL		1
14	594 66 07-01	LABEL		1
15	594 66 08-01	LABEL		1
16	594 86 96-01	LABEL		1
17	594 66 09-01	LABEL		1
18	594 86 97-01	LABEL		1
19	594 66 16-01	LABEL		1
20	595 21 63-01	DECAL		1
21	594 66 15-01	DECAL	40x40 mm	1
22	595 46 94-01	DECAL		1